

# KitchenAid® Hot Water Dispenser

## PRODUCT MODEL NUMBER

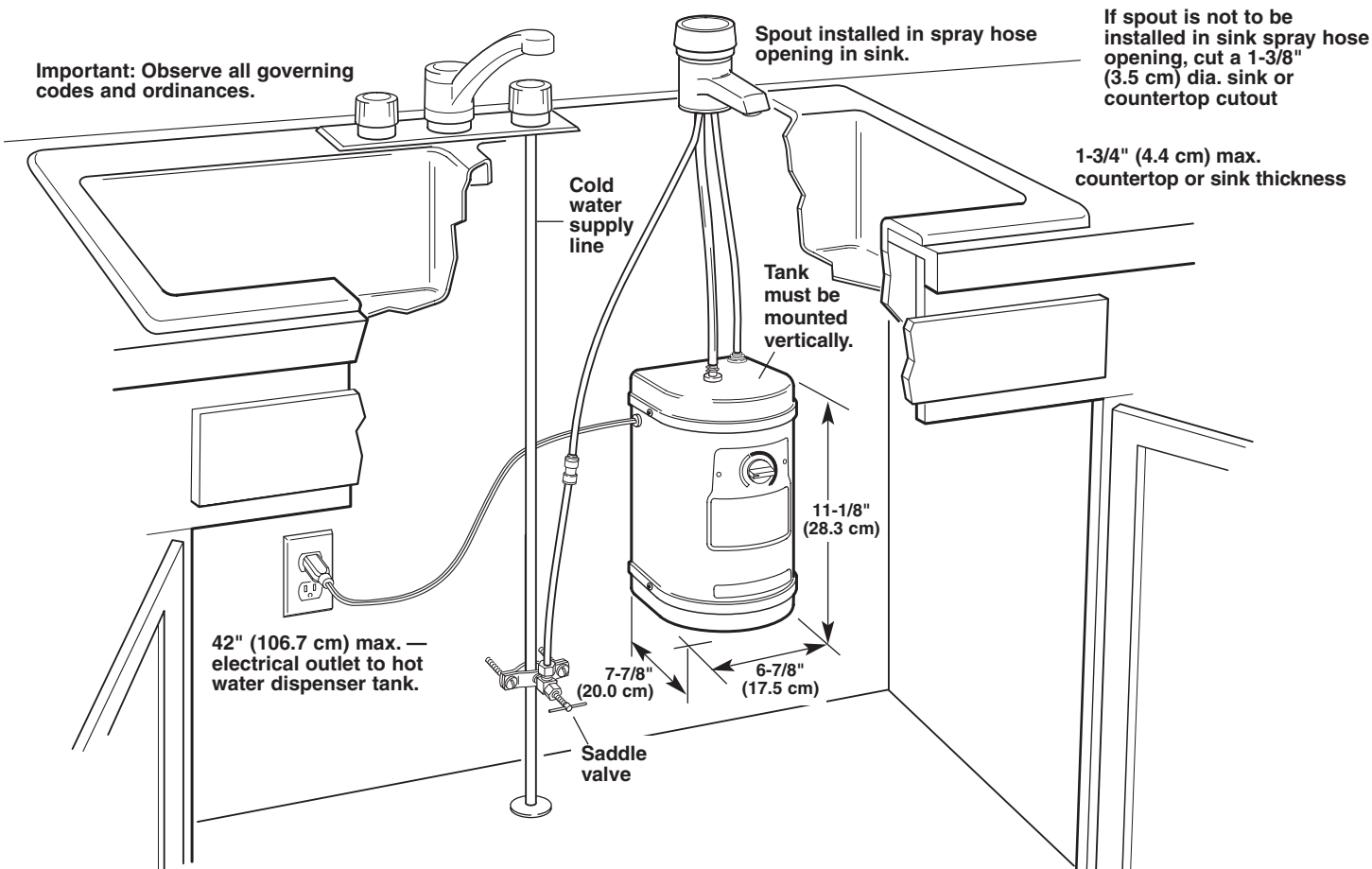
KHWC160P      KHWL160P  
KHWG160P

**Electrical:** A 120-volt, 60 Hz, AC-only 15 or 20 amp fused, grounded electrical supply is required. It is recommended that a separate circuit serving only your hot water dispenser be provided. Use an outlet that cannot be turned on/off by a switch.

**Water supply requirements:** If local codes permit, the hot water dispenser feed line should be connected to the cold water supply line using a saddle tapping valve.

Important: If local codes do not permit the use of saddle valves, special feed valves can be obtained from your local plumbing supply distributor. If a filter system is used, the water pressure to the dispenser should not drop below 20 psi (138 kPa).

## OVERALL DIMENSIONS



## Free Manuals Download Website

<http://myh66.com>

<http://usermanuals.us>

<http://www.somanuals.com>

<http://www.4manuals.cc>

<http://www.manual-lib.com>

<http://www.404manual.com>

<http://www.luxmanual.com>

<http://aubethermostatmanual.com>

Golf course search by state

<http://golfingnear.com>

Email search by domain

<http://emailbydomain.com>

Auto manuals search

<http://auto.somanuals.com>

TV manuals search

<http://tv.somanuals.com>