

# OWNER'S MANUAL 2010

**450 EXC USA**

**530 EXC USA**

Art. no. 3211468en



**KTM**



Congratulations on your decision to purchase a KTM motorcycle. You are now the owner of a state-of-the-art sports motorcycle that will give you enormous pleasure if you service and maintain it accordingly.

We wish you great pleasure riding the vehicle!

Enter the serial numbers of your vehicle below.

Chassis number (☛ p. 12)	Dealer's stamp
Engine number (☛ p. 12)	
Key number (☛ p. 12)	

The owner's manual corresponded to the latest state of this series at the time of printing. Slight deviations resulting from continuing development and design of our motorcycles can however not be completely excluded.

All specifications are non-binding. KTM Sportmotorcycle AG specifically reserves the right to modify or delete technical specifications, prices, colors, forms, materials, services, designs, equipment, etc., without prior notice and without specifying reasons, to adapt these to local conditions, as well as to stop production of a particular model without prior notice. KTM accepts no liability for delivery options, deviations from illustrations and descriptions, as well as misprints and other errors. The models portrayed partly contain special equipment that does not belong to the regular scope of delivery.

© 2009 by KTM-Sportmotorcycle AG, Mattighofen Austria

All rights reserved

Reproduction, even in part, is permitted only with the express written permission of the copyright owner.



ISO 9001(12 100 6061)

According to the international quality management standard ISO 9001, KTM uses quality assurance processes that lead to the maximum possible quality of the products.

Issued by: TÜV Management Service

REG.NO. 12 100 6061





KTM-Sportmotorcycle AG  
5230 Mattighofen, Austria

MEANS OF REPRESENTATION .....	4	Preparing for rides at high temperature and slow speed .....	30
IMPORTANT INFORMATION .....	5	Preparing for rides at low temperatures or in snow .....	30
Overview of labels.....	6	RIDING INSTRUCTIONS .....	31
VIEW OF VEHICLE.....	10	Checks before putting into operation .....	31
View of the vehicle from the left front (example) .....	10	Starting .....	31
View of the vehicle from the right rear (example) .....	11	Starting up .....	32
LOCATION OF SERIAL NUMBERS .....	12	Shifting, riding.....	32
Chassis number.....	12	Braking .....	32
Type label.....	12	Stopping, parking.....	33
Key number .....	12	Refueling.....	33
Engine number.....	12	SERVICE SCHEDULE.....	35
Fork part number.....	13	Important maintenance work to be carried out by an authorized KTM workshop. ....	35
Shock absorber part number .....	13	Important maintenance work to be carried out by an authorized KTM workshop. (as additional order).....	36
CONTROLS .....	14	Important checks and maintenance work to be carried out by the rider .....	37
Clutch lever .....	14	MAINTENANCE WORK ON CHASSIS AND ENGINE.....	38
Hand brake lever .....	14	Jacking up the motorcycle.....	38
Emergency OFF switch.....	14	Removing the motorcycle from the work stand.....	38
Ignition switch .....	14	Checking the basic suspension setting with the rider's weight .....	38
Electric starter button .....	14	Compression damping of shock absorber.....	38
Light switch .....	15	Adjusting the high-speed compression damping of the shock absorber .....	38
Highlight flasher button .....	15	Adjusting the low-speed compression damping of the shock absorber .....	39
Horn button .....	15	Adjusting rebound damping of the shock absorber .....	39
Flasher switch.....	15	Measuring rear wheel sag unloaded .....	40
Overview of indicator lamps .....	15	Checking static sag of shock absorber.....	40
Speedometer.....	16	Checking riding sag of shock absorber .....	41
Speedometer activation and test .....	16	Adjusting spring preload of the shock absorber 🖱 .....	41
Tripmaster switch .....	16	Adjusting riding sag 🖱 .....	42
setting kilometers or miles.....	16	Removing the shock absorber 🖱 .....	42
Setting the clock.....	17	Installing the shock absorber 🖱 .....	42
Adjusting the speedometer functions.....	17	Checking basic setting of fork .....	43
Querying the lap time .....	18	Adjusting the compression damping of the fork .....	43
Display mode SPEED (speed) .....	18	Adjusting rebound damping of fork.....	43
Display mode SPEED/H (service hours).....	18	Adjusting spring preload of the fork.....	44
Display mode SPEED/CLK (clock) .....	19	Bleeding fork legs.....	44
Display mode SPEED/LAP (lap time) .....	19	Cleaning the dust boots of the fork legs .....	44
Display mode SPEED/ODO (odometer).....	19	Loosening the fork protector .....	45
Display mode SPEED/TR1 (trip master 1) .....	19	Positioning the fork protector.....	45
Display mode SPEED/TR2 (trip master 2) .....	20	Checking steering head bearing play.....	45
Display mode SPEED/A1 (average speed 1).....	20	Adjusting play of steering head bearing 🖱 .....	46
Display mode SPEED/A2 (average speed 2).....	20	Removing the fork legs 🖱 .....	46
Display mode SPEED/S1 (stop watch 1) .....	21	Installing fork legs 🖱 .....	46
Display mode SPEED/S2 (stop watch 2) .....	21	Removing the fork protector 🖱 .....	47
Fuel tap.....	22	Installing the fork protector 🖱 .....	47
Opening filler cap.....	22	Removing the lower triple clamp 🖱 .....	47
Closing filler cap .....	22	Installing the lower triple clamp 🖱 .....	48
Choke.....	23	Greasing the steering head bearing 🖱 .....	49
Shift lever.....	23	Removing the front fender.....	49
Foot brake lever.....	23	Installing the front fender.....	49
Kick starter .....	23	Removing headlight mask with headlight .....	49
Side stand .....	24	Refitting the headlight mask with the headlight.....	50
Steering lock.....	24	Handlebar position .....	50
Locking the steering .....	24	Adjusting the handlebar position 🖱 .....	50
Unlocking the steering .....	25	Checking throttle cable route.....	51
GENERAL TIPS AND HINTS ON PUTTING INTO OPERATION.....	26	Checking the play in the throttle cable.....	51
Advice on first use.....	26	Adjusting the play in the throttle cable 🖱 .....	51
Running-in the engine .....	27	Checking for chain dirt accumulation .....	52
Preparing vehicle for arduous riding conditions.....	27		
Preparing for riding on dry sand .....	27		
Preparing for riding on wet sand.....	28		
Preparing for riding on wet and muddy surfaces.....	29		

Cleaning the chain.....	52	Checking engine oil level.....	81
Checking the chain tension .....	52	Changing engine oil and oil filter, cleaning engine oil screen 🛠️.....	82
Checking chain tension when fitting rear wheel .....	53	Draining engine oil, cleaning engine oil screen 🛠️.....	82
Checking the rear sprocket/engine sprocket for wear .....	53	Removing the oil filter 🛠️.....	82
Checking chain wear.....	53	Installing the oil filter 🛠️.....	83
Adjusting chain tension.....	54	Filling up with engine oil 🛠️.....	83
Adjusting chain tension - after checking .....	55	Topping up engine oil .....	84
Adjusting chain tension - fitting rear wheel .....	55	Checking the gear oil level.....	84
Adjusting chain guide 🛠️.....	56	Changing gear oil, cleaning gear oil screen 🛠️.....	84
Checking brake discs .....	56	Draining gear oil, cleaning gear oil screen 🛠️.....	85
Checking free travel of hand brake lever.....	56	Filling up with gear oil 🛠️.....	85
Adjusting free travel of hand brake lever .....	57	Adding gear oil 🛠️.....	86
Checking the brake fluid level of the front brake .....	57	TROUBLESHOOTING.....	87
Topping up the front brake fluid 🛠️.....	57	CLEANING.....	89
Checking the front brake linings.....	58	Cleaning the motorcycle.....	89
Changing the front brake linings 🛠️.....	59	STORAGE .....	90
Checking the free travel of the foot brake lever .....	60	Storage.....	90
Adjusting the basic position of the foot brake lever 🛠️.....	60	Putting into operation after storage .....	90
Checking rear brake fluid level.....	61	TECHNICAL DATA - ENGINE.....	91
Adding brake fluid to the rear brake circuit 🛠️.....	61	Capacity - engine oil .....	91
Checking rear brake linings .....	62	Capacity - gear oil.....	91
Changing rear brake linings 🛠️.....	62	Capacity - coolant.....	92
Removing front wheel 🛠️.....	64	TECHNICAL DATA - ENGINE TIGHTENING TORQUES.....	93
Installing the front wheel 🛠️.....	65	TECHNICAL DATA - CARBURETOR.....	95
Removing the rear wheel 🛠️.....	65	450 EXC USA .....	95
Installing the rear wheel 🛠️.....	66	530 EXC USA .....	95
Tire condition checking.....	67	TECHNICAL DATA - CHASSIS .....	96
Checking tire air pressure.....	67	Lighting equipment .....	96
Checking spoke tension.....	68	Tires .....	97
Removing the battery 🛠️.....	68	Capacity - fuel.....	97
Installing the battery 🛠️.....	69	TECHNICAL DATA - FORK.....	98
Recharging the battery 🛠️.....	69	TECHNICAL DATA - SHOCK ABSORBER .....	99
Removing a fuse.....	70	TECHNICAL DATA - CHASSIS TIGHTENING TORQUES .....	100
Installing the fuse .....	70	WIRING DIAGRAM .....	102
Checking the headlight adjustment .....	70	Wiring diagram.....	102
Adjusting the beam width of the headlight .....	71	SUBSTANCES.....	105
Removing the seat.....	71	AUXILIARY SUBSTANCES.....	107
Mounting the seat .....	71	STANDARDS.....	109
Removing the fuel tank 🛠️.....	71	INDEX.....	110
Installing the fuel tank 🛠️.....	72		
Cooling system.....	73		
Checking the anti-freeze and coolant level .....	73		
Checking the coolant level.....	74		
Draining coolant 🛠️.....	74		
Refilling coolant 🛠️.....	75		
Glass fiber yarn filling of main silencer .....	75		
Removing main silencer .....	75		
Installing the main silencer .....	76		
Removing the air filter box lid.....	76		
Installing the air filter box lid.....	76		
Removing the air filter 🛠️.....	76		
Installing the air filter 🛠️.....	77		
Cleaning air filter 🛠️.....	77		
Adjusting basic position of clutch lever.....	77		
Checking the fluid level of hydraulic clutch.....	78		
Changing the hydraulic clutch fluid 🛠️.....	78		
Checking the basic position of the shift lever.....	79		
Adjusting the basic position of the shift lever 🛠️.....	79		
Carburetor - idle.....	80		
Carburetor - adjusting idle 🛠️.....	80		
Emptying the carburetor float chamber 🛠️.....	81		

## Symbols used

The symbols used are explained in the following.

- 
- |  |   |
|--|---|
|  | Indicates an expected reaction (e.g. of a work step or a function).   |
|  | Indicates an unexpected reaction (e.g. of a work step or a function).   |
|  | All work marked with this symbol requires specialist knowledge and technical understanding. In the interest of your own safety, have these jobs done in an authorized KTM workshop! There, your motorcycle will be serviced optimally by specially trained experts using the specialist tools required. |
|  | Identifies a page reference (more information is provided on the specified page).   |
- 

## Formats used

The typographical and other formats used are explained below.

- 
- |                          |   |
|--------------------------|---|
| <b>Proprietary name</b>  | Denotes a proprietary name.                   |
| <b>Name<sup>®</sup></b>  | Denotes a protected name.                     |
| <b>Brand<sup>™</sup></b> | Denotes a brand available on the open market. |
-

## Use definition

KTM sport motorcycles are designed and built to withstand the normal stresses and strains of competitive use. The motorcycles comply with currently valid regulations and categories of the top international motorsport organizations.

### **i** Info

The motorcycle is authorized for use on public roads in the homologated (reduced) version only. In the derestricted version, the motorcycle must be used only on closed off properties remote from public road traffic. The motorcycle is designed for off-road sport endurance competition (Enduro) and not for the predominant motocross use.

## Maintenance

A prerequisite for trouble free operation and avoiding premature wear is that the engine and suspension are maintained and adjusted as described in this manual. Poor adjustment and tuning of the engine and suspension can lead to damage and breakage of components.

Using a motorcycle in difficult conditions such as on sand or very wet and muddy ground can lead to excessive wear of components such as the power train or brakes. For this reason, it may be necessary to service or replace worn parts before the limit specified in the service schedule is reached.

Pay careful attention to the prescribed running-in period, inspection and maintenance intervals. Observing these rules will vastly increase the service life of your motorcycle.

## Warranty

The work prescribed in the service schedule must be carried out by an authorized KTM workshop only and confirmed in the customer's service record; otherwise, all warranty claims will be void. No warranty claim can be honored for damage resulting from manipulation and/or other changes to the vehicle.

## Fuel, oils, etc.

You should use the fuels, oils and greases according to specifications as listed in the owner's manual.

## Spare parts, accessories

For your own safety, only use spare parts and accessory products that have been approved and/or recommended by KTM and have them installed by an authorized KTM workshop. KTM accepts no liability for other products and any resulting damage or loss. Some spare parts and accessories are specified in brackets in the respective descriptions. Your KTM dealer will be happy to advise you.

You will find the current **KTM PowerParts** for your vehicle on the KTM website.  
International KTM Website: <http://www.ktm.com>

## Work rules

Special tools are necessary for some of the work. These are not included with the vehicle and can be ordered under the number in parentheses. Ex: valve spring compressor (59029019000)

During assembly, non-reusable parts (e.g. self-locking screws and nuts, seals and seal rings, O-rings, pins, lock washers) must be replaced by new parts.

If thread lock (e.g. **Loctite®**) is used for screw connections, be sure to comply with the manufacturer's specific instructions on its usage.

Parts that you want to reuse following repairs and servicing should be cleaned and checked for damage and wear. Change damaged or worn parts.

Following repairs or servicing, the vehicle must be checked for roadworthiness.

## Transport

### Note

**Danger of damage** The parked vehicle may roll away or fall over.

- Always place the vehicle on a firm and even surface.

### Note

**Fire hazard** Some vehicle components become very hot when the vehicle is operated.

- Do not park the vehicle near flammable or explosive substances. Do not place objects on the vehicle while it is still warm from being run. Always let the vehicle cool first.

- Switch off engine.

- Turn handle ❶ of the fuel tap to the **OFF** position. (Figure 500137-10 p. 22)
- Use straps or other suitable devices to secure the motorcycle against accidents or falling over.

## Environment

Motorcycling is a wonderful sport and we naturally hope that you can enjoy it to the full. However, it is a potential problem for the environment and can lead to conflicts with other persons. But if you use your motorcycle responsibly, you can ensure that such problems and conflicts do not have to occur. To protect the future of motorcycle sport, make sure that you use your motorcycle legally, display environmental consciousness, and respect the rights of others.

## Overview of labels



300401-10

1	Type label for Canada
2	Type label for the USA
3	Fuel evaporative system information
4	Chain tension information
5	Information on putting into operation
6	Emission control information
7	Noise emission information

MANUFACTURED BY/FABRIQUÉ PAR: <b>KTM SPORTMOTORCYCLE AG</b>			
GVWR/PNBV: 335 KG		DATE:	
V.I.N./N.I.V.: <b>VBKXXXXXXMXXXXXX</b>			
TYPE: <b>MC</b>			
GAWR/PNBE		TIRE/PNEU-DIMENSION-RIM/JANTE	
		COLD INFL. PRESS. PRESS. DE GONFL. À FROID	
		PSI/LPC KPA	
1st	145 KG	90/90-21 1.60-21	22 150
2nd	190 KG	140/80-18 2.15-18	29 200
THIS VEHICLE CONFORMS TO ALL APPLICABLE STANDARDS PRESCRIBED UNDER THE CANADIAN SAFETY REGULATIONS IN EFFECT ON THE DATE OF MANUFACTURE - CE VÉHICULE EST CONFORME À TOUTES LES NORMES QUI LUI SONT APPLICABLES EN VERTU DU RÉGLEMENT SUR LA SÉCURITÉ DES VÉHICULES AUTOMOBILES DU CANADA EN VIGUEUR À LA DATE DE SA FABRICATION			

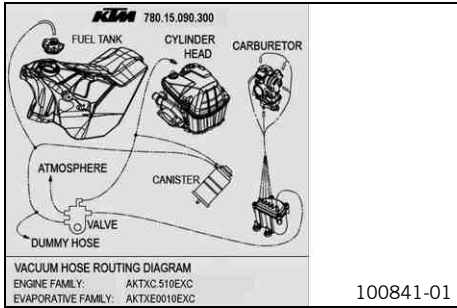
500250-01

Type label for Canada

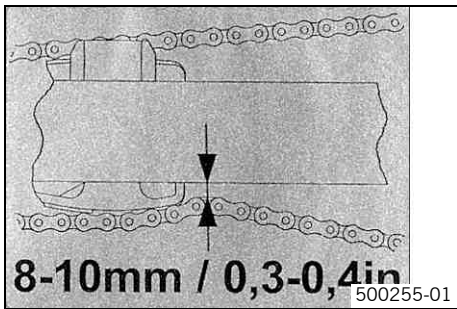


<b>KTM</b> SPORTMOTORCYCLES	MFD. BY KTM SPORTMOTORCYCLE AG AUSTRIA		MOTORCYCLE	DATE
	GWR	739 lbs	335 kg	
GAWR FRONT	320 lbs	145 kg	WITH 90/90-21 TIRE, 54M TYPE, 1,60-21 RIM, AT 22 psi 1.5 bar COLD	
GAWR REAR	419 lbs	190 kg	WITH 140/80-18 TIRE, 65M TYPE, 2,15-18 RIM, AT 29 psi 2.0 bar COLD	
THIS VEHICLE CONFORMS TO ALL APPLICABLE U.S. FEDERAL MOTOR VEHICLE SAFETY STANDARDS IN EFFECT ON THE DATE OF MANUFACTURE SHOWN ABOVE.				
VBKXXXXXXXXMXXXXXX				500251-01

Type label for the USA



Fuel evaporative system information



Chain tension information

**ACHTUNG**  
Lesen Sie vor der ersten Inbetriebnahme des Motorrades die gesamte Bedienungsanleitung aufmerksam durch!

**IMPORTANT**  
Before you go for the first ride on your motorbike, read the entire User's Guide carefully!

**ATTENZIONE**  
Prima della prima messa in servizio del motociclo, leggere attentamente l'intero manuale d'uso.

**ATTENTION**  
Il convient de lire attentivement tout le manuel d'utilisation avant la première mise en service!

**ATENCIÓN**  
Leer atentamente todas las instrucciones para el servicio antes de la primera puesta en marcha de la motocicla

700210-01

Information on putting into operation

<b>KTM</b> MANUFACTURER: KTM SPORTMOTORCYCLE AG - Mattighofen, Austria IMPORTER: KTM NORTH AMERICA, INC. - 1119 Millan Ave, Amherst, OH 44001	
ENGINE DISPLACEMENT: 448 cc	ENGINE EXHAUST EMISSION CONTROL SYSTEM: EM
ENGINE FAMILY: AKTXC520EXC	PERMEATION FAMILY: AKTXPP104RK1
MODEL NAME: 460 EXC	
THIS VEHICLE CONFORMS WITH US EPA AND CALIFORNIA REGULATIONS APPLICABLE TO 20XX MODEL YEAR NEW MOTORCYCLES AND IS CERTIFIED TO 0.8 G/KM HC+NOX, 12.0 G/KM CO EXHAUST EMISSION STANDARD IN CALIFORNIA.	
ENGINE TUNEUP SPECIFICATIONS:	
IGNITION TIMING:	NON ADJUSTABLE
IDLE SPEED:	1500 +/- 50 RPM IN NEUTRAL
IDLE MIXTURE:	NON ADJUSTABLE
VALVE CLEARANCE:	0.10 - 0.15 INTAKE & EXHAUST
SPARK PLUG:	NGK LKAR8A9
SPARK PLUG GAP:	0.9 mm
FUEL:	UNLEADED GASOLINE ONLY - 91 (R+M)/2 OCTANE OR HIGHER
OIL:	SAE 10 W 50
V.I.N.: VBKXXXXXXXXMXXXXXX	DATE OF MANUFACTURE: XXXXXXXX

100840-01

Emission control information

<b>MOTORCYCLE NOISE EMISSION CONTROL INFORMATION</b> <b>KTM SPORTMOTORCYCLE AG, AUSTRIA</b>	
THIS 20XXKTM0780449 MOTORCYCLE 780.05.082.100 MEETS U.S. EPA NOISE EMISSION REQUIREMENTS OF 80 dBA AT 6212 RPM BY THE U.S. FEDERAL TEST PROCEDURE. MODIFICATIONS WHICH CAUSE THIS MOTORCYCLE TO EXCEED FEDERAL NOISE STANDARDS ARE PROHIBITED BY U.S. FEDERAL LAW. SEE OWNER'S MANUAL.	
<b>Motorcycle Type :</b> 450 EXC	<b>Date manufactured :</b> XXXXXX <b>VIN. :</b> VBKXXXXXXXXMXXXXXX    100839-01

Noise emission information

## Notes/warnings

Pay close attention to the notes/warnings.

**i Info**  
 Various information and warning labels are affixed to the vehicle. Do not remove information/warning labels. If they are missing, you or others may not recognize potential hazards and may therefore be injured.

## Grades of risks

**⚠ Danger**  
 Identifies a danger that will immediately and invariably lead to fatal or serious permanent injury if the appropriate measures are not taken.

**⚠ Warning**  
 Identifies a danger that is likely to lead to fatal or serious injury if the appropriate measures are not taken.

**Note**  
 Identifies a danger that will lead to considerable machine and material damage if the appropriate measures are not taken.

**☀ Warning**  
 Identifies a danger that will lead to environmental damage if the appropriate measures are not taken.

## Owner's manual

- It is important that you read this owner's manual carefully and completely before making your first trip. It contains useful information and many tips on how to operate and handle your motorcycle. Only then will you find out how to best customize the motorcycle for your own use and how you can protect yourself from injury. The owner's manual also contains important information on servicing the motorcycle.
- The owner's manual is an important component of the motorcycle and should be handed over to the new owner if the vehicle is sold.

## Reporting of safety defects

If you believe that your vehicle has a defect which could cause a crash or could cause injury or death, you should immediately inform the National Highway Traffic Safety Administration (NHTSA) in addition to notifying KTM North America, Inc. If NHTSA receives similar complaints, it may open an investigation. If it finds that a safety defect exists in a group of vehicles, it may order a recall and remedy campaign. However, NHTSA cannot become involved in individual problems between you, your dealer, or KTM North America, Inc.

To contact NHTSA, you may either call the Vehicle Safety Hotline toll-free at 1-888-327-4236; or visit [www.nhtsa.dot.gov](http://www.nhtsa.dot.gov); or write to: NHTSA Headquarters, 1200 New Jersey Avenue, SE, West Building, Washington, DC 20590, USA. You can also obtain other information about motor vehicle safety from the Hotline.

## Noise emission warranty

KTM Sportmotorcycle AG warrants that this exhaust system, at the time of sale, meets all applicable U.S. EPA Federal noise standards.

This warranty extends to the first person who buys this exhaust system for purposes other than resale, and to all subsequent buyers. Warranty claims should be directed to:

KTM North America, Inc., Customer Support, 1119 Milan Ave., Amherst, OH 44001, USA  
 Telefon: (440) 985-3553  
[www.ktmusa.com](http://www.ktmusa.com)

KTM Canada, Inc., Customer Support, 1375-1 Marie-Victorin, Saint-Bruno, QC J3V 6B7  
 Phone: (450) 441-4451 x 4250  
[www.ktmcanada.com](http://www.ktmcanada.com)

## **Tampering warning**

Tampering with the noise control system is prohibited. Federal law prohibits the following acts or the causing thereof:

- 1 The removal or rendering inoperative by any person, other than for purposes of maintenance, repair, or replacement, of any device or element of design incorporated into any new vehicle for the purpose of noise control prior to its sale or delivery to the ultimate purchaser or while it is in use; or
- 2 The use of the vehicle after such device or element of design has been removed or rendered inoperative by any person.

Among those acts presumed to constitute tampering are the acts listed below:

- 1 Removal of, or puncturing the muffler, baffles, header pipes or any other components which conducts exhaust gases.
- 2 Removal or puncturing of any part of the intake system.
- 3 Lack of proper maintenance.
- 4 Replacement of any moving parts of the vehicle, or parts of the exhaust or intake system, with parts other than those specified by the manufacturer.

## **Operating noise warning**

This product should be checked for repair or replacement if the motorcycle noise has increased significantly through use. Otherwise, the owner may become subject to penalties under state and local ordinances.

## **Consumer rights**

Warranty claims should be submitted to a KTM workshop. If you are not satisfied, please contact:

KTM North America, Inc., Customer Support, 1119 Milan Ave., Amherst, OH 44001, USA

Telefon: (440) 985-3553

[www.ktmusa.com](http://www.ktmusa.com)

KTM Canada, Inc., Customer Support, 1375-1 Marie-Victorin, Saint-Bruno, QC J3V 6B7

Phone: (450) 441-4451 x 4250

[www.ktmcanada.com](http://www.ktmcanada.com)

Different rights may apply, according to national or regional legislation.

## View of the vehicle from the left front (example)



300399-10

- |   |   |
|---|---|
| 1 | Side stand  |
| 2 | Shift lever   |
| 3 | Chain guide   |
| 4 | Fuel tap  |
| 5 | Air filter box lid  |
| 6 | Clutch lever  |
| 7 | Light switch, headlight flasher button, flasher switch, horn button |
| 8 | Hand brake lever  |

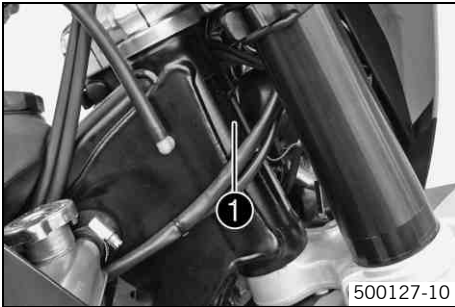
## View of the vehicle from the right rear (example)



300398-10

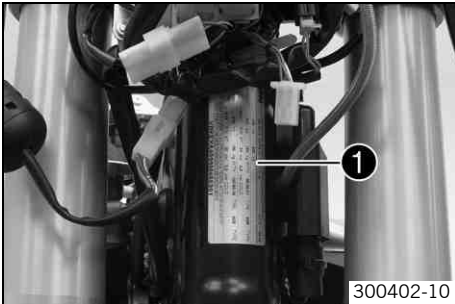
- |    |                                       |
|----|---------------------------------------|
| 1  | Level viewer for brake fluid, rear    |
| 2  | Fork compression adjustment           |
| 3  | Foot brake pedal                      |
| 4  | Kickstarter                           |
| 5  | Horn                                  |
| 6  | Ignition switch                       |
| 7  | Fork rebound adjustment               |
| 8  | Filler cap                            |
| 9  | Shock absorber compression adjustment |
| 10 | Shock absorber rebound adjustment     |

## Chassis number

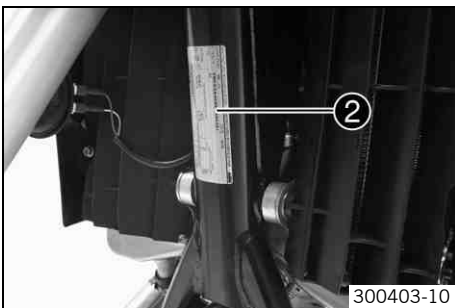


The chassis number ❶ is stamped on the steering head on the right.

## Type label

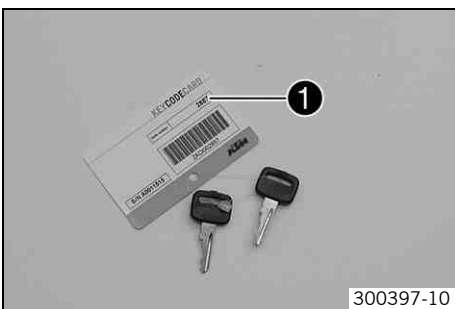


The type label USA ❶ is fixed to the front of the steering head.



The type label Canada ❷ is fixed to the front of the front pipe.

## Key number



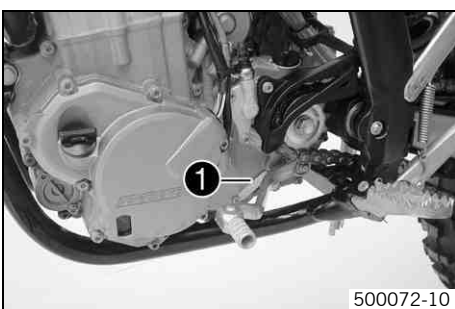
The key number ❶ is provided on the **KEYCODECARD**.

---

**i Info**  
You need the key number to order a spare key. Keep the **KEYCODECARD** in a safe place.

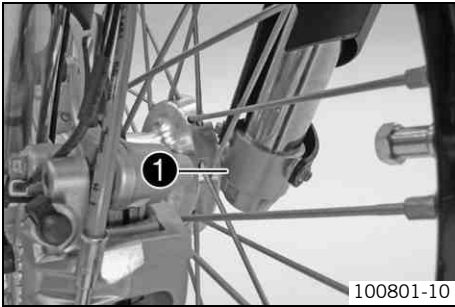
---

## Engine number



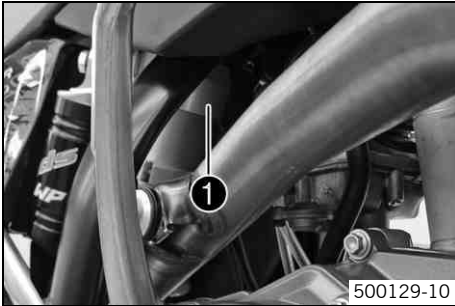
The engine number ❶ is stamped on the left side of the engine under the engine sprocket.

## Fork part number



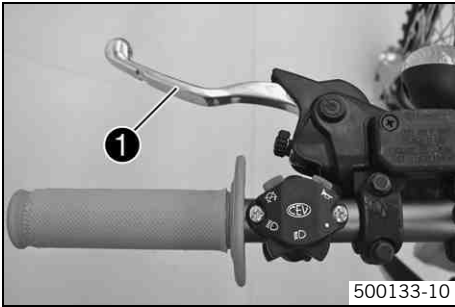
The fork part number ❶ is stamped on the inner side of the fork stub.

## Shock absorber part number



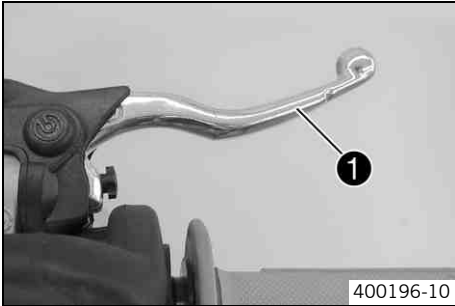
The shock absorber part number ❶ is stamped on the top of the shock absorber above the adjusting ring on the engine side.

## Clutch lever



The clutch lever ❶ is fitted on the left side of the handlebar. The clutch is hydraulically operated and self-adjusting.

## Hand brake lever



Hand brake lever ❶ is located on the right side of the handlebar. The hand brake lever is used to activate the front brake.

## Emergency OFF switch

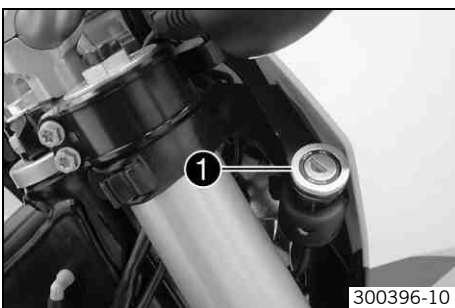


The emergency OFF switch ❶ is fitted on the left side of the handlebar.

### Possible states

	Ignition off – In this position, the ignition circuit is interrupted, a running engine stops, and a non-running engine will not start.
	Ignition on – In this position, the ignition circuit is closed, and the engine can be started.

## Ignition switch



The ignition switch ❶ is on the right behind the headlight mask.

### Possible states

	Ignition off – In this position, the ignition circuit is interrupted, a running engine stops, and a non-running engine will not start.
	Ignition on – In this position, the ignition circuit is closed, and the engine can be started.

## Electric starter button



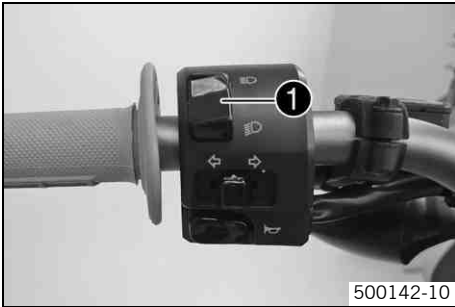
Electric starter button ❶ is fitted on the right side of the handlebar.

### Possible states

- Electric starter button ❷ is in home position
- Electric starter button ❸ is pressed – In this position, the electric starter is actuated.





## Light switch

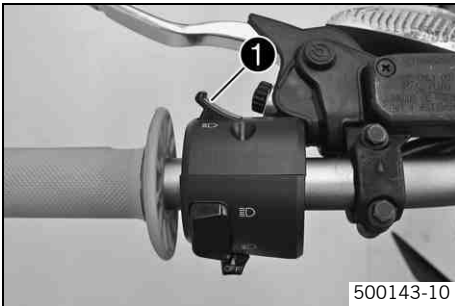


Light switch ❶ is fitted on the left side of the handlebar.

### Possible states

	Low beam on – Light switch is turned downward. In this position, the low beam and tail light are switched on.
	High beam on – Light switch is turned upward. In this position, the high beam and tail light are switched on.

## Headlight flasher button

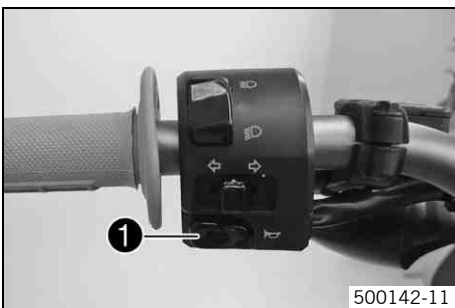


Headlight flasher button ❶ is fitted on the left side of the handlebar.

### Possible states

- Headlight flasher button is in home position
- Headlight flasher button is pressed – The headlight flasher is activated in this position.

## Horn button

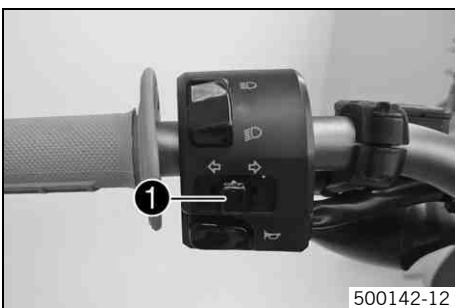


Horn button ❶ is fitted on the left side of the handlebar.

### Possible states



- Horn button ❶ is in home position
- Horn button ❶ is pressed – The horn is sounded in this position.

## Flasher switch



Flasher switch ❶ is fitted on the left side of the handlebar.

### Possible states



	Flasher light off
	Flasher light, left, on – Flasher switch is pressed to the left. The flasher switch returns to the middle position after activation.
	Flasher light, right, on – Flasher switch is pressed to the right. The flasher switch returns to the middle position after activation.

To switch off the flasher, push the flasher switch toward the switch housing.

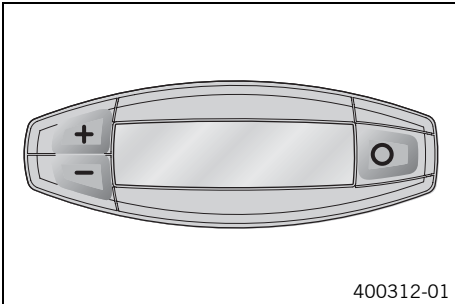
## Overview of indicator lamps



### Possible states

	High beam indicator lamp lights up blue – High beam is switched on.
	Turn signal indicator lamp flashes green – Turn signal light is switched on.

## Speedometer

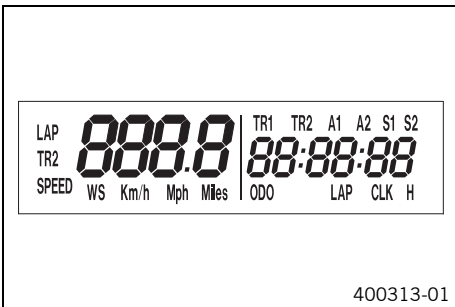


400312-01

- Press the key to change the display mode or change to one of the Setup menus.
- Press the key to control different functions.
- Press the key to control different functions.

**i Info**  
When the vehicle is delivered, only the **SPEED/H** and **SPEED/ODO** display modes are activated.

## Speedometer activation and test



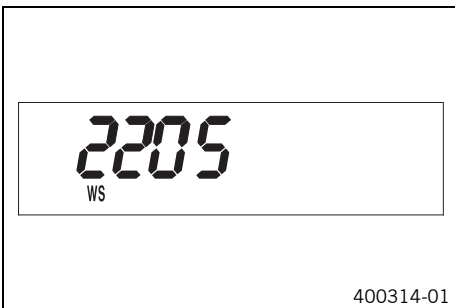
400313-01

Activating the speedometer:

The speedometer is activated when one of the keys is pressed or a signal is received from the wheel speed sensor.

Display test

For the function test of the display, all display segments light up briefly.



400314-01

**WS** (wheel size)

After the display function test, the wheel size **WS** is displayed briefly.

**i Info**  
2205 mm corresponds to the size of the 21" front wheel with a series production tire.

The display then changes to the last selected mode.

## Tripmaster switch

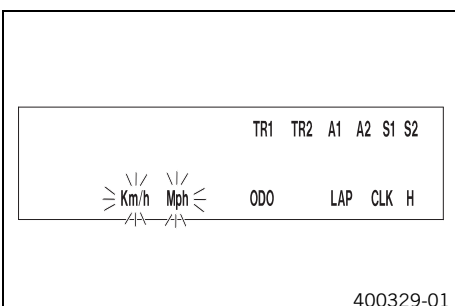
### (Option: Tripmaster switch)

You can use the trip master switch to control the functions of the speedometer from the handlebar.

**i Info**  
The trip master is an optional accessory.

## setting kilometers or miles

**i Info**  
If you change the unit, the value **ODO** is retained and converted accordingly.  
The values **TR1**, **TR2**, **A1**, **A2** and **S1** are cleared when the unit of measure is changed.



400329-01

### Condition

The motorcycle is stationary.


- Press the button briefly and repeatedly until **H** appears at the bottom right of the display.
- Press the button for 3 - 5 seconds.
  - ✓ The setup menu is displayed and the active functions shown.
- Press the button repeatedly until the **Km/h/Mph** display flashes.

### Km/h adjusting

- Press the button .

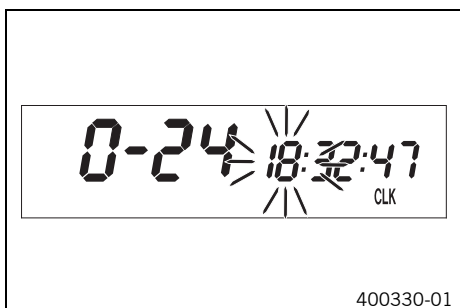
### Mph adjusting

- Press the button .

- Press the button  for 3 - 5 seconds.
- ✓ The settings are stored and the setup menu is closed.






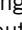
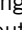
**i Info**  
If no button is actuated for 20 seconds or there is no signal from the wheel speed sensor, then the settings are automatically stored and the setup menu closed.

## Setting the clock




### Condition

The motorcycle is stationary.

- Press the button  briefly and repeatedly until **CLK** appears at the bottom right of the display.
- Press the button  for 3 - 5 seconds.
- ✓ The hour display flashes.
- Set the hour display with the button  and/or button .
- Press the button  briefly.
- ✓ The next segment of the display flashes and can be set.
- You can set the following segments in the same way as the hours by pressing the button  and the button .

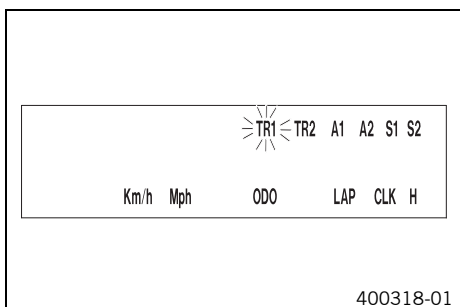
**i Info**  
The seconds can only be set to zero.

- Press the button  for 3 - 5 seconds.
- ✓ The settings are stored and the setup menu is closed.

**i Info**  
If no button is actuated for 20 seconds or there is no signal from the wheel speed sensor, then the settings are automatically stored and the setup menu closed.




## Adjusting the speedometer functions

**i Info**  
When the vehicle is delivered, only the **SPEED/H** and **SPEED/ODO** display modes are activated.




### Condition



The motorcycle is stationary.

- Press the button  briefly and repeatedly until **H** appears at the bottom right of the display.
- Press the button  for 3 - 5 seconds.
- ✓ The Setup menu is displayed and the activated functions are shown.
- Change to the desired function by pressing the button  briefly.
- ✓ The selected function flashes.

### Activating a function

- Press the button .
- ✓ The symbol remains on the screen and the display changes to the next function.

### Deactivating the function

- Press the button .
- ✓ The symbol on the screen goes out and the display changes to the next function.
- All desired functions are activated or deactivated accordingly.
- Press the button  for 3 - 5 seconds.
- ✓ The settings are stored and the Setup menu is closed.



**Info**

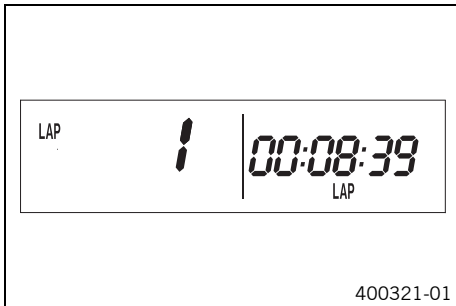
If no button is pressed for 20 seconds, or if a pulse arrives from the wheel speed sensor, the settings are stored automatically and the Setup menu is closed.

**Querying the lap time**



**Info**

This function can be called only if lap times are measured.



**Condition**

The motorcycle is stationary.

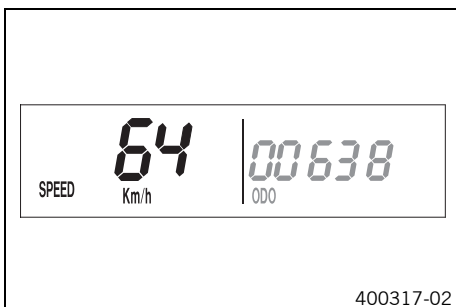
- Press the button briefly and repeatedly until **LAP** appears at the bottom right of the display.
- Press the button briefly.
- ✓ **LAP 1** appears on the left side of the display.
- Laps 1-10 can be displayed by pressing the button .
- The button has no function
- Press the button briefly.
- ✓ Next display mode



**Info**

If an impulse is received from the wheel speed sensor, the left side of the display changes back to the **SPEED** mode.

**Display mode SPEED (speed)**



- Press the button briefly and repeatedly until **SPEED** appears on the left side of the display.

The current speed is displayed in the **SPEED** display mode.  
The current speed can be displayed in **Km/h** or **Mph**.



**Info**

Making the setting according to the country.  
When an impulse comes from the front wheel, the left side of the speedometer display changes to the **SPEED** mode and the current speed is shown.

**Display mode SPEED/H (service hours)**



**Condition**

- The motorcycle is stationary
- Press the button briefly and repeatedly until **H** appears at the bottom right of the display.

In display mode **H**, the service hours of the engine are displayed.  
The service hour counter stores the total traveling time.

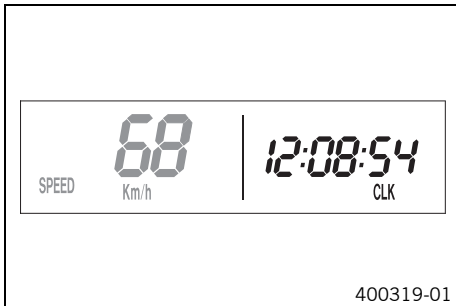


**Info**

The service hour counter is necessary for ensuring that maintenance work is carried out at the right intervals.  
If the speedometer is in **H** display mode at the start of the journey, it automatically changes to the **ODO** display mode.  
The **H** display mode is suppressed during the journey.

Press the button .	No function
Press the button .	No function
Press the button  for 3 - 5 seconds.	The display changes to the Setup menu of the speedometer functions.
Press the button  briefly.	Next display mode

## Display mode SPEED/CLK (clock)



- Press the button briefly and repeatedly until **CLK** appears at the bottom right of the display.

The time is displayed in **CLK** display mode.

Press the button .	No function
Press the button .	No function
Press the button  for 3 - 5 seconds.	The display changes to the Setup menu of the clock.
Press the button  briefly.	Next display mode

## Display mode SPEED/LAP (lap time)



- Press the button briefly and repeatedly until **LAP** appears at the bottom right of the display.

In the **LAP** display mode, up to 10 lap times can be timed with the stop watch.

**i Info**  
If the lap time continues after you press the button , 9 memory locations are already occupied.  
Lap 10 must be timed with the button .

Press the button .	Starts or stops the clock.
Press the button .	Stops the current lap time and saves it, and the stop watch starts the next lap.
Press the button  for 3 - 5 seconds.	The stop watch and the lap time are reset.
Press the button  briefly.	Next display mode

## Display mode SPEED/ODO (odometer)

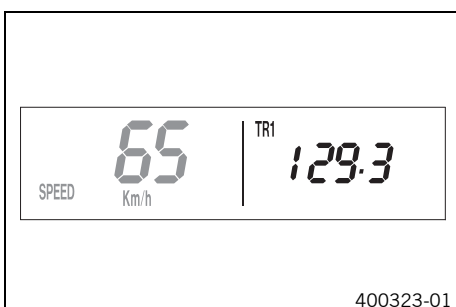


- Press the button briefly and repeatedly until **ODO** appears at the bottom right of the display.

In **ODO** display mode, the total number of kilometers ridden is displayed.

Press the button .	No function
Press the button .	No function
Press the button  for 3 - 5 seconds.	–
Press the button  briefly.	Next display mode

## Display mode SPEED/TR1 (trip master 1)



- Press the button briefly and repeatedly until **TR1** appears at the top right of the display.


**TR1** (trip master 1) runs constantly and counts to 999.9.

You can use it to measure trips or the distance between refueling stops.

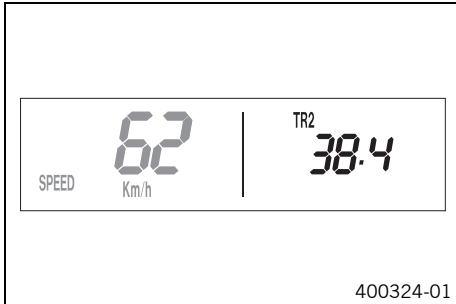
**TR1** is coupled with **A1** (average speed 1) and **S1** (stop watch 1).


**i Info**  
If 999.9 is exceeded, the values of **TR1**, **A1** and **S1** are automatically reset to 0.0.



Press the button .	No function
Press the button .	No function
Press the button  for 3 - 5 seconds.	The <b>TR1</b> , <b>A1</b> and <b>S1</b> displays are reset to 0.0.


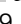
Press the button  briefly.	Next display mode
---	-------------------





## Display mode SPEED/TR2 (trip master 2)



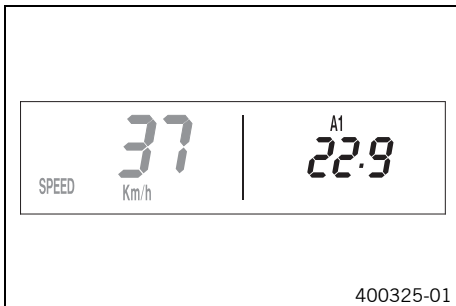
- Press the button  briefly and repeatedly until **TR2** appears at the top right of the display.


**TR2** (trip master 2) runs constantly and counts up to 999.9. The displayed value can be set manually with the button  and the button . A very practical function when riding using the road book.

**Info**  
The **TR2** value can also be corrected manually during the journey with the button  and the button . If 999.9 is exceeded, the value of **TR2** is automatically reset to 0.0.





Press the button  .	Increases value of <b>TR2</b> .
Press the button  .	Reduces value of <b>TR2</b> .
Press the button  for 3 - 5 seconds.	Deletes value of <b>TR2</b> .
Press the button  briefly.	Next display mode

## Display mode SPEED/A1 (average speed 1)




- Press the button  briefly and repeatedly until **A1** appears at the top right of the display.

**A1** (average speed 1) shows the average speed calculated on the basis of **TR1** (trip master 1) and **S1** (stop watch 1). The calculation of this value is activated by the first impulse of the wheel speed sensor and ends 3 seconds after the last impulse.

Press the button  .	No function
Press the button  .	No function
Press the button  for 3 - 5 seconds.	The <b>TR1</b> , <b>A1</b> and <b>S1</b> displays are reset to 0.0.
Press the button  briefly.	Next display mode





## Display mode SPEED/A2 (average speed 2)



- Press the button  briefly and repeatedly until **A2** appears at the top right of the display.

**A2** (average speed 2) shows the average speed on the basis of the current speed if the stop watch **S2** (stop watch 2) is running.

**Info**  
The displayed value can differ from the actual average speed if **S2** was not timed after the ride.

Press the button  .	No function
Press the button  .	No function
Press the button  for 3 - 5 seconds.	–
Press the button  briefly.	Next display mode

## Display mode SPEED/S1 (stop watch 1)



– Press the button briefly and repeatedly until **S1** appears at the top right of the display.

**S1** (stop watch 1) displays the journey time on the basis of **TR1** and continues when an impulse is received from the wheel speed sensor. The calculation of this value starts with the first impulse of the wheel speed sensor and ends 3 seconds after the last impulse.

Press the button	No function
Press the button	No function
Press the button  for 3 - 5 seconds.	Displays of <b>TR1</b> , <b>A1</b> and <b>S1</b> are reset to 0.0.
Press the button  briefly.	Next display mode

## Display mode SPEED/S2 (stop watch 2)



– Press the button briefly and repeatedly until **S2** appears at the top right of the display.

**S2** (stop watch 2) is a manual stop watch. If **S2** is running in the background, the **S2** display flashes in the speedometer display.

Press the button	Starts or stops <b>S2</b> .
Press the button	No function
Press the button  for 3 - 5 seconds.	Displays of <b>S2</b> and <b>A2</b> are reset to 0.0.
Press the button  briefly.	Next display mode

### Table of functions

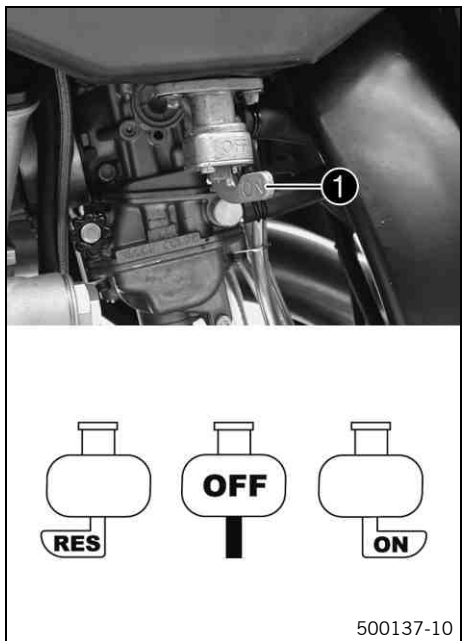
Display	Press the button	Press the button	Press the button  for 3 - 5 seconds.	Press the button  briefly.
Display mode <b>SPEED/H</b> (service hours)	No function	No function	The display changes to the Setup menu of the speedometer functions.	Next display mode
Display mode <b>SPEED/CLK</b> (clock)	No function	No function	The display changes to the Setup menu of the clock.	Next display mode
Display mode <b>SPEED/LAP</b> (lap time)	Starts or stops the clock.	Stops the current lap time and saves it, and the stop watch starts the next lap.	The stop watch and the lap time are reset.	Next display mode
Display mode <b>SPEED/ODO</b> (odometer)	No function	No function	–	Next display mode
Display mode <b>SPEED/TR1</b> (trip master 1)	No function	No function	The <b>TR1</b> , <b>A1</b> and <b>S1</b> displays are reset to 0.0.	Next display mode
Display mode <b>SPEED/TR2</b> (trip master 2)	Increases value of <b>TR2</b> .	Reduces value of <b>TR2</b> .	Deletes value of <b>TR2</b> .	Next display mode
Display mode <b>SPEED/A1</b> (average speed 1)	No function	No function	The <b>TR1</b> , <b>A1</b> and <b>S1</b> displays are reset to 0.0.	Next display mode
Display mode <b>SPEED/A2</b> (average speed 2)	No function	No function	–	Next display mode
Display mode <b>SPEED/S1</b> (stop watch 1)	No function	No function	Displays of <b>TR1</b> , <b>A1</b> and <b>S1</b> are reset to 0.0.	Next display mode
Display mode <b>SPEED/S2</b> (stop watch 2)	Starts or stops <b>S2</b> .	No function	Displays of <b>S2</b> and <b>A2</b> are reset to 0.0.	Next display mode

### Table of conditions and menu activation

Display	The motorcycle is stationary	Menu can be activated
Display mode <b>SPEED/H</b> (service hours)	•	

Table of conditions and menu activation		
Display	The motorcycle is stationary	Menu can be activated
Display mode <b>SPEED/CLK</b> (clock)		•
Display mode <b>SPEED/LAP</b> (lap time)		•
Display mode <b>SPEED/TR1</b> (trip master 1)		•
Display mode <b>SPEED/TR2</b> (trip master 2)		•
Display mode <b>SPEED/A1</b> (average speed 1)		•
Display mode <b>SPEED/A2</b> (average speed 2)		•
Display mode <b>SPEED/S1</b> (stop watch 1)		•
Display mode <b>SPEED/S2</b> (stop watch 2)		•

## Fuel tap

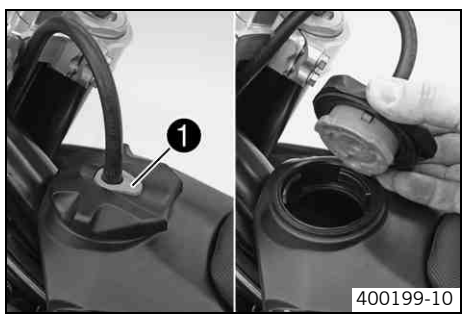


The fuel tap is on the left of the fuel tank. With tap handle ❶ on the fuel tap, you can open or close the supply of fuel to the carburetor.

**Possible states**

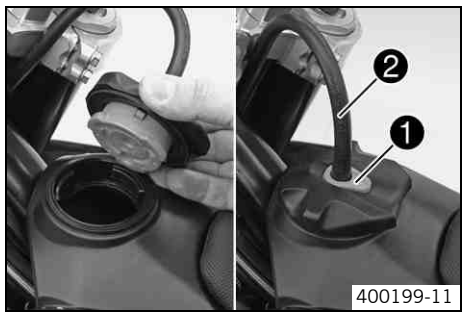
- Fuel supply closed **OFF** – No fuel flows from the tank to the carburetor.
- Fuel supply open **ON** – Fuel flows from the tank to the carburetor. The fuel tank empties down to the reserve.
- Reserve fuel supply open **RES** – Fuel flows from the tank to the carburetor. The fuel tank empties completely.

## Opening filler cap



- Press release button ❶, turn filler cap counterclockwise and lift it upwards and remove.

## Closing filler cap

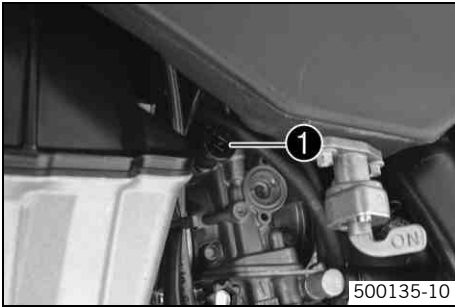


- Replace the filler cap and turn clockwise until the release button ❶ locks in place.

**i Info**  
Route the fuel tank breather hose ❷ without kinking.



## Choke



Choke ❶ is fitted on the left side of the carburetor. Activating the choke function frees an opening through which the engine can draw extra fuel. This gives a richer fuel-air mixture, which is needed for a cold start.

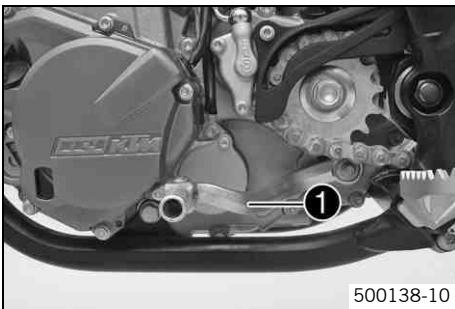
**i Info**

If the engine is warm, the choke function must be deactivated.

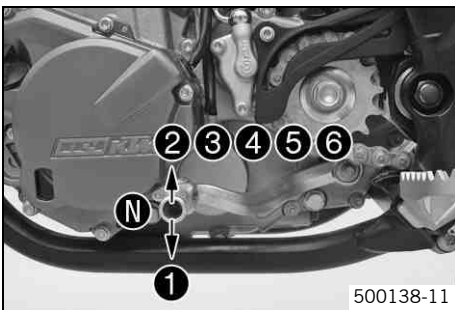
**Possible states**

- Choke function activated – The choke lever is pulled out to the stop.
- Choke function deactivated – The choke lever is pushed in to the stop.

## Shift lever

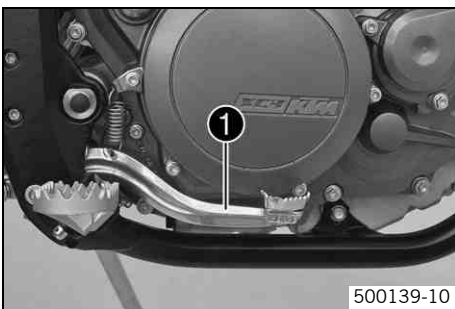


Shift lever ❶ is mounted on the left side of the engine.



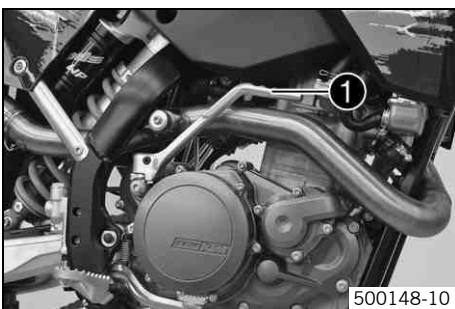
The gear positions can be seen in the photograph. The neutral or idle position is between the first and second gears.

## Foot brake lever



Foot brake lever ❶ is located in front of the right footrest. The foot brake lever is used to activate the rear brake.

## Kick starter

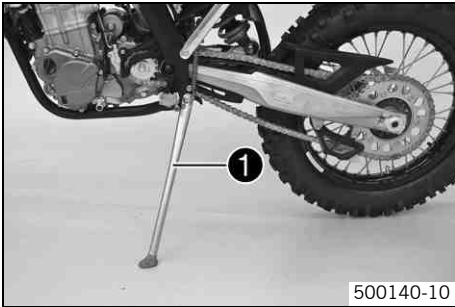


The kick starter ❶ is fitted on the right of the engine. The engine can be started with either the kick starter or the electric starter. The upper part of the kick starter can be swung out.

**i Info**

Before riding, swing the upper part of the kick starter inwards towards the engine.

## Side stand



500140-10

**Note**

**Danger of damage** The parked vehicle may roll away or fall over.

- Always place the vehicle on a firm and even surface.

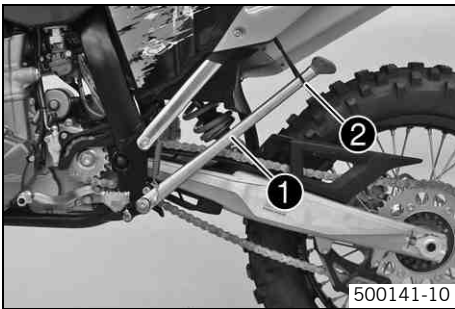
**Note**

**Material damage** Damage and destruction of components by excessive load.

- The side stand is designed for the weight of the motorcycle only. Do not sit on the motorcycle when it is supported by the side stand only. The side stand and/or the frame could be damaged and the motorcycle could fall over.

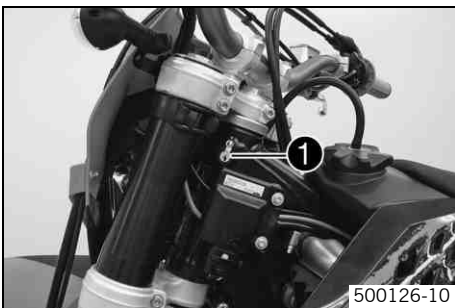
To park the motorcycle, press side stand **1** to the ground with your foot and lean the motorcycle on it.

When you are riding, side stand **1** must be folded up and secured with rubber band **2**.



500141-10

## Steering lock



500126-10

Steering lock **1** is fitted on the left side of the steering head.

The steering lock is used to lock the steering. Steering, and therefore riding, is no longer possible.

## Locking the steering

**Note**

**Danger of damage** The parked vehicle may roll away or fall over.

- Always place the vehicle on a firm and even surface.



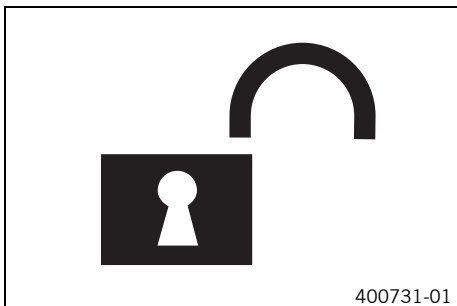
400732-01

- Park the vehicle.
- Turn the handlebar as far as possible to the right.
- Insert the key in the steering lock, turn it to the left, press it in and turn it to the right. Remove the key.
- ✓ Steering is no longer possible.



**Info**

Never leave the key in the steering lock.

**Unlocking the steering**









- Insert the key in the steering lock, turn it to the left, pull it out and turn it to the right. Remove the key.

✓ You can now steer the bike again.


**Info**

Never leave the key in the steering lock.

## Advice on first use


-  **Danger**  
**Danger of accidents** Danger arising from the rider's judgement being impaired.
  - Do not use the vehicle if you are inexperienced or if you have consumed alcohol or drugs.
-  **Warning**  
**Risk of injury** Missing or poor protective clothing present an increased safety risk.
  - Wear protective clothing (helmet, boots, gloves, pants and jacket with protectors) every time you ride the vehicle. Always wear protective clothing, which must be undamaged and meet legal requirements.
-  **Warning**  
**Danger of crashing** Poor vehicle handling due to different tire tread patterns on front and rear wheels.
  - The front and rear wheels must be fitted with tires with similar tread patterns to prevent loss of control over the vehicle.
-  **Warning**  
**Danger of accidents** Critical riding behavior due to inappropriate riding.
  - Adapt your riding speed to the road conditions and your riding ability.
-  **Warning**  
**Danger of accidents** Accident risk caused by presence of a passenger.
  - Your vehicle is not designed to carry passengers. Do not ride with a passenger.
-  **Warning**  
**Danger of accidents** Failure of brake system.
  - If the foot brake lever is not released, the brake linings drag permanently. The rear brake can fail due to overheating. Take your foot off the foot brake lever if you do not want to brake.
-  **Warning**  
**Danger of accidents** Unstable riding behavior.
  - Do not exceed the maximum permissible weight and axle loads.
-  **Warning**  
**Risk of misappropriation** Usage by unauthorized persons.
  - Never leave the vehicle while the engine is running. Secure the vehicle against use by unauthorized persons.

---

 **Info**  
When using your motorcycle, remember that others may feel disturbed by excessive noise.


- Make sure that the pre-delivery inspection work has been carried out by an authorized KTM workshop. You receive a delivery certificate and the service record at vehicle handover.
- Before your first trip, read the entire operating instructions carefully.
- Get to know the controls.
- Adjust the basic position of clutch lever. (☞ p. 77)
- Adjust the free travel of the hand brake lever. (☞ p. 57)
- Adjust the basic position of the foot brake lever. ☞ (☞ p. 60)
- Adjust the basic position of the shift lever. ☞ (☞ p. 79)
- Get used to handling the motorcycle on a suitable piece of land before making a longer trip.

---

 **Info**  
Off-road, you should be accompanied by another person on another machine so that you can help each other.

- Try also to ride as slowly as possible and in a standing position to get a better feeling for the vehicle.
- Do not make any off-road trips that over-stress your ability and experience.
- Hold the handlebar firmly with both hands and keep your feet on the footrests when riding.
- If you carry any baggage, make sure it is fixed firmly as close as possible to the center of the vehicle and ensure even weight distribution between the front and rear wheels.

---

 **Info**  
Motorcycles react sensitively to any changes of weight distribution.

- Do not exceed the overall maximum permitted weight and the axle loads.

Guideline

Maximum permissible overall weight	335 kg (739 lb.)
Maximum permissible front axle load	145 kg (320 lb.)
Maximum permissible rear axle load	190 kg (419 lb.)

- Check the spoke tension. (☛ p. 68)



**Info**

The spoke tension must be checked after half an hour of operation.

- Run-in the engine.

## Running-in the engine

- During the running-in phase, do not exceed the specified engine speed and engine performance.

Guideline

Maximum engine speed	
During the first 3 service hours	7,000 rpm
Maximum engine performance	
During the first 3 service hours	≤ 50 %
During the next 12 service hours	≤ 75 %

- Avoid fully opening the throttle!

## Preparing vehicle for arduous riding conditions

- Using a motorcycle in arduous conditions can lead to excessive wear of components such as the power train or brakes. For this reason, it may be necessary to service or replace worn parts before the limit specified in the service schedule is reached.

**Arduous riding conditions are:**

- Riding on dry sand. (☛ p. 27)
- Riding on wet sand. (☛ p. 28)
- Riding on wet and muddy surfaces. (☛ p. 29)
- Rides at high temperature and slow speed. (☛ p. 30)
- Rides at low temperatures or in snow. (☛ p. 30)

## Preparing for riding on dry sand



- Check the radiator cap.

Value on radiator cap	1.8 bar (26 psi)
-----------------------	------------------

» If the displayed value does not correspond to specifications:



**Warning**

**Danger of scalding** During motorcycle operation, the coolant gets very hot and is under pressure.

- Do not remove the radiator cap, radiator hoses or other cooling system components when the engine is hot. Allow the engine and cooling system to cool down. In case of scalding, rinse immediately with lukewarm water.

- Change the radiator cap.

- Seal the air filter box. ☛



**Tip**

Seal the air filter box on the edges against dirt.

- Clean the air filter. ☛ (☛ p. 77)



**Info**

Check the air filter approx. every 30 minutes.



600869-01

- Fit a dust protection device on the air filter.

Dust protection device for air filter (59006019000)



**Info**

See the **KTM PowerParts** fitting instructions.



600871-01

- Fit a sand screen device on the air filter.

Sand protection device for air filter (59006022000)



**Info**

See the **KTM PowerParts** fitting instructions.

- Adjust the carburetor jetting and settings.



**Info**

Your authorized KTM workshop has the recommended carburetor tuning settings.



600868-01

- Clean the chain.

Chain cleaner (☞ p. 107)

- Fit the steel sprocket.



**Tip**

Do not grease the chain.

- Clean radiator fins.
- Straighten bent radiator fins carefully.

## Preparing for riding on wet sand



600872-10

- Check the radiator cap.

Value on radiator cap	1.8 bar (26 psi)
-----------------------	------------------

- » If the displayed value does not correspond to specifications:



**Warning**

**Danger of scalding** During motorcycle operation, the coolant gets very hot and is under pressure.

- Do not remove the radiator cap, radiator hoses or other cooling system components when the engine is hot. Allow the engine and cooling system to cool down. In case of scalding, rinse immediately with lukewarm water.

- Change the radiator cap.

- Seal the air filter box. ☞



**Tip**

Seal the air filter box on the edges against dirt.

- Clean the air filter. ☞ (☞ p. 77)



**Info**

Check the air filter approx. every 30 minutes.



600870-01

- Fit a waterproofing device on the air filter.

Waterproofing device for air filter (59006021000)



**Info**

See the **KTM PowerParts** fitting instructions.

- Adjust the carburetor jetting and settings.



**Info**

Your authorized KTM workshop has the recommended carburetor tuning settings.

- Clean the chain.

Chain cleaner (☞ p. 107)

- Fit the steel sprocket.



**Tip**

Do not grease the chain.

- Clean radiator fins.
- Straighten bent radiator fins carefully.



600868-01

## Preparing for riding on wet and muddy surfaces

- Seal the air filter box. ☞



**Tip**

Seal the air filter box along the edges to prevent the ingress of dirt.

- Clean the air filter. ☞ (☞ p. 77)



**Info**

Check the air filter approx. every 30 minutes.

- Fit a waterproofing device on the air filter.

Waterproofing device for air filter (59006021000)



**Info**

See the **KTM PowerParts** fitting instructions.

- Adjust the carburetor jetting and settings.



**Info**

Your authorized KTM workshop has the recommended carburetor tuning settings.



600870-01

- Fit the steel sprocket.
- Clean the motorcycle. (☞ p. 89)
- Straighten bent radiator fins carefully.



600868-01

## Preparing for rides at high temperature and slow speed



600872-10

- Check the radiator cap.

Value on radiator cap	1.8 bar (26 psi)
-----------------------	------------------

- » If the displayed value does not correspond to specifications:



### Warning

**Danger of scalding** During motorcycle operation, the coolant gets very hot and is under pressure.

- Do not remove the radiator cap, radiator hoses or other cooling system components when the engine is hot. Allow the engine and cooling system to cool down. In case of scalding, rinse immediately with lukewarm water.

- Change the radiator cap.

- Seal the air filter box. 🗑️



### Tip

Seal the air filter box on the edges against dirt.

- Clean the air filter. 🗑️ (👉 p. 77)



### Info

Check the air filter approx. every 30 minutes.

- Adjust the secondary drive to the road conditions.



### Info

The engine oil quickly gets hot if the clutch has to be operated very often due to an excessively high secondary drive.

- Clean the chain.

Chain cleaner (👉 p. 107)
--------------------------

- Clean radiator fins.
- Straighten bent radiator fins carefully.
- Check the coolant level. (👉 p. 74)



600868-01

## Preparing for rides at low temperatures or in snow

- Seal the air filter box. 🗑️



### Tip

Seal the air filter box on the edges against dirt.

- Clean the air filter. 🗑️ (👉 p. 77)



### Info

Check the air filter approx. every 30 minutes.

- Fit a waterproofing device on the air filter.

Waterproofing device for air filter (59006021000)
---



### Info

See the **KTM PowerParts** fitting instructions.

- Adjust the carburetor jetting and settings.



### Info

Your authorized KTM workshop has the recommended carburetor tuning settings.



600870-01



## Checks before putting into operation



### Info

Make sure that the motorcycle is in a perfect technical condition before use.



### Info

In the interests of riding safety, make a habit of making a general check before you ride.

- Check the engine oil level. (☛ p. 81)
- Check the chain tension. (☛ p. 52)
- Check for chain dirt accumulation. (☛ p. 52)
- Check the tire condition. (☛ p. 67)
- Check the tire air pressure. (☛ p. 67)
- Check the brake fluid level of the front brake. (☛ p. 57)
- Check the rear brake fluid level. (☛ p. 61)
- Check the front brake linings. (☛ p. 58)
- Check the rear brake linings. (☛ p. 62)
- Check the brake system function.
- Check the coolant level. (☛ p. 74)
- Check the settings of all controls and ensure that they can be operated smoothly.
- Check the functioning of the electrical equipment.

## Starting



### Danger

**Danger of poisoning** Exhaust gases are poisonous and inhaling them may result in unconsciousness and/or death.

- When running the engine, always make sure there is sufficient ventilation, and do not start or run the engine in an enclosed space without an effective exhaust extraction system.

### Note

**Engine failure** High engine speeds in cold engines have a negative effect on the service life of the engine.

- Always warm up the engine at low engine speeds.

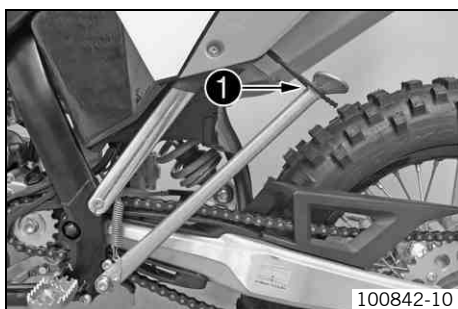


### Info

If the motorcycle is unwilling to start, the cause may be old fuel in the float chamber. The flammable elements of the fuel evaporate after a long time of standing.

If the float chamber is filled with fresh fuel, the engine starts immediately.

Press the starter for a maximum of 5 seconds. Wait for a least 5 seconds before trying again.

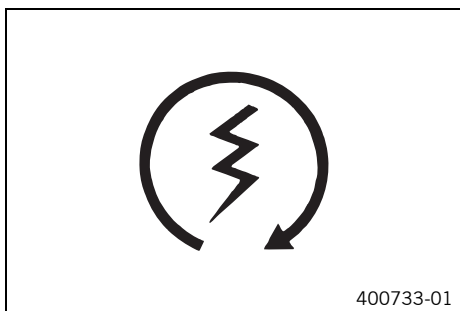


### Motorcycle has been out of use for more than 1 week

- Empty the carburetor float chamber. ☛ (☛ p. 81)
- Turn handle ❶ of the fuel tap to the **ON** position. (Figure 500137-10☛ p. 22)
- ✓ Fuel can flow from the fuel tank to the carburetor.
- Raise the motorcycle off of the stand and secure the stand with rubber band ❶.
- Shift transmission to neutral.
- Turn the key in the ignition switch to the position ○.
- Turn the emergency OFF switch to the position ○.

### The engine is cold

- Pull choke lever out as far as possible.



- Press the electric starter button or press the kickstarter robustly through its full range.

**i Info**  
Do not rev up.

## Starting up

**i Info**  
If your bike has lights, switch them on before riding. You will then be seen earlier by other motorists. When you are riding, the side stand must be folded up and secured with the rubber band.

- Pull the clutch lever, engage 1st gear, release the clutch lever slowly and simultaneously open the throttle carefully.

## Shifting, riding

**! Warning**  
**Danger of accidents** If you change down at high engine speed, the rear wheel can lock up.

- Do not change into a low gear at high engine speed. The engine overspeeds and the rear wheel can block.

**i Info**  
If you hear unusual noises while riding, stop immediately, switch off the engine and contact an authorized KTM workshop. First gear is used for starting off or for steep inclines.

- When conditions allow (incline, road situation, etc.), you can shift into a higher gear. To do so, release the throttle while simultaneously pulling the clutch lever, shift into the next gear, release the clutch and open the throttle.
- If the choke function was activated, deactivate it after the engine has warmed up.
- When you reach maximum speed after fully opening the throttle, turn back the throttle to about  $\frac{3}{4}$  of its range. This barely reduces vehicle speed but lowers fuel consumption considerably.
- Always open the throttle only as much as the engine can handle – abrupt throttle opening increases fuel consumption.
- To shift down, brake and close the throttle at the same time.
- Pull the clutch lever and shift into a lower gear, release the clutch lever slowly and open the throttle or shift again.
- Switch off the engine if you expect to be stationary for a long time.

Guideline

$\geq 2$  min

- Avoid frequent and prolonged slipping of the clutch. This causes heat build-up in the engine oil, the engine and the cooling system.
- Ride at lower engine speeds instead of high revs and a slipping clutch.

## Braking

**! Warning**  
**Danger of accidents** If you brake too hard, the wheels can lock.

- Adapt your braking to the traffic situation and the road conditions.

**! Warning**  
**Danger of accidents** Reduced braking efficiency caused by spongy pressure point of front or rear brake.


- Check the brake system and do not continue riding. (Your authorized KTM workshop will be glad to help.)

**! Warning**  
**Danger of accidents** Reduced braking efficiency due to wet or dirty brakes.


- Clean or dry dirty or wet brakes by riding and braking gently.

- On sandy, wet or slippery surfaces, use the rear brake.
- Braking should always be completed before you go into a bend. Change down to a lower gear appropriate to your road speed.
- On long downhill stretches, use the braking effect of the engine. Change down one or two gears, but do not overstress the engine. In this way, you have to brake far less and the brakes do not overheat.

## Stopping, parking

 **Warning**  
**Risk of misappropriation** Usage by unauthorized persons.

- Never leave the vehicle while the engine is running. Secure the vehicle against use by unauthorized persons.

 **Warning**  
**Danger of burns** Some vehicle components get very hot when the vehicle is in use.

- Do not touch hot components such as exhaust system, radiator, engine, shock absorber and brakes. Allow these components to cool down before starting work on them.

**Note**  
**Danger of damage** The parked vehicle may roll away or fall over.


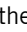

- Always place the vehicle on a firm and even surface.

**Note**  
**Fire hazard** Some vehicle components become very hot when the vehicle is operated.


- Do not park the vehicle near flammable or explosive substances. Do not place objects on the vehicle while it is still warm from being run. Always let the vehicle cool first.

**Note**  
**Material damage** Damage and destruction of components by excessive load.


- The side stand is designed for the weight of the motorcycle only. Do not sit on the motorcycle when it is supported by the side stand only. The side stand and/or the frame could be damaged and the motorcycle could fall over.

- Brake the motorcycle.
- Shift transmission to neutral.
- Turn the key in the ignition switch to the position  while the engine is idling.
- Turn handle  of the fuel tap to the **OFF** position. (Figure 500137-10  p. 22)
- Park the motorcycle on firm ground.


## Refueling

 **Danger**  
**Fire hazard** Fuel is highly flammable.


- Never refuel the vehicle near open flames or burning cigarettes, and always switch off the engine first. Be careful that no fuel is spilt, especially on hot vehicle components. Clean up spilt fuel immediately.
- Fuel in the fuel tank expands when warm and can escape if the tank is overfilled. See the notes on refueling.

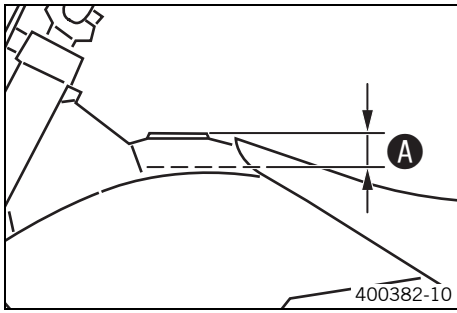
 **Warning**  
**Danger of poisoning** Fuel is poisonous and a health hazard.

- Avoid contact of the fuel with skin, eyes and clothing. Do not inhale fuel vapors. If fuel gets into your eyes, rinse immediately with water and contact a doctor. Wash affected skin areas immediately with soap and water. If fuel is swallowed, contact a doctor immediately. Change clothing that has come into contact with fuel.

 **Warning**  
**Environmental hazard** Improper handling of fuel is a danger to the environment.

- Do not allow fuel to get into the ground water, the ground, or the sewage system.

- Switch off engine.
- Open the filler cap. ( p. 22)



- Fill the fuel tank with fuel up to measurement **A**.

Guideline

Measurement of <b>A</b>	35 mm (1.38 in)	
Total fuel tank capacity, approx.	9.2 l (2.43 US gal)	Super unleaded (ROZ 95 / RON 95 / PON 91) (☛ p. 106)

- Close the filler cap. (☛ p. 22)

## Important maintenance work to be carried out by an authorized KTM workshop.

		S3N	S15A	S30A
Engine	Change the engine oil and oil filter and clean the engine oil screen. 🛠️ (📖 p. 82)	•	•	•
	Change the gear oil and clean the gear oil screen. 🛠️ (📖 p. 84)	•	•	•
	Replace spark plug.			•
	Check the valve clearance. 🛠️	•	•	•
	Check engine mounting screws for tightness.	•	•	•
	Clean spark plug connectors and check for tightness.	•	•	•
	Check that the screws in the shift lever and the kickstarter are tight.	•	•	•
Carburetor	Check carburetor connection boots for cracks and leakage.		•	•
	Check vent hoses for damage and routing without sharp bends.	•	•	•
	Check idle.	•	•	•
Attachments	Check the cooling system for leakage.	•	•	•
	Check the anti-freeze and coolant level. (📖 p. 73)	•	•	•
	Check the exhaust system for leakage and looseness.		•	•
	Check the cables for damage, smooth operation and routing without sharp bends.	•	•	•
	Check the fluid level of the hydraulic clutch. (📖 p. 78)	•	•	•
	Clean the air filter. 🛠️ (📖 p. 77)	•	•	•
	Check cables for damage and routing without sharp bends.		•	•
	Check that the electrical equipment is functioning properly.	•	•	•
	Check the headlight adjustment. (📖 p. 70)		•	•
Brakes	Check the front brake linings. (📖 p. 58)	•	•	•
	Check the rear brake linings. (📖 p. 62)	•	•	•
	Check the brake discs. (📖 p. 56)	•	•	•
	Check the brake fluid level of the front brake. (📖 p. 57)	•	•	•
	Check the rear brake fluid level. (📖 p. 61)	•	•	•
	Check brake lines for damage and leakage.	•	•	•
	Check the free travel of the hand brake lever. (📖 p. 56)	•	•	•
	Check the free travel of the foot brake lever. (📖 p. 60)	•	•	•
	Check brake system function.	•	•	•
	Check screws and guide bolts of brake system for tightness.	•	•	•
suspension	Check shock absorber and fork for leakage and functioning. 🛠️	•	•	•
	Clean the dust boots of the fork legs. (📖 p. 44)		•	•
	Bleed fork legs. (📖 p. 44)		•	•
	Check the frame and swingarm for damage.		•	•
	Check the swingarm bearing. 🛠️		•	•
	Check the steering head bearing play. (📖 p. 45)	•	•	•
	Check all screws to see if they are tight.	•	•	•
Wheels	Check the spoke tension. (📖 p. 68)	•	•	•
	Check the wheel hubs for damage.		•	•
	Check rim run-out.	•	•	•
	Check the tire condition. (📖 p. 67)	•	•	•
	Check the tire air pressure. (📖 p. 67)	•	•	•
	Check the chain wear. (📖 p. 53)	•	•	•
	Check the chain tension. (📖 p. 52)	•	•	•
	Clean the chain. (📖 p. 52)	•	•	•
	Check the wheel bearing for play. 🛠️	•	•	•
	Clean and grease adjusting screws of chain adjuster.	•	•	•

**S3N:** Once after 3 operating hours

**S15A:** Every 15 operating hours/after every race

**S30A:** Every 30 operating hours

**Important maintenance work to be carried out by an authorized KTM workshop. (as additional order)**

	Competition use			Hobby use			S15N	S45A	J1A
	S15A	S30A	S45A	S30A	S60A	S90A			
Perform a fork service. 🛠️							•	•	
Perform a shock absorber service. 🛠️			•		•				
Grease the steering head bearing. 🛠️ (📄 p. 49)									•
Treat electric contacts with contact spray.									•
Change the hydraulic clutch fluid. 🛠️ (📄 p. 78)									•
Change the front brake fluid. 🛠️									•
Change the rear brake fluid. 🛠️									•
Clean the spark arrestor. 🛠️									•
Check wear of clutch discs. 🛠️	•	•	•	•	•	•			
Check the clutch. 🛠️		•			•				
Check/measure the cylinder. 🛠️			•			•			
Change the piston. 🛠️			•			•			
Check the camshaft. 🛠️			•			•			
Change the camshaft bearing. 🛠️			•			•			
Check the valve spring seat. 🛠️			•			•			
Check the cylinder head. 🛠️			•			•			
Check the valves. 🛠️			•			•			
Check the valve springs. 🛠️			•			•			
Check the radial clearance of the rocker arm rollers. 🛠️			•			•			
Check the timing-chain tensioner function. 🛠️			•			•			
Check the balancer shaft. 🛠️			•			•			
Check the crankshaft run-out at the bearing pin. 🛠️			•			•			
Change the connecting rod, conrod bearing and crank pin. 🛠️			•			•			
Change the crankshaft main bearing. 🛠️			•			•			
Check the transmission. 🛠️			•			•			
Check the shift mechanism. 🛠️			•			•			
Check the spring length of the oil pressure regulator valve. 🛠️			•			•			
Change glass fiber yarn filling of main silencer. 🛠️		•			•				
Replace foot brake cylinder seals. 🛠️		•			•				
Check/adjust the carburetor components. 🛠️		•			•				•

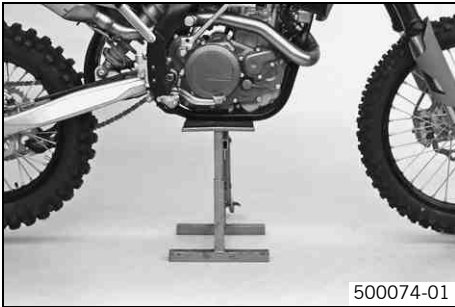
- S15A:** Every 15 operating hours/after every race
- S30A:** Every 30 operating hours
- S45A:** Every 45 operating hours
- S60A:** Every 60 operating hours
- S90A:** Every 90 operating hours
- S15N:** Once after 15 operating hours
- J1A:** Annually

## Important checks and maintenance work to be carried out by the rider

	NB1A
Check the engine oil level. (🔧 p. 81)	•
Check the brake fluid level of the front brake. (🔧 p. 57)	•
Check the rear brake fluid level. (🔧 p. 61)	•
Check the front brake linings. (🔧 p. 58)	•
Check the rear brake linings. (🔧 p. 62)	•
Check and adjust the cables.	•
Bleed fork legs. (🔧 p. 44)	•
Clean the dust boots of the fork legs. (🔧 p. 44)	•
Clean the chain. (🔧 p. 52)	•
Check the chain tension. (🔧 p. 52)	•
Check the chain wear. (🔧 p. 53)	•
Check rear sprocket/engine sprocket for wear. (🔧 p. 53)	•
Clean the air filter. 🌀 (🔧 p. 77)	•
Check the tire air pressure. (🔧 p. 67)	•
Check the tire condition. (🔧 p. 67)	•
Check the coolant level. (🔧 p. 74)	•
Empty the carburetor float chamber. 🌀 (🔧 p. 81)	•
Check all controls for smooth operation.	•
Check braking.	•
Check all screws, nuts and hose clamps regularly for tightness.	•

**NB1A:** Depending on conditions of use according to requirements.

## Jacking up the motorcycle



**Note**

**Danger of damage** The parked vehicle may roll away or fall over.

- Always place the vehicle on a firm and even surface.

- Jack up the motorcycle underneath the engine. The wheels should no longer touch the ground.

Work stand (54829055000)
--------------------------

- Secure the motorcycle against falling over.

## Removing the motorcycle from the work stand

**Note**

**Danger of damage** The parked vehicle may roll away or fall over.

- Always place the vehicle on a firm and even surface.

- Remove the motorcycle from the work stand.
- Remove the work stand.

## Checking the basic suspension setting with the rider's weight



**Info**

When adjusting the basic suspension setting, first adjust the shock absorber and then the fork.

- For optimal motorcycle riding characteristics and to avoid damage to forks, shock absorbers, swing arm and frame, the basic settings of the suspension components must match your body weight.
- As delivered, KTM off-road motorcycles are adjusted for a standard rider weight (with full protective clothing).

Guideline

Standard rider weight	75... 85 kg (165... 187 lb.)
-----------------------	------------------------------

- If your weight is above or below the standard range, you have to adjust the basic setting of the suspension components accordingly.
- Small weight differences can be compensated by adjusting the spring preload, but in the case of large weight differences, the springs must be replaced.

## Compression damping of shock absorber

The shock absorber can regulate compression damping separately in the low-speed and high-speed ranges (Dual Compression Control). The terms low-speed and high-speed refers to the movement of the shock absorber during compression and not to the riding speed of the motorcycle.

Changes in the settings in the low-speed range have an impact on the high-speed range and vice versa.

## Adjusting the high-speed compression damping of the shock absorber



**Danger**

**Danger of accidents** Disassembly of pressurized parts can lead to injury.

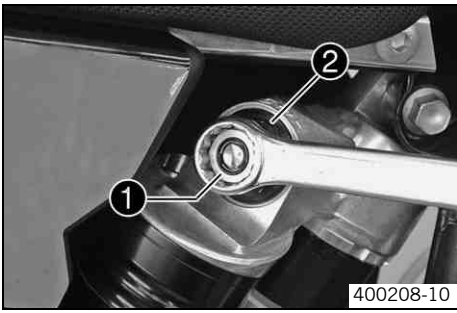
- The shock absorber is filled with high density nitrogen. Adhere to the description provided. (Your authorized KTM workshop will be glad to help.)



**Info**

The high-speed setting can be seen during the fast compression of the shock absorber.





- Turn adjusting screw ❶ clockwise with a socket wrench until it stops.

**i Info**  
Do not loosen nut ❷!

- Turn back counterclockwise by the number of turns corresponding to the shock absorber type.

**Guideline**

Compression damping, high-speed	
Comfort	2 turns
Standard	1.5 turns
Sport	1.25 turns

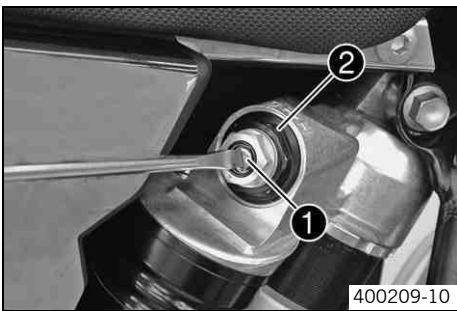
**i Info**  
Turn clockwise to increase damping; turn counterclockwise to reduce damping.

## Adjusting the low-speed compression damping of the shock absorber

**! Danger**  
**Danger of accidents** Disassembly of pressurized parts can lead to injury.

- The shock absorber is filled with high density nitrogen. Adhere to the description provided. (Your authorized KTM workshop will be glad to help.)

**i Info**  
The low-speed setting can be seen during the slow to normal compression of the shock absorber.



- Turn adjusting screw ❶ clockwise with a screwdriver up to the last perceptible click.

**i Info**  
Do not loosen nut ❷!

- Turn back counterclockwise by the number of clicks corresponding to the shock absorber type.

**Guideline**

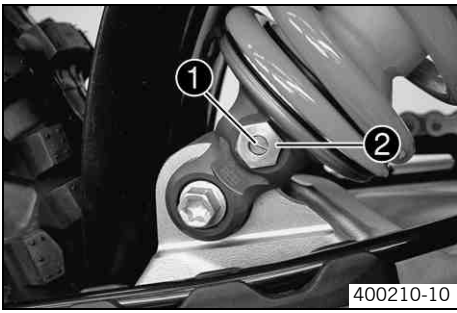
Compression damping, low-speed	
Comfort	22 clicks
Standard	20 clicks
Sport	15 clicks

**i Info**  
Turn clockwise to increase damping, turn counterclockwise to reduce suspension damping.

## Adjusting rebound damping of the shock absorber

**! Danger**  
**Danger of accidents** Disassembly of pressurized parts can lead to injury.

- The shock absorber is filled with high density nitrogen. Adhere to the description provided. (Your authorized KTM workshop will be glad to help.)



- Turn adjusting screw ❶ clockwise up to the last perceptible click.

**i Info**  
Do not loosen nut ❷!

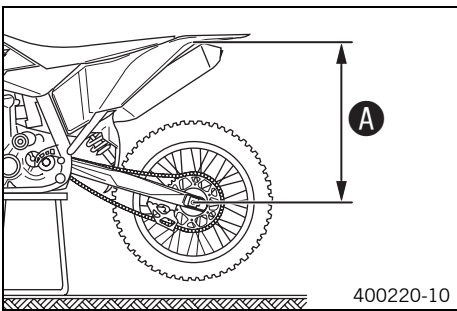
- Turn back counterclockwise by the number of clicks corresponding to the shock absorber type.

**Guideline**

Rebound damping	
Comfort	26 clicks
Standard	24 clicks
Sport	22 clicks

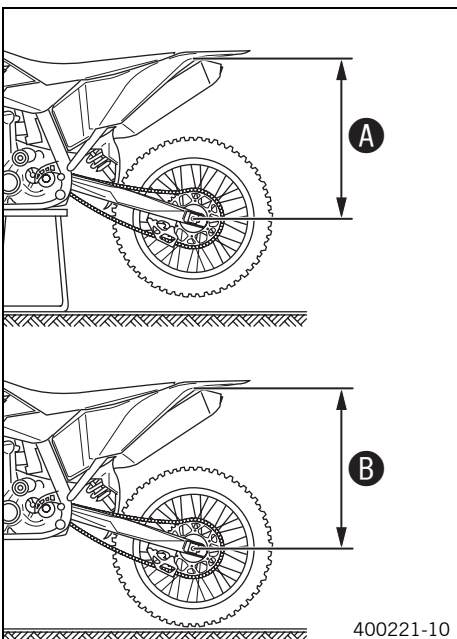
**i Info**  
Turn clockwise to increase damping, turn counterclockwise to reduce suspension damping.

## Measuring rear wheel sag unloaded



- Jack up the motorcycle. (☞ p. 38)
- Measure the distance – as vertical as possible – between the rear axle and a fixed point, for example, a mark on the side cover.
- Make a note of the value as measurement **A**.
- Remove the motorcycle from the work stand. (☞ p. 38)

## Checking static sag of shock absorber



- Measure distance **A** of rear wheel unloaded. (☞ p. 40)
- Ask someone to help you by holding the motorcycle upright.
- Measure the distance between the rear axle and the fixed point again.
- Make a note of the value as measurement **B**.

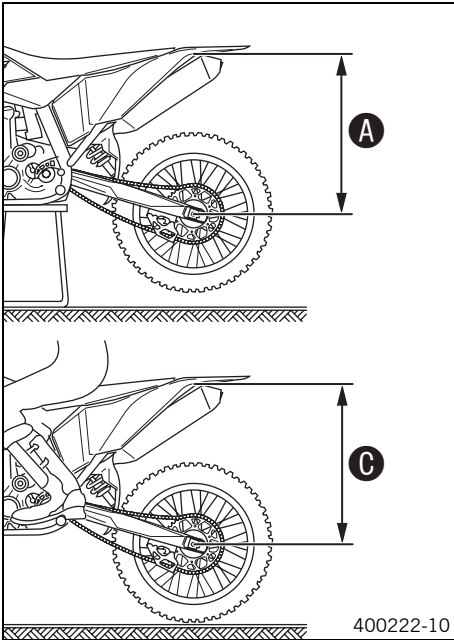
**i Info**  
The static sag is the difference between measurements **A** and **B**.

- Check the static sag.

Static sag	35 mm (1.38 in)
------------	-----------------

- » If the static sag is less or more than the specified value:
  - Adjust the spring preload of the shock absorber. ☞ (☞ p. 41)

## Checking riding sag of shock absorber



- Measure distance **A** of rear wheel unloaded. (☞ p. 40)
- With the help of another person holding the motorcycle, the rider, wearing complete clothing, sits on the motorcycle in a normal position (feet on footrests) and rocks up and down a few times so that the rear wheel suspension levels out.
- The other person now has to measure the distance between the rear axle and a fixed point.
- Make a note of the value as measurement **C**.

**i Info**

The riding sag is the difference between measurements **A** and **C**.

- Check the riding sag.

Riding sag	105 mm (4.13 in)
------------	------------------

- » If the riding sag differs from the specified measurement:
  - Adjust the riding sag. ☞ (☞ p. 42)

## Adjusting spring preload of the shock absorber ☞

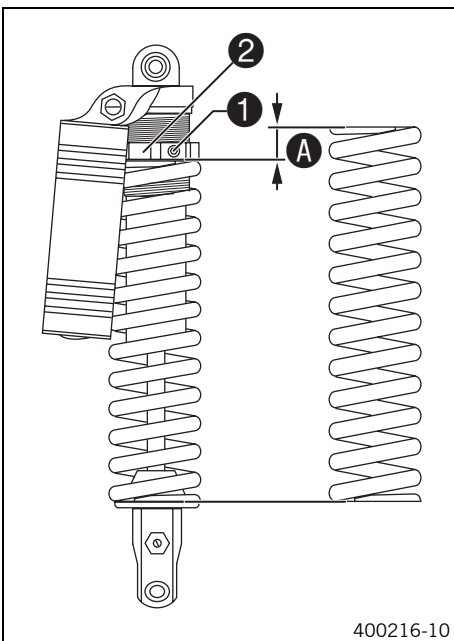
**! Danger**

**Danger of accidents** Disassembly of pressurized parts can lead to injury.

- The shock absorber is filled with high density nitrogen. Adhere to the description provided. (Your authorized KTM workshop will be glad to help.)

**i Info**

Before changing the spring preload, make a note of the present setting, e.g., by measuring the length of the spring.



- Remove shock absorber. ☞ (☞ p. 42)
- After removing the shock absorber, clean it thoroughly.
- Unscrew screw **1**.
- Turn adjusting ring **2** until the spring is no longer under tension.

Combination wrench (50329080000)
Hook wrench (T106S)

- Measure the overall spring length when not under tension.
- Tighten the spring by turning adjusting ring **2** to measurement **A**.

Guideline

Spring preload	9 mm (0.35 in)
----------------	----------------

**i Info**

Depending on the static sag and/or the riding sag, it may be necessary to increase or decrease the spring preload.

- Tighten screw **1**.

Guideline

Screw, shock absorber adjusting ring	M6	5 Nm (3.7 lbf ft)
--------------------------------------	----	-------------------

- Install the shock absorber. ☞ (☞ p. 42)

## Adjusting riding sag 🛠️

- Remove shock absorber. 🛠️ (🔧 p. 42)
- After removing the shock absorber, clean it thoroughly.
- Choose and fit a suitable spring.

Guideline

Spring rate	
Weight of rider: 65... 75 kg (143... 165 lb.)	69 N/mm (394 lb/in)
Weight of rider: 75... 85 kg (165... 187 lb.)	72 N/mm (411 lb/in)
Weight of rider: 85... 95 kg (187... 209 lb.)	76 N/mm (434 lb/in)

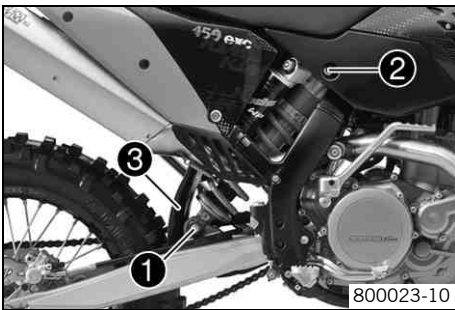


### Info

The spring rate is shown on the outside of the spring.  
Smaller weight differences can be compensated by changing the spring preload.

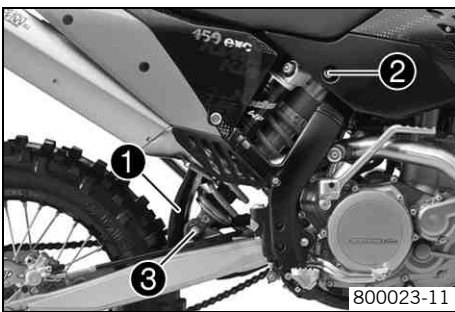
- Install the shock absorber. 🛠️ (🔧 p. 42)
- Check the static sag of the shock absorber. (🔧 p. 40)
- Check the riding sag of the shock absorber. (🔧 p. 41)
- Adjust the rebound damping of the shock absorber. (🔧 p. 39)

## Removing the shock absorber 🛠️



- Jack up the motorcycle. (🔧 p. 38)
- Remove screw ❶ and lower the rear wheel with the swing arm as far as possible without blocking the rear wheel. Fix the rear wheel in this position.
- Remove screw ❷, push splash protector ❸ to the side, and remove the shock absorber.

## Installing the shock absorber 🛠️



- Push splash protector ❶ to the side and position the shock absorber. Mount and tighten screw ❷.

Guideline

Screw, top shock absorber	M12	80 Nm (59 lbf ft)	<b>Loctite® 243™</b>
---------------------------	-----	----------------------	----------------------

- Mount and tighten screw ❸.

Guideline

Screw, bottom shock absorber	M12	80 Nm (59 lbf ft)	<b>Loctite® 243™</b>
------------------------------	-----	----------------------	----------------------



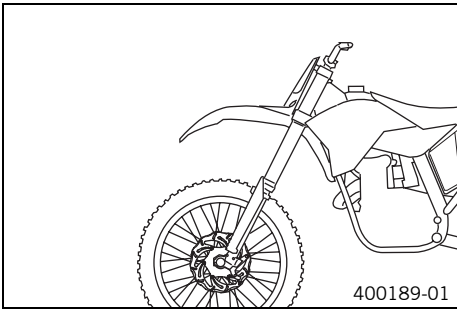
### Info

The heim joint for the shock absorber at the swing arm is Teflon coated. It must not be greased with grease or with other lubricants. Lubricants dissolve the Teflon coating, thereby drastically reducing the service life.

- Remove the motorcycle from the work stand. (🔧 p. 38)

## Checking basic setting of fork

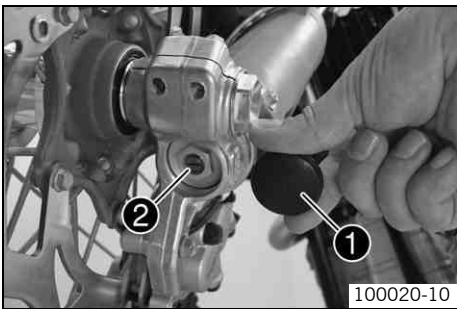
**i Info**  
For various reasons, no exact riding sag can be determined for the forks.



- As with the shock absorber, smaller weight differences can be compensated by the spring preload.
- However, if your fork is often overloaded (hits the bump stops on compression), it is recommended to fit stiffer springs to avoid damage to the fork and frame.

## Adjusting the compression damping of the fork

**i Info**  
The hydraulic compression damping determines the fork suspension behavior.



- Remove protection covers ❶.
- Turn adjusting screws ❷ clockwise until they stop.

**i Info**  
The adjusting screws ❷ are located at the bottom end of the fork legs. Make sure the setting is identical on both fork legs.

- Turn back counterclockwise by the number of clicks corresponding to the fork type. Guideline

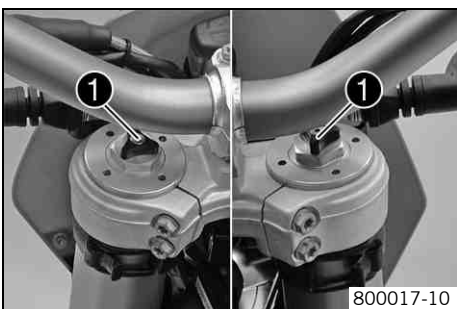
Compression damping	
Comfort	26 clicks
Standard	22 clicks
Sport	18 clicks

**i Info**  
Turn clockwise to increase damping, turn counterclockwise to reduce suspension damping.

- Mount protection covers ❶.

## Adjusting rebound damping of fork

**i Info**  
The hydraulic rebound damping determines the fork suspension behavior.



- Turn adjusting screws ❶ clockwise until they stop.

**i Info**  
The adjusting screws ❶ are located at the top end of the fork legs. Make sure the setting is identical on both fork legs.

- Turn back counterclockwise by the number of clicks corresponding to the fork type. Guideline

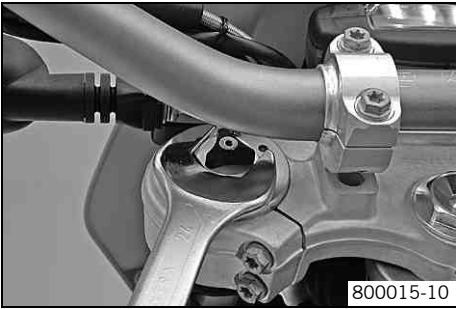
Rebound damping	
Comfort	24 clicks
Standard	20 clicks
Sport	20 clicks



**Info**

Turn clockwise to increase damping, turn counterclockwise to reduce suspension damping.

### Adjusting spring preload of the fork



- Turn adjusting screws counterclockwise until they stop.



**Info**

Make sure the setting is identical on both fork legs.

- Turn back clockwise by the number of turns corresponding to the fork type.

Guideline

Spring preload - <b>Preload Adjuster</b>	
Comfort	0 turn
Standard	2 turns
Sport	4 turns



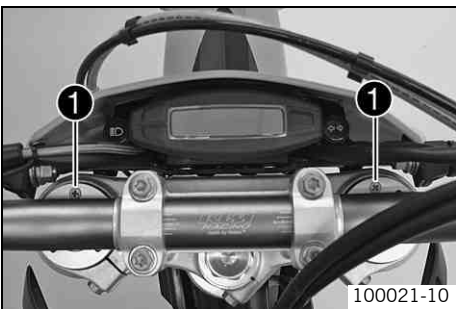
**Info**

Turn clockwise to increase spring preload, turn counterclockwise to reduce spring preload.

Adjusting the spring preload has no influence on the absorption setting of the rebound damping.

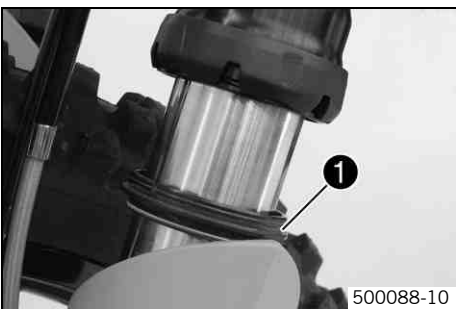
Basically, however, you should set the rebound damping higher with a higher spring preload.

### Bleeding fork legs



- Jack up the motorcycle. (☞ p. 38)
- Remove bleeder screws ❶ briefly.
- ✓ Any excess pressure escapes from the interior of the fork.
- Mount and tighten bleeder screws.
- Remove the motorcycle from the work stand. (☞ p. 38)

### Cleaning the dust boots of the fork legs



- Jack up the motorcycle. (☞ p. 38)
- Loosen the fork protector. (☞ p. 45)
- Push dust boots ❶ of both fork legs downwards.



**Info**

The dust boots should remove dust and coarse dirt particles from the fork tubes. Over time, there is an ingress of dirt inside the boots. If this dirt is not removed, it may cause the oil seals to leak.



**Warning**

**Danger of accidents** Reduced braking efficiency due to oil or grease on the brake discs.

- Always keep the brake discs free of oil and grease, and clean them with brake cleaner when necessary.

- Clean and oil the dust boots and inner fork tube of both fork legs.

Universal oil spray (☞ p. 108)

- Press the dust boots back into their normal position.



- Remove excess oil.
- Position the fork protector. (☛ p. 45)
- Remove the motorcycle from the work stand. (☛ p. 38)

## Loosening the fork protector



600875-11

- Remove screws ❶ and remove the clamp.
- Remove screws ❷ on the left fork leg. Push the fork protector downwards.
- Remove the screws on the right fork leg. Push the fork protector downwards.

## Positioning the fork protector



600875-10

- Position the fork protector on the left fork leg. Mount and tighten screws ❶.

Guideline

Remaining screws, chassis	M6	10 Nm (7.4 lbf ft)
---------------------------	----	--------------------

- Position the brake line and wiring harness. Put the clamp on, and mount and tighten screws ❷.

- Position the fork protector on the right fork leg. Mount and tighten the screws.

Guideline

Remaining screws, chassis	M6	10 Nm (7.4 lbf ft)
---------------------------	----	--------------------

## Checking steering head bearing play



### Warning

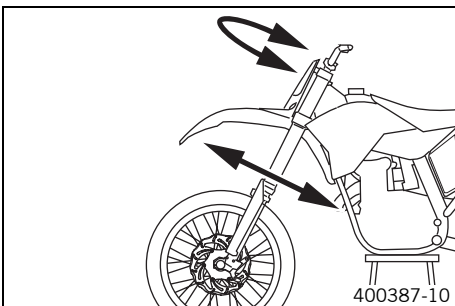
**Danger of accidents** Unstable vehicle handling from incorrect steering head bearing play.

- Adjust the steering head bearing play without delay. (Your authorized KTM workshop will be glad to help.)



### Info

If the bike is driven for a longer time with play in the steering head bearing, the bearing and the bearing seats in the frame can be damaged after time.



400387-10

- Jack up the motorcycle. (☛ p. 38)
- Move the handlebar to the straight-ahead position. Move the fork legs to and fro in the direction of travel.

No play should be noticeable in the steering head bearing.

» If there is noticeable play present:

- Adjust play of the steering head bearing. ☛ (☛ p. 46)

- Move the handlebar to and fro over the entire steering range.

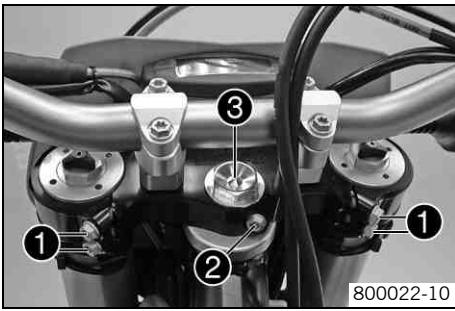
The handlebar must be able to move easily over the entire steering range. No resting locations should be noticeable.

» If click positions are noticeable:

- Adjust play of the steering head bearing. ☛ (☛ p. 46)
- Check the steering head bearing and replace if required.

- Remove the motorcycle from the work stand. (☛ p. 38)

## Adjusting play of steering head bearing



- Jack up the motorcycle. (☛ p. 38)
- Loosen screw ❶. Remove screw ❷.
- Loosen and retighten screw ❸.

Guideline

Screw, top steering head	M20x1.5	10 Nm (7.4 lbf ft)
--------------------------	---------	--------------------

- Using a plastic hammer, tap lightly on the upper triple clamp to avoid strains.
- Fully tighten screw ❶.

Guideline

Screw, top triple clamp	M8	17 Nm (12.5 lbf ft)
-------------------------	----	---------------------

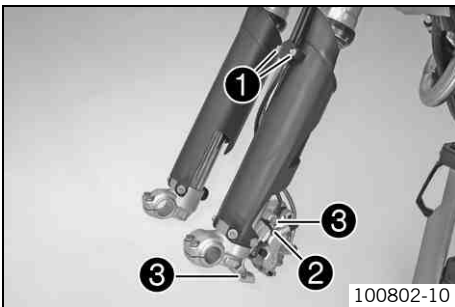
- Mount and tighten screw ❷.

Guideline

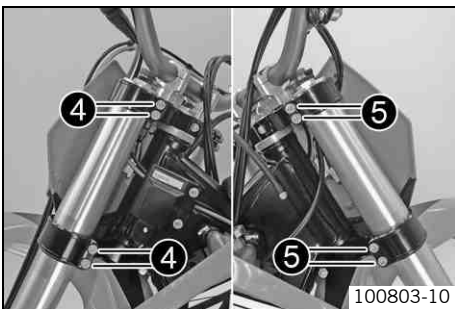
Screw, top steering stem	M8	17 Nm (12.5 lbf ft)	<b>Loctite® 243™</b>
--------------------------	----	---------------------	----------------------

- Check the steering head bearing play. (☛ p. 45)

## Removing the fork legs

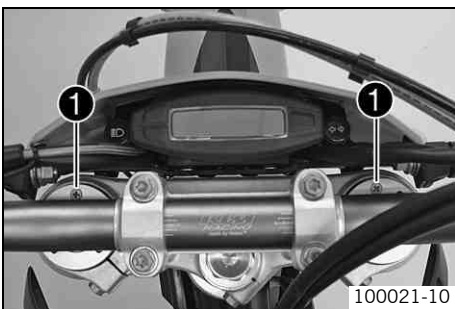


- Remove front wheel. (☛ p. 64)
- Remove screws ❶ and remove the clamp.
- Remove cable clip ❷, remove screw ❸ and remove the brake caliper.
- Allow the brake caliper and brake line to hang tension-free to the side.



- Unscrew screws ❹. Take out the left fork leg.
- Unscrew screws ❺. Take out the right fork leg.

## Installing fork legs



- Position the fork legs.

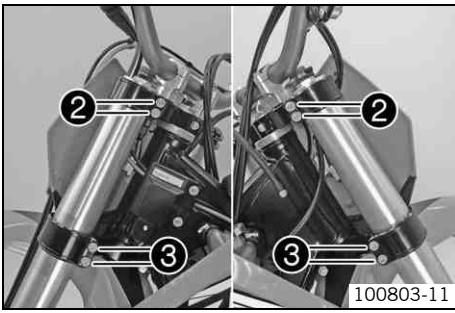


**Info**

The topmost milled groove in the fork leg must be flush to the upper edge of the upper triple clamp.

Position bleeder screws ❶ toward the front.





- Fully tighten screw ②.

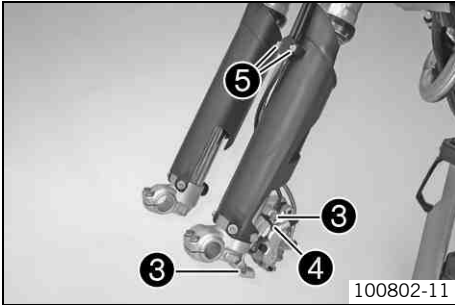
Guideline

Screw, top triple clamp	M8	17 Nm (12.5 lbf ft)
-------------------------	----	------------------------

- Tighten screws ③.

Guideline

Screw, bottom triple clamp	M8	12 Nm (8.9 lbf ft)
----------------------------	----	--------------------



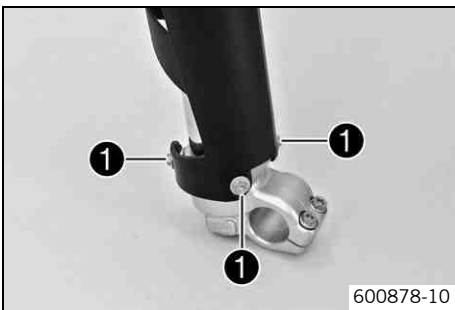
- Position brake caliper, mount and tighten screws ⑤.

Guideline

Screw, front brake caliper	M8	25 Nm (18.4 lbf ft)	<b>Loctite® 243™</b>
----------------------------	----	------------------------	----------------------

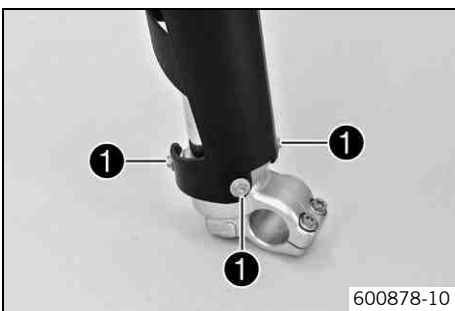
- Mount cable clip ④.
- Position the brake line and wiring harness. Put the clamp on, mount and tighten screws ⑤.
- Install the front wheel. 🛠️ (📖 p. 65)

## Removing the fork protector 🛠️



- Remove the fork legs. 🛠️ (📖 p. 46)
- Remove screws ① on the left fork leg. Remove the fork protector upwards.
- Remove the screws on the right fork leg. Remove the fork protector upwards.

## Installing the fork protector 🛠️



- Position the fork protection on the left fork leg. Mount and tighten screws ①.

Guideline

Remaining screws, chassis	M6	10 Nm (7.4 lbf ft)
---------------------------	----	--------------------

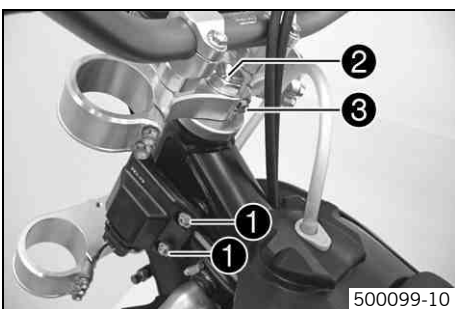
- Position the fork protection on the right fork leg. Mount and tighten the screws.

Guideline

Remaining screws, chassis	M6	10 Nm (7.4 lbf ft)
---------------------------	----	--------------------

- Install the fork legs. 🛠️ (📖 p. 46)

## Removing the lower triple clamp 🛠️

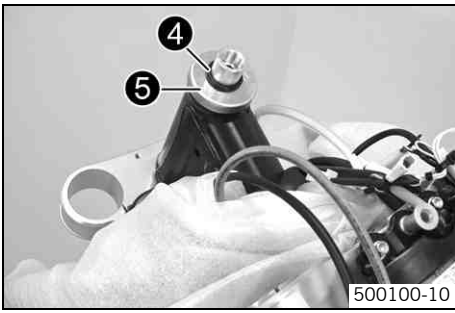


- Remove the fork legs. 🛠️ (📖 p. 46)
- Remove the headlight mask with the headlight. (📖 p. 49)
- Remove the front fender. (📖 p. 49)
- Remove screws ① and hang the CDI control unit to the side.

**i Info**  
Do not unplug the CDI control unit.

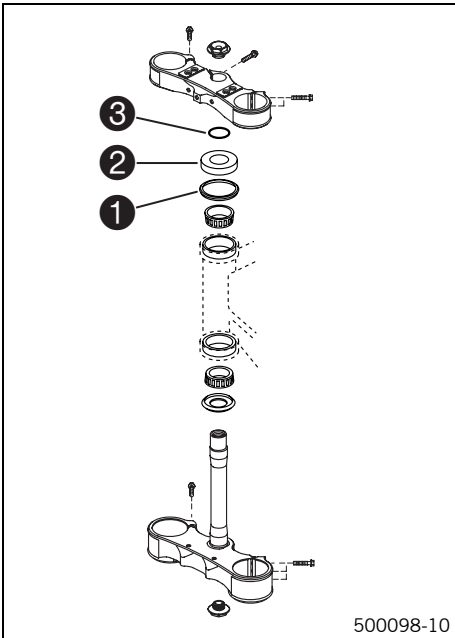
- Remove screw ②. Remove screw ⑤, take off top triple clamp with the handlebar and place it on one side.

**i Info**  
Protect the motorcycle and its attachments from damage by covering them. Do not bend the cables and lines.



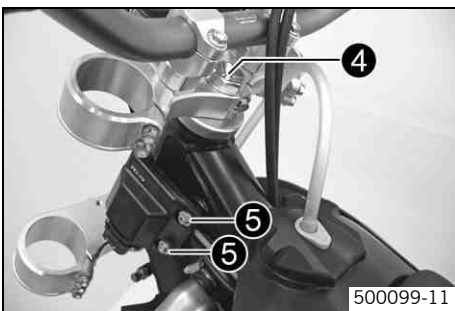
- Remove o-ring ④. Remove protector ring ⑤.
- Remove the lower triple clamp with the steering stem.
- Remove the upper steering head bearing.

## Installing the lower triple clamp



- Clean the bearing and sealing elements, check for damage, and grease.
 

Long-life grease (☛ p. 107)
-----------------------------
  - Insert the lower triple clamp with the steering stem. Mount the upper steering head bearing.
- 
- i Info**  
Check whether the top steering head seal ① is correctly positioned.
- 
- Push up protective ring ② and o-ring ③.



- Position the upper triple clamp with the steering.
- Mount and tighten screw ④.

Guideline

Screw, top steering head	M20x1.5	10 Nm (7.4 lbf ft)
--------------------------	---------	--------------------

- Position the clutch line, wiring harness and CDI control unit. Mount and tighten screws ⑤.

Guideline

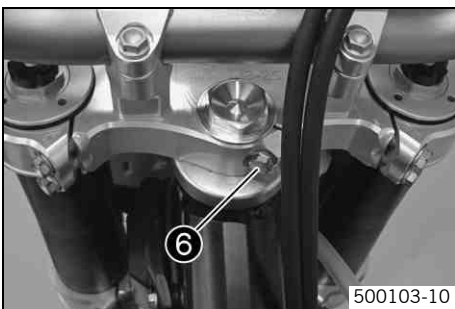
Remaining screws, chassis	M6	10 Nm (7.4 lbf ft)
---------------------------	----	--------------------

- Install the front fender. (☛ p. 49)
- Refit the headlight mask with the headlight. (☛ p. 50)
- Install the fork legs. ☛ (☛ p. 46)
- Mount and tighten screw ⑥.

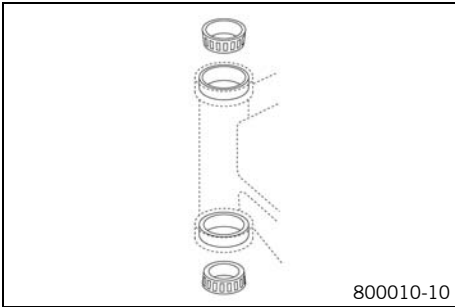
Guideline

Screw, top steering stem	M8	17 Nm (12.5 lbf ft)	<b>Loctite® 243™</b>
--------------------------	----	---------------------	----------------------

- Check the cable harness, cable, brake and clutch line for free movement and free laying.
- Check the steering head bearing play. (☛ p. 45)

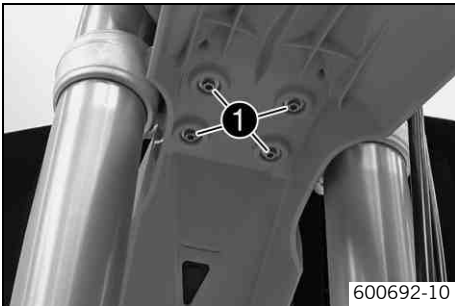


## Greasing the steering head bearing



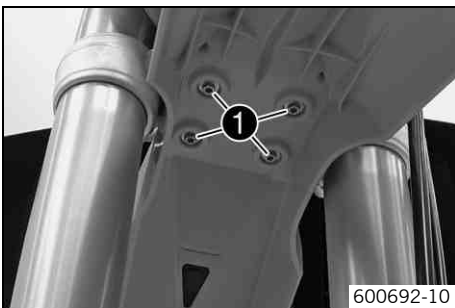
- Remove the lower triple clamp. (p. 47)
- Install the lower triple clamp. (p. 48)

## Removing the front fender



- Remove screws 1. Remove the front fender.
- Make sure the spacers remain in place.

## Installing the front fender



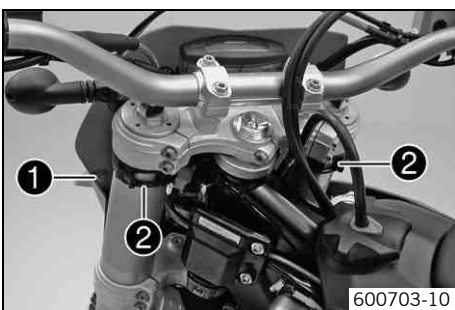
- Ensure that the spacers are mounted in the fender.
- Position the front fender. Mount and tighten screws 1.

Guideline

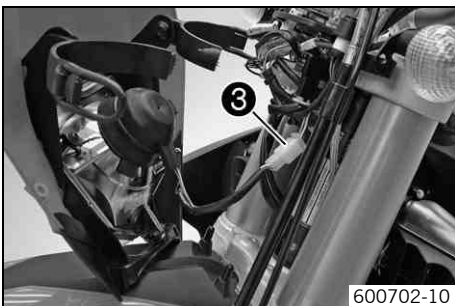
Remaining screws, chassis	M6	10 Nm (7.4 lbf ft)
---------------------------	----	--------------------

**i Info**  
Make sure the holding lugs engage in the start number plate or headlight mask.

## Removing headlight mask with headlight

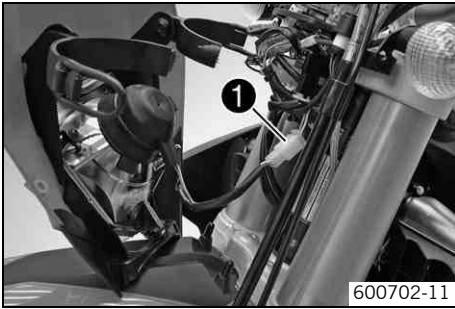


- Switch off all electrical equipment.
- Remove screw 1 and take off clamp.
- Loosen the rubber band 2. Push up the headlight mask and swing it forwards.

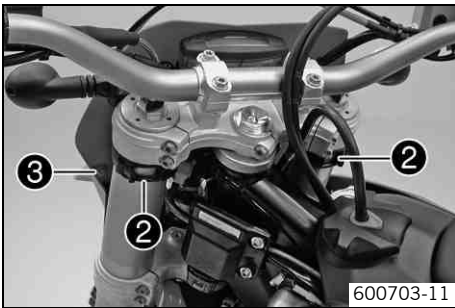


- Pull out the electric plug connector 3 and remove the headlight mask with the headlight.

## Refitting the headlight mask with the headlight



- Connect the electric plug connector ❶.



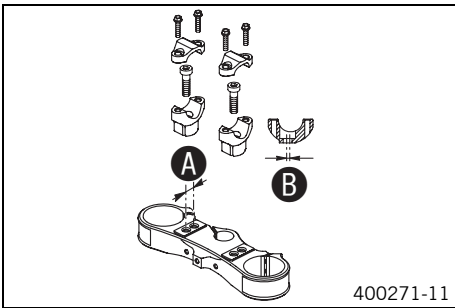
- Position the headlight mask and fix it with the rubber band ❷.

**i Info**

Ensure that the retaining lugs engage in the fender.

- Position the brake line and wiring harness. Put the clamp on, mount and tighten screw ❸.
- Check the headlight adjustment. (☛ p. 70)

## Handlebar position



On the upper triple clamp, there are 2 holes at a distance of **A** to each other.

Distance <b>A</b> between holes	15 mm (0.59 in)
---------------------------------	-----------------

The holes on the handlebar support are placed at a distance of **B** from the center.

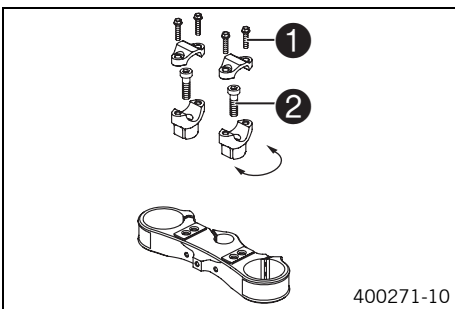
Distance <b>B</b> between holes	3.5 mm (0.138 in)
---------------------------------	-------------------

The handlebar supports can be mounted in 4 different positions.

## Adjusting the handlebar position ☞

**Warning**  
**Danger of accidents** Handlebar breakage.

- If the handlebar is bent or straightened it will cause material fatigue, and the handlebar can break. Always replace handlebar.



- Remove the four screws ❶. Remove the handlebar clamp. Remove the handlebar and lay it to one side.

**i Info**

Protect the motorcycle and its attachments from damage by covering them. Do not bend the cables and lines.

- Remove the two screws ❷. Remove the handlebar support.
- Place the handlebar support in the required position. Mount and tighten the two screws ❷.

Guideline

Screw, handlebar support	M10	40 Nm (29.5 lbf ft)	<b>Loctite® 243™</b>
--------------------------	-----	------------------------	----------------------

**i Info**

Position evenly the left and right handlebar supports.

- Position the handlebar.

**i Info**

Make sure cables and wiring are positioned correctly.

- Position the handlebar clamp. Mount and evenly tighten the four screws ❶.

Guideline

Screw, handlebar clamp	M8	20 Nm (14.8 lbf ft)
------------------------	----	------------------------



**Info**

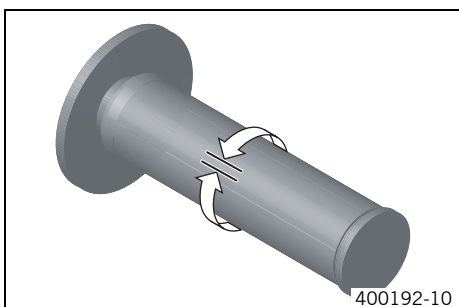
Make sure the gap width is even.

### Checking throttle cable route



- The two throttle cables must run parallel behind the handlebar down to the frame. They must be routed directly to the right of the frame above the tank bracket towards the carburetor.

### Checking the play in the throttle cable



- Move the handlebar to the straight-ahead position. Move the throttle grip backwards and forwards to ascertain the play in the throttle cable.

Play in throttle cable	3... 5 mm (0.12... 0.2 in)
------------------------	----------------------------

- » If the throttle cable play does not meet specifications:
  - Adjust the play in the throttle cable. 🛠️ (☞ p. 51)



**Danger**

**Danger of poisoning** Exhaust gases are poisonous and inhaling them may result in unconsciousness and/or death.

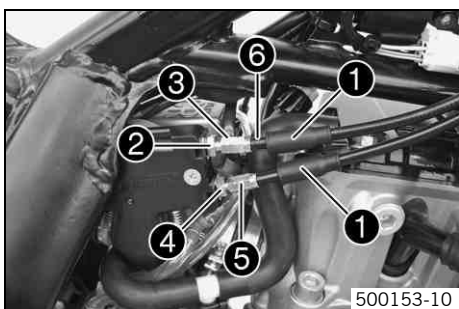
- When running the engine, always make sure there is sufficient ventilation, and do not start or run the engine in an enclosed space without an effective exhaust extraction system.

- Start the engine and let it run idle. Move the handlebar to and fro over the entire steering range.

The idle speed must not change.
---------------------------------

- » If the idle speed changes:
  - Adjust the play in the throttle cable. 🛠️ (☞ p. 51)

### Adjusting the play in the throttle cable 🛠️



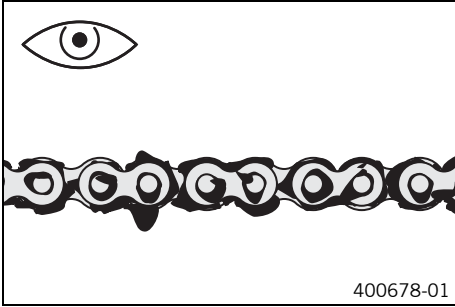
- Remove the fuel tank. 🛠️ (☞ p. 71)
- Check throttle cable route. (☞ p. 51)
- Move the handlebar to the straight-ahead position.
- Push back bellows ❶.
- Loosen nut ❷. Turn adjusting screw ❸ in as far as possible.
- Loosen nut ❹. Turn adjusting screw ❺ so that there is play in the gas throttle cable at the throttle grip.

Guideline

Play in throttle cable	3... 5 mm (0.12... 0.2 in)
------------------------	----------------------------

- Tighten nut ❹.
- Press and hold the throttle grip in the closed setting. Turn adjusting screw ❸ out until there is no play in the throttle cable ❻.
- Tighten nut ❷.
- Push bellows ❶ on. Check the throttle grip for smooth operation.
- Install the fuel tank. 🛠️ (☞ p. 72)
- Check the play in the throttle cable. (☞ p. 51)

## Checking for chain dirt accumulation



- Check the chain for coarse dirt accumulation.
  - » If the chain is very dirty:
    - Clean the chain. (☛ p. 52)

## Cleaning the chain

**Warning**  
**Danger of accidents** Oil or grease on the tires reduces their grip.

- Remove oil and grease with a suitable cleaning material.

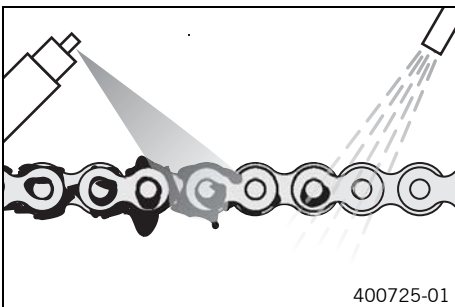
**Warning**  
**Danger of accidents** Reduced braking efficiency due to oil or grease on the brake discs.

- Always keep the brake discs free of oil and grease, and clean them with brake cleaner when necessary.

**Warning**  
**Environmental hazard** Hazardous substances cause environmental damage.

- Oil, grease, filters, fuel, cleaners, brake fluid, etc., should be disposed of as stipulated in applicable regulations.

**Info**  
 The service life of the chain depends largely on its maintenance.



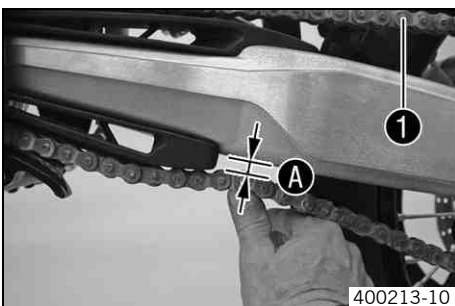
- Clean the chain regularly and then treat with chain spray.

Chain cleaner (☛ p. 107)
Off-road chain spray (☛ p. 107)

## Checking the chain tension

**Warning**  
**Danger of accidents** Danger caused by incorrect chain tension.

- If the chain tension is too high, the components of the secondary power train (chain, engine sprocket, rear sprocket, bearings in transmission and rear wheel) are under additional load. Apart from premature wear, in extreme cases the chain can rupture or the countershaft of the transmission can break. On the other hand, if the chain is loose, it can fall off the engine sprocket or the rear sprocket and block the rear wheel or damage the engine. Check the chain tension and correct if necessary.



- Jack up the motorcycle. (☛ p. 38)
- Push the chain up at the rear edge of the chain guide to measure the chain tension **A**.

**Info**  
 The upper chain section **1** must be taut.  
 Chain wear is not always even, so you should repeat this measurement at different chain positions.

Chain tension	8... 10 mm (0.31... 0.39 in)
---------------	------------------------------

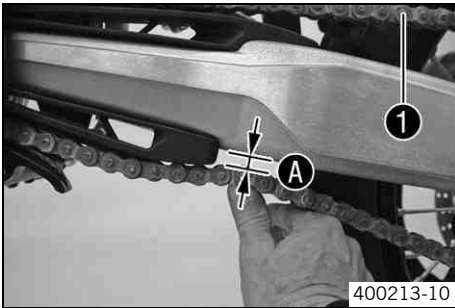


- » If the chain tension does not meet specifications:
  - Adjusting chain tension - after checking. (☛ p. 55)
  - Remove the motorcycle from the work stand. (☛ p. 38)

## Checking chain tension when fitting rear wheel

**Warning**  
**Danger of accidents** Danger caused by incorrect chain tension.

- If the chain tension is too high, the components of the secondary power train (chain, engine sprocket, rear sprocket, bearings in transmission and rear wheel) are under additional load. Apart from premature wear, in extreme cases the chain can rupture or the countershaft of the transmission can break. On the other hand, if the chain is loose, it can fall off the engine sprocket or the rear sprocket and block the rear wheel or damage the engine. Check the chain tension and correct if necessary.



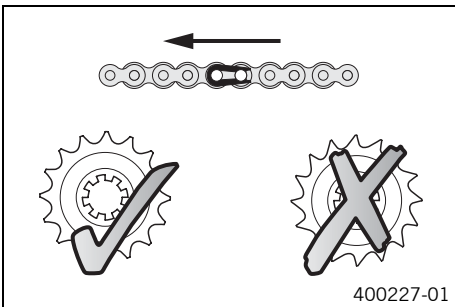
- Make sure that the chain adjusters are fitted correctly on the adjusting screws.
- Push the chain up at the rear edge of the chain guide to measure the chain tension **A**.

**i Info**  
 The upper chain section **1** must be taut.  
 Chain wear is not always even, so you should repeat this measurement at different chain positions.

Chain tension	8... 10 mm (0.31... 0.39 in)
---------------	------------------------------

- » If the chain tension does not meet specifications:
  - Adjust the chain tension when fitting rear wheel. (☛ p. 55)

## Checking the rear sprocket/engine sprocket for wear

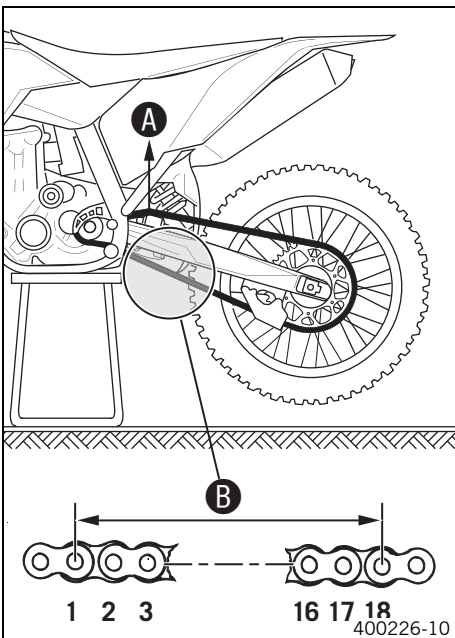


- Check rear sprocket/engine sprocket for wear.
- » If the rear sprocket / engine sprocket are worn:
  - Replace the rear sprocket/engine sprocket.

**i Info**  
 When fitting the split link, always make sure that the closed side of the locking clip faces forward (riding direction).  
 The engine sprocket, rear sprocket and chain should always be replaced together.

- Check the chain guide for tightness and wear.

## Checking chain wear



- Jack up the motorcycle. (☛ p. 38)
- Shift transmission to neutral.
- Pull on the upper part of the chain with the specified weight **A**.

Guideline

Weight of chain wear measurement	10... 15 kg (22... 33 lb.)
----------------------------------	----------------------------

- Measure the distance **B** of 18 chain links in the lower chain section.

**i Info**  
 Chain wear is not always even, so you should repeat this measurement at different chain positions.

Maximum distance <b>B</b> at the longest chain section	272 mm (10.71 in)
--	-------------------

- » If the distance **B** is greater than the specified measurement:
  - Replace the chain.

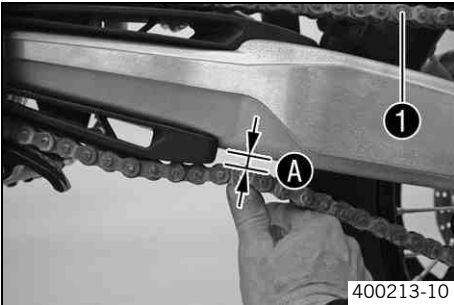
**i Info**  
 When you replace the chain, you should also replace rear sprocket and engine sprocket.  
 New chains wear out faster on old, worn sprockets.

- Remove the motorcycle from the work stand. (☛ p. 38)

## Adjusting chain tension

**Warning**  
**Danger of accidents** Danger caused by incorrect chain tension.

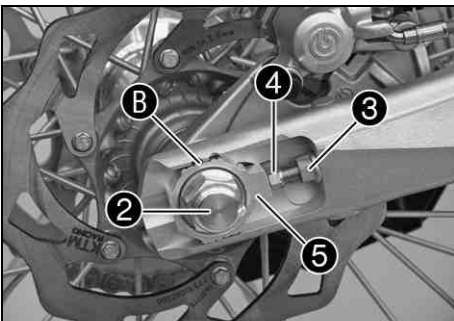
- If the chain tension is too high, the components of the secondary power train (chain, engine sprocket, rear sprocket, bearings in transmission and rear wheel) are under additional load. Apart from premature wear, in extreme cases the chain can rupture or the countershaft of the transmission can break. On the other hand, if the chain is loose, it can fall off the engine sprocket or the rear sprocket and block the rear wheel or damage the engine. Check the chain tension and correct if necessary.



400213-10

- Jack up the motorcycle. (☛ p. 38)
- Push the chain up at the rear edge of the chain guide to measure the chain tension **A**.

**i Info**  
 The upper chain section **1** must be taut.  
 Chain wear is not always even, so you should repeat this measurement at different chain positions.



400225-10

- Loosen nut **2**.
- Loosen nuts **3**.
- Adjust the chain tension by turning the adjusting screws **4** left and right.

Guideline

Chain tension	8... 10 mm (0.31... 0.39 in)
Turn adjusting screws <b>4</b> on the left and right so that the markings on the left and right chain adjusters are in the same position relative to the reference marks <b>B</b> . The rear wheel is then correctly aligned.	

- Tighten nuts **3**.
- Make sure that chain adjusters **5** are fitted correctly on adjusting screws **4**.
- Tighten nut **2**.

Guideline

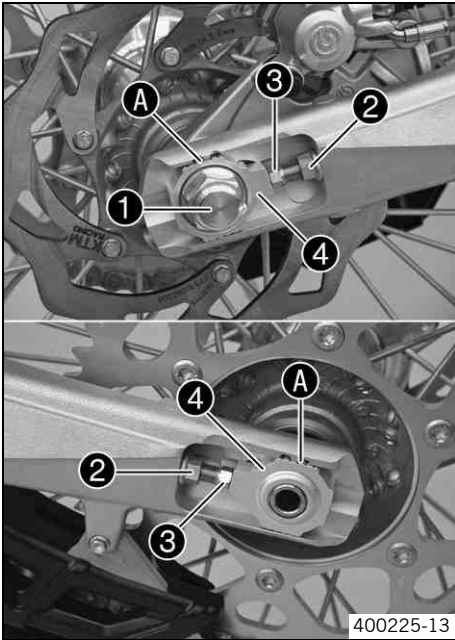
Nut, rear wheel spindle	M20x1.5	80 Nm (59 lbf ft)
-------------------------	---------	-------------------

**i Info**  
 The wide adjustment range of the chain adjusters (32 mm) enables different secondary transmissions with the same chain length.  
 Chain adjusters **5** can be turned by 180°.

- Remove the motorcycle from the work stand. (☛ p. 38)



## Adjusting chain tension - after checking



- Loosen nut ❶.
- Loosen nuts ❷.
- Adjust the chain tension by turning the adjusting screws ❸ left and right.

Guideline

Chain tension	8... 10 mm (0.31... 0.39 in)	
Turn the adjusting screws ❸ left and right so that the markings on the left and right chain adjusters are in the same position relative to the reference marks A. The rear wheel is then correctly aligned.		

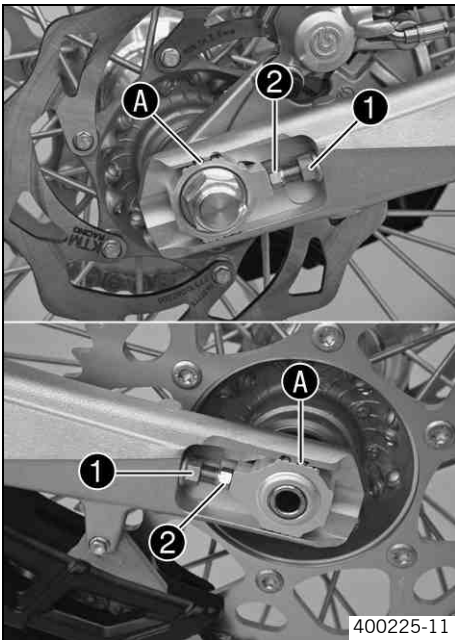
- Tighten nuts ❷.
- Make sure that the chain adjusters ❹ are fitted correctly on the adjusting screws ❸.
- Tighten nut ❶.

Guideline

Nut, rear wheel spindle	M20x1.5	80 Nm (59 lbf ft)
-------------------------	---------	-------------------

**i Info**  
The wide adjustment range of the chain adjusters (32 mm) enables different secondary transmissions with the same chain length. The chain adjusters ❹ can be turned by 180°.

## Adjusting chain tension - fitting rear wheel



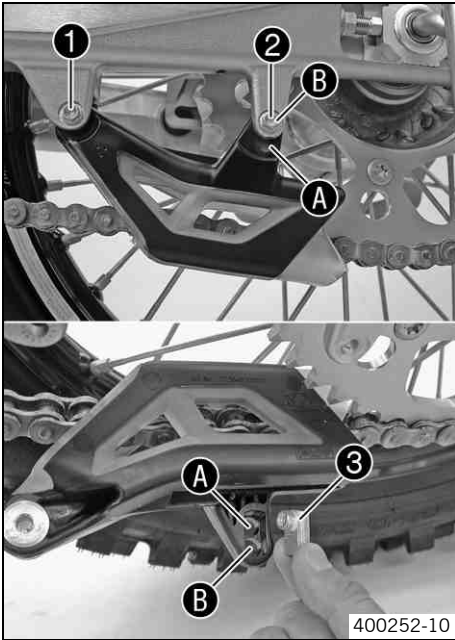
- Loosen nuts ❶.
- Adjust the chain tension by turning the adjusting screws ❷ left and right.

Guideline

Chain tension	8... 10 mm (0.31... 0.39 in)	
Turn the adjusting screws ❷ left and right so that the markings on the left and right chain adjusters are in the same position relative to the reference marks A. The rear wheel is then correctly aligned.		

- Tighten nuts ❶.

## Adjusting chain guide ↩



- Remove screws ❶ and ❷. Take off the chain guide.

**Condition**

Number of teeth: ≤ 44 teeth

- Insert nut ❸ in hole ❹. Position the chain guide.
- Mount and tighten screws ❶ and ❷.

Guideline

Remaining screws, chassis	M6	10 Nm (7.4 lbf ft)
---------------------------	----	-----------------------

**Condition**

Number of teeth: ≥ 45 teeth

- Insert nut ❸ in hole ❺. Position the chain guide.
- Mount and tighten screws ❶ and ❷.

Guideline

Remaining screws, chassis	M6	10 Nm (7.4 lbf ft)
---------------------------	----	-----------------------

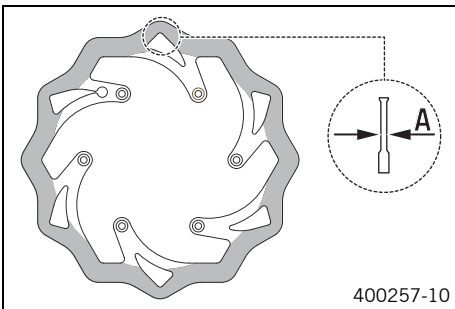
## Checking brake discs



**Warning**

**Danger of accidents** Reduced braking efficiency due to worn brake disc(s).

- Change the worn brake disc(s) without delay. (Your authorized KTM workshop will be glad to help.)



- Check the thickness of the front and rear brake discs at several places on the disk to see if it conforms to measurement ❶.



**Info**

Wear reduces the thickness of the brake disc around the area used by the brake linings.

Brake discs - wear limit	
Front	2.5 mm (0.098 in)
Rear	3.5 mm (0.138 in)

- » If the brake disc thickness is less than the specified value:
  - Change the brake disc.
- Check the front and rear brake discs for damage, cracking and deformation.
  - » If the brake disc shows signs of damage, cracking or deformation:
    - Change the brake disc.

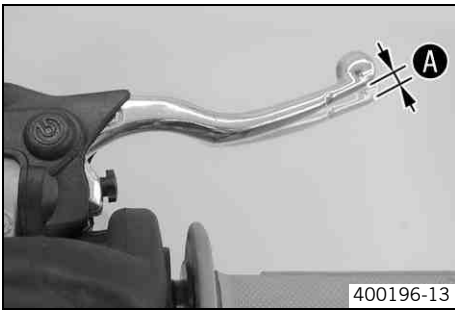
## Checking free travel of hand brake lever



**Warning**

**Danger of accidents** Brake system failure.

- If there is no free travel on the hand brake lever, pressure builds up in the front brake circuit. The front brake can fail due to overheating. Adjust free travel on hand brake lever according to specifications.

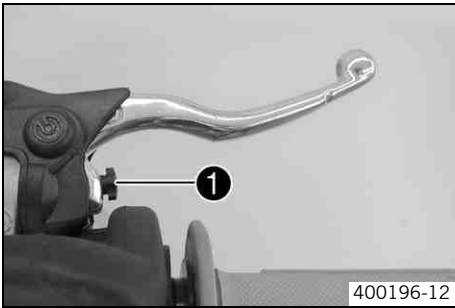


- Push the hand brake to the handlebar and check free travel **A**.

Free travel of hand brake lever	≥ 3 mm (≥ 0.12 in)
---------------------------------	--------------------

- » If the free travel does not meet specifications:
  - Adjust the free travel of the hand brake lever. (🔧 p. 57)

## Adjusting free travel of hand brake lever



- Check the free travel of the hand brake lever. (🔧 p. 56)
- Adjust the free travel of the hand brake lever with adjusting screw **1**.

### **i** Info

Turn the adjustment screw clockwise to reduce free travel. The pressure point moves away from the handlebar. Turn the adjustment screw counterclockwise to increase free travel. The pressure point moves towards the handlebar. The range of adjustment is limited. Turn the adjusting screw by hand only, and do not apply any force. Do not make any adjustments while riding!

## Checking the brake fluid level of the front brake



### Warning

**Danger of accidents** Failure of the brake system.

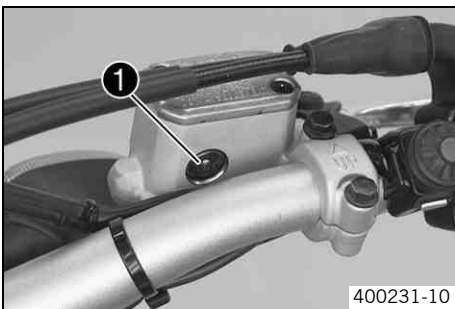
- If the brake fluid level falls below the **MIN** mark, this indicates a leakage in the brake system or worn-out brake linings. Check the brake system and do not continue riding. (Your authorized KTM workshop will be glad to help.)



### Warning

**Danger of accidents** Reduced braking effect caused by old brake fluid.

- Change the brake fluid of the front and rear brakes according to the service schedule. (Your authorized KTM workshop will be glad to help.)



- Move the brake fluid reservoir mounted on the handlebar to a horizontal position.
- Check the brake fluid level in viewer **1**.
  - » If the brake fluid is below the **MIN** mark:
    - Top up the brake fluid of the front brake. 🛠️ (🔧 p. 57)

## Topping up the front brake fluid 🛠️



### Warning

**Danger of accidents** Failure of the brake system.

- If the brake fluid level falls below the **MIN** mark, this indicates a leakage in the brake system or worn-out brake linings. Check the brake system and do not continue riding. (Your authorized KTM workshop will be glad to help.)



### Warning

**Skin irritation** Brake fluid can cause skin irritation on contact.

- Avoid contact with skin and eyes, and keep out of the reach of children.
- Wear suitable protective clothing and goggles.
- If brake fluid gets into your eyes, rinse thoroughly with water and contact a doctor immediately.

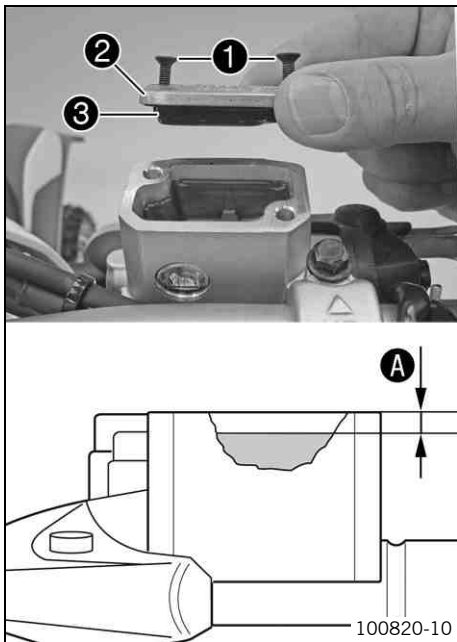
**Warning**  
**Danger of accidents** Reduced braking effect caused by old brake fluid.

- Change the brake fluid of the front and rear brakes according to the service schedule. (Your authorized KTM workshop will be glad to help.)

**Warning**  
**Environmental hazard** Hazardous substances cause environmental damage.

- Oil, grease, filters, fuel, cleaners, brake fluid, etc., should be disposed of as stipulated in applicable regulations.

**i Info**  
 Never use DOT 5 brake fluid! This is based on silicone oil and is colored purple. Oil seals and brake lines are not designed for DOT 5 brake fluid.  
 Avoid contact between brake fluid and painted parts. Brake fluid is corrosive!  
 Use only clean brake fluid from a sealed container!



- Move the brake fluid reservoir mounted on the handlebar to a horizontal position.
- Remove screws ①.
- Remove cover ② with membrane ③.
- Add brake fluid to level A.

Guideline

Measurement of A	5 mm (0.2 in)
Brake fluid DOT 4 / DOT 5.1 (☞ p. 105)	

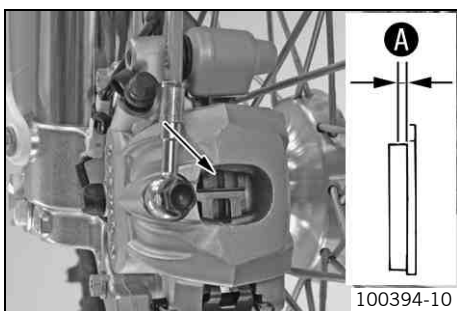
- Position the cover with the membrane. Mount and tighten the screws.

**i Info**  
 Clean up overflowed or spilt brake fluid immediately with water.

## Checking the front brake linings

**Warning**  
**Danger of accidents** Reduced braking efficiency caused by worn brake linings.

- Change worn brake linings immediately. (Your authorized KTM workshop will be glad to help.)










- Check the brake linings for minimum thickness A.

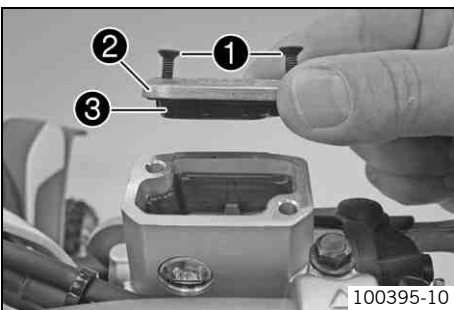
Minimum thickness A	≥ 1 mm (≥ 0.04 in)
---------------------	--------------------

- » If the minimum thickness is less than specified:
  - Change the front brake linings. ☞ (☞ p. 59)
- Check the brake linings for damage and cracking.
  - » If damage or cracking is visible:
    - Change the front brake linings. ☞ (☞ p. 59)


## Changing the front brake linings

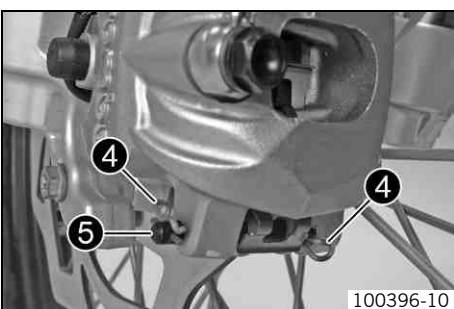
-  **Warning**  
**Danger of accident** Brake system failure.
  - Maintenance work and repairs must be carried out professionally. (Your authorized KTM workshop will be glad to help.)
-  **Warning**  
**Skin irritation** Brake fluid can cause skin irritation on contact.
  - Avoid contact with skin and eyes, and keep out of the reach of children.
  - Wear suitable protective clothing and goggles.
  - If brake fluid gets into your eyes, rinse thoroughly with water and contact a doctor immediately.
-  **Warning**  
**Danger of accidents** Reduced braking effect caused by old brake fluid.
  - Change the brake fluid of the front and rear brakes according to the service schedule. (Your authorized KTM workshop will be glad to help.)
-  **Warning**  
**Danger of accidents** Reduced braking efficiency due to oil or grease on the brake discs.
  - Always keep the brake discs free of oil and grease, and clean them with brake cleaner when necessary.
-  **Warning**  
**Danger of accidents** Reduced braking efficiency due to use of non-approved brake linings.
  - Brake linings available from accessory suppliers are often not tested and approved for use on KTM vehicles. The construction and friction factor of the brake linings and therefore the brake power can differ considerably from the original KTM brake linings. If brake linings are used that differ from the originals, there is no guarantee that they comply with the original license. The vehicle no longer corresponds to the condition at delivery, and the warranty is no longer valid.
-  **Warning**  
**Environmental hazard** Hazardous substances cause environmental damage.
  - Oil, grease, filters, fuel, cleaners, brake fluid, etc., should be disposed of as stipulated in applicable regulations.

 **Info**  
 Never use DOT 5 brake fluid! This is based on silicone oil and is colored purple. Oil seals and brake lines are not designed for DOT 5 brake fluid.  
 Avoid contact between brake fluid and painted parts. Brake fluid is corrosive!  
 Use only clean brake fluid from a sealed container!

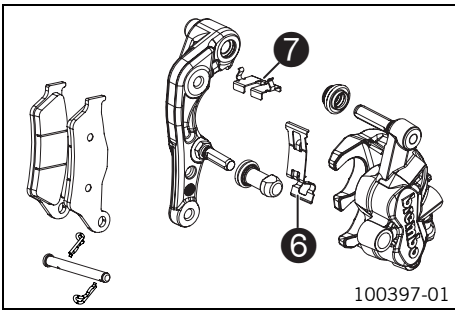


- Move the brake fluid reservoir mounted on the handlebar to a horizontal position.
- Remove screws **1**.
- Remove cover **2** with membrane **3**.
- Press the brake caliper by hand on to the brake disc in order to press back the brake pistons. Ensure that brake fluid does not overflow from the brake fluid reservoir, using suction to remove it if it does.

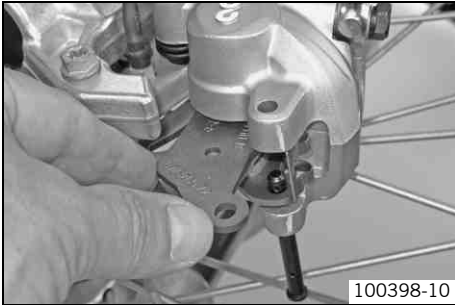
 **Info**  
 Make sure when pushing back the brake pistons that you do not press the brake caliper against the spokes.



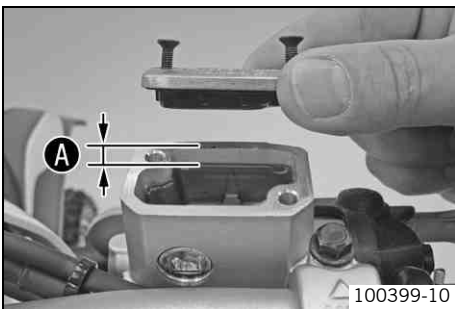
- Remove locking split pins **4**, withdraw bolt **5**, and take out the brake pads.
- Clean brake caliper and brake caliper support.



- Check that anti-squeal shim ⑥ in the brake caliper and anti-rattle shim ⑦ in the brake caliper support are seated correctly.



- Fit the brake pads, insert the bolt, and mount the locking split pins.
- Operate the hand brake lever repeatedly until the brake pads rest on the brake disc and there is a noticeable pressure point.



- Correct the brake fluid reservoir level to the marking ①.

Guideline

Measurement of ①	5 mm (0.2 in)
------------------	---------------

Brake fluid DOT 4 / DOT 5.1 (☞ p. 105)
--

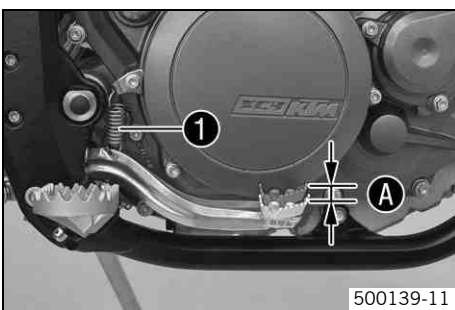
- Position the cover with the membrane. Mount and tighten the screws.

**i Info**  
Clean up overflowed or spilt brake fluid immediately with water.

## Checking the free travel of the foot brake lever

**Warning**  
**Danger of accidents** Brake system failure.

- If there is no free travel on the foot brake lever, pressure builds up on the rear brake circuit. The rear brake can fail due to overheating. Adjust free travel on foot brake lever according to specifications.



- Disconnect spring ①.
- Move the foot brake lever backwards and forwards between the end stop and the foot brake cylinder piston bracket and check free travel ①.

Guideline

Free travel at foot brake lever	3... 5 mm (0.12... 0.2 in)
---------------------------------	----------------------------

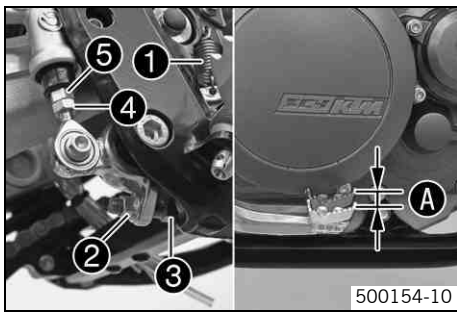
- » If the free travel does not meet specifications:
  - Adjust the basic position of the foot brake lever. ☞ (☞ p. 60)
- Reconnect spring ①.

## Adjusting the basic position of the foot brake lever ☞

**Warning**  
**Danger of accidents** Brake system failure.

- If there is no free travel on the foot brake lever, pressure builds up on the rear brake circuit. The rear brake can fail due to overheating. Adjust free travel on foot brake lever according to specifications.





- Disconnect spring ❶.
- Loosen nut ❷, and with push rod ❸, turn it back until you have maximum free travel.
- To adjust the basic position of the foot brake lever individually, loosen nut ❹ and turn screw ❺ accordingly.

**Info**  
The range of adjustment is limited.

- Turn push rod ❸ accordingly until you have free travel A. If necessary, adjust the basic position of the foot brake lever.

Guideline

Free travel at foot brake lever	3... 5 mm (0.12... 0.2 in)
---------------------------------	----------------------------

- Hold screw ❺ and tighten nut ❹.

Guideline

Remaining nuts, chassis	M8	30 Nm (22.1 lbf ft)
-------------------------	----	------------------------

- Hold push rod ❸ and tighten nut ❷.

Guideline

Remaining nuts, chassis	M6	15 Nm (11.1 lbf ft)
-------------------------	----	------------------------

- Reconnect spring ❶.

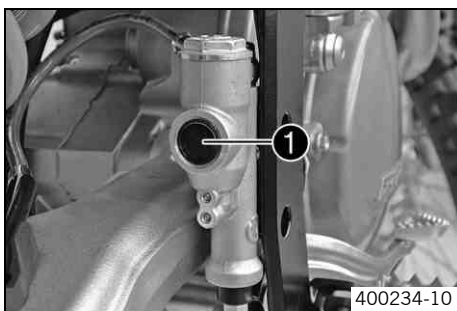
## Checking rear brake fluid level

**Warning**  
**Danger of accidents** Failure of the brake system.

- If the brake fluid level falls below the **MIN** mark, this indicates a leakage in the brake system or worn-out brake linings. Check the brake system and do not continue riding. (Your authorized KTM workshop will be glad to help.)

**Warning**  
**Danger of accidents** Reduced braking effect caused by old brake fluid.

- Change the brake fluid of the front and rear brakes according to the service schedule. (Your authorized KTM workshop will be glad to help.)



- Stand the vehicle upright.
- Check the brake fluid level in the sight glass ❶.
  - » If there is an air bubble in the sight glass ❶ visible:
    - Add brake fluid to the rear brake circuit. (p. 61)

## Adding brake fluid to the rear brake circuit

**Warning**  
**Danger of accidents** Failure of the brake system.

- If the brake fluid level falls below the **MIN** mark, this indicates a leakage in the brake system or worn-out brake linings. Check the brake system and do not continue riding. (Your authorized KTM workshop will be glad to help.)

**Warning**  
**Skin irritation** Brake fluid can cause skin irritation on contact.

- Avoid contact with skin and eyes, and keep out of the reach of children.
- Wear suitable protective clothing and goggles.
- If brake fluid gets into your eyes, rinse thoroughly with water and contact a doctor immediately.

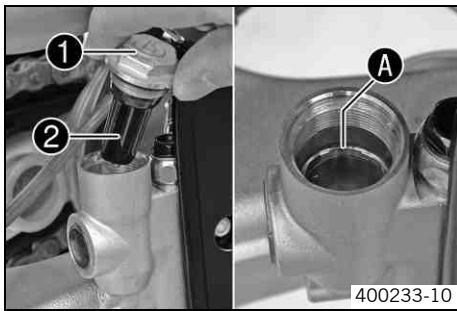
**Warning**  
**Danger of accidents** Reduced braking effect caused by old brake fluid.

- Change the brake fluid of the front and rear brakes according to the service schedule. (Your authorized KTM workshop will be glad to help.)

**Warning**  
**Environmental hazard** Hazardous substances cause environmental damage.

- Oil, grease, filters, fuel, cleaners, brake fluid, etc., should be disposed of as stipulated in applicable regulations.

**i Info**  
 Never use DOT 5 brake fluid! This is based on silicone oil and is colored purple. Oil seals and brake lines are not designed for DOT 5 brake fluid.  
 Avoid contact between brake fluid and painted parts. Brake fluid attacks paint!  
 Use only clean brake fluid from a sealed container!



- Stand the vehicle upright.
- Remove screw cap 1 with membrane 2 and the O-ring.
- Add brake fluid to level A.

Brake fluid DOT 4 / DOT 5.1 (☞ p. 105)
--

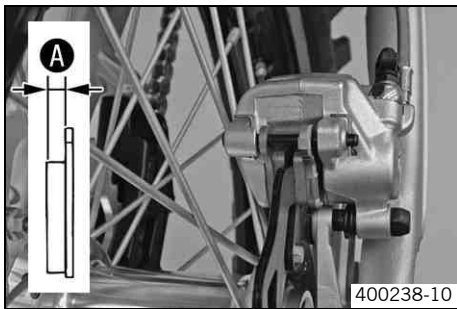
- Mount the screw cap with the membrane and the O-ring.

**i Info**  
 Clean up overflowed or spilt brake fluid immediately with water.

## Checking rear brake linings

**Warning**  
**Danger of accidents** Reduced braking efficiency caused by worn brake linings.

- Change worn brake linings immediately. (Your authorized KTM workshop will be glad to help.)



- Check the brake linings for minimum thickness A.

Minimum thickness A	≥ 1 mm (≥ 0.04 in)
---------------------	--------------------

- » If the minimum thickness is less than specified:
  - Change the rear brake linings. ☞ (☞ p. 62)
- Check the brake linings for damage and cracking.
  - » If damage or cracking is visible:
    - Change the rear brake linings. ☞ (☞ p. 62)

## Changing rear brake linings ☞

**Warning**  
**Danger of accident** Brake system failure.

- Maintenance work and repairs must be carried out professionally. (Your authorized KTM workshop will be glad to help.)

**Warning**  
**Skin irritation** Brake fluid can cause skin irritation on contact.

- Avoid contact with skin and eyes, and keep out of the reach of children.
- Wear suitable protective clothing and goggles.
- If brake fluid gets into your eyes, rinse thoroughly with water and contact a doctor immediately.

**Warning**  
**Danger of accidents** Reduced braking effect caused by old brake fluid.

- Change the brake fluid of the front and rear brakes according to the service schedule. (Your authorized KTM workshop will be glad to help.)





**Warning**

**Danger of accidents** Reduced braking efficiency due to oil or grease on the brake discs.

- Always keep the brake discs free of oil and grease, and clean them with brake cleaner when necessary.



**Warning**

**Danger of accidents** Reduced braking efficiency due to use of non-approved brake linings.

- Brake linings available from accessory suppliers are often not tested and approved for use on KTM vehicles. The construction and friction factor of the brake linings and therefore the brake power can differ considerably from the original KTM brake linings. If brake linings are used that differ from the originals, there is no guarantee that they comply with the original license. The vehicle no longer corresponds to the condition at delivery, and the warranty is no longer valid.



**Warning**

**Environmental hazard** Hazardous substances cause environmental damage.

- Oil, grease, filters, fuel, cleaners, brake fluid, etc., should be disposed of as stipulated in applicable regulations.

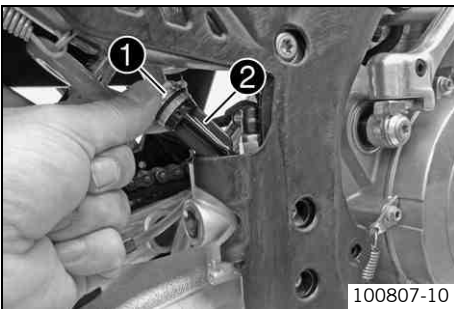


**Info**

Never use DOT 5 brake fluid! This is based on silicone oil and is colored purple. Oil seals and brake lines are not designed for DOT 5 brake fluid.

Avoid contact between brake fluid and painted parts. Brake fluid is corrosive!

Use only clean brake fluid from a sealed container!

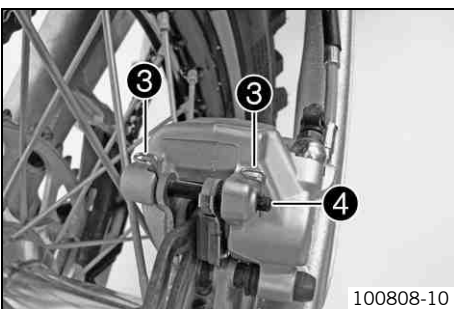


- Stand the vehicle upright.
- Remove screw cap ① with membrane ② and the O-ring.
- Press the brake piston back to its basic position and make sure that no brake fluid overflows from the brake fluid reservoir.

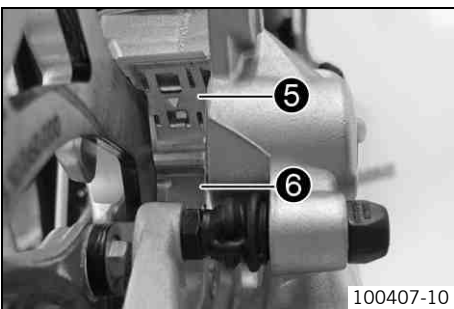


**Info**

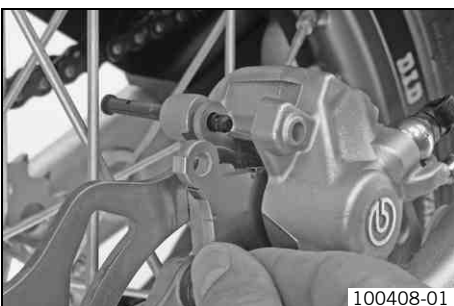
Make sure when pushing back the brake piston that you do not press the brake caliper against the spokes.



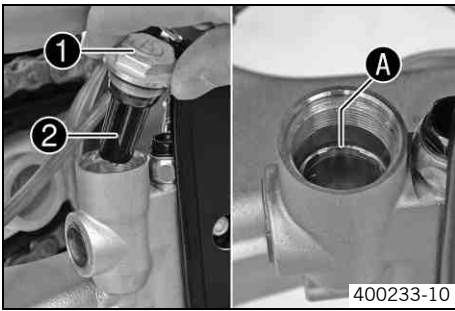
- Remove locking split pins ③, withdraw bolt ④, and take out the brake pads.
- Clean brake caliper and brake caliper support.



- Check that anti-squeal shim ⑤ in the brake caliper and anti-rattle shim ⑥ in the brake caliper support are seated correctly.



- Fit the brake pads, insert the bolt, and mount the locking split pins.
- Operate the foot brake lever repeatedly until the brake linings lie on the brake disc and there is a noticeable pressure point.



- Correct the brake fluid reservoir level to the marking **A**.

Brake fluid DOT 4 / DOT 5.1 (☞ p. 105)

- Mount the screw cap **1** with the membrane **2** and the O-ring.



**Info**

Clean up overflowed or spilt brake fluid immediately with water.

## Removing front wheel ↩

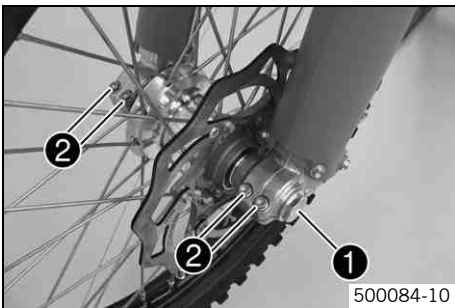


- Jack up the motorcycle. (☞ p. 38)
- Press the brake caliper by hand on to the brake disc in order to press back the brake pistons.



**Info**

Make sure when pushing back the brake pistons that you do not press the brake caliper against the spokes.



- Remove screw **1**.
- Loosen screw **2**.

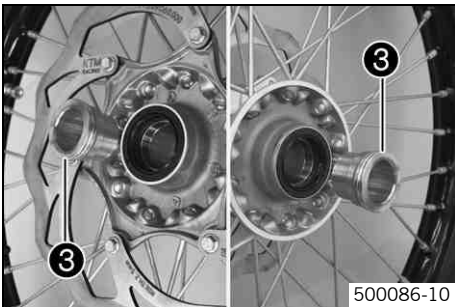


- Holding the front wheel, withdraw the wheel spindle. Take the front wheel out of the fork.



**Info**

Do not operate the hand brake lever when the front wheel is removed. Always lay the wheel down in such a way that the brake disc is not damaged.



- Remove spacers **3**.

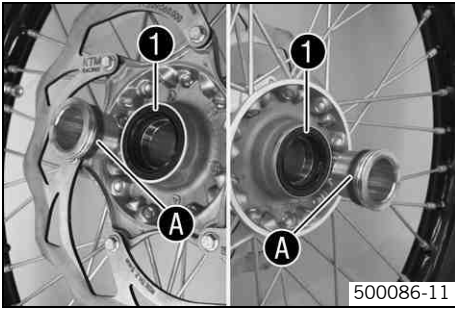
## Installing the front wheel ↩



### Warning

**Danger of accidents** Reduced braking efficiency due to oil or grease on the brake discs.

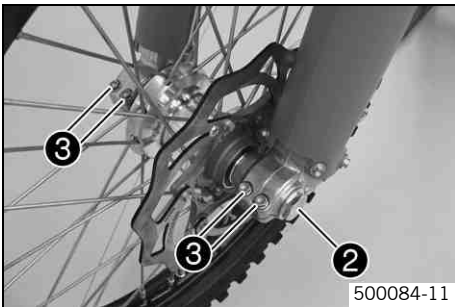
- Always keep the brake discs free of oil and grease, and clean them with brake cleaner when necessary.



- Clean and grease shaft seal rings ① and bearing surface ① of the spacers.

Long-life grease (☛ p. 107)

- Insert the spacers.



- Lift the front wheel into the fork, position it, and insert the wheel spindle.
- Mount and tighten screw ②.

### Guideline

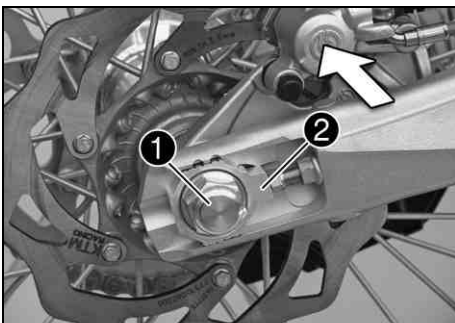
Screw, front wheel spindle	M24x1.5	45 Nm (33.2 lbf ft)
----------------------------	---------	------------------------

- Operate the hand brake lever several times until the brake linings are lying correctly on the brake disc.
- Remove the motorcycle from the work stand. (☛ p. 38)
- Pull the front wheel brake and push down hard on the fork several times to align the fork legs.
- Fully tighten screw ③.

### Guideline

Screw, fork stub	M8	15 Nm (11.1 lbf ft)
------------------	----	------------------------

## Removing the rear wheel ↩



- Jack up the motorcycle. (☛ p. 38)
- Press the brake caliper by hand on to the brake disc in order to press back the brake piston.



### Info

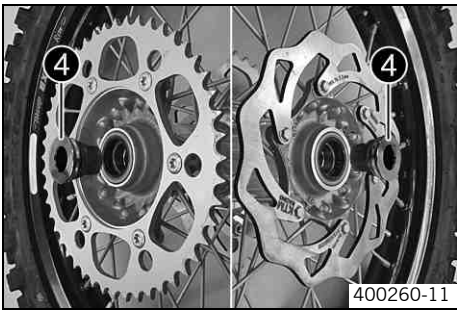
Make sure when pushing back the brake piston that you do not press the brake caliper against the spokes.

- Remove nut ①.
- Remove chain adjuster ②. Withdraw wheel spindle ③ only enough to allow the rear wheel to be pushed forward.
- Push the rear wheel forward as far as possible. Remove the chain from the rear sprocket.
- Holding the rear wheel, withdraw the wheel spindle. Take the rear wheel out of the swingarm.



### Info

Do not operate the foot brake when the rear wheel is removed. Always lay the wheel down in such a way that the brake disc is not damaged.



- Remove spacers 4.

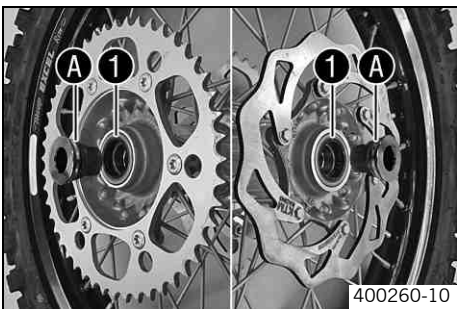
## Installing the rear wheel ↩



### Warning

**Danger of accidents** Reduced braking efficiency due to oil or grease on the brake discs.

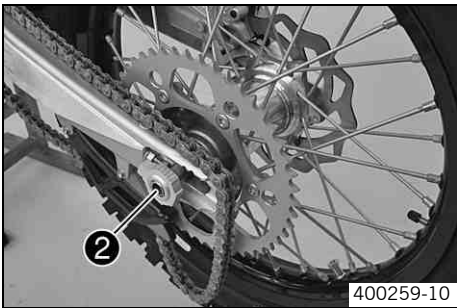
- Always keep the brake discs free of oil and grease, and clean them with brake cleaner when necessary.



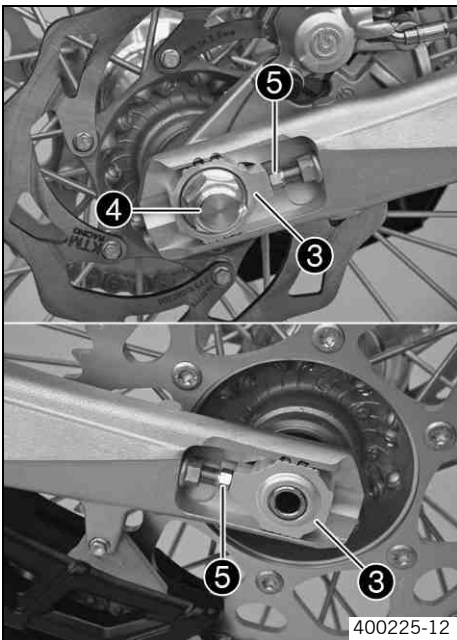
- Clean and grease shaft seal rings 1 and bearing surface A of the spacers.

Long-life grease (↩ p. 107)

- Insert the spacers.



- Lift the rear wheel into the swing arm, position it, and insert the wheel spindle 2.
- Put the chain on.



- Position the chain adjuster 3. Mount nut 4, but do not tighten it yet.
- Check chain tension when fitting rear wheel. (↩ p. 53)
- Make sure that the chain adjusters 3 are fitted correctly on the adjusting screws 5.
- Tighten nut 4.

### Guideline

Nut, rear wheel spindle	M20x1.5	80 Nm (59 lbf ft)
-------------------------	---------	-------------------



### Info

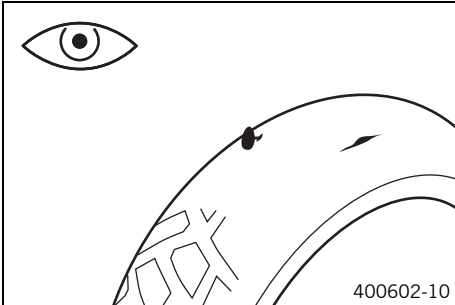
The wide adjustment range of the chain adjusters (32 mm) enables different secondary transmissions with the same chain length.  
The chain adjusters 3 can be turned by 180°.

- Operate the foot brake lever repeatedly until the brake linings lie on the brake disc and there is a pressure point.
- Remove the motorcycle from the work stand. (↩ p. 38)



## Tire condition checking

- i Info**  
 Only mount tires approved or recommended by KTM.  
 Other tires could have a negative effect on riding behavior.  
 The type, condition and air pressure of the tires all have an important impact on the riding behavior of the motorcycle.  
 The front and rear wheels must be mounted with tires with similar profiles.  
 Worn tires have a negative effect on riding behavior, especially on wet surfaces.



- Examine the front and rear tires for cuts, foreign bodies and other damage.
  - » If you find cuts, foreign bodies or other damage on a tire:
    - Change the tires.
- Check the depth of the tread.

- i Info**  
 Note local national regulations concerning the minimum tread depth.

Minimum tread depth	≥ 2 mm (≥ 0.08 in)
---------------------	--------------------

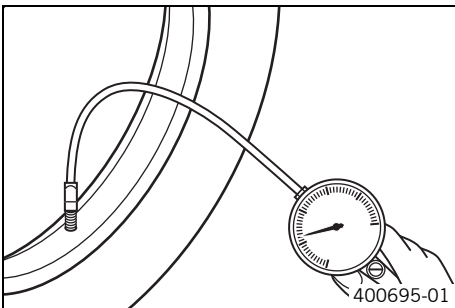
- » If the tread depth is less than the minimum allowable depth:
  - Change the tires.
- Check the age of the tires.

- i Info**  
 The tire's date of manufacture is usually part of the tire markings and is indicated by the last four digits of the **DOT** marking. The first two digits refer to the week of manufacture and last two digits refer to the year of manufacture.  
 KTM recommends that the tires be changed after five years at the latest, regardless of the actual state of wear.

- » If a tire is more than 5 years old:
  - Change the tires.

## Checking tire air pressure

- i Info**  
 Low tire air pressure leads to abnormal wear and overheating of the tire.  
 Correct tire air pressure ensures optimal riding comfort and maximum tire service life.



- Remove the dust cap.
- Check tire air pressure when tires are cold.

Tire air pressure off road	
Front	1.0 bar (15 psi)
Rear	1.0 bar (15 psi)

Road tire pressure	
Front	1.5 bar (22 psi)
Rear	2.0 bar (29 psi)

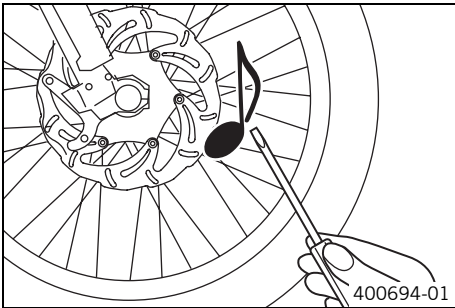
- » If the tire pressure does not meet specifications:
  - Correct the tire air pressure.
- Fit the dust cap.

## Checking spoke tension

**Warning**  
**Danger of accidents** Instable handling due to incorrect spoke tension.

- Ensure that the spoke tension is correct. (Your authorized KTM workshop will be glad to help.)

**i Info**  
 A loose spoke can cause wheel imbalance, which leads to more loose spokes in a short time.  
 If the spokes are too tight, they can break due to local overload.  
 Check the spoke tension regularly, especially on a new motorcycle.



- Tap each spoke with a screwdriver.

**i Info**  
 The sound frequency depends on the length and thickness of the spoke.  
 If there are different sound frequencies in spokes with the same length and thickness, this indicates different spoke tensions.

You should hear a high note.

- » If the spoke tension varies:
  - Correct the spoke tension. ↩
- Check the spoke torque.

### Guideline

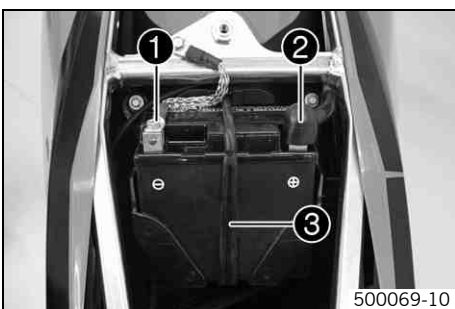
Spoke nipple, front wheel	M4.5	5... 6 Nm (3.7... 4.4 lbf ft)
Spoke nipple, rear wheel	M5	5... 6 Nm (3.7... 4.4 lbf ft)

Torque wrench with various accessories in set (58429094000)

## Removing the battery ↩

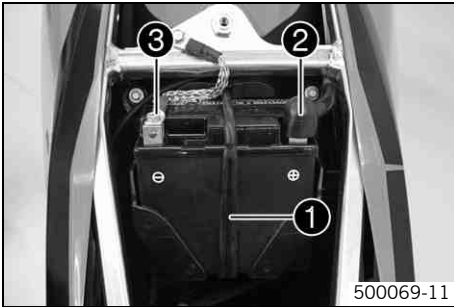
**Warning**  
**Risk of injury** Battery acid and battery gases cause serious cauterization.

- Keep batteries out of the reach of children.
- Wear suitable protective clothing and goggles.
- Avoid contact with battery acid and battery gases.
- Keep the battery away from sparks or open fire. Charge only in well ventilated rooms.
- In the event of skin contact, rinse with large amounts of water. If battery acid gets in the eyes, rinse with water for at least 15 minutes and contact a doctor.



- Switch off all power-consuming components and switch off the engine.
- Remove the seat. (↩ p. 71)
- Disconnect the negative (minus) cable ❶ of the battery.
- Pull back the plus pole cover ❷ and disconnect the positive (plus) cable of the battery.
- Hang the rubber band ❸ out to the bottom.
- Lift the battery up.

## Installing the battery ↩



- Place the battery in the battery holder.

Battery (YTX5L-BS) (☛ p. 96)

- Reconnect the rubber band ❶.
- Attach the plus cable and replace the plus pole cover ❷.
- Attach the minus cable ❸.
- Mount the seat. (☛ p. 71)

## Recharging the battery ↩



### Warning

**Risk of injury** Battery acid and battery gases cause serious cauterization.

- Keep batteries out of the reach of children.
- Wear suitable protective clothing and goggles.
- Avoid contact with battery acid and battery gases.
- Keep the battery away from sparks or open fire. Charge only in well ventilated rooms.
- In the event of skin contact, rinse with large amounts of water. If battery acid gets in the eyes, rinse with water for at least 15 minutes and contact a doctor.



### Warning

**Environmental hazard** Battery parts and acid are harmful to the environment.

- Do not discard batteries with the household trash. Dispose of a defective battery in an environmentally compatible manner. Give the battery to your KTM dealer or to a recycling center that accepts used batteries.



### Warning

**Environmental hazard** Hazardous substances cause environmental damage.

- Oil, grease, filters, fuel, cleaners, brake fluid, etc., should be disposed of as stipulated in applicable regulations.



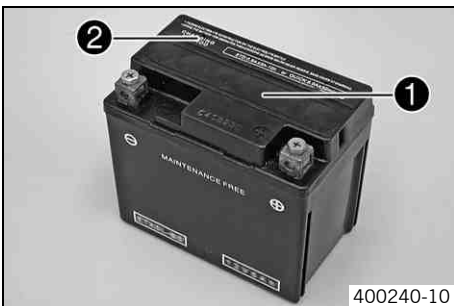
### Info

Even if there is no load on the battery, it loses power every day. The charge state and the type of charge are very important for the service life of the battery. Fast recharging with a high charge current shortens the battery's service life. If the charge current, the charge voltage and the charge time are exceeded, electrolyte escapes through the breathing holes. The battery capacity is then reduced. If the battery is discharged from starting, it must be recharged immediately. If it stands for a long time in a discharged state, the battery becomes over-discharged and sulfated, and then it is destroyed. The battery is maintenance-free, i.e., the acid level does not have to be checked.

- Switch off all consumers and the engine.
- Remove the seat. (☛ p. 71)
- Disconnect the minus (negative) cable of the battery to avoid damage to the motorcycle's electronics.
- Connect the battery charger to the battery. Switch on the battery charger.

Battery charger (58429074000)

You can also use the battery charger to test the open-circuit voltage and cranking power of the battery, and to test the generator. With this device, you cannot over-charge the battery.



### Info

Never remove the lid ❶. Charge the battery with at most 10% of the capacity specified on the battery ❷.

- Switch off the charger after charging. Disconnect the battery.

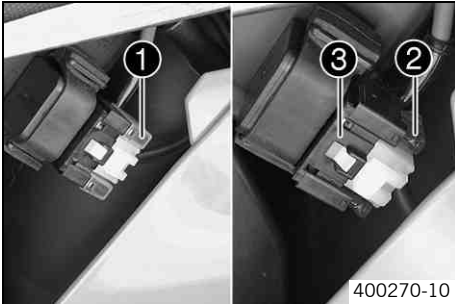


Guideline

The charge current, charge voltage and charge time must not be exceeded.	
Charge the battery regularly when the motorcycle is not in use	3 months

- Mount the seat. (☛ p. 71)

## Removing a fuse



- Switch off all consumers and the engine.
- Remove the air filter box lid. (☛ p. 76)
- Remove protective cover ❶.

**i Info**

The fuse ❷ is located in the starter relay ❸ under the filter box cover.

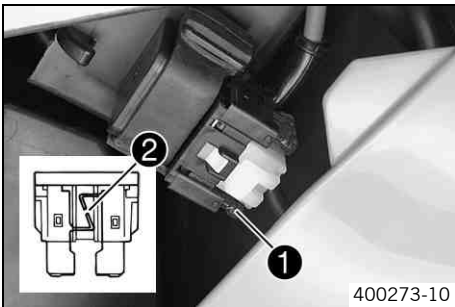
- Remove the fuse ❷.

## Installing the fuse

**Warning**  
**Fire hazard**

The electrical system can be overloaded by the use of incorrect fuses.

- Use only fuses with the prescribed amperage. Never by-pass or repair fuses.



- Insert the fuse.

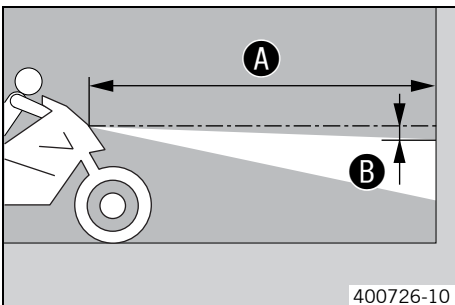
Fuse (58011109110)
--------------------

**i Info**

A reserve fuse ❶ is located in the starter relay.  
Replace a blown fuse ❷ only by an equivalent fuse.

- Replace the protection cover.
- Install the air filter box lid. (☛ p. 76)

## Checking the headlight adjustment



- On a light-colored wall behind a horizontal area, make a mark as high as the center of the headlight.
- Make a second mark at distance of ❷ under the first mark.

Guideline

Distance ❷	5 cm (2 in)
------------	-------------

- Stand the motorcycle upright in front of the wall at distance ❶. The driver, in full protective clothing, should now sit on the motorcycle in a normal sitting position (feet on the footrests).

Guideline

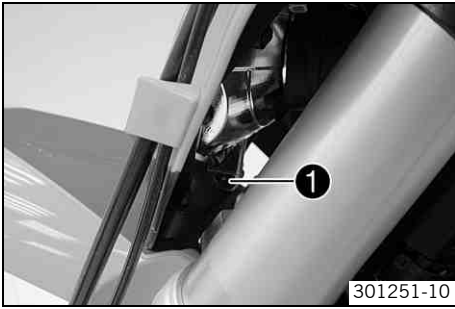
Distance ❶	5 m (16 ft)
------------	-------------

- Switch on low beam. Check the headlight adjustment.

The border between light and dark must be exactly at the lower mark when the motorcycle is operational and complete with rider.

- » If the boundary between light and dark does not meet specifications:
  - Adjust the beam width of the headlight. (☛ p. 71)

## Adjusting the beam width of the headlight



- Check the headlight adjustment. (☛ p. 70)
- Loosen screw ❶.
- Adjust the light range by swiveling the headlight.

### Guideline

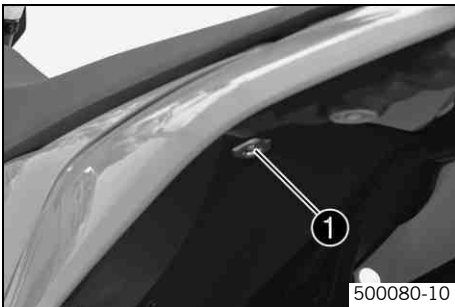
The boundary between light and dark must be exactly on the lower mark for a motorcycle with a rider (mark is applied under: Checking the headlight adjustment).

### **i** Info

If you have a payload, you may have to correct the headlight beam width.

- Tighten screw ❶.

## Removing the seat



- Remove screw ❶. Lift up the seat at the rear, pull it back and then remove from above.

## Mounting the seat



- Hook in the front of the seat at the collar sleeve of the fuel tank, lower it at the rear and simultaneously push it forward.
- Make sure that the seat is correctly locked in.
- Mount and tighten the screw of the seat fixing.

### Guideline

Remaining screws, chassis	M6	10 Nm (7.4 lbf ft)
---------------------------	----	--------------------

## Removing the fuel tank ☛



### Danger

**Fire hazard** Fuel is highly flammable.

- Never refuel the vehicle near open flames or burning cigarettes, and always switch off the engine first. Be careful that no fuel is spilt, especially on hot vehicle components. Clean up spilt fuel immediately.
- Fuel in the fuel tank expands when warm and can escape if the tank is overfilled. See the notes on refueling.

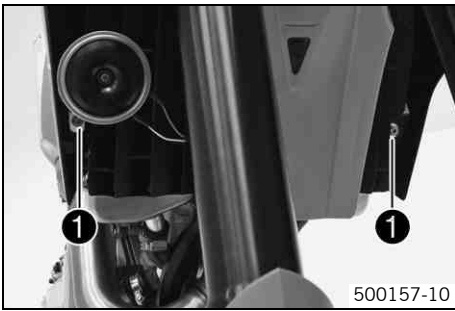


### Warning

**Danger of poisoning** Fuel is poisonous and a health hazard.

- Avoid contact between fuel and skin, eyes and clothing. Do not inhale fuel vapors. If fuel gets into your eyes, rinse immediately with water and contact a doctor. Wash affected skin areas immediately with soap and water. If fuel is swallowed, contact a doctor immediately. Change clothing that has come into contact with fuel. Store fuel in a suitable canister according to regulations and keep it out of the reach of children.

- Remove the seat. (☛ p. 71)



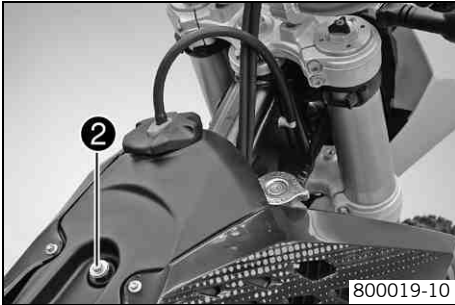
- Turn handle ❶ of the fuel tap to the **OFF** position. (Figure 500137-10 p. 22)
- Pull off the fuel hose.



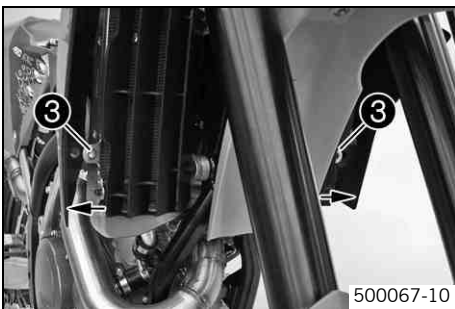
**Info**

Remaining fuel may flow out of the fuel hose.

- Remove screws ❶ with the collar sleeve.
- Hang the horn and horn bracket to one side.



- Remove screw ❷ with the collar sleeve.
- Remove the tube from the fuel tank vent line.



- Pull both spoilers to the side of the radiator bracket ❸ and take the fuel tank away upward.

## Installing the fuel tank ↩



**Danger**

**Fire hazard** Fuel is highly flammable.

- Never refuel the vehicle near open flames or burning cigarettes, and always switch off the engine first. Be careful that no fuel is spilt, especially on hot vehicle components. Clean up spilt fuel immediately.
- Fuel in the fuel tank expands when warm and can escape if the tank is overfilled. See the notes on refueling.



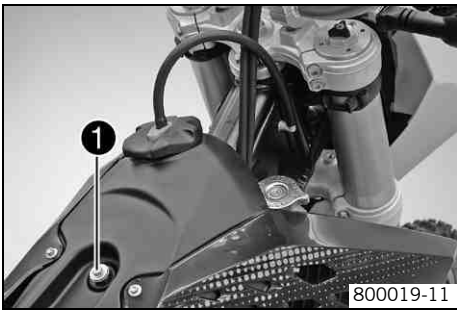
**Warning**

**Danger of poisoning** Fuel is poisonous and a health hazard.

- Avoid contact of the fuel with skin, eyes and clothing. Do not inhale fuel vapors. If fuel gets into your eyes, rinse immediately with water and contact a doctor. Wash affected skin areas immediately with soap and water. If fuel is swallowed, contact a doctor immediately. Change clothing that has come into contact with fuel.



- Position the fuel tank and fit the two spoilers to the sides of the radiator bracket.
- Make sure that no cables are trapped or damaged.

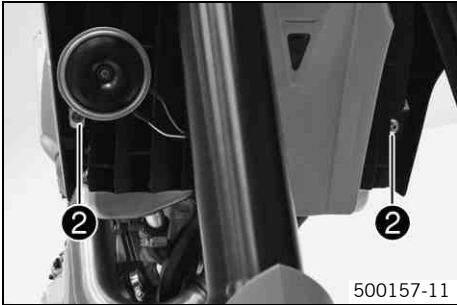


- Mount the fuel tank vent hose.
- Mount and tighten screw ① with the collar sleeve.

Guideline

Remaining screws, chassis	M6	10 Nm (7.4 lbf ft)
---------------------------	----	--------------------

- Position the horn with the horn bracket.



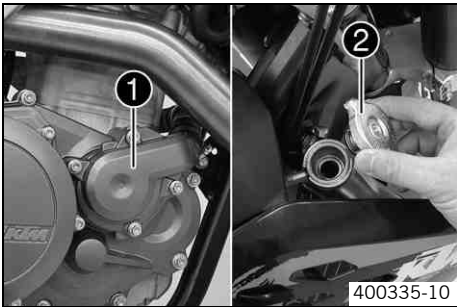
- Mount and tighten screws ② with the collar sleeve.

Guideline

Remaining screws, chassis	M6	10 Nm (7.4 lbf ft)
---------------------------	----	--------------------

- Connect the fuel hose.
- Mount the seat. (☛ p. 71)

## Cooling system



The water pump ① in the engine forces the coolant to flow. The pressure resulting from the warming of the cooling system is regulated by a valve in the radiator cap ②. This ensures that operating the vehicle at the specified coolant temperature will not result in a risk of malfunctions.

120 °C (248 °F)
-----------------

Cooling is effected by the air stream. The lower the speed, the less the cooling effect. Dirty cooling fins also reduce the cooling effect.

## Checking the anti-freeze and coolant level



**Warning**

**Danger of scalding** During motorcycle operation, the coolant gets very hot and is under pressure.

- Do not remove the radiator cap, radiator hoses or other cooling system components when the engine is hot. Allow the engine and cooling system to cool down. In case of scalding, rinse immediately with lukewarm water.



**Warning**

**Danger of poisoning** Coolant is poisonous and a health hazard.

- Avoid contact between coolant and skin, eyes and clothing. If it gets into your eyes, rinse immediately with water and contact a doctor. Wash affected skin areas immediately with soap and water. If coolant is swallowed, contact a doctor immediately. Change clothes that have come into contact with coolants. Keep coolant out of the reach of children.

**Condition**

Engine is cold.

- Stand the motorcycle upright on a horizontal surface.
- Remove radiator cap.
- Check the anti-freeze of the coolant.

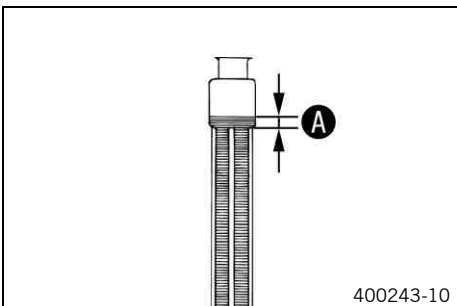
-25... -45 °C (-13... -49 °F)
-------------------------------

- » If the anti-freeze of the coolant does not meet specifications:
  - Correct the anti-freeze of the coolant.

- Check the coolant level in the radiator.

Coolant level ① above radiator fins.	10 mm (0.39 in)
--------------------------------------	-----------------

- » If the level of the coolant does not meet specifications:



- Correct the coolant level.

**Alternative 1**

Coolant (☞ p. 105)

**Alternative 2**

Coolant (mixed ready to use) (☞ p. 105)

- Refit the radiator cap.

## Checking the coolant level



**Warning**

**Danger of scalding** During motorcycle operation, the coolant gets very hot and is under pressure.

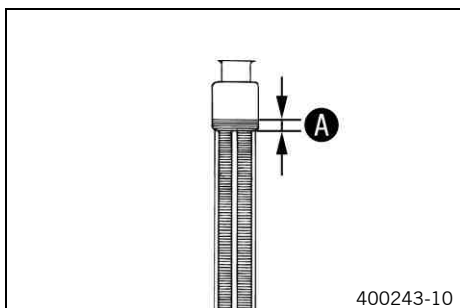
- Do not remove the radiator cap, radiator hoses or other cooling system components when the engine is hot. Allow the engine and cooling system to cool down. In case of scalding, rinse immediately with lukewarm water.



**Warning**

**Danger of poisoning** Coolant is poisonous and a health hazard.

- Avoid contact between coolant and skin, eyes and clothing. If it gets into your eyes, rinse immediately with water and contact a doctor. Wash affected skin areas immediately with soap and water. If coolant is swallowed, contact a doctor immediately. Change clothes that have come into contact with coolants. Keep coolant out of the reach of children.



**Condition**

The engine is cold.

- Stand the motorcycle upright on a horizontal surface.
- Remove radiator cap.
- Check the coolant level in the radiator.

Coolant level <b>A</b> above the radiator fins.	10 mm (0.39 in)
---	-----------------

» If the coolant level does not meet specifications:

- Correct the coolant level.

**Alternative 1**

Coolant (☞ p. 105)

**Alternative 2**

Coolant (mixed ready to use) (☞ p. 105)

- Mount the radiator cap.

## Draining coolant ☞



**Warning**

**Danger of scalding** During motorcycle operation, the coolant gets very hot and is under pressure.

- Do not remove the radiator cap, radiator hoses or other cooling system components when the engine is hot. Allow the engine and cooling system to cool down. In case of scalding, rinse immediately with lukewarm water.



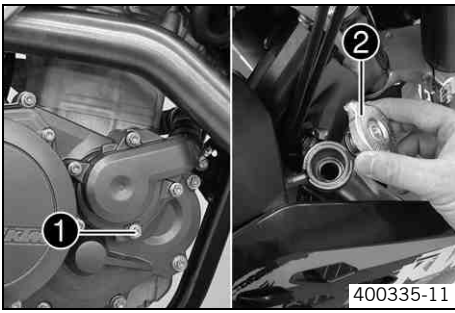
**Warning**

**Danger of poisoning** Coolant is poisonous and a health hazard.

- Avoid contact between coolant and skin, eyes and clothing. If it gets into your eyes, rinse immediately with water and contact a doctor. Wash affected skin areas immediately with soap and water. If coolant is swallowed, contact a doctor immediately. Change clothes that have come into contact with coolants. Keep coolant out of the reach of children.

**Condition**

Engine is cold.



- Stand the motorcycle upright.
- Place a suitable container under the water pump cover.
- Remove screw ❶. Remove the radiator cap ❷.
- Completely drain the coolant.
- Fit screw ❶ with a new seal and tighten it.

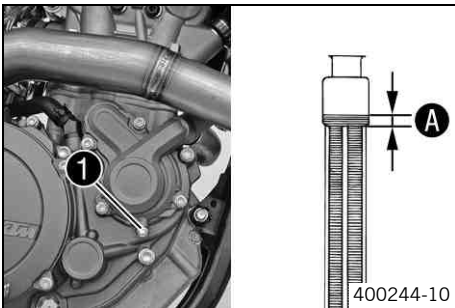
Guideline

Screw, water pump cover	M6x25	10 Nm (7.4 lbf ft)
-------------------------	-------	--------------------

## Refilling coolant ↩

**Warning**  
**Danger of poisoning** Coolant is poisonous and a health hazard.

- Avoid contact between coolant and skin, eyes and clothing. If it gets into your eyes, rinse immediately with water and contact a doctor. Wash affected skin areas immediately with soap and water. If coolant is swallowed, contact a doctor immediately. Change clothes that have come into contact with coolants. Keep coolant out of the reach of children.



- Make sure that the screw ❶ is tightened.
- Stand the vehicle upright.
- Pour coolant in up to measurement A above the radiator fins.

Guideline

10 mm (0.39 in)		
Coolant	0.95 l (1 qt.)	Coolant (☞ p. 105)
		Coolant (mixed ready to use) (☞ p. 105)

- Refit the radiator cap.
- Make a short test ride.
- Check the coolant level. (☞ p. 74)

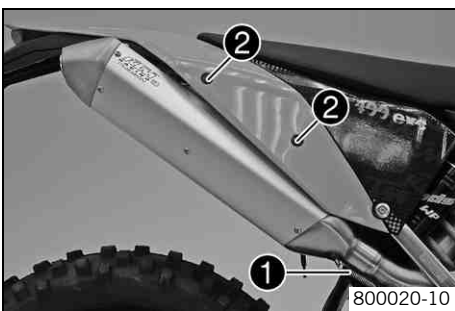
## Glass fiber yarn filling of main silencer

The main silencer is filled with glass fiber yarn.  
 Over a period, the fibers of the insulating material vanish into the air, and the silencer "burns out".  
 Not only is the noise level higher, the performance characteristic changes.

## Removing main silencer

**Warning**  
**Danger of burns** The exhaust system gets very hot when the vehicle is driven.

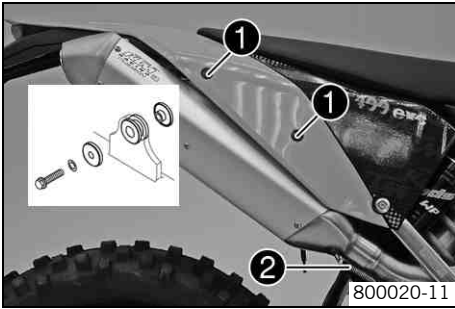
- Allow the exhaust system to cool down. Do not touch hot components.



- Disconnect spring ❶.
- Remove screws ❷ and take off main silencer.



## Installing the main silencer



- Mount the main silencer. Mount and tighten screws ❶.

Guideline

Remaining screws, chassis	M6	10 Nm (7.4 lbf ft)
---------------------------	----	--------------------

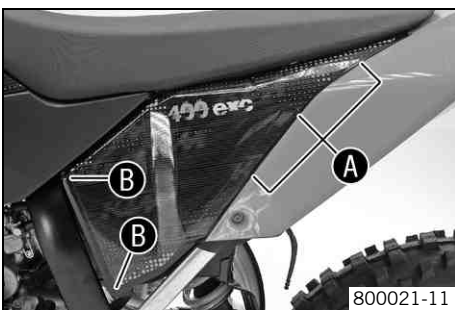
- Reconnect spring ❷.

## Removing the air filter box lid



- Pull off the air filter box lid in area A to the side and remove to the front.

## Installing the air filter box lid



- Insert the air filter box lid into the rear area A and clip it into the front area B.

## Removing the air filter

### Note

**Engine failure** Unfiltered intake air has a negative effect on the service life of the engine.

- Never ride the vehicle without an air filter since dust and dirt can get into the engine and result in increased wear.



### Warning

**Environmental hazard** Hazardous substances cause environmental damage.

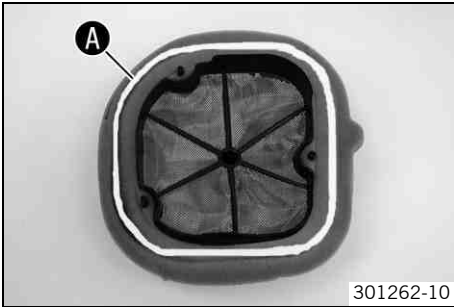
- Oil, grease, filters, fuel, cleaners, brake fluid, etc., should be disposed of as stipulated in applicable regulations.



- Remove the air filter box lid. (☞ p. 76)
- Detach air filter holder ❶ at the bottom and swing it to one side. Remove the air filter with the air filter support.
- Remove the air filter from the air filter support.



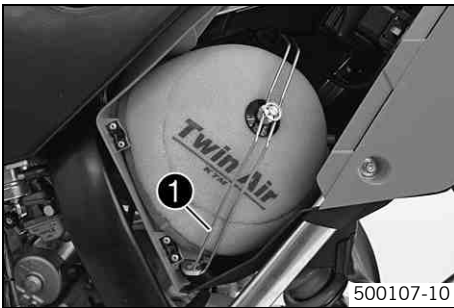
## Installing the air filter 🛠️



301262-10

- Mount the clean air filter onto the air filter support.
- Apply grease to the section **A** of the air filter.

Long-life grease (🔧 p. 107)



500107-10

- Put in both parts together, position them and fix them with air filter holder **1**.

**i** **Info**

If the air filter is not correctly mounted, dust and dirt can penetrate into the engine and can cause damage.

- Install the air filter box lid. (🔧 p. 76)

## Cleaning air filter 🛠️

**Warning**

**Environmental hazard** Hazardous substances cause environmental damage.

- Oil, grease, filters, fuel, cleaners, brake fluid, etc., should be disposed of as stipulated in applicable regulations.

**i** **Info**

Do not clean the air filter with fuel or gasoline since these substances attack the foam.

- Remove the air filter. 🛠️ (🔧 p. 76)
- Wash the air filter thoroughly in special cleaning liquid and allow it to dry properly.

Air filter cleaner (🔧 p. 107)

**i** **Info**

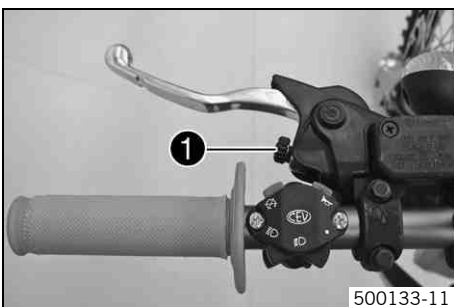
Only squeeze the air filter when drying it out, never wring it out.

- Oil the dry air filter with a high/quality filter oil.

Oil for foam air filter (🔧 p. 107)

- Clean the air filter box.
- Check carburetor connection boot for damage and tightness.
- Install the air filter. 🛠️ (🔧 p. 77)

## Adjusting basic position of clutch lever



500133-11

- Adjust the basic setting of the clutch lever to your hand size by turning adjusting screw **1**.

**i** **Info**

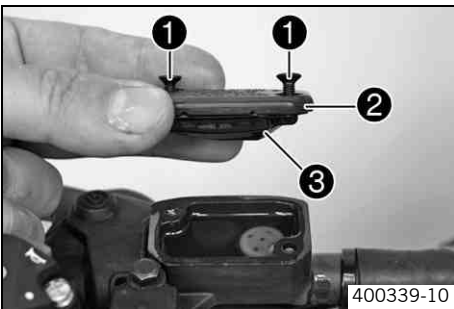
Turn the adjusting screw clockwise to increase the distance between the clutch lever and the handlebar.  
Turn the adjusting screw counterclockwise to decrease the distance between the clutch lever and the handlebar.  
The range of adjustment is limited.  
Turn the adjusting screw by hand only, and do not apply any force.  
Do not make any adjustments while riding!

## Checking the fluid level of hydraulic clutch

**Warning**  
**Skin irritation** Brake fluid can cause skin irritation on contact.

- Avoid contact with skin and eyes, and keep out of the reach of children.
- Wear suitable protective clothing and goggles.
- If brake fluid gets into your eyes, rinse thoroughly with water and contact a doctor immediately.

**i Info**  
 The fluid level rises with increasing wear of the clutch lining disc.  
 Avoid contact between brake fluid and painted parts. Brake fluid is corrosive!  
 Use only clean brake fluid from a sealed container!



- Move the clutch fluid reservoir mounted on the handlebar to a horizontal position.
- Remove screws ①.
- Remove cover ② with membrane ③.
- Check the fluid level.

Fluid level under top level of container	4 mm (0.16 in)
--	----------------

» If the level of the fluid does not meet specifications:

- Correct the fluid level of the hydraulic clutch.

Brake fluid DOT 4 / DOT 5.1 (☛ p. 105)
--

- Position the cover with the membrane. Mount and tighten the screws.

**i Info**  
 Clean up overflowed or spilt fluid immediately with water.

## Changing the hydraulic clutch fluid ☞

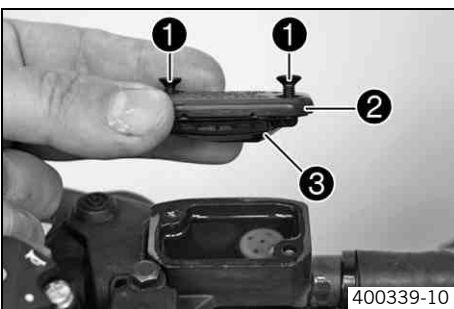
**Warning**  
**Skin irritation** Brake fluid can cause skin irritation on contact.

- Avoid contact with skin and eyes, and keep out of the reach of children.
- Wear suitable protective clothing and goggles.
- If brake fluid gets into your eyes, rinse thoroughly with water and contact a doctor immediately.

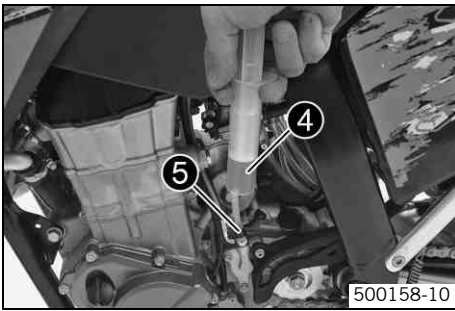
**Warning**  
**Environmental hazard** Hazardous substances cause environmental damage.

- Oil, grease, filters, fuel, cleaners, brake fluid, etc., should be disposed of as stipulated in applicable regulations.

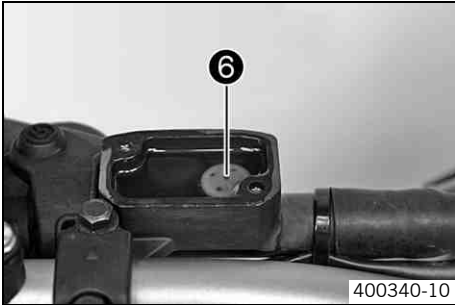
**i Info**  
 The fluid level rises with increasing wear of the clutch lining disc.  
 Avoid contact between brake fluid and painted parts. Brake fluid is corrosive!  
 Use only clean brake fluid from a sealed container!



- Move the clutch fluid reservoir mounted on the handlebar to a horizontal position.
- Remove screws ①.
- Remove cover ② with membrane ③.



500158-10



400340-10

- Fill bleeding syringe ④ with the appropriate hydraulic fluid.

Bleed syringe (50329050000)
-----------------------------

Brake fluid DOT 4 / DOT 5.1 (☞ p. 105)
--

- On the slave cylinder, remove bleeder screw ⑤ and mount bleeding syringe ④.

- Inject the liquid into the system until it escapes from bore hole ⑥ of the master cylinder without bubbles.
- To prevent overflow, drain fluid occasionally from the master cylinder reservoir.
- Remove the bleeding syringe. Mount and tighten screws bleeder screw.
- Correct the fluid level of the hydraulic clutch.

**Guideline**

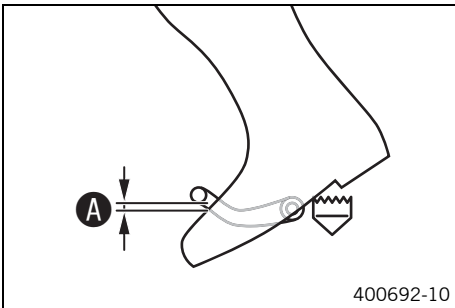
Fluid level under top level of container	4 mm (0.16 in)
--	----------------

- Position the cover with the membrane. Mount and tighten the screws.

**i Info**

Clean up overflowed or spilt fluid immediately with water.

### Checking the basic position of the shift lever



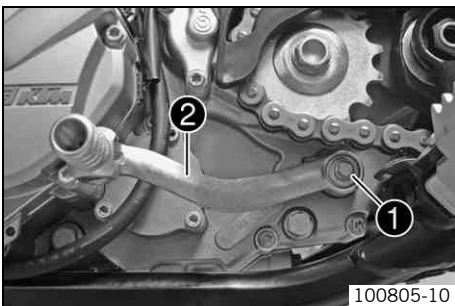
400692-10

- Sit on the vehicle (facing the direction of travel) and measure the gap between the top of the boot and shift lever ④.

Gap between the shift lever and the top of the boot	10... 20 mm (0.39... 0.79 in)
---	-------------------------------

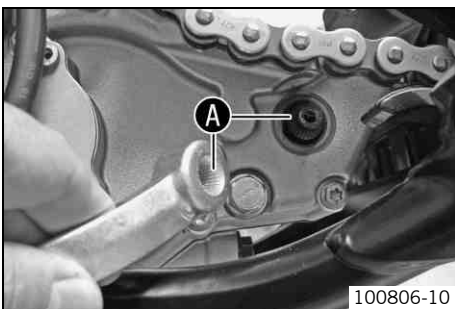
- » If the distance does not meet the specifications:
  - Adjust the basic position of the shift lever. ☞ (☞ p. 79)

### Adjusting the basic position of the shift lever ☞



100805-10

- Remove screw ① and take off shift lever ②.



100806-10

- Clean gear teeth ④ of the shift lever and shift shaft.
- Mount the shift lever on the shift shaft in the required position and engage the gearing.

**i Info**

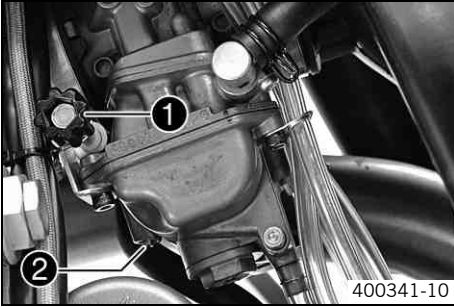
The range of adjustment is limited. The shift lever must not come into contact with any other vehicle components during the shift procedure.

- Mount and tighten screw.

**Guideline**

Screw, shift lever	M6	14 Nm (10.3 lbf ft)	Loctite® 243™
--------------------	----	---------------------	---------------

## Carburetor - idle



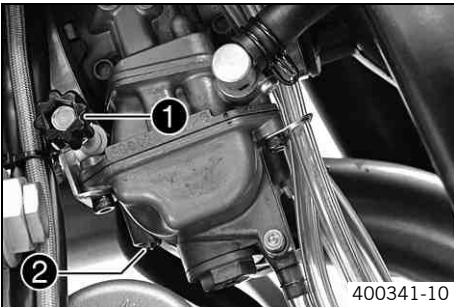
The idle setting of the carburetor has a big influence on the starting behavior, stable idling and the response to throttle opening. That means that an engine with a correctly set idle speed is easier to start than if the idle is set wrongly.

### **i** Info

The carburetor and its components are subject to increased wear caused by engine vibration. Wear can result in malfunctioning.

The idle speed is adjusted with the adjustment screw ❶.  
The idle mixture is adjusted with the idle mixture adjustment screw ❷.

## Carburetor - adjusting idle ↩



- Screw in the idle adjusting screw ❷ until it stops and then to the prescribed basic setting.

### Guideline

Idle mixture adjusting screw (450 EXC USA)	
Open	1.75 turns
Idle mixture adjusting screw (530 EXC USA)	
Open	2.0 turns

Adjustment tool for mixture control screw (77329034000)

- Run the engine until warm.

### Guideline

Warm-up time	≥ 5 min
--------------	---------



### Danger

**Danger of poisoning** Exhaust gases are poisonous and inhaling them may result in unconsciousness and/or death.

- When running the engine, always make sure there is sufficient ventilation, and do not start or run the engine in an enclosed space without an effective exhaust extraction system.

- Adjust the idle speed with adjusting screw ❶.

### Guideline

Choke function deactivated – The choke lever is pushed in to the stop. (☛ p. 23)	
Idle speed	1,550... 1,650 rpm

- Turn the idle adjusting screw ❷ slowly until the idle speed begins to fall.
- Note the position and turn the idle adjusting screw slowly counterclockwise until the idle speed falls.
- Adjust to the point between these two positions with the highest idle speed.

### **i** Info

If there is a big engine speed rise, reduce the idle speed to a normal level and repeat the above steps.

The extreme sport motorcyclist will set the mixture about ¼ of a turn back from this ideal value (leaner, in a clockwise direction) since the engine becomes hotter in sporting use.

If the procedure described here does not lead to satisfactory results, the cause may be a wrongly dimensioned idling jet.

If you can turn the idle adjusting screw to the end without any change of engine speed, you have to mount a smaller idling jet.

The idle adjusting screw must not be opened more than two turns. If more than two turns are necessary (rich mixture), use a larger idling jet.

After changing the idling jet, start from the beginning with the adjusting steps.

- Adjust the idle speed with adjusting screw ❶.

Guideline

Choke function deactivated – The choke lever is pushed in to the stop. (☛ p. 23)	
Idle speed	1,550... 1,650 rpm

**i Info**  
Following extreme air temperature or altitude changes, adjust the idle speed again.

## Emptying the carburetor float chamber ☛

**⚠ Danger**  
**Fire hazard** Fuel is highly flammable.

- Never refuel the vehicle near open flames or burning cigarettes, and always switch off the engine first. Be careful that no fuel is spilt, especially on hot vehicle components. Clean up spilt fuel immediately.
- Fuel in the fuel tank expands when warm and can escape if the tank is overfilled. See the notes on refueling.

**⚠ Warning**  
**Danger of poisoning** Fuel is poisonous and a health hazard.

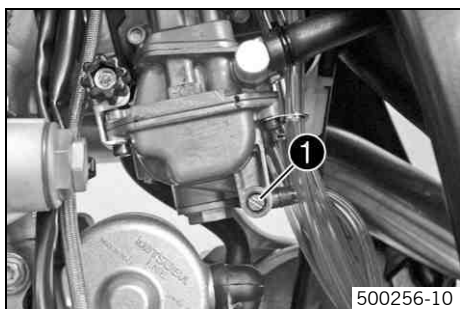
- Avoid contact between fuel and skin, eyes and clothing. Do not inhale fuel vapors. If fuel gets into your eyes, rinse immediately with water and contact a doctor. Wash affected skin areas immediately with soap and water. If fuel is swallowed, contact a doctor immediately. Change clothing that has come into contact with fuel. Store fuel in a suitable canister according to regulations and keep it out of the reach of children.

**🌿 Warning**  
**Environmental hazard** Improper handling of fuel is a danger to the environment.

- Do not allow fuel to get into the ground water, the ground, or the sewage system.

**i Info**  
Carry out this work with a cold engine.

- Turn handle ❶ of the fuel tap to the **OFF** position. (Figure 500137-10☛ p. 22)  
✓ No more fuel flows from the tank to the carburetor.
- Direct the hose of the float chamber into a suitable container.



**i Info**  
Water in the float chamber results in malfunctioning.

- Undo the screw ❶ (turn it counterclockwise) a few turns and drain the fuel from the float chamber.
- Tighten screw ❶.

## Checking engine oil level

**i Info**  
The engine oil level must be checked when the engine is cold.

- Stand the motorcycle upright on a horizontal surface.

**Condition**

Engine is cold.

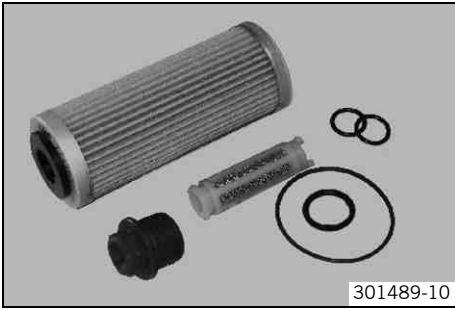
- Check the engine oil level.

The engine oil must be between the halfway mark and the top of the oil level viewer ❶.

- » If the engine oil level is below the specified level:
  - Top up the engine oil. (☛ p. 84)



## Changing engine oil and oil filter, cleaning engine oil screen ↩



- Drain the engine oil and clean the engine oil screen. ↩ (☞ p. 82)
- Remove the oil filter. ↩ (☞ p. 82)
- Install the oil filter. ↩ (☞ p. 83)
- Fill up with engine oil. ↩ (☞ p. 83)

## Draining engine oil, cleaning engine oil screen ↩



### Warning

**Danger of scalding** Engine oil and gear oil get very hot when the motorcycle is ridden.

- Wear appropriate protective clothing and safety gloves. In case of burns, rinse immediately with lukewarm water.



### Warning

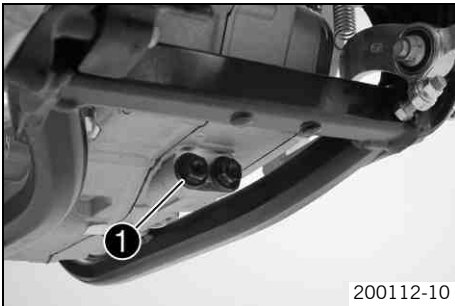
**Environmental hazard** Hazardous substances cause environmental damage.

- Oil, grease, filters, fuel, cleaners, brake fluid, etc., should be disposed of as stipulated in applicable regulations.



### Info

Drain the engine oil only when the engine is warm.



- Stand the motorcycle on its side stand on a horizontal surface.
- Place a suitable container under the engine.
- Remove engine oil plug screen ❶.
- Completely drain the engine oil.
- Thoroughly clean the plug and engine oil screen.
- Clean the sealing surface on the engine.
- Mount and tighten the engine oil screen drain plug ❶.

Guideline

Plug, engine oil screen	M17x1.5	20 Nm (14.8 lbf ft)
-------------------------	---------	------------------------

## Removing the oil filter ↩



### Warning

**Danger of scalding** Engine oil and gear oil get very hot when the motorcycle is ridden.

- Wear appropriate protective clothing and safety gloves. In case of burns, rinse immediately with lukewarm water.

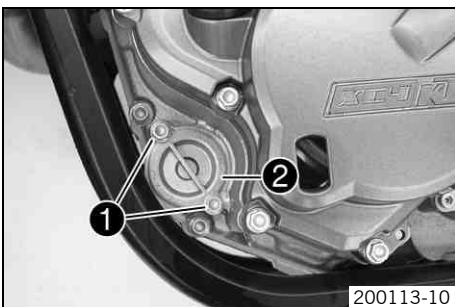


### Warning

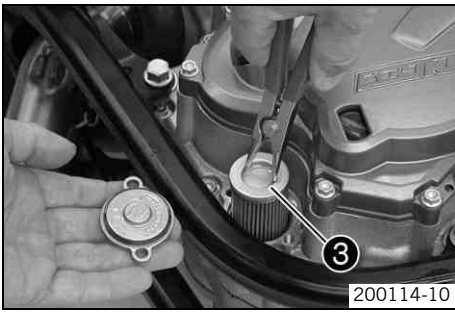
**Environmental hazard** Hazardous substances cause environmental damage.

- Oil, grease, filters, fuel, cleaners, brake fluid, etc., should be disposed of as stipulated in applicable regulations.

- Place a suitable container under the engine.
- Remove screws ❶. Remove oil filter cover ❷ with the O-ring.





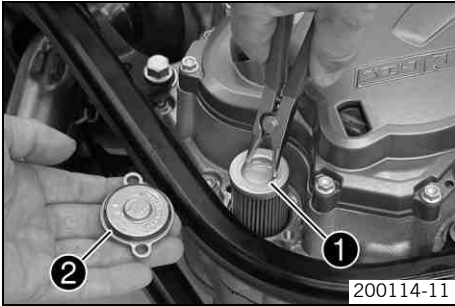


- Pull the oil filter insert ③ out of the oil filter casing.

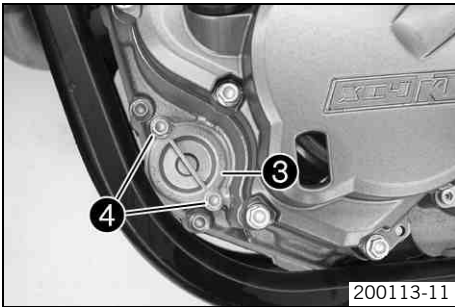
Circlip pliers reverse (51012011000)

- Completely drain the engine oil.
- Thoroughly clean parts and sealing surface.

## Installing the oil filter ↩



- Lay the motorcycle on its side and fill the oil filter housing to about 1/3 full with engine oil.
- Fill the oil filter ① with engine oil and place it in the oil filter container.
- Lubricate the O/ring ② of the oil filter cover.



- Refit the oil filter cover ③.
- Mount and tighten screws ④.

Guideline

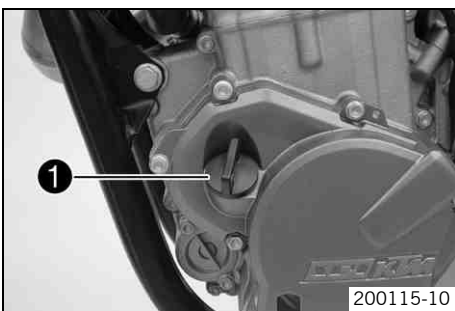
Screw, oil filter cover	M6	10 Nm (7.4 lbf ft)
-------------------------	----	--------------------

- Stand the motorcycle upright.

## Filling up with engine oil ↩

### **i** Info

Too little engine oil or poor-quality engine oil results in premature wear to the engine.



- Remove the screw cap ① on the generator cover and fill up with engine oil.

Engine oil (1st partial quantity approx.)	0.35 l (0.37 qt.)	Engine oil (SAE 10W/50) (☛ p. 105)
---	-------------------	------------------------------------

- Mount and tighten the screw connection on the generator cover.



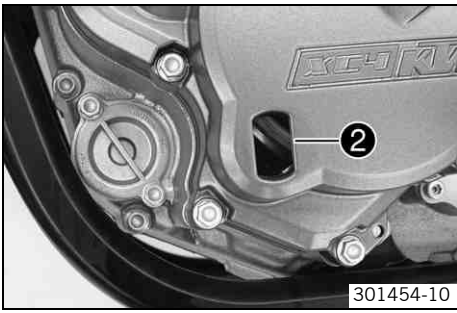
### **Danger**

**Danger of poisoning** Exhaust gases are poisonous and inhaling them may result in unconsciousness and/or death.

- When running the engine, always make sure there is sufficient ventilation, and do not start or run the engine in an enclosed space without an effective exhaust extraction system.

- Start the engine and let it run idle for 30 seconds.
- Stop the engine and check that it is oil-tight.





- Stand the motorcycle upright on a horizontal surface.
- Remove the screw connection on the generator cover.
- Fill in engine oil to the upper half of level viewer 2.

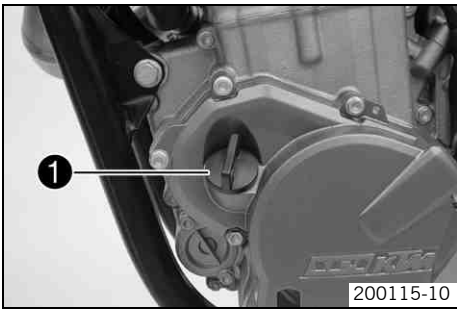
Engine oil (total filling capacity approx.)	0.60 l (0.63 qt.)	Engine oil (SAE 10W/50) (☞ p. 105)
---	-------------------	------------------------------------

- Mount and tighten the screw connection on the generator cover.

## Topping up engine oil

### **i** Info

Too little engine oil or poor-quality engine oil results in premature wear to the engine.



- Remove the screw cap 1 on the generator cover and fill up with engine oil.

Engine oil (SAE 10W/50) (☞ p. 105)
------------------------------------

- Mount and tighten screw cap 1.



### **Danger**

**Danger of poisoning** Exhaust gases are poisonous and inhaling them may result in unconsciousness and/or death.

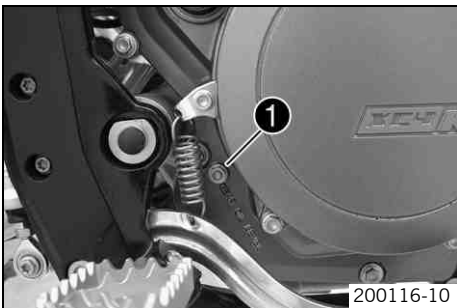
- When running the engine, always make sure there is sufficient ventilation, and do not start or run the engine in an enclosed space without an effective exhaust extraction system.

- Start the engine and check that it is oil-tight.
- Check the engine oil level. (☞ p. 81)

## Checking the gear oil level

### **i** Info

The gear oil level should only be checked when the engine is cold.



- Stand the motorcycle upright on a horizontal surface.

### **Condition**

Engine is cold.

- Remove gear oil level check screw 1. Stand the motorcycle upright.
- Check the gear oil level.

A small amount of gear oil should flow out.
---

- » If no gear oil flows out:
  - Add gear oil. ☞ (☞ p. 86)

- Mount and tighten the gear oil level check screw.

### Guideline

Screw, gear oil level check	M6	8 Nm (5.9 lbf ft)
-----------------------------	----	-------------------

## Changing gear oil, cleaning gear oil screen ☞



- Drain the gear oil and clean the gear oil screen. ☞ (☞ p. 85)
- Fill up with gear oil. ☞ (☞ p. 85)

## Draining gear oil, cleaning gear oil screen ↩



**Warning**

**Danger of scalding** Engine oil and gear oil get very hot when the motorcycle is ridden.

- Wear appropriate protective clothing and safety gloves. In case of burns, rinse immediately with lukewarm water.



**Warning**

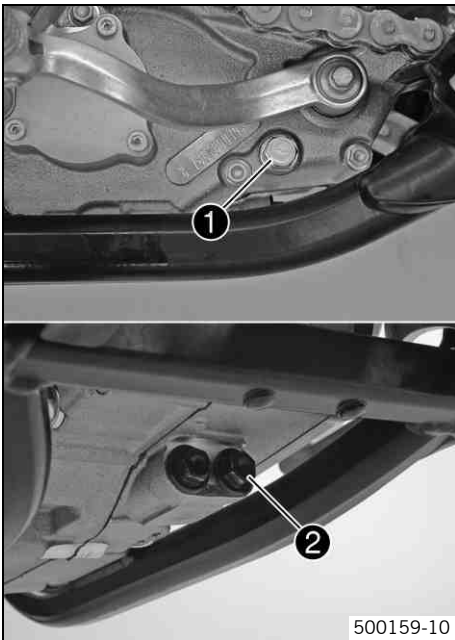
**Environmental hazard** Hazardous substances cause environmental damage.

- Oil, grease, filters, fuel, cleaners, brake fluid, etc., should be disposed of as stipulated in applicable regulations.



**Info**

Drain the gear oil only when the engine is warm.



- Stand the motorcycle on its side stand on a horizontal surface.
- Place a suitable container under the engine.
- Remove the gear oil drain plug ❶.
- Remove the gear oil screen plug ❷.
- Completely drain the gear oil.
- Thoroughly clean the gear oil drain plug with a magnet.
- Thoroughly clean the drain plug and gear oil screen with a magnet.
- Clean the sealing surface on the engine.
- Refit gear oil drain plug ❶ with seal ring and tighten it.

Guideline

Gear oil drain plug with magnet	M12x1.5	20 Nm (14.8 lbf ft)
---------------------------------	---------	------------------------

- Mount and tighten the gear oil screen drain plug ❷.

Guideline

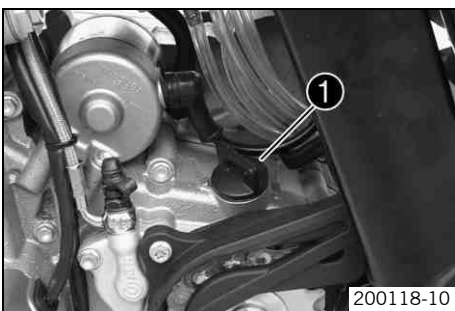
Plug, gear oil screen	M16x1.5	20 Nm (14.8 lbf ft)
-----------------------	---------	------------------------

## Filling up with gear oil ↩



**Info**

Too little gear oil or poor-quality oil results in premature wear to the transmission.



- Remove the screw cap ❶ and fill up with gear oil.

Gear oil	0.90 l (0.95 qt.)	Engine oil (SAE 10W/50) (☛ p. 105)
----------	-------------------	------------------------------------

- Mount and tighten screw cap ❶.



**Danger**

**Danger of poisoning** Exhaust gases are poisonous and inhaling them may result in unconsciousness and/or death.

- When running the engine, always make sure there is sufficient ventilation, and do not start or run the engine in an enclosed space without an effective exhaust extraction system.

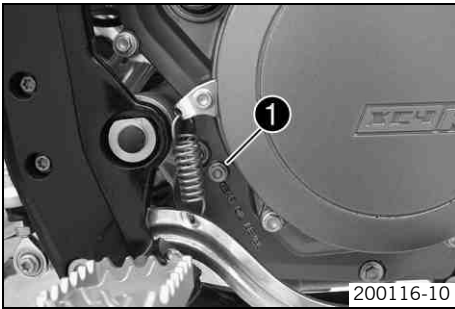
- Start the engine and check that it is oil-tight.
- Check the gear oil level. (☛ p. 84)

## Adding gear oil

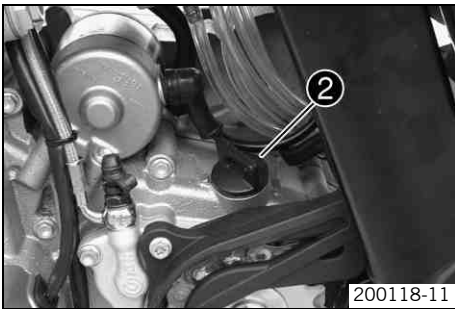


### Info

Too little gear oil or poor-quality oil results in premature wear to the transmission.



- Remove gear oil level check screw ①.



- Remove screw cap ②. Stand the vehicle upright.
- Top up with gear oil until it flows out of the bore of the gear oil level screw.

Engine oil (SAE 10W/50) (☛ p. 105)
------------------------------------

- Mount and tighten the gear oil level check screw.

### Guideline

Screw, gear oil level check	M6	8 Nm (5.9 lbf ft)
-----------------------------	----	-------------------

- Mount and tighten screw cap ②.



### Danger

**Danger of poisoning** Exhaust gases are poisonous and inhaling them may result in unconsciousness and/or death.

- When running the engine, always make sure there is sufficient ventilation, and do not start or run the engine in an enclosed space without an effective exhaust extraction system.

- Start the engine and check that it is oil-tight.

Faults	Possible cause	Action
The engine cannot be cranked (electric starter).	Operating error	<ul style="list-style-type: none"> <li>Go through the steps of starting the engine. (☛ p. 31)</li> </ul>
	Battery discharged	<ul style="list-style-type: none"> <li>Recharge the battery. ☛ (☛ p. 69)</li> <li>Check the charging voltage. ☛</li> <li>Check the stall current. ☛</li> <li>Check the generator. ☛</li> </ul>
	Fuse blown	<ul style="list-style-type: none"> <li>Remove the fuse. (☛ p. 70)</li> <li>Install the fuse. (☛ p. 70)</li> </ul>
	Starter relay defective	<ul style="list-style-type: none"> <li>Check the starter relay. ☛</li> </ul>
	Starter motor defective	<ul style="list-style-type: none"> <li>Check the starter motor. ☛</li> </ul>
Engine turns but does not start	Operating error	<ul style="list-style-type: none"> <li>Go through the steps of starting the engine. (☛ p. 31)</li> </ul>
	Motorcycle was out of use for a long time and there is old fuel in the float chamber	<ul style="list-style-type: none"> <li>Empty the carburetor float chamber. ☛ (☛ p. 81)</li> </ul>
	Fuel supply interrupted	<ul style="list-style-type: none"> <li>Check the fuel tank breather.</li> <li>Clean the fuel tap.</li> <li>Check/adjust the carburetor components. ☛</li> </ul>
	Engine flooded	<ul style="list-style-type: none"> <li>Clean and dry the spark plug or replace if necessary.</li> </ul>
	Spark plug oily or wet	<ul style="list-style-type: none"> <li>Clean and dry the spark plug or replace if necessary.</li> </ul>
	Electrode distance (plug gap) of spark plug too wide	<ul style="list-style-type: none"> <li>Adjust the plug gap.</li> <li>Guideline Spark plug electrode gap 0.9 mm (0.035 in)</li> </ul>
	Defect in ignition system	<ul style="list-style-type: none"> <li>Check the ignition system. ☛</li> </ul>
	Short-circuit cable in wiring harness frayed, short-circuit button or emergency OFF switch defective	<ul style="list-style-type: none"> <li>Check the wiring harness. (visual check)</li> <li>Check the electrical system.</li> </ul>
	Plug connector of CDI control device, pulse generator or ignition coil oxidized.	<ul style="list-style-type: none"> <li>Clean the plug connector and treat it with contact spray.</li> </ul>
Engine has no idle	Idling jet blocked	<ul style="list-style-type: none"> <li>Check/adjust the carburetor components. ☛</li> </ul>
	Adjusting screws on carburetor distorted	<ul style="list-style-type: none"> <li>Carburetor - adjust the idle speed. ☛ (☛ p. 80)</li> </ul>
	Spark plug defective	<ul style="list-style-type: none"> <li>Change spark plug.</li> </ul>
	Ignition system defective	<ul style="list-style-type: none"> <li>Check the ignition coil. ☛</li> <li>Check the CDI controller. ☛</li> <li>Check the spark plug connector. ☛</li> <li>Check the ignition pulse generator. ☛</li> <li>Check the generator. ☛</li> </ul>
Engine does not speed up	Carburetor running over because float needle dirty or worn	<ul style="list-style-type: none"> <li>Check/adjust the carburetor components. ☛</li> </ul>
	Loose carburetor jets	<ul style="list-style-type: none"> <li>Check/adjust the carburetor components. ☛</li> </ul>
	Ignition system defective	<ul style="list-style-type: none"> <li>Check the ignition coil. ☛</li> <li>Check the CDI controller. ☛</li> <li>Check the spark plug connector. ☛</li> <li>Check the ignition pulse generator. ☛</li> <li>Check the generator. ☛</li> </ul>
Engine has a lack of power	Fuel supply interrupted	<ul style="list-style-type: none"> <li>Check the fuel tank breather.</li> <li>Clean the fuel tap.</li> <li>Check/adjust the carburetor components. ☛</li> </ul>

Faults	Possible cause	Action
Engine has a lack of power	Air filter heavily contaminated	- Clean the air filter. 🛠️ (📖 p. 77)
	Exhaust system leaky, deformed or too little glass fiber yarn filling in main silencer	- Check exhaust system for damage. - Change glass fiber yarn filling of main silencer. 🛠️
	Valve clearance too little	- Adjust the valve clearance. 🛠️
	Ignition system defective	- Check the ignition coil. 🛠️ - Check the CDI controller. 🛠️ - Check the spark plug connector. 🛠️ - Check the ignition pulse generator. 🛠️ - Check the generator. 🛠️
Engine stalls or pops back into the carburetor	Lack of fuel	- Turn handle ❶ of the fuel tap to the <b>ON</b> position. (Figure 500137-10 📖 p. 22) - Refuel. (📖 p. 33)
	The intake system has an air leak	- Check rubber sleeves and carburetor for tightness.
Engine overheats	Coolant level low in cooling system	- Check the cooling system for leaks. - Check the coolant level. (📖 p. 74)
	Insufficient airflow	- Switch off engine when stationary.
	Radiator fins very dirty	- Clean radiator fins.
	Foam formation in cooling system	- Drain the coolant. 🛠️ (📖 p. 74) - Refill the coolant. 🛠️ (📖 p. 75)
	Bent radiator hose	- Change the radiator hose. 🛠️
	Thermostat defective	- Check the thermostat. 🛠️ Guideline Opening temperature: 70 °C (158 °F)
High oil consumption	Engine vent hose bent	- Route the vent hose without bends or replace it if necessary.
	Engine oil level too high	- Check the engine oil level. (📖 p. 81)
	Engine oil too thin (low viscosity)	- Change the engine oil and oil filter and clean the engine oil screen. 🛠️ (📖 p. 82)
	Piston and/or cylinder worn	- Piston/cylinder - determine the mounting clearance 🛠️
Battery discharged	The battery does not charge	- Check the charging voltage. 🛠️ - Check the charging current. 🛠️ - Check the generator. 🛠️
	Undesired power consumer	- Check the stall current. 🛠️
Speedometer values deleted (time, stop watch, lap times)	The battery in the speedometer is empty.	- Change the battery in the speedometer.

## Cleaning the motorcycle

### Note

**Material damage** Damage and destruction of components by high-pressure cleaning equipment.

- Never clean the vehicle with high-pressure cleaning equipment or a strong water-jet. The excessive pressure can penetrate electrical components, socket connects, throttle cables, and bearings, etc., and can damage or destroy these parts.



### Warning

**Environmental hazard** Hazardous substances cause environmental damage.

- Oil, grease, filters, fuel, cleaners, brake fluid, etc., should be disposed of as stipulated in applicable regulations.



### Info

If you clean the motorcycle regularly, its value and appearance are maintained over a long period. Avoid direct sunshine on the motorcycle during cleaning.

- Seal the exhaust system to keep water out.
- First remove coarse dirt particles with a gentle water spray.
- Spray very dirty areas with a normal motorcycle cleaner and then clean with a paintbrush.

Motorcycle cleaner (☛ p. 107)



### Info

Use warm water containing normal motorcycle cleaner and a soft sponge.

- After rinsing the motorcycle with a gentle water spray, allow it to dry thoroughly.
- Empty the carburetor float chamber. ☛ (☛ p. 81)



### Warning

**Danger of accidents** Reduced braking efficiency due to wet or dirty brakes.

- Clean or dry dirty or wet brakes by riding and braking gently.

- After cleaning, ride a short distance until the engine reaches operating temperature.



### Info

The heat generated, causes water to evaporate from the engine and brakes, even in inaccessible areas.

- Push back the protection covers of the handlebar grips to allow any water that has penetrated to evaporate.
- After the motorcycle has cooled off, oil or grease all moving parts and bearings.
- Clean the chain. (☛ p. 52)
- Treat bare metal parts (except for brake discs and exhaust system) with anti-corrosion materials.

Cleaning and preserving materials for metal, rubber and plastic (☛ p. 107)

- Treat all plastic parts and powder-coated parts with a mild cleaning and care product.

Paint cleaner and polish for high-gloss and matte finishes, bare metal and plastic surfaces (☛ p. 108)

- To prevent electrical problems, treat electric contacts and switches with contact spray.

Contact spray (☛ p. 107)

- Lubricate the steering lock.

Universal oil spray (☛ p. 108)

## Storage



### Warning

**Danger of poisoning** Fuel is poisonous and a health hazard.

- Avoid contact between fuel and skin, eyes and clothing. Do not inhale fuel vapors. If fuel gets into your eyes, rinse immediately with water and contact a doctor. Wash affected skin areas immediately with soap and water. If fuel is swallowed, contact a doctor immediately. Change clothing that has come into contact with fuel. Store fuel in a suitable canister according to regulations and keep it out of the reach of children.



### Info

If you want to garage the motorcycle for a longer period, take the following actions.

Before storing the motorcycle, check all parts for function and wear. If service, repairs or replacements are necessary, you should do this during the storage period (less workshop overload). In this way, you can avoid long workshop waiting times at the start of the new season.

- Clean the motorcycle. (🔧 p. 89)
- Change the engine oil and oil filter and clean the engine oil screen. 🛠️ (🔧 p. 82)
- Change the gear oil and clean the gear oil screen. 🛠️ (🔧 p. 84)
- Check the anti-freeze and coolant level. (🔧 p. 73)
- Drain the fuel from the tanks into a suitable container.
- Empty the carburetor float chamber. 🛠️ (🔧 p. 81)
- Check the tire air pressure. (🔧 p. 67)
- Remove the battery. 🛠️ (🔧 p. 68)
- Recharge the battery. 🛠️ (🔧 p. 69)

#### Guideline

Storage temperature of battery (not placed in direct sunshine)	0... 35 °C (32... 95 °F)
--	--------------------------

- Place the vehicle on a dry storage place that is not subject to large temperature variations.



### Info

KTM recommends jacking up the motorcycle.

- Jack up the motorcycle. (🔧 p. 38)
- Cover the vehicle with an air-permeable cover or blanket.



### Info

Do not use non-porous materials since they prevent humidity from escaping, thus causing corrosion.

Avoid running the engine for a short time only. Since the engine cannot warm up properly, the water vapor produced during combustion condenses and causes parts of the engine and exhaust system to rust.

## Putting into operation after storage

- Remove the motorcycle from the work stand. (🔧 p. 38)
- Install the battery. 🛠️ (🔧 p. 69)
- Refuel. (🔧 p. 33)
- Check before putting into operation. (🔧 p. 31)
- Take a test ride.



Design	1-cylinder 4-stroke engine, water-cooled
Displacement (450 EXC USA)	449.3 cm <sup>3</sup> (27.418 cu in)
Displacement (530 EXC USA)	510.4 cm <sup>3</sup> (31.147 cu in)
Stroke (450 EXC USA)	63.4 mm (2.496 in)
Stroke (530 EXC USA)	72 mm (2.83 in)
Bore	95 mm (3.74 in)
Compression ratio	11.9:1
Idle speed	1,550... 1,650 rpm
Control	OHC, 4 valves controlled via rocker arm, drive via tooth/wheel chain
Valve diameter, intake	39.5 mm (1.555 in)
Valve diameter, exhaust	31.7 mm (1.248 in)
Valve clearance	
Exhaust at: 20 °C (68 °F)	0.12... 0.17 mm (0.0047... 0.0067 in)
Intake at: 20 °C (68 °F)	0.10... 0.15 mm (0.0039... 0.0059 in)
Crankshaft bearing	2 grooved ball bearings
Conrod bearing	Needle bearing
Piston pin bearing	No bearing bushes - DLC-plated piston pins
Pistons	Forged light alloy
Piston rings	1 compression ring, 1 oil scraper ring
Engine lubrication	Pressure circulation lubrication with 2 rotor pumps (engine) / 1 rotor pump (transmission)
Primary transmission	33:76
Clutch	Multidisc clutch in oil bath / hydraulically activated
Transmission ratio	
1st gear	14:36
2nd gear	17:32
3rd gear	19:28
4th gear	22:26
5th gear	24:23
6th gear	26:21
Generator	12 V, 150 W
Ignition	Contactless controlled fully electronic ignition with digital ignition adjustment, type Kokusan
Spark plug	NGK LKAR 8AI - 9
Spark plug electrode gap	0.9 mm (0.035 in)
Cooling	Water, permanent circulation of coolant by water pump
Starter	Electric starter/kick starter

### Capacity - engine oil

Engine oil	0.60 l (0.63 qt.)	Engine oil (SAE 10W/50) (☛ p. 105)
------------	-------------------	------------------------------------

### Capacity - gear oil

Gear oil	0.90 l (0.95 qt.)	Engine oil (SAE 10W/50) (☛ p. 105)
----------	-------------------	------------------------------------

## Capacity - coolant

Coolant	0.95 l (1 qt.)	Coolant (☛ p. 105)
		Coolant (mixed ready to use) (☛ p. 105)

Screw, cable holder in generator cover	M4	4 Nm (3 lbf ft)	<b>Loctite® 243™</b>
Locking screw for bearing	M5	6 Nm (4.4 lbf ft)	<b>Loctite® 243™</b>
Oil jet, piston cooling	M5	2 Nm (1.5 lbf ft)	<b>Loctite® 243™</b>
Oil jet, rocker arm lubrication	M5	2 Nm (1.5 lbf ft)	<b>Loctite® 243™</b>
Screw, ignition pulse generator	M5	6 Nm (4.4 lbf ft)	<b>Loctite® 243™</b>
Screw, locking lever	M5	6 Nm (4.4 lbf ft)	<b>Loctite® 243™</b>
Screw, oil pump cover	M5	6 Nm (4.4 lbf ft)	<b>Loctite® 222</b>
Bleeding connection, transmission	M6	4 Nm (3 lbf ft)	<b>Loctite® 243™</b>
Nut, water pump impeller	M6	8 Nm (5.9 lbf ft)	<b>Loctite® 243™</b>
Plug, vacuum connection	M6	5 Nm (3.7 lbf ft)	<b>Loctite® 243™</b>
Screw generator cover	M6x25	10 Nm (7.4 lbf ft)	–
Screw generator cover	M6x40	10 Nm (7.4 lbf ft)	–
Screw, camshaft bearing support	M6	10 Nm (7.4 lbf ft)	<b>Loctite® 243™</b>
Screw, clutch cover	M6x25	10 Nm (7.4 lbf ft)	–
Screw, clutch cover	M6x30	10 Nm (7.4 lbf ft)	–
Screw, clutch spring	M6	10 Nm (7.4 lbf ft)	–
Screw, cylinder head	M6	10 Nm (7.4 lbf ft)	–
Screw, engine housing	M6x60	10 Nm (7.4 lbf ft)	–
Screw, engine housing	M6x75	10 Nm (7.4 lbf ft)	–
Screw, exhaust flange	M6	10 Nm (7.4 lbf ft)	–
Screw, gear oil level check	M6	8 Nm (5.9 lbf ft)	–
Screw, idler	M6	10 Nm (7.4 lbf ft)	<b>Loctite® 243™</b>
Screw, kickstarter spring hanger	M6	10 Nm (7.4 lbf ft)	–
Screw, kickstarter stop	M6	10 Nm (7.4 lbf ft)	<b>Loctite® 243™</b>
Screw, oil filter cover	M6	10 Nm (7.4 lbf ft)	–
Screw, shift drum locating	M6	10 Nm (7.4 lbf ft)	<b>Loctite® 243™</b>
Screw, shift lever	M6	14 Nm (10.3 lbf ft)	<b>Loctite® 243™</b>
Screw, starter motor	M6	10 Nm (7.4 lbf ft)	–
Screw, stator bracket	M6	10 Nm (7.4 lbf ft)	<b>Loctite® 243™</b>
Screw, timing chain guide rail	M6	8 Nm (5.9 lbf ft)	<b>Loctite® 243™</b>
Screw, timing chain securing guide	M6	8 Nm (5.9 lbf ft)	<b>Loctite® 243™</b>
Screw, timing chain tensioning rail	M6	8 Nm (5.9 lbf ft)	<b>Loctite® 243™</b>
Screw, torque governor	M6	10 Nm (7.4 lbf ft)	<b>Loctite® 243™</b>
Screw, valve cover	M6	10 Nm (7.4 lbf ft)	–
Screw, water pump cover	M6x25	10 Nm (7.4 lbf ft)	–
Screw, water pump cover	M6x55	10 Nm (7.4 lbf ft)	–
Oil jet, conrod lubrication	M6x0.75	4 Nm (3 lbf ft)	–
Plug, oil channel	M7	9 Nm (6.6 lbf ft)	<b>Loctite® 243™</b>
Screw, rocker arm bearing	M7x1	15 Nm (11.1 lbf ft)	–
Plug, crankshaft location	M8	10 Nm (7.4 lbf ft)	–
Screw, kickstarter	M8	25 Nm (18.4 lbf ft)	<b>Loctite® 243™</b>
Plug, oil drilling	M10	15 Nm (11.1 lbf ft)	<b>Loctite® 243™</b>
Screw, engine sprocket	M10	60 Nm (44.3 lbf ft)	<b>Loctite® 243™</b>
Balancer shaft nut	M10x1	40 Nm (29.5 lbf ft)	–
Screw, unlocking of timing chain tensioner	M10x1	10 Nm (7.4 lbf ft)	–

Screw, cylinder head	M10x1.25	Tightening sequence: Tighten diagonally, beginning with the rear screw on the chain shaft. Step 1 10 Nm (7.4 lbf ft) Step 2 30 Nm (22.1 lbf ft) Step 3 50 Nm (36.9 lbf ft)	lubricated with engine oil
Nut, rotor	M12x1	60 Nm (44.3 lbf ft)	–
Spark plug	M12x1.25	15... 20 Nm (11.1... 14.8 lbf ft)	–
Gear oil drain plug with magnet	M12x1.5	20 Nm (14.8 lbf ft)	–
Oil pressure control valve plug	M12x1.5	20 Nm (14.8 lbf ft)	–
Plug, SLS	M12x1.5	20 Nm (14.8 lbf ft)	–
Plug, rocker arm	M14x1.25	20 Nm (14.8 lbf ft)	–
Plug, gear oil screen	M16x1.5	20 Nm (14.8 lbf ft)	–
Plug, engine oil screen	M17x1.5	20 Nm (14.8 lbf ft)	–
Nut, inner clutch hub	M18x1.5	80 Nm (59 lbf ft)	–
Nut, primary gear	M20LHx1.5	100 Nm (73.8 lbf ft)	<b>Loctite® 243™</b>
Plug, timing chain tensioner	M24x1.5	30 Nm (22.1 lbf ft)	–

## 450 EXC USA

Carburetor type	KEIHIN FCR-MX 39
Carburetor identification number	3900Z
Needle position	4th position from top
Idle mixture adjusting screw	
Open	1.75 turns
Pump membrane stop	2.15 mm (0.0846 in)
Main jet	180
Jet needle	OBDYU
Idling jet	48
Idle air jet	100
Cold start jet	85
Leakage nozzle	40

## 530 EXC USA

Carburetor type	KEIHIN FCR-MX 39
Carburetor identification number	3900Y
Needle position	3rd position from top
Idle mixture adjusting screw	
Open	2.0 turns
Pump membrane stop	2.15 mm (0.0846 in)
Main jet	180
Jet needle	OBDZT
Idling jet	48
Idle air jet	100
Cold start jet	85
Leakage nozzle	40

Frame	Central tube frame made of chrome molybdenum steel tubing	
Fork	<b>WP Suspension</b> Up Side Down 4860 MXMA PA	
Suspension travel		
Front	300 mm (11.81 in)	
Rear	335 mm (13.19 in)	
Fork offset	19 mm (0.75 in)	
Shock absorber	<b>WP Suspension</b> PDS 5018 DCC	
Brake system	Disc brakes, brake calipers on floating bearings	
Brake discs - diameter		
Front	260 mm (10.24 in)	
Rear	220 mm (8.66 in)	
Brake discs - wear limit		
Front	2.5 mm (0.098 in)	
Rear	3.5 mm (0.138 in)	
Tire air pressure off road		
Front	1.0 bar (15 psi)	
Rear	1.0 bar (15 psi)	
Road tire pressure		
Front	1.5 bar (22 psi)	
Rear	2.0 bar (29 psi)	
Final drive	15:45	
Chain	5/8 x 1/4"	
Rear sprockets available	38, 40, 42, 45, 48, 49, 50, 51, 52	
Steering head angle	63.5°	
Wheelbase	1,475±10 mm (58.07±0.39 in)	
Seat height unloaded	985 mm (38.78 in)	
Ground clearance unloaded	380 mm (14.96 in)	
Weight without fuel, approx.	114.8 kg (253.1 lb.)	
Maximum permissible front axle load	145 kg (320 lb.)	
Maximum permissible rear axle load	190 kg (419 lb.)	
Maximum permissible overall weight	335 kg (739 lb.)	

Battery	YTX5L-BS	Battery voltage: 12 V Nominal capacity: 4 Ah Maintenance-free
---------	----------	---

## Lighting equipment

Headlight	S2/socket BA20d	12 V 35/35 W
Parking light	W5W/socket W2.1x9.5d	12 V 5 W
Indicator lights	W2.3W / socket W2x4.6d	12 V 2.3 W
Turn signal	RY10W/socket BAU15s	12 V 10 W
Brake/tail light	P21/5W/socket BAY15d	12 V 21/5 W

## Tires

Front tire	Rear tire
<b>90/90 - 21 M/C 54M M+S TT</b> Metzeler MCE 6 DAYS EXTREME	<b>140/80 - 18 M/C 70M M+S TT</b> Metzeler MCE 6 DAYS EXTREME
Additional information is available in the Service section under: <a href="http://www.ktm.com">http://www.ktm.com</a>	

## Capacity - fuel

Total fuel tank capacity, approx.	9.2 l (2.43 US gal)	Super unleaded (ROZ 95 / RON 95 / PON 91) (☛ p. 106)
Fuel reserve, approx.	2 l (2 qt.)	



Fork part number	14.18.7J.06	
Fork	<b>WP Suspension</b> Up Side Down 4860 MXMA PA	
Compression damping		
Comfort	26 clicks	
Standard	22 clicks	
Sport	18 clicks	
Rebound damping		
Comfort	24 clicks	
Standard	20 clicks	
Sport	20 clicks	
Spring length with preload spacer(s)	510 mm (20.08 in)	
Spring rate		
Weight of rider: 65... 75 kg (143... 165 lb.)	4.4 N/mm (25.1 lb/in)	
Weight of rider: 75... 85 kg (165... 187 lb.)	4.6 N/mm (26.3 lb/in)	
Weight of rider: 85... 95 kg (187... 209 lb.)	4.8 N/mm (27.4 lb/in)	
Air chamber length	110 <sup>+20</sup> <sub>-30</sub> mm (4.33 <sup>+0.79</sup> <sub>-1.18</sub> in)	
Spring preload - <b>Preload Adjuster</b>		
Comfort	0 turn	
Standard	2 turns	
Sport	4 turns	
Fork length	940 mm (37.01 in)	
Fork oil per fork leg	626 ml (21.17 fl. oz.)	Fork oil (SAE 5) (☛ p. 105)

Shock absorber part number	12.18.7J.06
Shock absorber	<b>WP Suspension</b> PDS 5018 DCC
Compression damping, low-speed	
Comfort	22 clicks
Standard	20 clicks
Sport	15 clicks
Compression damping, high-speed	
Comfort	2 turns
Standard	1.5 turns
Sport	1.25 turns
Rebound damping	
Comfort	26 clicks
Standard	24 clicks
Sport	22 clicks
Spring preload	9 mm (0.35 in)
Spring rate	
Weight of rider: 65... 75 kg (143... 165 lb.)	69 N/mm (394 lb/in)
Weight of rider: 75... 85 kg (165... 187 lb.)	72 N/mm (411 lb/in)
Weight of rider: 85... 95 kg (187... 209 lb.)	76 N/mm (434 lb/in)
Spring length	250 mm (9.84 in)
Gas pressure	10 bar (145 psi)
Static sag	35 mm (1.38 in)
Riding sag	105 mm (4.13 in)
Fitted length	411 mm (16.18 in)
Damper oil	Shock absorber oil (SAE 2,5) (50180342S1) (☛ p. 105)

Spoke nipple, front wheel	M4.5	5... 6 Nm (3.7... 4.4 lbf ft)	–
Screw, spoiler on fuel tank	M5x12	1.5 Nm (1.11 lbf ft)	–
Spoke nipple, rear wheel	M5	5... 6 Nm (3.7... 4.4 lbf ft)	–
Remaining nuts, chassis	M6	15 Nm (11.1 lbf ft)	–
Remaining screws, chassis	M6	10 Nm (7.4 lbf ft)	–
Screw, ball joint of push rod on foot brake cylinder	M6	10 Nm (7.4 lbf ft)	–
Screw, front brake disc	M6	14 Nm (10.3 lbf ft)	–
Screw, rear brake disc	M6	14 Nm (10.3 lbf ft)	–
Screw, shock absorber adjusting ring	M6	5 Nm (3.7 lbf ft)	–
Nut, rear sprocket screw	M8	35 Nm (25.8 lbf ft)	<b>Loctite® 243™</b>
Nut, rim lock	M8	10 Nm (7.4 lbf ft)	–
Remaining nuts, chassis	M8	30 Nm (22.1 lbf ft)	–
Remaining screws, chassis	M8	25 Nm (18.4 lbf ft)	–
Screw, bottom triple clamp	M8	12 Nm (8.9 lbf ft)	–
Screw, engine brace	M8	33 Nm (24.3 lbf ft)	–
Screw, fork stub	M8	15 Nm (11.1 lbf ft)	–
Screw, front brake caliper	M8	25 Nm (18.4 lbf ft)	<b>Loctite® 243™</b>
Screw, handlebar clamp	M8	20 Nm (14.8 lbf ft)	–
Screw, side stand fixing	M8	40 Nm (29.5 lbf ft)	<b>Loctite® 243™</b>
Screw, subframe	M8	35 Nm (25.8 lbf ft)	<b>Loctite® 243™</b>
Screw, top steering stem	M8	17 Nm (12.5 lbf ft)	<b>Loctite® 243™</b>
Screw, top triple clamp	M8	17 Nm (12.5 lbf ft)	–
Engine attachment bolt	M10	60 Nm (44.3 lbf ft)	–
Remaining nuts, chassis	M10	50 Nm (36.9 lbf ft)	–
Remaining screws, chassis	M10	45 Nm (33.2 lbf ft)	–
Screw, handlebar support	M10	40 Nm (29.5 lbf ft)	<b>Loctite® 243™</b>
Screw, bottom shock absorber	M12	80 Nm (59 lbf ft)	<b>Loctite® 243™</b>
Screw, top shock absorber	M12	80 Nm (59 lbf ft)	<b>Loctite® 243™</b>
Nut, seat fixing	M12x1	20 Nm (14.8 lbf ft)	–
Nut, swingarm pivot	M16x1.5	100 Nm (73.8 lbf ft)	–
Nut, rear wheel spindle	M20x1.5	80 Nm (59 lbf ft)	–
Screw, top steering head	M20x1.5	10 Nm (7.4 lbf ft)	–
Screw-in nozzles, cooling system	M20x1.5	12 Nm (8.9 lbf ft)	<b>Loctite® 243™</b>
Screw, front wheel spindle	M24x1.5	45 Nm (33.2 lbf ft)	–





## Components

A6	CDI controller
B1	Throttle position sensor
B3	Wheel speed sensor
G1	Battery
G2	Generator
H1	Right rear flasher
H2	Left front flasher
H3	Left rear flasher
H4	Right front flasher
H5	Brake/tail light
H7	Parking light
H11	Low/high beam
H13	Horn
H15	Flasher indicator light
H18	High beam indicator light
K1	Starter relay with main fuse
K2	Flasher relay
L1	Pulse generator
L2	Ignition coil
M1	Starter motor
N2	Voltage regulator/rectifier
P1	Speedometer
S1	Rear brake light switch
S2	Front brake light switch
S5	Tripmaster switch (optional)
S6	Light switch
S7	Horn button
S8	Flasher switch
S10	Electric starter button
S11	Emergency OFF switch
S12	Headlight flasher button
S13	Ignition switch
X1	Ignition curve plug connection
X2	Radiator fan plug connection (optional)

## Cable colors

bl	Black
bl-wh	Black-white
br	Brown
br-bl	Brown-black
bu	Blue
bu-wh	Blue-white
gn	Green
gr	Gray
or	Orange
pu	Violet
re	Red
re-bl	Red-black
re-wh	Red-white
wh	White
wh-gn	White-green
wh-re	White-red

---

ye	Yellow
ye-bl	Yellow-black
ye-re	Yellow-red

---



## Brake fluid DOT 4 / DOT 5.1

**According to**

- DOT

**Guideline**

- Use only brake fluid that complies with the specified standards (see specifications on the container) and that possesses the corresponding properties. KTM recommends **Castrol** and **Motorex®** products.

**Supplier**

**Castrol**

- **RESPONSE BRAKE FLUID SUPER DOT 4**

**Motorex®**

- **Brake Fluid DOT 5.1**

## Coolant

**Guideline**

- Use only suitable coolant (also in countries with high temperatures). Use of low-quality antifreeze can lead to corrosion and foaming. KTM recommends **Motorex®** products.

**Mixture ratio**

Antifreeze protection: -25... -45 °C (-13... -49 °F)	50 % corrosion inhibitor/antifreeze 50 % distilled water
--	---

## Coolant (mixed ready to use)

Antifreeze	-40 °C (-40 °F)
------------	-----------------

**Supplier**

**Motorex®**

- **Anti Freeze**

## Engine oil (SAE 10W/50)

**According to**

- JASO T903 MA (☛ p. 109)
- SAE (☛ p. 109) (SAE 10W/50)

**Guideline**

- Use only engine oils that comply with the specified standards (see specifications on the container) and that possess the corresponding properties. KTM recommends **Motorex®** products.

Synthetic engine oil
----------------------

**Supplier**

**Motorex®**

- **Cross Power 4T**

## Fork oil (SAE 5)

**According to**

- SAE (☛ p. 109) (SAE 5)

**Guideline**

- Use only oils that comply with the specified standards (see specifications on the container) and that possess the corresponding properties. KTM recommends **Motorex®** products.

**Supplier**

**Motorex®**

- **Racing Fork Oil**

## Shock absorber oil (SAE 2,5) (50180342S1)

**According to**

- SAE (☛ p. 109) (SAE 2,5)

**Guideline**

- Use only oils that comply with the specified standards (see specifications on the container) and that possesses the corresponding properties.

## Super unleaded (ROZ 95 / RON 95 / PON 91)

### According to

- DIN EN 228 (ROZ 95 / RON 95 / PON 91)

## Air filter cleaner

### Guideline

- KTM recommends **Motorex®** products.

### Supplier

#### Motorex®

- **Twin Air Dirt Bio Remover**

## Chain cleaner

### Guideline

- KTM recommends **Motorex®** products.

### Supplier

#### Motorex®

- **Chain Clean 611**

## Cleaning and preserving materials for metal, rubber and plastic

### Guideline

- KTM recommends **Motorex®** products.

### Supplier

#### Motorex®

- **Protect & Shine 645**

## Contact spray

### Guideline

- KTM recommends **Motorex®** products.

### Supplier

#### Motorex®

- **Accu Contact**

## Long-life grease

### Guideline

- KTM recommends **Motorex®** products.

### Supplier

#### Motorex®

- **Fett 2000**

## Motorcycle cleaner

### Guideline

- KTM recommends **Motorex®** products.

### Supplier

#### Motorex®

- **Moto Clean 900**

## Off-road chain spray

### Guideline

- KTM recommends **Motorex®** products.

### Supplier

#### Motorex®

- **Chain Lube 622**

## Oil for foam air filter

### Guideline

- KTM recommends **Motorex®** products.

### Supplier

#### Motorex®

- **Twin Air Liquid Bio Power**

## Paint cleaner and polish for high-gloss and matte finishes, bare metal and plastic surfaces

### Guideline

- KTM recommends **Motorex®** products.

### Supplier

#### **Motorex®**

- **Clean & Polish**

## Universal oil spray

### Guideline

- KTM recommends **Motorex®** products.

### Supplier

#### **Motorex®**

- **Joker 440 Universal**

## **JASO T903 MA**

Different technical development directions required a new specification for 4-stroke motorcycles – the JASO T903 MA Standard. Earlier, engine oils from the automobile industry were used for 4-stroke motorcycles because there was no separate motorcycle specification. Whereas long service intervals are demanded for automobile engines, high performance at high engine speeds are in the foreground for motorcycle engines. With most motorcycles, the gearbox and the clutch are lubricated with the same oil as the engine. The JASO MA Standard meets these special requirements.

## **SAE**

The SAE viscosity classes were defined by the Society of Automotive Engineers and are used for classifying oils according to their viscosity. The viscosity describes only one property of oil and says nothing about quality.

**A**

**Accessories** . . . . . 5

**Air filter**

    cleaning . . . . . 77

    installing . . . . . 77

    removing . . . . . 76

**Air filter box lid**

    installing . . . . . 76

    removing . . . . . 76

**Anti-freeze**

    checking . . . . . 73

**Arduous riding conditions** . . . . . 27

    dry sand . . . . . 27

    high temperature . . . . . 30

    low temperature . . . . . 30

    muddy surfaces . . . . . 29

    slow speed . . . . . 30

    snow . . . . . 30

    wet sand . . . . . 28

    wet surfaces . . . . . 29

**B**

**Basic suspension setting**

    checking with rider's weight . . . . . 38

**Battery**

    installing . . . . . 69

    recharging . . . . . 69

    removing . . . . . 68

**Brake discs**

    checking . . . . . 56

**Brake fluid**

    front brake, adding . . . . . 57

    rear brake, adding . . . . . 61

**Brake fluid level**

    front brake, checking . . . . . 57

    rear brake, checking . . . . . 61

**Brake linings**

    front brake, changing . . . . . 59

    front brake, checking . . . . . 58

    rear brake, changing . . . . . 62

    rear brake, checking . . . . . 62

**C**

**Carburetor**

    adjusting idle . . . . . 80

    float chamber, emptying . . . . . 81

    idle . . . . . 80

**Chain**

    cleaning . . . . . 52

**Chain guide**

    adjusting . . . . . 56

**Chain tension**

    adjusting . . . . . 54

    checking . . . . . 52

**Chain wear**

    checking . . . . . 53

**Chassis number** . . . . . 12

**Choke** . . . . . 23

**Cleaning** . . . . . 89

**Clutch**

    fluid level, checking . . . . . 78

    fluid, changing . . . . . 78

**Clutch lever** . . . . . 14

    adjusting basic position . . . . . 77

**Compression damping**

    fork, adjusting . . . . . 43

**Compression damping, high-speed**

    shock absorber, adjusting . . . . . 38

**Compression damping, low-speed**

    shock absorber, adjusting . . . . . 39

**Coolant**

    draining . . . . . 74

    refilling . . . . . 75

**Coolant level**

    checking . . . . . 73-74

**Cooling system** . . . . . 73

**E**

**Electric starter button** . . . . . 14

**Emergency OFF switch** . . . . . 14

**Engine**

    running-in . . . . . 27

**Engine number** . . . . . 12

**Engine oil**

    changing . . . . . 82

    draining . . . . . 82

    refilling . . . . . 83

    topping up . . . . . 84

**Engine oil level**

    checking . . . . . 81

**Engine oil screen**

    cleaning . . . . . 82

**Environment** . . . . . 6

**F**

**Filler cap**

    closing . . . . . 22

    opening . . . . . 22

**Filling up**

    fuel . . . . . 33

**Flasher switch** . . . . . 15

**Foot brake lever** . . . . . 23

    basic position, adjusting . . . . . 60

    free travel, checking . . . . . 60

**Fork**

    basic setting, checking . . . . . 43

**Fork legs**

    bleeding . . . . . 44

    dust boots, cleaning . . . . . 44

    fitting . . . . . 46

    removing . . . . . 46

**Fork protector**

    installing . . . . . 47

    removing . . . . . 47

**Front fender**  
installing ..... 49  
removing ..... 49

**Front wheel**  
installing ..... 65  
removing ..... 64

**Fuel tank**  
installing ..... 72  
removing ..... 71

**Fuel tap** ..... 22

**Fuel, oils, etc.** ..... 5

**Fuse**  
installing ..... 70  
removing ..... 70

**G**

**Gear oil**  
adding ..... 86  
changing ..... 84  
draining ..... 85  
refilling ..... 85

**Gear oil level**  
checking ..... 84

**Gear oil screen**  
cleaning ..... 84-85

**H**

**Hand brake lever** ..... 14  
free travel, adjusting ..... 57  
free travel, checking ..... 56

**Handlebar position** ..... 50  
adjusting ..... 50

**Headlight**  
beam width, adjusting ..... 71

**Headlight adjustment**  
checking ..... 70

**Headlight flasher button** ..... 15

**Headlight mask with headlight**  
installing ..... 50  
removing ..... 49

**Horn button** ..... 15

**I**

**Ignition switch** ..... 14

**K**

**Key number** ..... 12

**Kick starter** ..... 23

**L**

**Light switch** ..... 15

**Lower triple clamp**  
fitting ..... 48  
removing ..... 47

**M**

**Main silencer**  
installing ..... 76  
removing ..... 75

**Maintenance** ..... 5

**Motorcycle**  
cleaning ..... 89

**O**

**Oil filter**  
changing ..... 82  
installing ..... 83  
removing ..... 82

**Overview of indicator lamps** ..... 15

**Owner's manual** ..... 8

**P**

**Play in throttle cable**  
adjusting ..... 51  
checking ..... 51

**Putting into operation**  
advice on first use ..... 26  
after storage ..... 90  
checks before putting into operation ..... 31

**R**

**Rear sprocket / engine sprocket**  
checking for wear ..... 53

**Rear wheel**  
installing ..... 66  
removing ..... 65

**Rebound damping**  
fork, adjusting ..... 43  
shock absorber, adjusting ..... 39

**Riding sag**  
adjusting ..... 42

**S**

**Seat**  
mounting ..... 71  
removing ..... 71

**Service schedule** ..... 35-37

**Shift lever** ..... 23  
basic position, adjusting ..... 79  
basic position, checking ..... 79

**Shock absorber**  
installing ..... 42  
removing ..... 42  
riding sag, checking ..... 41  
static sag, checking ..... 40

**Side stand** ..... 24

**Spare parts** ..... 5

**Speedometer**  
adjusting ..... 17  
clock, setting ..... 17  
function description ..... 16  
kilometers or miles, setting ..... 16

**Spoke tension**  
checking ..... 68

**Spring preload**  
fork, adjusting ..... 44  
shock absorber, adjusting ..... 41

**Starting** ..... 31



**Steering**  
 locking ..... 24  
 unlocking ..... 25

**Steering head bearing**  
 greasing ..... 49

**Steering head bearing play**  
 adjusting ..... 46  
 checking ..... 45

**Storage** ..... 90

**T**

**Technical data**  
 carburetor ..... 95  
 chassis ..... 96-97  
 chassis tightening torques ..... 100  
 engine ..... 91-92  
 engine tightening torques ..... 93-94  
 fork ..... 98  
 shock absorber ..... 99

**Throttle cable route**  
 checking ..... 51

**Tire condition**  
 checking ..... 67

**Tire pressure**  
 checking ..... 67

**Transport** ..... 5

**Troubleshooting** ..... 87-88

**Type label** ..... 12

**U**

**Use definition** ..... 5

**V**

**View of vehicle**  
 left front ..... 10  
 right rear ..... 11

**W**

**Warranty** ..... 5

**Wiring diagram** ..... 102-104

**Work rules** ..... 5



3211468en



09/2009 Photo: Mitterbauer



**KTM-Sportmotorcycle AG**  
5230 Mattighofen/Austria  
<http://www.ktm.com>

## Free Manuals Download Website

<http://myh66.com>

<http://usermanuals.us>

<http://www.somanuals.com>

<http://www.4manuals.cc>

<http://www.manual-lib.com>

<http://www.404manual.com>

<http://www.luxmanual.com>

<http://aubethermostatmanual.com>

Golf course search by state

<http://golfingnear.com>

Email search by domain

<http://emailbydomain.com>

Auto manuals search

<http://auto.somanuals.com>

TV manuals search

<http://tv.somanuals.com>