



KWC SYSTEMA

**Model number:**

10.501.134.[---] 12" Reach

Deck-mounted, single-hole, side-lever mixer with swivel spout and pull-down pre-rinse spray

Available in:

[000] All chrome

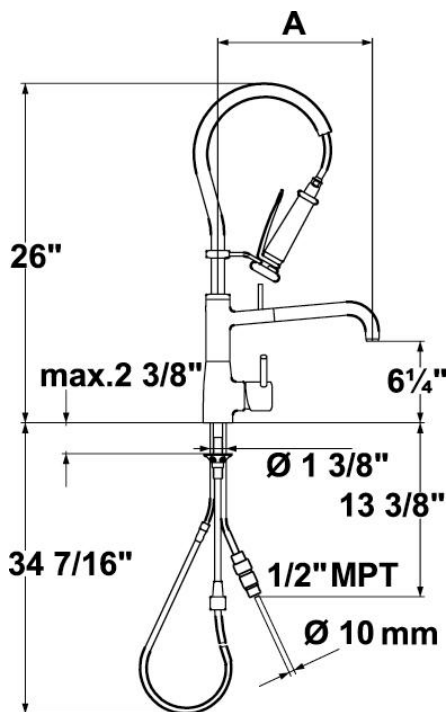
[127] Splendure™ Stainless Steel

Measurements:

A= 12"

Features:

- Durable, solid, low-lead brass construction
- Installs with lever on right side only
- Hermetically sealed, universal ceramic disc control cartridge with adjustable temperature and flow rate limitation
- 160° swivel spout
- Pre-rinse spray with integrated water hammer arrester and swan-neck hose-guide - pull-out length 20 inch
- 10 mm OD copper supply lines with 1/2" MPT adapter
- Mounting hole size $\varnothing = 1 \frac{3}{8}$ "
- Flow rate: 2.2 gpm @ 60 psi (spout)
6 gpm @ 60 psi (pre-rinse spray)



Free Manuals Download Website

<http://myh66.com>

<http://usermanuals.us>

<http://www.somanuals.com>

<http://www.4manuals.cc>

<http://www.manual-lib.com>

<http://www.404manual.com>

<http://www.luxmanual.com>

<http://aubethermostatmanual.com>

Golf course search by state

<http://golfingnear.com>

Email search by domain

<http://emailbydomain.com>

Auto manuals search

<http://auto.somanuals.com>

TV manuals search

<http://tv.somanuals.com>