



# KWC INTERLAKEN



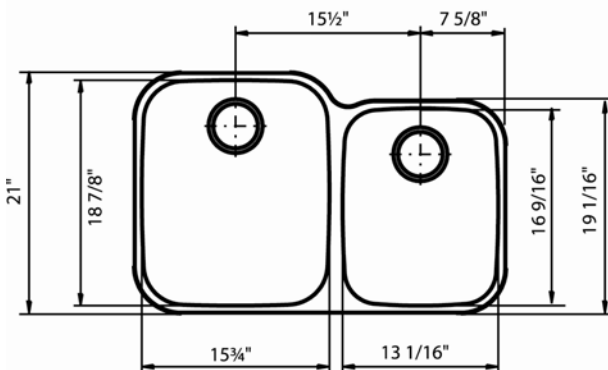
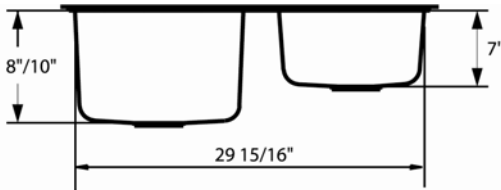
**Model number:**

**S.10.D8.02** Undermount 8" Deep

**S.10.D8.12** Undermount 10" Deep

**Features:**

- Large bowl left
- High buffed finish
- 18 gauge 18/10 chromium/nickel stainless steel
- Standard 3 1/2" drain opening size
- Underside protected by Dinaphon®
- Mounting hardware included
- Cutout: According to template (included)
- Recommended minimum cabinet size 33"



## Free Manuals Download Website

<http://myh66.com>

<http://usermanuals.us>

<http://www.somanuals.com>

<http://www.4manuals.cc>

<http://www.manual-lib.com>

<http://www.404manual.com>

<http://www.luxmanual.com>

<http://aubethermostatmanual.com>

Golf course search by state

<http://golfingnear.com>

Email search by domain

<http://emailbydomain.com>

Auto manuals search

<http://auto.somanuals.com>

TV manuals search

<http://tv.somanuals.com>