

— M R S —
MASTER REFERENCE SUBWOOFER
OWNER'S REFERENCE

Master Reference Subwoofer Owner's Reference, v00.1

Krell Industries, Inc.
45 Connair Road
Orange, CT 06477-3650 USA

TEL 203-799-9954
FAX 203-891-2028
E-MAIL krell@krellonline.com
WEBSITE <http://www.krellonline.com>



This product complies with the EMC directive (89/336/EEC) and the low-voltage directive (73/23/EEC).

WARNINGS

Do not place flammable material above or beneath the subwoofer.

Before making connections to the subwoofer, ensure that the back panel power switch is in the down position. Make sure all cable terminations are of the highest quality, free from frayed ends, short circuits, or cold solder joints.

Connecting non-CAST components to CAST inputs or outputs can damage your equipment and void your warranty.

Do not attempt to change CAST cable terminations or CAST inputs or outputs to RCA or XLR connectors. It is electrically impossible to convert CAST input or output connections for balanced or single-ended voltage operation.

THERE ARE NO USER SERVICEABLE PARTS INSIDE THE MASTER REFERENCE SUBWOOFER.

Please contact Krell if you have any questions not addressed in this manual.

This product is manufactured in the United States of America. Krell® is a registered trademark of Krell Industries, Inc., and is restricted for use by Krell Industries, Inc., its subsidiaries, and authorized agents. Krell CAST™ is a patent pending of Krell Industries, Inc. Krell Active Motion Control™, Krell Current Mode™, and Krell Link™ are trademarks of Krell Industries, Inc. Manufactured under license from Dolby Laboratories. "Dolby," "Pro Logic," and the double-D symbol are trademarks of Dolby Laboratories. Confidential Unpublished Works. Copyright 1992–1997 Dolby Laboratories, Inc. All rights reserved. All other trademarks and tradenames are registered to their respective companies.

Overview

This owner's reference is written to assist you with the seamless integration of the Master Reference Subwoofer into your audio/video system. Due to the size and weight of the subwoofer, there are special placement and installation issues that require your attention. In addition, to use the programmable electronic crossover, you need to set system configurations before you play music. Please read and follow this guide carefully to ensure safe installation, set-up, and operation of the Master Reference Subwoofer in your listening environment.

This owner's reference is divided into seven sections:

SECTION ONE: About Krell, pages 2-13

This section describes the Krell Legacy, Krell's revolutionary CAST technology, and defines key terms used in this reference.

Krell Legacy. Krell's ongoing pursuit of high-end audio excellence.

Revolutionary Krell CAST Technology. Krell's revolutionary method of connecting analog audio components for unparalleled sonic performance.

Ensuring Maximum Performance. A description of Krell's innovative technologies and design for the Master Reference Subwoofer as well as the core technologies developed for all Krell components.

Definition of Terms. Key terms used throughout the Master Reference Subwoofer owner's reference.

SECTION TWO: Unpacking and Placement, pages 14-17

This section describes the procedures for unpacking and placement of the Master Reference Subwoofer in the listening room.

Unpacking. Removing the subwoofer from its shipping crate and safely moving the subwoofer into the listening room.

Placement. Options for placing the subwoofer in the listening room; and the AC Power Guidelines.

SECTION THREE: Features, pages 18-29

This section provides illustrations of the Master Reference Subwoofer front panel, back panel, and remote control, and descriptions of front panel, back panel, and remote control features.

SECTION FOUR: Connections and Configurations, pages 30-41

This section provides information on connecting and configuring the Master Reference Subwoofer before playing music.

Connections. Integrating the Master Reference Subwoofer with other components in your system using CAST, balanced, or single-ended connections, as well as connecting the Master Reference Subwoofer (for stereo and low frequency effect operation).

Configurations. Instructions for setting configurations before you play music and how to save your settings to presets.

SECTION FIVE: Operation, pages 42-43

This section provides instructions for how to power on and power off manually.

SECTION SIX: Optional Connections, pages 44-46

This section describes the remote connection options that enable you to power on and control the Master Reference Subwoofer automatically.

Krell Link Connections and Operation. Describing how Krell Link works. Connecting and operating components connected through Krell Link.

RS-232 Connection. Describing an additional remote connection for receiving commands from a computer-based control system.

12 VDC (12 V Trigger) Connections. Describing an additional remote control option for the Master Reference Subwoofer and other components that contain a 12 V trigger.

SECTION SEVEN: Optional Configurations, pages 47-49

This section provides instructions for setting optional configurations, including turning LEDs on and off and selecting AC Mains operation.

WARRANTY, pages 50-51

RETURN AUTHORIZATION PROCEDURE, page 52



List of Illustrations

Figure 1, page 16

Master Reference Subwoofer Placement Options

Figure 2, page 18

Master Reference Subwoofer Front Panel

Figure 3, page 20

Master Reference Subwoofer Back Panel (Power)

Figure 4, page 21

Master Reference Subwoofer Back Panel (Inputs and Outputs)

Figure 5, page 25

Master Reference Subwoofer Remote Control

A Letter from Dan D'Agostino

Dear Audio Enthusiast,

Thank you for your purchase of the Master Reference Subwoofer.

The Master Reference Subwoofer is the result of my ongoing quest for designing reference caliber audio components.

I have been designing audio amplifiers for high performance audio systems for more than thirty years. The Master Reference Subwoofer represents the culmination of many years of engineering research and discerning listening. All of my insights and discoveries about the synergy between high performance amplifiers and low frequency music reproduction have come together in the design of this component.

I developed this subwoofer to be compatible not only with Krell's proprietary CAST components but also with the wide range of loudspeakers that are preferred by music enthusiasts. Krell's one-of-a-kind programmable electronic crossover makes this possible. The crossover includes three filters—Bessel, Butterworth, and Linkwitz-Riley—that adjust and match the subwoofer to any system and loudspeaker configuration. No other subwoofer offers this level of refinement. The Master Reference Subwoofer eliminates the loss of sound quality and power that occurs as music moves between the high and low frequency ranges. This Krell subwoofer produces low frequency sound the way it was meant to be heard—resonant, precise, and utterly reliable—without compromising the fidelity of the performance.

To me, the Master Reference Subwoofer is the logical next step in my personal passion for designing and developing high performance audio equipment. Innovative software controls and proprietary circuitry in a custom-machined chassis add dimension to your stereo and home theater systems, placing their low-end capability at the very vanguard of technology.

Thank you again for your decision to purchase the Master Reference Subwoofer. Designing and building the finest audio components continues to be my life's work. I am pleased to share my most recent triumph in audio engineering and design with you.

Sincerely,



Daniel D'Agostino

Chief Executive Officer

SECTION **ONE**

About Krell

This section describes the Krell Legacy, Krell's revolutionary CAST technology, and defines key terms used in this reference.

The Krell Legacy

"I design every Krell component to set the standard for workmanship, style, and performance."

Dan D'Agostino

High-end audio is a demanding pursuit—an ongoing quest for excellence in music reproduction that drives equipment manufacturers to strive for the absolute in design and performance. With a keen understanding of this passionate drive, Krell Industries, Inc. was founded in 1980.

Over the past two decades, Krell has earned a distinguished reputation for engineering innovation and product excellence. The company's history is replete with product introductions that have deeply impacted the high-end audio industry. The most discriminating audiophiles and product reviewers have consistently recognized Krell components for standard-setting performance.

The Master Reference Subwoofer represents the next era at Krell Industries, Inc.—the era of loudspeaker design and manufacture—which will join the ongoing legacy of Krell amplifiers. For three decades, Krell C.E.O. Dan D'Agostino has built amplifiers legendary for their ability to deliver optimum performance from any loudspeaker. This experience has yielded invaluable insights about the nature of loudspeaker design, which Krell has characteristically incorporated into its first subwoofer. The Master Reference Subwoofer is a full-fledged, reference caliber subwoofer that features a programmable crossover and proprietary circuit technology not found in any other subwoofer. The result is a subwoofer that raises your music and home theater systems to new levels of tonal quality, precision, and accuracy.

From the first Krell product — the KSA-100 — to the present, Dan D'Agostino has continually “pushed the envelope” of performance in his search for greater amplifier power and now, subwoofer power. His exploration of technologies, driven by his never-ending quest to elevate the standard of excellence, has resulted in breakthrough audio designs. Over the years, the Krell line of power amplifiers, including benchmark products such as the KRS-100, KRS-200, and the Audio Standard models, has established a legacy of unparalleled sonic performance. The Master Reference Subwoofer brings that level of performance to the low frequency range.

Dan D'Agostino remains committed to the development of new designs and technologies. And the Krell legacy will continue to evolve with products that deliver innovative engineering, perfection in build quality, and outstanding audio performance.

Revolutionary Krell CAST Technology

The Master Reference Subwoofer is designed with Current Audio Signal Transmission circuit technology, termed CAST. This circuitry is a revolutionary method of connecting analog audio components for unparalleled sonic performance. The innovative use of the new Krell CAST in combination with existing Krell Current Mode technology enables you to create entire CAST systems that reproduce music with incredible range, tonality, and precision.

The Traditional Audio System and Voltage Signal Transmission

Signal is transmitted in the voltage domain between two components in a traditional audio system. Each component is a discrete entity displaying unique characteristics that affect the musical signal independently. Each component is unaware of the other components in the system. The cables that connect the components also have their own electrical characteristics that affect the sonic presentation of the audio system.

A New Approach: Current Audio Signal Transmission

CAST circuitry recognizes signal transmitted between each component in the current domain instead of the voltage domain. CAST transmission unifies individual components and their interconnects into an electrically linked whole. The sonic presentation of the entire system remains intact.

The Basics of CAST

Here's how a CAST audio system works with the Master Reference Subwoofer. Each CAST source amplifies current internally, using Krell Current Mode circuitry. CAST circuitry then outputs this current signal. When the signal is received by a CAST input on a Master Reference Subwoofer, Krell Current Mode circuitry again manages the signal until the signal reaches the loudspeaker. An entire CAST system behaves as if it is one component because it maintains the musical signal in the current domain from beginning to end. Anomalies of signal transmission between components are eliminated. Cable impedances and their effects on the transmitted signal are non-existent.

CAST and Krell Current Mode Combined

CAST technology combined with Krell Current Mode circuitry take signal transmission to the next evolutionary level. Krell Current Mode is the technology developed to transfer the musical signal within a component, used in Krell components since 1995. Krell has now added CAST technology, a new method of transferring the musical signal between components. In essence, Krell Current Mode maintains the integrity of the signal within the Master Reference Subwoofer and CAST preserves the transmitted signal between source components and the Master Reference Subwoofer. Together, CAST and Krell Current Mode technologies unify separate Krell components into a *single global circuit*.

CAST Cables

CAST systems use cables manufactured by Krell and made by other manufacturers specially licensed by Krell. Thin, flexible CAST cables are constructed with the same build quality as Krell components and are aesthetically matched to the Krell product line. An all-metal body and locking connectors with gold contacts are part of the no-compromise specification developed as a standard for every CAST cable made.

The Best Musical Performance

A CAST system brings you significant improvements in every performance area: speed, precision, dynamic range, depth and width of the sound stage, transient impact, tonal balance, harmonic distortion, and more. The goal behind designing CAST into the Master Reference Subwoofer reflects the company goal for every Krell product. Krell strives for the delivery of the best performance of a musical event for you, using the full expression of technology to date.

Thank you for your appreciation of our research and development effort.

Ensuring Maximum Performance

The function of the Master Reference Subwoofer is to reproduce, with unprecedented authority and fidelity, the lowest reaches of the audio spectrum, thereby extending the low frequency capabilities of even the finest music and home theater systems.

The Krell Master Reference Subwoofer sets a new standard in powered subwoofer design. At the heart of the Master Reference Subwoofer is its proprietary interface. This programmable electronic crossover provides unparalleled matching for subwoofer and system components and allows seamless integration with any loudspeaker configuration. Additional innovative technologies such as Active Motion Control are specifically designed to unleash the full power of the built-in Krell amplifier while assuring that the special characteristics of low frequency sound are meticulously reproduced. Innovative technology teamed with Krell's outstanding core technology ensure maximum power, precision, and performance in the low frequency range.

Innovative Subwoofer Technology and Design

Programmable Electronic Crossover

The programmable electronic crossover is a design *tour de force*. It seamlessly matches the Master Reference Subwoofer to the characteristics of your system. You can select and adjust high-pass and low-pass filter profiles and parameters. Three filter profiles with unique response characteristics integrate the Master Reference Subwoofer with any loudspeaker and listening setup. Each filter profile includes parameters for frequency, slope, and level, allowing you to further fine-tune the subwoofer to your system. These adjustments are easy to select using the Master Reference Subwoofer's step-by-step menu and remote control.

Krell Active Motion Control

The traditional approach to subwoofer design is to incorporate a standard servo circuit that uses feedback to control the drivers at higher output levels. Doing so effectively controls the drivers, but it can also dampen the musical dynamics, losing the visceral impact of the low frequency range.

Active Motion Control is a unique circuit topology developed by Krell specifically for the Master Reference Subwoofer. An instrument grade accelerator, mounted to one of the drivers, relays information about the driver's position to the Active Motion Control circuit, where it is compared to the musical waveform at the amplifier input stage. Amplifier parameters are then adjusted to ensure that driver motion is faithful to the input signal, and feedback is precisely applied to preserve sonic impact. Krell Active Motion Control allows the Master Reference Subwoofer to achieve complete driver control and deliver true-to-life low frequency sound at the same time.

Enclosure

The enclosure is an essential part of any loudspeaker and is particularly significant in subwoofer design. Low frequency energy causes some of the most stable materials to resonate. Enclosure resonance degrades performance and destroys linearity. Krell engineering has attacked these design challenges with a vigorous application of technology, know-how, and innovative build materials.

The enclosure for the Master Reference Subwoofer is made of 1 in. thick, aircraft-aluminum billet. Each of the two driver baffles is a substantive 2¹/₄ in. thick. The subwoofer assembly is held together by 68 machine screws, size ¹/₄ 20 x 1 in. The precision machine finish is black anodized to a pearl-like luster. Fully assembled, the Master Reference Subwoofer weighs 396 pounds. This subwoofer does not resonate.

Drivers

The high performance demands of the Master Reference Subwoofer require drivers of exceptional capability. Krell has researched every aspect of driver design and construction to produce remarkable transducers. The Master Reference Subwoofer contains two 15 in. drivers, which have been custom crafted to Krell's own rigorous specifications. The drivers are mounted at opposite ends of the case, firing outward, away from one another. They are wired in phase: One driver's motion has the effect of canceling the motion of the other, rendering the enclosure free of operationally induced vibrations.

(Drivers continued)

Two 80 oz. strontium ferrite magnets are affixed to the custom-made, cast magnesium speaker frame. The magnet assembly has been contoured to produce a powerful, focused, magnetic field. A robust, doped (reinforced) paper cone, chosen for its high strength and low weight, is affixed at one end to the speaker frame via a special rubber surround. This surround has a unique geometry that resists cavitating (turning inside out) under high pressures. At the other end of the cone, Krell utilizes a dual-spider arrangement in order to maintain the superior alignment of the concentric mechanical assembly under all performance conditions. An extra-long voice coil controls the drivers even at maximum excursion.

Krell Core Technologies

Krell CAST and Krell Current Mode

These circuit topologies combine to transmit audio waveforms between components in the current rather than the voltage domain. Krell components using Krell Current Mode circuitry and CAST technology perform as if they are part of a single circuit. The resulting speed and bandwidth produce outstanding accuracy and realism in music reproduction.

Krell Proprietary Output Devices

Loudspeaker control is paramount in any audio system. Control is even more critical in subwoofers, in which the audio band is limited to the extreme low frequencies. Krell amplifiers are known for the control they exert on even the most complex loudspeaker loads. Part of this capacity is a result of the proprietary output devices used in all Krell amplifiers. These devices, manufactured for Krell by Motorola, allow for high gain and low output impedance. These circuits enable the amplifier to deliver enormous amounts of current with relative ease and with less distortion.

Totally Balanced Operation

Balanced circuits ensure optimum signal to noise ratios, signal preservation, and accuracy of delivery under every condition; however, the primary benefit of balanced circuitry is loudspeaker control. The Master Reference Subwoofer finesses the low frequency range with totally balanced operation from input to output, employing CAST or XLR inputs. In the output stage of each Master Reference Subwoofer, independent circuit paths amplify the positive and negative output signals to exercise absolute control over loudspeaker systems and force the loudspeakers to generate music and low frequency effects that are precisely representative of the original signal.

The Input Stage. The input stage of each subwoofer accepts signals in two ways: The CAST input accepts signals in the current domain, or the XLR input accepts signals in the voltage domain.

We recommend using CAST inputs, for the best subwoofer performance. When the CAST connection is used, the signal received by each amplifier remains in the current domain and is transmitted unchanged through the Krell Current Mode input and output stages, with absolutely no degradation. Krell CAST and Krell Current Mode are more fully explained on pages 4-5.

When the XLR connection is used, a signal in the voltage domain is delivered to the input stage. Each amplifier converts this signal to the current domain. The signal in the current domain is then sent through the output stage of the subwoofer without alteration.

(Totally Balanced Operation continued)

The Output Stage. In the output stage of a conventional amplifier, loudspeaker control is accomplished by driving the positive speaker terminal only. Each Master Reference Subwoofer uses two Krell Current Mode circuit paths, one to drive the positive and one to drive the negative terminals of the loudspeakers. These signals work together to drive the loudspeakers in a precise “push-pull” dialogue that preserves all the characteristics of the recording.

The Master Reference Subwoofer sets a new standard for ultimate subwoofer power and performance. Its ability to reproduce the impact and tonal quality of low frequency sound is unparalleled, as is the ease with which it can match any system or speaker configuration. The Master Reference Subwoofer represents the culmination of the latest research and development from Krell Industries, Inc. and represents the next exciting innovation in the long line of exceptional audio components from The Leader in Audio Engineering—Krell.



Definition of Terms

Following are the definitions of key terms used in your owner's reference manual.

Configurations

Krell Link A method of configuring multiple Krell preamplifiers, amplifiers, and associated components and synchronizing their stand-by/operational modes. Using Krell Link in/out connections and MIDI cables, the remote capabilities of the linked components are controlled by one component, called the control component. The linked components respond to stand-by and operational mode commands from the control component.

Inputs and Outputs

Balanced A symmetrical input or output circuit that has equal impedance from both input terminals to a common ground reference point. The industry standard for professional and sound recording installations, balanced connections have 6 dB more gain than single-ended connections and allow the use of long interconnect cables.

By-pass Output An output that allows you to integrate additional Master Reference Subwoofers into your system. The input signal of a component connected to the by-pass output passes directly through the subwoofer with no modification.

High-pass Output An output that transmits the signal from the high-pass filter of the programmable electronic crossover to the amplifiers driving the main left and right loudspeakers.

Note

There is no low-pass (subwoofer) connector on the Master Reference Subwoofer. The low-pass output is connected directly to the internal amplifier.

(Definition of Terms continued)

Krell CAST

Current Audio Signal Transmission (CAST) is a proprietary Krell circuit technology for connecting analog components, in which the audio waveform is transmitted between components in the current rather than the voltage domain. The speed and bandwidth that CAST provides yield astounding levels of accuracy and realism. Krell components connected via CAST perform as if they are all part of a single circuit.

Low Frequency Effect (LFE) Input

LFE enriches the low end of a musical score and enhances nearly subsonic content, such as explosions or other special effects. It is part of the Dolby 5.1 specification, with a bandwidth of 5 to 120 Hz.

Single-ended

A two-wire input or output circuit in which the ground connection is made last and broken first. Use care when using single-ended connections. Turn the system off prior to making or breaking single-ended connections. Single-ended connections are not recommended for configurations requiring long cable runs.

Operation

Off

When the power switch on the rear panel is placed in the down position and the red stand-by LED turns off, the component is off.

Operational Mode

When the power button on the front panel is pressed and the blue power LED illuminates, the component is in the operational mode and ready to play music.

Stand-by Mode

A low power consumption status that keeps the audio and regulator circuits at idle. Krell recommends leaving the component in the stand-by mode when it is not playing music.

Technology

Krell Active Motion Control

A proprietary Krell circuit designed to continuously compare the position of a loudspeaker to the analog waveform at the amplifier input. Active Motion Control provides an extra measure of loudspeaker control without the transient distortion associated with simple servo designs.

Krell Current Mode

A proprietary Krell circuit topology in which the audio gain stages operate in the current domain. Krell Current Mode provides speed and bandwidth performance that is not possible with less sophisticated voltage designs.

***Programmable
Electronic Crossover***

A proprietary full-function crossover designed for the Master Reference Subwoofer. The crossover is comprised of two sections: the high-pass filter and the low-pass, or sub, filter. The user fine-tunes each section by selecting the filter type (profile), and adjusting the profile's parameters including slope, frequency, and level, to enhance low frequency reproduction.



SECTION **TWO**

Unpacking and Placement

This section describes the procedures for safely unpacking and placing the Master Reference Subwoofer.

Unpacking

Each Master Reference Subwoofer shipping crate measures 26 in. (66 cm) wide x 32 in. (81.3 cm) high x 35 in. (88.9 cm) deep and contains one Master Reference Subwoofer. The combined weight of the crate and subwoofer is 494 lb. (224.5 kg). Each Master Reference Subwoofer is 18.8 in. (47.8 cm) wide x 20.1 in. (51.1 cm) high x 28.5 in. (72.4 cm) deep, and weighs 396 lb. (180 kg). Krell recommends that you have four people to safely lift the subwoofer to its place in the listening area. Two people are needed to remove the shipping crate top from the base.

The shipping crate is specially constructed to open safely and easily. Inside, the subwoofer rests on the reinforced base of the crate. The crate top is fastened to the base with Phillips head screws. The only tools you need to remove the subwoofer from the crate are a Phillips head screwdriver and a flat blade screwdriver. The steps below provide procedures for unpacking the Master Reference Subwoofer.

To Unpack the Master Reference Subwoofer:

- 1.** Locate the gold screws at the bottom of the shipping crate.
- 2.** Completely remove all screws.
- 3.** Insert the head of a flat blade screwdriver between the crate top and base, just enough to loosen the top.
1 person needed
- 4.** With one person grasping each end of the shipping crate, pull steadily straight up. The crate top will slowly slide up and off. Set aside.
2 people needed

Do not remove the plastic wrapping from the unit at this time.

In the packing crate you will find:

1 Master Reference Subwoofer

In the space underneath the subwoofer, you will find:

1 power cord

1 remote control

2 AAA-size 1.5 volt batteries for the remote control

1 T-10 Torx wrench for the remote control

To Remove the Subwoofer from the Packing Crate:

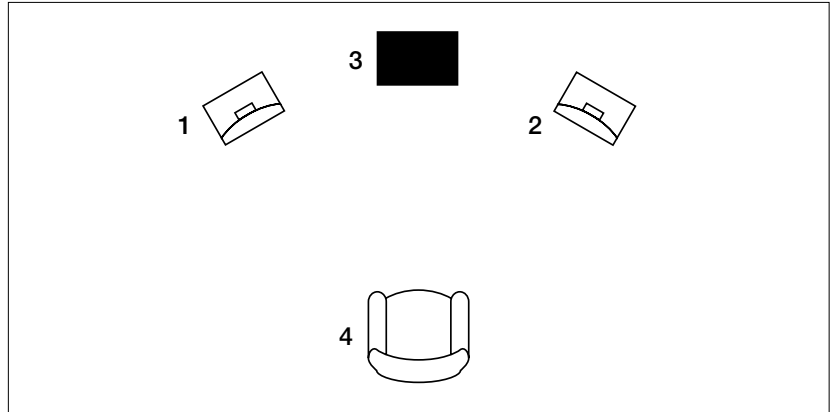
- 1.** Remove all accessories from the packing crate.
1 person needed
- 2.** Lift the subwoofer off the crate base and gently place it on the floor. Set the crate base aside.
4 people needed
- 3.** Move the subwoofer to the desired location.
4 people needed

IMPORTANT

Do not attempt to lift the subwoofer by the grill on the side of the unit.

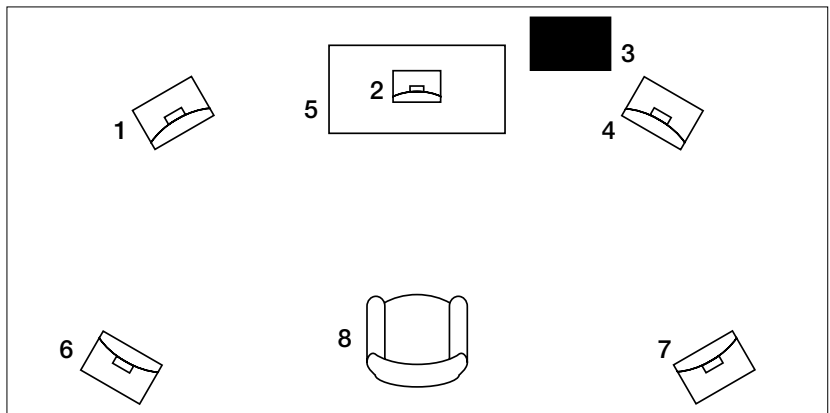
Figure 1 Master Reference Subwoofer Placement Options

Scenario 1: Stereo



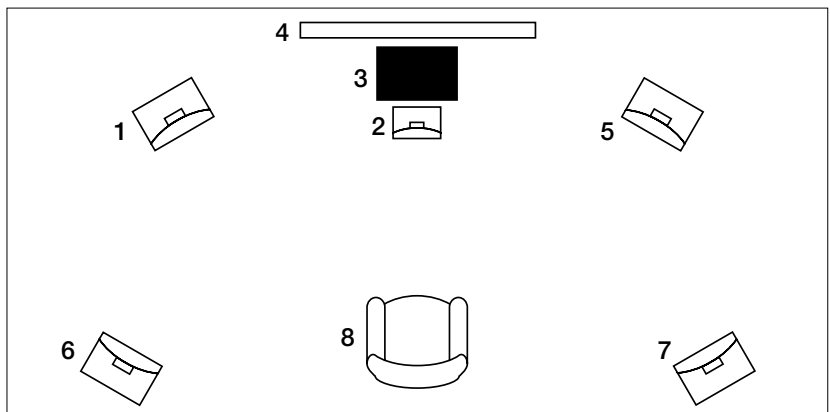
- 1 Left Loudspeaker
- 2 Right Loudspeaker
- 3 Master Reference Subwoofer**
- 4 Optimum Listening Position

Scenario 2: Home Theater, Rear Projection



- 1 Left Front Loudspeaker
- 2 Center Speaker
- 3 Master Reference Subwoofer**
- 4 Right Front Loudspeaker
- 5 Rear Projection TV
- 6 Left Rear Loudspeaker
- 7 Right Rear Loudspeaker
- 8 Optimum Listening Position

Scenario 3: Home Theater, Front Projection



- 1 Left Front Loudspeaker
- 2 Center Speaker
- 3 Master Reference Subwoofer**
- 4 Screen
- 5 Right Front Loudspeaker
- 6 Left Rear Loudspeaker
- 7 Right Rear Loudspeaker
- 8 Optimum Listening Position

Placement

Before you install the Master Reference Subwoofer, review the following guidelines to choose the location for the subwoofer. This facilitates a clean, trouble-free installation.

Make sure the Master Reference Subwoofer, in addition to other items (amplifiers, other system components, furniture) in the listening room, does not exceed the listening room's maximum floor load.

Each Master Reference Subwoofer requires at least two inches (5 cm) of clearance on each side and in front, and at least two inches (5 cm) of clearance above and to the rear of the subwoofer for adequate ventilation.

IMPORTANT

For optimum sound quality, place your subwoofer at least one foot away from any wall.

Your Master Reference Subwoofer can operate from a number of positions in your listening room. The range of control provided by the programmable electronic crossover, plus the subwoofer size and construction, help ensure excellent performance from nearly any location. **Figure 1**, on page 16, illustrates three possible placement options, which are described below.

Option 1: Stereo. Place the Master Reference Subwoofer midway between the left and right loudspeakers.

Option 2: Home Theater, Rear Projection. Place the Master Reference Subwoofer between the center and left front or between the center and right front loudspeakers, preferably one foot from any wall.

Option 3: Home Theater, Front Projection. Place the Master Reference Subwoofer midway between the left and right front loudspeakers and between the center speaker and the screen.

If you employ Krell CAST technology, you can use CAST interconnect cables of any length. Try to keep cable length to a minimum if you select single-ended operation.

AC Power Guidelines

The Master Reference Subwoofer should be operated from a dedicated AC power line rated at a minimum of 20 amps.

Please contact your authorized Krell dealer, distributor, or Krell before using any devices to alter or stabilize the AC power for the Master Reference Subwoofer.

SECTION **THREE**

Features

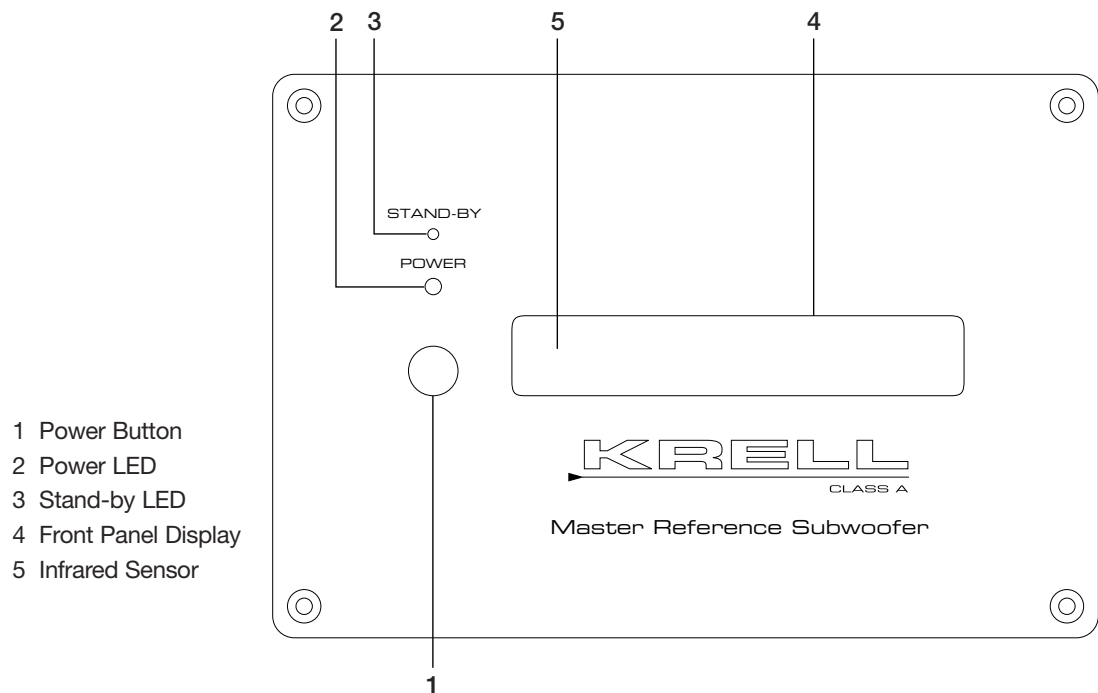
This section provides illustrations of the Master Reference Subwoofer front panel, back panel, and remote control, and descriptions of front panel, back panel, and remote control features.

Front Panel Description

See Figure 2.

The Master Reference Subwoofer front panel provides power on and subwoofer status displays. Front panel features and their descriptions follow.

Figure 2 Master Reference Subwoofer Front Panel



1 Power Button

Use this button to switch the Master Reference Subwoofer from the stand-by to the operational mode.

2 Power LED

The blue power LED illuminates when the Master Reference Subwoofer is in the operational mode and flashes when any remote control key is pressed.

3 Stand-by LED

The red stand-by LED illuminates when the back panel power switch is in the up position and the Master Reference Subwoofer is in the stand-by mode.

4 Front Panel Display

The front panel display provides operating status messages, including power, crossover filter selection and status, phase, and menu options and settings.

5 Infrared Sensor

The infrared sensor, located inside the front panel display, receives commands from the Master Reference Subwoofer remote control. For proper remote control operation, make sure the infrared sensor is not covered or obstructed.

Figure 3 Master Reference Subwoofer Back Panel (Power)

Figure 3

Power

- 6 Power Switch
- 7 AC Input Specification
- 8 IEC Power Connector

Figure 4

Back Panel Remote Connections

- 9 Krell Link In and Out
- 10 12 VDC In and Out
- 11 12 VDC LFE In
- 12 RC-5 In
- 13 RS-232

Inputs

- 14 Left and Right CAST Inputs
- 15 Left and Right Balanced Inputs
- 16 Left and Right Single-ended Inputs
- 17 LFE CAST Input
- 18 LFE Balanced Input
- 19 LFE Single-ended Input

Outputs

- 20 Left and Right CAST High-pass Outputs
- 21 Left and Right Balanced High-pass Outputs
- 22 Left and Right Single-ended High-pass Outputs
- 23 Left and Right CAST By-pass Outputs
- 24 Left and Right Balanced By-pass Outputs
- 25 Left and Right Single-ended By-pass Outputs

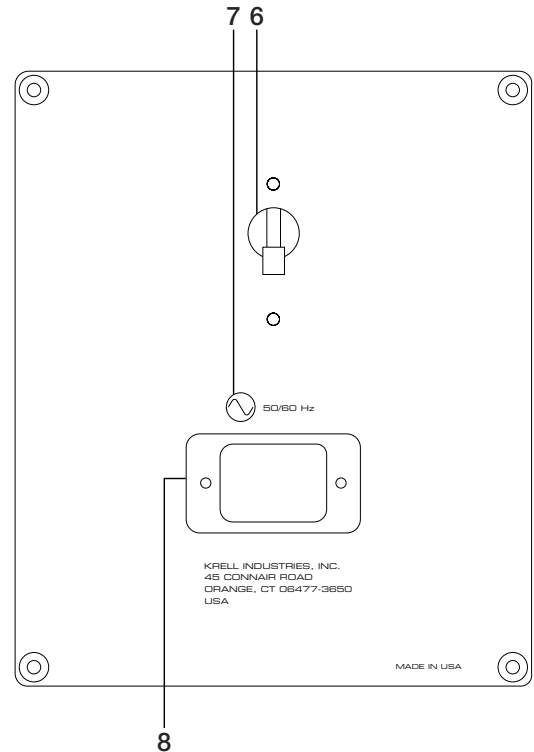
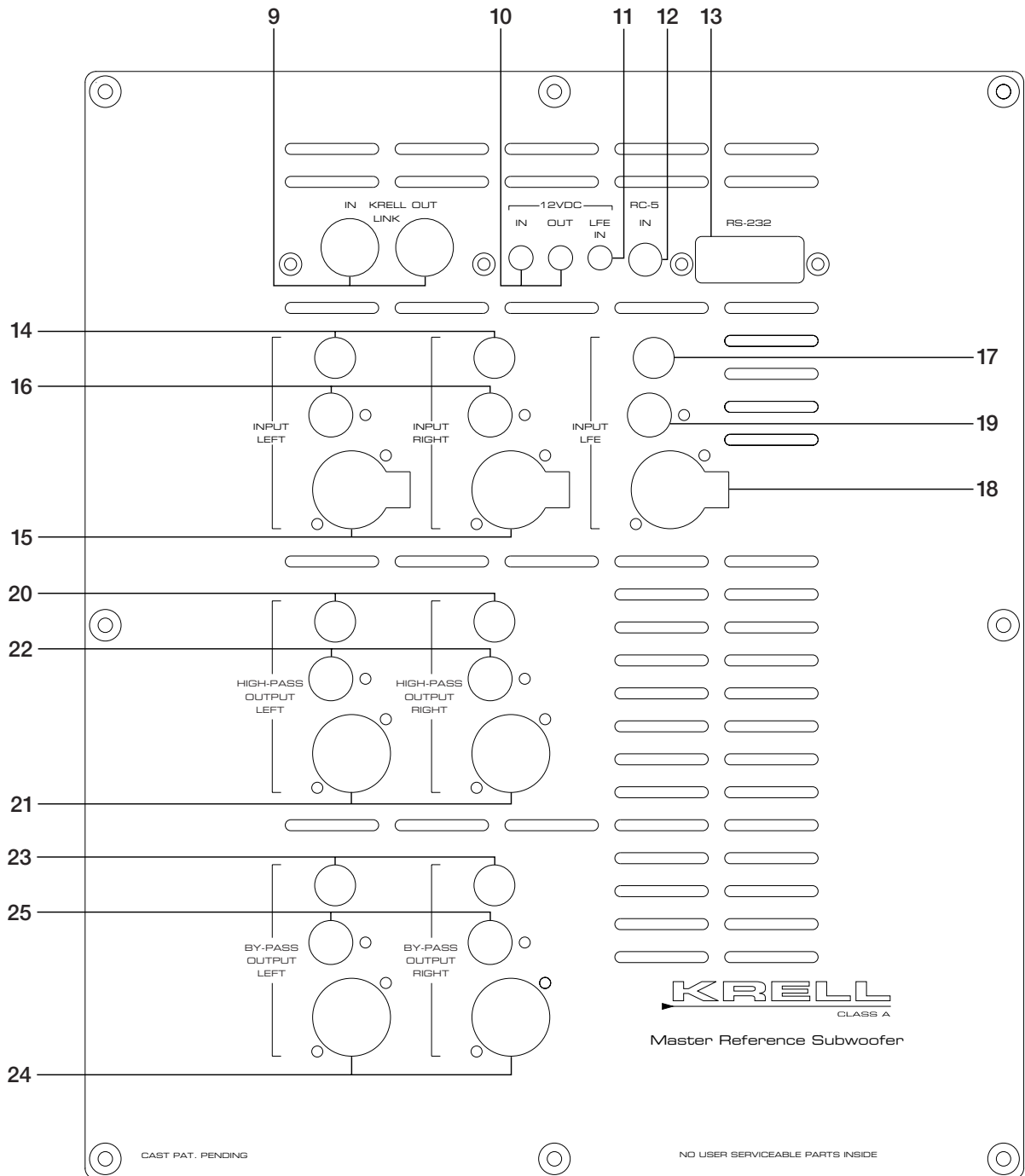


Figure 4 Master Reference Subwoofer Back Panel (Inputs and Outputs)



Back Panel Description

See Figures 3 and 4.

The Master Reference Subwoofer back panel provides input and output connections, remote connections, and power. Back panel features and their descriptions follow.

Power

6 Power Switch

Use this switch to power the Master Reference Subwoofer from off to the stand-by mode.

7 AC Input Specification

The Master Reference Subwoofer is designed to be used with 50/60 Hz power lines only.

8 IEC Power Connector

The Master Reference Subwoofer is equipped with a standard female IEC power connector, for use with the provided AC power cord.

Back Panel Remote Connections

9 Krell Link In and Out

The Master Reference Subwoofer is equipped with a Krell Link communications input and output data port. Krell Link allows synchronized remote power on and off of other components with Krell Link, such as Master Reference Amplifiers or Full Power Balanced Stereo or Monaural Amplifiers. See **Krell Link**, on page 44, for more information.

10 12 VDC In and Out

The Master Reference Subwoofer is equipped with an input that receives and an output that sends 12 VDC power on/off (12 V trigger) signals from and to other Krell components and other devices that incorporate a 12 V trigger. See **12 VDC (12 V Trigger)**, on page 46, for more information. Also consult the owner's reference manual of each component used in a custom installation to take full advantage of the remote capabilities of the Master Reference Subwoofer.

11 12 VDC LFE In

The Master Reference Subwoofer is equipped with a 12 VDC (12 V trigger) LFE input. This input allows you to activate low frequency effect using the 12 V trigger setup of another preamplifier or preamp/processor. Both the Krell Home Theater Standard Surround preamp/processor and the Krell Current Tunnel CAST preamplifier have 12 V trigger setups.

12 RC-5 In

The Master Reference Subwoofer is equipped with an RC-5 input that makes custom installation easy and secure by accepting baseband RC-5 input commands from hardwired remote controllers. The RC-5 input can be used, for example, when the subwoofer's IR sensor (5) is obscured from direct view.

13 RS-232

The Master Reference Subwoofer is equipped with an RS-232 port, which receives messages from a computer-based control system, providing integrated control of all subwoofer functions. See **RS-232**, on page 46, and the **RS-232 Port: Sending Commands and Interpreting Data** developer's reference for more information.

Notes

The 12 VDC output current is limited to 30 ma.

If the subwoofer is powered on via the 12 V trigger and the signal is active, the front panel power button (1) or RS-232 cannot power it off. You must use the 12 V trigger.

Inputs

14 Left and Right CAST Inputs

The Master Reference Subwoofer is equipped with one pair of left and right CAST inputs via 4-pin bayonet connectors for use with Krell CAST-equipped preamplifiers or surround preamp/processors.

15 Left and Right Balanced Inputs

The Master Reference Subwoofer is equipped with one pair of left and right balanced inputs via XLR connectors.

16 Left and Right Single-ended Inputs

The Master Reference Subwoofer is equipped with one pair of left and right single-ended inputs via RCA connectors.

17 LFE CAST Input

The Master Reference Subwoofer is equipped with a low frequency effect (LFE) CAST input. This input is connected to a CAST-equipped surround preamp/processor, for use with Dolby 5.1 and DTS encoded software.

18 LFE Balanced Input

The Master Reference Subwoofer is equipped with a low frequency effect (LFE) balanced input. This input is connected to a preamp/processor, for use with Dolby 5.1 and DTS encoded software.

(Inputs continued)

19 LFE Single-ended Input

The Master Reference Subwoofer is equipped with a low frequency effect (LFE) single-ended input. This input is connected to a surround preamp/processor, for use with Dolby 5.1 and DTS encoded software.

Outputs

20 Left and Right CAST High-pass Outputs

The Master Reference Subwoofer is equipped with left and right CAST high-pass outputs, for connection to the CAST inputs of a Full Power Balanced Amplifier or Master Reference Amplifier.

21 Left and Right Balanced High-pass Outputs

The Master Reference Subwoofer is equipped with left and right balanced high-pass outputs, for connection to the balanced inputs of an amplifier.

22 Left and Right Single-ended High-pass Outputs

The Master Reference Subwoofer is equipped with left and right single-ended high-pass outputs, for connection to the single-ended inputs of an amplifier.

23 Left and Right CAST By-pass Outputs

The Master Reference Subwoofer is equipped with left and right CAST by-pass outputs, for connection to the CAST inputs of another Master Reference Subwoofer.

24 Left and Right Balanced By-pass Outputs

The Master Reference Subwoofer is equipped with left and right balanced by-pass outputs, for connection to the balanced inputs of another Master Reference Subwoofer.

25 Left and Right Single-ended By-pass Outputs

The Master Reference Subwoofer is equipped with left and right single-ended by-pass outputs, for connection to the single-ended inputs of another Master Reference Subwoofer.

Note

You can connect to any input (CAST, balanced, or single-ended) and output at any high-pass output. All high-pass outputs are active at once. For example, a signal from a source connected to the Master Reference Subwoofer through a CAST input can be output as CAST, balanced, and single-ended.

While you can connect at any input, you can output only at one by-pass output. By-pass outputs are active only one-at-a-time. For example, the CAST input is available only at the CAST by-pass output. The balanced input is available only at the balanced by-pass output. The single-ended input is available only at the single-ended by-pass output.

Figure 5 Master Reference Subwoofer Remote Control

Power

26 Power Key

Operation Keys

27 CAST Key

28 Phase Key

29 Preset Key

30 Thtr (Theater) Key

31 Save Key

32 Unit Key

33 All Key

34 Mute Key

Filter Selection Keys

35 Section Sub Key

36 Section High Key

Menu Keys

37 Menu Key

38 Enter Key

Filter Parameter Keys

39 Type Key

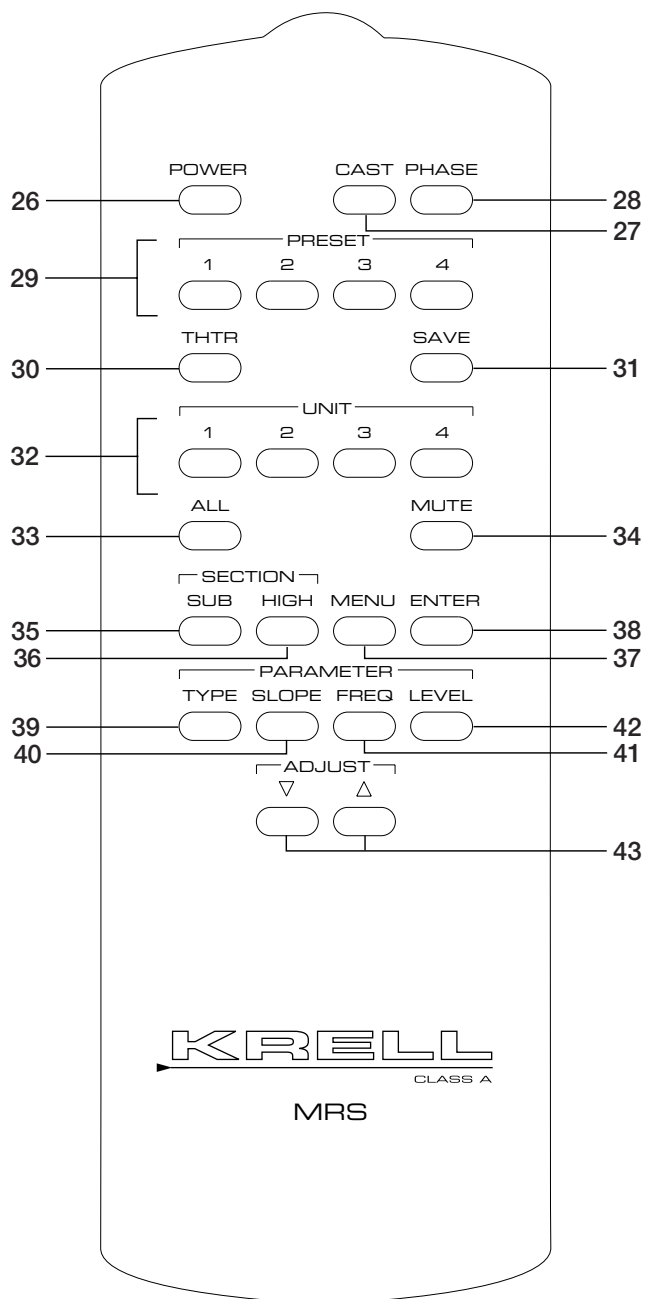
40 Slope Key

41 Frequency Key

42 Level Key

Level Adjust Keys

43 Adjust Up and Down Keys



Remote Control Description

Battery Installation and Removal

The Master Reference Subwoofer control uses two AAA-size 1.5 Volt batteries. Batteries are included with the shipment. To install the batteries:

- 1.** Remove the backplate, using the supplied T-10 Torx wrench.
- 2.** Install the batteries, following the battery position diagram on the plastic battery receptacle.
- 3.** Replace and secure the backplate.

The remote control is ready for operation.

Replace the batteries when the remote control functions intermittently. Remove the batteries if the remote control is not used for a long period of time. Battery leakage can damage the remote control.

Remote Control Functions

See Figure 5.

The Master Reference Subwoofer remote control provides power, subwoofer functions, and menu and programming options, as well as stand-by and operational mode commands for components connected through Krell Link. Remote control features and their descriptions follow.

Power

26 Power Key

Use this key to switch the Master Reference Subwoofer from the stand-by to the operational mode.

Operation Keys

27 CAST Key

Use this key to select CAST operation for an available input. The front panel display (4) will indicate when CAST is selected. See **Step II. Connecting the Master Reference Subwoofer to Your System**, on page 32, for information on CAST input options.

Note

The Master Reference Subwoofer will not switch to CAST unless a CAST input is connected.

28 Phase Key

Use this key to invert the phase of the low-pass filter output.

29 Preset Keys

Use these keys to store and select customized menu settings. See **Step VI. Saving Your Settings to Presets**, on page 40, for more information.

30 Thtr (Theater) Key

Use this key to store and select customized menu settings. Krell recommends reserving this preset for the stereo/LFE combination or LFE only connection options. See **Step VI. Saving Your Settings to Presets**, on page 40, for more information.

31 Save Key

Use this key to save menu settings. The front panel display (4) shows SAVE and the selected preset number when this feature is activated.

(Operation Keys continued)

32 Unit Keys

Use these keys to assign an ID to each component when multiple subwoofers are installed in a configuration. *For instructions on assigning an ID, see **Optional Configurations**, on page 48, for more information.*

33 All Key

Use this key to control all subwoofers at once, for example, to mute, power on, or set preset configurations for all subwoofers in a configuration.

34 Mute Key

Use this key to mute the low-pass (sub) and the high-pass filter output. To unmute, press the mute key again. *To customize the mute key operation, see **Optional Configurations**, on page 48.*

Filter Selection Keys

35 Section Sub Key

Use this key to access the low-pass (sub) filter parameters for your system. The filter's type, frequency, slope, and level can be adjusted. *See **Steps III and IV**, on pages 36-40, for more information.*

36 Section High Key

Use this key to access the high-pass filter parameters for your system. The filter's type, frequency, slope, and level can be adjusted. *See **Steps III and IV**, on pages 36-40, for more information.*

Menu Keys

37 Menu Key

Use this key to activate the menu system, to customize subwoofer settings. The front panel display (4) shows MENU when the menu key is pressed. Use the adjust up and down keys (43) to scroll through menu selections.

38 Enter Key

Use this key to set a menu selection or to access a submenu selection.

Filter Parameter Keys

39 Type Key

Use this key to select the filter profile desired. The front panel display (4) shows the current selection. See **Step III. Configure the Programmable Electronic Crossover**, on page 36, for filter options and instructions.

40 Slope Key

Use this key to adjust the slope of the high-pass or low-pass filter. The front panel display (4) shows the selected setting. See **Step III. Configure the Programmable Electronic Crossover**, on page 36, for slope adjustment instructions.

41 Freq(ueency) Key

Use this key to select the cutoff frequency for the high-pass or low-pass filter. The front panel display (4) shows the selected setting. See **Step III. Configure the Programmable Electronic Crossover**, on page 36, to select the desired frequency setting.

42 Level Key

Use this key to adjust the level of the high-pass or low-pass filter. The front panel display (4) shows the selected setting. See **Step IV. Match the High-pass and Low-pass Filter Levels**, on page 38, for more information.

Level Adjust Keys

43 Adjust Up and Down Keys

Use these keys to adjust volume levels and to scroll through filter and menu selections.



SECTION **FOUR**

Connections and Configurations

See Figures 3 and 4.

Overview

This page outlines the connections (Steps I and II) and configurations (Steps III through VI) for the Master Reference Subwoofer. These instructions let you set up your subwoofer for optimum performance. Detailed instructions begin on page 31.

Krell recommends that you configure your Master Reference Subwoofer in the following order.

Step I. Choose the Connections

This step discusses the CAST, balanced, and single-ended connections that are available on the Master Reference Subwoofer, explains switching between CAST and balanced inputs, and lists factory defaults.

Step II. Connecting the Master Reference Subwoofer to Your System

This step explains how to connect CAST, balanced, and single-ended inputs and outputs, to integrate the subwoofer into your system. It also explains the three connection options available: stereo, LFE, and stereo/LFE.

Step III. Configure the Programmable Electronic Crossover

This step explains how to configure the subwoofer's low-pass and high-pass filters, by selecting the appropriate filter profile (Butterworth, Bessel, or Linkwitz-Riley), and adjusting the slope, frequency, and level parameters for each filter profile.

Step IV. Match the High-pass and Low-pass Filter Levels

This step explains how to match the high-pass and low-pass filter levels using the Master Reference Subwoofer's built-in noise generator.

Step V. Select the Phase

This step explains how to select normal or inverted phase, to complete the configuration and ensure optimum music quality.

Step VI. Saving Your Settings to Presets

This step explains how to save configuration settings to presets and how to recall presets.

Connections and Configurations

The remote control is the main input device for the Master Reference Subwoofer. All initial setup and subsequent system configuration adjustments must be made through the remote control or via the RS-232 port.

For maximum performance, the Master Reference Subwoofer must be connected to other components in the system via the appropriate CAST, balanced, or single-ended inputs and outputs; connected for stereo and low frequency effect; and the low-pass and high-pass filters configured to fit your system.

Step I. Choose the Connections

This section discusses the CAST, balanced, and single-ended connections that are available on the Master Reference Subwoofer, explains switching between CAST and balanced inputs, and lists factory defaults.

CAST and Balanced Connections

Krell recommends using its proprietary Krell CAST system for unparalleled sonic performance for connections between the Master Reference Subwoofer and other CAST-equipped components. The Master Reference Subwoofer also offers balanced and single-ended operation.

IMPORTANT

Connecting non-CAST components to CAST inputs or outputs can damage your equipment and void your warranty.

Do not attempt to change CAST cable terminations or CAST inputs or outputs to RCA or XLR connectors. It is electrically impossible to convert CAST input or output connections for balanced or single-ended voltage operation.

*Please read the **Warranty**, on pages 50-51, to understand the warranty limitations of the Master Reference Subwoofer.*

Switching Between CAST and Balanced Inputs

The Master Reference Subwoofer offers a number of user-controlled options for choosing inputs and for switching from one input to another, using the remote control in conjunction with the menu option. See **B. To Activate CAST Inputs**, on page 34 for more information.

If you activate CAST or VOLTAGE in the menu, and have only one CAST or balanced source connected, the subwoofer automatically chooses the selected source and indicates the selection as either CAST or VOLTAGE in the front panel display (4).

If you activate CAST or VOLTAGE in the menu, and have a source connected to a CAST input (14) as well as a source connected to a balanced input (15), the subwoofer defaults to the CAST input.

Factory Defaults

The Master Reference Subwoofer is shipped with the following default settings.

Low- and High-pass Filters

| | |
|-----------|-------------|
| Filter | BUTTERWORTH |
| Frequency | 100 HZ |
| Slope | 6 DB/OCT. |
| Level | 0 |

Default Menu Functions

| | |
|----------|-----------|
| Mute | ALL |
| LFE | OFF |
| Unit ID | UNIT 0 |
| CAST | CAST NONE |
| LED | LED ON |
| AC Mains | AC OFF |

Step II. Connecting the Master Reference Subwoofer to Your System

This section explains how to connect CAST, balanced, and single-ended inputs and outputs to integrate the subwoofer into your system. It also explains the three connection options available: stereo, LFE, and stereo/LFE.

A. To Connect the Subwoofer

1. Make sure that all power sources and components are off before connecting inputs and outputs.
2. Neatly organize wiring between the Master Reference Subwoofer and all system components. Separate AC wires from audio cables to prevent hum or other unwanted noise from being introduced into the system.

-
3. Connect the cables from the left and right Krell CAST 4-pin inputs (14) on the back panel to the left and right main preamplifier or processor outputs. For balanced or single-ended operation, connect the interconnect cables from either the left and right balanced (15) or the single-ended inputs (16) on the Master Reference Subwoofer back panel to your left and right preamplifier or processor outputs.
 4. Connect the cable from the Krell CAST 4-pin LFE input (17) on the back panel to the sub(woofer) output of your processor. For balanced or single-ended operation, connect the interconnect cables from either the balanced LFE input (18) or the single-ended LFE input (19) on the subwoofer back panel to the sub(woofer) output of your processor.
 5. Connect the cables from the left and right Krell CAST 4-pin high-pass outputs (20) on the back panel to the left and right CAST-equipped inputs of your power amplifier. For balanced or single-ended operation, connect the interconnect cables from either the left and right balanced high-pass outputs (21) or the left and right single-ended high-pass outputs (22) on the back panel to the left and right balanced or single-ended inputs of your power amplifier.

Notes

The Master Reference Subwoofer allows the connection of two independent preamplifier/source components to the CAST and either the balanced or the single-ended inputs. For example, you may want to connect two discrete front-end systems: Use the CAST input as the connection to a dedicated two-channel system in which the KPS 25sc Krell Playback System is the CAST source. Use the balanced input as the connection to a home theater system.

You cannot connect the balanced input and the single-ended input at the same time.

6. If you have more than one subwoofer, connect the cables from the left and right Krell CAST 4-pin by-pass outputs (23) on the back panel to the left and right CAST-equipped inputs on another subwoofer. For balanced or single-ended operation, connect the interconnect cables from either the left and right balanced by-pass outputs (24) or the left and right single-ended by-pass outputs (25) on the back panel to the left and right balanced or single-ended inputs of another subwoofer.

See **Unit ID Menu**, on page 48, for information on assigning ID numbers for controlling multiple subwoofers in a system.

(Step II. Connecting the Master Reference Subwoofer to Your System continued)

7. Plug the AC power cord into the IEC connector on the subwoofer back panel. Plug the other end into the AC outlet.

IMPORTANT

The CAST and LFE inputs must be enabled through the menu to be operational. To activate the low frequency effect (LFE), see **Choosing Stereo, LFE, or Stereo/LFE**, below.

B. To Activate CAST Inputs

Use the menu to select which CAST inputs to enable.

1. Press the menu key (37).
2. Use the adjust keys (43) to select the CAST menu. The front panel display (4) shows CAST.
3. Press the enter key (38). The front panel display shows CAST MAIN.
4. Use the adjust keys to select the preferred setting. Options are:

| | |
|-----------|----------------------------------|
| CAST MAIN | Enables CAST for the main input. |
| CAST LFE | Enables CAST for the LFE input. |
| CASTNONE | No CAST inputs are enabled. |
| CASTALL | Enables all CAST inputs. |

5. Press the enter key to set the selection and return to the main menu.
6. Press the menu key to exit the menu mode.

Note

All CAST inputs specified in the selected menu must be present before the Master Reference Subwoofer will switch to CAST. For example, if the system is set for CASTALL but there are no connections to the LFE input, no CAST switching will occur.

C. Choosing Stereo, LFE, or Stereo/LFE

Your Master Reference Subwoofer can operate in stereo mode, low frequency effect (LFE) mode, or stereo/LFE mode. For optimum subwoofer performance, Krell recommends using the stereo/LFE combination.

The connections and configurations described above in **Connecting the Master Reference Subwoofer to Your System** and **Configuring the Programmable Electronic Crossover** connect and configure your subwoofer to operate in stereo mode. To add the LFE enhancement, follow these steps:

1. Make sure the cable from the sub output on your processor is connected to the LFE input (17, 18, or 19) on the Master Reference Subwoofer.
2. Activate the LFE input, using the menu function.
3. Press the menu key (37).
4. Use the adjust keys (43) to select the LFE menu. The front panel display (4) shows LFE ON.
5. Use the adjust keys to select the preferred LFE setting. Options are:

| | |
|----------|--|
| LFE ON | The LFE input is enabled. If you choose this setting, Krell recommends saving it using the Theater preset (30). |
| LFE OFF | The LFE input is disabled. |
| LFE AUTO | The LFE input is controlled by the LFE 12 VDC (12 V trigger) input. If you choose this option, Krell recommends saving it as part of the listening room setup on your surround processor. You must connect a 12 V trigger cable. |
6. Press the enter key to set the selection and return to the main menu.
7. Press the menu key to exit the menu mode.

Notes

To confirm that the Master Reference Subwoofer output is operational, activate the noise generator for the sub output of your surround sound preamplifier/processor.

Krell recommends configuring one of the triggers on the Home Theater Standard to turn off the LFE when the surround processor is in stereo mode, to avoid generating unwanted noise.

D. When to Use LFE Only Option

Use the LFE only option, without stereo, if you wish to bypass the programmable electronic crossover.

Step III. Configure the Programmable Electronic Crossover

This section explains how to configure the subwoofer's two sections, the low-pass (sub) and high-pass filters, by selecting the appropriate filter profile (Butterworth, Bessel, or Linkwitz-Riley), and adjusting the slope, frequency, and level parameters for each filter profile.

Configuring the programmable electronic crossover is required for stereo and stereo/LFE operation. Krell recommends performing the configuration in the order indicated below.

A. Select the Low-pass Filter

Press the section sub key (35) on the remote control to access the low-pass filter parameters. The front panel display (4) shows SUB ADJ.

B. Select the Low-pass Filter Profile

Press the type key (39) to access the filter profile. Press the adjust keys (43) to select the profile you want. The Master Reference Subwoofer has three low-pass filter profiles available: Bessel, Butterworth and Linkwitz-Riley.

C. Adjust the Low-pass Filter Parameters

IMPORTANT

Adjust the parameters in this order: slope, frequency, and level.

1. Low-pass Filter Slope

- a.** Press the slope key (40).
- b.** Use the adjust keys (43) to adjust the slope (in 6 dB increments). The low-pass filter has a range from 6 dB to 48 dB.

2. Low-pass Filter Frequency

- a.** Press the frequency key (41).
- b.** Use the adjust keys (43) to select the desired frequency setting (in 10 Hz increments). The frequency selectable ranges from 30 to 100 Hz.

3. Low-pass Filter Level

- a.** Press the level key (42).
- b.** Use the adjust keys (43) to select the desired level setting (in 1 dB increments). Level range is ± 6 dB.

Note

See **Step IV. Match the High-pass and Low-pass Filter Levels**, on page 38, for more information on level matching.

D. Select the High-pass Filter

Press the section high key (36) on the remote control to select the high-pass filter. The front panel display (4) shows HIGH ADJ.

E. Select the High-pass Filter Profile

Press the type key (39) to access the filter profile. Press the adjust keys (43) to select the profile you want. The Master Reference Subwoofer has three filters profiles available: Bessel, Butterworth and Linkwitz-Riley.

F. Adjust the High-pass Filter Parameters

IMPORTANT

Adjust the parameters in this order: slope, frequency, and level.

1. High-pass Filter Slope

- a.** Press the slope key (40).
- b.** Use the adjust keys (43) to adjust the slope (in 6 dB increments). The high-pass filter has a range from 6 dB to 24 dB.

2. High-pass Filter Frequency

- a.** Press the frequency key (41).
- b.** Use the adjust keys (43) to select the desired frequency setting (in 10 Hz increments). The frequency selectable ranges from 30 Hz to 100 Hz.

3. High-pass Filter Level

- a.** Press the level key (42).
- b.** Use the adjust keys (43) to select the desired level setting (in 1 dB increments).

Step IV. Match the High-pass and Low-pass Filter Levels

This section explains how, once the programmable electronic crossover has been configured, to match the high-pass and low-pass filter levels using the Master Reference Subwoofer's built-in noise generator.

Step A describes muting the low-pass filter while adjusting the high-pass filter level. Step B describes muting the high-pass filter while adjusting the low-pass filter level. You can choose to match the high-pass to the low-pass or vice versa. Either is correct. Make sure that the amplifier connected to the high-pass outputs is on and in the operational mode.

A. Adjust the High-pass Filter

- 1.** Press the menu key (37). The front panel display (4) shows MENU.
- 2.** Use the up adjust key (43) to select NOISEGEN.
- 3.** Press the enter key (38). The display shows NOISEOFF.
- 4.** Press the up adjust key to select NOISE ON.
- 5.** Press the enter key. After a two second delay, you will hear noise generator output through both the Master Reference Subwoofer and your front speakers.
- 6.** Use the up adjust key to select MUTE. The front panel display shows MUTE.
- 7.** Press the enter key. The front panel display shows the current setting for mute.
- 8.** Press the up adjust key to select LPF ONLY.
- 9.** Press the enter key.
- 10.** Press the menu key to exit the menu mode.
- 11.** Press the mute key (34) on the remote control to mute the low-pass filter. You hear noise only from the high-pass filter.
- 12.** Press the section high key (36).
- 13.** Press the level key (42).
- 14.** Use the adjust keys to raise or lower the high-pass filter level so that it matches that of the low-pass filter (sub).
- 15.** Make sure you unmute the low-pass filter, after you have adjusted the high-pass filter.

Notes

You can switch the low-pass filter on and off using the mute key, to help compare the filter levels. Every time you adjust the level, the front panel display shows the numeric value of the level. After three seconds of inactivity, the screen becomes blank. You have adjusted the high-pass filter.

You can also use a sound pressure level meter for this process; however, it is not required.

B. Adjust the Low-pass Filter

1. Press the menu key (37).
2. Press the up adjust key (43) to select MUTE.
3. Press the enter key (38). The front panel display (4) shows the current settings for mute.
4. Press the up adjust key to select HPF ONLY.
5. Press the enter key.
6. Press the menu key to exit the menu mode.
7. Press the mute key (34) to mute the high-pass filter. You hear noise only from the Master Reference Subwoofer.
8. Press the section sub key (35).
9. Press the parameter level key (42).
10. Use the adjust keys to raise or lower the low-pass filter level so that it matches that of the high-pass filter.
11. Make sure you unmute the high-pass filter, after you have adjusted the low-pass filter.

Notes

You can switch the high-pass filter on and off using the mute key, to help compare the filter levels. Every time you adjust the level, the front panel display shows the numeric value of the level. After three seconds of inactivity, the screen becomes blank. You have adjusted the low-pass filter.

You can use this process to adjust your system level for individual CDs or DVDs.

When the noise generator is on, all other inputs are turned off and the by-pass output is muted to keep loud noise from going to the next device.

C. To End Noise Generation

1. Press the menu key (37) to select the main menu.
2. Press the up adjust key (43) to select NOISEGEN.
3. Press the enter key (38), then press the up adjust key to select NOISE OFF.
4. Press the enter key to end noise generation and return to the main menu.
5. Press the menu key to exit the menu mode.

Step V. Select the Phase

This section explains how to select normal or inverted phase, to complete the configuration and ensure optimum music quality.

1. With the subwoofer in the stand-by mode, press the power button (1) or power key (26).
2. Begin playing a music or video selection.
3. Press the phase key (28) to switch between normal and inverted phases.
4. Listen for when the sound is clearer. You do not have to press the enter key to set the phase.

Your subwoofer is ready to play music.

Step VI. Saving Your Settings to Presets

You can save the settings selected in Steps I – V in the subwoofer memory, using one of the five presets (29, 30) on the Master Reference Subwoofer Remote Control.

Notes

Krell recommends using preset Thtr (30), the theater key, to save your stereo/LFE configuration settings. Use presets 1 through 4 to save other desired settings.

Settings stored in preset 1 become the default when the subwoofer is turned off and returned to the operational mode.

To save a setting configuration to a preset:

1. Press the save key (31).
2. Press the preset number to which the settings will be assigned. The front panel display (4) shows SAVING then SAVED.

Note

If you press save then decide you do not wish to save, press the save key again before pressing the preset key.

Recalling Presets

1. Press the preset key (29, 30).
2. The preset number appears in the front panel display (4).



SECTION **FIVE**

Operation

This section explains how to manually power on your system and subwoofer for operation and explains the importance of powering on in the appropriate order.

After the subwoofer is connected with your system, you can power on the subwoofer for operation. The order in which you power on your system is critical. To avoid the possibility of system-damaging transients, always turn on sources first, followed by preamplifiers/processors, the amplifiers, and finally the Master Reference Subwoofer.

The Steps for Subwoofer Operation follow:

1. Power on your source components (for example, CD, DVD).
2. Power on the preamplifier and surround processor.
3. Power on your amplifiers.
4. Move the power switch (6) on the back panel of the Master Reference Subwoofer to the up position. You will hear a series of clicks. The red stand-by LED (3) on the front panel illuminates.
5. Press the power button (1) on the front panel or the power key (26) on the remote control to switch between the stand-by and the operational mode. The blue power LED (2) illuminates. The subwoofer is now ready to play music.
6. To return to the stand-by mode, press the power button again. The red stand-by LED illuminates.

Krell recommends leaving the Master Reference Subwoofers in the stand-by mode between listening sessions.

Note

See **Krell Link**, on pages 44-45, for information on operating the Master Reference Subwoofer using Krell Link.

If You Wish to Turn Your System Off:

Turn your system off if it will not be used for a long period of time. It is critical that you turn off your system in the following order.

1. Press the power button (1) to return the Master Reference Subwoofer to the stand-by mode. The red stand-by LED illuminates (2).
2. Move the power switch (6) on the back panel to the down (off) position.
3. Turn off the amplifiers.
4. Turn off the preamplifier(s) and surround processor.
5. Turn off the source components.

System Protection

The Master Reference Subwoofer incorporates a complement of sophisticated protection circuits to safeguard your system. This circuitry constantly evaluates the operation of the Master Reference Subwoofer and provides protection against potentially damaging DC input or output. Regulator operation is also continuously monitored to ensure constant voltage to the output stage. These protective systems are designed to prevent damage to the Master Reference Subwoofer or loudspeakers caused by other defective components, faulty wiring, system mishandling, or subwoofer failure.

Subwoofer Care

Because the Master Reference Subwoofer is capable of enormous power output, it is important to exercise care during system operation.

Avoid any action that can generate large transient signals. Always mute the preamplifier output before switching between active sources or cueing a source component.

Do not change inputs to the subwoofer while the subwoofer is on.

Use care when listening at high volume levels. Always lower the volume level at the first sound of loudspeaker distress.



SECTION **SIX**

Optional Connections

This section describes three optional connections for the Master Reference Subwoofer. Krell Link connections (9) allow you to synchronize subwoofer operation with other Krell components that have Krell Link in and out connectors. The RS-232 port (13) allows you to connect the subwoofer to a computer-based control system. The 12 VDC (12 V trigger) input and output (10) allow you to integrate the subwoofer into a system with other components that use a 12 Volt trigger.

Krell Link

Krell Link in/out connectors on the back panel allow you to integrate the Master Reference Subwoofer into systems that include multiple preamplifiers, amplifiers and associated components, to synchronize their operation with a remote control. When the Krell Link in/out connectors are used, the remote capabilities of linked components are controlled from one component, called the control component. The linked components respond to stand-by and operational commands from the control component via MIDI cables.

Notes

The Master Reference Subwoofer cannot be used as the control component.

The Master Reference Subwoofer remote control takes priority over Krell Link commands. The CAST features of the Master Reference Subwoofer cannot be switched via Krell Link.

Krell Link uses standard five-pin MIDI communication cables, sometimes called MIDI Plus cables. These MIDI cables can be purchased from your authorized distributor or dealer, or from an audio supply store.

Connecting Components Through Krell Link

Use one or more five-pin MIDI cables (sometimes called MIDI Plus cables) to create an active Krell Link with Master Reference Subwoofers.

- 1.** Turn all components off. This ensures components are synchronized when the MIDI cables are connected.
- 2.** Select the control component. It must be in plain view for proper remote control operation.

-
3. Connect one end of a MIDI cable to the Krell Link out connector, on the control component back panel.
 4. Connect the other end of a MIDI cable to the Krell Link in connector, on the back panel of the next component.
 5. To link another component, connect another MIDI cable to the Krell Link out connector on the back panel of the second component. Connect the remaining end of the MIDI cable to the Krell Link in connector, on the back panel of a third component.
 6. Link additional components, if desired.

The components are now ready for operation with Krell Link.

Krell Link Operation

1. When all components are linked, as described above, place each component in the stand-by mode. This ensures all components are synchronized when signals from the control component are sent to linked components.
2. Switch the control component to the operational mode using the component's power key on the remote control. The linked components simultaneously switch to the operational mode.

An individual linked component can be manually switched between the stand-by and the operational modes from its front panel. Switching a linked component temporarily breaks the chain of linked components. To re-establish linked operation, return all components to the stand-by mode.

Note

Other Krell components can be configured to allow you to disconnect or reconnect the Krell Link feature without physically disconnecting or reconnecting the components and MIDI cables. See the owner's reference for your Krell component.

RS-232

The RS-232 port (13) allows you to send operational instructions directly into the Master Reference Subwoofer from a computer-based control system, providing integrated control of all subwoofer functions. This feature also allows the Master Reference Subwoofer to report operational status, through the RS-232 status feedback system.

*For information on how to send RS-232 commands to operate the Master Reference Subwoofer, see the **RS-232 Port: Sending Commands and Interpreting Data** developer's reference.*

12 VDC (12 V Trigger)

The 12 VDC (12 V trigger) output (10) on the Master Reference Subwoofer allows you to turn other components on or off, or to and from stand-by automatically, through the remote control. The 12 V trigger input (10) allows you to turn the subwoofer on using the remote control of another component with a 12 V trigger. This feature allows whole systems or parts of systems to be easily coordinated.

The 12 VDC LFE input (11) for the Master Reference Subwoofer can be used to turn the LFE inputs (17, 18, 19) on or off. See **C. Choosing Stereo, LFE, or Stereo/LFE**, on page 35, for more information.

SECTION **SEVEN**

Optional Configurations

Five optional configurations are available on the Master Reference Subwoofer, to further customize subwoofer operation. Instructions for optional configurations follow.

AC Mains Menu

This option allows the Master Reference Subwoofer to be powered on from an AC wall receptacle with a dedicated switch, rather than from the back panel switch or other remote option.

1. Press the menu key (37).
2. Use the adjust keys (43) to select the AC Mains menu. The front panel display (4) shows AC MAINS.
3. Press the enter key (38). The front panel display shows AC OFF.
4. Use the adjust keys to select AC ON or AC OFF.
5. Press the enter key to set the selection and return to the main menu.
6. Press the menu key to exit the menu mode and return to normal operation.

LED Menu

This option allows you to turn front panel LEDs (2,3) on and off.

1. Press the menu key (37).
2. Use the adjust keys (43) to select the LED menu. The front panel display (4) shows LED.
3. Press the enter key (38). The front panel display shows LED ON.
4. Use the adjust keys to select ON or OFF.
5. Press the enter key to set the selection and return to the main menu.
6. Press the menu key to exit the menu mode and return to normal operation.

Mute Menu

This option allows you to customize the mute key to mute all subwoofer outputs or only selected outputs. *Also see **Step IV. Match the High-pass and Low-pass Filter Levels**, on page 38, for more information on mute key configuration.*

1. Press the menu key (37).
2. Use the adjust keys (43) to select the mute menu. The front panel display (4) shows MUTE.
3. Press the enter key (38). The front panel display shows LPF ONLY.
4. Use the adjust keys to select the preferred muting configuration for high-pass filter (hpf), low-pass filter (lpf), or by-pass filter (byp). Muting options are: LPF ONLY, HPF ONLY, BYP ONLY, LPF + HPF, LPF + BYP, HPF + BYP, and ALL.
5. Press the enter key to set the selection and return to the main menu.
6. Press the menu key to exit the menu mode and return to normal operation.

Unit ID Menu

The Unit ID menu allows you to set a unit ID for each subwoofer, when you use multiple subwoofers in your system. Different unit IDs let you control each subwoofer separately by pressing one of the unit keys (32) (1, 2, 3, 4) on the remote control. You can also control all subwoofers at once by pressing the all key (33) on the remote control.

Note

Once you assign an ID to a subwoofer, you must use one of the unit keys on the remote control to control the subwoofer.

1. Press the menu key (37).
2. Use the adjust keys (43) to select the Unit ID menu. The front panel display (4) shows UNIT ID.
3. Press the enter key (38). The front panel display shows UNIT 0.
4. Use the adjust keys to scroll through available options (UNIT 0 through UNIT 4).
5. Press the enter key to set the preferred selection and return to the main menu.
6. Press the menu key to exit the menu mode and return to normal operation.

Exit Menu

This option allows you to exit the menu mode.

- 1.** Press the menu key (37) or use the adjust keys (43) to select the exit menu.
The front panel display (4) shows EXIT.
- 2.** Press the enter key (38). You exit the menu mode.



Warranty

Each Krell Master Reference Subwoofer has a limited warranty of five years for parts and labor on circuitry, for all sections except the loudspeaker driver assemblies. The loudspeaker driver assemblies have a warranty of one year, for defects due to manufacture only. Should this product fail to perform at any time during the warranty, Krell will repair it at no cost to the owner, except as set forth in this warranty.

This warranty does not apply to damage caused by acts of God or nature.

The warranty described on this page shall be in lieu of any other warranty, expressed or implied, including, but not limited to, any implied warranty of merchantability or fitness for a particular purpose. There are no warranties which exceed beyond those described in this document. If this product does not perform as warranted herein, the owner's sole remedy shall be repair. In no event will Krell be liable for incidental or consequential damages arising from purchase, use, or inability to use this product, even if Krell has been advised of the possibility of such damages.

Proof of purchase in the form of a bill of sale or receipted invoice substantiating that the unit is within the warranty period must be presented to obtain warranty service. The warranty begins on the date of the original retail purchase, as noted on the bill of sale or receipted invoice from an authorized Krell dealer or distributor. Previously owned equipment, when re-purchased from an authorized Krell dealer or distributor, has the balance of the original warranty, based on the original date of manufacture.

The warranty for Krell products is valid only in the country to which they were originally shipped, through the authorized Krell distributor for that country, and at the factory. There may be restrictions on or changes to Krell's warranty because of regulations within a specific country. Please check with your distributor for a complete understanding of the warranty in your country.

If a unit is serviced by a distributor who did not import the unit, there may be a charge for service, even if the product is within the warranty period.

Freight to the factory is your responsibility. Return freight within the United States (U.S.A.) is included in the warranty. If you have purchased your Krell product outside the U.S.A. and wish to have it serviced at the factory, all freight and associated charges to the factory are your responsibility.

Krell will pay return freight to the U.S.A.-based freight forwarder of your choice. Freight and other charges to ship the unit from the freight forwarder to you are also your responsibility.

Krell is not responsible for any damage incurred in transit. Krell will file claims for damages as necessary for units damaged in transit to the factory. You are responsible for filing claims for shipping damages during the return shipment.

Krell does not supply replacement parts and/or products to the owner of the unit. Replacement parts and/or products will be furnished only to the distributor performing service on this unit on an exchange basis only; any parts and/or products returned to Krell for exchange become the property of Krell.

No expressed or implied warranty is made for any Krell product damaged by accident, abuse, misuse, natural or personal disaster, or unauthorized modification.

Any unauthorized voltage conversion, disassembly, component replacement, perforation of chassis, updates, or modifications performed to the unit will void the warranty.

IMPORTANT

Connecting non-CAST components to CAST inputs or outputs can damage your equipment and void your warranty. Do not attempt to change CAST cable terminations or CAST inputs or outputs to RCA or XLR connectors. It is electrically impossible to convert CAST input or output connections for balanced or single-ended voltage operation.

The operating voltage of this unit is determined by the factory and can only be changed by an authorized Krell distributor or at the factory. The voltage for this product in the U.S.A. cannot be changed until six months from the original purchase date.

In the event that Krell receives a product for warranty service that has been modified in any way without Krell authorization, all warranties on that product will be void. The product will be returned to original factory layout specifications at the owner's expense before it is repaired. All repairs required after the product has been returned to original factory specifications will be charged to the customer, at current parts and labor rates.

All operational features, functions, and specifications and policies are subject to change without notification.

To register your product for warranty benefits, please complete and return the Warranty Registration Card enclosed in the shipping box within 15 days of purchase. Thank you.



Return Authorization Procedure

If you believe there is a problem with your component, please contact your dealer, distributor, or the Krell factory to discuss the problem before you return the component for repair. To expedite service, you may wish to complete and e-mail the Service Request Form in the Service Section of our website at:

<http://www.krellonline.com>

To contact the Krell Service Department

| | |
|---------|--|
| TEL | 203-799-9954, Monday-Friday 9:00 am to 5:00 PM EST |
| FAX | 203-799-9796 |
| E-MAIL | service@krellonline.com |
| WEBSITE | http://www.krellonline.com |

Krell Master Reference Subwoofer

PRODUCT

SERIAL NUMBER

To return a product to Krell, please follow this procedure so that we may serve you better.

1. Obtain a Return Authorization Number (R/A number) and shipping address from the Krell Service Department.
2. Insure and accept all liability for loss or damage to the product during shipment to the Krell factory and ensure all freight (shipping) charges are prepaid.

The product may also be hand delivered if arrangements with the Service Department have been made in advance. Proof of purchase will be required for warranty validation at the time of hand delivery.

IMPORTANT

Use the original packaging to ensure the safe transit of the product to the factory, dealer, or distributor. Krell may, at its discretion, return a product in new packaging and bill the owner for such packaging if the product received by Krell was boxed in nonstandard packaging or if the original packaging was so damaged that it was unusable. If Krell determines that new packaging is required, the owner will be notified before the product is returned.

To purchase additional packaging, please contact your authorized Krell dealer, distributor, or the Krell Service Department for assistance.

Free Manuals Download Website

<http://myh66.com>

<http://usermanuals.us>

<http://www.somanuals.com>

<http://www.4manuals.cc>

<http://www.manual-lib.com>

<http://www.404manual.com>

<http://www.luxmanual.com>

<http://aubethermostatmanual.com>

Golf course search by state

<http://golfingnear.com>

Email search by domain

<http://emailbydomain.com>

Auto manuals search

<http://auto.somanuals.com>

TV manuals search

<http://tv.somanuals.com>