

KB790

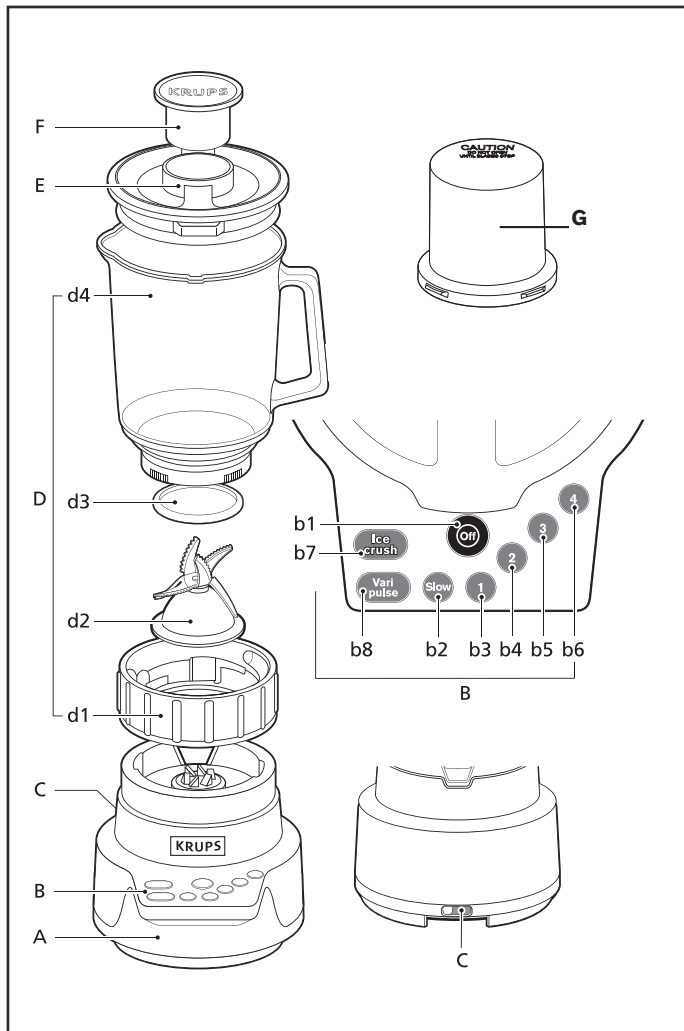
www.krups.com



EN
FR
ES

KRUPS

Download from Www.Somanuals.com. All Manuals Search And Download.



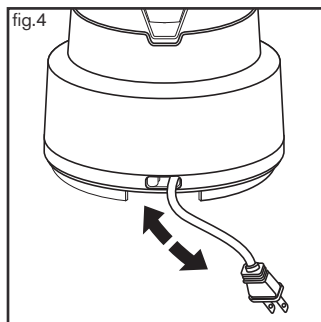
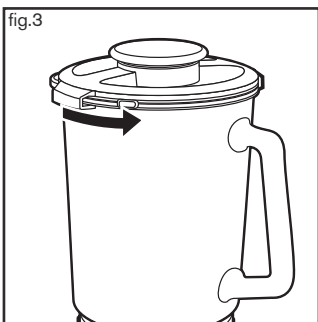
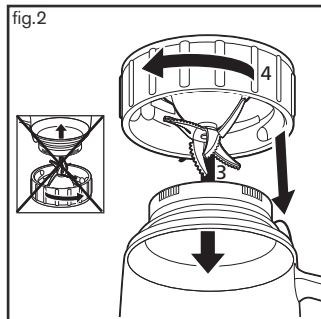
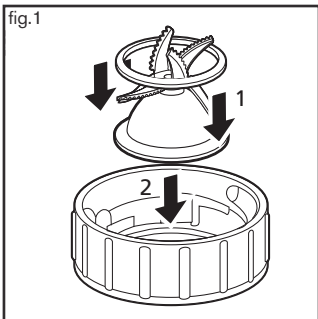


TABLE OF CONTENTS

IMPORTANT SAFEGUARDS	P. 3
DESCRIPTION OF THE BLENDER	P. 6
USING YOUR APPLIANCE.....	P. 6
IMPORTANT GUIDELINES.....	P. 9
CLEANING	P. 10
TROUBLESHOOTING	P. 11
DISPOSING OF YOUR APPLIANCE	P. 12
WARRANTY.....	P. 13

IMPORTANT SAFEGUARDS

When using electrical appliances, basic safety precautions should always be followed to reduce the risk of fire, electric shock, and/or injury to persons, including the following:

- Read all instructions carefully before using the blender.
- To protect against risk of electrical shock, do not put blender, cord or plug in water or other liquids .
- Close supervision is necessary when any appliance is used near children.
- This appliance is not intended for use by children.
- Unplug from outlet when not in use, before putting on or taking off parts, and before cleaning.
- Avoid contact with moving parts.
- Do not operate any appliance with a damaged cord or plug, or after the appliance malfunctions, or is dropped or damaged in any manner. Return appliance to the nearest authorized KRUPS Service Center for examination, repair or electrical or mechanical adjustments.
- The use of attachments, including a canning jar, not recommended by KRUPS may cause injury to person.
- Do not use outdoors.
- Do not let the cord hang over edge of table or counter.
- Keep hands and utensils out of the jar while blending to reduce the risk of severe injury to persons or damage to the blender. A scraper may be used but must be used only when the blender is not running.
- Blades are sharp. Handle carefully.
- To reduce the risk of injury, never place the blade assembly on the blender base without the jar properly attached.
- Always operate blender with cover in place.

- When blending hot liquids, remove measuring cup (center piece of cover) to allow steam to escape.
- Make certain the voltage of the appliance is in accordance with your domestic supply.
- Never use the blender on a hot surface or near fire.
- Do not place ingredients bigger than one inch into the blender. They could jam the blades and overheat the motor.
- Do not use the appliance for other than intended use.
- Do not place the blender jar in a microwave oven.

SAVE THESE INSTRUCTIONS

CAUTION

- This appliance is for household use only. Any servicing other than cleaning and user maintenance should be performed by the nearest authorized KRUPS Service Center.
- Do not immerse base in water.
- To reduce the risk of fire or electric shock, do not remove base or any parts inside. No user serviceable parts inside. Repair should be done by an authorized KRUPS Service Center only.

SPECIAL CORD SET INSTRUCTIONS

Regarding your cord set:

- A.** A short power-supply cord is provided to reduce risks resulting from becoming entangled in or tripping over a longer cord.
- B.** Longer extension cords are available and may be used if care is exercised during use .
- C.** (1) If a long extension cord is used, the marked electrical rating of extension cord should be at least as great as the electrical rating of the appliance, (2) if the appliance is of the grounded type, the extension cord should be of a grounded type, and (3) the longer cord should be arranged so that it will not drop over the counter top or table top where it can be pulled on by children or tripped over.
- D.** This appliance has a polarized plug (one blade is wider than the other). As a safety feature, this plug will fit in a polarized outlet only one way. If the plug does not fully fit in the outlet, reverse the plug. If it still does not fit, contact a qualified electrician. Do not modify the plug in any way.

DESCRIPTION

- A** Die cast base
- B** Control panel
 - b1** - Stop button
 - b2** - Slow speed
 - b3** - speed 1
 - b4** - speed 2
 - b5** - speed 3
 - b6** - speed 4
 - b7** - Ice crush function
 - b8** - Vari-Pulse function
- C** Cord storage
- D** Blender jar assembly
 - d1** - Locking ring base
 - d2** - Removable blade assembly
 - d3** - Seal
 - d4** - Graduated 60oz glass jar
- E** Blender jar lid
- F** Blender jar stopper, 2,5 oz
- G** Food chopper accessory (available in limited KRUPS Service Centers)

USING YOUR APPLIANCE

- Before first use, wash the blender jar, lid, and lid stopper in warm soapy water. Rinse and dry carefully. Never immerse the base of the appliance in water or put it under running water.
- The blender jar is made of borosilicate glass, which is thermal-shock and scratch resistant. As a result, both hot and cold foods can be prepared in the blender jar. However, when blending hot foods, always ensure that the lid stopper is loosened to allow steam to escape. Always double-check that the lid is correctly locked in place before processing to prevent injury, and allow boiling hot liquids to cool before blending. Temperature should not exceed 212°F

- Place the ring seal (**d3**) onto the base of the removable blade carrier (**d2**) (**diagram 1**).
- Press the assembly (**d2 + d3**) down into the locking ring base (**d1**). It will click into place.
- Hold this assembly upside down (locking ring base + blade assembly + seal) and place it onto the glass jar, which has to be held upside down too (**diagram 2**). Take care to ensure that the glass knobs of the jar (there are two of them) fit into the grooves in the locking ring base (**diagram 2**).
- Hold the locking ring base (**d1**) firmly and give the glass jar a quarter turn to lock it in place (**diagram 2**). For your safety, the setting up and dismantling of the base (**d2 + d3**) on the bowl (**d4**) are possible only in the inverted position.
- Place the assembled blender jar (**D**) onto the metal base (**A**). There are two possible positions: the jar handle can be in the left or right of the control panel (**B**). For your own safety, the blender will not start unless it is correctly assembled and positioned on the metal base.
- Place the ingredients to be blended in the jar. Take note of the following maximum levels:
 - 60 oz for thick mixtures
 - 50 oz for very liquid mixtures
 - 6 to 8 large (1/3L or 3 cups max) ice cubes for ice crush.
- Insert the lid stopper in the lid. Place the lid on the jar and twist counter-clockwise to lock the lid in place (**diagram 3**).
- Plug in the appliance. To begin blending, choose a function or speed. To stop blending at any time, press OFF.

Blending speed options are Slow – 1 – 2 – 3 – 4. (Slow is the lowest speed, 4 is the highest speed).

Start on Slow (**b2**) and then gradually increase to the desired speed. The selected speed button will light up. To stop processing at any time, press OFF (the indicator light for the speed selected will go out).



NOTE: The Slow speed can also be used to mix in solid ingredients that you do not wish to process, such as adding chocolate chips or nuts after blending a batter.

Always ensure the lid is securely locked in place while the blender is in use. To add ingredients while blending, carefully remove the lid stopper from the center of the lid and add ingredients through the opening. Replace the lid stopper once ingredients have been added.

Always stop blending and unplug the appliance before removing the blender lid. Never remove the blender jar from the base until the blades have come to a complete stop.

SPEED – SUGGESTED FOODS

- Slow To foam milkshakes or smoothies after fruits have been blended. Blending powdered drink mixes with water. Folding liquid ingredients such as homemade mayonnaise. Mixing solid ingredients into a liquid without processing (e.g. adding chocolate chips to a pancake mix)
- V1 Blending softer foods such as chickpeas for hummus. Mixing vegetable dips, preparing salad dressings
- V2 Chopping small quantities of foods such as onions or nuts, crushing graham crackers
- V3 Blending batters for pancakes or waffles, preparing fresh guacamole or salsa, puree cooked fruits or vegetables.
- V4 Pureeing raw, uncooked fruits and vegetables into liquids.

VARI-PULSE FUNCTION

The Vari-Pulse function allows for more precise control over the degree of blending.

- Vari-Pulse can be selected for any speed from Slow to 4.
- Note that Vari-Pulse cannot be used with Ice Crush as it is already a pulsing function.
- To use Vari-Pulse, push the Vari-Pulse button first. The button will blink to show it has been selected. Then push the button for the desired speed (select from Slow – 1 – 2 – 3 – 4) and hold it down.

Blending will continue as long as the button is pushed, release the button to stop blending.

- To turn off the Vari-Pulse function, press OFF (the indicator light will go out).
- Always stop blending and unplug the appliance before removing the blender lid. Never remove the blender jar from the base until the blades have come to a complete stop.

ICE-CRUSH FUNCTION

This function is designed to automatically pulse to prepare crushed ice.

- To crush ice, add 6 to 8 large ice cubes (1/3L or 3 cups max) into the jar and lock on the lid.
- There is no need to add water.
- Press the Ice Crush button to start. For finely crushed ice, use less ice cubes (maximum 6-8 large ice cubes). When the ice is ready, stop the blender by pressing OFF.
- Always stop blending and unplug the appliance before removing the blender lid. Never remove the blender jar from the base until the blades have come to a complete stop.

IMPORTANT GUIDELINES

- Always ensure that the blender lid and stopper are locked in place before blending. For your safety, the blender will not start unless the blender jar is correctly assembled and positioned on the metal base.
- Always stop blending and unplug the appliance before removing the blender lid. Never remove the blender jar from the base until the blades have come to a complete stop.
- When blending solid ingredients, cut them into smaller pieces (1/2 – 1" long) before adding to the blender jar. When blending a mixture of liquid and solid ingredients, always pour the liquid ingredients into the blender jar first, then add the solid ingredients.
- When blending hot foods, always ensure that the lid stopper is loosened to allow steam to escape. Always double-check that the lid is correctly locked in place before processing to prevent injury, and allow boiling hot liquids to cool before blending.

- To add ingredients while blending, carefully remove the lid stopper from the center of the lid and add ingredients through the opening. Replace the lid stopper once ingredients have been added.
- If you wish to scrape down the sides of the jar, press OFF and unplug the appliance before removing the blender jar from the base. Never reach into the blender jar with the jar still on the base. Unlock the lid and use a plastic spatula to scrape down the sides. The blades at the bottom of the blender jar are very sharp, take care when scraping the jar to not damage your tools.
- **Never** put hands or fingers into the glass jar or close to the blade.
- Always start blending on the lowest speed then increase to the desired speed.
- Remove the blender jar from the metal base only when it has come to a standstill.
- Cord storage: The power cord can be shortened by feeding back into the metal base through the opening in the rear (**diagram 4**).

CLEANING

- Always turn the blender off and unplug, then remove the blender jar from the base before cleaning.
- Wipe the metal base with a damp cloth and dry before using.
- Never immerse the base in water or place under running water.
- Do not clean base with harsh or abrasive chemical cleaners or sponges.
- The blender jar and lid can be washed in the dishwasher. The blender lid should be washed on the top rack only to prevent deformation.
- When washing by hand, use warm water and a gentle dishwashing liquid.
- Always remove the blade assembly from the bottom of the blender jar before washing.
- To clean the blade assembly, empty the jar and hold upside down, with the locking ring base on top, then release the locking ring base, and carefully remove the blade assembly and seal from the locking ring base.



CAUTION: USE EXTREME CAUTION WHEN HANDLING BLADE ASSEMBLY. BLADES ARE EXTREMELY SHARP!!

- Wash the locking ring base, blade assembly, and seal carefully by hand with warm water and gentle dishwashing liquid, then dry before re-assembling to the blender jar.

TROUBLESHOOTING

Problem:	Cause:	Solution:
Blender does not work.	Blender is unplugged	Plug in the blender
	The blender jar is not properly assembled or positioned on the base	Confirm that the blade assembly is properly assembled to the blender jar, and that the jar is correctly positioned in the base.
Excessive vibration	The blender is placed on an uneven surface.	Place on a flat surface.
	The blender jar is not properly positioned on the base.	Confirm that the jar is correctly assembled and positioned in the base.
Blender jar contents leaking from lid.	Maximum capacity exceeded	Note maximum levels as follows - 60 oz for thick mixtures - 50 oz for very liquid mixtures - 6 to 8 ice cubes for ice crush
	Blender lid is not properly locked in place.	Lock the blender lid in place before blending.

Problem:	Cause:	Solution:
Leaking from bottom of blender jar	Silicone seal missing or incorrectly assembled.	Check that the seal is in place and correctly positioned.
	Seal deformed or damaged.	Replace seal. Replacement seals are available from KRUPS certified service centers.
Blades are jammed.	Pieces of food are too big or too hard.	Reduce size of pieces of food, blend in smaller quantities, or blend with liquids.

DISPOSING OF YOUR APPLIANCE



① Your appliance contains valuable materials which can be recycled.



➔ Consult your local waste collection center for correct disposal procedure and recycling options.

MANUFACTURER'S WARRANTY



: www.krups.com

With a strong commitment to the environment, most of Krups products are repairable during and after the warranty period. Before returning any defective products to the point of purchase, please call Krups consumer service directly at the phone number below for repair options.

Your help to sustain the environment is appreciated!

The Warranty

This product is guaranteed by Krups for a period of **2 years** against any manufacturing defect in materials or workmanship, starting from the initial date of purchase.

The manufacturer's warranty by Krups is an extra benefit which does not affect consumer's Statutory Rights.

The Krups warranty covers all costs related to restoring the proven defective product so that it conforms to its original specifications, through the repair or replacement of any defective part and the necessary labor. A replacement product may be provided instead of repairing a defective product. Krups's sole obligation and your exclusive resolution under this warranty are limited to such repair or replacement.

Conditions & Exclusions

The Krups warranty only applies within USA, Canada & Mexico, and is valid only on presentation of a proof of purchase. The product can be taken directly in person to an authorized service centre or must be adequately packaged and returned, by recorded delivery (or equivalent method of postage), to a Krups authorized service centre. Full address details for each country's authorized service centre are listed on the Krups website (www.krups.com) or by calling the appropriate telephone number listed below to request the appropriate postal address.

Krups shall not be obliged to repair or replace any product which is not accompanied by a valid proof of purchase.

This warranty will not cover any damage which could occur as a result of misuse, negligence, failure to follow Krups instructions, use on current or voltage other than as stamped on the product, or a modification or unauthorized repair of the product. It also does not cover normal tear and wear, maintenance or replacement of consumable parts, and the following:

- using the wrong type of water
- scaling (any de-scaling must be carried out according to the instructions for use);
- ingress of water, dust or insects into the product;
- mechanical damages, overloading
- damages or bad results due to wrong voltage or frequency
- accidents including fire, flood, lightning, etc
- professional or commercial use
- damage to any glass or porcelain ware in the product

This warranty does not apply to any product that has been tampered with, or to damages incurred through improper use and care, faulty packaging by the owner or mishandling by any carrier.

The Krups manufacturer's warranty applies only for products purchased and used in USA, Canada & Mexico. Where a product purchased in one country and then used in another one:

- a) The Krups guarantee duration is the one in the country of usage of the product, even if the product was purchased in another listed country with different guarantee duration.
- b) The Krups guarantee does not apply in case of non conformity of the purchased product with the local standards, such as voltage, frequency, power plugs, or other local technical specifications.
- c) The repair process for products purchased outside the country of use may require a longer time if the product is not locally sold by Krups
- d) In cases where the product is not repairable in the new country, the Krups guarantee is limited to a replacement by a similar product or an alternative product at similar cost, where possible.

Consumer Statutory Rights

This Krups manufacturer's warranty does not affect the statutory rights a consumer may have or those rights that cannot be excluded or limited, nor rights against the retailer from which the consumer purchased the product. This warranty gives a consumer specific legal rights, and the consumer may also have other legal rights which vary from State to State or Country to Country or Province to Province. The consumer may assert any such rights at his sole discretion.

Additional information

Accessories, Consumables and end-user replaceable parts can be purchased, if locally available, as described in Krups internet site.

CANADA	GROUPE SEB CANADA 345 Passmore Avenue Toronto, ON M1V 3N8	MEXICO	G.S.E.B. MEXICANA, S.A. de C.V. Goldsmith 38 Desp. 401, Col. Polanco Chapultepec Delegacion Miguel Hidalgo 11 560 Mexico D.F.	U.S.A.	GROUPE SEB USA 2121 Eden Road Millville, NJ 08332
	1-800-418-3325		(01800) 112 83 25		800-526-5377



: www.krups.com

TABLE DES MATIÈRES

MISES EN GARDE IMPORTANTES	P. 17
DESCRIPTION DU MÉLANGEUR.....	P. 20
UTILISATION DE VOTRE APPAREIL.....	P. 20
CONSIGNES IMPORTANTES.....	P. 23
NETTOYAGE	P. 24
DÉPANNAGE	P. 25
DISPOSER DE L'APPAREIL	P. 26
GARANTIE	P. 27

MISES EN GARDE IMPORTANTES

Lors de l'utilisation d'appareils électriques, les consignes de sécurité de base doivent toujours être respectées afin de réduire le risque d'incendie, de choc électrique ou de blessures, y compris les consignes suivantes :

- Lisez attentivement le mode d'emploi en entier avant d'utiliser le mélangeur.
- Afin d'éviter tout risque de choc électrique, n'immergez pas l'appareil, le cordon d'alimentation ou la fiche dans l'eau ou dans tout autre liquide.
- Une surveillance étroite est nécessaire lorsque l'appareil est utilisé à proximité d'enfants.
- Cet appareil n'est pas destiné à être utilisé par des enfants.
- Débranchez l'appareil lorsqu'il n'est pas utilisé, avant d'assembler ou de retirer des pièces et avant de procéder au nettoyage.
- Évitez tout contact avec les pièces mobiles.
- Ne faites pas fonctionner l'appareil si le cordon ou la fiche est endommagé, après un dysfonctionnement ou une chute de l'appareil, ou si celui-ci est endommagé d'une quelconque manière. Retournez l'appareil au centre de service agréé KRUPS le plus près pour inspection, réparation ou ajustement.
- L'utilisation d'accessoires non recommandés par KRUPS, y compris des pots de conserves, peut causer des blessures.
- N'utilisez pas l'appareil à l'extérieur.
- Ne laissez pas le cordon pendre d'une table ou d'un comptoir.

- Ne mettez pas vos mains ou des ustensiles dans le bol pendant le fonctionnement de l'appareil afin d'éviter tout risque de blessures graves et pour ne pas endommager le mélangeur. Vous pouvez utiliser une spatule, mais seulement lorsque le mélangeur n'est pas en fonctionnement.
- Les lames sont tranchantes, manipulez-les avec précaution.
- Pour diminuer les risques de blessures, ne placez jamais les lames sur le socle sans que le bol ne soit correctement installé.
- Utilisez toujours le mélangeur avec son couvercle.
- Lorsque vous mélangez des liquides chauds, retirez le bouchon (pièce au centre du couvercle) afin de permettre à la vapeur de s'échapper.
- Vérifiez que la tension d'alimentation de l'appareil correspond bien à celle de votre installation électrique.
- N'utilisez jamais le mélangeur sur une surface chaude ou à proximité d'une flamme.
- N'introduisez pas d'ingrédients de plus de 2,5 cm (1 pouce) dans le mélangeur. Ils pourraient bloquer les lames et faire chauffer le moteur.
- N'employez cet appareil que pour l'usage auquel il est destiné.
- Ne passez pas le bol dans un four à micro-ondes.

CONSERVER CES INSTRUCTIONS

PRÉCAUTIONS

- Cet appareil est réservé à un usage domestique seulement. Toute intervention autre que le nettoyage et l'entretien usuel doit être effectuée par le centre de service agréé KRUPS le plus près.
- N'immergez pas le socle dans l'eau.
- Pour éviter tout risque d'incendie ou de choc électrique, ne démontez pas le socle ni aucune pièce interne. Les pièces internes ne sont pas destinées à être entretenues ou réparées par l'utilisateur. Toute réparation doit être effectuée exclusivement par un centre de service agréé KRUPS.

INSTRUCTIONS CONCERNANT LE CORDON

Concernant le cordon :

- A.** Un cordon d'alimentation court a été fourni avec l'appareil afin de réduire les risques de s'y emmêler ou de trébucher
- B.** Des rallonges sont disponibles et peuvent être utilisées à condition de faire preuve de vigilance.
- C.** Si une rallonge est utilisée : (1) le calibre de la rallonge doit être au minimum le même que celui de l'appareil; (2) si l'appareil est mis à la terre, la rallonge doit l'être aussi; et (3) la rallonge doit être disposée de manière à qu'elle ne fasse trébucher quelqu'un et à ne pas pendre de la table ou du comptoir, afin que les enfants ne puissent tirer dessus.
- D.** Cet appareil est muni d'une fiche polarisée (l'une des lames est plus large que l'autre). Par mesure de sécurité, cette fiche ne peut être insérée dans une prise polarisée que dans un sens. Si la fiche ne rentre pas complètement dans la prise, retournez-la. Si elle ne rentre toujours pas, communiquez avec un électricien qualifié. Ne modifiez la fiche en aucun cas.

DESCRIPTION

- A** Socle en métal moulé
- B** Panneau de commande
 - b1** - Touche d'arrêt « OFF »
 - b2** - Vitesse lente « SLOW »
 - b3** - Vitesse 1
 - b4** - Vitesse 2
 - b5** - Vitesse 3
 - b6** - Vitesse 4
 - b7** - Fonction concasseur à glace « ICE CRUSH »
 - b8** - Fonction Vari-Pulse
- C** Range-cordon
- D** Ensemble du bol du mélangeur
 - d1** - Anneau de verrouillage
 - d2** - Lames amovibles
 - d3** - Joint d'étanchéité
 - d4** - Bol en verre gradué de 1,75 l (60 oz)
- E** Couvercle du bol
- F** Bouchon du bol de 75 ml (2,5 oz)
- G** Accessoire hachoir (disponible dans certains centres de service KRUPS)

UTILISATION DE VOTRE APPAREIL

- Avant de l'utiliser pour la première fois, lavez le bol, le couvercle et le bouchon à l'eau tiède savonneuse. Rincez-les et séchez-les soigneusement. N'immergez jamais le socle de l'appareil et ne le passez jamais sous l'eau courante.
- Le bol est en verre borosilicaté, résistant aux chocs thermiques et aux égratignures. Par conséquent, il permet de préparer aussi bien des aliments chauds que froids. Toutefois, lorsque vous mélangez des aliments chauds, veillez toujours à ce que le bouchon du couvercle soit desserré afin de permettre à la vapeur de s'échapper. Vérifiez que le couvercle est correctement verrouillé avant de faire fonctionner

l'appareil afin d'éviter tous risques de blessure, et laissez 2 les liquides bouillants refroidir avant de les mélanger. La température ne doit pas dépasser 100 °C (212 °F).

- Placez le joint d'étanchéité **(d3)** sur les lames amovibles **(d2)** **(figure 1)**.
- Insérez ces deux éléments assemblés **(d2 + d3)** dans l'anneau de verrouillage **(d1)**, en appuyant jusqu'à ce que vous entendiez un clic.
- Retournez l'ensemble (anneau de verrouillage + lames + joint d'étanchéité) vers le bas en tenant le tout et placez-le sur le bol en verre, qui doit également être tenu à l'envers **(figure 2)**. Veillez à ce que les encoches en verre du bol (au nombre de deux) soient bien insérées dans les rainures de l'anneau de verrouillage **(figure 2)**.
- Tenez fermement l'anneau de verrouillage **(d1)** et tournez le bol en verre d'un quart de tour pour le verrouiller **(figure 2)**. Pour votre sécurité, le montage et le démontage de la base **(d2 + d3)** sur le bol **(d4)** ne sont possibles qu'en position retournée.
- Posez le bol assemblé **(D)** sur le socle en métal **(A)**. Deux positions sont possibles, soit la poignée du bol à gauche ou à droite du panneau de commande **(B)**. Pour votre sécurité, le mélangeur ne peut démarrer que s'il est correctement assemblé et positionné sur le socle en métal.
- Versez les aliments à mélanger dans le bol, en tenant compte des limites maximales suivantes :
 - 1,75 l (60 oz) pour les préparations épaisses
 - 1,5 l (50 oz) pour les préparations très liquides
 - 6 à 8 gros glaçons (1/3 l ou 3 tasses maximum) pour la glace concassée
- Placez le bouchon dans le couvercle. Posez le couvercle sur le bol et tournez en sens antihoraire afin de verrouiller le couvercle **(figure 3)**.
- Branchez l'appareil. Pour commencer à mélanger, choisissez une fonction ou une vitesse. Pour arrêter le fonctionnement de l'appareil à tout moment, appuyez sur « OFF ».
- Les vitesses possibles sont « Slow » – 1 – 2 – 3 – 4. (« Slow » étant la vitesse la plus lente et 4, la plus rapide).
- Démarrez en position « Slow » (b2) puis passez progressivement à la vitesse de votre choix. La touche qui correspond à la vitesse sélectionnée s'allume. Pour arrêter le fonctionnement de l'appareil à tout moment, appuyez sur « OFF » (le voyant de la vitesse sélectionnée s'éteint).



NOTE : La vitesse lente vous permet également de mélanger des ingrédients solides que vous ne souhaitez pas broyer, comme des pépites de chocolat ou des noix ajoutées à une pâte.

Vérifiez toujours que le couvercle est bien verrouillé en place lorsque le mélangeur est en fonctionnement. Pour ajouter des ingrédients en cours de fonctionnement, retirez avec précaution le bouchon au centre du couvercle et faites passer les ingrédients par le trou du couvercle. Remplacez le bouchon du couvercle une fois les ingrédients ajoutés.

Arrêtez et débranchez toujours l'appareil avant d'ôter le couvercle. Ne retirez jamais le mélangeur du socle tant que les lames ne sont pas complètement immobilisées.

VITESSE - ALIMENTS CONSEILLÉS

« SLOW » Mousser des laits ou yogourts frappés après avoir mélangé les fruits. Mélanger des préparations de boissons en poudre avec de l'eau. Incorporer des ingrédients liquides, comme dans la mayonnaise maison. Mélanger des ingrédients solides dans un liquide sans les broyer (par exemple, ajouter des pépites de chocolat à une pâte à crêpes).

- V1 Mélanger des aliments plus mous, comme des pois chiches pour préparer un houmous. Préparer des trempettes, des sauces à salade et des vinaigrettes.
- V2 Hacher de petites quantités d'aliments comme des oignons ou des noix, broyer des biscuits Graham.
- V3 Préparer de la pâte à crêpes ou à gaufres, de la guacamole ou de la salsa, réduire des fruits ou des légumes cuits en purée.
- V4 Réduire des fruits ou des légumes crus en purée.

FONCTION VARI-PULSE

La fonction Vari-Pulse permet un contrôle plus précis du degré de mélangeage.

■ La fonction Vari-Pulse peut être sélectionnée pour n'importe quelle vitesse, de « Slow » à 4.

- Notez que la fonction Vari-Pulse ne peut pas être utilisée avec la fonction de glace concassée, car cette dernière fonctionne déjà par impulsions.
- Pour utiliser la fonction Vari-Pulse, appuyez d'abord sur la touche Vari-Pulse. La touche se met à clignoter pour signifier qu'elle a été sélectionnée. Appuyez ensuite sur la touche de la vitesse désirée (sélectionnez l'une des vitesses : « Slow » – 1 – 2 – 3 – 4) et maintenez-la enfoncée. L'appareil fonctionne tant que vous appuyez sur la touche. Relâchez-la pour arrêter l'appareil.
- Pour désactiver la fonction Vari-Pulse, appuyez sur « OFF » (la touche s'éteint).
- Arrêtez et débranchez toujours l'appareil avant d'ôter le couvercle. Ne retirez jamais le bol du socle tant que les lames ne sont pas complètement immobilisées.

FONCTION DE GLACE CONCASSÉE

Cette fonction est destinée à agir par impulsions pour produire de la glace concassée.

- Pour concasser de la glace, versez 6 à 8 gros glaçons (1/3 l ou 3 tasses maximum) dans le bol et verrouillez le couvercle.
- Il n'est pas nécessaire d'ajouter d'eau.
- Appuyez sur la touche « Ice Crush » pour démarrer. Pour de la glace finement concassée, utilisez moins de glaçons (6 à 8 gros glaçons maximum). Lorsque la glace est prête, arrêtez le mélangeur en appuyant sur la touche « OFF ».
- Arrêtez et débranchez toujours l'appareil avant d'ôter le couvercle. Ne retirez jamais le mélangeur du socle tant que les lames ne sont pas complètement immobilisées.

CONSIGNES IMPORTANTES

- Veillez toujours à ce que le couvercle et le bouchon du mélangeur soient verrouillés avant de commencer à mélanger. Pour votre sécurité, le mélangeur ne peut démarrer que s'il est correctement assemblé et positionné sur le socle en métal.
- Arrêtez et débranchez toujours l'appareil avant d'ôter le couvercle. Ne retirez jamais le mélangeur du socle tant que les lames ne sont pas complètement immobilisées.

- Lorsque vous mélangez des ingrédients solides, coupez-les en petits morceaux (1 à 2,5 cm – ½ à 1 pouce de long) avant de les mettre dans le bol du mélangeur. Lorsque vous combinez des ingrédients liquides et solides, versez toujours les ingrédients liquides en premier dans le bol, puis ajoutez les ingrédients solides.
- Lorsque vous mélangez des aliments chauds, veillez toujours à ce que le bouchon du couvercle soit desserré afin de permettre à la vapeur de s'échapper. Revérifiez que le couvercle est correctement verrouillé avant de faire fonctionner l'appareil afin d'éviter tout risque de blessure et laissez les liquides bouillants refroidir avant de mélanger.
- Pour ajouter des ingrédients en cours de fonctionnement, retirez avec précaution le bouchon au centre du couvercle et faites passer les ingrédients par le trou du couvercle. Remettez le bouchon du couvercle en place une fois les ingrédients ajoutés.
- Si vous souhaitez gratter les parois du bol, appuyez sur « OFF » et débranchez l'appareil, puis retirez le bol de son socle. Ne mettez pas les mains dans le bol tant qu'il est sur le socle. Ôtez le couvercle et grattez les parois avec une spatule en plastique. Les lames au fond du bol sont très coupantes; veillez donc à ne pas endommager vos ustensiles.
- Ne mettez **jamais** les mains ou les doigts dans le bol en verre ou à proximité des lames.
- Démarrez toujours à la vitesse la plus lente, puis passez progressivement à la vitesse de votre choix.
- Ne retirez le bol du socle en métal qu'une fois l'appareil complètement arrêté.
- Rangement du cordon : il est possible de raccourcir le cordon d'alimentation en le rentrant dans le socle en métal par l'orifice situé à l'arrière (**schéma 4**).

NETTOYAGE

- Avant de nettoyer l'appareil, arrêtez-le et débranchez-le toujours, puis retirez le bol de son socle.

- Essuyez le socle en métal avec un linge humide, puis séchez-le avant de l'utiliser.
- N'immergez jamais le socle et ne le passez jamais sous l'eau courante.
- N'utilisez pas de nettoyeurs chimiques ou de tampons forts ou abrasifs pour nettoyer le socle.
- Le bol et le couvercle peuvent être lavés au lave-vaisselle. Le couvercle **(E)** doit être placé dans le panier supérieur pour éviter toute déformation.
- Lorsque vous lavez l'appareil à la main, utilisez de l'eau tiède et un savon à vaisselle doux.
- Retirez toujours les lames au fond du bol avant de nettoyer l'appareil.
- Pour nettoyer les lames, videz le bol et tenez-le à l'envers, avec l'anneau de verrouillage vers le haut, puis détachez l'anneau de verrouillage et retirez les lames et le joint d'étanchéité avec précaution.



ATTENTION : MANIPULEZ LES LAMES AVEC LA PLUS GRANDE PRUDENCE. ELLES SONT EXTRÊMEMENT TRANCHANTES!!

- Nettoyez délicatement l'anneau de verrouillage, les lames et le joint d'étanchéité à la main à l'eau tiède en utilisant un savon à vaisselle doux, puis séchez-les avant de les remettre en place sur le bol.

DÉPANNAGE

Problème :	Cause :	Solution :
Le mélangeur ne fonctionne pas.	L'appareil n'est pas branché.	Branchez l'appareil.
	Le mélangeur n'est pas correctement assemblé ou positionné sur le socle.	Vérifiez que les lames sont correctement assemblées sur le bol et que le bol est correctement positionné sur le socle.

Problème :	Cause :	Solution :
Il y a des vibrations excessives.	L'appareil n'est pas posé sur une surface plane.	Posez-le sur une surface plane.
	Le mélangeur n'est pas correctement positionné sur le socle.	Vérifiez que le bol est correctement assemblé et positionné sur le socle.
Le contenu du bol fuit par le couvercle.	La capacité maximale a été dépassée.	Les limites maximales sont les suivantes : - 1,75 l (60 oz) pour les mélanges épais - 1,5 l (50 oz) pour les préparations très liquides - 6 à 8 glaçons pour la glace concassée.
	Le couvercle n'est pas correctement verrouillé.	Verrouillez bien le couvercle avant de mélanger.
Le bas du bol fuit.	Le joint de silicone est absent ou mal assemblé.	Vérifiez la présence et le bon positionnement du joint.
	Le joint est déformé ou abîmé.	Remplacez le joint. Des joints de rechange sont disponibles dans les centres de service agréés KRUPS.
Les lames sont bloquées.	Les morceaux d'aliments sont trop gros ou trop durs.	Réduisez la taille des morceaux d'aliments, mélangez en plus petites quantités ou ajoutez du liquide.

DISPOSER DE L'APPAREIL



① Votre appareil contient de nombreux matériaux valorisables ou recyclables.



➔ Confiez celui-ci à un point de collecte pour connaître les procédures d'élimination ou de recyclages adéquates.

GARANTIE FABRICANT



: www.krups.com

Dans le cadre de notre engagement puissant envers l'environnement, la plupart des produits Krups sont réparables durant la période de garantie et par la suite. Avant de retourner des produits défectueux à l'endroit où vous l'avez acheté, veuillez communiquer directement avec le service à la clientèle de Krups au numéro de téléphone mentionné ci-dessous, pour connaître les options de réparation.

Votre aide pour soutenir l'environnement est appréciée!

La garantie

Ce produit est garanti par Krups pendant **2 ans** contre tout défaut de fabrication ou de main-d'œuvre et ce, à partir de la date initiale de l'achat.

Cette garantie du fabricant Krups vient en complément des droits des consommateurs. La garantie du fabricant couvre tous les coûts de remise en état d'un produit reconnu défectueux pour qu'il se conforme à ses spécifications d'origine, par la réparation ou le remplacement de pièces défectueuses et la main-d'œuvre nécessaire. Au choix de Krups, un produit de remplacement peut être proposé à la place de la réparation du produit défectueux. Les obligations de Krups dans le cadre de cette garantie, se limitent exclusivement à cette réparation ou ce remplacement.

Conditions et exclusions

La garantie de Krups ne s'applique qu'aux États-Unis, au Canada et au Mexique et n'est valable que sur présentation d'une preuve d'achat. Le produit peut être déposé directement en personne, à un centre de service autorisé ou peut être adéquatement emballé et retourné par courrier enregistré (ou d'autres méthodes d'expédition similaires), à un centre de service autorisé. La liste complète des centres de service autorisés de chaque pays, ainsi que leurs coordonnées complètes, est disponible sur le site de Krups (www.krups.com) ou en appelant au numéro de téléphone approprié, tel que précisé sur la liste ci-dessous, pour obtenir l'adresse postale appropriée.

Krups ne sera pas obligée de réparer ou d'échanger un produit qui ne serait pas accompagné d'une preuve d'achat valide.

Cette garantie ne couvre pas les dommages encourus à la suite d'une mauvaise utilisation, d'une négligence, du non-respect des instructions d'utilisation et d'entretien, de l'utilisation avec une alimentation électrique non conforme à celle spécifiée sur la plaque signalétique ou d'une modification ou d'une réparation non autorisée du produit. Elle n'inclut également pas l'usure normale du produit, ni l'entretien ou le remplacement de pièces consommables, ni les cas suivants :

- utilisation d'une eau ou d'un consommable non adaptés
- entartrage (tout détartrage doit être réalisé conformément aux instructions précisées dans le mode d'emploi)
- infiltration d'eau, de poussière, d'insectes, dans le produit
- dommages mécaniques ou surcharge
- dommages ou mauvais résultats dus à un mauvais voltage ou une mauvaise fréquence
- tous accidents liés à un feu, une inondation, la foudre, etc.

- usage professionnel ou commercial
- verre ou céramique endommagé

Cette garantie ne s'applique pas aux produits trafiqués ou aux dommages encourus à la suite d'une mauvaise utilisation ou d'un mauvais entretien, aux problèmes au niveau de l'emballage effectué par son propriétaire ou d'une manutention inadéquate de la part du transporteur.

La garantie du fabricant Krups ne s'applique qu'aux produits achetés et utilisés aux États-Unis, au Canada et au Mexique. En cas d'utilisation dans un autre pays que celui de l'achat :

- a) La durée de la garantie de Krups est celle du pays d'utilisation du produit, y compris dans le cas où le produit aurait été acquis dans l'un des pays listés, avec une durée de garantie différente.
- b) La garantie de Krups ne s'applique pas en cas de non-conformité du produit aux normes locales, tels que le voltage, la fréquence électrique, le type de prise électrique ou toute autre spécification locale
- c) Le processus de réparation du produit acheté à l'extérieur du pays d'utilisation, pourrait exiger une période de réparation supérieure aux conditions locales, si le produit n'est pas vendu par Krups dans le pays d'emploi.
- d) Au cas où le produit ne serait pas réparable dans le pays d'emploi, la garantie de Krups est limitée au remplacement par un produit équivalent ou un produit alternatif de même valeur si c'est possible.

Droits légaux des consommateurs

Cette garantie de Krups n'affecte ni les droits légaux dont bénéficie tout consommateur, qui ne sauraient être exclus ou limités, ni les droits légaux envers le commerçant où le consommateur a acheté le produit. Cette garantie donne au consommateur des droits spécifiques et le consommateur peut par ailleurs bénéficier des droits particuliers en fonction du pays, de l'État ou de la province. Le consommateur peut faire usage de ces droits à sa discrétion exclusive.

Informations supplémentaires

Les accessoires, consommables et autres pièces remplaçables directement par l'utilisateur, peuvent être achetées, si elles sont disponibles localement, tel que décrit sur le site internet de Krups / www.krups.com.

CANADA	GROUPE SEB CANADA 345 avenue Passmore Toronto, ON M1V 3N8	MEXICO	G.S.E.B. MEXICANA, S.A. de C.V. Goldsmith 38 Desp. 401, Col. Polanco Chapultepec Delegacion Miguel Hildalgo 11 560 Mexico D.F.	E. U.	GROUPE SEB USA 2121 Eden Road Millville, NJ 08332
	1-800-418-3325		(01800) 112 83 25		800-526-5377



: www.krups.com

ÍNDICE

INSTRUCCIONES DE SEGURIDAD	P. 31
DESCRIPCIÓN DE LA LICUADORA.....	P. 34
USO DEL ARTEFACTO	P. 34
INSTRUCCIONES IMPORTANTES.....	P. 37
LIMPIEZA.....	P. 38
SOLUCIÓN DE PROBLEMAS	P. 39
PRODUCTO ELÉCTRICO O ELECTRÓNICO AL FINAL DE SU VIDA ÚTIL:.....	P. 40
GARANTÍA DEL FABRICANTE.....	P. 41

INSTRUCCIONES DE SEGURIDAD

Al utilizar artefactos eléctricos, siempre se deben seguir las precauciones de seguridad básicas para reducir el riesgo de provocar incendios, recibir descargas eléctricas y/o sufrir lesiones personales, entre las que se incluyen:

- Lea atentamente las instrucciones antes de utilizar la licuadora.
- Para evitar el riesgo de recibir una descarga eléctrica, no sumerja la licuadora, su cable de alimentación o clavija en el agua u otros líquidos.
- Es necesario supervisar de cerca cuando se utiliza un artefacto en un lugar donde hay niños.
- Este artefacto no está previsto para que sea usado por los niños.
- Desenchufe el artefacto del tomacorriente cuando no lo esté utilizando, antes de ensamblarlo o desmontarlo y antes de limpiarlo.
- Evite tocar las piezas en movimiento.
- No haga funcionar un artefacto que tenga su cable de alimentación o clavija dañado, o si ha tenido problemas de funcionamiento o éste se ha caído o dañado. Lleve el artefacto al Centro de servicio autorizado más cercano de KRUPS para que lo revisen, reparen o le hagan los ajustes eléctricos o mecánicos necesarios.
- KRUPS no recomienda el uso de accesorios, incluidos los frascos de conserva, ya que pueden provocar lesiones en las personas.
- No utilice la licuadora al aire libre.
- No deje colgando el cable de alimentación sobre el borde de una mesa o mesón.
- Para reducir el riesgo de lesiones graves o daños en la licuadora, no meta sus manos ni utensilios al interior del vaso. Se puede usar una espátula, pero ésta sólo se debe utilizar cuando la licuadora no esté funcionando.

- Las cuchillas son muy filosas. Manipúlelas con mucho cuidado.
- Para reducir el riesgo de lesiones, nunca coloque el ensamblaje de cuchillas sobre la base de la licuadora sin antes ensamblar correctamente el vaso.
- Siempre haga funcionar la licuadora con la tapa bien puesta en su lugar.
- Al licuar líquidos calientes, retire el vaso dosificador (pieza central de la tapa) para permitir que salga el vapor.
- Asegúrese de que el voltaje del artefacto corresponde al suministro eléctrico doméstico.
- Nunca use la licuadora sobre una superficie caliente ni cerca del fuego.
- No ponga ingredientes que midan más de una pulgada (2,54 cm) al interior de la licuadora. Estos pueden atascar las cuchillas o sobrecalentar el motor.
- No utilice el artefacto para otro uso que no sea el previsto.
- No coloque el vaso de la licuadora dentro de un horno de microondas.

GUARDE ESTE INSTRUCTIVO

¡ATENCIÓN!

- Este artefacto es sólo para uso doméstico. Cualquier otro tipo de servicio de mantenimiento y reparación que no sea la limpieza y el mantenimiento que realiza el usuario, debe hacerlo el Departamento de servicio al consumidor autorizado de KRUPS más cercano.
- No sumerja la base en el agua.
- Para reducir el riesgo de provocar un incendio o de recibir descarga eléctrica, no retire la base ni ninguna pieza de su interior. No hay piezas al interior de la base que puedan ser reparadas por el usuario. Las reparaciones sólo deben ser realizadas por un Departamento de servicio al consumidor autorizado de KRUPS.

INSTRUCCIONES DE CABLE CORTO

En relación con el cable de alimentación:

- A.** Se proporciona un cable de alimentación corto para reducir los riesgos que pueden ocasionar el enredarse o tropezarse con un cable más largo.
- B.** Si dispone de un cable de alimentación más largo debe utilizarlo con cuidado.
- C.** Si se usa un cable de extensión largo : (1) éste debe tener una clasificación eléctrica marcada que al menos sea igual a la clasificación eléctrica del artefacto, (2) si el artefacto es del tipo de conexión a tierra, el cable de extensión también debe ser de conexión a tierra y (3) el cable más largo se debe acomodar de modo que no cuelgue desde la superficie donde está colocado el artefacto o donde puede ser jalado por los niños o haya riesgo de tropezar con él.
- D.** Este artefacto tiene una clavija polarizada (una patilla es más ancha que la otra). Como dispositivo de seguridad, esta clavija se enchufará en un tomacorriente polarizado de una sola dirección. Si la clavija no se inserta completamente en el tomacorriente, dé vueltas la clavija. Si sigue sin enchufarse bien, póngase en contacto con un electricista calificado. Bajo ninguna circunstancia modifique la clavija.

DESCRIPCIÓN

- A** Base de metal fundido
- B** Panel de control
 - b1** - Botón de apagado
 - b2** - Velocidad baja
 - b3** - velocidad 1
 - b4** - velocidad 2
 - b5** - velocidad 3
 - b6** - velocidad 4
 - b7** - Función para triturar hielo
 - b8** - Función Vari-Pulse (intermitente)
- C** Dispositivo para guardar el cable
- D** Colocación del vaso de la licuadora
 - d1** - Base del aro bloqueador
 - d2** - Colocación de cuchillas removibles
 - d3** - Empaque
 - d4** - Vaso de cristal graduado de 1.7 Lts (60 onzas)
- E** Tapa del vaso de la licuadora
- F** Tapa dosificadora del vaso de la licuadora, 75ml (2.5 oz)
- G** Accesorio para picar alimentos (disponible en algunos Departamentos de servicio al cliente de KRUPS)

USO DEL ARTEFACTO

- Antes de usar por primera vez el artefacto, lave el vaso, la tapa y la tapa dosificadora de la tapa con agua tibia y jabonosa. Enjuague y seque cuidadosamente. Nunca sumerja la base del artefacto en el agua ni la ponga bajo el chorro de agua.
- El vaso de la licuadora está fabricado de vidrio templado que es resistente a los golpes y rayas. Por este motivo, en el vaso de la licuadora se pueden preparar alimentos tanto calientes como fríos. Sin embargo, al licuar alimentos calientes, asegúrese de que la tapa dosificadora esté siempre suelta para permitir que salga el vapor. Antes de empezar a licuar, siempre verifique que la tapa esté bien puesta en su lugar para evitar lesiones y deje enfriar los líquidos calientes antes de licuar. La temperatura no debe superar los 100°C (212°F)

- Coloque el empaque **(d3)** sobre la base del ensamblaje de cuchillas removibles **(d2)** (**diagrama 1**).
- Presione el ensamblaje de cuchillas **(d2 + d3)** hacia abajo hasta colocarlos dentro de la base del aro bloqueador **(d1)**. Cuando quede bien puesto en su lugar, se escuchará un clic.
- Sostenga el ensamblaje boca abajo (base del aro bloqueador + más ensamblaje de cuchillas + empaque) y colóquelo en el vaso de cristal, el cual también se debe sostener boca abajo (**diagrama 2**). Asegúrese de que las agarraderas de cristal del vaso (tiene dos) calcen perfectamente con las ranuras de la base del aro bloqueador (**diagrama 2**).
- Sostenga firmemente la base del aro bloqueador **(d1)** y dé un cuarto de giro al vaso de cristal para que quede fijo en su lugar (**diagrama 2**). Para su seguridad, el montaje y desmontaje de la base **(d2 + d3)** del vaso **(d4)** sólo se pueden hacer en la posición invertida.
- Coloque el vaso de la licuadora ensamblado **(D)** sobre la base de metal **(A)**. Hay dos posiciones posibles: El asa del vaso puede estar a la derecha o izquierda del panel de control **(B)**. Para su seguridad, la licuadora no empezará a funcionar si no está correctamente ensamblada e instalada sobre la base de metal.
- Coloque los ingredientes que va a licuar dentro del vaso. Respete los siguientes niveles máximos:
 - 1.7 litros (60 oz) para mezclas espesas
 - 1.5 litros (50 oz) para mezclas muy líquidas
 - 6 a 8 cubos grandes de hielo (1/3 litro o 3 tazas máximo) para triturar hielo.
- Inserte la tapa dosificadora en la tapa. Coloque la tapa en el vaso y gírela en sentido contrario a las manecillas del reloj para que quede bien fija en su lugar (**diagrama 3**).
- Enchufe el artefacto Para empezar a licuar, seleccione una función o velocidad. Para dejar de licuar en cualquier momento, presione OFF (Apagado).

Las opciones de velocidad para licuar son Slow (Baja) – 1 – 2 – 3 – 4. (Baja es la velocidad más baja y 4 la más alta).

Parta con la velocidad Slow **(b2)** y luego aumente gradualmente hasta alcanzar la velocidad deseada. Se encenderá el botón con la velocidad seleccionada. Para dejar de licuar en cualquier momento, presione OFF

(la luz indicadora de la velocidad se apagará).



NOTA: La velocidad **Slow** también se puede usar para mezclar ingredientes sólidos que usted no desea licuar, tales como la adición de hojuelas de chocolate o nueces después de licuar una mezcla.

Siempre asegúrese de que la tapa esté herméticamente cerrada mientras usa la licuadora. Para agregar ingredientes mientras licúa, retire con mucho cuidado la tapa dosificadora del centro de la tapa y agregue los ingredientes a través del orificio. Vuelva a colocar la tapa dosificadora después de haber agregado los ingredientes.

Cada vez que detenga el proceso de licuar, desenchufe el artefacto antes de quitar la tapa. Nunca retire el vaso de la licuadora de la base si las cuchillas no se han detenido completamente.

VELOCIDAD: ALIMENTOS SUGERIDOS

- « SLOW » Para licuados de leche o licuados de frutas. Para mezclar bebidas en polvo con agua. Para incorporar ingredientes líquidos, como por ejemplo hacer una mayonesa casera. Para mezclar ingredientes sólidos con un líquido sin licuarlos (por ejemplo, agregar hojuelas de chocolate a una mezcla de panqueques)
- V1 Para mezclar alimentos más blandos, por ejemplo garbanzos, para hacer humus o puré de garbanzos. Para hacer salsas a base de verduras, preparar aderezos para ensaladas.
- V2 Para picar alimentos en pequeñas cantidades, tales como cebollas o nueces, o para moler galletas María.
- V3 Para hacer mezclas para panqueques o waffles (gofres), preparar un guacamole o salsa fresca, puré de frutas o de verduras cocidas.
- V4 Para licuar frutas y verduras crudas y hacer jugos o sopas.

FUNCIÓN VARI-PULSE (INTERMITENTE)

La función Vari-Pulse permite controlar de manera más precisa el grado de la mezcla.

- La función Vari-Pulse se puede seleccionar para cualquier velocidad, desde Slow (Baja) a 4.
- Observe que la función Vari-Pulse no se puede usar con la función Ice Crush (Trituración de hielo), puesto que ya está en una función intermitente.
- Para usar la función Vari-Pulse, presione primero el botón Vari-Pulse. El botón parpadeará, lo que indica que ha sido seleccionado. Luego oprima el botón de la velocidad deseada (seleccione desde Slow – 1 – 2 – 3 – 4) y manténgalo oprimido. El artefacto seguirá funcionando mientras el botón siga estando oprimido, suelte el botón para dejar de licuar.
- Para detener la función Vari-Pulse, oprima OFF (la luz del indicador desaparecerá).
- Cada vez que detenga el proceso de licuar, desenchufe el artefacto antes de quitar la tapa. Nunca retire el vaso de la licuadora de la base hasta que las cuchillas se hayan detenido completamente.

FUNCIÓN DE ICE-CRUSH (TRITURACIÓN DE HIELO)

Esta función está diseñada para triturar el hielo automáticamente en forma intermitente.

- Para triturar hielo, agregue 6 a 8 cubos grandes de hielo (1/3 litro o 3 tazas máximo) en el vaso y cierre fijamente la tapa.
- No es necesario agregar agua.
- Oprima el botón Ice Crush para empezar. Para triturar completamente el hielo, use menos cubos de hielo (el máximo son 6 a 8 cubos de hielo grandes). Cuando el hielo esté triturado, detenga la licuadora oprimiendo OFF.
- Cada vez que detenga el proceso de licuar, desenchufe el artefacto antes de quitar la tapa. Nunca retire el vaso de la licuadora de la base hasta que las cuchillas se hayan detenido completamente.

INSTRUCCIONES IMPORTANTES

- Siempre asegúrese de que la tapa de la licuadora está cerrada herméticamente antes de licuar. Para su seguridad, la licuadora no empezará a funcionar si no está correctamente ensamblada e instalada sobre la base de metal.
- Cada vez que detenga el proceso de licuar, desenchufe el artefacto antes de quitar la tapa. Nunca retire el vaso de la licuadora de la base hasta que las cuchillas se hayan detenido completamente.

- Cuando licúe ingredientes sólidos, córtelos en trozos pequeños (1/2" a 1" (1 a 2,5 cm) de largo) antes de agregarlos al vaso de la licuadora. Cuando licué una mezcla de ingredientes sólidos y líquidos, siempre vierta en el vaso de la licuadora primero los ingredientes líquidos y luego los sólidos.
- Cuando licúe alimentos calientes, siempre asegúrese de que la tapa dosificadora esté suelta para permitir que salga el vapor. Antes de empezar a licuar, siempre verifique que la tapa esté herméticamente cerrada para evitar lesiones y deje enfriar los líquidos antes de procesarlos.
- Para agregar ingredientes mientras licúa, retire con mucho cuidado la tapa dosificadora del centro de la tapa y agregue los ingredientes a través del orificio. Vuelva a colocar la tapa dosificadora después de haber agregado los ingredientes.
- Si desea retirar con una espátula los restos de alimentos que han quedado en el vaso, oprima OFF y desenchufe el artefacto antes de retirar el vaso de la licuadora de la base. Nunca meta las manos en el vaso de la licuadora si éste sigue instalado sobre la base. Abra la tapa y use una espátula de plástico para retirar los restos de alimentos. Las cuchillas que se encuentran en la base del vaso de la licuadora son muy filosas, tenga cuidado al retirar los restos de alimentos del vaso, tratando de no dañar sus herramientas.
- **Nunca** ponga sus manos o dedos dentro del vaso de cristal ni cerca de las cuchillas.
- Siempre empiece a licuar a la velocidad más baja y aumente hasta alcanzar la velocidad deseada.
- Retire el vaso de la licuadora de la base de metal sólo cuando el artefacto se haya detenido completamente.
- Dispositivo para guardar el cable: El cable de alimentación se puede acortar guardándolo en el orificio trasero de la base de metal (**diagrama 4**).

LIMPIEZA

- Siempre apague y desenchufe la licuadora y retire el vaso de la base antes de limpiar.

- Limpie la base de metal con un paño húmedo y seque antes de usar.
- Nunca sumerja la base en el agua ni la coloque bajo el chorro de agua.
- No limpie la base con soluciones químicas o esponjas abrasivas o duras.
- El vaso de la licuadora y la tapa se pueden lavar en el lavavajillas. La tapa de la licuadora se debe lavar sólo en la rejilla superior del lavavajillas para evitar que se deforme
- Cuando lave a mano, use agua tibia y un líquido suave para lavar vajilla.
- Siempre retire el ensamblaje de cuchillas de la base del vaso de la licuadora antes de lavar.
- Para limpiar el ensamblaje de cuchillas, vacíe el vaso y sosténgalo boca abajo, con la base del aro bloqueador arriba, luego suelte la base del aro bloqueador y retire con mucho cuidado el ensamblaje de cuchillas y la empaquetadura de la base del aro bloqueador.



PRECAUCIÓN: TENGA MUCHO CUIDADO CUANDO MANIPULE EL ENSAMBLAJE DE CUCHILLAS. ¡LAS CUCHILLAS SON EXTREMADAMENTE FILOSAS!!

- Lave la base del aro bloqueador, el ensamblaje de cuchillas y la empaquetadura con mucho cuidado con agua tibia y un detergente líquido suave para lavar vajilla, luego seque antes de volver a ensamblar el vaso en la licuadora.

SOLUCIÓN DE PROBLEMAS



Problema:	Causa:	Solución:
La licuadora no funciona	La licuadora está desenchufada.	Enchufe la licuadora.
	El vaso de la licuadora no está correctamente ensamblado o instalado sobre la base.	Confirme que el ensamblaje de cuchillas esté correctamente colocado en el vaso de la licuadora y que el vaso está correctamente instalado sobre la base.

Problema:	Causa:	Solución:
Vibración excesiva	La licuadora está instalada en una superficie inestable.	Colóquela sobre una superficie plana.
	El vaso de la licuadora no está correctamente instalado sobre la base.	Confirme que el vaso está correctamente ensamblado e instalado sobre la base.
El contenido del vaso de la licuadora se escurre por la tapa.	Se excedió la capacidad máxima.	Observe que los niveles máximos son los siguientes: - 1.7 litros (60 oz) para mezclas espesas - 1.5 litros (50 oz) para mezclas muy líquidas - 6 a 8 cubos de hielo para triturar hielo
	La tapa de la licuadora no está herméticamente cerrada.	Antes de licuar, cierre herméticamente la tapa de la licuadora.
Escurrimiento desde la base del vaso de la licuadora.	No se colocó el empaque de silicona o está mal colocado.	Verifique que el empaque está en su lugar y que está correctamente instalada.
	El empaque deformado o dañado.	Reemplace el empaque. Los empaques de repuesto están disponibles en los Centros de servicio al cliente autorizados de KRUPS.
Las cuchillas están atascadas.	Los trozos de alimentos son demasiado grandes o demasiado duros.	Disminuya el tamaño de los trozos de alimentos, licúe en cantidades más pequeñas o licúe con líquidos.

PRODUCTO ELÉCTRICO O ELECTRÓNICO AL FINAL DE SU VIDA ÚTIL:



¡Participe en la conservación del medio ambiente!!

-  Su electrodoméstico contiene materiales recuperables y/o reciclables.
-  Entréguelo al final de su vida útil, en un Centro Específico.

GARANTÍA DEL FABRICANTE



: www.krups.com

**Comprometidos fuertemente con el medio ambiente, la mayoría de los productos Krups son reparables durante y posteriormente al periodo de garantía, Antes de regresar cualquier producto al sitio de venta, por favor llame directamente a servicios al consumidor de Krups, para conocer las opciones de reparación, al número indicado abajo.
Apreciamos su ayuda para preservar el medio ambiente!**

Garantía

Krups garantiza este producto por **2 años** contra cualquier defecto de fabricación tanto en materiales como en mano de obra, a partir de la fecha de compra.

La garantía del fabricante Krups, es un beneficio extra que no afecta los derechos legales del consumidor.

La garantía Krups cubrirá todos los gastos relacionados con la reparación de los productos defectuosos hasta que cumplan con sus especificaciones originales, mediante la reparación o reemplazo de cualquier pieza defectuosa y la mano de obra necesaria para ello. A criterio de Krups, en lugar de la reparación, podría hacer cambio de producto. Incluyendo los gastos de transportación en México razonablemente erogados para el cumplimiento de esta garantía, exclusivamente para aquellos sitios donde no se cuenta con un centro de servicio autorizado. La única obligación de Krups y su exclusiva determinación bajo esta garantía se limita a la reparación o reemplazo del producto.

Condiciones y exclusiones

La garantía Krups, aplica solamente en Estados Unidos de Norteamérica, Canadá y México, y será válida solamente con la presentación del comprobante de compra. El producto puede ser llevado directamente a un centro de servicio autorizado, o debidamente empacado y devuelto, mediante servicio de mensajería autorizada (o servicio de paquetería equivalente), al centro de servicio autorizado de Krups. Detalles y dirección completa de los centros de servicio autorizados de cada país, se encuentran listados en la dirección electrónica de Krups (www.krups.com) o bien llamando al número telefónico de cada país indicado abajo, para solicitar la dirección correspondiente.

Krups no está obligado a reparar o reemplazar ningún producto el cual no sea acompañado de su comprobante de compra.

Esta garantía no cubre ningún daño que pudiera ocurrir como resultado de mal uso, negligencia, o no haber seguido las instrucciones de uso establecidas por Krups, uso de corriente o voltaje diferente al indicado en el producto, o una modificación o reparación no autorizada del mismo. Tampoco cubre el desgaste o deterioro normal del producto, ni el reemplazo de componentes consumibles, ni lo siguiente:

- uso de tipo incorrecto de agua
- sarro (la eliminación de sarro/residuos calcáreos deberá ser llevada a cabo de acuerdo a las instrucciones de uso)
- ingreso de agua, polvo o insectos al interior del producto
- daños mecánicos, sobrecargas
- accidentes incluyendo fuego, inundaciones, rayos, etc
- uso comercial o profesional
- daños en componentes de vidrio o cerámicos en el producto

Esta garantía no aplica a ningún producto si ha sido intervenido, o presenta daños

derivados de uso o cuidado incorrecto, mal empaçado por el propietario o mal manejo por parte del servicio de paquetería.

La garantía Krups, aplica solo a los productos comprados en Estados Unidos de Norteamérica, Canadá y México, cuando un producto es comprado en un país y usado en otro diferente:

- La duración de la garantía Krups es la correspondiente al país donde se utilice el producto, aún cuando la duración de la garantía donde haya sido comprado el producto dentro de los países listados, sea diferente.
- La garantía Krups no aplica en caso de no conformidad del producto comprado con los estándares locales, tales como voltaje, frecuencia, contactos eléctricos, u otras especificaciones técnicas.
- El proceso de reparación de un producto comprado fuera del país de uso, puede necesitar de un tiempo mayor si el producto no es vendido localmente.
- En caso de que el producto no sea reparable en el nuevo país, la garantía Krups se limita al reemplazo por un producto similar, o un producto alternativo de costo similar, dentro de lo posible.

Derechos establecidos por la ley al Consumidor

Esta garantía Krups, no afecta los derechos establecidos por la ley que el consumidor pudiera tener o aquellos derechos que no pueden ser excluidos o limitados, tampoco los derechos contra el distribuidor al que el consumidor le haya comprado el producto. Esta garantía proporciona al consumidor derechos legales específicos, y el consumidor podrá tener también otros derechos legales los cuales varían de Estado a Estado o de País a País o de Provincia a Provincia. El consumidor podrá hacer valer esos derechos a su discreción.

Información adicional

Accesorios, consumibles y piezas reemplazables pueden ser compradas si localmente se encuentran disponibles, como se describe en el sitio de internet de Krups.

CANADA	GROUPE SEB CANADA 345 Passmore Avenue Toronto, ON M1V 3N8	MEXICO	G.S.E.B. MEXICANA, S.A. de C.V. Goldsmith 38 Desp. 401, Col. Polanco Chapultepec Delegacion Miguel Hildalgo 11 560 Mexico D.F.	U.S.A.	GROUPE SEB USA 2121 Eden Road Millville, NJ 08332
	1-800-418-3325		(01800) 112 83 25		800-526-5377



: www.krups.com

FECHA DE COMPRA:

CANADA	GROUPE SEB CANADA 345 Passmore Avenue Toronto, ON M1V 3N8	MEXICO	G.S.E.B. MEXICANA, S.A. de C.V. Goldsmith 38 Desp. 401, Col. Polanco Chapultepec Delegacion Miguel Hidalgo 11 560 Mexico D.F.	U.S.A.	GROUPE SEB USA 2121 Eden Road Millville, NJ 08332
	1-800-418-3325		(01800) 112 83 25		800-526-5377

Free Manuals Download Website

<http://myh66.com>

<http://usermanuals.us>

<http://www.somanuals.com>

<http://www.4manuals.cc>

<http://www.manual-lib.com>

<http://www.404manual.com>

<http://www.luxmanual.com>

<http://aubethermostatmanual.com>

Golf course search by state

<http://golfingnear.com>

Email search by domain

<http://emailbydomain.com>

Auto manuals search

<http://auto.somanuals.com>

TV manuals search

<http://tv.somanuals.com>