



KNIGHT

TRAILER PARTS MANUAL VERTICAL MIXER MODELS 5073, 5085 and 50100

Table Of Contents

Abbreviations	2
Using This Service Parts Listing	3
Body Parts	4
Light Kit.....	5
Wheel and Hub Parts - 5073	6
Undercarriage Parts	7
Input Shaft and Pinion Gear Drive Parts	10
Gearbox.....	11
Auger Drive and Tower Assembly Parts	12
Auger Assembly Parts	16
Door and Cylinder Parts	25
Door and Cylinder Parts 5073-068 and Before	26
Slide Tray Parts	27
4 Auger Discharge Parts	28
Chain and Slat Discharge Parts	30
High-Speed Clean-Out Option	32
High-Speed Clean-Out Option - Gearcase Replacement Parts	34
Selector Valve Option	35
PTO Driveline (1000 RPM - 21 - Spline -1 3/8 Yoke) After S/N 5073-066	36
PTO Driveline (1000 RPM - 21 -Spline-1 3/8 Yoke) Before S/N 5073-065 ..	37
Side Extension Options	39
Decal and Paint List.....	40
Hardware Part Number Listing	41

Catalog Part Number 005907

Unit Serial Number _____

Operator Instruction Manual for this unit: 005893

© Copyright 2004 Kuhn Knight, Inc.

Abbreviations

Assy	Assembly
A/R	As Required
B	Bolt
Brg	Bearing
BSN	Before Serial Number
Btm	Bottom
C-Bolt	Carriage Bolt
Cttr	Cotter
CV	Constant Velocity
Deg	Degree
Dia	Diameter
ea	Each
eq or Equiv	Equivalent
Fln	Flanged Lock Nut
Fw	Flat Washer
Ga	Gauge
Gr or Grd	Grade
Hd	Head
Hfw	Heavy Flat Washer
Hyd	Hydraulic
ID	Inside Diameter
Ill or Illus	Illustration
Ind	Indicator
Jn	Jam Nut
Kw	Keyway
LH	Left Hand
Ln	Lock Nut
Lw	Lock Washer
Mtg Hrd	Mounting Hardware
NC	National Coarse
NF	National Fine
NLA	No Longer Available
NPT	National Pipe Thread
OD	Outside Diameter
Pc(s)	Piece(s)
PD	Pitch Diameter
PHB	Pan head bolt
PTO	Power Takeoff (shaft)
Qty	Quantity
RH	Right Hand
SN	Serial Number
SHCS	Socket Head Cap Screw
Spk, or Spkt or Sprkt	Sprocket
Sq	Square
SS	Stainless Steel
SSB	Stainless Steel Bolt
St	Straight
Std	Standard
STS	Self Tapping Screw
UASN	Used After Serial Number
UBSN	Used Before Serial Number
W	With
W/O	With Out

Using This Service Parts Listing

This listing uses a number indentation system to specify the parts of an assembly. Any number which is indented to the right, indicates that it is a component of the item to the upper left. Example:

Part no	Qty	Description
102-AAA	#	Assembly A
102-BBB	#	Sub-Assembly B (Component of A)
140-xxx	#	Sub-Component of B
140-xxx	#	Sub-Component of B
102-CCC	#	Sub-Assembly C (Component of A)
etc.		

Using this system, the subassemblies and their components are included if an **Assembly** is ordered. Similarly, the components of a subassemblies are included if a subassembly is ordered.

The quantity (Qty) associated with an assembly, represents the number of times an assembly could be shown in the drawing. The subassembly quantity however, is the number of times a subassembly is used to build one assembly. Similarly, the component quantity refers to the number of times a given component is found in one subassembly.

MODEL AND SERIAL NUMBER INFORMATION is located near the front left hand corner (Fig. A). The model number, serial number and part number should be known when asking service personnel for parts.

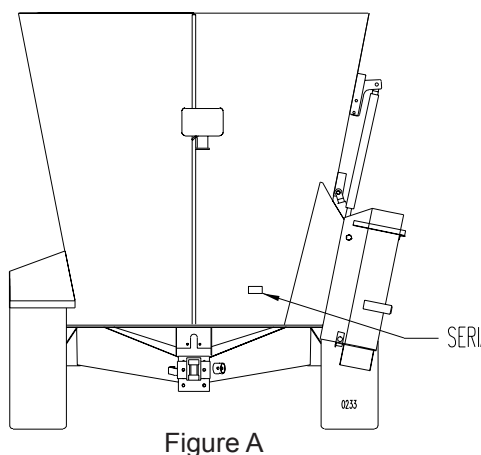


Figure A

The serial number may consist of a number, or a number with a letter prefix. When referring to serial number breaks in the text of this manual, a serial number with a prefix will have been manufactured after a serial number without a prefix (A001 made after 0123). Likewise, a higher prefix letter would indicate manufacture after a lower prefix letter (B001 made after A123). Therefore, if the text refers to units manufactured after serial number B123, this would include "B" series numbers greater than 123, and all numbers with a higher letter prefix.

If you cannot find the part you need, be as descriptive as possible when placing an order:

Sprockets: give the bore size, number of teeth, and size of keyway.

Roller chain: give the size of chain (stamped on the side of each link) and number of links.

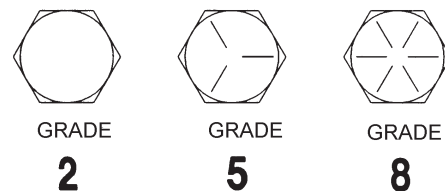
Shafting: give the diameter, length, and quantity and size of keyways.

Hardware is generally not included with parts. If you need any hardware, check the size, the length, and the grade (Fig. B), then check the hardware list in this manual for the part numbers.

All hex head bolts are grade 5, and nuts are grade 5 unless otherwise stated.

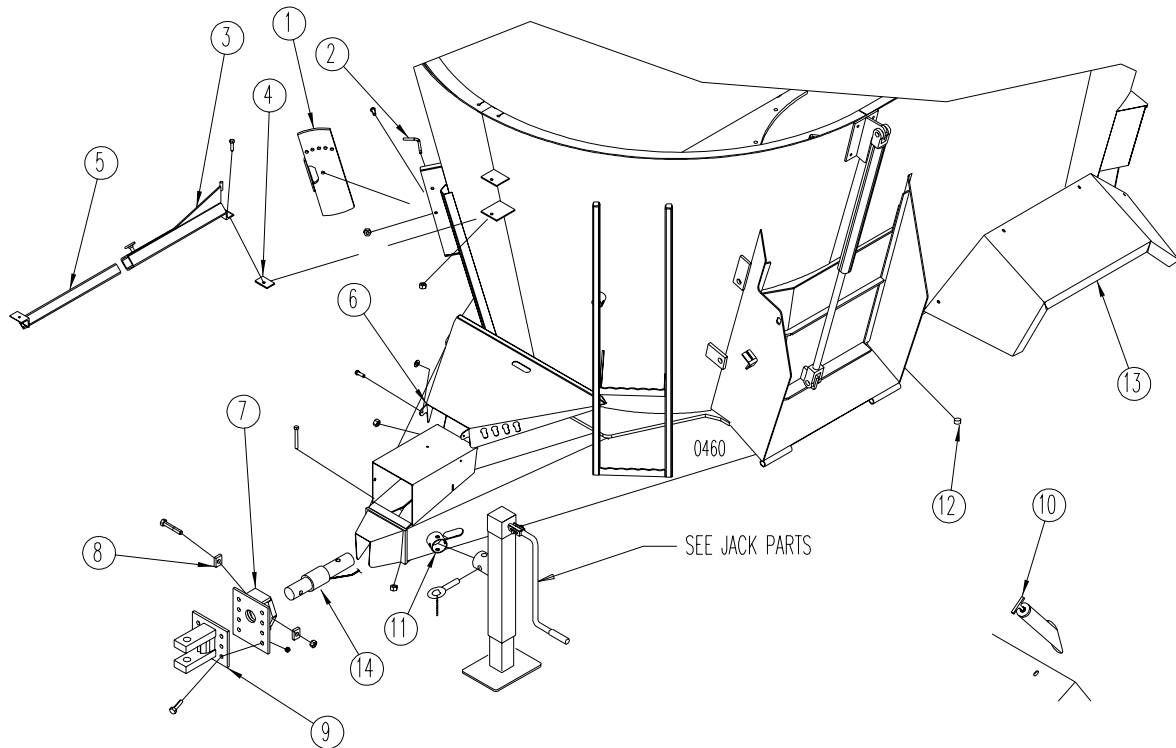
The hardware listing also includes zerks, cotter pins, set screws, and roller chain links.

The illustrations in this manual are meant to be used only as a guide for identifying parts and locating their relative positions.



BOLT HEAD GRADE MARKING

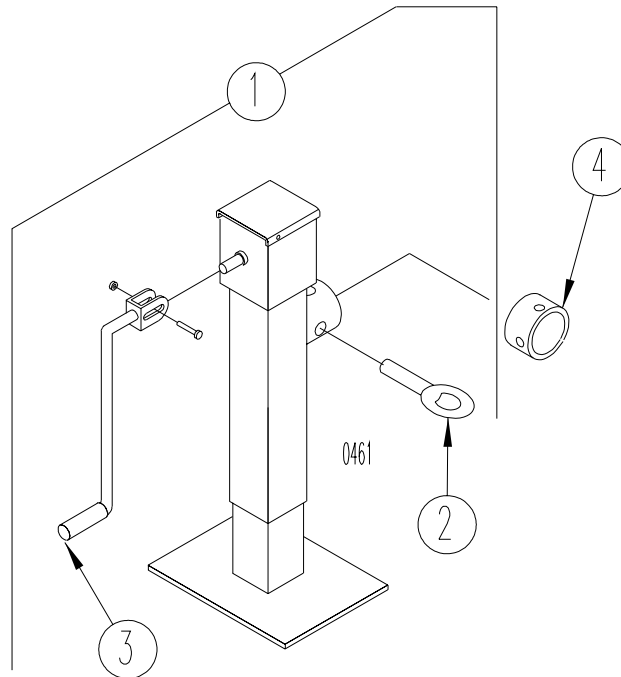
0072

Body Parts**REF PART NO QTY DESCRIPTION**

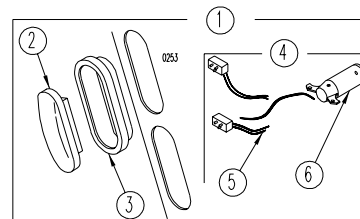
REF	PART NO	QTY	DESCRIPTION
1	103-678	2	Haydog; Mtg. Hrd: 1/2" x 1 3/4"B, LN (1EA)
2	174-765	2	Bent Hitch Pin, 1/2" DIA x 2 1/2"
3	102-437	1	Swing Arm, Outer; Mtg. Hrd: 1/2" x 1 1/2" B, LN,Includes T-bolt
4	136-454	1	Spacer Pad"
5	102-439	1	Swing Arm, Inner
6	141-301	1	Shield, Drive; Mtg Hrd: 5/16" x 1"B, Belleville Washer, LN(2EA) (5073 ONLY)
	141-366	1	Shield, Drive - Front; Mtg Hrd: 3/8" x 1"B, Belleville Washer, LN(2EA) (5085 & 50100 ONLY)
	144-462	1	Shield, Drive - Rear (5085 & 50100 ONLY)
7	103-674	1	Clevis Mount; Mtg. Hrd: 3/4" x 4 1/2" GRD-8 B, LN (5073 ONLY)
8	140-611	2	Clevis, Retainer (5073 ONLY)
9	103-779	1	Clevis; Mtg. Hrd: 3/4" x 2"B, LN (4EA)
10	141-547	1	Dipstick
11	174-839	1	Jack Mount Tube(Weld On)
12	171-919	1	Drain Plug
13	141-297	1	Fender, RH (weld-on) (5073 ONLY)
	141-302	1	Fender, LH (weld-on) (5073 ONLY)
	141-370	2	Fender, dual axle (5085 & 50100 ONLY)
14	174-763	1	Mtg Hrd: 5/16" x 1-1/4" Bolt, FW, LW, and Nut, (8ea) 3/8" Heavy Washer (8ea) Weigh Bar, Hitch, 2-1/2"; Mtg; Hrd: 3/4' x 4 1/2" GRD8 B, LN

Body Parts

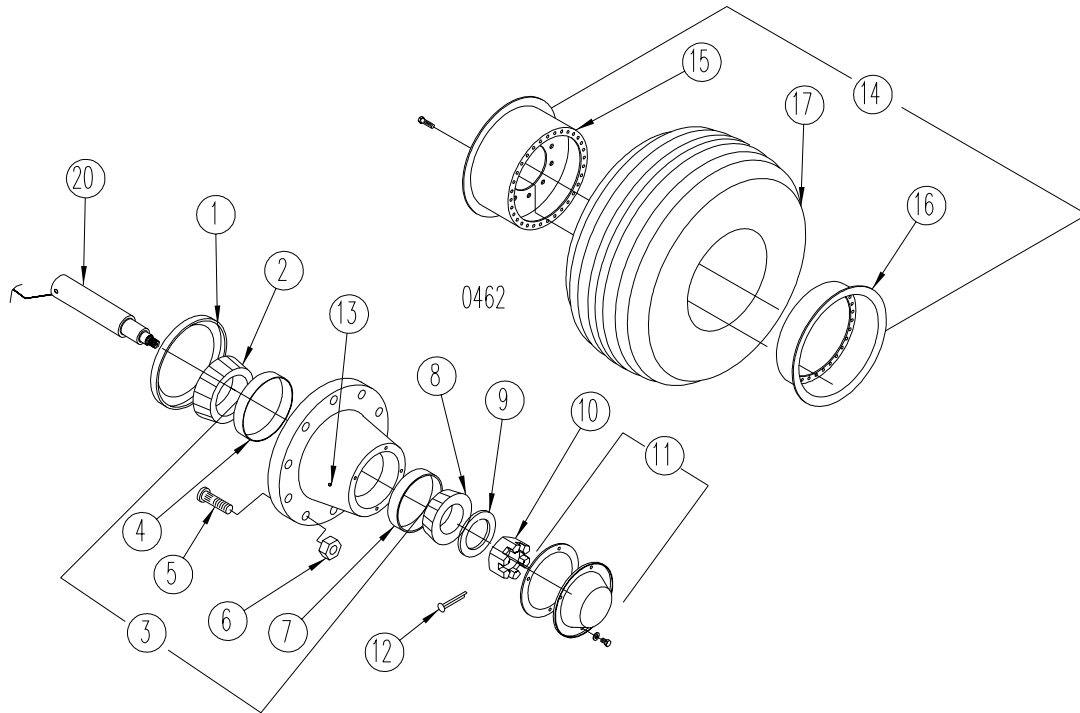
REF	PART NO	QTY	DESCRIPTION
1	174-676	1	Jack, Sidewind 10,000lb
2	174-838	1	Jack Mount Pin (includes "R" clip)
3	174-840	1	Crank Assembly
4	174-839	1	Jack Mount Tube (weld on)

**Light Kit**

REF	PART NO	QTY	DESCRIPTION
1	174-675	1	Light Kit
2	174-673	2	Light, Amber
	174-674	2	Light, Red
3	174-725	4	Grommet
4	174-775	1	Wire Harness
5	174-724	4	Light Connector (pigtail only)
6	172-110	1	7 Pin Connector (SAE J560B)

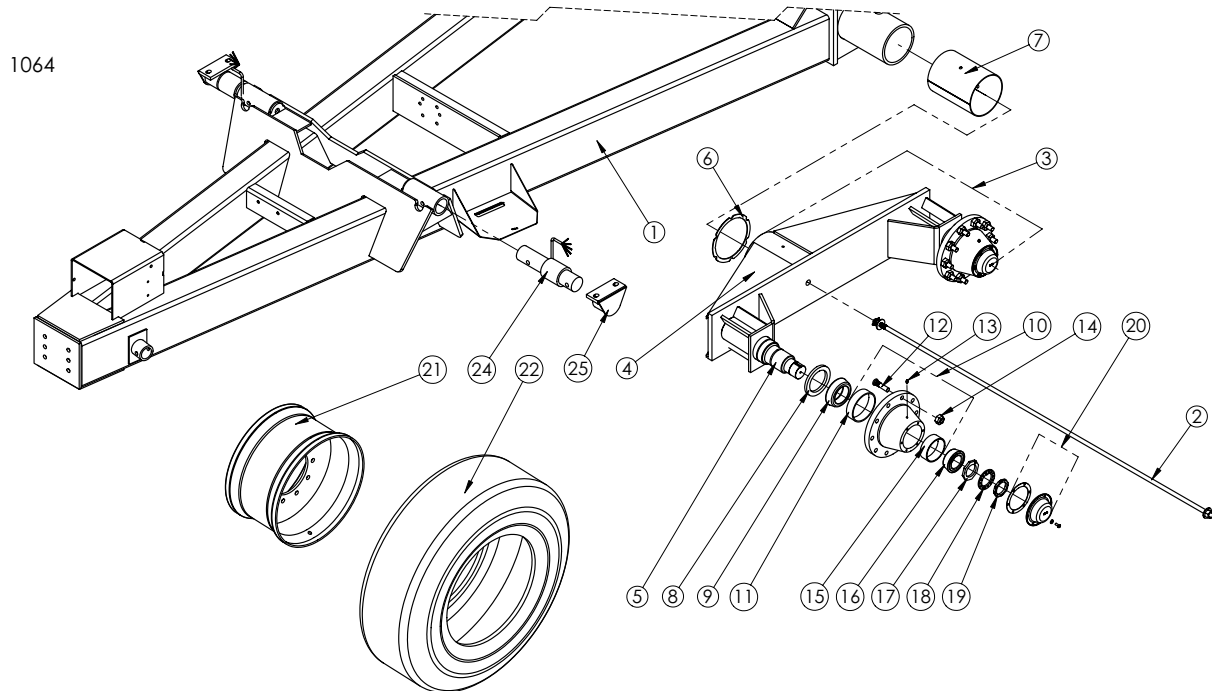


Wheel and Hub Parts - 5073



REF	PART NO	QTY	DESCRIPTION
1	174-755	1	Grease Seal; Transcom #37605SA
2	173-001	1	Bearing Cone; HM218248
3	172-999	1	Hub, Wheel 10 Hole
4	173-031	1	Bearing Race; HM218210
5	174-784	10	Stud, Wheel, 3/4" NF
6	170-920	10	Lug Nut; 3/4" NF
7	173-032	1	Bearing Race; HM212011
8	173-002	1	Bearing Cone; HM212049
9	174-757	1	Washer Spindle 2 1/16" x 4"
10	174-756	1	Nut; Castle
11	173-007	1	Cover; Mtg. Hrd: 5/16" x 3/4"B, LW (4EA)
12	174-804	1	Roll Pin, 3/8" x 3"
13	170-023	1	Grease Fitting 1/4"
14	173-008	2	Wheel and Tire Assy (Aircraft)
15	173-170	1	Wheel Rim (inner); Mtg. Hrd: 1/2" x 1 1/4" B, LN (32EA)
16	173-171	1	Wheel Rim (outer)
17	173-172	1	Tire 44 1/2" x 16 1/2"
18	173-173	1	Inner Tube 44 1/2" x 16 1/2" (not shown)
19	173-174	1	Flap, 44 1/2" x 16 1/2" (not shown)
14	175-331	2	Wheel and Tire Assy 46 x 18 - 20, (neg 2" offset) (Aircraft)
15	175-334	1	Wheel Rim (inner); Mtg. Hrd: 1/2" x 1 1/4" B, LN (32EA)
16	175-333	1	Wheel Rim (outer)
17	175-332	1	Tire, 46" X 18" Aircraft 30 ply
18	175-335	1	Inner Tube 46 x 18 - 20 (not shown)
19	175-336	1	Flap, 46 x 18 - 20 (not shown)
20	174-759	2	Weigh Bar, Spindle, 3-3/4"; Mtg; Hrd: 5/8" x 5 1/2" B, LN

Undercarriage Parts - 5085 and 50100 (S/N 5085-B0001, 50100 C0001 and after)

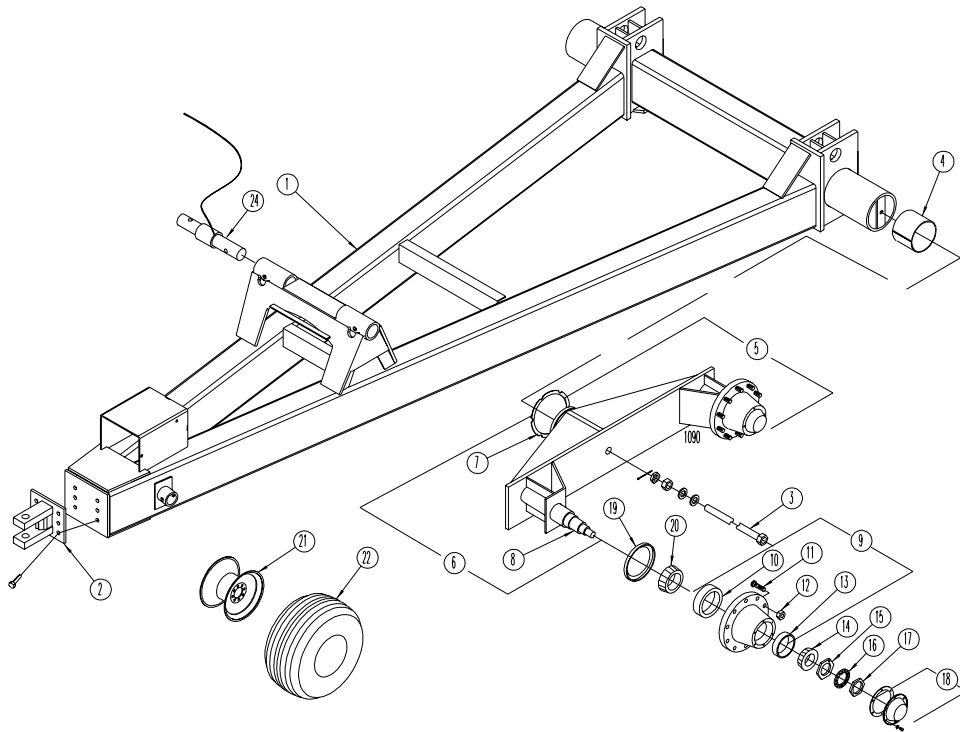


REF	PART NO	QTY	DESCRIPTION
	104-646	1	Undercarriage with Bogies
1	104-559	1	Undercarriage Weldment
2	103-844	1	Tie Rod Assembly
3	103-910	1	RH Bogie Assembly with Hubs
	103-911	1	LH Bogie Assembly with Hubs
4	103-908	1	RH Bogie Weldment (170-865) 1/8" NPT Grease Zerk
	103-909	1	LH Bogie Weldment (170-865) 1/8" NPT Grease Zerk
5	141-569	2	Spindle, 4 1/2" x 18" (Weld On)
6	141-967	1	Spacer (Weld On)
7	141-574	1	Bushing, Bogie Pivot
8	173-006	2	Grease Seal
9	173-001	2	Inside Bearing Cone; HM218248
10	172-999	2	10-Bolt Hub
11	173-031	1	Inside Bearing Race; HM218210
12	174-784	10	Wheel Stud, 3/4"
13	170-023	1	Grease Zerk
14	170-920	10	Wheel Nut, 3/4"
15	173-032	1	Outside Bearing Race; HM212011
16	173-002	2	Outside Bearing Cone; HM212049
17	173-003	2	Spindle Nut, Inner; DANA# M10HM101
18	173-004	2	Lock Washer; DANA# M10HM100
19	173-005	2	Spindle Nut, Outer; DANA# M10HN102
20	173-007	2	Dust Cap Mtg Hrd: 5/16" x 3/4" Bolt (Qty 6)
21	175-174	4	Wheel, 22.5 x 13
22	171-653	4	Tire, 22.5 385-65R
23	174-577	4	Tube, 15R/16.5 (Not Shown)
21	175-177	4	Wheel, 22.5 x 11.75
22	175-178	4	Tire, 22.5 315/80R
23	174-577	4	Tube, 15R/16.5 (Not Shown)
24	174-979	4	Weigh Bar; 2.875"
25	103-845	4	Weigh Bar Mount

Kuhn Knight, Inc.

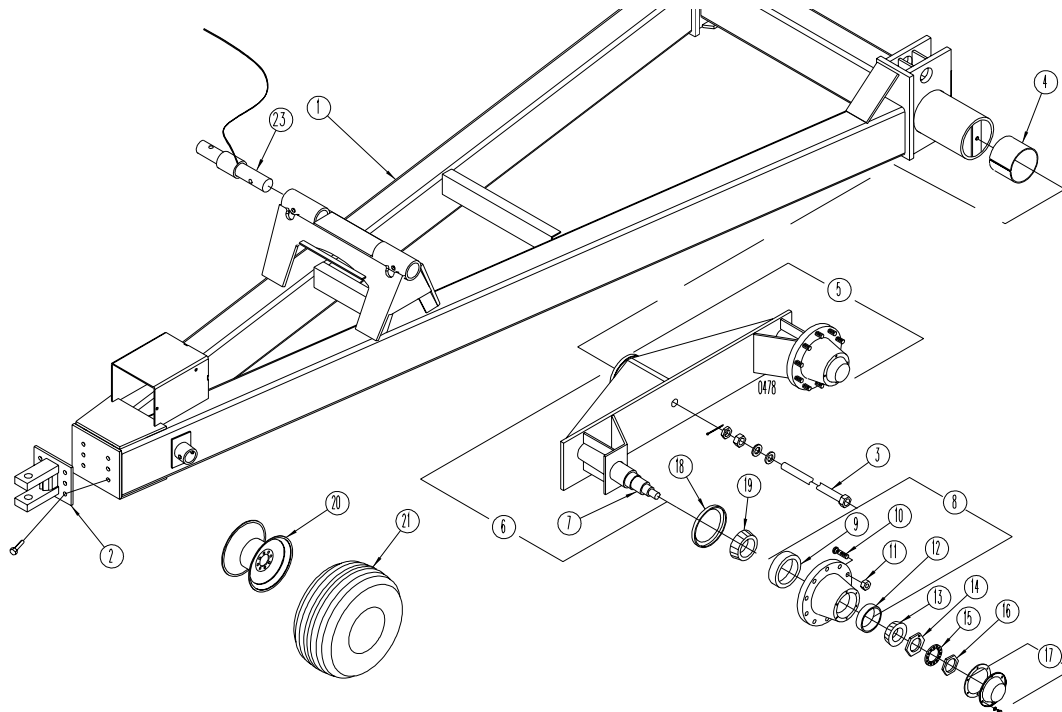
1501 West 7th Ave., Brodhead, WI 53520

701 Cherry Ave., Greeley, CO 80632

Undercarriage Parts - 5085 and 50100**(After S/N 5085-054, 50100-069, Before S/N 5085-B0001, 50100 C0001)**

REF	PART NO	QTY	DESCRIPTION
1	103-906	1	Undercarriage with Bogies
2	103-779	1	Clevis; Mtg Hrd: 3/4" x 4 1/2" GRD-8 B, LN
3	103-844	1	Tie Rod Assembly Mtg Hrd: 3/4" Nut, Jam Nut, (170-236) Cotter Pin (1 ea) & FW (2)
4	141-574	1	Bushing, Bogie Pivot
5	103-911	1	LH Bogie Assembly
	103-910	1	RH Bogie Assembly
6	103-909	1	LH Bogie Weldment (170-865) 1/8" NPT Grease Zerk
	103-908	1	RH Bogie Weldment (170-865) 1/8" NPT Grease Zerk
7	141-967	1	Spacer (Welds to the bogie axle receptical)
8	141-569	2	Spindle, 4 1/2" x 18"
9	172-999	2	10-Bolt Hub
10	173-031	1	Inside Bearing Race; HM218210
11	174-784	10	Wheel Stud, 3/4"
12	170-920	10	Wheel Nut, 3/4"
13	173-032	1	Outside Bearing Race; HM212011
14	173-002	2	Outside Bearing Cone; HM212049
15	173-003	2	Spindle Nut, Inner; DANA# M10HM101
16	173-004	2	Lock Washer; DANA# M10HM100
17	173-005	2	Spindle Nut, Outer; DANA# M10HN102
18	173-007	2	Dust Cap; Mtg Hrd: 5/16" x 3/4" Bolt (Qty 6)
19	173-006	2	Grease Seal
20	173-001	2	Inside Bearing Cone; HM218248
21	175-174	4	Wheel, 22.5 x 13.5 10 Hole, 1.5 Neg Offset
22	171-653	4	Tire, 385-65R Truck Recap w/ Rib Hwy Tread
23	174-577	4	Tube, Tire (not shown)
24	174-979	4	Weigh Bar; 2.875"

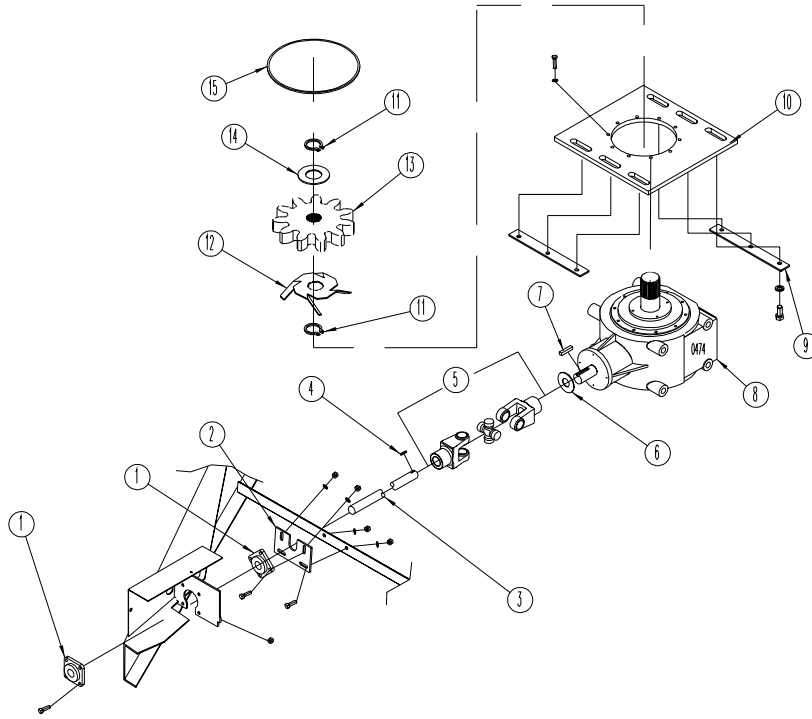
Undercarriage Parts - 5085 and 50100 (Before S/N 5085-055, 50100-070*)



REF	PART NO	QTY	DESCRIPTION
1	103-906	1	Undercarriage with Bogies
2	103-779	1	Clevis; Mtg Hrd: 3/4" x 4 1/2" GRD-8 B, LN
3	103-844	1	Tie Rod Assembly Mtg Hrd: 3/4" Nut, Jam Nut (170-236) Cotter Pin (1 ea) & FW (2)
4	134-843	1	Bushing, Bogie Pivot
5	102-049*	1	LH Bogie Assembly
	102-048*	1	RH Bogie Assembly
6	102-065*	1	LH Bogie Weldment (170-865) 1/8" NPT Grease Zerk
	102-066*	1	RH Bogie Weldment (170-865) 1/8" NPT Grease Zerk
7	134-824	2	Spindle, 3-3/8" x 17-3/4"
8	172-396	2	10-Bolt Hub
9	172-361	1	Inside Bearing Race; HM218210
10	174-784	10	Wheel Stud, 3/4"
11	170-920	10	Wheel Nut, 3/4"
12	170-922	1	Outside Bearing Race; HM212011
13	170-921	2	Outside Bearing Cone; HM212049
14	170-927	2	Spindle Nut, Inner; DANA# M10HM101
15	170-928	2	Lock Washer; DANA# M10HM100
16	173-005	2	Spindle Nut, Outer; DANA# M10HN102
17	170-926	2	Dust Cap; Mtg Hrd: 5/16" x 3/4" Bolt (Qty 6)
18	172-362	2	Grease Seal
19	172-360	2	Inside Bearing Cone; HM218248
20	175-174	4	Wheel, 22.5 x 13.00, 10 Hole, 1.5 Neg Offset
21	171-653	4	Tire, 385-65R Truck Recap w/ Rib Hwy Tread
22	174-577	4	Tube, Tire (not shown)
23	174-979	4	Weigh Bar; 2.875"

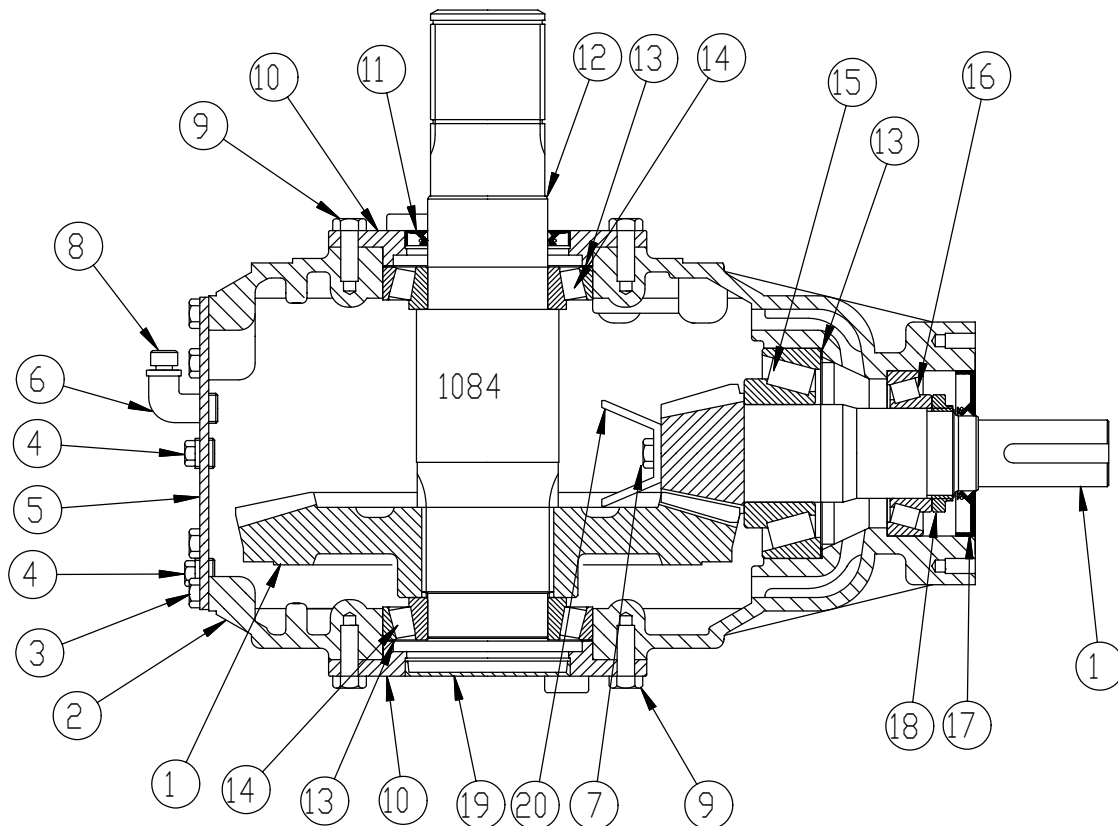
* Used on undercarriages with 6-1/2" diameter axle tubes. Units before 5085-055 and 50100-070 may have been retrofitted. If the axle is 8" in diameter, order replacement parts using page 8.

Input Shaft and Pinion Gear Drive Parts



REF	PART NO	QTY	DESCRIPTION
1	175-079	2	Flange Bearing, Ecc. Lock 1 3/4"; Mtg Hrd: 1/2" x 1 3/4" B, LW, Nut (6EA)(5073 only)
	175-079	3	Flange Bearing, Ecc. Lock 1 3/4"; Mtg Hrd: 1/2" x 1 3/4" B, LW, Nut (6EA)(5085 & 50100 only)
	172-288 ^A	2	Flange Bearing, Ecc. Lock 1 1/2"; Mtg Hrd: 1/2" x 1 3/4" B, LW, Nut (6EA)
2	141-044	1	Bearing Mount Plate; Mtg Hrd: 1/2" x 1 1/4"B,FW,LW,Nut (2EA)(5073 only)
	141-245	1	Bearing Mount Plate; Mtg Hrd: 1/2" x 1 1/4"B,FW,LW,Nut (2EA)(5085 & 50100 only)
3	141-600	1	Shaft; 1 3/4 " x 108 1/2" (5073 only)
	141-495	1	Shaft; 1 3/4 " x 120 13/16" (5085 & 50100 only)
	141-294 ^A	1	Shaft; 1 1/2 " x 108 1/2"
4	170-019	1	Key; 1/2" x 1/2" x 2"
	170-052 ^A	1	Key; 3/8" x 3/8" x 2 1/8"
5	175-082	1	U-Joint Assembly; Mtg Hrd: 1/2" x 5/8" set screw (170-249) (2EA)
	175-124	2	Yoke; 1 3/4", 1/2" KW
	174-909	1	Cross & Bearing Kit
	174-907 ^A	1	U-Joint Assembly
	174-925 ^A	1	Yoke; 1 1/2", 3/8" KW
	175-124 ^A	1	Yoke; 1 3/4", 1/2" KW
	174-909 ^A	1	Cross & Bearing Kit
6	141-136	1	Trash Guard
7	170-019	1	Key; 1/2" x 1/2" x 2"
8	174-873	1	Gearbox; 4 1/4:1 ratio, Mtg Hrd: (174-911) M12 x 45MM B(10EA)
9	141-549	2	Gearbox Spacer
10	140-955	1	Gearbox Mount; Mtg Hrd: 3/4" x 2"B,LW,(6EA)
11	171-934	2	Snap Ring; 3" External, Waldes 5100 Series
12	141-388	1	Oil Slinger; 3"ID (Weld to Pinion Gear)
13	141-291	1	Pinion Gear; 3" ID
14	136-040	AR	Shim; 1/8" x 3" x 4 1/4"
	172-367	AR	Shim; 1/16" x 3" x 4 1/4"
15	141-465	1	O-Ring; 5/16" x 50"

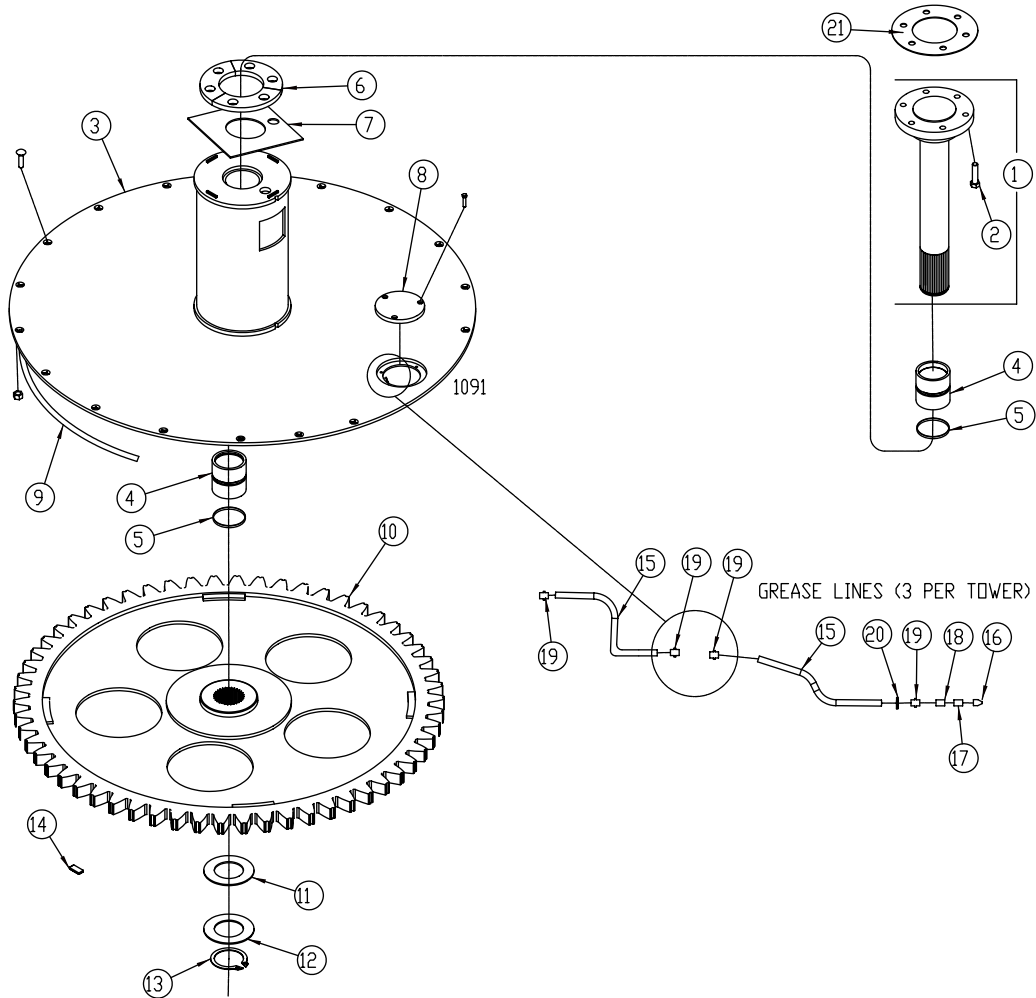
^A Used on Units Before Serial Number (5073-066)

Gearbox

REF	PART NO	QTY	DESCRIPTION
	174-873	1	Gearbox Assembly, 4.25:1
1	175-014	1	Gear, Bevel, Pinion set
2	175-015	1	Casting
3	175-016	10	Bolt, HEXHD, M10 x 22MM 8.8
4	174-904	2	Plug, 1/2" Gas
5	175-017	1	Cover
6	175-018	1	Elbow 90°, 1/2" Gas
7	173-344	1	Bolt, HEXHD, M10 x 25MM 8.8
8	174-905	1	Oil Filler Plug, 1/2" Gas
9	175-020	16	Bolt, HEXHD, M12 x 35MM 8.8
10	175-021	2	Cover
11	175-022	1	Seal, Lip, 80MM x 110MM x 10MM
12	175-023	1	Shaft
13	175-024	3	Shim, 125.5 x 139.5
14	175-025	2	Bearing, 30216
15	175-026	1	Bearing, 32313
16	175-027	1	Bearing, 32212
17	175-028	1	Seal, Oil, 50MM x 110MM x 12MM
18	175-029	1	Nut, M60 x 2MM
19	175-030	1	Cap, 110MM x 10MM
20	175-031	1	Gearcase, Oil Slinger

Auger Drive and Tower Assembly Parts

Serial Number (5073-A0012, 5085-064, 50100-083 and After)



REF	PART NO	QTY*	DESCRIPTION
1	103-985	1	Auger Drive Shaft; 5" Dia
2	174-784	6	Stud, Wheel; 3/4" x 3 1/8"
3	103-981	1	Front Tower; Mtg Hrd: 174-948 Plow Bolt, 3/4" x 2-1/2" (23ea)
	103-982	1	Rear Tower; Mtg Hrd: 174-948 Plow Bolt, 3/4" x 2-1/2" (23ea)
4	141-595	2	Bearing, Plastic; 5"ID x 5"
5	174-980	2	Quad-Ring Seal; 5"ID
6	141-872	3	Thrust Washer
7	141-868	1	Thrust Plate
8	141-048	1	Inspection cover; Mtg Hrd: 5/16" x 3/4" SSB (3EA)
9	171-935	24**	Foam Rubber Seal; 3/8" x 3/4" (48' Total for unit)
10	103-817	1	Bull Gear
11	142-727	AR	Shim (7Ga)
	142-728	AR	Shim (14Ga)
12	174-981	1	Washer; 3/16" x 8" OD x 5 1/16" ID

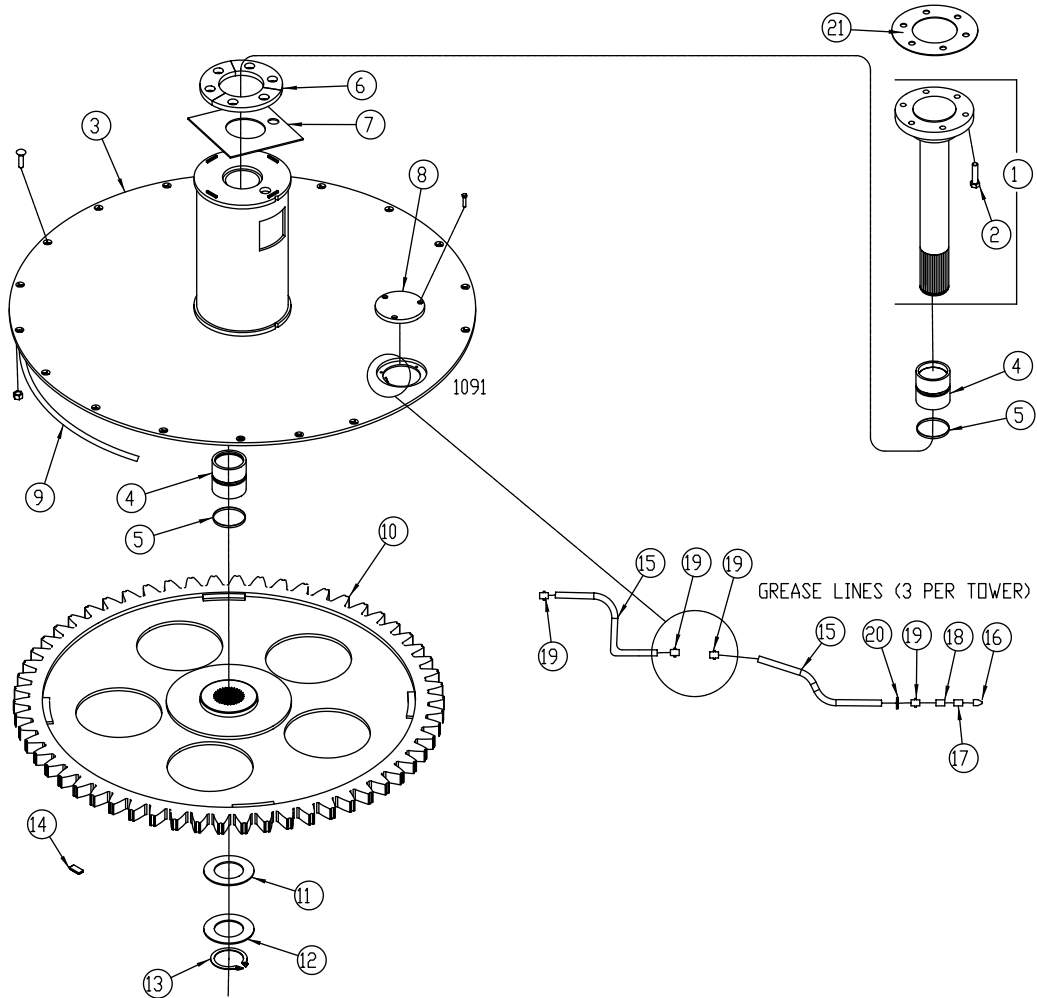
* Quantity shown is for 1 Tower Assembly

** Sold By Linear Foot.

Continued on next page

Auger Drive and Tower Assembly Parts

Used on Units, Serial Number (5073-A0012, 5085-064, 50100-083 and **After**)



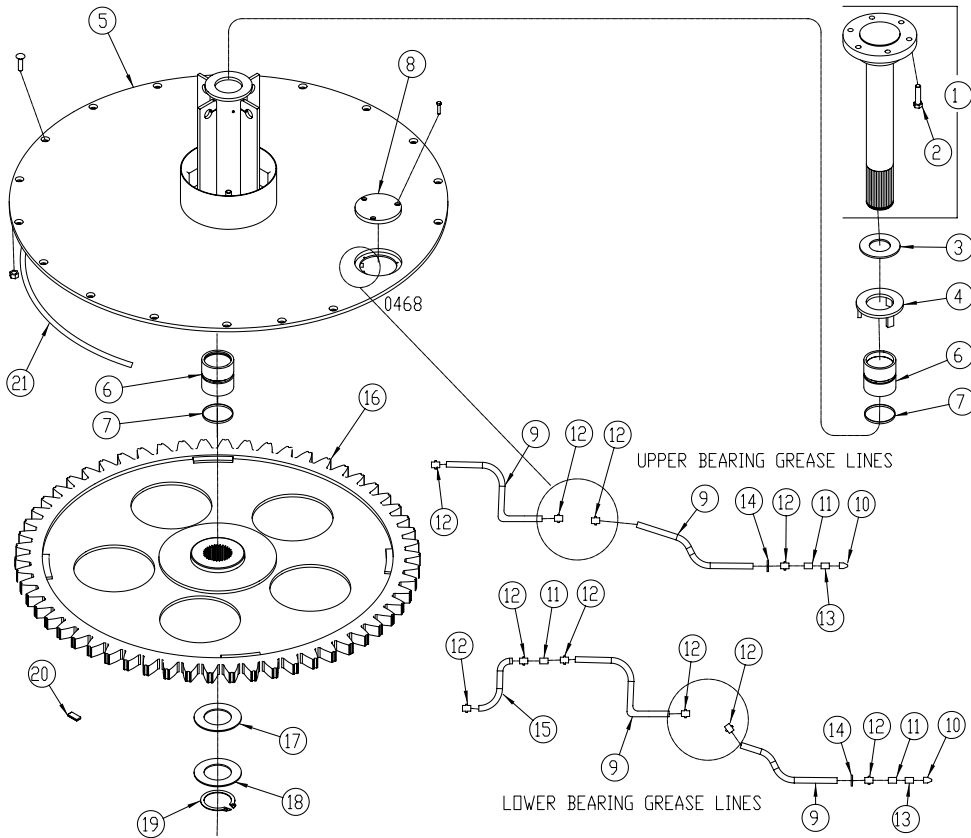
REF	PART NO	QTY*	DESCRIPTION
13	172-289	1	Snap Ring; 5" External, Waldes 5100 series
14	174-769	2	Magnet (4 Total for unit)
15	180-768**		Copper Grease Line 1/4";(Front Upper Plate 87", Front Upper Bearing 87", Front Lower Bearing 84") (Rear Upper Plate 99", Rear Upper Bearing 99", Rear Lower Bearing 96") 46' Total for unit.
16	170-865	3	Grease Zerk 1/8" NPT
17	174-762	3	Pipe Coupling; 1/8" STD NPT (weld on)
18	172-024	3	Straight Adapter; 1/8" NPTF F x 1/8" NPTF F
19	173-583	12	Straight Adapter; 1/4" Tube x 1/8" NPTF M
	175-344	3	Grommet, Rubber; 1" x 1/4" x 1/4"(Not Shown)
20	170-244	3	Washer, 3/8"
21	142-240	A/R	Shim

* Qty shown is for 1 Tower Assembly (3 grease line assemblies per tower)

** Sold By Linear Foot.

Auger Drive and Tower Assembly Parts

Used on Units, Serial Number (5073-A0011, 5085-063, 50100-082 and **Before**)



REF	PART NO	QTY*	DESCRIPTION
1	103-806	1	Auger Drive Shaft; 5" Dia
2	174-784	6	Stud, Wheel; 3/4" x 3 1/8"
3	141-084	1	Thrust Washer, Nylon; 7-3/4" OD x 5-1/16" ID x 3/8"
	300-059	1	Thrust Washer Kit - Retrofit
4	103-820 ^A	1	Thrust Plate
5	103-811	1	Front Tower; Mtg Hrd: 174-948 Plow Bolt, 3/4" x 2 1/2", LN (23EA)
	103-812	1	Rear Tower; Mtg Hrd: 174-948 Plow Bolt, 3/4" x 2 1/2", LN (23EA)
6	141-595	2	Bearing, Plastic; 5"ID x 4 15/16"
	141-046 ^A	2	Bearing, Plastic; 5"ID x 3-11/16"
7	174-980	2	Quad-Ring Seal; 5"ID
8	141-048	1	Inspection cover; Mtg Hrd: 5/16" x 3/4" SSB (3EA)
9	180-768	1	Copper Grease Line, 1/4" (Front Upper Auger 87" Rear Upper Auger 99) (Front Lower Auger 84" Rear Lower Auger 96") 32' Total for unit.
	181-036 ^{**B}	1	Copper Grease Line; 3/16" (Front Upper Auger 87" Rear Upper Auger 99) (Front Lower Auger 84" Rear Lower Auger 96") 32' Total for unit.
10	170-865	2	Grease Zerk 1/8" NPT
11	172-024	3	Straight Adapter; 1/8" NPTF F x 1/8" NPTF F

* Quantity shown is for 1 Tower Assembly

** Sold By Linear Foot.

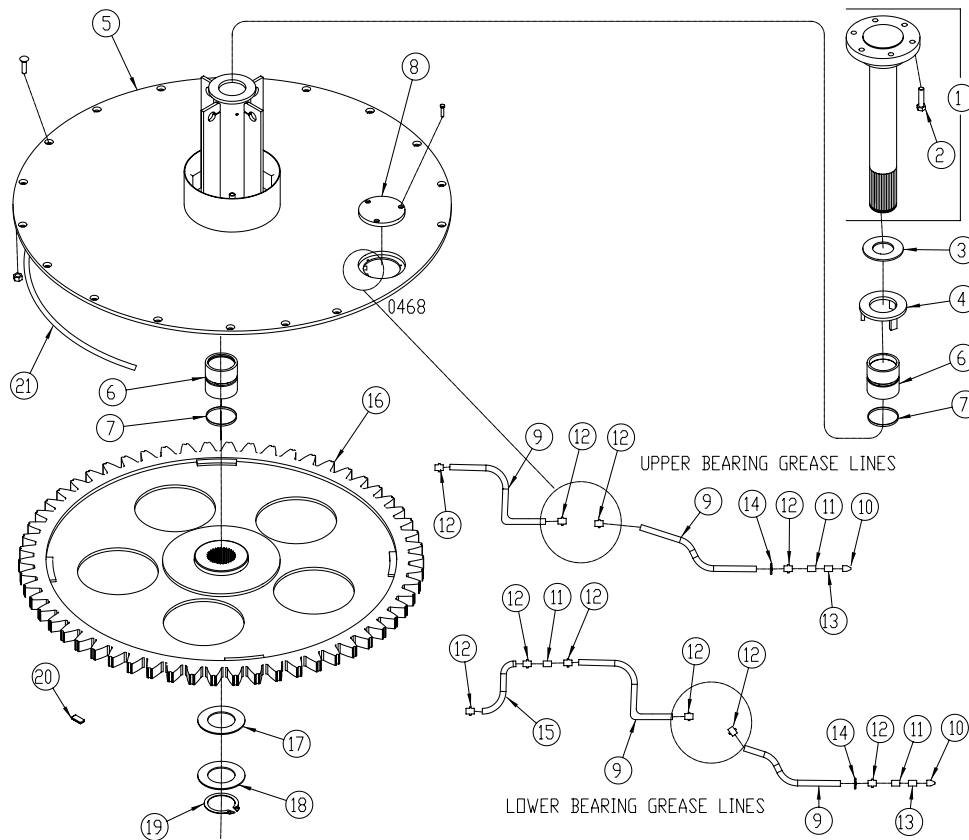
^A Not used in current production. Used on units before Serial number (5073-069, 5085-056, & 50100-072)

^B Used on units S/N 5073-A0026, 5085-A0005 and 50100-A0004.

Continued on next page

Auger Drive and Tower Assembly Parts

Used on Units, Serial Number (5073-A0011, 5085-063, 50100-082 and **Before**)



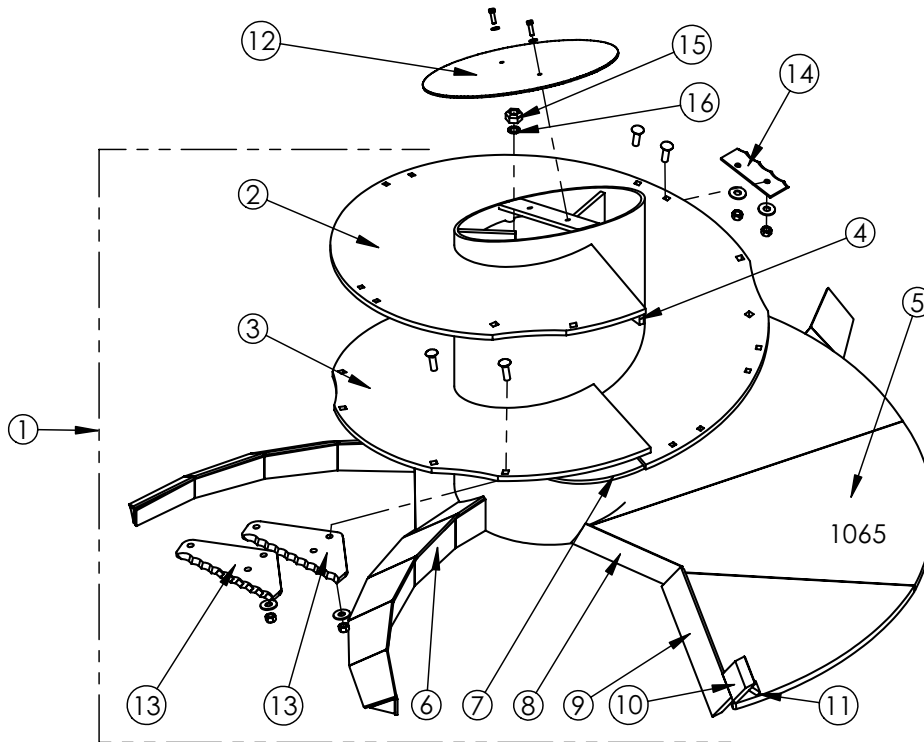
REF	PART NO	QTY*	DESCRIPTION
12	173-583	10	Stratght Adapter; 1/4" Tube x 1/8" NPTF M
	172-822 ^B	10	Straight Adapter; 3/16" Tube x 1/8" NPTF M
	175-344	2	Grommet, Rubber; 1" x 1/4" x 1/4" (Not Shown)
	174-807 ^B	2	Grommet, Rubber; 3/4" x 3/16" x 3/16"(Not Shown)
13	174-762	2	Pipe Coupling; 1/8" STD NPT (weld on)
14	170-244	2	Washer, 3/8"
15	181-048	1 ^{***}	Stainless Steel Line; (24" total)
16	103-817	1	Bull Gear
17	141-115	AR	Shim (1/4")
	141-116	AR	Shim (1/16")
18	174-981	1	Washer; 3/16" x 8" x 5 1/16" ID
19	172-289	1	Snap Ring; 5" External, Waldes 5100 series
20	174-769	2	Magnet (4 total)
21	171-935	24 ^{***}	Foam Rubber Seal; 3/8" x 3/4" (48' total)

* Qty shown is for One Tower Assy.

** Sold By Linear Foot.

Kuhn Knight, Inc.
1501 West 7th Ave., Brodhead, WI 53520
701 Cherry Ave., Greeley, CO 80632

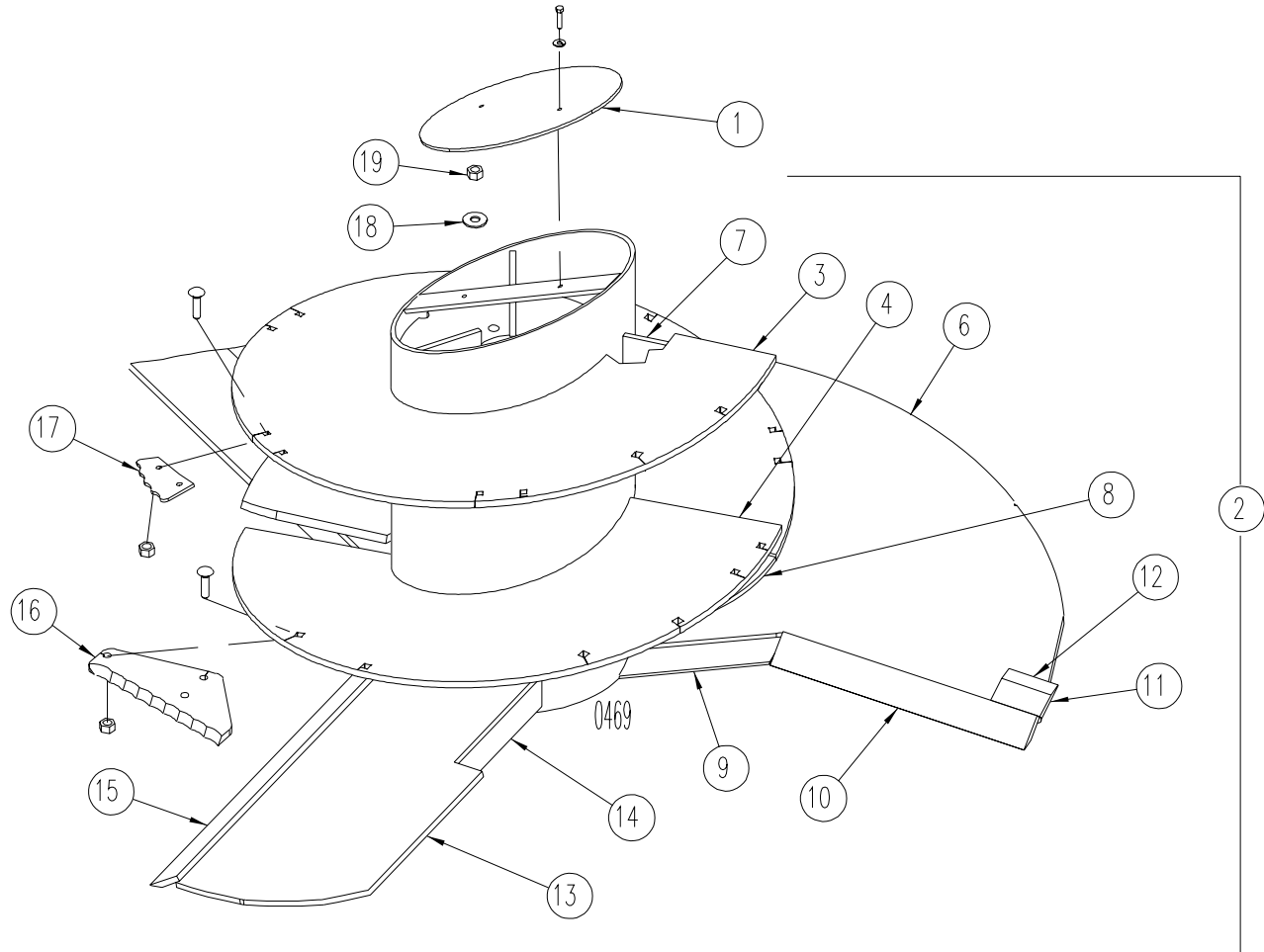
Auger Assembly Parts - 5073 Front (S/N B0001 and After)



REF	PART NO	QTY	DESCRIPTION
1	103-922	1	Auger Assembly, 5073 Front
2	141-156	1	Top Flighting, 46" OD x 20" ID x 5/8" (weld on)
3	141-155	1	Middle Flighting , 46" OD x 20" ID x 5/8" (weld on)
4	141-062	1	Flighting Brace (weld on)
5	141-157	1	Lower Flighting, 69-3/8" x 36-5/16" x 3/4" (weld on)
6	104-640	4	Auger Kicker (weld on)
7	141-066	1	Sharktooth (weld on)
8	141-065	1	Filler Bar (weld on)
9	141-113	1	Leading Edge (weld on)
10	141-063	1	Auxiliary Kicker (weld on)
11	141-134	1	Auxiliary Kicker Brace (weld on)
12	141-064	1	Auger Cover
			Mtg Hrd: 3/8" x 1-1/4" Bolt, Fw
13*	141-114	4	Knife, Serrated (Standard)
			Mtg Hrd: 5/8" x 2" C-Bolt, Fw, Ln (2 ea)
	144-198	4	Knife, Serrated - Carbide Tip (Optional)
			Mtg Hrd: 5/8" x 2" C-Bolt, Fw, Ln (2 ea)
14	141-406	2	Knife, Scalloped (5-MAX QTY)
			Mtg Hrd: 5/8" x 2" C-Bolt, Fw, Ln (2 ea)
15	170-920	6	Nut, Wheel; 3/4"
16	174-793	6	Lock Washer, 3/4", External Tooth

* Maximum of 5 of either knife can be installed.

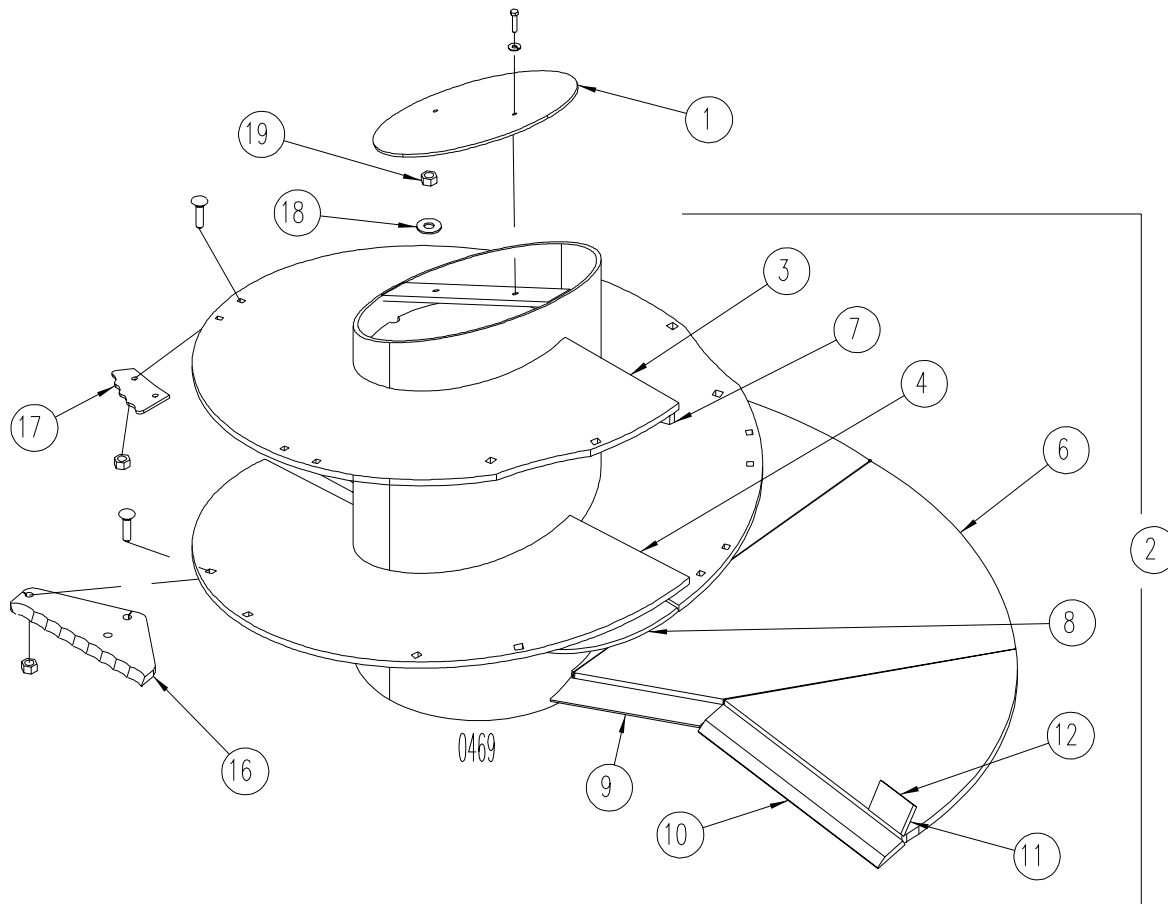
Auger Assembly Parts - 5073 Front (Before S/N B0001*)



REF	PART NO	QTY	DESCRIPTION
1	141-064	1	Auger Cover;Mtg hrd; 3/8" x 1 1/4" SSB, LW(2EA)
2	103-922*	1	Auger Assembly, 5073 Front
3	141-156	1	Top Flighting, 46" OD x 20" ID x 5/8" (weld on)
4	141-155	1	Middle Flighting, 46" OD x 20" ID x 5/8" (weld on)
5	<i>(space intentionally left blank)</i>		
6	141-157	1	Lower Flighting, 69-3/8" x 36-5/16" x 3/4" (weld on)
7	141-062	1	Flighting Brace (weld on)
8	141-066	1	Sharktooth (weld on)
9	141-065	1	Filler Bar (weld on)
10	141-113	1	Leading Edge (weld on)
11	141-063	1	Sweeper Bar (weld on)
12	141-134	1	Sweeper Bar Brace (weld on)(Behind Item 11)
13	141-469	2	Auxiliary Kicker (weld on)
14	141-470	2	Auxiliary Kicker Brace (weld on)
15	141-468	2	Leading Edge, Auxiliary Kicker (weld on)
16	141-114	4	Knife,Serrated (5-MAX QTY) Mtg Hrd: 5/8" x 2" GRD 5 C-bolt, FW, LN (2EA)
17	141-406	2	Knife,Scalloped (5-MAX QTY) Mtg Hrd:1/2" x 1 1/2" GRD 5 C-bolt,LN(2EA)
18	174-793	6	3/4" LW, External Tooth
19	170-920	6	Nut, Wheel; 3/4"

*Orders for new auger assemblies will include the sub-components shown on page 16.

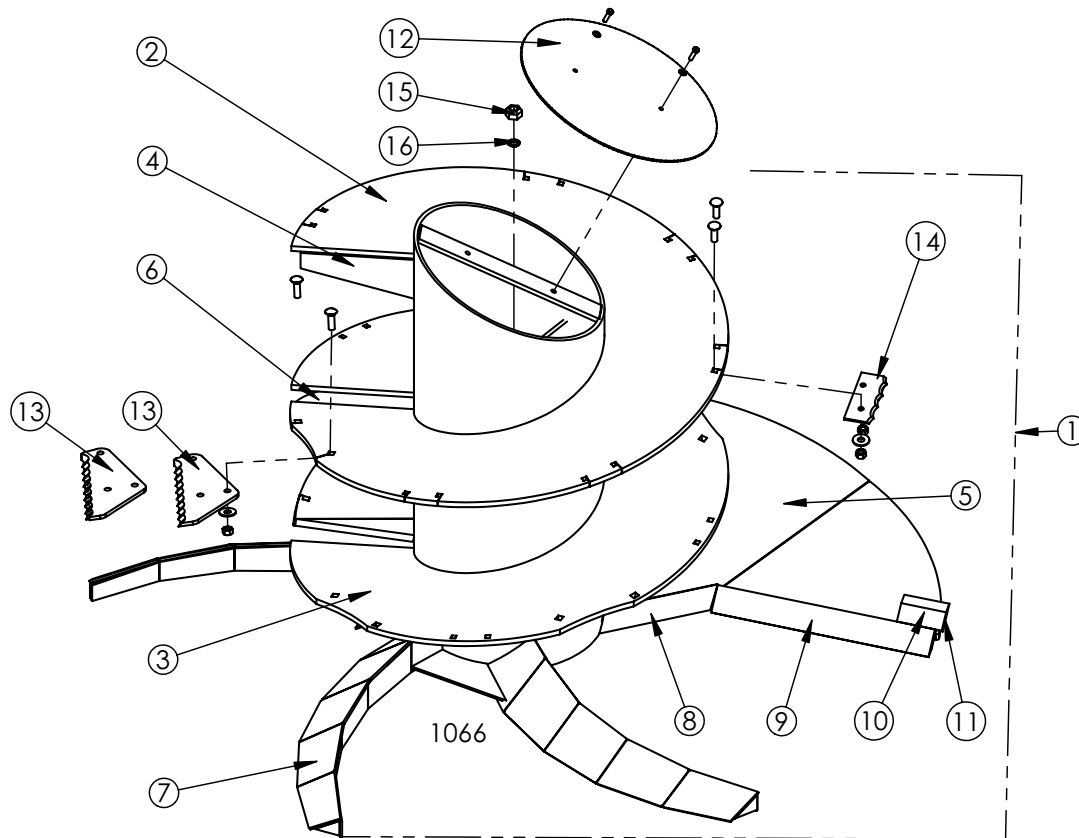
Auger Assembly Parts - 5073 Rear



REF	PART NO	QTY	DESCRIPTION
1	141-064	1	Auger Cover;Mtg hrd; 3/8" x 1 1/4" SSB, LW(2EA)
2	103-925	1	Auger Assembly, 5073 Rear
3	141-156	1	Top Flighting, 46" OD x 20" ID x 5/8" (weld on)
4	141-155	1	Middle Flighting, 46" OD x 20" ID x 5/8" (weld on)
5	<i>(space intentionally left blank)</i>		
6	141-157	1	Lower Flighting, 69-3/8" x 36-5/16" x 3/4" (weld on)
7	141-062	1	Flighting Brace (weld on)
8	141-066	1	Sharktooth (weld on)
9	141-065	1	Filler Bar (weld on)
10	141-113	1	Leading Edge (weld on)
11	141-063	1	Sweeper Bar (weld on)
12	141-134	1	Sweeper Bar Brace (weld on)(Behind Item 11)
13	<i>(space intentionally left blank)</i>		
14	<i>(space intentionally left blank)</i>		
15	<i>(space intentionally left blank)</i>		
16	141-114	4	Knife,Serrated (5-MAX QTY) Mtg Hrd: 5/8" x 2" GRD 5 C-bolt, FW, LN (2EA)
17	141-406	2	Knife,Scalloped (5-MAX QTY) Mtg Hrd:1/2" x 1 1/2" GRD 5 C-bolt,LN(2EA)
18	174-793	6	3/4" LW, External Tooth
19	170-920	6	Nut, Wheel; 3/4"

* 141-114 (knife) replaces knife and backer combination used on previous models.

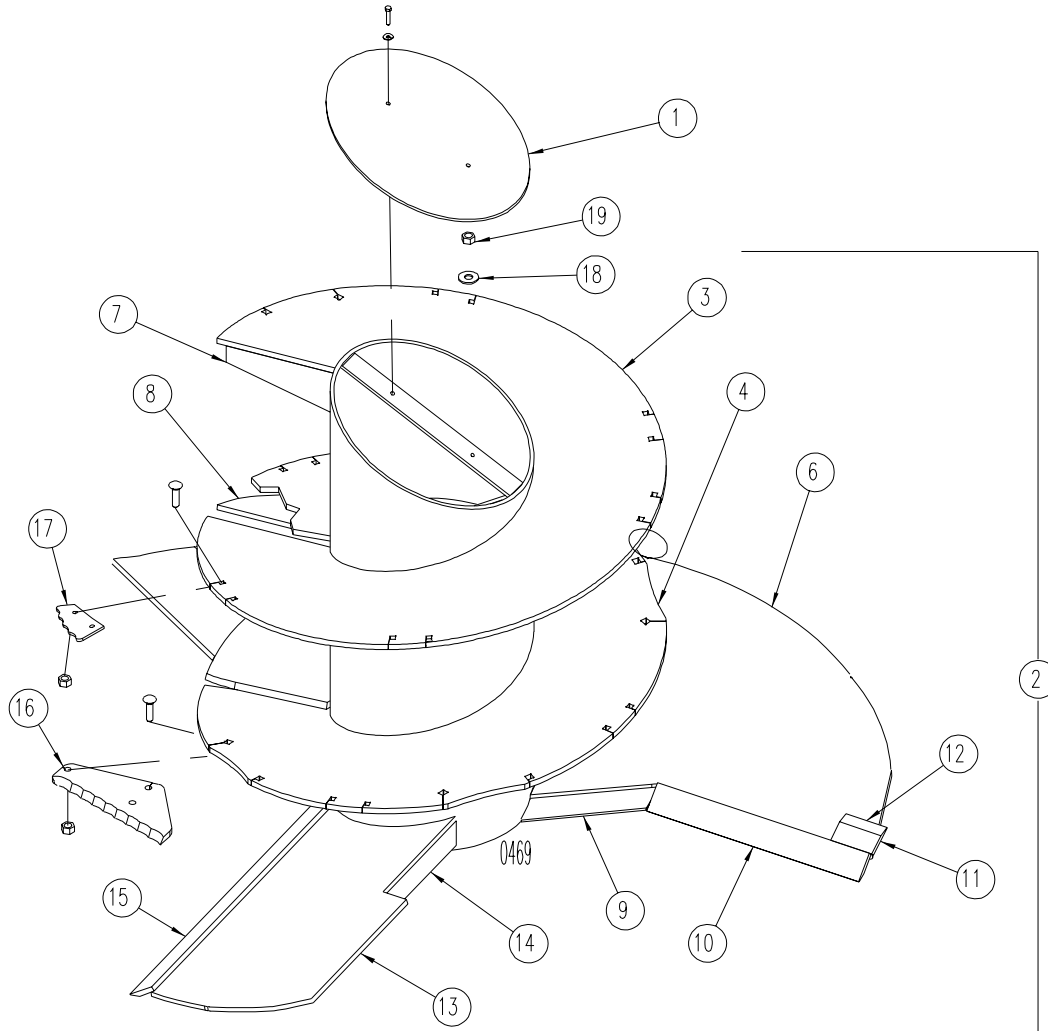
Auger Assembly Parts - 5085 Front (S/N B0001 and After)



REF	PART NO	QTY	DESCRIPTION
1	103-923	1	Auger Assembly, 5085 Front
2	141-287	1	Top Flighting, 46" OD x 20" ID x 5/8" (weld on)
3	141-333	1	Middle Flighting, 46" OD x 20" ID x 5/8" (weld on)
4	141-062	1	Flighting Brace (weld on)
5	141-157	1	Lower Flighting, 69-3/8" x 36-5/16" x 3/4" (weld on)
6	141-066	1	Sharktooth (weld on)
7	104-640	4	Auger Kicker (weld on)
8	141-065	1	Filler Bar (weld on)
9	141-113	1	Leading Edge (weld on)
10	141-063	1	Auxiliary Kicker (weld on)
11	141-134	1	Auxiliary Kicker Brace (weld on)
12	141-064	1	Auger Cover Mtg Hrd: 3/8" x 1-1/4" Bolt, Fw
13*	141-114	5	Knife, Serrated (Standard) Mtg Hrd: 5/8" x 2" C-Bolt, Fw, Ln (2 ea)
	144-198	5	Knife, Serrated - Carbide Tip (Optional) Mtg Hrd: 5/8" x 2" C-Bolt, Fw, Ln (2 ea)
14	141-406	5	Knife, Scalloped (10-MAX QTY) Mtg Hrd: 5/8" x 2" C-Bolt, Fw, Ln (2 ea)
15	170-920	6	Nut, Wheel; 3/4"
16	174-793	6	Lock Washer, 3/4", External Tooth

* Maximum of 6 of either knife can be installed.

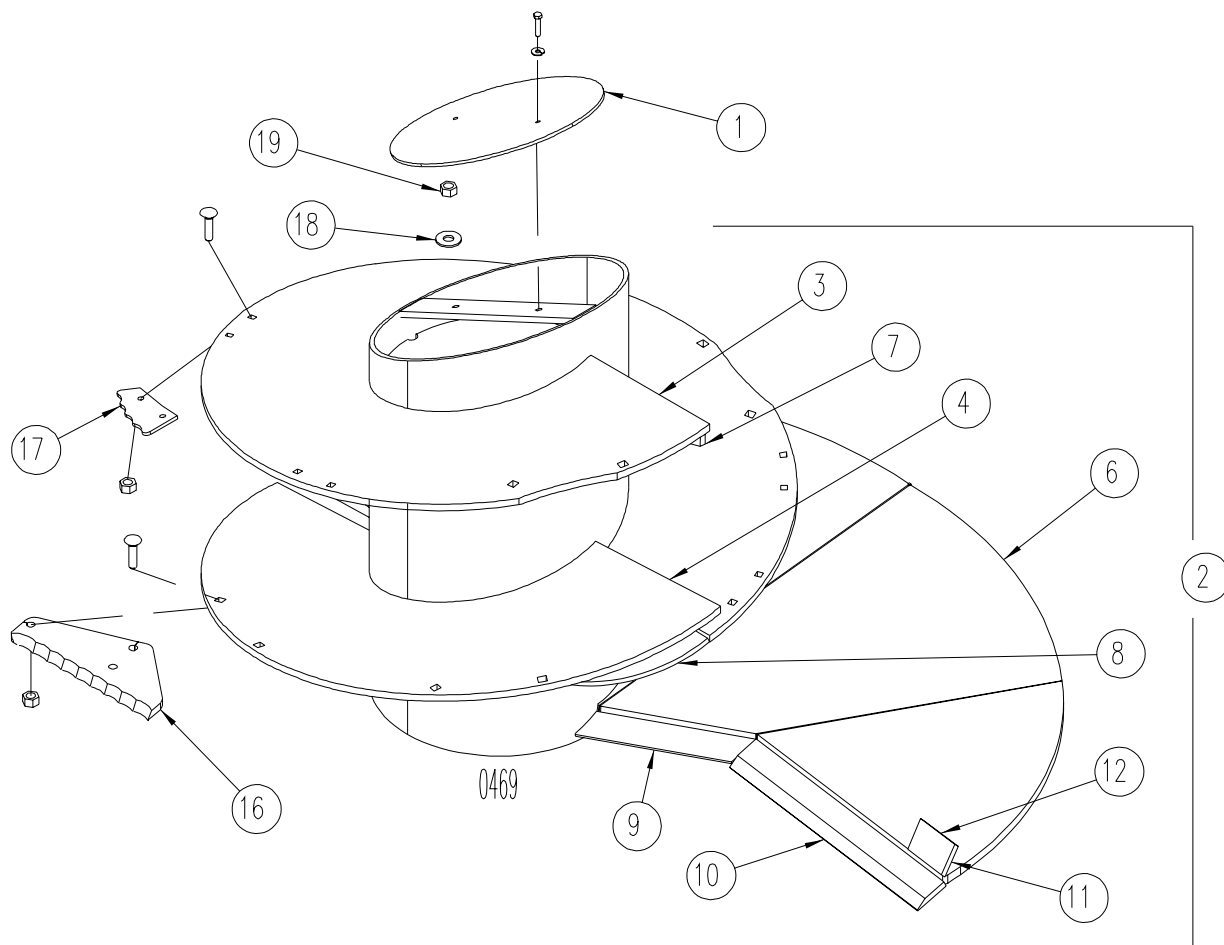
Auger Assembly Parts - 5085 Front (Before S/N B0001*)



REF	PART NO	QTY	DESCRIPTION
1	141-064	1	Auger Cover;Mtg hrd; 3/8" x 1 1/4" SSB, LW(2EA)
2	103-923*	1	Auger Assembly, 5085 Front
3	141-287	1	Top Flighting, 46" OD x 20" ID x 5/8" (weld on)
4	141-333	1	Middle Flighting, 46" OD x 20" ID x 5/8" (weld on)
5	<i>(space intentionally left blank)</i>		
6	141-157	1	Lower Flighting, 69-3/8" x 36-5/16" x 3/4" (weld on)
7	141-062	1	Flighting Brace (weld on)
8	141-066	1	Sharktooth (weld on)
9	141-065	1	Filler Bar (weld on)
10	141-113	1	Leading Edge (weld on)
11	141-063	1	Sweeper Bar (weld on)
12	141-134	1	Sweeper Bar Brace (weld on)(Behind Item 11)
13	141-469	2	Auxiliary Kicker (weld on)
14	141-470	2	Auxiliary Kicker Brace (weld on)
15	141-468	2	Leading Edge, Auxiliary Kicker (weld on)
16	141-114	4	Knife,Serrated (5-MAX QTY) Mtg Hrd: 5/8" x 2"B, FW, LN (2EA)
17	141-406	5	Knife,Scalloped (10-MAX QTY) Mtg Hrd:1/2" x 1 1/2" GRD 5 C-bolt,LN(2EA)
18	174-793	6	3/4" LW, External Tooth
19	170-920	6	Nut, Wheel; 3/4"

*Orders for new auger assemblies will include the sub-components shown on page 19.

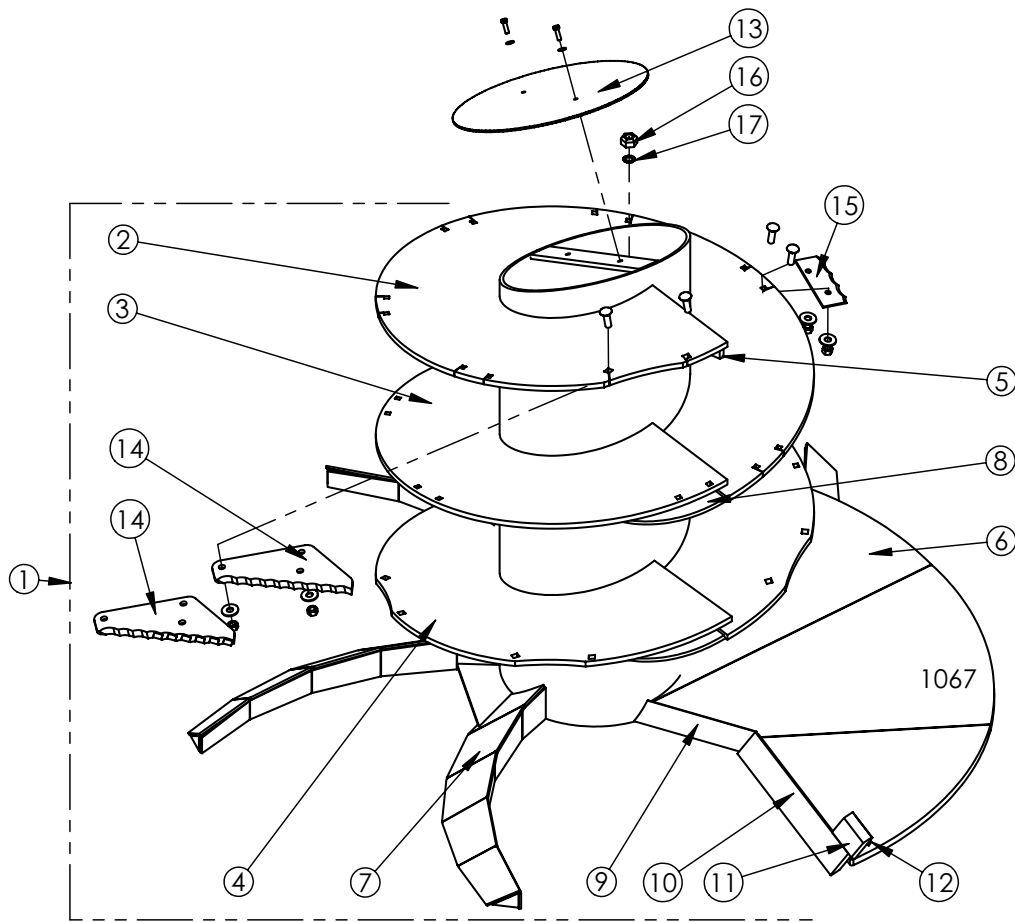
AugerAssembly Parts - 5085 Rear



REF	PART NO	QTY	DESCRIPTION
1	141-064	1	Auger Cover;Mtg hrd; 3/8" x 1 1/4" SSB, LW(2EA)
2	103-926	1	Auger Assembly, 5085 Rear
3	141-287	1	Top Flighting, 46" OD x 20" ID x 5/8" (weld on)
4	141-333	1	Middle Flighting, 46" OD x 20" ID x 5/8" (weld on)
5	<i>(space intentionally left blank)</i>		
6	141-157	1	Lower Flighting, 69-3/8" x 36-5/16" x 3/4" (weld on)
7	141-062	1	Flighting Brace (weld on)
8	141-066	1	Sharktooth (weld on)
9	141-065	1	Filler Bar (weld on)
10	141-113	1	Leading Edge (weld on)
11	141-063	1	Sweeper Bar (weld on)
12	141-134	1	Sweeper Bar Brace (weld on)(Behind Item 11)
13	<i>(space intentionally left blank)</i>		
14	<i>(space intentionally left blank)</i>		
15	<i>(space intentionally left blank)</i>		
16	141-114	4	Knife,Serrated (5-MAX QTY) Mtg Hrd: 5/8" x 2" GRD 5 C-bolt, FW, LN (2EA)
17	141-406	5	Knife,Scalloped (10-MAX QTY) Mtg Hrd:1/2" x 1 1/2" GRD 5 C-bolt,LN(2EA)
18	174-793	6	3/4" LW, External Tooth
19	170-920	6	Nut, Wheel; 3/4"

* 141-114 (knife) replaces knife and backer combination used on previous models.

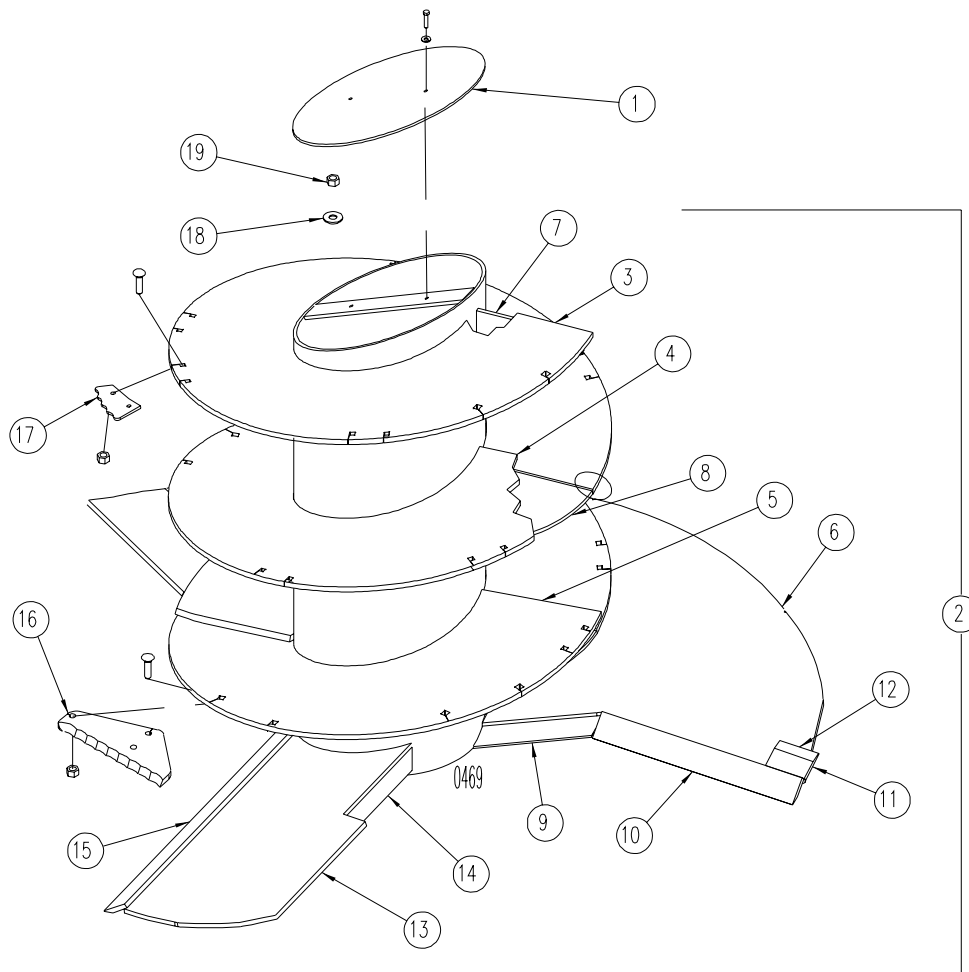
Auger Assembly Parts - 50100 Front (S/N C0001 and After)



REF	PART NO	QTY	DESCRIPTION
1	103-924	1	Auger Assembly, 50100 Front
2	141-287	1	Top Flighting, 46" OD x 20" ID x 5/8" (weld on)
3	141-286	1	Middle Flighting, 46" OD x 20" ID x 5/8" (weld on) (top)
4	141-155	1	Middle Flighting, 46" OD x 20" ID x 5/8" (weld on) (bottom)
5	141-062	1	Flighting Brace (weld on)
6	141-157	1	Lower Flighting, 69-3/8" x 36-5/16" x 3/4" (weld on)
7	104-640	4	Auger Kicker (weld on)
8	141-066	2	Sharktooth (weld on)
9	141-065	1	Filler Bar (weld on)
10	141-113	1	Leading Edge (weld on)
11	141-063	1	Auxiliary Kicker (weld on)
12	141-134	1	Auxiliary Kicker Brace (weld on)
13	141-064	1	Auger Cover Mtg Hrd: 3/8" x 1-1/4" Bolt, Fw
14*	141-114	5	Knife, Serrated (Standard) Mtg Hrd: 5/8" x 2" C-Bolt, Fw, Ln (2 ea)
	144-198	5	Knife, Serrated - Carbide Tip (Optional) Mtg Hrd: 5/8" x 2" C-Bolt, Fw, Ln (2 ea)
15	141-406	5	Knife, Scalloped (10-MAX QTY) Mtg Hrd: 5/8" x 2" C-Bolt, Fw, Ln (2 ea)
16	170-920	6	Nut, Wheel; 3/4"
17	174-793	6	Lock Washer, 3/4", External Tooth

* Maximum of 6 of either knife can be installed.

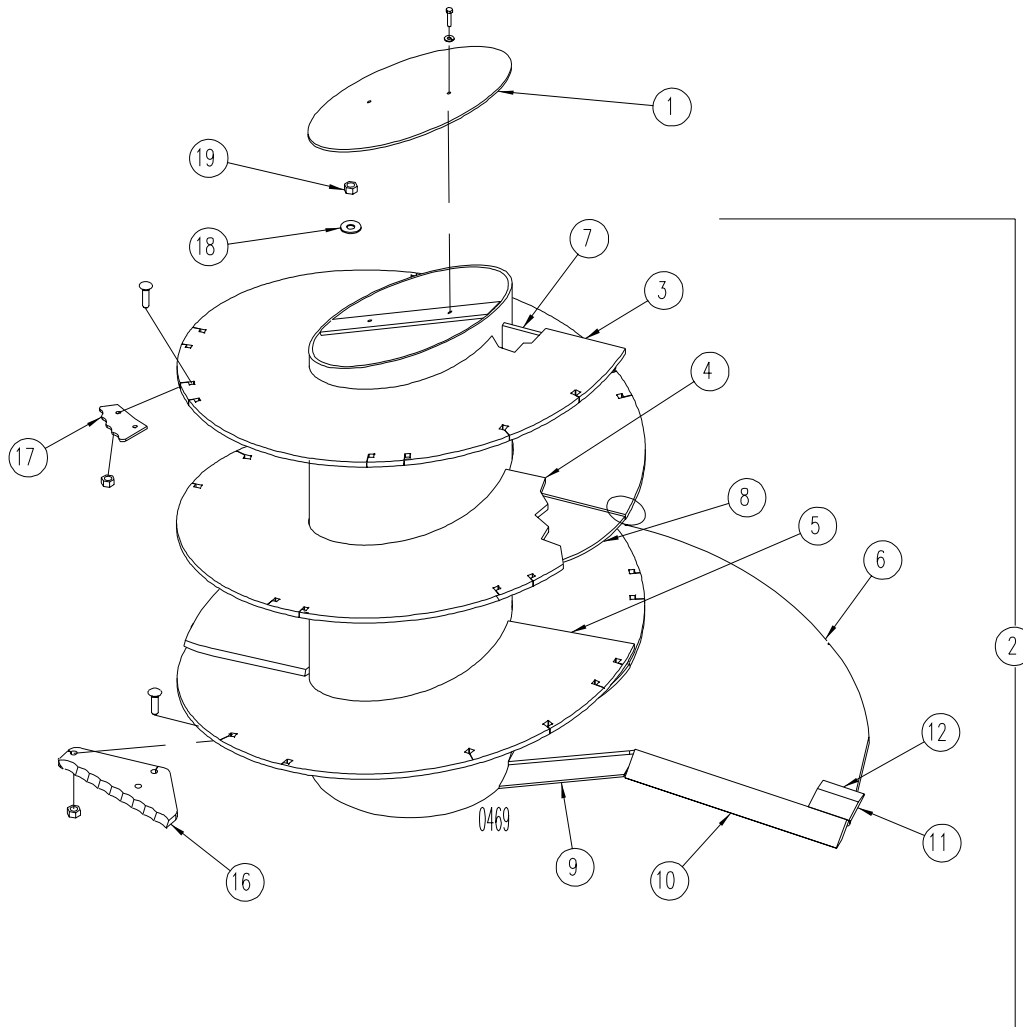
Auger Assembly Parts - 50100 Front (Before S/N C0001*)



REF	PART NO	QTY	DESCRIPTION
1	141-064	1	Auger Cover;Mtg hrd; 3/8" x 1 1/4" SSB, LW(2EA)
2	103-924*	1	Auger Assembly, 50100 Front
3	141-287	1	Top Flighting, 46" OD x 20" ID x 5/8" (weld on)
4	141-286	1	Middle Flighting, 46" OD x 20" ID x 5/8" (weld on) (top)
5	141-155	1	Middle Flighting, 46" OD x 20" ID x 5/8" (weld on) (bottom)
6	141-157	1	Lower Flighting, 69-3/8" x 36-5/16" x 3/4" (weld on)
7	141-062	1	Flighting Brace (weld on)
8	141-066	2	Sharktooth (weld on)
9	141-065	1	Filler Bar (weld on)
10	141-113	1	Leading Edge (weld on)
11	141-063	1	Sweeper Bar (weld on)
12	141-134	1	Sweeper Bar Brace (weld on)(Behind Item 11)
13	141-469	2	Auxiliary Kicker (weld on)
14	141-470	2	Auxiliary Kicker Brace (weld on)
15	141-468	2	Leading Edge, Auxiliary Kicker (weld on)
16	141-114	5	Knife,Serrated (6-MAX QTY) Mtg Hrd: 5/8" x 2" GRD 5 C-bolt, FW, LN (2EA)
17	141-406	5	Knife,Scalloped (10-MAX QTY) Mtg Hrd:1/2" x 1 1/2" GRD 5 C-bolt,LN(2EA)
18	174-793	6	3/4" LW, External Tooth
19	170-920	6	Nut, Wheel; 3/4"

*Orders for new auger assemblies will include the sub-components shown on page 22.

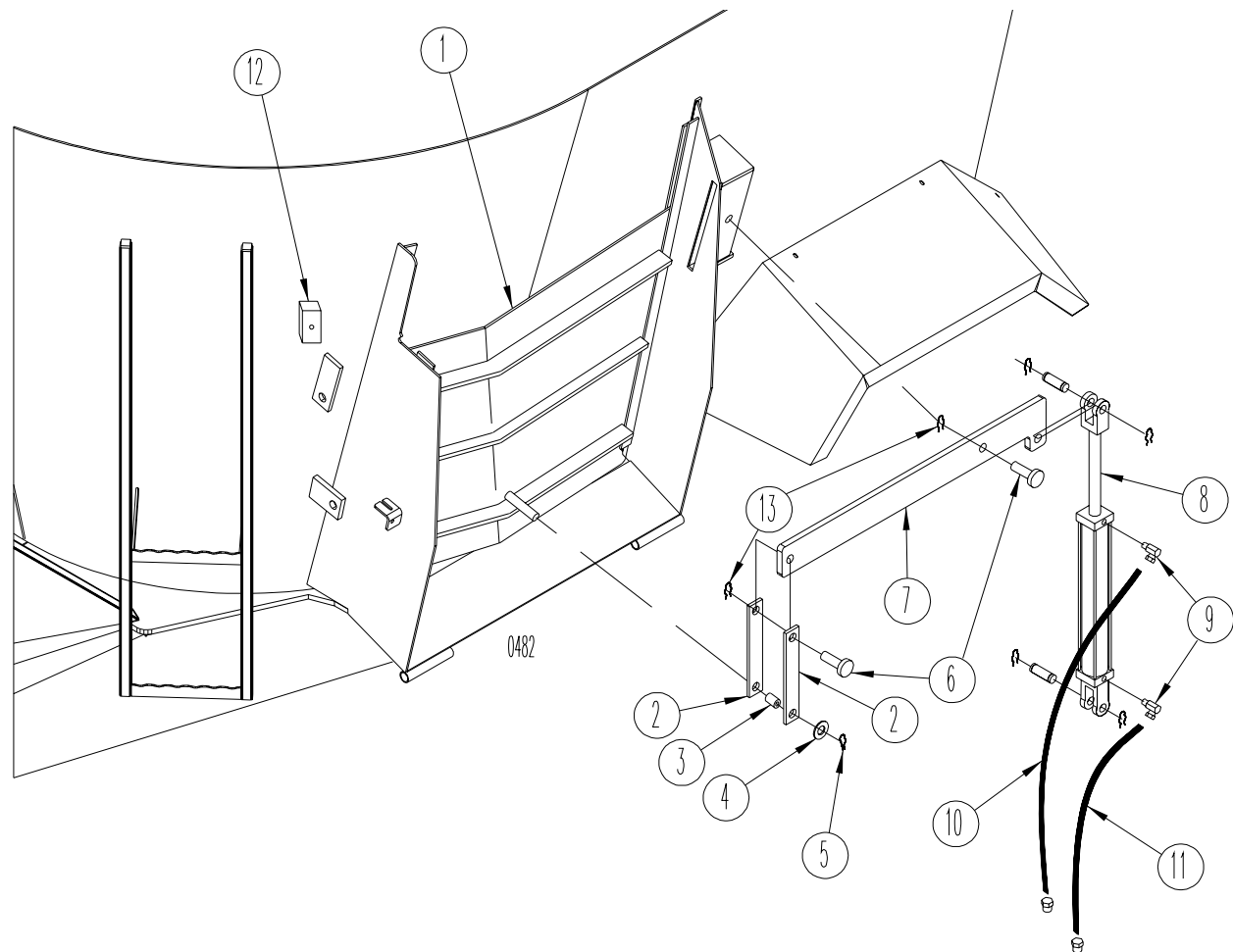
Auger Assembly Parts - 50100 Rear



REF	PART NO	QTY	DESCRIPTION
1	141-064	1	Auger Cover;Mtg hrd; 3/8" x 1 1/4" SSB, LW(2EA)
2	103-927	1	Auger Assembly, 50100 Rear
3	141-287	1	Top Flighting, 46" OD x 20" ID x 5/8" (weld on)
4	141-286	1	Middle Flighting, 46" OD x 20" ID x 5/8" (weld on) (top)
5	141-155	1	Middle Flighting, 46" OD x 20" ID x 5/8" (weld on) (bottom)
6	141-157	1	Lower Flighting, 69-3/8" x 36-5/16" x 3/4" (weld on)
7	141-062	1	Flighting Brace (weld on)
8	141-066	2	Sharktooth (weld on)
9	141-065	1	Filler Bar (weld on)
10	141-113	1	Leading Edge (weld on)
11	141-063	1	Sweeper Bar (weld on)
12	141-134	1	Sweeper Bar Brace (weld on)(Behind Item 11)
13	<i>(space intentionally left blank)</i>		
14	<i>(space intentionally left blank)</i>		
15	<i>(space intentionally left blank)</i>		
16	141-114	5	Knife,Serrated (6-MAX QTY) Mtg Hrd: 5/8" x 2" GRD 5 C-bolt, FW, LN (2EA)
17	141-406	5	Knife,Scalloped (10-MAX QTY) Mtg Hrd:1/2" x 1 1/2" GRD 5 C-bolt,LN(2EA)
18	174-793	6	3/4" LW, External Tooth
19	170-920	6	Nut, Wheel; 3/4"

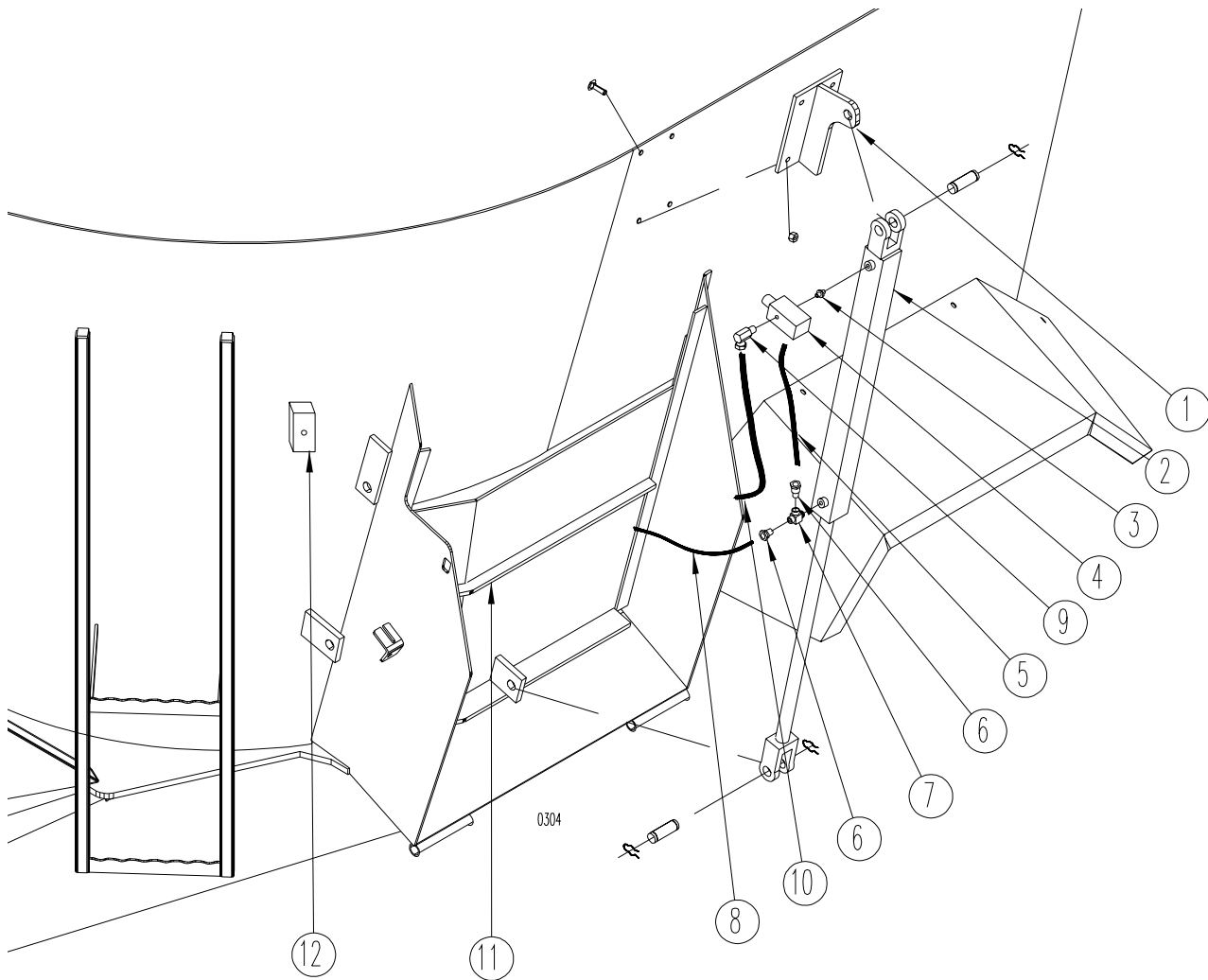
* 141-114 (knife) replaces knife and backer combination used on previous models.

Door and Cylinder Parts



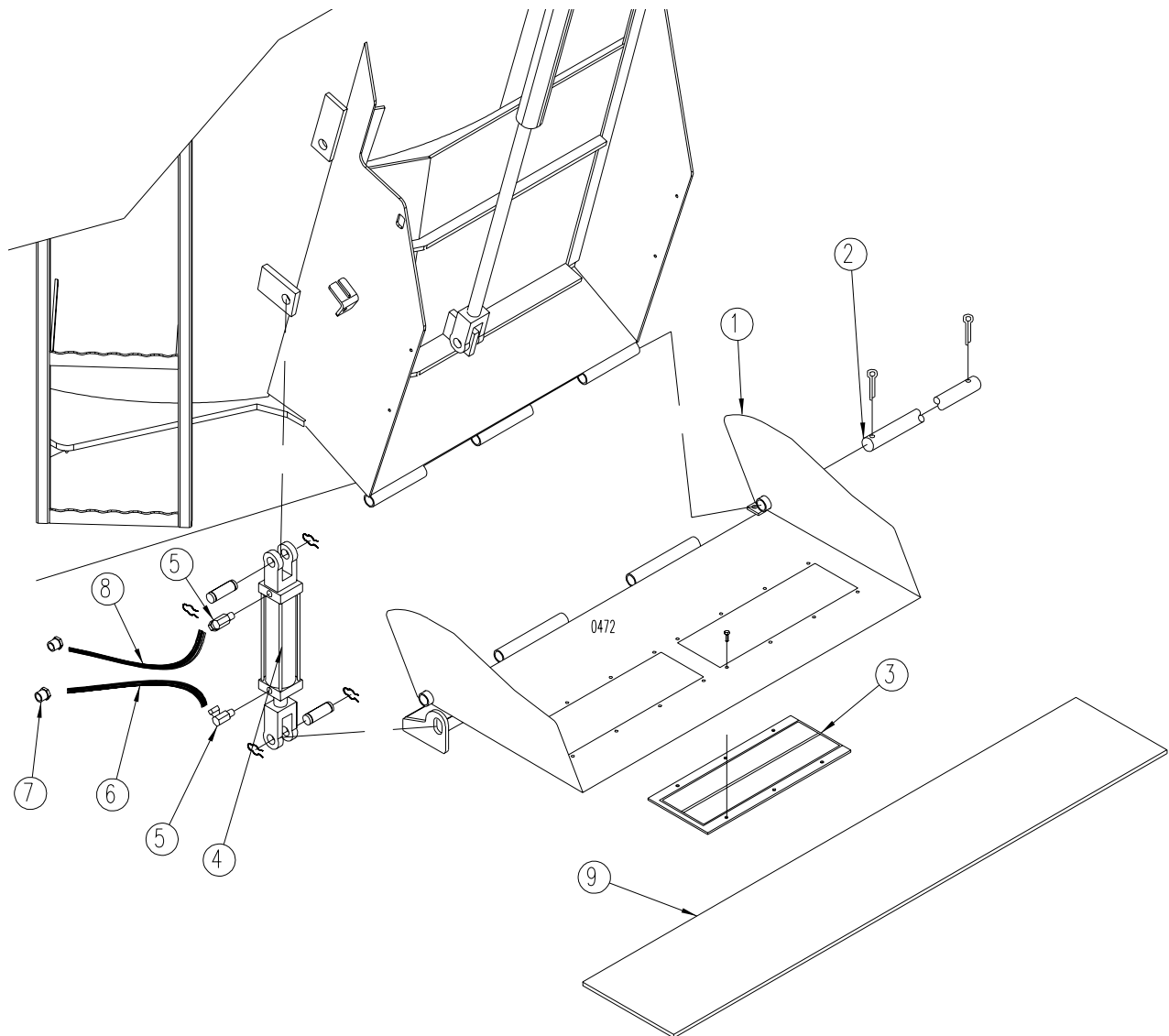
REF	PART NO	QTY	DESCRIPTION
1	103-882	1	Door Assembly
2	141-423	2	Linkage
3	140-806	1	Spacer Tube
4	170-122	1	Flat Washer, 1"
5	170-074	1	Hair pin, .16 dia x 3.12
6	170-073	2	Clevis Pin, 1" dia x 2.50
7	141-430	1	Lever Arm
8	173-567	1	Hydraulic Cylinder; 2.50" x 12" (Seal Kit 174-823)
9	171-030	2	Adapter, 3/8" x 90°
10	172-793	1	Hydraulic Hose; 1/4" x 252"
11	173-285	1	Hydraulic Hose; 1/4" x 234"
12	174-772	4	Clamp, Tube; 1/2" ID, Mtg Hrd: 5/16" Nut, 5/16"FW
13	173-275	2	Hair pin, Monarch# 134952, West Wire# 407

Door and Cylinder Parts 5073-068 and Before



REF	PART NO	QTY	DESCRIPTION
1	103-872	1	Door Cylinder Mount; Mtg Hrd; 1/2" x 1 1/2" C-bolt, LN(4EA)
2	174-822	1	Hydraulic Cylinder; 2" x 30" (Seal Kit 174-823)
3	173-483	1	Straight Adapter
4	174-843	1	Relief Valve
5	171-202	1	Hydraulic Hose; 1/4" x 31 1/2"
6	170-233	2	Straight Adapter; Swivel
7	173-653	1	Tee Adapter
8	173-285	1	Hydraulic Hose; 1/4" x 234"
9	171-030	1	Adapter, 3/8" x 90°
10	172-793	1	Hydraulic Hose; 1/4" x 252"
11	103-821	1	Door Assembly
12	174-772	4	Clamp, Tube; 1/2" ID, Mtg Hrd: 5/16" Nut, 5/16"FW

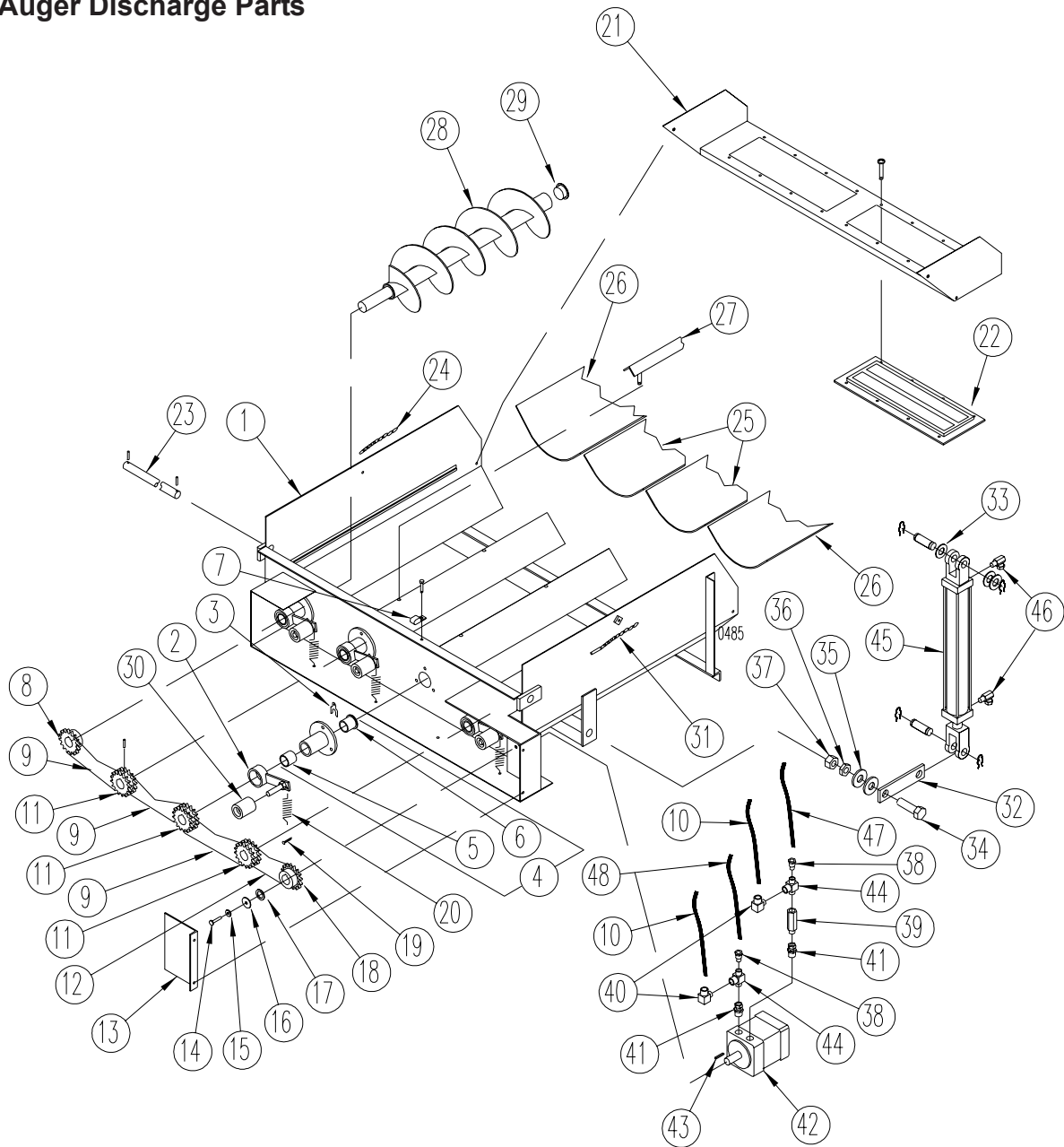
Slide Tray Parts



REF	PART NO	QTY	DESCRIPTION
1	102-527	1	Slide Tray Assembly, LH Discharge
2	140-003	1	Pivot Rod, 7/8" x 46-5/8"; Mtg. Hrd: Cotter Pin 3/16" x 2" (2EA)
3	171-346	2	Magnet; Mtg. Hrd: 1/4" x 3/4" Truss Head Bolt, FW, LW (6EA)
4	173-270	1	Cylinder; 2" Dia x 8", (Seal Kit #170-075) 173-274 Pin, 173-275 Hairpin
5	171-030	2	Swivel Connector; 3/8" x 90°
6	170-468	1	Hydraulic Hose; 1/4" x 162"
7	170-235	2	Fitting Reducer; 1/2" to 3/8"
8	173-488	1	Hydraulic Hose; 1/4" x 153"
9	181-040*	5.4'	Extension Belting; Mtg Hrd: 1/4" x 1" Truss Head Bolt, FW, Nut (9 ea)

* 181-040 ordered by the foot

4 Auger Discharge Parts



REF	PART NO	QTY	DESCRIPTION
	103-856	1	Complete Chute Assembly, 3'
	103-855	1	Complete Chute Assembly, 2'
1	102-346*	1	Chute Weldment, 3'
	103-854**	1	Chute Weldment, 2'
2	101-231	4	Chain Tightener Arm
3	171-265	A/R	Shim; .017" Thick (1-2 each for auger adjustment)
4	101-227	4	Auger Bearing Assy; Mtg Hrd: 3/8" x 1" Bolt, Lw, Nut (3 ea)170-865 Zerk; (1 ea)
5	171-259	1	Bushing; Bronze, 1-3/8" I.D.
6	171-260	1	Bushing; Bronze 1-3/8" I.D. Flanged
7	171-782	1	Double Hose Clamp; Mtg Hrd: 5/16" x 3/4" Bolt, Lw & Nut
8	132-701	1	Sprocket; 50-B-18, 1-3/8" Bore; Mtg Hrd: 171-414 Roll Pin; 5/16" x 2-1/2" (1 ea)
9	171-932	3	Roller Chain; 50-1-56 Pitch, W/Connector Link

4 Auger Discharge Parts

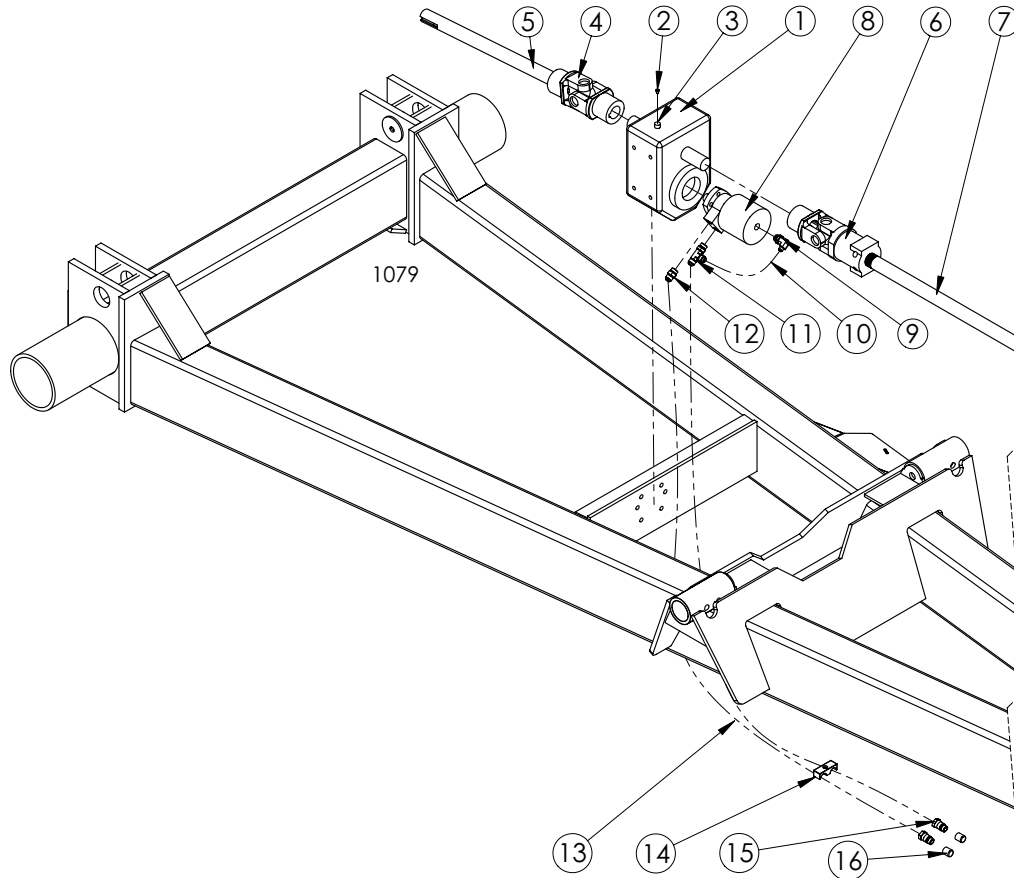
REF	PART NO	QTY	DESCRIPTION
10	171-330	2	Hydraulic Hose; 1/2" x 168" OAL - (TO TRACTOR)
11	134-390	3	Sprocket; 50-2R-18, 1-3/8" Bore; Mtg Hrd: 171-414 Roll Pin; 5/16" x 2-1/2" (1 ea)
12	171-178	1	Roller Chain; 50-1-48 Pitch, W/Connector Link
13	134-394	1	Motor Drive Shield; Mtg Hrd: 5/16" x 3/4" Bolt, Lw & Nut (2 ea)
14	170-262	1	Bolt; 5/16" x 3/4" Hex Head
15	170-118	1	Washer; 5/16" Lock
16	170-302	1	Washer; 3/8" Heavy
17	171-576	1	Machine Washer
18	134-389	1	Sprocket; 50-B-18, 1" Bore
19	170-056	4	Cotter Pin; 1/4" x 2"
20	170-110	4	Spring, Extension 4" Lg x 15/16" OD
21	102-347	1	Tipoff Assembly; Mtg Hrd: 5/16" x 3/4" Bolt, Lw & Nut (4 ea)
22	171-346	2	Magnet; Mtg Hrd: 1/4" x 3/4" Truss Head Bolt, Lw, Fw & Nut (8 ea)
23	140-001	1	Tipoff Pivot Rod 7/8" Dia x 51" Lg; Mtg Hrd: 170-115 Cotter Pin 3/16" x 2" (2 ea)
24	141-608	1	Chain; 5/0 Coil x 27 Link Mtg Hrd: 3/8" x 1" Bolt, FW, Ln (1 ea) 5/16" x 1" Truss Head Bolt, FW, LW, Nut (1 ea)
25	133-943*	2	Plastic Chute Liner-Center, 3'; Mtg Hrd: 1/4" x 3/4" Truss Head Bolt, Lw, Nut (2 ea)
	140-938**	2	Plastic Chute Liner-Center, 2'; Mtg Hrd: 1/4" x 3/4" Truss Head Bolt, Lw, Nut (2 ea)
26	133-942*	2	Plastic Chute Liner-Side, 3'; Mtg Hrd: 1/4" x 3/4" Truss Head Bolt, Lw, Nut (2 ea)
	140-937**	2	Plastic Chute Liner-Side, 2'; Mtg Hrd: 1/4" x 3/4" Truss Head Bolt, Lw, Nut (2 ea)
27	140-897*	3	Liner Hold-Down, 3', Mtg Hrd: 5/16 x 1.5 Carriage Bolt, LW, FW, Nut (2 ea)
	140-933**	3	Liner Hold-Down, 3', Mtg Hrd: 5/16 x 1.5 Carriage Bolt, LW, FW, Nut (2 ea)
28	101-736*	4	Auger Assy, 3'
	103-756**	4	Auger Assy, 2'
29	171-186	4	Plastic Cap Plug; #16
30	134-395	4	Tightener Block, 2" Dia x 2 1/2" Lg; Mtg Hrd: 5/8" LW & Jam Nut
31	103-918	1	Chute Restraint Chain Assy; Mtg Hrd: 5/16" x 1" Truss Head Bolt, Fw, Lw, N, 3/8" Fw, Ln
32	133-952	1	Chute Cylinder Linkage Bar; Mtg Hrd: 170-074 Hairpin Clip (1 ea)
33	170-122	5	Spacer Washer; 1" Sae Flat
34	173-021	1	Bolt, 1" x 3 1/2" Hex Head
35	170-122	2	Spacer Washer; 1" SAE Flat
36	174-927	1	Nut, 1" Hex Jam
37	174-928	1	Nut, 1" Hex Lock
38	170-235	2	Reducer Bushing; 1/2" to 3/8"
39	171-151	1	Line Check Valve; 1/2"
40	171-136	2	Street Elbow; 1/2" x 90°
41	171-668	2	Straight Thread Swivel Adapter
42	171-666	1	Hydraulic Motor; 12 cu.in. (Seal Kit #171-257) Mtg Hrd: 3/8" x 7/8" Bolt, Lw (4ea)
43	171-883	1	Key, Sq 1/4" x 1"
44	170-859	2	Service Tee; 1/2"
45	173-220	1	Hydraulic Cylinder; 2" x 18" (Seal Kit #170-075) 173-274 Pin, 173-275 Hairpin
46	171-030	2	Swivel Adapter; 3/8" x 90 Degree
47	175-062	1	Hyd Hose; 1/4" x 42" Overall Length (TO CLEVIS END OF CYLINDER)
48	171-193	1	Hyd Hose; 1/4" x 29-1/2" Overall (TO ROD END OF CYLINDER)

* For use with 3' Chute only.

** For use with 2' Chute only.

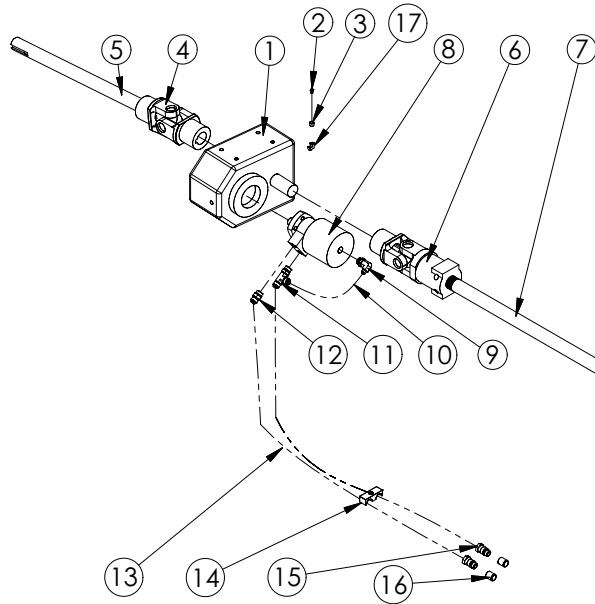
Chain and Slat Discharge Parts

REF	PART NO	QTY	DESCRIPTION
	103-898	1	Complete Chute Assembly 3'
1	103-893	1	Chute Frame Weldment 3'
2	103-895	1	Drive Sprocket Weldment
3	170-120	1	Key; 1/4" Woodruff #807
4	103-894	1	Chain & Slat Assembly
	103-919	A/R	Chain; Assy, Repair, Slat
	171-288	A/R	Connector Link
	171-287	A/R	Offset Link
5	142-217	1	Belting Retainer Mtg Hrd: 5/16" x 1" Bolt, Fw, Ln (Qty 5)
6	142-214	1	Rubber Belting, 0.4" x 3-1/2" x 43-1/4"
7	170-026	2	Bearing, Flange, 1" Mtg Hrd: 5/16" x 1" Bolt, Lw, Nut (2 ea)
8	134-389	2	Sprocket; 50-B 18 1" B, 1/4 KW Mtg Hrd: 5/16" x 3/4" Bolt, 3/8" Fw - Heavy, 5/16" Lw
9	171-178	1	Chain, Roller 50-1-48P
10	171-883	1	Key; 1/4" x 1/4" x 1" Long
11	171-666	1	Motor, Hyd., 12.0 Cu. In. Mtg Hrd: 3/8" x 1" Bolt, Lw, Fw (Qty 4)
12	141-204	1	Shield Mtg Hrd: 5/16" x 3/4" Bolt, Lw, Nut (Qty 2)
13	171-668	1	Adapter, Straight, 7/8" x 1/2"
	171-151	1	Check Valve
14	141-606	1	Cylinder Linkage Mtg Hrd: 1" x 3-1/2" Bolt, Fw (Qty 4), Jam Nut, Ln
15	103-897	1	Rear Cover - Lower Mtg Hrd: 1/2" Push Nut, Unthreaded (Part # 176-579) (Qty 2)
16	103-918	1	Chute Restraint Chain Assy. Mtg Hrd Top: 3/8" Fw, Ln Mtg Hrd Bottom: 5/16" x 1" Truss Head Bolt, Fw, Lw, Nut
17	141-474	1	Rear Cover - Upper Mtg Hrd: 5/16" x 3/4" Bolt, Lw, Nut (Qty 4)
18	141-472	1	Idler Shaft, 1" x 46-1/4" Mtg Hrd: 3/8" x 5-1/2" Full Thread Bolt, Fw, Ln
19	141-473	1	Discharge Floor Mtg Hrd: 1/4" x 3/4" Truss Head Bolt, Fw, Lw, Nut (Qty 3)
20	170-238	2	Spring; Compression
21	170-110	2	Spring, Extension
22	174-309	2	Lock Collar, Shaft (Set Screw # 170-248)
23	141-216	2	Bushing; Plastic, 2 1/2" x 1" x 2 5/8"
24	141-220	2	Washer; Plastic, 1/8" x 4" x 1"
25	141-608	1	Chain; 5/0 Coil x 27 Link Mtg Hrd Top: 3/8" x 1-1/4" Bolt, Fw, Ln Mtg Hrd Bottom: 5/16" x 1" Bolt, Fw, Lw, Nut
26	140-003	1	Pivot Rod, 7/8" x 47" (Cotter Pin # 170-056)
27	173-220	1	Hydraulic Cylinder, 2 DIA x 18", (Seal Kit#170-075, 173-274 Pin, 173-275 Hairpin)
28	170-122	6	Spacer Washer; 1" SAE Flat
29	170-235	1	Adapter, Straight, 1/2" NPTM x 3/8" NPTF
30	141-692	1	Adapter, Straight, 1/2" NPTM x 3/8" NPTM
31	171-171	2	Adapter, Tee 1/2" NPTF x 1/2" NPTF x 1/2" NPTF
32	173-483	1	Adapter, Straight, 3/8" NPTM x 3/8" NPTM
33	173-658	1	Hydraulic Hose, 1/2" x 56" 100R1
34	172-239	1	Hydraulic Hose, 1/2" x 36.5" 100R1
35	171-330	2	Hydraulic Hose, 1/2" x 168" 100R1
36	175-536	2	Quick Coupler
37	176-064	2	Cap
38	174-771	2	Clamp, Tube; 3/4" ID

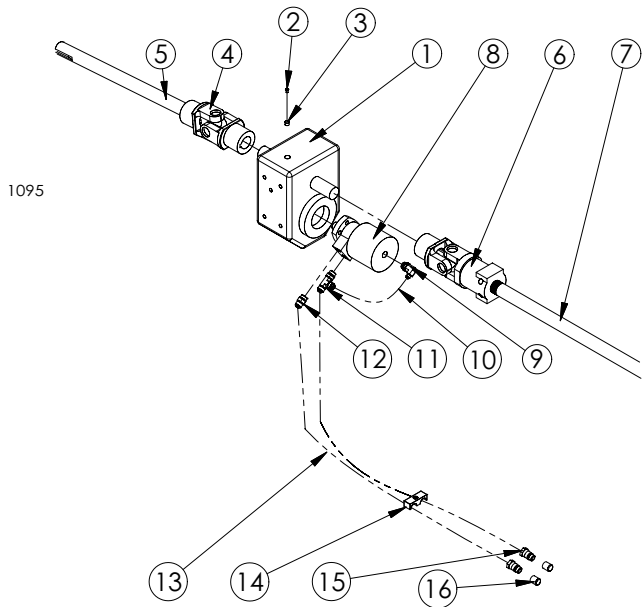
High-Speed Clean-Out Option - (5073 & 5085 S/N B0001, 50100 S/N C0001 and after)

REF	PART NO	QTY	DESCRIPTION
1	175-228	1	Gearcase, 1:3.82 Mtg Hrd: M12 x 35MM Bolt (Part # 175-020) , Fw (Part # 172-445), (Qty 4)
2	170-679	1	Vent Plug
3	173-150	1	Straight Adapter, 1/2" NPF M x .12 NTPF
4	175-082	1	U-Joint Assembly
	175-124	2	Yoke, 1-3/4"
	174-909	1	Cross & Bearing Kit
5	144-307	1	Rear Shaft (5073 Only)
	144-264	1	Rear Shaft (5085 & 50100)
6	175-229	1	Overrunning Clutch Assembly (Key # 170-019)
	175-255	1	Overrunning Clutch Yoke
	175-124	1	Yoke, 1-3/4"
	174-909	1	Cross & Bearing Kit
7	144-295	1	Front Shaft (5073 Only)
	144-267	1	Front Shaft (5085 & 50100, Only)
8	175-227	1	Motor, 12.0 CU Mtg Hrd: 1/2" x 1-1/2" Bolt (Qty 2), Lw (Qty 6)
9	175-093	1	Adapter, 90°, 10OM x 06JM
10	175-276	1	Hydraulic Hose, 3/8" x 10
11	175-274	1	Tee Adapter, 10JM x 10JM x 10OM
12	172-627	1	Straight Adapter, 10OM x 10JM
13	175-240	2	Hydraulic Hose, 3/4" x 102" (5073)
	176-303	2	Hydraulic Hose, 3/4" x 150" (5085 & 50100)
14	175-275	1	Hose Clamp Mtg Hrd: 3/8" x 2" Bolt, Fw, Nut
15	175-536	2	Quick Coupler
16	176-064	2	Cap

High-Speed Clean-Out Option - (Before 5073 & 5085 S/N B0001, 50100 S/N C0001)



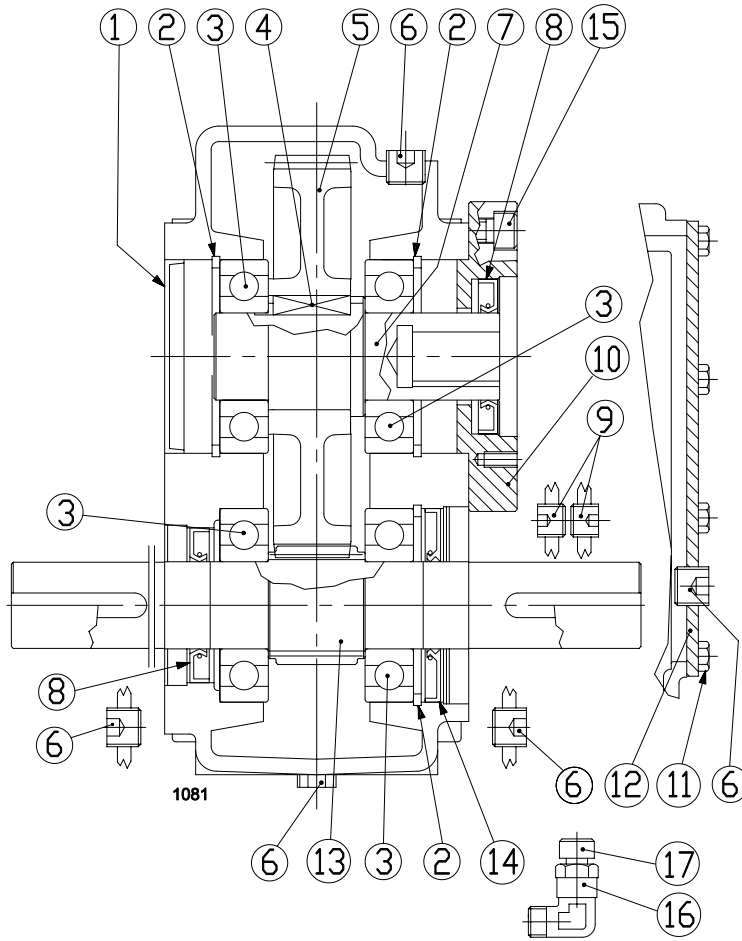
5073



5085 & 50100

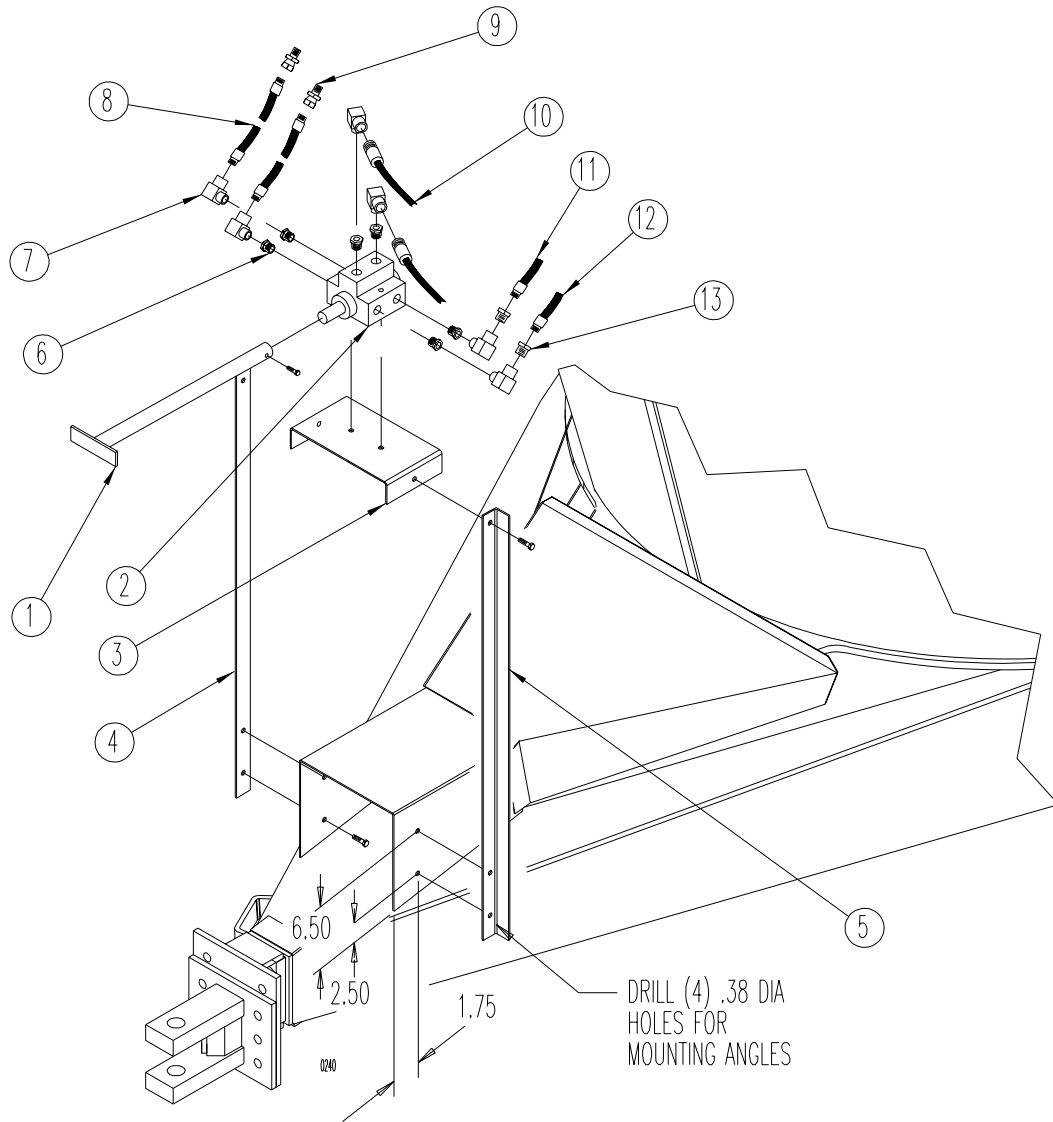
REF	PART NO	QTY	DESCRIPTION
1	175-228	1	Gearcase, 1:3.82 Mtg Hrd: M12 x 35MM Bolt (Part # 175-020), Fw (Part# 170040), Lw (Part # 170-003) (Qty 4 - 5073) (Qty 5 - 5085 & 50100)
2	170-679	1	Vent Plug
3	173-150	1	Straight Adapter, 1/2" NPF M x .12 NTPF
4	175-082	1	U-Joint Assembly
	175-124	2	Yoke, 1-3/4"
	174-909	1	Cross & Bearing Kit
5	141-957	1	Rear Shaft (5073 Only)
	141-961	1	Rear Shaft (5085 & 50100)
6	175-229	1	Overrunning Clutch Assembly (Key # 170-019)
	175-255	1	Overrunning Clutch Yoke
	175-124	1	Yoke, 1-3/4"
	174-909	1	Cross & Bearing Kit
7	141-957	1	Front Shaft (5073 Only)
	141-960	1	Front Shaft (5085 & 50100 Only)
8	175-227	1	Motor, 12.0 CU Mtg Hrd: 1/2" x 1-1/2" Bolt (Qty 2), Lw (Qty 6)
9	175-093	1	Adapter, 90°, 10OM x 06JM
10	175-276	1	Hydraulic Hose, 3/8" x 10
11	175-274	1	Tee Adapter, 10JM x 10JM x 10OM
12	172-627	1	Straight Adapter, 10OM x 10JM
13	175-239	2	Hydraulic Hose, 3/4" x 90" (5073)
	175-240	2	Hydraulic Hose, 3/4" x 102" (5085 & 50100)
14	175-275	1	Hose Clamp Mtg Hrd: 3/8" x 2" Bolt, Fw, Lw, Nut
15	175-536	2	Quick Coupler
16	176-064	2	Cap
17	175-018	1	Elbow, Pipe, 90°, 1/2"
	104-032	1	Gearbox Mount Mtg Hrd: 5/8" x 2" Bolt, Fw, Fw, Lw, Nut (Qty 3)(5073) Not Shown
	104-033	1	Gearbox Mount (5085 & 50100) (Weld On) Not Shown

High-Speed Clean-Out Option - Gearcase Replacement Parts



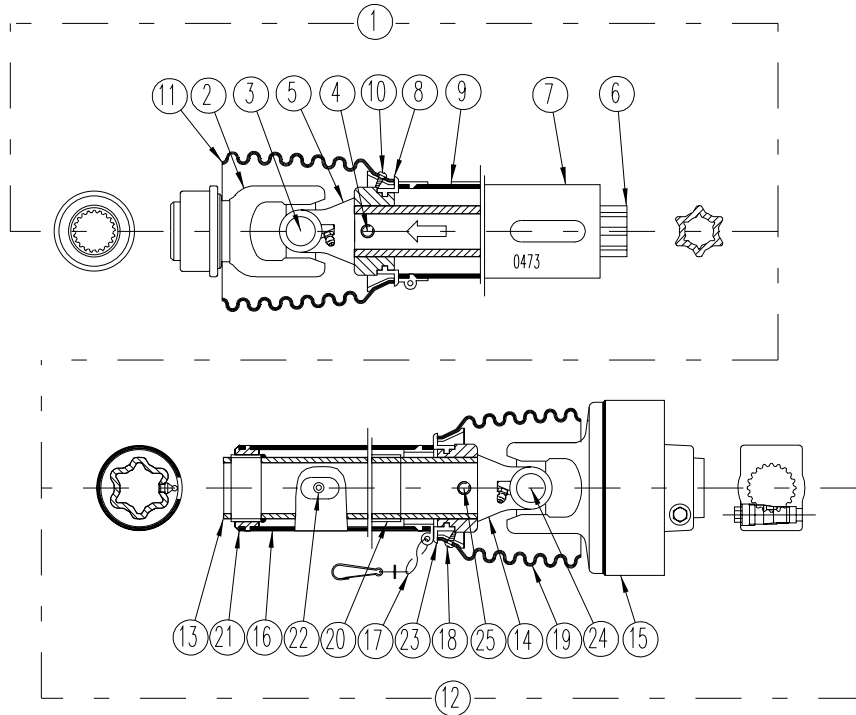
REF	PART NO	QTY	DESCRIPTION
	175-228	1	Gearcase Assy
1	176-197	1	Cap
2	176-198	3	Snap Ring
3	176-199	4	Bearing
4	176-200	1	Key
5	176-201	1	Gear
6	174-904	4	Plug
7	176-202	1	Shaft
8	176-203	2	Oil Seal
9	173-342	2	Plug
10	176-204	1	Flange
11	174-610	8	Bolt
12	176-205	1	Cover
13	176-206	1	Pinion
14	176-207	1	Double Lip Seal
15	176-208	4	Bolt
16	176-209	1	Elbow
17	173-342	1	Oil Filler Plug

Selector Valve Option



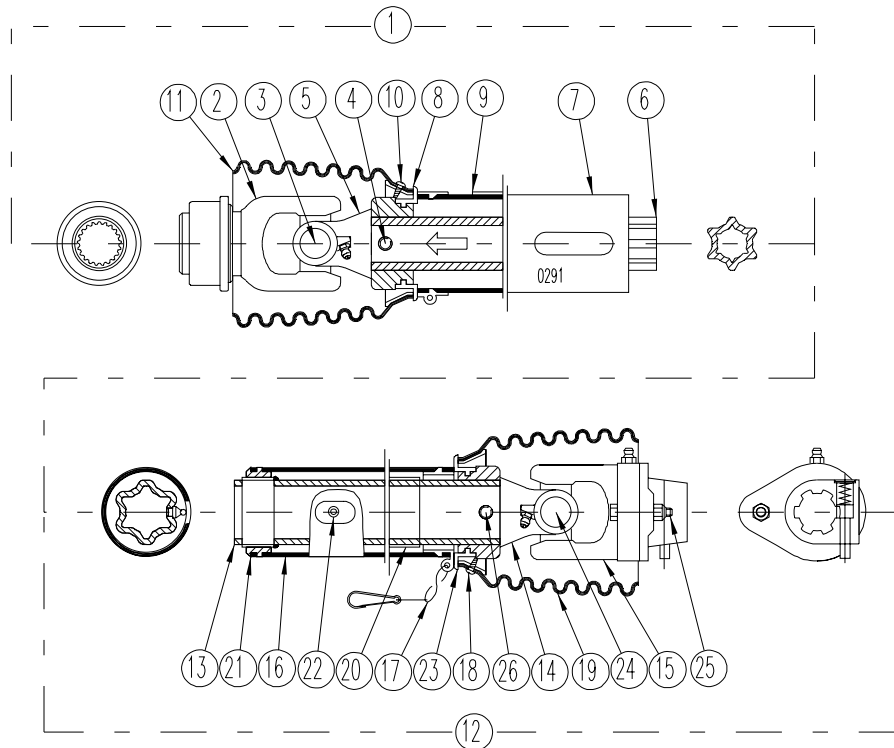
REF	PART NO	QTY	DESCRIPTION
1	101-791	1	Control Handle; Mtg Hrd: 1/4" x 1-1/2" B, LN
2	101-891	1	Selector Valve Assy.(Seal Kit # 171-847); Mtg Hrd: 3/8" x7/8" B,LW (2EA), Fw (4EA)
3	140-792	1	Valve Mount; Mtg Hrd: 3/8" x 7/8"B, LW, Nut (2EA)
4	140-790	1	Valve Support; Mtg Hrd: 3/8" x 7/8"B, LW, Nut (2EA)
5	140-791	1	Valve Support; Mtg Hrd: 3/8" x 7/8"B, LW, Nut (2EA)
6	171-430	6	Reducer; 3/4" to 1/2"
7	171-136	6	Elbow; Bushing, 1/2" - 90°
8	172-324	2	Hydraulic Hose; (to slide tray) 1/4" x 72" OAL (3/8" Ends)
	171-426	2	Hydraulic Hose; (to power chute) 1/2" x 93" OAL (1/2" Ends)
9	170-513	2	Swivel Connector; 1/2" straight
10	171-425	2	Hydraulic Hose; (to tractor) 1/2" x 70" OAL (1/2" Ends)
11	171-428	1	Hydraulic Hose; (to door) 1/4" x 102" OAL (3/8" Ends)
12	170-465	1	Hydraulic Hose; (to door) 1/4" x 127" OAL (3/8" Ends)
13	170-235	2	Reducer; Bushing, 1/2" to 3/8"

PTO Driveline (1000 RPM - 21 - Spline -1 3/8 Yoke) After S/N 5073-066



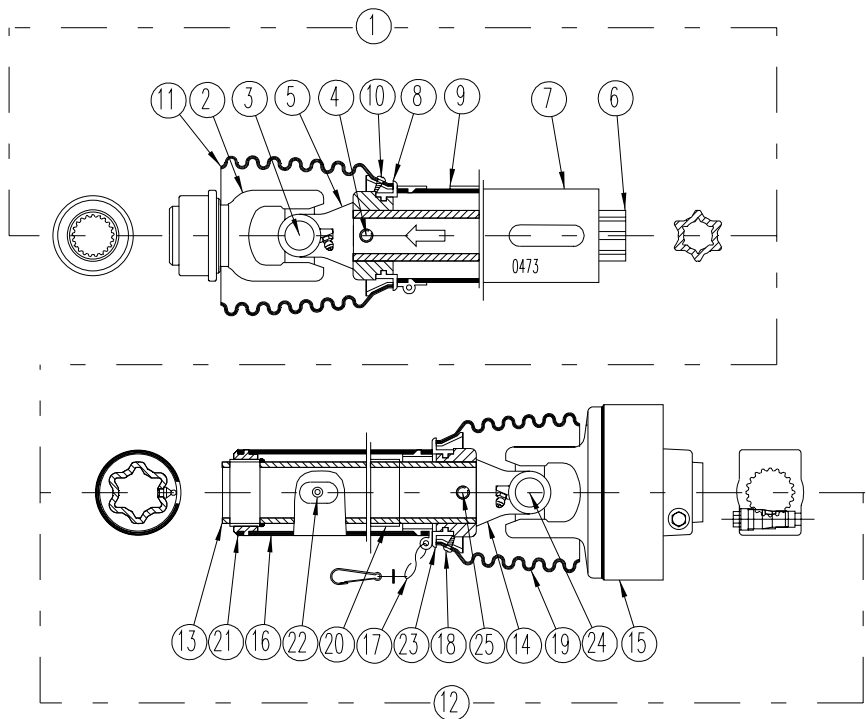
REF	PART NO	QTY	DESCRIPTION
	175-080		Complete PTO Assembly
1	175-001	1	Half Shaft
2	174-984	1	Yoke 1 3/8 - 21 Spline
	174-996	1	Collar Kit
3	174-909	1	Cross & Bearing Kit
4	174-994	1	Spring Pin 10 x 90
5	174-985	1	InBoard Yoke
6	174-986	1	Inner Profile
7	174-992	1	Outer Shield
8	171-979	1	Bearing Ring
9	171-550	1	Decal, Danger Keep Away
10	172-210	1	Screw
11	174-991	1	Shield Cone 7 Rib
12	175-083	1	Half Shaft
13	174-988	1	Outer Profile & Sleeve
14	174-987	1	InBoard Yoke
15	175-084	1	Cut-out Clutch
	174-966	1	Lockbolt (Must be torqued to 75 ftlbs)
16	174-993	1	Inner Shield
17	172-040	1	Safety Chain
18	172-210	1	Screw
19	175-071	1	Shield Cone 6 Rib
20	171-799	1	Decal, Danger Shield
21	172-207	1	Support Bearing
22	172-209	1	Zerk
23	171-979	1	Bearing Ring
24	174-909	1	Cross and Bearing Kit
25	174-994	1	Spring Pin 10 x 90

PTO Driveline (1000 RPM - 21 -Spline-1 3/8 Yoke) Before S/N 5073-065



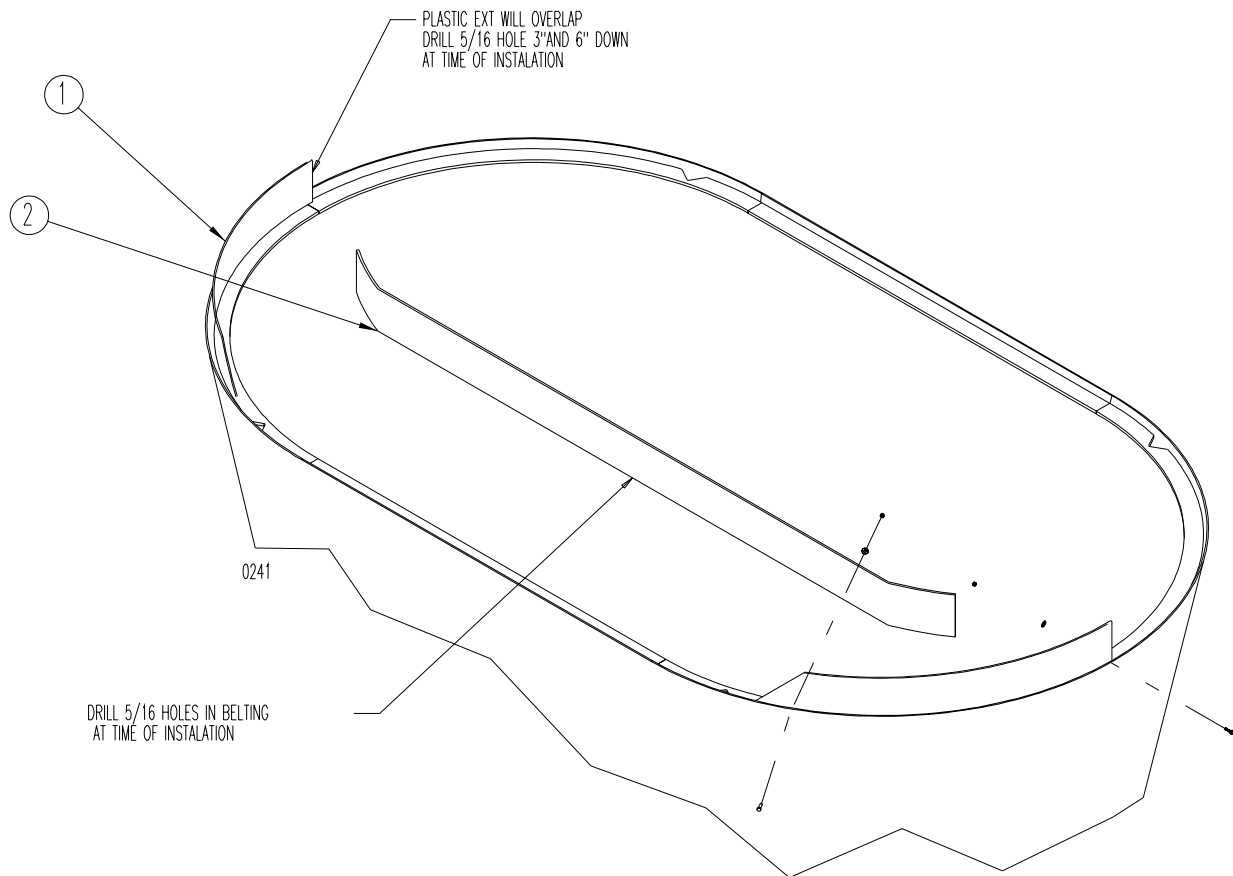
REF	PART NO	QTY	DESCRIPTION
	174-883		Complete PTO Assembly
1	175-001	1	Half Shaft
2	174-984	1	Yoke 1 3/8 - 21 Spline
	174-996	1	Collar Kit
3	174-909	1	Cross & Bearing Kit
4	174-994	1	Spring Pin 10 x 90
5	174-985	1	Inboard Yoke
6	174-986	1	Inner Profile
7	174-992	1	Outer Shield
8	171-979	1	Bearing Ring
9	171-550	1	Decal, Danger Keep Away
10	172-210	1	Screw
11	174-991	1	Shield Cone 7 Rib
12	175-002	1	Half Shaft
13	174-988	1	Outer Profile & Sleeve
14	174-987	1	Inboard Yoke
15	174-989	1	Shearbolt Clutch
	174-995	1	QD Pin Kit
16	174-993	1	Inner Shield
17	172-040	1	Safety Chain
18	172-210	1	Screw
19	174-991	1	Shield Cone 7 Rib
20	171-799	1	Decal, Danger Shield
21	172-207	1	Support Bearing
22	172-209	1	Zerk
23	171-979	1	Bearing Ring
24	174-909	1	Cross and Bearing Kit
25	170-369	1	Bolt, 5/16" x 2 1/2" NC Grd5
26	174-994	1	Spring Pin 10 x 90

PTO Driveline (1000 RPM - 20 - Spline -1 3/4 Yoke)



REF	PART NO	QTY	DESCRIPTION
	175-081		Complete PTO Assembly
1	175-060	1	Half Shaft
2	175-059	1	Yoke 1 3/4 - 20 Spline
	174-967	1	Collar Kit
3	174-909	1	Cross & Bearing Kit
4	174-994	1	Spring Pin 10 x 90
5	174-985	1	InBoard Yoke
6	174-986	1	Inner Profile
7	174-992	1	Outer Shield
8	171-979	1	Bearing Ring
9	171-550	1	Decal, Danger Keep Away
10	172-210	1	Screw
11	174-991	1	Shield Cone 7 Rib
12	175-083	1	Half Shaft
13	174-988	1	Outer Profile & Sleeve
14	174-987	1	InBoard Yoke
15	175-084	1	Cut-out Clutch
	175-278	1	Lockbolt (Must be torqued to 75 ftlbs)
16	174-993	1	Inner Shield
17	172-040	1	Safety Chain
18	172-210	1	Screw
19	175-071	1	Shield Cone 6 Rib
20	171-799	1	Decal, Danger Shield
21	172-207	1	Support Bearing
22	172-209	1	Zerk
23	171-979	1	Bearing Ring
24	174-909	1	Cross and Bearing Kit
25	174-994	1	Spring Pin 10 x 90

Side Extension Options



REF PART NO QTY DESCRIPTION

REF	PART NO	QTY	DESCRIPTION
1	141-318	4	Plastic Side Extension 5073, Mtg Hrd: 5/16" x 1 1/2" B, 5/16 x 1 1/4" B (5EA), 3/8" Fw (7EA), FLN (6EA)
2	181-043	25.5'	Rubber Belting; 3/8" x 8", Mtg Hrd: 5/16" x 1 1/4" B, (10EA), 3/8" Fw (12EA), FlN (10EA) (12'-9" per side) (5073 only)
		27.5'	Rubber Belting; 3/8" x 8", Mtg Hrd: 5/16" x 1 1/4" B, (10EA), 3/8" FW (12EA), FLN (10EA) (13'-9" per side) (5085 only)
		28.5'	Rubber Belting; 3/8" x 8", Mtg Hrd: 5/16" x 1 1/4" B, (10EA), 3/8" FW (12EA), FLN (10EA) (14'-3" per side) (50100 only)

Safety Chain for Towed Equipment P/N 173-077

This chain is designed to retain the connection between towing and towed machines, in the event of separation of the primary attaching system. It should be utilized whenever the unit is on the highway.

Decal and Paint List

The following decals are listed below for your convenience.

Use the operator's manual for decal location and part number ordering.

PART NO	QTY	DESCRIPTION
175-862	1	Complete Decal Set (5073)
175-863	1	Complete Decal Set (5085)
175-864	1	Complete Decal Set (50100)
170-490	1	Reduce Engine RPM...
170-849	2	WARNING, Stay Clear Of Power Driven Parts
170-893	1	SMV
171-712	1	Retighten Setscrews...
171-820	2	DANGER, Rotating Auger Inside
171-911	1	CAUTION, Operating Precautions
171-913	1	WARNING, Do Not Operate Unless Shields Are In Place
171-914	2	WARNING, Moving Parts Hazard
171-947	2	DANGER, Do Not Hand Load
174-686	5	Red Reflector
174-687	3	Amber Reflector
172-786	1	DANGER, Keep Away, Rotating Driveline
175-230	1	Patent
172-820	1	CAUTION, Lifting Instructions
173-040	1	CAUTION, PTO Operation
173-078	1	DANGER, Shield Missing
174-792	1	Notice: Upon Initial Use...
175-850	12'	Black Stripe (5073)
	13'	Black Stripe (5085)
	14'	Black Stripe (50100)
175-056	1	Door Gauge
174-808 ^A	1	Door Gauge (Used on Units Before Serial Number 5073-068)
175-800	3	Kuhn Knight
175-850	2	Verti-Maxx
175-109	1	NOTICE, Check Oil
174-872	2	Spindle Weigh bar (5073 only)
174-924	1	Lift Points Inside
175-811	2	5073
175-812	2	5085
175-813	2	50100
175-151	1	Info, Kuhn Knight approved knives
175-156	1	Important Auger Info

Chain & Slat Conveyor Decals:

171-914	2	WARNING, Stay Clear of Chute...
172-603	2	Grease
173-078	1	WARNING, Rotating Parts...
174-687	1	Amber Reflector
174-686	1	Red Reflector

4 Auger Chute Decals:

171-914	2	WARNING, Stay Clear of Chute...
171-915	1	Warning, Do Not Operate ...
172-603	4	Grease
174-687	1	Amber Reflector
174-686	1	Red Reflector

Slide Tray Decals:

171-914	2	WARNING, Stay Clear of Chute...
174-687	1	Amber Reflector
174-686	1	Red Reflector

PTO Driveline Decals:

171-550	1	DANGER - Rotating Driveline
171-799	1	DANGER - Shield Missing
171-609	1	Do Not Exceed 1000 RPM (1000 RPM units only)

Paint:

303-163	Black Aerosol Can
180-281	Black Quart Can
173-945	Black Gallon Can

After 10/15/05

175-790	Sandstone Silver - Aerosol Can
175-792	Sandstone Silver - Quart Can
175-793	Sandstone Silver - Gallon Can

Before 10/15/05

173-731	Kuhn Knight Gray - Aerosol Can
173-281	Kuhn Knight Gray - Quart Can
173-282	Kuhn Knight Gray - Gallon Can

Hardware Part Number Listing

All fasteners are NC thread, Grade 5 unless otherwise specified.

HEX HEAD BOLTS

Size	Part No		
1/4 x 1/2	173-279	1/2 x 1-1/2 (Grade 8)	172-951
1/4 x 3/4	170-803	1/2 x 1-3/4	171-774
1/4 x 7/8	171-094	1/2 x 2	171-802
1/4 x 1	170-310	1/2 x 2-1/4	172-387
1/4 x 1-1/2	170-068	1/2 x 2-1/2	170-885
1/4 x 2	172-986	1/2 x 2-1/2 (Full thread)	171-099
1/4 x 2 (Grade 8)	175-073	1/2 x 2-3/4	172-007
1/4 x 2-3/4	171-203	1/2 x 3	170-168
1/4 x 3	171-403	1/2 x 3-1/2	170-167
1/4 x 3-1/2	173-640	1/2 x 3-1/2 (Grade 8)	172-950
1/4 x 4	173-505	1/2 x 4	173-111
5/16 x 5/8	170-532	1/2 x 4 (Full thread)	171-509
5/16 x 3/4	170-262	1/2 x 4-1/2	175-920
5/16 x 3/4 (Stainless steel)	174-787	1/2 x 4-1/2 (Grade 8)	171-573
5/16 x 7/8	170-256	1/2 x 5	171-412
5/16 x 1	170-027	1/2 x 6	173-506
5/16 x 1-1/4 (Full thread)	170-188	1/2 x 6 (Grade 8)	174-944
5/16 x 1-1/2	170-372	1/2 x 6-1/2	173-711
5/16 x 1-3/4	170-263	1/2 x 7	174-328
5/16 x 2	172-987	1/2 x 7-1/2	175-107
5/16 x 2-1/2	170-369	1/2 x 8-1/2	170-504
5/16 x 3	170-295	1/2 x 11	170-506
5/16 x 3-1/4	171-639	9/16 x 1	173-699
5/16 x 3-1/2	173-748	9/16 x 1-1/4	173-700
5/16 x 4	170-293	9/16 x 1-1/2	173-701
5/16 x 4-1/2	170-294	9/16 x 2	172-219
5/16 x 5 (Grade 8)	172-983	5/8 x 1	171-087
5/16 x 5-1/2 (Grade 8)	172-952	5/8 x 1-1/4	171-366
3/8 x 3/4	170-439	5/8 x 1-1/2	170-153
3/8 x 3/4 (Stainless steel)	174-788	5/8 x 1-3/4 (Full thread)	170-030
3/8 x 7/8	170-268	5/8 x 2	170-009
3/8 x 1	170-054	5/8 x 2 (Full thread)	171-772
3/8 x 1-1/4	170-005	5/8 x 2-1/4	173-009
3/8 x 1-1/4 (Stainless steel)	174-917	5/8 x 2-1/2	172-381
3/8 x 1-1/2	170-368	5/8 x 2-1/2 (Full thread)	170-129
3/8 x 1-3/4	172-383	5/8 x 2-3/4	172-356
3/8 x 2	170-245	5/8 x 3	170-258
3/8 x 2-1/4	170-320	5/8 x 3-1/2	170-038
3/8 x 2-1/2	170-257	5/8 x 4	170-371
3/8 x 2-1/2 (Full thread)	170-128	5/8 x 4-1/2	170-067
3/8 x 2-1/2 (Lag)	171-775	5/8 x 5	170-065
3/8 x 3	170-380	5/8 x 5-1/2	172-421
3/8 x 3-1/2	170-292	5/8 x 6	170-381
3/8 x 4	170-877	5/8 x 6-1/2	173-777
3/8 x 4-1/4 (Black oxide)	171-813	5/8 x 7-1/2	173-019
3/8 x 4-1/2	170-519	5/8 x 9-1/2	171-039
3/8 x 5	170-493	3/4 x 1-1/2	173-507
3/8 x 5-1/2	174-196	3/4 x 2	171-768
3/8 x 5-1/2 (Full thread)	170-593	3/4 x 2 (Full thread)	170-058
3/8 x 6	174-304	3/4 x 2 (Grade 8)	171-877
3/8 x 6-1/2	171-291	3/4 x 2-1/4	171-275
3/8 x 7	172-587	3/4 x 2-1/2	170-374
7/16 x 3/4	170-265	3/4 x 2-1/2 (Grade 8)	175-055
7/16 x 1	170-032	3/4 x 3	170-014
7/16 x 1-1/4	170-354	3/4 x 3 UNF	173-776
7/16 x 1-1/4 (Grade 8)	174-216	3/4 x 3-1/2	170-195
7/16 x 1-1/2	170-059	3/4 x 3-1/2 (Grade 8)	171-899
7/16 x 2	170-356	3/4 x 4	170-419
7/16 x 2-1/2	170-379	3/4 x 4 (Grade 8) UNF	173-579
7/16 x 3	170-270	3/4 x 4-1/2	170-846
7/16 x 5-1/2	170-377	3/4 x 4-1/2 (Grade 8)	173-039
7/16 x 6	170-378	3/4 x 4-1/2 (Grade 8) UNF	173-588
1/2 x 3/4	171-252	3/4 x 5	173-508
1/2 x 1	170-149	3/4 x 5 UNF	173-510
1/2 x 1-1/4	170-373	3/4 x 5-1/2 (Grade 8) UNF	173-514
1/2 x 1-1/2	170-002	3/4 x 6	171-116
		3/4 x 6 UNF	173-511
		3/4 x 6 (Grade 8)	173-231
		3/4 x 6 1/2	176-148
		3/4 x 7	173-745
		3/4 x 7 UNF	173-747
		3/4 x 7-1/2	175-004
		3/4 x 8	173-509
		7/8 x 2-1/4	172-892
		7/8 x 2-1/2	175-633
		7/8 x 3	172-002
		7/8 x 3-1/2	173-020
		7/8 x 4	173-299
		7/8 x 4-1/2	175-953
		7/8 x 4 UNF	171-092
		7/8 x 6-1/2	173-774
		7/8 x 7	173-749
		7/8 x 7 UNF	174-097
		7/8 x 8	173-750
		7/8 x 8 UNF	173-515
		1 x 3-1/2	173-021
		1 x 4	175-119
		1 x 4 (Grade 8)	175-248
		1 x 7 UNF	173-516
		1 x 8	174-723
		1 x 8 (grade 8) UNF	173-713
		1-1/4 x 4-1/2 (grade 8)	175-003
		M8 x 16MM (Grade 8.8)	174-610
		M8 x 20MM (Grade 8.8)	175-193
		M8 x 25MM (Grade 8.8)	174-900
		M10 x 22MM (Grade 8.8)	175-016
		M10 x 25MM (Grade 8.8)	173-344
		M12 x 25MM (Grade 8.8)	171-566
		M12 x 35MM (Grade 8.8)	175-020
		M12 x 40MM (Grade 12.9)	175-190
		M12 x 45MM (Grade 10.9)	174-911
		M14 x 30MM (Grade 8.8)	173-518
		M16 x 40MM (Grade 8.8)	175-631
		M16 x 44MM (Grade 8.8)	175-634
		SOCKET HEAD CAP SCREW	
		3/8 x 7/8	172-044
		1/2 x 2-1/2	175-921
		SELF TAPPING SCREW	
		1/4 x 3/4	174-874
		CARRIAGE BOLTS	
		1/4 x 1-1/4 (Grade 2)	170-311
		1/4 x 1-1/2 (Grade 2)	170-355
		1/4 x 2 (Grade 2)	170-299
		1/4 x 2-1/2 (Grade 2)	171-394
		1/4 x 2-3/4 (Grade 2)	170-508
		1/4 x 3	170-509
		5/16 x 1 (Grade 2)	170-370
		5/16 x 1-1/4	175-715
		5/16 x 1-1/2 (Grade 2)	170-296
		5/16 x 2-1/2 (Grade 2)	171-395
		5/16 x 5-1/2 (Grade 2)	170-494
		3/8 x 1	176-170
		3/8 x 1 Short Neck	175-970
		3/8 x 3-1/2 (Grade 2)	171-283
		3/8 x 4-1/2 (Grade 2)	170-191
		3/8 x 5 (Grade 2)	170-495
		3/8 x 6-1/2 (Grade 2)	171-174
		3/8 x 8 (Grade 2)	170-297
		3/8 x 13 (Grade 2)	170-298
		3/8 x 13-1/2 (Grade 2)	170-300
		1/2 x 1-1/2 (Grade 5)	174-918
		1/2 x 3	176-169
		1/2 x 6-1/2 (Grade 2)	171-098
		1/2 x 9 (Grade 2)	171-255
		5/8 x 2	175-110

Kuhn Knight, Inc.

1501 West 7th Ave., Brodhead, WI 53520

701 Cherry Ave., Greeley, CO 80632

41

Hardware Part Number Listing

5/8 x 2-1/2 (Grade 5)	174-790	#10-32	174-073	1-1/4	175-005
PLOW BOLTS		1/4	170-069	ZERKS	
5/8 x 2	174-767	5/16 flange lock	170-028	1/8 NPT	170-865
3/4 x 2-1/2	174-948	3/8	170-047	1/8 NPT-45 Deg	170-864
TRUSS HEAD BOLTS		3/8 flange lock	176-246	1/8 NPT-65 Deg	170-215
#6-32 x 3/4	172-416	7/16	170-239	1/8 NPT-90 Deg	170-866
#6-32 x 1	173-079	1/2	170-042	3/16 drive in	174-124
#8-32 x 1-1/2	171-210	1/2 UNF	170-566	1/4-28	170-023
#10-32 x 3/4	171-604	1/2 (Grade 8)	171-671	1/4-28 - 45 Deg	170-148
#10-32 x 1	172-882	9/16	172-220	1/4-28 - 90 Deg	170-049
1/4 x 3/4	170-193	5/8	170-031	1/4 NPT	170-277
1/4 x 1	170-194	3/4	170-185	1/4 NPT - 45 Deg	174-130
5/16 x 1	170-117	3/4 (Grade 8)	171-900	COTTER PINS	
SET SCREWS (Socket Head)(Cup Point)		3/4 (Grade 8) UNF	173-578	1/16 x 1/2	170-992
1/4 x 1/4	170-247	7/8	173-069	3/32 x 3/4	170-364
1/4 x 5/8	172-985	7/8 UNF	171-093	1/8 x 1	170-045
5/16 x 1/4	170-993	1	174-928	1/8 x 1-1/4	170-033
5/16 x 5/16	170-248	1 UNF	170-527	1/8 x 1-1/2	170-382
5/16 x 5/16 UNF	170-825	M45 x 1.5MM	175-199	5/32 x 1	170-421
5/16 x 3/8 UNF	173-367	M50 x 1.5MM	175-197	5/32 x 1-1/2	170-236
5/16 x 1/2	170-254	JAM NUTS		5/32 x 3	170-135
5/16 x 5/8 UNF	170-456	1/4UNF	171-386	3/16 x 1-1/4	170-991
5/16 x 1 (Sq hd)	173-610	5/16	173-521	3/16 x 2	170-115
5/16 x 1-1/2	172-917	3/8	170-022	1/4 x 1-1/2	170-521
3/8 x 1/4	170-856	7/16	170-046	1/4 x 2	170-056
3/8 x 3/8	170-151	1/2	170-036	1/4 x 2-1/2	173-961
3/8 x 1/2	170-857	1/2 Lock	174-063	ROLLER CHAIN	
3/8 x 1/2 UNF	171-469	5/8	170-037	CONNECTOR LINKS	
3/8 x 3/4	174-190	3/4	170-035	#50	170-088
3/8 x 3/4 (Sq hd)	170-290	1	174-927	#50-2R	170-094
3/8 x 1	170-021	FLAT WASHERS		#60	170-089
3/8 x 1 (Sq hd)	173-609	#10	171-525	#60-2R	170-095
3/8 x 1 (Sq hd) (Dog pt)	171-551	1/4	170-301	#60H	171-102
7/16 x 7/16	170-288	1/4 Heavy	171-083	#80	170-090
7/16 x 1 (Sq hd)	170-147	1/4 Fender	173-672	#80H	170-821
1/2 x 5/8	170-249	5/16	170-127	#80-2R	176-134
1/2 x 1	170-438	5/16 Fender	173-811	#100	170-091
1/2 x 1-1/4 (half dog point)	171-085	3/8	170-244	#100H	171-969
5/8 x 5/8	170-250	3/8 Heavy	170-302	#120	170-092
3/4 x 3/4 (Sq hd) (Dog pt)	170-251	3/8 Aluminum	173-900	#140	170-093
HEX NUTS		3/8 Belleville	171-393	#140H	173-552
#6-32	172-418	7/16	170-138	#160	170-888
#10-32	171-606	1/2	170-040	OFFSET LINKS	
1/4	170-125	1/2 (Grade 8)	172-984	#50	170-096
5/16	170-119	9/16	173-693	#50-2R	170-102
3/8	170-007	5/8	170-066	#60	170-097
7/16	170-062	5/8 (Grade 8)	173-581	#60-2R	170-103
7/16 (Grade 8) UNF	174-217	3/4	170-015	#60H	171-103
1/2	170-004	7/8	173-298	#80	170-098
9/16	173-702	7/8 Heavy	170-131	#80H	170-820
5/8	170-011	1	170-122	#80-2R	176-135
3/4	170-017	1-1/4	170-928	#100	170-099
3/4 UNF	170-159	LOCK WASHERS		#100H	172-145
3/4 (Grade 8) UNF	173-520	#6	172-417	#120	170-100
7/8	171-776	#10	171-605	#140	170-101
1	173-022	1/4	170-124	#140H	173-553
1 UNF	173-714	5/16	170-118	#160	170-887
1 (Grade 8)	175-247	3/8	170-006	ROLLER LINKS	
1 (Grade 8) UNF	173-519	7/16	170-061	#50	171-415
1-1/8 UNF	174-095	1/2	170-003	#60	171-416
1-1/4 UNF	170-130	9/16	173-692	#80	171-417
1-1/4 (Grade 8)	175-006	5/8	170-010	#80H	170-795
M8 x 1.25MM	172-949	3/4	170-016	#100	171-418
M30 x 1.5MM	174-902	3/4 External Tooth	174-793	#100H	172-146
M50 x 1.5MM	175-200	7/8	172-003	#120	171-419
LOCK NUTS		1	171-021	#140	171-420
#6-32	174-188			#160	171-421

Part Number Index

101-227 ...28	134-394 ...29	141-406	170-849 ...40
101-231 ...28	134-395 ...29	.16, 17, 18, 19, 20, 21, 22, 23, 24	170-859 ...29
101-736 ...29	134-824 ...9	141-423 ...25	170-865 ...9, 13, 14
101-791 ...35	134-843 ...9	141-430 ...25	170-893 ...40
101-891 ...35	136-040 ...10	141-465 ...10	170-920
102-048 ...9	136-454 ...4	141-468 ...17, 20, 23	6, 7, 8, 9, 16, 17, 18, 19, 20, 21, 22, 23, 24
102-049 ...9	140-001 ...29	141-469 ...17, 20, 23	170-922 ...9
102-065 ...9	140-003 ...27, 31	141-470 ...17, 20, 23	170-926 ...9
102-066 ...9	140-611 ...4	141-472 ...31	170-927 ...9
102-346 ...28	140-790 ...35	141-473 ...31	170-928 ...9
102-347 ...29	140-791 ...35	141-474 ...31	171-030 ...25, 26, 27, 29
102-437 ...4	140-792 ...35	141-495 ...10	171-136 ...29, 35
102-439 ...4	140-806 ...25	141-547 ...4	171-151 ...29, 31
102-527 ...27	140-897 ...29	141-549 ...10	171-178 ...29, 31
103-674 ...4	140-93 ...29	141-569 ...7, 8	171-186 ...29
103-678 ...4	140-933 ...29	141-574 ...7, 8	171-193 ...29
103-756 ...29	140-938 ...29	141-595 ...12, 14	171-202 ...26
103-779 ...4, 8, 9	140-955 ...10	141-600 ...10	171-257 ...29
103-806 ...14	141-044 ...10	141-608 ...29, 31	171-259 ...28
103-811 ...14	141-046 ...14	141-692 ...31	171-260 ...28
103-812 ...14	141-048 ...12, 14	141-868 ...12	171-265 ...28
103-817 ...12, 15	141-062	141-872 ...12	171-287 ...31
103-820 ...14	.16, 17, 18, 19, 20, 21, 22, 23, 24	141-957 ...33	171-288 ...31
103-821 ...26	141-063	141-960 ...33	171-330 ...29, 31
103-844 ...7, 8, 9	.16, 17, 18, 19, 20, 21, 22, 23, 24	141-961 ...33	171-346 ...27, 29
103-845 ...7	141-064	141-967 ...7	171-425 ...35
103-854 ...28	.16, 17, 18, 19, 20, 21, 22, 23, 24	142-214 ...31	171-426 ...35
103-855 ...28	141-065	142-217 ...31	171-428 ...35
103-856 ...28	.16, 17, 18, 19, 20, 21, 22, 23, 24	142-727 ...12	171-430 ...35
103-872 ...26	141-066	142-728 ...12	171-550 ...36, 37, 38, 40
103-882 ...25	.16, 17, 18, 19, 20, 21, 22, 23, 24	144-198 ...16, 19, 22	171-576 ...29
103-893 ...31	141-084 ...14	144-264 ...32	171-609 ...40
103-895 ...31	141-113	144-267 ...32	171-653 ...7, 8, 9
103-897 ...31	.16, 17, 18, 19, 20, 21, 22, 23, 24	144-295 ...32	171-666 ...29, 31
103-906 ...8, 9	141-114	144-307 ...32	171-668 ...29
103-908 ...7, 8	.16, 17, 18, 19, 20, 21, 22, 23, 24	170-003 ...33	171-712 ...40
103-909 ...7, 8	141-115 ...15	170-019 ...10, 33	171-782 ...28
103-910 ...7, 8	141-116 ...15	170-023 ...6, 7	171-799 ...36, 37, 38, 40
103-911 ...7, 8	141-134	170-026 ...31	171-820 ...40
103-918 ...29, 31	.16, 17, 18, 19, 20, 21, 22, 23, 24	170-052 ...10	171-883 ...29, 31
103-919 ...31	141-136 ...10	170-056 ...29	171-911 ...40
103-922 ...16, 17	141-155	170-073 ...25	171-913 ...40
103-923 ...19, 20	...16, 17, 18, 22, 23, 24	170-074 ...25	171-914 ...40
103-924 ...22, 23	141-156 ...16, 17, 18	170-075 ...27, 29, 31	171-919 ...4
103-925 ...18	141-157	170-110 ...29, 31	171-932 ...28
103-926 ...21	.16, 17, 18, 19, 20, 21, 22, 23, 24	170-118 ...29	171-934 ...10
103-927 ...24	141-204 ...31	170-120 ...31	171-935 ...12, 15
103-981 ...12	141-216 ...31	170-122 ...25, 29, 31	171-947 ...40
103-982 ...12	141-220 ...31	170-233 ...26	171-979 ...36, 37, 38
103-985 ...12	141-286 ...22, 23, 24	170-235 ...27, 29, 31, 35	172-024 ...13, 14
104-032 ...33	141-287	170-238 ...31	172-040 ...36, 37, 38
104-033 ...33	...19, 20, 21, 22, 23, 24	170-244 ...13, 15	172-110 ...5
104-559 ...7	141-291 ...10	170-248 ...31	172-207 ...36, 37, 38
104-640 ...16, 19, 22	141-294 ...10	170-249 ...10	172-209 ...36, 37, 38
104-646 ...7	141-297 ...4	170-262 ...29	172-210 ...36, 37, 38
104-703 ...31	141-301 ...4	170-302 ...29	172-239 ...31
132-701 ...28	141-302 ...4	170-369 ...37	172-288 ...10
133-942 ...29	141-318 ...39	170-465 ...35	172-289 ...13, 15
133-943 ...29	141-333 ...19, 20, 21	170-468 ...27	172-324 ...35
133-952 ...29, 31	141-366 ...4	170-490 ...40	172-360 ...9
134-389 ...29, 31	141-370 ...4	170-513 ...35	172-361 ...9
134-390 ...29	141-388 ...10	170-679 ...32, 33	172-362 ...9

Part Number Index

172-367 ...10	174-763 ...4	175-027 ...11	176-202 ...34
172-603 ...40	174-765 ...4	175-028 ...11	176-203 ...34
172-627 ...32, 33	174-769 ...13, 15	175-029 ...11	176-204 ...34
172-786 ...40	174-771 ...25, 31	175-030 ...11	176-205 ...34
172-793 ...25, 26	174-772 ...26	175-031 ...11	176-206 ...34
172-820 ...40	174-775 ...5	175-056 ...40	176-207 ...34
172-822 ...15	174-784 ...6, 7, 8, 9, 12, 14	175-059 ...38	176-208 ...34
172-999 ...6, 7, 8	174-792 ...40	175-060 ...38	176-209 ...34
173-001 ...6, 7, 8	174-793	175-062 ...29	176-303 ...32
173-002 ...6, 7, 8	...16, 17, 18, 19, 20, 21, 22, 23, 24	175-071 ...36, 38	176-579 ...31
173-003 ...7, 8	174-804 ...6	175-079 ...10	180-281 ...40
173-004 ...7, 8	174-807 ...15	175-080 ...36	180-768 ...13, 14
173-005 ...7, 8, 9	174-808 ...40	175-081 ...38	181-036 ...14
173-006 ...7, 8	174-822 ...26	175-082 ...10, 32, 33	181-040 ...27
173-007 ...6, 7, 8	174-823 ...25	175-083 ...36, 38	181-043 ...39
173-008 ...6	174-838 ...5	175-084 ...36, 38	181-048 ...15
173-021 ...29	174-839 ...4, 5	175-093 ...32, 33	303-163 ...40
173-031 ...6, 7	174-840 ...5	175-109 ...40	
173-032 ...6, 7, 8	174-843 ...26	175-124 ...10, 32, 33	
173-040 ...40	174-872 ...40	175-151 ...40	
173-077 ...39	174-873 ...10, 11	175-156 ...40	
173-078 ...40	174-883 ...37	175-174 ...7, 8, 9	
173-150 ...32, 33	174-904 ...11, 34	175-177 ...7	
173-170 ...6	174-905 ...11	175-178 ...7	
173-171 ...6	174-907 ...10	175-227 ...32, 33	
173-172 ...6	174-909	175-228 ...32, 33, 34	
173-173 ...6	...10, 32, 33, 36, 37, 38	175-229 ...32, 33	
173-174 ...6	174-924 ...40	175-230 ...40	
173-220 ...29, 31	174-925 ...10	175-239 ...33	
173-270 ...27	174-927 ...29	175-240 ...32, 33	
173-274 ...31	174-928 ...29	175-255 ...32, 33	
173-275 ...25, 27, 29, 31	174-966 ...36	175-274 ...32, 33	
173-281 ...40	174-967 ...38	175-275 ...32, 33	
173-282 ...40	174-979 ...7, 8, 9	175-276 ...32, 33	
173-285 ...25, 26	174-980 ...12, 14	175-278 ...38	
173-342 ...34	174-981 ...12, 15	175-331 ...6	
173-344 ...11	174-984 ...36, 37	175-332 ...6	
173-396 ...9	174-985 ...36, 37, 38	175-333 ...6	
173-483 ...26, 31	174-986 ...36, 37, 38	175-334 ...6	
173-488 ...27	174-987 ...36, 37, 38	175-335 ...6	
173-567 ...25	174-988 ...36, 37, 38	175-336 ...6	
173-583 ...13, 15	174-989 ...37	175-344 ...13, 15	
173-653 ...26	174-991 ...36, 37, 38	175-536 ...31, 32, 33	
173-658 ...31	174-992 ...36, 37, 38	175-703 ...31	
173-731 ...40	174-993 ...36, 37, 38	175-711 ...31	
173-945 ...40	174-994 ...36, 37, 38	175-790 ...40	
174-309 ...31	174-995 ...37	175-792 ...40	
174-577 ...7, 8, 9	174-996 ...36, 37	175-793 ...40	
174-610 ...34	175-001 ...36, 37	175-800 ...40	
174-673 ...5	175-002 ...37	175-811 ...40	
174-674 ...5	175-014 ...11	175-812 ...40	
174-675 ...5	175-015 ...11	175-813 ...40	
174-676 ...5	175-016 ...11	175-850 ...40	
174-686 ...40	175-017 ...11	175-862 ...40	
174-687 ...40	175-018 ...11, 33	175-863 ...40	
174-724 ...5	175-020 ...11, 33	175-864 ...40	
174-725 ...5	175-021 ...11	176-064 ...31, 32, 33	
174-755 ...6	175-022 ...11	176-197 ...34	
174-756 ...6	175-023 ...11	176-198 ...34	
174-757 ...6	175-024 ...11	176-199 ...34	
174-759 ...6	175-025 ...11	176-200 ...34	
174-762 ...13, 15	175-026 ...11	176-201 ...34	

Free Manuals Download Website

<http://myh66.com>

<http://usermanuals.us>

<http://www.somanuals.com>

<http://www.4manuals.cc>

<http://www.manual-lib.com>

<http://www.404manual.com>

<http://www.luxmanual.com>

<http://aubethermostatmanual.com>

Golf course search by state

<http://golfingnear.com>

Email search by domain

<http://emailbydomain.com>

Auto manuals search

<http://auto.somanuals.com>

TV manuals search

<http://tv.somanuals.com>