



Gas Cooktop
Installation, User and Service Instructions

GMS 955.1

Küppersbusch

EXTRAORDINARY KITCHENS BY DESIGN

**IMPORTANT: SAVE FOR LOCAL ELECTRICAL INSPECTOR'S USE.
READ AND SAVE THESE INSTRUCTIONS FOR FUTURE REFERENCE.
OBSERVE ALL FEDERAL, STATE AND LOCAL CODES AND ORDINANCES**

WARNING: If the information in this manual is not followed exactly, a fire or explosion may result causing Property damage, personal injury or death.

Do not store or use gasoline or other flammable vapors and liquid in the vicinity of this or any other appliance

WHAT TO DO IF YOU SMELL GAS

- 1. Do not try to light any appliance**
- 2. Do not touch any electrical switch**
- 3. Do not use any phone in your building**
- 4. Immediately call your gas supplier from a neighbor's phone. Follow the gas supplier's instructions**
- 5. If you cannot reach your gas supplier, call the fire department.**

Installation and service must be performed by a qualified installer, service agent or gas supplier.

Read this instruction booklet before installing and using the appliance

The Manufacturer will not be responsible for any damage to property or to persons caused by incorrect installation or improper use of this appliance

The manufacturer reserves the right to make changes to its products when considered necessary and useful, without Affecting the essential and operating characteristics.

This appliance has been designed for non-professional, domestic use only!

INDEX.....	Page 1
Gas installation requirements	Page 2
Electrical installation requirements.....	Page 2
Dimension and Distance Requirements.....	Page 3
Overall and Cutout Dimensions.....	Page 4
Gas tubing and Electrical location	Page 4
Installing the Cooktop.....	Page 4-5
Gas connection	Page 5
Electrical connection.....	Page 6
Room Ventilation.....	Page 6
Cooktop L.P Gas Conversion.....	Page 6-7
User Instructions.....	Page 8
Maintenance – Warranty and Service Information.....	Page 9
Wiring Diagram- parts identification.....	Page 9

Gas Installation Requirements

This appliance shall be installed by an authorized person and installed in accordance to The manufactures installation instructions. **IMPORTANT:** This Appliance must be installed in strict Compliance with all Federal, State and Local laws (Where applicable) In the absence of local codes, the installation must conform to American *National Standards, National Fuel Gas Code ANSI Z223.1 – Latest edition ** or B149.1*

If local code permits, a flexible metal appliance connection with the new AGA or CGA certified Design, max. 5 feet (1.5 mm) long, ½ "I.D. recommended for connecting this Cooktop to the gas supply line. Do not bend or damage the flexible connector when moving the Cooktop. The pressure regulator has ½ " female pipe thread. You will need to determine the fitting required, depending on the size of your gas supply line, the flexible metal connector and the shutoff valve.

The appliance and its individual shutoff valve must be disconnected from the gas supply piping system for testing. The maximum pressure applied to the unit for testing must not exceed ½ p.s.i (3.5kPa). The minimum pressure required to test the system must be at least 1" Water column (249 Pa) above the inlet specified manifold pressure to the appliance. The maximum inlet gas supply pressure to the regulator must not exceed 20" Water column (5 kPa).

The supplied regulator must be installed between the main gas supply line and the Cooktop. The regulator must be set to the proper gas supply. The gas pressure required on this unit is 4" Water column (Natural) and 11" Water column (Liquid Propane). The regulator is set to NAT from the factory.

This unit is shipped from the factory set for NATURAL GAS. This unit is supplied with a conversion kit to convert this unit to Liquid Propane (L.P.). You will find this kit along with the installation instructions and the operation booklet. *If the unit is converted it is recommended that you save all the Natural gas orifices in the event that the unit is to be converted back to natural gas In the future.*

WARNING! Only a licensed and certified Gas installer should attempt the conversion.

Electrical Installation Requirements

This appliance, when installed by a licensed and certified electrician must be electrically grounded in accordance With all Federal, State and Local laws (Where applicable). In the absence of local codes, the installation must conform To the *National electrical Code, ANSI/NFPA 70.*

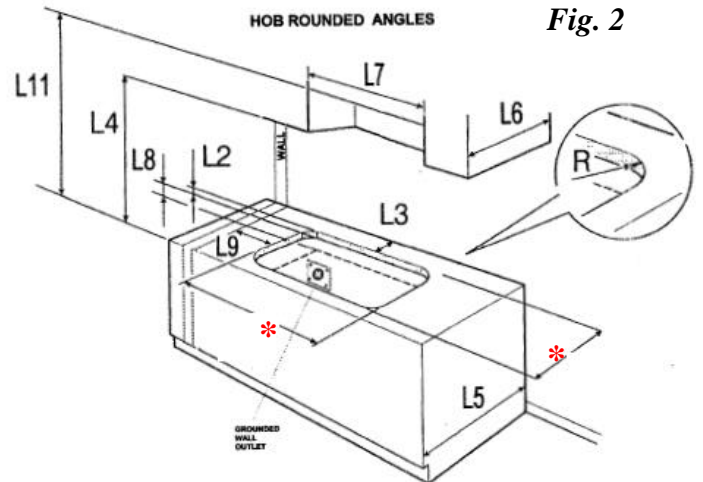
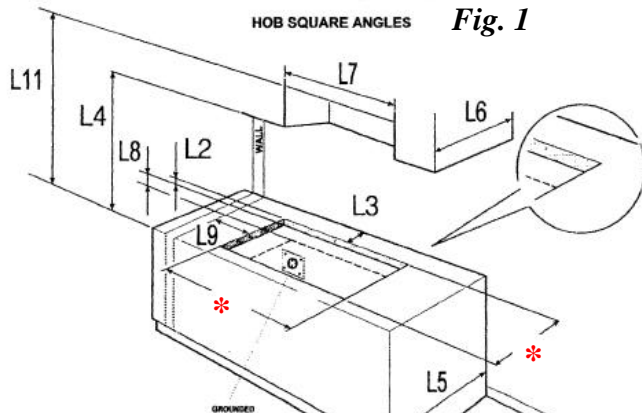
This unit requires a three-prong 120 volt, 15 amp 60 Hz wall connection. The unit is supplied with a 5 foot three Prong plug. The outlet must be grounded and polarized. A non-polarized outlet may cause erratic operation of the Ignition system.

WARNING! Electrical grounding instructions: This appliance is equipped with a three prong grounded plug for your protection against shock hazard and should be plugged directly into a properly grounded receptacle. Do not cut or remove the grounding prong from this plug.

Dimensions and Distances requirements

Cabinet overhead and side clearances

The minimum overhead clearances shall be in accordance with the minimum values indicated in **Fig. 1** for square angle cuts and **Fig. 2** for rounded cuts.



Minimum Clearances

* Refer to Fig 3 for Cooktop clearance dimensions

	Inches	Millimeters
L2	1 9/16"	40
L3	3 3/8"	86
L4	18"	457
L5	24"	610
L6	13"	330
L7	33 7/8"	860
L8	3/4"	20
L9	3 15/16"	100
L11	32"	813

All Range hoods and exhaust shall be installed in accordance with manufacturers instructions. However, in no case shall the clearance between the top of the highest burner of the cooking appliance and the range hood be less than 30" (762 mm).

Any other downward facing combustible surface less than 23 5/8" (600 mm) above the top of the highest burner shall be protected for the full width and depth of the cooking area.

Under no circumstances shall the clearance to any surface be less than 17 3/4" (450 mm) and the maximum depth for the overhead cabinets is not to exceed 13" (330 mm).

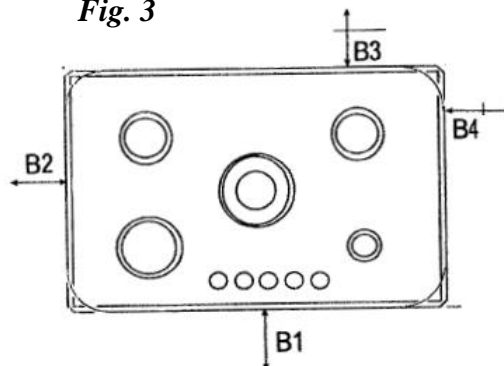
Cooktop clearance dimensions

Fig 3 shows the minimum clearances between the Cooktop surface and adjacent cabinetry. **B1** is the minimum distance between the front edge of the Cooktop and the front edge of the cabinet. **B2** and **B4** are the minimum clearance between left / right side edge of the appliance and the side wall and **B3** is the minimum clearance between the back edge of the cooktop and the back cabinet wall.

Minimum Clearances

	Inches	Millimeters
B1	1 3/8"	35
B2	3 1/2 "	90
B3	3"	76
B4	3 1/2"	90

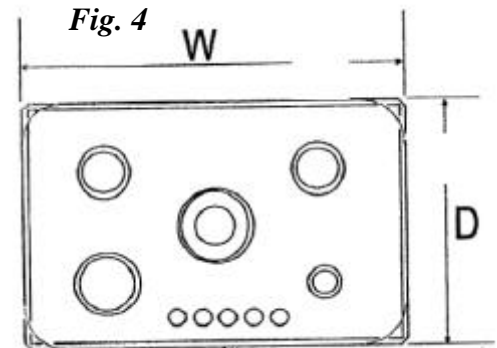
Fig. 3



Overall and Cutout Dimensions

Below are the required cutout dimensions and the overall dimensions of the cooktop as indicated in Fig. 4

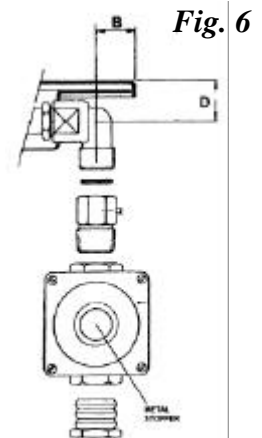
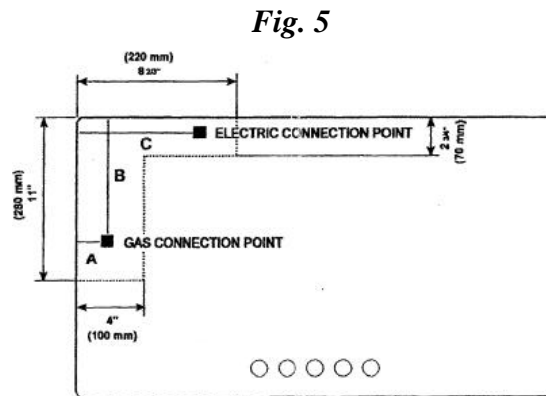
Overall			Cutout		
	<i>Inches</i>	<i>Millimeters</i>		<i>Inches</i>	<i>Millimeters</i>
W	33 7/8"	860	W	33 1/16"	840
D	19 11/16"	500	D	18 7/8"	480



Gas tubing and electrical location

Fig 5 shows the location of the gas supply and electrical outlet location. Fig 6 shows the placement of the supplied gas regulator. Refer to the chart for the required measurements.

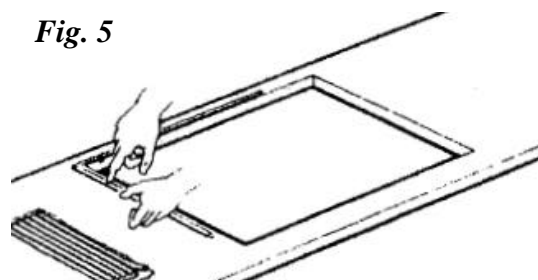
	<i>Inches</i>	<i>millimeters</i>
A	1 9/16"	45
B	8 1/4"	210
C	8 1/2"	215
D	1/8"	22



Installing the Cooktop

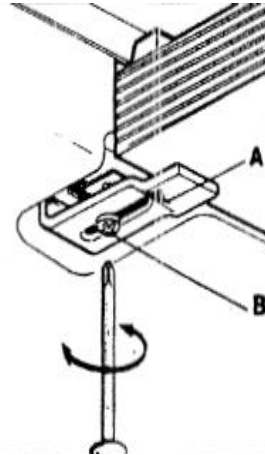
Please inspect all packing materials before discarding. After removing all packaged installation Parts from the box, make sure that the Cooktop is not damaged and is suitable for the particular Gas being used (Natural gas or liquid Propane). The unit is shipped ready to install to Natural gas. If the supplied gas is Liquid Propane (L.P.) Please refer to Page for gas conversion.

To prevent liquids from leaking accidentally into the underlying storage space, the appliance is equipped with a special gasket. Lay out the gasket and remove the protective coating and apply the gasket along the edge of the cabinet opening as indicated in Fig. 5.



Install the Cooktop into the cabinet. Install the supplied hold down brackets (A) to the underside of the Cooktop using the supplied Phillips head screws (B) as shown in Fig. 6. Slide the hooks into position and secure the cooktop to the countertop. Trim any exposed gasket seal.

Fig. 6



Gas Connection

Check the 'gas type' sticker attached to the Cooktop. Details of the injector sizes used are recorded on the data plate located on the base of the Cooktop.

Remove the regulator from the carton and install to the Cooktop. The inlet connection has a ½" B.S.P. male thread. It is essential that the elbow on the appliance be held firmly with a spanner wrench when connecting the supply. **DO NOT OVER TIGHTEN.** The regulator is adjustable for both **NAT** gas (4" w.c.) and **L.P** gas (11" w.c.)

After installing the gas supply and securing all connections make sure that all controls knobs are set to the "OFF" position and turn on the gas supply to the unit. Using soap and water solution or an electronic gas leak detector, check each gas connection one at a time. If using a liquid solution, completely cover the entire connection and inspect for bubbles. If any leaks are discovered, shut off main supply, repair the leak and retest. Make sure that the work area is properly ventilated. When all connections have been tested and no leaks discovered.

WARNING! Do not use an open flame, such as a match or cigarette lighter to check for leaks. Serious injury or death could result if a leaking connection is ignited.

To check inlet gas pressure being supplied to the Cooktop proceed with the following:

- A) Disconnect electric power before pressure checking is carried out
- B) Take off one of the gas burner caps and the relative flame spreader in order to gain access to the burner orifice.
- C) Attached the test meter to the outlet of the orifice. Turn the gas valve knob to the maximum position and keep the knob depressed. The meter should register 4" w.c. on NAT gas and 11" w.c. on LP gas.
- D) Once the testing is complete, replace the burner cap and the flame spreader and reconnect electrical supply

To test the operation of the Cooktop, turn on each burner and check for proper operation. Check each burner for a clear blue flame without yellow tipping. If the flame appears to be uneven or excess yellowing, check the positioning of the burner cap and flame spreader.

Sometimes the burners will not ignite immediately and seem to "Blow" slightly when they ignite. This is normal on LAP gas due to the heaviness of the gas. Also, if any air is present in the gas system, a "Sputtering" condition can occur. Both of these conditions are normal and do not affect the performance of the Cooktop.

If after following the instructions given and satisfactory performance cannot be obtained, contact your local gas authority for advice and assistance

Electrical Connection

WARNING! This appliance is equipped with a three-prong grounding plug for your protection against shock hazard and should be plugged directly into a properly grounded receptacle. Do not cut or remove the grounding prong from the plug. Please refer to Fig. 5 On page 5 for the location of the electrical wall plug.

This unit requires a 15 amp polarized and grounded wall outlet. Failure to properly polarize the outlet may cause erratic discharges from the burner spark system. This unit is supplied with a three-prong 120-volt 60 Hz cord. The cord is ___ in length.

Room Ventilation

An exhaust fan may be used with the appliance; in each case it shall be installed in conformity with all Federal, state and local building codes. Please note that the use of an exhaust hood may affect other vented appliances

Conversion of unit to operate on L.P. Gas

WARNING! This conversion must be performed by a certified and licensed gas installer. Failure to comply may result in improper operation, which could result in injury or death. Please consult your local governing officials for all Federal, State and local building codes. Failure to comply may result in the voiding of the product warranty.

Note:

This unit is shipped from the factory to operate on NATURAL gas. The following procedures are to convert from NAT to Liquid propane (L.P.) operation.

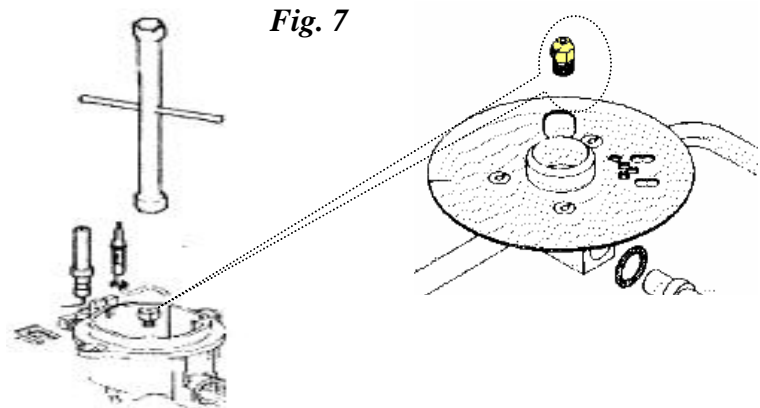
Replacement procedure- burner orifices

- 1) Remove all burner grates and place in a secured location.
- 2) Remove all five burner caps and flame spreader and place in a secured location.
- 3) Using a 7 mm socket or spanner wrench, locate the burner orifice at the base of the burner box and remove using a counter clockwise rotation. Fig. 7 shows the location of the orifice.

Note:

Please place all five NAT gas orifices in a secured location in the event that the unit is to be converted back to NAT gas in the future

- 4) Reinstall all five burner caps and flame spreaders. Make sure the caps are positioned properly on the burner base.

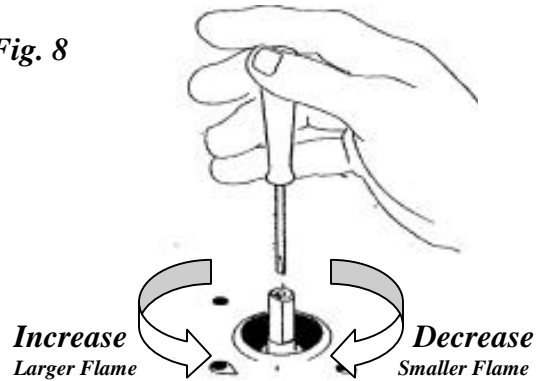


Proceed to the By-pass screw adjustment on page 7

By-pass jet adjustment for low flame setting

- 1) Turn the right front burner on to ignite. Once lit, turn to the lowest setting (small flame).
- 2) Remove the knob from the cooktop and place in a secured location.
Locate the adjustment screw shown in Fig. 8 in the center of the burner valve shaft.

Fig. 8



- 3) Using a small flat blade screwdriver, locate and adjust the screw to obtain a proper flame height. A clockwise adjustment will decrease the output while a counterclockwise adjustment will increase the output. Adjusting the screw too low will result in the flame going out while adjusting too high will result at a larger flame than required for a simmer.

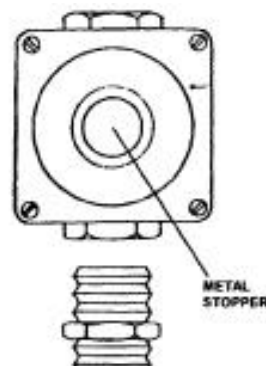
Note: A properly adjusted low flame setting will result in the flame reaching to the underside edge of the burner cap!

Regulator adjustment for L.P.Gas

The gas pressure regulator supplied is a universal type that can be set for either Nat or L.P gas. The unit is shipped set To NAT gas.

- 1) Unscrew the cap shown in Fig. 9 to expose the white adjuster which is screwed into the underside of the metal cap.

Fig. 9



- 2) If you notice, the white striker has the letters NAT at the base. Unscrew the white striker from the base and rotate 180 degrees and re-install the striker in the cap. You will now see the Letters LP which now indicates that the Regulator is now set to Liquid Propane (L.P.).
- 3) Re-install the metal cap into the regulator housing and hand tighten. The regulator is now set to L.P.

Note: If the unit is converted back to NAT gas in the future, follow the above steps to convert back to NAT gas operation.

The unit is now ready to be operated on L.P gas.Conversion Complete!

User instructions

WARNING!

Keep the appliance area clear and free from combustible materials, gasoline and other flammable vapors and liquids.

Do not store dangerous or flammable material in the cabinet areas above the appliance. Store all flammable materials in a safe place to avoid potential hazards.

For safe use of appliances, do not use this unit as a source of space heating. Do not use aerosol sprays in the vicinity of the appliance while it is in operation.

Operation procedures

A diagram is etched on the control panel above each knob which indicates which burner corresponds to that knob.

Manual ignition:

Manual ignition is always possible even when the electrical supply is cut off or in the event of a prolonged power failure. Turn the knob that corresponds to the burner selected counterclockwise to the MAXIMUM position at the etched star (Large flame) and place a lit match up to the burner. This unit operates on a thermocouple safety system. Keep the knob depressed for 5- 8 seconds in order for the unit to operate. If the flame is extinguished the thermocouple will cool and the safety system will kick in and shut off the gas supply to the burner orifice. In order to relight the burner repeat the procedures outlined in this paragraph.

Automatic electric ignition:

Turn the knob that corresponds to the burner selected counterclockwise to the MAXIMUM position at the etched star (Large flame) and press down on the knob to activate the automatic ignition system. When the burner ignites keep the knob depressed for an additional 5-8 seconds to allow the flame to heat the thermocouple. If the burner does not remain lit after releasing the knob repeat the procedure outlined in this paragraph.

Tips for using the burners correctly

- Use suitable pots for each burner as shown in Fig. 10. and as shown in the Chart below
- Always use pots with a cover.
- When the liquid is boiling, turn down the knob to the MINIMUM position.
- Dry the bottom of the pan before placing it on the Cooktop
- Use pots with a flat, thick bottom with the exception of wok cooking
- When using the burners, ensure that the handles of the pans are correctly positioned. Keep children away from the appliance.
- When cooking foods with oil and fat, which are flammable, the user should not leave the appliance unattended.

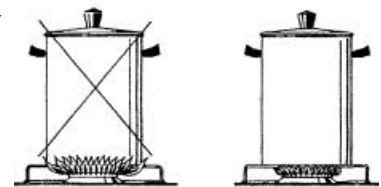


Fig. 10

Recommended pan diameters

Burner	<i>Inches</i>	<i>Millimeters</i>
Small	3 ½" – 5 ½"	90 -140
Medium	5 ½" - 10 ¼"	140-260
Large	7" – 10 ¼"	180 -260
Wok	8 ¾" -10 ¼"	220- 260

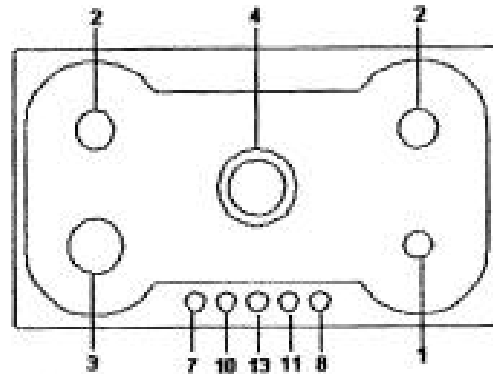
Note: The use of a gas cooking appliances produces heat and humidity in the room where it is installed. Therefore, proper ventilation in the room is needed and natural ventilation openings must remain unobstructed.

Maintenance

- Never use an abrasive cleaner
- Before cleaning the appliance it is available that the unit should be disconnected from the power supply.
- Cleaning the work surface periodically. Clean the burner heads, the enameled steel pan supports and the burner caps using warm water and a mild detergent. Avoid using steel wool for the fibers of the pad could affect the electronic igniters.
- Any spillage must always be removed as soon as possible using a rag or damp cloth. If the gas valves become difficult to operate due to corrosion or normal wear and tear, please contact Küppersbusch service at the number shown on page 10.
- Enameled parts should be cleaned frequently with soapy water. Never use abrasive powder or cleansers. Do not leave acidic or alkaline substances on the enameled parts (Such as vinegar, lemon juice, salt, tomato sauce, etc.) and do not wash the enameled parts while they are still hot.
- Clean the stainless parts with soapy water and then dry with a soft cloth. The shine is maintained by periodically using a suitable product which can be found in a supermarket which is specifically designed for stainless steel. Never use abrasive powders.
- The burner caps may be removed from the Cooktop and washed in soapy water and then dried thoroughly. Before replacement on the burner head ensure that the holes are free of debris. Erratic flame dispersion from the burner head is a sign of clogged ports on the burner head.

Parts identification – Wiring Diagram

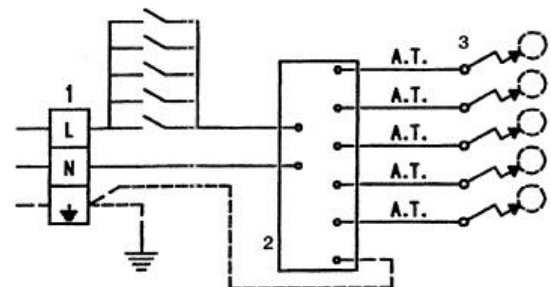
- 1 R.F Small Burner
- 2 L.R and RR Medium Burner
- 3 L.F Large Burner
- 4 Center Wok Burner
- 7 L.F Burner Knob
- 8 R.F Burner Knob
- 10 L.R Burner Knob
- 11 R.R Burner Knob
- 13 Center Burner Knob



Warranty

- 2-year Parts and labor warranty
- 5-Year Functional Parts Warranty

WIRING DIAGRAM



After Sales Service

If in the event of a problem that you can't easily fix yourself,
Please contact the Küppersbusch Service department at:

1-800-251-7790

For parts ordering, use & care and all other general
Questions, please contact the Küppersbusch Customer
Service department at:

1-800-459-0844

Küppersbusch USA
4920 W. Cypress Street, Suite 106
Tampa, Florida 33607
Telephone: 800-459-0844 Fax: 813-288-8604
After Sales Service: 800-251-7790
www.kuppersbuschusa.com
Küppersbusch USA is a division of Tekka USA

Free Manuals Download Website

<http://myh66.com>

<http://usermanuals.us>

<http://www.somanuals.com>

<http://www.4manuals.cc>

<http://www.manual-lib.com>

<http://www.404manual.com>

<http://www.luxmanual.com>

<http://aubethermostatmanual.com>

Golf course search by state

<http://golfingnear.com>

Email search by domain

<http://emailbydomain.com>

Auto manuals search

<http://auto.somanuals.com>

TV manuals search

<http://tv.somanuals.com>