

# Instruction Manual

**EMWK1050.1E-UL**

USA

---

**Küppersbusch**

ALLERFEINSTE KÜCHENTECHNIK



Dear Customer:

Before going any further, we want to thank you for preferring our product. We are sure that this modern, functional and practical microwave oven, manufactured with top quality materials, will fully meet your expectations.

We ask you to read the instructions in this booklet very carefully as this will allow you to get the best results from using your microwave oven.

**KEEP THE DOCUMENTATION OF THIS PRODUCT FOR FUTURE REFERENCE.**

**Always keep the instruction manual handy. If you lend the microwave oven to someone else give them the manual as well!**

## Environmental protection

### Disposal of the packaging

The packaging bears the Green Point mark.

Dispose of all the packaging materials such as cardboard, expanded polystyrene and plastic wrapping in the appropriate bins. In this way you can be sure that the packaging materials will be re-used.

### Disposal of equipment no longer used



According to European Directive 2002/96/EC on the management of waste electrical and electronic equipment (WEEE), home electrical appliances should not be put into the normal systems for disposal of solid urban waste.

Outdated appliances should be collected separately to optimise component material recovery and re-cycling rates and to prevent potential harm to human health and the environment. The symbol of a rubbish container superimposed by a diagonal cross should be put on all such products to remind people of their obligation to have such items collected separately.

Consumers should contact their local authorities or point of sale and request information on the appropriate places to leave their old home electrical appliances.

Before disposing of your appliance, render it non-usable by pulling out the power cable, cutting this and disposing of it.

# USA

## Contents

Installation instructions.....	3
Grounding Instructions .....	4
Important safety instructions.....	5
Precautions to avoid possible exposure to excessive Microwave energy .....	7
The advantages of microwaves .....	10
Description of your oven .....	11
Basic controls .....	12
Basic Functions .....	13
Special functions .....	20
When the oven is working.....	23
Defrosting.....	24
Cooking with a microwave oven .....	26
Cooking with the grill.....	29
Roasting and baking.....	32
What kind of ovenware can be used? .....	35
Oven Cleaning and Maintenance .....	37
What should I do if the oven doesn't work? .....	39
Technical characteristics.....	41
Installation.....	42

# Installation instructions

## Before installation

**Check that the input voltage** indicated on the characteristics plate is the same as the voltage of the power outlet you are going to use.

Open the oven door and **take out all the accessories** and remove the packing material.

**Do not remove the mica cover** on the ceiling of the interior! This cover stops fat and pieces of food damaging the microwave generator.

**Warning!** The front surface of the oven may be wrapped with a **protective film**. Before using the oven for the first time, carefully remove this film, starting on the inside.

**Make sure that the oven is not damaged in any way.** Check that the oven door closes correctly and that the interior of the door and the front of the oven opening are not damaged. If you find any damage contact the Technical Assistance Service.

**DO NOT USE THE OVEN** if the power cable or the plug is damaged, if the oven does not function correctly or if it has been damaged or dropped. Contact the Technical Assistance Service.

Put the oven on a flat and stable surface. The oven must not be put close to any sources of heat, radios or televisions.

**During installation, make sure that the power cable does not come into contact with any moisture or objects with sharp edges behind the oven.** High temperatures can damage the cable.

**Warning:** after the oven is installed you must make sure you can access the plug.

## After installation

The oven is equipped with a power cable and a plug for single phase current.

**If the oven is to be installed on a permanent basis** it should be installed by a qualified technician. In such a case, the oven should be connected to a circuit with an all-pole circuit breaker with a minimum separation of 3 mm between contacts.

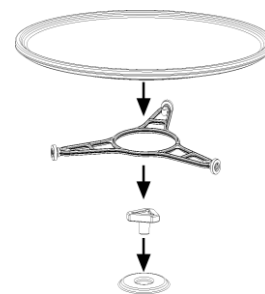
**WARNING: THE OVEN MUST BE EARTHED.**

**The manufacturer and retailers do not accept responsibility** for any damage that may be caused to people, animals or property if these installation instructions are not observed..

**The oven only functions** when the door is closed correctly.

After the first use, clean the inside of the oven and the accessories, following the cleaning instructions given in the section "Oven cleaning and maintenance".

Fit the Turntable support in the centre of the oven cavity and put the Turntable ring and the Turntable plate on top, making sure they slot in. Whenever you use the microwave, the turntable plate and the respective accessories must be inside and correctly fitted. The turntable plate can rotate in both directions.



**During installation, follow the instructions supplied separately.**

# GROUNDING INSTRUCTIONS

This appliance must be grounded. In the event of an electrical short circuit, grounding reduces the risk of electric shock by providing an escape wire for the electric current. This appliance is equipped with a cord having a grounding wire with a grounding plug. The plug must be plugged into an outlet that is properly installed and grounded.

**Warning! IMPROPER USE OF THE GROUNDING CAN RESULT IN A RISK OF ELECTRICAL SHOCK.**

Consult a qualified electrician or serviceman if the grounding instructions are not completely understood, or if doubt exists as to whether the appliance is properly grounded, and do not use an extension cord. If the power supply cord is too short, have a qualified electrician or serviceman install an outlet near the appliance.

# IMPORTANT INSTRUCTIONS

# SAFETY

When using electrical appliances basic safety precautions should be followed, including the following:

**Warning! To reduce the risk of burns, electric shock, fire, injury to persons, or exposure to excessive microwave energy:**

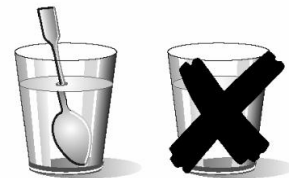
- Read all instructions before using the appliance.
- Read and follow the specific **“PRECAUTIONS TO AVOID POSSIBLE EXPOSURE TO EXCESSIVE MICROWAVE ENERGY”** found on this manual.
- This appliance must be grounded. Connect only to properly grounded outlet. See **“GROUNDING INSTRUCTIONS”** found on this manual.
- Install or locate this appliance only in accordance with the provided installation instructions.
- Some products such as whole eggs and sealed containers – for example, closed glass jars are able to explode and should not be heated in this oven.
- Use this appliance only for its intended use as described in the manual. Do not use corrosive chemicals or vapors in this appliance. This type of oven is specifically designed to heat, cook, or dry food. It is not designed for industrial or laboratory use.
- As with any appliance, close supervision is necessary when used by children.
- Do not operate this appliance if it has a damaged cord or plug, if it is not working properly, or if it has been damaged or dropped.
- This appliance should be serviced only by qualified service personnel. Contact nearest authorized service facility for examination, repair, or adjustment.
- Do not cover or block any openings on the appliances.
- Do not store this appliance outdoors. Do not use this product near water – for example, near a kitchen sink, in a wet basement, near a swimming pool, or similar locations.
- Do not immerse cord or plug in water.
- Keep cord away from heated surfaces.
- Do not let cord hang over edge of table or counter.
- When cleaning surfaces of door and oven that comes together on closing the door, use only mild, nonabrasive soaps, or detergents applied with a sponge or soft cloth.

# IMPORTANT INSTRUCTIONS

# SAFETY

## To reduce the risk of fire in the oven cavity:

- Do not overcook food. Carefully attend appliance when paper, plastic, or other combustible materials are placed inside the oven to facilitate cooking.
- Remove wire twist-ties from paper or plastic bags before placing bag in oven.
- If materials inside the oven ignite, keep oven door closed, turn oven off, and disconnect the power cord, or shut off power at the fuse or circuit breaker panel.
- Do not use the cavity for storage purposes. Do not leave paper products, cooking utensils, or food in the cavity when not in use.
- Liquids such as water, coffee, or tea are able to be overheated beyond the boiling point without appearing to be boiling.
- Visible bubbling or boiling when the container is removed from the microwave oven is not always present. THIS COULD RESULT IN VERY HOT LIQUIDS SUDDENLY BOILING OVER WHEN THE CONTAINER IS DISTURBED OR A UTENSIL INTO THE LIQUID.



- To avoid that type of situation when heating liquids, put a teaspoon or glass rod inside the container.

## SAVE THESE INSTRUCTIONS!



# PRECAUTIONS TO AVOID POSSIBLE EXPOSURE TO EXCESSIVE MICROWAVE ENERGY

- Do not attempt to operate this oven with the door open since open – door operation can result in harmful exposure to microwave energy. It is important not to defeat or tamper with the safety interlocks.
- Do not place any object between the oven front face and the door or allow soil or cleaner residue to accumulate on sealing surfaces.
- Do not operate the oven if it is damaged. It is particularly important that the oven door close properly and that there is no damage to the: door (bent), hinges and

latches (broken or loosened), door seals and sealing surfaces.

The oven should not be adjusted or repaired by anyone except properly qualified service personnel.

- **Pacemakers:**

Most pacemakers are shielded from interference from electronic products, including microwaves. However, patients with pacemakers may wish to consult their physicians if they have concerns.

# Microwave safety



- **Warning!** Never leave the oven unwatched, especially when using paper, plastic or other combustible materials. These materials can char and may fire. **FIRE RISK!**
- **Warning!** Do not heat pure alcohol or alcoholic drinks in the microwave. **FIRE RISK!**
- **Warning!** Do not heat liquids or other foods in closed containers since these may explode readily.
- **Warning!** This appliance is not intended for use by persons (including children) with reduced physical, sensory or mental capabilities, or lack of experience and knowledge, unless they have been given supervision or instruction concerning use of the appliance by a person responsible for their safety. Children should be supervised to ensure that they do not play with the appliance.
- **Warning!** If the oven has a combined function mode (microwave with other means of heating), children should not be allowed to use the oven without adult supervision on account of the high temperatures generated.
- **Warning!** The oven cannot be used if:
  - The door is not closed correctly;
  - The door hinges are damaged;
  - The surfaces of the contact between the door and the oven front are damaged;
  - The door window glass is damaged;
  - There is frequent electrical arcing inside the oven even though there is no metal object inside.
- The oven **can only be used again** after it has been repaired by a Technical Assistance Service technician.

## Beware!

- **Never heat baby foods or drinks in bottles or jars with the teats or lids on them. After heating the food mix or shake well so that the heat is spread evenly. Check the food temperature before feeding this to the child. DANGER OF BURNING!**
- To avoid food overheating or burning it is very important not to select long time periods or power levels that are too high when **heating small quantities of food**. For example, a bread roll can burn after 3 minutes if the power selected is too high.
- For toasting, use just the grilling function and watch the oven all the time. If you use a combined function to toast bread it will catch fire in a very short time.
- Make sure you never catch the power cables of other electrical appliances in the hot door or the oven. The cable insulation may melt. **Danger of short-circuiting!**

## Take care when heating liquids!

When liquids (water, coffee, tea, milk, etc.) are nearly at boiling point inside the oven and are taken out suddenly, they may spurt out of their containers. **DANGER OF INJURIES AND BURNS!**

# Microwave safety

**This oven is exclusively for domestic use!**

**Use the oven only for preparing meals.**

**Avoid damaging the oven or other dangerous situations by following these instructions:**

- Do not switch on the oven without the **turntable support**, the **turntable ring** and the respective **plate** being in place.
- **Never switch on the microwave when it is empty.** If there is no food inside there may be an electrical overcharge and the oven could be damaged. **RISK OF DAMAGE!**
- **For carrying out oven programming tests** put a glass of water inside the oven. The water will absorb the microwaves and the oven will not be damaged.
- Use only **dishes suitable for microwaves.** **Before using dishes and containers** in the microwave, check that these are suitable (see the section on types of dishes).
- **Never remove the mica cover on the ceiling of the oven interior!** This cover stops fat and pieces of food damaging the microwave generator.
- Do not keep any **flammable object** inside the oven as it may burn if the oven is switched on.
- Do not use the oven as a **pantry.**
- **Eggs with their shells** and **whole boiled eggs** must not be heated in microwave ovens because they may explode.
- Do not use the oven for **frying** as it is impossible to control the temperature of oil heated by microwaves.
- **To avoid being burnt**, always use oven gloves for handling dishes and containers and touching the oven.
- **Do not lean or sit on the open oven door.** This may damage the oven, especially in the hinge zone. The door can bear a maximum weight of 8 kg.

- **The turntable and the grills can bear a maximum load of 8 kg.** To avoid damaging the oven, do not exceed this load.

## Cleaning:

- **Warning!** Your microwave oven must be cleaned regularly. All food remains must be removed (see section on Oven Cleaning). If the microwave oven is not kept clean its surface may deteriorate **and this may shorten the oven's working life and could even result in a dangerous situation.**
- The door contact surfaces (the front of the cavity and the inside part of the doors) must be kept very clean in order to ensure the oven functions correctly.
- Please follow the instructions regarding cleaning in the section "Oven Cleaning and Maintenance".

## Repairs:

- **Warning – Microwaves! The outer protection of the oven must not be removed.** It is dangerous for anyone not authorised by the manufacturer to carry out any kind of repair or maintenance work.
- If the power cable is damaged it should be substituted by the manufacturer, authorised agents or technicians qualified for this task in order to avoid dangerous situations. Furthermore, special tools are required for this task.
- Repair and maintenance work, especially of current carrying parts, can only be carried out by technicians authorised by the manufacturer.

# The advantages of microwaves

In conventional ovens, heat radiated by electrical elements or gas burners slowly penetrates the food from outside to inside. On account of this there is a major amount of energy is wasted heating the air, the oven components and the food containers.

In a microwave oven, heat is generated by the food itself and the heat travels from inside to outside. No heat is lost to the air, the walls of the oven cavity or the dishes and containers (if these are suitable for use in microwave oven), in other words, only the food is heated.

Microwave ovens have the following advantages:

1. Shorter cooking times; in general these are up to 3/4 less than the time required for conventional cooking.
2. Ultra-fast food defrosting, thus reducing the danger of bacterial development.
3. Energy savings.
4. Conservation of the nutritional value of foods due to the shorter cooking times.
5. Easy to clean.

## How a microwave oven works

In a microwave oven there is a high tension valve called a magnetron which converts electrical energy into microwave energy. These electromagnetic waves are channelled to the interior of the oven through a wave guide and distributed by a metallic spreader or through a turntable.

Inside the oven the microwaves propagate in all directions and are reflected by the metal walls, uniformly penetrating the food.

## Why food heats up

Most foods contain water and water molecules vibrate when subjected to microwaves.

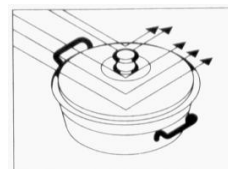
The friction between molecules produces heat which raises the temperature of the food, de-freezing it, cooking it or keeping it hot.

Since the heat arises inside the food:

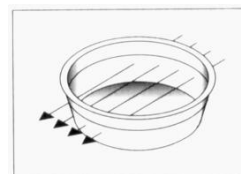
- This can be cooked with little or no liquid or fats/oils;
- De-freezing, heating or cooking in a microwave oven is quicker than in a conventional oven;
- The vitamins, minerals and nutritional substances in the food are conserved;
- The natural colour and aroma of the food are unchanged.

Microwaves pass through china, glass, cardboard or plastic but do not go through metal. For this reason, metal containers or ones with metal parts must not be used in a microwave oven.

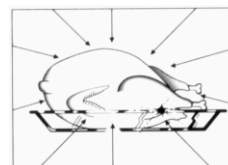
Microwaves are reflected by metal...



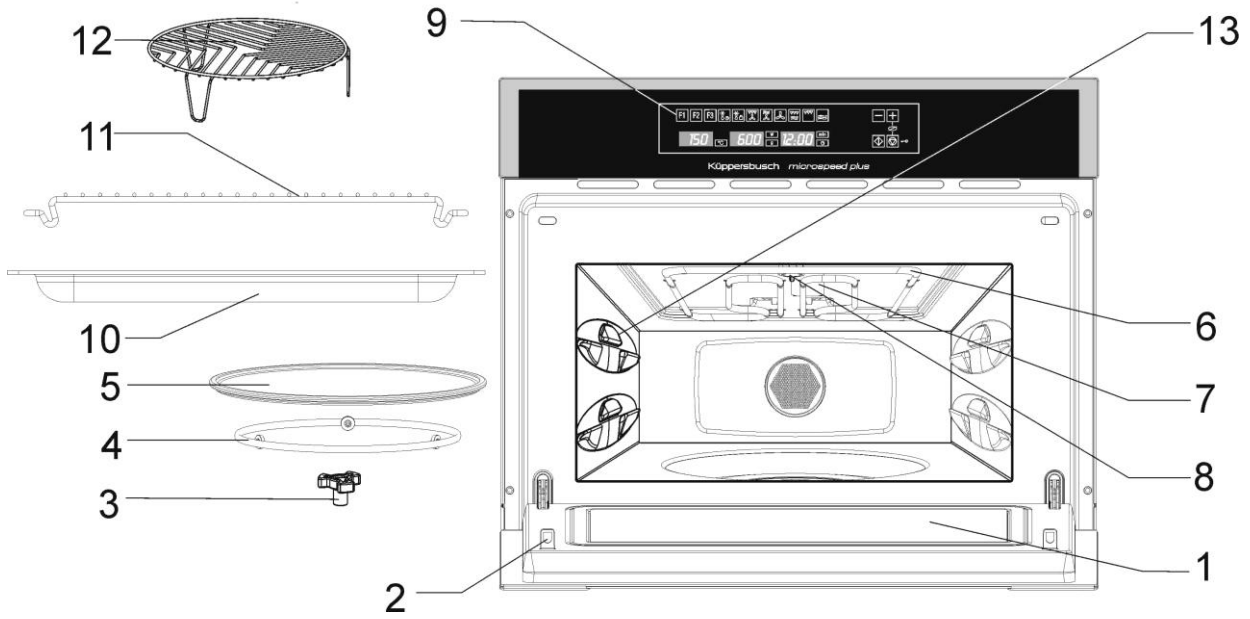
... but go through glass and china...



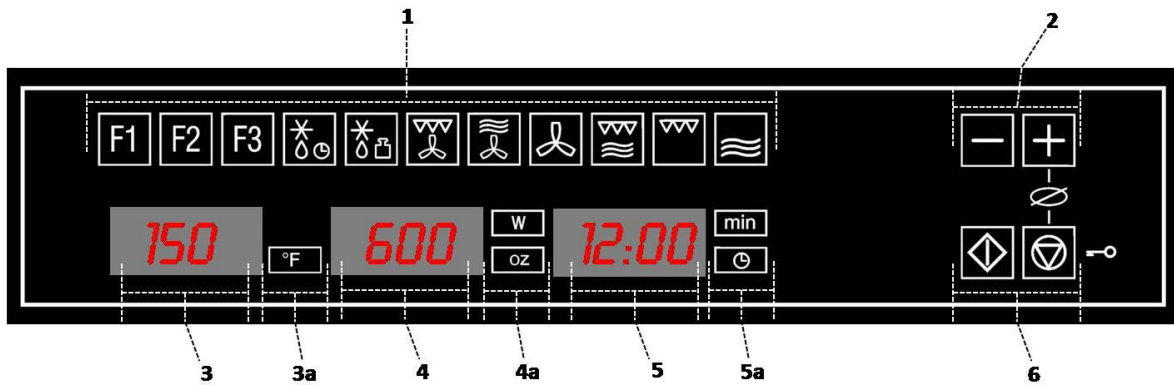
... and are absorbed by foods.



# Description of your oven



- 1. – Door window glass
- 2. – Catches
- 3. – Turntable support
- 4. – Turntable ring
- 5. – Turntable plate
- 6.- Drop-down grill
- 7. – Mica cover
- 8. – Lamp bulb
- 9. – Control panel
- 10. – Glass tray
- 11. – Rectangular rack  
(Don't use with Microwaves)
- 12. – Rack
- 13. – Lateral supports



- 1. – Function lights
- 2. – Function selection key
- 3. – Oven Temperature selection key
- 3a.- Oven Temperature indication light
- 4. – Power/Weight selection key
- 4a. – Power/Weight indication lights
- 5. – Clock/ Time selection key
- 5a. – Clock/ Time indication lights
- 6. – Start and Stop/ Safety blocking keys

## Setting the clock



After your microwave oven is first plugged in or after a power failure, the clock display will flash to indicate that the time shown is not correct. To set the clock, proceed as follows:

1. Press the **Clock** key. The hour numbers will start to flash.
2. Press key “-” and “+” to set the hours.

3. Press again the **Clock** key to set the minutes. The minute numbers will start to flash.
4. Press key “-” and “+” to set the minutes.
5. To finish, press the **Clock** key again.

## Hiding/Displaying the Clock

If the clock display disturbs you, you can hide it by pressing the **Clock** key for 3 seconds. The dots that separate the hours and minutes will flash but the rest of the clock display will be hidden.

If you want to see the clock display again, press the **Clock** key again for 3 seconds.

## Safety blocking



The oven functioning can be blocked (for example, to stop it being used by children).

1. To block the oven, press the **Stop** key for 3 seconds. You will hear a sound signal and the **display** will show the word “SAFE”. The

oven is blocked in this state and cannot be used.

2. To unblock the oven, press the **Stop** key again for 3 seconds. You will hear a sound signal and the **display** will show the time again.

## Basic Functions

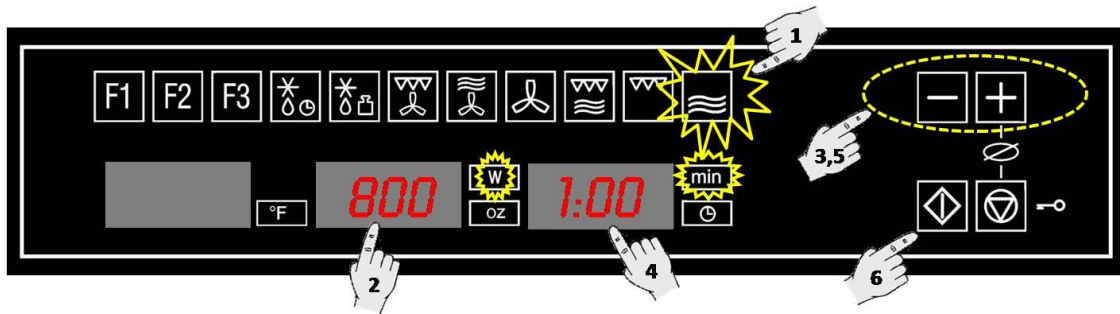
### Stopping the rotating plate



1. To stop the rotating plate, press the “+” key and the “**Stop**” key at the same time
2. To start plate rotation again, press the “+” Key and the “**Stop**” key at the same again.

### Microwave oven

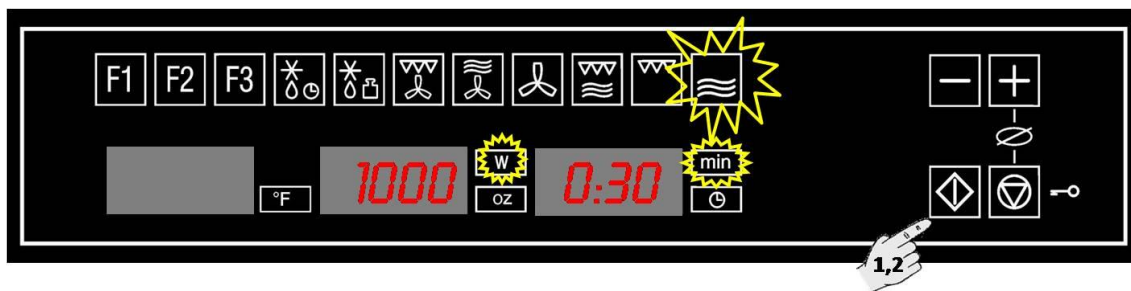
Use this function to cook and heat vegetables, potatoes, rice, fish and meat.



1. Press the Microwave function key. The function key lights up.
  2. Press the Power Selection key to change the microwave power. The respective light will start to flash. If you do not press this key, the oven operates at 800 W power.
  3. To change the microwave power press key “-” and “+”.
  4. Press the Time Selection key to change the operating time. The correspondent light will start to flash.
  5. Press key “-” and “+”, to change the function time (e.g. 1 minute).
  6. Press the START key. The oven will start to operate
- NOTE: When 1000 W power is selected, the operating time is limited to a maximum of 15 minutes.

## Microwave oven – Quick Start

Use this function to rapidly heat foods with high water content, such as water, coffee, tea or thin soup.



1. Press the **Start** key. The oven starts to operate in the Microwave function at maximum power for 30 seconds.
2. If you want to increase the operating time press the **Start** key again. Each time you

press this key the operating time will be increased by 30 seconds.

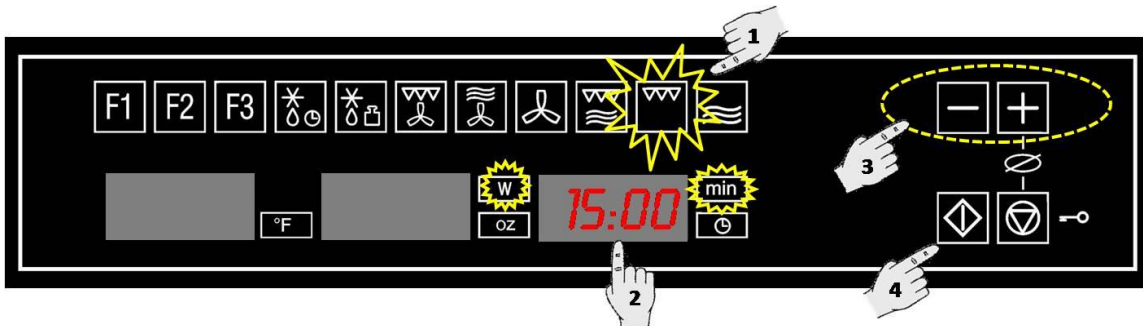
**NOTE: When 1000 W power is selected, the operating time is limited to a maximum of 15 minutes.**



## Basic Functions

### Grill

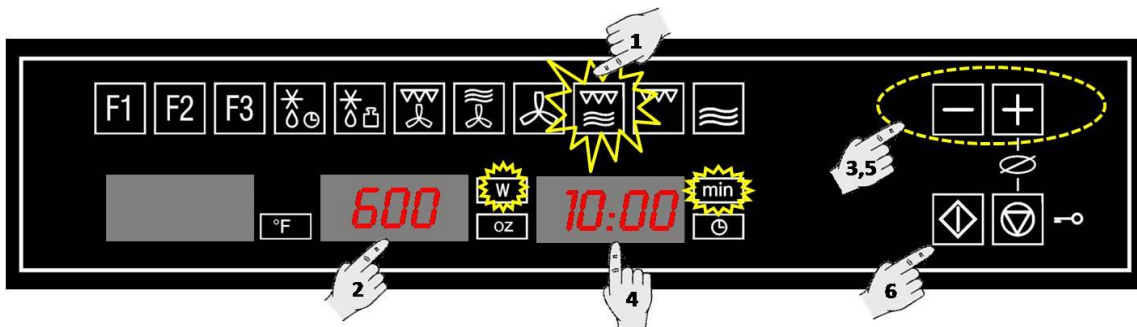
Use this function to brown the top of food quickly.



1. Press the function key **Grill**. The function key lights up.
2. Press the **Time Selection** key to change the operating time. The correspondent light will start to flash.
3. Press key “-” and “+”, to change the function time (e.g. 15 minutes).
4. Press the **Start** key. The oven will start to operate.

### Microwave + Grill

Use this function to cook lasagne, poultry, roast potatoes and toasted foods.



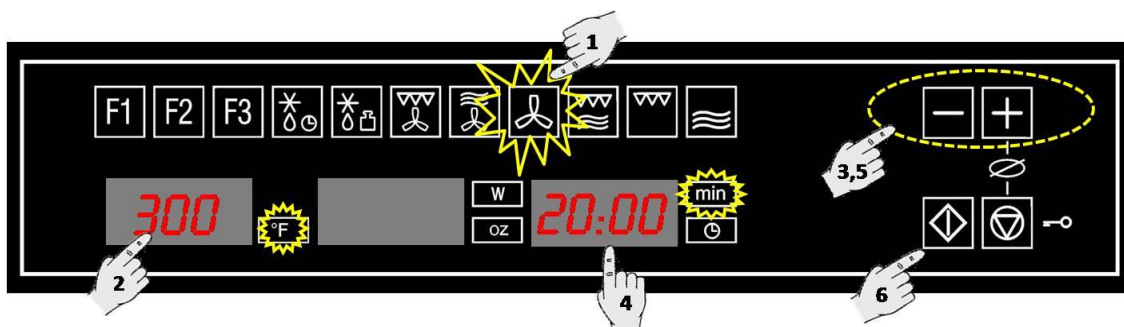
1. Press the function key **Microwave + Grill**. The function key lights up.
2. Press the **Power Selection** key to change the microwave power. The respective light will flash. If you do not press this key, the oven operates at 600 W power.
3. To change the microwave power press key “-” and “+”.
4. Press the **Time Selection** key to change the operating time. The respective light will start to flash.
5. Press key “-” and “+”, to change the function time (e.g. 10 minutes).
6. Press the **Start** key. The oven will start to operate.
7. In combined mode, the microwave oven power is limited to 600 W.

# USA

## Basic Functions

### Hot air

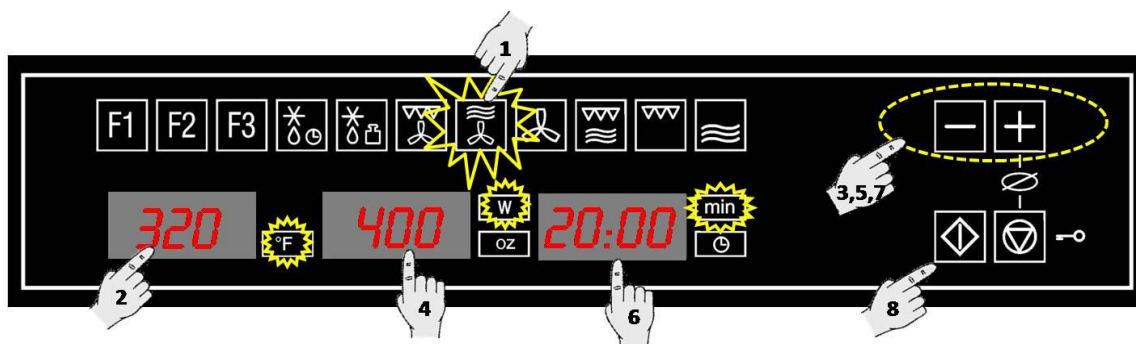
Use this function to bake and roast.



1. Press the function key Hot air. The function key lights up.
2. Press the temperature key to change the temperature. The respective light will flash. If you do not press this key, the oven operates at
3. To change the temperature press key “-” and “+”.
4. Press the **Time Selection** key to change the operating time. The respective light will start to flash.
5. Press key “-” and “+”, to change the function time (e.g. 12 minutes).
6. Press the **Start** key. The oven will start to operate.

### Microwave + Hot air

Use this function to bake and roast

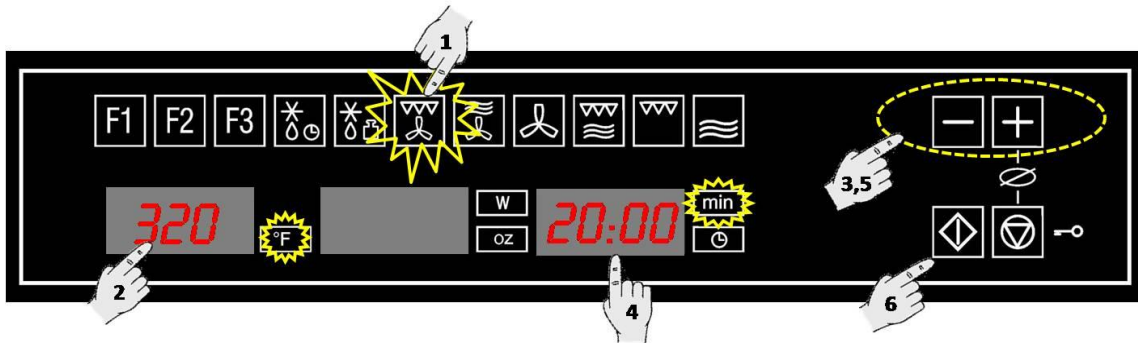


1. Press the function key **Microwave + Hot air**. The function key lights up.
2. Press the **Power Selection** key to change the microwave power. The respective light will flash. If you do not press this key, the oven operates at 400 W power.
3. To change the microwave power press key “-” and “+”.
4. Press the Temperature **Selection** key to change the temperature. The respective light will start to flash. If you do not press this key, the oven operates at 320 °F.
5. Press key “-” and “+”, to change the temperature.
6. Press the **Time Selection** key to change the operating time. The respective light will start to flash.
7. Press key “-” and “+”, to change the function time (e.g. 12 minutes).
8. Press the **Start** key. The oven will start to operate,
9. In combined mode, the microwave oven power is limited to 600 W

## Basic Functions

### Grill with Fan

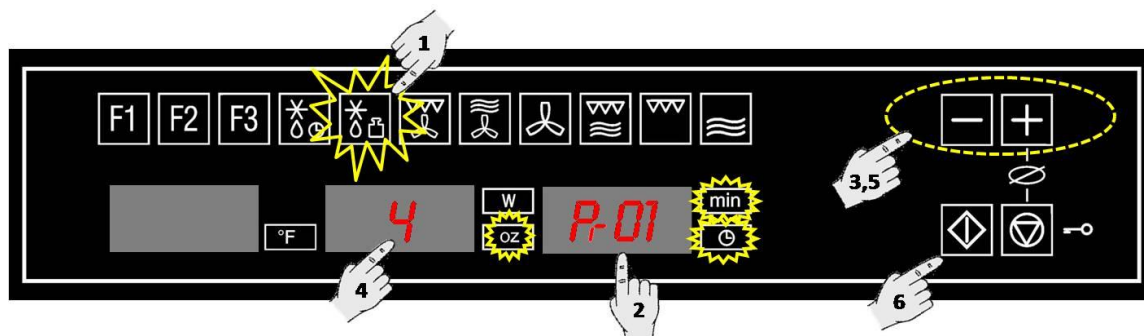
Use this function for crispy roast meat, fish, poultry or French fries



1. Press the function key Grill with Fan. The function key lights up.
2. Press the temperature key to change the temperature. The respective light will flash. If you do not press this key, the oven operates 320 °F.
3. To change the temperature press key “-” and “+”.
4. Press the **Time Selection** key to change the operating time. The respective light will start to flash
5. Press key “-” and “+”, to change the function time (e.g. 12 minutes).
6. Press the Start key. The oven will start to operate.

## Defrosting by weight (automatic)

Use this function to defrost meat, poultry, fish, fruit and bread quickly.



1. Press the function key **Defrosting by weight**. The function key lights up.
2. Press the **Food Type** selection key to change the food type. The respective lights will flash.
3. Press key “-” and “+”, to change the programme, e.g. “Pr 01” (see following table).
4. Press the **Weight Selection** key to define the food weight. The respective light will flash.
5. Press key “-” and “+”, to change the weight.
6. Press the **Start** key. The oven will start to operate.
7. Turn the food whenever the oven lets out a beep, and the display flashes the word **turn**. Press the Start key to resume.

The following table shows the defrosting by weight function programmes, indicating weight intervals, and defrosting and standing times (in order to ensure the food is of a uniform temperature).

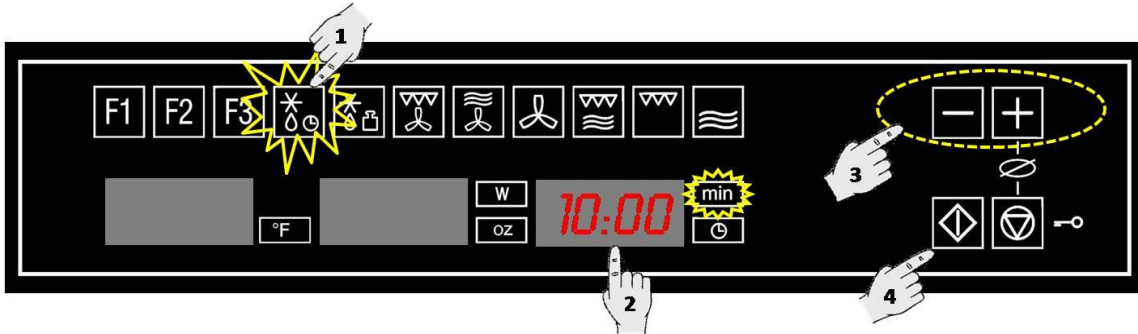
Programme	Food	Weight (OZ)	Time (min)	Standing time (min)
Pr 01	Meat	4 – 72	2 - 44	20 – 30
Pr 02	Poultry	4 – 92	2 – 60	20 – 30
Pr 03	Fish	4 – 72	2 – 40	20 – 30
Pr 04	Fruit	4 – 20	2 – 14	10 – 20
Pr 05	Bread	4 – 28	2 – 19	10 – 20

**Important Note:** see “General instructions for defrosting”.

## Basic Functions

### Defrosting by time (manual)

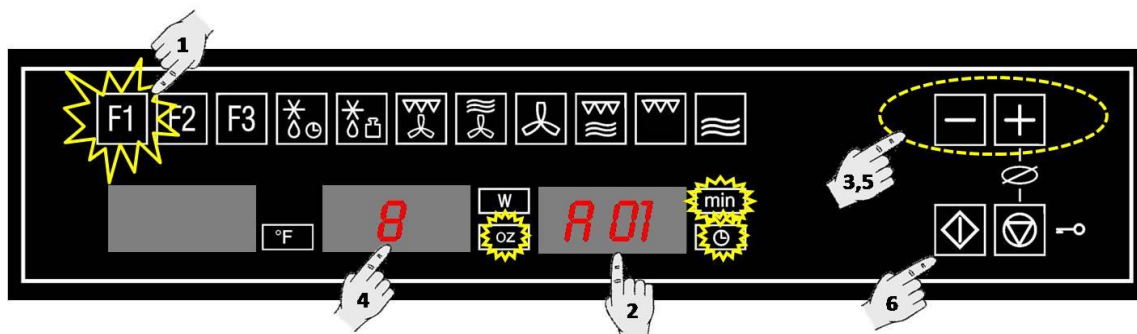
Use this function to defrost any type of food quickly.



1. Press the function key **Defrosting by time**. The function key lights up.
2. Press the **Time Selection** key to change the function time. The respective light will flash.
3. Press key “-” and “+”, to change the function time (e.g. 10 minutes).
4. Press the **Start** key. The oven will start to operate.

## Special Function F1: Heating food

Use this function to heat various types of food.



1. Press the function key **Special function** 1. The function key lights up.
2. Press the **Food Type** selection key to change the food type. The respective lights will flash.
3. Press key “-” and “+”, to change the programme, e.g. “A 01” (see following table).
4. Press the **Weight Selection** key to define the food weight. The respective light will flash.
5. Press key “-” and “+”, to change the weight.
6. Press the **Start** key. The oven will start to operate.

The following table shows the Special Function F1 programmes, indicating weight intervals, and defrosting and standing times (in order to ensure the food is of a uniform temperature).

Program	Food	Weight (OZ)	Time (min)	Standing time (min)
A 01	Soup	8 – 52	3 – 15	Turn 1-2 x, keep covered, 1-2 min.
A 02	Pre-prepared dishes dense food	8 – 52	3 – 20	Turn 1-2 x, keep covered, 1-2 min.
A 03	Pre-prepared dishes e.g. goulash	8 – 52	3 – 15	Turn 1-2 x, keep covered, 1-2 min.
A 04	Vegetables	8 – 52	3 – 14	Turn 1-2 x, keep covered, 1-2 min.

### Important Notes:

- Always use dishes for use in the microwave oven and a lid or cover to avoid loss of liquids.
- Stir or mix the foods several times during heating, especially when the oven emits a beep and the display is flashing as follows: **Turn**.
- The time required to heat the food will depend on its initial temperature. Food taken straight from the fridge will take longer to heat up than food that is at room temperature.

If the food temperature is not what is wanted, select a greater or lesser weight next time you heat up the food.

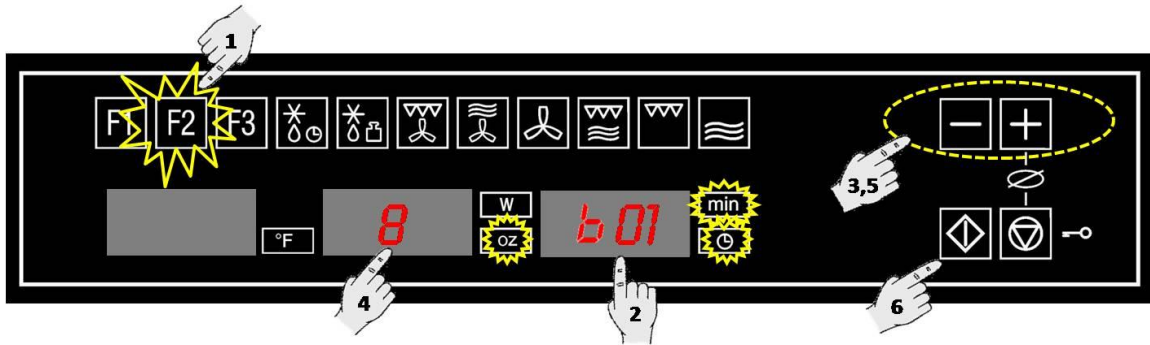
- After heating, stir the food or shake the container and then leave the food to stand for some time to allow the temperature to become uniform throughout the food.

**Warning!** After heating the container may be very hot. Although microwaves do not heat up most containers, these may heat up through heat transmission from food.

## Special functions

### Special Function F2: Cooking

Use this function to cook fresh food.



1. Press the function key **Special function**
2. The function key lights up.
3. Press key “-” and “+”, to change the programme, e.g. “b 01” (see following table).
4. Press the **Weight Selection** key to define the food weight. The respective light will flash.
5. Press key “-” and “+”, to change the weight.
6. Press the **Start** key. The oven will start to operate.

The following table shows the Special Function F2 programmes, indicating weight intervals, and defrosting and standing times (in order to ensure the food is of a uniform temperature).

Program	Food	Weight (OZ)	Time (min)	Note
b 01	Potatoes	8 – 36	4 – 17	Turn 1-2 x, keep covered
b 02	Vegetables	8 – 36	4 – 15	Turn 1-2 x, keep covered
b 03	Rice	8 – 20	13 – 21	One part rice, two parts water, keep covered
b 04	Fish	8 – 36	4 – 13	Keep covered

#### Important Notes:

- Always use dishes for use in the microwave oven and a lid or cover to avoid loss of liquids.
- Stir or mix the foods several times during heating, especially when the oven emits a beep and the display is flashing as follows `turn`.

**Warning!** After heating, the container may be very hot. Although microwaves do not heat up most containers, these may heat up through heat transmission from food.

#### Preparation instructions:

- Fish pieces – Add 1 to 3 soup spoons of water or lemon juice.
- Rice – Add water equivalent to twice or three times the quantity of rice.
- Unpeeled potatoes – Use potatoes of the same size. Wash them and prick the skin several times. Do not add water.
- Peeled potatoes and Fresh vegetables– Cut into pieces of the same size. Add a soup spoon of water for every 100 g of vegetables, and salt to taste.

## Special Function F3: Defrosting & Toasting

Use this function to cook and toast various types of food.



1. Press the function key **Special function 3**. The function key lights up.
2. Press the **Food Type** selection key to change the food type. The respective lights will flash.
3. Press key “-” and “+”, to change the programme, e.g. “C 01” (see following table).
4. Press the **Weight Selection** key to define the food weight. The respective light will flash.
5. Press key “-” and “+”, to change the weight.
6. Press the **Start** key. The oven will start to operate.

The following table shows the Special Function P3 programmes, indicating weight intervals, and defrosting and standing times (in order to ensure the food is of a uniform temperature).

Program	Food	Weight (kg)	Time (min)	Note
C 01	Pizza	12 – 20	8 – 12	Rack
C 02	Deep frozen food	16 – 36	8 – 14	Turn 1 x, keep covered
C 03	Potato dishes, frozen	8 – 16	10 – 12	Glass plate

### Important Notes:

- Always use dishes that are suitable for microwaving and heat resistant (eg baking dishes). The oven produces very high temperatures. For programme C 02 always use a lid, to prevent loss of liquids.
- Stir or mix the foods several times during heating, especially when the oven emits a beep and the display is flashing as follows `turn`.

**Warning!** After heating, the container may be very hot. Although microwaves do not heat most containers, they can get very hot due to heat transfer

### Preparation instructions:

- Frozen pizza – Use pre-cooked frozen pizzas and pizzas-rolls.
- Deep-frozen food – Use lasagne, cannelloni, prawn soufflé, all frozen. Keep covered.
- Potato dishes, frozen – Chips, potato croquettes and fried potatoes must be suitable for preparation in the oven.



## When the oven is working...

### Interrupting a cooking cycle

You can stop the cooking process at any time by pressing the **Stop** key once or by opening the oven door.

In both cases:

- **Microwave emission is stopped immediately.**
- The grill is de-activated but is **still very hot. Danger of burning!**
- The timer stops and the **display** shows the remaining amount of operating time.

If you wish, at this time you can:

1. Turn or stir the food to ensure it will be evenly cooked.
2. Change the process parameters.
3. Cancel the process by pressing the **Stop** key.

To restart the process, close the door and press the **Start** key

### Altering parameters

The operating parameters (time, weight, power, etc.) can be altered when the oven is operating or when the cooking process has been interrupted by proceeding as follows:

1. To alter the time, press key “-” and “+”. The new time defined is immediately valid.
2. To alter the power, press the Power Selection key. The display and respective light start to flash. Alter the parameter by pressing the “-” and “+” keys and confirm by pressing the Power Selection key again.

### Cancelling a cooking cycle

If you wish to cancel the cooking process, press the **Stop** key for 3 seconds.

You will then hear a beep and the time will appear on the **display**.

### End of a cooking cycle

At the end of the process you will hear three beeps and the display will show the word “**End**”.

The beeps are repeated every 30 seconds until the door is opened or the **Stop** key is pressed.

## USA Defrosting

The table below shows different defrosting and standing times (in order to ensure the food temperature is evenly distributed) for

different types and weights of food, plus recommendations.

Food	Weight (oz)	Defrosting time (min)	Standing time (min)	Recommendation
Portions of meat, veal, beef, pork	3-4	2-3	5-10	Turn once
	7	4-5	5-10	Turn once
	17-18	10-12	10-15	Turn twice
	35-36	21-23	20-30	Turn twice
	51-53	32-34	20-30	Turn twice
Goulash	70-71	43-45	25-35	Turn three times
	17-18	8-10	10-15	Turn twice
Minced meat	35-36	17-19	20-30	Turn three times
	3-4	2-4	10-15	Turn once
Sausages	17-18	10-14	20-30	Turn twice
	7	4-6	10-15	Turn once
Poultry (portions)	17-18	9-12	15-20	Turn twice
Chicken	8-9	5-6	5-10	Turn once
Poularde	35-36	20-24	20-30	Turn twice
Fish fillet	90	38-42	25-35	Turn three times
Trout	7	4-5	5-10	Turn once
Prawns	8-9	5-6	5-10	Turn once
	3-4	2-3	5-10	Turn once
Fruit	17-18	8-11	10-20	Turn twice
	7	4-5	5-10	Turn once
	10-11	8-9	5-10	Turn once
Bread	17-18	11-14	10-20	Turn twice
	17-18	4-5	5-10	Turn once
	17-18	10-12	10-15	Turn once
Butter	28-29	15-17	10-20	Turn twice
Cream cheese	8-9	8-10	10-15	
Creams	8-9	6-8	10-15	
	8-9	7-8	10-15	

## Defrosting

### General instructions for defrosting

1. When defrosting, use only dishes that are appropriate for microwaves (china, glass, suitable plastic).
2. The defrost function by weight and the tables refer to the defrosting of raw food.
3. The defrosting time depends on the quantity and thickness of the food. When freezing food keep the defrosting process in mind. Distribute the food evenly in the container.
4. Distribute the food as best as possible inside the oven. The thickest parts of fish or chicken drumsticks should be turned towards the outside. You can protect the most delicate parts of food with pieces of aluminium foil. **Important:** The aluminium foil must not come into contact with the oven cavity interior as this can cause electrical arcing.
5. Thick portions of food should be turned several times.
6. Distribute the frozen food as evenly as possible since narrow and thin portions defrost more quickly than the thicker and broader parts.
7. Fat-rich foods such as butter, cream cheese and cream should not be completely defrosted. If they are kept at room temperature they will be ready to be served in a few minutes. With ultra-frozen cream, if you find small pieces of ice in it, you should mix these in before serving.
8. Place poultry on an upturned plate so that the meat juices can run off more easily.
9. Bread should be wrapped in a napkin so that it does not become too dry.
10. Turn the food at regular intervals.
11. Remove frozen food from its wrapping and do not forget to take off any metal twist-tags. For containers that are used to keep frozen food in the freezer and which can also be used for heating and cooking, all you need to do is take off the lid. For all other cases you should put the food into containers that are suitable for microwave use.
12. The liquid resulting from defrosting, principally that from poultry, should be discarded. In no event should such liquids be allowed to come into contact with other foods.
13. Do not forget that by using the defrosting function you need to allow for standing time until the food is completely defrosted.

**Warning! Read the section “Microwave Safety” before cooking with your microwave.**

Follow these recommendations when cooking with your microwave:

- Before heating or cooking foods with peel or **skin** (e.g. apples, tomatoes, potatoes, sausages) **prick them** so that they do not burst. Cut the food up before starting to prepare it.
- Before using a container or dish make sure that it is suitable for microwave use (see the section on types of ovenware).
- When cooking food with very little moisture (e.g. **defrosting bread**, making popcorn, etc.) evaporation is very quick. The oven then works as if it was empty and the food may burn. The oven and the container may be damaged in such a situation. You should therefore set just the cooking time necessary and you must keep a close eye on the cooking process.
- It is not possible to heat large quantities of oil (**frying**) in the microwave.
- Remove **pre-cooked food** from the containers they come in since these are not always heat resistant. Follow the food manufacturer’s instructions.
- **If you have several containers**, such as cups, for example, set them out uniformly on the turntable plate.

- Do not close **plastic bags** with metal clips. Use plastic clips instead. Prick the bags several times so that the steam can escape easily.
- When heating or cooking foods, check that they reach **at least a temperature of 158°F**.
- During cooking, **steam** may form on the oven door window and may start to drip. This situation is normal and may be more noticeable if the room temperature is low. The oven’s safe working is not affected by this. After you have finished cooking, clean up the water coming from the condensation
- When heating liquids, use **containers with a wide opening**, so that the steam can evaporate easily.

Prepare the foods as per the instructions and keep in mind the cooking times and power levels indicated in the tables.

Keep in mind that the figures given are only indicative and can vary depending on the initial state, temperature, moisture and type of food. It is advisable to adjust the times and power levels to each situation. Depending on the exact characteristics of the food you may need to increase or shorten the cooking times or increase or decrease the power levels.

## Cooking with a microwave oven

### Cooking with microwaves...

1. The greater the amount of food, the longer the cooking time. Keep in mind that:

- Double the quantity » double the time
- Half the quantity » half the time

2. The lower the temperature, the longer the cooking time.

3. Foods containing a lot of liquid heat up more quickly.

4. Cooking will be more uniform if the food is evenly distributed on the turntable. If you put dense foods on the outside part of the plate and less dense ones on the centre of the

plate, you can heat up different types of food simultaneously.

5. You can open the oven door at any time. When you do this the oven switches off automatically. The microwave will only start working again when you close the door and press the start key.

6. Foods that are covered require less cooking time and retain their characteristics better. The lids used must let microwaves pass through and have small holes that allow steam to escape.

## Tables and suggestions – Cooking vegetables

Food	Quantity (oz)	Addition of liquids	Power (Watt)	Time (min.)	Standing Time (min.)	Instructions
Cauliflower	17-18	100ml	800	9-11	2-3	Cut into slices.
Broccoli	10-11	50ml	800	6-8	2-3	Keep covered
Mushrooms	8-9	25ml	800	6-8	2-3	Turn once
Peas & carrots	10-11	100ml	800	7-9	2-3	Cut into chunks or slices. Keep covered
Frozen carrots	8-9	25ml	800	8-10	2-3	Turn once
Potatoes	8-9	25ml	800	5-7	2-3	Peel and cut into equal sized pieces. Keep covered Turn once
Paprika	8-9	25ml	800	5-7	2-3	Cut into chunks or slices Keep covered
Leek	8-9	50ml	800	5-7	2-3	Turn once
Frozen Brussel sprouts	10-11	50ml	800	6-8	2-3	Keep covered Turn once
Sauerkraut	8-9	25ml	800	8-10	2-3	Keep covered Turn once

## Tables and suggestions – Cooking fish

Food	Quantity (oz)	Power (Watt)	Time (min.)	Standing Time (min.)	Instructions
Fish fillets	17-18	600	10-12	3	Cook covered over. Turn after half of cooking time.
Whole fish	28-29	800 400	2-3 7-9	2-3	Cook covered over. Turn after half of cooking time. You may wish to cover up the small edges of the fish.

## Cooking with the grill

For good results with the grill, use the grid iron supplied with the oven.

**Fit the grid iron in such a way that it doesn't come into contact with the metal surfaces of the oven cavity since if it does there is a danger of electric arcing which may damage the oven.**

### IMPORTANT POINTS:

1. When the microwave grill is used for the first time there will be some smoke and a smell coming from the oils used during oven manufacture.
2. The oven door window becomes very hot when the grill is working. **Keep children away.**
3. When the grill is operating, the cavity walls and the grid iron become very hot. You should use oven gloves.
4. If the grill is used for extended period of time it is normal to find that the elements will switch themselves off temporarily due to the safety thermostat.
5. **Important!** When food is to be grilled or cooked in containers you must check that the container in question is suitable for microwave use. See the section on types of ovenware!
6. When the grill is used it is possible that some splashes of fat may go onto the elements and be burnt. This is a normal situation and does not mean there is any kind of operating fault.
7. After you have finished cooking, clean the interior and the accessories so that cooking remains do not become encrusted.

## Tables and suggestions – Grill without microwave

Fish	Quantity (oz)	Time (min.)	Instructions
<b>Fish</b>			
Bass	28-29	18-24	Spread lightly with butter. After half of cooking time turn and spread with seasoning.
Sardines/gurnard	6-8 fish.	15-20	
<b>Meat</b>			
Sausages	6-8 units	22-26	Prick after half cooking time and turn.
Frozen hamburgers	3 units	18-20	Prick after half cooking time.
Spare rib (approx. 3 cm thick)	14-15	25-30	Brush with oil. After half of cooking time, baste and turn.
<b>Others</b>			
Toast	4 units	1½-3	Watch toasting. Turn
Toasted sandwiches	2 units	5-10	Watch toasting.

Heat up the grill beforehand for 2 minutes. Unless indicated otherwise, use the grid iron. Place the grid on a bowl so that the water and the fat can drop. The times shown are merely indicative and can vary as a function of the composition and quantity of the food, as well as the final condition wished for. Fish and meat taste great if, before grilling, you brush them with vegetable oil, spices and herbs and leave to marinate for a few hours. Only add salt after grilling.

Sausages will not burst if you prick them with a fork before grilling.

After half the grilling time has passed, check on how the cooking is going and, if necessary, turn the food over or brush it with some oil.

The grill is especially suitable for cooking thin portions of meat and fish. Thin portions of meat only need to be turned once, but thicker portions should be turned several times. In the case of fish, you should join the two ends, putting the tail in its mouth, and then put the fish on the grid iron.



## Cooking with the Grill

### Tables and suggestions – Microwave + Grill

The microwave + grill function is ideal for cooking quickly and, at the same time, browning foods. Furthermore, you can also grill and cook cheese covered food.

The microwave and the grill work simultaneously. The microwave cooks and the grill toasts.

Food	Quantity (oz)	Dish	Power (Watt)	Time (min.)	Standing time (min.)
Cheese topped pasta	17	Low dish	400	12-17	3-5
Cheese topped potatoes	28	Low dish	600	20-22	3-5
Lasagne	approx. 28	Low dish	600	15-20	3-5
Grilled cream cheese	approx. 17	Low dish	400	18-20	3-5
2 fresh chicken legs (grilled)	7 each	Low dish	400	10-15	3-5
Chicken	approx. 35	Low and wide dish	400	35-40	3-5
Cheese topped onion soup	2 x 7 oz cups	Soup bowls	400	2-4	3-5

Before using a dish in the microwave oven make sure that it is suitable for microwave use. Only use dishes or containers that are suitable for microwave use.

The dish to be used in the combined function must be suitable for microwave and grill use. See the section on types of ovenware!

Keep in mind that the figures given are merely indicative and can vary as a function of the initial state, temperature, moisture and type of food.

If the time is not enough to brown the food well, put it under the grill for another 5 or 10 minutes.

Please follow the standing times and don't forget to turn the meat pieces.

Unless indicated to the contrary, use the turntable plate for cooking.

The values given in the tables are valid when the oven cavity is cold (it is not necessary to pre-heat the oven).

## Table and advices – Preparing meat and cake

## Microwave / Hot air

Food	Quantity (oz)	Power (W)	Temperature	Time (Min.)	Standing time (min.)	Instructions
Roast beef	35-53	400	392°F	30-40	20	Do not put lid on container Turn once
Pork loin / Cutlet or bones Pork roast	28-36	200	356°F-374°F	50-60	20	Do not put lid on container Turn once
Whole chicken	35-43	400	392°F	30-40	10	Do not put lid on container. Turn the chicken chest down. Turn once.
Half chicken	17-35	400	392°F	25-35	10	Do not put lid on container. Turn the the pieces with skin down. Turn once.
Roast loin of veal	53-71	200	356°F	60-65	20	Do not put lid on container. Turn once or twice. After turning keep it without lid
Beef topside	53-64	200	392°F	80-90	20	Do not put lid on container. Turn once or twice

## Microwave / Baking

Pastry	Power (W)	Temperature	Time (Min.)	Standing time (min.)	Instructions
Chocolate– cherry pie	200	392°F	30	5-10	Turntable, small grill, Springform, Ø 28 cm
Cheesecake with fruit	400	356°F	40-45	5-10	Turntable, small grill, Springform, Ø 28 cm
Apple pie	200	365°F	40-45	5-10	Turntable, small grill, Springform, Ø 28 cm
Cheese cake with streusel	400	356°F	40-50	5-10	Turntable, small grill, Springform, Ø 26 cm
Nuts cake	200	338°F	30-35	5-10	Turntable, Cake tin

## Roasting and baking

### Advice to roast - bake

Turn the pieces of meat halfway through the cooking time. When the roasted meat is ready you should let it stand for 20 minutes in the oven with this switched off and closed. This will ensure the juices in the meat are well distributed.

The roasting temperature and time required depends on the type and amount of meat being cooked.

If the weight of the meat to be roasted does not appear on the table choose the settings for the weight immediately below and extend the cooking times.

### Advice on ovenware

Check that the ovenware fits inside the oven. Hot glass containers should be put on a dry kitchen cloth. If such containers are put on a cold or wet surface the glass may crack and break. Use oven gloves to take the ovenware out of the oven.

### Important

With the operation mode Hot Air / Microwave, please use please always the small round grille. Put the grille on the turntable. Put always the spring forms, the cake forms and bowls on the round grille.

Exception: put the spring-form type tin directly on the turntable.

**Table and advices – baking/hot air**

Type	Container	Level	Temperature	Time (min.)
Walnut cake	Spring-form type tin	Turntable	320 °F	30/35
Fruit tart	Spring-form type tin Ø 28 cm	Turntable, small round grille	320 °F	35/45
Ring cake	Spring-form type tin	Turntable	320°F	30/45
Piquant cakes e.g. Pizza made with potatoes	Runde Glasform	Turntable, small round grille	374°F–392°F	50/70
Sponge cake	Spring-form type tin Ø 26 cm	Turntable, small round grille	320°F	40/45
Jelly roll	Glass griddle	1	392°F	35/45
Cherry pie	Glass griddle	1	356°F-374°F	35/45

**Advice on cake baking ware**

The most commonly used type of baking ware is black metal tins. If you are also going to use the microwave, use glass, ceramic or plastic baking ware. These must be able to withstand temperatures up to 482°F. If you use these types of baking ware the cakes are not browned as much.

**Advice on how to bake cakes**

Different amounts and types of pastry require different temperatures and baking times. Try low settings first of all and then, if necessary, use higher temperatures next time. A lower temperature will result in more uniform baking. Always put the cake tray in the centre of the turntable.

**Baking suggestions**

**How to check if the cake is properly cooked**

Start sticking a tooth pick in the highest part of the cake 10 minutes before the end of the baking time. When no dough sticks to the tooth pick the cake is ready.

**Der Kuchen wird sehr dunkel:**

Wählen Sie beim nächsten Mal eine niedrigere Temperatur und lassen Sie den Kuchen länger backen.

**If the cake is very dry**

Make small holes in the cake with a tooth pick after baking has finished. Then sprinkle the cake with some fruit juice or alcoholic drink. Next time increase the temperature by about 212°F and reduce the baking time.

**If the cake does not come free when turned**

Let the cake cool down for 5 to 10 minutes after baking and it will come out of the tin more easily. If the cake still does not come free run a knife carefully around the edges. Next time grease the cake tin well.

**Advice on saving energy**

When you are making more than one cake, it is advisable to bake them in the oven one after the other when the oven is still hot. This lets you reduce the baking time for the second and later cakes.

It is preferable to use dark coloured baking ware - painted or enamelled black – since such baking tins absorb heat better.

When dealing with long baking times, you can switch the oven off 10 minutes before the end of the time and make use of the residual heat to complete the baking.

## What kind of ovenware can be used?

### Microwave function

For the microwave function, keep in mind that microwaves are reflected by metal surfaces. Glass, china, clay, plastic, and paper let microwaves pass.

For this reason, **metal pans and dishes or containers with metal parts or decorations cannot be used in the microwave.** Glass ware and clay with **metallic decoration or content** (e.g. lead crystal) cannot be used in microwave ovens.

The **ideal** materials for use in microwave ovens are glass, refractory china or clay, or heat resistant plastic. Very thin, fragile glass or china should only be used for short period of times (e.g. heating).

Hot food transmits heat to the dishes which can become very hot. You should, therefore, always use an **oven glove!**

### How to test ovenware you want to use

Put the item you want to use in the oven for 20 seconds at maximum microwave power. After that time, if it is cold and just slightly warm, it is suitable to use. However, if it heats up a lot or causes electric arcing it is not suitable for microwave use.

### Grill and Hot air function

In the case of the grill function, the ovenware must be resistant to temperature of at least 572°F.

Plastic dishes are not suitable for use in the grill.

### Lids

We recommend you use glass or plastic lids or cling film since:

1. This will stop excessive evaporation (mainly during very long cooking times);
2. The cooking times are shorter;
3. The food does not become dry;

### Combined functions

In the combined function, the ovenware must be suitable for use in conventional heating functions.

### Aluminium containers and foil

Pre-cooked food in aluminium containers or in aluminium foil can be put in the microwave if the following aspects are respected:

Keep in mind the manufacturer's recommendations written on the packaging.

- The aluminium containers cannot be more than 3 cm high or come in contact with the cavity walls (**minimum distance 3 cm**). Any aluminium lid or top must be removed.
  - Put the aluminium container directly on top of the turntable plate. If you use the grid iron, put the container on a china plate. Never put the container directly on the grid iron!
  - The cooking time is longer because the microwaves only enter the food from the top. If you have any doubts, it is best to use only dishes suitable for microwave use.
  - Aluminium foil can be used to reflect microwaves during the defrosting process. Delicate food, such as poultry or minced meat, can be protected from excessive heat by covering the respective extremities/edges.
  - **Important:** aluminium foil cannot come into contact with the cavity walls since this may cause electrical arcing.
4. The aroma is preserved.

The lid should have holes or openings so that no pressure develops. Plastic bags must also be opened. Baby feeding bottles or jars with baby food and similar containers can only be heated without their tops / lids otherwise they can burst.

## What kind of ovenware can be used?

### Table of Ovenware

The table below gives you a general idea of what type of ovenware is suitable for each situation.

Type of ovenware	Operating mode	Microwave		Grill and Hot – Air function	Combined functions (with microwaves)
		Defrosting / heating	Cooking		
<b>Glass and china 1)</b> Home use, not flame resistant, can be used in dish washer		yes	yes	no	no
<b>Glazed china</b> Flame resistant glass and china		yes	yes	yes	yes
<b>China, stone ware 2)</b> Unglazed or glazed without metallic decorations		yes	yes	no	no
<b>Clay dishes 2)</b> Glazed Unglazed		yes no	yes no	no no	no no
<b>Plastic dishes 2)</b> Heat resistant to 212°F Heat resistant to 482°F		yes yes	no yes	no no	no no
<b>Plastic films 3)</b> Plastic film for food Cellophane		no yes	no yes	no no	no no
<b>Paper, cardboard, parchment 4)</b>		yes	no	no	no
<b>Metal</b> Aluminium foil Aluminium wrappings 5) Accessories (Rectangular rack)		yes no yes	no yes yes	yes yes yes	no yes no

- Without any gold or silver leaf edging; no lead crystal.
- Keep the manufacturer's instructions in mind!
- Do not use metal clips for closing bags. Make holes in the bags. Use the films only to cover the food.

- Do not use paper plates.
- Only shallow aluminium containers without lids/tops. The aluminium cannot come into contact with the cavity walls.

## Oven Cleaning and Maintenance

Cleaning is the only maintenance normally required.

**Warning!** Your microwave oven should be cleaned regularly, with all food remains being removed. If the microwave is not kept clean its surfaces may deteriorate, **reducing the oven's working life and possibly resulting in a dangerous situation.**

**Warning!** Cleaning should be done with the oven power switched off. Take the plug out of the socket or switch off the oven's power circuit.

**Do not use aggressive or abrasive cleaning products, scourers that scratch surfaces or sharp objects, since stains may appear.**

**Do not use high pressure or stream jet cleaning appliances.**

### Front surface

Normally you just need to clean the oven with a damp cloth. If it is very dirty, add a few drops of dishwashing liquid to the cleaning water. Afterwards, wipe the oven with a dry cloth.

**In an oven with an aluminium front,** use a glass cleaning product and a soft cloth that does not release any fibres or threads. Wipe from side to side without exerting any pressure on the surface.

Immediately remove lime, fat, starch or egg white stains. Corrosion can occur under these stains.

Do not let any water get inside the oven.

### Oven interior

After each time the oven is used, clean the inside walls with a damp cloth since this is the easiest way to remove splashes or spots of food that may have stuck to the inside.

To remove dirt that is harder to shift, use a non-aggressive cleaning product. **Do not use oven sprays or other aggressive or abrasive cleaning products.**

**Always keep the door and the oven front very clean to ensure that the door opens and closes properly.**

Make sure water does not enter the microwave ventilation holes.

Regularly take out the turntable plate and the respective support and clean the cavity base, especially after any liquid spillage.

**Do not switch on the oven without the turntable and the respective support being in place.**

If the oven cavity is very dirty, put a glass of water on the turntable and switch on the microwave oven for 2 or 3 minutes at maximum power. The steam released will soften the dirt which can then be cleaned easily using a soft cloth.

Unpleasant odours (e.g. after cooking fish) can be eliminated easily. Put a few drops of lemon juice in a cup with water. Put a spoonful of coffee in the cup to avoid the water boiling over. Heat the water for 2 to 3 minutes at maximum microwave power.

### Oven ceiling

If the oven ceiling is dirty, the grill can be lowered to make cleaning easier.

**To avoid the danger of burning, wait until the grill is cold before lowering it.** Proceed as follows:

1. Turn the grill support by **180° (1)**.
2. Lower the grill gently **(2)**. **Do not use excessive force as this may cause damage.**
3. After cleaning the ceiling, put the grill **(2)** back in its place, carrying out the previous operation.

**IMPORTANT WARNING:** The grill heating element support **(1)** may fall when it is rotated. If this happens, insert the grill heating element support **(1)** into the slot in the ceiling of the cavity and rotate it 90° to the grill heating element support **(2)** position.

**The mica cover (3) located in the ceiling must always be kept clean.** Any food remains that collect on the mica cover can cause damage or provoke sparks.

**Do not use abrasive cleaning products or sharp objects.**

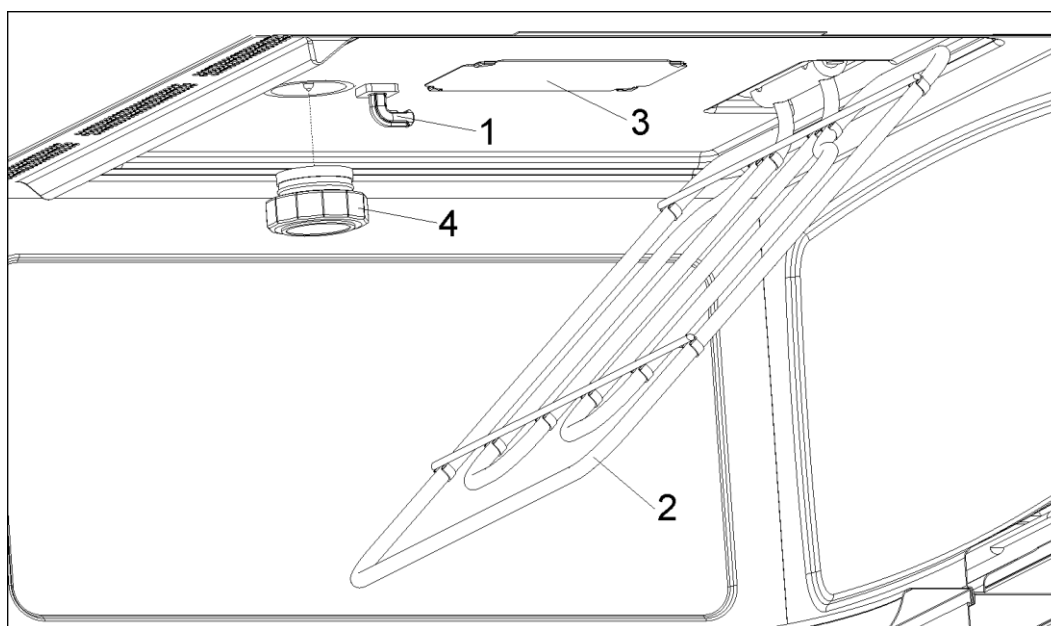
**To avoid any risk, do not remove the mica cover.**

The glass lamp cover **(4)** is located on the oven ceiling and can be removed easily for cleaning. For this you just need to unscrew it and clean it with water and dishwashing liquid.

### Accessories

Clean the accessories after each use. If they are very dirty, soak them first of all and then use a brush and sponge. The accessories can be washed in a dish washing machine.

Make sure that the turntable plate and the respective support are always clean. Do not switch on the oven unless the turntable and the respective support are in place.





## What should I do if the oven doesn't work?

**WARNING! Any type of repair must only be done by a specialised technician. Any repair done by a person not authorised by the manufacturer is dangerous.**

You do not need to contact Technical Assistance to resolve the following questions:

- **The display is not showing!** Check if:
  - The time indication has been switched off (see section on Basic Settings).
- **Nothing happens when I press the keys!** Check if:
  - The Safety Block is active (see section on Basic Settings).
- **The oven does not work!** Check if:
  - The plug is correctly fitted in the socket.
  - The oven's power is switched on.
  - The door is completely closed. The door should close with an audible click.
  - There are any foreign bodies between the door and the cavity front.
- **When the oven is operating I can hear some strange noises!** Check if:
  - There is any electrical arcing inside the oven caused by foreign metallic objects (see section on type of ovenware).
  - The ovenware is touching the oven walls.
  - There are any loose items of cutlery or cooking tools inside the oven.

- **The food doesn't heat up or heats very slowly!** Check if:
    - You have inadvertently used metal ovenware.
    - You have selected the correct operating times and power level.
    - The food you have put inside the oven is a larger amount or colder than you usually put in.
  - **The food is too hot, dried out or burnt!** Check if you selected the correct operating time and power level.
  - **I hear some noises after the cooking process is finished!** This is not a problem. The cooling fan keeps on working for some time. When the temperature has dropped sufficiently, the fan will switch itself off.
- TV/radio interference might be noticed while using the microwave, similar to the interference caused by other small appliances.** This is not a problem with the Microwave. Move the radio or TV as far away from the microwave as possible, or check the position of the TV/radio antenna.
- **The oven switches on but the interior light does not go on!** If all the functions work properly it is probable that the lamp has blown. You can keep on using the oven.

## What should I do if the oven doesn't work?

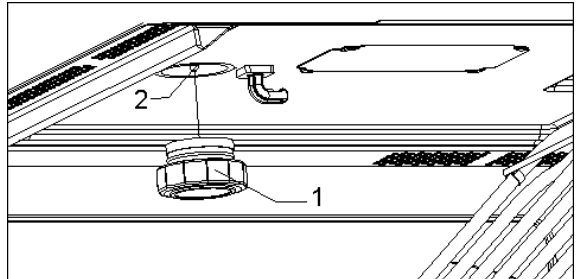
### Substitution of light bulb

To substitute the light bulb, proceed as follows:

- Disconnect the oven from the power supply. Take the plug out of the socket or switch off the oven's power circuit.
- Unscrew and remove the glass light cover (1).
- Remove the halogen light bulb (2).  
**Warning! The bulb may be very hot.**
- Fit a new **G4/12V/10-20W** halogen bulb.  
**Warning! Do not touch the light bulb surface directly with your fingers**







**because you may damage the bulb.** Follow the lamp manufacturer's instructions.

- Screw the glass light cover into place (1).
- Connect the oven again to the power supply.



## Technical characteristics

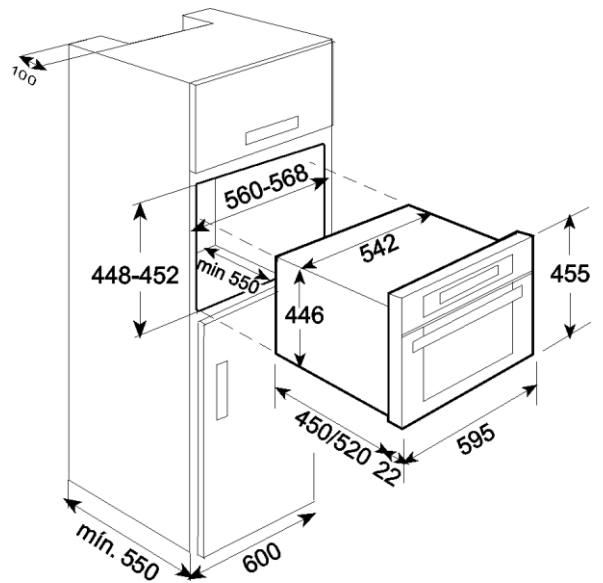
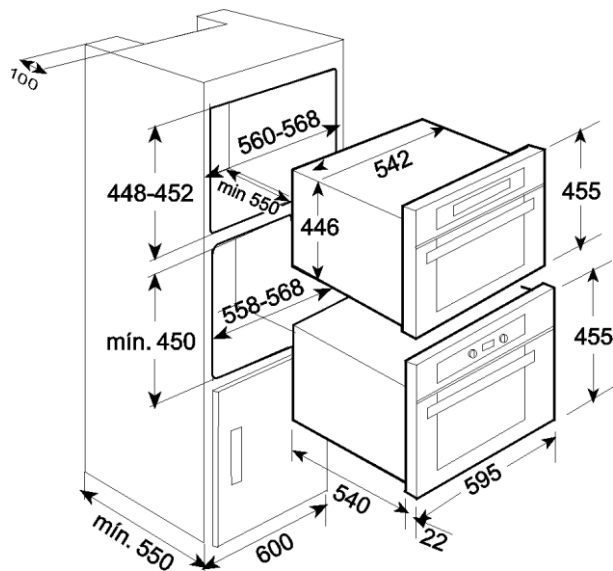
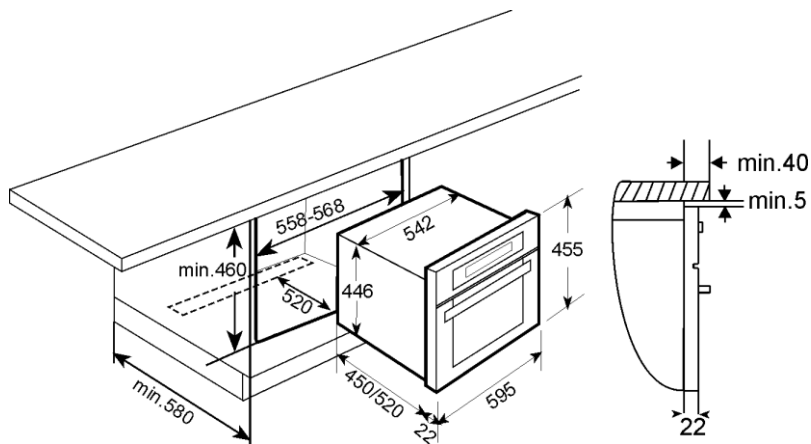
### Description of Functions

Symbol	Function	Microwave Power Output	Foods
	Microwave	200 W	Slow defrosting for delicate foods; keeping food hot.
		400 W	Cooking with little heat; boiling rice. Rapid defrosting, heating baby food.
		600 W	Heating and cooking food.
		800 W	Cooking vegetables and food. Cooking and heating carefully. Heating and cooking small portions of food.
		1000 W	Rapidly heating liquids.
	Microwave + Grill	200 W	Toasting food.
		400 W	Grilling poultry and meat.
		600 W	Cooking pies and cheese-topped dishes.
	Grill		Grilling food.
	Grill + Fan	---	Grilling meat and fish.
			Grilling poultry.
			Potatoes – deep-frozen, defrosting and roasting.
	Hot-Air	---	Roasting and baking.
	Microwaves + Hot-Air	200-600 W	Quick meat, fish and poultry roasting. Baking cakes.

### Specifications

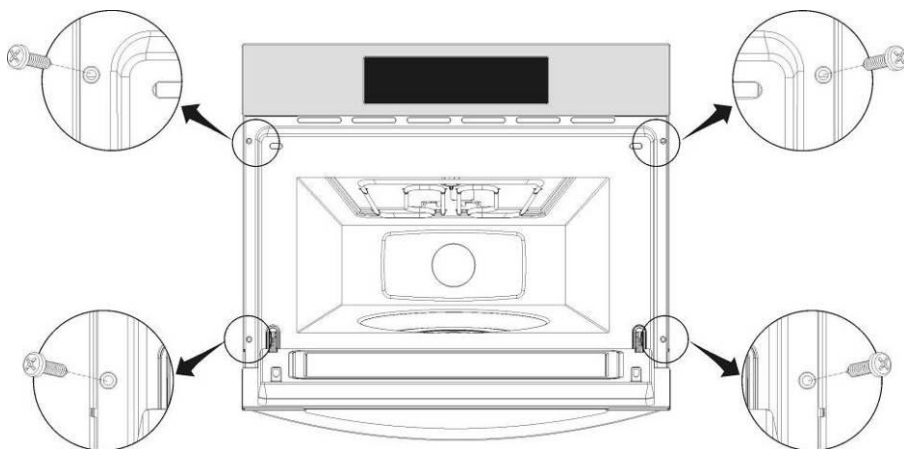
- AC Voltage..... 240, 2ph, 60Hz
- Power required ..... 3850 W
- Grill power..... 1500 W
- Hot air power ..... 1500W
- Microwave output power..... 1000 W
- Microwave frequency... 2450 MHz
- Exterior dimensions (W×H×D). .... 595 × 455 × 542 mm
- Interior dimensions (W×H×D). .... 420 × 210 × 390 mm
- Oven capacity. .... 35 qt
- Weight..... 35 kg-78lbs

# USA Installation



## USA

- Push oven completely into the cabinet and centre it.
- Open microwave door and fasten the appliance to the cabinet using the four screws provided. Insert the screws through the front holes.









Küppersbusch USA  
1883 Massaro Blvd  
Tampa, FL 33619  
Tel 1- 800 – 459 – 0844  
Fax 1 – 813 – 2888604



Cód: 1630051-a



## Free Manuals Download Website

<http://myh66.com>

<http://usermanuals.us>

<http://www.somanuals.com>

<http://www.4manuals.cc>

<http://www.manual-lib.com>

<http://www.404manual.com>

<http://www.luxmanual.com>

<http://aubethermostatmanual.com>

Golf course search by state

<http://golfingnear.com>

Email search by domain

<http://emailbydomain.com>

Auto manuals search

<http://auto.somanuals.com>

TV manuals search

<http://tv.somanuals.com>