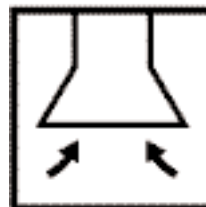


INSTRUCTIONS FOR USE AND INSTALLATION INSTRUCTIONS



IKD 1157.1 GE-UL

Küppersbusch

ALLERFEINSTE KÜCHENTECHNIK

Dear client:

Congratulations on your choice. We are sure that this modern, functional and practical apparatus, made with top quality materials, will fully satisfy your needs.

Please read every section of this INSTRUCTIONS MANUAL before using your kitchen hood for the first time, to be able to get maximum performance from the apparatus and to avoid breakdowns which may be caused by incorrect use, as well as to allow any minor problems to be solved.

Store this manual, as it will provide useful information about your kitchen hood at all times and will also help other people to use it.

Important Safety Instructions

READ AND SAVE THESE INSTRUCTIONS

- Take care when using cleaning agents or detergents.
- Suitable for use in household cooking area.
- **CAUTION:** To reduce risk of fire and to properly exhaust air, be sure to duct air outside. Do not vent exhaust air into spaces within walls or ceiling or into attics, crawl spaces, or garages.
- **CAUTION:** For General Ventilating Use Only. Do Not Use To Exhaust Hazardous Or Explosible Materials And Vapors.
- **WARNING:** TO REDUCE THE RISK OF FIRE, ELECTRIC SHOCK, OR INJURY TO PERSONS, OBSERVE THE FOLLOWING.
 - a. Use this unit only in the manner intended by the manufacturer. If you have questions, contact the manufacturer.
 - b. Before servicing or cleaning the unit, switch the power off at service panel and lock the service disconnecting means to prevent power from being switched on accidentally. When the service disconnecting means cannot be locked, securely fasten a prominent warning device, such as a tag, to the service panel.
- **WARNING:** TO REDUCE THE RISK OF A RANGE TOP GREASE FIRE:
 - a. Never leave surface units unattended at high settings. Boilovers cause smoking and greasy spillovers that may ignite. Heat oils slowly on low or medium settings.
 - b. Always turn hood ON when cooking at high heat or when cooking flaming foods.
 - c. Clean ventilating fans frequently. Grease should not be allowed to accumulate on fan or filter.
 - d. Use proper pan size. Always use cookware appropriate for the size of the surface element.
- **WARNING:** TO REDUCE THE RISK OF INJURY TO PERSONS IN THE EVENT OF A RANGE TOP GREASE FIRE, OBSERVE THE FOLLOWING:
 - a. SMOTHER FLAMES with a close-fitting lid, cookie sheet, or metal tray, then turn off the burner. BE CAREFUL TO PREVENT BURNS. If the flames do not go out immediately, EVACUATE AND CALL THE FIRE DEPARTMENT.
 - b. NEVER PICK UP A FLAMING PAN. You may be burned.
 - c. DO NOT USE WATER, including wet dishcloths or towels, a violent steam explosion will result.
 - d. Use an extinguisher ONLY if:
 1. You know you have a Class ABC extinguisher, and you already know how to operate it.
 2. The fire is small and contained in the area where it started.
 3. The fire department is being called.
 4. You can fight the fire with your back to an open exit.
- Please be aware of current local regulations with reference to domestic electrical fittings and gas education.
- Verify that the tension and frequency of the network match those indicated on the label located inside the kitchen hood.

- Once the kitchen hood has been installed, ensure that the feed cable to the network is not in contact with any live metal edges.
- Avoid connecting the apparatus to conductors used exits for fumes produced by a non-electric energy source. E.g.: boilers, chimneys, etc.
- If the extractor fan is going to be used simultaneously with equipment powered by a non-electric energy source. E.g.: gas cookers, the room must have sufficient ventilation.
- The lower part of the kitchen hood must be fitted at least 60 cm. (23,6 in) over electric hobs and 65 cm. (25.6 in) over gas or mixed hobs.
- Avoid cooking under the kitchen hood if the metal filters are not fitted, e.g.: while they are being cleaned in the dishwasher.
- We recommend the use of gloves and to be extremely careful when cleaning the kitchen hood's interior.
- Your kitchen hood is designed for domestic use and only for extraction and purification of gases produced during food preparation. It will be your responsibility if it is used for other purposes, which may be dangerous. The manufacturer cannot accept responsibility for damage caused by improper use of the apparatus.
- For repairs please contact the nearest **KÜPPERSBUSCH** Technical Assistance Service, and always use genuine spare parts. Repairs or modifications effected by unqualified personnel can cause malfunctions or may damage the apparatus, putting your safety in danger.

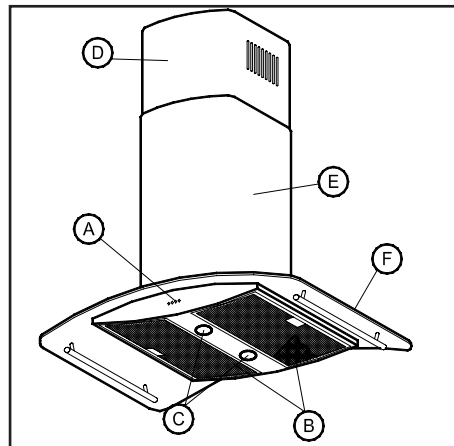
Index

	Page
Description of the apparatus	3
Instructions for use	4
Programming timer	4
Cleaning and maintenance	4
Problem solving	5
Sizes and specifications	5
Accessories supplied	6
Grounding instructions	6
Installation	7
Active charcoal filters	8

ENG

Description of the apparatus

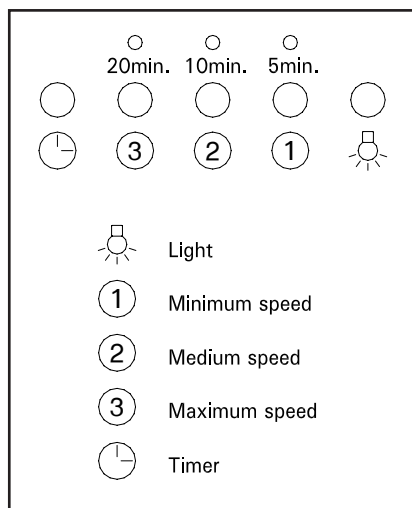
- A** Electronic programmer control box with buttons to control speed, light and power in use indicators.
- B** Metal filters.
- C** Lamp with two lights - 20 W (G-4).
- D, E** Vertically adjustable tubecovers.
- F** Decorative part. (No included).



Instructions for use

You may control the kitchen hood's workings by operating the controls as shown in the diagram.

ENG



To improve draught we recommend to turn the extractor fan on a few minutes before cooking so that the flow of air is continuous and stable when fumes are extracted.

Similarly, keep the extractor fan on for a few minutes after cooking to completely extract fumes and odours.

Programming timer

1.- By pressing for more than 2 seconds any speed, the kitchen hood will stay switched on for 10 minutes at the selected speed. To program a duration other than 10 minutes:

- With the kitchen hood switched off, press "timer".
- Select the required programming time by pressing the chosen button (see drawing).
- Press "timer" again to record the new program.
- Press the chosen speed for more than 2 seconds, the pilot light will start flashing.

Cleaning and maintenance

When cleaning and doing maintenance, make sure the safety instructions set out on page 2 are complied with.

Cleaning the body of the kitchen hood

- If your kitchen hood is made from stainless steel, use this material's specially designed cleaners following the instructions mentioned in the product supplier's instructions.
- Never use metallic scourers, nor abrasive or corrosive products.
- Dry the kitchen hood using a cloth that does not produce fluff.

Cleaning the metal filters

To remove the filters from their fittings, press lightly on the locks and then pull them off.

The metal filters can be cleaned by soaking them in hot water with neutral detergent until the fat dissolves and then rinsing them under the tap or using products specially designed for fats. They can also be washed in a dishwasher. In this case, it is advisable to stack them vertically to avoid food residue sticking to them.

Cleaning in a dishwasher with aggressive detergents or polish may damage the metallic surface (blackening it), although this will not affect its fat retention capacity.

Once clean, leave them to dry off and then fit them onto the kitchen hood.

Changing lights

Proceed as follows:

- Unscrew the decorative element of the halogen lamp.
- Change the broken/burnt out lamp. Maximum lamp power is 20 W (G-4).
- Screw back on the decorative element of the halogen lamp.

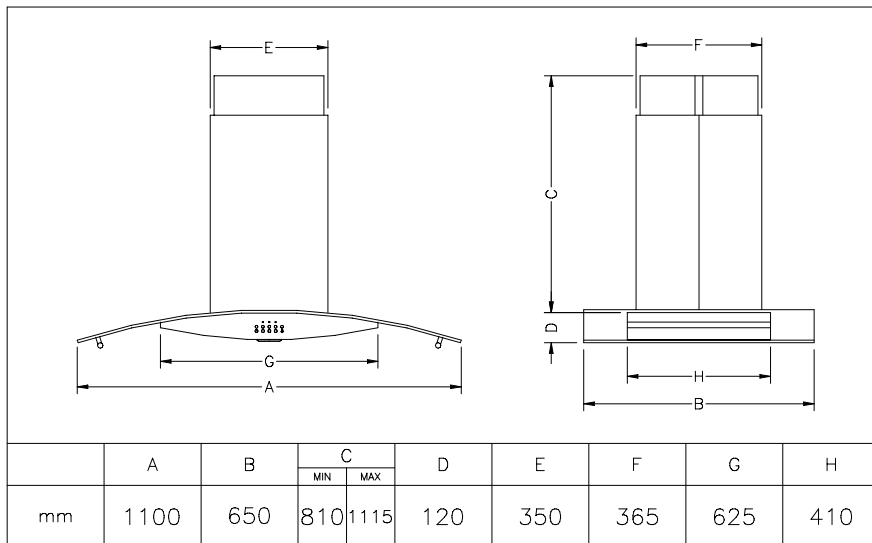
Problem solving

Proceed with the following checks before calling the Technical Service:

Problem	Possible cause	Solution
The extractor fan ceases to function	The kitchen hood feed cable is not connected to the network.	Connect feed cable to the network.
	There is no electrical current in the network	Check that the network has electrical current
The extractor ceases to educt strongly or vibrates	Filters are saturated with fat.	Change or clean the active charcoal and/or metal filters, as the case may be.
	Obstruction in the air exit conduct	Eliminate the obstruction
The lamps do not light up	The lamps are burnt out	Change the lamps
	The lamps are loose	Tighten the lamps

ENG

Sizes and specifications



Küppersbusch Mod. IKD 1157,1 GE-UL

F.Nr*****

POTENCIA NÓM. LÁMPARAS
NENNLEISTUNG LAMPEN
LAMPS POWER
PUISSANCE LAMPES
POTENCIA NÓM. DAS LAMPADAS
POTENZA LAMPADINE
VERMOGEN LAMP
LAMPOR POTENTIAL

Made in Europe

F-PTX

Tec. Cod.



Technical Code	Network Code (V)	Network Frequency (Hz)	Lights/ Motor Power (W)	Motor Volume
22UL324IS	120	60	2x20 / 340	850 m ³ /h

KÜPPERSBUSCH reserves the right to make changes and corrections to its products as it deems necessary, without altering their basic characteristics.

Accesories supplied

- 1 150/125 mm reduction.
- 1 Anti-recoil valve.
- 6 Lock screws (Ø8 x 45).

Grounding Instructions

- This appliance must be grounded. In the event of an electrical short circuit, grounding reduces the risk of electric shock by providing an escape wire for the electric current. This appliance is plugged into an outlet that is properly installed and grounded.

- **WARNING:** Improper grounding can result in a risk of electric shock.
- Consult a qualified electrician if the grounding instructions are not completely understood, or if doubt exists as to whether the appliance is properly grounded.
- Do not use an extension cord. If the power supply cord is too short, have a qualified electrician install an outlet near the appliance.

Installation

On installing the kitchen hood make sure that the Safety Instructions set out on page 2 are complied with.

- **WARNING: TO REDUCE THE RISK OF FIRE, ELECTRIC SHOCK, OR INJURY TO PERSONS, OBSERVE THE FOLLOWING:**

a. Installation work and electrical wiring must be done by qualified person(s) in accordance with all applicable codes and standards, including fire-rated construction.

b. Sufficient air is needed for proper combustion and exhausting of gases through the flue (chimney) of fuel burning equipment to prevent back drafting. Follow the heating equipment manufacturer's guideline and safety standards such as those published by the National Fire Protection Association (NFPA), and the American Society for Heating, Refrigeration and Air Conditioning Engineers (ASHRAE), and the local code authorities.

c. When cutting or drilling into wall or ceiling, do not damage electrical wiring and other hidden utilities.

d. Ducted fans must always be vented to the outdoors.

- **WARNING: TO REDUCE THE RISK OF FIRE, USE ONLY METAL DUCTWORK.**
- **WARNING: To Reduce The Risk Of Fire Or Electric Shock, Do Not Use This Fan With Any Solid-State Speed Control Device.**

To obtain optimum performance, the external conduct must not be more than **FOUR METRES LONG**, have more than two 90° angles and its diameter must be at least $\varnothing 120$.

Installation with output vent

Fig. 1 (Pag. 8)

1) Using the support (O), trace and drill the points for fitting the lock screws (S) ($\varnothing 8 \times 45$) onto the ceiling.

2) Screw the support (O) into the ceiling with the lock screw (S) ($\varnothing 8 \times 45$).

3) Mount the top inner body (A6) in the support (O) with the screws (Q) (M6 x 16).

4) Softly attach the decorative handle (W) to the decorative glass part (U) with the screws (X) (M5) and the washers (Y) provided with the glass.

5) Adjust the decorative glass part (U), fixing it to the body of the kitchen hood using the screws (V) (M4) provided with the glass.

6) Fit the part (A) if the inner tube (not supplied) is $\varnothing 150$ or (A) + (B) if it is $\varnothing 120$.

7) Attach the inner tube with a clamp (not supplied) to (A) or (B) as the case may be.

8) Introduce the upper tubecover (A8) into the lower tubecover (A9).

9) Adjust the group lower tubecover (A9) and upper tubecover (A8) to the bottom inner body (A7) and to the decorative glass wing (U).

10) Mount the bottom group to the top, fixing it to the ceiling with the screws (A10) (M4 x 12) to the desired height.

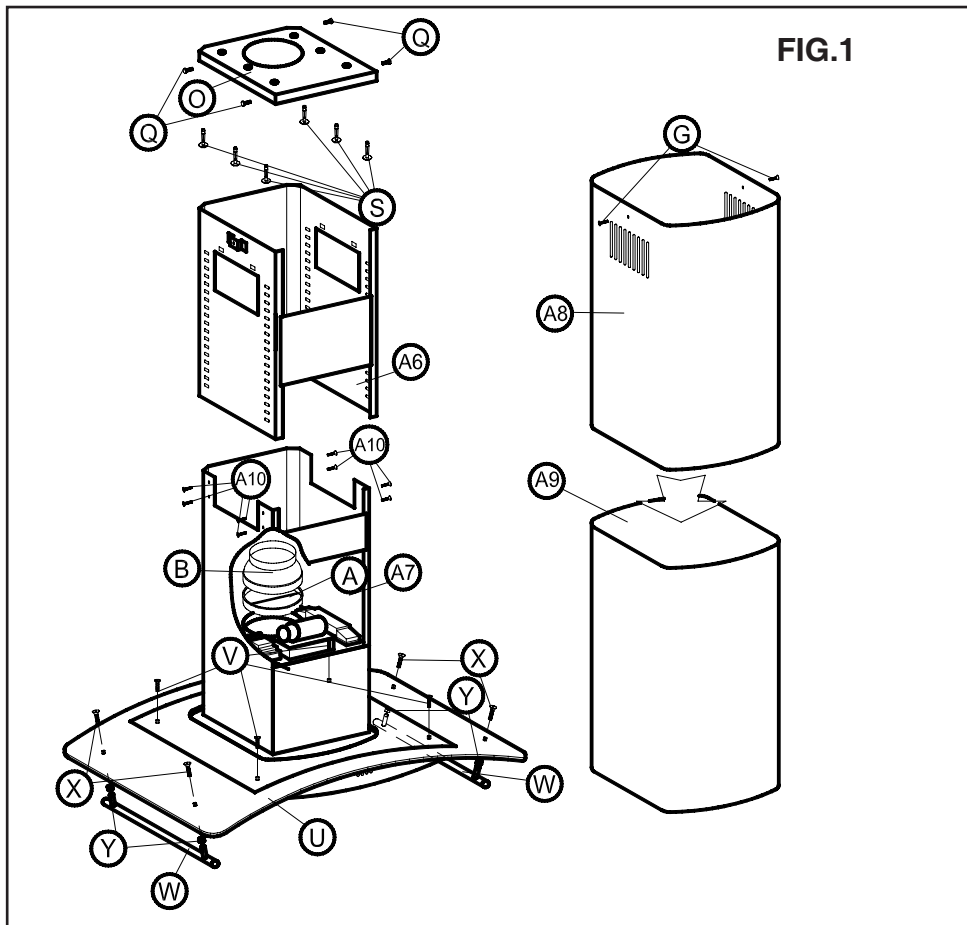
11) Fit the top part of the inner tube (not supplied) to the output vent.

12) Lift the upper tubecover (A8) up to the desired height and fix it to the top group with the screws (G) (M4 x 12, flat head).

13) Adjust finally the decorative glass part (U), fixing it to the body of the kitchen hood using the screws (V) (M4) provided with the glass.

ENG

ENG



Installation without output vent, with active charcoal filters (Optional)

When exterior gas extraction to the outside is not possible, then the kitchen hood may be set to purify the air by recycling it through active charcoal filters.

The active charcoal filters have an active life of between three to six months, depending on the individual conditions of use. These filters cannot be washed nor regenerated. They must be replaced once their useful life comes to an end.

SET type 1 - Fig. 2 (Page 9)

1) Using the support (O), trace and drill the points for fitting the lock screws (S) ($\varnothing 8 \times 45$) onto the ceiling.

2) Screw the support (O) into the ceiling with the tirafondos-anclaje (S) ($\varnothing 8 \times 45$).

3) Mount the top inner body (A6) in the support (O) with the screws (Q) (M6 x 16).

4) Softly attach the decorative handle (W) to the decorative glass part (U) with the screws (X) (M5) and the washer (Y) provided with the glass.

5) Adjust the decorative glass part (U), carefully fixing it to the body of the kitchen hood using the screws (V) (M4) provided with the glass.

6) Fit the part (A) if the inner tube (not supplied) is $\varnothing 150$ or (A) + (B) if it is $\varnothing 120$.

7) Attach the inner tube with a clamp (not supplied) to (A) or (B) as the case may be.

8) Introduce the upper tubecover (A8) into the lower tubecover (A9).

9) Adjust the group lower tubecover (A9) and upper tubecover (A8) to the bottom inner body (A7) and to the decorative glass wing (U).

10) Fit the circular entrance of the part (A5) to the top part of the inner tube (not supplied) with a clamp (not supplied).

11) Mount the bottom group to the top, fixed to the ceiling with the screws (A10) (M4 x 12)

to the desired height.

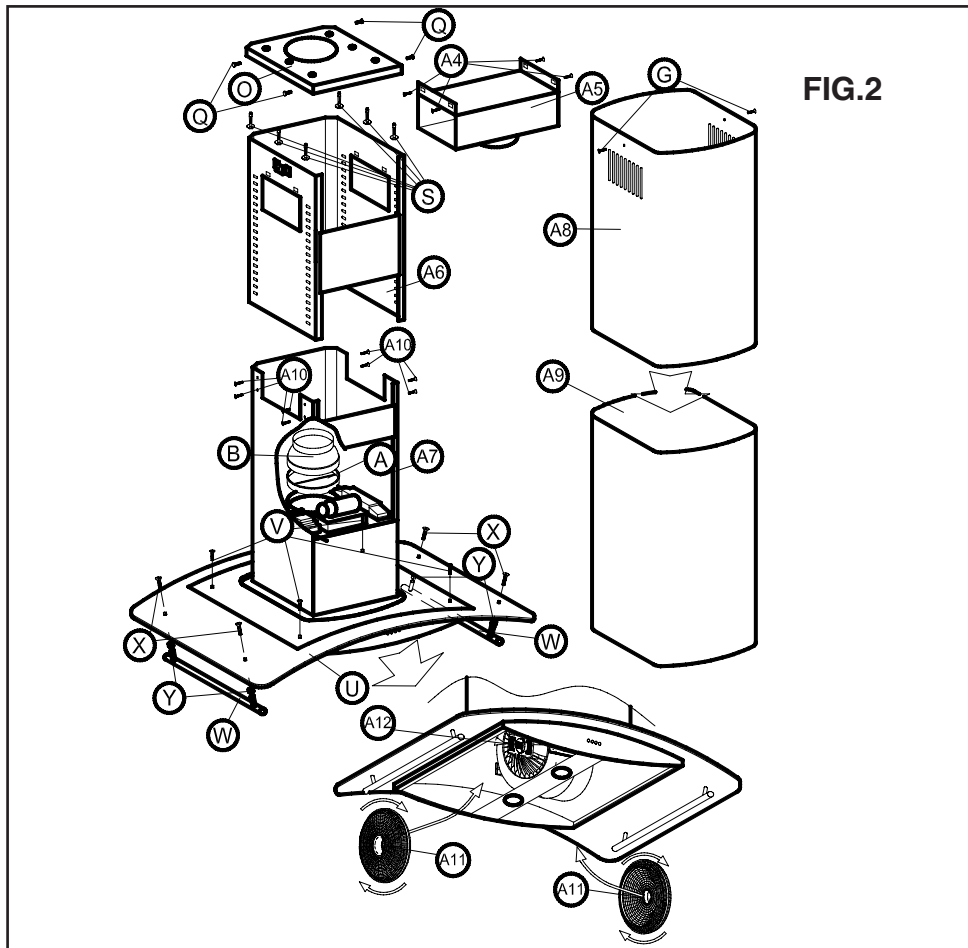
12) Mount the part (A5) with the screws (A4) (M4 x 12) in the rectangle parts of the top inner body (A6).

13) Lift the upper tubecover (A8) up to the desired height and fix it to the top group with the screws (G) (M4 x 12, flat head).

14) Adjust finally the decorative glass part (U), fixing it to the body of the kitchen hood using the screws (V) (M4) provided with the glass.

15) Put the filters into the lateral draught section of the motor making the holes in the filters match up (A11) with the pivots (A12) of the motor carcass.

ENG



Free Manuals Download Website

<http://myh66.com>

<http://usermanuals.us>

<http://www.somanuals.com>

<http://www.4manuals.cc>

<http://www.manual-lib.com>

<http://www.404manual.com>

<http://www.luxmanual.com>

<http://aubethermostatmanual.com>

Golf course search by state

<http://golfingnear.com>

Email search by domain

<http://emailbydomain.com>

Auto manuals search

<http://auto.somanuals.com>

TV manuals search

<http://tv.somanuals.com>