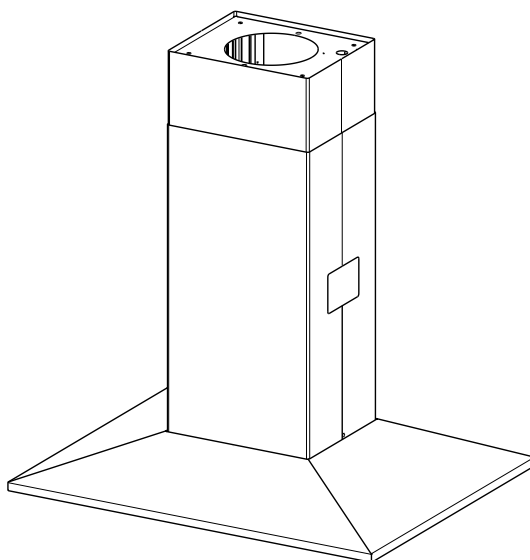


GB Instructions Booklet

FR Mode d'emploi



IKD 12250.0

Küppersbusch

READ AND SAVE THESE INSTRUCTIONS

The Installer must leave these instructions with the homeowner.

The homeowner must keep these instructions for future reference and for local electrical inspectors' use.

READ THESE INSTRUCTIONS BEFORE YOU START INSTALLING THIS RANGEHOOD

WARNING: - TO REDUCE THE RISK OF A RANGE TOP GREASE FIRE: Never leave surface units unattended at high settings. Boilovers cause smoking and greasy spillovers that may ignite. Heat oils slowly on low or medium setting. Always turn hood ON when cooking at high heat or when flambeing foods (i.e. Crepes Suzette, Cherries Jubilee, Peppercorn Beef Flambè). Clean ventilating fans frequently. Grease should not be allowed to accumulate on fan or filter. Use proper pan size. Always use cookware appropriate for the size of the surface element.

WARNING: - TO REDUCE THE RISK OF INJURY TO PERSONS IN THE EVENT OF A RANGE TOP GREASE FIRE, OBSERVE THE FOLLOWING: SMOTHER FLAMES with a close-fitting lid, cookie sheet, or metal tray, then turn off the burner. **BE CAREFUL TO PREVENT BURNS.** If the flames do not go out immediately **EVACUATE AND CALL THE FIRE DEPARTMENT. NEVER PICK UP A FLAMING PAN** - You may be burned. **DO NOT USE WATER,** including wet dishcloths or towels - a violent steam explosion will result. Use an extinguisher ONLY if: 1. You know you have a Class ABC extinguisher, and you already know how to operate it. 2. The fire is small and contained in the area where it started. 3. The fire department is being called. 4. You can fight the fire with your back to an exit.

ALL WALL AND FLOOR OPENINGS WHERE THE RANGEHOOD IS INSTALLED MUST BE SEALED.

This rangehood requires at least 24" of clearance between the bottom of the rangehood and the cooking surface or countertop. This minimum clearance may be higher depending on local building code. For example, for gas ranges, a minimum of 30" may be required. The maximum depth of overhead cabinets is 13". Overhead cabinets on both sides of this unit must be a minimum of 18" above the cooking surface or countertop. Consult the cooktop or range installation instructions given by the manufacturer before making any cutouts. **MOBILE HOME INSTALLATION.** The installation of this rangehood must conform to the Manufactured Home Construction and Safety Standards, Title 24 CFR, Part 3280 (formerly Federal Standard for Mobile Home Construction and Safety, Title 24, HUD, Part 280). Four wire power supply must be used and the appliance wiring must be revised. See Electrical Requirements.

VENTING REQUIREMENTS

Determine which venting method is best for your application. Ductwork can extend either through the wall or the roof. The length of the ductwork and the number of elbows should be kept to a minimum to provide efficient performance. The size of the ductwork should be uniform. Do not install two elbows together. Use duct tape to seal all joints in the ductwork system. Use caulking to seal exterior wall or floor opening around the cap.

Flexible ductwork is not recommended. Flexible ductwork creates back pressure and air turbulence that greatly reduces performance.

Make sure there is proper clearance within the wall or floor for exhaust duct before making cutouts. Do not cut a joist or stud unless absolutely necessary. If a joist or stud must be cut, then a supporting frame must be constructed

WARNING - To Reduce The Risk Of Fire, Use Only Metal Ductwork.

WARNING

- Venting system MUST terminate outside the home.
- DO NOT terminate the ductwork in an attic or other enclosed space.
- DO NOT use 4" laundry-type wall caps.
- Flexible-type ductwork is not recommended.
- DO NOT obstruct the flow of combustion and ventilation air.
- Failure to follow venting requirements may result in a fire.

ELECTRICAL REQUIREMENTS

A 120 volt, 60 Hz AC-only electrical supply is required on a separate 15 amp fused circuit. A time-delay fuse or circuit breaker is recommended. The fuse must be sized per local codes in accordance with the electrical rating of this unit as specified on the serial/rating plate located inside the unit near the field wiring compartment. **THIS UNIT MUST BE CONNECTED WITH COPPER WIRE**

ONLY. Wire sizes must conform to the requirements of the National Electrical Code, ANSI/NFPA 70 - latest edition, and all local codes and ordinances. Wire size and connections must conform with the rating of the appliance. Copies of the standard listed above may be obtained from:

National Fire Protection Association
Batterymarch Park
Quincy, Massachusetts 02269

This appliance should be connected directly to the fused disconnect (or circuit breaker) through flexible, armored or nonmetallic sheathed copper cable. Allow some slack in the cable so the appliance can be moved if servicing is ever necessary. A UL Listed, 1/2" conduit connector must be provided at each end of the power supply cable (at the appliance and at the junction box).

When making the electrical connection, cut a 1 1/4" hole in the wall. A hole cut through wood must be sanded until smooth. A hole through metal must have a grommet.

WARNING - TO REDUCE THE RISK OF FIRE OR ELECTRIC SHOCK, do not use this fan with any solid-state speed control device.

WARNING - TO REDUCE THE RISK OF FIRE, ELECTRICAL SHOCK, OR INJURY TO PERSONS, OBSERVE THE FOLLOWING: Use this unit only in the manner intended by the manufacturer. If you have any questions, contact the manufacturer.

Before servicing or cleaning unit, switch power off at service panel and lock the service disconnecting means to prevent power from being switched on accidentally. When the service disconnecting means cannot be locked, securely fasten a prominent warning device, such as a tag, to the service panel.

CAUTION: For General Ventilating Use Only. Do Not Use To Exhaust Hazardous or Explosive Materials and Vapors.

WARNING - TO REDUCE THE RISK OF FIRE, ELECTRICAL SHOCK, OR INJURY TO PERSONS, OBSERVE THE FOLLOWING: Installation Work And Electrical Wiring Must Be

Done By Qualified Person(s) In Accordance With All Applicable Codes And Standards, Including Fire-Rated Construction.

Sufficient air is needed for proper combustion and exhausting of gases through the flue (chimney) of fuel burning equipment to prevent backdrafting. Follow the heating equipment manufacturer's guideline and safety standards such as those published by the National Fire Protection Association (NFPA), and the American Society for Heating, Refrigeration and Air Conditioning Engineers (ASHRAE), and the local code authorities.

When cutting or drilling into wall or ceiling, do not damage electrical wiring and other hidden utilities.

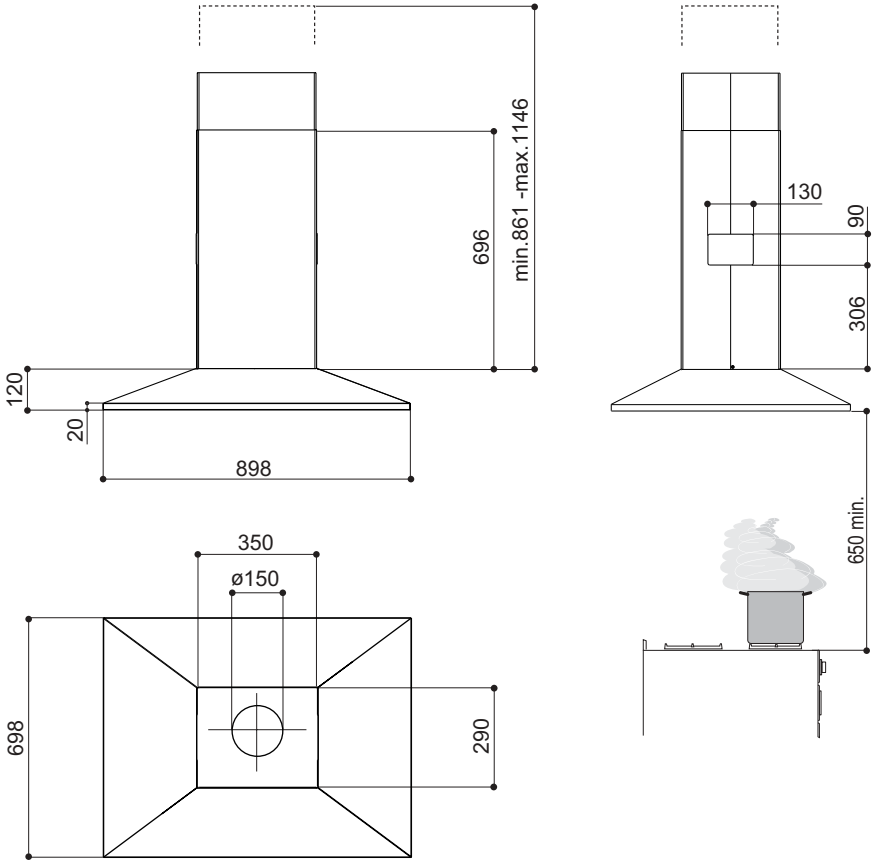
Ducted fans must always be vented to the outdoors.

W A R N I N G

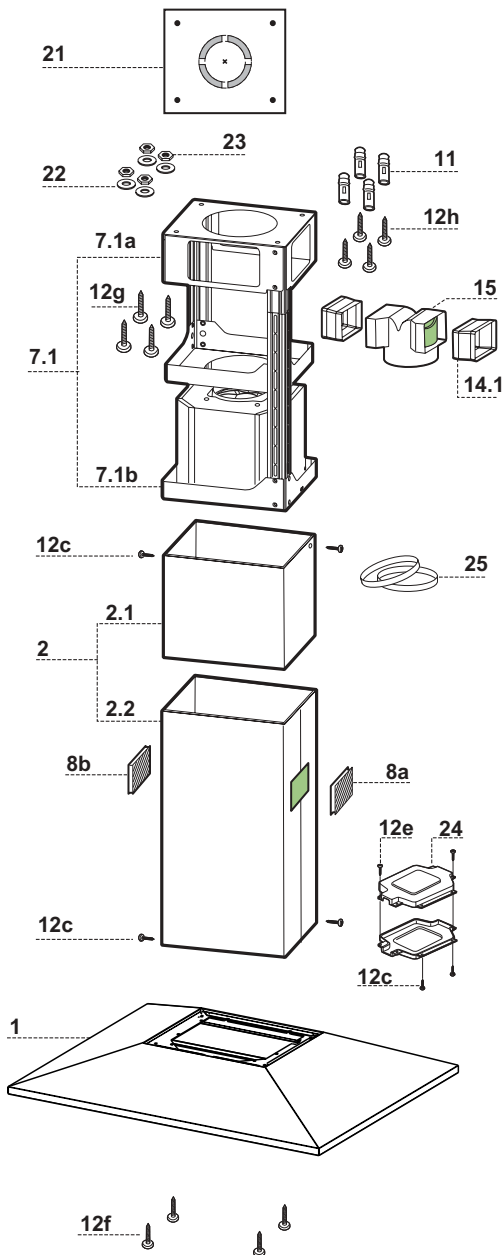
- Electrical ground is required on this rangehood.
- If cold water pipe is interrupted by plastic, nonmetallic gaskets or other materials, DO NOT use for grounding.
- DO NOT ground to a gas pipe.
- DO NOT have a fuse in the neutral or grounding circuit. A fuse in the neutral or grounding circuit could result in electrical shock.
- Check with a qualified electrician if you are in doubt as to whether the rangehood is properly grounded.
- Failure to follow electrical requirements may result in a fire.

CHARACTERISTICS

Dimensions



Components



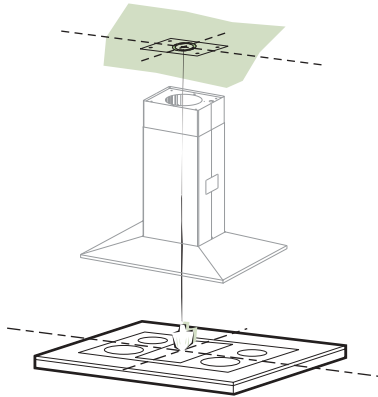
Ref.	Q.ty	Product Components
1	1	Hood Body, complete with: Controls, Light, Blower, Filters
2	1	Telescopic Chimney comprising:
2.1	1	Upper Section
2.2	1	Lower Section
7.1	1	Telescopic frame complete with extractor, consisting of:
7.1a	1	Upper frame
7.1b	1	Lower frame
8a	1	Right Air Outlet Grill
8b	1	Left Air Outlet Grill
14.1	1	Air Outlet Connection Extension
15	1	Air Outlet Connection
24	1	Junction box
25	2	Pipe clamps

Ref.	Q.ty	Installation Components
11	4	Wall Plugs $\varnothing 10$
12c	6	Screws 2,9 x 9,5
12e	2	Screws 2,9 x 6,5
12f	4	Screws M6 x 10
12g	4	Screws M6 x 80
12h	4	Screws 5,2 x 70
21	1	Drilling template
22	4	6.4 mm int. dia washers
23	4	M6 nuts

Q.ty	Documentation
1	Instruction Manual

INSTALLATION

Drilling the Ceiling/shelf and fixing the frame



DRILLING THE CEILING/SHELF

- Use a plumb line to mark the centre of the hob on the ceiling/support shelf.
- Place the drilling template **21** provided on the ceiling/support shelf, making sure that the template is in the correct position by lining up the axes of the template with those of the hob.
- Mark the centres of the holes in the template.
- Drill the holes at the points marked:
 - For concrete ceilings, drill for plugs appropriate to the screw size.
 - For hollow brick ceilings with wall thickness of 20 mm: drill \varnothing 10 mm (immediately insert the Dowels **11** supplied).
 - For wooden beam ceilings, drill according to the wood screws used.
 - For wooden shelf, drill \varnothing 7 mm.
 - For the power supply cable feed, drill \varnothing 10 mm.
 - For the air outlet (Ducted Version), drill according to the diameter of the external air exhaust duct connection.
- Insert two screws of the following type, crossing them and leaving 4-5 mm from the ceiling:
 - For concrete ceilings, use the appropriate plugs for the screw size (not provided).
 - For Cavity ceiling with inner space, with wall thickness of approx. 20 mm, Screws **12h**, supplied.
 - For wooden beam ceilings, use 4 wood screws (not provided).
 - For wooden shelf, use 4 screws **12g** with washers **22** and nuts **23**, provided.

FIXING THE FRAME

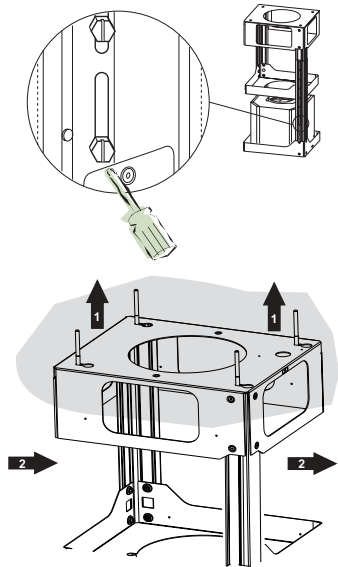
- Loosen the two screws fastening the lower chimney and remove this from the lower frame.
- Loosen the two screws fastening the upper chimney and remove this from the upper frame.

If you wish to adjust the height of the frame, proceed as follows:

- Unfasten the eight metric screws joining the two columns, located at the sides of the frame.
- Adjust the frame to the height required, then replace all the screws removed as above.
- Insert the upper chimney stack from above, and leave it running free on the frame.
- Lift up the frame, fit the frame slots onto the screws up to the slot end positions.
- Tighten the two screws and fasten the other two screws provided with the hood.

Before tightening the screws completely it is possible to adjust the frame by turning it. Make sure that the screws do not come out of their seats in the slotted holes.

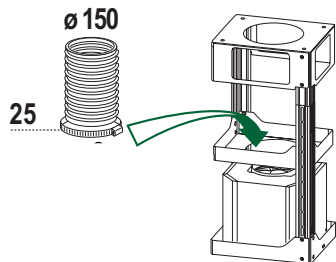
- The frame mountings must be secure to withstand the weight of the hood and any stresses caused by the occasional side thrust applied to the device. On completion, check that the base is stable, even if the frame is subjected to bending.
- In all cases where the ceiling is not strong enough at the suspension point, the installer must provide strengthening using suitable plates and backing pieces anchored to the structurally sound parts. Connections



DUCTED VERSION AIR EXHAUST SYSTEM

When installing the ducted version, connect the hood to the chimney using either a flexible or rigid pipe \varnothing 150 mm, the choice of which is left to the installer.

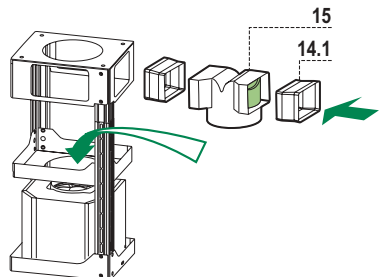
- Fix the pipe using the pipe clamps **25** provided.
- Remove any activated charcoal filters.



RECIRCULATION VERSION AIR OUTLET

- Push fit connection **15** onto the air outlet.
- Insert the connection extension pieces laterally **14.1** in connection **15**.

Should the central reinforcing piece of the frame somehow interfere the chimney air outlet grille, it is possible to unscrew it and to place it in another screw hole set.

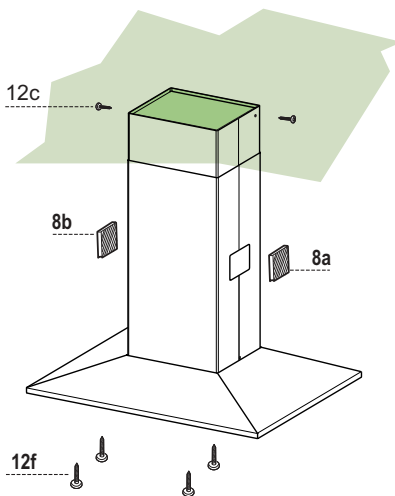


Flue assembly - Mounting the hood body

- Position the upper chimney section and fix the upper part to the frame using the 2 screws **12c** (2,9 x 9,5) provided.
- Similarly, position the lower chimney section and fix the lower part to the frame using the 2 screws **12c** (2,9 x 9,5) provided.

Recirculation version

- Make sure that the outlet of the extension pieces **14.1** is horizontally and vertically aligned with the chimney outlets.
- If this is not the case, remove the lower chimney section and adjust the position by either reversing the connection extension pieces **14.1**, then reassemble as described previously.
- Fit the directional grids **8a** - **8b** in their housings making sure that the directional symbols are towards the top. Also make sure that they are correctly inserted in the connection extension pieces **14.1**.

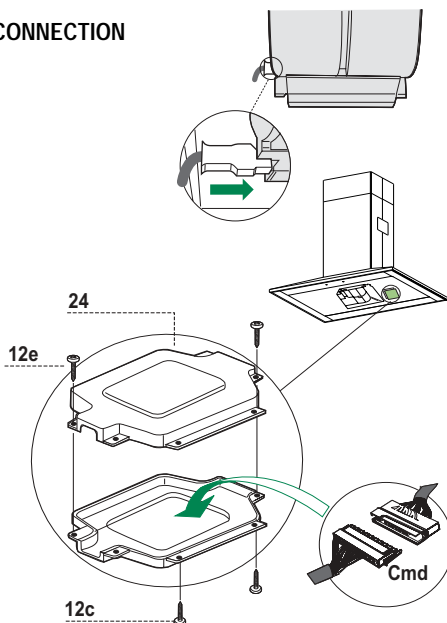


Before fixing the hood body to the frame:

- Remove the grease filters from the hood body.
- Remove any activated charcoal filters.
- From below, use the 4 screws **12f** (M6 x 10) provided to fix the hood body to the frame.

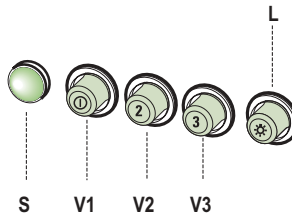
ELECTRICAL CONNECTION

- Connect the hood to the mains through a two-pole switch having a contact gap of at least 3 mm.
- Remove the grease filters (see paragraph Maintenance) being sure that the connector of the feeding cable is correctly inserted in the socket placed on the side of the fan
- Connect the control connector **Cmd**.
- Place the connector in the junction box **24** and close it using the 2 screws **12e** (2,9 x 9,5) provided.
- Fix the junction box to the hood body using the 2 screws **12c** (2,9 x 6,5) provided.
- For the recirculation version, fit the activated carbon odour filter.
- Replace the grease filters.



USE

Control panel



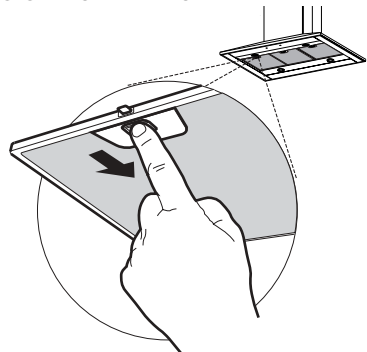
L	Light	Switches the lighting system on and off.
S	Led	Motor running led.
V1	Motor	Switches the extractor motor on and off at low speed. Used to provide a continuous and silent air change in the presence of light cooking vapours.
V2	Speed	Medium speed, suitable for most operating conditions given the optimum treated air flow/noise level ratio.
V3	Speed	Maximum speed, used for eliminating the highest cooking vapour emission, including long periods.

MAINTENANCE

Grease filters

CLEANING METAL SELF- SUPPORTING GREASE FILTERS

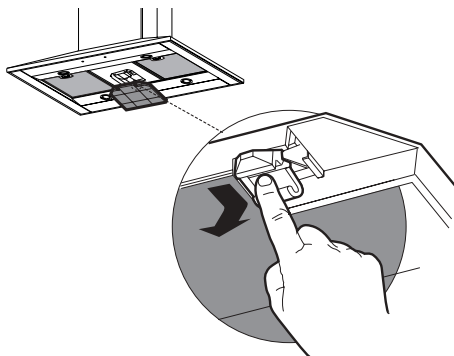
- The filters must be cleaned every two months of operation, or more frequently with heavy usage, and can be washed in a dishwasher.
- Remove the filters by pushing them towards the back of the group and pulling down at the same time.
- Wash the filters, taking care not to bend them. Allow them to dry before refitting.
- When refitting the filters, make sure that the handle is visible on the outside.



Activated charcoal filter (Recirculation version)

REPLACING THE ACTIVATED CHARCOAL FILTER

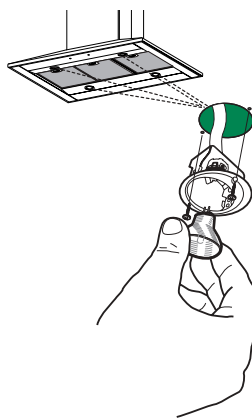
- This filter is not washable and cannot be regenerated, and must be replaced approximately every four months of operation, or more frequently with heavy usage.
- Remove the metal grease filters.
- Remove the saturated activated carbon filter by releasing the fixing hooks.
- Fit the new filter by hooking it into its seating.
- Replace the metal grease filters.



Lighting

LIGHT REPLACEMENT

- **20 W halogen light.**
- Remove the 2 Screws fixing the Lighting support, and pull it out of from the Hood.
- Extract the Lamp from the Support.
- Replace with another of the same type, making sure that the two pins are properly inserted in the lamp holder socket holes.
- Replace the Support, fixing it in place with the two Screws removed as above.



FUSE REPLACEMENT

Fuse: model 5x20 5A time-delay

- Remove the filters.
- Remove the Screws fixing the fuseholder box.
- Open the fuseholder (bayonet fixing).
- Replace the fuse with another of the same type.
- Replace the fuseholder box and the filters.

LISEZ BIEN CETTE FICHE AVANT D'INSTALLER LA HOTTE

AVERTISSEMENT - POUR MINIMISER LE RISQUE D'UN FEU DE GRAISSE SUR LA TABLE DE CUISSON : Ne jamais laisser un élément de la table de cuisson fonctionner sans surveillance à la puissance de chauffage maximale; un renversement/débordement de matière grasseuse pourrait provoquer une inflammation et le génération de fumée. Utiliser toujours une puissance de chauffage moyenne ou basse pour le chauffage d'huile. Actionner toujours la hotte quand on fait la cuisine à une haute température et pendant la cuisson flambée (Crepes Suzette, Cerises Flambées, Boeuf au poivre noir). Nettoyer fréquemment les ventilateurs d'extraction. Veiller à ne pas laisser de la graisse s'accumuler sur les surfaces du ventilateur ou des filtres. Utiliser toujours un ustensile de taille appropriée. Utiliser toujours un ustensile de taille adapté à la taille de l'élément chauffant.

AVERTISSEMENT: - POUR PRÉVENIR LES BLESSURES EN CAS DE FEU SUIVRE LES RECOMMANDATIONS SUIVANTES: ÉTOUFFEZ LE FEU avec un couvercle métallique et fermez le brûleur. Si le feu ne s'éteint pas tout de suite, **QUITTEZ LES LIEUX ET APPELEZ LES POMPIERS. NE TOUCHEZ JAMAIS UNE CASSEROLE EN FLAMMES. N'UTILISEZ JAMAIS DE L'EAU** ou un torchon mouillé pour éteindre le feu - ce qui pourrait causer une explosion de vapeur. N'utilisez un extincteur que si: 1. Vous avez un modèle ABC et vous connaissez bien son mode d'emploi. 2. Le feu est petit et peu répandu. 3. Les pompiers sont déjà prévenus. 4. Vous avez une sortie derrière vous.

TOUTE OUVERTURE DANS LE MUR OU LE PLANCHER À PROXIMITÉ DE LA HOTTE DOIT ÊTRE SCELLÉ

Gardez 24 po. de hauteur entre le bas de la hotte et la surface de cuisson. Cette hauteur minimum peut être plus haute suivant le code municipal. Par exemple, les cuisinières à gaz peuvent requérir 30 po. de hauteur. Les armoires au-dessus ne dépasseront pas 13 po. de profondeur. Les armoires au-dessus de chaque côté devront être au moins à 18 po. au-dessus de la surface de cuisson. Consultez la fiche technique avant de découper les armoires. L'installation de cette hotte doit être conforme aux Règlements de Manufactured Home Construction and Safety Standards, titre 24 CFR, Section 3280 (anciennement Federal Standard for Mobile Home Construction and Safety Standards, titre 24 CFR, Section 3280 (anciennement Federal Standard for Mobile Home Construction and Safety, titre 24, HUD, Section 280). Le branchement électrique se fait avec une raccordement à 4 fils. Consultez la fiche technique électrique.

RÈGLEMENTS D'ÉVACUATION

Confirmer la sortie d'évacuation - soit par le mur, soit par le toit. Utilisez une longueur de tuyauterie minimale avec les moindres de coudes pour la plus grande efficacité. Le diamètre de tuyauterie doit être uniforme. N'installez jamais 2 coudes ensemble. Scellez bien tous les joints avec un ruban adhésif métallique à l'intérieur et scellez bien le clapet extérieur avec du calfeutrage.

Utilisez un tuyau d'évacuation rigide lorsque possible. Un tuyau flexible égale deux fois plus qu'un tuyau rigide, ce qui réduit la puissance d'évacuation.

Veillez à ce que l'espace pour le tuyau soit ample - ainsi on n'aurait pas besoin de découper les supports de mur intérieur. Si ce découpage est nécessaire, veillez bien à ce qu'un renforcement soit mis en place.

AVERTISSEMENT - Pour Ne Pas Risquer Un Feu, Utilisez Seulement Les Matériaux Métalliques.

AVERTISSEMENT

- Le système d'évacuation DOIT sortir à l'extérieur.
- N'ÉVACUEZ PAS le conduit soit dans une mansarde soit dans un espace enfermé.
- N'UTILISEZ PAS un clapet de séchoir à 4 pouces.
- N'utilisez pas un conduit flexible.
- N'ENCOMBREZ PAS la circulation d'air.
- Faute de suivre cet avertissement pourrait occasionner un feu.

FICHE TECHNIQUE ÉLECTRIQUE

Le raccordement électrique doit se faire avec un circuit séparé de 15 ampères fusible à 120V, 60 Hz, courant alternant. On recommande un coupe-circuit. La taille du fusible doit se conformer aux codes municipaux suivant la spécification électrique sur la plaque intérieure. Le diamètre du fil devra aussi se conformer aux règlements du code national électrique, ANSI/NFPA 70 - ainsi qu'aux règlements locaux et les spécifications de cet appareil. On peut obtenir ces informations chez:

l'Association Nationale de la Prévention du Feu
Batterymarch Park
Quincy, Massachusetts 02269

Raccordez cet appareil directement au coupe-circuit avec un fil flexible couvert en cuivre en laissant un peu de lâchement dans le fil pour permettre le déplacement de l'appareil. Veillez à ce qu'un contact d'un demi-pouce (1/2 po.) soit installé à chaque bout de fil (soit à l'appareil ainsi qu'à la boîte à fusible).

Faites un trou de 1 1/4 po. dans le mur. S'il s'agit d'un trou en bois - sablez-le bien, tandis qu'un trou passant par le métal demande un bouche-trou. La boîte pour les jonction doit être fixée au mur.(V. figure)

AVERTISSEMENT - POUR RÉDUIRE LE RISQUE D'INCENDIE OU DE CHOC ELECTRIQUE, ne pas utiliser ce ventilateur en conjonction avec un dispositif de réglage de vitesse à semi-conducteurs.

AVERTISSEMENT – POUR MINIMISER LES RISQUES D'INCENDIE, CHOC ÉLECTRIQUE OU DOMMAGES CORPORELS, OBSERVER LES PRESCRIPTIONS SUIVANTES: Suivez les recommandations du fabricant et entre en communication avec lui pour toute information.

Fermez le courant avant tout entretien et veillez à ce qu'il reste fermé. Si on ne peut pas verrouiller le panneaux du service électrique, affichez un avis de danger sur la porte.

AVIS: Pour L'évacuation Générale - Veillez à Ne Pas Evacuer Des Matériaux Ou Vapeurs Explosif.

AVERTISSEMENT – POUR MINIMISER LES RISQUES D'INCENDIE, CHOC ÉLECTRIQUE OU DOMMAGES CORPORELS, OBSERVER LES PRESCRIPTIONS SUIVANTES: L'installation Et Le Raccordement Electrique Doivent Se Faire Par Un Technicien Qualifié Selon Tous Les Codes Municipaux.

Afin d'obtenir un rendement maximal en ce qui a trait à la combustion ainsi qu'à l'évacuation des gaz par la conduite de cheminée, une bonne aération est nécessaire pour tous les

appareils à combustion. Suivez les conseils et mesures de sécurité du fournisseur tels que ceux publiés par l'Association Nationale de la Sauvegarde contre l'Incendie et l'Association Américaine d'Ingénieurs de Chauffage, Frigorifaction et Air Climatisé ainsi que les codes municipaux.

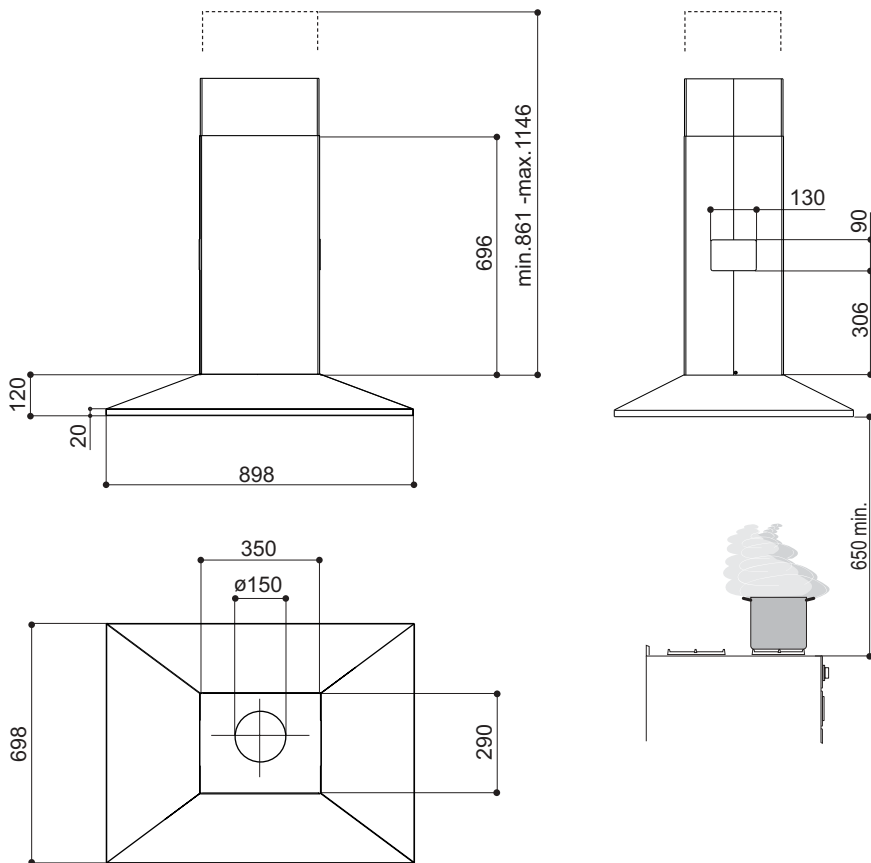
En perçant un mur veillez à ne pas perforer un autre fil électrique.

Une hotte à évacuation extérieure doit être raccordée à l'extérieur.

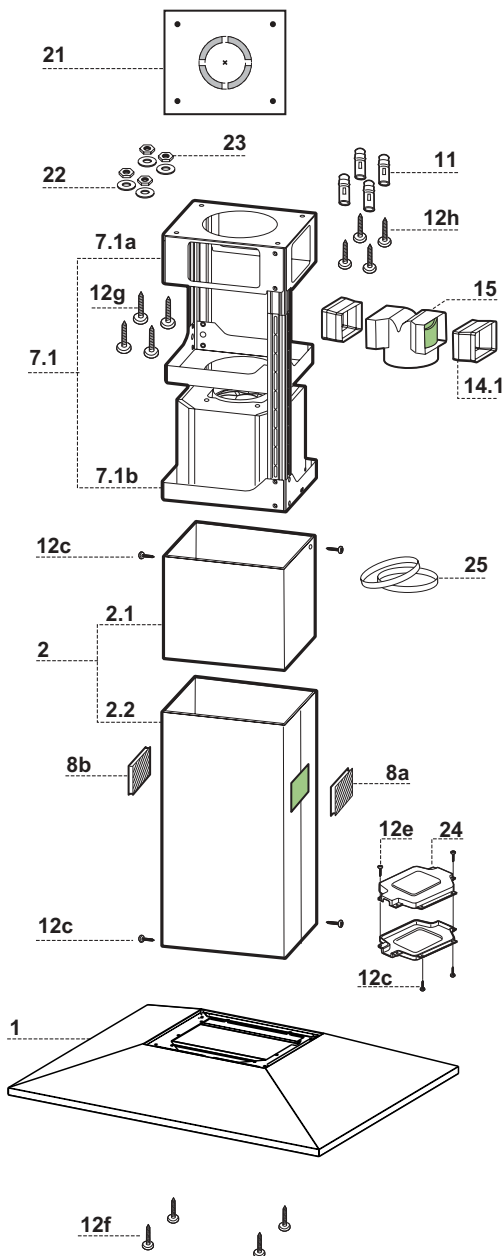
AVERTISSEMENT

- Une prise à terre est nécessaire pour cette hotte.
- N'utilisez pas un tuyau à l'eau froide pour la mise à terre s'il est branché à un joint plastique, non-métallique ou autre.
- **NE JOIGNEZ PAS** la mise à terre à conduit de gaz.
- **N'INSTALLEZ PAS** un fusible dans le circuit de mise à terre - ce qui peut causer une secousse électrique.
- Vérifiez avec un électricien certifié à ce que la hotte soit bien mise à terre.
- Faute de suivre ces recommandations pourrait occasionner un feu.

Encombrement



Composants

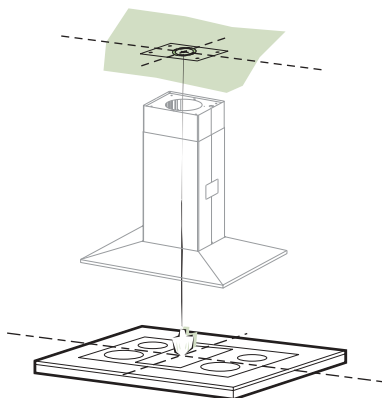


Réf.	Q.té	Composants de Produit
1	1	Corps Hotte équipé de: Comandes, Lumière, Filtrés
2	1	Cheminée Télescopique formée de :
2.1	1	Cheminée Supérieure
2.2	1	Cheminée Inférieure
7.1	1	Treillis télescopique avec Aspirateur, formé par:
7.1a	1	Treillis supérieur
7.1b	1	Treillis inférieur
8a	1	Grille en Direction Droite Sortie Air
8b	1	Grille en Direction Gauche Sortie Air
14.1	1	Rallonge Raccord Sortie Air
15	1	Raccord Sortie Air
24	1	Boîte connexions
25	2	Colliers de serrage serre-tube

Réf.	Q.té	Composants pour l'installation
11	4	Chevilles \varnothing 10
12c	6	Vis 2,9 x 9,5
12e	2	Vis 2,9 x 6,5
12f	4	Vis M6 x 10
12g	4	Vis M6 x 80
12h	4	Vis 5,2 x 70
21	1	Gabarit de perçage
22	4	Rondelles \varnothing 6,4
23	4	Écrous M6

Q.té	Documentation
1	Manuel d'instructions

Perçage Plafond/Étagère et Fixation Treillis



PERÇAGE PLAFOND/ÉTAGÈRE

- À l'aide d'un Fil à plomb, reporter sur le Plafond/Étagère de support le centre du Plan de Cuisson.
- Poser contre le Plafond/Étagère le Gabarit de Perçage 21 fourni avec l'appareil, en faisant coïncider son centre avec le centre projeté et en alignant les axes du Gabarit avec les axes du Plan de Cuisson.
- Marquer les centres des Trous du Gabarit.
- Percer les trous qui ont été marqués:
 - Plafond en Béton massif: en fonction des Goujons pour Béton utilisés.
 - Plafond en Briques avec chambre à air, avec épaisseur résistante de 20 mm: \varnothing 10 mm (insérer immédiatement les Chevilles **11** fournies avec l'appareil).
 - Plafond en Poutrage en Bois: en fonction des Vis à Bois utilisées.
 - Étagère en Bois: \varnothing 7 mm.
 - Passage du Câble électrique d'Alimentation: \varnothing 10 mm.
 - Sortie Air (Version Aspirante): en fonction du diamètre de la connexion avec les Tuyaux d'Évacuation Externe.
- Visser deux vis en les croisant et en laissant 4-5 mm. de distance par rapport au plafond:
 - pour le Béton massif, des Goujons pour Béton, non fournis avec l'appareil.
 - pour Briques percées, ayant une épaisseur résistante de 20 mm. environ, utiliser les Vis **12h**, fournies avec l'appareil.
 - pour le Poutrage en bois, 4 Vis à bois, non fournies avec l'appareil.
 - pour l'Étagère en Bois, 4 Vis **12g** avec Rondelles **22** et Écrous **23**, fournis avec l'appareil.

FIXATION TREILLIS

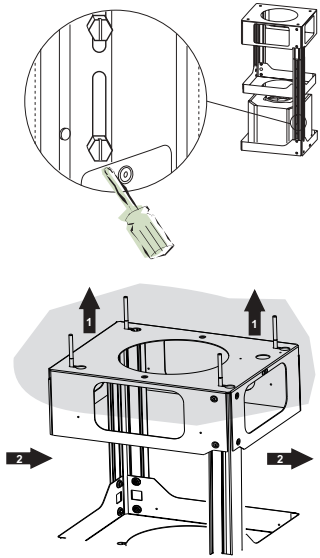
- Dévisser les deux vis qui fixent la cheminée inférieure et sortir cette dernière du treillis (depuis la partie inférieure).
- Dévisser les deux vis qui fixent la cheminée supérieure et sortir cette dernière du treillis (depuis la partie supérieure).

Si l'on souhaite régler la hauteur du treillis, effectuer les opérations suivantes:

- Dévisser les huit vis métriques qui unissent les deux colonnes, qui se trouvent sur les côtés du treillis.
- Régler la hauteur souhaitée du treillis et revisser les vis qui ont été précédemment retirées.
- Insérer la cheminée supérieure depuis le haut et la laisser libre sur le treillis.
- Soulever le treillis, encastrer les oeilletons sur les vis et faire coulisser jusqu'à la butée;
- Serrer les deux vis et visser les autres deux vis fournies avec l'appareil;

Avant de serrer définitivement les vis, il est possible d'effectuer des réglages, en déplaçant le treillis, tout en contrôlant que les vis ne sortent pas du logement de l'œillet de réglage.

- La fixation du Treillis doit être solide, en fonction du poids de la Hotte et des contraintes provoquées par les poussées latérales occasionnelles auxquelles l'Appareil monté sera soumis. Après avoir effectué la fixation, vérifier que la base soit stable, même si le Treillis est soumis à des contraintes de flexion.
- Dans tous les cas où le Plafond ne devait pas être suffisamment robuste en correspondance du point d'accrochage, l'Installateur devra se charger de le rendre plus solide au moyen de plaques et contreplaques spéciales, ancrées sur les parties structurellement résistantes.

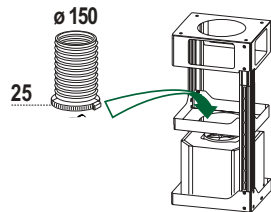


Branchements

SORTIE AIR VERSION ASPIRANTE

En cas d'installation en version aspirante, brancher la hotte à la tuyauterie de sortie via un tube rigide ou flexible de $\varnothing 150$ ou 120 mm, au choix de l'installateur.

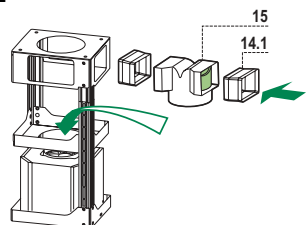
- Fixer le tuyau à l'aide des Colliers de serrage serre-tube **25** fournis avec l'appareil.
- Retirer les éventuels filtres anti-odeur au charbon actif.



SORTIE AIR VERSION FILTRANTE

- Insérer par pression le raccord **15** à la sortie de l'air.
- Insérer latéralement les rallonges raccord **14.1** sur le raccord **15**.

Si la plaque centrale de renforcement devait interférer avec les petites grilles, il sera possible de la dévisser et de la positionner sur une autre série de trous.

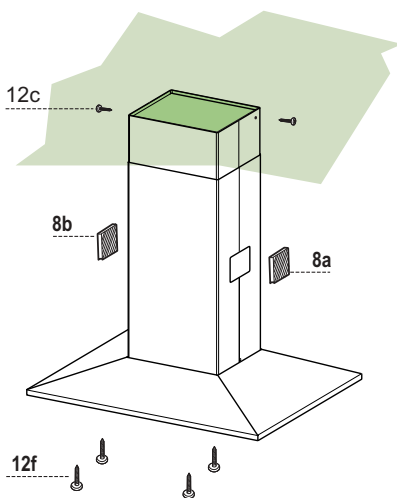


Montage Cheminée - Montage Corps Hotte

- Positionner la Cheminée supérieure et fixer cette dernière dans la partie supérieure du Treillis à l'aide de 2 Vis **12c** (2,9 x 9,5) fournies avec l'appareil.
- De la même façon, positionner la Cheminée inférieure et fixer cette dernière dans la partie inférieure du Treillis à l'aide de 2 Vis **12c** (2,9 x 9,5) fournies avec l'appareil.

Version Filtrante

- S'assurer que la sortie des rallonges raccord **14.1** se trouve au niveau des bouches de la cheminée aussi bien en horizontal qu'en vertical.
- Si tel n'est pas le cas, démonter la Cheminée inférieure et ajuster la position en inversant les rallonges raccord **14.1**; remonter les pièces comme décrit au préalable.
- Appliquer les grilles en direction **8a - 8b** dans les logements appropriés, pour que les symboles de direction soient orientés vers le haut. S'assurer également qu'elles sont bien insérées dans les rallonges raccord **14.1**.

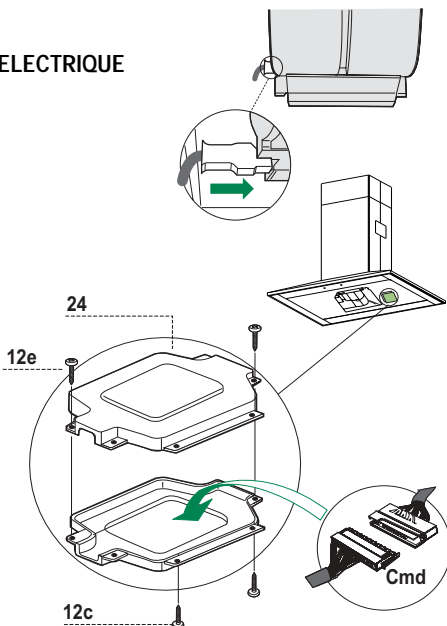


Avant de fixer le Corps de la Hotte au Treillis:

- Retirer les Filtres anti-graisse du Corps de la Hotte.
- Retirer les éventuels Filtres Anti-odeur au Charbon actif.
- Ensuite, fixer par le bas, au moyen de 4 Vis **12f** (M6 x 10) fournies avec l'appareil, le Corps de la Hotte au Treillis prévu.

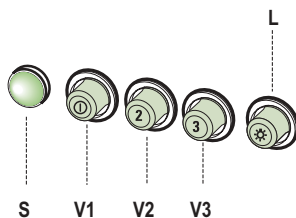
BRANCHEMENT ELECTRIQUE

- Brancher la hotte sur le secteur en interposant un interrupteur bipolaire avec ouverture des contacts d'au moins 3 mm.
- Enlever les filtres à graisse (voir § "Entretien") et s'assurer que le connecteur du câble d'alimentation soit bien branché dans la prise du diffuseur.
- Connecter le Connecteur des Commandes **Cmd**.
- Ranger le Connecteur dans la Boîte de protection **24** en la fermant à l'aide des 2 Vis **12e** (2,9 x 9,5) fournies avec l'appareil.
- Fixer la Boîte de protection au Corps de la Hotte à l'aide des 2 Vis **12c** (2,9 x 6,5) fournies avec l'appareil.
- Pour la Version Filtrante, monter le Filtre Anti-odeur au Charbon actif.
- Remonter les Filtres Anti-graisse.



UTILISATION

Tableau de commande



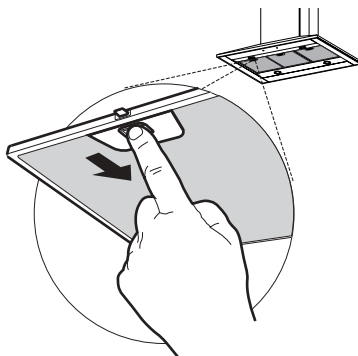
L	Lumières	Allume et éteint l'installation de l'éclairage.
S	Led	Led allumage Moteur.
V1	Moteur	Met en marche et à l'arrêt le moteur aspiration à vitesse minimale, pour un rechange d'air permanent particulièrement silencieux en cas de faibles vapeurs de cuisson.
V2	Vitesse	Vitesse moyenne pour la plupart des conditions d'utilisation, étant donné le rapport optimal entre débit d'air traité et niveau sonore.
V3	Vitesse	Vitesse maximum, pour faire face aux émissions maximum de vapeur de cuisson, même pendant des temps prolongés.

ENTRETIEN

Filtres anti-graisse

NETTOYAGE FILTRES ANTI-GRAISSE METALLIQUES AUTOPORTEURS

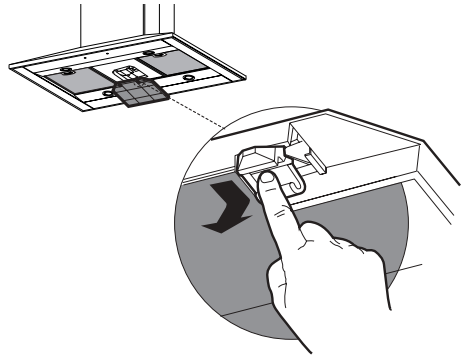
- Lavable au lave-vaisselle, il doit être lavé environ tous les deux mois ou plus fréquemment en cas d'utilisation intense.
- Retirer le filtre en le poussant vers la partie arrière du groupe et en tirant simultanément vers le bas.
- Laver le Filtre en évitant de le plier, puis laisser sécher avant de le remonter.
- Remonter le filtre en veillant à ce que la Poignée reste vers la partie visible externe.



Filter anti-odeur (Version filtrante)

REPLACEMENT FILTRE AU CHARBON ACTIF

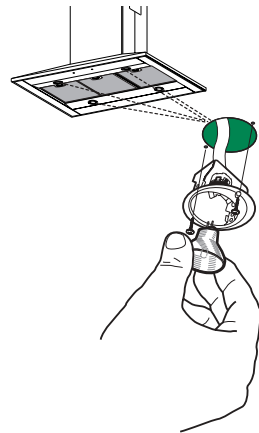
- Ni lavable, ni régénérable, le remplacer au moins tous les 4 mois ou plus fréquemment, pour une utilisation très intense.
- Retirer le filtre anti-graisse métallique.
- Retirer le filtre anti-odeur au charbon actif colmaté, en agissant sur les crochets prévus à cet effet.
- Monter le nouveau filtre anti-odeur au charbon actif.
- Remonter le filtre anti-graisse métallique.



Eclairage

REPLACEMENT LAMPES

- **Lampe halogène de 20 W.**
- Retirer les 2 Vis qui fixent le Support éclairage et ôter ce dernier de la Hotte.
- Extraire la Lampe du Support.
- Remplacer par une nouvelle lampe possédant les mêmes caractéristiques, en veillant à ce que les deux fiches soient correctement insérées dans le logement de la Douille.
- Remonter le Support en le fixant à l'aide des deux Vis précédemment retirées.



CHANGEMENT DES FUSIBLES

Fusible: modèle 5X20 5A

- Enlever les filtres.
- Enlever les vis en fixant le boîte porte-fusibles.
- Ouvrir le porte-fusibles.
- Remplacer le fusible avec un autre du même modèle.
- Remplacer la boîte porte-fusible et les filtres.

KÜPPERSBUSCH Hausgeräte AG
Küppersbuschstraße, 16
D - 45883 Gelsenkirchen

Hausanschrift:
Küppersbuschstr. 16
45883 Gelsenkirchen
Telefon: (02 09) 4 01-0
Telefax: 20 931 810
Telefax: (02 09) 4 01-3 03



436002169_02 - 040921

Free Manuals Download Website

<http://myh66.com>

<http://usermanuals.us>

<http://www.somanuals.com>

<http://www.4manuals.cc>

<http://www.manual-lib.com>

<http://www.404manual.com>

<http://www.luxmanual.com>

<http://aubethermostatmanual.com>

Golf course search by state

<http://golfingnear.com>

Email search by domain

<http://emailbydomain.com>

Auto manuals search

<http://auto.somanuals.com>

TV manuals search

<http://tv.somanuals.com>