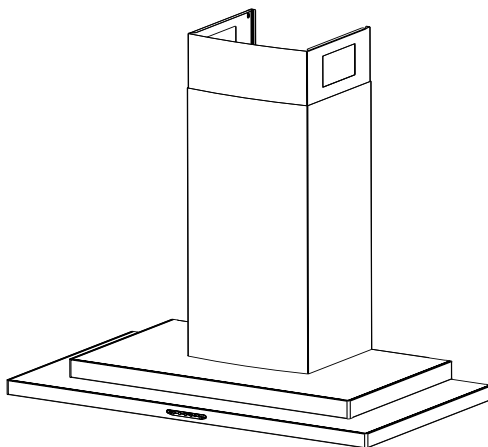


Ⓜ GB Instructions Booklet

Ⓜ F Mode d'emploi



KD 6500.1

KD 9500.1

Küppersbusch

.....



.....

.....

READ AND SAVE THESE INSTRUCTIONS

.....

The Installer must leave these instructions with the homeowner.

The homeowner must keep these instructions for future reference and for local electrical inspectors' use.

READ THESE INSTRUCTIONS BEFORE YOU START INSTALLING THIS RANGEHOOD

WARNING: - TO REDUCE THE RISK OF A RANGE TOP GREASE FIRE: Never leave surface units unattended at high settings. Boilovers cause smoking and greasy spillovers that may ignite. Heat oils slowly on low or medium setting. Always turn hood ON when cooking at high heat or when cooking flaming foods. Clean ventilating fans frequently. Grease should not be allowed to accumulate on fan or filter. Use proper pan size. Always use cookware appropriate for the size of the surface element.

WARNING: - TO REDUCE THE RISK OF INJURY TO PERSONS IN THE EVENT OF A RANGE TOP GREASE FIRE, OBSERVE THE FOLLOWING: SMOTHER FLAMES with a close-fitting lid, cookie sheet, or metal tray, then turn off the burner. **BE CAREFUL TO PREVENT BURNS.** If the flames do not go out immediately **EVACUATE AND CALL THE FIRE DEPARTMENT. NEVER PICK UP A FLAMING PAN** - You may be burned. **DO NOT USE WATER**, including wet dishcloths or towels - a violent steam explosion will result. Use an extinguisher **ONLY** if: 1. You know you have a Class ABC extinguisher, and you already know how to operate it. 2. The fire is small and contained in the area where it started. 3. The fire department is being called. 4. You can fight the fire with your back to an exit.

ALL WALL AND FLOOR OPENINGS WHERE THE RANGEHOOD IS INSTALLED MUST BE SEALED.

This rangehood requires at least 24" of clearance between the bottom of the rangehood and the cooking surface or countertop. This minimum clearance may be higher depending on local building code. For example, for gas ranges, a minimum of 30" may be required. The maximum depth of overhead cabinets is 13". Overhead cabinets on both sides of this unit must be a minimum of 18" above the cooking surface or countertop. Consult the cooktop or range installation instructions given by the manufacturer before making any cutouts. **MOBILE HOME INSTALLATION.** The installation of this rangehood must conform to the Manufactured Home Construction and Safety Standards, Title 24 CFR, Part 3280 (formerly Federal Standard for Mobile Home Construction and Safety, Title 24, HUD, Part 280). Four wire power supply must be used and the appliance wiring must be revised. See Electrical Requirements.

VENTING REQUIREMENTS

Determine which venting method is best for your application. Ductwork can extend either through the wall or the roof. The length of the ductwork and the number of elbows should be kept to a minimum to provide efficient performance. The size of the ductwork should be uniform. Do not install two elbows together. Use duct tape to seal all joints in the ductwork system. Use caulking to seal exterior wall or floor opening around the cap.

Flexible ductwork is not recommended. Flexible ductwork creates back pressure and air turbulence that greatly reduces performance.

Make sure there is proper clearance within the wall or floor for exhaust duct before making cutouts. Do not cut a joist or stud unless absolutely necessary. If a joist or stud must be cut, then a supporting frame must be constructed

WARNING - To Reduce The Risk Of Fire, Use Only Metal Ductwork.

WARNING

- Venting system **MUST** terminate outside the home.
- **DO NOT** terminate the ductwork in an attic or other enclosed space.
- **DO NOT** use 4" laundry-type wall caps.
- Flexible-type ductwork is not recommended.
- **DO NOT** obstruct the flow of combustion and ventilation air.
- Failure to follow venting requirements may result in a fire.

ELECTRICAL REQUIREMENTS

A 120 volt, 60 Hz AC-only electrical supply is required on a separate 15 amp fused circuit. A time-delay fuse or circuit breaker is recommended. The fuse must be sized per local codes in accordance with the electrical rating of this unit as specified on the serial/rating plate located inside the unit near the field wiring compartment. **THIS UNIT MUST BE CONNECTED WITH COPPER WIRE ONLY.** Wire sizes must conform to the requirements of the National Electrical Code, ANSI/NFPA 70 - latest edition, and all local codes and ordinances. Wire size and connections must conform with the rating of the appliance. Copies of the standard listed above may be obtained from:

National Fire Protection Association
Batterymarch Park
Quincy, Massachusetts 02269

This appliance should be connected directly to the fused disconnect (or circuit breaker) through flexible, armored or nonmetallic sheathed copper cable. Allow some slack in the cable so the appliance can be moved if servicing is ever necessary. A UL Listed, 1/2" conduit connector must be provided at each end of the power supply cable (at the appliance and at the junction box).

When making the electrical connection, cut a 1 1/4" hole in the wall. A hole cut through wood must be sanded until smooth. A hole through metal must have a grommet.

WARNING - TO REDUCE THE RISK OF FIRE OR ELECTRIC SHOCK, do not use this fan with any solid-state speed control device.

WARNING - TO REDUCE THE RISK OF FIRE, ELECTRICAL SHOCK, OR INJURY TO PERSONS, OBSERVE THE FOLLOWING: Use this unit only in the manner intended by the manufacturer. If you have any questions, contact the manufacturer.

Before servicing or cleaning unit, switch power off at service panel and lock the service disconnecting means to prevent power from being switched on accidentally. When the service disconnecting means cannot be locked, securely fasten a prominent warning device, such as a tag, to the service panel.

CAUTION: For General Ventilating Use Only. Do Not Use To Exhaust Hazardous or Explosive Materials and Vapors.

WARNING - TO REDUCE THE RISK OF FIRE, ELECTRICAL SHOCK, OR INJURY TO PERSONS, OBSERVE THE FOLLOWING: Installation Work And Electrical Wiring Must Be Done By Qualified Person(s) In Accordance With All Applicable Codes And Standards, Including Fire-Rated Construction.

.....
Sufficient air is needed for proper combustion and exhausting of gases through the flue (chimney) of fuel burning equipment to prevent backdrafting. Follow the heating equipment manufacturer's guideline and safety standards such as those published by the National Fire Protection Association (NFPA), and the American Society for Heating, Refrigeration and Air Conditioning Engineers (ASHRAE), and the local code authorities.

When cutting or drilling into wall or ceiling, do not damage electrical wiring and other hidden utilities.

Ducted fans must always be vented to the outdoors.

W A R N I N G

- Electrical ground is required on this rangehood.
- If cold water pipe is interrupted by plastic, nonmetallic gaskets or other materials, DO NOT use for grounding.
- DO NOT ground to a gas pipe.
- DO NOT have a fuse in the neutral or grounding circuit. A fuse in the neutral or grounding circuit could result in electrical shock.
- Check with a qualified electrician if you are in doubt as to whether the rangehood is properly grounded.
- Failure to follow electrical requirements may result in a fire.

INSTALLATION

This canopy hood is designed to be fixed to any rigid vertical surface, over a gas or electric hotplate and can be used either in the extraction mode (ducted to the outside) or in the recirculation mode (internal recycling).

Warning

PERSONAL INJURY HAZARD

Because of the weight and size of the rangehood canopy, two or more people are needed to move and safely install the rangehood canopy. Failure to properly lift rangehood could result in damage to the product or personal injury.

Components

The hood comprises the following (**fig.1**):

- No.1 canopy **C** complete with controls, lighting and ventilator unit
- No.1 telescopic chimney, comprising:
 - No.1 upper chimney element **S**
 - No.1 lower chimney element **I**
- No.2 directional grills **G**
- No.1 recirculation spigot **R**
- No.2 additional side recirculation spigots **P1**
- No.1 bag containing:
 - No.2 brackets **2** to fix the chimney, screws, rawl plugs and documents.
- No.1 splashback **B** (optional)

Installation instructions

For easy installation, proceed as follows:

- Fitting the wall brackets and Splashback
- Fixing the canopy
- Electrical connection and working test
- Ducting or Recirculation fitting
- Fitting the telescopic chimney

Fitting the wall brackets and Splashback

Please refer to (**fig.2a-b**):

- *Draw* a vertical line on the wall, from the centre of the cooking appliance up to the ceiling, using a marking pen. This is to ensure the correct vertical alignment of the various parts.
- **Fixing the wall brackets item 2:**
 - a) *Place* one of the brackets **2** against the wall approximately 1 or 2 mm from the ceiling or from the top limit, aligning its centre (slot) with the vertical line.
 - b) *Mark* the centres of two keyholes in the bracket on the wall.
 - c) *Rest* the other bracket **2** against the wall, aligning it with the vertical line, at a distance **X** measured as shown in **fig.2** equal to the height of the upper chimney element **S** supplied with the hood. The position **X** may vary, according to the various sizes of upper chimney element available.
 - d) *Mark* the centres of the keyholes in the bracket on the wall.

.....

- **Drilling fixing holes item 1:**

- a) *Mark* a point on the vertical line at a distance from the cooking appliances of:
 $d = 1000$ min (distance without splashback).
 $d = \text{height of splashback} + 350$ mm (distance with splashback). The distance **H** is the minimum height in mm from the cooking appliances to the bottom edge of the front panel of the hood.
- b) At the point marked, draw a horizontal line parallel to the cooking appliances.
- c) *Drill* two holes in the wall **1** using an 8 mm drill bit (**fig.2a**), and insert the rawl plugs and screws into the holes **1** (4.2 x 44.4 screws). Fix the screws, leaving a space of 5-6 mm required to hook up the canopy. Small adjustments can be made using the hood adjustment screws (see Fitting the canopy). The hood should have a maximum excursion of 20 mm.

- **Splashback (optional)**

When a splashback is to be fitted, the distance between the hood and the cooking appliances will be determined by the height of the splashback **B** and whether or not there is a raised back on the worktop. The splashback is to be installed before installing the canopy. If the splashback is to be fixed to the wall using both the top and bottom fixing holes, care must be taken to ensure that the splashback is fitted at the correct height before fixing the base units or at least the worktop covering them. As this is a complex operation, it should only be undertaken by the technician installing the kitchen units or by a competent person who knows the final dimensions of the units. If the splashback is to be fixed through the top fixing holes only, proceed as follows:

- a) *Rest* the splashback on the worktop and against the wall, as illustrated in **fig.2** .
- b) *Mark* the centres of the two holes in the top surface.
- c) *Drill* the wall using an 8 mm drill bit, and fix the splashback using the rawl plugs and screws provided.
- d) If necessary, the installer should secure the splashback to the wall by tucking the bottom edge down behind the rear of the worktop.

Fixing the canopy

Before starting to fix the canopy it will be necessary to adjust the support brackets **S1** by turning the adjustment screws in a clockwise direction until their reach their limit (**Fig.3**):

- a) Hook the canopy onto the two size 4.2 x 44.4 screws **1** fitted as described above (**Fig.4**).
- b) Level the hood by turning the adjustment screws and then locking them.

Ducting or Recirculation fitting

- **Ducting fitting**

- The hood can be ducted to the outside using either rigid or flexible ducting Ø 150 mm, the choice of which is left to the installer (**fig.5**).
- If the hood is supplied with the activated charcoal filters fitted, the filters should be removed (see paragraph on Maintenance).

.....

- **Recirculation fitting**

- The filtered air is returned to the room through the two plastic side grilles G on the upper chimney element **S** .
- Connect the pipe **T** to the round fan outlet, pushing it downwards, and fit spigot **R** in a similar manner (make sure that the two additional side recirculation spigots **P1** are fitted to spigot **R**). Make sure that the height of the assembly **R + T** corresponds to the height of the chimney outlet.(**fig.6**).
- Fit the activated charcoal filters inside the canopy (see paragraph on *Maintenance*). Do not fit the venting grilles until after the chimney has been installed.

Fitting the telescopic chimney

- To fit the upper section **S** first expand the two side pieces slightly, hook them behind the brackets **2** and close them together again until they touch. Fix the upper section **S** to the brackets **2** using four of the screws provided in the bag of accessories (**fig.7**).
- Fit the lower section **I** as above, between the upper section **S** and the canopy **C**.
- Chimney with venting grilles: Snap the venting grilles into position in the apertures located on the chimney section, so that the symbol ▲ is turned upwards and the symbol ► faces forwards. Also, when the hood is used in recirculation mode, ensure that the grilles are properly secured to the inside of the recirculation spigot **R** (**fig.8**).

OPERATION

Instruction for Use

Control Panel (fig. 9)

The layout of the control panel is as follows:

Button **T1** = Turns the lighting system on and off

Button **T2** = Turns the motor on and off

Button **T3** = Decreases the working speed

Button **T4** = Increases the working speed

Button **T5** = Intensive speed with timed stoppage. Suitable to deal with maximum vapour emission, this turns off automatically ten minutes after starting operation. It can be disabled by pressing the button **T5**. Press **T5** for approximately 3 seconds to enable the **Power** function (maximum suction power), which is indicated by flashing of the LED over the button. This function will be revert to intensive speed after 5 minutes or when **T5** is pressed again.

MAINTENANCE

Constant maintenance guarantees proper operation and longterm reliability. Particular attention should be paid to the metal grease filters and, for recirculation hoods only, to the activated charcoal filters. The appliance is equipped with a system that indicates automatically when it is time to carry out maintenance operations.

Metal grease filters

• Cleaning

These filters must be washed when LED **Filters** starts, or at the most once every 2 months, using a normal household detergent; their compact size also enables them to be washed in a dishwasher.

• Removing the filters

Remove one filter at a time, pulling and turning the handle in an anticlockwise direction – see **fig.10**. Replace by repeating the same operations in reverse order, making sure that the handle is turned to face the outside.

• Enabling the alarm signal

The hood is already set up to trigger an alarm indicating saturation of the metal grease filters, so this function does not need to be enabled.

• Resetting the alarm signal

To turn the alarm signal off, proceed as follows:

- Turn off the lights and the suction motor;
- Press the **T4** button for at least 3 seconds, until the LEDs flash in confirmation. In any case the saturated filters alarm will only come into operation when the suction motor is turned on. **WARNING: always comply with the maintenance and replacement times indicated, in order to avoid a possible risk of fire when the filters are saturated with grease.**

.....

Active carbon filter

• Operation

The activated charcoal filter is only fitted in recirculation type hoods. It will retain odours until it becomes saturated. It cannot be washed or regenerated, and must be replaced when the **Filters** LED starts, or at least once every 4 months of use. Attention: in recirculation type hoods the **T2** Motor LED may start to flash as well as the Speed + **T4** LED. This indicates that as well as replacing the activated charcoal filter, it is also necessary to perform maintenance operations on the metal grease filters.

• Replacing

Remove the grease filters (**fig.10**) and take out the activated charcoal filter from its housing, turning the lugs provided (**fig. 11**). Insert the new activated charcoal filter and replace the metal grease filters.

• Enabling the alarm signal

In recirculation type hoods the saturated filters alarm must be enabled as indicated below:

- Turn off the lights and the suction motor;
- Press and hold the **T4** button for at least 10 seconds, until the LEDs start to flash. Note the number of flashes:
 - 2 flashes of the LED Activated charcoal filter saturation alarm **ENABLED**.
 - 1 flash of the LED Activated charcoal filter saturation alarm **DISABLED**;

• Resetting the alarm signal

To turn the alarm signal off, proceed as follows:

- Press the **T4** button for at least 3 seconds, until the LEDs flash in confirmation. In any case the saturated filters alarm will only come into operation when the suction motor is turned on. **WARNING: always comply with the maintenance and replacement times indicated, in order to avoid a possible risk of fire when the filters are saturated with grease.**

Lighting

- Before attempting to replace the lamps, make sure that the light switch is turned off.
- It consists of 2 20 W-halogen spotlights (**60** cm model) and 3 20 W-halogen spotlights (**90** cm model).
- Replacement (**fig.12**)

Remove the two screws that lock the metal ring, take the spotlight out of its holder by pulling slightly. When replacing, make sure that both pins are well inserted in the holder seat.

Cleaning

When cleaning the hood:

- Never use a wet cloth or sponge, or running water.
- Never use thinners or products containing alcohol, as they might damage the paintwork.
- Never use abrasive cleaning materials, in particular when cleaning stainless steel surfaces.

It is recommended to use a damp cloth and mild liquid household cleaner.

.....

LISEZ BIEN CETTE FICHE AVANT D'INSTALLER LA HOTTE

AVERTISSEMENT - POUR MINIMISER LE RISQUE D'UN FEU DE GRAISSE SUR LA TABLE DE CUISSON : Ne jamais laisser un élément de la table de cuisson fonctionner sans surveillance à la puissance de chauffage maximale; un renversement/débordement de matière grasseuse pourrait provoquer une inflammation et le génération de fumée. Utiliser toujours une puissance de chauffage moyenne ou basse pour le chauffage d'huile. Veiller à toujours faire fonctionner le ventilateur de la hotte lors d'une cuisson avec une puissance de chauffage élevée ou lors de la cuisson d'un mets à flamber. Nettoyer fréquemment les ventilateurs d'extraction. Veiller à ne pas laisser de la graisse s'accumuler sur les surfaces du ventilateur ou des filtres. Utiliser toujours un ustensile de taille appropriée. Utiliser toujours un ustensile de taille adapté à la taille de l'élément chauffant.

AVERTISSEMENT: - POUR PRÉVENIR LES BLESSURES EN CAS DE FEU SUIVRE LES RECOMMANDATIONS SUIVANTES: ÉTOUFFEZ LE FEU avec un couvercle métallique et fermez le brûleur. Si le feu ne s'éteint pas tout de suite, **QUITTEZ LES LIEUX ET APPELEZ LES POMPIERS. NE TOUCHEZ JAMAIS UNE CASSEROLE EN FLAMMES. N'UTILISEZ JAMAIS DE L'EAU** ou un torchon mouillé pour éteindre le feu - ce qui pourrait causer une explosion de vapeur. N'utilisez un extincteur que si: 1. Vous avez un modèle ABC et vous connaissez bien son mode d'emploi. 2. Le feu est petit et peu répandu. 3. Les pompiers sont déjà prévenus. 4. Vous avez une sortie derrière vous.

TOUTE OUVERTURE DANS LE MUR OU LE PLANCHER À PROXIMITÉ DE LA HOTTE DOIT ÊTRE SCELLÉ

Gardez 24 po. de hauteur entre le bas de la hotte et la surface de cuisson. Cette hauteur minimum peut être plus haute suivant le code municipal. Par exemple, les cuisinières à gaz peuvent requérir 30 po. de hauteur. Les armoires au-dessus ne dépasseront pas 13 po. de profondeur. Les armoires au-dessus de chaque côté devront être au moins à 18 po. au-dessus de la surface de cuisson. Consultez la fiche technique avant de découper les armoires. L'installation de cette hotte doit être conforme aux Règlements de Manufactured Home Construction and Safety Standards, titre 24 CFR, Section 3280 (anciennement Federal Standard for Mobile Home Construction and Safety Standards, titre 24 CFR, Section 3280 (anciennement Federal Standard for Mobile Home Construction and Safety, titre 24, HUD, Section 280). Le branchement électrique se fait avec un raccordement à 4 fils. Consultez la fiche technique électrique.

RÈGLEMENTS D'ÉVACUATION

Confirmer la sortie d'évacuation - soit par le mur, soit par le toit. Utilisez une longueur de tuyauterie minimale avec les moindres de coudes pour la plus grande efficacité. Le diamètre de tuyauterie doit être uniforme. N'installez jamais 2 coudes ensemble. Scellez bien tous les joints avec un ruban adhésif métallique à l'intérieur et scellez bien le clapet extérieur avec du calfeutrage.

Utilisez un tuyau d'évacuation rigide lorsque possible. Un tuyau flexible égale deux fois plus qu'un tuyau rigide, ce qui réduit la puissance d'évacuation.

Veillez à ce que l'espace pour le tuyau soit ample - ainsi on n'aurait pas besoin de découper les supports de mur intérieur. Si ce découpage est nécessaire, veillez bien à ce qu'un renforcement soit mis en place.

AVERTISSEMENT - Pour Ne Pas Risquer Un Feu, Utilisez Seulement Les Matériaux Métalliques.

WARNING

- Le système d'évacuation DOIT sortir à l'extérieur.
- N'ÉVACUEZ PAS le conduit soit dans une mansarde soit dans un espace enfermé.
- N'UTILISEZ PAS un clapet de séchoir à 4 pouces.
- N'utilisez pas un conduit flexible.
- N'ENCOMBREZ PAS la circulation d'air.
- Faute de suivre cet avertissement pourrait occasionner un feu.

FICHE TECHNIQUE ÉLECTRIQUE

Le raccordement électrique doit se faire avec un circuit séparé de 15 ampères fusible à 120V, 60 Hz, courant alternatif. On recommande un coupe-circuit. La taille du fusible doit se conformer aux codes municipaux suivant la spécification électrique sur la plaque intérieure. Le diamètre du fil devra aussi se conformer aux règlements du code national électrique, ANSI/NFPA 70 - ainsi qu'aux règlements locaux et les spécifications de cet appareil. On peut obtenir ces informations chez:

l'Association Nationale de la Prévention du Feu
Batterymarch Park
Quincy, Massachusetts 02269

Raccordez cet appareil directement au coupe-circuit avec un fil flexible couvert en cuivre en laissant un peu de lâchement dans le fil pour permettre le déplacement de l'appareil. Veillez à ce qu'un contact d'un demi-pouce (1/2 po.) soit installé à chaque bout de fil (soit à l'appareil ainsi qu'à la boîte à fusible).

Faites un trou de 1 1/4 po. dans le mur. S'il s'agit d'un trou en bois - sablez-le bien, tandis qu'un trou passant par le métal demande un bouche-trou.

AVERTISSEMENT - POUR RÉDUIRE LE RISQUE D'INCENDIE OU DE CHOC ELECTRIQUE, ne pas utiliser ce ventilateur en conjonction avec un dispositif de réglage de vitesse à semi-conducteurs.

AVERTISSEMENT – POUR MINIMISER LES RISQUES D'INCENDIE, CHOC ÉLECTRIQUE OU DOMMAGES CORPORELS, OBSERVER LES PRESCRIPTIONS SUIVANTES: Suivez les recommandations du fabricant et entre en communication avec lui pour toute information.

Fermez le courant avant tout entretien et veillez à ce qu'il reste fermé. Si on ne peut pas verrouiller le panneaux du service électrique, affichez un avis de danger sur la porte.

AVIS: Pour L'évacuation Générale - Veillez à Ne Pas Evacuer Des Matériaux Ou Vapeurs Explosif.

AVERTISSEMENT – POUR MINIMISER LES RISQUES D'INCENDIE, CHOC ÉLECTRIQUE OU DOMMAGES CORPORELS, OBSERVER LES PRESCRIPTIONS SUIVANTES: L'installation Et Le Raccordement Electrique Doivent Se Faire Par Un Technicien Qualifié Selon Tous Les Codes Municipaux.

Afin d'obtenir un rendement maximal en ce qui a trait à la combustion ainsi qu'à l'évacuation des gaz par la conduite de cheminée, une bonne aération est nécessaire pour tous les appareils à combustion. Suivez les conseils et mesures de sécurité du fournisseur tels que ceux publiés par l'Association Nationale de la Sauvegarde contre l'Incendie et l'Association Américaine d'Ingénieurs de Chauffage, Frigorifaction et Air Climatisé ainsi que les codes municipaux.

.....
En perçant un mur veillez à ne pas perforer un autre fil électrique.

Une hotte à évacuation extérieure doit être raccordée à l'extérieur.

AVERTISSEMENT

- Une prise à terre est nécessaire pour cette hotte.
- N'utilisez pas un tuyau à l'eau froide pour la mise à terre s'il est branché à un joint plastique, non-métallique ou autre.
- **NE JOIGNEZ PAS** la mise à terre à conduit de gaz.
- **N'INSTALLEZ PAS** un fusible dans le circuit de mise à terre - ce qui peut causer une secousse électrique.
- Vérifiez avec un électricien certifié à ce que la hotte soit bien mise à terre.
- Faute de suivre ces recommandations pourrait occasionner un feu.

INSTALLATION

Cette hotte est destinée à être installée au mur, au dessus d'un plan de cuisson. Elle peut être utilisée en version évacuation (raccordement extérieur) ou recyclage (recyclage interne).

AVERTISSEMENT

RISQUE DE BLESSURE

À cause du poids et de la dimension de la hotte, deux ou plusieurs personnes sont nécessaires pour déplacer et installer la hotte de façon sécuritaire. Si la hotte n'est pas soulevée de façon appropriée, il peut en résulter des dommages au produit ou des blessures.

Composants

La hotte se compose ainsi (fig.1):

- n.1 corps hotte **C** équipé de commandes, éclairage et groupe ventilateur
- n.1 cheminée télescopique comprenant:
 - n.1 cheminée supérieure **S**
 - n.1 cheminée inférieure **I**
- n.2 grilles de direction **G**
- n.1 raccord filtrant **R**
- n.2 rallonges latérales filtrantes **P1**
- n.1 sachet contenant:
 - n.2 étriers **2** pour la fixation de la cheminée, vis, chevilles et documents.
- n.1 sole **B** (option)

Instructions pour l'installation

Pour une installation aisée, respecter le schéma suivant:

- Montage des étriers de support et sole
- Montage du corps hotte
- Raccordement électrique et contrôle fonctionnel.
- Connexion aspirante ou filtrante
- Montage de la cheminée télescopique

Montage des étriers de support et sole

Se référer à la (fig.2a-b):

- *Tracer* sur la paroi une ligne verticale jusqu'au plafond, au centre de la zone prévue pour le montage de la hotte; cette ligne sert pour aligner verticalement les différentes parties.

Positionnement des étriers 2:

- a) *Poser* l'un des étriers **2** contre la paroi, à environ 1 ou 2 mm du plafond ou de la limite supérieure, en alignant son centre (rainures) avec la ligne verticale.
- b) *Marquer* sur la paroi les deux alésages de l'étrier.
- c) *Poser* l'autre étrier **2** contre le mur, en l'alignant avec la ligne verticale, à une distance **X** mesurée comme d'après la **fig.2**, égale à la hauteur de la cheminée supérieure **S** en dotation à la hotte. La cote **X** peut avoir des valeurs différentes, selon les différentes

- hauteurs disponibles de la cheminée supérieure.
- d) *Marquer* sur la paroi les centres des alésages de l'étrier.

Réalisation trous de fixation 1:

- a) *Marquer* un point sur la ligne verticale à une distance du plan de cuisson de:
d = 1000 min (mesure sans sole).
d = hauteur sole + 350 mm (mesure avec sole). La mesure **H** est la hauteur minimum en mm du plan de cuisson au bord inférieur de la partie frontale.
- b) *Tracer* sur le point marqué une ligne horizontale parallèle au plan de cuisson.
- c) *Effectuer* sur la paroi deux trous **1** avec un foret de Ø 8 mm (**fig.2a**), et insérer les chevilles et les vis de fixation dans les trous **1** (vis de 4,2 x 44,4).
- *Fixer* les vis en laissant un espace de 5-6 mm nécessaire pour l'accrochage du corps hotte. Il sera possible d'effectuer de petits ajustages au moyen des vis de réglage de la hotte (voir *Montage du corps hotte*). La hotte peut avoir une excursion maximum de 20 mm.

Sole (option)

La hauteur de la hotte par rapport au plan de cuisson est déterminée, dans ce cas, par la hauteur de la sole **B** et par l'éventuel dossier du plan des bases. La sole doit être montée avant de monter le corps hotte et, si on désire la fixer contre le mur tant en haut qu'en bas, il est nécessaire de la monter à la juste hauteur, avant de monter les bases ou au moins le plan supérieur correspondant. Etant donné qu'il s'agit d'une opération compliquée, elle doit être effectuée exclusivement par l'installateur de la cuisine ou par du personnel compétent connaissant toutes les dimensions finales des meubles. Si l'on se limite seulement à la fixation supérieure, procéder de la manière suivante:

- a) *Poser* la sole sur le plan des bases et contre la paroi comme sur la **fig.2**.
- b) *Marquer* sur le mur les centres des deux trous du bord supérieur.
- c) *Percer* le mur à l'aide d'un foret de Ø 8 mm et fixer la sole en utilisant les chevilles et les vis en dotation.
- d) L'éventuelle stabilisation de la partie inférieure, si nécessaire, doit être réalisée par l'installateur.

Montage du corps hotte

Avant d'entreprendre l'installation, il est nécessaire de régler les étriers de support **S1**, en tournant dans le sens des aiguilles d'une montre les vis de réglage jusqu'en fin de course (**Fig.3**):

- a) *Accrocher* la hotte à la hauteur des deux vis **1** de 4,2 x 44,4 précédemment installées (**Fig.4**).
- b) *Mettre* la hotte de niveau en tournant les vis de réglage et compléter le serrage des vis.

Connexion aspirante ou filtrante

Connexion aspirante

- La hotte peut être reliée à des tuyauteries extérieures au moyen d'un tube rigide ou souple de Ø 150 mm, selon le choix de l'installateur.
- *Enlever* les filtres au charbon actif (voir paragraphe *Entretien*).

Connexion filtrante

- L'air filtré est réintroduit dans le milieu au moyen des deux grilles latérales en plastique **G** présentes sur le demi-tube supérieure **S**.
- Relier le tube **I** à la sortie ronde du diffuseur, en le poussant vers le bas et appliquer de même manière le raccord **R** (vérifier que les deux rallonges filtrantes **P1** soient montées dans le raccord **R**). Vérifier que la hauteur des pièces assemblées **R** + **I** corresponde à la hauteur de la sortie de la cheminée. (fig.6).
- *Ajouter* les filtres au charbon actif à l'intérieur du corps hotte (voir paragraphe *Entretien*). Ne pas appliquer les grilles de direction; cette opération ne doit être réalisée qu'après l'installation de la cheminée.

Montage de la cheminée télescopique

- Pour monter la cheminée supérieure **S**, écarter légèrement les deux bords latéraux, les accrocher derrière les étriers **2** et les refermer jusqu'en butée. Fixer la cheminée supérieure **S** aux étriers **2** avec quatre vis incluses dans la boîte d'accessoires (fig. 7).
- *Appliquer* de même manière la cheminée inférieure **I** entre celle supérieure **S** et la hotte **C**.
- Cheminée avec grilles: appliquer les grilles de direction à cran sur la tôle dans les sièges spéciaux, de manière à ce que le symbole ▲ soit orienté vers le haut et le symbole ► vers l'avant. En outre, pour les versions filtrantes, vérifier que les grilles soient correctement insérées à l'intérieur du raccord filtrant **R** (fig.8).

UTILISATION

Instruction pour l'Utilisation

Tableau des commandes (fig. 9)

Le schéma des commandes est le suivant :

Touche **T1** = Allume et éteint le circuit d'éclairage

Touche **T2** = Allume et éteint le moteur

Touche **T3** = Diminue la vitesse de service

Touche **T4** = Augmente la vitesse de service

Touche **T5** = Vitesse intensive avec extinction programmée. Appropriée pour faire face aux émissions maximum de vapeurs de cuisson, s'éteint automatiquement après dix minutes de son entrée en fonction. Elle peut être débranchée en appuyant sur la touche **T5**. En appuyant sur la touche **T5** pendant 3 secondes environ, on active la fonction **Power** (puissance d'aspiration maximum), qui est signalée par le clignotement de la del qui se trouve sur la touche. Cette fonction est désactivée après 5 minutes, en retournant à la vitesse intensive ou bien en appuyant sur la touche **T5**.

ENTRETIEN

Un entretien constant garantit un bon fonctionnement et un bon rendement dans le temps. Il est nécessaire de prêter une attention toute particulière aux filtres métalliques anti-graisse et, pour les hottes filtrantes, au filtre au charbon actif. L'appareil est équipé d'un système qui signale automatiquement lorsqu'il faut effectuer l'intervention d'entretien.

Filtres à graisses métalliques

• Nettoyage

Ces filtres doivent être lavés lorsque la led **Filters** s'allume ou au maximum tous les 2 mois avec un produit détergent domestique normal; leur dimension compacte permet également de les laver en lave-vaisselle.

• Démontage des filtres

Retirer un filtre à la fois; tirer puis faire tourner la poignée dans le sens contraire à celui des aiguilles d'une montre, voir **fig.10**. Remonter en effectuant les opérations à rebours, en veillant à ce que la poignée soit maintenue vers la partie visible.

• Activation du signal d'alarme

La hotte est déjà prédisposée pour la signalisation d'alarme saturation des filtres métalliques anti-graisse; cette fonction ne nécessite donc pas d'activation.

• Raz du signal d'alarme

Pour éteindre le signal d'alarme, procéder comme suit:

- Eteindre les lumières et le moteur d'aspiration;
- Appuyer sur la touche **T4** pendant 3 secondes au moins, jusqu'au clignotement de confirmation des leds. Dans tous les cas, la signalisation d'alarme saturation des filtres ne se vérifie que lorsque le moteur d'aspiration est actionné.

ATTENTION: il est nécessaire de respecter les temps indiqués d'entretien ou de remplacement pour éviter un risque possible d'incendie si les filtres se saturent de graisses.

Filtre au charbon actif

• Fonctionnement

Le filtre au charbon actif n'est monté que dans les hottes installées en version filtrante; il est en mesure de retenir les odeurs jusqu'à saturation. Il n'est pas lavable et ne peut être régénéré; il doit être remplacé lorsque la led **Filters** clignote ou au moins tous les 4 mois d'utilisation. Attention, dans les hottes installées en version filtrante il se peut que, outre la led Vitesse + **T4**, celle de Moteur **T2** clignote également. Ceci indique qu'en plus du remplacement du filtre au charbon actif, il faut effectuer l'entretien des filtres métalliques anti-graisse.

• Remplacement

Enlever les filtres anti-graisse (**fig.10**) et retirer le filtre au charbon actif de son siège en agissant sur les crochets correspondants (**fig. 11**). Remonter le filtre neuf au charbon actif et les filtres métalliques anti-graisse.

• Activation du signal d'alarme

Dans les hottes en version filtrante, la signalisation d'alarme saturation filtre s'active comme suit:

- Eteindre les lumières et le moteur d'aspiration;
- Maintenir appuyée la touche **T4** pendant 10 secondes au moins jusqu'au clignotement

des leds. En particulier:

- 2 clignotements des leds Alarme saturation filtre au charbon actif **ACTIVE**.
- 1 clignotement des leds Alarme saturation filtre au charbon actif **DESACTIVE**;

- **Raz du signal d'alarme**

Pour éteindre le signal d'alarme, procéder comme suit:

- Appuyer sur la touche **T4** pendant 3 secondes au moins, jusqu'au clignotement de confirmation des leds. Dans tous les cas, la signalisation d'alarme saturation filtres ne se vérifie que lorsque le moteur d'aspiration est actionné.

ATTENTION: il est nécessaire de respecter les temps indiqués pour l'entretien ou le remplacement, pour éviter des risques possibles d'incendie si les filtres se saturent de graisses.

Eclairage

- Avant d'essayer de remplacer les ampoules, s'assurer que l'interrupteur soit hors circuit.
- Il est constitué de 2 spots halogènes à 20 W (Modèle de **60**) et de 3 spots halogènes à 20 W (Modèle de **90**).
- Remplacement (**fig. 12**)

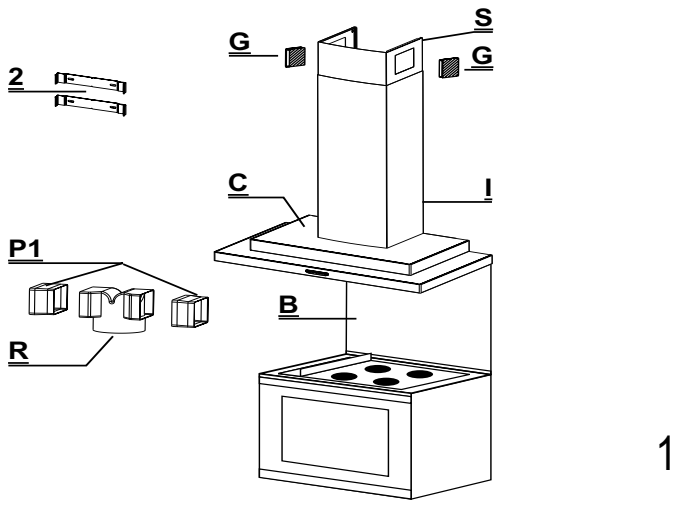
Enlever les deux vis qui fixent la douille métallique, extraire le spot de la douille en tirant légèrement. Pour le remonter, il faut faire attention que les deux fiches soient correctement introduites dans la douille porte-ampoule.

Nettoyage

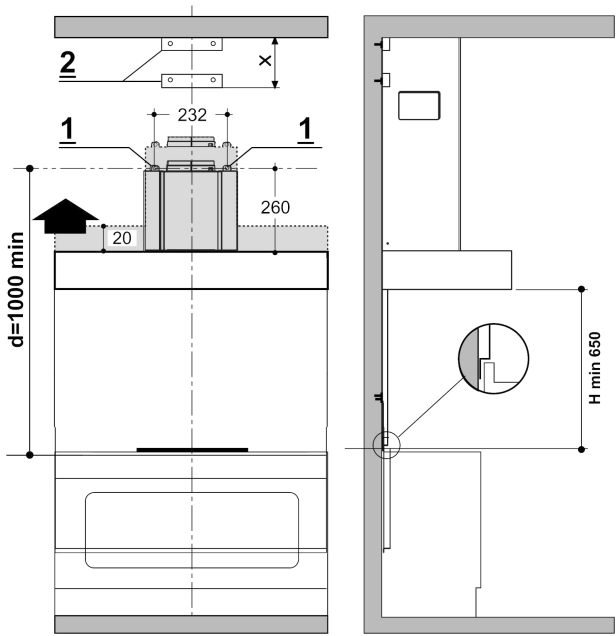
Pour le nettoyage normal de la hotte:

- N'utiliser ni chiffons ni éponges mouillés ni jets d'eau;
- Ne pas utiliser de diluants ou d'alcools car ceux-ci pourraient rendre mates les surfaces vernies;
- Ne pas utiliser de substances abrasives surtout sur les surfaces en acier inox.

On conseille d'utiliser un chiffon humide et un détergent liquide neutre.



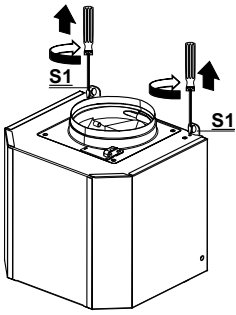
1



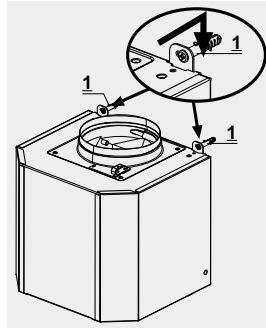
a

b

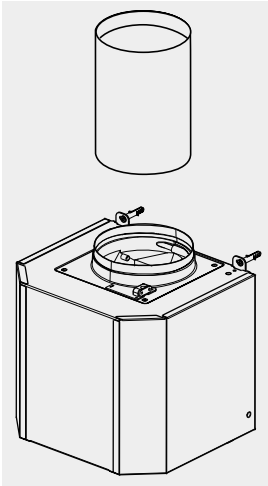
2



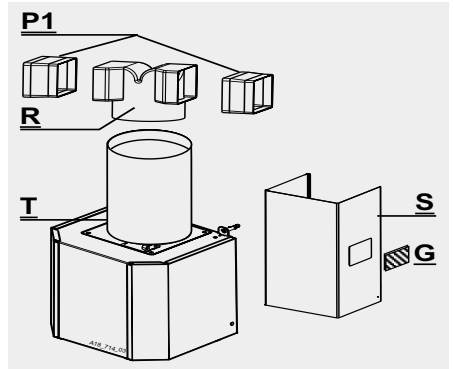
3



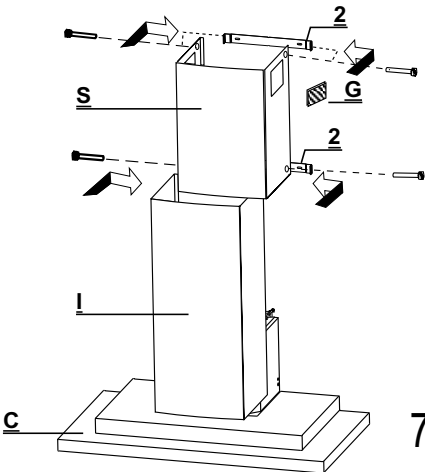
4



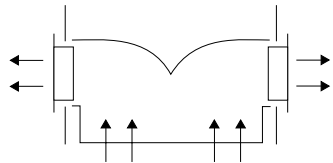
5



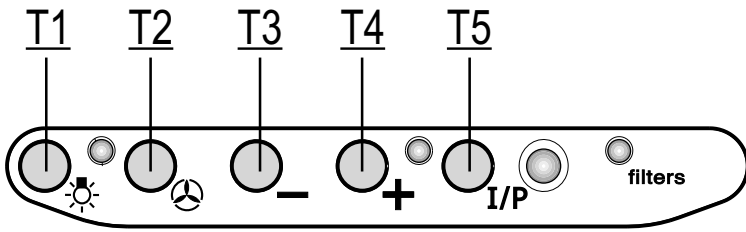
6



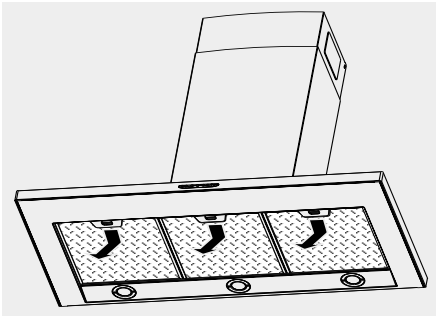
7



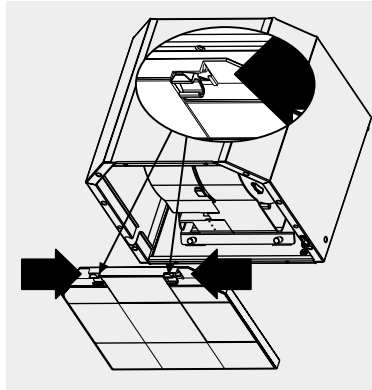
8



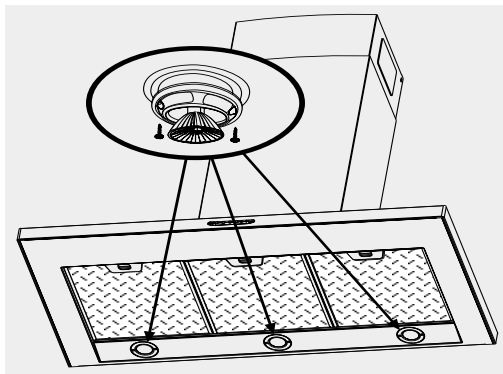
9



10



11



12



KÜPPERSBUSCH Hausgeräte AG
Küppersbuschstraße, 16
D - 45883 Gelsenkirchen

Hausanschrift:
Küppersbuschstr. 16
45883 Gelsenkirchen
Telefon: (02 09) 4 01-0
Telefax: 20 931 810
Telefax: (02 09) 4 01-3 03

Küppersbusch

ALLE RECHTE KÖNNEN VERRESERVED

Free Manuals Download Website

<http://myh66.com>

<http://usermanuals.us>

<http://www.somanuals.com>

<http://www.4manuals.cc>

<http://www.manual-lib.com>

<http://www.404manual.com>

<http://www.luxmanual.com>

<http://aubethermostatmanual.com>

Golf course search by state

<http://golfingnear.com>

Email search by domain

<http://emailbydomain.com>

Auto manuals search

<http://auto.somanuals.com>

TV manuals search

<http://tv.somanuals.com>