

- print
- copy
- scan
- fax
- email

KM-4800w RANGE

Kyocera Mita's wide format range offers you the reliability, performance and versatility you've come to expect plus the most advanced image quality on the market with our innovative multi-bit technology.

High-quality wide format imaging has become an essential tool in industries such as construction, engineering, manufacturing, government, utilities and reprographic services.

Kyocera Mita is meeting this growing demand with a comprehensive range of compact and highly versatile A0 copiers, plotters and multifunctional imaging systems delivering the highest level of image quality and productivity on the market.

With five different and customisable products, one of them is sure to represent the ideal solution for all your needs, and all are supported by our unique one-year warranty which means the only cost to you is toner for the first year or 9,000 linear metres.



- 4.8m/min or 3.0m/min (KM-4850w range/KM-4845w range)
- Produces clear, crisp 600dpi plot/copy output
- High speed 800MHz processor
- Handles a wide range of original sizes from 210 x 279mm to 920 x 6,000mm
- Two paper rolls and bypass as standard
- Increase to four input sources with the optional third roll unit
- Copy onto a variety of materials including tracing paper and film (64-80gsm)
- Easy to use operation panel
- Onboard controller enables simultaneous plot and copy output
- Unique all-inclusive one year warranty
- Free servicing for one year or 9,000 linear metres



Need to know more? Visit: www.kyoceramita.co.uk

Download from www.Somanuals.com. All Manuals Search And Download.

A secure investment

The best guarantee of a return on investment is a system that meets your need today and can continue to change with your business.

With Kyocera Mita's advancements in print and copy technology you are ensured reliability and performance for the lifetime of the product.

KM-4800w RANGE

High-quality wide format imaging

A complete range of high-quality wide format solutions

High-quality wide format imaging has become an essential tool in industries such as construction, engineering, manufacturing, government, utilities and reprographic services. Kyocera Mita is meeting this growing demand with a comprehensive range of wide format plotters/copiers. With five different and customisable products, one of them is sure to represent the ideal solution for all your needs.

Plotters

- **KM-P4850w**

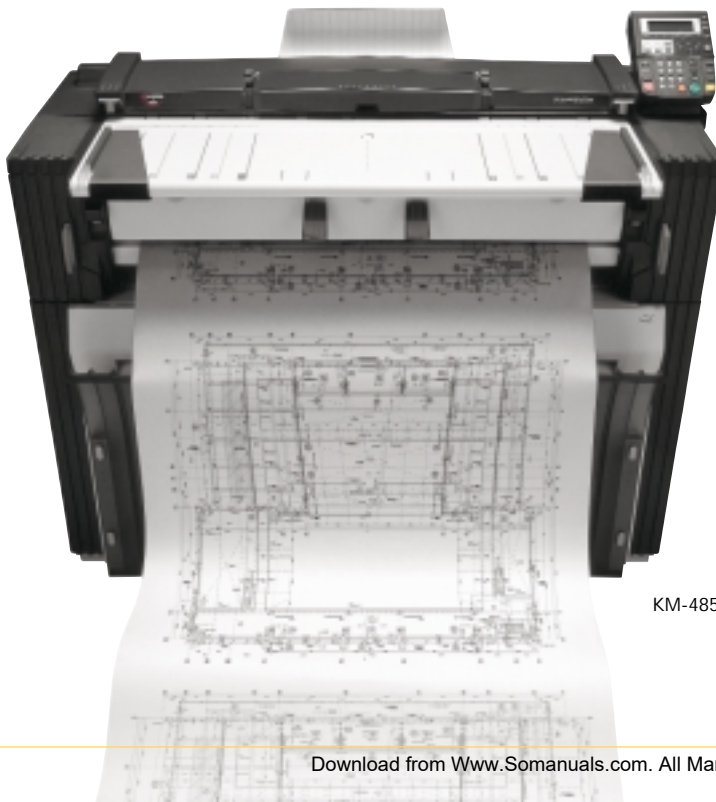
The KM-P4850w is a fast and productive solution that plots at 4.8m or 7 A1 sheets per minute. It will meet your needs perfectly if you require a fast plotter without additional copy and scan functions.

- **KM-P4845w**

The KM-P4845w is a highly affordable plotter that plots at 3.0m or 4 A1 sheets per minute – ideal if you require a reliable and easy-to-use plotter.



KM-P4850W/4845W



KM-4850W

Copier

- **KM-4850w**

The KM-4850w is a wide format copier that copies at 4.8m per minute. It provides a compact, versatile wide format solution with optional plot/scan functionality all in one machine.



Multifunction

- **KM-4850w with Scan/Plot System**

The KM-4850w offers complete wide format multifunctionality when you add the optional Scan/Plot System (E). Fast and productive at 4.8m per minute, this easy to operate complete plot/copy/scan system offers excellent performance and the smallest footprint of any product in its class.



KM-4850W with plot/scan system



KM-PS4850W/4845W

- **KM-PS4850w**

The optimum multifunctional wide format solution. The KM-PS4850w is highly productive and plots, copies and scans at 4.8m per minute. An optional online folder meets all your finishing requirements too.

- **KM-PS4845w**

The KM-PS4845w offers all the functionality of the KM-P4850w with plot/copy speeds of 3.0m per minute and scans at 4.8m per minute. It also has the option of an online folder for professionally finished output.

	COPY		PLOT		SCAN	OPTIONS		
	4.8m/min	3.0m/min	4.8m/min	3.0m/min	4.8m/min	3rd Paper Roll	Plot/Scan System	Folding Unit
KM-4850w	✓		Opt		Opt	✓	✓	✓
KM-P4850w			✓		Opt	✓		✓
KM-P4845w				✓	Opt	✓		✓
KM-PS4850w	✓		✓		✓	✓		✓
KM-PS4845w		✓		✓	✓	✓		✓



Need more information? Visit: www.kyoceramita.co.uk

Download from Www.Somanuals.com. All Manuals Search And Download.

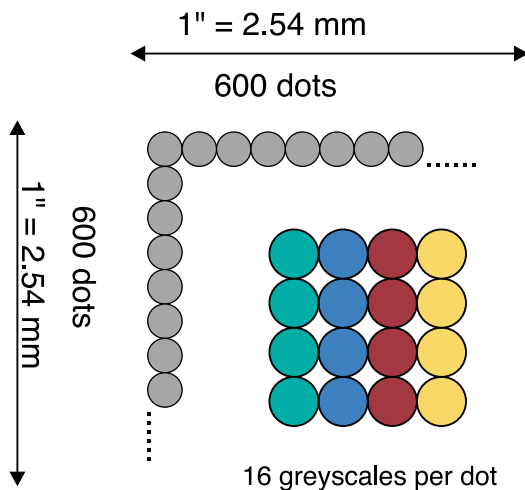
A secure investment

- Crisp quality output
- KM-4850w boasts the smallest footprint in its class
- History of Kyocera Mita brings reliability, performance and quality backed up by our unique warranty
- Unique one-year servicing and warranty

KM-4800w RANGE

High-quality wide format imaging

Highest quality in all modes



Multi-bit image quality is far superior to binary for fine lines and on curves

The KM-4800w range of wide format products deliver 600 x 600 dpi scan/print resolution with 256 greyscales. They also feature multi-bit (16 greyscales per dot) print technology, the most advanced in the industry. This gives you the highest overall image quality on the market.

• Outstanding productivity

When speed and convenience are essential our wide format range will more than fit the bill with some exceptional features making them incredibly productive:

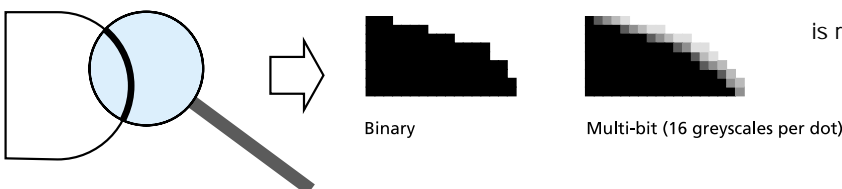
- 4.8 or 3.0m/min plots/copies/scans per minute
- Standard copy memory is a generous 128MB, enabling productive copy functions, such as scan once-print many or rotate copy
- The repeat copy function delivers up to 99 copies from a single scan
- Thanks to the large standard copy memory, you can start scanning originals during copying/plotting or warming-up
- All this plus 2 paper rolls as standard and an optional 3rd roll, all managed by automatic roll switching to provide uninterrupted long runs.



• Minimise downtime

With long-life technology built-in, the KM-4800w range benefit from reliable operation and low operating costs as well as reduced waste and minimised environmental impact. This all adds up to maximise your return on investment by minimising downtime.

Our supreme confidence in our reliability and build quality is reflected in our unique warranty and service package.





- **Ease of use**

All Kyocera Mita wide format products are designed for ease of use across all aspects of their operation. With its very clear message display the operation panel makes controlling all print and copy jobs simple.

The KM-4800w range provides unique methods to protect your important and delicate originals. For example, the careful handling of curled originals is ensured by the Auto Switch Back function. The original will be switched back to the feeding point, aligned, and scanning will start automatically. You can also protect your originals with the Skew Protection feature to ensure your original is always aligned with the guide plate. To ensure smooth running with minimum interruptions, the closed toner system incorporates a one-touch toner refill that is extremely easy to manage.



- **Systems to match and enhance the way you work**

The Kyocera Mita KM-4800w range fits the way you're currently working, with printer drivers for Windows, UNIX and Macintosh, allowing direct printing from the applications you use every day. Also, all print capable models support a wide variety of print file formats including DWG/DXF, enabling you to plot direct from AutoCAD programs. Plus an environmental design that minimises heat, noise and emissions and a stylish duo-tone design, any product from the KM-4800w range represents a visually pleasing and quiet workhorse.



Need more information? Visit: www.kyoceramita.co.uk

Download from www.Somanuals.com. All Manuals Search And Download.

A secure investment

- Options to enable you to increase functionality when you need it
- Optional folding unit for that professional finish
- With free warranty and servicing for a year it's the most effective solution on the market



- **The print control you need – right from the desktop**

Once a job is submitted, you can monitor progress, view your print jobs and see how they'll print and if necessary even remove them from the queue to amend print instructions, all from your desk. With the built-in KM-ICP controller you can monitor the machine and your print jobs to make network printing all that it should be; simple, convenient and highly efficient.

KM-4800w RANGE

High-quality wide format imaging

Enhanced Digital Copy Functions

- **Repeat Copy** - allows you to reproduce the last scanned copy job. It not only repeats the same copy, but gives you the opportunity to change copy, contrast, zoom, to perform fine adjustments like de-skewing or copy size adjustment, to add editing functions such as shifting image or adding front margin, or to select a different paper roll.
- **Repeat Copy Permission** - gives you three different levels to allow the production of repeat copies: Permit to everyone, permit only those with an ID code, or no access at all making confidential projects completely secure.
- **Contrast Preview** - allows you to find the best contrast before you copy – eliminating guesswork and reducing mis-copies. You can even specify a sample area on the original.
- **Image Preview** - allows you to check the first 279mm of your output, reducing trial-and error, paper waste and saving time and money.
- **Rotate Copy** - when the same size of paper roll is not available, KM-4800w will rotate the copy and select the right paper roll, thanks to auto rotate copy.

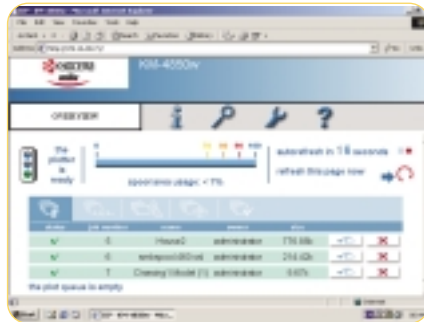




Advanced Plot Functions

KM-PLOTCLIENT

KM-PLOTCLIENT is a flexible program for preparing plot jobs. Any authorised user on the network can define the plot job settings, including pen setting and stamp editing and make drawing sets with different file formats from multiple applications. Because KM-PLOTCLIENT is application independent, you can plot files without having the application software installed or opened.



KM-WINPRINT

When KM-WINPRINT is installed, KM-4800w plotters work as Windows printers enabling print/plot from Windows applications such as PowerPoint, Excel, Project and any CAD application that supports Windows printer driver.

KM-ICP Controller

KM-ICP Controller has a built-in web server that enables you to administrate and monitor all aspects of plot jobs via a standard web browser from any PC on the network. By just entering the IP address of the KM-4800w (KM-ICP Controller), authorised users can see all the stored plot jobs and pause, delete and reprint when needed. Administrators can even upgrade the firmware of KM-ICP Controller from the browser.

Flexible Scan Functions

KM-SCANTOOL

KM-SCANTOOL provides Scan-to-PC functions. You can scan to PC, edit the image (as a raster image) and then output to the KM-4800w. Also, you can scan to file sequentially to compile a drawing set.

Key Features

- **Easy to use** – the simple operation panel is designed to help you efficiently make and manipulate copies.
- **Easy feeding of originals** – The KM-4850w incorporates a feature that allows you to select an automatic or manual start to copying, protecting delicate originals when necessary.
- **Ease of paper loading** – the simple and user friendly design of the KM-4850w makes for easy and quick paper roll changes when replenishing paper or switching to non-standard sizes.
- **Convenient and clean toner loading** – a simple process that allows for easy clean loading via a one-touch system.
- **Versatile exposure control** – automatic exposure control or up to 14 different manual exposure settings allows you to obtain top quality output from a broad range of varied quality original media.
- **Versatile adjustments** – gain optimum flexibility with features such as moving the image, margins, borders, mirror imaging, image rotation, size-for-size settings, and orientation, offset to compensate for skew, and fusing temperature adjustments for various media.
- **Versatile software utilities** – provide support for various operating systems and most of the file formats used in the wide format industry.
- **Modular design** – the design of these new models allows you to purchase only what you require when you need it and add more functionality later as your needs change, for example extra paper roll, folder option etc.
- **Scan once print many** – this feature allows you to scan in drawings once, and produce multiple sets, thereby reducing wear and tear on originals and saving a significant amount of time.



KM-4800w RANGE

KM-PS4850w/KM-PS4845w Wide Format Imaging Systems

General

Technology	LED, Dual component electro-photographic printing
Type	Plotter Console
Engine speed	Max. 4.8/3.0m per minute (KM-PS4850w/KM-PS4845w)
Resolution	600 x 600 dpi Multi-bit, 16 greyscales per dot printing, 256 greyscales 10 minutes or less
Warm-up time	10 minutes or less
Power Source	AC 220 ~ 240 V, 50/60 Hz
Dimensions (W x D x H)	Plotter (KM-P4850w/KM-P4845w) 1,330 x 704 x 1,095mm Scanner (KM-S4850w) 1,330 x 643 x 482 mm excl. Scanner stand 1,330 x 643 x 1,199 mm incl. Scanner stand
Weight	Plotter (KM-P4850w/KM-P4845w) Approx. 238 kg Scanner (KM-S4850w) Approx. 62 kg excl. scanner stand Approx. 119 kg incl. scanner stand

Paper Handling

Paper capacity	2 rolls + bypass (optional 3rd roll) Paper roll width 210-920 mm Bypass paper width 210-920 mm Fixed paper size A4R-A0
Copy/plot	Plain paper, tracing paper, paper material film
Paper cutting system	Wire drive cut

Copy Functions

First Copy Time	Less than 18 sec (A1 size)
Max. original size	920 x 6,000 mm
Min. original size	210 x 297 mm
Continuous copy	1 - 99
Copy memory	Standard 128 MB Max. 1 GB, 2 additional DIMM slots (128, 256, 512 MB) 25% - 400% in 1% or 0.1% steps
Zoom	4 Reduction, 4 Enlargement
Magnification ratio	Normal, Text & Line, Photo
Copy modes	Repeat copy (any available parametre adjustable without re-scanning), One scan many copy, Job reservation, Scan during warm-up, Preview copy (contrast preview and image review), Rotate copy, Electronic-sort, Auto size detection - Auto paper select/auto magnification select (APS/AMS)
Productive features	Incline, 1-to-1, Fixing temperature, Contrast setting (max. 21 steps), Image shift, Edge (margin) adjustment
Fine adjustment	Original protection (auto switch back, original aligning, Auto feed/Start key switching)
Special original handling	Repeat copy permission/restriction
Security features	

Plot Functions

Type	Embedded
CPU	Ratio 800 MHz PC Controller
Memory	Standard 256 MB + 10 GB hard disk (KM-PS4850w) Standard 128 MB + 10 GB hard disk (KM-PS4845w)
Print file format	HP-GL, HP-GL2, HP-RTL, TIFF, Calcomp 906/907, PCX, RLC, BMP, CALS, T6X, DWG/DXF (via ADI/HDI driver), PEG (soon available)

Network interface
Protocol
Client software

Optional: PostScript 3/PDF, TIFF 8-bit grey/Colour, CIT-TG4 (Intergraph) available from Ratio
Ethernet 10Base-T/100Base-TX

TCP/IP, Apple EtherTalk, Ipr/Ipa, HTML, SMB, SNMP
KM PLOTCLIENT

Plot several files (file set) of a job without having applications open.

Features: Scaling, Media type selection, Cut mode selection, Mirror, Invert, Rotate, Border, HP-GL pen/colour-grey settings, Calcomp pen/colour-grey settings, Stamping, Stamp editing
KM WINPRINT

Plot through Windows printer driver
Windows 95, 98, 2000, XP, Me, NT 4.0, 2000

Plot through Macintosh printer driver
Mac PPD (requires PS option)

KM PLOTCLIENT HDI/ADI

Plot directly from AutoCAD* program

Windows 95, 98, 2000, XP, Me, NT 4.0, 2000, ADI driver for AutoCAD R13/R14, HDI driver for AutoCAD 2000 series.

STATUS MONITOR

Web browser (TCP/IP)

Job status, Machine status, Paper roll status, Job storage, Restart plotting

Network Scan Functions

Functionality	Scan-to-PC
Scan speed	4.8m per minute
Scan length	Max. 6,000 mm
Scan resolution	150, 200, 300, 400, 600, 800, 1,200, 2,400 dpi 800 dpi: A1R or smaller, 1,200 dpi: A2R or smaller, 2,400 dpi: A4R or smaller
Supported OS	Windows NT 4.0, 2000
Network protocol	TCP/IP
File format	TIFF (uncompressed G3, G4), PCX, T6X, BMP, RLC, CALS 1 & 2, JPEG (soon available)
Features	Mirror, Invert, Rotate, Editing, Batch scanning

Options

Optional paper feeding	Width 210-920 mm
3rd paper roll RU-4	Keeps the paper rolls dry
Roll heater	
Optional copy memory	128, 256, 512 MB, 168 pin
DIMM	
Optional document finishing	Online paper folding machine
Paper folder	Stand for scanner with original catcher
Scanner stand	Postscript 3/PDF, TIFF 8-bit grey/Colour, CIT-TG4 (Intergraph)
Plot file format	

Items

Plotter	KM-P4850w (4.8 metre/min) KM-P4845w (3.0 metre/min)
Scanner	KM-S4850w (4.8 metre/min scanning) incl. interface cable to KM-P4850w/P4845w

KM-4850w Wide Format Copier with Multi-Function Option

General

Technology	Dual component, LED electro-photographic printing
Type	Console
Engine speed	Max. 4.8m per minute
Resolution	600 x 600 dpi Multi-bit, 16 greyscales per dot (copying), 256 greyscales 10 minutes or less
Warm-up time	10 minutes or less
Power Source	AC 220 ~ 240 V, 50/60 Hz
Dimensions (W x D x H)	1,330 x 704 x 1,205 mm
Weight	Approx. 252 kg

Copy Functions

Identical to KM-PS4850w

Plot Functions (Optional)

Identical to KM-PS4850w

Network Scan Functions (Optional)

Identical to KM-PS4850w

Items

Copier part	KM-4850w
Optional controller	Scan/Plot System (E)

KM-P4850w/KM-P4845w Wide Format Plotter with Scanner Option

General

Technology	LED, Dual component electro-photographic printing
Type	Console
Engine speed	Max. 4.8/3.0m per minute (KM-P4850w/KM-P4845w)
Resolution	600 x 600 dpi 256 greyscales
Warm-up time	10 minutes or less
Power Source	AC 220 ~ 240 V, 50/60 Hz
Dimensions (W x D x H)	1,330 x 704 x 1,095 mm
Weight	Approx. 238 kg

Plot Functions

Identical to KM-PS4850/KM-PS4845w

Items

KM-P4850w (4.8 metre/min)	
KM-P4845w (3.0 metre/min)	
Optional scanner KM-S4850w (4.8 metre/min scanning) incl. interface cable to KM-P4850w/KM-4845w	

AutoCAD is a registered trademark of Autodesk Inc.



Need to know more? Visit: www.kyoceramita.co.uk

Businesses nowadays want it all: productivity-enhancing innovation, workhorse reliability and digital functionality. With the joint development and merging of technologies between Kyocera Corporation and Kyocera Mita, we are able to develop innovative products that will satisfy your needs more efficiently than ever before.

Free Manuals Download Website

<http://myh66.com>

<http://usermanuals.us>

<http://www.somanuals.com>

<http://www.4manuals.cc>

<http://www.manual-lib.com>

<http://www.404manual.com>

<http://www.luxmanual.com>

<http://aubethermostatmanual.com>

Golf course search by state

<http://golfingnear.com>

Email search by domain

<http://emailbydomain.com>

Auto manuals search

<http://auto.somanuals.com>

TV manuals search

<http://tv.somanuals.com>