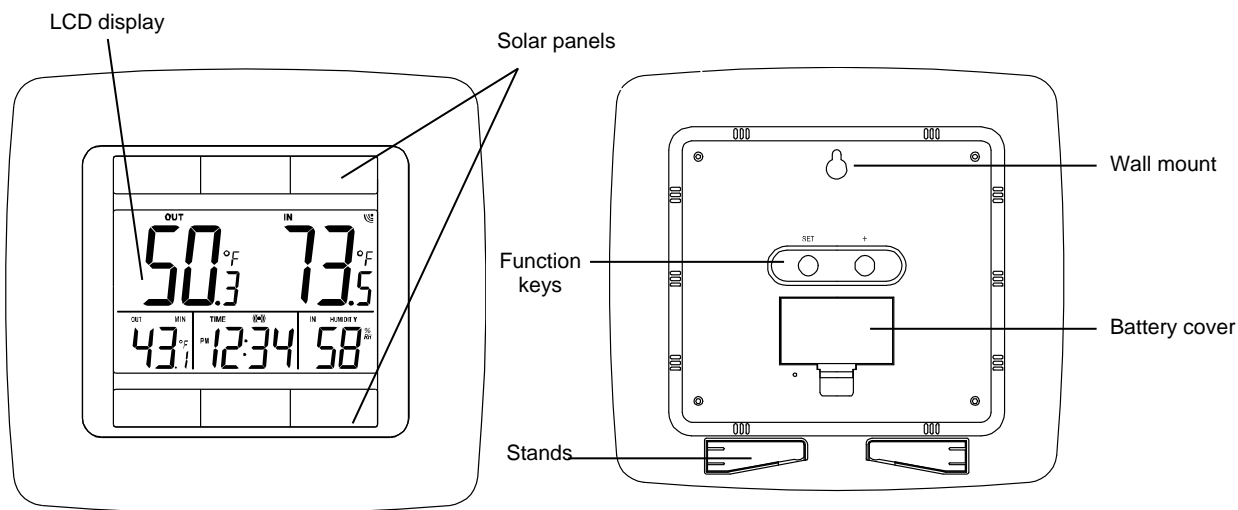




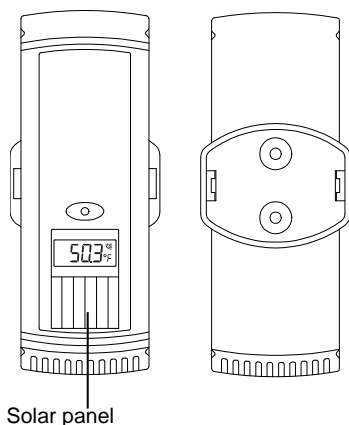
Tomorrow's Weather Today™

Model WS-8120U-IT Solar Powered Wireless Temperature Station

INSTRUCTION MANUAL



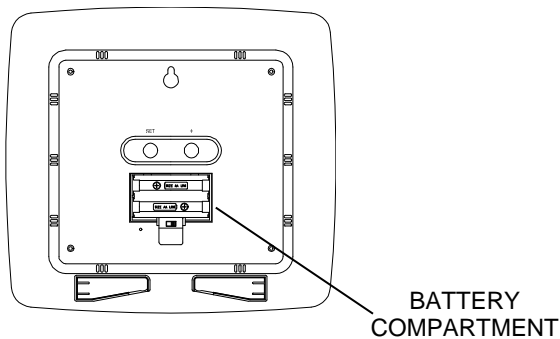
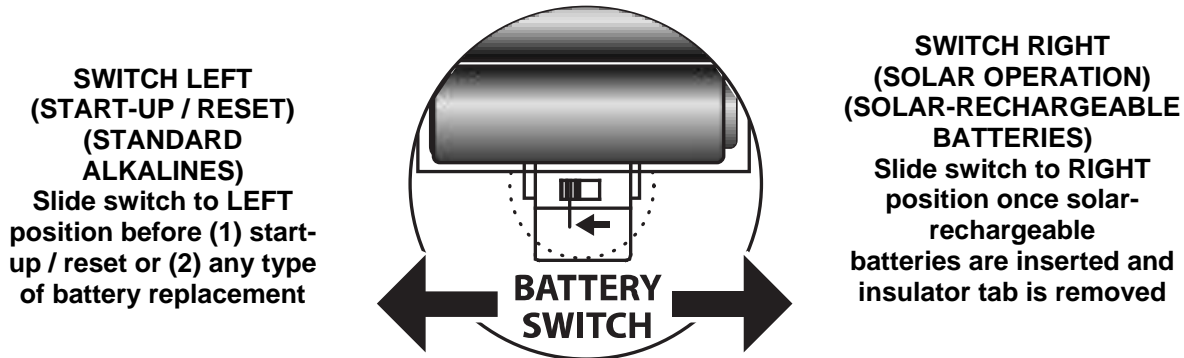
Model TX62U-IT/Solar-powered Transmitter (Sensor):



- LCD shows temperature readings
- Transmits outdoor temperature to indoor receiver using 915 MHz signals
- 200 FT. wireless transmission range (open air)
- Built-in rechargeable alkaline power cells store solar power for continuous operation
- **No batteries necessary (internal power cells cannot be replaced; contact customer service for a replacement sensor)**
- Able to charge in low light environments.

INITIAL SETUP (USING INCLUDED SOLAR RECHARGEABLE BATTERIES FROM THE FACTORY)

1. Open battery compartment on the back of the Weather Station and make sure that the battery switch under the battery compartment is to the left. If it is not, please slide the switch to the left before proceeding.
2. Locate the battery insulator tab and gently pull to remove it.
3. Slide the battery switch to the SOLAR position.



WARNING
Do NOT recharge the included solar-rechargeable batteries outside of this product because it will damage the batteries and other charging devices.



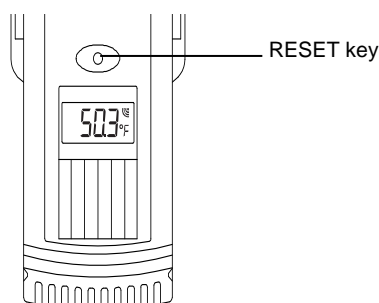
4. Continue to section labeled "ACTIVATE SOLAR-POWERED OUTDOOR TRANSMITTER"

ACTIVATE SOLAR-POWERED OUTDOOR TRANSMITTER

Press the RESET key on the Sensor to activate the solar-powered transmitter and place it 5-10 feet from the Weather Station for 15 minutes. The outdoor temperature will show on the weather station within 60 seconds. Allow the sensor and the weather station to sit 5-10 feet apart for 15 minutes so the signal can lock in repeatedly. **Do not press buttons at this time.**

NOTE: The solar panel needs light from a 60W light bulb or brighter during the activation process. Do not cover solar panel with hands or other objects.

TX62UTH-IT transmitter RESET key:



NOTE: Do not use sharp objects to press the RESET key. Use a small dull pointed object or a straightened paper clip and **gently** press the RESET key to commence NORMAL MODE.

Several start up numbers will flash on the screen of the sensor then the temperature will display.

SOLAR-POWERED TRANSMITTER OPERATION MODES

(1) NORMAL MODE:

- NORMAL MODE occurs when the battery voltage is 2.5V or greater.
- It measures and transmits temperature data to the indoor receiver every 8 seconds.
- It checks the brightness level of the surrounding environment every 5 seconds.
- It measures / transmits every 16 seconds if it detects a dark environment or if the battery voltage drops below 2.5V.

(2) IDLE MODE:

- If the battery voltage drops below 2.4V, it commences IDLE MODE; the LCD turns off and it does not measure / transmit weather data.
- It checks the brightness level of the surrounding environment every 5 seconds.
- If battery voltage rises back to 2.5V or above, it returns to NORMAL MODE.
- If the environment remains dark for 72 hours, it commences STOP MODE.

(3) STOP MODE (STANDBY):

- Occurs when the environment remains dark for 72 hours OR if you manually commence STOP MODE (standby) by covering the solar cell for 10 seconds and then press the RESET key one time.

NOTE: The LCD will display "StP" then turn off and commence STOP MODE.

- While in STOP MODE (standby), the LCD is off and the Sensor does not perform any normal operations.
- To resume normal operation, ensure the Sensor is in a bright environment (next to a 60W light bulb or similar condition) and press the RESET key to return to NORMAL MODE (battery voltage is higher than 2.5V).

SOLAR MODE ON THE WEATHER STATION

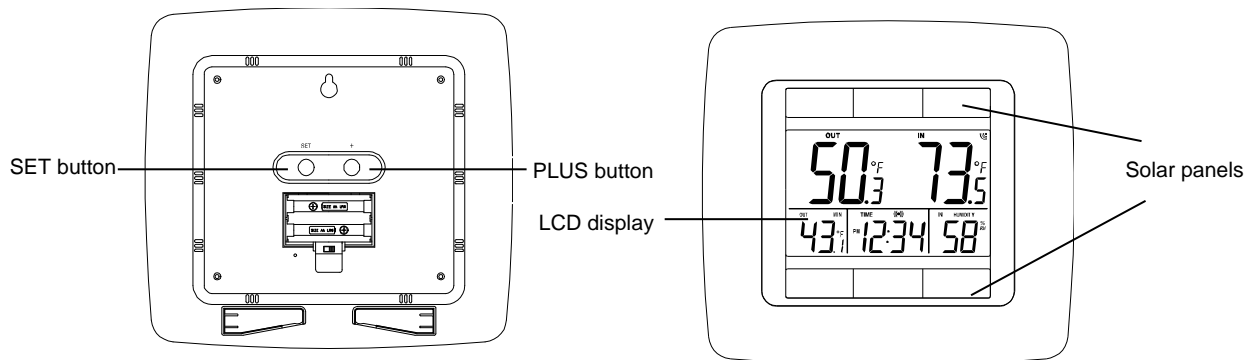
This weather station has green technology and a power-savings mode that reduces power consumption by monitoring and reacting to available lighting conditions.

- The surrounding environment brightness is checked every 5 seconds.
- LCD will automatically turn OFF if the environment is too dark. (It will appear blank)
- LCD will automatically turn ON if the environment is bright enough.
- No information will display when the LCD is OFF, but all the settings and operations will remain, except for the temperature measurements.
- **NOTE:** This will occur no matter which type of battery you use. This is a *Program Menu* feature.
- Turn this feature off and the LCD will stay on all the time. Enter the Program Menu and click through until you see SOL and ON flashing. Press the PLUS button to turn Solar Mode OFF. The LCD will no longer go blank in low light situations.

STOP MODE ON THE WEATHER STATION

If the Weather Station is in a dark environment for 72 hours continually, the clock will go to the stop mode:

- The most power saving condition.
- The indoor solar display will not operate and the LCD will turn OFF.
- Press any key to wake up the indoor solar display and re-activate the transmission with the solar transmitter.



PROGRAM MENU:

SET THE TIME: Press and hold the SET button for 3 seconds to enter the time setting mode.

- **HOURL:** The Hour digits will flash. Press and release the PLUS button to set the Hour. Press and release the SET button once.
- **MINUTES:** The Minute digits will flash. Press and release the PLUS button to set the Minutes. Press and release the SET button once.

SET SOLAR MODE ON/OFF:

Solar Mode is a power-savings mode that reduces power consumption by monitoring and reacting to available lighting conditions (Default setting ON):

- **SOLAR MODE:** SOL will show in the lower display and the word ON will flash. Press and release the PLUS button to turn the Solar Mode OFF.
- **NOTE:** The Solar Mode is used for saving the power consumption of the rechargeable battery (Default setting ON):
- Press and release the **SET** key to exit the setting mode and switch back to the normal display mode

SOLAR MODE ON THE WEATHER STATION

If the solar mode setting is ON:

- The surrounding environment brightness is checked every 5 seconds.
- LCD will automatically turn OFF if the environment is too dark.
- LCD will automatically turn ON if the environment is bright enough.
- No information will be displayed when the LCD is OFF, but all the settings and operations will remain, except for the temperature measurements.

If the solar mode setting is, OFF:

- LCD will remain ON constantly.

MIN/MAX TEMPERATURE READINGS:

VIEW MIN/MAX: Press and release the PLUS button to view:

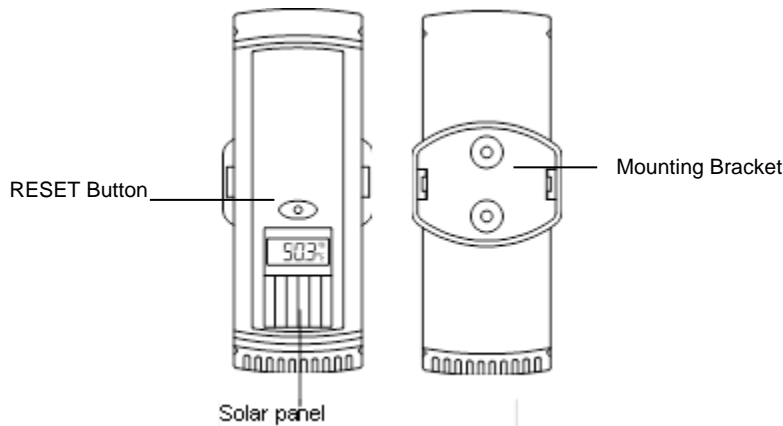
- Outdoor Temperature minimum and maximum.
- Indoor temperature minimum and maximum.
- Current display.

RESET MIN/MAX: Press and hold the PLUS button for 10 seconds to reset the indoor and outdoor minimum and maximum temperatures to current temperatures.

DISPLAY MODES:

Press and release the SET button to view different display modes:

- **Outdoor temperature** in the first line on the left side and **outdoor minimum** in the second line on the left side
- Shows **indoor temperature** in the first line on the right side and **indoor humidity** in the second line on the right
- **Indoor temperature** in the first line on the left side and **indoor humidity** in the first line on the right side
- Shows **outdoor temperature** in the second line on the left side and **indoor maximum temperature** in the second line on the right side.



NOTE: Batteries are **not** replaceable in the sensor.

SOLAR-POWERED OUTDOOR TRANSMITTER (915MHZ RECEPTION)

The Weather Station receives outdoor data every 48 seconds. If it does not receive the temperature data within 2 minutes after set-up (or the display shows "--"), then please check the following points:

1. The distance of the Weather Station or the Sensor should be at least 6 feet (2 meters) away from any interfering sources such as computer monitors or TV sets.
2. Avoid placing the Weather Station onto or in the immediate proximity of metal window frames.
3. Using other electrical products such as headphones or speakers operating on the same signal frequency (915MHz) may prevent correct signal transmission and reception.
4. Neighbors using electrical devices operating on the 915MHz signal frequency can also cause interference.

NOTE: When the 915 MHz signal is received correctly, do not re-open the battery cover of the Weather Station, as the batteries may spring free from the contacts and force a false reset. Should this happen accidentally then reset all units (see "**TO INSTALL / REPLACE BATTERY IN THE SOLAR STATION**" and "**INITIAL SETUP**" above) otherwise transmission problems may occur.

The maximum transmission range is 200 feet (60.96 m) from the outdoor transmitter to the Solar Station (in open space). However, this depends on the surrounding environment and interference levels. If no reception is possible despite the observation of these factors, all system units have to be reset (see "**TO REPLACE BATTERIES IN THE WEATHER STATION**" and "**INITIAL SETUP**").

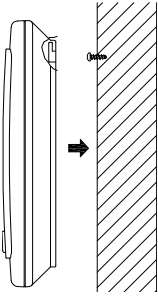
POSITIONING THE WEATHER STATION:

Stand the Weather Station on a table top, counter or desk, or mount it on a wall. Ensure that the Weather Station continuously receives the 915MHz signal from the Sensor before mounting it in the desired location.



CAUTION: If the Weather Station is placed in a constant strong light environment, move the battery switch to Alkaline mode to prevent overcharging.

WARNING: Do NOT recharge the included solar-rechargeable batteries outside of this product because it will damage the batteries and other charging devices.

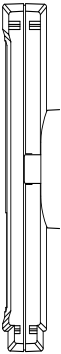


WALL MOUNTING

1. Install a mounting screw (not included) into a wall—leaving approximately 3/16 of an inch (5mm) extended from the wall.
2. Place the Weather Station onto the screw, using the hanging hole on the backside. Gently pull the Weather Station down to lock the screw into place.

NOTE: Always ensure that the Weather Station locks onto the screw before releasing.

POSITIONING THE SOLAR TRANSMITTER (SENSOR):



It is important to place the Sensor in a bright environment for the solar panel to collect enough light to recharge the internal power cell. It is best mounted on an East wall to receive cool morning sun to charge. Under an overhang will provide protection from the overhead sun, which can cause temperature inaccuracies.

The Sensor can be placed onto any flat surface or wall mounted using the bracket which doubles as a stand or wall mount base.

WALL MOUNTING:

1. Secure the bracket onto desired wall using screws and plastic anchors.
2. Clip the solar Sensor onto the bracket.

NOTE: The mounting surface can affect the transmission range. If, for instance, the Sensor is attached to a piece of metal, it may then either reduce or increase the transmitting range. For this reason, we recommend not to place the unit on any metal surfaces or in any position where a large metal or highly polished surface is in the immediate vicinity (garage doors, double-glazing, etc.). Before securing the Sensor in place, please ensure that the Weather Station continuously receives the 915MHz signal from the Sensor from the desired location.

TO REPLACE BATTERIES IN THE WEATHER STATION

The Weather Station uses either the included 2 x solar-rechargeable batteries (charged by solar panel) or 2 x AA standard alkaline batteries (non-rechargeable; not included).

The Weather Station comes with special solar-rechargeable batteries that should provide many years of service. If the batteries lose their ability to hold a charge, please dispose of them responsibly. Do NOT attempt to recharge the included solar-rechargeable batteries outside of the WS-6010U. Use standard alkaline batteries or contact customer support for more information.

! WARNING! "Do NOT recharge the included solar rechargeable batteries in any device other than the product they came with. Recharging the alkaline rechargeable batteries in battery chargers or other third party devices will damage the batteries and charging device."

*Once the solar-rechargeable batteries are removed from the Weather Station, slide the battery switch to the left position before replacing the batteries.

REGARDLESS OF THE TYPE OF BATTERIES TO BE INSTALLED, THE BATTERY SWITCH MUST BE IN THE LEFT POSITION WHEN THE BATTERIES ARE INSERTED.

If new solar rechargeable batteries are used, the battery switch should be moved to the right SOLAR position AFTER they are inserted in the unit.

REPLACE INCLUDED SOLAR RECHARGEABLE BATTERIES WITH STANDARD ALKALINE BATTERIES

1. Remove the included solar rechargeable batteries from the compartment.
2. Slide the battery switch to the LEFT to select the alkaline battery.
3. Insert new, 2 x standard alkaline batteries into the compartment, observing the correct polarity (see marking inside battery compartment or on the case).
4. Replace battery cover

Note: For best performance, standard alkaline batteries should be replaced at least once every 2 years to maintain the best running accuracy. Ensure that the batteries used are new and the correct size.



Please help in the preservation of the environment and return used batteries to an authorized depot.

RESTART AFTER STATION HAS BEEN RUNNING:

DISTANCE: For best results, please bring the outdoor sensor in the house and place 5-10 feet from the display unit.

REMOVE POWER: Remove the battery from Weather Station. Place battery switch to Alkaline Battery mode. **Do not** attempt to remove batteries from solar sensor.

DISCHARGE ELECTRICITY: With the power source removed, press one of the buttons on the display at least **20 times to clear** all stored power. Please do this even if the display is blank to remove any remaining power. Verify the display is blank.

FACE DOWN: Place the display face down on a clean cloth to prevent the solar panels from providing power.

UNPOWERED FOR 15 MINUTES: It is important for the display to remain without power for at least 15 minutes.

NOTE: Failure to allow a display to rest for 15 minutes can result in failure to connect with the outdoor sensor or missing segments on the display.

SENSOR FIRST: GENTLY PUSH the RESET button on the TX62U-IT sensor. All LCD segments will light up briefly. The code number and the security code ('20' for example) of the model will be displayed followed by the battery voltage will be shown on the LCD then the current temperature.

NOTE: Voltage needs to be higher than 2.5V to maintain normal operation. If the voltage is below 2.5V, place the TX62U-IT in a window in the full sun for a day or two.

DISPLAY NEXT:

NOTE: Start with the Battery Switch in the Battery position.

*****RECHARGEABLE ALKALINE BATTERY** (charged by solar panel): Install Alkaline Rechargeable battery. After powering up the solar clock, all LCD segments will light up briefly and it will show the time (12:00), indoor temperature, date, and indoor humidity.

SOLAR MODE: Switch to Solar mode.

CONNECTION: Allow the sensor and display to remain 5 feet apart for 15 minutes to establish a strong connection. Do not press buttons at this time. You should see a reading on the outdoor temperature area in the first minute. After 15 minutes, return the sensor outside.

OR

******PLAIN ALKALINE BATTERY:**

BATTERIES: Please be sure you are using fresh batteries tested to a minimum of 1.48, on a voltmeter that reads in numbers.

DISPLAY NEXT: Install batteries into the display according to the diagram in the battery compartment. After powering up the solar clock, all LCD segments will light up briefly and it will show the time (12:00), indoor temperature, date, and indoor humidity

BATTERY MODE: Leave switch on Battery mode.

CONNECTION: Allow the sensor and display to remain 5 feet apart for 15 minutes to establish a strong connection. Do not press buttons at this time. You should see a reading on the outdoor temperature area in the first minute. After 15 minutes, return the sensor outside.

SPECIFICATIONS:

Indoor Temperature Range: 15.8 F to 139.8 F

Indoor Humidity Range: 20%-95%

Outdoor Temperature Range: -39.2 F to 139.8F

Transmission Range: 200 Feet (open air, no obstructions)

Power Requirements:

Solar Receiver Power: 2 "AA" rechargeable alkaline batteries included

Can also use regular alkaline batteries

Solar Sensor Power: built-in rechargeable power cell (no batteries to install)

WARRANTY INFORMATION

La Crosse Technology, Ltd provides a 1-year limited warranty on this product against manufacturing defects in materials and workmanship.

This limited warranty begins on the original date of purchase, is valid only on products purchased and used in North America and only to the original purchaser of this product. To receive warranty service, the purchaser must contact La Crosse Technology, Ltd for problem determination and service procedures. Warranty service can only be performed by a La Crosse Technology, Ltd authorized service center. The original dated bill of sale must be presented upon request as proof of purchase to La Crosse Technology, Ltd or La Crosse Technology, Ltd's authorized service center.

La Crosse Technology, Ltd will repair or replace this product, at our option and at no charge as stipulated herein, with new or reconditioned parts or products if found to be defective during the limited warranty period specified above. All replaced parts and products become the property of La Crosse Technology, Ltd and must be returned to La Crosse Technology, Ltd.

Replacement parts and products assume the remaining original warranty, or ninety (90) days, whichever is longer. La Crosse Technology, Ltd will pay all expenses for labor and materials for all repairs covered by this warranty. If necessary repairs are not covered by this warranty, or if a product is examined which is not in need of repair, you will be charged for the repairs or examination.

The owner must pay any shipping charges incurred in getting your La Crosse Technology, Ltd product to a La Crosse Technology, Ltd authorized service center.

Your La Crosse Technology, Ltd warranty covers all defects in material and workmanship with the following specified exceptions: (1) damage caused by accident, unreasonable use or neglect (including the lack of reasonable and necessary maintenance); (2) damage occurring during shipment (claims must be presented to the carrier); (3) damage to, or deterioration of, any accessory or decorative surface; (4) damage resulting from failure to follow instructions contained in your owner's manual; (5) damage resulting from the performance of repairs or alterations by someone other than an authorized La Crosse Technology, Ltd authorized service center; (6) units used for other than home use (7) applications and uses that this product was not intended or (8) the products inability to receive a signal due to any source of interference.

This warranty covers only actual defects within the product itself, and does not cover the cost of installation or removal from a fixed installation, normal set-up or adjustments, claims based on misrepresentation by the seller or performance variations resulting from installation-related circumstances.

LA CROSSE TECHNOLOGY, LTD WILL NOT ASSUME LIABILITY FOR INCIDENTAL, CONSEQUENTIAL, PUNITIVE, OR OTHER SIMILAR DAMAGES ASSOCIATED WITH THE OPERATION OR MALFUNCTION OF THIS PRODUCT. THIS PRODUCT IS NOT TO BE USED FOR MEDICAL PURPOSES OR FOR PUBLIC INFORMATION. THIS PRODUCT IS NOT A TOY. KEEP OUT OF CHILDREN'S REACH.

This warranty gives you specific legal rights. You may also have other rights specific to your State. Some States do not allow the exclusion of consequential or incidental damages therefore the above exclusion of limitation may not apply to you.

For warranty work, technical support, or information contact:

La Crosse Technology
2817 Losey Blvd. S.
La Crosse, WI 54601
www.lacrossetechnology.com/support

The complete instruction manual is available at:
www.lacrossetechnology.com/8120

Contact Support: 1-608-782-1610

Product Registration: www.lacrossetechnology.com/support/register.php

All rights reserved. This handbook must not be reproduced in any form, even in excerpts, or duplicated or processed using electronic, mechanical or chemical procedures without written permission of the publisher.

This handbook may contain mistakes and printing errors. The information in this handbook is regularly checked and corrections made in the next issue. We accept no liability for technical mistakes or printing errors, or their consequences.

All trademarks and patents are acknowledged.

Printed in China

Free Manuals Download Website

<http://myh66.com>

<http://usermanuals.us>

<http://www.somanuals.com>

<http://www.4manuals.cc>

<http://www.manual-lib.com>

<http://www.404manual.com>

<http://www.luxmanual.com>

<http://aubethermostatmanual.com>

Golf course search by state

<http://golfingnear.com>

Email search by domain

<http://emailbydomain.com>

Auto manuals search

<http://auto.somanuals.com>

TV manuals search

<http://tv.somanuals.com>