

# ST Front Brush Guard Assembly Instructions



Treker ST Series

Manual No. 701-137M

## Before You Start



When you see this symbol, the subsequent instructions and warnings are serious - follow without exception. Your life and the lives of others depend on it!

**IMPORTANT:** Before you begin, read these instructions and check to be sure all parts and tools are accounted for. Please retain these installation instructions for future reference and parts ordering information.



### CAUTION

*Your ST Front Brush Guard is exclusively designed for your Land Pride ST Treker. Please read these installation instructions and your ST Treker Operator's Manual thoroughly before beginning. Especially read information relating to safety concerns. Also included in the Operator's Manual is important information on operation, adjustment, troubleshooting, and maintenance for this attachment (some manual sections do not apply to all accessories).*

## General Information

These assembly instructions apply to the following ST Front Brush Guard Accessories listed below:

**701-037A ST Front Brush Guard**

## Further Assistance

Your dealer wants you to be satisfied with your new ST Front Brush Guard. If for any reason you do not understand any part of this manual or are not satisfied with the service received, the following actions are suggested:

1. Discuss the matter with your dealership service manager making sure he is aware of any problems you may have and that he has had the opportunity to assist you.
2. If you are still not satisfied, seek out the owner or general manager of the dealership, explain the problem and request assistance.
3. For further assistance write to:

**Land Pride Service Department**  
**1525 East North Street**  
P.O. Box 5060  
Salina, Ks. 67402-5060

E-mail address  
lpservicedept@landpride.com

## Assembly Instructions

### Assembly Instructions

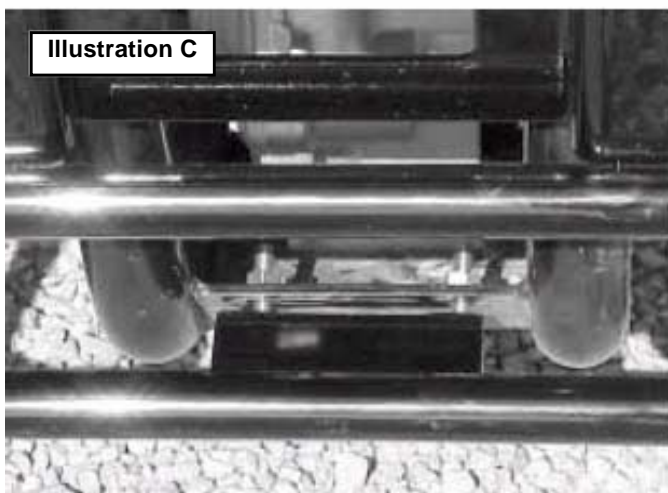
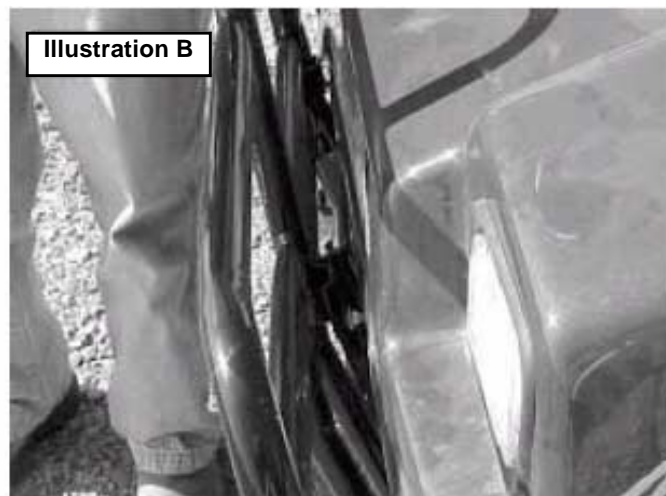
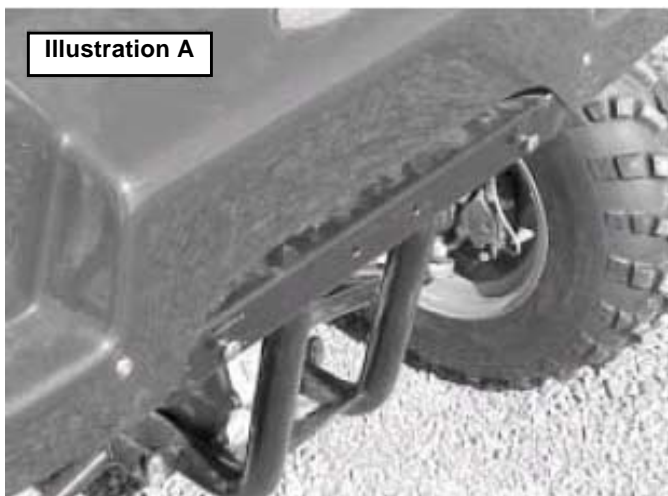
A detailed listing of parts for this accessory kit is provided on page 3. Use the list as a checklist to inventory parts received. Please contact your local Land Pride dealer for any missing hardware.

**ALL DIRECTIONS REFERRING TO THE RIGHT AND LEFT ARE WHEN THE OPERATOR IS IN THE MACHINE.**

1. Loosely fasten two 5/16" x 1" Carriage Bolts (#2) and two 5/16" Serrated Flange Hex Nuts (#4) in the two outside bumper mount holes on the front of the machine. See illustration A.
2. Slide the Brush Guard (#1) attaching brackets over top of the heads of the two 5/16" x 1" Carriage Bolts (#2) installed in step one. See illustration B.

3. Attach the bottom of the Brush Guard (#1) to the bottom of the machine with two 5/16" x 1" Carriage Bolts (#2) and two 5/16" Nylock Nuts (#3) provide with this kit. See illustration C.
4. Make all necessary adjustments at this time. Fully tighten all attaching hardware at this time.

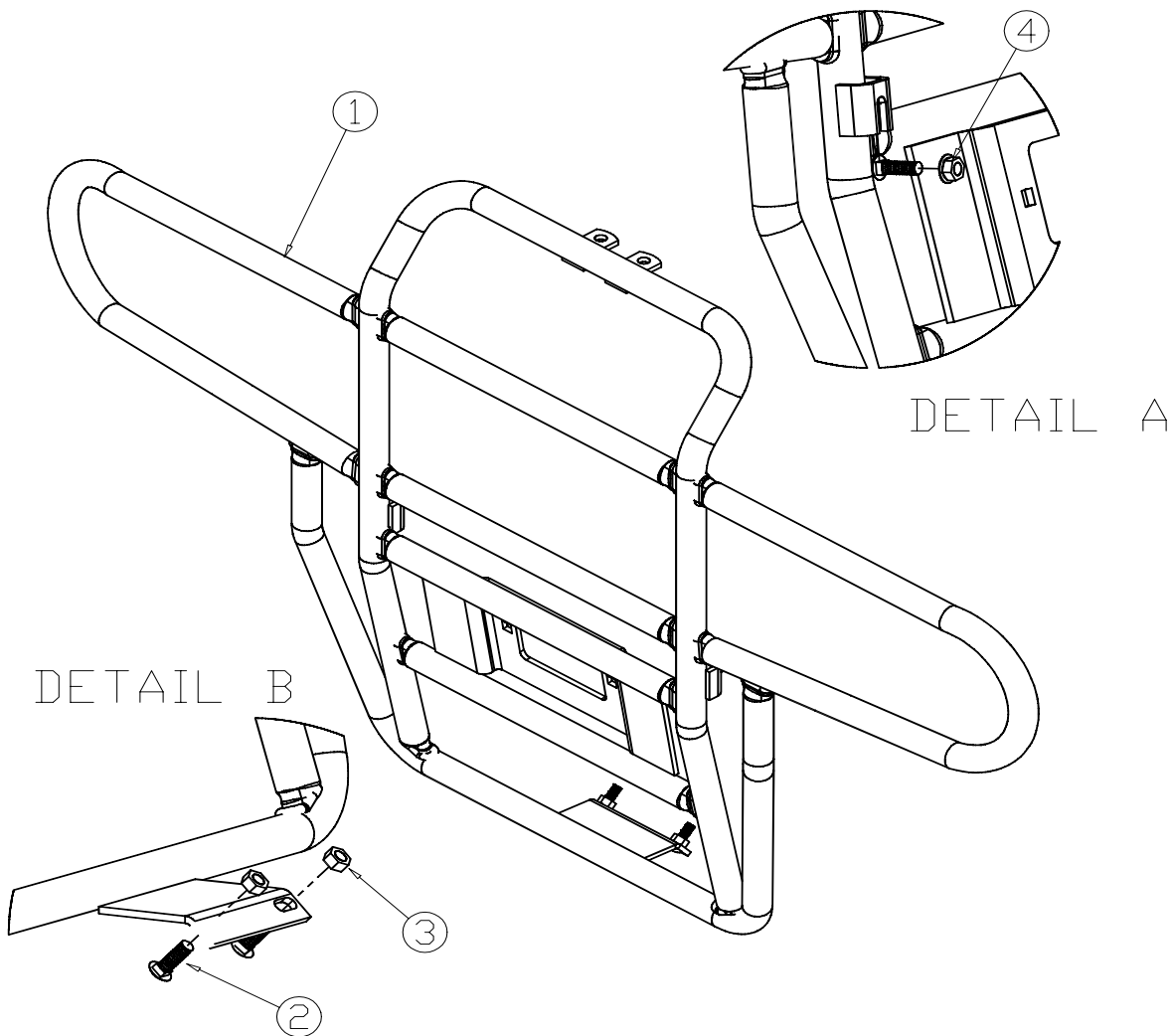
**Fully tighten all attaching hardware at this time.**



**Listing of Parts**

**Kit No. 701-037A BRUSH GUARD ST**

Item	Part No.	Part Description	Qty
1	701-037A	BRUSH GUARD ST	1
2	802-282C	RHSNB 5/16-18X1 GR5	4
3	803-084C	NUT HEX NYLOCK 5/16-18 PLT	2
4	803-043C	NUT HEX WHIZ 5/16-18 PLT	2





Corporate Office: P.O. Box 5060  
Salina, Kansas 67402-5060 USA  
[www.landpride.com](http://www.landpride.com)

## Free Manuals Download Website

<http://myh66.com>

<http://usermanuals.us>

<http://www.somanuals.com>

<http://www.4manuals.cc>

<http://www.manual-lib.com>

<http://www.404manual.com>

<http://www.luxmanual.com>

<http://aubethermostatmanual.com>

Golf course search by state

<http://golfingnear.com>

Email search by domain

<http://emailbydomain.com>

Auto manuals search

<http://auto.somanuals.com>

TV manuals search

<http://tv.somanuals.com>