

Steering Dampener Replacement Kit Part Number 356-139A



Accu-Z Riding Mowers

Manual No. 356-140M

Before You Start



When you see this symbol, the subsequent instructions and warnings are serious - follow without exception. Your life and the lives of others depend on it!

These optional assembly instructions contain only information required to assemble the Steering Dampener Replacement Kit to the Accu-Z riding mowers. A detailed Operator's Manual was supplied with the Accu-Z. Refer to the Operator's Manual for additional specific information especially information relating to safety concerns. Also included in the Operator's Manual is important information on operation, adjustment, troubleshooting, and maintenance for this attachment (some manual sections do not apply to all options).

A separate Parts Manual for replacement parts can be purchased from your dealer or available free of charge at www.landpride.com. Have model and serial numbers handy when placing an order.

Manual Part Numbers:

- Operator's Manual 356-005M
- Parts Manual 356-005P

General Information

These assembly instructions apply to the following Steering Dampener kit options listed below:

356-139A STEERING DAMPENER UPDATE KIT

A detailed listing of parts for kit no 356-139A is provided on page 3. Use the list as a checklist to inventory parts received.

The steering centering dampener (part no. 836-056C) is no longer available as a replacement part for the Accu-Z tractor. It has been replaced with steering centering dampener (part no. 836-216C). This dampener is currently being used on other Z models and has a spring built into the housing. Therefore, the return spring assembly is no longer required on the Accu-Z models. It will also be necessary to replace both steering centering dampeners at the same time. The new dampener has a different rate of return to neutral and requires replacement of both left and right sides.

Order steering dampener part number 836-216C from your nearest Land Pride dealer when replacing dampeners for the 356-139A Steering Dampener Replacement Kit. Part number 836-216C is for one dampener only. You must order two to replace both.

Assembly Instructions

Refer to Figure 1 & Figure 2:

Replace existing centering dampener as follows:

1. Park unit on level ground, remove ignition key and disconnect negative battery cable.
2. Locate and remove return spring assembly (A) from pump lever (B) and the spring mount (C). Discard these parts as they are no longer necessary.
3. Locate existing steering dampeners (D) and pry clamps (E) off each end and pull steering dampener off the ball studs (F). The ball studs will be used with the new dampeners.
4. Push replacement steering dampener (G) onto the ball studs (F) until it snaps in place.
5. Lock in place by pushing clamps (E) into the replacement steering dampener (G).

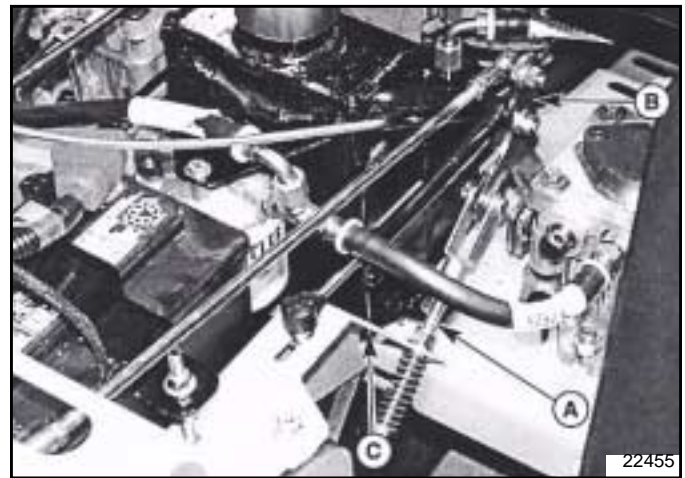


Figure 1



Figure 2

- | | |
|-----------------------------|-----------------------------|
| A - Return spring assembly | E - Clamp |
| B - Pump lever | F - Dampener ball stud |
| C - Spring mount | G - Steering dampener - new |
| D - Steering dampener - old | |

Assembly Instructions

Refer to Figure 3:

6. Place control lever in neutral position.
7. Loosen the steering dampeners front ball stud (A).
8. Pull dampener spring housing (B) pass the point that the internal spring is engaged.
9. Release dampener spring housing (B) and allow the internal spring to bring the housing back to the neutral position.
10. Tighten nut (C) on the steering dampeners front ball stud (A).

NOTE: The dampener must not bottom out when the pump lever is fully stroked in either direction.

11. Re-connect the negative battery cable.

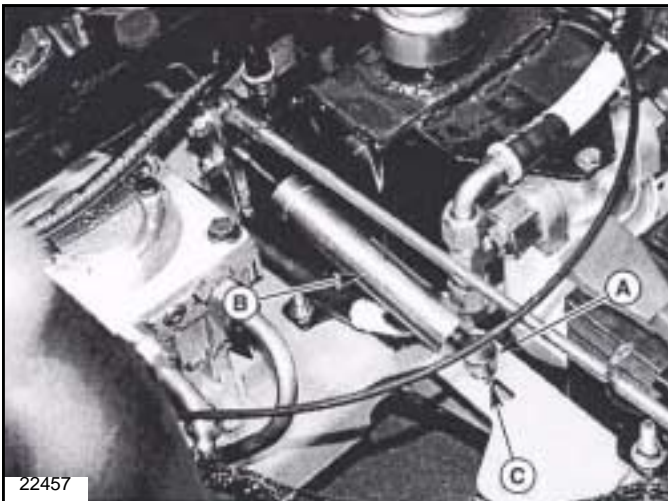


Figure 3

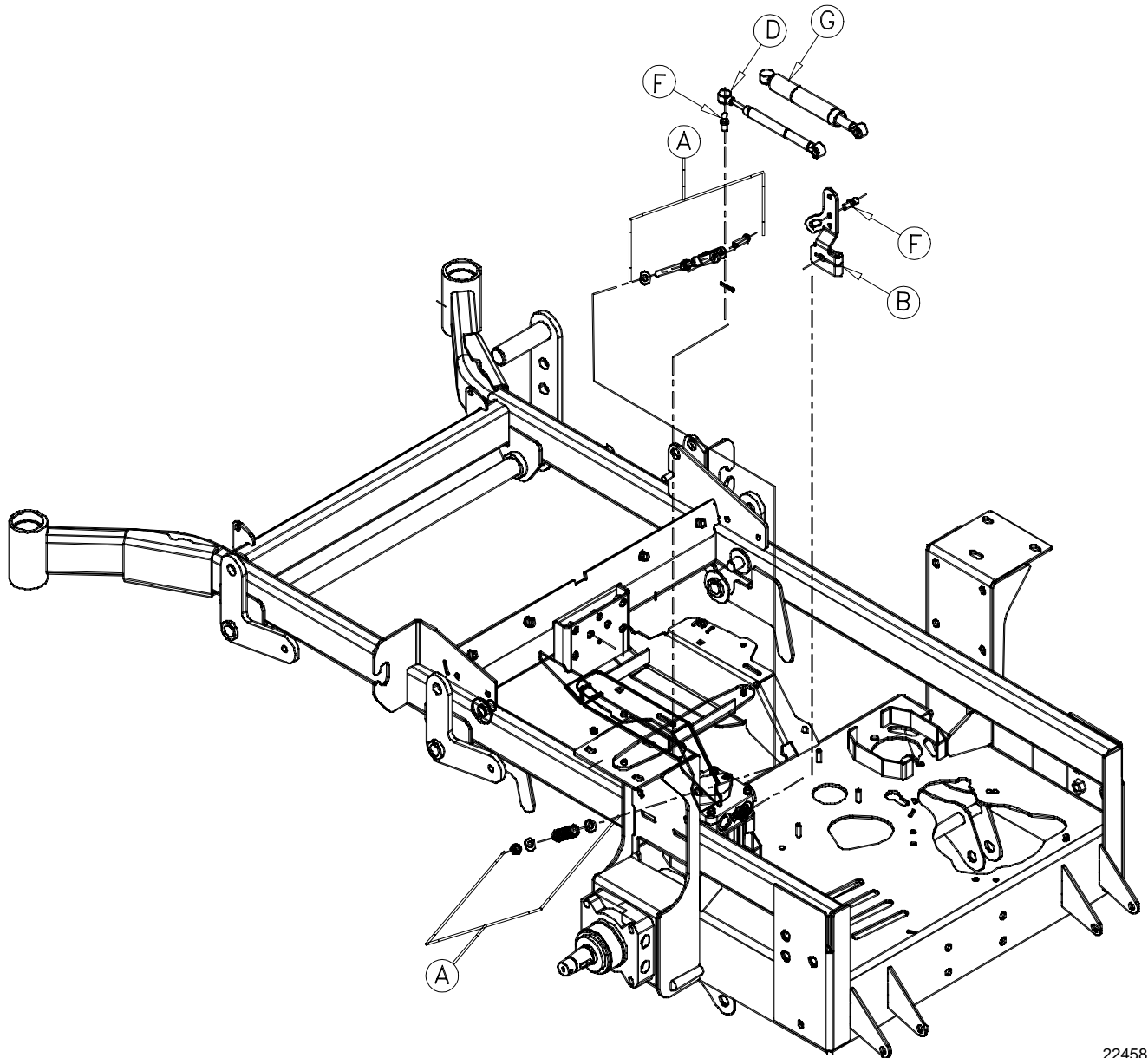
- A - Steering dampener front ball stud
- B - Dampener spring housing
- C - Nut

Listing of Parts

Kit No. 356-139A

STEERING DAMPENER UPDATE KIT

Qty.	Part No.	Part Description
2	839-216C	CENTERING DAMPENER (See item G below)



22458

Figure 4

- A - Return spring assembly
- E - Clamp
- F - Dampener ball stud

- C - Spring mount
- G - Steering dampener - new
- D - Steering dampener - old



Corporate Office: P.O. Box 5060
Salina, Kansas 67402-5060 USA
www.landpride.com

Free Manuals Download Website

<http://myh66.com>

<http://usermanuals.us>

<http://www.somanuals.com>

<http://www.4manuals.cc>

<http://www.manual-lib.com>

<http://www.404manual.com>

<http://www.luxmanual.com>

<http://aubethermostatmanual.com>

Golf course search by state

<http://golfingnear.com>

Email search by domain

<http://emailbydomain.com>

Auto manuals search

<http://auto.somanuals.com>

TV manuals search

<http://tv.somanuals.com>