

Trailer, Fifth Wheel Assembly Instructions



Treker 4200/4400 NT/ST and 4210/4410 ST Series

Manual No. 701-154M

Before You Start



When you see this symbol, the subsequent instructions and warnings are serious - follow without exception. Your life and the lives of others depend on it!

IMPORTANT: Before you begin, read these instructions and check to be sure all parts and tools are accounted for. Please retain these installation instructions for future reference and parts ordering information.

Your Trailer, Fifth Wheel is exclusively designed for your Land Pride NT & ST Treker. Please read these installation instructions and your NT & ST Treker Operator's Manual thoroughly before beginning. Especially read information relating to safety concerns. Also included in the Operator's Manual is important information on operation, adjustment, troubleshooting, and maintenance for this attachment (some manual sections do not apply to all accessories).

General Information

These assembly instructions apply to the following Trailer, Fifth Wheel Accessories listed below:

701-154A Trailer Fifth Wheel

Further Assistance

Your dealer wants you to be satisfied with your new Trailer, Fifth Wheel. If for any reason you do not understand any part of this manual or are not satisfied with the service received, the following actions are suggested:

1. Discuss the matter with your dealership service manager making sure he is aware of any problems you may have and that he has had the opportunity to assist you.
2. If you are still not satisfied, seek out the owner or general manager of the dealership, explain the problem and request assistance.
3. For further assistance write to:

Land Pride Service Department
1525 East North Street
P.O. Box 5060
Salina, Ks. 67402-5060

E-mail address
lpservicedept@landpride.com

Assembly Instructions

A detailed listing of parts for this accessory kit is provided on page 4. Use the list as a checklist to inventory parts received. Please contact your local Land Pride dealer for any missing hardware.

ALL DIRECTIONS REFERRING TO THE RIGHT AND LEFT ARE WHEN THE OPERATOR IS ON THE MACHINE.



WARNING

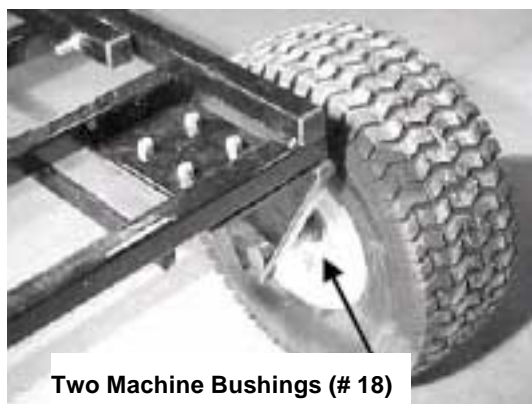
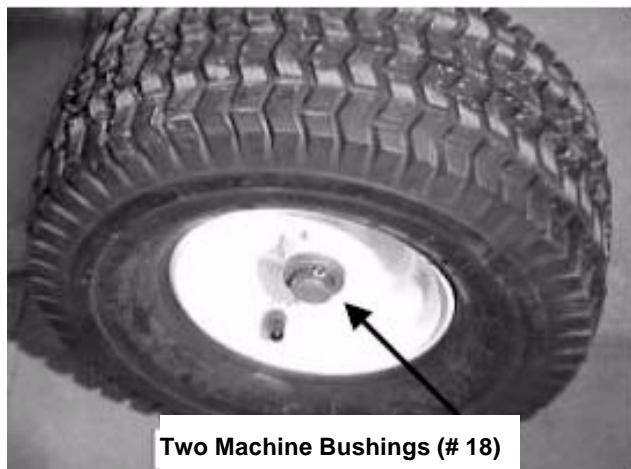
Due to reduced ground clearance, remove Trailer Hitch assembly before trail riding and when the Trailer is not in use. Do not exceed 5 Mph when the Trailer is installed. Use Extreme Caution on inclines or slopes. This trailer is for cargo only. Failure to follow these warnings could cause serious injury or possibly death.

ASSEMBLY INSTRUCTIONS:

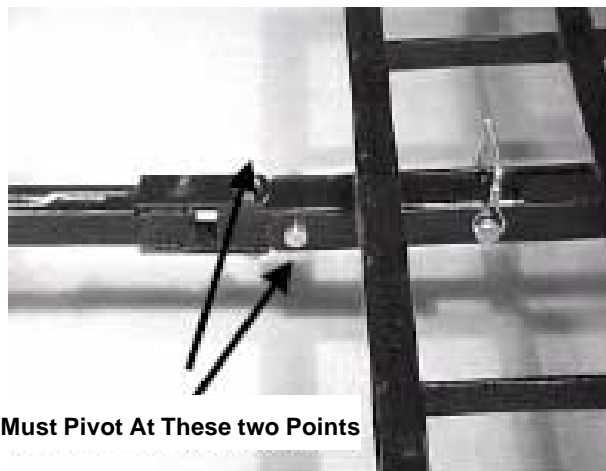
1. Using 5/16" x 3/4" Bolts (#21) and Nylock Locknuts, provided in the parts bag, attach the Wheel Mounts (#17) to the Trailer Bed (#4). See pictures below. *Do not fully tighten attaching hardware at this time.*



Assembly Instructions



2. Place two 1" x 1-1/2" Machine Bushings (#19) on the Wheel Mount (#17) shaft. Slide the Wheel (#18) on the Wheel Mount (#17). Slide another two 1" x 1-1/2" Machine Bushings (#19) on the Wheel Mount (#17) shaft. Secure the Wheel assembly with one 5/32" x 1-1/2" Cotter Pin (#20). Repeat this step on the other side. Note: You may only need to install some of the Machine Bushings (#19). Only use enough Machine Bushings (#19) to ensure a snug wheel fit.



3. Place the Pivot Tube (#3) between the front support rails as shown in the picture above and attach using one of the 3/8" x 2-1/4" Bolts (#12) and Nylock Locknuts provided. Tighten fully and then back off turn or just until the Pivot Tube (#3) can rotate inside the support rails.

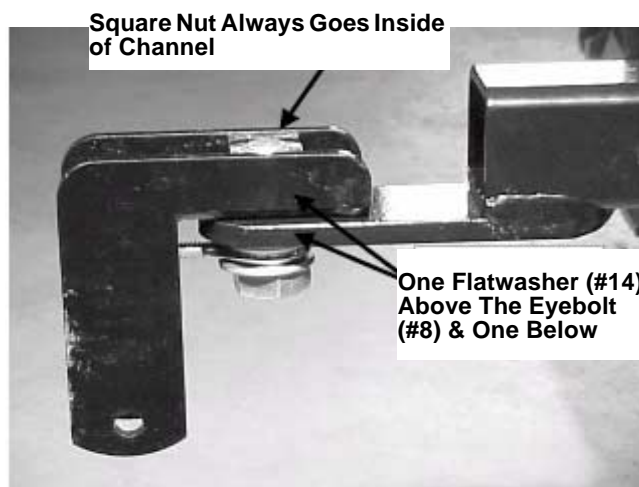
4. Install one of the 3/8" 2-1/2" Lock Pins (#8) in the rear hole of the Pivot Tube (#3) as shown and then attach the Trailer Tongue (#2) using the remaining 3/8" x 2-1/4" Bolt (#12) and Nylock Lock Nut. Tighten securely and then back off turn or just until the trailer Tongue (#2) can rotate side to side.



CAUTION

Be aware that the GROUND CLEARANCE of your machine is reduced. This could result in a loss of control of your machine and cause injury or death. Do not exceed 5 Mph with the hitch installed and remove it before trail riding.

Square Nut ALWAYS goes inside of channel.

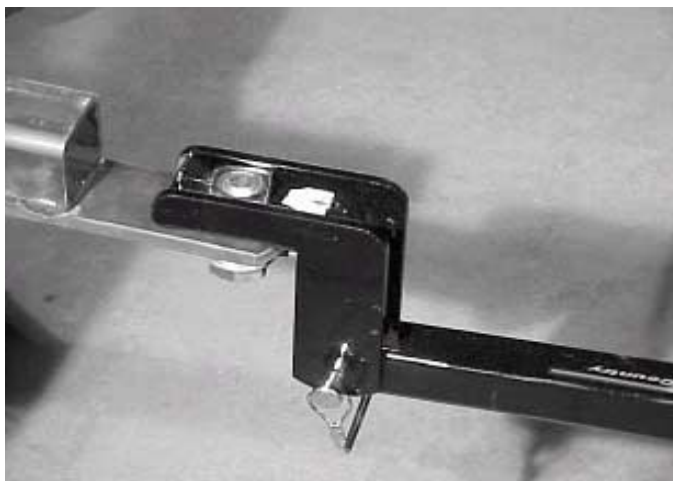


Assembly Instructions

5. The hitch comes already assembled. Mount the Hitch (#1) in the manner that will position the trailer pin hole at 11 inches or more from the ground.

Note: On most machines the hitch will be mounted as shown above.

6. Make sure the Hitch (#1) is straight in line with the center of the Machine. First tighten the 3/4" x 2" Bolt (#14) just enough to take out the free play. Then tighten the 5/16" Eyebolt (#9) until it actually begins to draw the Hitch (#1) into the Rear Reese Hitch (701-017A). Tighten the Eyebolt (#9) an additional turn and then FULLY tighten the 3/4" x 2" Bolt (#14).

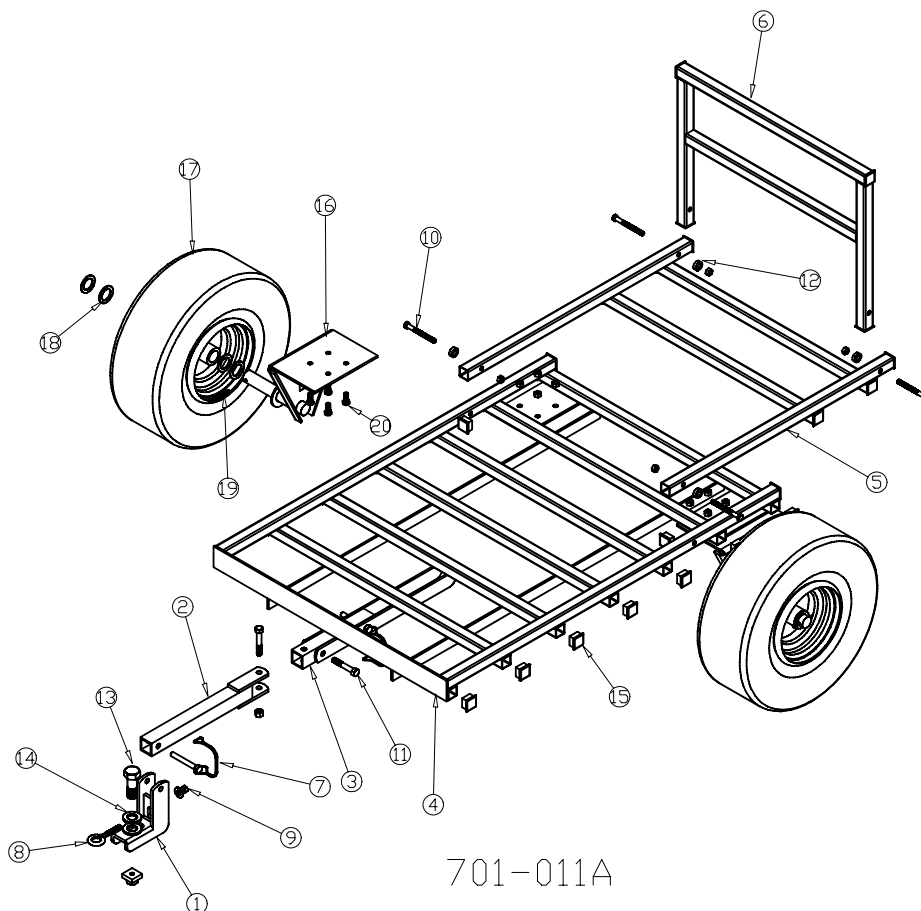


7. Connect the Trailer to the Hitch Assembly using the remaining 3/8" x 2- 1/2" Lock Pin (#8) as shown in the picture above.

Listing of Parts

Kit No. 701-034A BACK SCREEN NT

| Item | Part No. | Part Description | Qty |
|------|----------|--------------------------------|-----|
| 1 | PTL102 | HITCH | 1 |
| 2 | PTL103 | TRAILER TONGUE | 1 |
| 3 | PTL104 | PIVOT TUBE | 1 |
| 4 | PTL105 | TRAILER BED | 1 |
| 5 | PTL106 | BED EXTENSION | 1 |
| 6 | PTL107 | TAIL GATE | 1 |
| 7 | 805-212C | PIN WIRE SNAP LOCK 3/8 X 2 1/2 | 2 |
| 8 | EB516WD | 5/16" EYE BOLT WELDED | 1 |
| 9 | 804-010C | WASHER FLAT 5/16 USS PLT | 1 |
| 10 | 802-131C | HHCS 5/16-18X3 GR5 | 4 |
| 11 | 802-114C | HHCS 3/8-16X2 1/2 GR5 | 2 |
| 12 | SP34-14 | 5/16"X3/4"X1/4" NYLON SPACER | 4 |
| 13 | 802-064C | HHCS 3/4-10X2 GR5 | 1 |
| 14 | 804-025C | WASHER FLAT 3/4 SAE PLT | 2 |
| 15 | CAPSQ | TUBE PLUGS | 28 |
| 16 | 10307 | WHEEL MOUNT | 2 |
| 17 | CSY325 | WHEEL | 2 |
| 18 | MB1121 | 1"X1 1/2" MACHINE BUSHING | 8 |
| 19 | 805-089C | PIN COTTER 5/32 X 1 1/2 LONG | 2 |
| 20 | 802-007C | HHCS 5/16-18X3/4 GR5 | 8 |



Free Manuals Download Website

<http://myh66.com>

<http://usermanuals.us>

<http://www.somanuals.com>

<http://www.4manuals.cc>

<http://www.manual-lib.com>

<http://www.404manual.com>

<http://www.luxmanual.com>

<http://aubethermostatmanual.com>

Golf course search by state

<http://golfingnear.com>

Email search by domain

<http://emailbydomain.com>

Auto manuals search

<http://auto.somanuals.com>

TV manuals search

<http://tv.somanuals.com>