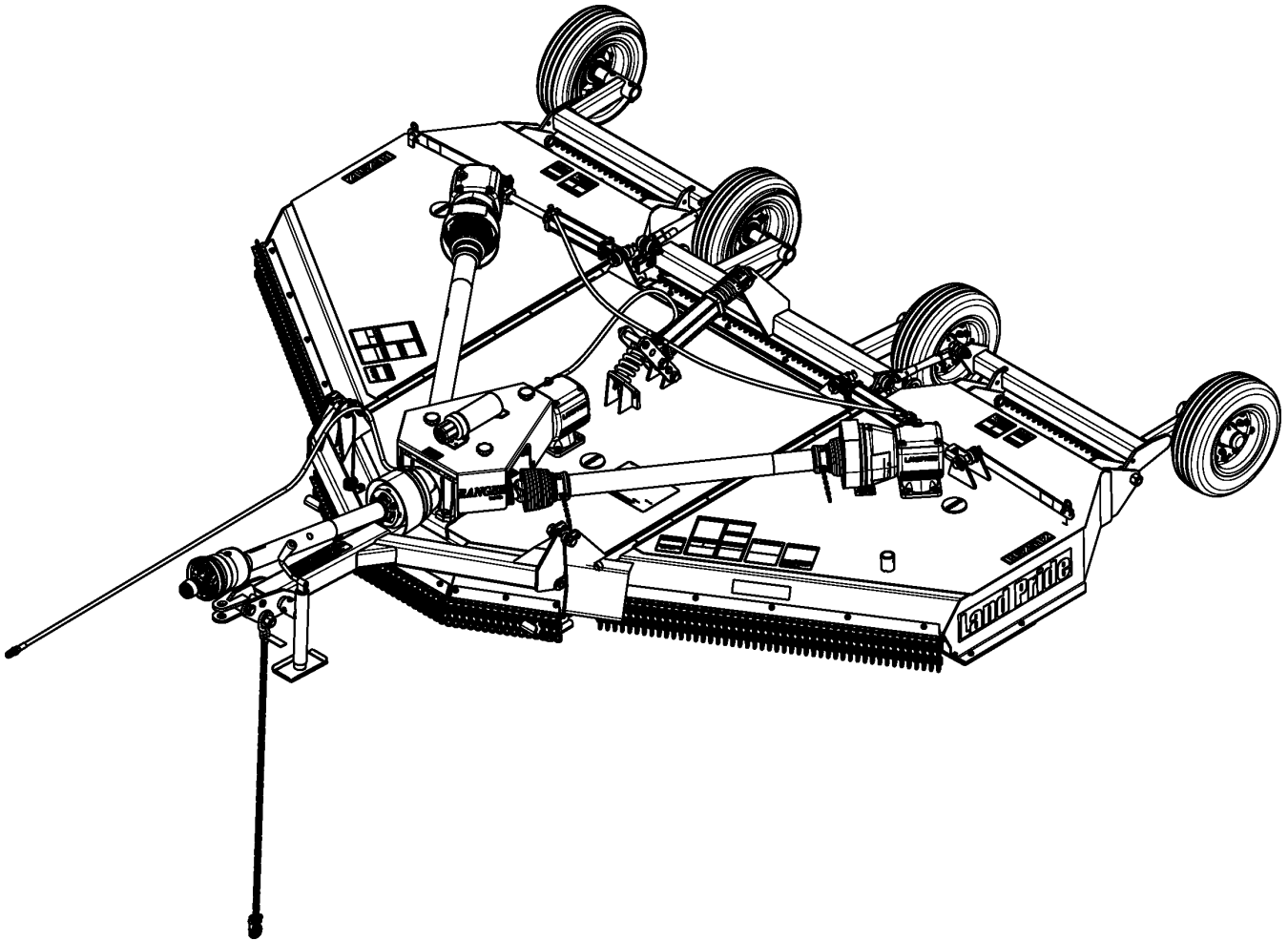


Rotary Cutters

RC2512 S/N 945550- & RC2512 Series 2 S/N 945551+



30649

330-725P Parts Manual



Read the Operator's Manual entirely. When you see this symbol, the subsequent instructions and warnings are serious - follow without exception. Your life and the lives of others depend on it!

© Copyright 2015 Printed 09/29/15

Cover photo may show optional equipment not supplied with standard unit.





Table of Contents

Section 1: Introduction.....	4	Decals S/N 945551+.....	72
Using This Manual.....	4	Section 9: Options & Accessories.....	74
Manual Replacement Information.....	4	Dual Remote Plumbing Kit.....	74
Manual Revisions.....	4	Folding Cutter Light Kit 2.....	76
Touch-up Paint.....	4	RC2512 Tire Options.....	78
Hardware Legend.....	5		
Replacement Hardware.....	5		
Serial Numbers.....	5	Part Number Index.....	80
Part Number Service Coding.....	5		
Section 2: Decks & Hitch.....	6		
Blade Carrier SN 875273-.....	6		
Blade Carrier SN 875274+.....	8		
Deck Center Section S/N 945550-.....	10		
Deck Center Section S/N 945551+.....	12		
Deck Wing Section S/N 945550-.....	14		
Deck Wing Section S/N 945551+.....	16		
Hitch Main Frame S/N 945550-.....	18		
Hitch Main Frame S/N 945551+.....	20		
Leveling Rod & Wing Turnbuckle.....	22		
Section 3: Axles.....	24		
Axle Center.....	24		
Axle Wing.....	26		
Section 4: Guards.....	28		
Guards Chain Single Row Front S/N 945550-.....	28		
Guards Chain Single Row Front S/N 945551+.....	30		
Guards Chain Single Row Rear.....	32		
Section 5: Drivelines (540 RPM).....	34		
Driveline Center (826-665C) S/N 944646-.....	34		
Driveline Center (826-813C) S/N 944647+.....	36		
Driveline CV (826-683C) Weasler.....	38		
Driveline Slip Clutch (398468).....	40		
Driveline Wing (826-667C) S/N 945004-.....	42		
Driveline Wing (826-814C) S/N 945005+.....	44		
Section 6: Gearboxes (540 RPM).....	46		
Gearbox (826-390C) S/N 875273-.....	46		
Gearbox (826-677C) S/N 875273-.....	48		
Gearbox (826-774C) Comer S/N 875274+.....	50		
Gearbox (826-775C) Comer S/N 875274+.....	52		
Gearbox Divider 540 RPM (826-280C) Comer.....	54		
Gearbox Divider 540 RPM (826-280C) SD Engineering.....	56		
Section 7: Hydraulics.....	58		
Hydraulic Cylinder (810-200C) Midway.....	58		
Hydraulic Cylinder (810-200C) Red Lion.....	60		
Hydraulic Cylinder (810-722C).....	62		
Hydraulic Cylinder (810-882C).....	64		
Hydraulic Lift Plumbing Single Remote.....	66		
Spring Mechanism & Wing Locks.....	68		
Section 8: Decals.....	70		
Decals S/N 945550-.....	70		

© Copyright 2015. All rights reserved.

Land Pride provides this publication "as is" without warranty of any kind, either expressed or implied. While every precaution has been taken in the preparation of this manual, Land Pride assumes no responsibility for errors or omissions. Neither is any liability assumed for damages resulting from the use of the information contained herein. Land Pride reserves the right to revise and improve its products as it sees fit. This publication describes the state of this product at the time of its publication, and may not reflect the product in the future. The illustrations in this manual are not intended for safe and proper assembly or disassembly of equipment. The illustrations are intended for ordering parts only.

Land Pride is registered trademark.

All other brands and product names are trademarks or registered trademarks of their respective holders.

Printed in the United States of America.



Alphabetized Table of Contents

A	
Axle Center.....	24
Axle Wing.....	26
B	
Blade Carrier SN 875273-.....	6
Blade Carrier SN 875274+.....	8
D	
Decals S/N 945550-.....	70
Decals S/N 945551+.....	72
Deck Center Section S/N 945550-.....	10
Deck Center Section S/N 945551+.....	12
Deck Wing Section S/N 945550-.....	14
Deck Wing Section S/N 945551+.....	16
Driveline Center (826-665C) S/N 944646-.....	34
Driveline Center (826-813C) S/N 944647+.....	36
Driveline CV (826-683C) Weasler.....	38
Driveline Slip Clutch (398468).....	40
Driveline Wing (826-667C) S/N 945004-.....	42
Driveline Wing (826-814C) S/N 945005+.....	44
Dual Remote Plumbing Kit.....	74
F	
Folding Cutter Light Kit 2.....	76
G	
Gearbox (826-390C) S/N 875273-.....	46
Gearbox (826-677C) S/N 875273-.....	48
Gearbox (826-774C) Comer S/N 875274+.....	50
Gearbox (826-775C) Comer S/N 875274+.....	52
Gearbox Divider 540 RPM (826-280C) Comer.....	54
Gearbox Divider 540 RPM (826-280C) SD Engineering.....	56
Guards Chain Single Row Front S/N 945550-.....	28
Guards Chain Single Row Front S/N 945551+.....	30
Guards Chain Single Row Rear.....	32
H	
Hitch Main Frame S/N 945550-.....	18
Hitch Main Frame S/N 945551+.....	20
Hydraulic Cylinder (810-200C) Midway.....	58
Hydraulic Cylinder (810-200C) Red Lion.....	60
Hydraulic Cylinder (810-722C).....	62
Hydraulic Cylinder (810-882C).....	64
Hydraulic Lift Plumbing Single Remote.....	66
L	
Leveling Rod & Wing Turnbuckle.....	22
R	
RC2512 Tire Options.....	78
S	
Spring Mechanism & Wing Locks.....	68

General Information

Using This Manual

This manual is divided into sections. The first section contains General Information. The remaining sections divide the machine into segments (i.e. Frames, Drives, Hydraulics, etc.) which illustrate and list all parts. A Parts Number Index is located at the back of the book.

The Land Pride parts in this manual are specially designed for this machine and should be replaced with Land Pride parts only.

The information in this manual is current at time of printing. Some parts may change to assure top performance.

Right-hand and left-hand as used in this manual are determined by facing the direction the machine will travel while in use.

Below is an example of two facing pages from a parts manual. Familiarize yourself with the type of information contained on these pages.

Manual Replacement Information

Replacement manuals are available. Refer to our website at www.landpride.com or e-mail us at lit@landpride.com for additional information. Our website continues to provide the most up-to-date manuals available.

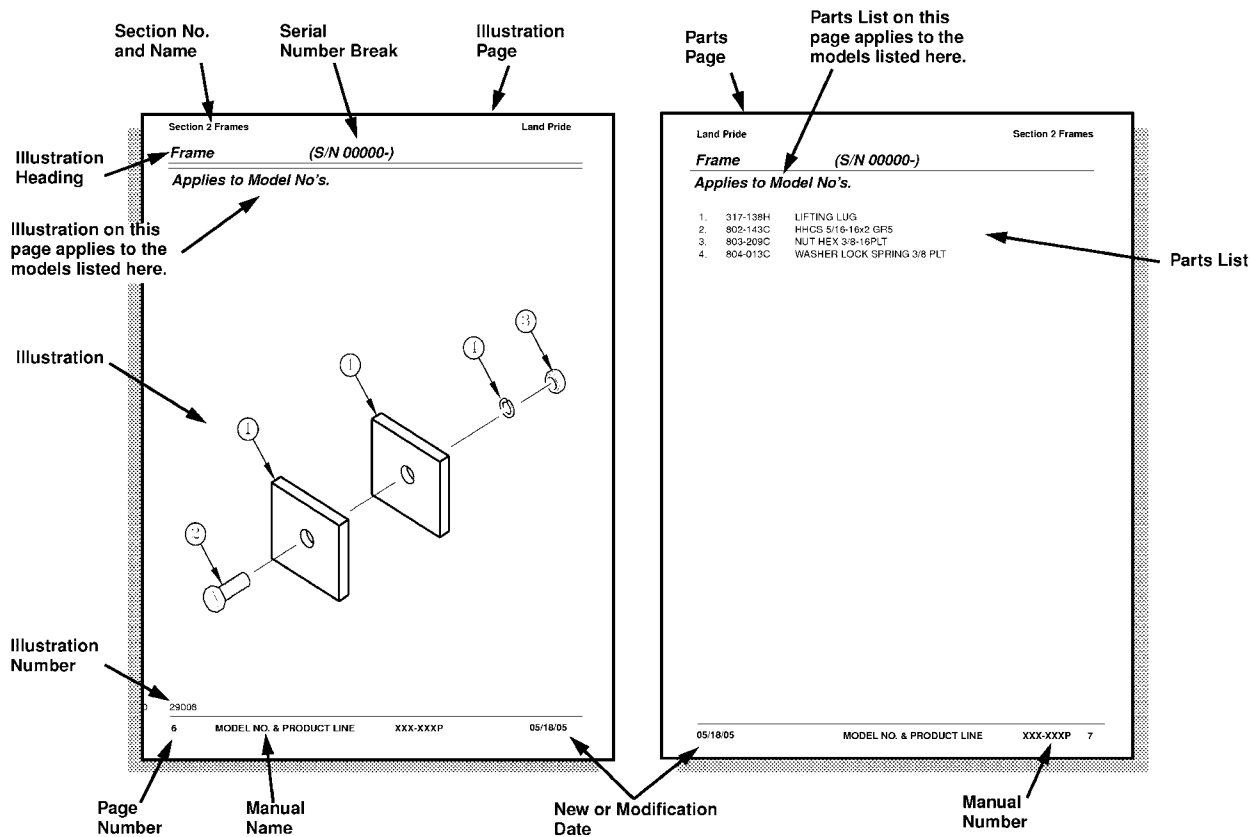
Touch-up Paint

Repaint parts where paint is worn or scratched to prevent rust. Aerosol cans and touch-up bottles with brush applicator are available through your local dealer. Land Pride color descriptions and part numbers are listed below. Also available are quart and gallon size paints. Add QT or GL to end of the Aerosol P/N.

Color	Product*	Aerosol	Touch-Up
Gloss Black	LP	821-032C	821-032CTU
Beige	LP	821-011C	821-011CTU
Green	SLP	821-058C	821-058CTU
Orange	SLP	821-066C	821-066CTU
Red	SLP	821-054C	821-054CTU
Blue	SLP	821-067C	821-067CTU

Notes:

- * LP = All Land Pride Products
- SLP = Select Land Pride Products that are available in optional Green, Orange and Red.



General Information

Hardware Legend

AR	As Required
BLADE	Blade Bolt
C	Cap Screw
CP	Cotter Pin
CPHSSS	Cup Point Hex Socket Set Screw
CPSHSS	Cup Point Square Head Set Screw
CPSQHSS	Cup Point Square Head Set Screw
CRFCHMS3	Cross Recess Flat Countersunk Head Machine Screw
CRPHMS	Cross Recess Pan Head Machine Screw
CRPHTF	Cross Recess Pan Head Thread Forming
CRRHMS	Cross Recess Round Head Machine Screw
CRTHMS	Cross Recess Truss Head Machine Screw
CSNB	Countersunk Square Neck Bolt
FHMS	Flat Head Machine Screw
FTC	Full Thread Cap Screw
H	Hex Nut
HCLN	Hex Center Lock Nut
HFLCS	Hex Flange Lock Cap Screw
HFS	Hex Flange Screw
HFSLN	Hex Flange Serrated Lock Nut
HFSS	Hex Flange Serrated Screw
HHCS	Hex Head Cap Screw or Metric Bolt
HSBHCS	Hex Socket Button Head Cap Screw
HSFCHCS	Hex Socket Flat Countersunk Head Cap Screw
HSHCS	Hex Socket Head Cap Screw
HSSS	Hex Socket Head Screw
HTLN	Hex Top Lock Nut
HWHCS	Hex Washer Head Cap Screw

HWHMS	Hex Washer Head Machine Screw
HXBHCS	Hex Socket Button Head Cap Screw
J	Hex Jam Nut
JIC	37 Degree Tapered Thread
L	Helical Spring Lock Washer
LUG	Lug Bolt
NFC	National Fine Cap Screw
NPSM	National Pipe Straight Mechanical
NPTF	National Pipe Taper Fuel
P	Wide Plain Washer
PHMS	Pan Head Machine Screw
PLOW	Plow Bolt
RHMS	Round Head Machine Screw
RHSNB	Round Head Square Neck Bolt
SCREW LEVELING	Leveling Screw
SCREW THUMB	Thumb Screw
SCREW WELD	Weld Screw
SFCHMS	Slotted Flat Countersunk Head Machine Screw
SFHMS	Slotted Fillister Head Machine Screw
SP	Special
SP SCREW	Special Screw
SQHSS	Square Head Set Screw
SRHMS	Slotted Round Head Machine Screw
SSS	Socket Set Screw
STCS	Self Tapping Cap Screw
STHMS	Slotted Truss Head Machine Screw
WHEEL	Wheel Studs and Hub Long Bolts
WING	Wing Bolt

Replacement Hardware

The **Hardware Legend** above lists hardware abbreviations used in the parts list. All bolts and nuts are Grade 5 unless otherwise noted. The use of improper grades of hardware can result in personal injury, damage to equipment, or loss of property.

Colored Replacement Parts

Land Pride offers replacement parts in factory standard colors and also on select models in Green, Orange, Red and Blue. Because of the variety of colors available, special attention must be given to the part number to prevent ordering the wrong replacement part.

A suffix number corresponding to one of the colors below must be added at the end of Land Pride's part number when ordering a replacement part with that color.

81 Green 83 Red
82 Orange 84 Blue

For example, if you are ordering a replacement part with part number 555-555C and the part you need is red, then add the suffix 83 to the end of the number to make the part number read 555-555C83. Parts ordered without a suffix number will be supplied in factory standard colors.

Black Replacement Parts

Some parts are factory standard black and some must be special ordered black. If your part is special ordered black, a second part number with the additional suffix number 85 on the end will be available. In this situation you must order that part with the suffix number for it to be black. Parts that are factory standard black will not have the suffix number.

Part Number Service Coding

Within the parts list some part numbers are coded for revisions and interchangeability. See notations in revision column.

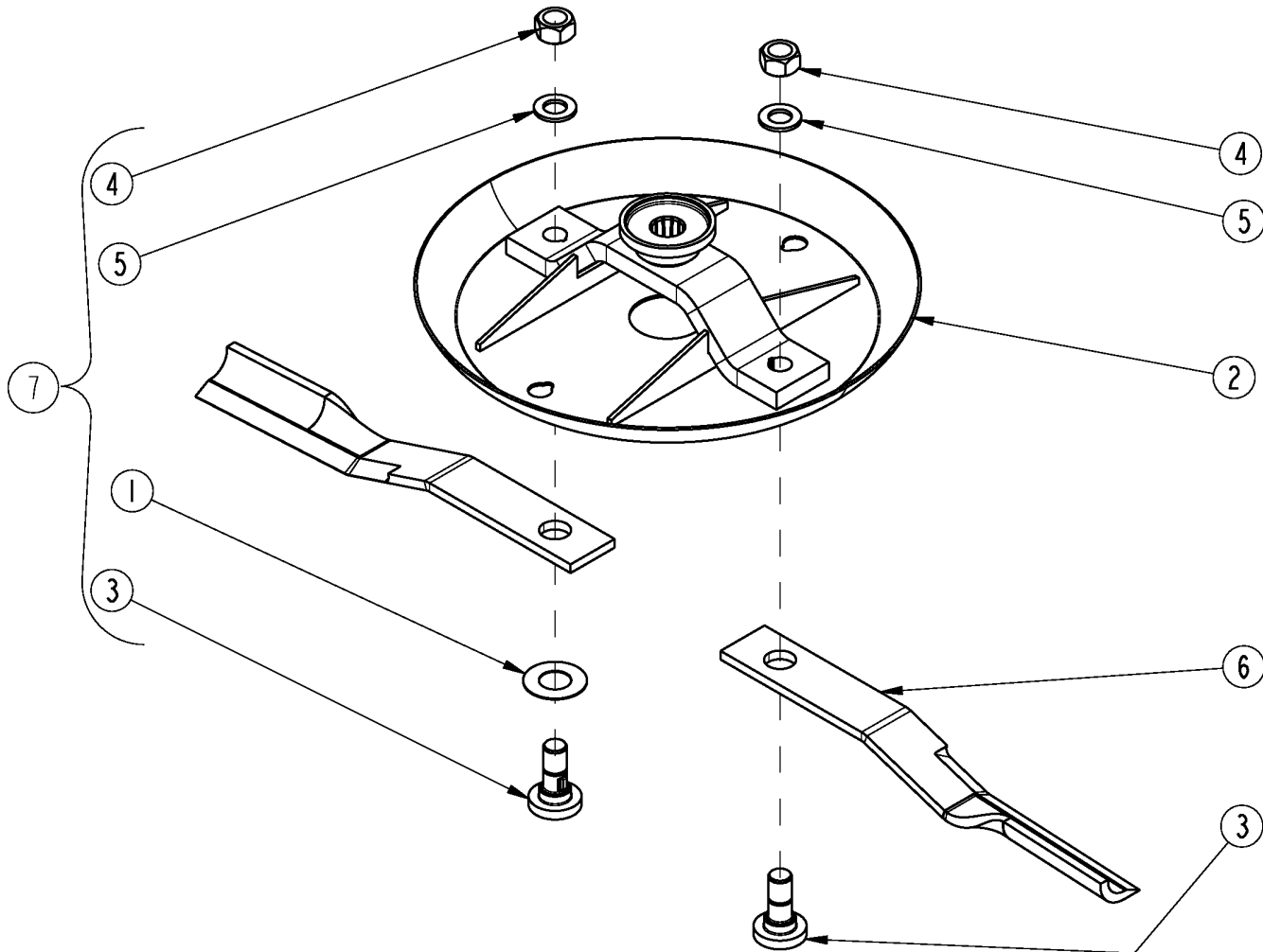
Serial Numbers

Always use the serial and model number when ordering parts. Refer to the Operator's Manual for serial number plate location.

- (S/N 20001+) Includes serial numbers 20001 and above (to the latest number)
- (S/N 10001 to 20000) Includes serial numbers between and including 10001 and 20000
- (S/N 10000-) Includes serial numbers 10000 and below (to the earliest number)

Blade Carrier SN 875273-

Applies to RC2512 S/N 945550-



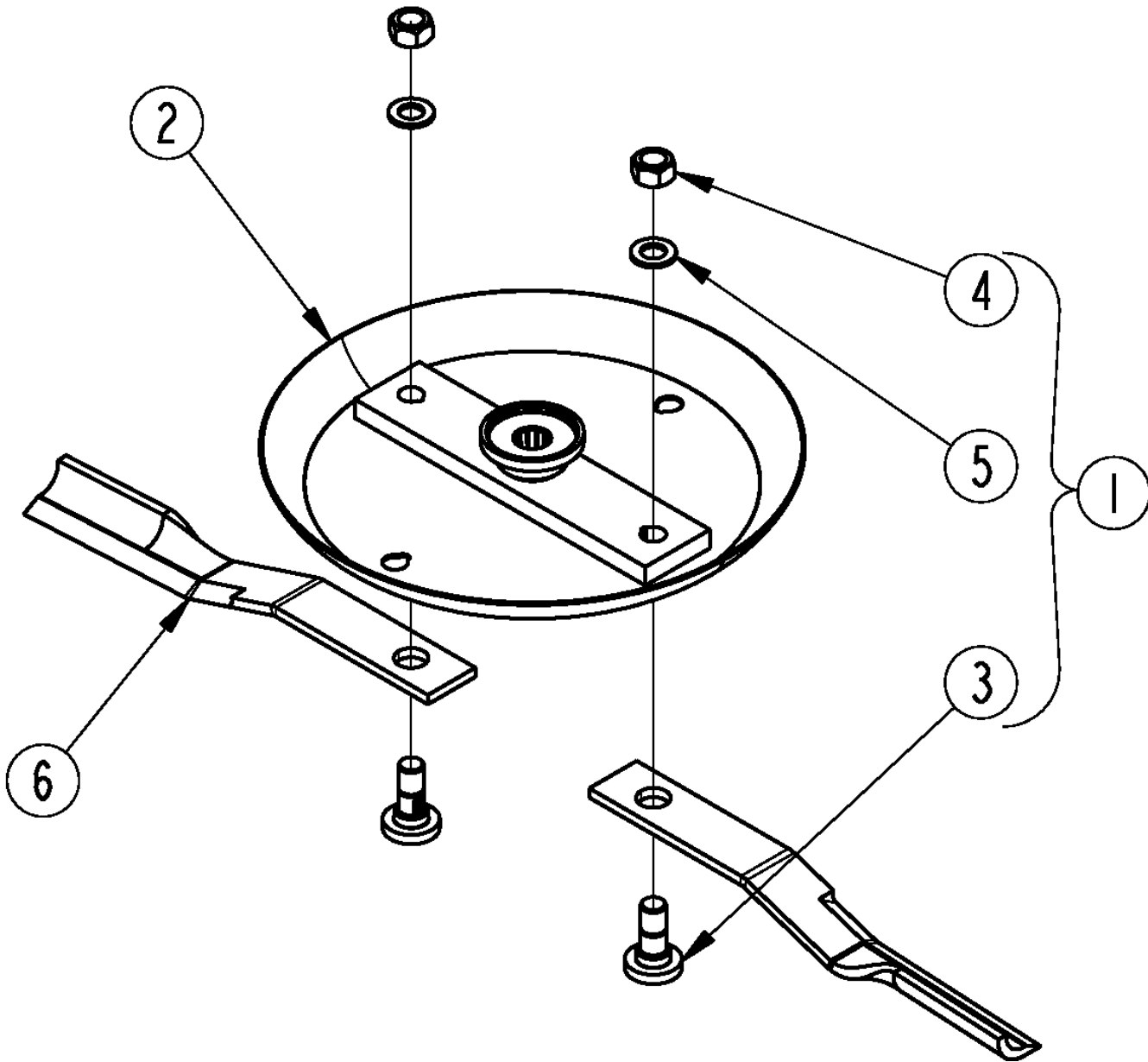
30603

Blade Carrier SN 875273-**Applies to RC2512 S/N 945550-**

Ref	Part No.	Part Description	Comments	Revision
	dwg30603	Drawing Image Number		
1.	312-075D	BLADE SPACER 16 GA .064 Thick	As Required S/N 776426-	
2.	330-785H	BLADE CARRIER 15" SM COMER HUB	All Decks S/N 875273-	
3.	802-277C	BLD BLT 1 1/8-12X3.44 W/.25KEY		
4.	803-170C	NUT HEX TOP LOCK 1 1/8-12 PLT.		
5.	804-147C	WASHER FLAT 1 HARD ASTMF436 PN		
6.	820-198C	CUTTER BLADE 1/2 X3X25 CCW	Center Deck	
6.	820-437C	CUTTER BLADE CCW 1/2X3X19	Left Deck	
6.	820-438C	CUTTER BLADE CW 1/2X3X19	Right Deck	
7.	318-586A	BLADE BOLT KIT	Service Part	

Blade Carrier SN 875274+

Applies to RC2512 S/N 945550-, RC2512 SERIES 2 S/N 945551+



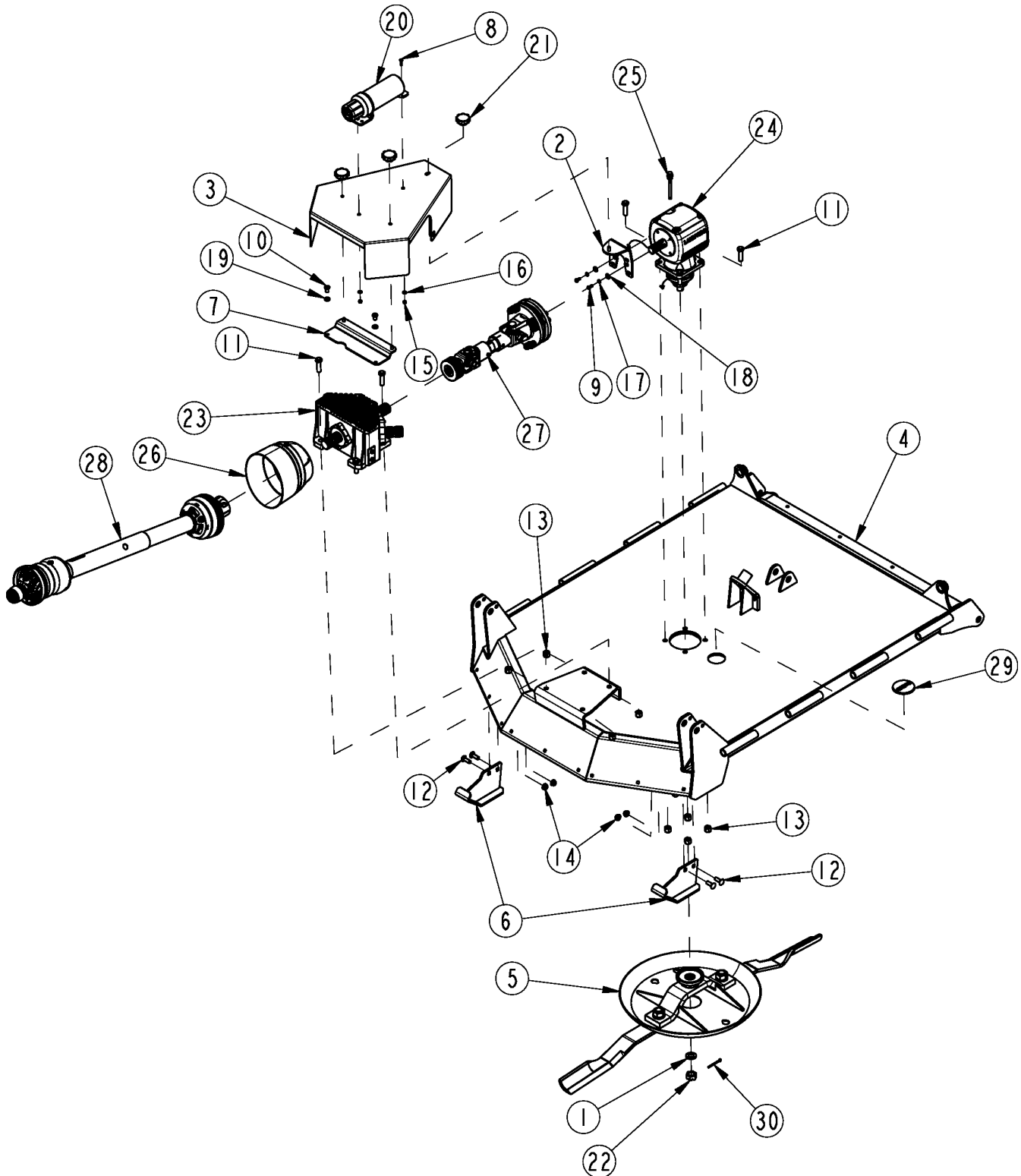
37352

Blade Carrier SN 875274+**Applies to RC2512 S/N 945550-, RC2512 SERIES 2 S/N 945551+**

Ref	Part No.	Part Description	Comments	Revision
	dwg37352	Drawing Image Number		
1.	318-586A	BLADE BOLT KIT		
2.	331-068H	DISHPAN 15 CENTERS W/HUB	All Decks S/N 875274+	
3.	802-277C	BLD BLT 1 1/8-12X3.44 W/.25KEY		
4.	803-170C	NUT HEX TOP LOCK 1 1/8-12 PLT		
5.	804-147C	WASHER FLAT 1 HARD ASTM436 PN		
6.	820-198C	CUTTER BLADE 1/2X3X25 CCW	Center Deck S/N 875274+	
6.	820-437C	CUTTER BLADE 1/2X3X19 CCW	Left Deck S/N 875274+	
6.	820-438C	CUTTER BLADE 1/2X3X19 CW	Right Deck S/N 875274+	

Deck Center Section S/N 945550-

Applies to RC2512 S/N 945550-



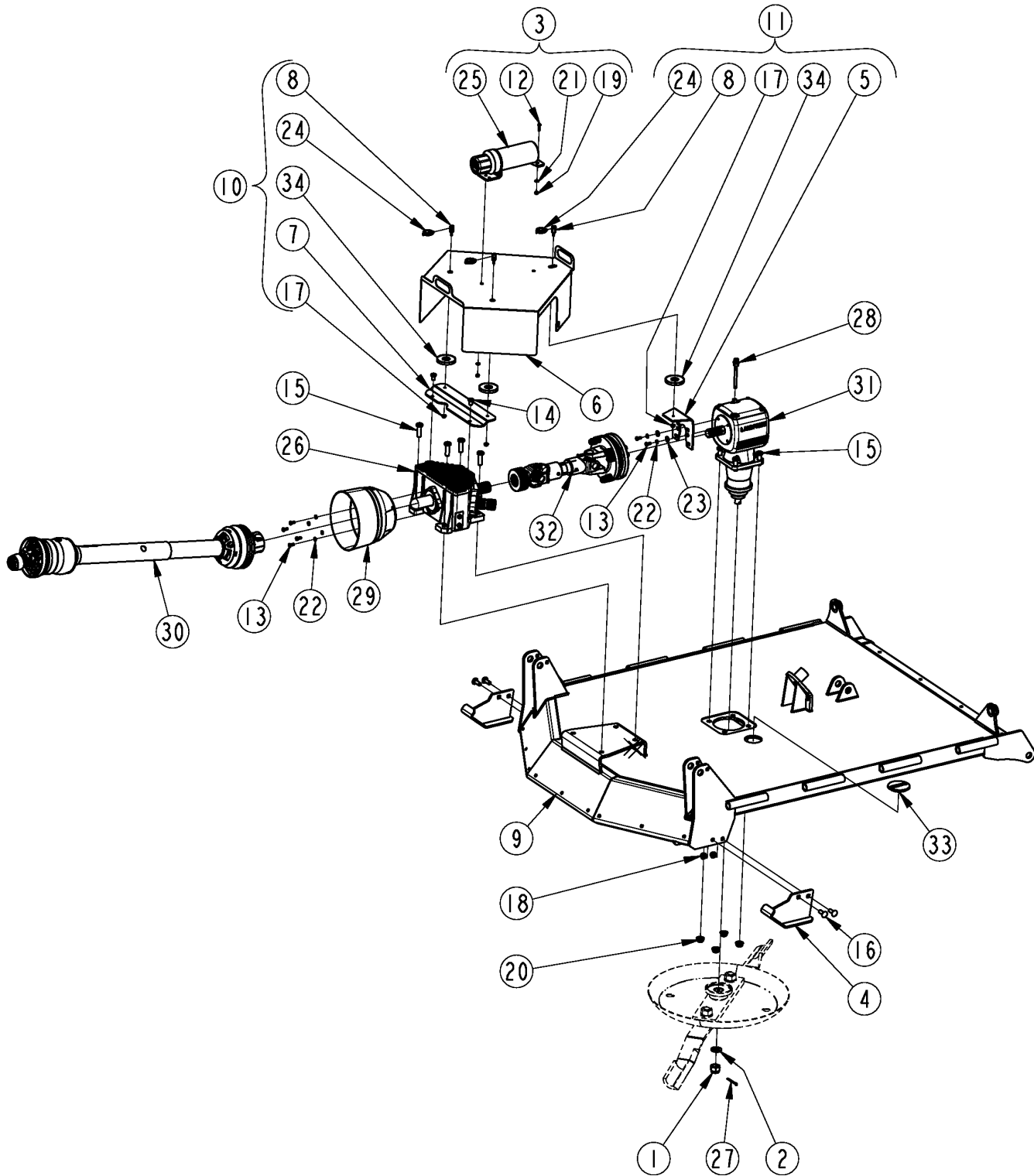
30605

Deck Center Section S/N 945550-**Applies to RC2512 S/N 945550-**

Ref	Part No.	Part Description	Comments	Revision
	dwg30605	Drawing Image Number		
1.	8.3.2.00409	CO FLAT WASHER 25 X 44 X 4		
2.	318-401H	SHIELD BRACKET WELDMENT		
3.	330-316D	GUARD		
4.	330-674H	DECK, CENTER		
4.	330-674H81	DECK, CENTER GREEN		
4.	330-674H82	DECK, CENTER ORANGE		
4.	330-674H83	DECK, CENTER RED		
5.		SEE BLADE CARRIER FOR COMPONENTS		
6.	330-697H	SKID SHOE		
7.	330-778H	BRACKET, SPLITTER SHIELD		
8.	802-005C	HHCS 1/4-20X1 GR5		
9.	802-007C	HHCS 5/16-18X3/4 GR5		
10.	802-032C	HHCS 1/2-13X3/4 GR5		
11.	802-057C	HHCS 5/8-11X2 1/4 GR5		
12.	802-106C	RHSNB 1/2-13X1 1/2 GR5		
13.	803-148C	NUT HEX NYLOCK 5/8-11 PLT		
14.	803-169C	NUT HEX FLG LOCK 1/2-13 PLT		
15.	803-255C	NUT HEX NYLOCK 1/4-20		
16.	804-007C	WASHER FLAT 1/4 SAE PLT		
17.	804-009C	WASHER LOCK SPRING 5/16 PLT		
18.	804-010C	WASHER FLAT 5/16 USS PLT		
19.	804-015C	WASHER LOCK SPRING 1/2 PLT		
20.	816-481C	MANUAL STORAGE CONTAINER		
21.	817-259C	KNOB 3/8-16 FEMALE THD 2 3/8OD		
22.	8.2.2.00515	CO NUT, CASTLE M24 X 2		
23.	826-280C	DIV. OMNI/CO 540RPM SU	Old Casting S/N 891865- New Casting S/N 891866+	
24.	826-774C	GBOX RC25 1.38-6 1:1.92 STD	S/N 875274+	
24.	826-390C	GBOX RC25 1.38-6 1:1.93 STD.	S/N 875273-	
25.	826-491C	COMER U0.209.7101.00 DIPSTICK		
26.	826-519C	SMALL SHAFT CONE W/ACCESS DOOR		
27.	826-665C	DRIVELINE, CENTER W/ CLUTCH		
28.	826-683C	PTO CV 540 NO CLUTCH		
29.	840-273C	PLUG LP 3" ID RUBBER		
30.	826-487C	COMER 8.4.7.00516 COTTER		

Deck Center Section S/N 945551+

Applies to RC2512 SERIES 2 S/N 945551+



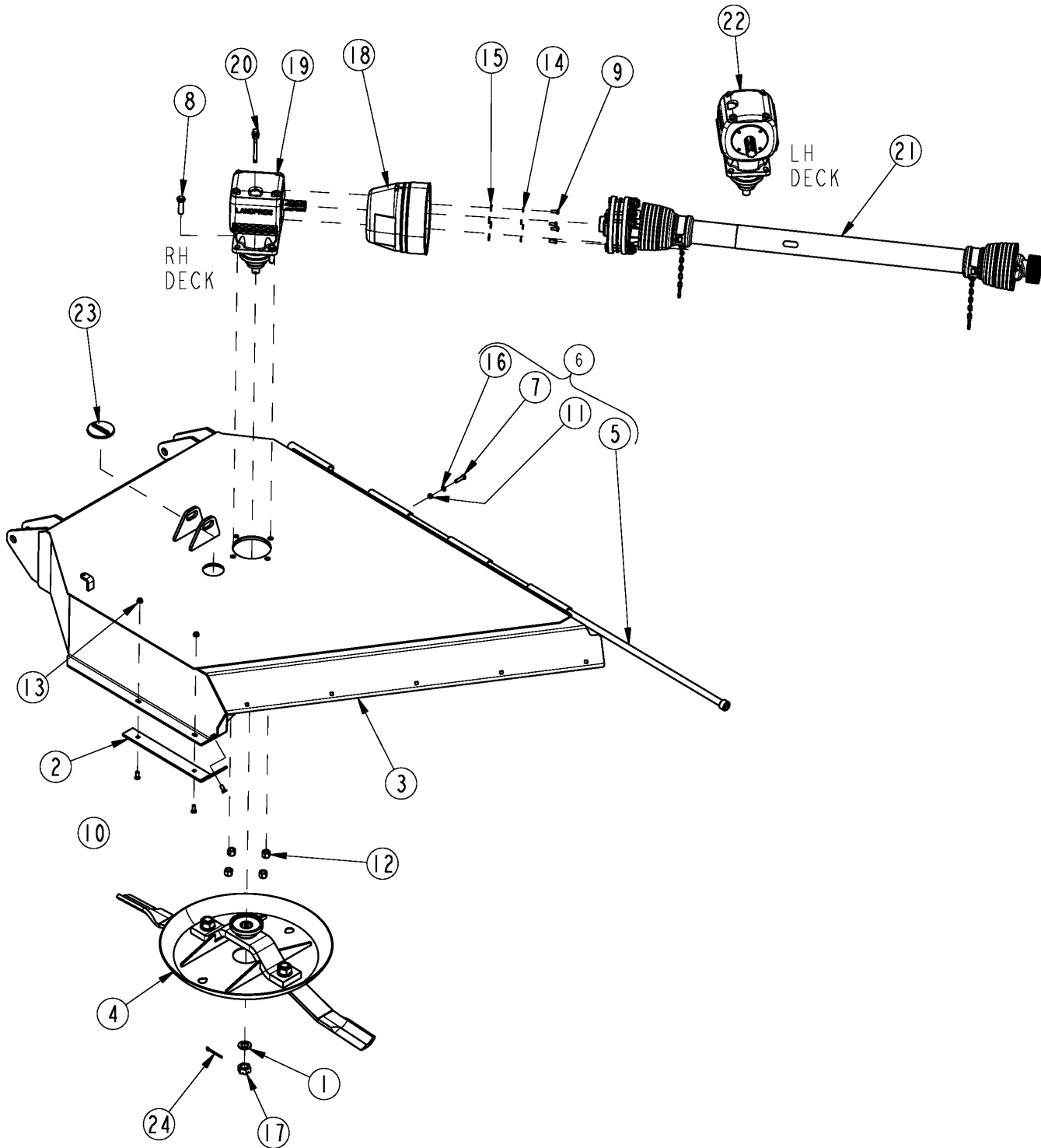
37484

Deck Center Section S/N 945551+**Applies to RC2512 SERIES 2 S/N 945551+**

Ref	Part No.	Part Description	Comments	Revision
	Dwg 37484	Image No.		
1.	82200515	CO NUT, CASTLE M24 X 2		
2.	83200409	RPBY 8.3.2.00409		
3.	318-920S	MANUAL STORAGE CONTANER KIT		
4.	330-697H	SKID SHOE		
5.	331-352D	GUARD MOUNT CENTER GB		
6.	331-353D	GUARD CENTER 12'		
7.	331-355D	GUARD MOUNT SPLITTER		
8.	331-370D	PIN STOP LATCH		
9.	331-837H	DECK, CENTER		
9.	331-837H81	DECK, CENTER GREEN	GREEN	
9.	331-837H82	DECK, CENTER ORANGE	ORANGE	
9.	331-837H83	DECK, CENTER RED	RED	
10.	331-921S	DIV MNT BRCKT W/MAGNETS & CLIP		
11.	331-922S	CNTR MNT BRCKT W/MAGNET & CLIP		
12.	802-005C	HHCS 1/4-20X1 GR5		
13.	802-007C	HHCS 5/16-18X3/4 GR5		
14.	802-032C	HHCS 1/2-13X3/4 GR5		
15.	802-055C	HHCS 5/8-11X2 GR5		
16.	802-106C	RHSNB 1/2-13X1 1/2 GR5		
17.	803-088C	NUT HEX LOCK 1/4-20 FLG		
18.	803-169C	NUT HEX FLG LOCK 1/2-13 PLT		
19.	803-255C	NUT HEX NYLOCK 1/4-20		
20.	803-263C	NUT HEX FLANGE LOCK 5/8-11 PLT	S/N _____+	
20.	803-148C	NUT HEX NYLOCK 5/8-11 PLT	S/N _____-	
21.	804-007C	WASHER FLAT 1/4 SAE PLT		
22.	804-009C	WASHER LOCK SPRING 5/16 PLT		
23.	804-010C	WASHER FLAT 5/16 USS PLT		
24.	805-126C	PIN LINCH 1/4 X 1 3/4 PLT		
25.	816-481C	MANUAL STORAGE CONTAINER		
26.	826-280C	DIV. SD/CO 540RPM SU		
27.	826-487C	COMER 8.4.7.00516 COTTER		
28.	826-491C	COMER U0.209.7101.00 DIPSTICK		
29.	826-519C	SMALL SHAFT CONE W/ACCESS DOOR		
30.	826-683C	PTO CV 540 NO CLUTCH		
31.	826-774C	GBOX RC25 1.38-6 1:1.92 STD		
32.	826-813C	DRIVELINE, CENTER W/ CLUTCH		
33.	840-273C	PLUG LP 3" ID RUBBER		
34.	891-282C	MAGNET, 3 3/16 OD X 57LB		

Deck Wing Section S/N 945550-

Applies to RC2512 S/N 945550-



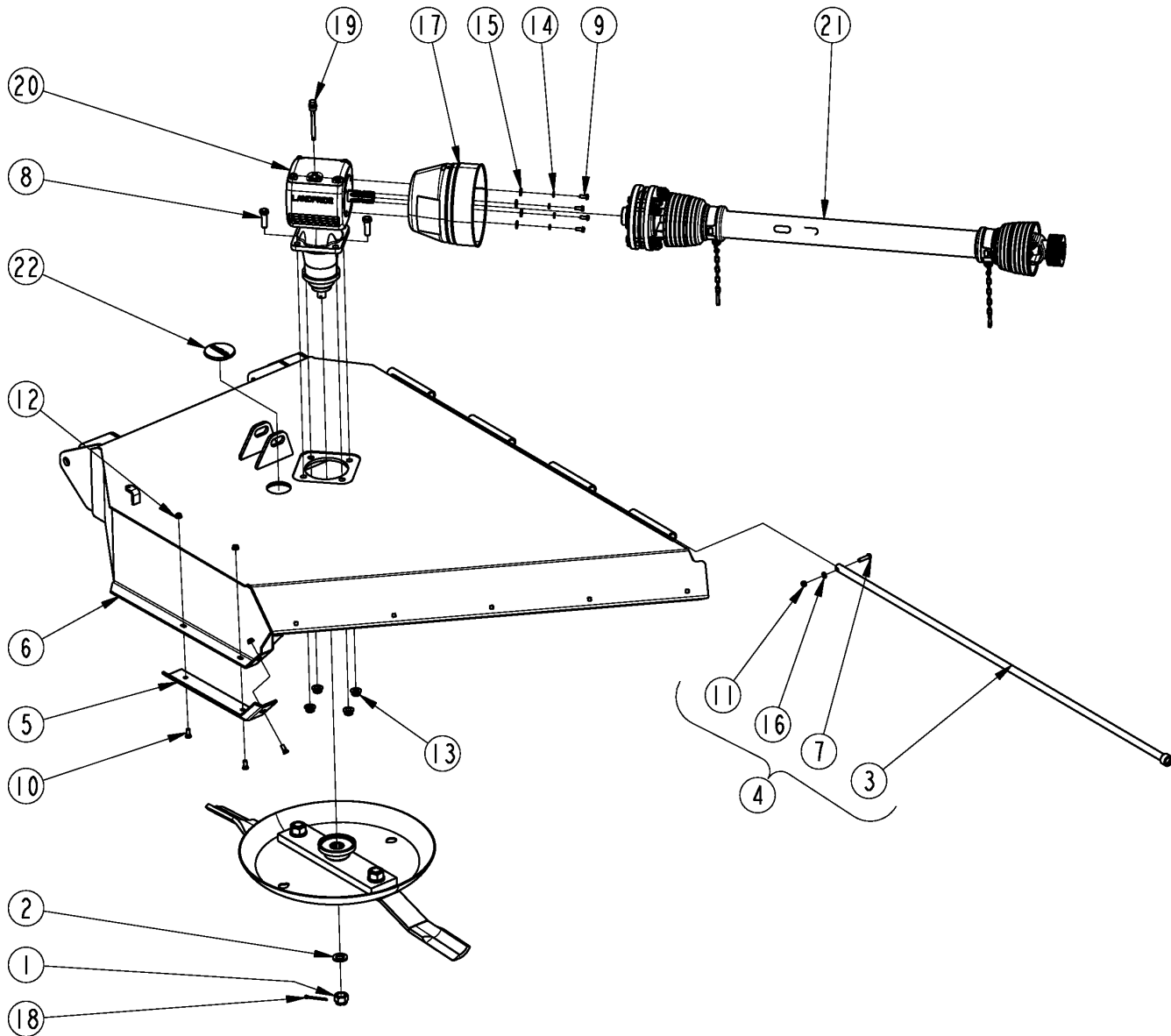
30606

Deck Wing Section S/N 945550-**Applies to RC2512 S/N 945550-**

Ref	Part No.	Part Description	Comments	Revision
	dwg30606	Drawing Image Number		
1.	8.3.2.00409	CO FLAT WASHER 25 X 44 X 4		
2.	312-602D	SKID SHOE		
3.	330-675H	DECK, WING RH		
3.	330-675H81	DECK, WING RH GREEN		
3.	330-675H82	DECK, WING RH ORANGE		
3.	330-675H83	DECK, WING RH RED		
3.	330-676H	DECK, WING LH		
3.	330-676H81	DECK, WING LH GREEN		
3.	330-676H82	DECK, WING LH ORANGE		
3.	330-676H83	DECK, WING LH RED		
4.		SEE BLADE CARRIER FOR COMPONENTS		
5.	330-698H	HINGE ROD		
6.	330-723L	ASSY HINGE ROD		
7.	802-022C	HHCS 3/8-16X1 1/2 GR5		
8.	802-057C	HHCS 5/8-11X2 1/4 GR5		
9.	802-314C	HHCS M8X1.25X20 GR8.8		
10.	802-603C	PLOW 3/8-16X1 GR5		
11.	803-014C	NUT HEX 3/8-16 PLT		
12.	803-148C	NUT HEX NYLOCK 5/8-11 PLT		
13.	803-198C	NUT HEX WHIZ 3/8-16 PLT		
14.	804-009C	WASHER LOCK SPRING 5/16 PLT		
15.	804-010C	WASHER FLAT 5/16 USS PLT		
16.	804-013C	WASHER LOCK SPRING 3/8 PLT		
17.	8.2.2.00515	CO NUT, CASTLE M24 X 2		
18.	826-240C	SMALL SHAFT CONE W ACCESS DOOR		
19.	826-774C	GBOX RC25 1.38-6 1:1.92 STD	RH Deck S/N 875274+	
19.	826-390C	GBOX RC25 1.38-6 1:1.93 STD.	RH Deck S/N 875273-	
20.	826-497C	COMER VENT #8.6.7.00269		
21.	826-667C	DRIVELINE, WING W/ CLUTCH		
22.	826-775C	GBOX RC25 1.38-6 1:1.92 REV	LH Deck S/N 875274+	
22.	826-677C	GBOX RC25 1.38-6 1:1.93 REV	LH Deck S/N 875273-	
23.	840-273C	PLUG LP 3" ID RUBBER		
24.	826-487C	COMER 8.4.7.00516 COTTER		

Deck Wing Section S/N 94551+

Applies to RC2512 SERIES 2 S/N 94551+



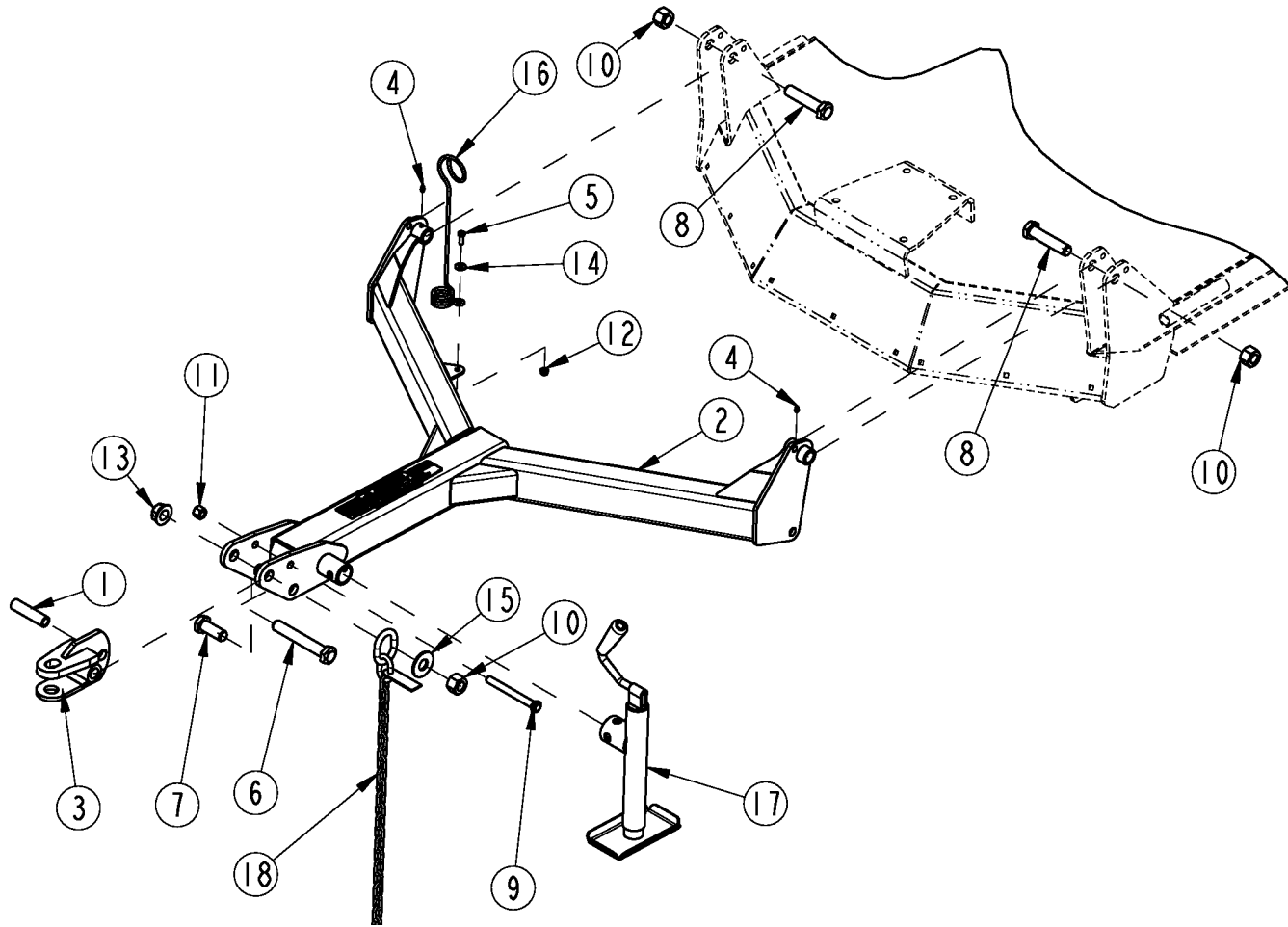
37490

Deck Wing Section S/N 945551+**Applies to RC2512 SERIES 2 S/N 945551+**

Ref	Part No.	Part Description	Comments	Revision
	Dwg 37490	Image No.		
1.	8.2.2.00515	CO NUT, CASTLE M24 X 2		
2.	8.3.2.00409	CO FLAT WASHER 25 X 44 X 4		
3.	330-698H	HINGE ROD		
4.	330-723L	ASSY HINGE ROD		
5.	331-347D	SKID SHOE RH		
5.	331-348D	SKID SHOE LH		
6.	331-845H	DECK, WING RH		
6.	331-845H81	DECK, WING RH GREEN	GREEN UNIT	
6.	331-845H82	DECK, WING RH ORANGE	ORANGE UNIT	
6.	331-845H83	DECK, WING RH RED	RED UNIT	
6.	331-843H	DECK, WING LH		
6.	331-843H81	DECK, WING LH GREEN	GREEN UNIT	
6.	331-843H82	DECK, WING LH ORANGE	ORANGE UNIT	
6.	331-843H83	DECK, WING LH RED	RED UNIT	
7.	802-022C	HHCS 3/8-16X1 1/2 GR5		
8.	802-055C	HHCS 5/8-11X2 GR5		
9.	802-314C	HHCS M8X1.25X20 GR8.8		
10.	802-603C	PLOW 3/8-16X1 GR5		
11.	803-014C	NUT HEX 3/8-16 PLT		
12.	803-198C	NUT HEX WHIZ 3/8-16 PLT		
13.	803-263C	NUT HEX FLANGE LOCK 5/8-11 PLT	S/N _____+	
13.	803-148C	NUT HEX NYLOCK 5/8-11 PLT	S/N _____-	
14.	804-009C	WASHER LOCK SPRING 5/16 PLT		
15.	804-010C	WASHER FLAT 5/16 USS PLT		
16.	804-013C	WASHER LOCK SPRING 3/8 PLT		
17.	826-240C	SMALL SHAFT CONE W ACCESS DOOR		
18.	826-487C	COMER 8.4.7.00516 COTTER		
19.	826-491C	COMER U0.209.7101.00 DIPSTICK		
20.	826-774C	GBOX RC25 1.38-6 1:1.92 STD	RH WING	
20.	826-775C	GBOX RC25 1.38-6 1:1.92 REV	LH WING	
21.	826-814C	DRIVELINE, WING W/ CLUTCH		
22.	840-273C	PLUG LP 3" ID RUBBER		

Hitch Main Frame S/N 945550-

Applies to RC2512 S/N 945550-



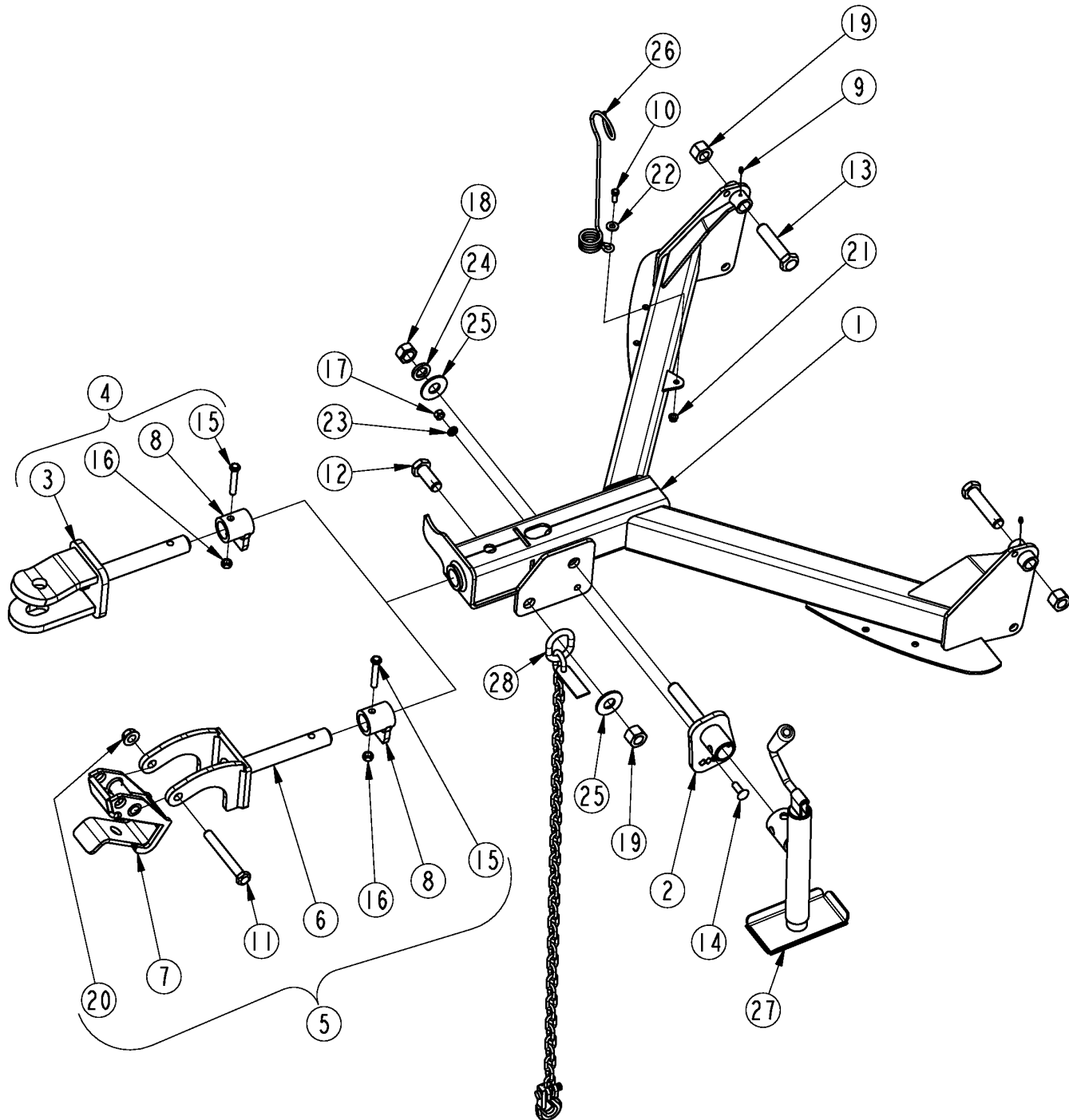
30608

Hitch Main Frame S/N 945550-**Applies to RC2512 S/N 945550-**

Ref	Part No.	Part Description	Comments	Revision
	dwg30608	Drawing Image Number		
1.	330-311D	SPACER HITCH		
2.	330-691H	FRAME HITCH		
3.	331-465H	CLEVIS WELDMENT	S/N 861880+	
3.	330-705H	RPBY 331-465H	S/N 861879-	
4.	800-080C	GREASE ZERK 1/4-28 THD FORMING		
5.	802-017C	HHCS 3/8-16X1 GR5		
6.	802-074C	HHCS 1-8X6 1/2 GR5		
7.	802-096C	HHCS 1-8X2 1/2 GR5		
8.	802-098C	HHCS 1-8X4 1/2 GR5		
9.	802-116C	HHCS 5/8-11X6 GR5		
10.	803-038C	NUT HEX 1-8 NYLON INSERT PLT		
11.	803-148C	NUT HEX NYLOCK 5/8-11 PLT		
12.	803-209C	NUT FLANGE LOCK 3/8-16 PLT		
13.	803-258C	NUT HEX FLG LOCK 1-8 GR B PLT		
14.	804-011C	WASHER FLAT 3/8 USS PLT		
15.	804-028C	WASHER FLAT 1 USS PLT		
16.	807-023C	SPRING HOSE LOOP		
17.	890-118C	SCREW JACK 2000# 14-24 TOP-WND		
18.	891-246C	AG SAFETY CHAIN 6400 LB	S/N 688691+	
18.	890-182C	SAFETY CHAIN 10000 LB	S/N 688690-	

Hitch Main Frame S/N 94551+

Applies to RC2512 SERIES 2 S/N 94551+



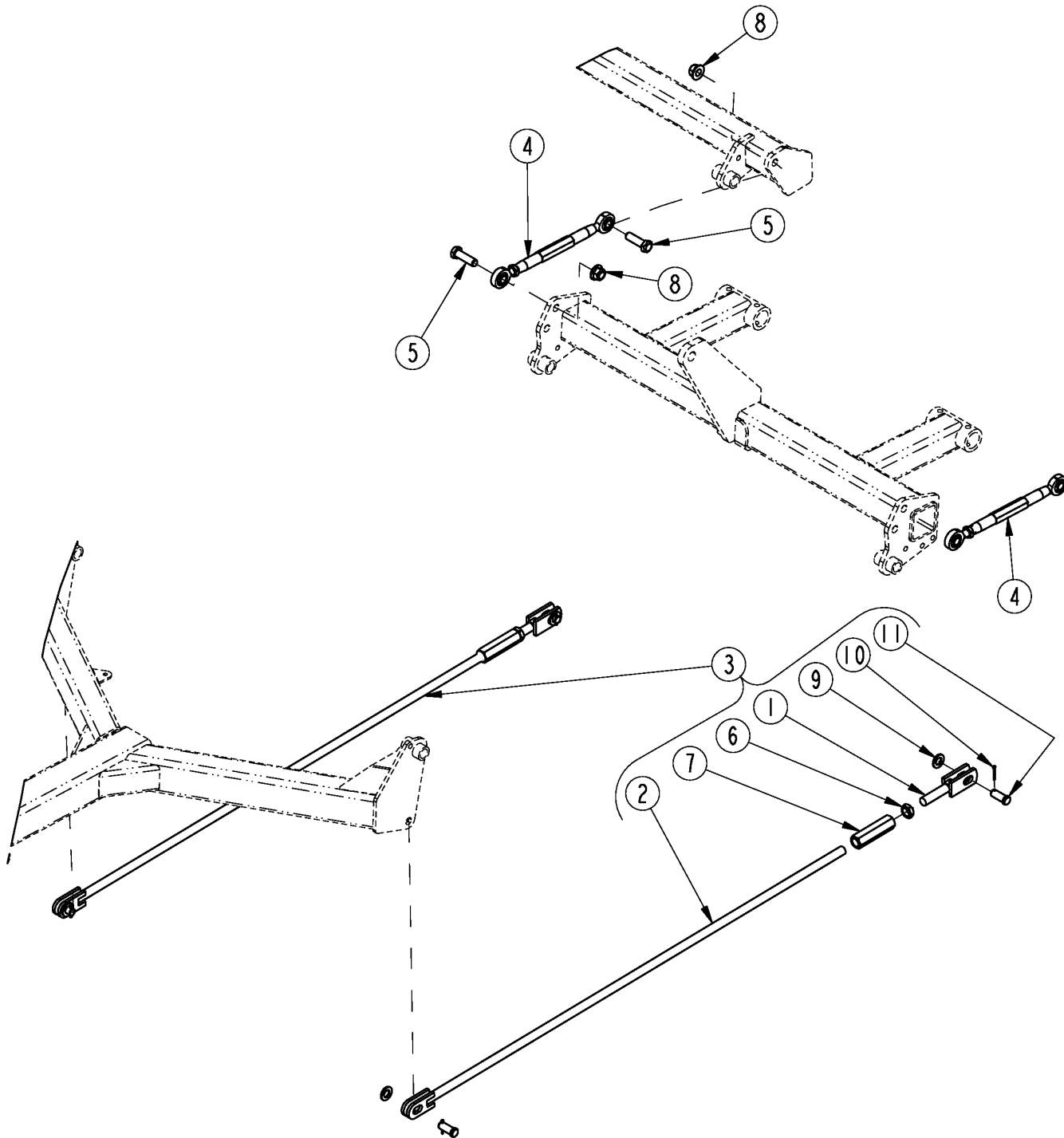
37485

Hitch Main Frame S/N 945551+**Applies to RC2512 SERIES 2 S/N 945551+**

Ref	Part No.	Part Description	Comments	Revision
	Dwg 37485	Image No.		
1.	331-839H	FRAME HITCH		
2.	331-885H	ADJUSTABLE JACK MOUNT LG BLT		
3.	334-004H	SWIVEL CLEVIS STRAIGHT		
4.	334-006A	SWIVEL CLEVIS		
5.	334-007A	HITCH SELF LEVELING		
6.	334-049H	HITCH SELF LEVELING 1.5D SHFT		
7.	334-050H	HITCH CLEVIS SELF LEVELING		
8.	334-066H	BSHG HITCH LOCK/STOP 1.56 ID		
9.	800-001C	GREASE ZERK STRAIGHT 1/4-28	S/N_____+	
9.	800-080C	GREASE ZERK 1/4-28 THD FORMING	S/N_____ -	
10.	802-017C	HHCS 3/8-16X1 GR5		
11.	802-070C	HHCS 3/4 - 10X6 GR5		
12.	802-096C	HHCS 1-8X2 1/2 GR5		
13.	802-098C	HHCS 1-8X4 1/2 GR5		
14.	802-106C	RHSNB 1/2-13X1 1/2 GR5		
15.	802-365C	HHCS 1/2-13X3 GR8		
16.	803-019C	NUT LOCK 1/2-13 PLT		
17.	803-020C	NUT HEX 1/2-13 PLT		
18.	803-031C	NUT HEX 1-8 PLT		
19.	803-038C	NUT HEX 1-8 NYLON INSERT PLT		
20.	803-181C	NUT HEX FLANGE LOCK 3/4 - 10 PLT		
21.	803-209C	NUT FLANGE LOCK 3/8-16 PLT		
22.	804-011C	WASHER FLAT 3/8 USS PLT		
23.	804-015C	WASHER LOCK SPRING 1/2 PLT		
24.	804-027C	WASHER LOCK SPRING 1 PLT		
25.	804-028C	WASHER FLAT 1 USS PLT		
26.	807-023C	SPRING HOSE LOOP		
27.	890-118C	SCREW JACK 2000# 14-24 TOP-WND		
28.	891-246C	AG SAFETY CHAIN 6400 LB		

Leveling Rod & Wing Turnbuckle

Applies to RC2512 S/N 945550-, RC2512 SERIES 2 S/N 945551+



30611

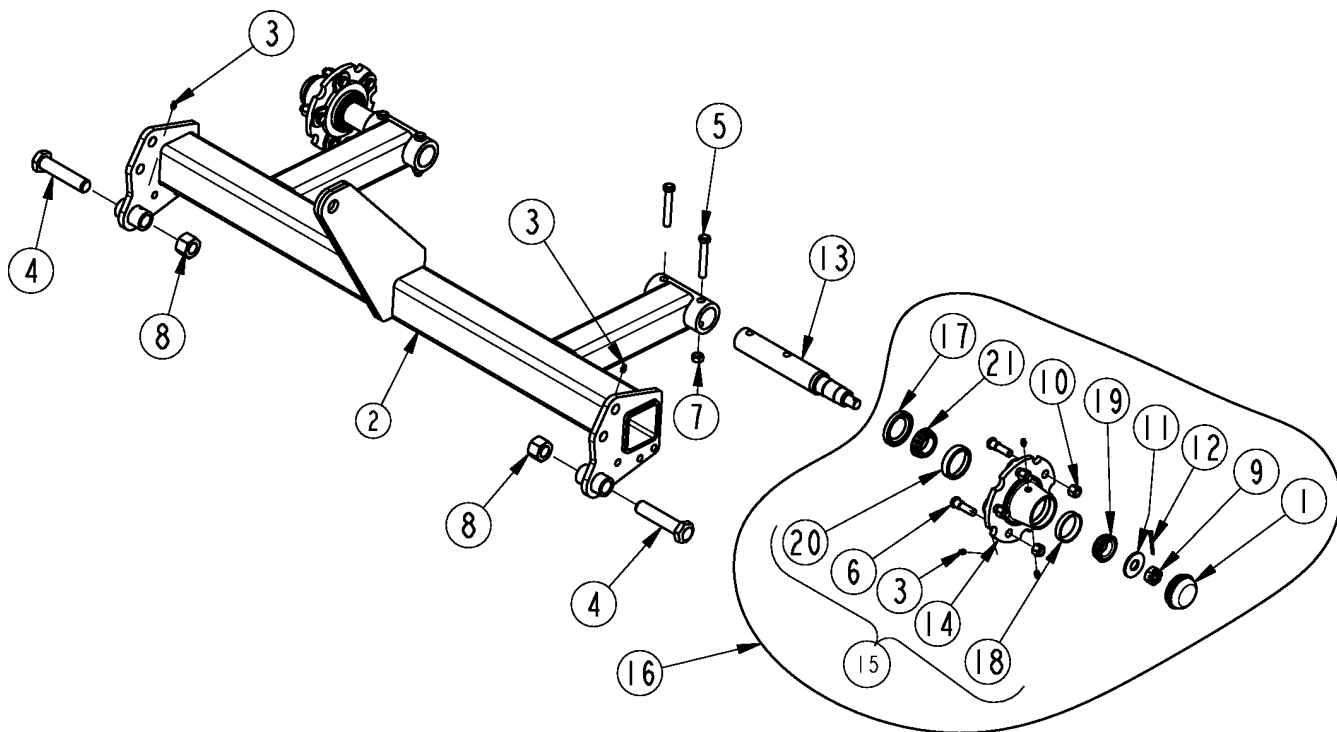
Leveling Rod & Wing Turnbuckle

Applies to RC2512 S/N 945550-, RC2512 SERIES 2 S/N 945551+

Ref	Part No.	Part Description	Comments	Revision
	dwg30611	Drawing Image Number		
1.	318-008H	WLDMT. LEVEL ROD SHORT		
2.	330-706H	WLDMT LEVEL ROD LONG		
3.	330-707K	ASSY LEVEL ROD		
4.	330-736S	TURNBUCKLE ASY, 3/4 BORE		
5.	802-212C	HHCS 3/4-10X2 1/2 GR5		
6.	803-075C	NUT HEX JAM 7/8-9		
7.	803-265C	NUT HEX COUPLER 7/8-9 x 5		
8.	803-299C	NUT HEX FLG TOP LK 3/4-10 PLT		
9.	804-025C	WASHER FLAT 3/4 SAE PLT		
10.	805-045C	PIN COTTER 5/32 X 1 1/4 LG		
11.	805-083C	PIN CLEVIS 3/4 X 1 1/2		

Axle Center

Applies to RC2512 S/N 945550-, RC2512 SERIES 2 S/N 945551+



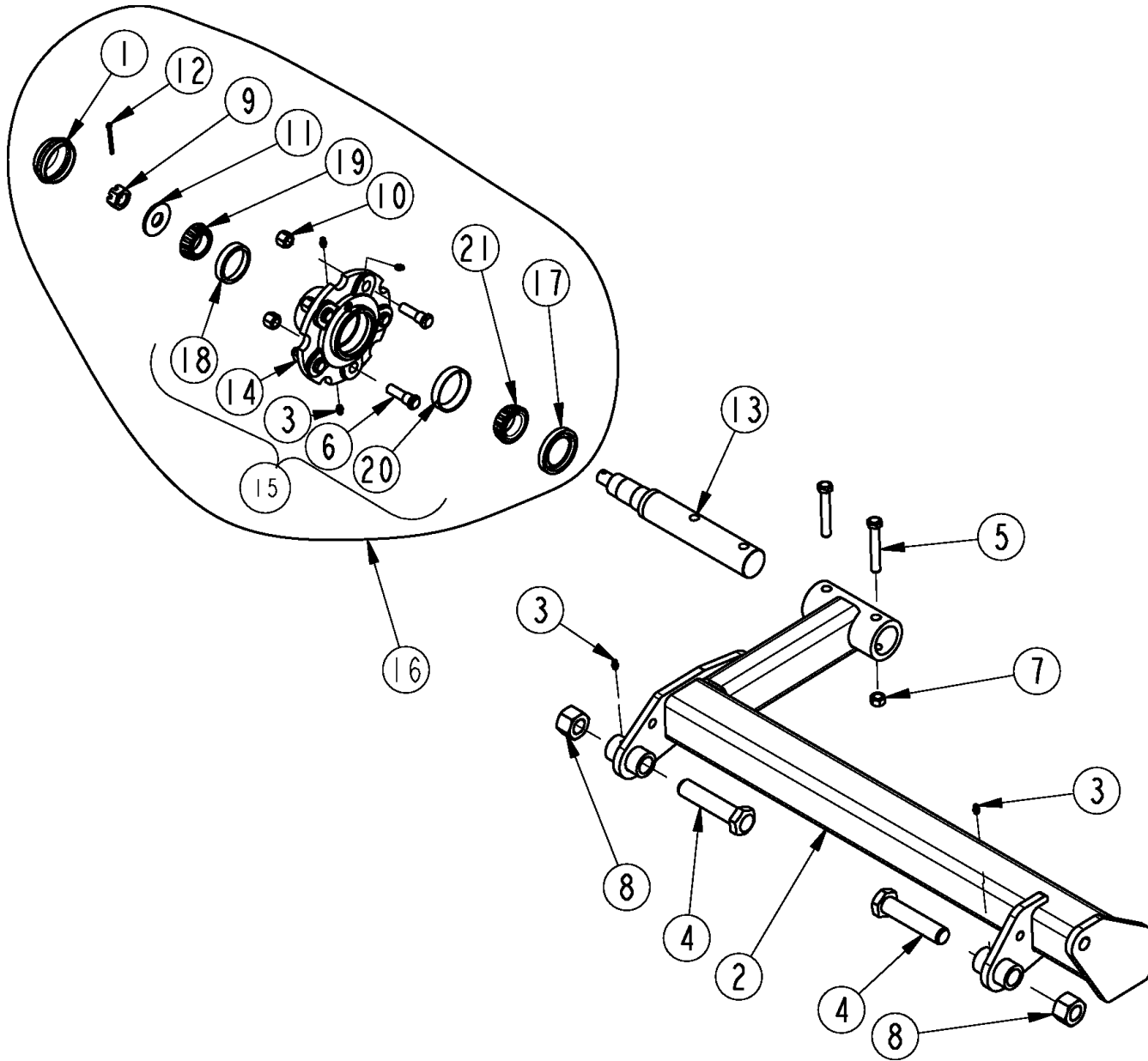
30609

Axle Center**Applies to RC2512 S/N 945550-, RC2512 SERIES 2 S/N 945551+**

Ref	Part No.	Part Description	Comments	Revision
	dwg30609	Drawing Image Number		
1.	200-001D	HUB GREASE CAP		
2.	330-677H	AXLE CENTER		
3.	800-001C	GREASE ZERK STRAIGHT 1/4-28	S/N_____+	
3.	800-080C	GREASE ZERK 1/4-28 THD FORMING	S/N_____ -	
4.	802-098C	HHCS 1-8X4 1/2 GR5		
5.	802-099C	HHCS 1/2-13X3 1/4 GR5		
6.	802-779C	HUB STUD 1/2-20X1.88 GR5		
7.	803-019C	NUT LOCK 1/2-13 PLT		
8.	803-038C	NUT HEX 1-8 NYLON INSERT PLT		
9.	803-053C	NUT HEX SLOTTED 3/4-16		
10.	803-310C	NUT HEX 1/2-20 X 5/8 HIGH		
11.	804-216C	WASHER HARDENED 3/4		
12.	805-246C	PIN COTTER 5/32 X 1 3/4 LG		
13.	815-237C	SPINDLE-SINGLE BOLT-ON		
14.	815-242C	HUB 5-BOLT CASTING		
15.	815-243C	HUB 5-BOLT W/CUPS/STUDS		
16.	815-244C	HUB 5-BOLT COMPLETE		
17.	816-497C	SEAL 1.75ID CR17617		
18.	822-020C	BRG CUP LM-67010		
19.	822-021C	BRG CONE 1.25ID LM-67048		
20.	822-033C	BRG CUP LM-48510		
21.	822-034C	BRG CONE LM-48548		

Axle Wing

Applies to RC2512 S/N 945550-, RC2512 SERIES 2 S/N 945551+



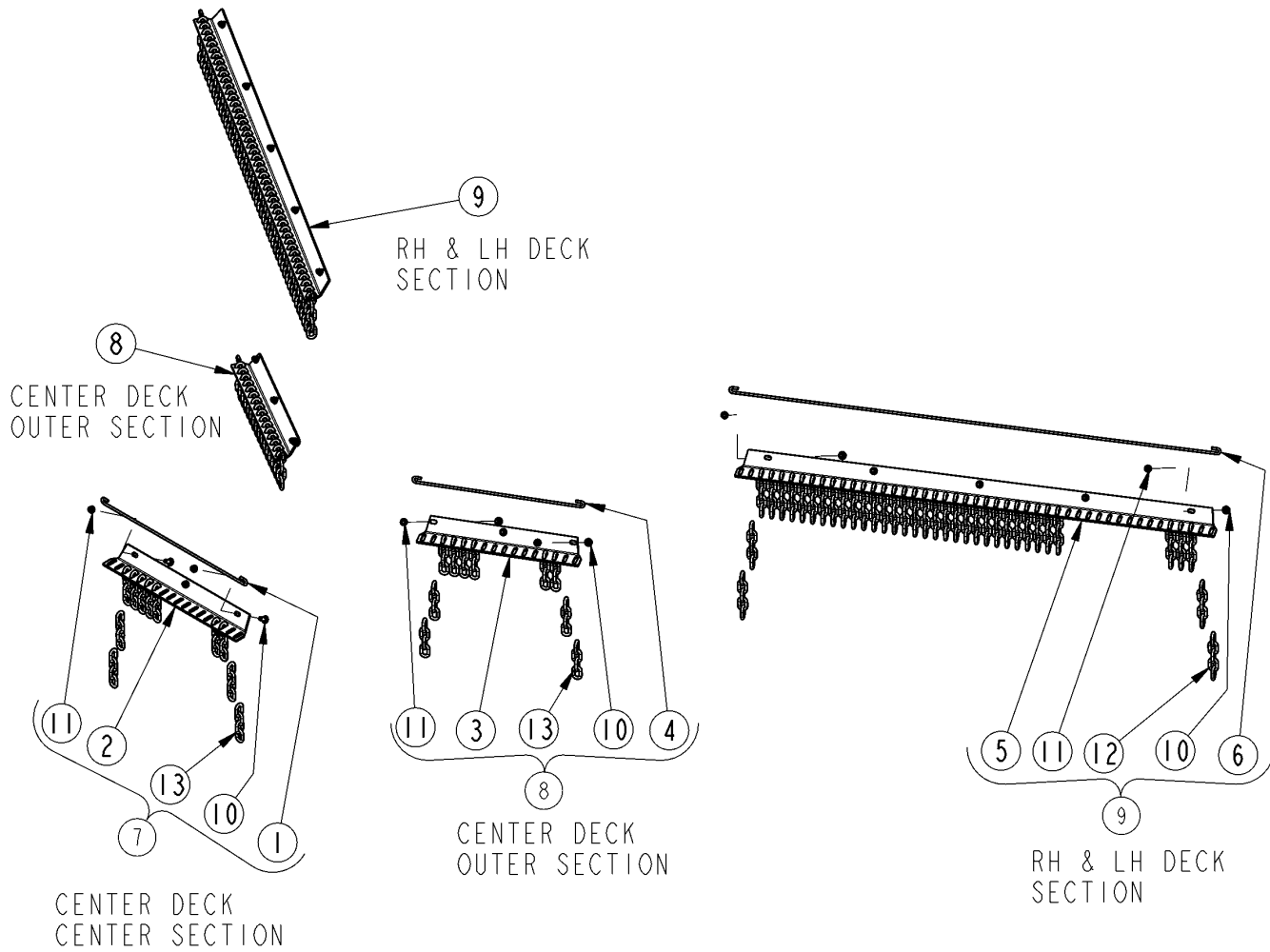
30610

Axle Wing**Applies to RC2512 S/N 945550-, RC2512 SERIES 2 S/N 945551+**

Ref	Part No.	Part Description	Comments	Revision
	dwg30610	Drawing Image Number		
1.	200-001D	HUB GREASE CAP		
2.	330-678H	AXLE WING RH		
3.	800-001C	GREASE ZERK STRAIGHT 1/4-28	S/N_____+	
3.	800-080C	GREASE ZERK 1/4-28 THD FORMING	S/N_____ -	
4.	802-098C	HHCS 1-8X4 1/2 GR5		
5.	802-099C	HHCS 1/2-13X3 1/4 GR5		
6.	802-779C	HUB STUD 1/2-20X1.88 GR5		
7.	803-019C	NUT LOCK 1/2-13 PLT		
8.	803-038C	NUT HEX 1-8 NYLON INSERT PLT		
9.	803-053C	NUT HEX SLOTTED 3/4-16		
10.	803-310C	NUT HEX 1/2-20 X 5/8 HIGH		
11.	804-216C	WASHER HARDENED 3/4		
12.	805-246C	PIN COTTER 5/32 X 1 3/4 LG		
13.	815-237C	SPINDLE-SINGLE BOLT-ON		
14.	815-242C	HUB 5-BOLT CASTING		
15.	815-243C	HUB 5-BOLT W/CUPS/STUDS		
16.	815-244C	HUB 5-BOLT COMPLETE		
17.	816-497C	SEAL 1.75ID CR17617		
18.	822-020C	BRG CUP LM-67010		
19.	822-021C	BRG CONE 1.25ID LM-67048		
20.	822-033C	BRG CUP LM-48510		
21.	822-034C	BRG CONE LM-48548		

Guards Chain Single Row Front S/N 945550-

Applies to RC2512 S/N 945550-



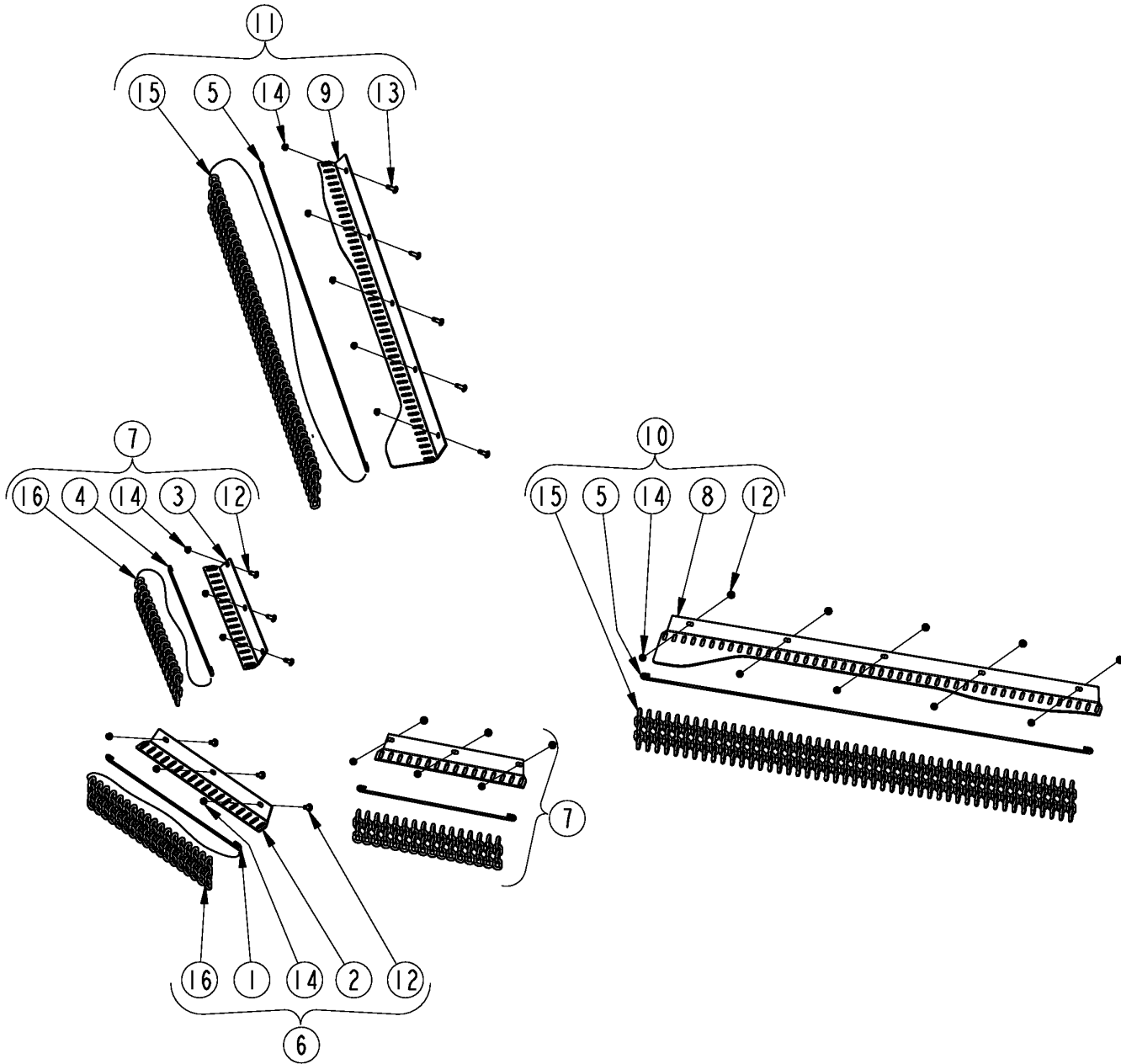
30612

Guards Chain Single Row Front S/N 945550-**Applies to RC2512 S/N 945550-**

Ref	Part No.	Part Description	Comments	Revision
	dwg30612	Drawing Image Number		
1.	318-337D	ROUND ROD 1/4 X 25		
2.	330-301D	BRACKET CHNGRD FRT CTR		
3.	330-302D	BRACKET CHNGRD FRT OUTR		
4.	330-303D	ROUND ROD 1/4 X 22		
5.	330-304D	BRACKET CHNGRD FRT WING		
6.	330-305D	ROUND ROD 1/4 X 58		
7.	330-699K	ASSY CHNGRD FRT CTR INR		
8.	330-700K	ASSY CHNGRD FRT CTR OTR		
9.	330-701K	ASSY CHNGRD FRT WING		
10.	802-015C	RHSNB 3/8-16X1 GR5		
11.	803-198C	NUT HEX WHIZ 3/8-16 PLT		
12.	890-341C	CHAIN WELD 5/16 PROOF X 5 LINK		
13.	890-400C	CHAIN WELD 5/16 PROOF X 4 LINK		

Guards Chain Single Row Front S/N 94551+

Applies to RC2512 SERIES 2 S/N 94551+



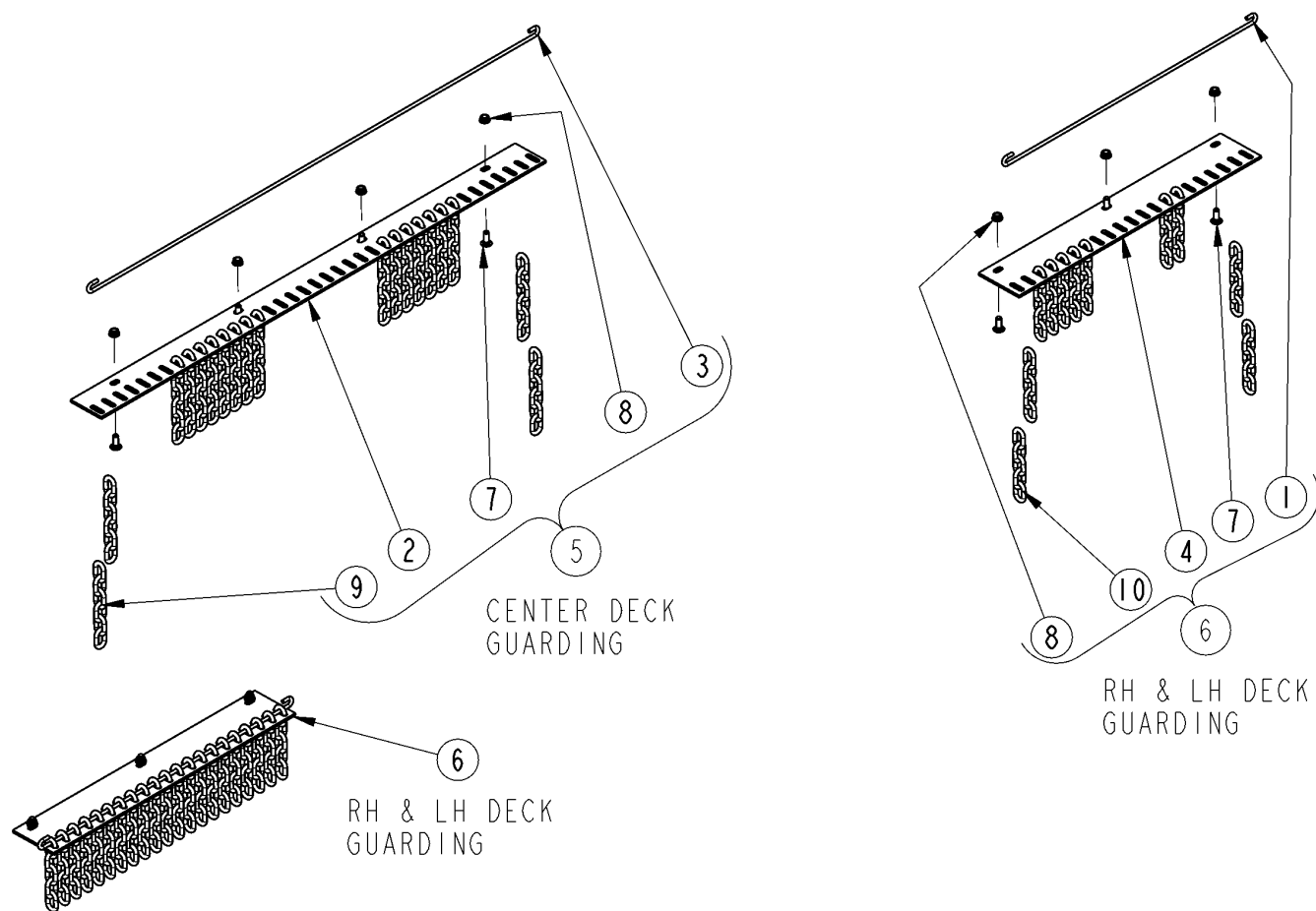
37486

Guards Chain Single Row Front S/N 945551+**Applies to RC2512 SERIES 2 S/N 945551+**

Ref	Part No.	Part Description	Comments	Revision
	Dwg 37486	Image No.		
1.	318-337D	ROUND ROD 1/4 X 25		
2.	330-301D	BRACKET CHNGRD FRT CTR		
3.	330-302D	BRACKET CHNGRD FRT OTR		
4.	330-303D	ROUND ROD 1/4 X 22		
5.	330-305D	ROUND ROD 1/4 X 58		
6.	330-699K	ASSY CHNGRD FRT CTR INR		
7.	330-700K	ASSY CHNGRD FRT CTR OTR		
8.	331-371D	BRACKET CHNGRD FRT LH WING		
9.	331-527D	BRACKET CHGRD FRN RH WING		
10.	331-950K	ASSY CHNGRD FRT WING		
11.	334-073K	ASSY CHN GRD FRT RH WING		
12.	802-015C	RHSNB 3/8-16X1 GR5		
13.	802-155C	RHSNB 3/8-16X1 1/4 GR5		
14.	803-198C	NUT HEX WHIZ 3/8-16 PLT		
15.	890-341C	CHAIN WELD 5/16 GR 43 X 5 LINK		
16.	890-400C	CHAIN WELD 5/16 GR 43 X 4 LINK		

Guards Chain Single Row Rear

Applies to RC2512 S/N 945550-, RC2512 SERIES 2 S/N 945551+



30613

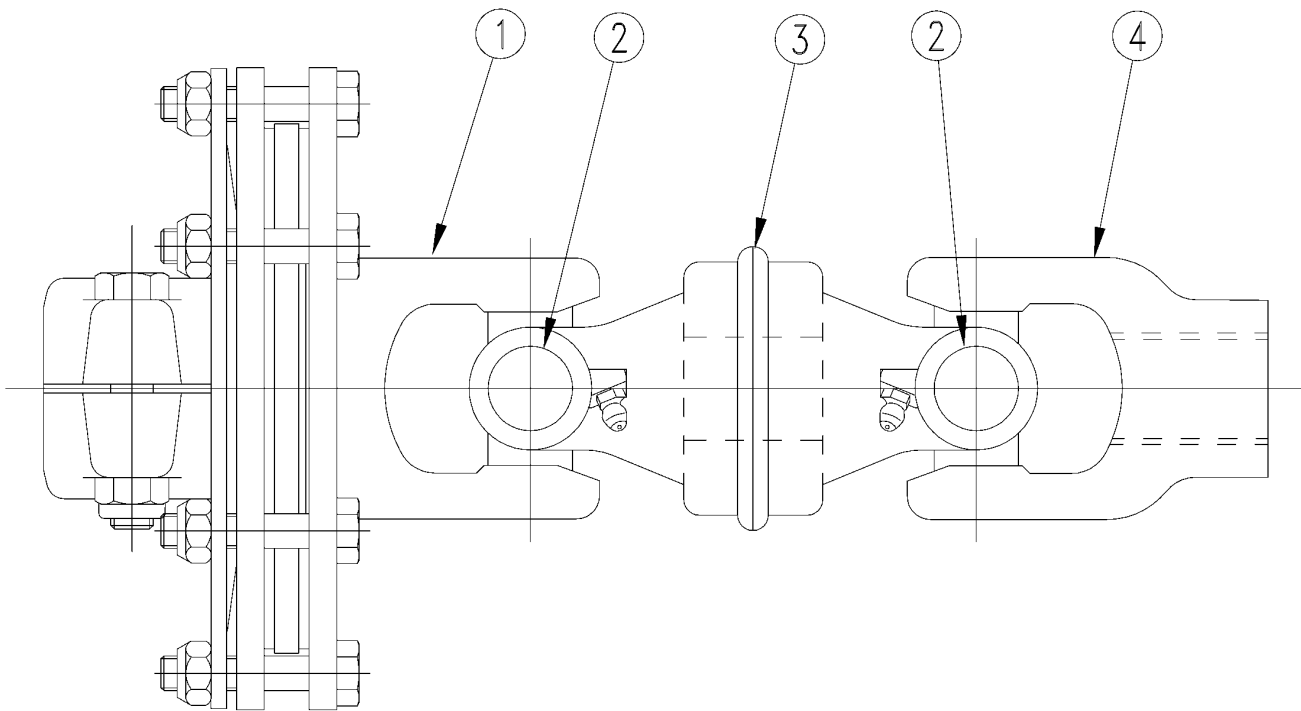
Guards Chain Single Row Rear

Applies to RC2512 S/N 945550-, RC2512 SERIES 2 S/N 945551+

Ref	Part No.	Part Description	Comments	Revision
	dwg30613	Drawing Image Number		
1.	318-264D	ROD 1/4 X 28		
2.	330-307D	BRACKET CHNGRD REAR CTR		
3.	330-308D	ROUND ROD 1/4 X 48		
4.	330-309D	BRACKET CHNGRD REAR WING		
5.	330-703K	ASSY CHNGRD REAR CTR		
6.	330-704K	ASSY CHNGRD REAR WING		
7.	802-015C	RHSNB 3/8-16X1 GR5		
8.	803-198C	NUT HEX WHIZ 3/8-16 PLT		
9.	890-175C	CHAIN 5/16 PROOF X 6 LINKS PLT		
10.	890-341C	CHAIN WELD 5/16 PROOF X 5 LINK		

Driveline Center (826-665C) S/N 944646-

Applies to RC2512 S/N 945550-



30644

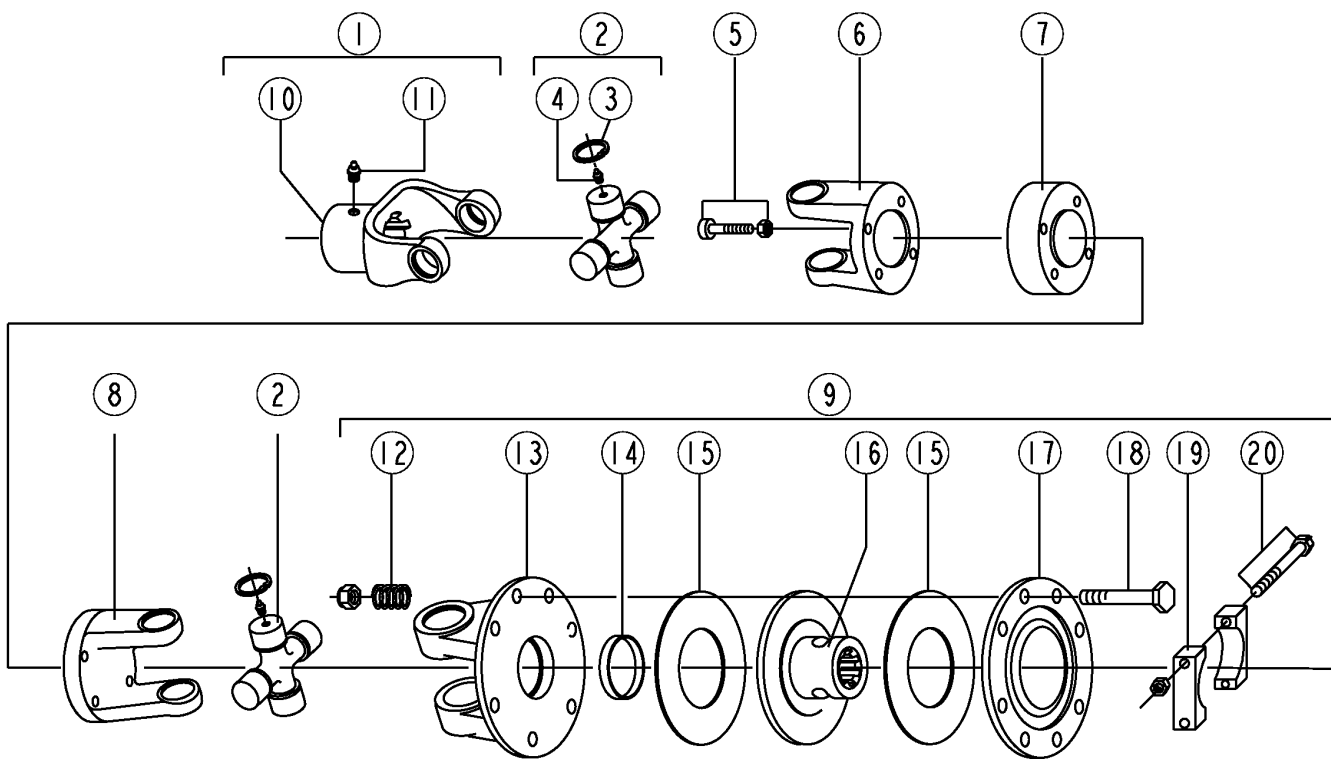
Driveline Center (826-665C) S/N 944646-

Applies to RC2512 S/N 945550-

Ref	Part No.	Part Description	Comments	Revision
	dwg30644	Drawing Image Number		
	826-665C	DRIVELINE, CENTER W/ CLUTCH *		
1.	398468	WS FRICTION CLUTCH		
2.	HM.129	WS CROSS & BEARING KIT		
3.	229524X0	WS DOUBLE YOKE		
4.	398481	WS YOKE 1 3/8"-6 SPL.		

Driveline Center (826-813C) S/N 944647+

Applies to RC2512 S/N 945550-, RC2512 SERIES 2 S/N 945551+

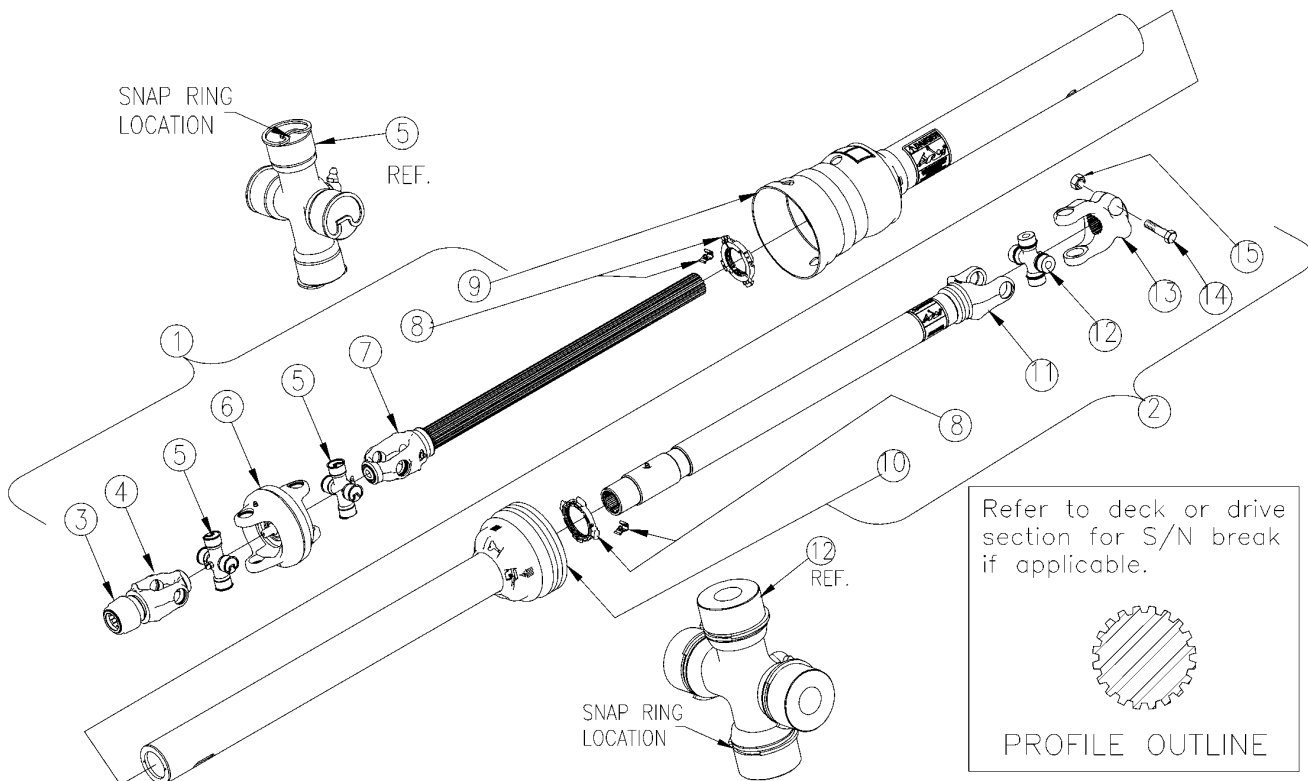


Driveline Center (826-813C) S/N 944647+**Applies to RC2512 S/N 945550-, RC2512 SERIES 2 S/N 945551+**

Ref	Part No.	Part Description	Comments	Revision
	Dwg 37487	Image No.		
	826-813C	DRIVELINE, CENTER W/ CLUTCH		
1.	141.024.757.1	CO SPLINED YOKE 122 W/GRS FTG		
2.	180.014.625	CO CROSS JOURNAL SET		
3.	190.000.031	CO CIRCLIP		
4.	190.000.047	CO GREASE NIPPLE		
5.	165.000.842	CO BOLT & NUT M10X60		
6.	151.014.101.1	CO FLANGED YOKE FEMALE		
7.	151.013.517.1	CO RETAINING WASHER		
8.	151.014.100.1	CO FLANGED YOKE MALE		
9.	146.241.057.1	CO COMPLETE DISC CLUTCH F15		
10.	151.014.757.1	CO SPLINED YOKE		
11.	190.000.020	COMER GREASE FITTING		
12.	180.014.022	COMER SPRING		
13.	151.014.756.1	COMER FLANGED YOKE		
14.	180.019.019	COMER BUSH		
15.	180.015.019	COMER LINING RING		
15.	180.015.377	RPBY 180.015.019		
16.	151.015.424.1	CO CLUTCH SUPPORT F15		
17.	180.015.021.1	CO PRESSURE PLATE		
18.	165.000.501	COMER NUT & BOLT M10X80		
19.	151.014.201	CO COMER BRIDGE		
20.	165.000.622	CO BOLT M14X1.5X100 & NUT		

Driveline CV (826-683C) Weasler

Applies to RC2512 S/N 945550-, RC2512 SERIES 2 S/N 945551+



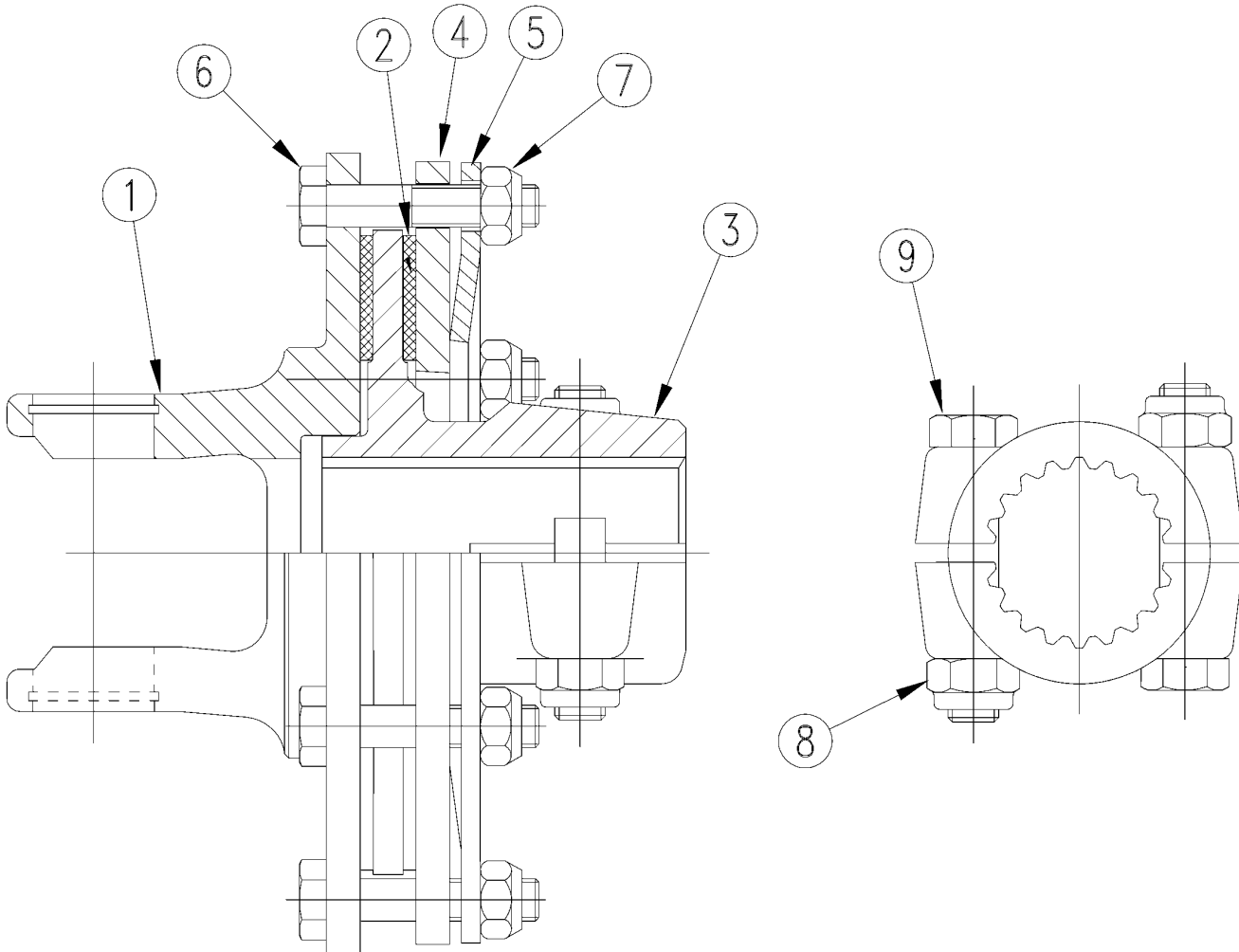
30643

Driveline CV (826-683C) Weasler**Applies to RC2512 S/N 945550-, RC2512 SERIES 2 S/N 945551+**

Ref	Part No.	Part Description	Comments	Revision
	dwg30643	Drawing Image Number		
	826-683C	PTO CV 540 NO CLUTCH *		
1.	93-25452	WE JOINT & SHFT HALF ASM W/GRD		
2.	92-25452	WE JOINT & TUBE HALF ASM W/GRD		
3.	26-15120	WE SSL/AUTO-LOK REPAIR KIT		
4.	86810-1008	WE WWCV AUTO-LOK YOKE ASM		
5.	03-15450	WE AB6/AW22/CAT 4 80DEG CROSS		
6.	26-15159	WE WWCV CENTER HOUSING		
7.	99-25452	WE WWCV YOKE & SHFT (1.31-20)		
8.	19-15134	WE GUARD REPAIR KIT		
9.	97-25452	WE OUTER GUARD		
10.	96-25452	WE INNER GUARD		
11.	98-25452	WE YOKE, TUBE & SLIP SLEEVE		
12.	03-10326	WE 35RBL CROSS KIT		
13.	35141-2397	WE YOKE		
14.	11-20456	WE FLG BOLT, 5/8-11X2.75 GR.8		
15.	803-263C	NUT HEX FLANGE LOCK 5/8-11 PLT		

Driveline Slip Clutch (398468)

Applies to RC2512 S/N 945550-, RC2512 SERIES 2 S/N 945551+



30739

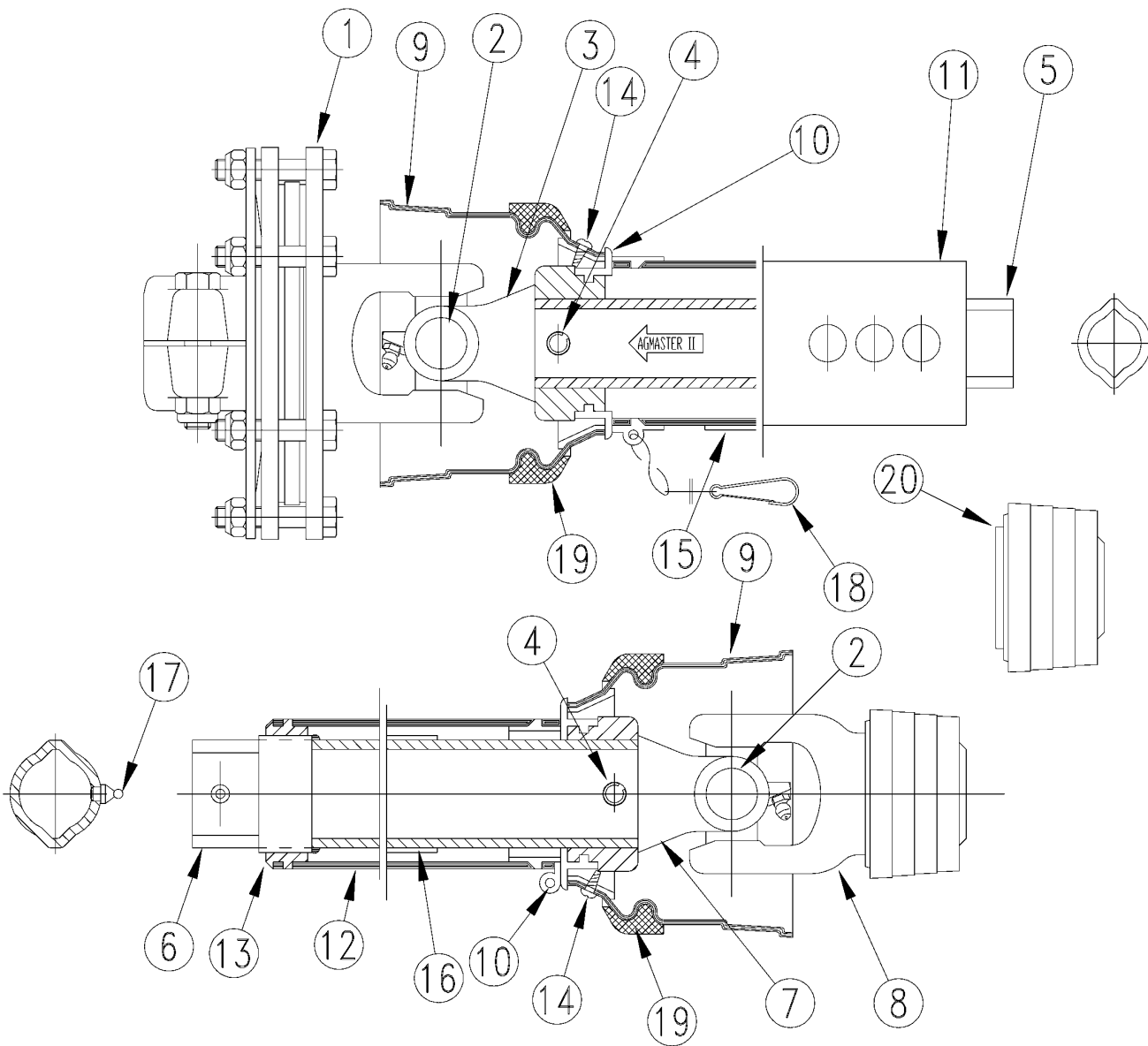
Driveline Slip Clutch (398468)

Applies to RC2512 S/N 945550-, RC2512 SERIES 2 S/N 945551+

Ref	Part No.	Part Description	Comments	Revision
	dwg30739 398468	Drawing Image Number WS FRICTION CLUTCH *		
1.	396669	WS FLANGE YOKE		
2.	168556	WS FRICTION DISK		
3.	135539WS	WS HUB 1 3/4-20 I.C.		
4.	391350	WS THRUST PLATE		
5.	392728	WS BELLEVILLE SPRING		
6.	020452	WS HEX BOLT M10X50		
7.	803-280C	NUT HEX NYLOCK M10X1.5 PLT		
8.	301.005	COSMO NUT HEX		
9.	020467	WS HEX BOLT M12X65		

Driveline Wing (826-667C) S/N 945004-

Applies to RC2512 S/N 945550-

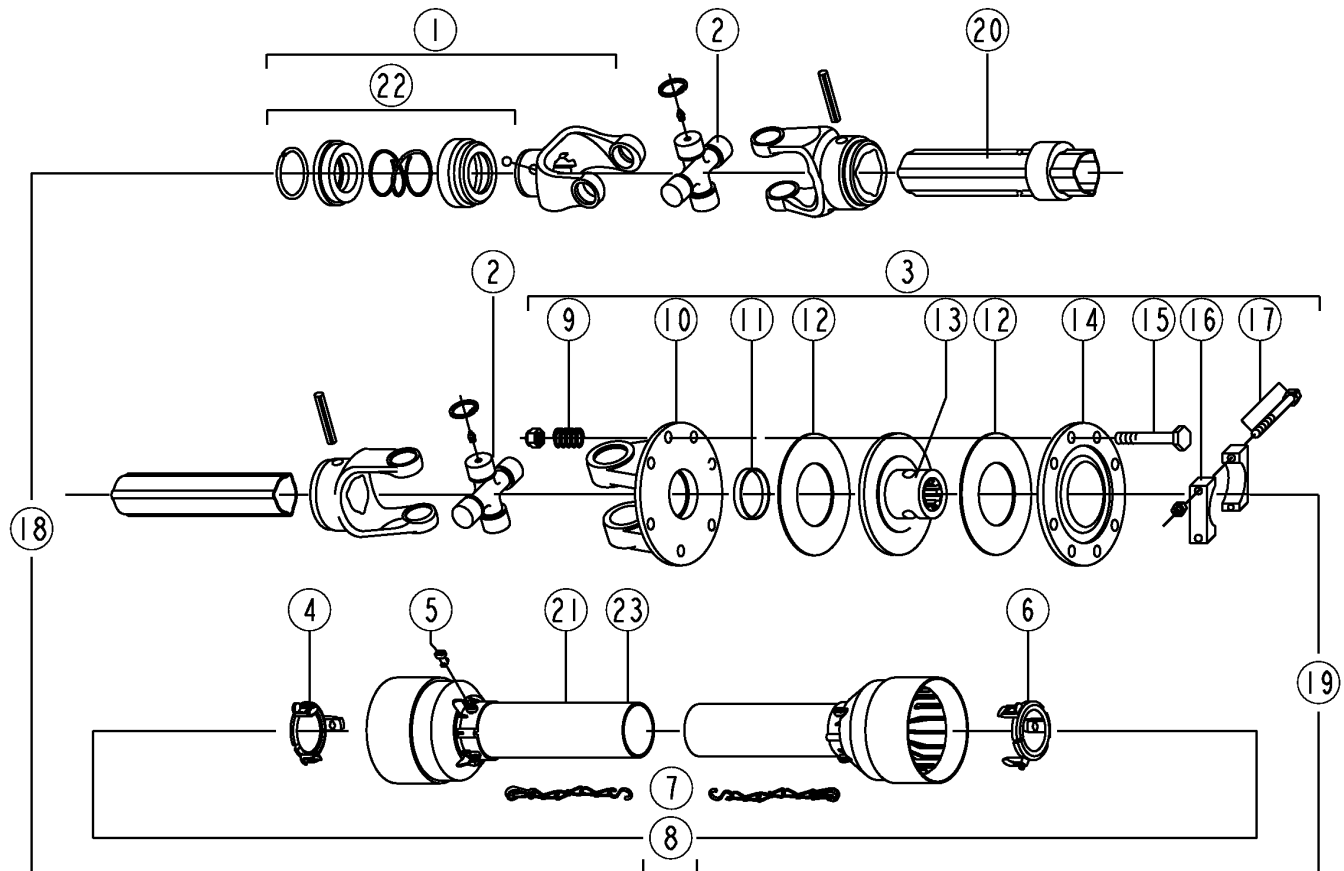


Driveline Wing (826-667C) S/N 945004-**Applies to RC2512 S/N 945550-**

Ref	Part No.	Part Description	Comments	Revision
	dwg30645 826-667C	Drawing Image Number DRIVELINE, WING W/ CLUTCH *		
1.	398468	WS FRICTION CLUTCH		
2.	HM.129	WS CROSS & BEARING KIT		
3.	28119800	WS INBOARD YOKE		
4.	020614	WS SPRING PIN		
5.	021160	WS INNER PROFILE		
6.	399384	WS PROFILE & SLEEVE		
7.	28119900	WS INBOARD YOKE		
8.	229776X0	WS YOKE ASGE		
9.	195266	WS GUARD CONE		
10.	087279	WS BRG RING		
11.	399385	WS GUARD TUBE OUTER		
12.	399386	WS GUARD TUBE INNER		
13.	355154	WS SUPPORT BRG		
14.	365305	WS SCREW		
15.	818-552C	DECAL DANGER PTO DRIVELINE		
16.	818-540C	DECAL DANGER GUARD MISS PTO		
17.	380371	WS ZERK		
18.	044321	DRIVELINE SHIELD SAFETY CHAIN		
19.	359471	WS REINFORCING COLLAR		
20.	390404	WS ASGE COLLAR KIT		

Driveline Wing (826-814C) S/N 945005+

Applies to RC2512 S/N 945550-, RC2512 SERIES 2 S/N 945551+

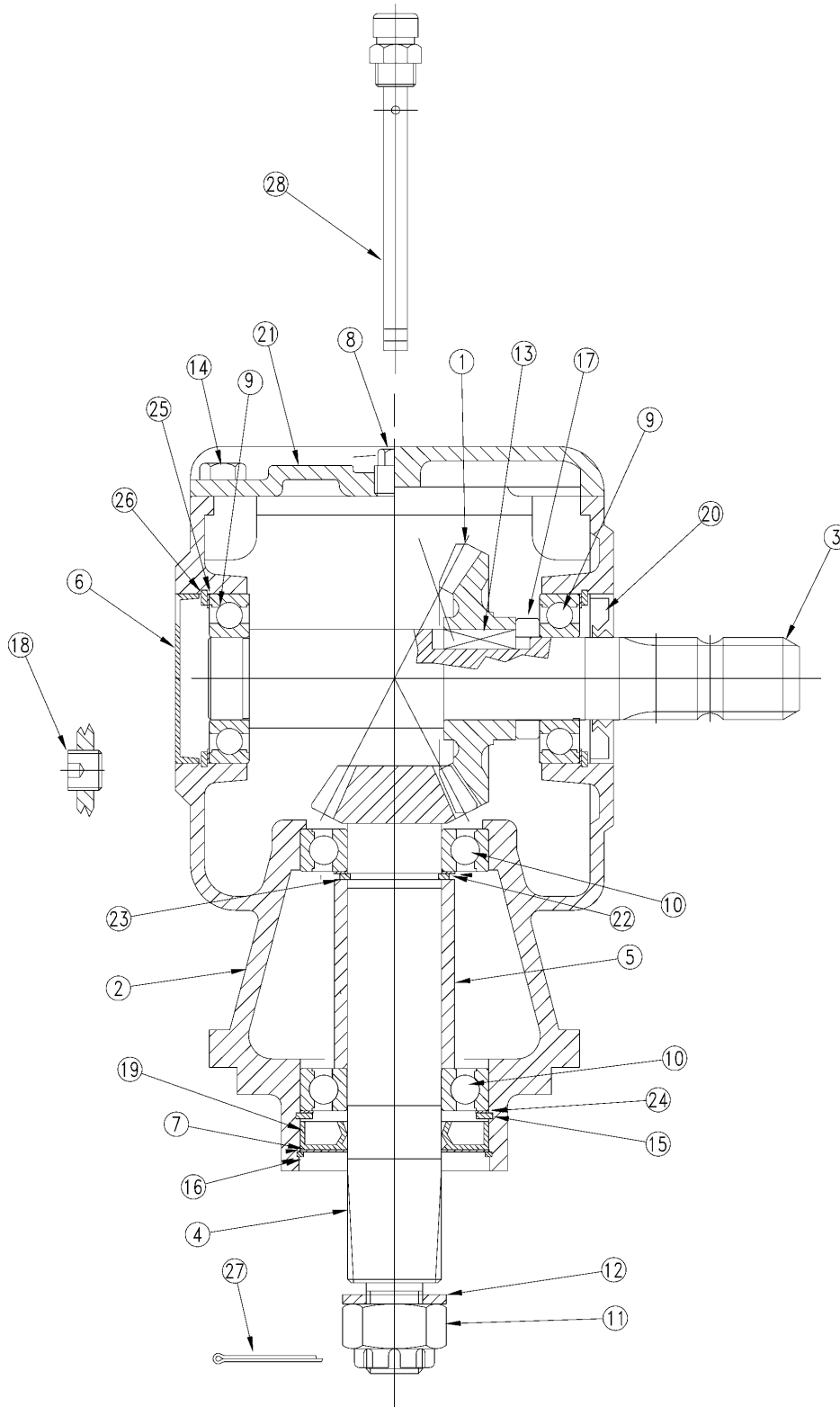


Driveline Wing (826-814C) S/N 945005+**Applies to RC2512 S/N 945550-, RC2512 SERIES 2 S/N 945551+**

Ref	Part No.	Part Description	Comments	Revision
	Dwg 37488	Image No.		
	826-814C	DRIVELINE, WING W/ CLUTCH		
1.	141.024.430.1	CO COMPLETE COLLAR YOKE C12		
2.	180.014.625	CO CROSS JOURNAL SET		
3.	8146.241.057.1	CO COMPLETE FRICTION CLUTCH		
4.	180.014.233	CO GRD COLLER OUTER TUBE		
4.	8180.014.233	RPBY 180.014.233		
5.	180.014.240	COMER BOLT		
5.	8180.014.240	RPBY 180.014.240		
6.	180.014.232	CO GRD COLLER INNER		
6.	8180.014.232	RPBY 180.014.232		
7.	180.016.790	CO SAFTEY CHAINS	(S/N 928934-)	
8.	142.240.5087421	CO COMPLETE GUARD W/MANUAL		
9.	180.014.022	COMER SPRING		
10.	151.014.756.1	COMER FLANGED YOKE		
11.	180.019.019	COMER BUSH		
12.	180.015.019	COMER LINING RING		
12.	180.015.377	RPBY 180.015.019		
13.	8151.015.424.1	CO SPECIAL HUB F15		
14.	180.015.021.1	CO PRESSURE PLATE		
15.	165.000.501	COMER NUT & BOLT M10X80		
16.	151.014.201	CO COMER BRIDGE		
17.	165.000.622	CO BOLT M14X1.5X100 & NUT		
18.	8123.340.378.11	CO HALF FEMALE SHFT W/GUARDING		
19.	8123.440.737.11	CO HALF MALE SHAFT W/GUARDING		
20.	190.000.098	COMER DANGER LABEL OUTER TUBE		
21.	190.000.099	COMER DANGER LABEL GUARD OUTER		
22.	165.000.628	COMER COLLAR KIT 1 3/8 YOKE		
23.	190.000.915	CO LABEL W/CUSTOMER CODE		

Gearbox (826-390C) S/N 875273-

Applies to RC2512 S/N 945550-



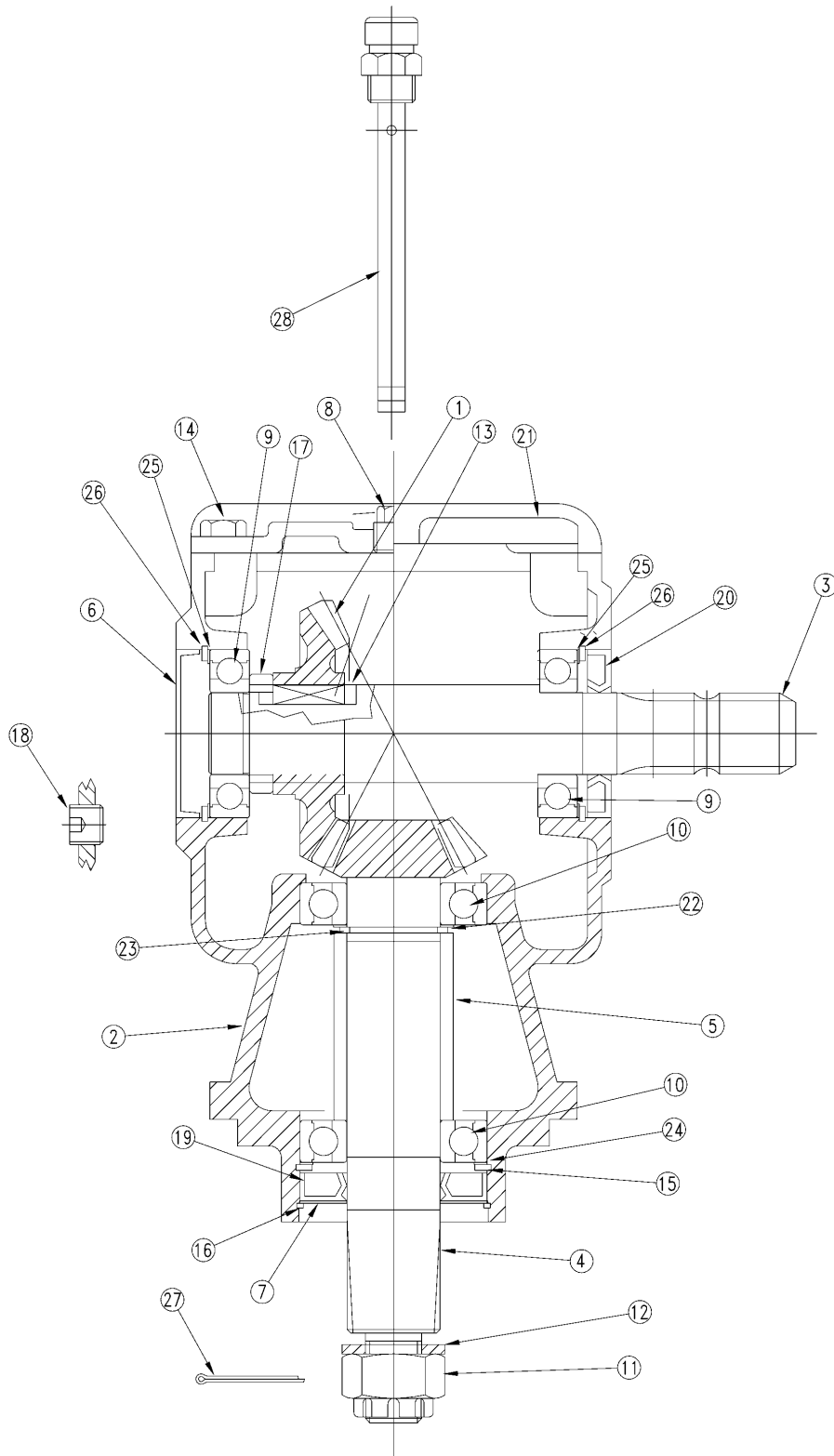
30646

Gearbox (826-390C) S/N 875273-**Applies to RC2512 S/N 945550-**

Ref	Part No.	Part Description	Comments	Revision
	dwg30646	Drawing Image Number		
	826-390C	GBOX RC25 1.38-6 1:1.93 STD. *		
1.	0.135.5000.00	CO GEAR Z23 M5		
2.	0.209.0300.00	CO CASTING		
3.	0.209.2002.00	CO INPUT SHAFT 1 3/8" Z6		
4.	0.135.6008.00	CO PINION Z12 M5		
5.	0.135.7105.00	CO SPACER		
6.	8.7.0.00744	CO CAP 72 X 10		
7.	1.135.7100.00	CO WASHER PROTECTIVE		
8.	8.6.5.00006	CO OIL PLUG 3/8		
9.	822-166C	BRG BALL 1.37IDX2.83OD 6207		
10.	822-188C	BRG BALL 6208		
11.	8.2.2.00515	CO NUT, CASTLE M24 X 2		
12.	8.3.2.00409	CO FLAT WASHER 25 X 44 X 4		
13.	8.4.1.00993	CO PARALLEL KEY B 10 X 8 X 30		
14.	8.1.1.00501	CO BOLT M8X22 HHB		
15.	8.5.2.00030	CO SNAP RING 80 UNI 7437		
16.	8.5.3.00955	CO SNAP RING SB 81		
17.	0.209.7100.00	CO SPACER		
18.	8.6.6.00201	CO PLUG 3/8 GAS (SOLID PLUG)		
19.	8.7.1.00748	CO DOUBLE LIP SEAL 40X80X12		
20.	8.7.1.00152	OIL SEAL, 35 X 72 X 12/10		
21.	0.209.1300.00	CO COVER		
22.	A244.501	CO SHIM KIT 40.3 51.5		
23.	8.5.1.00680	CO SNAP RING 40 UNI 7436		
24.	A.267.503	COMER SHIM KIT Z18 M6.15		
25.	A.248.500	COMER SHIM KIT 71.7		
26.	8.5.2.00131	CO SNAP RING INT 72 UN17437		
27.	826-487C	COMER 8.4.7.00516 COTTER		
28.	826-491C	COMER U0.209.7101.00 DIPSTICK		

Gearbox (826-677C) S/N 875273-

Applies to RC2512 S/N 945550-



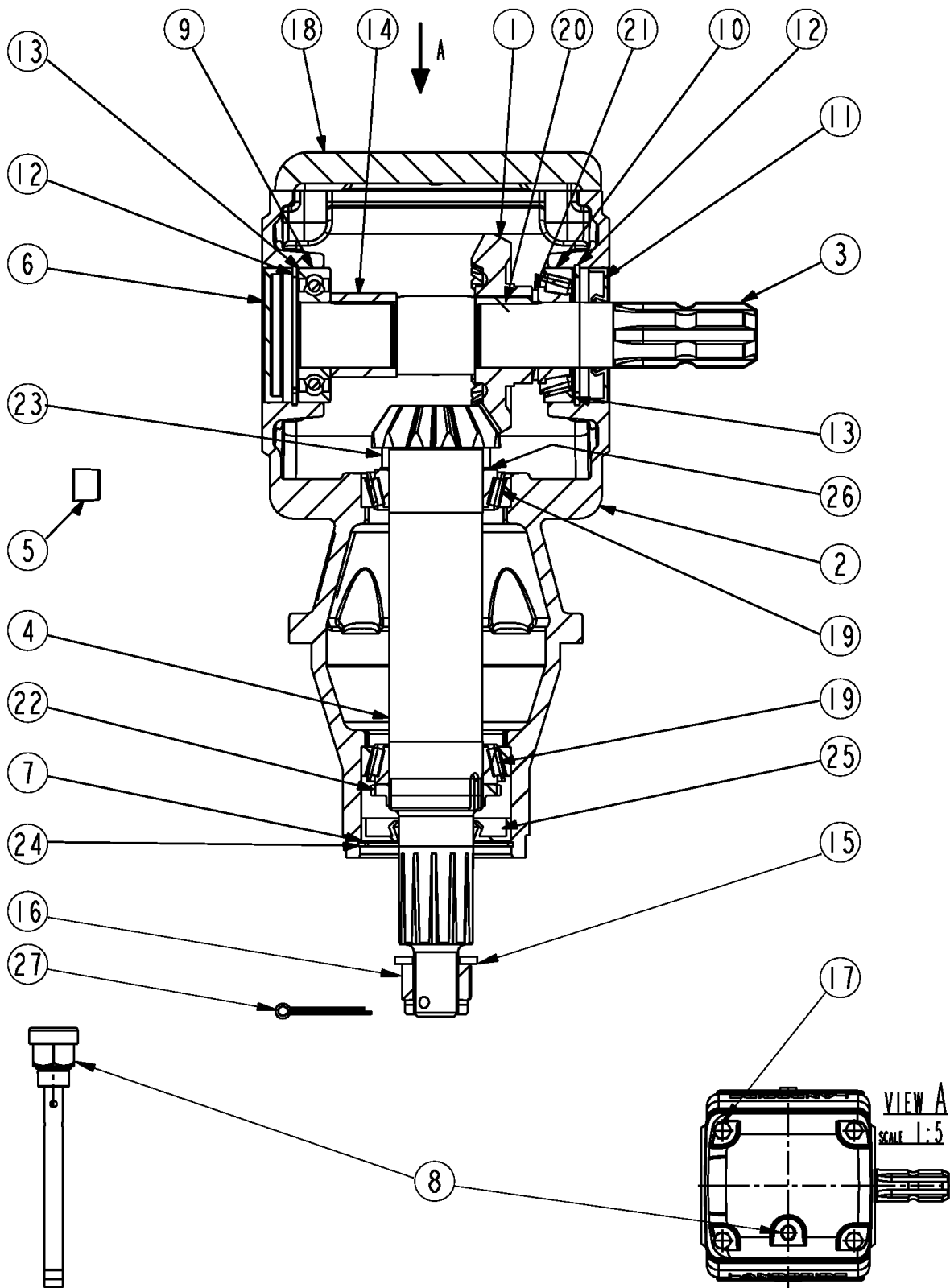
30647

Gearbox (826-677C) S/N 875273-**Applies to RC2512 S/N 945550-**

Ref	Part No.	Part Description	Comments	Revision
	dwg30647	Drawing Image Number		
	826-677C	GBOX RC25 1.38-6 1:1.93 REV *		
1.	0.135.5000.00	CO GEAR Z23 M5		
2.	0.209.0300.00	CO CASTING		
3.	0.209.2003.00	CO INPUT SHAFT 1 3/8" Z6		
4.	0.135.6008.00	CO PINION Z12 M5		
5.	0.135.7105.00	CO SPACER		
6.	8.7.0.00744	CO CAP 72 X 10		
7.	1.135.7100.00	CO WASHER PROTECTIVE		
8.	8.6.5.00006	CO OIL PLUG 3/8		
9.	822-166C	BRG BALL 1.37IDX2.83OD 6207		
10.	822-188C	BRG BALL 6208		
11.	8.2.2.00515	CO NUT, CASTLE M24 X 2		
12.	8.3.2.00409	CO FLAT WASHER 25 X 44 X 4		
13.	8.4.1.00993	CO PARALLEL KEY B 10 X 8 X 30		
14.	8.1.1.00501	CO BOLT M8X22 HHB		
15.	8.5.2.00030	CO SNAP RING 80 UNI 7437		
16.	8.5.3.00955	CO SNAP RING SB 81		
17.	0.209.7100.00	CO SPACER		
18.	8.6.6.00201	CO PLUG 3/8 GAS (SOLID PLUG)		
19.	8.7.1.00748	CO DOUBLE LIP SEAL 40X80X12		
20.	8.7.1.00152	OIL SEAL, 35 X 72 X 12/10		
21.	0.209.1300.00	CO COVER		
22.	A244.501	CO SHIM KIT 40.3 51.5		
23.	8.5.1.00680	CO SNAP RING 40 UNI 7436		
24.	A.267.503	COMER SHIM KIT Z18 M6.15		
25.	A.248.500	COMER SHIM KIT 71.7		
26.	8.5.2.00131	CO SNAP RING INT 72 UN17437		
27.	826-487C	COMER 8.4.7.00516 COTTER		
28.	826-491C	COMER U0.209.7101.00 DIPSTICK		

Gearbox (826-774C) Comer S/N 875274+

Applies to RC2512 S/N 945550-, RC2512 SERIES 2 S/N 945551+



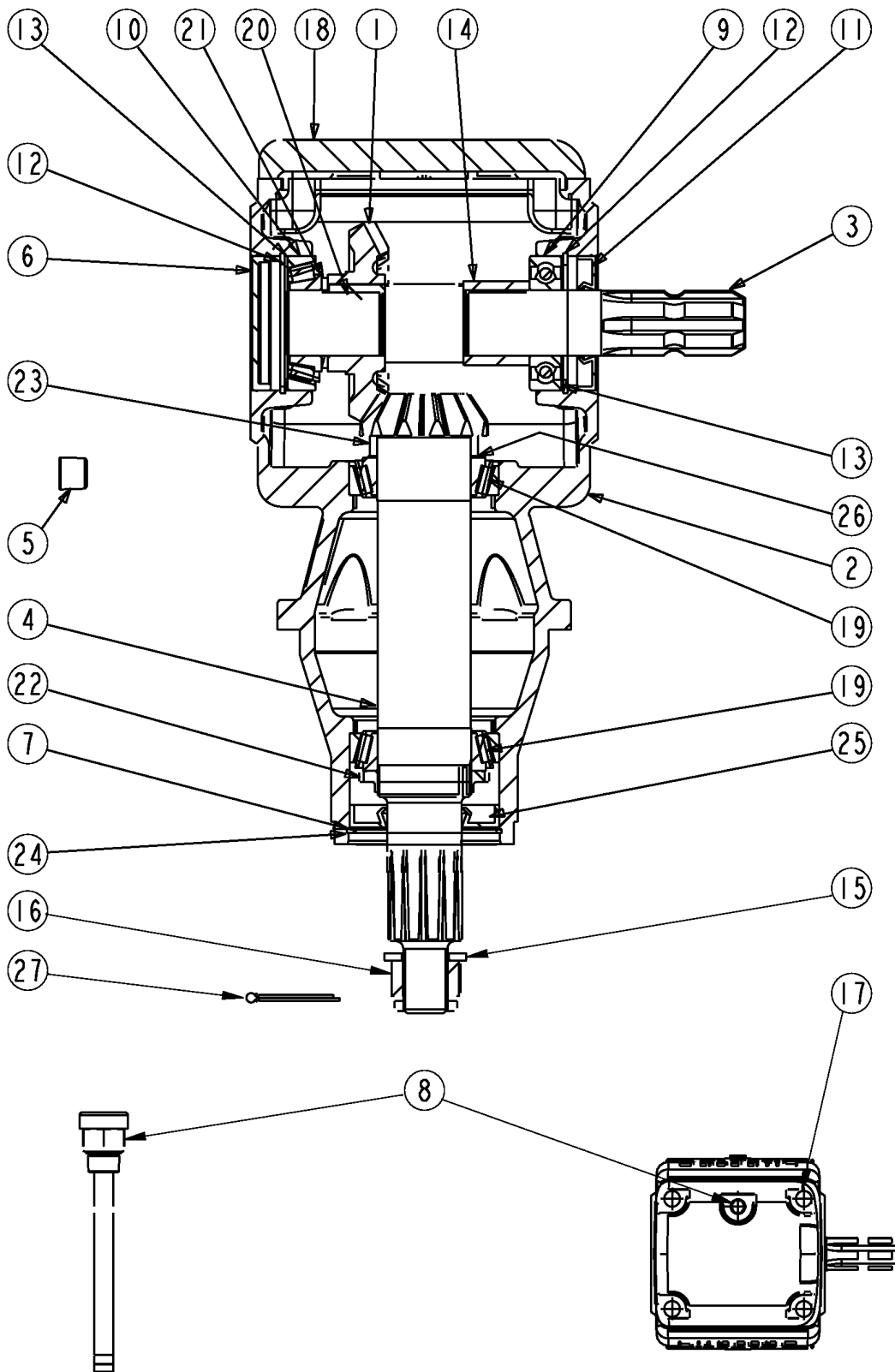
37563

Gearbox (826-774C) Comer S/N 875274+**Applies to RC2512 S/N 945550-, RC2512 SERIES 2 S/N 945551+**

Ref	Part No.	Part Description	Comments	Revision
	Dwg 37563	Image No.		
	826-774C	GBOX RC25 1.38-6 1:1.92 STD		
1.	0.135.5000.00	CO GEAR Z23 M5		
2.	0.209.0302.00	CO CASTING & MACHINING		
3.	0.209.2005.00	CO 1"3/8 Z6 INPUT SHAFT		
4.	0.209.5001.00	CO PINION SHAFT Z12 M5		
5.	8.6.6.00201	CO PLUG 3/8 GAS (SOLID PLUG)		
6.	8.7.0.00744	CO CAP 72 X 10		
7.	1.135.7100.00	CO WASHER PROTECTIVE		
8.	826-491C	COMER U0.209.7101.00 DIPSTICK		
8.	0.209.7101.00	RPBY 826-491C		
9.	822-166C	BRG BALL 1.37IDX2.83OD 6207		
9.	8.0.1.00870	RPBY 822-166C		
10.	822-167C	BRG ROLLER 1.37IDX2.83OD SET		
10.	8.0.9.00026	RPBY 822-167C		
11.	8.7.1.00152	OIL SEAL, 35 X 72 X 12/10		
12.	8.5.2.00131	CO SNAP RING INT 72 UN17437		
13.	A.248.500	COMER SHIM KIT 71.7		
13.	0.248.7500.00	RPBY A.248.500		
14.	0.209.7102.00	CO SPACER		
15.	8.3.2.00409	CO FLAT WASHER 25 X 44 X 4		
16.	8.2.2.00515	CO NUT, CASTLE M24 X 2		
17.	8.1.1.00501	CO BOLT M8X22 HHB		
18.	0.209.1300.00	CO COVER		
19.	8.0.9.01241	CO RLR BRG 32010X (50X80X20)		
20.	8.4.1.00993	CO PARALLEL KEY B 10 X 8 X 30		
21.	0.624.7101.00	CO SPACER (35.3X48.3X3.4)		
22.	0.781.7102.00	CO LOCKNUT M50X1.5		
23.	0.139.7102.00	CO SPACER (50.2X58X11)		
24.	8.5.3.00955	CO SNAP RING SB 81		
25.	8.7.1.00748	CO DOUBLE LIP SEAL 40X80X12		
26.	0.777.7500.00	CO SHIM KIT (50.2X59.8)		
27.	826-487C	COMER 8.4.7.00516 COTTER		
27.	8.4.7.00516	RPBY 826-487C		

Gearbox (826-775C) Comer S/N 875274+

Applies to RC2512 S/N 945550-, RC2512 SERIES 2 S/N 945551+



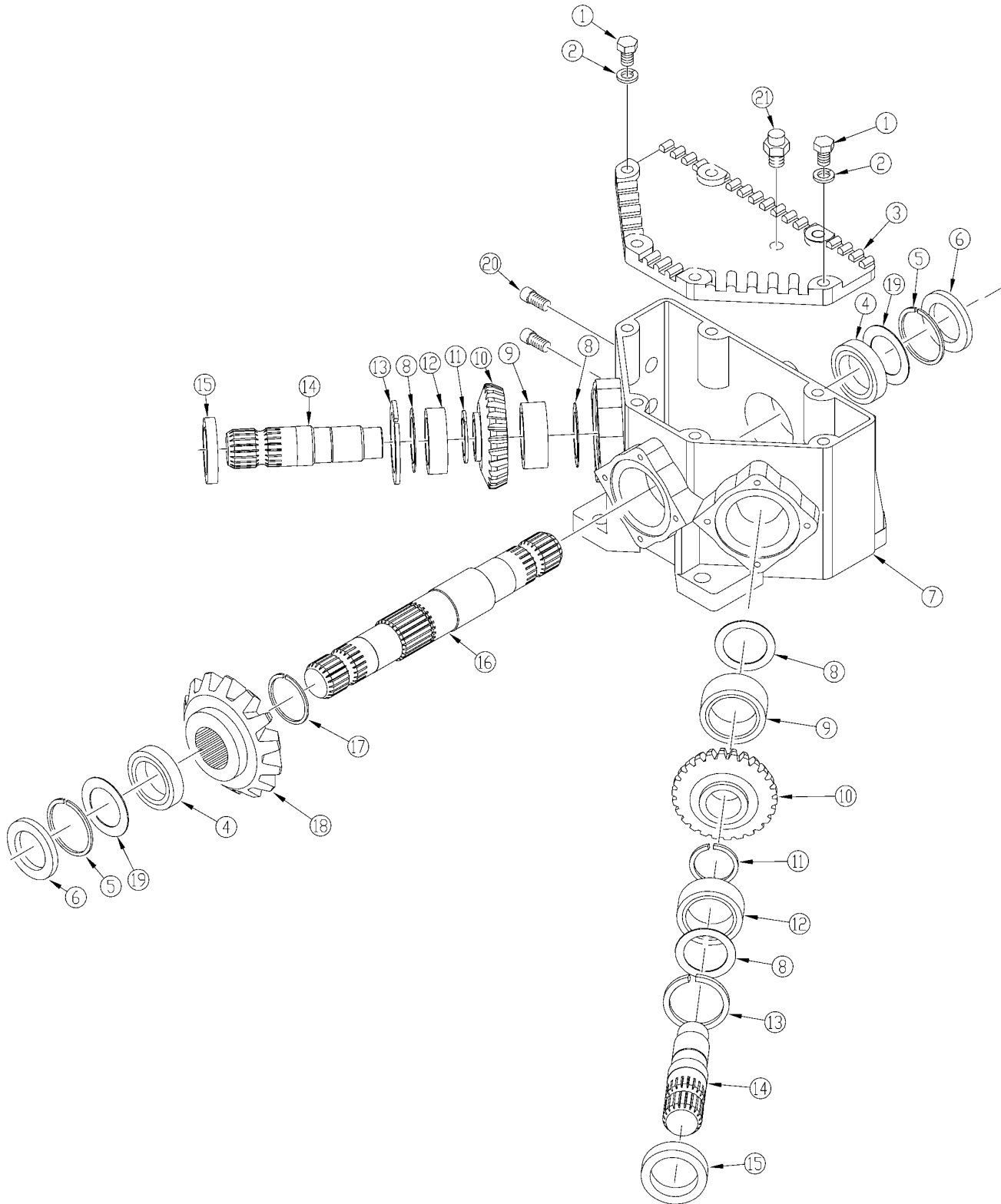
37564

Gearbox (826-775C) Comer S/N 875274+**Applies to RC2512 S/N 945550-, RC2512 SERIES 2 S/N 945551+**

Ref	Part No.	Part Description	Comments	Revision
	Dwg 37564	Image No.		
	826-775C	GBOX RC25 1.38-6 1:1.92 REV		
1.	0.135.5000.00	CO GEAR Z23 M5		
2.	0.209.0302.00	CO CASTING & MACHINING		
3.	0.209.2005.00	CO 1"3/8 Z6 INPUT SHAFT		
4.	0.209.5001.00	CO PINION SHAFT Z12 M5		
5.	8.6.6.00201	CO PLUG 3/8 GAS (SOLID PLUG)		
6.	8.7.0.00744	CO CAP 72 X 10		
7.	1.135.7100.00	CO WASHER PROTECTIVE		
8.	826-491C	COMER U0.209.7101.00 DIPSTICK		
8.	0.209.7101.00	RPBY 826-491C		
9.	822-166C	BRG BALL 1.37IDX2.83OD 6207		
9.	8.0.1.00870	RPBY 822-166C		
10.	822-167C	BRG ROLLER 1.37IDX2.83OD SET		
10.	8.0.9.00026	RPBY 822-167C		
11.	8.7.1.00152	OIL SEAL, 35 X 72 X 12/10		
12.	8.5.2.00131	CO SNAP RING INT 72 UN17437		
13.	A.248.500	COMER SHIM KIT 71.7		
13.	0.248.7500.00	RPBY A.248.500		
14.	0.209.7102.00	CO SPACER		
15.	8.3.2.00409	CO FLAT WASHER 25 X 44 X 4		
16.	8.2.2.00515	CO NUT, CASTLE M24 X 2		
17.	8.1.1.00501	CO BOLT M8X22 HHB		
18.	0.209.1300.00	CO COVER		
19.	8.0.9.01241	CO RLR BRG 32010X (50X80X20)		
20.	8.4.1.00993	CO PARALLEL KEY B 10 X 8 X 30		
21.	0.624.7101.00	CO SPACER (35.3X48.3X3.4)		
22.	0.781.7102.00	CO LOCKNUT M50X1.5		
23.	0.139.7102.00	CO SPACER (50.2X58X11)		
24.	8.5.3.00955	CO SNAP RING SB 81		
25.	8.7.1.00748	CO DOUBLE LIP SEAL 40X80X12		
26.	0.777.7500.00	CO SHIM KIT (50.2X59.8)		
27.	826-487C	COMER 8.4.7.00516 COTTER		
27.	8.4.7.00516	RPBY 826-487C		

Gearbox Divider 540 RPM (826-280C) Comer

Applies to RC2512 S/N 945550-, RC2512 SERIES 2 S/N 945551+



18782

Gearbox Divider 540 RPM (826-280C) Comer**Applies to RC2512 S/N 945550-, RC2512 SERIES 2 S/N 945551+**

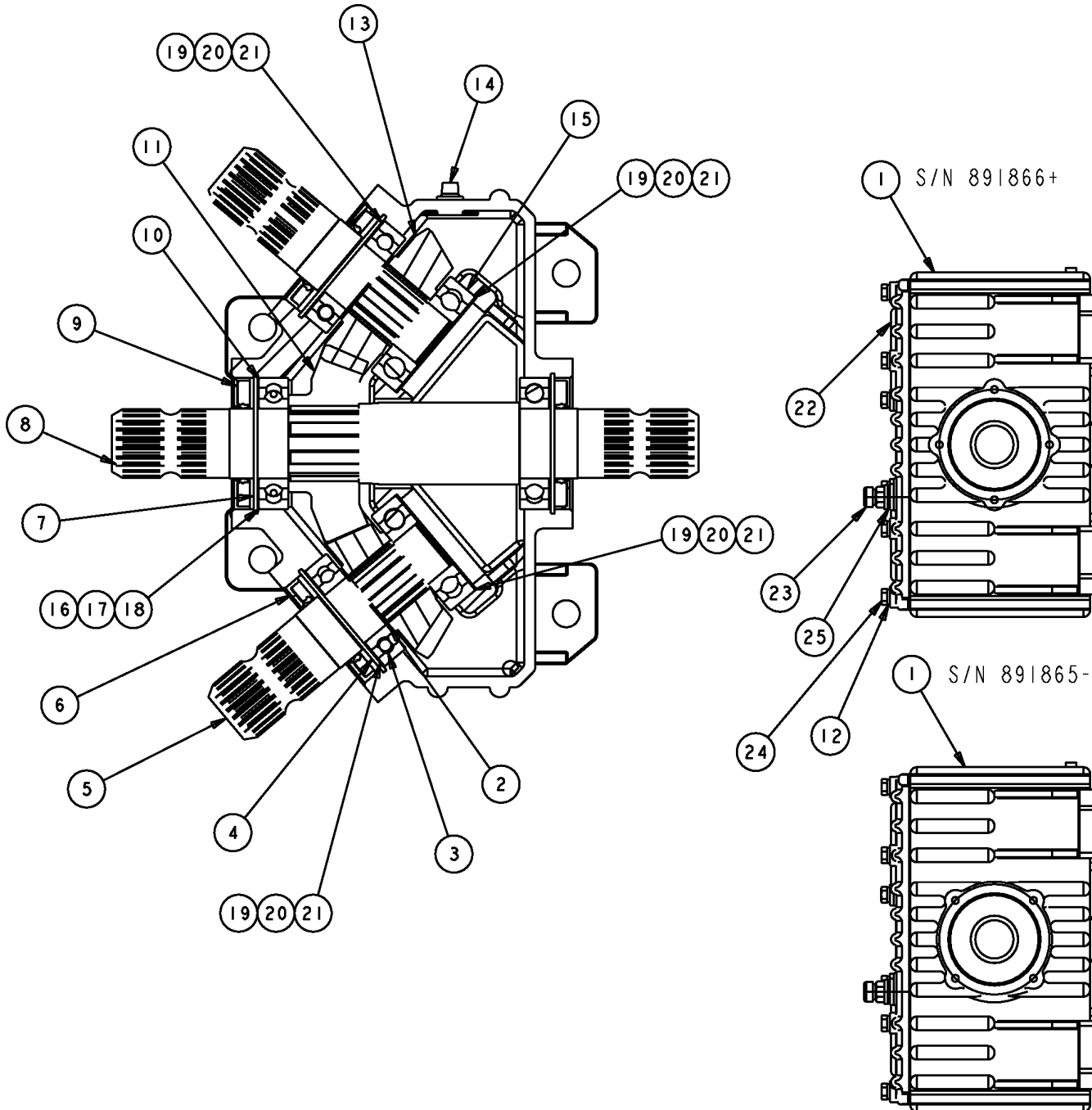
Ref	Part No.	Part Description	Comments	Revision
	dwg18782	Drawing Image Number		
	826-280C	DIVIDER OMNI/CO 540RPM SU		
1.	8.1.1.00449	CO BOLT M8X30 8.8		
2.	8.3.7.00140	CO SPRING WASHER 8.4X13X1.2		
3.	0.265.1501.00	CO COVER T1		
4.	822-189C	BALL BEARING 6209		
5.	8.5.2.00332	CO SNAP RING UNI 7437		
6.	8.7.3.00331	CO OIL SEAL 45 X 85 X 10		
7.	0.265.0300.00	CO CASING		
8.	0.267.7500.00	CO SHIM 79.9		
9.	822-190C	BALL BEARING 6307		
10.	0.265.5203.00	CO PINION Z20		
11.	8.5.1.00680	CO SNAP RING 40 UNI 7436		
12.	822-188C	BALL BEARING 6208		
13.	8.5.2.00030	CO SNAP RING 80 UNI 7437		
14.	0.263.3002.00	CO SHAFT 1 3/4-20		
15.	8.7.3.00398	CO OIL SEAL 45 X 80 X 10		
16.	0.263.2004.00	CO SHAFT 1 3/4 Z20		
17.	8.5.3.01012	CO SNAP RING SW 47		
18.	0.263.5001.00	CO GEAR Z24		
19.	0.709.7500.00	CO SHIM 84.7		
20.	8.6.6.00201	CO PLUG 3/8 GAS		
21.	8.6.7.00269	CO 1/2" GAS BREATHING PLUG		

*

Notes: Oil Type 80-90W Capacity 3.5 Pints

Gearbox Divider 540 RPM (826-280C) SD Engineering

Applies to RC2512 S/N 945550-, RC2512 SERIES 2 S/N 945551+



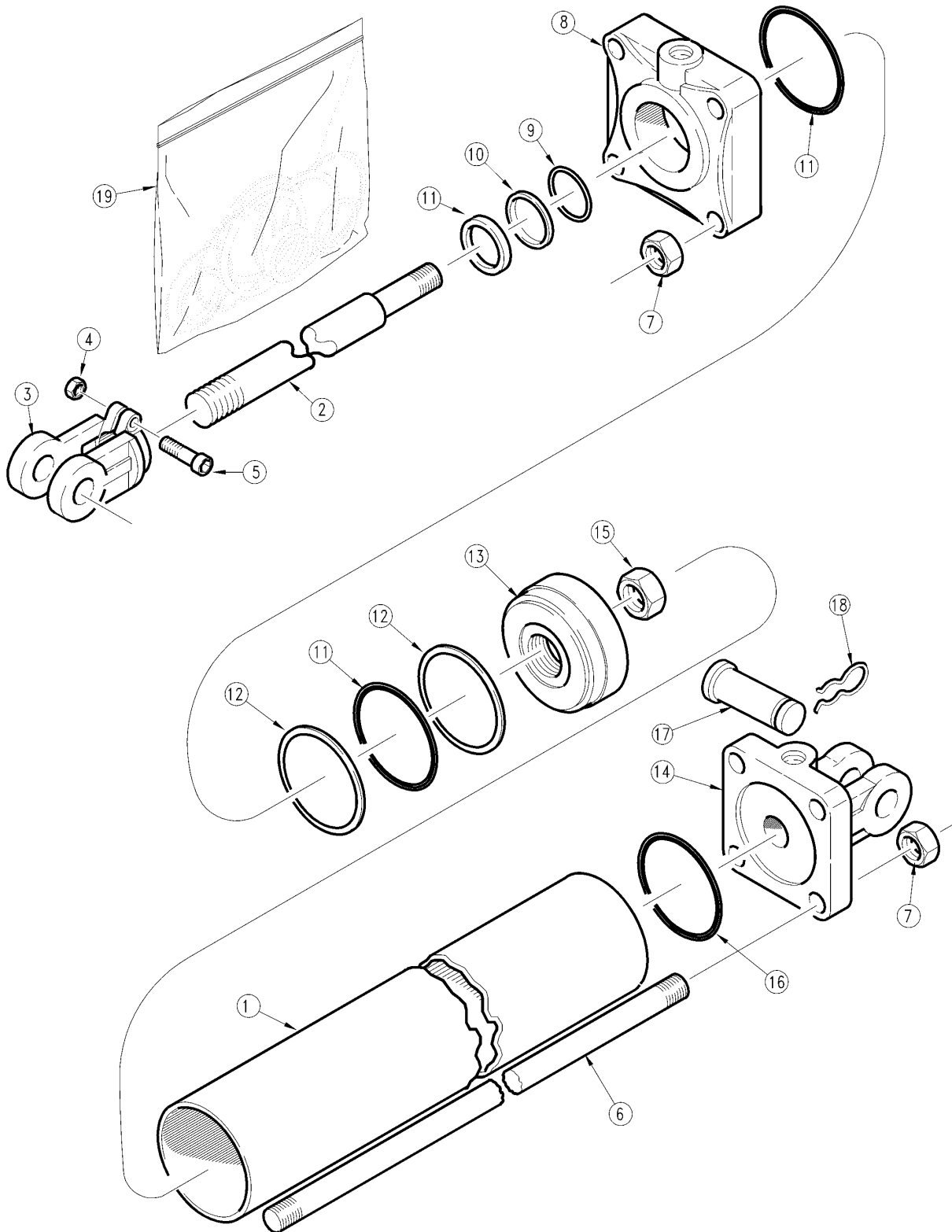
33915

Gearbox Divider 540 RPM (826-280C) SD Engineering**Applies to RC2512 S/N 945550-, RC2512 SERIES 2 S/N 945551+**

Ref	Part No.	Part Description	Comments	Revision
	dwg33915 826-280C	Drawing Image Number DIV. OMNI/CO 540RPM SU *		
1.	18-120	SD HOUSING		
2.	21-012	ITG RETAINING RING	S/N 775017+	
2.	21-018	SD 40DIA SHAFT RETAINING RING	S/N 775016-	
3.	822-188C	BRG BALL 6208		
4.	21-008	SD RETAINING RING		
5.	02-223	SD OUTPUT SHAFT		
6.	05-049	SD OIL SEAL 45X80X10		
7.	21-037	SD RETAINING RING 85		
8.	02-222	SD THRU SHAFT		
9.	05-050	SD OIL SEAL 45X85X10		
10.	04-136	SD BALL BEARING 209		
11.	03-180	SD 24 TOOTH GEAR		
12.	07-025	SD M8 HELICAL SPRING LOCK WSHR		
13.	03-181	SD 20 TOOTH GEAR		
14.	09-004	SD 3/8-18 NPT SQ HEAD PLUG	S/N 775017+	
14.	09-052	SD 3/8-19NPT SQ HEAD PLUG	S/N 775016-	
15.	04-112	SD BALL BEARING 307		
16.	17-042	SD SHIM (0.20)		
17.	17-043	SD SHIM (0.30)		
18.	17-044	SD SHIM (0.50)		
19.	17-045	SD SHIM (0.20)		
20.	17-046	SD SHIM (0.30)		
21.	17-047	SD SHIM (0.50)		
22.	20-124	SD INSPECTION CAP COVER		
23.	09-011	ITG M18 X 1.5P PLUG VENTED		
24.	06-038	SD M8X1.25X40 HEX HEAD CAPP SW		
25.	07-022	ITG SEALING WASHER		

Hydraulic Cylinder (810-200C) Midway

Applies to RC2512 S/N 945550-, RC2512 SERIES 2 S/N 945551+



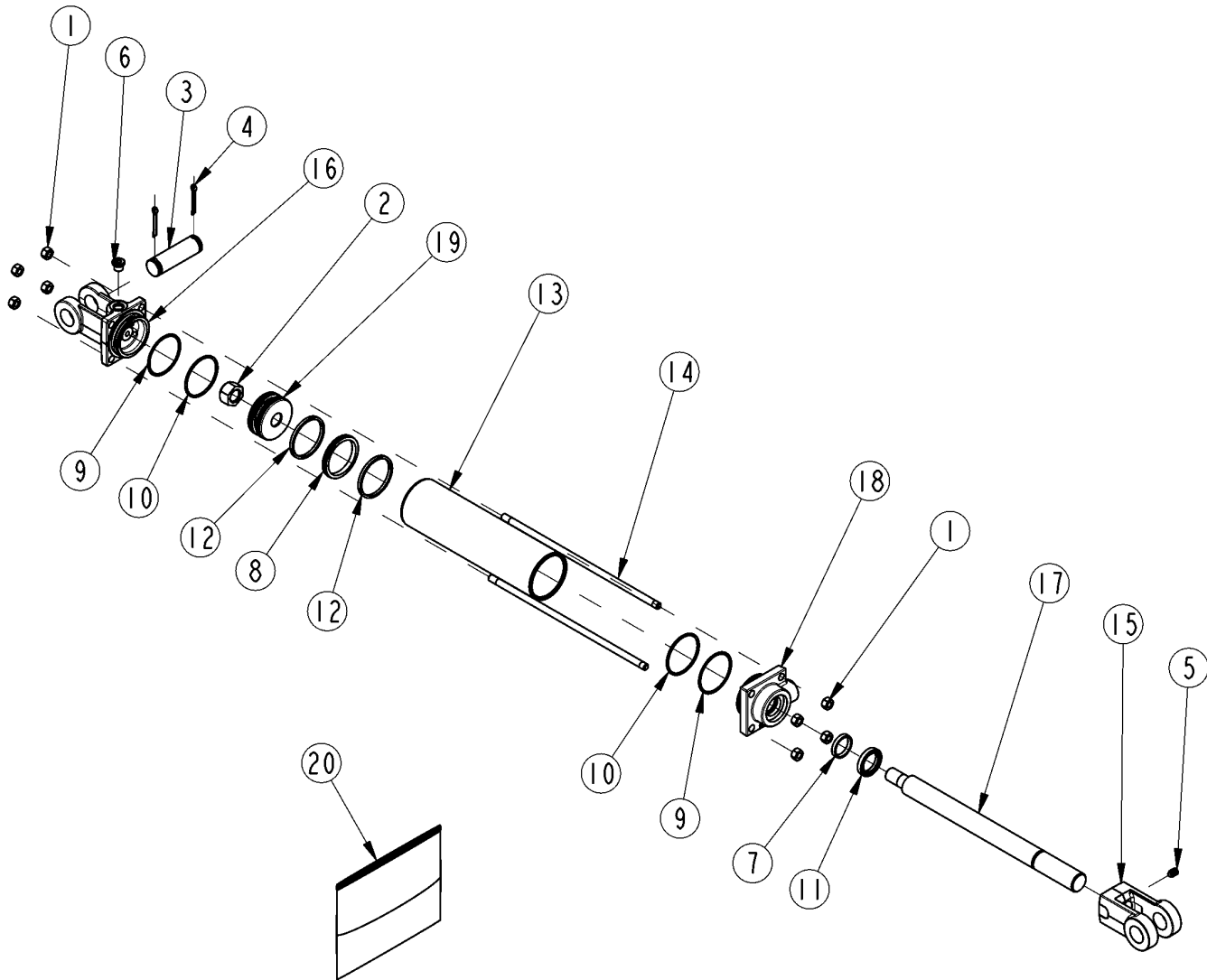
10219

Hydraulic Cylinder (810-200C) Midway**Applies to RC2512 S/N 945550-, RC2512 SERIES 2 S/N 945551+**

Ref	Part No.	Part Description	Comments	Revision
	dwg10219	Drawing Image Number		
	810-200C	CYL 2.5X8X1.12 ROD (TIE)1 PIN		
1.	5M4124	MW TUBE 3 X 16 CYLINDER		
2.	2M4422	MW ROD 1-1/4 DIA. X 16 STROKE		
3.	1M6010	MW CLEVIS STD. DUTY		
4.	2A0012	MW NUT CLEVIS & TIE ROD		
5.	802-023C	HHCS 3/8-16X1 3/4 GR5		
6.	7M4324	MW TIE ROD 3 X 16 CYLINDER		
7.	2A0014	MW TIE ROD NUT		
8.	3R1410	MW HEAD		
9.		O-RING	Only found in seal kit 19	
10.		BACK-UP	Only found in seal kit 19	
11.		WIPER SEAL	Only found in seal kit 19	
12.		O-RING	Only found in seal kit 19	
13.	4M4104	MW PISTON 3" DIA.		
14.	6R1146-ADI	MIDWAY ADI BASE		
15.	2A0024	MW PISTON NUT 1"-14		
16.		BACK-UP	Only found in seal kit 19	
17.	2A0208	MW CLEVIS PIN		
18.	2A0132	MW PIN CLIP		
19.	810-210C	SEAL KIT MW 2.5 CYL 3A3102	2nd revision	
19.	810-119C	RPBY 810-210C	Use up existing stock; revision 1	

Hydraulic Cylinder (810-200C) Red Lion

Applies to RC2512 S/N 945550-, RC2512 SERIES 2 S/N 945551+



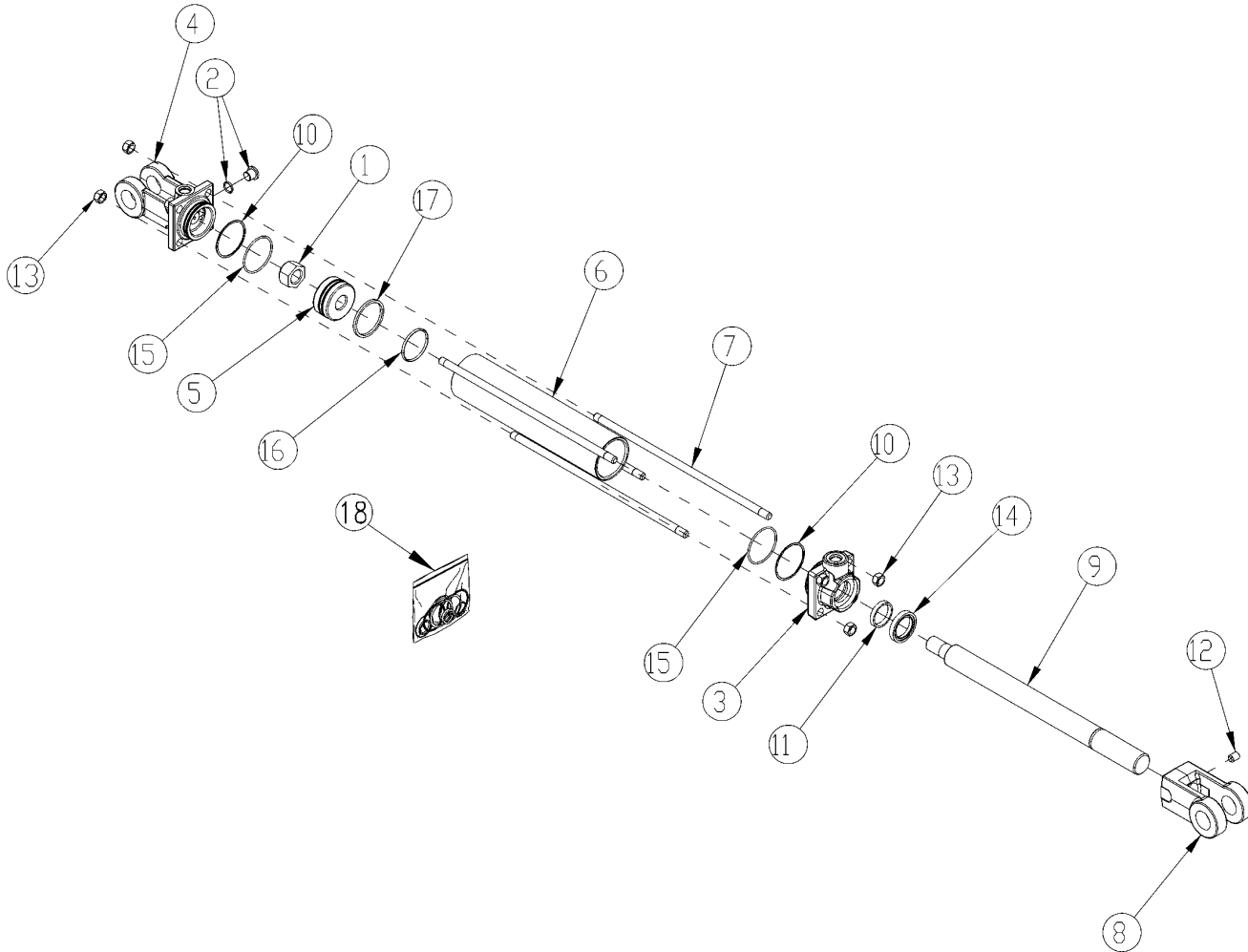
25901

Hydraulic Cylinder (810-200C) Red Lion**Applies to RC2512 S/N 945550-, RC2512 SERIES 2 S/N 945551+**

Ref	Part No.	Part Description	Comments	Revision
	dwg25901	Drawing Image Number		
	810-200C	CYL 2.5X8X1.12 ROD (TIE)1 PIN *		
1.	803-014C	NUT HEX 3/8-16 PLT		
2.	130556	MON PISTON NUT		
3.	134953	LION PIN		
4.	135995	MON CLEVIS PIN COTTER		
5.	801-023C	SCREW SET SH 3/8-16X3/8 TYPE C		
6.	186561	PLUG 9/16-18UNF MORB SOCKET HD		
7.	N/A	MON ROD SEAL	Only Found in Kit #20	
8.	N/A	MON PISTON SEAL	Only Found in Kit #20	
9.	N/A	MON END CAP BACKUP WASHERS	Only Found in Kit #20	
10.	N/A	MON END CAP O-RING	Only Found in Kit #20	
11.	N/A	LION WIPER SEAL	Only Found in Kit #20	
12.	N/A	MON PISTON WEAR RING	Only Found in Kit #20	
13.	491668	LION CYL. TUBE 2.5 X 8		
14.	492218	LION TIE ROD 3/8, 8 CYL		
15.	492650	LION ROD CLEVIS 1 1/8-12UNF		
16.	492688	LION CLEVIS CAP 2.5, 9/16 ORB		
17.	492699	LION ROD 1.125 ASAE 8		
18.	494391	MON ROD CP2.50-1.12-9/16ORB-TS		
19.	258818	MON PISTON 2.50-.750-TSS-ISO-WR		
20.	810-886C	MON SEAL KIT 661701		

Hydraulic Cylinder (810-722C)

Applies to RC2512 S/N 945550-, RC2512 SERIES 2 S/N 945551+



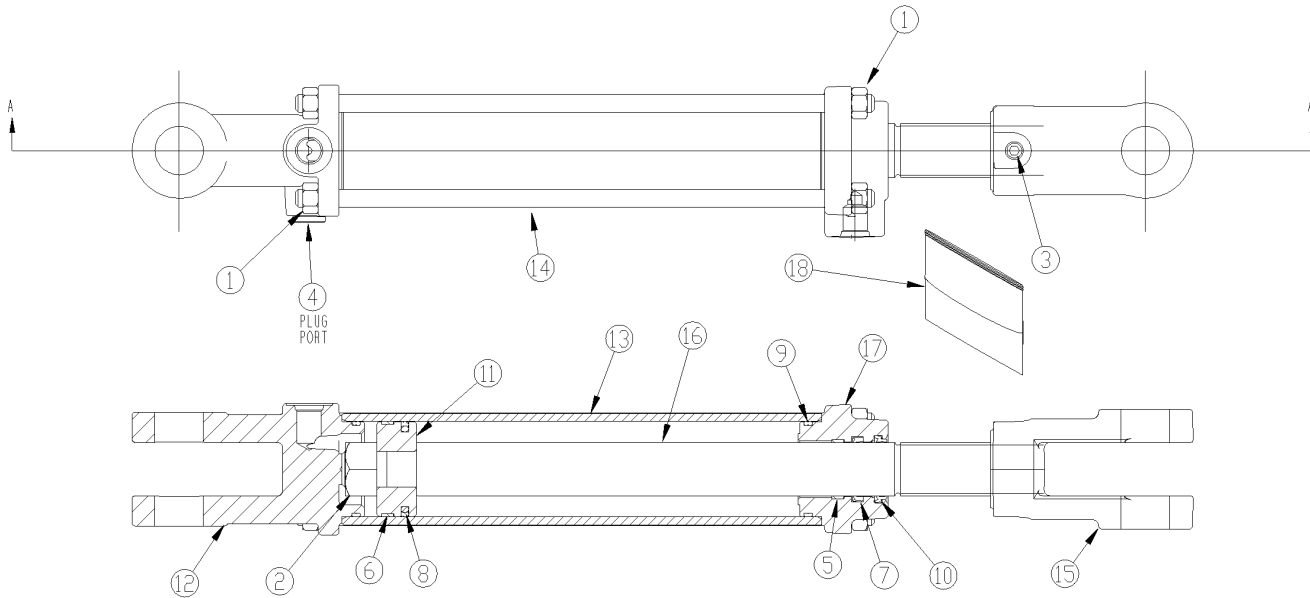
30846

Hydraulic Cylinder (810-722C)**Applies to RC2512 S/N 945550-, RC2512 SERIES 2 S/N 945551+**

Ref	Part No.	Part Description	Comments	Revision
	dwg30846 810-722C	Drawing Image Number CYL 2X8X1.12 ROD (TIE ROD) *		
1.	130556	MON PISTON NUT		
2.	186561	PLUG 9/16-18UNF MORB SOCKET HD		
3.	292667	MON ROD CAP		
4.	292668	MON CLEVIS CAP		
5.	294765	MON PISTON		
6.	491608	MON TUBE		
7.	492218	LION TIE ROD 3/8, 8 CYL		
8.	492650	LION ROD CLEVIS 1 1/8-12UNF		
9.	492699	LION ROD 1.125 ASAE 8		
10.	N/A	MON END CAP BACKUP WASHER	Only Found in Kit #18	
11.	N/A	MON ROD SEAL	Only Found in Kit #18	
12.	801-023C	SCREW SET SH 3/8-16X3/8 TYPE C		
13.	803-014C	NUT HEX 3/8-16 PLT		
14.	N/A	MON SEAL WIPER ROD	Only Found in Kit #18	
15.	N/A	MON END CAP O-RING	Only Found in Kit #18	
16.	N/A	MON PISTON O-RING	Only Found in Kit #18	
17.	N/A	MON PISTON SEAL	Only Found in Kit #18	
18.	639542	MON SEALS REPAIR KIT		

Hydraulic Cylinder (810-882C)

Applies to RC2512 S/N 945550-, RC2512 SERIES 2 S/N 945551+



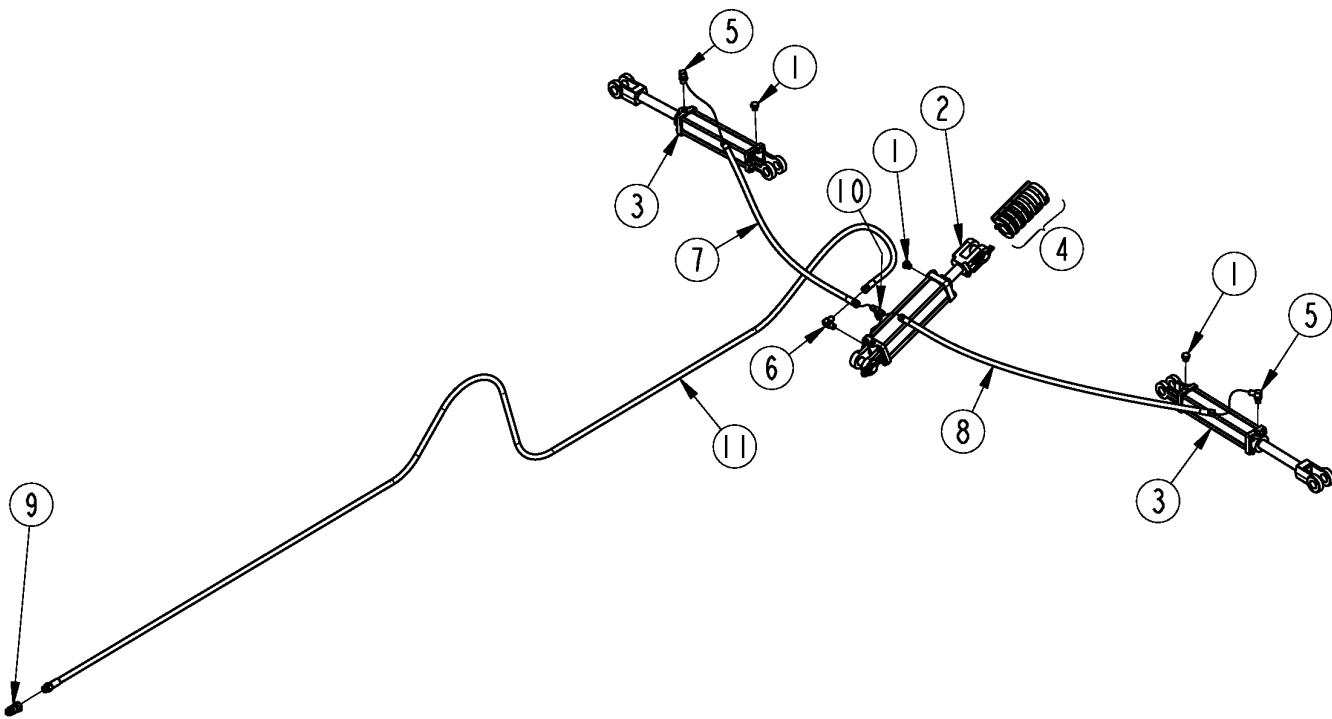
35301

Hydraulic Cylinder (810-882C)**Applies to RC2512 S/N 945550-, RC2512 SERIES 2 S/N 945551+**

Ref	Part No.	Part Description	Comments	Revision
	dwg35301 810-882C	Drawing Image Number CYL 2X8X1.12 ROD (TIE ROD) *		
1.	803-014C	NUT HEX 3/8-16 PLT		
2.	130556	MON PISTON NUT		
3.	148000	MON NYLON THREAD PROTECTOR		
4.	186561	PLUG 9/16-18UNF MORB SOCKET HD		
5.	N/A	MON WEAR RING 1.25-1.13-0.250	Found in Item #18	
6.	N/A	MON WEAR RING 2.00-1.88-0.260	Found in Item #18	
7.	N/A	MON SEAL ZURCON U-CUP RU9 1.13	Found in Item #18	
8.	N/A	MON SEAL ZURCON WYNSEAL 2.00	Found in Item #18	
9.	N/A	MON SEAL DUAL 2.00-.170	Found in Item #18	
10.	N/A	MON SEAL WIPER 1.13 WNUC TSS	Found in Item #18	
11.	258851	MON PISTON 2.00-.75-TSS-ISO-WR		
12.	292668	MON CLEVIS CAP		
13.	491608	MON TUBE		
14.	492218	LION TIE ROD 3/8, 8 CYL		
15.	492650	LION ROD CLEVIS 1 1/8-12UNF		
16.	492699	LION ROD 1.125 ASAE 8		
17.	494382	MON ROD CAP2.0-1.12-9/16ORB-TS		
18.	620271	MON SK RK 20-113 (810-883C)		

Hydraulic Lift Plumbing Single Remote

Applies to RC2512 S/N 945550-, RC2512 SERIES 2 S/N 945551+



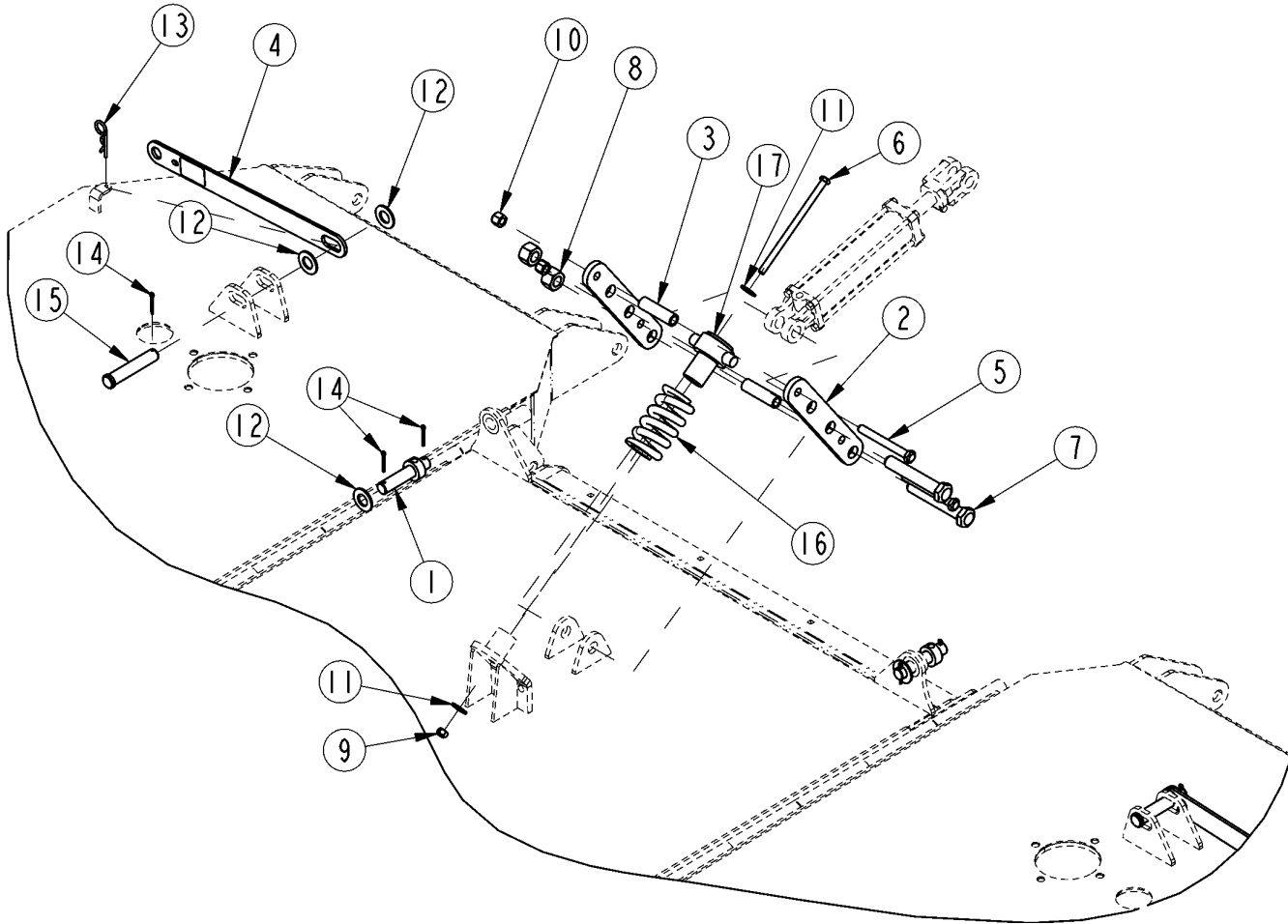
30615

Hydraulic Lift Plumbing Single Remote**Applies to RC2512 S/N 945550-, RC2512 SERIES 2 S/N 945551+**

Ref	Part No.	Part Description	Comments	Revision
	dwg30615	Drawing Image Number		
1.	800-117C	VENT PLUG - 9/16-18 PLATED		
2.	810-200C	CYL 2.5X8X1.12 ROD (TIE)1 PIN		
3.	810-882C	CYL 2X8X1.12 ROD (TIE ROD)	S/N 775017+	
3.	810-722C	RPBY 810-882C	S/N 775016-	
4.	810-818C	STRK CNTRL SPCRS 1.125 TO 1.50		
5.	811-062C	OREL 1/32 9/16MJIC 9/16MORB		
6.	811-337C	OREL 1/16 9/16MJIC 9/16MORB		
7.	811-180C	HH1/4R1 057 9/16FJIC		
8.	811-180C	HH1/4R1 057 9/16FJIC		
9.	811-394C	CP 3/4FORB MALE QD POPPET TYPE		
10.	811-439C	TE 9/16MORB 9/16MJIC 9/16MJIC		
11.	811-633C	HH3/8R1 162 3/4MORB 9/16 FJIC		

Spring Mechanism & Wing Locks

Applies to RC2512 S/N 945550-, RC2512 SERIES 2 S/N 945551+



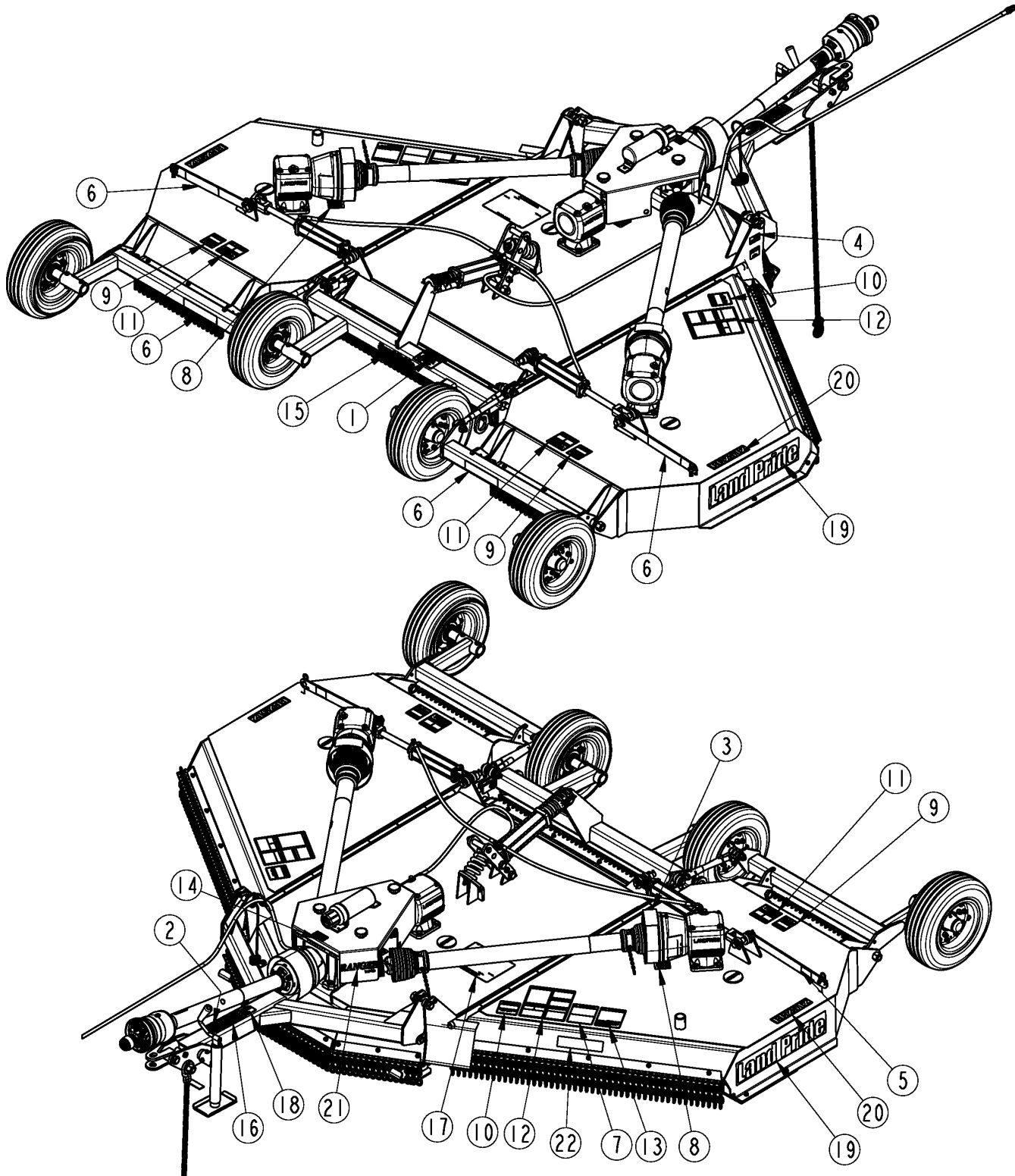
30616

Spring Mechanism & Wing Locks**Applies to RC2512 S/N 945550-, RC2512 SERIES 2 S/N 945551+**

Ref	Part No.	Part Description	Comments	Revision
	dwg30616	Drawing Image Number		
1.	318-018H	WLDMT. CYLINDER PIN		
2.	330-291D	TRUNNION ARM		
3.	330-294D	SPACER TRUNNION ARM		
4.	330-735S	TRANSPORT BAR W/ DECALS		
5.	802-254C	HHCS 5/8-11X5 1/2 GR5		
6.	802-269C	HHCS 1/2-13X9 GR5		
7.	802-715C	HHCS 1-8X6 GR8 PLT SPTHD		
8.	803-038C	NUT HEX 1-8 NYLON INSERT PLT		
9.	803-147C	NUT HEX NYLOCK 1/2-13		
10.	803-148C	NUT HEX NYLOCK 5/8-11 PLT		
11.	804-017C	WASHER FLAT 1/2 USS PLT		
12.	804-029C	WASHER FLAT 1 SAE		
13.	805-088C	PIN, HAIR COTTER 3/16 WIRE DIA		
14.	805-104C	PIN COTTER 3/16 X 1 1/2 PLT		
15.	805-131C	PIN CLEVIS 1 X 4 11/16 USABLE		
16.	807-271C	SPRING COMP 3.20OD .63W 5.5L		
17.	812-388C	SWIVEL CAST		

Decals S/N 945550-

Applies to RC2512 S/N 945550-



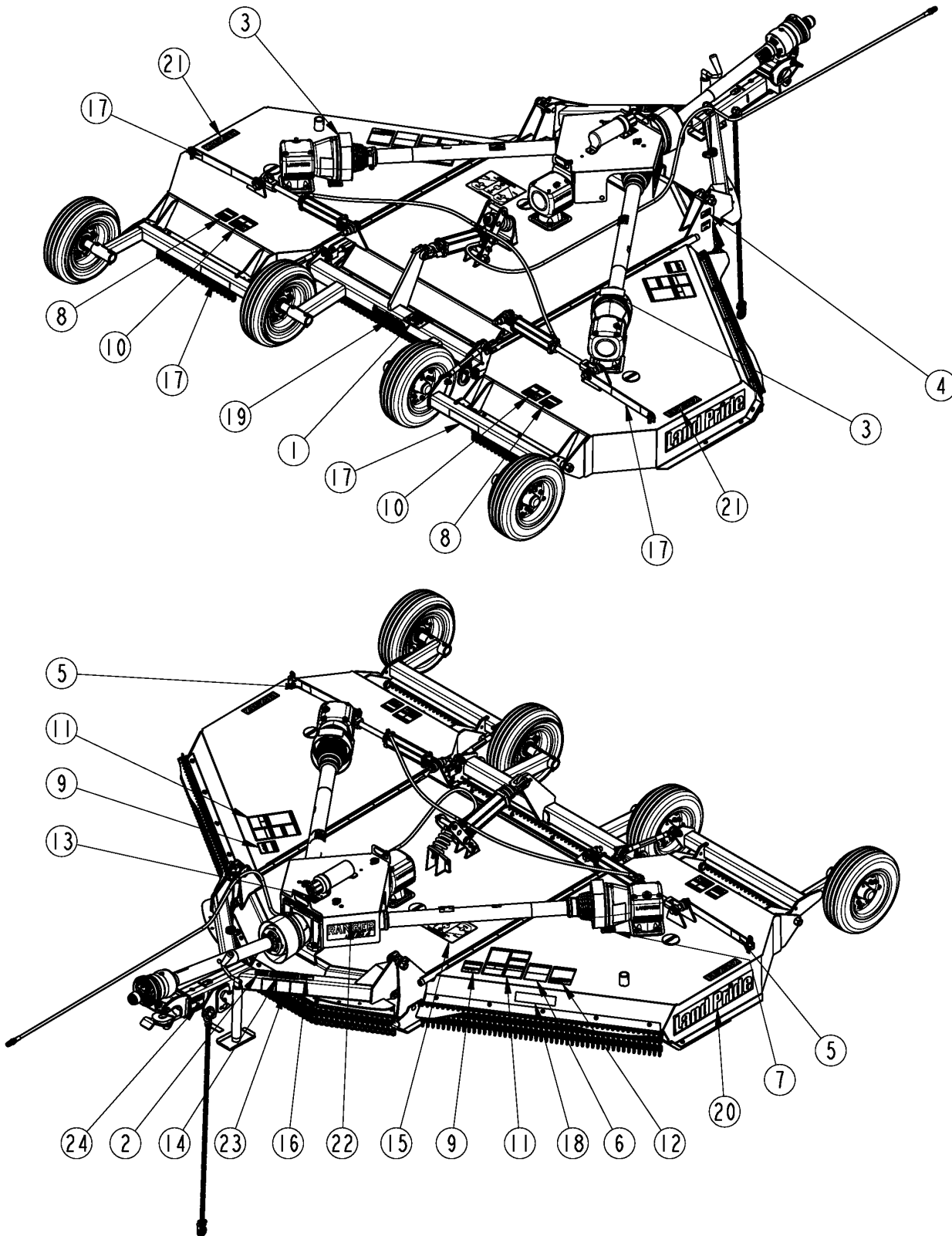
30614

Decals S/N 945550-**Applies to RC2512 S/N 945550-**

Ref	Part No.	Part Description	Comments	Revision
	dwg30614	Drawing Image Number		
1.	818-045C	DECAL WARNING PINCH PT/CRUSH		
2.	818-130C	DECAL CAUTION 540 RPM		
3.	818-142C	DECAL DANGER PTO DRIVELINE EN		
4.	818-190C	DECAL FLAG		
5.	818-229C	DECAL AMBER REFLECTOR		
6.	838-614C	DECAL REFLECTOR RED 2X9	S/N 813017+	
6.	818-230C	DECAL RED REFLECTOR	S/N 813016-	
7.	818-276C	DECAL WARNING OPERATING ANGLE		
8.	818-543C	DECAL DANGER PD GUARD MISS SML		
9.	818-556C	DECAL DANGER THROWN OBJ CUTTER		
10.	818-561C	DECAL DANGER RAISED WING HAZAR		
11.	818-564C	DECAL DANGER ROTATING BLADES		
12.	818-830C	DECAL SAFETY COMBO SUNWEST		
13.	818-840C	DECAL DANGER ROLLOVER HAZARD		
14.	818-862C	DECAL 5 YEAR GEARBOX WARRANTY		
15.	848-159C	DECAL LANDPRIDE 10" BROWN/GOLD		
16.	838-094C	DECAL WARNING HYD PRESS LONG		
17.	838-475C	DECAL BLADE ROTATION		
18.	838-588C	FOLDING CUTTER SPEED WARNING		
19.	848-631C	DECAL LANDPRIDE 24" GREEN	Beige Unit	
19.	848-676C	DECAL LANDPRIDE 24" YELLOW	Green & Red Unit	
19.	848-128C	DECAL LANDPRIDE 25-GOLD	Orange Unit	
20.	848-637C	DECAL RC2515 GREEN	Beige Unit	
20.	848-638C	DECAL RC2515 GOLD	Orange, Green & Red Unit	
21.	858-065C	DECAL RANGER GREEN	Beige & Green Unit	
21.	858-066C	DECAL RANGER ORANGE	Orange Unit	
21.	858-064C	DECAL RANGER	Red Unit	
22.	838-615C	DECAL REFLECTOR AMBER 2X9	S/N 813017+	

Decals S/N 945551+

Applies to RC2512 SERIES 2 S/N 945551+



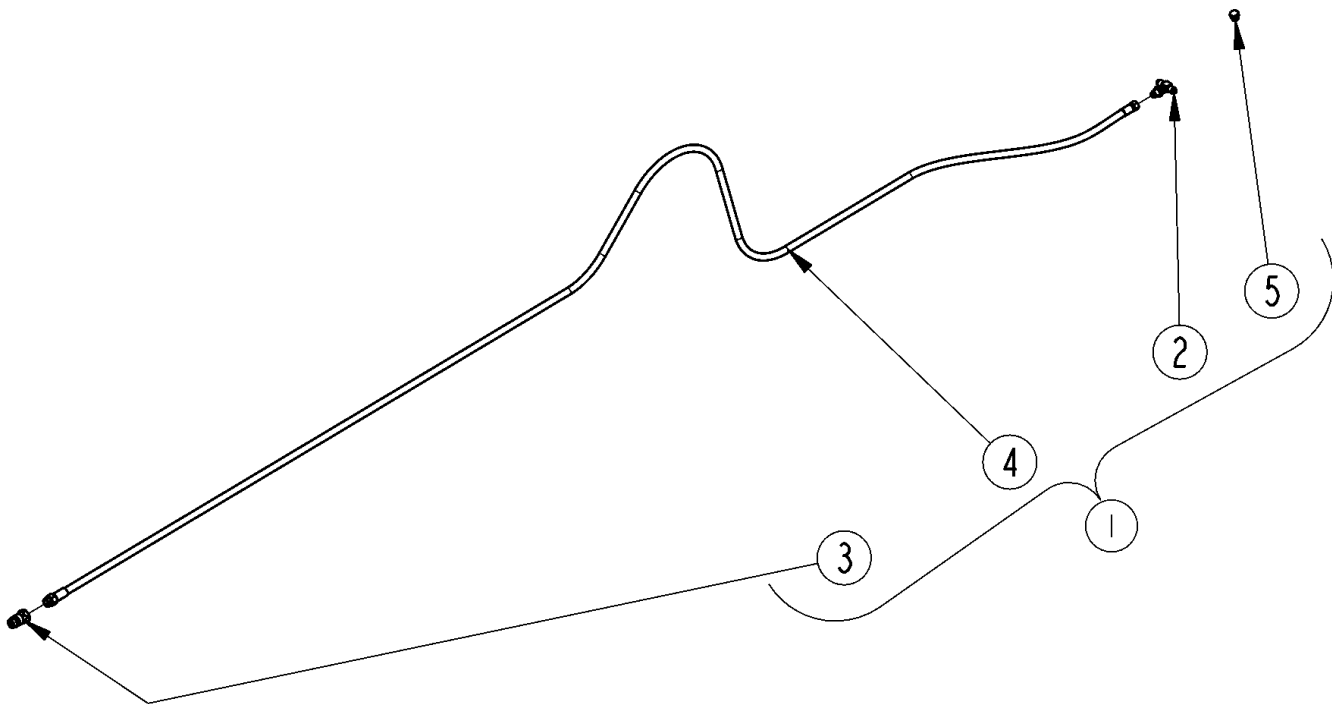
37489

Decals S/N 945551+**Applies to RC2512 SERIES 2 S/N 945551+**

Ref	Part No.	Part Description	Comments	Revision
	Dwg 37489	Image No.		
1.	818-045C	DECAL WARNING PINCH PT/CRUSH		
2.	818-130C	DECAL CAUTION 540 RPM		
3.	818-142C	DECAL DANGER PTO DRIVELINE EN		
4.	818-190C	DECAL FLAG		
5.	818-229C	DECAL AMBER REFLECTOR		
6.	818-276C	DECAL WARNING OPERATING ANGLE		
7.	818-543C	DECAL DANGER PD GUARD MISS SML		
8.	818-556C	DECAL DANGER THROWN OBJ CUTTER		
9.	818-561C	DECAL DANGER RAISED WING HAZAR		
10.	818-564C	DECAL DANGER ROTATING BLADES		
11.	818-830C	DECAL SAFETY COMBO SUNWEST		
12.	818-840C	DECAL DANGER ROLLOVER HAZARD		
13.	818-862C	DECAL 5 YEAR GEARBOX WARRANTY		
14.	838-094C	DECAL WARNING HYD PRESS LONG		
15.	838-475C	DECAL BLADE ROTATION		
16.	838-588C	FOLDING CUTTER SPEED WARNING		
17.	838-614C	DECAL REFLECTOR RED 2X9		
18.	838-615C	DECAL REFLECTOR AMBER 2X9		
19.	848-159C	DECAL LANDPRIDE 10" BROWN/GOLD		
20.	848-631C	DECAL LANDPRIDE 24" GREEN	BEIGE UNIT	
20.	848-128C	DECAL LANDPRIDE 25-GOLD	GREEN / ORNGE / RED UNITS	
21.	848-637C	DECAL RC2512 GREEN	BEIGE UNIT	
21.	848-638C	DECAL RC2512 GOLD	GREEN / ORNGE / RED UNITS	
22.	858-361C	DECAL RANGER 2		
23.	858-381C	DECAL JACK ADJUSTMENT		
24.	858-558C	DECAL, CAUTION DRVLN DAMAGE		

Dual Remote Plumbing Kit

Applies to RC2512 S/N 945550-, RC2512 SERIES 2 S/N 945551+



30712

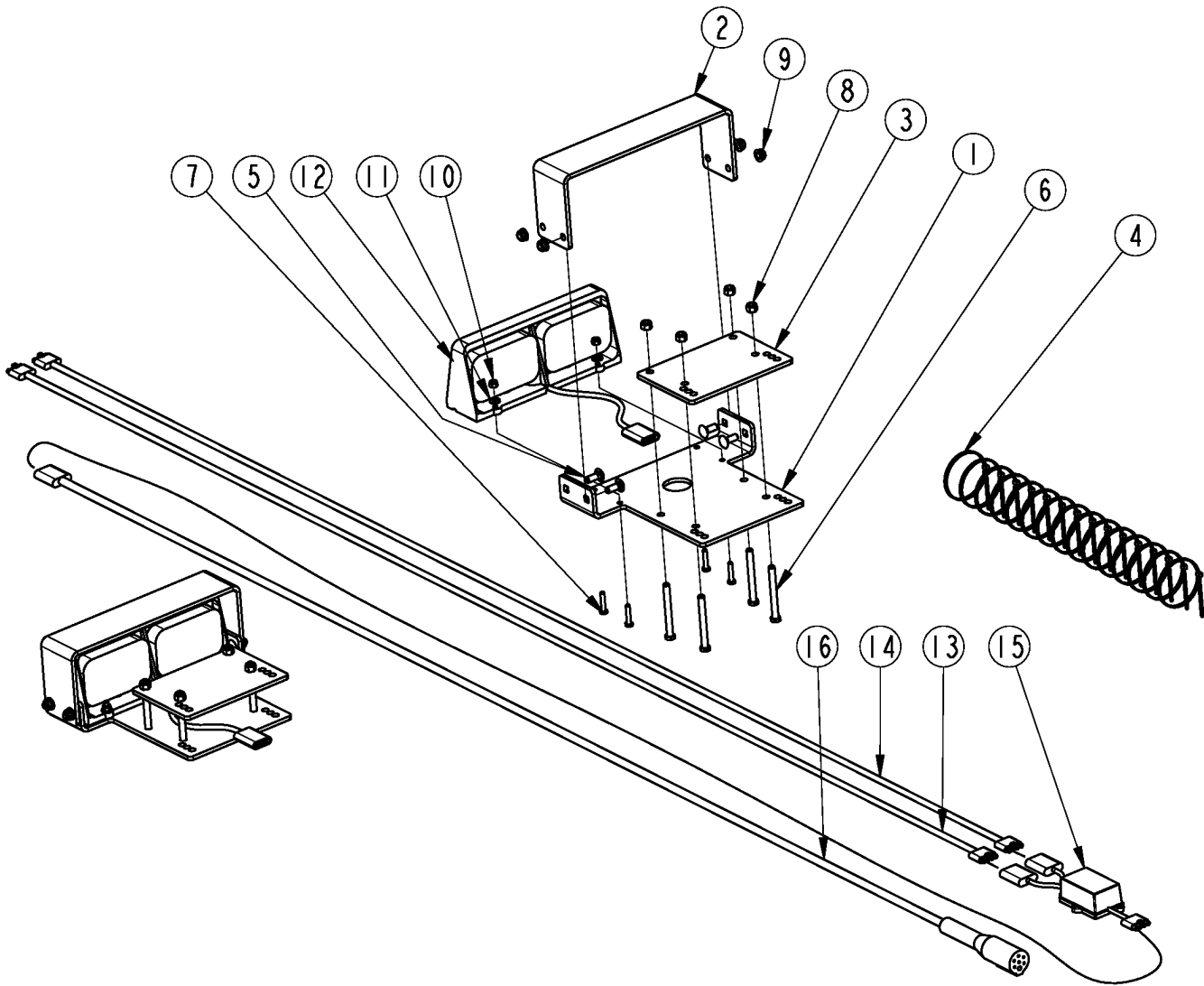
Dual Remote Plumbing Kit

Applies to RC2512 S/N 945550-, RC2512 SERIES 2 S/N 945551+

Ref	Part No.	Part Description	Comments	Revision
	dwg30712	Drawing Image Number		
1.	330-760K	KIT, RC2512 DUAL REMOTE HYD		
2.	811-356C	TE 9/16MJIC BH 9/16MJIC 9/16MJ		
3.	811-394C	CP 3/4FORB MALE QD POPPET TYPE		
4.	811-633C	HH3/8R1 162 3/4MORB 9/16 FJIC		
5.	811-675C	PL 9/16MORB HEX HEAD		

Folding Cutter Light Kit 2

Applies to RC2512 S/N 945550-, RC2512 SERIES 2 S/N 945551+



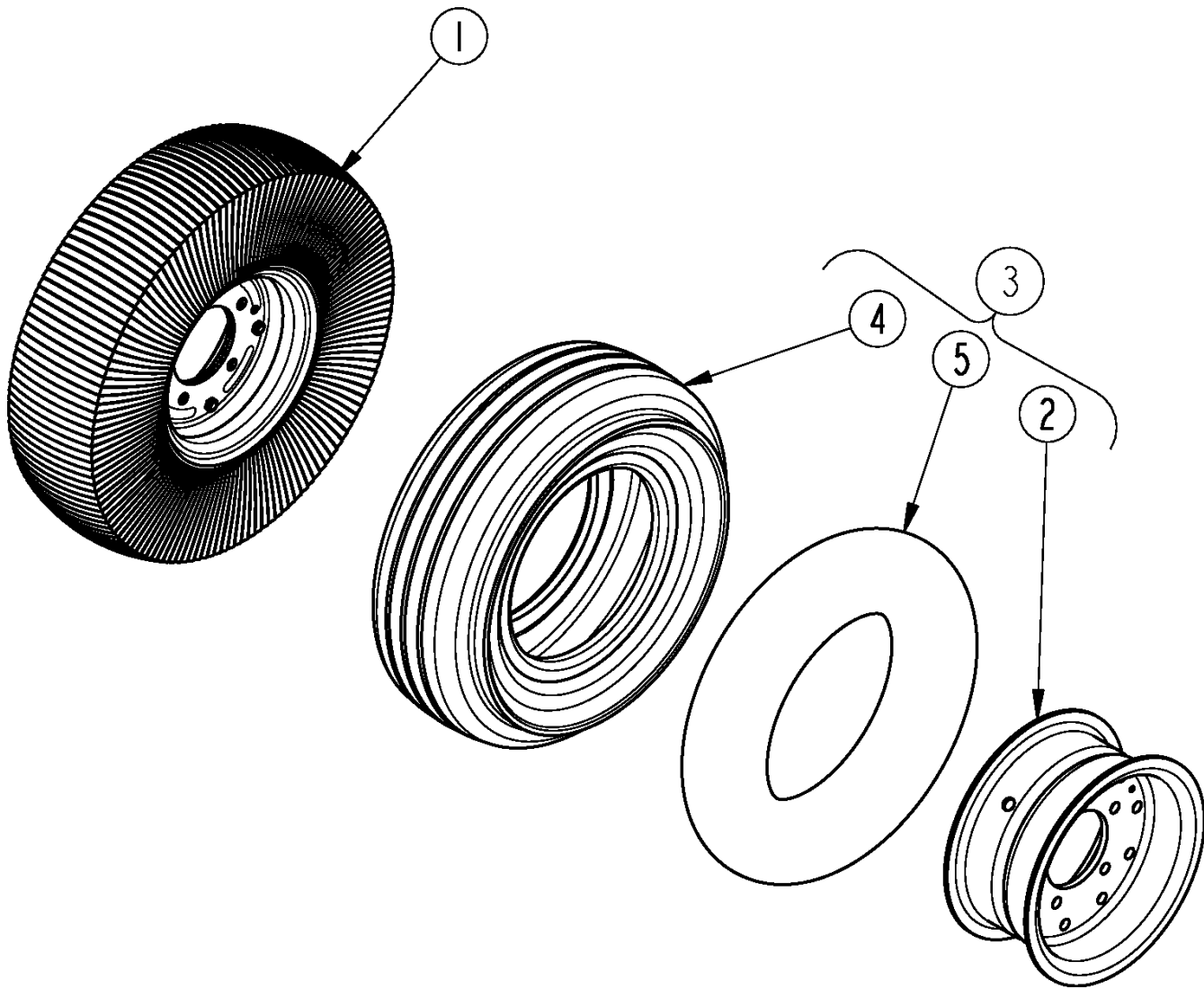
37521

Folding Cutter Light Kit 2**Applies to RC2512 S/N 945550-, RC2512 SERIES 2 S/N 945551+**

Ref	Part No.	Part Description	Comments	Revision
	Dwg 37521	Image No.		
	331-470A	FOLDING CUTTER LIGHT KIT 2"		
1.	330-965D	LIGHT MNT		
2.	330-966D	LIGHT GUARD		
3.	330-967D	LIGHT MNT CLAMP		
4.	800-060C	CABLE TIE .19X14.25 3DIA 50LB		
5.	802-015C	RHSNB 3/8-16X1 GR5		
6.	802-147C	HHCS 3/8-16X3 1/2 GR5		
7.	802-224C	HHCS 1/4-20X1 1/4 GR5		
8.	803-078C	NUT LOCK 3/8-16 NYLON INSERT		
9.	803-209C	NUT FLANGE LOCK 3/8-16 PLT		
10.	803-255C	NUT HEX NYLOCK 1/4-20		
11.	804-007C	WASHER FLAT 1/4 SAE PLT		
12.	891-522C	DUAL LED LIGHT LH		
12.	891-523C	DUAL LED LIGHT RH		
13.	891-529C	RH LIGHT WIRE HARNESS 8'		
14.	891-530C	LH LIGHT WIRE HARNESS 8'		
15.	891-531C	ENHANCE MODULE		
16.	891-532C	LEAD WIRE HARNESS 8'		

RC2512 Tire Options

Applies to RC2512 S/N 945550-, RC2512 SERIES 2 S/N 945551+



35877

RC2512 Tire Options

Applies to RC2512 S/N 945550-, RC2512 SERIES 2 S/N 945551+

Ref	Part No.	Part Description	Comments	Revision
	dwg35877	Drawing Image Number		
1.	814-265C	TIRE & WHL LAM. 6X9X21(5-BOLT)		
2.	814-296C	RIM 2PC 5BLT 10X6		
3.	814-394C	AC TIRE 20.5X6.75-10 2PC 5-BLT		
4.	814-395C	TIRE 20.5X6.75-10 (814-394C)		
5.	814-396C	TUBE FOR 20.5X6.75-10(814-394C)		

Table of Contents Part Number Index



Part Number Index (continued)

Part Number	Page	Part Number	Page	Part Number	Page	Part Number	Page
802-057C	11, 15	810-882C	65, 67	826-683C	11, 13, 39	dwg30616	69
802-070C	21	810-886C	61	826-774C	11, 13, 15, 17, 51	dwg30643	39
802-074C	19	811-062C	67	826-775C	15, 17, 53	dwg30644	35
802-096C	19, 21	811-180C	67	826-813C	13, 37	dwg30645	43
802-098C	19, 21, 25, 27	811-337C	67	826-814C	17, 45	dwg30646	47
802-099C	25, 27	811-356C	75	83200409	13	dwg30647	49
802-106C	11, 13, 21	811-394C	67, 75	838-094C	71, 73	dwg30712	75
802-116C	19	811-439C	67	838-475C	71, 73	dwg30739	41
802-147C	77	811-633C	67, 75	838-588C	71, 73	dwg30846	63
802-155C	31	811-675C	75	838-614C	71, 73	dwg33915	57
802-212C	23	812-388C	69	838-615C	71, 73	dwg35301	65
802-224C	77	8123.340.378.11	45	840-273C	11, 13, 15, 17	dwg35877	79
802-254C	69	8123.440.737.11	45	848-128C	71, 73	dwg37352	9
802-269C	69	814-265C	79	848-159C	71, 73	HM.129	35, 43
802-277C	7, 9	814-296C	79	848-631C	71, 73	N/A	61, 63, 65
802-314C	15, 17	814-394C	79	848-637C	71, 73		
802-365C	21	814-395C	79	848-638C	71, 73		
802-603C	15, 17	814-396C	79	848-676C	71		
802-715C	69	8146.241.057.1	45	858-064C	71		
802-779C	25, 27	815-237C	25, 27	858-065C	71		
803-014C	15, 17, 61, 63, 65	815-242C	25, 27	858-066C	71		
803-019C	21, 25, 27	815-243C	25, 27	858-361C	73		
803-020C	21	815-244C	25, 27	858-381C	73		
803-031C	21	8151.015.424.1	45	858-558C	73		
803-038C	19, 21, 25, 27, 69	816-481C	11, 13	86810-1008	39		
803-053C	25, 27	816-497C	25, 27	890-118C	19, 21		
803-075C	23	817-259C	11	890-175C	33		
803-078C	77	818-045C	71, 73	890-182C	19		
803-088C	13	818-130C	71, 73	890-341C	29, 31, 33		
803-147C	69	818-142C	71, 73	890-400C	29, 31		
803-148C	11, 13, 15, 17, 19, 69	818-190C	71, 73	891-246C	19, 21		
		818-229C	71, 73	891-282C	13		
803-169C	11, 13	818-230C	71	891-522C	77		
803-170C	7, 9	818-276C	71, 73	891-523C	77		
803-181C	21	818-540C	43	891-529C	77		
803-198C	15, 17, 29, 31, 33	818-543C	71, 73	891-530C	77		
803-209C	19, 21, 77	818-552C	43	891-531C	77		
803-255C	11, 13, 77	818-556C	71, 73	891-532C	77		
803-258C	19	818-561C	71, 73	92-25452	39		
803-263C	13, 17, 39	818-564C	71, 73	93-25452	39		
803-265C	23	818-830C	71, 73	96-25452	39		
803-280C	41	818-840C	71, 73	97-25452	39		
803-299C	23	818-862C	71, 73	98-25452	39		
803-310C	25, 27	8180.014.232	45	99-25452	39		
804-007C	11, 13, 77	8180.014.233	45	A.248.500	47, 49, 51, 53		
804-009C	11, 13, 15, 17	8180.014.240	45	A.267.503	47, 49		
804-010C	11, 13, 15, 17	820-198C	7, 9	A244.501	47, 49		
804-011C	19, 21	820-437C	7, 9	Dwg 37484	13		
804-013C	15, 17	820-438C	7, 9	Dwg 37485	21		
804-015C	11, 21	822-020C	25, 27	Dwg 37486	31		
804-017C	69	822-021C	25, 27	Dwg 37487	37		
804-025C	23	822-033C	25, 27	Dwg 37488	45		
804-027C	21	822-034C	25, 27	Dwg 37489	73		
804-028C	19, 21	822-166C	47, 49, 51, 53	Dwg 37490	17		
804-029C	69	822-167C	51, 53	Dwg 37521	77		
804-147C	7, 9	822-188C	47, 49, 55, 57	Dwg 37563	51		
804-216C	25, 27	822-189C	55	Dwg 37564	53		
805-045C	23	822-190C	55	dwg10219	59		
805-083C	23	82200515	13	dwg18782	55		
805-088C	69	826-240C	15, 17	dwg25901	61		
805-104C	69	826-280C	11, 13, 55, 57	dwg30603	7		
805-126C	13	826-390C	11, 15, 47	dwg30605	11		
805-131C	69	826-487C	11, 13, 15, 17, 47, 49, 51, 53	dwg30606	15		
805-246C	25, 27			dwg30608	19		
807-023C	19, 21	826-491C	11, 13, 17, 47, 49, 51, 53	dwg30609	25		
807-271C	69			dwg30610	27		
810-119C	59	826-497C	15	dwg30611	23		
810-200C	59, 61, 67	826-519C	11, 13	dwg30612	29		
810-210C	59	826-665C	11, 35	dwg30613	33		
810-722C	63, 67	826-667C	15, 43	dwg30614	71		
810-818C	67	826-677C	15, 49	dwg30615	67		



Great Plains Manufacturing, Inc.

Corporate Office: P.O. Box 5060
Salina, Kansas 67402-5060 USA

www.landpride.com

Free Manuals Download Website

<http://myh66.com>

<http://usermanuals.us>

<http://www.somanuals.com>

<http://www.4manuals.cc>

<http://www.manual-lib.com>

<http://www.404manual.com>

<http://www.luxmanual.com>

<http://aubethermostatmanual.com>

Golf course search by state

<http://golfingnear.com>

Email search by domain

<http://emailbydomain.com>

Auto manuals search

<http://auto.somanuals.com>

TV manuals search

<http://tv.somanuals.com>