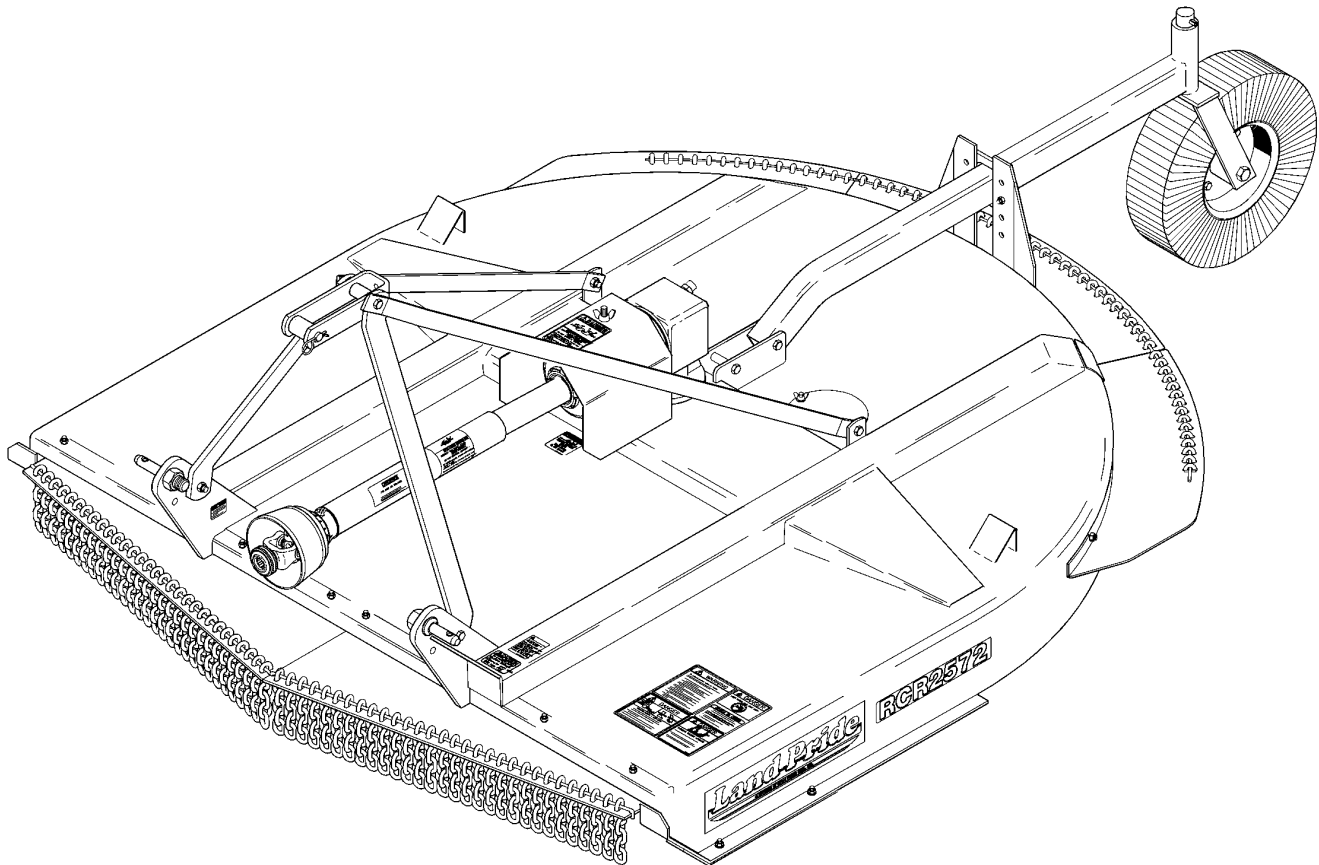


Rotary Cutter

RCR2560, RCR2572, RCR2584 & RCR2684



13453

312-459P **Parts Manual**



Read the Operator's manual entirely. When you see this symbol, the subsequent instructions and warnings are serious - follow without exception. Your life and the lives of others depend on it!

© Copyright 2009 Printed 02/12/09

Cover photo may show optional equipment not supplied with standard unit.





Table of Contents

Section 1: Introduction.....4
 Using This Manual.....4
 Manual Replacement Information.....4
 Manual Revisions.....4
 Touch-up Paint.....4
 Hardware Legend.....5
 Replacement Hardware.....5
 Serial Numbers.....5
 Part Number Service Coding.....5

Section 2: Decks.....6
 Check Chain.....6
 Check Chain.....8
 Deck.....10
 Deck.....14
 Driveline & Bearing Support.....16
 Hitch 3-Point Quick S/N 584254-.....18
 Hitch 3-Point Quick S/N 584255+.....20
 Hitch A-Frame S/N 584254-.....22
 Hydraulic Lift.....24
 Rear Axle.....26
 Tailwheel.....28
 Tailwheel Dual.....30
 Tailwheel Single.....32
 Tongue.....34

Section 3: Guards.....36
 Guard Front Chain.....36
 Guard Front Rubber.....38
 Guard Front Safety Chain.....40
 Guard Front Safety Rubber.....42
 Guard Rear Chain.....44
 Guard Rear Safety Chain.....46

Section 4: Drivelines.....48
 Driveline (826-146C) EC New Shields.....48
 Driveline (826-146C) EC Old Shields.....50
 Driveline (826-147C) EC New Shields.....52
 Driveline (826-147C) EC Old Shields.....54
 Driveline Fixed Shaft (826-151C) EC New Shielding.....56
 Driveline Fixed Shaft (826-151C) EC Old Shielding.....58
 Driveline Jackshaft (826-152C) EC New Shielding.....60
 Driveline Jackshaft (826-152C) EC Old Shielding.....62
 Driveline Lift Type Cutter (826-150C) EC New Shielding..64
 Driveline Lift Type Cutter (826-150C) EC Old Shielding....66
 Driveline Slip Clutch (1466030).....68
 Driveline Slip Clutch (1466030).....70

Section 5: Gearboxes.....72
 Gearbox (826-035C) ITG (S/N 160730 to 191029).....72
 Gearbox (826-035C) OMNI (S/N 160729-).....74
 Gearbox (826-035C) OMNI (S/N 191030+).....76
 Gearbox (826-038C) OMNI.....78

Gearbox (826-377C) Comer.....80

Section 6: Hydraulics.....82
 Hydraulic Cylinder (810-200C) Midway.....82
 Hydraulic Cylinder (810-200C) Red Lion.....84

Section 7: Labels.....86
 Label Placement.....86
 Label Placement.....88

Part Number Index.....90

© Copyright 2009. All rights reserved.

Land Pride provides this publication "as is" without warranty of any kind, either expressed or implied. While every precaution has been taken in the preparation of this manual, Land Pride assumes no responsibility for errors or omissions. Neither is any liability assumed for damages resulting from the use of the information contained herein. Land Pride reserves the right to revise and improve its products as it sees fit. This publication describes the state of this product at the time of its publication, and may not reflect the product in the future. The illustrations in this manual are not intended for safe and proper assembly or disassembly of equipment. The illustrations are intended for ordering parts only.

Land Pride is registered trademark.

All other brands and product names are trademarks or registered trademarks of their respective holders.

Printed in the United States of America.



Alphabetized Table of Contents

C

Check Chain.....6
 Check Chain.....8

D

Deck.....10
 Deck.....14
 Driveline & Bearing Support.....16
 Driveline (826-146C) EC New Shields.....48
 Driveline (826-146C) EC Old Shields.....50
 Driveline (826-147C) EC New Shields.....52
 Driveline (826-147C) EC Old Shields.....54
 Driveline Fixed Shaft (826-151C) EC New Shielding....56
 Driveline Fixed Shaft (826-151C) EC Old Shielding....58
 Driveline Jackshaft (826-152C) EC New Shielding.....60
 Driveline Jackshaft (826-152C) EC Old Shielding.....62
 Driveline Lift Type Cutter (826-150C) EC New
 Shielding.....64
 Driveline Lift Type Cutter (826-150C) EC Old
 Shielding.....66
 Driveline Slip Clutch (1466030).....68
 Driveline Slip Clutch (1466030).....70

G

Gearbox (826-035C) ITG (S/N 160730 to 191029).....72
 Gearbox (826-035C) OMNI (S/N 160729-).....74
 Gearbox (826-035C) OMNI (S/N 191030+).....76
 Gearbox (826-038C) OMNI.....78
 Gearbox (826-377C) Comer.....80
 Guard Front Chain.....36
 Guard Front Rubber.....38
 Guard Front Safety Chain.....40
 Guard Front Safety Rubber.....42
 Guard Rear Chain.....44
 Guard Rear Safety Chain.....46

H

Hitch 3-Point Quick S/N 584254-.....18
 Hitch 3-Point Quick S/N 584255+.....20
 Hitch A-Frame S/N 584254-.....22
 Hydraulic Cylinder (810-200C) Midway.....82
 Hydraulic Cylinder (810-200C) Red Lion.....84
 Hydraulic Lift.....24

L

Label Placement.....86
 Label Placement.....88

R

Rear Axle.....26

T

Tailwheel.....28
 Tailwheel Dual.....30
 Tailwheel Single.....32
 Tongue.....34

General Information

Using This Manual

This manual is divided into sections. The first section contains General Information. The remaining sections divide the machine into segments (i.e. Frames, Drives, Hydraulics, etc.) which illustrate and list all parts. A Parts Number Index is located at the back of the book.

The Land Pride parts in this manual are specially designed for this machine and should be replaced with Land Pride parts only.

The information in this manual is current at time of printing. Some parts may change to assure top performance.

Right-hand and left-hand as used in this manual are determined by facing the direction the machine will travel while in use.

Below is an example of two facing pages from a parts manual. Familiarize yourself with the type of information contained on these pages.

Manual Replacement Information

Replacement manuals are available. Refer to our website at www.landpride.com or e-mail us at lit@landpride.com for additional information. Our website continues to provide the most up-to-date manuals available.

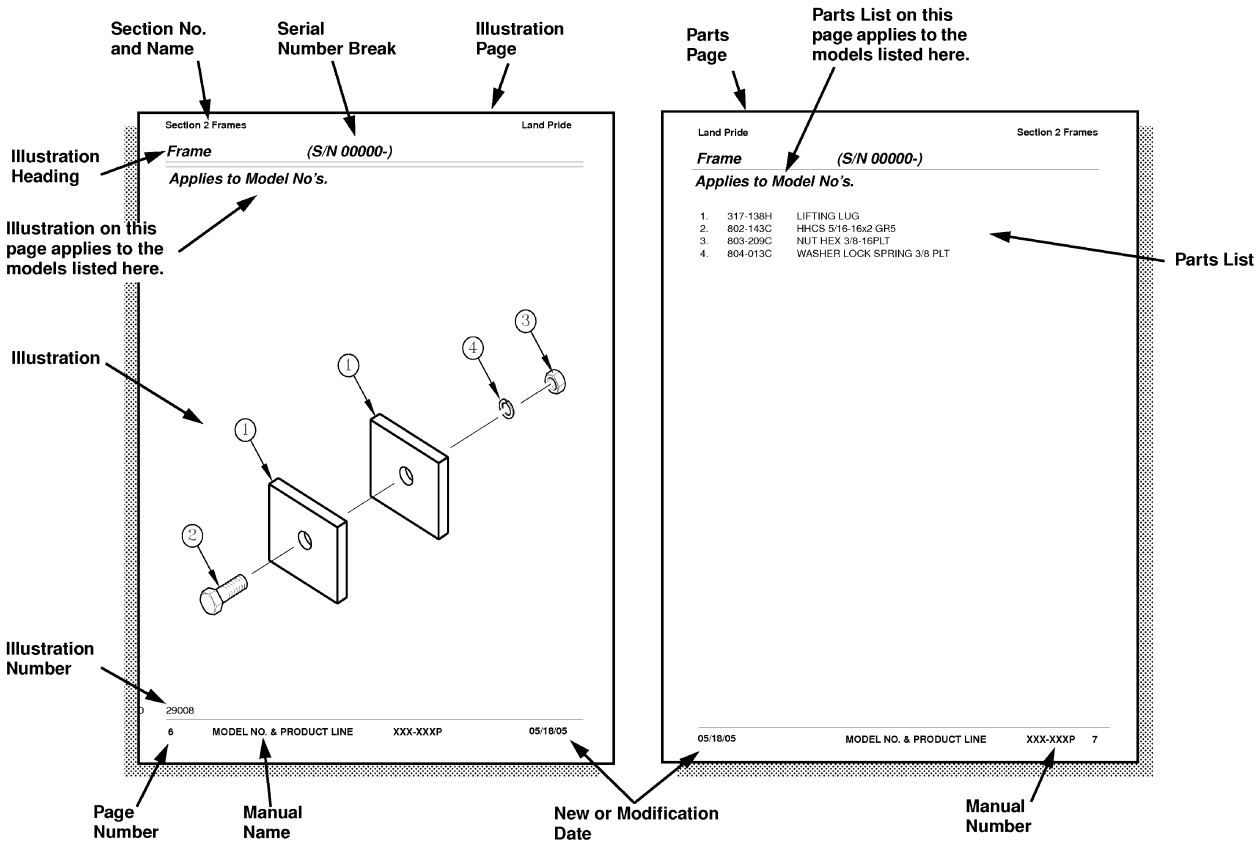
Touch-up Paint

Repaint parts where paint is worn or scratched to prevent rust. Aerosol cans and touch-up bottles with brush applicator are available through your local dealer. Land Pride color descriptions and part numbers are listed below. Also available are quart and gallon size paints. Add QT or GL to end of the Aerosol P/N.

Color	Product ¹	Aerosol	Touch-Up
Gloss Black	LP	821-032C	821-032CTU
Medium Gloss Black	UV	821-053C	821-053CTU
Beige	LP	821-011C	821-011CTU
Green	SLP	821-058C	821-058CTU
Orange	SLP	821-066C	821-066CTU
Red	SLP/UV	821-054C	821-054CTU
Blue	SLP/UV	821-067C	821-067CTU
Dark Green Sparkle	UV	821-055C	821-055CTU
Gondo Forest Green	UV	821-057C	821-057CTU
Brite Yellow ²	UV	821-056C	821-056CTU
Gondo Yellow ³	UV	821-059C	821-059CTU

Notes:

- 1 LP = All Land Pride Products except Utility Vehicles
SLP = Select Land Pride Products that are available in optional Green, Orange, Red, & Blue colors.
UV = Utility Vehicles
- 2 Used on Trekkers and (Runabouts with S/N 407628-)
- 3 Used on Gondos and (Runabouts with S/N 407629+)



General Information

Hardware Legend

AR	As Required
BLADE	Blade Bolt
C	Cap Screw
CP	Cotter Pin
CPHSSS	Cup Point Hex Socket Set Screw
CPSHSS	Cup Point Square Head Set Screw
CPSQHSS	Cup Point Square Head Set Screw
CRFCHMS3	Cross Recess Flat Countersunk Head Machine Screw
CRPHMS	Cross Recess Pan Head Machine Screw
CRPHTF	Cross Recess Pan Head Thread Forming
CRRHMS	Cross Recess Round Head Machine Screw
CRTHMS	Cross Recess Truss Head Machine Screw
CSNB	Countersunk Square Neck Bolt
FHMS	Flat Head Machine Screw
FTC	Full Thread Cap Screw
H	Hex Nut
HCLN	Hex Center Lock Nut
HFLCS	Hex Flange Lock Cap Screw
HFS	Hex Flange Screw
HFSLN	Hex Flange Serrated Lock Nut
HFSS	Hex Flange Serrated Screw
HHCS	Hex Head Cap Screw or Metric Bolt
HSBHCS	Hex Socket Button Head Cap Screw
HSFCHCS	Hex Socket Flat Countersunk Head Cap Screw
HSHCS	Hex Socket Head Cap Screw
HSSS	Hex Socket Head Screw
HTLN	Hex Top Lock Nut
HWHCS	Hex Washer Head Cap Screw

HWHMS	Hex Washer Head Machine Screw
HXBHCS	Hex Socket Button Head Cap Screw
J	Hex Jam Nut
JIC	37 Degree Tapered Thread
L	Helical Spring Lock Washer
LUG	Lug Bolt
NFC	National Fine Cap Screw
NPSM	National Pipe Straight Mechanical
NPTF	National Pipe Taper Fuel
P	Wide Plain Washer
PHMS	Pan Head Machine Screw
PLOW	Plow Bolt
RHMS	Round Head Machine Screw
RHSNB	Round Head Square Neck Bolt
SCREW LEVELING	Leveling Screw
SCREW THUMB	Thumb Screw
SCREW WELD	Weld Screw
SFCHMS	Slotted Flat Countersunk Head Machine Screw
SFHMS	Slotted Fillister Head Machine Screw
SP	Special
SP SCREW	Special Screw
SQHSS	Square Head Set Screw
SRHMS	Slotted Round Head Machine Screw
SSS	Socket Set Screw
STCS	Self Tapping Cap Screw
STHMS	Slotted Truss Head Machine Screw
WHEEL	Wheel Studs and Hub Long Bolts
WING	Wing Bolt

Replacement Hardware

The **Hardware Legend** above lists hardware abbreviations used in the parts list. All bolts and nuts are Grade 5 unless otherwise noted. The use of improper grades of hardware can result in personal injury, damage to equipment, or loss of property.

Colored Replacement Parts

Land Pride offers replacement parts in factory standard colors and also on select models in Green, Orange, Red and Blue. Because of the variety of colors available, special attention must be given to the part number to prevent ordering the wrong replacement part.

A suffix number corresponding to one of the colors below must be added at the end of Land Pride's part number when ordering a replacement part with that color.

81 **Green** **83** **Red**
82 **Orange** **84** **Blue**

For example, if you are ordering a replacement part with part number 555-555C and the part you need is red, then add the suffix 83 to the end of the number to make the part number read 555-555C83. Parts ordered without a suffix number will be supplied in factory standard colors.

Black Replacement Parts

Some parts are factory standard black and some must be special ordered black. If your part is special ordered black, a second part number with the additional suffix number 85 on the end will be available. In this situation you must order that part with the suffix number for it to be black. Parts that are factory standard black will not have the suffix number.

Part Number Service Coding

Within the parts list some part numbers are coded for revisions and interchangeability. See notations in revision column.

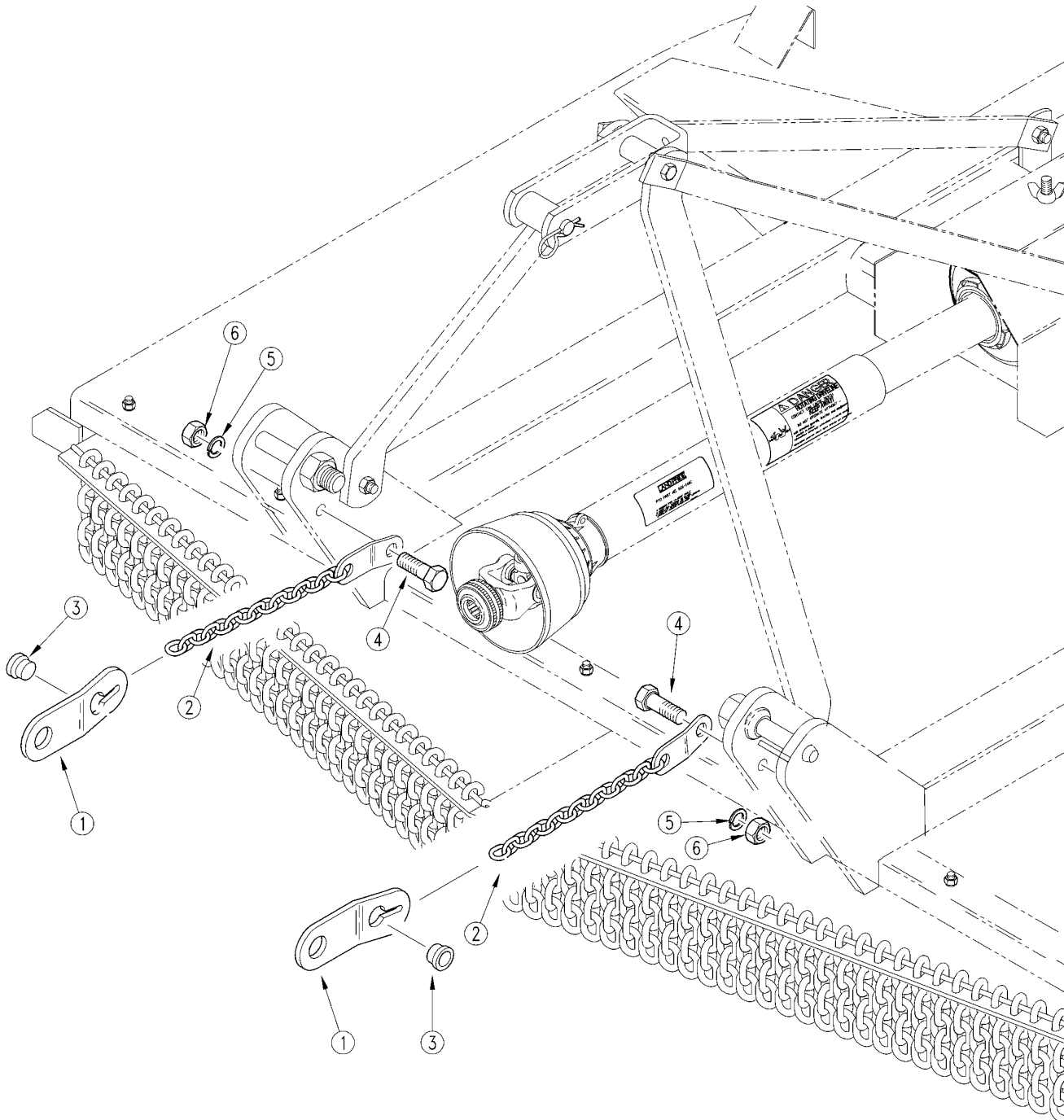
Serial Numbers

Always use the serial and model number when ordering parts. Refer to the Operator's Manual for serial number plate location.

- | | |
|----------------------|--|
| (S/N 20001+) | Includes serial numbers 20001 and above (to the latest number) |
| (S/N 10001 to 20000) | Includes serial numbers between and including 10001 and 20000 |
| (S/N 10000-) | Includes serial numbers 10000 and below (to the earliest number) |

Check Chain

Applies to RCR2560, RCR2572



13503

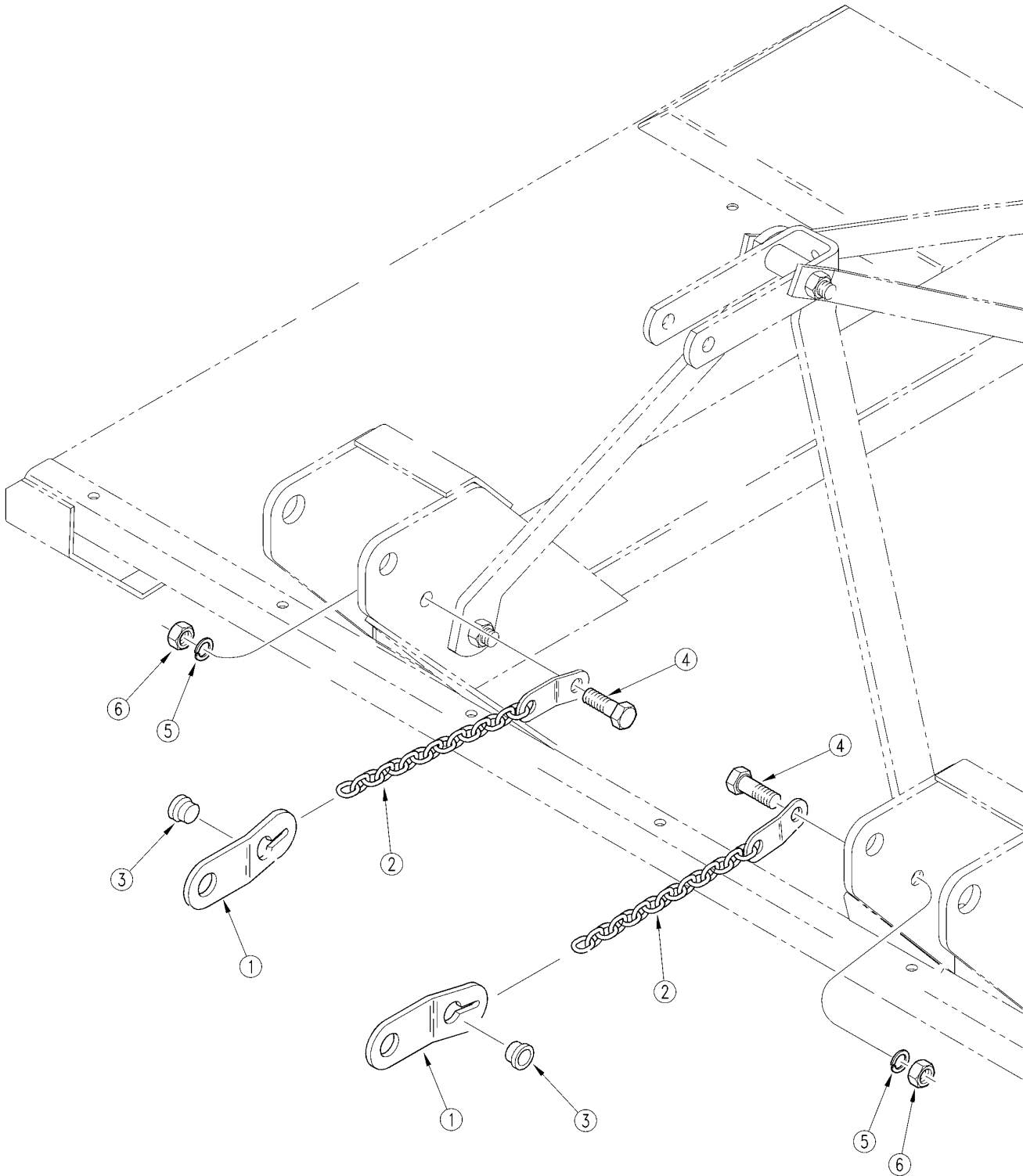
Check Chain

Applies to RCR2560, RCR2572

Ref	Part No.	Part Description	Comments	Revision
	dwg13503	Drawing Image Number		
	312-071A	CHECK CHAIN ASSY		
1.	312-136D	CHECK CHAIN MT - TRACTOR		
2.	312-062H	CHECK CHAIN WLDM'T		
3.	817-057C	PLUG CAP 1 3/8 X 3/4		
4.	802-184C	HHCS 3/4-10X1 1/2 GR5		
5.	804-023C	WASHER LOCK SPRING 3/4 PLT		
6.	803-027C	NUT HEX 3/4-10 PLT		

Check Chain

Applies to RCR2584, RCR2684



14378

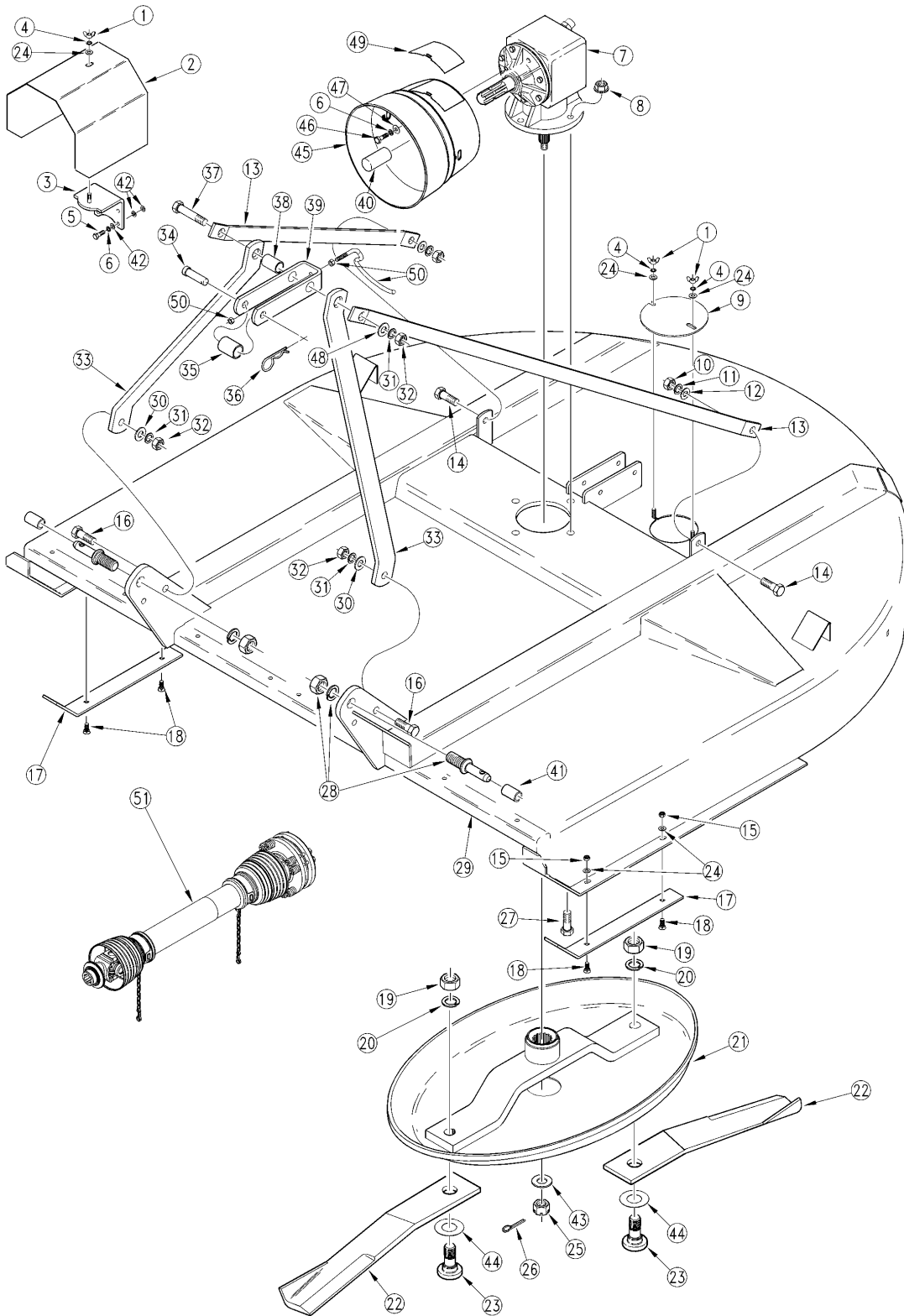
Check Chain

Applies to RCR2584, RCR2684

Ref	Part No.	Part Description	Comments	Revision
	dwg14378	Drawing Image Number		
1.	312-136D	CHECK CHAIN MT - TRACTOR		
2.	312-062H	CHECK CHAIN WLDM'T		
3.	817-057C	PLUG CAP 1 3/8 X 3/4		
4.	802-184C	HHCS 3/4-10X1 1/2 GR5		
5.	804-023C	WASHER LOCK SPRING 3/4 PLT		
6.	803-027C	NUT HEX 3/4-10 PLT		

Deck

Applies to RCR2560, RCR2572



15872

Deck**Applies to RCR2560, RCR2572**

Ref	Part No.	Part Description	Comments	Revision
	dwg15872	Drawing Image Number		
1.	803-231C	NUT WING 3/8-16 PLT	(S/N 232953-)	
2.	312-399H	SHIELD WELDMENT	(S/N 232953-)	
3.	312-400H	SHIELD MOUNT BRACKET WELDMENT	(S/N 232953-)	
4.	804-013C	WASHER LOCK SPRING 3/8 PLT	(S/N 232953-)	
5.	802-159C	HHCS 5/16-18X1 GR5	(S/N 232953-)	
6.	804-009C	WASHER LOCK SPRING 5/16 PLT		
7.	826-035C	GEARBOX RC61SS 1:1.46 INCREASE		
8.	803-299C	NUT HEX FLG TOP LK 3/4-10 PLT		
9.	312-611D	BLADE BOLT ACCESS COVER	RCR2572	
9.	312-647D	BLADE BOLT ACCESS COVER	RCR2560	
10.	803-024C	NUT LOCK 5/8-11 PLT		Rev 2; Use up stock
10.	803-021C	NUT HEX 5/8-11 PLT		Rev 1; Use up stock
11.	804-022C	WASHER LOCK SPRING 5/8 PLT	Replaced by 803-024C	Rev 1; Use up stock
12.	804-021C	WASHER FLAT 5/8 SAE PLT	Replaced by 803-024C	Rev 1; Use up stock
13.	312-608D	HITCH STRAP	RCR2572	
13.	312-646D	HITCH STRAP	RCR2560	
14.	802-051C	HHCS 5/8-11X1 1/2 GR5		Rev. 2
14.	802-053C	HHCS 5/8-11X1 3/4 GR5		Rev 1; Use up stock
15.	803-013C	NUT LOCK 3/8-16 PLT		
16.	802-064C	HHCS 3/4-10X2 GR5	(S/N 286260+)	
16.	802-212C	HHCS 3/4-10X2 1/2 GR5	(S/N 286259-)	Rev 2; Use up stock
16.	802-065C	HHCS 3/4-10X2 1/4 GR5		Rev 1; Use up stock
17.	312-602D	SKID SHOE		
18.	802-466C	PLOW 3/8-16X1 1/4 GR5		
19.	803-170C	NUT HEX TOP LOCK 1 1/8-12 PLT.		
20.	804-147C	WASHER FLAT 1 HARD ASTM436 PN		
21.	312-388H	27 OVAL DISHPAN WELDMNT(OMNI)	RCR2572	
21.	312-404H	15 ROUND DISHPAN WELDMNT(OMNI)	RCR2560	
22.	820-137C	CUTTER BLADE 1/2 X 4 X 25 CCW	Standard (Quantity 2 per cutter)	
22.	820-193C	CUTTER BLADE 1/2X4X25 LL CCW	Optional Low Lift Blade (Quantity 2 per cutter)	
23.	802-277C	BLADE BOL 1 1/8-12X3 7/16 W/KY		
24.	804-012C	WASHER FLAT 3/8 SAE PLT		
25.	803-095C	NUT HEX SLOTTED 1-14		
26.	805-017C	PIN COTTER 3/16 X 1 3/4 PLT		
27.	802-064C	HHCS 3/4-10X2 GR5		
28.	805-163C	PIN HITCH CAT. 2-1 FORGED		
29.	312-386H	RCR2572 DECK WELDMENT	Shown	
29.	312-402H	RCR2560 DECK WELDMENT		
30.	804-025C	WASHER FLAT 3/4 SAE PLT	RPBY 803-026C	
31.	804-023C	WASHER LOCK SPRING 3/4 PLT	RPBY 803-026C (S/N 286259-)	
32.	803-026C	NUT LOCK 3/4-10 PL	(S/N 286260+)	Rev. 2
32.	803-027C	NUT HEX 3/4-10 PLT	(S/N 286259-)	Rev 1; Use up stock
33.	312-607D	HITCH BRACE		
34.	805-142C	PIN CLEVIS 3/4 X 3 1/2 PLT		
35.	122-076D	PW PIVOT TUBE LONG		
36.	805-143C	PIN HAIR COTTER .120 PLT		
37.	802-070C	HHCS 3/4-10X6 GR5		
38.	312-610D	SPACER TUBE 1 1/8 OD X 3 1/8		
39.	312-609D	PIVOTING UPPER HITCH		
40.	817-050C	GEARBOX SHAFT PROTECTOR	(S/N 220346-)	
41.	827-010C	BUSHING 7/8ID X1 1/8OD,1 3/4LG		
42.	804-036C	WASHER FLAT 5/16 SAE PLT	(S/N 232954-)	
43.	804-070C	FLAT WASHER 1 SPECIAL		
44.	312-089D	BLADE SPACER 20 GA.		
45.	826-222C	LARGE SHAFT CONE W ACCESS DOOR	(S/N 232954+)	
46.	802-007C	HHCS 5/16-18X3/4 GR5	(S/N 232954+)	

Deck (continued)

Applies to RCR2560, RCR2572

Ref	Part No.	Part Description	Comments	Revision
47.	804-010C	WASHER FLAT 5/16 USS PLT	(S/N 232954+)	
48.	804-025C	WASHER FLAT 3/4 SAE PLT		
49.	38/11	MCCN ACCESS COVER		
50.	800-320C	DRIVELINE HOOK HANGER W/HRDWR	(S/N 317416+)	
51.	826-146C	PTO CAT. 4 X 39.7 SLIP CLUTCH	RCR2572	
51.	826-147C	AX6 DRIVELINE WITH SLIP CLUTCH	RCR2560	

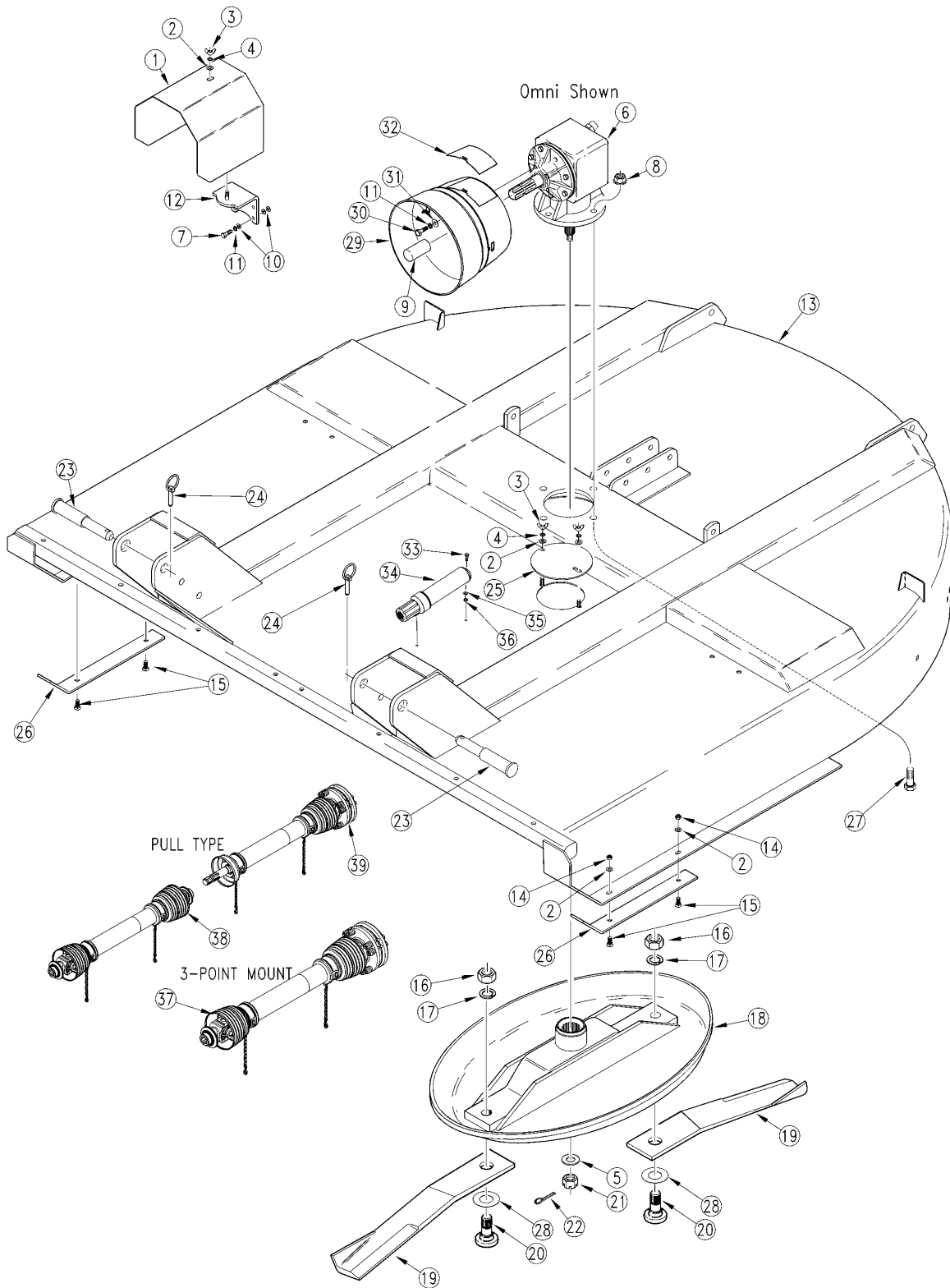
Deck (continued)

Applies to RCR2560, RCR2572

This Page Intentionally Left Blank

Deck

Applies to RCR2584, RCR2684



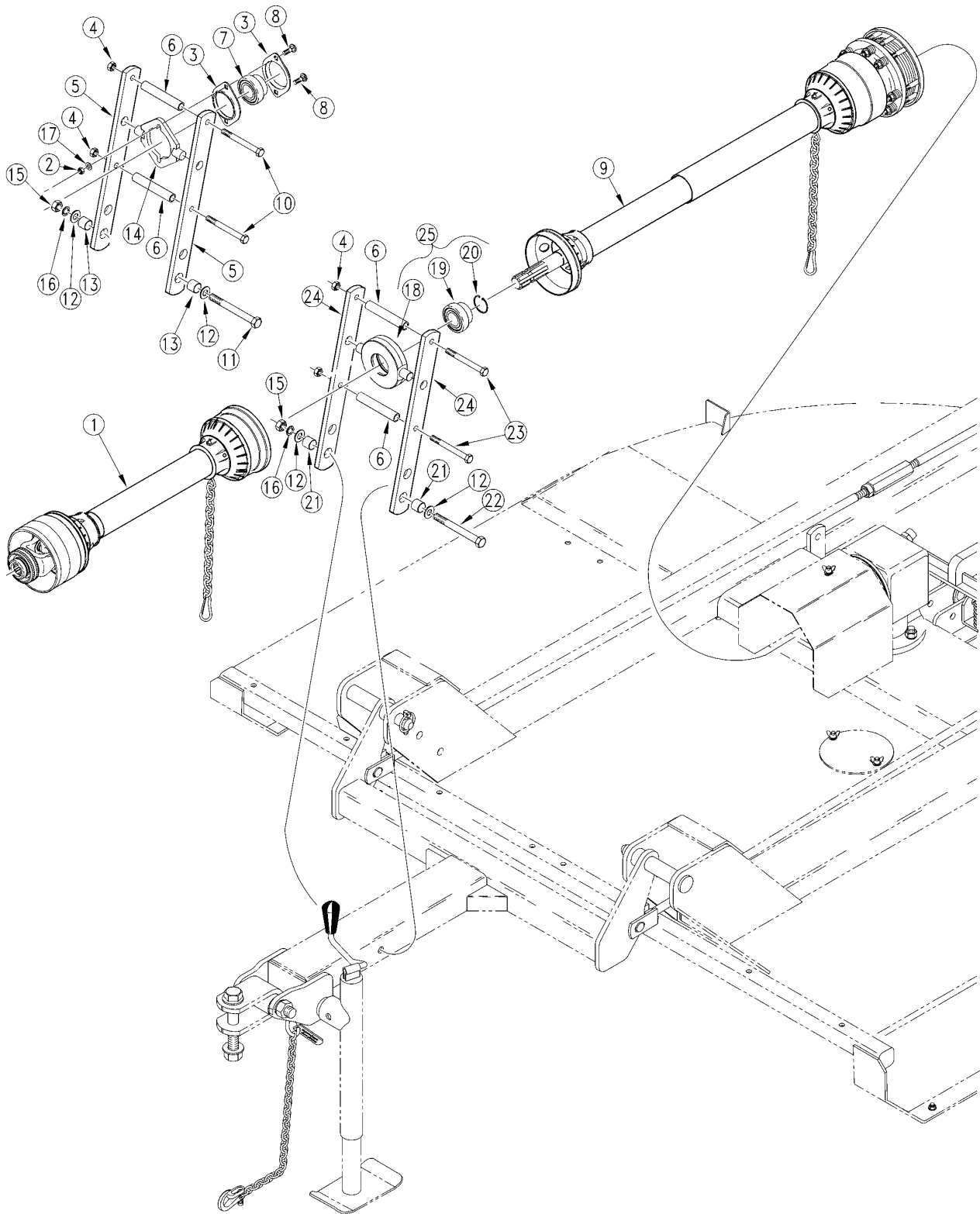
15881

Deck**Applies to RCR2584, RCR2684**

Ref	Part No.	Part Description	Comments	Revision
	dwg15881	Drawing Image Number		
1.	312-399H	SHIELD WELDMENT	(S/N 232953-)	
2.	804-012C	WASHER FLAT 3/8 SAE PLT	(S/N 232953-)	
3.	803-231C	NUT WING 3/8-16 PLT	(S/N 232953-)	
4.	804-013C	WASHER LOCK SPRING 3/8 PLT	(S/N 232953-)	
5.	804-070C	FLAT WASHER 1 SPECIAL	Used on Omni Gearbox only	
5.	0.139.7101.00	CO BLANK WASHER	Used on Comer Gearbox only	
6.	826-377C	GBOX RC25 1.38-6 1:1.21 STD.	Comer Box (SN 381566+)	Rev. 1
6.	826-377C82	GBOX 1.38-6 1:1.21 STD. ORANGE		
6.	826-038C	GEARBOX RC61SS 1:1.21 INCREASE	Omni Box (SN 381565-)	Rev. 2
7.	802-159C	HHCS 5/16-18X1 GR5	(S/N 232953-)	
8.	803-299C	NUT HEX FLG TOP LK 3/4-10 PLT		
9.	817-050C	GEARBOX SHAFT PROTECTOR	(S/N 220346-)	
10.	804-036C	WASHER FLAT 5/16 SAE PLT	(S/N 232953-)	
11.	804-009C	WASHER LOCK SPRING 5/16 PLT		
12.	312-400H	SHIELD MOUNT BRACKET WELDMENT	(S/N 232953-)	
13.	326-114H	RCR2684 DECK	(S/N 584255+)	
13.	326-114H82	RCR2684 DECK ORANGE		
13.	312-419H	RCR2584 DECK WELDMENT	(S/N 584254-)	
13.	312-419H82	RCR25/2684 DECK WMT ORANGE		
14.	803-013C	NUT LOCK 3/8-16 PLT		
15.	802-466C	PLOW 3/8-16X1 1/4 GR5		
16.	803-170C	NUT HEX TOP LOCK 1 1/8-12 PLT.		
17.	804-147C	WASHER FLAT 1 1/8 HARD ASTM F436 PN		
18.	312-818H	27 DISHPAN WLDMT LG.HUB	Used with Omni or Comer Box	
19.	820-138C	CUTTER BLADE 1/2 X 4 X 31 CCW	Standard (Quantity 2 per cutter)	
19.	820-194C	CUTTER BLADE 1/2X4X31 LL CCW	Optional Low Lift Blade (Quantity 2 per cutter)	
20.	802-277C	BLADE BOL 1 1/8-12X3 7/16 W/KY		
21.	803-095C	NUT HEX SLOTTED 1-14	Used on Omni Gearbox only	
21.	8.2.2.00555	CO NUT, CASTLE M30 X 2	Used on Comer Gearbox only	
22.	805-017C	PIN COTTER 3/16 X 1 3/4 PLT		
23.	326-204D	PIN HITCH CAT. II - III	(S/N 584255+)	
23.	300-236D	HITCH PIN	(S/N 584254-)	
24.	805-103C	PIN LYNCH 7/16 X 1 3/4		
25.	312-812D	ACCESS COVER PLATE		
25.	312-812D82	ACCESS COVER PLATE ORANGE		
25.	312-611D	RPBY 312-812D		
26.	312-602D	SKID SHOE		
26.	312-602D82	SKID SHOE ORANGE		
27.	802-065C	HHCS 3/4-10X2 1/4 GR5	(S/N 558465+)	
27.	802-064C	HHCS 3/4-10X2 GR5	(S/N 558464-)	
28.	312-089D	BLADE SPACER 20 GA.		
29.	826-222C	LARGE SHAFT CONE W ACCESS DOOR	(S/N 232954+)	
30.	802-007C	HHCS 5/16-18X3/4 GR5	(S/N 232954+)	
31.	804-010C	WASHER FLAT 5/16 USS PLT	(S/N 232954+)	
32.	38/11	MCCN ACCESS COVER		
33.	802-005C	HHCS 1/4-20X1 GR5	Used on RCR2684 S/N 538584+	
34.	816-504C	MANUAL STORAGE CONTAINER	Used on RCR2684 S/N 538584+	
35.	804-007C	WASHER FLAT 1/4 SAE PLT	Used on RCR2684 S/N 538584+	
36.	803-255C	NUT HEX NYLOCK 1/4-20	Used on RCR2684 S/N 538584+	
37.	826-150C	PTO CAT. 4 X 43.7 SLIP CLUTCH	3-Point Mount	
38.	826-151C	PTO CAT. 4 X 20.5 FIXED 540	Pull Type	
39.	826-152C	PTO CAT. 4 X 49.21 JACKSHAFT	Pull Type	

Driveline & Bearing Support

Applies to RCR2584, RCR2684



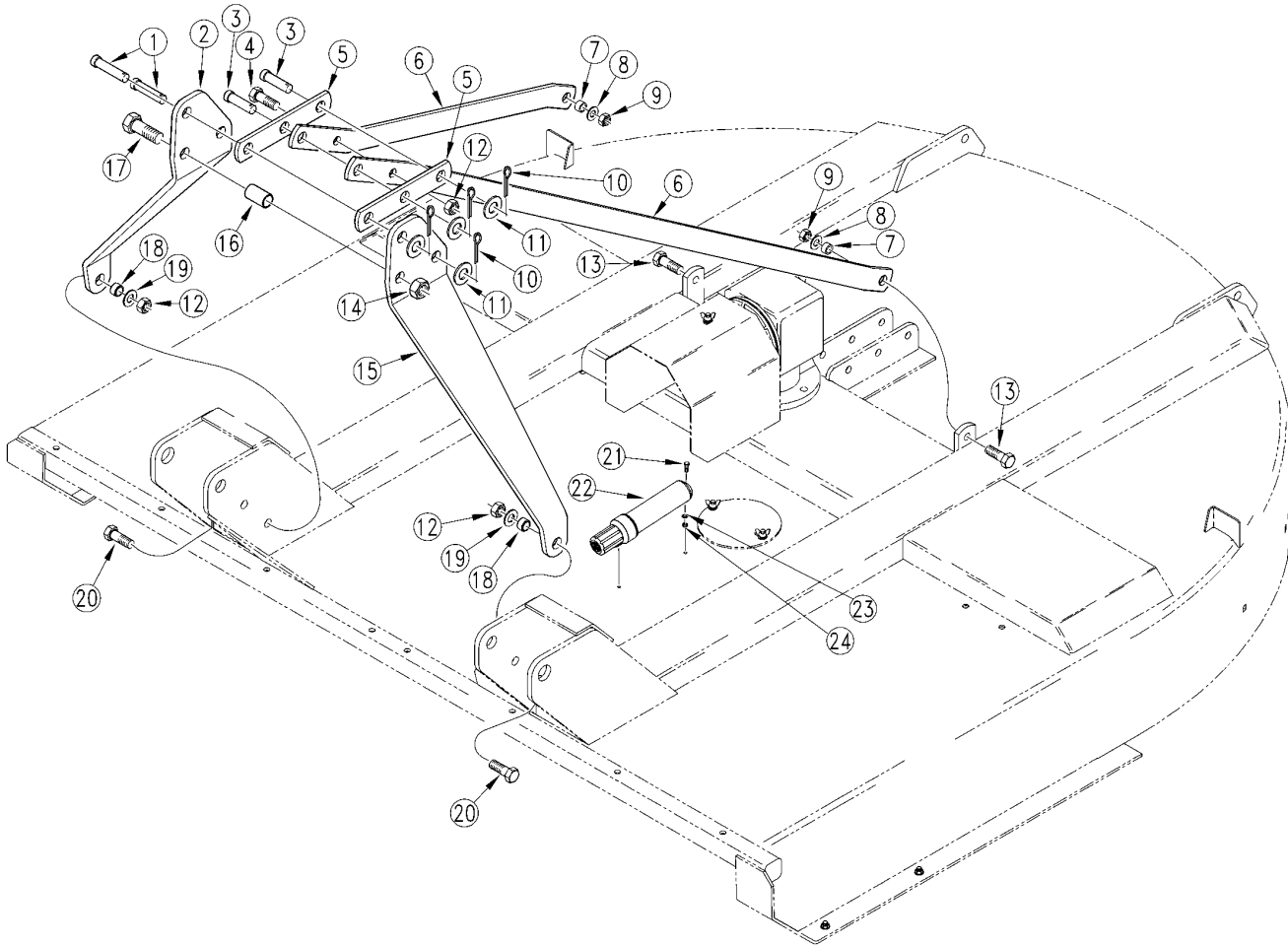
14040

Driveline & Bearing Support**Applies to RCR2584, RCR2684**

Ref	Part No.	Part Description	Comments	Revision
	dwg14040	Drawing Image Number		
1.	826-151C	PTO CAT. 4 X 20.5 FIXED		
2.	803-013C	NUT LOCK 3/8-16 PLT		
3.	822-099C	FLANGETTE 72 MST PLATED		
4.	803-019C	NUT LOCK 1/2-13 PLT		
5.	312-714D	BEARING SUPPORT		
6.	312-715D	PIPE 1/2 SCH. 40 X 4 15/16		
7.	822-098C	BRG 1 3/8 B X 72MM OD W/COLLAR		
8.	802-015C	RHSNB 3/8-16X1 GR5		
9.	826-152C	PTO CAT. 4 X 49.21 JACKSHAFT		
10.	802-260C	HHCS 1/2-13X7 GR5		
11.	802-146C	HHCS 5/8-11X7 1/2 GR5		
12.	804-021C	WASHER FLAT 5/8 SAE PLT		
13.	312-716D	TUBE 1 OD X 9/16 LG. X 5/32WL		
14.	312-422H	RPBY 312-681S		
15.	803-021C	NUT HEX 5/8-11 PLT		
16.	804-022C	WASHER LOCK SPRING 5/8 PLT		
17.	804-012C	WASHER FLAT 3/8 SAE PLT	(S/N 292594-)	
18.	312-999D	BEARING FLANGE	(S/N 292595+)	
19.	822-100C	BRG 1 3/8 B X 72MM OD W/COLLAR	(S/N 292595+)	
20.	800-069C	SNAP RING INT 2.835	(S/N 292595+)	
21.	326-002D	TUBE 1 OD X 11/16 LG. X 5/32w	(S/N 292595+)	
22.	802-146C	HHCS 5/8-11X7 1/2 GR5	(S/N 292595+)	
23.	802-260C	HHCS 1/2-13X7 GR5	(S/N 292595+)	
24.	312-833D	BEARING SUPPORT	(S/N 292595+)	
25.	312-681S	BEARING FLANGE ASSY.	Includes items 18, 19 & 20	

Hitch 3-Point Quick S/N 584254-

Applies to RCR2584, RCR2684



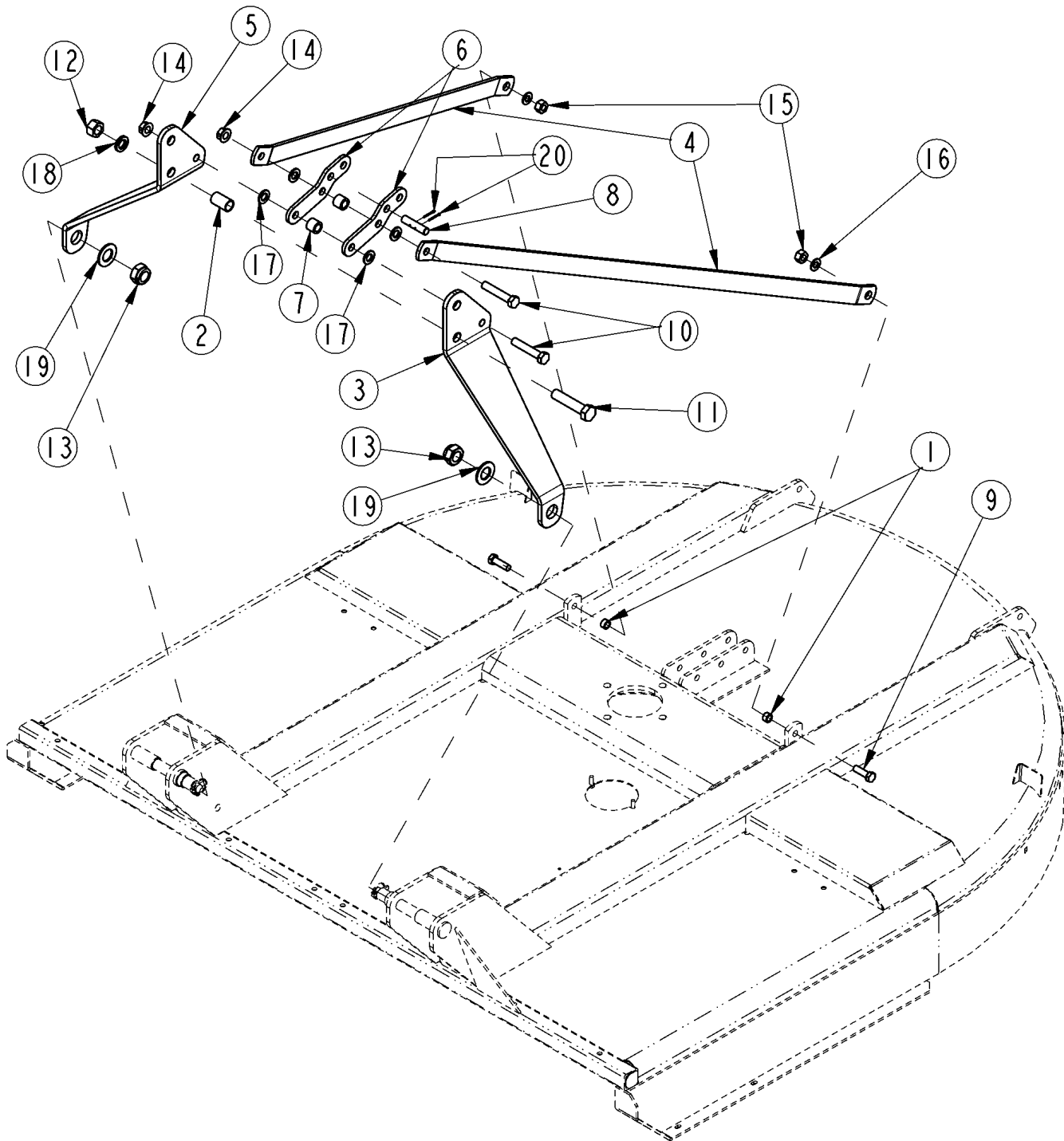
16440

Hitch 3-Point Quick S/N 584254-**Applies to RCR2584, RCR2684**

Ref	Part No.	Part Description	Comments	Revision
	dwg16440	Drawing Image Number		
1.	805-090C	PIN CLEVIS 1 X 3 3/16 LG		
2.	312-813D	A-FRAME HITCH RH.		
3.	805-137C	PIN CLEVIS 1 X 2 PLT		
4.	802-184C	HHCS 3/4-10X1 1/2 GR5		
5.	312-822D	REAR BRACE SHORT		
6.	312-829D	REAR BRACE LONG		
7.	300-312D	CAT 0 SPACER		
8.	804-021C	WASHER FLAT 5/8 SAE PLT		
9.	803-271C	NUT HEX TOP LOCK 5/8-11 PLT		
10.	805-017C	PIN COTTER 3/16 X 1 3/4 PLT		
11.	804-029C	WASHER FLAT 1 SAE		
12.	803-026C	NUT LOCK 3/4-10 PLT		
13.	802-055C	HHCS 5/8-11X2 GR5		
14.	803-168C	NUT HEX TOP LOCK 1-8 PLT		
15.	312-814D	A-FRAME HITCH LH.		
16.	312-821D	BUSHING 1 1/4ODX1 1/32IDX2LG		
17.	802-073C	HHCS 1-8X4 GR5		
18.	890-352C	BUSHING 1 OD X 3/4 ID X 5/8 LG		
19.	804-025C	WASHER FLAT 3/4 SAE PLT		
20.	802-065C	HHCS 3/4-10X2 1/4 GR5		
21.	802-005C	HHCS 1/4-20X1 GR5	(S/N 538584+)	
22.	816-504C	MANUAL STORAGE CONTAINER	(S/N 538584+)	
23.	804-007C	WASHER FLAT 1/4 SAE PLT	(S/N 538584+)	
24.	803-255C	NUT HEX 1-8 LH PLT	(S/N 538584+)	

Hitch 3-Point Quick S/N 584255+

Applies to RCR2684



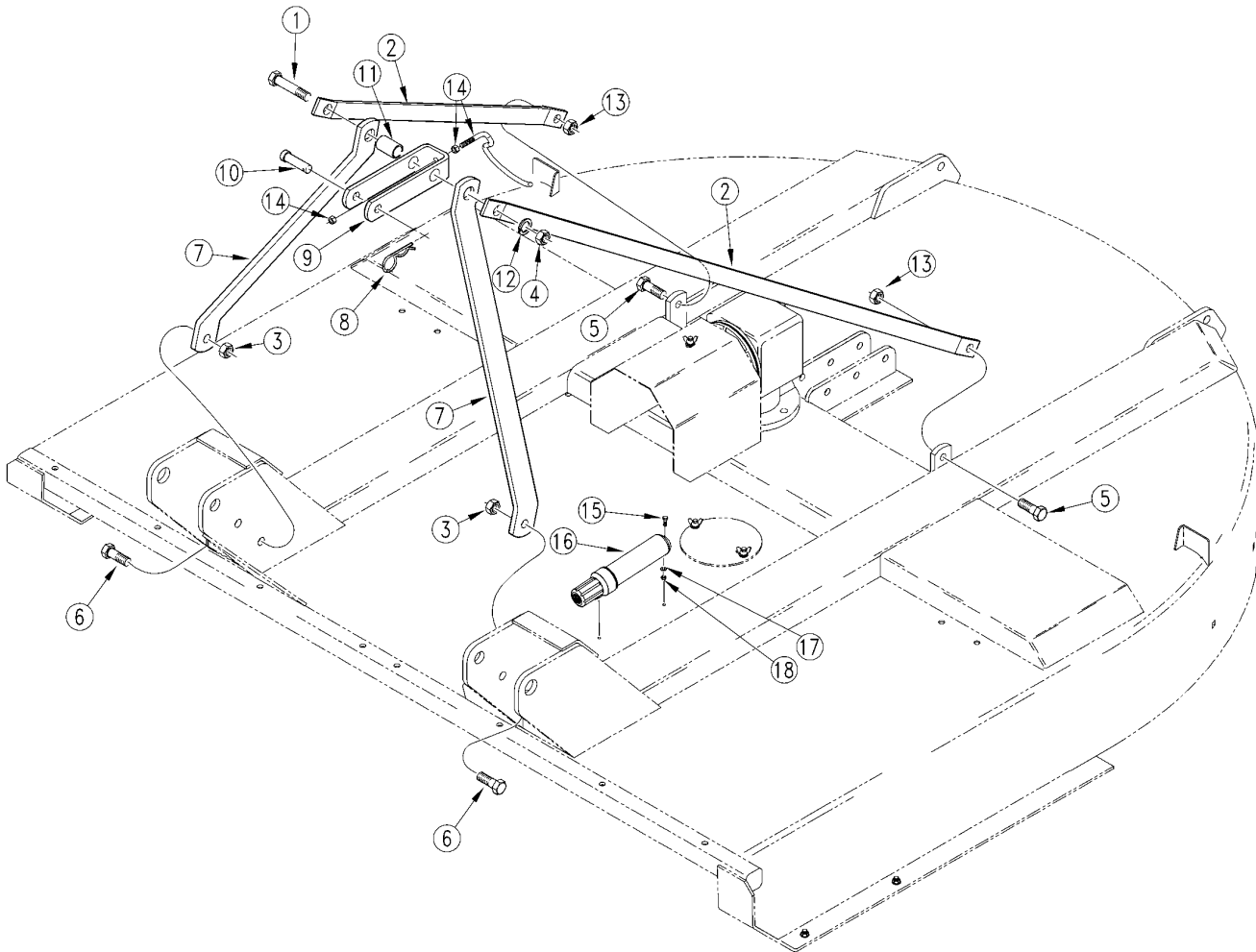
26623

Hitch 3-Point Quick S/N 584255+**Applies to RCR2684**

Ref	Part No.	Part Description	Comments	Revision
	dwg26623	Drawing Image Number		
1.	300-312D	CAT 0 SPACER		
2.	312-821D	BSHG 1 1/4ODX1 1/32IDX2 1/16LG		
3.	326-193D	HITCH STRAP LH		
4.	326-194D	REAR BRACE		
5.	326-196D	HITCH STRAP RH		
6.	326-206D	REAR BRACE HINGE		
7.	326-207D	SPACER 1 1/4ODX13/16IDX1 1/32		
8.	326-208D	PIN, STOP		
9.	802-055C	HHCS 5/8-11X2 GR5		
10.	802-068C	HHCS 3/4-10X4 GR5		
11.	802-098C	HHCS 1-8X4 1/2 GR5		
12.	803-031C	NUT HEX 1-8 PLT		
13.	803-180C	NUT HEX 1 1/4-12 PLT TOP LOCK		
14.	803-181C	NUT HEX FLANGE LOCK 3/4-10 PLT		
15.	803-271C	NUT HEX TOP LOCK 5/8-11 PLT		
16.	804-021C	WASHER FLAT 5/8 SAE PLT		
17.	804-025C	WASHER FLAT 3/4 SAE PLT		
18.	804-027C	WASHER LOCK SPRING 1 PLT		
19.	804-039C	WASHER FLAT 1 1/4 SAE PLT		
20.	805-109C	PIN COTTER 1/8 X 1 1/4 PLT		

Hitch A-Frame S/N 584254-

Applies to RCR2584, RCR2684



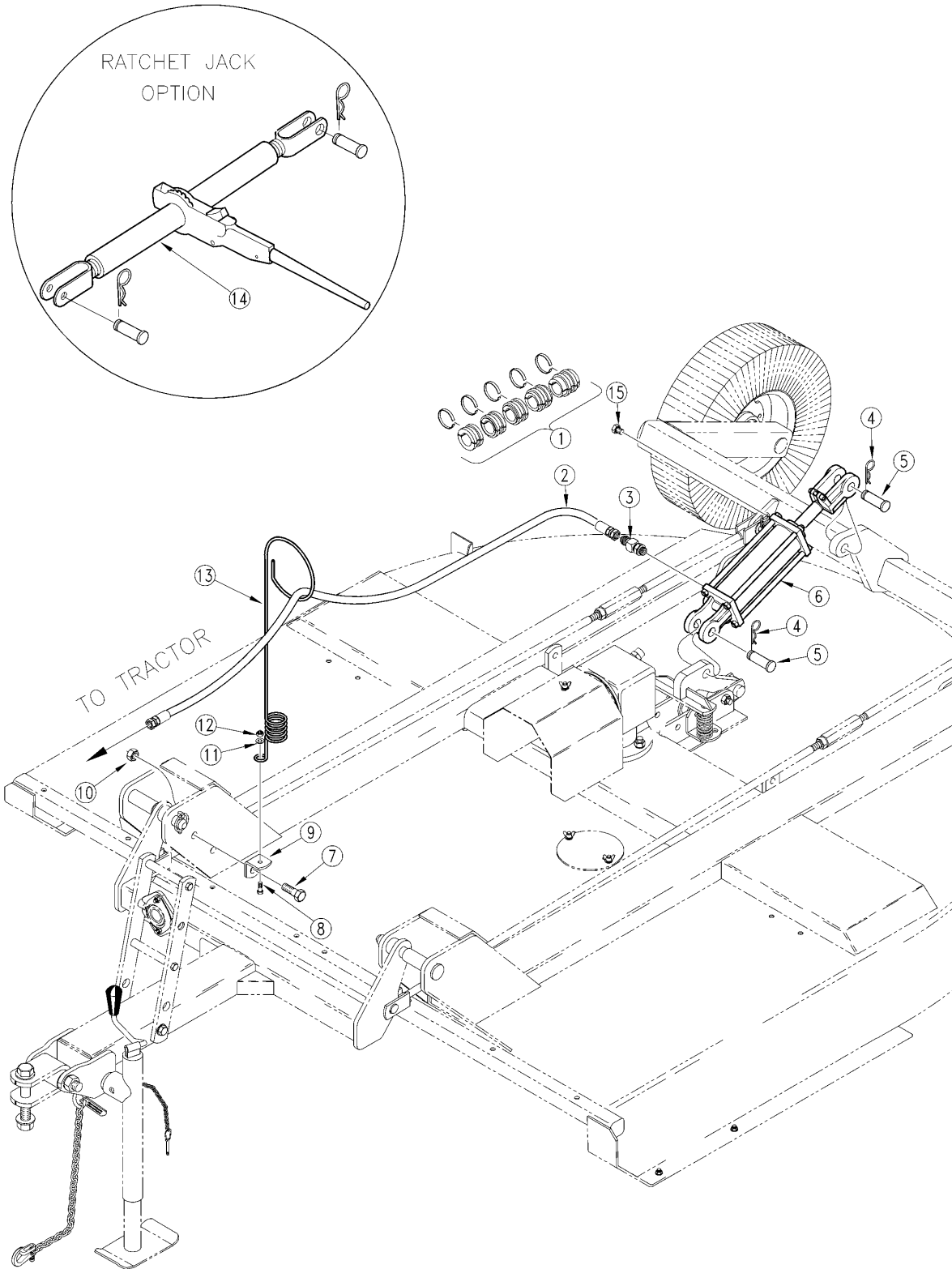
14031

Hitch A-Frame S/N 584254-**Applies to RCR2584, RCR2684**

Ref	Part No.	Part Description	Comments	Revision
	dwg14031	Drawing Image Number		
1.	802-074C	HHCS 1-8X6 1/2 GR5		
2.	312-685D	REAR BRACE		
3.	803-026C	NUT LOCK 3/4-10 PLT		
4.	803-031C	NUT HEX 1-8 PLT		
5.	802-051C	HHCS 5/8-11X1 1/2 GR5		
6.	802-064C	HHCS 3/4-10X2 GR5		
7.	312-684D	A-FRAME FLAT		
8.	805-088C	PIN, HAIR COTTER 3/16 WIRE DIA		
9.	312-699D	PIVOTING UPPER HITCH		
10.	805-090C	PIN CLEVIS 1 X 3 3/16 LG		
11.	312-694D	TUBE 1 5/16 OD X 3 1/8 LG.		
12.	804-027C	WASHER LOCK SPRING 1 PLT		
13.	803-024C	NUT LOCK 5/8-11 PLT		
14.	800-320C	DRIVELINE HOOK HANGER W/HRDWR	(S/N 317416+)	
15.	802-005C	HHCS 1/4-20X1 GR5	(S/N 538584+)	
16.	816-504C	MANUAL STORAGE CONTAINER	(S/N 538584+)	
17.	804-007C	WASHER FLAT 1/4 SAE PLT	(S/N 538584+)	
18.	803-255C	NUT HEX NYLOCK 1/4-20	(S/N 538584+)	

Hydraulic Lift

Applies to RCR2584, RCR2684



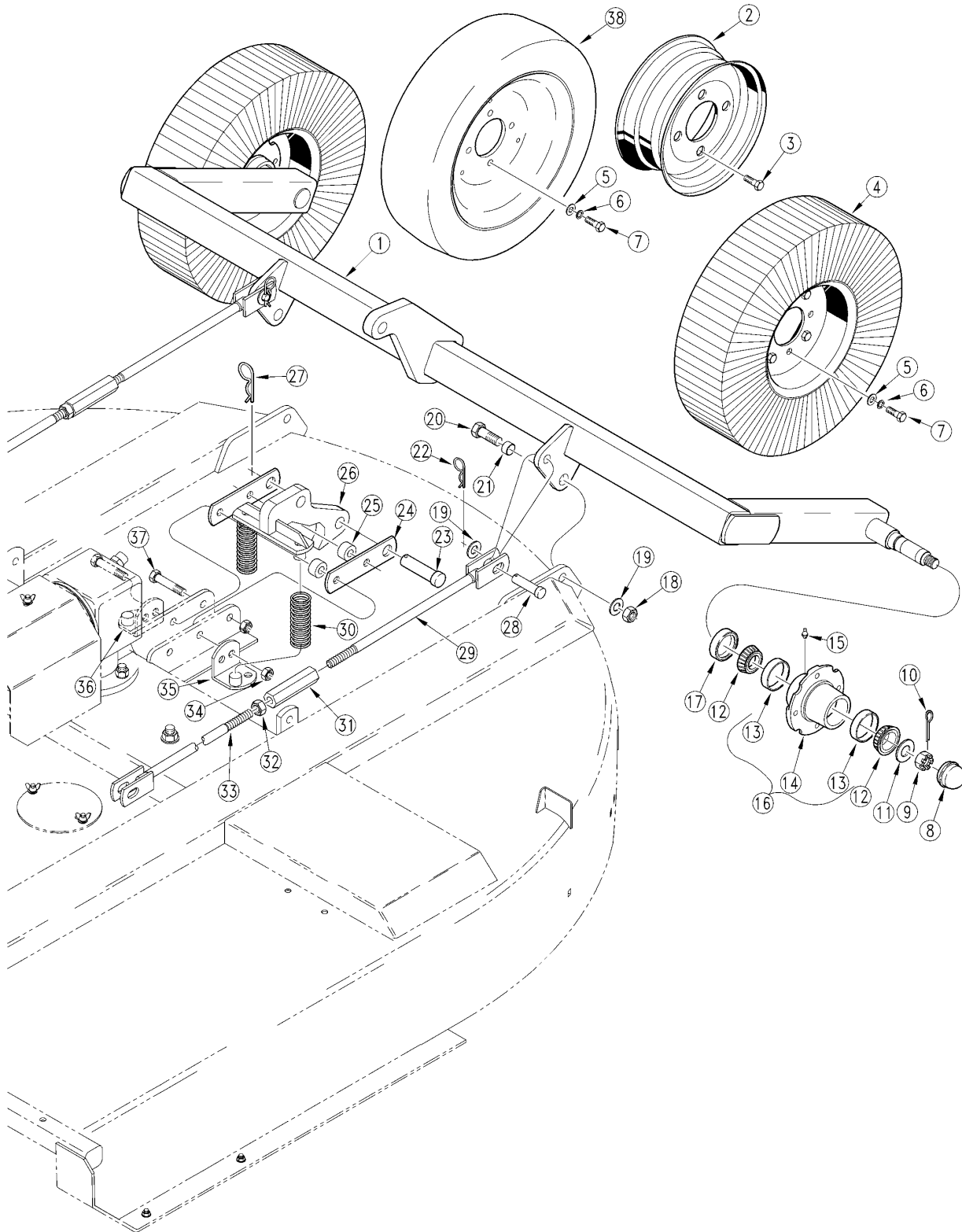
14037

Hydraulic Lift**Applies to RCR2584, RCR2684**

Ref	Part No.	Part Description	Comments	Revision
	dwg14037	Drawing Image Number		
1.	810-242C	STROKE CONTROL SPACERS 1 1/8		
2.	811-542C	HH3/8R1 178 3/4FJIC 9/16FJIC		
3.	811-170C	AD 9/16MORB 9/16MJIC		
4.	805-088C	PIN, HAIR COTTER 3/16 WIRE DIA		
5.	805-004C	PIN CLEVIS 1 X 2 3/4 USABLE LG		
6.	810-200C	CYL 2.5X8X1.12 ROD (TIE)1 PIN		
7.	802-184C	HHCS 3/4-10X1 1/2 GR5		
8.	802-022C	HHCS 3/8-16X1 1/2 GR5		
9.	312-729D	HOSE HOLDER BRACKET		
10.	803-026C	NUT LOCK 3/4-10 PLT		
11.	804-012C	WASHER FLAT 3/8 SAE PLT		
12.	803-013C	NUT LOCK 3/8-16 PLT		
13.	807-023C	SPRING HOSE LOOP		
14.	890-177C	RATCHET JACK - HEAVY DUT		
15.	800-117C	VENT PLUG - 9/16-18 PLATED		

Rear Axle

Applies to RCR2584, RCR2684



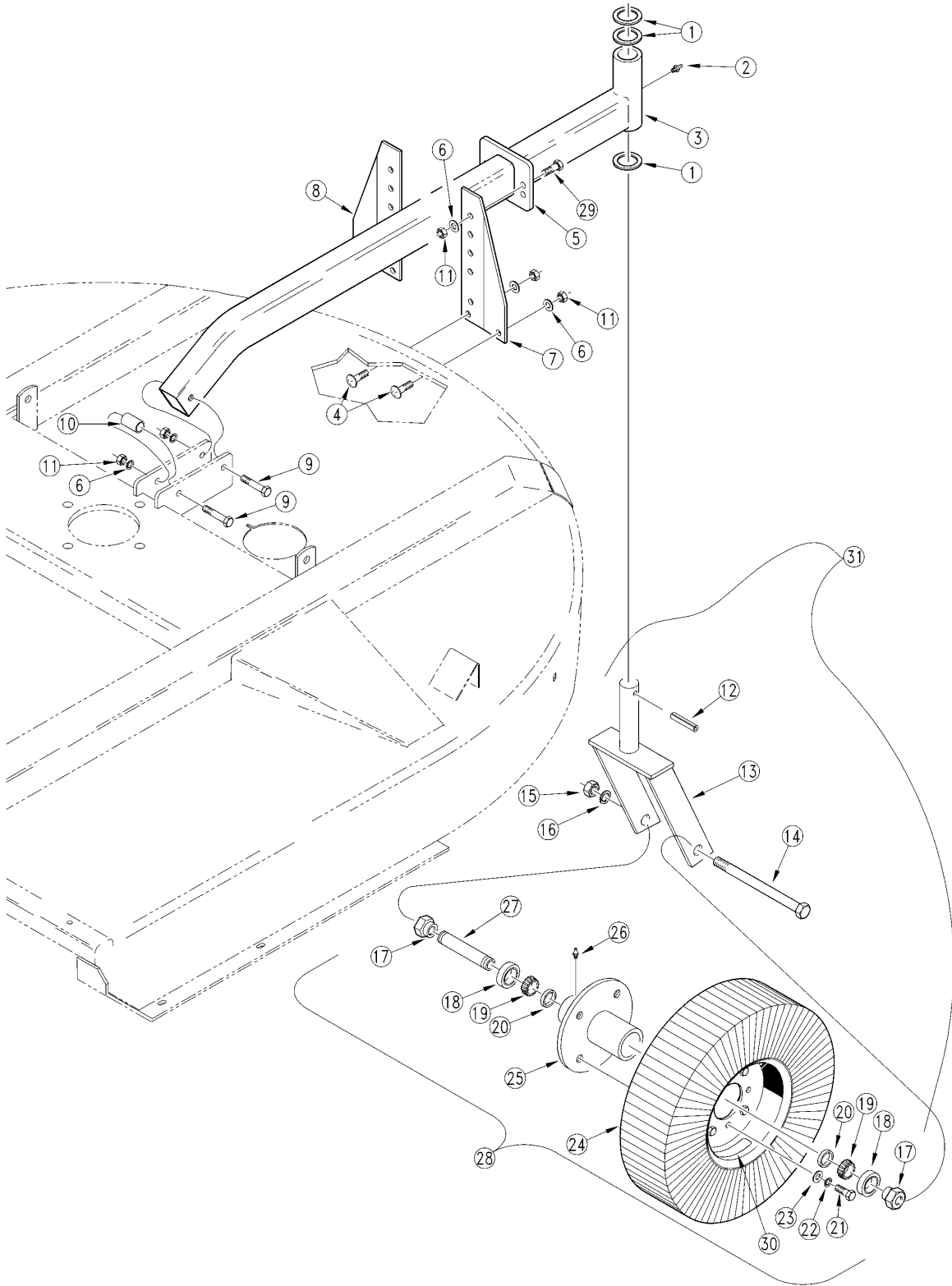
14034

Rear Axle**Applies to RCR2584, RCR2684**

Ref	Part No.	Part Description	Comments	Revision
	dwg14034	Drawing Image Number		
1.	312-427H	RCR2584 AXLE WELDMENT		
2.	814-066C	WHEEL 15 X 5 X 4 BOLT		
3.	802-104C	BOLT WHEEL 1/2-20X1 90-DEG		
4.	814-059C	TIRE & WHEEL LAMINATED 6.0 X 9		
5.	804-016C	WASHER FLAT 1/2 SAE PLT		
6.	804-015C	WASHER LOCK SPRING 1/2 PLT		
7.	802-326C	HHCS 1/2-20X1 1/4 GR5	(S/N 336501+)	Rev. 2
7.	802-240C	HHCS 1/2-20X1 GR5	(S/N 336500-)	Rev 1; Use up stock
8.	200-001D	HUB GREASE CAP		
9.	803-029C	NUT HEX SLOTTED 7/8-14 PLT		
10.	805-016C	PIN COTTER 3/16 X 1 1/4 PLT		
11.	804-055C	WASHER SPINDLE - 7/8		
12.	822-091C	BEARING CONE 15123		
13.	822-092C	BEARING CUP 15245		
14.	815-091C	HUB 4 BOLT	Sold with cups & zerk. Refer to #16	Rev. 2
14.	312-106D	4 BOLT HUB		Rev 1; Use up stock
15.	800-001C	GREASE ZERK STRAIGHT 1/4-28		
16.	815-093C	HUB 4 BOLT WHL W/CUPS & ZERK		Rev. 2
16.	312-151S	4 BLT WHL HUB W/CUPS&ZERK ASSY		Rev 1; Use up stock
17.	816-098C	SEAL 1 3/8 ID X 2.441 OD X.313		
18.	803-026C	NUT LOCK 3/4-10 PLT		
19.	804-025C	WASHER FLAT 3/4 SAE PLT		
20.	802-065C	HHCS 3/4-10X2 1/4 GR5		
21.	312-712D	TUBE 1 OD X 12 GA X 15/16 LG.		
22.	805-045C	PIN COTTER 5/32 X 1 1/4 LG		
23.	805-187C	PIN CLEVIS 1 X 2 1/4 GR5 PLT		
24.	312-720D	FLAT SPRING SUPPORT		
25.	312-735D	TUBE 1.25 OD X .28WL X1.09 LG.		
26.	312-424H	LUG SPRING CUSHION WELDMENT		
27.	805-088C	PIN, HAIR COTTER 3/16 WIRE DIA		
28.	805-083C	PIN CLEVIS 3/4 X 1 1/2		
29.	312-428H	LEVEL ROD SHORT WELDMENT		
30.	807-143C	SPRING COMP 1.88OD x .362W		
31.	803-237C	NUT HEX COUPLER 3/4-10 X 5 PLT		
32.	803-048C	NUT HEX JAM 3/4-10 PLT		
33.	312-429H	LEVEL ROD LONG WELDMENT		
34.	803-024C	NUT LOCK 5/8-11 PLT		
35.	312-426H	SPRING MOUNT BOTTOM LH. WLDMT.		
36.	312-425H	SPRING MOUNT BOTTOM RH. WLDMT.		
37.	802-162C	HHCS 5/8-11X3 1/2 GR5		
38.	814-086C	TIRE 25.5 X 8.0-14 - MOUNTED		

Tailwheel

Applies to RCR2560, RCR2572



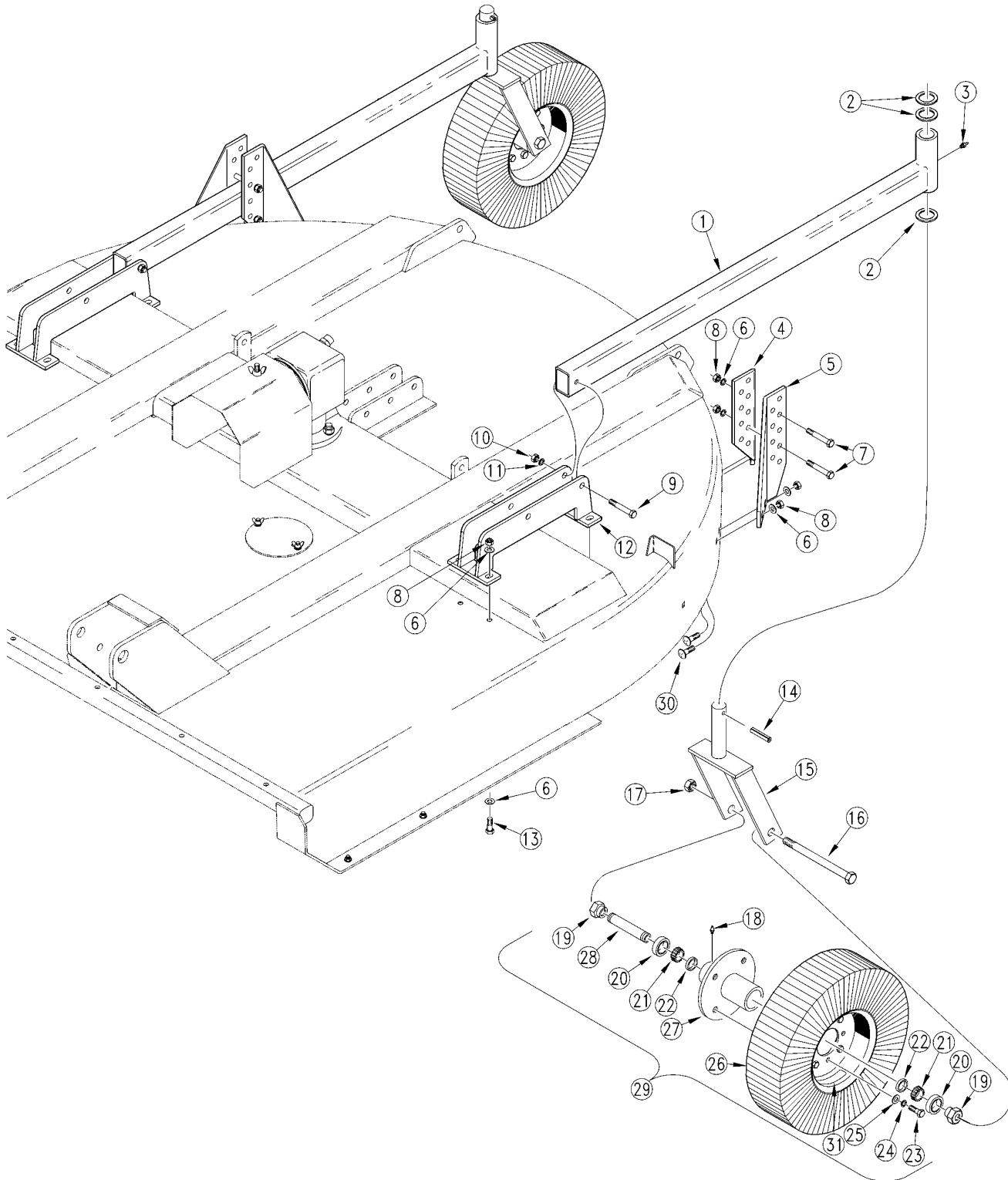
13450

Tailwheel**Applies to RCR2560, RCR2572**

Ref	Part No.	Part Description	Comments	Revision
	dwg13450	Drawing Image Number		
1.	804-066C	WASHER MACH 2.25 X 1.50 X 14GA		Rev. 2
1.	804-063C	WASHER MACH 2.25 X 1.50 X 10GA		Rev 1; Use up stock
2.	800-080C	GREASE ZERK 1/4-28 THD FORMING		
3.	312-387H	ARM WELDMENT	RCR2572 (Shown)	
3.	312-403H	ARM WELDMENT	RCR2560	
4.	802-106C	RHSNB 1/2-13X1 1/2 GR5		Rev. 2
4.	802-214C	RHSNB 1/2-13X1 1/4 GR5		Rev 1; Use up stock
5.	312-616D	TAILWHEEL ARM ADJUST PLATE	Went to square holes (S/N 243129+)	
6.	804-016C	WASHER FLAT 1/2 SAE PLT		
7.	312-614D	TAILWHEEL VERT SUPPORT LH		
8.	312-615D	TAILWHEEL VERT SUPPORT RH		
9.	802-042C	HHCS 1/2-13X3 3/4 GR5		
10.	312-629D	SPACER TUBE 3/4 OD X 2 1/32		
11.	803-019C	NUT LOCK 1/2-13 PLT		
12.	805-255C	PIN ROLL 3/8 X 2 1/2 PLT	(S/N 209101+)	
12.	805-043C	PIN SPIRAL 3/8X2 1/2 PLAIN	(S/N 209100-)	
13.	890-583C	RC25 TAILWHEEL YOKE		Rev. 2
13.	312-077H	RC25 YOKE WELDMENT		Rev 1; Use up stock
14.	802-280C	HHCS 3/4-10X7 1/2 GR5		
15.	803-027C	NUT HEX 3/4-10 PLT		
16.	804-023C	WASHER LOCK SPRING 3/4 PLT		
17.	803-289C	NUT HEX 1 1/4-7(MACHINED)PLAIN		Rev. 2
17.	312-124D	TW SHOULDER NUT		Rev 1; Use up stock
18.	816-009C	OIL SEAL DOUBLE LIP		
19.	822-091C	BEARING CONE 15123		
20.	822-092C	BEARING CUP 15245		
21.	802-326C	HHCS 1/2-20X1 1/4 GR5	(S/N 336501+)	Rev. 2
21.	802-240C	HHCS 1/2-20X1 GR5	(S/N 336500-)	Rev 1; Use up stock
22.	804-015C	WASHER LOCK SPRING 1/2 PLT		
23.	804-016C	WASHER FLAT 1/2 SAE PLT		
24.	814-058C	TIRE & WHEEL LAMINATED 4.0 X 8		
25.	815-093C	HUB 4 BOLT WHL W/CUPS & ZERK		Rev. 2
25.	312-106D	4 BOLT HUB		Rev 1; Use up stock
26.	800-001C	GREASE ZERK STRAIGHT 1/4-28		
27.	827-036C	BUSHING TW 1.25ODX.78IDX5 1/4		Rev. 2
27.	312-123D	TW SPINDLE TUBE		Rev 1; Use up stock
28.	814-162C	LAM 4 X 8 TIRE-WHEEL-HUB	Includes one of items 26 through 29 and 32 two of items 19 through 22 and four of items 23; 24 and 25	Rev. 2
28.	312-131K	RC25 & 35 TW ASSY - 15		Rev 1; Use up stock
29.	802-106C	RHSNB 1/2-13X1 1/2 GR5	(S/N 243129+)	
29.	802-091C	HHCS 1/2-13X1 1/2 GR5	(S/N 243128-)	Rev. 2
29.	802-034C	HHCS 1/2-13X1 1/4 GR5		Rev 1; Use up stock
30.	818-681C	DECAL NOTICE - 20 MPH MAX		
31.	814-161C	LAM 4X8 TR-WL-HUB-YOKE 25 SER.		

Tailwheel Dual

Applies to RCR2584, RCR2684



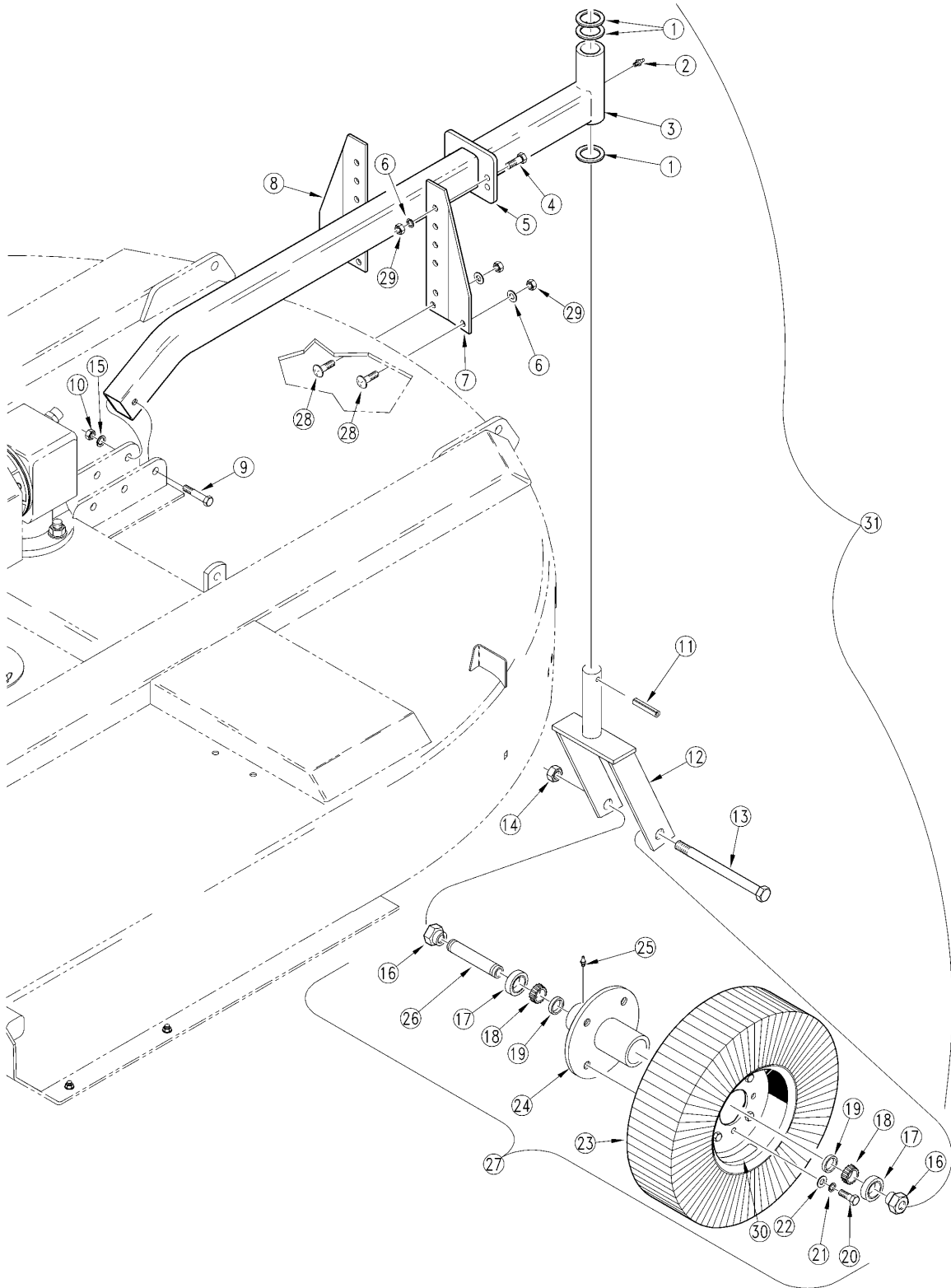
14033

Tailwheel Dual**Applies to RCR2584, RCR2684**

Ref	Part No.	Part Description	Comments	Revision
	dwg14033	Drawing Image Number		
1.	312-879H	WELDMENT TAILWHEEL BEAM	S/N 534082+ Added 1 1/2" To Overall Length	
1.	312-431H	RPBY 312-879H		
2.	804-066C	WASHER MACH 2.25 X 1.50 X 14GA		Rev. 2
2.	804-063C	WASHER MACH 2.25 X 1.50 X 10GA		Rev 1; Use up stock
3.	800-080C	GREASE ZERK 1/4-28 THD FORMING		
4.	312-679D	ADJ. BRKT. INNER LH.		
4.	312-678D	ADJ. BRKT. INNER RH.		
5.	312-693D	ADJ. BRKT. OUTER LH.		
5.	312-692D	ADJ. BRKT. OUTER RH.		
6.	804-016C	WASHER FLAT 1/2 SAE PLT		
7.	802-041C	HHCS 1/2-13X3 1/2 GR5		
8.	803-019C	NUT LOCK 1/2-13 PLT		
9.	802-153C	HHCS 5/8-11X3 3/4 GR5		
10.	803-024C	NUT LOCK 5/8-11 PLT		
11.	804-021C	WASHER FLAT 5/8 SAE PLT		
12.	312-432H	TAILWHEEL BRACKET WELDMENT		
13.	802-091C	HHCS 1/2-13X1 1/2 GR5		
14.	805-255C	PIN ROLL 3/8 X 2 1/2 PLT	(S/N 209101+)	
14.	805-043C	PIN SPIRAL 3/8X2 1/2 PLAIN	(S/N 209100-)	
15.	890-583C	RC25 TAILWHEEL YOKE		Rev. 2
15.	312-077H	RC25 YOKE WELDMENT		Rev 1; Use up stock
16.	802-280C	HHCS 3/4-10X7 1/2 GR5		
17.	803-026C	NUT LOCK 3/4-10 PLT		
18.	800-001C	GREASE ZERK STRAIGHT 1/4-28		
19.	803-289C	NUT HEX 1 1/4-7(MACHINED)PLAIN		Rev. 2
19.	312-124D	TW SHOULDER NUT		Rev 1; Use up stock
20.	816-009C	OIL SEAL DOUBLE LIP		
21.	822-091C	BEARING CONE 15123		
22.	822-092C	BEARING CUP 15245		
23.	802-326C	HHCS 1/2-20X1 1/4 GR5		Rev. 2
23.	802-240C	HHCS 1/2-20X1 GR5		Rev 1; Use up stock
24.	804-015C	WASHER LOCK SPRING 1/2 PLT		
25.	804-016C	WASHER FLAT 1/2 SAE PLT		
26.	814-058C	TIRE & WHEEL LAMINATED 4.0 X 8		
27.	815-093C	HUB 4 BOLT WHL W/CUPS & ZERK		Rev. 2
27.	312-106D	4 BOLT HUB		Rev 1; Use up stock
28.	827-036C	BUSHING TW 1.25ODX.78IDX5 1/4		
28.	312-123D	TW SPINDLE TUBE		Rev 1; Use up stock
29.	814-162C	LAM 4 X 8 TIRE-WHEEL-HUB		Rev. 2
29.	312-131K	RC25 & 35 TW ASSY - 15		Rev 1; Use up stock
30.	802-106C	RHSNB 1/2-13X1 1/2 GR5		
31.	818-681C	DECAL NOTICE - 20 MPH MAX		

Tailwheel Single

Applies to RCR2584, RCR2684



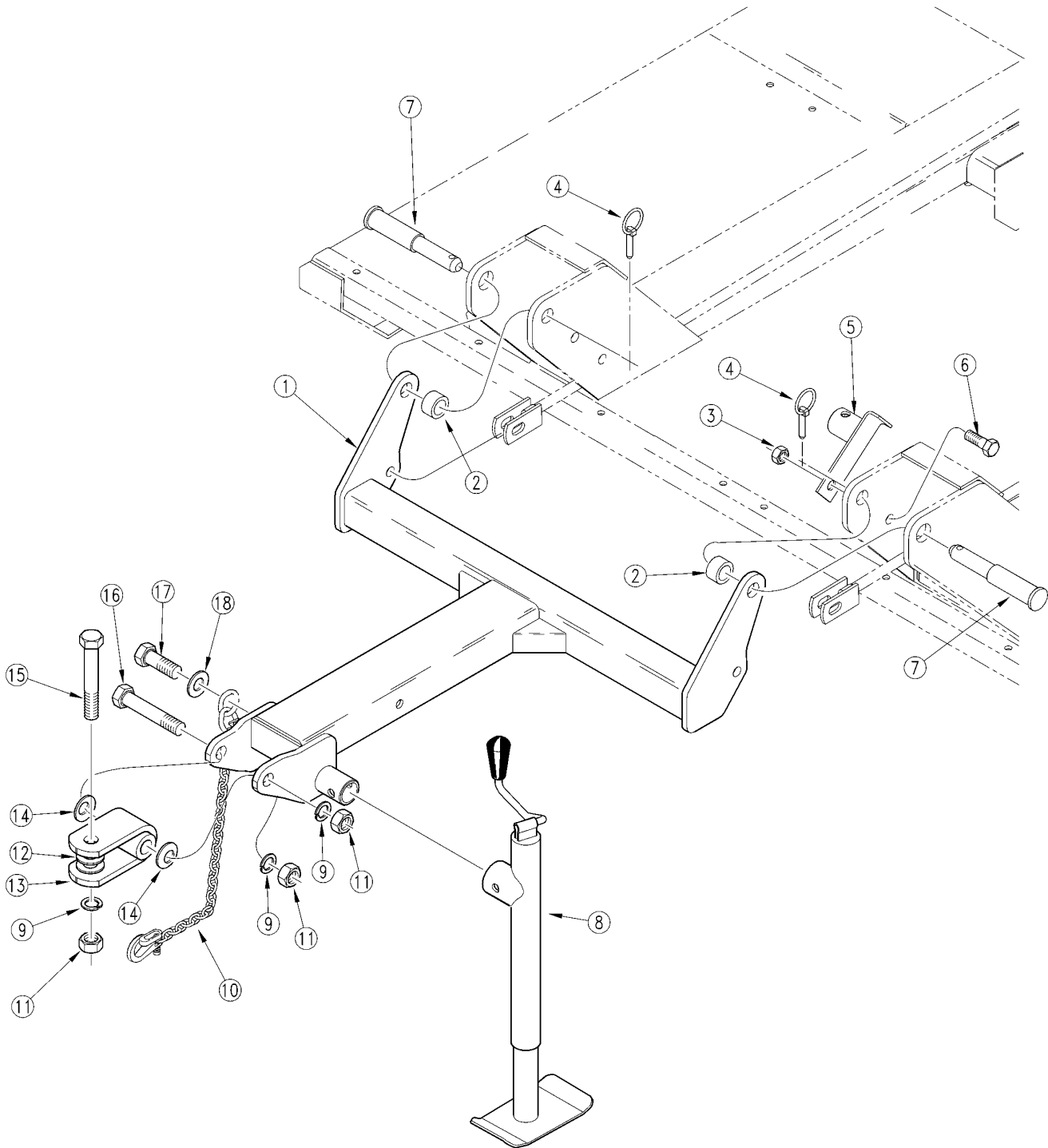
14032

Tailwheel Single**Applies to RCR2584, RCR2684**

Ref	Part No.	Part Description	Comments	Revision
	dwg14032	Drawing Image Number		
1.	804-066C	WASHER MACH 2.25 X 1.50 X 14GA		Rev. 2
1.	804-063C	WASHER MACH 2.25 X 1.50 X 10GA		Rev 1; Use up stock
2.	800-080C	GREASE ZERK 1/4-28 THD FORMING		
3.	312-430H	TAILWHEEL BEAM WELDMENT		
4.	802-106C	RHSNB 1/2-13X1 1/2 GR5	(S/N 2433129)	
4.	802-091C	HHCS 1/2-13X1 1/2 GR5	(S/N 243128-)	Rev. 1
5.	312-616D	TAILWHEEL ARM ADJUST PLATE	Went to square holes (S/N 243129+)	
6.	804-016C	WASHER FLAT 1/2 SAE PLT		
7.	312-614D	TAILWHEEL VERT SUPPORT LH		
8.	312-615D	TAILWHEEL VERT SUPPORT RH		
9.	802-153C	HHCS 5/8-11X3 3/4 GR5		
10.	803-024C	NUT LOCK 5/8-11 PLT		
11.	805-255C	PIN ROLL 3/8 X 2 1/2 PLT	(S/N 209101+)	
11.	805-043C	PIN SPIRAL 3/8X2 1/2 PLAIN	(S/N 209100-)	Rev. 1
12.	890-583C	RC25 TAILWHEEL YOKE		
12.	312-077H	RC25 YOKE WELDMENT		Rev 1; Use up stock
13.	802-280C	HHCS 3/4-10X7 1/2 GR5		
14.	803-026C	NUT LOCK 3/4-10 PLT		
15.	804-021C	WASHER FLAT 5/8 SAE PLT		
16.	803-289C	NUT HEX 1 1/4-7(MACHINED)PLAIN		Rev. 2
16.	312-124D	TW SHOULDER NUT		Rev 1; Use up stock
17.	816-009C	OIL SEAL DOUBLE LIP		
18.	822-091C	BEARING CONE 15123		
19.	822-092C	BEARING CUP 15245		
20.	802-326C	HHCS 1/2-20X1 1/4 GR5		Rev. 2
20.	802-240C	HHCS 1/2-20X1 GR5		Rev 1; Use up stock
21.	804-015C	WASHER LOCK SPRING 1/2 PLT		
22.	804-016C	WASHER FLAT 1/2 SAE PLT		
23.	814-058C	TIRE & WHEEL LAMINATED 4.0 X 8		
24.	815-093C	HUB 4 BOLT WHL W/CUPS & ZERK		Rev. 2
24.	312-106D	4 BOLT HUB		Rev 1; Use up stock
25.	800-001C	GREASE ZERK STRAIGHT 1/4-28		
26.	827-036C	BUSHING TW 1.25ODX.78IDX5 1/4		Rev. 2
26.	312-123D	TW SPINDLE TUBE		Rev 1; Use up stock
27.	814-162C	LAM 4 X 8 TIRE-WHEEL-HUB		Rev. 2
27.	312-131K	RC25 & 35 TW ASSY - 15		Rev 1; Use up stock
28.	802-106C	RHSNB 1/2-13X1 1/2 GR5		
29.	803-019C	NUT LOCK 1/2-13 PLT		
30.	818-681C	DECAL NOTICE - 20 MPH MAX		
31.	814-161C	LAM 4X8 TR-WL-HUB-YOKE 25 SER.		

Tongue

Applies to RCR2584, RCR2684



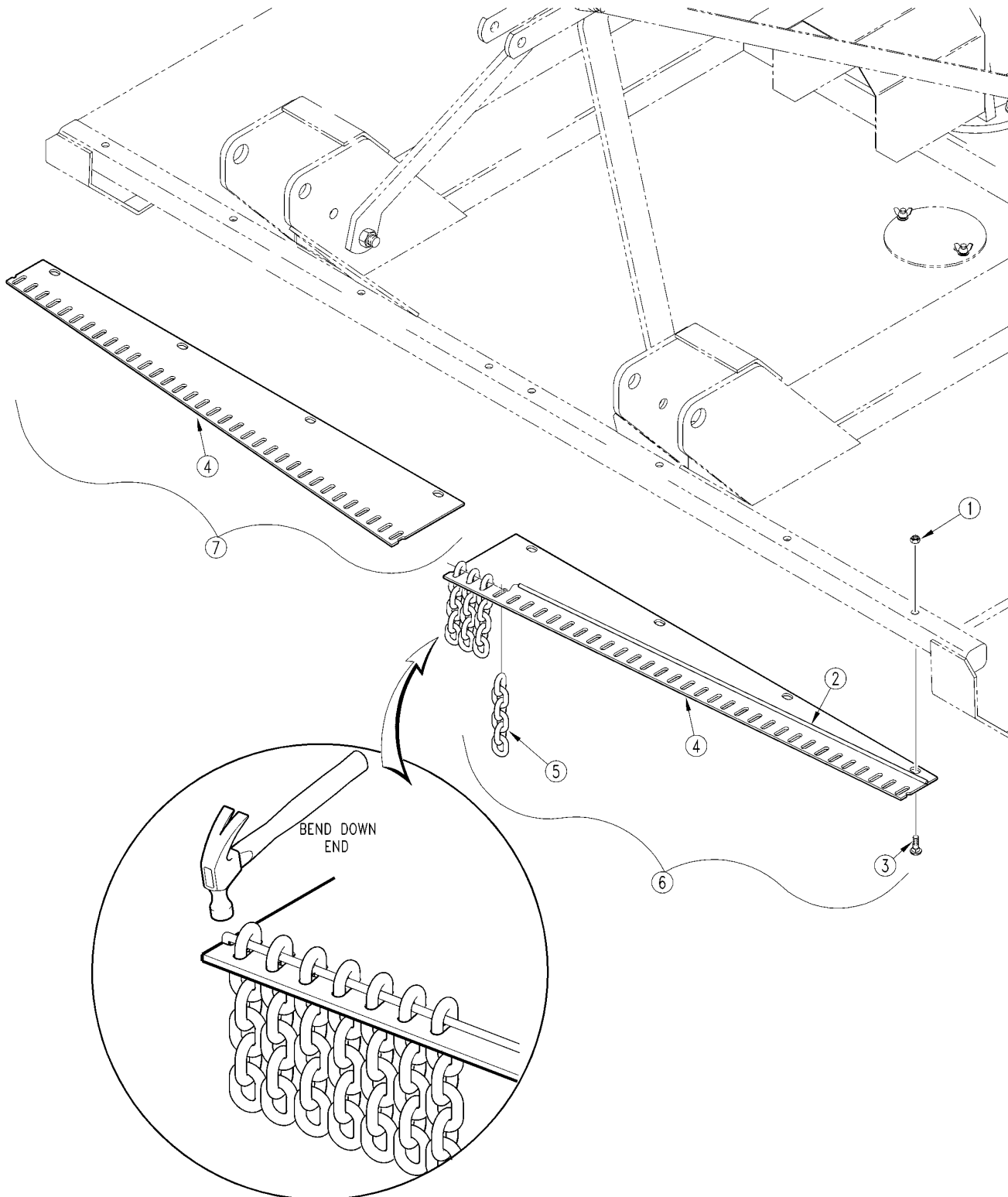
14035

Tongue**Applies to RCR2584, RCR2684**

Ref	Part No.	Part Description	Comments	Revision
	dwg14035	Drawing Image Number		
1.	312-420H	TONGUE WELDMENT		
2.	312-733D	TUBE 1 5/8 OD X 7/32 WL X1 LG.		
3.	803-026C	NUT LOCK 3/4-10 PLT		
4.	805-103C	PIN LYNCH 7/16 X 1 3/4		
5.	312-423H	PARKING JACK SUPPORT WELDMENT		
6.	802-392C	HHCS 3/4-10X1 3/4 GR5		
7.	300-236D	HITCH PIN		
8.	890-118C	SCREW JACK 2000#		
9.	804-027C	WASHER LOCK SPRING 1 PLT		
10.	890-182C	SAFETY CHAIN 10000 LB		
11.	803-031C	NUT HEX 1-8 PLT		
12.	804-028C	WASHER FLAT 1 USS		
13.	312-421H	CLEVIS WELDMENT		
14.	804-125C	WASHER BELLEVILLE 1ID		
15.	802-098C	HHCS 1-8X4 1/2 GR5		
16.	802-357C	HHCS 1-8X6 GR5		
17.	802-096C	HHCS 1-8X2 1/2 GR5		
18.	804-029C	WASHER FLAT 1 SAE		

Guard Front Chain

Applies to RCR2584, RCR2684



14038

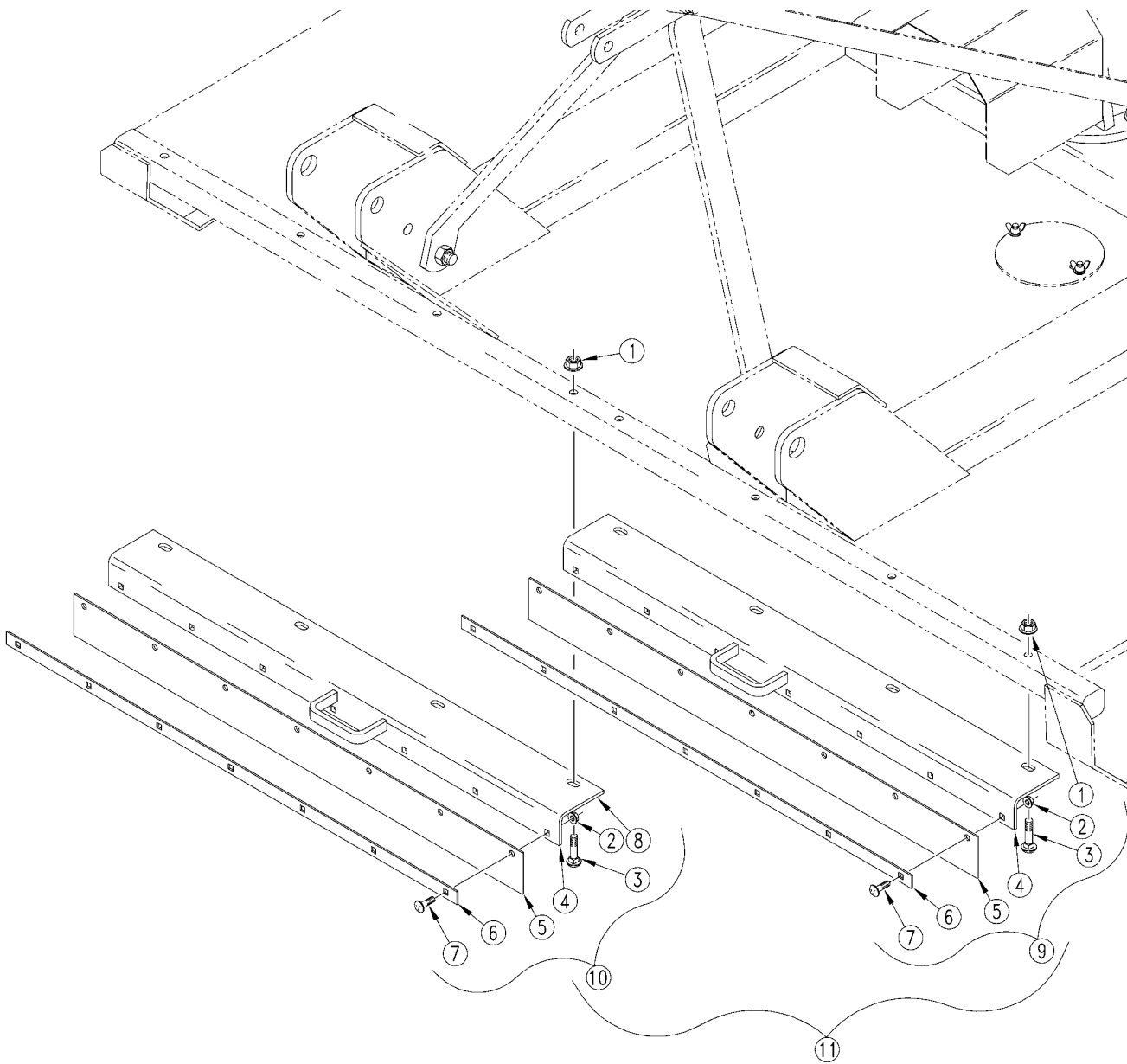
Guard Front Chain

Applies to RCR2584, RCR2684

Ref	Part No.	Part Description	Comments	Revision
	dwg14038	Drawing Image Number		
	312-435A	RCR2584 FRONT CHAINGUARD ASSY		
1.	803-019C	NUT LOCK 1/2-13 PLT		
2.	312-737D	ROD 1/4 X 43 PLTD.		
3.	802-440C	RHSNB 1/2-13X2 3/4 GR5		
4.	312-680D	RCR2584 FRONT CHAINGUARD		
5.	890-393C	CHAIN WELD 5/16 PROOF X 7-LINK		
6.	312-647K	RCR2584 LH FRNT CHN GRD SUB		
7.	312-685K	RCR2584 RH FRNT CHN GRD SUB		

Guard Front Rubber

Applies to RCR2584, RCR2684



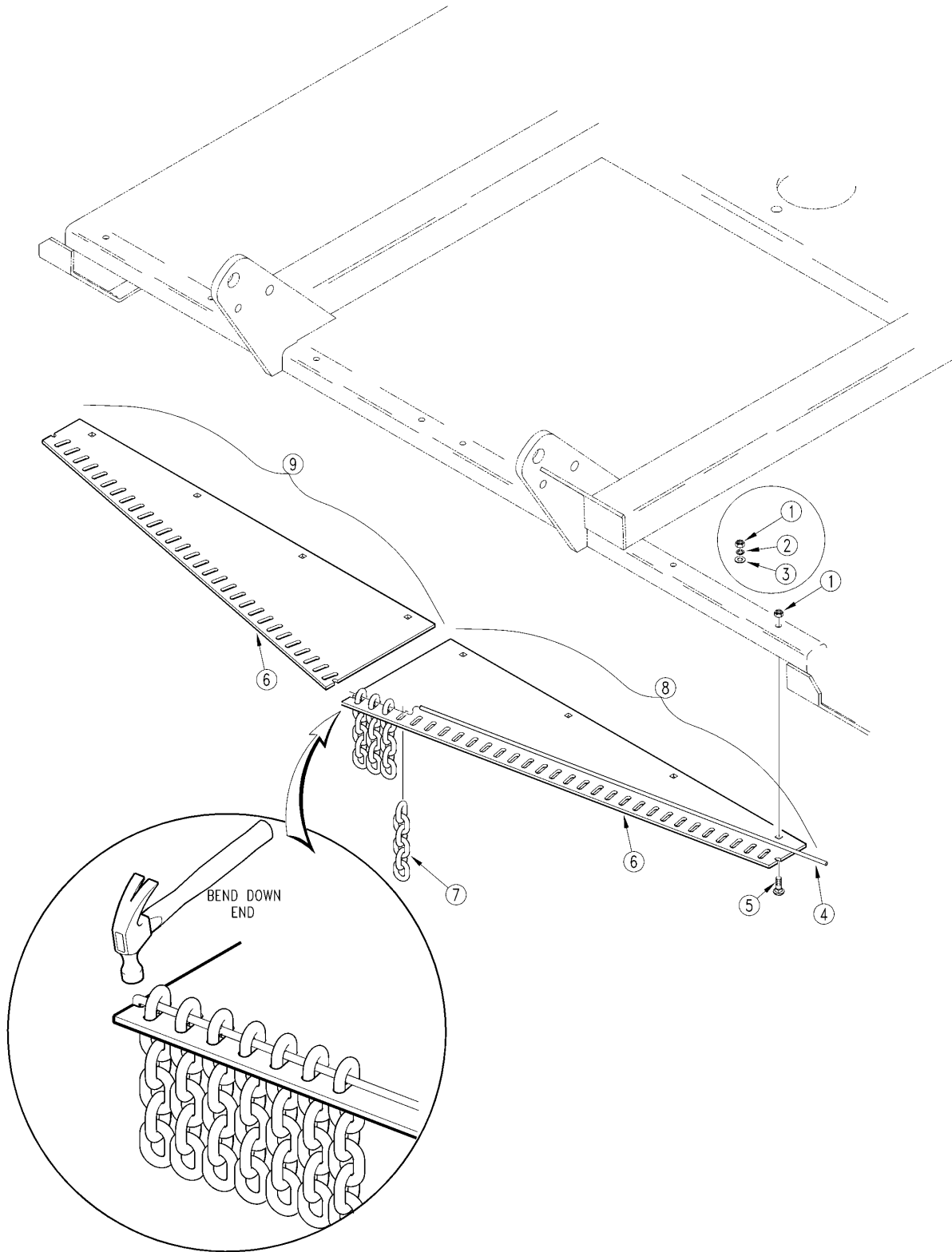
18179

Guard Front Rubber**Applies to RCR2584, RCR2684**

Ref	Part No.	Part Description	Comments	Revision
	dwg18179	Drawing Image Number		
1.	803-037C	NUT HEX WHIZ 1/2-13 PLT		
2.	803-198C	NUT HEX WHIZ 3/8-16 PLT		
3.	802-440C	RHSNB 1/2-13X2 3/4 GR5		
4.	312-490H	84" WLDMT. DEF. BRKT. LH.		
5.	816-264C	84" FRONT RUBBER DEFLECTOR		
6.	312-774D	84" DEFLECTOR SUPPORT FLAT		
7.	802-155C	RHSNB 3/8-16X1 1/4 GR5		
8.	312-491H	84" WLDMT. DEF. BRKT. RH.		
9.	312-492L	RCR2584 ASSY. DEF. BRKT. LH.		
10.	312-493L	RCR2584 ASSY. DEF. BRKT. RH.		
11.	312-483A	RCR2584 FRONT RUBBER GUARDS		

Guard Front Safety Chain

Applies to RCR2560, RCR2572



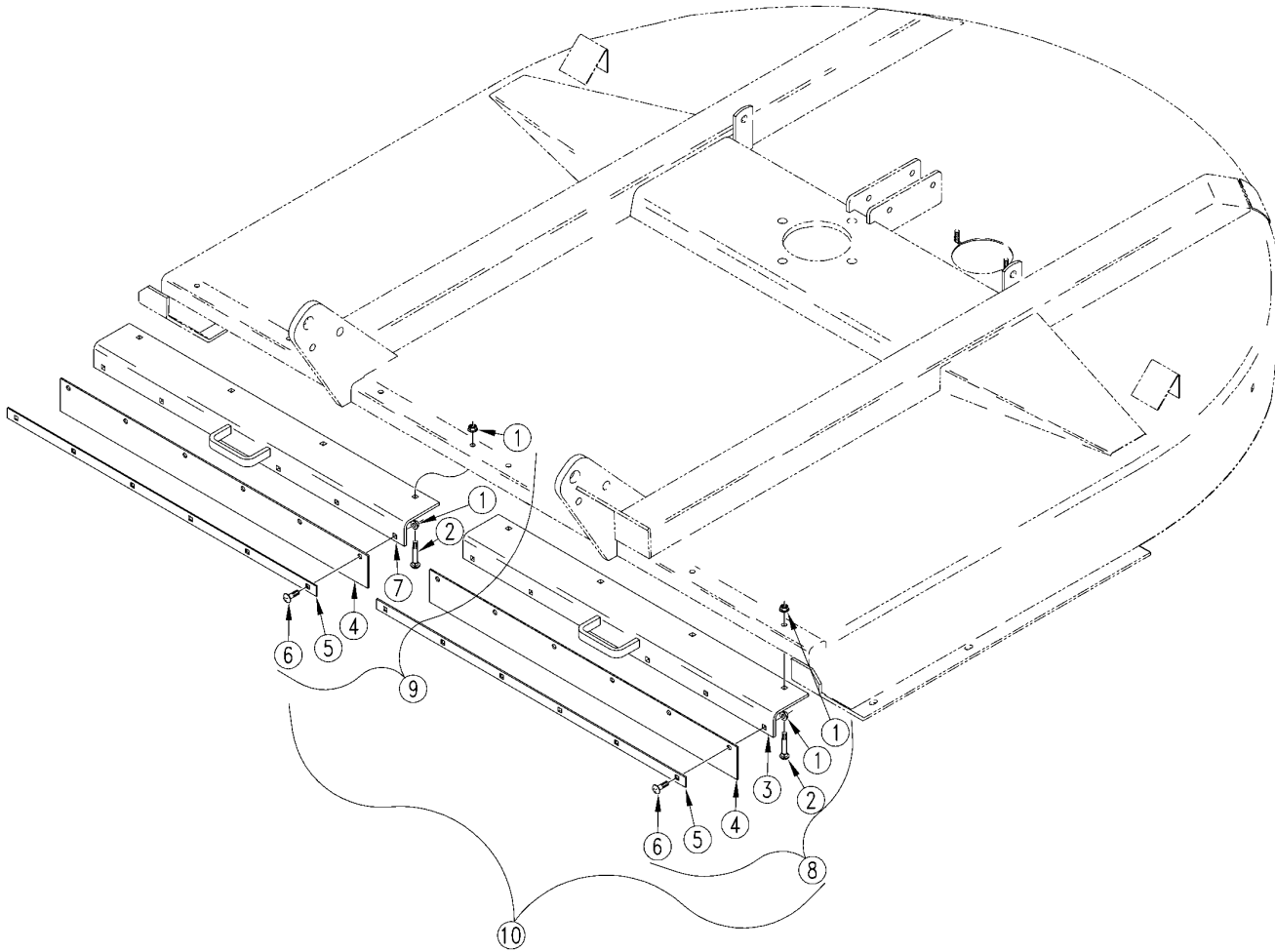
13451

Guard Front Safety Chain**Applies to RCR2560, RCR2572**

Ref	Part No.	Part Description	Comments	Revision
	dwg13451	Drawing Image Number		
	312-395A	RCR2572 FRONT CHAIN GUARD ASSY		
	312-409A	RCR2560 FRONT CHAIN GUARD ASSY		
1.	803-013C	NUT LOCK 3/8-16 PLT		Rev. 2
1.	803-014C	NUT HEX 3/8-16 PLT		Rev 1; Use up stock
2.	804-013C	WASHER LOCK SPRING 3/8 PLT	Replaced by 803-013C	Rev 1; Use up stock
3.	804-012C	WASHER FLAT 3/8 SAE PLT	Replaced by 803-013C	Rev 1; Use up stock
4.	312-624D	ROD 1/4 DIA X 38 1/8 LONG	RCR2572	
4.	312-655D	ROD 1/4 DIA X 32 3/8 LONG	RCR2560	
5.	802-468C	RHSNB 3/8-16X2 3/4 GR5 PLT		
6.	312-620D	FRONT CHAIN GUARD	RCR2572	
6.	312-649D	FRONT CHAIN GUARD	RCR2560	
7.	890-175C	CHAIN 5/16 PROOF X 6 LINKS PLT		
8.	312-643K	RCR2560 LH FRNT CHN GRD SUB		
8.	312-639K	RCR2572 LH FRNT CHN GRD SUB		
9.	312-683K	RCR2560 RH FRNT CHN GRD SUB		
9.	312-684K	RCR2572 RH FRNT CHN GRD SUB		

Guard Front Safety Rubber

Applies to RCR2560, RCR2572



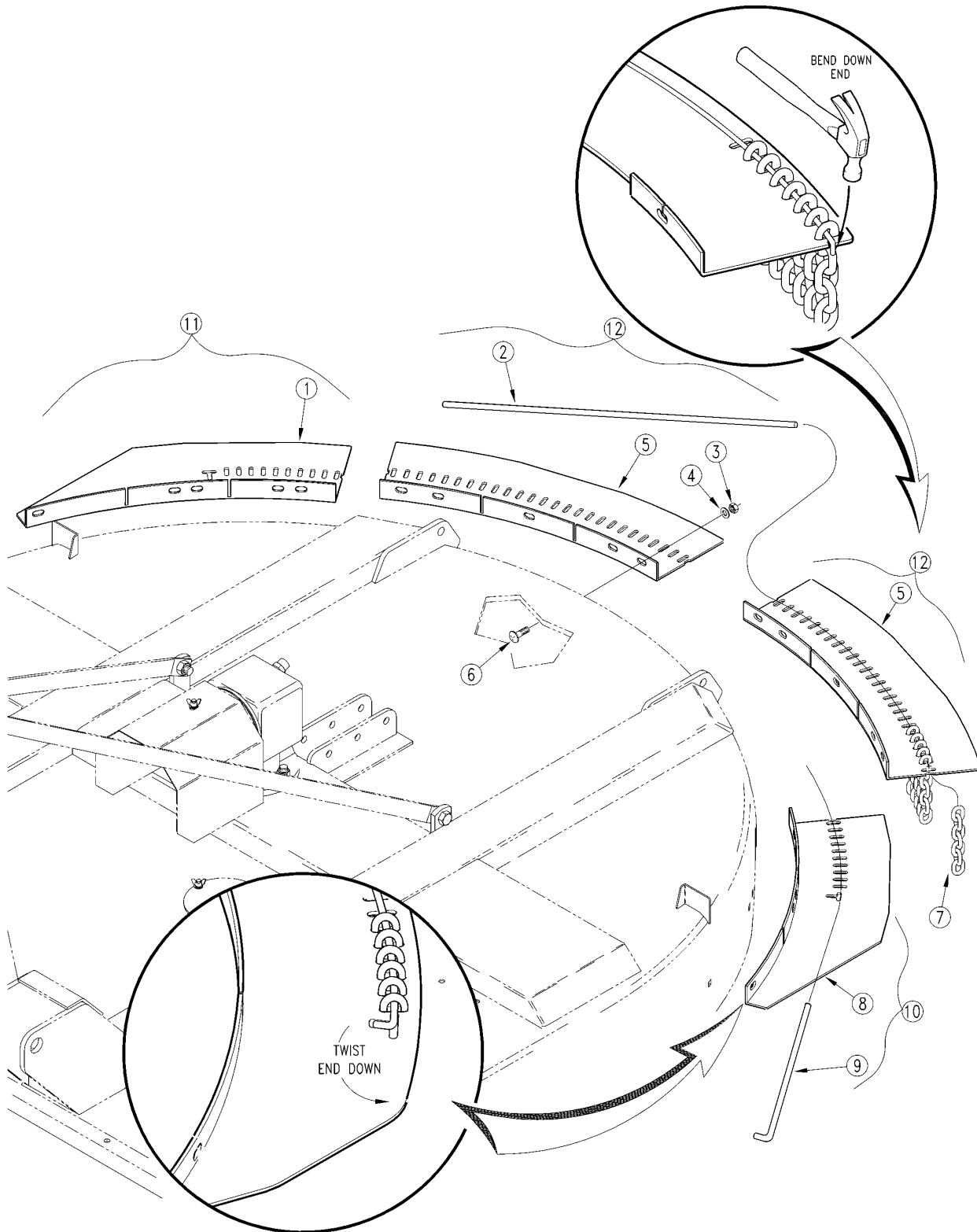
18178

Guard Front Safety Rubber**Applies to RCR2560, RCR2572**

Ref	Part No.	Part Description	Comments	Revision
	dwg18178	Drawing Image Number		
1.	803-198C	NUT HEX WHIZ 3/8-16 PLT		
2.	802-468C	RHSNB 3/8-16X2 3/4 GR5 PLT		
3.	312-488H	72" WLDMT. DEF. BRKT.		
3.	312-484H	60" WLDMT. DEF. BRKT. LH.		
4.	816-263C	72" FRONT RUBBER DEFLECTOR		
4.	816-262C	60" FRONT RUBBER DEFLECTOR		
5.	312-772D	72" DEFLECTOR SUPPORT FLAT		
5.	312-770D	60" DEFLECTOR SUPPORT FLAT		
6.	802-155C	RHSNB 3/8-16X1 1/4 GR5		
7.	312-488H	72" WLDMT. DEF. BRKT.		
7.	312-485H	60" WLDMT. DEF. BRKT. RH.		
8.	312-489L	RCR2572 ASSY. DEF. BRKT.		
8.	312-486L	RCR2560 ASSY. DEF. BRKT. LH.		
9.	312-489L	RCR2572 ASSY. DEF. BRKT.		
9.	312-487L	RCR2560 ASSY. DEF. BRKT. RH.		
10.	312-482A	RCR2572 FRONT RUBBER GUARDS		
10.	312-481A	RCR2560 FRONT RUBBER GUARDS		

Guard Rear Chain

Applies to RCR2584, RCR2684



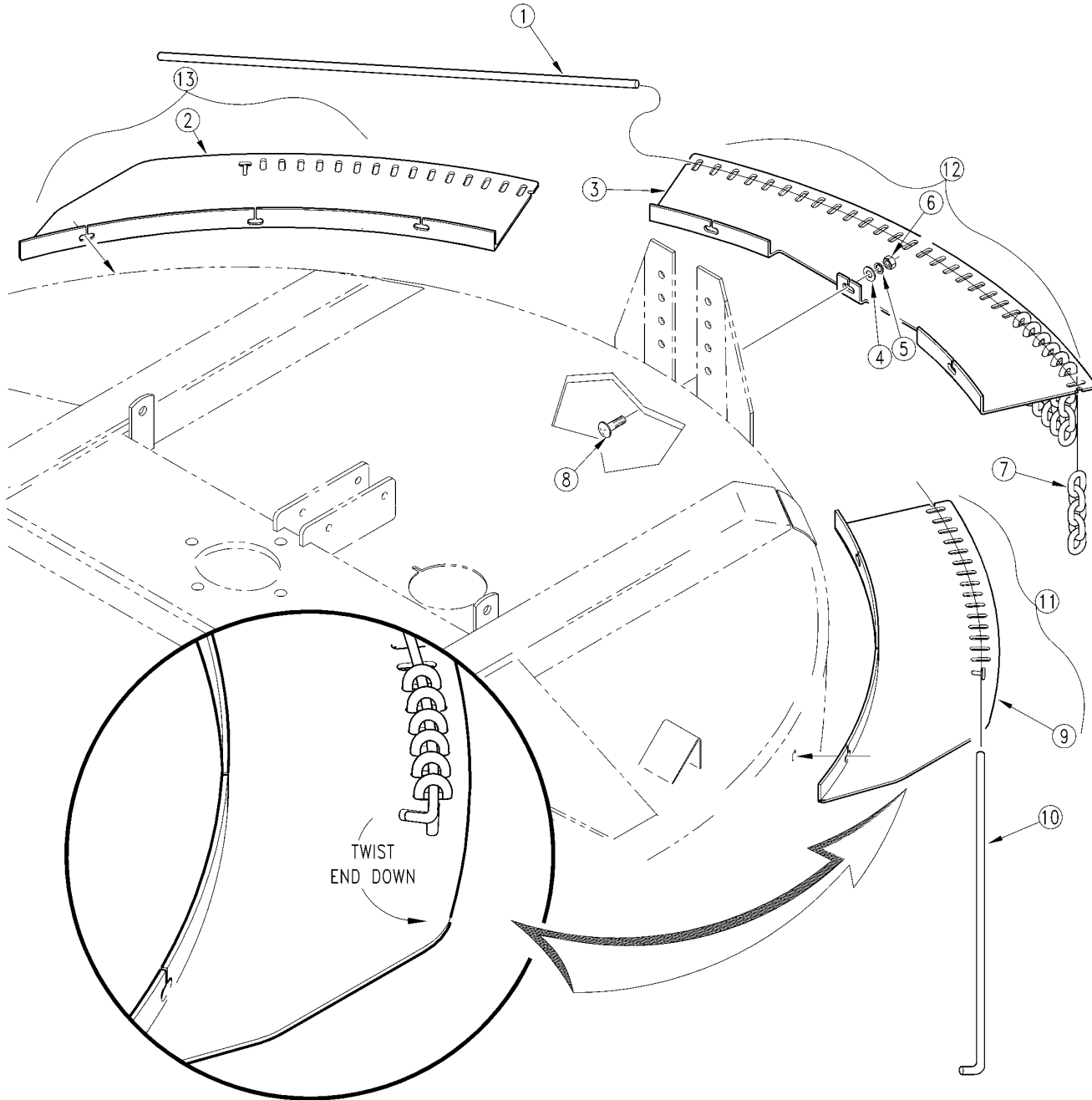
14039

Guard Rear Chain**Applies to RCR2584, RCR2684**

Ref	Part No.	Part Description	Comments	Revision
	dwg14039	Drawing Image Number		
	312-436A	RCR2584 REAR CHAINGUARD ASSY		
1.	312-682D	RCR2584 REAR RH. CHAINGUARD		
2.	312-736D	ROD 1/4 X 31 3/4 PLTD.		
3.	803-019C	NUT LOCK 1/2-13 PLT		
4.	804-016C	WASHER FLAT 1/2 SAE PLT		
5.	312-681D	RCR2584 REAR CEN CHAINGUARD		
6.	802-106C	RHSNB 1/2-13X1 1/2 GR5		
7.	890-341C	CHAIN WELD 5/16 PROOF X 5 LINK		
8.	312-683D	RCR2584 REAR LH. CHAINGUARD		
9.	312-734D	ROD 1/4 X 13 1/2 PLTD.		
10.	312-648K	RCR2584 LH REAR CHN GRD SUB		
11.	312-649K	RCR2584 RH REAR CHN GRD SUB		
12.	312-650K	RCR2584 CTR REAR CHN GRD SUB		

Guard Rear Safety Chain

Applies to RCR2560, RCR2572



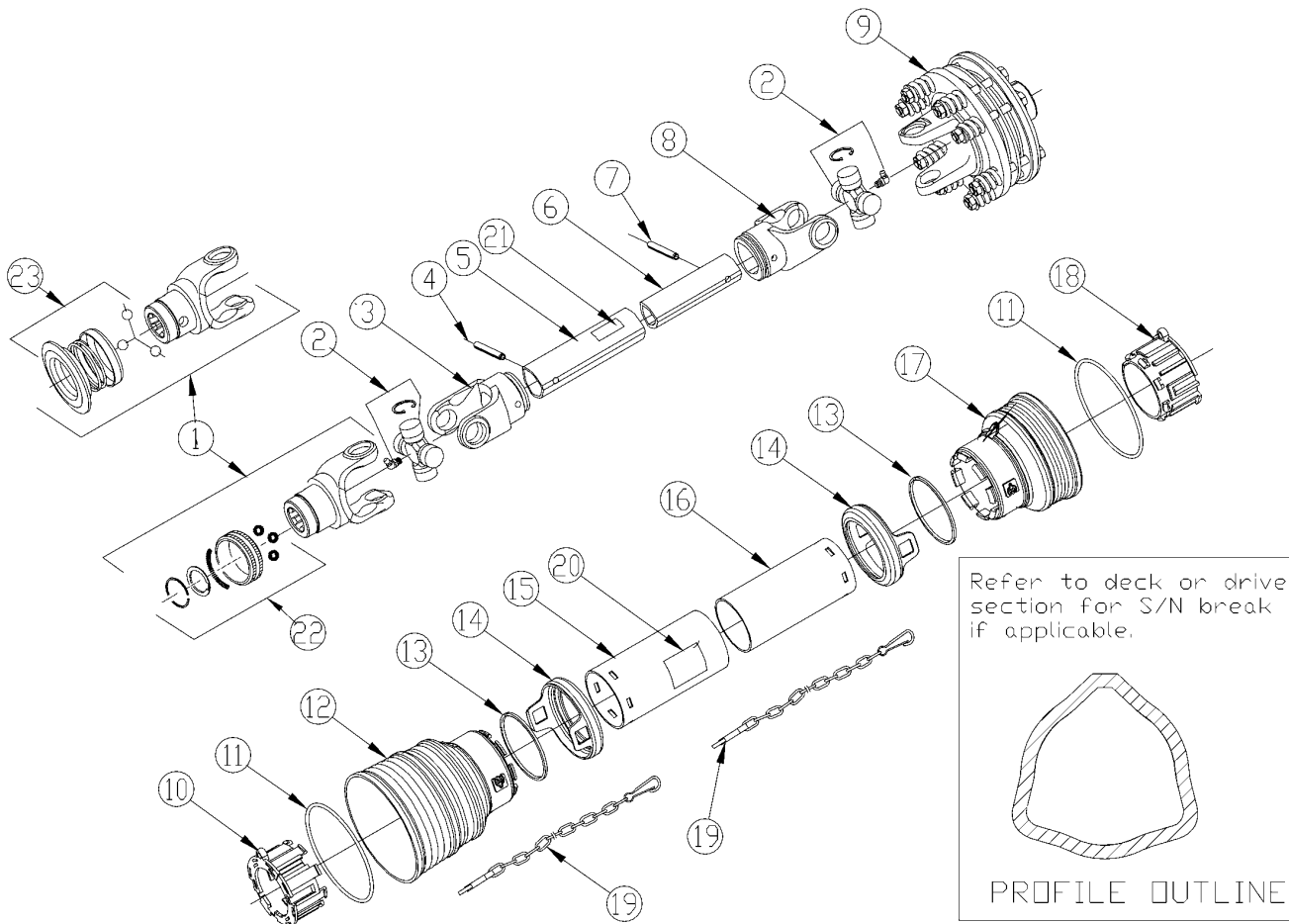
13452

Guard Rear Safety Chain**Applies to RCR2560, RCR2572**

Ref	Part No.	Part Description	Comments	Revision
	dwg13452	Drawing Image Number		
	312-396A	RCR2572 REAR CHAIN GUARD ASSY		
	312-410A	RCR2560 REAR CHAIN GUARD ASSY		
1.	312-624D	ROD 1/4 DIA X 38 1/8 LONG	RCR2572	
1.	312-653D	ROD 1/4 DIA X 33 3/16 LONG	RCR2560	
2.	312-622D	RH REAR CHAIN GUARD	RCR2572	
2.	312-651D	RH REAR CHAIN GUARD	RCR2560	
3.	312-623D	CTR REAR CHAIN GUARD	RCR2572	
3.	312-652D	CTR REAR CHAIN GUARD	RCR2560	
4.	804-016C	WASHER FLAT 1/2 SAE PLT		
5.	804-015C	WASHER LOCK SPRING 1/2 PLT		
6.	803-020C	NUT HEX 1/2-13 PLT		
7.	890-341C	CHAIN WELD 5/16 PROOF X 5 LINK		
8.	802-106C	RHSNB 1/2-13X1 1/2 GR5		Rev. 2
8.	802-214C	RHSNB 1/2-13X1 1/4 GR5		Rev 1; Use up stock
9.	312-621D	LH REAR CHAIN GUARD	RCR2572	
9.	312-650D	LH REAR CHAIN GUARD	RCR2560	
10.	312-625D	ROD 1/4 DIA X 20 7/8 LONG	RCR2572	
10.	312-654D	ROD 1/4 DIA X 18 5/8 LONG	RCR2560	
11.	312-644K	RCR2560 LH REAR CHN GRD SUB	Includes items 4 through 10	
11.	312-640K	RCR2572 LH REAR CHN GRD SUB		
12.	312-646K	RCR2560 CNT REAR CHN GRD SUB	Includes items 1 & 3 through 8	
12.	312-642K	RCR2572 CTR REAR CHN GRD SUB		
13.	312-645K	RCR2560 RH REAR CHN GRD SUB	Includes items 2, 4 through 8 & 10	
13.	312-641K	RCR2572 RH REAR CHN GRD SUB		

Driveline (826-146C) EC New Shields

Applies to RCR2572

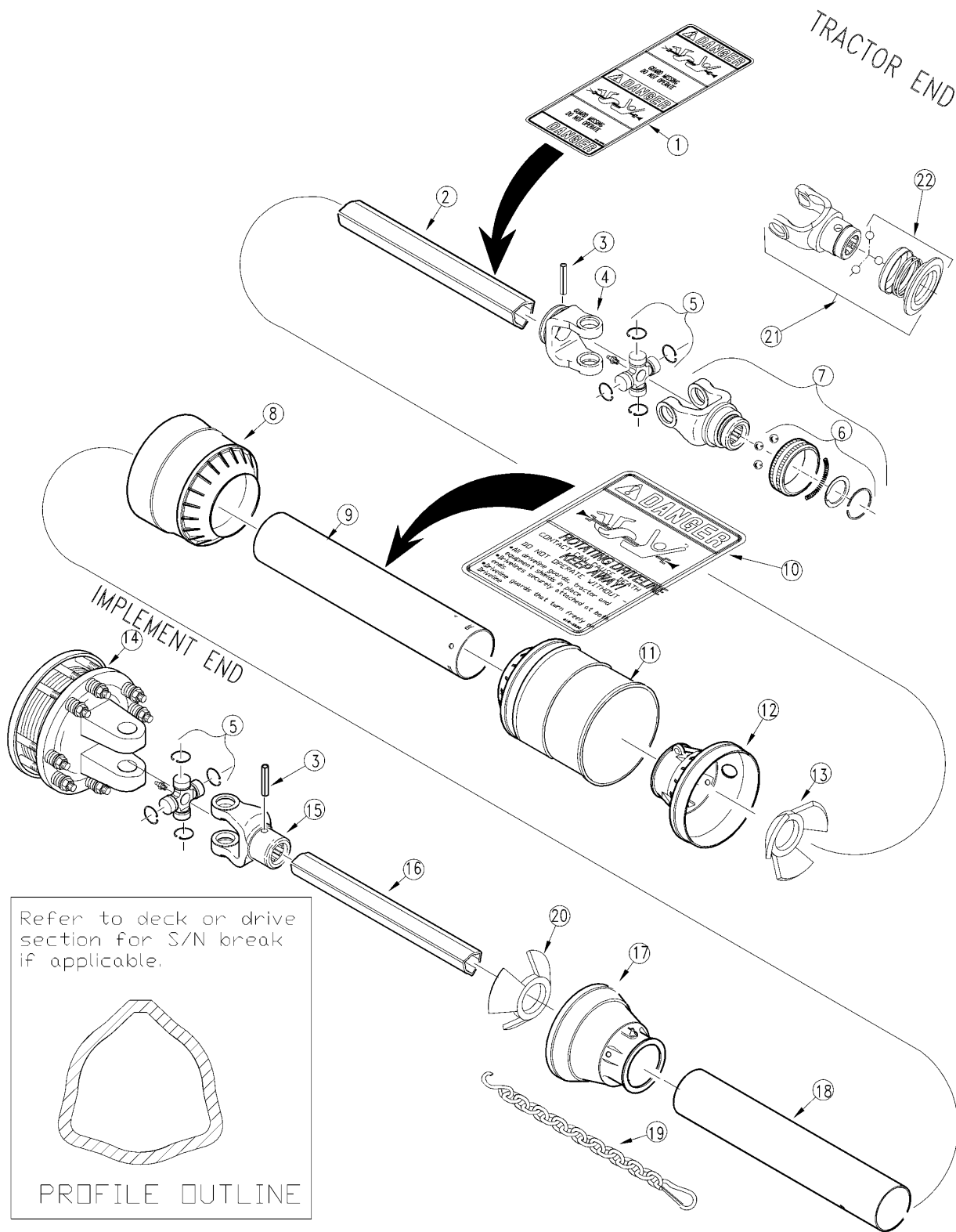


Driveline (826-146C) EC New Shields**Applies to RCR2572**

Ref	Part No.	Part Description	Comments	Revision
	dwg21426	Drawing Image Number		
	826-146C	PTO CAT. 4 X 39.7 SLIP CLUTCH *		
1.	1016012	YOKE ASSEMBLY (TRACT. END)	Pull Collar	
1.	1016010	RPBY 1016012	Twist Collar	
2.	1006020	EC CROSS ASSEMBLY		
3.	1706027	EC OUTER TUBE YOKE		
4.	6331080	EC 10X80-DIN-1481 O/TUBE R/PIN		
5.	1528084	EC 840MM OUT. STOCK LENGTH TB.		
6.	1526084	EC 840MM INNER STOCK TUBE		
7.	6331070	EC 10X70 ROLL PIN		
8.	1706029	EC INNER TUBE YOKE		
9.	1466030	TORQUE LIMITER 4 FRICTION DISK		
10.	1786710	EC TUBE BEARING (OUTER TUBE)		
11.	1215733	EC STIFFENING RING		
12.	1885703	EC STANDARD CONE		
13.	1215735	EC STOP RING		
14.	1885709	EC SAFETY SLEEVE		
15.	1876074	EC OUTER TUBE (1876094) 740MM		
16.	1877074	EC INNER TUBE (1877094) 740MM		
17.	1885702	EC SHORT CONE		
18.	1786711	EC TUBE BEARING (INNER TUBE)		
19.	044321	DRIVELINE SHIELD SAFETY CHAIN		
20.	818-552C	DECAL DANGER PTO DRIVELINE		
21.	818-540C	DECAL DANGER GUARD MISS PTO		
22.	1004220	EC TWIST COLLAR KIT (TRT. END)		
23.	1004225	EC PULL COLLAR KIT		

Driveline (826-146C) EC Old Shields

Applies to RCR2572



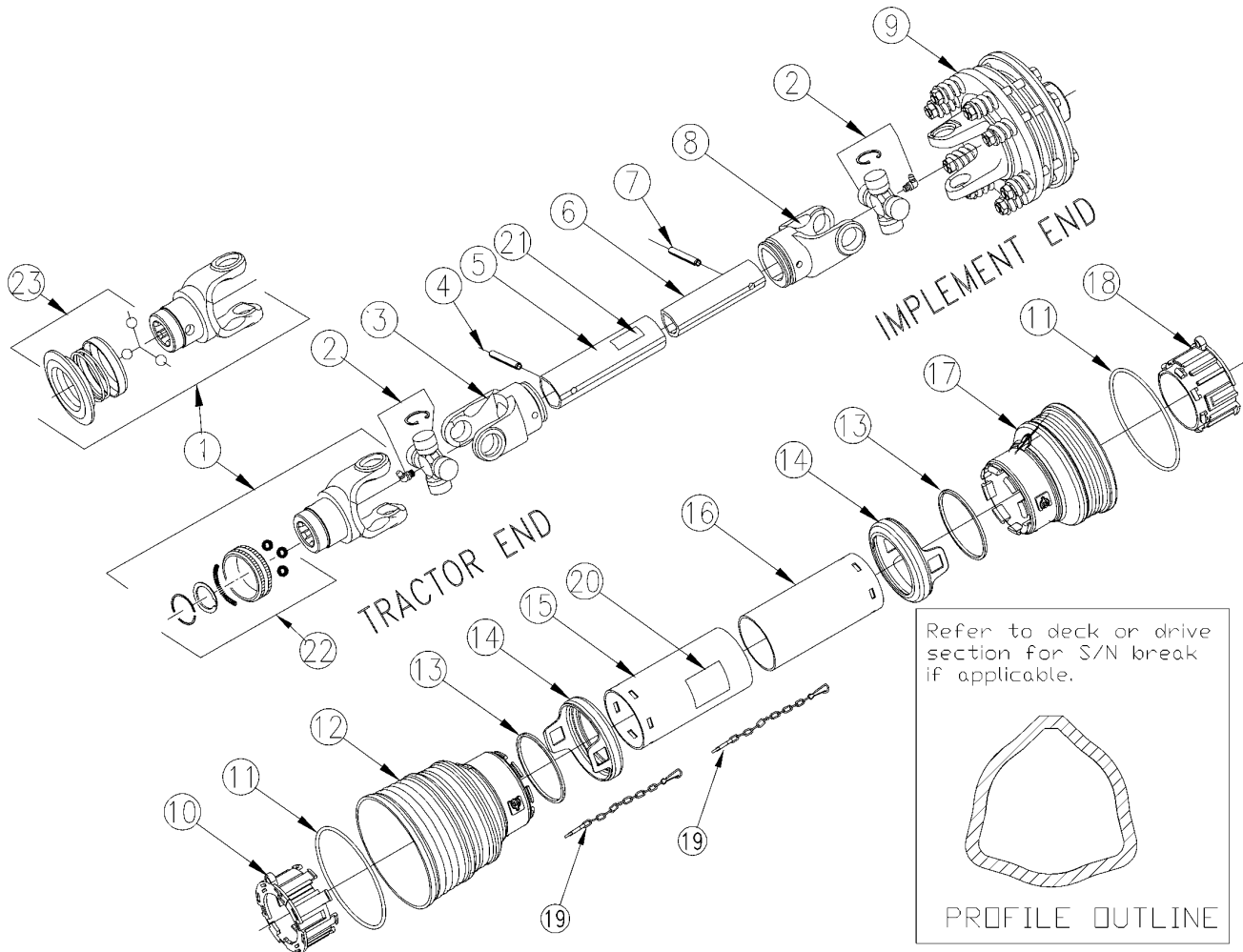
14367

Driveline (826-146C) EC Old Shields**Applies to RCR2572**

Ref	Part No.	Part Description	Comments	Revision
	dwg14367	Drawing Image Number		
	826-146C	PTO CAT. 4 X 39.7 SLIP CLUTCH		
1.	818-540C	DECAL DANGER GUARD MISS PTO		
2.	1528084	EC 1010MM OUTER TUBE		
3.	6331080	EC 10X80-DIN-1481 O/TUBE R/PIN		
4.	1706027	EC OUTER TUBE YOKE		
5.	1006020	EC CROSS ASSEMBLY		
6.	1004220	EC TWIST COLLAR KIT (TRT. END)		
7.	1016010	EC YOKE ASSEMBLY (TRACT. END)		Rev. 2
7.	1706570	RPBY 1016010		Rev 1; Use up stock
8.	1886012	EC SOFT CONE		
9.	1875076	EC OUTER TUBE (1875113) 760MM		
10.	818-552C	DECAL DANGER PTO DRIVELINE		
11.	1886013	EC SOFT CONE		
12.	1786010	EC OUTER TUBE RIGID CONE		
13.	1786009	EC TUBE BEARING		
14.	1466030	TORQUE LIMITER 4 FRICTION DISK		
15.	1706029	EC INNER TUBE YOKE		
16.	1526084	EC 840MM INNER/OUTER TUBE		
17.	1786011	EC INNER TUBE RIGID CONE		
18.	1874076	EC INNER TUBE (1874113) 760MM		
19.	044321	DRIVELINE SHIELD SAFETY CHAIN		
20.	1786008	EC TUBE BEARING		
21.	1016012	YOKE ASSEMBLY PULL TYPE		
22.	1004227	EC PULL COLLAR KIT EVOLUTION		
22.	1004225	RPBY 1004227		

Driveline (826-147C) EC New Shields

Applies to RCR2560

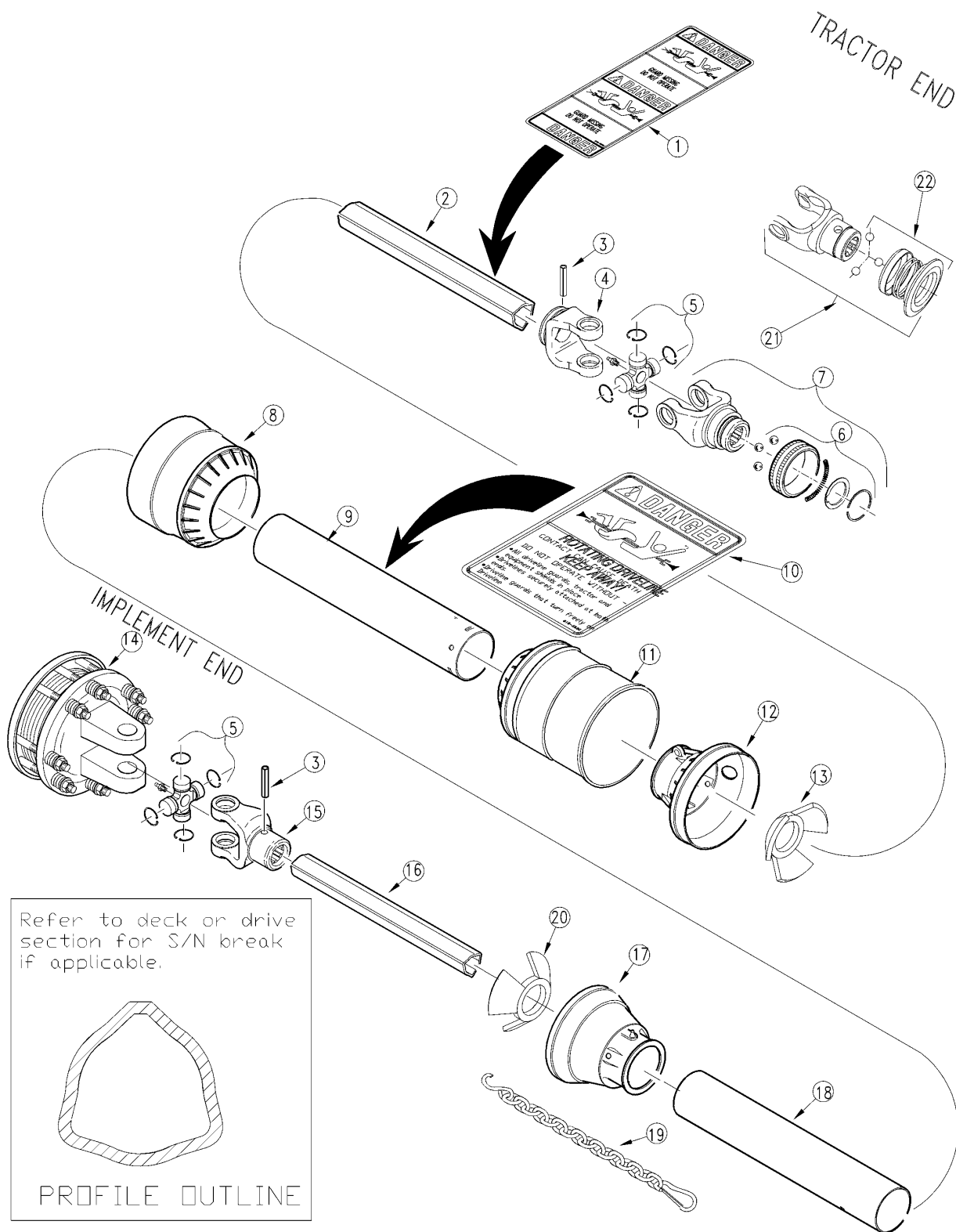


Driveline (826-147C) EC New Shields**Applies to RCR2560**

Ref	Part No.	Part Description	Comments	Revision
	dwg21187 826-147C	Drawing Image Number AX6 DRIVELINE WITH SLIP CLUTCH *		
1.	1016012	YOKE ASSEMBLY (TRACT. END)	Pull Collar	
1.	1016010	RPBY 1016012	Twist Collar	
2.	1006020	EC CROSS ASSEMBLY		
3.	1706027	EC OUTER TUBE YOKE		
4.	6331080	EC 10X80-DIN-1481 O/TUBE R/PIN		
5.	1528074	EC OUTER TUBE (1528084) 740MM		
6.	1526074	EC INNER TUBE (1526084) 740MM		
7.	6331070	EC 10X70 ROLL PIN		
8.	1706029	EC INNER TUBE YOKE		
9.	1466030	TORQUE LIMITER 4 FRICTION DISK		
10.	1786710	EC TUBE BEARING (OUTER TUBE)		
11.	1215733	EC STIFFENING RING		
12.	1885703	EC STANDARD CONE		
13.	1215735	EC STOP RING		
14.	1885709	EC SAFETY SLEEVE		
15.	1876064	EC OUTER TUBE (1876094) 640MM		
16.	1877064	EC INNER TUBE (1877094) 640MM		
17.	1885702	EC SHORT CONE		
18.	1786711	EC TUBE BEARING (INNER TUBE)		
19.	044321	DRIVELINE SHIELD SAFETY CHAIN		Rev. 2
19.	1006065	REP BY 044321		Rev 1; Use up stock
20.	818-552C	DECAL DANGER PTO DRIVELINE		Rev. 2
20.	1140001	REP BY 818-552C		Rev 1; Use up stock
21.	818-540C	DECAL DANGER GUARD MISS PTO		Rev. 2
21.	1140003	REP BY 818-540C		Rev 1; Use up stock
22.	1004220	EC TWIST COLLAR KIT (TRT. END)		
23.	1004227	EC PULL COLLAR KIT EVOLUTION		

Driveline (826-147C) EC Old Shields

Applies to RCR2560



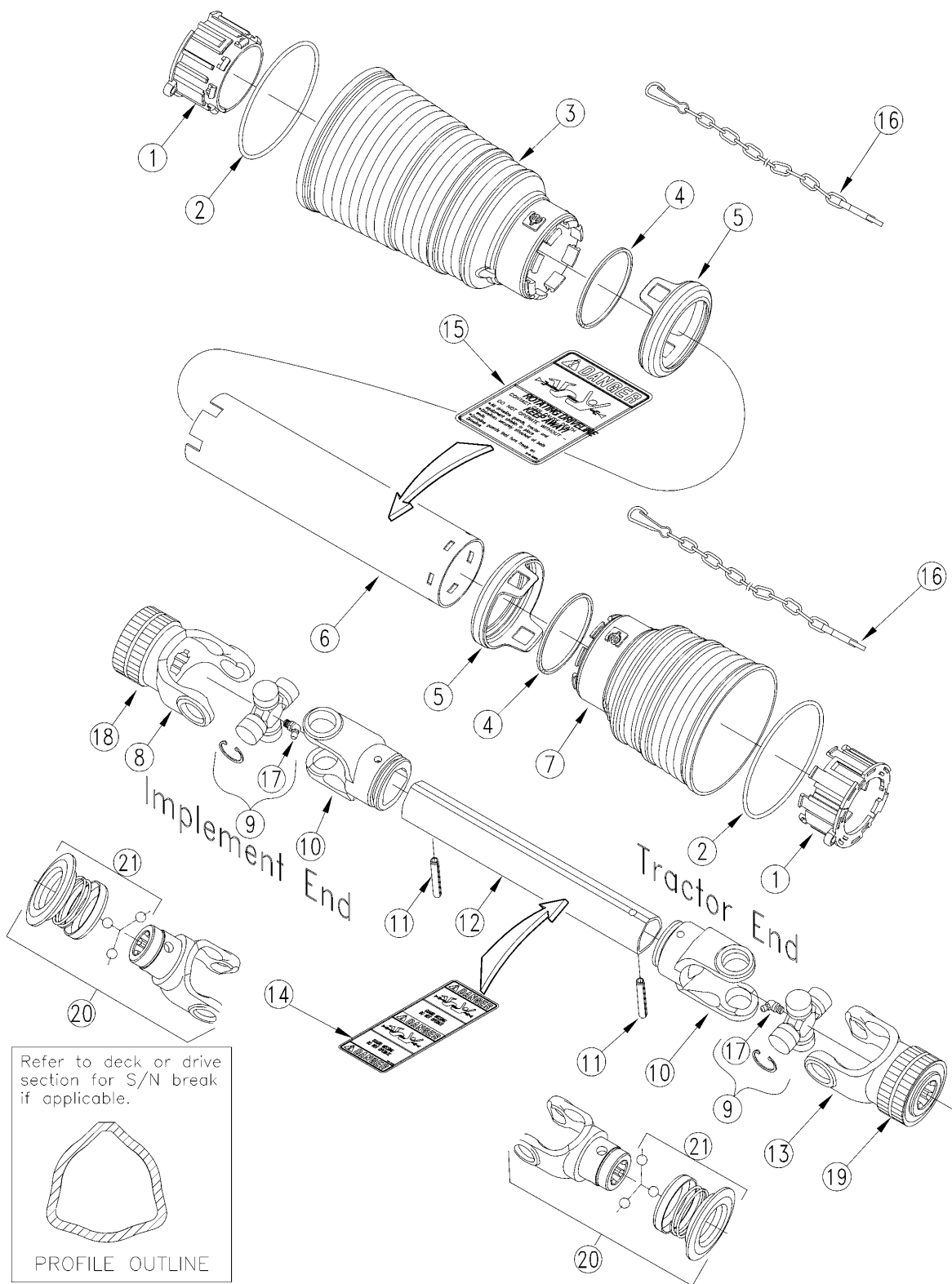
14367

Driveline (826-147C) EC Old Shields**Applies to RCR2560**

Ref	Part No.	Part Description	Comments	Revision
	dwg14367	Drawing Image Number		
	826-147C	PTO CAT. 4 X 35.8 SLIP CLUTCH		
1.	818-540C	DECAL DANGER GUARD MISS PTO		
2.	1528074	EC OUTER TUBE (1528084) 740MM		
3.	6331080	EC 10X80-DIN-1481 O/TUBE R/PIN		
4.	1706027	EC OUTER TUBE YOKE		
5.	1006020	EC CROSS ASSEMBLY		
6.	1004220	EC TWIST COLLAR KIT (TRT. END)		Rev. 2
7.	1016012	EC YOKE ASSEMBLY (TRACT. END)		
8.	1886012	EC SOFT CONE		
9.	1875066	EC 660MM OUTER TUBE		
10.	818-552C	DECAL DANGER PTO DRIVELINE		
11.	1886013	EC SOFT CONE		
12.	1786010	EC OUTER TUBE RIGID CONE		
13.	1786009	EC TUBE BEARING		
14.	1466030	TORQUE LIMITER 4 FRICTION DISK		
15.	1706029	EC INNER TUBE YOKE		
16.	1526074	EC INNER TUBE (1526084) 740MM		
17.	1786011	EC INNER TUBE RIGID CONE		
18.	1874066	EC 660MM INNER TUBE		
19.	044321	DRIVELINE SHIELD SAFETY CHAIN		
20.	1786008	EC TUBE BEARING		
21.	1016012	EC YOKE ASSEMBLY (TRACT. END)		
22.	1004227	EC PULL COLLAR KIT EVOLUTION		

Driveline Fixed Shaft (826-151C) EC New Shielding

Applies to RCR2584, RCR2684



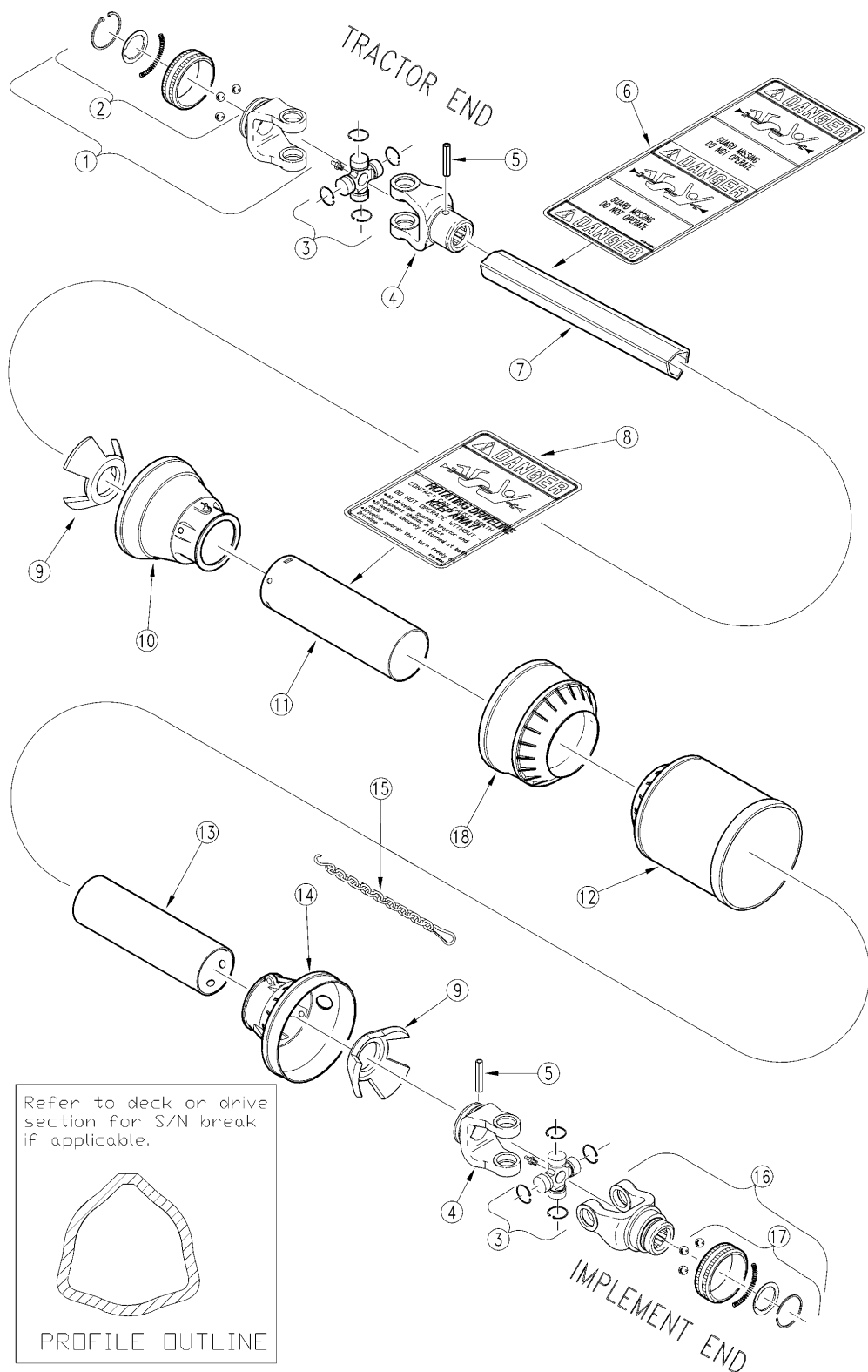
16610

Driveline Fixed Shaft (826-151C) EC New Shielding**Applies to RCR2584, RCR2684**

Ref	Part No.	Part Description	Comments	Revision
	dwg16610	Drawing Image Number		
	826-151C	PTO CAT. 4 X 20.5 FIXED 540		
1.	1786710	EC TUBE BEARING (OUTER TUBE)		
2.	1215733	EC STIFFENING RING		
3.	1885704	EC LONG CONE		
4.	1215735	EC STOP RING		
5.	1885709	EC SAFETY SLEEVE		
6.	1876030D	EC OUTER TUBE SHIELD		
7.	1885703	EC STANDARD CONE		
8.	1116010	EC YOKE ASSY 1 3/8-6(IMP. END)		
9.	1006020	EC CROSS ASSEMBLY		
10.	1706027	EC OUTER TUBE YOKE		
11.	6331080	EC 10X80-DIN-1481 O/TUBE R/PIN		
12.	1528040D	EC OUTER TUBE		
13.	1016010	EC YOKE ASSEMBLY (TRACT. END)		
14.	818-540C	DECAL DANGER GUARD MISS PTO		
15.	818-552C	DECAL DANGER PTO DRIVELINE		
16.	044321	DRIVELINE SHIELD SAFETY CHAIN		
17.	6560508	EC GREASE ZERK 8X1 45 DEG.		
18.	1004224	EC TWIST COLLAR KIT (IMP. END)		
19.	1004220	EC TWIST COLLAR KIT (TRT. END)		
20.	1016012	YOKE ASSEMBLY PULL TYPE		
21.	1004225	EC PULL COLLAR KIT		

Driveline Fixed Shaft (826-151C) EC Old Shielding

Applies to RCR2584, RCR2684



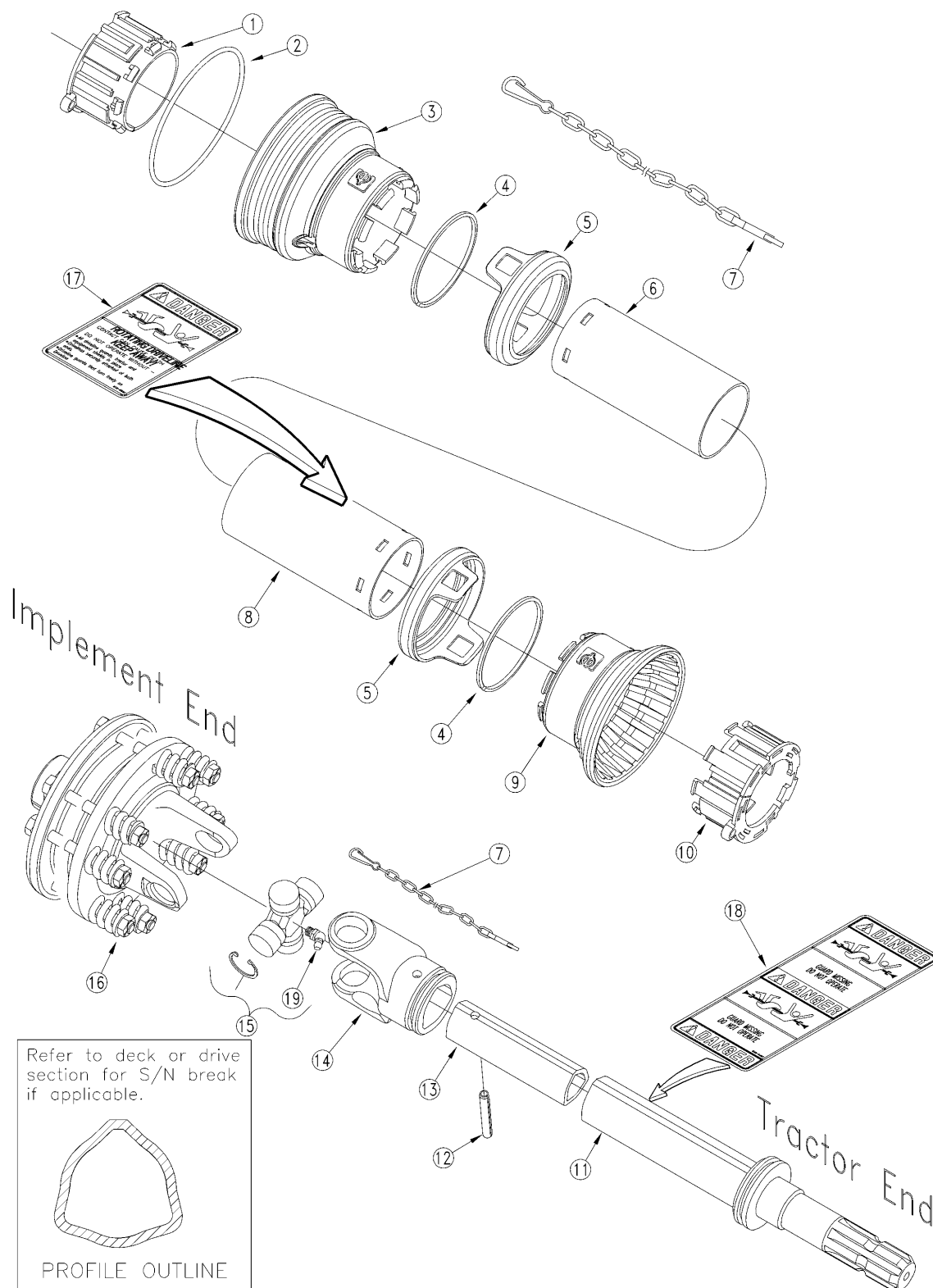
14368

Driveline Fixed Shaft (826-151C) EC Old Shielding**Applies to RCR2584, RCR2684**

Ref	Part No.	Part Description	Comments	Revision
	dwg14368	Drawing Image Number		
	826-151C	PTO CAT. 4 X 20.5 FIXED 540		
1.	1016010	EC YOKE ASSEMBLY (TRACT. END)	Twist Type	
1.	1016012	YOKE ASSEMBLY PULL TYPE		
2.	1004220	EC TWIST COLLAR KIT (TRT. END)		
2.	1004225	EC PULL COLLAR KIT		
3.	1006020	EC CROSS ASSEMBLY		Rev. 2
3.	1006017	RPBY 1006020		Rev 1; Use up stock
4.	1706027	EC OUTER TUBE YOKE		
5.	6331080	EC 10X80-DIN-1481 O/TUBE R/PIN		
6.	818-540C	DECAL DANGER GUARD MISS PTO		
7.	1528303	EC TUBE FIXED SHAFT		Rev. 2
7.	1546040	RPBY 1528323		Rev 1; Use up stock
8.	818-552C	DECAL DANGER PTO DRIVELINE		
9.	1786009	EC TUBE BEARING		
10.	1886010	EC OUTER TUBE RIGID CONE		Rev. 2
10.	1786010	EC OUTER TUBE RIGID CONE		Rev 1; Use up stock
11.	1875027	EC OUTER TUBE (1875066) 270MM		Rev. 2
11.	1786028	RPBY 1875027		Rev 1; Use up stock
12.	1886014	EC SOFT LONG CONE		Rev. 2
12.	1886013	EC SOFT CONE		Rev 1; Use up stock
13.	1874027	EC INNER TUBE (1874066) 270MM		Rev. 2
13.	1776028	RPBY 1874027		Rev 1; Use up stock
14.	1786011	EC INNER TUBE RIGID CONE		
15.	044321	DRIVELINE SHIELD SAFETY CHAIN		
16.	1116010	EC YOKE ASSY 1 3/8-6(IMP. END)	Twist Type	
16.	1016012	YOKE ASSEMBLY PULL TYPE		
17.	1004224	EC TWIST COLLAR KIT (IMP. END)		
17.	1004225	EC PULL COLLAR KIT		
18.	1886013	EC SOFT CONE		

Driveline Jackshaft (826-152C) EC New Shielding

Applies to RCR2584, RCR2684



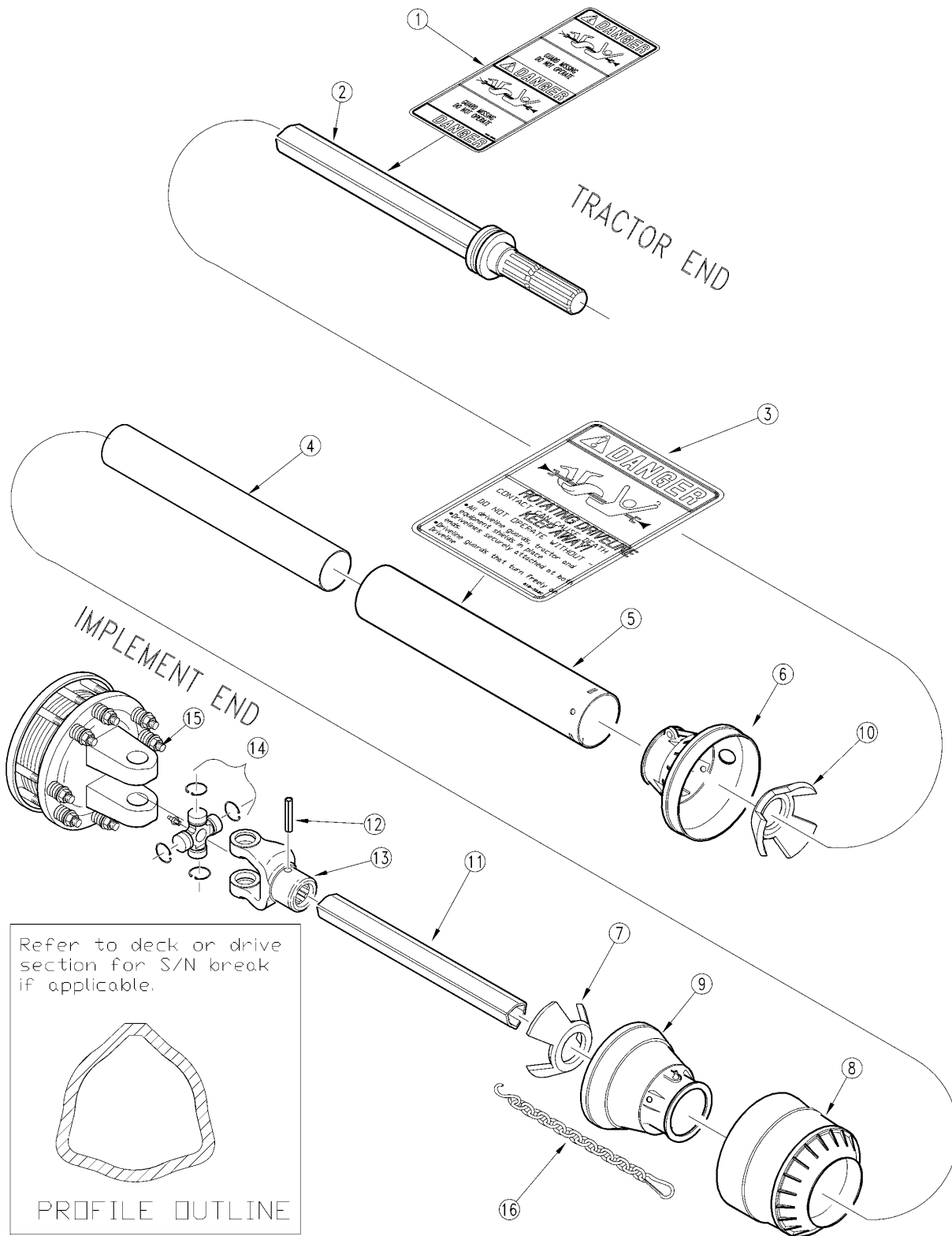
16173

Driveline Jackshaft (826-152C) EC New Shielding**Applies to RCR2584, RCR2684**

Ref	Part No.	Part Description	Comments	Revision
	dwg16173	Drawing Image Number		
	826-152C	PTO CAT. 4 X 49.21 JACKSHAFT		
1.	1786711	EC TUBE BEARING (INNER TUBE)		
2.	1215733	EC STIFFENING RING		
3.	1885702	EC SHORT CONE		
4.	1215735	EC STOP RING		
5.	1885709	EC SAFETY SLEEVE		
6.	1877092	EC INNER TUBE SHIELD 920MM		
7.	044321	DRIVELINE SHIELD SAFETY CHAIN		
8.	1876092	EC OUTER TUBE SHIELD 920MM		
9.	1885705	EC EXTRA SHORT CONE (FOR MX)		
10.	1786710	EC TUBE BEARING (OUTER TUBE)		
11.	1896097N327	EC OUTER TUBE ASSY		
12.	6331070	EC 10X70 ROLL PIN		
13.	1526098	EC INNER TUBE 980MM		
14.	1706029	EC INNER TUBE YOKE		
15.	1006020	EC CROSS ASSEMBLY		
16.	1466030	TORQUE LIMITER 4 FRICTION DISK		
17.	818-552C	DECAL DANGER PTO DRIVELINE		
18.	818-540C	DECAL DANGER GUARD MISS PTO		
19.	6560508	EC GREASE ZERK 8X1 45 DEG.		

Driveline Jackshaft (826-152C) EC Old Shielding

Applies to RCR2584, RCR2684



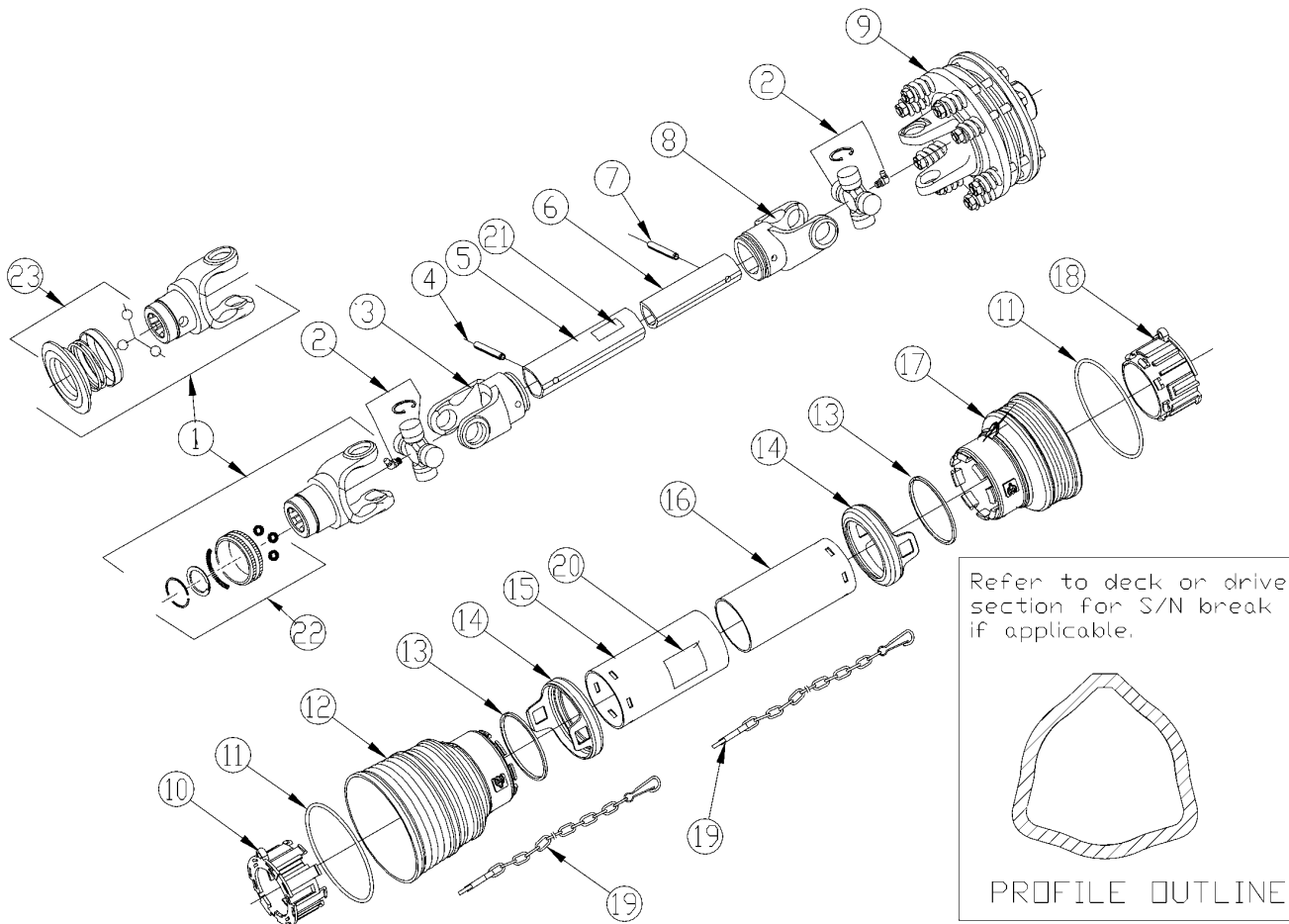
14369

Driveline Jackshaft (826-152C) EC Old Shielding**Applies to RCR2584, RCR2684**

Ref	Part No.	Part Description	Comments	Revision
	dwg14369	Drawing Image Number		
	826-152C	PTO CAT. 4 X 49.21 JACKSHAFT		
1.	818-540C	DECAL DANGER GUARD MISS PTO		
2.	1896099	EC INNER TUBE ASSY		
3.	818-552C	DECAL DANGER PTO DRIVELINE		
4.	1874094	EC INNER TUBE (1874113) 940MM		
5.	1875094	EC OUTER TUBE (1875113) 940MM		
6.	1886321	EC OUTER TUBE RIGID CONE		
7.	1786009	EC TUBE BEARING		
8.	1886012	EC SOFT CONE		
9.	1886011	EC INNER TUBE RIGID CONE		
10.	1786008	EC TUBE BEARING		
11.	1528101	EC OUTER TUBE (1528084) 1010MM		
12.	6331080	EC 10X80-DIN-1481 O/TUBE R/PIN		
13.	1706027	EC OUTER TUBE YOKE		
14.	1006020	EC CROSS ASSEMBLY		
15.	1466030	TORQUE LIMITER 4 FRICTION DISK		
16.	044321	DRIVELINE SHIELD SAFETY CHAIN		

Driveline Lift Type Cutter (826-150C) EC New Shielding

Applies to RCR2584, RCR2684

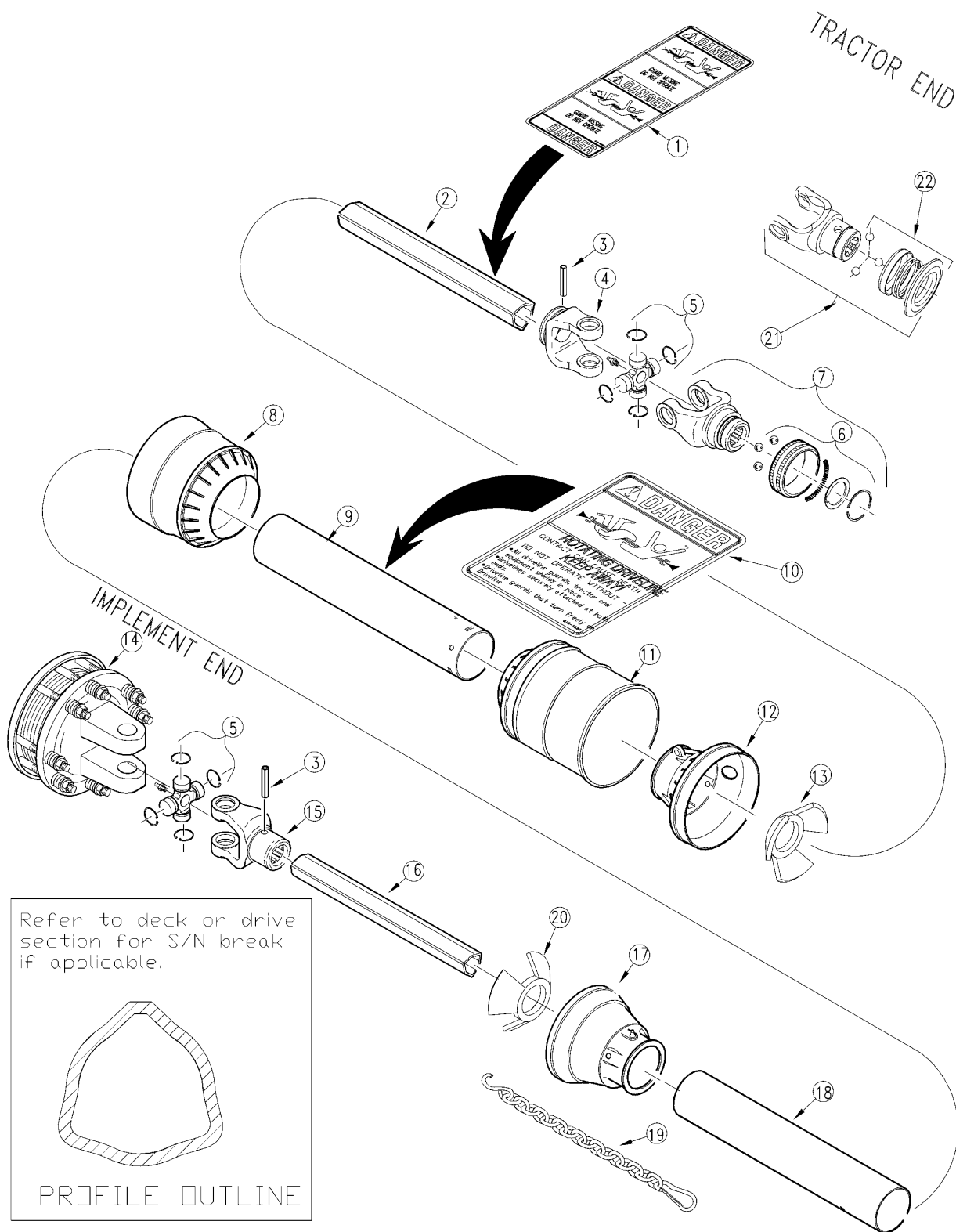


Driveline Lift Type Cutter (826-150C) EC New Shielding**Applies to RCR2584, RCR2684**

Ref	Part No.	Part Description	Comments	Revision
	dwg21426 826-150C	Drawing Image Number PTO CAT. 4 X 43.7 SLIP CLUTCH *		
1.	1016012	YOKE ASSEMBLY PULL TYPE	Pull Collar	
1.	1016010	EC YOKE ASSEMBLY (TRACT. END)	Twist Collar	
2.	1006020	EC CROSS ASSEMBLY		
3.	1706027	EC OUTER TUBE YOKE		Rev. 2
4.	6331080	EC 10X80-DIN-1481 O/TUBE R/PIN		
5.	1528094	EC OUTER TUBE (1528106) 940MM		
6.	1526094	EC INNER TUBE (1526121) 940MM		
7.	6331070	EC 10X70 ROLL PIN		Rev. 2
8.	1706029	EC INNER TUBE YOKE		
9.	1466030	TORQUE LIMITER 4 FRICTION DISK		
10.	1786710	EC TUBE BEARING (OUTER TUBE)		
11.	1215733	EC STIFFENING RING		
12.	1885703	EC STANDARD CONE		
13.	1215735	EC STOP RING		
14.	1885709	EC SAFETY SLEEVE		
15.	1876084	EC OUTER TUBE (1876094) 840MM		
16.	1877084	EC INNER TUBE (1877094) 840MM		
17.	1885702	EC SHORT CONE		
18.	1786711	EC TUBE BEARING (INNER TUBE)		
19.	044321	DRIVELINE SHIELD SAFETY CHAIN		
20.	818-552C	DECAL DANGER PTO DRIVELINE		
21.	818-540C	DECAL DANGER GUARD MISS PTO		
22.	1004220	EC TWIST COLLAR KIT (TRT. END)		
23.	1004225	EC PULL COLLAR KIT		

Driveline Lift Type Cutter (826-150C) EC Old Shielding

Applies to RCR2584, RCR2684



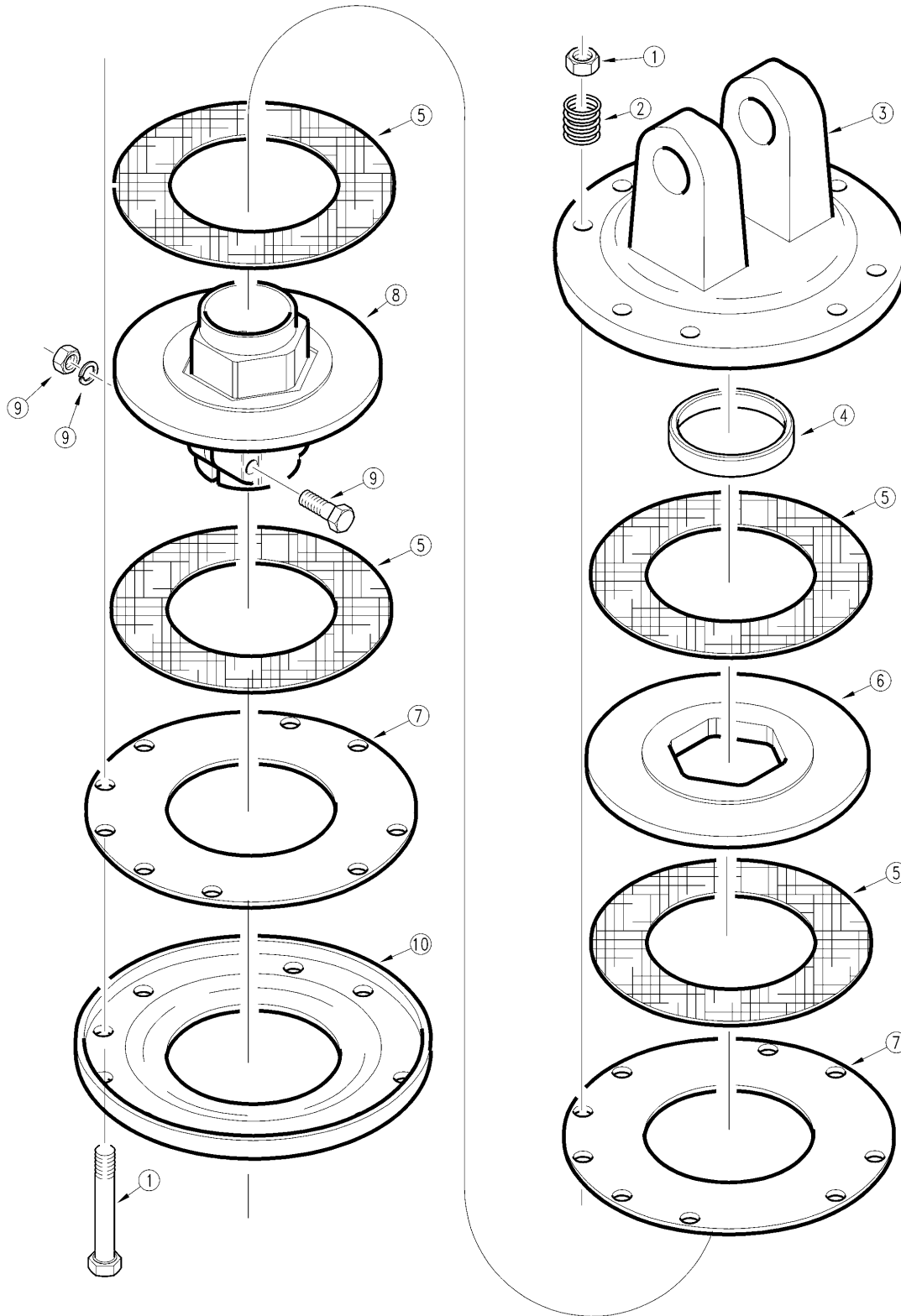
14367

Driveline Lift Type Cutter (826-150C) EC Old Shielding**Applies to RCR2584, RCR2684**

Ref	Part No.	Part Description	Comments	Revision
	dwg14367	Drawing Image Number		
	826-150C	PTO CAT. 4 X 43.7 SLIP CLUTCH		
1.	818-540C	DECAL DANGER GUARD MISS PTO		
2.	1528094	EC OUTER TUBE		
3.	6331080	EC 10X80-DIN-1481 O/TUBE R/PIN		
4.	1706027	EC OUTER TUBE YOKE		
5.	1006020	EC CROSS ASSEMBLY		
6.	1004220	EC TWIST COLLAR (TRACT. END)		
6.	1004225	EC PULL COLLAR KIT		
7.	1016010	EC YOKE ASSEMBLY (TRACT. END)	Twist Type	
7.	1016012	YOKE ASSEMBLY PULL TYPE		
8.	1886012	EC SOFT CONE		
9.	1875086	EC OUTER TUBE SHIELD		
10.	818-552C	DECAL DANGER PTO DRIVELINE		
11.	1886013	EC SOFT CONE		
12.	1886010	EC OUTER TUBE RIGID CONE		
13.	1786009	EC TUBE BEARING (OLD STYLE)		
14.	1466030	TORQUE LIMITER 4 FRICTION DISK		
15.	1706029	EC INNER TUBE YOKE		
16.	1526094	EC INNER TUBE		
17.	1886011	EC INNER TUBE RIGID CONE		
18.	1874086	EC INNER TUBE SHIELD		
19.	044321	WALTERSCHEID SAFETY CHAIN		
20.	1786008	EC TUBE BEARING (OLD STYLE)		
21.	1016012	YOKE ASSEMBLY PULL TYPE		
22.	1004227	EC PULL COLLAR KIT EVOLUTION		

Driveline Slip Clutch (1466030)

Applies to RCR2560, RCR2572



13692

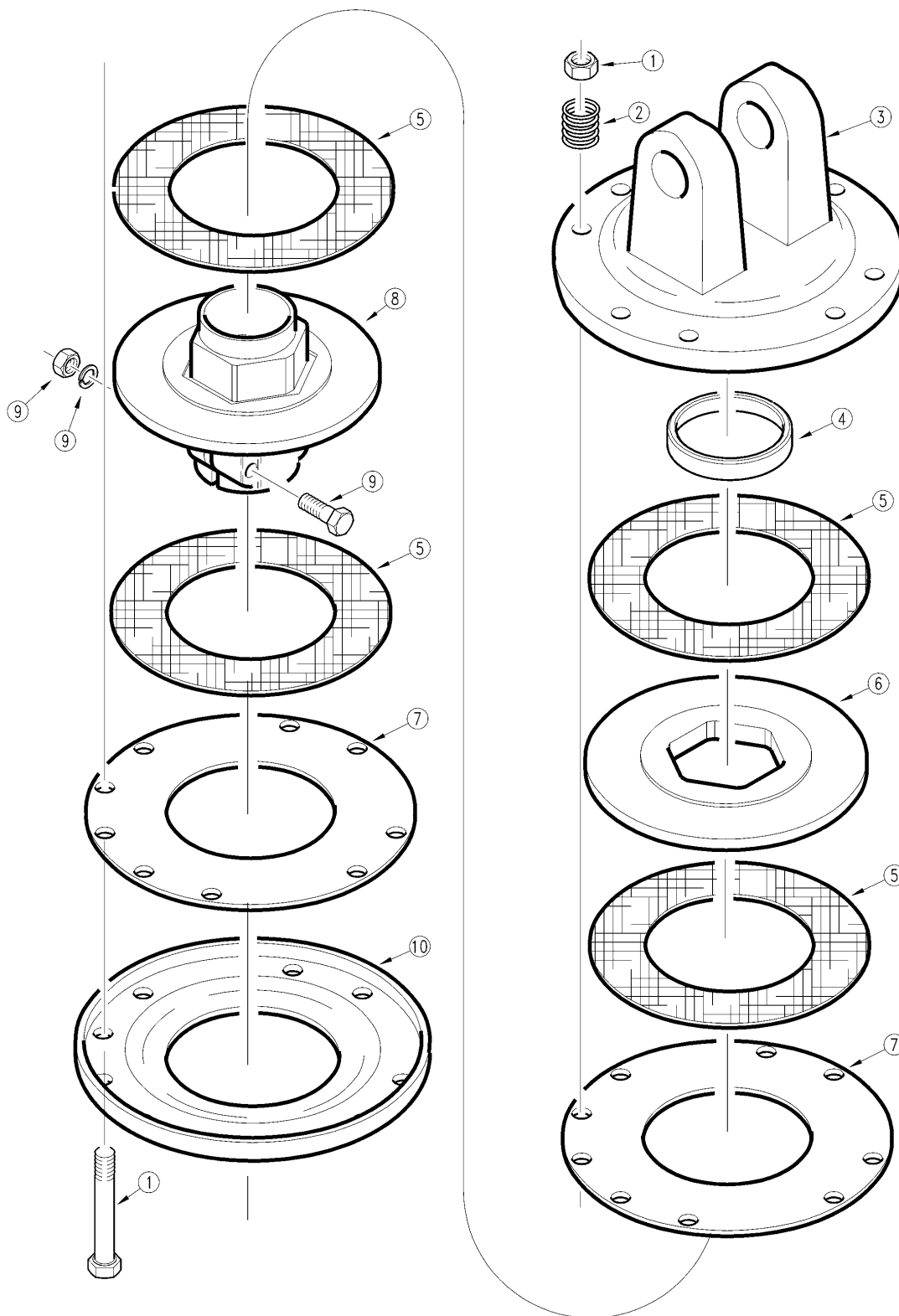
Driveline Slip Clutch (1466030)

Applies to RCR2560, RCR2572

Ref	Part No.	Part Description	Comments	Revision
	dwg13692	Drawing Image Number		
	1466030	TORQUE LIMITER 4 FRICTION DISK		
1.	1421010	EC COMPLETE BOLT M10X100(HUB)		
2.	1215012	EC CLUTCH SPRING		
3.	1706033	EC CLUTCH YOKE W/FLANGE		
4.	1705009	EC CLUTCH BUSHING		
5.	1808010	EC CLUTCH LINING RING		
6.	1708034	EC CLUTCH MIDDLE DISK		
7.	1138008	EC INNER DISK		
8.	1708018	EC CLUTCH HUB W/FLANGE		
9.	1341270	EC COMPL. CONN. BOLT M12X70		
10.	1138007	EC PRESSURE DISK		

Driveline Slip Clutch (1466030)

Applies to RCR2584, RCR2684



13692

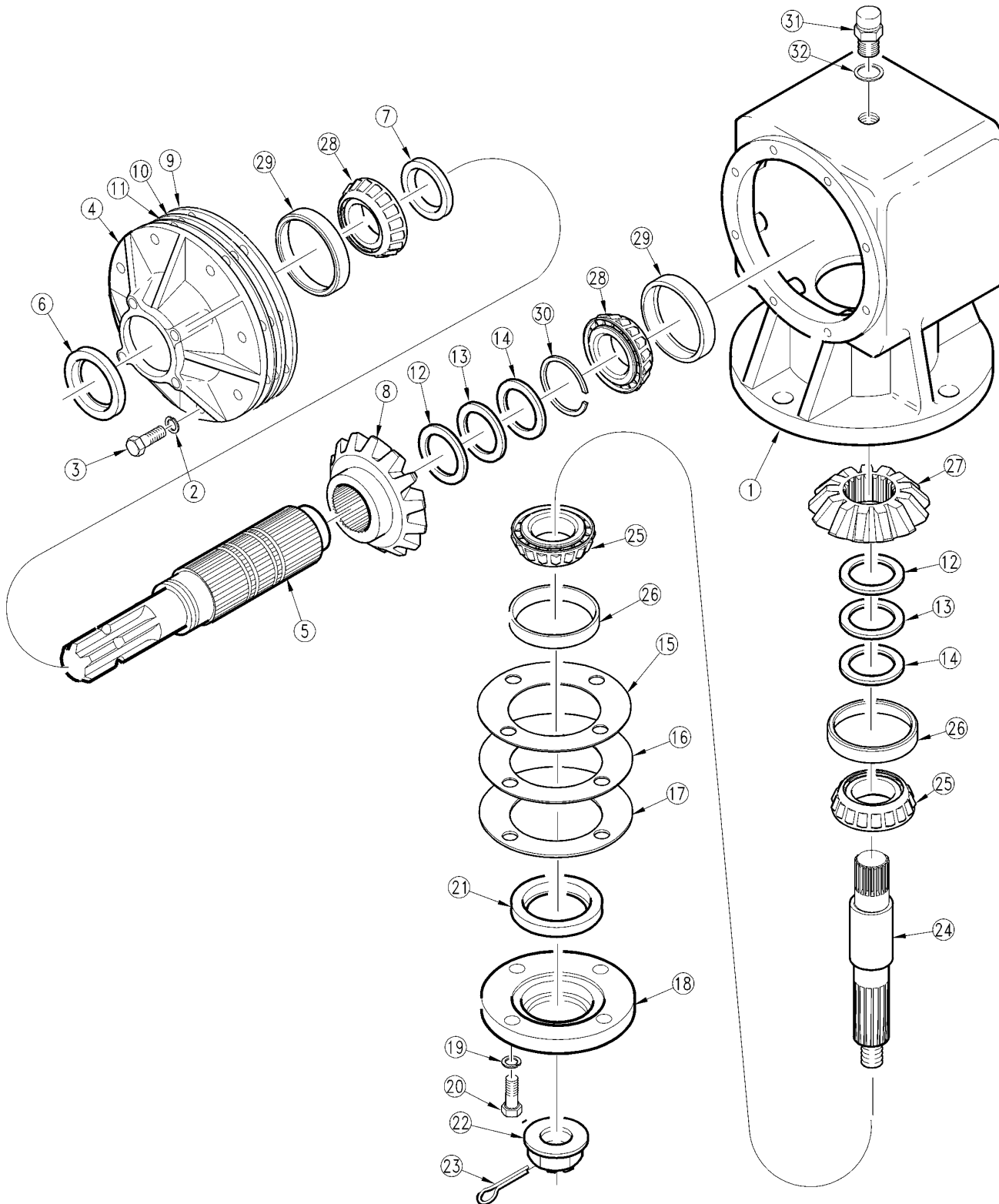
Driveline Slip Clutch (1466030)

Applies to RCR2584, RCR2684

Ref	Part No.	Part Description	Comments	Revision
	dwg13692	Drawing Image Number		
	1466030	TORQUE LIMITER 4 FRICTION DISK		
1.	1421010	EC COMPLETE BOLT M10X100(HUB)		
2.	1215012	EC CLUTCH SPRING		
3.	1706033	EC CLUTCH YOKE W/FLANGE		
4.	1705009	EC CLUTCH BUSHING		
5.	1808010	EC CLUTCH LINING RING		
6.	1708034	EC CLUTCH MIDDLE DISK		
7.	1138008	EC INNER DISK		
8.	1708018	EC CLUTCH HUB W/FLANGE		
9.	1341270	EC COMPL. CONN. BOLT M12X70		
10.	1138007	EC PRESSURE DISK		

Gearbox (826-035C) ITG (S/N 160730 to 191029)

Applies to RCR2560, RCR2572



15090

Gearbox (826-035C) ITG (S/N 160730 to 191029)**Applies to RCR2560, RCR2572**

Ref	Part No.	Part Description	Comments	Revision
	dwg15090	Drawing Image Number		
	826-035C	GEARBOX RC71SS 1:1.46 INCREASE		
1.	18-027	ITG HOUSING		
2.	07-001	ITG M10 LOCKWASHER		
3.	06-017	ITG HEX HEAD CAP SCREW		
4.	20-026	ITG INPUT CAP		
5.	02-054	ITG INPUT SHAFT		
6.	05-014	ITG INPUT OIL SEAL		
7.	10-027	ITG SPACER		
8.	03-060	ITG 19 TOOTH GEAR		
9.	08-006	ITG INPUT CAP GASKET 0.10MM		
10.	08-007	ITG INPUT CAP GASKET 0.25MM		
11.	08-006	ITG INPUT CAP GASKET 0.10MM		
12.	17-001	ITG SHIM 0.4		
13.	17-002	ITG SHIM 0.3		
14.	17-003	ITG SHIM 0.5		
15.	08-001	ITG OUTPUT CAP GASKET 0.10MM		
16.	08-002	ITG OUTPUT CAP GASKET 0.25MM		
17.	08-003	ITG OUTPUT CAP GASKET 0.45MM		
18.	20-025	ITG OUTPUT CAP		
19.	07-010	ITG LOCKWASHER		
20.	06-018	ITG HEX HEAD CAP SCREW		
21.	05-003	ITG OUTPUT OIL SEAL		
22.	11-008	ITG 1-14 FLANGED HEX NUT		
23.	12-003	ITG COTTER PIN		
24.	02-053	ITG OUTPUT SHAFT		
25.	04-010	ITG BEARING CONE		
26.	04-009	ITG BEARING CUP		
27.	03-061	ITG 13 TOOTH GEAR		
28.	04-007	ITG BEARING CONE		
29.	04-008	BEARING CUP		
30.	21-001	ITG RETAINING RING		
31.	09-011	ITG M18 X 1.5P PLUG VENTED		
32.	07-022	ITG SEALING WASHER		

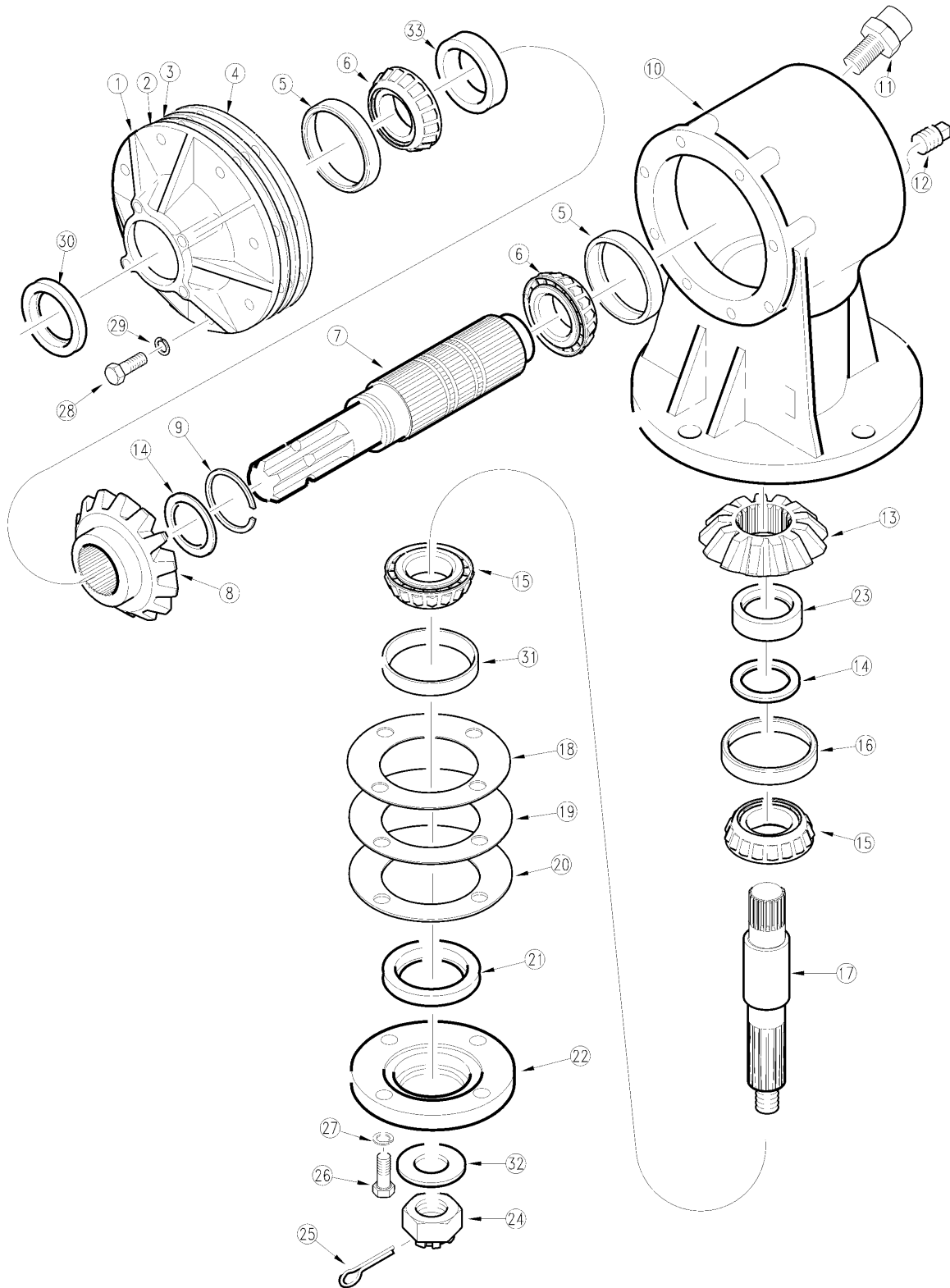
*

IMPORTANT NOTE:

When ordering gearbox parts, be sure to have the I.D. tag number off the gearbox and the serial number off of the cutter. This is Important in knowing which gearbox your cutter has.

Gearbox (826-035C) OMNI (S/N 160729-)

Applies to RCR2560, RCR2572



14120

Gearbox (826-035C) OMNI (S/N 160729-)**Applies to RCR2560, RCR2572**

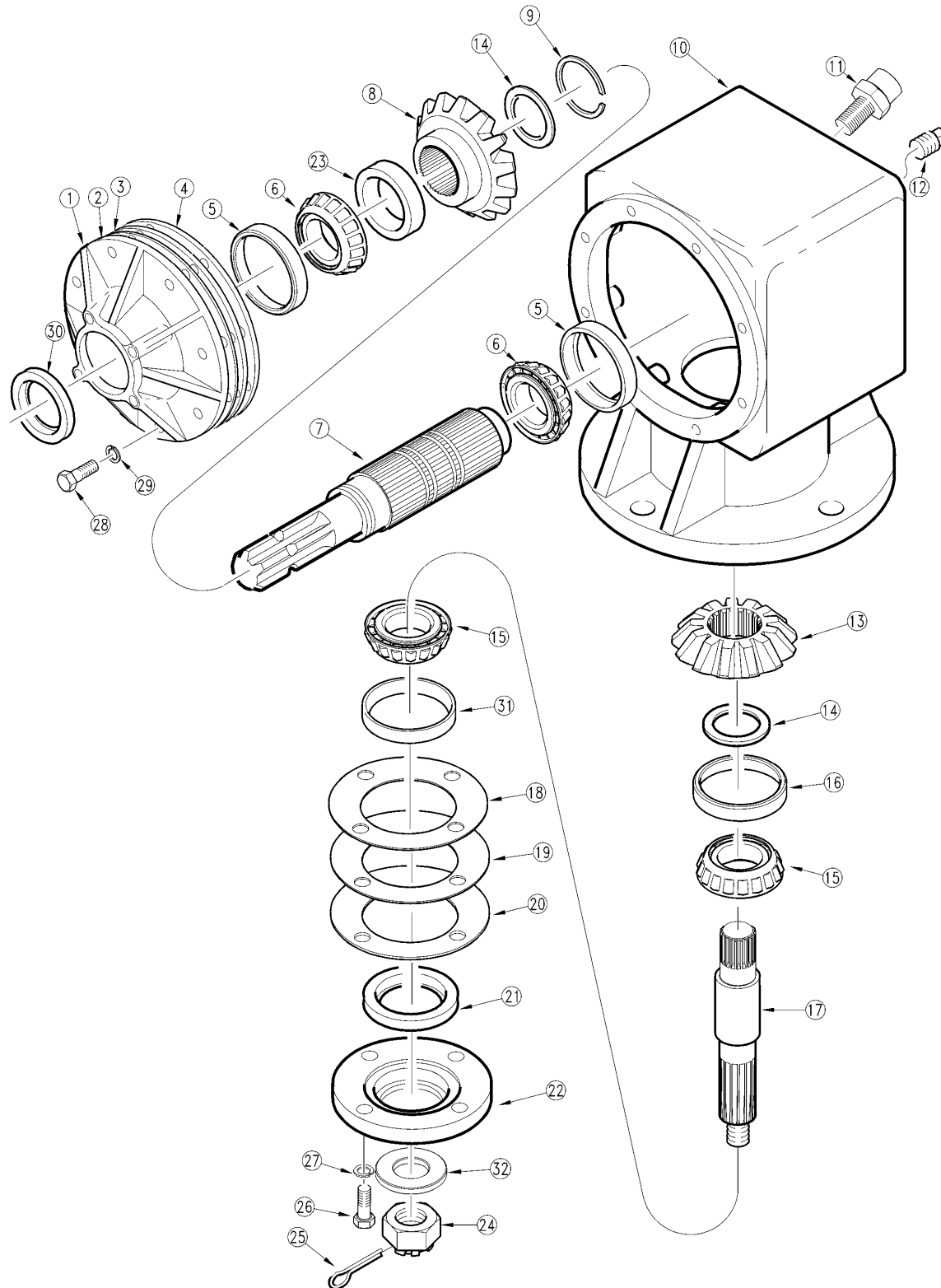
Ref	Part No.	Part Description	Comments	Revision
	dwg14120	Drawing Image Number		
	826-035C	GEARBOX RC71SS 1:1.46 INCREASE		
1.	020162	OMNI INPUT CAP		
2.	070142	OMNI GASKET 0.10MM		
3.	070141	OMNI GASKET 0.15MM		
4.	070140	OMNI GASKET 0.30MM		
5.	050013	OMNI BEARING CUP - LM 603014		
6.	050012	OMNI BEARING CONE -LM603049		
7.	040135	OMNI INPUT SHAFT		
8.	030040	INPUT GEAR - 17 T., OMNI		
9.	200003	OMNI RETAINING RING		
10.	010112	OMNI HOUSING		
11.	140033	OMNI PLUG VENT 1/2"		
12.	140017	OMNI PLUG PIPE SQ HEAD 1/8"		
13.	030041	OUTPUT PINION - 14 T., OMNI		
14.	090073	OMNI SHIM .25		
15.	050008	OMNI BEARING CONE - 368		
16.	050014	BEARING CUP - 362A, OMNI	(S/N 107994+)	Rev. 2 not compat. w/Rev. 1
16.	050015	BEARING CUP - 362, OMNI	(S/N 107993-)	Rev. 1
17.	040112	OUTPUT SHAFT, OMNI		
18.	070145	OMNI GASKET 0.10MM		
19.	070144	OMNI GASKET 0.15MM		
20.	070143	OMNI GASKET 0.30MM		
21.	060004	OMNI OUTPUT SEAL		
22.	020005	OMNI OUTPUT CAP		
23.	090055	SPACER, OMNI		
24.	803-095C	NUT HEX SLOTTED 1-14		
25.	805-017C	PIN COTTER 3/16 X 1 3/4 PLT		
26.	802-091C	HHCS 1/2-13X1 1/2 GR5		
27.	804-015C	WASHER LOCK SPRING 1/2 PLT		
28.	802-079C	HHCS 3/8-16X1 1/4 GR5		
29.	804-013C	WASHER LOCK SPRING 3/8 PLT		
30.	060005	INPUT SEAL, OMNI		
31.	050015	BEARING CUP - 362, OMNI		
32.	804-070C	FLAT WASHER 1 SPECIAL		
33.	090055	SPACER, OMNI		

IMPORTANT NOTE:**

When ordering gearbox parts, be sure to have the I.D. tag number off the gearbox and the serial number off of the cutter. This is Important in knowing which gearbox your cutter has.

Gearbox (826-035C) OMNI (S/N 191030+)

Applies to RCR2560, RCR2572



26951

Gearbox (826-035C) OMNI (S/N 191030+)**Applies to RCR2560, RCR2572**

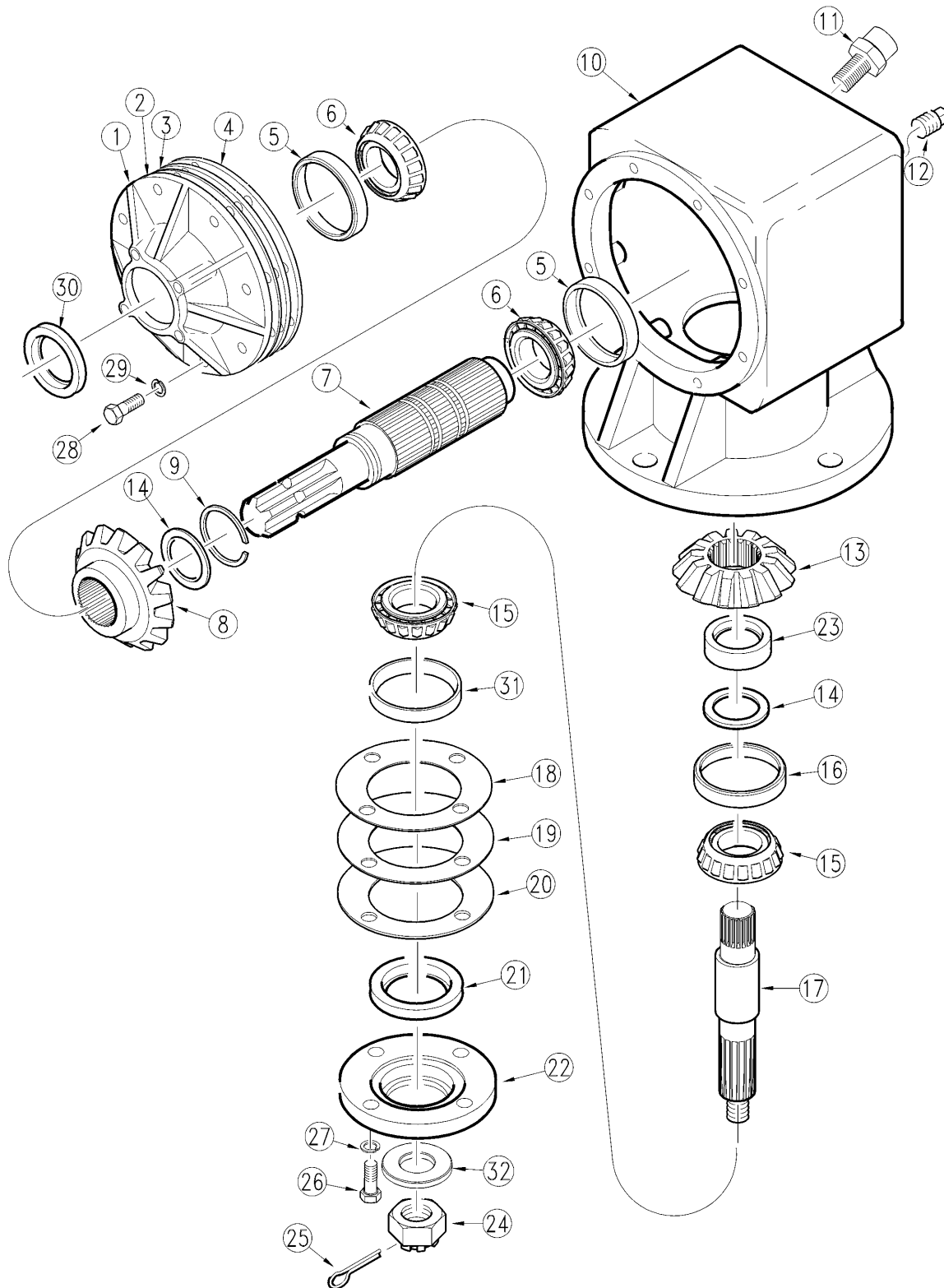
Ref	Part No.	Part Description	Comments	Revision
	dwg26951	Drawing Image Number		
	826-035C	GEARBOX RC71SS 1:1.46 INCREASE		
1.	020162	OMNI INPUT CAP		
2.	070142	OMNI GASKET 0.10MM		
3.	070141	OMNI GASKET 0.15MM		
4.	070140	OMNI GASKET 0.30MM		
5.	050013	OMNI BEARING CUP - LM 603014		
6.	050012	OMNI BEARING CONE -LM603049		
7.	040135	OMNI INPUT SHAFT		
8.	030039	INPUT GEAR - 19 T., OMNI		
9.	200003	OMNI RETAINING RING		
10.	010160	OMNI HOUSING RC71SS	(S/N 191030+) Square Housing	Rev. 2 not compat. w/Rev. 1
10.	010112	OMNI HOUSING	(S/N 191029-) Round Housing	Rev. 1
11.	140033	OMNI PLUG VENT 1/2-14 NPTF		
12.	140017	OMNI PLUG PIPE SQ HD1/8-27NPTF		
13.	030038	OUTPUT PINION - 13 T., OMNI		
14.	090073	OMNI SHIM .25		
15.	050008	OMNI BEARING CONE - 368		
16.	050014	BEARING CUP - 362A, OMNI		
17.	040112	OUTPUT SHAFT, OMNI		
18.	070145	OMNI GASKET 0.10MM		
19.	070144	OMNI GASKET 0.15MM		
20.	070143	OMNI GASKET 0.30MM		
21.	060004	OMNI OUTPUT SEAL		
22.	020005	OMNI OUTPUT CAP		
23.	090055	SPACER, OMNI		
24.	803-095C	NUT HEX SLOTTED 1-14		
25.	805-017C	PIN COTTER 3/16 X 1 3/4 PLT		
26.	802-091C	HHCS 1/2-13X1 1/2 GR5		
27.	804-015C	WASHER LOCK SPRING 1/2 PLT		
28.	802-079C	HHCS 3/8-16X1 1/4 GR5		
29.	804-013C	WASHER LOCK SPRING 3/8 PLT		
30.	060005	INPUT SEAL, OMNI		
31.	050015	BEARING CUP - 362, OMNI		
32.	804-070C	FLAT WASHER 1 SPECIAL		

IMPORTANT NOTE:

When ordering gearbox parts, be sure to have the I.D. tag number off the gearbox and the serial number off of the cutter. This is Important in knowing which gearbox your cutter has.

Gearbox (826-038C) OMNI

Applies to RCR2584, RCR2684



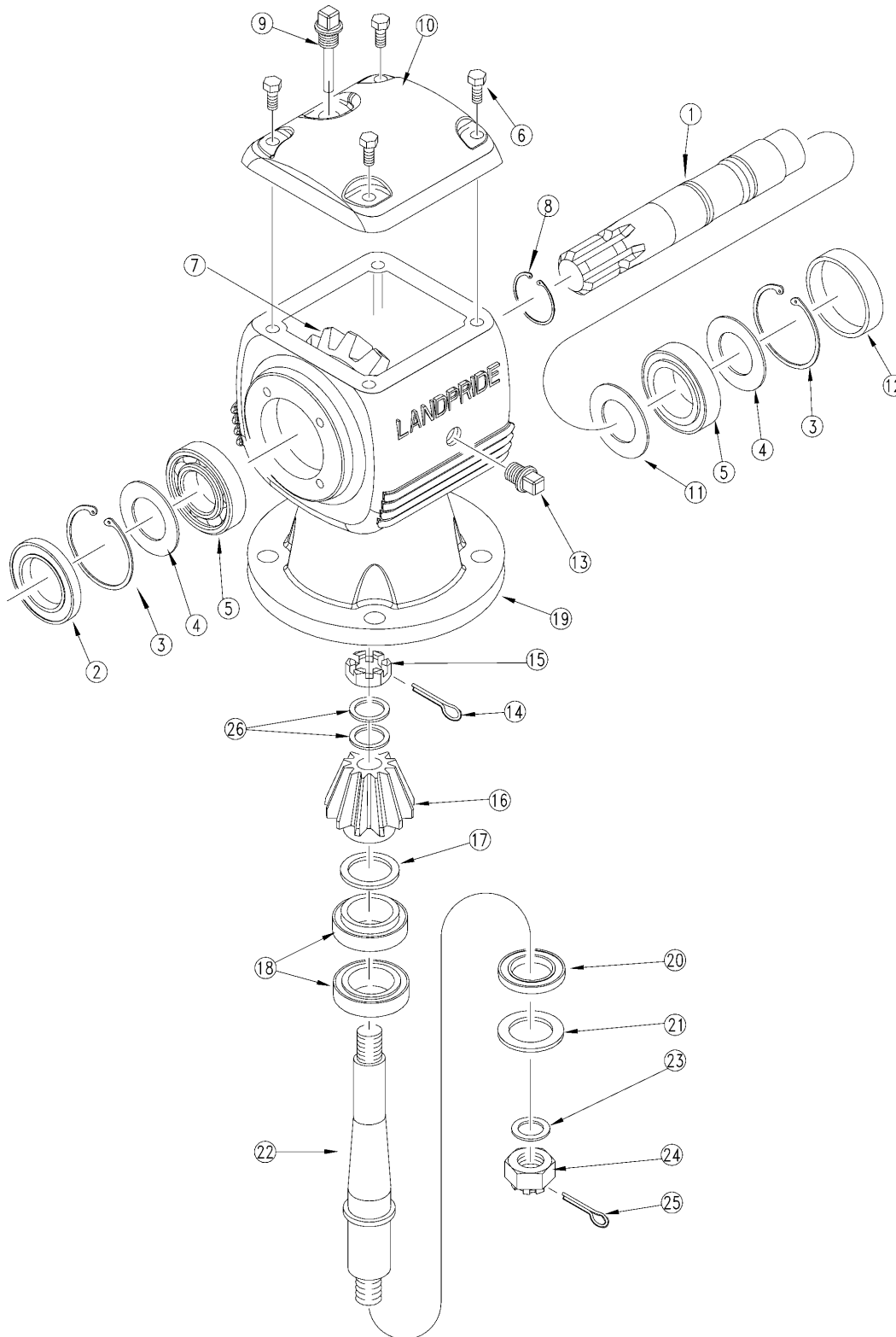
15739

Gearbox (826-038C) OMNI**Applies to RCR2584, RCR2684**

Ref	Part No.	Part Description	Comments	Revision
	dwg15739	Drawing Image Number		
	826-038C	GEARBOX RC71SS 1:1.21 INCREASE		
1.	020162	OMNI INPUT CAP		
2.	070142	OMNI GASKET 0.10MM		
3.	070141	OMNI GASKET 0.15MM		
4.	070140	OMNI GASKET 0.30MM		
5.	050013	OMNI BEARING CUP - LM 603014		
6.	050012	OMNI BEARING CONE -LM603049		
7.	040135	OMNI INPUT SHAFT		
8.	030040	INPUT GEAR - 17 T., OMNI		
9.	200003	OMNI RETAINING RING		
10.	010160	OMNI HOUSING RC71SS	(S/N 191030+) Square Housing	Rev. 2 not compat. w/Rev. 1
10.	010112	OMNI HOUSING	(S/N 191029-) Round Housing	Rev. 1
11.	140033	OMNI PLUG VENT 1/2-14 NPTF		
12.	140017	OMNI PLUG PIPE SQ HD1/8-27NPTF		
13.	030041	OUTPUT PINION - 14 T., OMNI		
14.	090073	OMNI SHIM .25		
15.	050008	OMNI BEARING CONE - 368		
16.	050014	BEARING CUP - 362A, OMNI	(S/N 107994+)	Rev. 2 not compat. w/Rev. 1
16.	050015	BEARING CUP - 362, OMNI	(S/N 107993-)	Rev. 1
17.	040112	OUTPUT SHAFT, OMNI		
18.	070145	OMNI GASKET 0.10MM		
19.	070144	OMNI GASKET 0.15MM		
20.	070143	OMNI GASKET 0.30MM		
21.	060004	OMNI OUTPUT SEAL		
22.	020005	OMNI OUTPUT CAP		
23.	090015	SPACER, OMNI		
24.	803-095C	NUT HEX SLOTTED 1-14		
25.	805-017C	PIN COTTER 3/16 X 1 3/4 PLT		
26.	802-091C	HHCS 1/2-13X1 1/2 GR5		
27.	804-015C	WASHER LOCK SPRING 1/2 PLT		
28.	802-079C	HHCS 3/8-16X1 1/4 GR5		
29.	804-013C	WASHER LOCK SPRING 3/8 PLT		
30.	060005	INPUT SEAL, OMNI		
31.	050015	BEARING CUP - 362, OMNI		
32.	804-070C	FLAT WASHER 1 SPECIAL		

Gearbox (826-377C) Comer

Applies to RCR2584, RCR2684



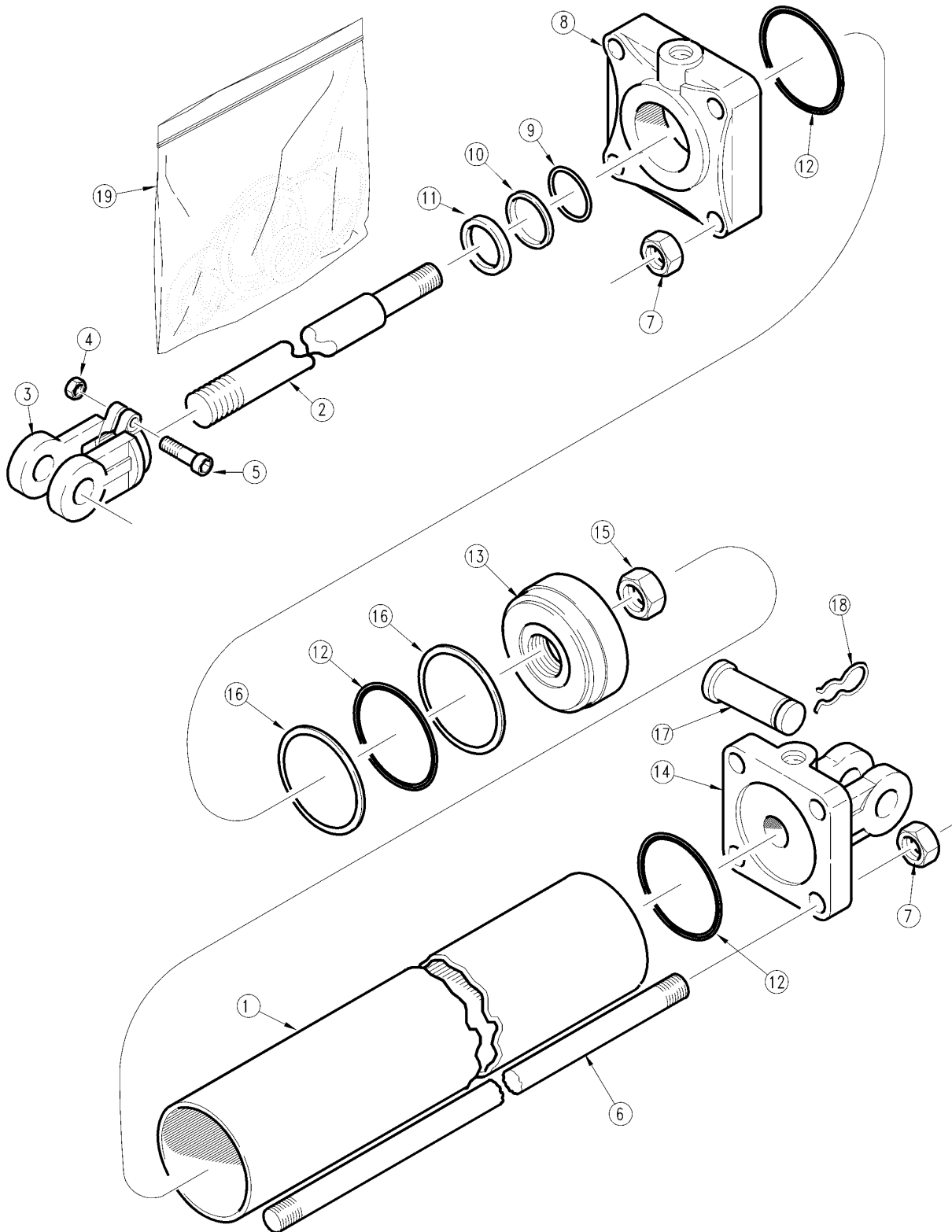
26957

Gearbox (826-377C) Comer**Applies to RCR2584, RCR2684**

Ref	Part No.	Part Description	Comments	Revision
	dwg26957 826-377C	Drawing Image Number GBOX RC25 1.38-6 1:1.21 STD. *		
1.	0.210.2000.00	CO INPUT SHAFT 1.38-6		
2.	8.7.3.00331	CO OIL SEAL 45 X 85 X 10		
3.	8.5.2.00332	CO SNAP RING UNI 7437		
4.	0.709.7500.00	CO SHIM 84.7		
5.	8.0.9.00143	CO BEARING 30209 RTA25		
6.	8.1.1.00501	CO BOLT M8X22 HHB		
7.	0.210.6000.00	CO GEAR CROWN Z22 M6		
8.	8.5.1.00533	CO SNAP RING 50 UNI7435		
9.	826-490C	CO 3/8 GAS OIL VENT LEVEL PG.		
10.	0.210.1300.00	CO COVER		
11.	0.252.7525.00	CO SHIM 45.3X2.5		
12.	0.121.7101.00	CO CAP		
13.	8.6.6.00201	CO PLUG 3/8 GAS		
14.	8.4.7.02265	CO COTTER PIN B 5X60		
15.	0.132.7107.00	CO NUT M40X1.5		
16.	0.210.5000.00	CO PINION Z18 M6		
17.	0.712.7500.00	CO SHIM 50.3X70.3		
18.	04-011	ITG BEARING ASSEMBLY		Rev. 2
18.	8.0.9.00469	REP BY 04-011		Rev 1; Use up stock
19.	0.210.0300.00	CO CASTING & MACHINE		
20.	8.7.1.01107	CO SEAL (50x90x10)		
21.	0.139.7100.00	CO SEAL RETAINER		
22.	0.210.3000.00	CO OUTPUT SHAFT		
23.	0.139.7101.00	CO BLANK WASHER		
24.	8.2.2.00555	CO NUT, CASTLE M30 X 2		
25.	8.4.7.00146	CO COTTER PIN B6 X 60		
26.	0.285.7510.00	CO SHIM 40.3 X 61.7 X 1		

Hydraulic Cylinder (810-200C) Midway

Applies to RCR2584, RCR2684



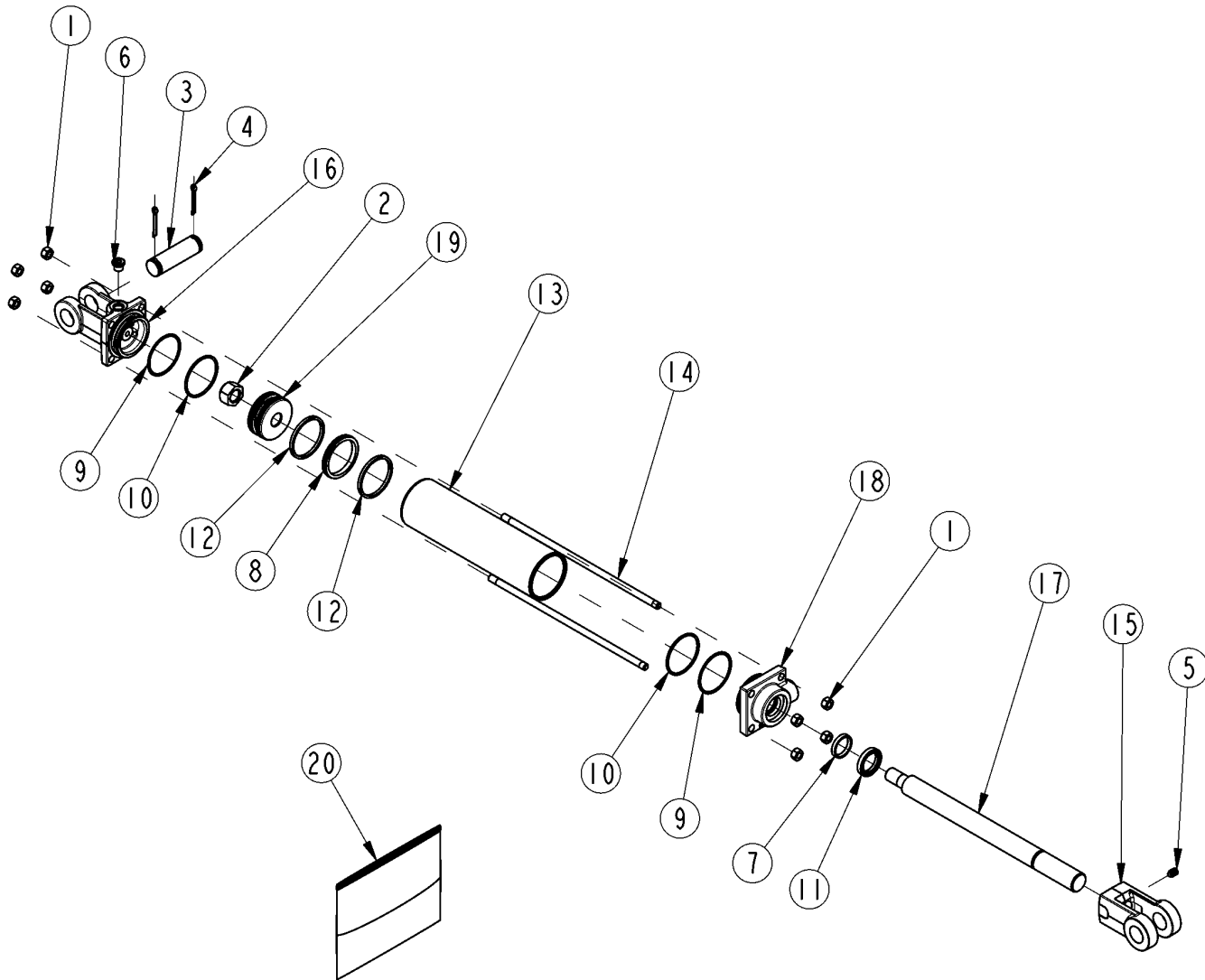
10219

Hydraulic Cylinder (810-200C) Midway**Applies to RCR2584, RCR2684**

Ref	Part No.	Part Description	Comments	Revision
	dwg10219	Drawing Image Number		
	810-200C	CYL 2.5X8X1.12 ROD (TIE)1 PIN		
1.	5M3116	MW TUBE 2-1/2 X 8 X 1-1/8 ROD		
2.	2M3316	MW ROD		
3.	1M6006	MW ROD CLEVIS		
4.	2A0012	MW NUT CLEVIS & TIE ROD		
5.	2A0006	MW CAPSCREW		
6.	7M3316	MW TIE ROD		
7.	2A0012	MW NUT CLEVIS & TIE ROD		
8.	3M3310	MW HEAD		
9.		O-RING	Only found in seal kit item 19	
10.		BACK-UP	Only found in seal kit item 19	
11.		WIPER SEAL	Only found in seal kit item 19	
12.		O-RING	Only found in seal kit item 19	
13.	4M3102	MW PISTON 2 1/2 CYL		
14.	6M3126	MW BASE		
15.	2A0022	MW NUT, PISTON		
16.		BACK-UP	Only found in seal kit item 19	
17.	2A0208	MW CLEVIS PIN		
18.	2A0132	MW PIN CLIP		
19.	810-210C	SEAL KIT MW 2.5 CYL 3A3102		Rev. 2
19.	3A3102	RPBY 810-210C		Rev 1; Use up stock

Hydraulic Cylinder (810-200C) Red Lion

Applies to RCR2584, RCR2684



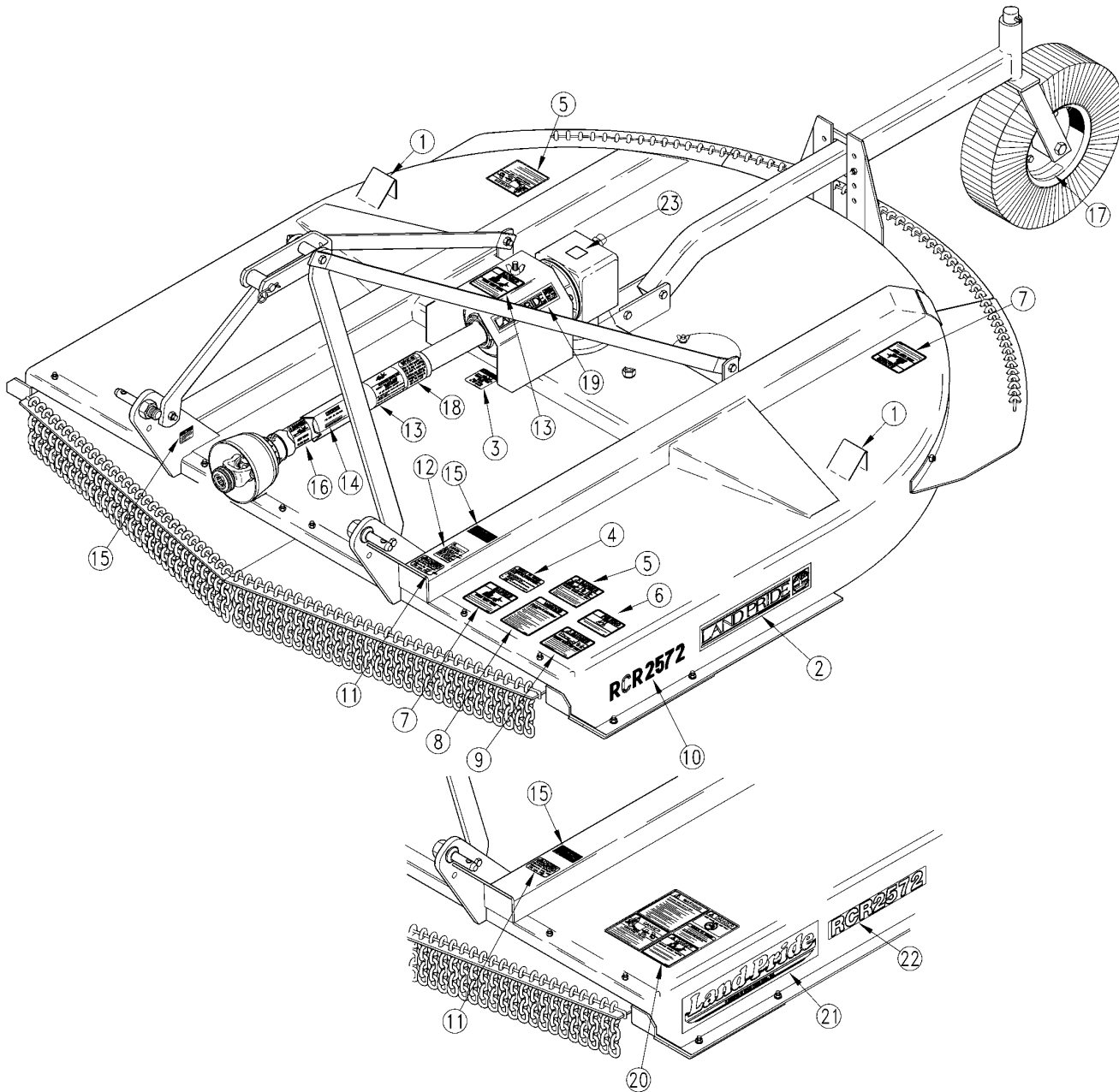
25901

Hydraulic Cylinder (810-200C) Red Lion**Applies to RCR2584, RCR2684**

Ref	Part No.	Part Description	Comments	Revision
	dwg25901	Drawing Image Number		
	810-200C	CYL 2.5X8X1.12 ROD (TIE)1 PIN *		
1.	803-014C	NUT HEX 3/8-16 PLT		
2.	130556	MON PISTON NUT		
3.	134953	LION PIN		
4.	135995	MON CLEVIS PIN COTTER		
5.	801-023C	SCREW SET SH 3/8-16X3/8 TYPE C		
6.	186561	PLUG 9/16-18UNF MORB SOCKET HD		
7.	N/A	MON ROD SEAL	Only Found in Kit #20	
8.	N/A	MON PISTON SEAL	Only Found in Kit #20	
9.	N/A	MON END CAP BACKUP WASHERS	Only Found in Kit #20	
10.	N/A	MON END CAP O-RING	Only Found in Kit #20	
11.	N/A	LION WIPER SEAL	Only Found in Kit #20	
12.	N/A	MON PISTON WEAR RING	Only Found in Kit #20	
13.	491668	LION CYL. TUBE 2.5 X 8		
14.	492218	LION TIE ROD 3/8, 8 CYL		
15.	492650	LION ROD CLEVIS 1 1/8-12UNF		
16.	492688	LION CLEVIS CAP 2.5, 9/16 ORB		
17.	492699	LION ROD 1.125 ASAE 8		
18.	492711	LION ROD CAP 2.5X1.125-9/16ORB		
19.	494768	MON PISTON		
20.	645004	MON SEALS REPAIR KIT		

Label Placement

Applies to RCR2560, RCR2572

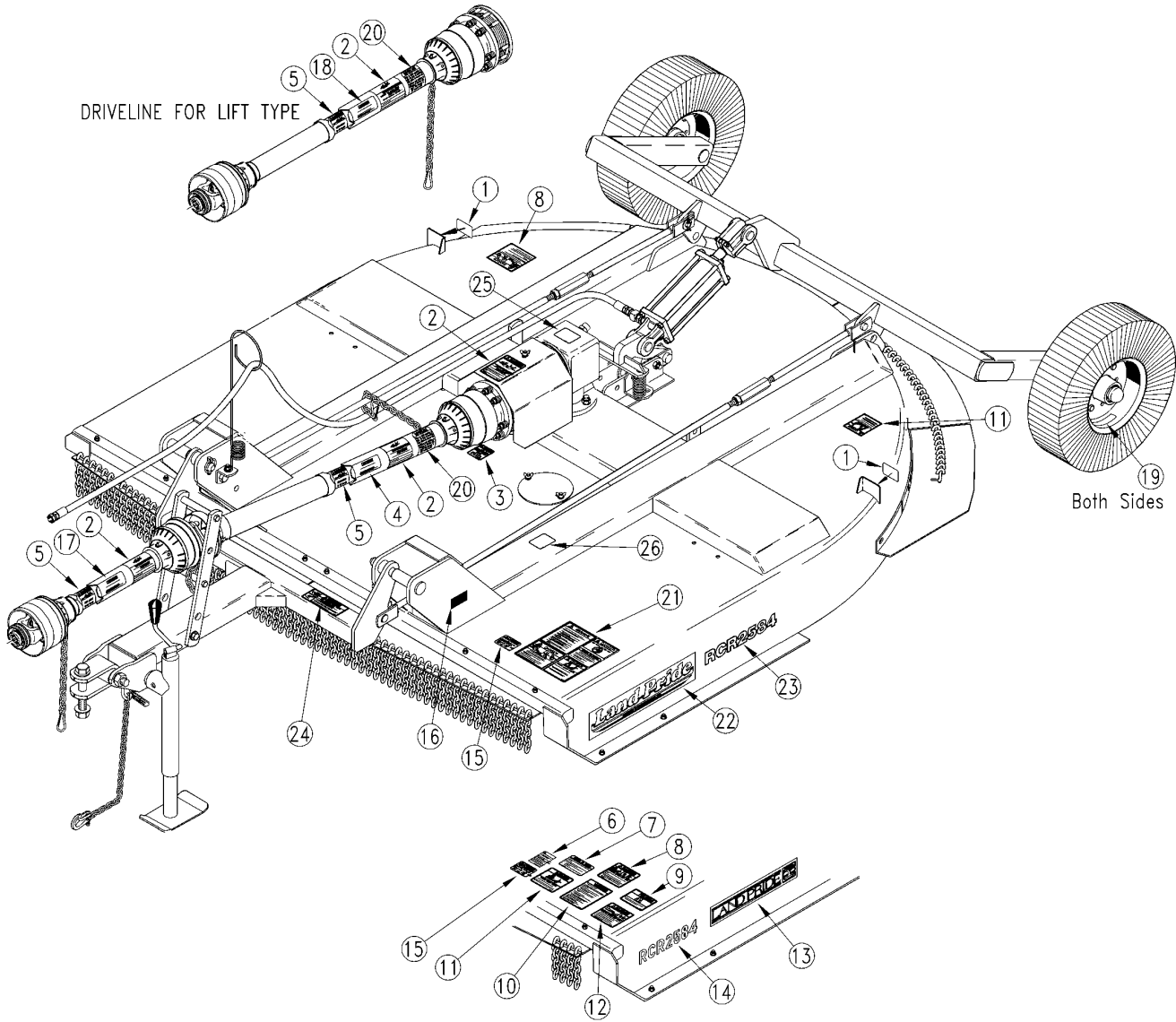


Label Placement**Applies to RCR2560, RCR2572**

Ref	Part No.	Part Description	Comments	Revision
	dwg17560	Drawing Image Number		
	312-413A	RCR25 SERIES SAFETY DECAL PKG		
	312-417A	RCR2572 DECAL PACKAGE		
	312-474A	RCR2560 DECAL PACKAGE		
1.	818-230C	DECAL RED REFLECTOR		
2.	818-162C	LP LOGO LARGE GREEN	(S/N 259099+-)	
3.	818-187C	DECAL DANGER DRIVELINE SHIELD		Rev 1; Use up stock
4.	818-560C	DECAL NOTICE TO OWNER-NO WARRA		Rev. 2
4.	818-559C	RPBY 818-560C		
5.	818-564C	DECAL RC OSHA AG CHAIN GUARD		
6.	818-557C	DECAL DANGER CANNOT READ ENG		
7.	818-556C	DECAL DANGER THROWN OBJ CUTTER		
8.	818-554C	DECAL WARNING GEN SAFE CUTTER		
9.	818-555C	DECAL DANGER ROTATE BLADE		
10.	818-536C	DECAL RCR2572 -BLACK LP	(S/N 259099-)	
10.	818-563C	DECAL RCR2560-BLACK LP	(S/N 259099-)	
11.	818-130C	DECAL CAUTION 540 RPM		
12.	818-161C	DECAL CAUTION GENERAL RC SAFE		
13.	818-142C	DECAL DANGER PTO DRIVELINE EN		Rev. 2
13.	818-552C	DECAL DANGER PTO DRIVELINE		Rev 1; Use up stock
14.	818-538C	DECAL PTO 826-146C		
15.	818-190C	DECAL FLAG		
16.	818-540C	DECAL DANGER GUARD MISS PTO		
17.	818-681C	DECAL NOTICE - 20 MPH MAX		
18.	818-680C	DECAL IMPORTANT - SLIP CLUTCH	(S/N 211783+)	
19.	818-165C	LP LOGO SMALL BUCKSKIN		
20.	818-830C	DECAL SAFETY COMBO SUNWEST	(S/N 225758+)	
21.	818-903C	DECAL LANDPRIDE 19" - BROWN	(S/N 259100+)	
22.	818-926C	DECAL RCR2560-BROWN	(S/N 259100+)	
22.	818-927C	DECAL RCR2572-BROWN	(S/N 259100+)	
23.	818-862C	DECAL 5 YEAR GEARBOX WARRANTY		

Label Placement

Applies to RCR2584, RCR2684



17559

Label Placement**Applies to RCR2584, RCR2684**

Ref	Part No.	Part Description	Comments	Revision
	dwg17559	Drawing Image Number		
	312-476A	RCR2584 DECAL PACKAGE		
	312-878A	RCR2684 DECAL PACKAGE		
		*		
1.	818-230C	DECAL RED REFLECTOR		
2.	818-142C	DECAL DANGER PTO DRIVELINE EN		Rev. 2
2.	818-552C	DECAL DANGER PTO DRIVELINE		Rev 1; Use up stock
3.	818-543C	DECAL DANGER PD GUARD MISS SML		
4.	818-612C	DECAL PTO 826-152C		
5.	818-540C	DECAL DANGER GUARD MISS PTO		
6.	818-161C	DECAL CAUTION GENERAL RC SAFE		
7.	818-560C	DECAL NOTICE TO OWNER-NO WARRA		Rev. 2
7.	818-559C	RPBY 818-560C		Rev 1; Use up stock
8.	818-564C	DECAL RC OSHA AG CHAIN GUARD		
9.	818-557C	DECAL DANGER CANNOT READ ENG		
10.	818-554C	DECAL WARNING GEN SAFE CUTTER		
11.	818-556C	DECAL DANGER THROWN OBJ CUTTER		
12.	818-555C	DECAL DANGER ROTATE BLADE		
13.	818-162C	LP LOGO LARGE GREEN	(S/N 255403-)	
14.	818-600C	DECAL RCR2584	(S/N 255403-)	
15.	818-130C	DECAL CAUTION 540 RPM		
16.	818-190C	DECAL FLAG		
17.	818-611C	DECAL PTO 826-151C		
18.	818-610C	DECAL PTO 826-150C		
19.	818-681C	DECAL NOTICE - 20 MPH MAX		
20.	818-680C	DECAL IMPORTANT - SLIP CLUTCH	(S/N 211783+)	
21.	818-830C	DECAL SAFETY COMBO SUNWEST	(S/N 225758+)	
22.	818-903C	DECAL LANDPRIDE 19" - BROWN	(S/N 255404+) Beige Unit	
22.	838-965C	DECAL LANDPRIDE 16" BROWN/GOLD	Orange Unit	
23.	818-928C	DECAL RCR2584-BROWN	(S/N 255404+)	
23.	838-512C	DECAL RCR2684-BROWN	Beige Unit	
23.	838-512C	DECAL RCR2684-GOLD	Orange Unit	
24.	838-094C	DECAL WARNING HYD PRESS LONG	(S/N 264391+)	
25.	818-862C	DECAL 5 YEAR GEARBOX WARRANTY	3-Point Mount	
26.	838-517C	DECAL QUICK HITCH SYSTEM		



Part Number Index

The Part Number Index is a numeric index of all part numbers included in this manual. The index shows what page(s) the part is used on.

Part Number	Page	Part Number	Page	Part Number	Page	Part Number	Page
0.121.7101.00	81	1004225	49, 51, 57, 59,	1874086	67	312-421H	35
0.132.7107.00	81		65, 67	1874094	63	312-422H	17
0.139.7100.00	81	1004227	51, 53, 55, 67	1875027	59	312-423H	35
0.139.7101.00	15, 81	1006017	59	1875066	55	312-424H	27
0.210.0300.00	81	1006020	49, 51, 53, 55,	1875076	51	312-425H	27
0.210.1300.00	81		57, 59, 61, 63,	1875086	67	312-426H	27
0.210.2000.00	81		65, 67	1875094	63	312-427H	27
0.210.3000.00	81	1006065	53	1876030D	57	312-428H	27
0.210.5000.00	81	1016010	49, 51, 53, 57,	1876064	53	312-429H	27
0.210.6000.00	81		59, 65, 67	1876074	49	312-430H	33
0.252.7525.00	81	1016012	49, 51, 53, 55,	1876084	65	312-431H	31
0.285.7510.00	81		57, 59, 65, 67	1876092	61	312-432H	31
0.709.7500.00	81	11-008	73	1877064	53	312-435A	37
0.712.7500.00	81	1116010	57, 59	1877074	49	312-436A	45
010112	75, 77, 79	1138007	69, 71	1877084	65	312-474A	87
010160	77, 79	1138008	69, 71	1877092	61	312-476A	89
02-053	73	1140001	53	1885702	49, 53, 61, 65	312-481A	43
02-054	73	1140003	53	1885703	49, 53, 57, 65	312-482A	43
020005	75, 77, 79	12-003	73	1885704	57	312-483A	39
020162	75, 77, 79	1215012	69, 71	1885705	61	312-484H	43
03-060	73	1215733	49, 53, 57, 61, 65	1885709	49, 53, 57, 61, 65	312-485H	43
03-061	73	1215735	49, 53, 57, 61, 65	1886010	59, 67	312-486L	43
030038	77	122-076D	11	1886011	63, 67	312-487L	43
030039	77	130556	85	1886012	51, 55, 63, 67	312-488H	43
030040	75, 79	1341270	69, 71	1886013	51, 55, 59, 67	312-489L	43
030041	75, 79	134953	85	1886014	59	312-490H	39
04-007	73	135995	85	1886321	63	312-491H	39
04-008	73	140017	75, 77, 79	1896097N327	61	312-492L	39
04-009	73	140033	75, 77, 79	1896099	63	312-493L	39
04-010	73	1421010	69, 71	1M6006	83	312-602D	11, 15
04-011	81	1466030	49, 51, 53, 55,	20-025	73	312-602D82	15
040112	75, 77, 79		61, 63, 65, 67,	20-026	73	312-607D	11
040135	75, 77, 79		69, 71	200-001D	27	312-608D	11
044321	49, 51, 53, 55,	1526074	53, 55	200003	75, 77, 79	312-609D	11
	57, 59, 61, 63,	1526084	49, 51	21-001	73	312-610D	11
	65, 67	1526094	65, 67	2A0006	83	312-611D	11, 15
05-003	73	1526098	61	2A0012	83	312-614D	29, 33
05-014	73	1528040D	57	2A0022	83	312-615D	29, 33
050008	75, 77, 79	1528074	53, 55	2A0132	83	312-616D	29, 33
050012	75, 77, 79	1528084	49, 51	2A0208	83	312-620D	41
050013	75, 77, 79	1528094	65, 67	2M3316	83	312-621D	47
050014	75, 77, 79	1528101	63	300-236D	15, 35	312-622D	47
050015	75, 77, 79	1528303	59	300-312D	19, 21	312-623D	47
06-017	73	1546040	59	312-062H	7, 9	312-624D	41, 47
06-018	73	17-001	73	312-071A	7	312-625D	47
060004	75, 77, 79	17-002	73	312-077H	29, 31, 33	312-629D	29
060005	75, 77, 79	17-003	73	312-089D	11, 15	312-639K	41
07-001	73	1705009	69, 71	312-106D	27, 29, 31, 33	312-640K	47
07-010	73	1706027	49, 51, 53, 55,	312-123D	29, 31, 33	312-641K	47
07-022	73		57, 59, 63, 65, 67	312-124D	29, 31, 33	312-642K	47
070140	75, 77, 79	1706029	49, 51, 53, 55,	312-131K	29, 31, 33	312-643K	41
070141	75, 77, 79		61, 65, 67	312-136D	7, 9	312-644K	47
070142	75, 77, 79	1706033	69, 71	312-151S	27	312-645K	47
070143	75, 77, 79	1706570	51	312-386H	11	312-646D	11
070144	75, 77, 79	1708018	69, 71	312-387H	29	312-646K	47
070145	75, 77, 79	1708034	69, 71	312-388H	11	312-647D	11
08-001	73	1776028	59	312-395A	41	312-647K	37
08-002	73	1786008	51, 55, 63, 67	312-396A	47	312-648K	45
08-003	73	1786009	51, 55, 59, 63, 67	312-399H	11, 15	312-649D	41
08-006	73	1786010	51, 55, 59	312-400H	11, 15	312-649K	45
08-007	73	1786011	51, 55, 59	312-402H	11	312-650D	47
09-011	73	1786028	59	312-403H	29	312-650K	45
090015	79	1786710	49, 53, 57, 61, 65	312-404H	11	312-651D	47
090055	75, 77	1786711	49, 53, 61, 65	312-409A	41	312-652D	47
090073	75, 77, 79	18-027	73	312-410A	47	312-653D	47
10-027	73	1808010	69, 71	312-413A	87	312-654D	47
1004220	49, 51, 53, 55,	186561	85	312-417A	87	312-655D	41
	57, 59, 65, 67	1874027	59	312-419H	15	312-678D	31
1004224	57, 59	1874066	55	312-419H82	15	312-679D	31
		1874076	51	312-420H	35	312-680D	37

Table of Contents Part Number Index



Part Number Index (continued)

Part Number	Page	Part Number	Page	Part Number	Page	Part Number	Page
312-681D	45	8.2.2.00555	15, 81	803-170C	11, 15	816-263C	43
312-681S	17	8.4.7.00146	81	803-180C	21	816-264C	39
312-682D	45	8.4.7.02265	81	803-181C	21	816-504C	15, 19, 23
312-683D	45	8.5.1.00533	81	803-198C	39, 43	817-050C	11, 15
312-683K	41	8.5.2.00332	81	803-231C	11, 15	817-057C	7, 9
312-684D	23	8.6.6.00201	81	803-237C	27	818-130C	87, 89
312-684K	41	8.7.1.01107	81	803-255C	15, 19, 23	818-142C	87, 89
312-685D	23	8.7.3.00331	81	803-271C	19, 21	818-161C	87, 89
312-685K	37	800-001C	27, 29, 31, 33	803-289C	29, 31, 33	818-162C	87, 89
312-692D	31	800-069C	17	803-299C	11, 15	818-165C	87
312-693D	31	800-080C	29, 31, 33	804-007C	15, 19, 23	818-187C	87
312-694D	23	800-117C	25	804-009C	11, 15	818-190C	87, 89
312-699D	23	800-320C	12, 23	804-010C	12, 15	818-230C	87, 89
312-712D	27	801-023C	85	804-012C	11, 15, 17, 25, 41	818-536C	87
312-714D	17	802-005C	15, 19, 23	804-013C	11, 15, 41, 75, 77, 79	818-538C	87
312-715D	17	802-007C	11, 15	804-015C	27, 29, 31, 33, 47, 75, 77, 79	818-540C	49, 51, 53, 55, 57, 59, 61, 63, 65, 67, 87, 89
312-716D	17	802-015C	17	804-016C	27, 29, 31, 33, 45, 47	818-543C	89
312-720D	27	802-022C	25	804-021C	11, 17, 19, 21, 31, 33	818-552C	49, 51, 53, 55, 57, 59, 61, 63, 65, 67, 87, 89
312-729D	25	802-034C	29	804-022C	11, 17	818-554C	87, 89
312-733D	35	802-041C	31	804-023C	7, 9, 11, 29	818-555C	87, 89
312-734D	45	802-042C	29	804-025C	11, 12, 19, 21, 27	818-556C	87, 89
312-735D	27	802-051C	11, 23	804-027C	21, 23, 35	818-557C	87, 89
312-736D	45	802-053C	11	804-028C	35	818-559C	87, 89
312-737D	37	802-055C	19, 21	804-029C	19, 35	818-560C	87, 89
312-770D	43	802-064C	11, 15, 23	804-036C	11, 15	818-563C	87
312-772D	43	802-065C	11, 15, 19, 27	804-039C	21	818-564C	87, 89
312-774D	39	802-068C	21	804-055C	27	818-600C	89
312-812D	15	802-070C	11	804-063C	29, 31, 33	818-610C	89
312-812D82	15	802-073C	19	804-066C	29, 31, 33	818-611C	89
312-813D	19	802-074C	23	804-070C	11, 15, 75, 77, 79	818-612C	89
312-814D	19	802-079C	75, 77, 79	804-125C	35	818-680C	87, 89
312-818H	15	802-091C	29, 31, 33, 75, 77, 79	804-147C	11, 15	818-681C	29, 31, 33, 87, 89
312-821D	19, 21	802-096C	35	805-004C	25	818-830C	87, 89
312-822D	19	802-098C	21, 35	805-016C	27	818-862C	87, 89
312-829D	19	802-104C	27	805-017C	11, 15, 19, 75, 77, 79	818-903C	87, 89
312-833D	17	802-106C	29, 31, 33, 45, 47	805-043C	29, 31, 33	818-926C	87
312-878A	89	802-146C	17	805-045C	27	818-927C	87
312-879H	31	802-153C	31, 33	805-083C	27	818-928C	89
312-999D	17	802-155C	39, 43	805-088C	23, 25, 27	820-137C	11
326-002D	17	802-159C	11, 15	805-090C	19, 23	820-138C	15
326-114H	15	802-162C	27	805-103C	15, 35	820-193C	11
326-114H82	15	802-184C	7, 9, 19, 25	805-109C	21	820-194C	15
326-193D	21	802-212C	11	805-137C	19	822-091C	27, 29, 31, 33
326-194D	21	802-214C	29, 47	805-142C	11	822-092C	27, 29, 31, 33
326-196D	21	802-240C	27, 29, 31, 33	805-143C	11	822-098C	17
326-204D	15	802-260C	17	805-163C	11	822-099C	17
326-206D	21	802-277C	11, 15	805-187C	27	822-100C	17
326-207D	21	802-280C	29, 31, 33	805-255C	29, 31, 33	826-035C	11, 73, 75, 77
326-208D	21	802-326C	27, 29, 31, 33	807-023C	25	826-038C	15, 79
38/11	12, 15	802-357C	35	807-143C	27	826-146C	12, 49, 51
3A3102	83	802-392C	35	810-200C	25, 83, 85	826-147C	12, 53, 55
3M3310	83	802-440C	37, 39	810-210C	83	826-150C	15, 65, 67
491668	85	802-466C	11, 15	810-242C	25	826-151C	15, 17, 57, 59
492218	85	802-468C	41, 43	811-170C	25	826-152C	15, 17, 61, 63
492650	85	803-013C	11, 15, 17, 25, 41	811-542C	25	826-222C	11, 15
492688	85	803-014C	41, 85	814-058C	29, 31, 33	826-377C	15, 81
492699	85	803-019C	17, 29, 31, 33, 37, 45	814-059C	27	826-377C82	15
492711	85	803-020C	47	814-066C	27	826-490C	81
494768	85	803-021C	11, 17	814-086C	27	827-010C	11
4M3102	83	803-024C	11, 23, 27, 31, 33	814-161C	29, 33	827-036C	29, 31, 33
5M3116	83	803-026C	11, 19, 23, 25, 27, 31, 33, 35	814-162C	29, 31, 33	838-094C	89
6331070	49, 53, 61, 65	803-027C	7, 9, 11, 29	815-091C	27	838-512C	89
6331080	49, 51, 53, 55, 57, 59, 63, 65, 67	803-029C	27	815-093C	27, 29, 31, 33	838-517C	89
645004	85	803-031C	21, 23, 35	815-093C	27, 29, 31, 33	838-965C	89
6560508	57, 61	803-037C	39	816-009C	29, 31, 33	890-118C	35
6M3126	83	803-048C	27	816-098C	27	890-175C	41
7M3316	83	803-095C	11, 15, 75, 77, 79	816-262C	43	890-177C	25
8.0.9.00143	81	803-168C	19				
8.0.9.00469	81						
8.1.1.00501	81						



Part Number Index (continued)

<u>Part Number</u>	<u>Page</u>
890-182C	35
890-341C	45, 47
890-352C	19
890-393C	37
890-583C	29, 31, 33
dwg10219	83
dwg13450	29
dwg13451	41
dwg13452	47
dwg13503	7
dwg13692	69, 71
dwg14031	23
dwg14032	33
dwg14033	31
dwg14034	27
dwg14035	35
dwg14037	25
dwg14038	37
dwg14039	45
dwg14040	17
dwg14120	75
dwg14367	51, 55, 67
dwg14368	59
dwg14369	63
dwg14378	9
dwg15090	73
dwg15739	79
dwg15872	11
dwg15881	15
dwg16173	61
dwg16440	19
dwg16610	57
dwg17559	89
dwg17560	87
dwg18178	43
dwg18179	39
dwg21187	53
dwg21426	49, 65
dwg25901	85
dwg26623	21
dwg26951	77
dwg26957	81
N/A	85

This Page Intentionally Left Blank



Great Plains Manufacturing, Inc.

Corporate Office: P.O. Box 5060
Salina, Kansas 67402-5060 USA

www.landpride.com

Free Manuals Download Website

<http://myh66.com>

<http://usermanuals.us>

<http://www.somanuals.com>

<http://www.4manuals.cc>

<http://www.manual-lib.com>

<http://www.404manual.com>

<http://www.luxmanual.com>

<http://aubethermostatmanual.com>

Golf course search by state

<http://golfingnear.com>

Email search by domain

<http://emailbydomain.com>

Auto manuals search

<http://auto.somanuals.com>

TV manuals search

<http://tv.somanuals.com>