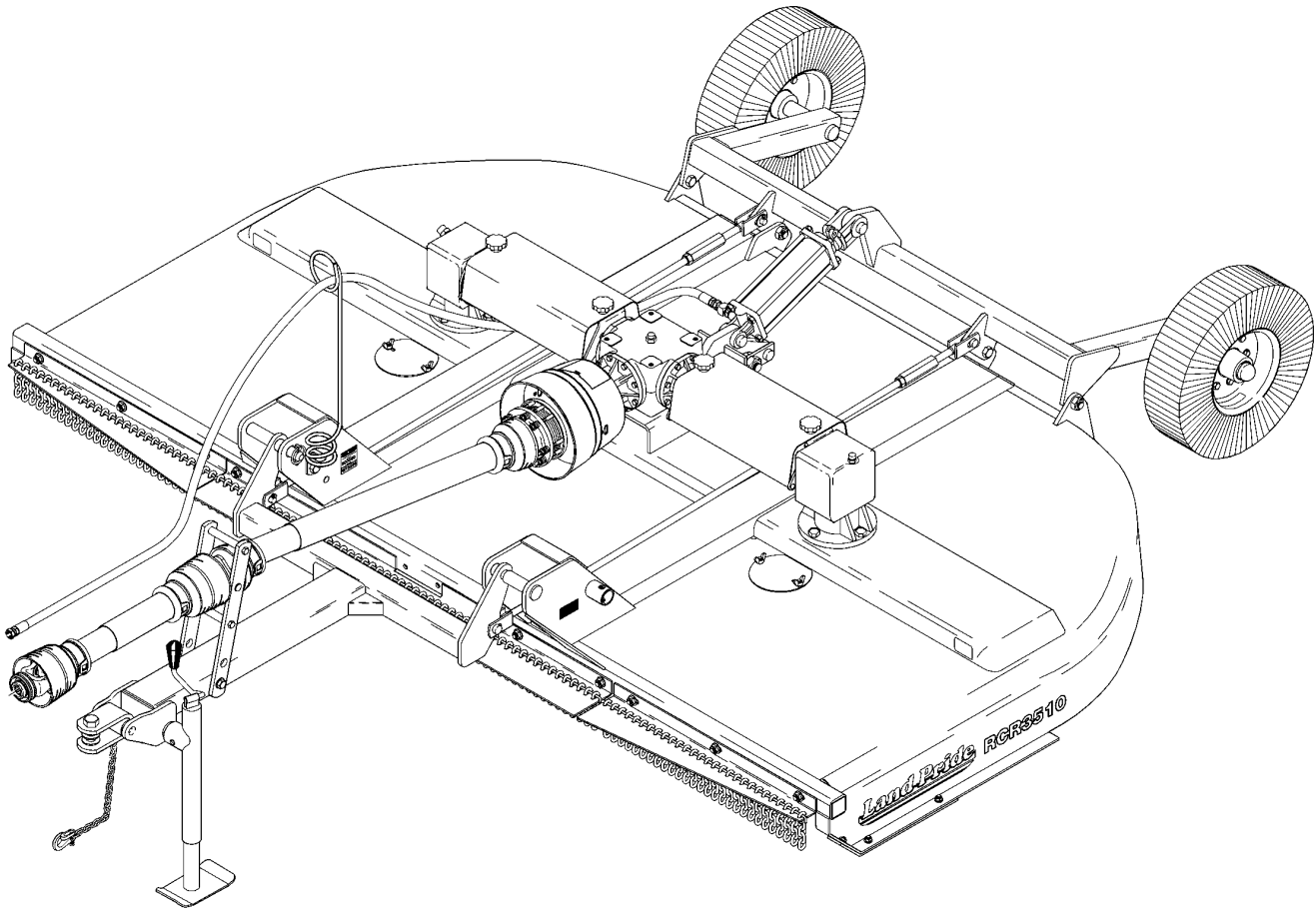


# Rotary Cutter

## RCR3596, RCRM3596, RCR3510 & RCRM3510



15998

### 312-517P Parts Manual



Read the Operator's manual entirely. When you see this symbol, the subsequent instructions and warnings are serious - follow without exception. Your life and the lives of others depend on it!

© Copyright 2008 Printed 04/07/08

Cover photo may show optional equipment not supplied with standard unit.





# Table of Contents

<b>Section 1: Introduction.....</b>	<b>4</b>	Driveline Lift Type Cutter 540 RPM (826-255C)	
Using This Manual.....	4	Eurocardan.....	64
Manual Replacement Information.....	4	Driveline Pull Type Conv. 1000 RPM (826-223C)	
Manual Revisions.....	4	Eurocardan.....	66
Touch-up Paint.....	4	Driveline Slip Clutch (1406028) Eurocarda.....	68
Hardware Legend.....	5	Driveline Slip Clutch (1446016) Eurocardan.....	70
Replacement Hardware.....	5	Driveline Slip Clutch (1446037) Eurocardan.....	72
Serial Numbers.....	5	Driveline Slip Clutch 1000 RPM (1406016) Eurocardan....	74
Part Number Service Coding.....	5	Driveline Slip Clutch 540 RPM (1446016) Eurocardan.....	76
<b>Section 2: Decks.....</b>	<b>6</b>	Driveline Slip Clutch 540 RPM (1446037) Eurocardan.....	78
Axle And Wheels Dual Pull Type Rear.....	6	Driveline Stub Shaft Pull Type 1000 RPM (826-226C)	
Axle And Wheels Pull Type Rear.....	8	Eurocardan.....	80
Axle Semi-Mount Rear.....	10	Driveline Stub Shaft Pull Type 540 RPM (826-225C)	
Check Chain.....	12	Eurocardan.....	82
Deck.....	14	<b>Section 5: Gearboxes.....</b>	<b>84</b>
Driveline And Bearing Support.....	18	Gearbox (826-217C) OMNI.....	84
Driveline And Pillowblock.....	20	Gearbox (826-356C) Comer.....	86
Hydraulic Lift.....	22	Gearbox (826-378C) Comer.....	88
Lift Type 3-Point Hitch.....	24	Gearbox, T-Box 1000 RPM (826-219C) OMNI.....	90
Lift Type Tailwheels.....	26	Gearbox, T-Box 540 RPM (826-218C) OMNI.....	92
Pull Type Tongue.....	28	<b>Section 6: Hydraulics.....</b>	<b>94</b>
<b>Section 3: Guards.....</b>	<b>30</b>	Hydraulic Cylinder (810-200C) Midway.....	94
Guard Chain Double Front.....	30	Hydraulic Cylinder (810-200C) Red Lion.....	96
Guard Chain Double Rear.....	32	<b>Section 7: Labels.....</b>	<b>98</b>
Guards Chain Single.....	34	Label Placement.....	98
Guards Rubber.....	36	<b>Part Number Index.....</b>	<b>101</b>
<b>Section 4: Drivelines.....</b>	<b>38</b>		
Driveline Conv. Fixed Shaft Pull Type 540 RPM (826-151C)			
Eurocardan.....	38		
Driveline CV Pull Type Cutter 1000 RPM (826-063C)			
Walterscheid.....	40		
Driveline CV Pull Type Cutter 540 RPM (826-053C)			
Walterscheid.....	42		
Driveline Flex Coupler (826-214C) Eurocardan (S/N			
384158-).....	44		
Driveline Flex Coupler (826-224C) Eurocardan.....	46		
Driveline Flex Coupler (826-334C) Eurocardan (S/N			
384159+).....	48		
Driveline Jackshaft (1000 RPM) (826-221C) Eurocardan..	50		
Driveline Jackshaft (1000 RPM) (826-259C) Eurcardan...	52		
Driveline Jackshaft (540 RPM) (826-220C) Eurcardan....	54		
Driveline Jackshaft (540 RPM) (826-256C) Eurcardan....	56		
Driveline Lift Type Cutter 1000 RPM (826-216C)			
Eurocardan.....	58		
Driveline Lift Type Cutter 1000 RPM (826-258C)			
Eurocardan.....	60		
Driveline Lift Type Cutter 540 RPM (826-215C)			
Eurocardan.....	62		

© Copyright 2008. All rights reserved.

Land Pride provides this publication "as is" without warranty of any kind, either expressed or implied. While every precaution has been taken in the preparation of this manual, Land Pride assumes no responsibility for errors or omissions. Neither is any liability assumed for damages resulting from the use of the information contained herein. Land Pride reserves the right to revise and improve its products as it sees fit. This publication describes the state of this product at the time of its publication, and may not reflect the product in the future. The illustrations in this manual are not intended for safe and proper assembly or disassembly of equipment. The illustrations are intended for ordering parts only.

Land Pride is registered trademark.

All other brands and product names are trademarks or registered trademarks of their respective holders.

Printed in the United States of America.



# Alphabetized Table of Contents

<b>A</b>	Axle And Wheels Dual Pull Type Rear.....6	Gearbox (826-356C) Comer.....86
	Axle And Wheels Pull Type Rear.....8	Gearbox (826-378C) Comer.....88
	Axle Semi-Mount Rear.....10	Gearbox, T-Box 1000 RPM (826-219C) OMNI.....90
<b>C</b>		Gearbox, T-Box 540 RPM (826-218C) OMNI.....92
	Check Chain.....12	Guard Chain Double Front.....30
<b>D</b>		Guard Chain Double Rear.....32
	Deck.....14	Guards Chain Single.....34
	Driveline And Bearing Support.....18	Guards Rubber.....36
	Driveline And Pillowblock.....20	<b>H</b>
	Driveline Conv. Fixed Shaft Pull Type 540 RPM (826-151C) Eurocardan.....38	Hydraulic Cylinder (810-200C) Midway.....94
	Driveline CV Pull Type Cutter 1000 RPM (826-063C) Walterscheid.....40	Hydraulic Cylinder (810-200C) Red Lion.....96
	Driveline CV Pull Type Cutter 540 RPM (826-053C) Walterscheid.....42	Hydraulic Lift.....22
	Driveline Flex Coupler (826-214C) Eurocardan (S/N 384158-).....44	<b>L</b>
	Driveline Flex Coupler (826-224C) Eurocardan.....46	Label Placement.....98
	Driveline Flex Coupler (826-334C) Eurocardan (S/N 384159+).....48	Lift Type 3-Point Hitch.....24
	Driveline Jackshaft (1000 RPM) (826-221C) Eurocardan.....50	Lift Type Tailwheels.....26
	Driveline Jackshaft (1000 RPM) (826-259C) Eurocardan.....52	<b>P</b>
	Driveline Jackshaft (540 RPM) (826-220C) Eurocardan.....54	Pull Type Tongue.....28
	Driveline Jackshaft (540 RPM) (826-256C) Eurocardan.....56	
	Driveline Lift Type Cutter 1000 RPM (826-216C) Eurocardan.....58	
	Driveline Lift Type Cutter 1000 RPM (826-258C) Eurocardan.....60	
	Driveline Lift Type Cutter 540 RPM (826-215C) Eurocardan.....62	
	Driveline Lift Type Cutter 540 RPM (826-255C) Eurocardan.....64	
	Driveline Pull Type Conv. 1000 RPM (826-223C) Eurocardan.....66	
	Driveline Slip Clutch (1406028) Eurocarda.....68	
	Driveline Slip Clutch (1446016) Eurocardan.....70	
	Driveline Slip Clutch (1446037) Eurocardan.....72	
	Driveline Slip Clutch 1000 RPM (1406016) Eurocardan.....74	
	Driveline Slip Clutch 540 RPM (1446016) Eurocardan.....76	
	Driveline Slip Clutch 540 RPM (1446037) Eurocardan.....78	
	Driveline Stub Shaft Pull Type 1000 RPM (826-226C) Eurocardan.....80	
	Driveline Stub Shaft Pull Type 540 RPM (826-225C) Eurocardan.....82	
<b>G</b>		
	Gearbox (826-217C) OMNI.....84	

# General Information

## Using This Manual

This manual is divided into sections. The first section contains General Information. The remaining sections divide the machine into segments (i.e. Frames, Drives, Hydraulics, etc.) which illustrate and list all parts. A Parts Number Index is located at the back of the book.

The Land Pride parts in this manual are specially designed for this machine and should be replaced with Land Pride parts only.

The information in this manual is current at time of printing. Some parts may change to assure top performance.

Right-hand and left-hand as used in this manual are determined by facing the direction the machine will travel while in use.

Below is an example of two facing pages from a parts manual. Familiarize yourself with the type of information contained on these pages.

## Manual Replacement Information

Replacement manuals are available. Refer to our website at [www.landpride.com](http://www.landpride.com), the Land Pride Support Center CD or e-mail us at [lit@landpride.com](mailto:lit@landpride.com) for additional information. Our website continues to provide the most up-to-date manuals available.

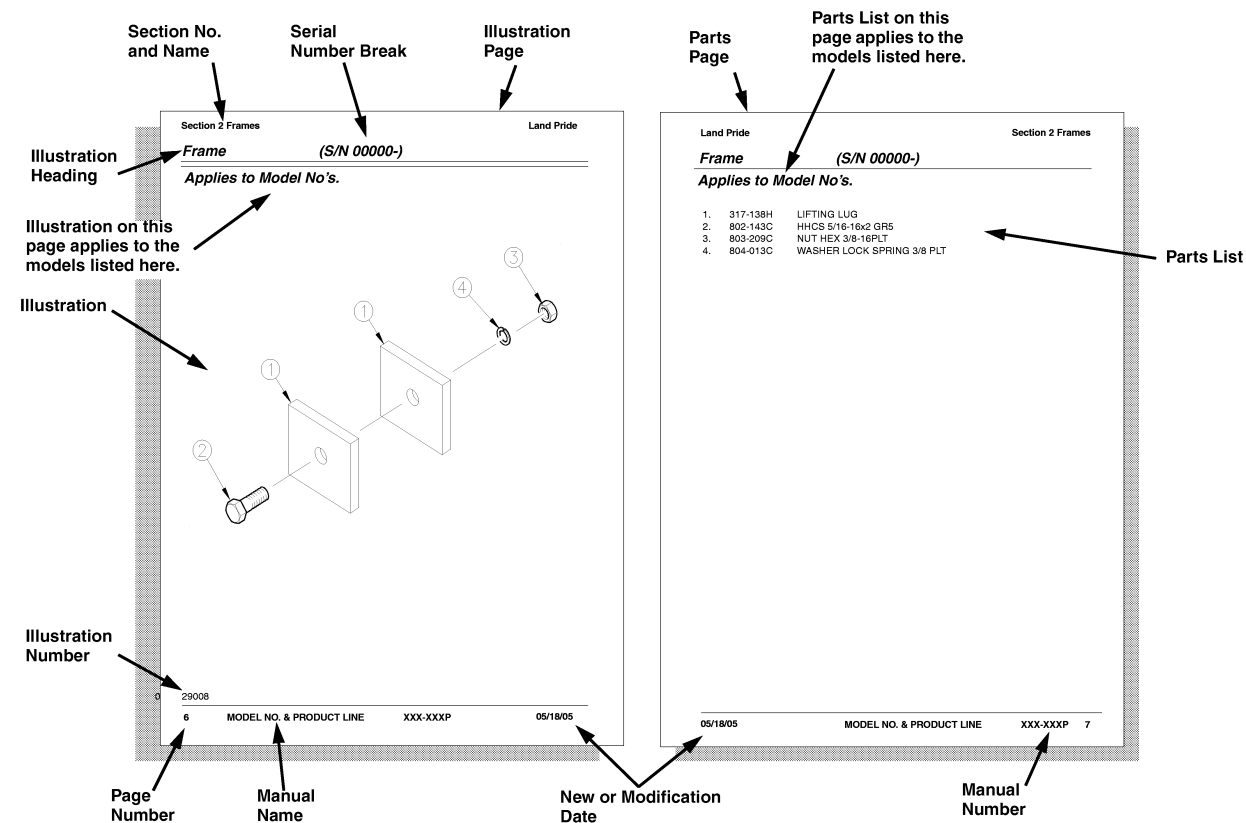
## Touch-up Paint

Repaint parts where paint is worn or scratched to prevent rust. Aerosol cans and touch-up bottles with brush applicator are available through your local dealer. Land Pride color descriptions and part numbers are listed below. Also available are quart and gallon size paints. Add QT or GL to end of the Aerosol P/N.

Color	Product <sup>1</sup>	Aerosol	Touch-Up
Gloss Black	LP	821-032C	821-032CTU
Medium Gloss Black	UV	821-053C	821-053CTU
Beige	LP	821-011C	821-011CTU
Green	SLP	821-058C	821-058CTU
Orange	SLP	821-066C	821-066CTU
Red	SLP/UV	821-054C	821-054CTU
Blue	SLP/UV	821-067C	821-067CTU
Dark Green Sparkle	UV	821-055C	821-055CTU
Gondo Forest Green	UV	821-057C	821-057CTU
Brite Yellow <sup>2</sup>	UV	821-056C	821-056CTU
Gondo Yellow <sup>3</sup>	UV	821-059C	821-059CTU

Notes:

- 1 LP = All Land Pride Products except Utility Vehicles  
SLP = Select Land Pride Products that are available in optional Green, Orange, Red, & Blue colors.  
UV = Utility Vehicles
- 2 Used on Trekers and (Runabouts with S/N 407628-)
- 3 Used on Gondos and (Runabouts with S/N 407629+)



## General Information

### Hardware Legend

<b>AR</b>	As Required
<b>BLADE</b>	Blade Bolt
<b>C</b>	Cap Screw
<b>CP</b>	Cotter Pin
<b>CPHSSS</b>	Cup Point Hex Socket Set Screw
<b>CPSHSS</b>	Cup Point Square Head Set Screw
<b>CPSQHSS</b>	Cup Point Square Head Set Screw
<b>CRFCHMS3</b>	Cross Recess Flat Countersunk Head Machine Screw
<b>CRPHMS</b>	Cross Recess Pan Head Machine Screw
<b>CRPHTF</b>	Cross Recess Pan Head Thread Forming
<b>CRRHMS</b>	Cross Recess Round Head Machine Screw
<b>CRTHMS</b>	Cross Recess Truss Head Machine Screw
<b>CSNB</b>	Countersunk Square Neck Bolt
<b>FHMS</b>	Flat Head Machine Screw
<b>FTC</b>	Full Thread Cap Screw
<b>H</b>	Hex Nut
<b>HCLN</b>	Hex Center Lock Nut
<b>HFLCS</b>	Hex Flange Lock Cap Screw
<b>HFS</b>	Hex Flange Screw
<b>HFSLN</b>	Hex Flange Serrated Lock Nut
<b>HFSS</b>	Hex Flange Serrated Screw
<b>HHCS</b>	Hex Head Cap Screw or Metric Bolt
<b>HSBHCS</b>	Hex Socket Button Head Cap Screw
<b>HSFCHCS</b>	Hex Socket Flat Countersunk Head Cap Screw
<b>HSHCS</b>	Hex Socket Head Cap Screw
<b>HSSS</b>	Hex Socket Head Screw
<b>HTLN</b>	Hex Top Lock Nut
<b>HWHCS</b>	Hex Washer Head Cap Screw

<b>HWHMS</b>	Hex Washer Head Machine Screw
<b>HXBHCS</b>	Hex Socket Button Head Cap Screw
<b>J</b>	Hex Jam Nut
<b>JIC</b>	37 Degree Tapered Thread
<b>L</b>	Helical Spring Lock Washer
<b>LUG</b>	Lug Bolt
<b>NFC</b>	National Fine Cap Screw
<b>NPSM</b>	National Pipe Straight Mechanical
<b>NPTF</b>	National Pipe Taper Fuel
<b>P</b>	Wide Plain Washer
<b>PHMS</b>	Pan Head Machine Screw
<b>PLOW</b>	Plow Bolt
<b>RHMS</b>	Round Head Machine Screw
<b>RHSNB</b>	Round Head Square Neck Bolt
<b>SCREW LEVELING</b>	Leveling Screw
<b>SCREW THUMB</b>	Thumb Screw
<b>SCREW WELD</b>	Weld Screw
<b>SFCHMS</b>	Slotted Flat Countersunk Head Machine Screw
<b>SFHMS</b>	Slotted Fillister Head Machine Screw
<b>SP</b>	Special
<b>SP SCREW</b>	Special Screw
<b>SQHSS</b>	Square Head Set Screw
<b>SRHMS</b>	Slotted Round Head Machine Screw
<b>SSS</b>	Socket Set Screw
<b>STCS</b>	Self Tapping Cap Screw
<b>STHMS</b>	Slotted Truss Head Machine Screw
<b>WHEEL</b>	Wheel Studs and Hub Long Bolts
<b>WING</b>	Wing Bolt

### Replacement Hardware

The **Hardware Legend** above lists hardware abbreviations used in the parts list. All bolts and nuts are Grade 5 unless otherwise noted. The use of improper grades of hardware can result in personal injury, damage to equipment, or loss of property.

### Colored Replacement Parts

Land Pride offers replacement parts in factory standard colors and also on select models in Green, Orange, Red and Blue. Because of the variety of colors available, special attention must be given to the part number to prevent ordering the wrong replacement part.

A suffix number corresponding to one of the colors below must be added at the end of Land Pride's part number when ordering a replacement part with that color.

**81 . . . . . Green      83 . . . . . Red**  
**82 . . . . . Orange    84 . . . . . Blue**

For example, if you are ordering a replacement part with part number 555-555C and the part you need is red, then add the suffix 83 to the end of the number to make the part number read 555-555C83. Parts ordered without a suffix number will be supplied in factory standard colors.

### Black Replacement Parts

Some parts are factory standard black and some must be special ordered black. If your part is special ordered black, a second part number with the additional suffix number 85 on the end will be available. In this situation you must order that part with the suffix number for it to be black. Parts that are factory standard black will not have the suffix number.

### Part Number Service Coding

Within the parts list some part numbers are coded for revisions and interchangeability. See notations in revision column.

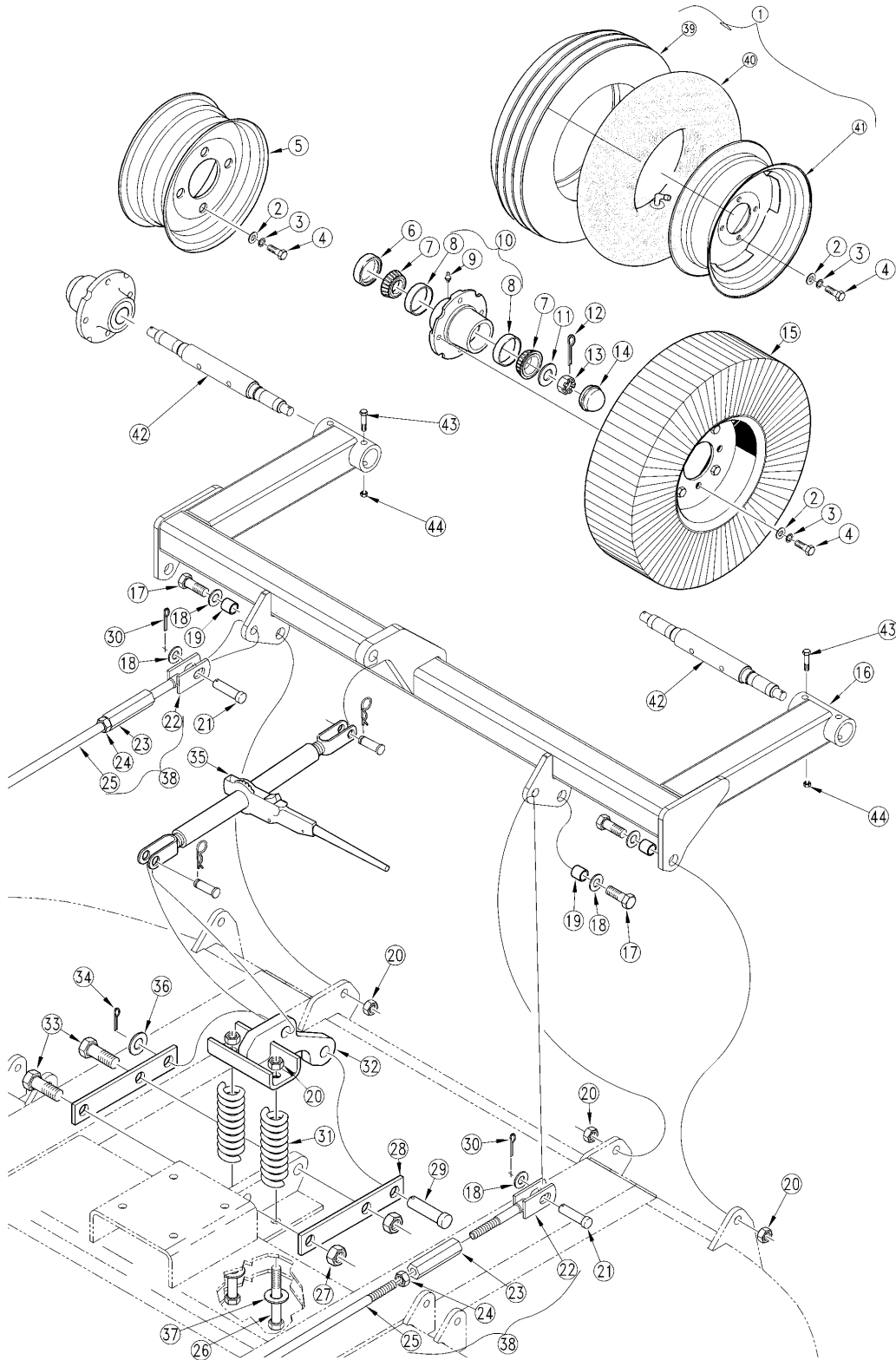
### Serial Numbers

Always use the serial and model number when ordering parts. Refer to the Operator's Manual for serial number plate location.

- (S/N 20001+)                      Includes serial numbers 20001 and above (to the latest number)
- (S/N 10001 to 20000)           Includes serial numbers between and including 10001 and 20000
- (S/N 10000-)                      Includes serial numbers 10000 and below (to the earliest number)

# Axle And Wheels Dual Pull Type Rear

Applies to RCR3510, RCRM3510



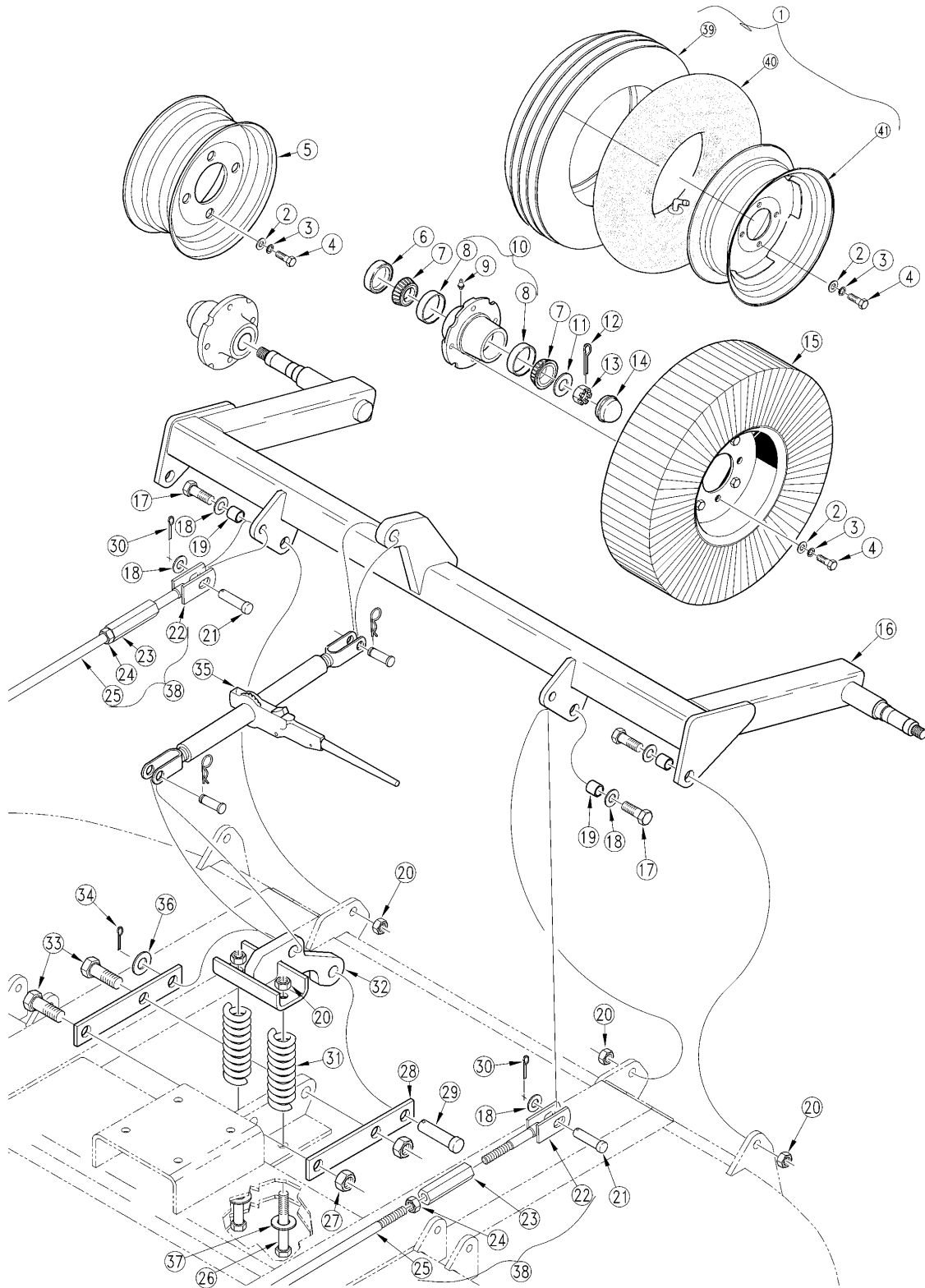
25963

**Axle And Wheels Dual Pull Type Rear****Applies to RCR3510, RCRM3510**

Ref	Part No.	Part Description	Comments	Revision
	dwg15982	Drawing Image Number		
1.	814-263C	AC TIRE 24 X 7.7 2PC	Check Cutter Tire Size Before Ordng	
1.	814-201C	AC TIRE 27x7.75x15 MOUNTED	Check Cutter Tire Size Before Ordng	
1.	814-086C	TIRE 25.5 X 8.0-14 - MOUNTED	Check Cutter Tire Size Before Ordng	
2.	804-016C	WASHER FLAT 1/2 SAE PLT		
3.	804-015C	WASHER LOCK SPRING 1/2 PLT		
4.	802-326C	HHCS 1/2-20X1 1/4 GR5	(S/N 336501+)	Rev. 2
4.	802-240C	HHCS 1/2-20X1 GR5	(S/N 336500-)	Rev 1; Use up stock
5.	814-066C	WHEEL 15 X 5 X 4 BOLT		
6.	816-098C	SEAL 1 3/8 ID X 2.441 OD X.313		
7.	822-091C	BEARING CONE 15123		
8.	822-092C	BEARING CUP 15245		
9.	800-001C	GREASE ZERK STRAIGHT 1/4-28		
10.	815-093C	HUB 4 BOLT WHL W/CUPS & ZERK		
11.	804-055C	WASHER SPINDLE - 7/8		
12.	805-016C	PIN COTTER 3/16 X 1 1/4 PLT		
13.	803-029C	NUT HEX SLOTTED 7/8-14 PLT		
14.	200-001D	HUB GREASE CAP		
15.	814-059C	TIRE & WHEEL LAMINATED 6.0 X 9		
16.	312-805H	AXLE WELDMENT	RCR3510 & RCRM3510	
17.	802-065C	HHCS 3/4-10X2 1/4 GR5		
18.	804-025C	WASHER FLAT 3/4 SAE PLT		
19.	312-712D	TUBE 1 OD X 12 GA X 15/16 LG.		
20.	803-026C	NUT LOCK 3/4-10 PLT		
21.	805-083C	PIN CLEVIS 3/4 X 1 1/2		
22.	318-008H	WLDMT. LEVEL ROD SHORT		
23.	803-265C	NUT HEX COUPLER 7/8-9 x 5		
24.	803-075C	NUT HEX JAM 7/8-9		
25.	312-516H	LONG LEVEL ROD WLDMT	RCR3510 & RCRM3510	
26.	802-360C	HHCS 3/4-10X6 1/2 GR5		
27.	803-168C	NUT HEX TOP LOCK 1-8 PLT		
28.	312-804D	SPRING SHOCK SUPPORT		
29.	805-187C	PIN CLEVIS 1 X 2 1/4 GR5 PLT		
30.	805-045C	PIN COTTER 5/32 X 1 1/4 LG		
31.	807-143C	SPRING COMP 1.88OD x .362W		
32.	312-515H	SPRING SHOCK WLDMT		
33.	802-368C	HHCS 1-8X3 GR5		
34.	805-104C	PIN COTTER 3/16 X 1 1/2 PLT		
35.	890-177C	RATCHET JACK - HEAVY DUT		
36.	804-029C	WASHER FLAT 1 SAE		
37.	804-024C	WASHER FLAT 3/4 USS PLT		
38.	312-549L	ASSY. LEVEL ROD	RCR3510 & RCRM3510	
39.	814-266C	TIRE 24X7.7-14 (814-263C)	Check Cutter Tire Size Before Ordng	
39.	814-203C	TIRE 27X7.75-15 (814-201C)	Check Cutter Tire Size Before Ordng	
39.	814-087C	TIRE 25.5 X 8.0-14 (814-086C)	Check Cutter Tire Size Before Ordng	
40.	814-268C	TUBE FOR 24X7.7-14 (814-263C)	Check Cutter Tire Size Before Ordng	
40.	814-204C	TUBE FOR 27X7.75-15(814-201C)	Check Cutter Tire Size Before Ordng	
40.	814-088C	TUBE FOR 25.5X8.0-14(814-086C)	Check Cutter Tire Size Before Ordng	
41.	814-267C	RIM 2PC. 4BLT 10X6 BLACK	Check Cutter Tire Size Before Ordng	
41.	814-205C	RIM 2PC.4BLT 15X6 BLACK	Check Cutter Tire Size Before Ordng	
41.	814-089C	RIM 2PC.4BLT 14X6BLACK814-086C	Check Cutter Tire Size Before Ordng	
42.	815-109C	SPINDLE - DUAL AXLE BOLT ON		
43.	802-099C	HHCS 1/2-13X3 1/4 GR5		
44.	803-019C	NUT LOCK 1/2-13 PLT		

# Axle And Wheels Pull Type Rear

Applies to RCR3510, RCR3596, RCRM3510, RCRM3596



15982

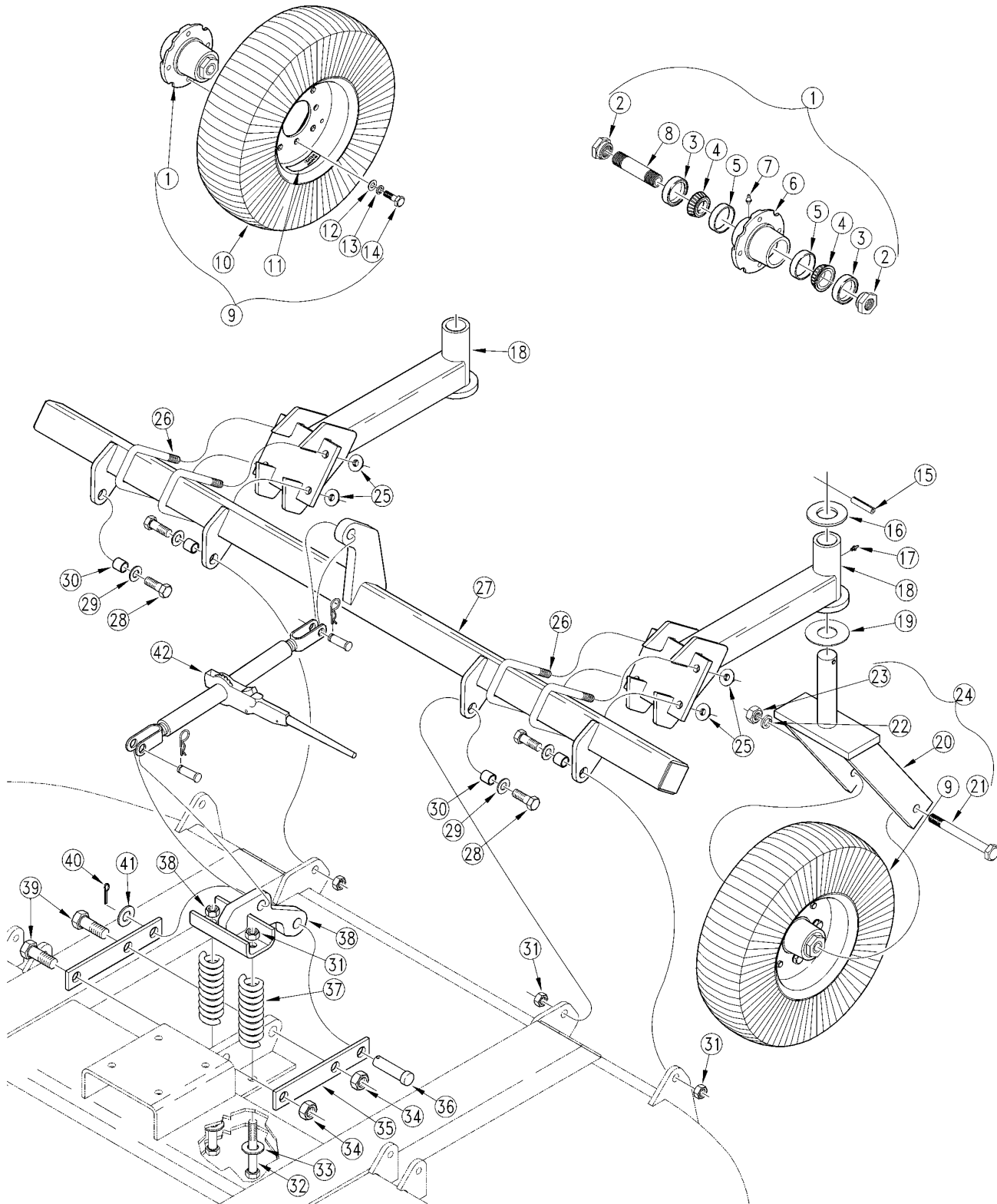


**Axle And Wheels Pull Type Rear****Applies to RCR3510, RCR3596, RCRM3510, RCRM3596**

Ref	Part No.	Part Description	Comments	Revision
	dwg15982	Drawing Image Number		
1.	814-263C	AC TIRE 24 X 7.7 2PC	Check Cutter Tire Size Before Ordng	
1.	814-201C	AC TIRE 27x7.75x15 MOUNTED	Check Cutter Tire Size Before Ordng	
1.	814-086C	TIRE 25.5 X 8.0-14 - MOUNTED	Check Cutter Tire Size Before Ordng	
2.	804-016C	WASHER FLAT 1/2 SAE PLT		
3.	804-015C	WASHER LOCK SPRING 1/2 PLT		
4.	802-326C	HHCS 1/2-20X1 1/4 GR5	(S/N 336501+)	Rev. 2
4.	802-240C	HHCS 1/2-20X1 GR5	(S/N 336500-)	Rev 1; Use up stock
5.	814-066C	WHEEL 15 X 5 X 4 BOLT		
6.	816-098C	SEAL 1 3/8 ID X 2.441 OD X.313		
7.	822-091C	BEARING CONE 15123		
8.	822-092C	BEARING CUP 15245		
9.	800-001C	GREASE ZERK STRAIGHT 1/4-28		
10.	815-093C	HUB 4 BOLT WHL W/CUPS & ZERK		
11.	804-055C	WASHER SPINDLE - 7/8		
12.	805-016C	PIN COTTER 3/16 X 1 1/4 PLT		
13.	803-029C	NUT HEX SLOTTED 7/8-14 PLT		
14.	200-001D	HUB GREASE CAP		
15.	814-059C	TIRE & WHEEL LAMINATED 6.0 X 9		
16.	312-511H	AXLE WELDMENT	RCR3510 & RCRM3510	
16.	312-612H	WLDMT AXLE	RCR3596 & RCRM3596	
17.	802-065C	HHCS 3/4-10X2 1/4 GR5		
18.	804-025C	WASHER FLAT 3/4 SAE PLT		
19.	312-712D	TUBE 1 OD X 12 GA X 15/16 LG.		
20.	803-026C	NUT LOCK 3/4-10 PLT		
21.	805-083C	PIN CLEVIS 3/4 X 1 1/2		
22.	318-008H	WLDMT. LEVEL ROD SHORT		
23.	803-265C	NUT HEX COUPLER 7/8-9 x 5		
24.	803-075C	NUT HEX JAM 7/8-9		
25.	312-516H	LONG LEVEL ROD WLDMT	RCR3510 & RCRM3510	
25.	312-613H	WLDMT LEVEL ROD LONG.	RCR3596 & RCRM3596	
26.	802-360C	HHCS 3/4-10X6 1/2 GR5		
27.	803-168C	NUT HEX TOP LOCK 1-8 PLT		
28.	312-804D	SPRING SHOCK SUPPORT		
29.	805-187C	PIN CLEVIS 1 X 2 1/4 GR5 PLT		
30.	805-045C	PIN COTTER 5/32 X 1 1/4 LG		
31.	807-143C	SPRING COMP 1.88OD x .362W		
32.	312-515H	SPRING SHOCK WLDMT		
33.	802-368C	HHCS 1-8X3 GR5		
34.	805-104C	PIN COTTER 3/16 X 1 1/2 PLT		
35.	890-177C	RATCHET JACK - HEAVY DUT		
36.	804-029C	WASHER FLAT 1 SAE		
37.	804-024C	WASHER FLAT 3/4 USS PLT		
38.	312-549L	ASSY. LEVEL ROD	RCR3510 & RCRM3510	
38.	312-629L	ASSY. LEVEL ROD	RCR3596 & RCRM3596	
39.	814-266C	TIRE 24X7.7-14 (814-263C)	Check Cutter Tire Size Before Ordng	
39.	814-203C	TIRE 27X7.75-15 (814-201C)	Check Cutter Tire Size Before Ordng	
39.	814-087C	TIRE 25.5 X 8.0-14 (814-086C)	Check Cutter Tire Size Before Ordng	
40.	814-268C	TUBE FOR 24X7.7-14 (814-263C)	Check Cutter Tire Size Before Ordng	
40.	814-204C	TUBE FOR 27X7.75-15(814-201C)	Check Cutter Tire Size Before Ordng	
40.	814-088C	TUBE FOR 25.5X8.0-14(814-086C)	Check Cutter Tire Size Before Ordng	
41.	814-267C	RIM 2PC. 4BLT 10X6 BLACK	Check Cutter Tire Size Before Ordng	
41.	814-205C	RIM 2PC.4BLT 15X6 BLACK	Check Cutter Tire Size Before Ordng	
41.	814-089C	RIM 2PC.4BLT 14X6BLACK814-086C	Check Cutter Tire Size Before Ordng	

# Axle Semi-Mount Rear

Applies to RCR3510, RCR3596, RCRM3510, RCRM3596



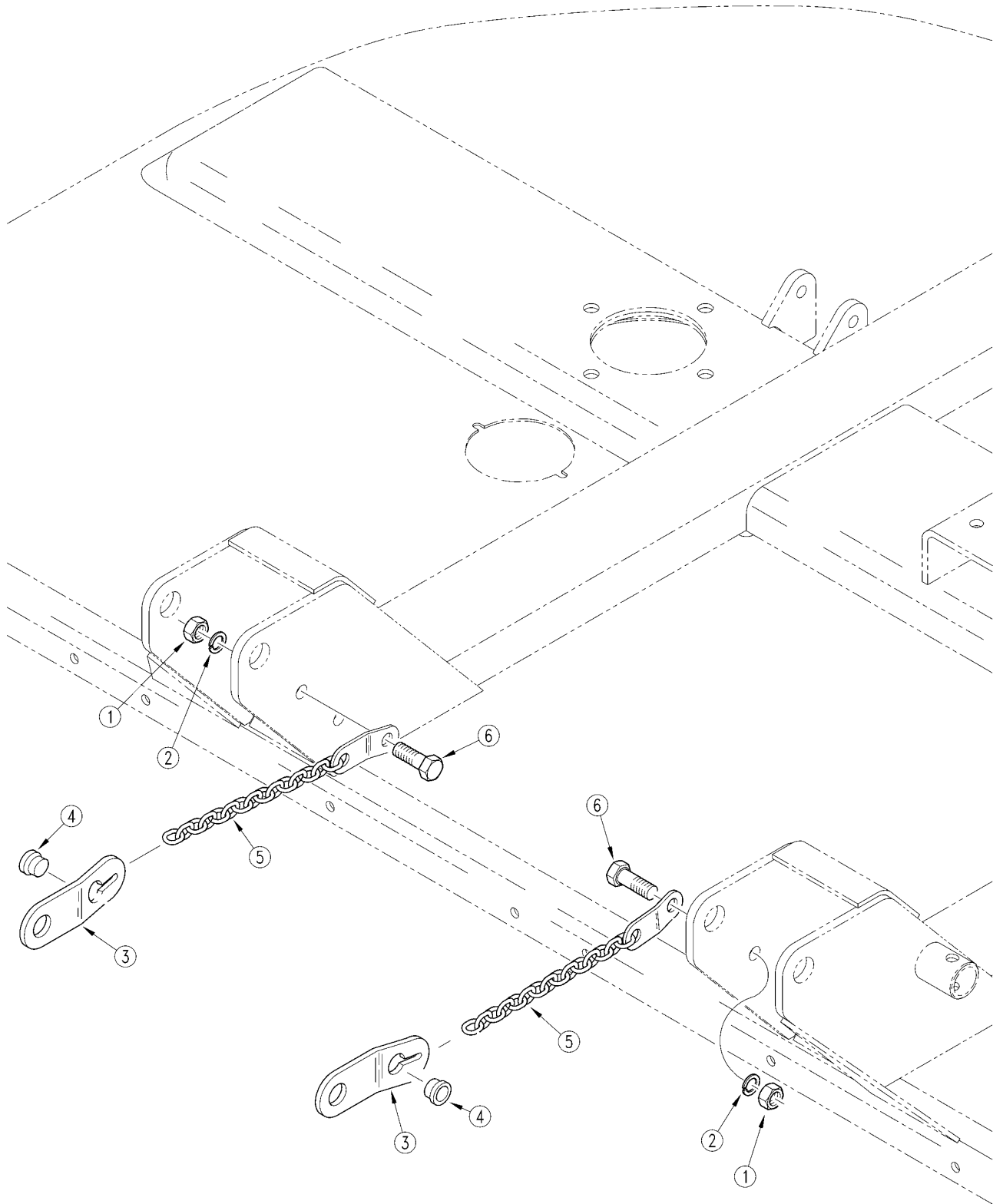
16562

**Axle Semi-Mount Rear****Applies to RCR3510, RCR3596, RCRM3510, RCRM3596**

Ref	Part No.	Part Description	Comments	Revision
	dwg16562	Drawing Image Number		
1.	815-092C	HUB & SPINDLE ASSY 4 BOLT		
2.	803-289C	NUT HEX 1 1/4-7(MACHINED)PLAIN		
3.	816-286C	OIL SEAL DBL LIP 2.441 BORE		
4.	822-091C	BEARING CONE 15123		
5.	822-092C	BEARING CUP 15245		
6.	815-091C	HUB 4 BOLT		
7.	800-001C	GREASE ZERK STRAIGHT 1/4-28		
8.	827-036C	BUSHING TW 1.25ODX.78IDX5 1/4		
9.	312-067K	RC35 TAILWHEEL ASSY-21		
10.	814-059C	TIRE & WHEEL LAMINATED 6.0 X 9		
11.	818-681C	DECAL NOTICE - 20 MPH MAX		
12.	804-016C	WASHER FLAT 1/2 SAE PLT		
13.	804-015C	WASHER LOCK SPRING 1/2 PLT		
14.	802-326C	HHCS 1/2-20X1 1/4 GR5	(S/N 336501+)	Rev. 2
14.	802-240C	HHCS 1/2-20X1 GR5	(S/N 336500-)	Rev 1; Use up stock
15.	805-255C	PIN ROLL 3/8 X 2 1/2 PLT		
16.	804-074C	WASHER MACH 3.25 X 1.75 X 10GA		
17.	800-080C	GREASE ZERK 1/4-28 THD FORMING		
18.	312-591H	WLDMT.YOKE ARM SUPPORT		
19.	312-231D	TAILWHEEL WASHER		
20.	312-100H	RC35 YOKE WLDMT		
21.	802-272C	HHCS 3/4-10X10 GR5		
22.	804-023C	WASHER LOCK SPRING 3/4 PLT		
23.	803-027C	NUT HEX 3/4-10 PLT		
24.	312-084L	RC 35 TW & YOKE ASSY		
25.	803-263C	NUT HEX FLANGE LOCK 5/8-11 PLT		
26.	806-018C	U-BOLT 5/8-11 X 3 1/32X4 1/4G5		
27.	312-588H	WLDMT. SEMI-MOUNT AXLE	RCR3510 & RCRM3510	
27.	312-630H	WLDMT. SEMI-MOUNT AXLE	RCR3596 & RCRM3596	
28.	802-065C	HHCS 3/4-10X2 1/4 GR5		
29.	804-025C	WASHER FLAT 3/4 SAE PLT		
30.	312-712D	TUBE 1 OD X 12 GA X 15/16 LG.		
31.	803-026C	NUT LOCK 3/4-10 PLT		
32.	802-360C	HHCS 3/4-10X6 1/2 GR5		
33.	804-024C	WASHER FLAT 3/4 USS PLT		
34.	803-168C	NUT HEX TOP LOCK 1-8 PLT		
35.	312-804D	SPRING SHOCK SUPPORT		
36.	805-187C	PIN CLEVIS 1 X 2 1/4 GR5 PLT		
37.	807-143C	SPRING COMP 1.88OD x .362W		
38.	312-515H	SPRING SHOCK WLDMT		
39.	802-368C	HHCS 1-8X3 GR5		
40.	805-104C	PIN COTTER 3/16 X 1 1/2 PLT		
41.	804-029C	WASHER FLAT 1 SAE		
42.	890-177C	RATCHET JACK - HEAVY DUT	Optional	

# Check Chain

Applies to RCR3510, RCR3596, RCRM3510, RCRM3596



15984

## Check Chain

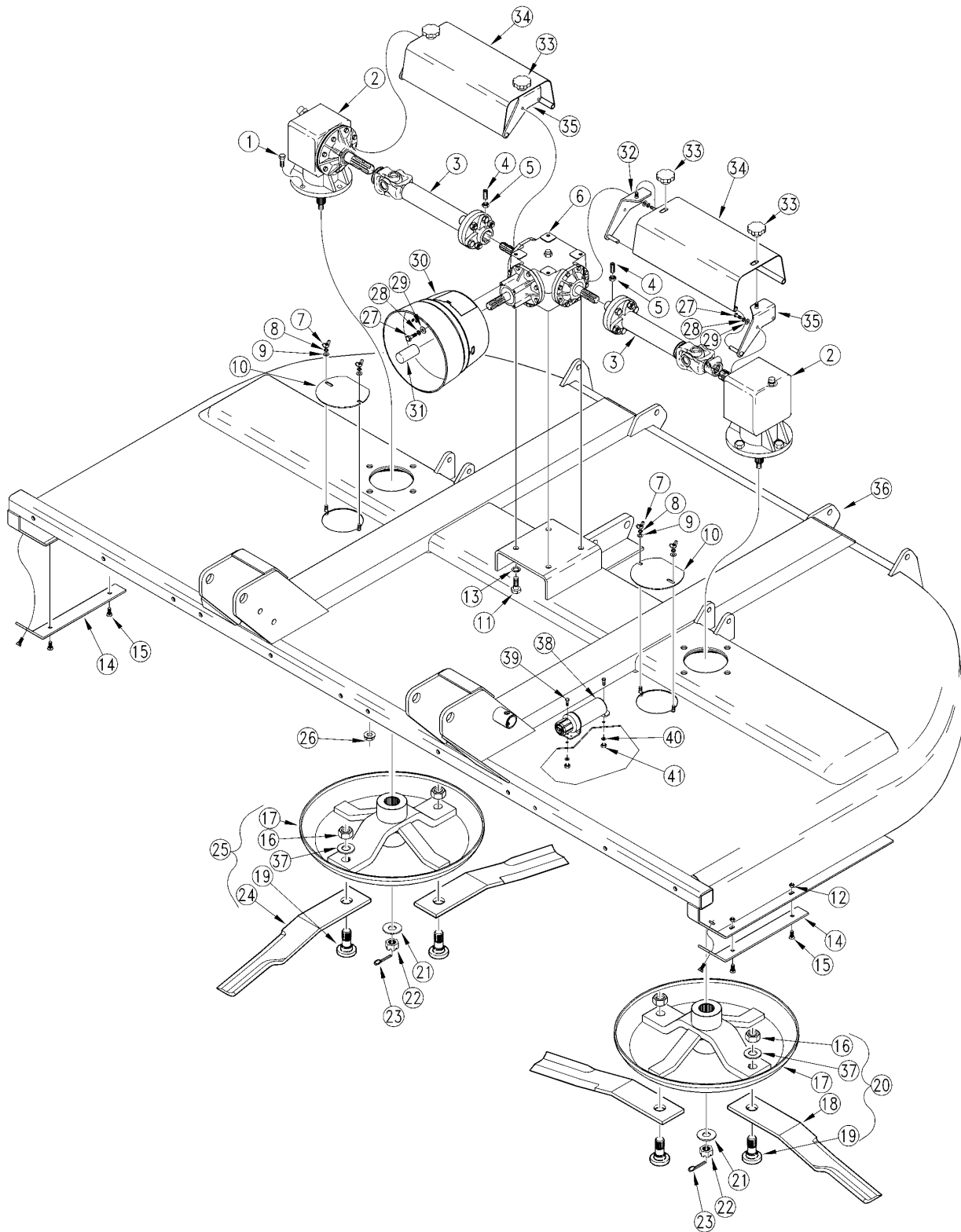
---

Applies to RCR3510, RCR3596, RCRM3510, RCRM3596

Ref	Part No.	Part Description	Comments	Revision
	dwg15984	Drawing Image Number		
	312-071A	CHECK CHAIN ASSY		
1.	803-027C	NUT HEX 3/4-10 PLT		
2.	804-023C	WASHER LOCK SPRING 3/4 PLT		
3.	312-136D	CHECK CHAIN MT - TRACTOR		
4.	817-057C	PLUG CAP 1 3/8 X 3/4		
5.	312-062H	CHECK CHAIN WLDM'T		
6.	802-184C	HHCS 3/4-10X1 1/2 GR5		

**Deck**

Applies to RCR3510, RCR3596, RCRM3510, RCRM3596



15976

**Deck****Applies to RCR3510, RCR3596, RCRM3510, RCRM3596**

<b>Ref</b>	<b>Part No.</b>	<b>Part Description</b>	<b>Comments</b>	<b>Revision</b>
	dwg15976	Drawing Image Number		
1.	802-065C	HHCS 3/4-10X2 1/4 GR5	(S/N 558465+)	
1.	802-064C	HHCS 3/4-10X2 GR5	(S/N 558464-)	
2.	826-378C	GBOX RC35 1.75-20 1:1.47 STD.	S/N 375614+	Rev. 2
2.	826-378C81	GBOX RC35 1.75-20 1:1.47 STD. GREEN		
2.	826-378C82	GBOX RC35 1.75-20 1:1.47 STD. ORSNGE		
2.	826-378C83	GBOX RC35 1.75-20 1:1.47 STD. RED		
2.	826-217C	GBOX RC71SR 1.75-20 1:1.46	S/N 375613- Replace Both 826-217C Boxes	Rev. 1
3.	826-334C	FLEX COUPLER 1 3/4-20 (16.44)	(Shown) RCR3510 & RCRM3510 S/N 384159+	Rev. 2
3.	826-214C	REP BY 826-334C	S/N 384158-	Rev. 1
3.	826-224C	FLEX COUPLER 1 3/4-20 (9.21)	RCR3596 & RCRM3596	
4.	801-007C	SCREW SET SQ HD 3/8-16X7/8 PLT		
5.	803-012C	NUT HEX JAM 3/8-16 PLT		
6.	826-218C	T-BOX 500 SER. 1.75-20 1:1.35	540 RPM	
6.	826-218C81	T-BOX 500 SER. 1.75-20 1:1.35 GREEN		
6.	826-218C83	T-BOX 500 SER. 1.75-20 1:1.35 RED		
6.	826-218C82	T-BOX 500 SER. 1.75-20 1:1.35 ORANGE		
6.	826-356C	T-BOX 1.75-20 1:1.35	Only on RCR3596 S/N 473191 Thru 473290	
6.	826-219C	T-BOX 500 SER. 1.75-20 1.35:1	1000 RPM	
6.	826-219C81	T-BOX 500 SER. 1.75-20 1.35:1 GREEN		
6.	826-219C82	T-BOX 500 SER. 1.75-20 1.35:1 ORANGE		
6.	826-219C83	T-BOX 500 SER. 1.75-20 1.35:1 RED		
7.	803-231C	NUT WING 3/8-16 PLT		
8.	804-013C	WASHER LOCK SPRING 3/8 PLT		
9.	804-012C	WASHER FLAT 3/8 SAE PLT		
10.	312-812D	ACCESS COVER PLATE		
10.	312-812D81	ACCESS COVER PLATE GREEN		
10.	312-812D83	ACCESS COVER PLATE RED		
11.	802-034C	HHCS 1/2-13X1 1/4 GR5		
12.	803-198C	NUT HEX WHIZ 3/8-16 PLT		
13.	804-015C	WASHER LOCK SPRING 1/2 PLT		
14.	312-602D	SKID SHOE		
14.	312-602D81	SKID SHOE GREEN		
14.	312-602D	SKID SHOE ORANGE		
14.	312-602D83	SKID SHOE RED		
15.	802-466C	PLOW 3/8-16X1 1/4 GR5		
16.	803-170C	NUT HEX TOP LOCK 1 1/8-12 PLT.		
17.	312-817H	17 DISHPAN WLDMT LG.HUB(COMER)	COMER; RCR3510 & RCRM3510	Rev. 2 not compat. w/Rev. 1
17.	312-510H	DISHPAN WELDMENT 17" CTR	OMNI; RCR3510 & RCRM3510	Rev. 1
17.	312-820H	15 DISHPAN WLDMT LG.HUB(COMER)	COMER R; RCR3596 & RCRM3596	Rev. 2 not compat. w/Rev. 1
17.	312-404H	15 ROUND DISHPAN WLDMNT(OMNI)	OMNI; RCR3596 & RCRM3596	Rev. 1
18.	820-137C	CUTTER BLADE 1/2 X 4 X 25 CCW	Standard Blade; RCR3510 & RCRM3510; Quantity 2 per cutter	
18.	820-193C	CUTTER BLADE 1/2X4X25 LL CCW	Optional blade; RCR3510 & RCRM3510; Quantity 2 per cutter	
18.	820-195C	CUTTER BLADE 1/2X4X20 1/2 CCW	Standard Blade; RCR3596 & RCRM3596; Quantity 2 per cutter	
18.	820-210C	CUTTER BLADE 1/2X4X20.5 LL CCW	Optional blade; RCR3596 & RCRM3596; Quantity 2 per cutter	
19.	802-277C	BLADE BOL 1 1/8-12X3 7/16 W/KY		
20.	312-529S	CCW BLADE CARRIER ASSY.	(Shown) RCR3510 & RCRM3510	
20.	312-627S	CCW BLADE CARRIER ASSY.	RCR3596 & RCRM3596	
21.	804-029C	WASHER FLAT 1 SAE		
22.	803-095C	NUT HEX SLOTTED 1-14		
23.	805-017C	PIN COTTER 3/16 X 1 3/4 PLT		

**Deck (continued)****Applies to RCR3510, RCR3596, RCRM3510, RCRM3596**

Ref	Part No.	Part Description	Comments	Revision
24.	820-112C	CUTTER BLADE 1/2 X 4 X 25 CW	Standard Blade; RCR3510 & RCRM3510; Quantity 2 per cutter	
24.	820-209C	CUTTER BLADE 1/2X4X25 LL CW	Optional blade; RCR3510 & RCRM3510; Quantity 2 per cutter	
24.	820-196C	CUTTER BLADE 1/2X4X20 1/2 CW	Standard Blade; RCR3596 & RCRM3596; Quantity 2 per cutter	
24.	820-211C	CUTTER BLADE 1/2X4X20.5 LL CW	Optional blade; RCR3596 & RCRM3596; Quantity 2 per cutter	
25.	312-528S	CW BLADE CARRIER ASSY.	(Shown) RCR3510 & RCRM3510	
25.	312-626S	CW BLADE CARRIER ASSY.	RCR3596 & RCRM3596	
26.	803-181C	NUT HEX FLANGE LOCK 3/4-10 PLT		
27.	802-007C	HHCS 5/16-18X3/4 GR5		
28.	804-009C	WASHER LOCK SPRING 5/16 PLT		
29.	804-036C	WASHER FLAT 5/16 SAE PLT		
30.	826-222C	LARGE SHAFT CONE W ACCESS DOOR		
31.	817-165C	GRBOX SHAFT(1 3/4OD) PROTECTOR		
32.	312-509H	SHIELD BRACKET WELDMENT		
33.	817-259C	KNOB 3/8-16 FEMALE THD 2 3/8OD		
34.	312-805D	OUTER SHIELD	(Shown) RCR3510 & RCRM3510	
34.	312-933D	OUTER SHIELD	RCR3596 & RCRM3596	
35.	312-508H	SHIELD BRACKET WELDMENT		
36.	312-507H	3510 DECK WELDMENT	(Shown) RCR3510 & RCRM3510	
36.	312-507H81	3510 DECK WELDMENT GREEN		
36.	312-507H82	3510 DECK WELDMENT ORANGE		
36.	312-507H83	3510 DECK WELDMENT RED		
36.	312-611H	WLDMT DECK 96" CUTTER	RCR3596 & RCRM3596	
36.	312-611H81	WLDMT DECK 96" CUTTER GREEN		
36.	312-611H83	WLDMT DECK 96" CUTTER RED		
37.	804-147C	WASHER FLAT 1 HARD ASTM436 PN		
38.	816-481C	MANUAL STORAGE CONTAINER	(S/N 521802+)	
39.	802-005C	HHCS 1/4-20X1 GR5	(S/N 521802+)	
40.	804-007C	WASHER FLAT 1/4 SAE PLT	(S/N 521802+)	
41.	803-255C	NUT HEX NYLOCK 1/4-20	(S/N 521802+)	



***Deck (continued)***

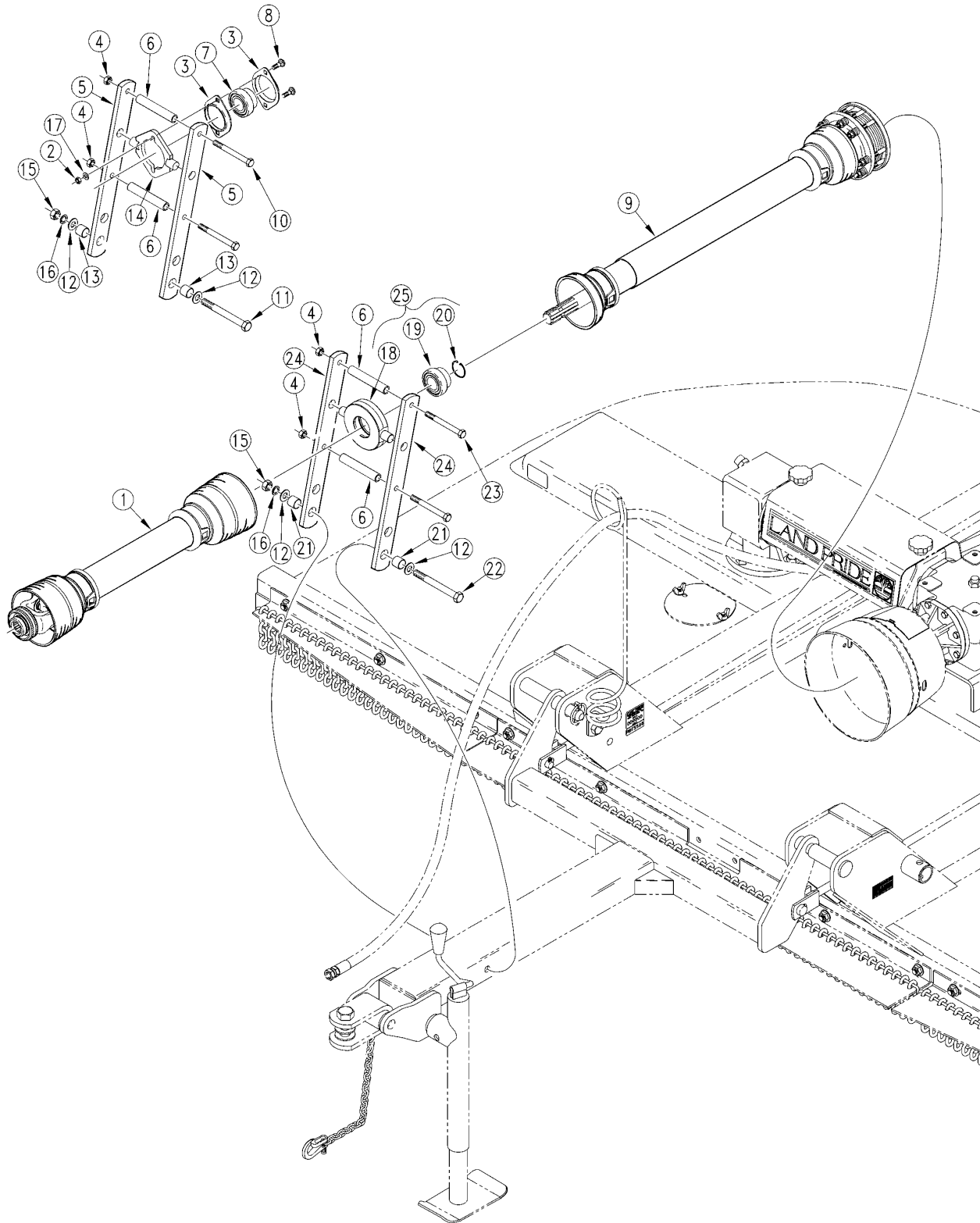
---

Applies to RCR3510, RCR3596, RCRM3510, RCRM3596

***This Page Intentionally Left Blank***

# Driveline And Bearing Support

Applies to RCR3510, RCR3596, RCRM3510, RCRM3596



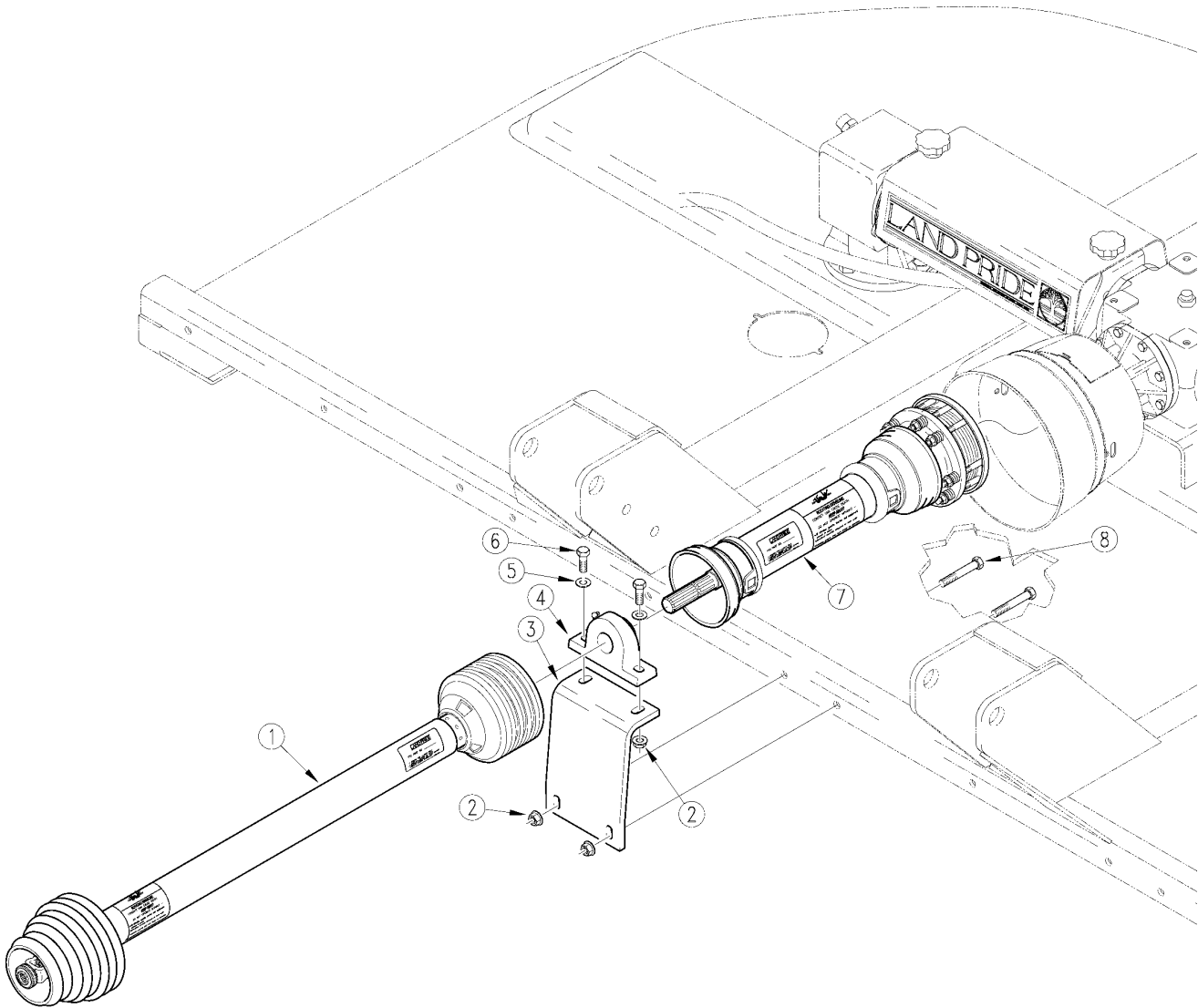
15980

**Driveline And Bearing Support****Applies to RCR3510, RCR3596, RCRM3510, RCRM3596**

Ref	Part No.	Part Description	Comments	Revision
	dwg15980	Drawing Image Number		
1.	826-151C	PTO CAT. 4 X 20.5 FIXED 540		
1.	826-223C	PTO CAT. 4 X 22 FIXED 1000		
2.	803-013C	NUT LOCK 3/8-16 PLT	(S/N 292594-)	
3.	822-099C	FLANGETTE 72 MST PLATED	(S/N 292594-)	
4.	803-019C	NUT LOCK 1/2-13 PLT		
5.	312-714D	BEARING SUPPORT	(S/N 292594-)	
6.	312-715D	PIPE 1/2 SCH. 40 X 4 15/16		
7.	822-098C	BRG 1 3/8 B X 72MM OD W/COLLAR	(S/N 292594-)	
8.	802-015C	RHSNB 3/8-16X1 GR5	(S/N 292594-)	
9.	826-220C	PTO CAT. 4 X 44.00 J/SHFT 540	RCR3510 & RCRM3510	
9.	826-256C	PTO J/S.W/4-PLATE SC CAT4 540	RCR3596 & RCRM3596	
9.	826-221C	PTO CAT. 4 X 44.00 J/SHFT 1000	RCR3510 & RCRM3510	
9.	826-259C	PTO J/S.W/4-PLATE SC CAT4 1000	RCR3596 & RCRM3596	
10.	802-323C	HHCS 1/2-13X6 1/2 GR5	(S/N 292594-)	
11.	802-262C	HHCS 5/8-11X7 GR5	(S/N 292594-)	
12.	804-021C	WASHER FLAT 5/8 SAE PLT		
13.	312-716D	TUBE 1 OD X 9/16 LG. X 5/32WL	(S/N 292594-)	
14.	312-422H	RPBY 312-681S	(S/N 292594-)	
15.	803-021C	NUT HEX 5/8-11 PLT		
16.	804-022C	WASHER LOCK SPRING 5/8 PLT		
17.	804-012C	WASHER FLAT 3/8 SAE PLT	(S/N 292594-)	
18.	312-999D	BEARING FLANGE	(S/N 292595+)	
19.	822-100C	BRG 1 3/8 B X 72MM OD W/COLLAR	(S/N 292595+)	
20.	800-069C	SNAP RING INT 2.835	(S/N 292595+)	
21.	326-002D	TUBE 1 OD X 11/16 LG. X 5/32w	(S/N 292595+)	
22.	802-146C	HHCS 5/8-11X7 1/2 GR5	(S/N 292595+)	
23.	802-260C	HHCS 1/2-13X7 GR5	(S/N 292595+)	
24.	312-833D	BEARING SUPPORT	(S/N 292595+)	
25.	312-681S	BEARING FLANGE ASSY.	Includes items 18, 19 & 20	

# Driveline And Pillowblock

Applies to RCR3510, RCRM3510



15981

***Driveline And Pillowblock***

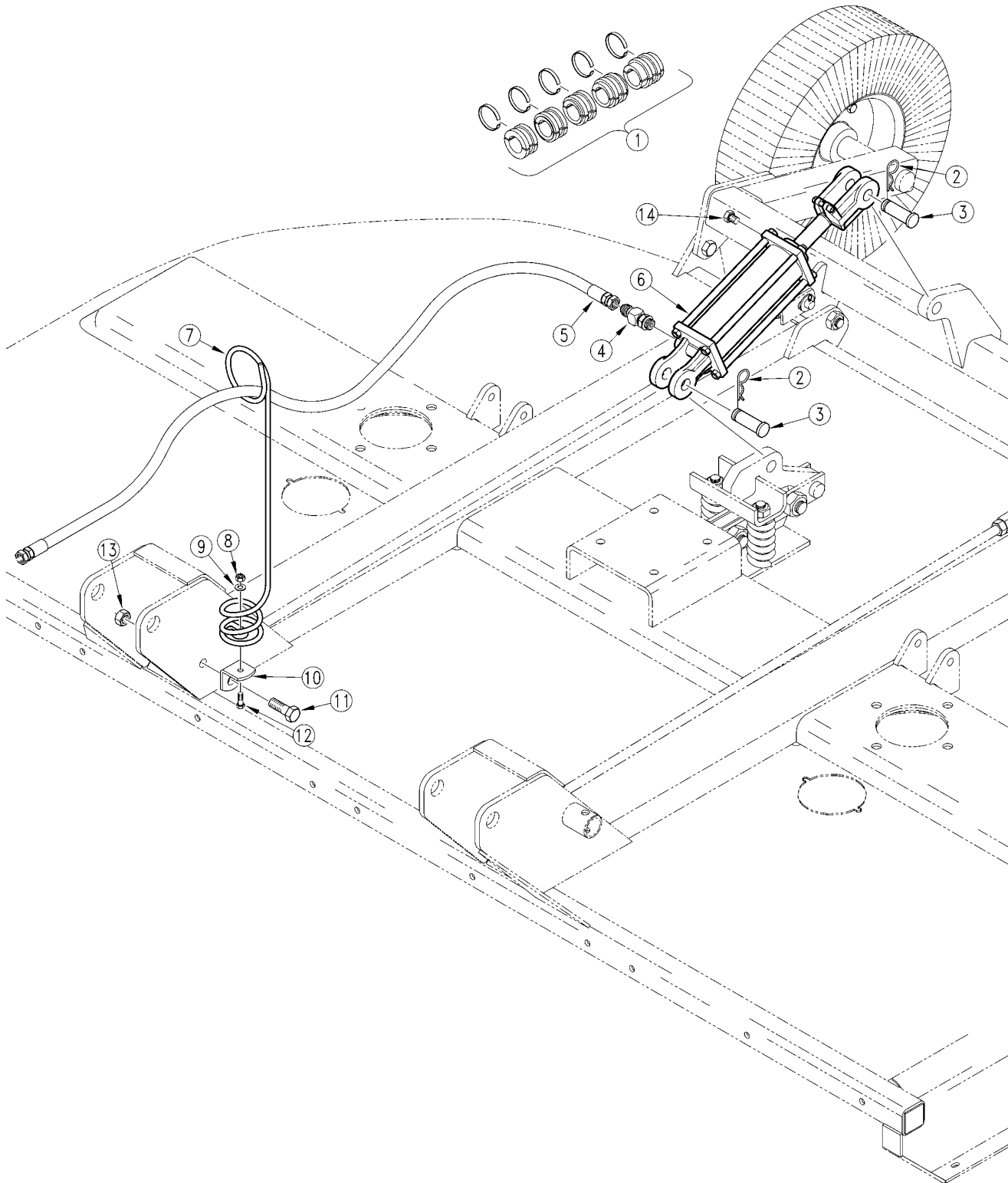
---

**Applies to RCR3510, RCRM3510**

<b>Ref</b>	<b>Part No.</b>	<b>Part Description</b>	<b>Comments</b>	<b>Revision</b>
	dwg15981	Image Reference: 15981		
1.	826-053C	PTO CV 2400 X 60 540 RPM		
1.	826-063C	PTO CV 2400 X 60 1000 RPM		
2.	803-037C	NUT HEX WHIZ 1/2-13 PLT		
3.	312-820D	PILLOW BLOCK BRG. SUPPORT		
4.	822-094C	BEARING PILLOW BLOCK 1 3/8BORE		
5.	804-016C	WASHER FLAT 1/2 SAE PLT		
6.	802-091C	HHCS 1/2-13X1 1/2 GR5		
7.	826-225C	PTO W/STUB SHAFT/SC 540 1 3/4		
7.	826-226C	PTO W/STUB SHAFT/SC 1000 1 3/4		
8.	802-041C	HHCS 1/2-13X3 1/2 GR5		

# Hydraulic Lift

Applies to RCR3510, RCR3596, RCRM3510, RCRM3596



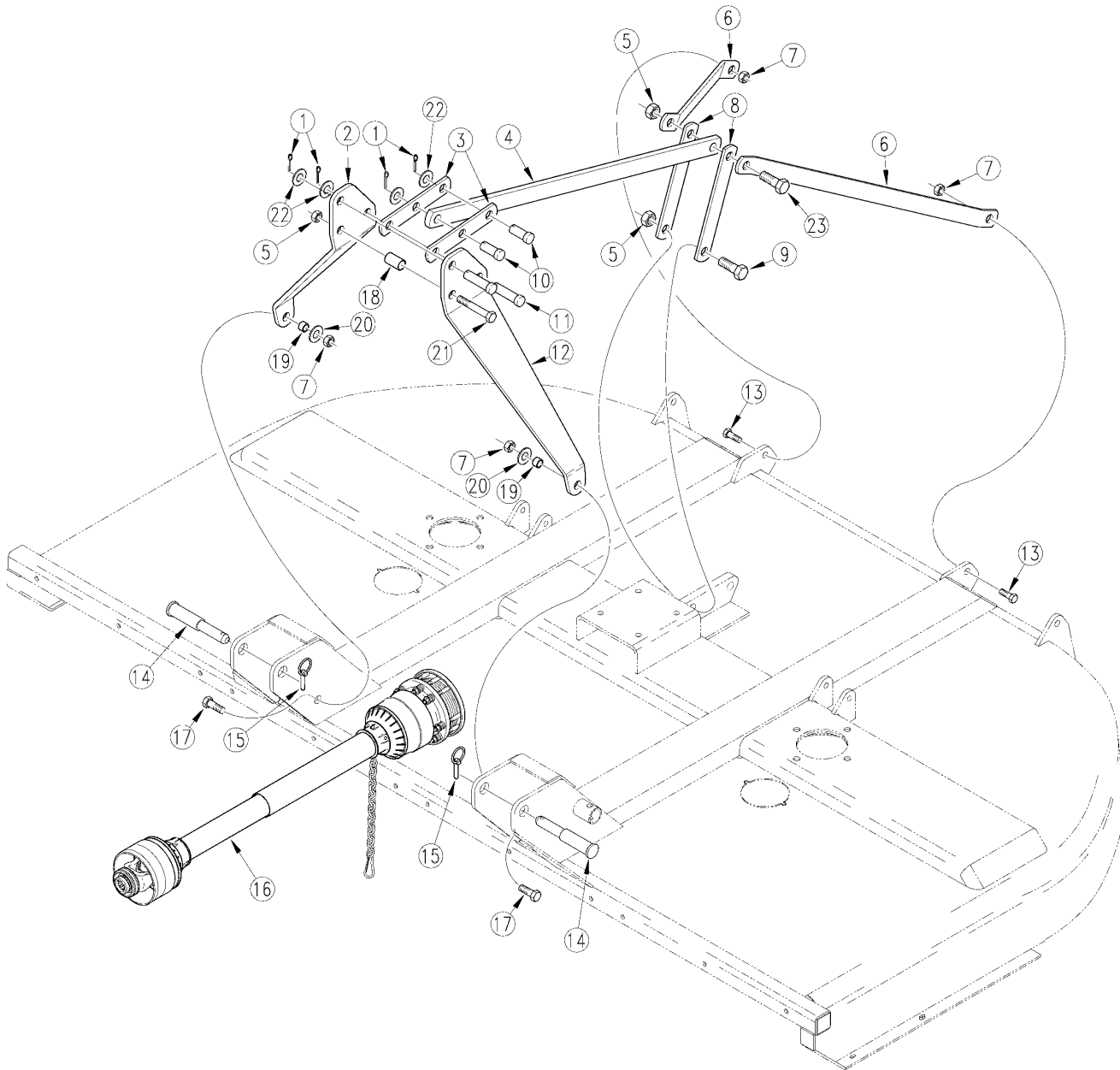
15983

**Hydraulic Lift****Applies to RCR3510, RCR3596, RCRM3510, RCRM3596**

<b>Ref</b>	<b>Part No.</b>	<b>Part Description</b>	<b>Comments</b>	<b>Revision</b>
	dwg15983	Drawing Image Number		
1.	810-242C	STROKE CONTROL SPACERS 1 1/8		
2.	805-088C	PIN, HAIR COTTER 3/16 WIRE DIA		
3.	805-004C	PIN CLEVIS 1 X 2 3/4 USABLE LG		
4.	811-170C	AD 9/16MORB 9/16MJIC		
5.	811-676C	HH3/8R1 144 3/4FJIC 9/16FJIC		
6.	810-200C	CYL 2.5X8X1.12 ROD (TIE)1 PIN		
7.	807-023C	SPRING HOSE LOOP		
8.	803-013C	NUT LOCK 3/8-16 PLT		
9.	804-012C	WASHER FLAT 3/8 SAE PLT		
10.	312-729D	HOSE HOLDER BRACKET		
11.	802-184C	HHCS 3/4-10X1 1/2 GR5		
12.	802-022C	HHCS 3/8-16X1 1/2 GR5		
13.	803-026C	NUT LOCK 3/4-10 PLT		
14.	800-117C	VENT PLUG - 9/16-18 PLATED		

# Lift Type 3-Point Hitch

Applies to RCR3510, RCR3596, RCRM3510, RCRM3596



15977

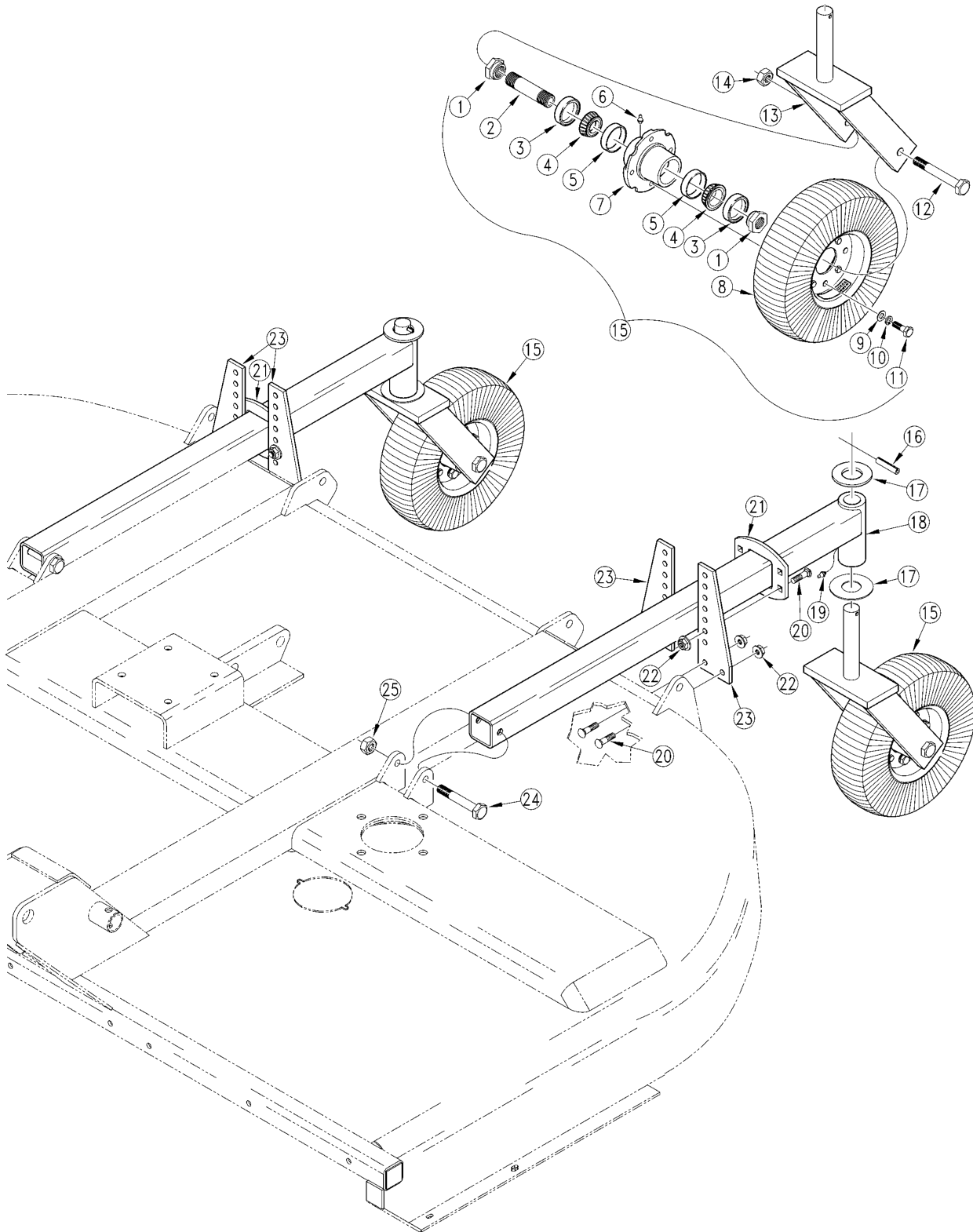


**Lift Type 3-Point Hitch****Applies to RCR3510, RCR3596, RCRM3510, RCRM3596**

Ref	Part No.	Part Description	Comments	Revision
	dwg15977	Drawing Image Number		
1.	805-058C	PIN COTTER 3/16 X 2		
2.	312-813D	A-FRAME HITCH RH.	(Shown) RCR3510 & RCRM3510	
2.	312-938D	A-FRAME RH.	RCR3596 & RCRM3596	
3.	312-822D	REAR BRACE SHORT		
4.	312-815D	REAR BRACE STRAIGHT LONG	(Shown) RCR3510 & RCRM3510	
4.	312-931D	REAR BRACE STRAIGHT LONG	RCR3596 & RCRM3596	
5.	803-168C	NUT HEX TOP LOCK 1-8 PLT		
6.	312-817D	REAR BRACE FORMED	(Shown) RCR3510 & RCRM3510	
6.	312-932D	REAR BRACE FORMED	RCR3596 & RCRM3596	
7.	803-026C	NUT LOCK 3/4-10 PLT		
8.	312-816D	REAR BRACE STRAIGHT SHORT		
9.	802-368C	HHCS 1-8X3 GR5		
10.	805-137C	PIN CLEVIS 1 X 2 PLT		
11.	805-090C	PIN CLEVIS 1 X 3 3/16 LG		
12.	312-814D	A-FRAME HITCH LH.	(Shown) RCR3510 & RCRM3510	
12.	312-939D	A-FRAME LH.	RCR3596 & RCRM3596	
13.	802-392C	HHCS 3/4-10X1 3/4 GR5		
14.	300-236D	HITCH PIN	(Shown) RCR3510 & RCRM3510	
14.	805-274C	PIN HITCH CAT.I-II	RCR3596 & RCRM3596	
15.	805-103C	PIN LYNCH 7/16 X 1 3/4		
16.	826-215C	PTO STD.W/4-PLATE SC CAT4 540	RCR3510 & RCR3596; Simi-mount	
16.	826-255C	PTO STD.W/4-PLATE SC CAT4 540	RCR3596; 3-point	
16.	826-216C	PTO STD.W/2-PLATE SC CAT4 1000	RCRM3510	
16.	826-258C	PTO STD.W/4-PLATE SC CAT4 1000	RCRM3596	
17.	802-064C	HHCS 3/4-10X2 GR5		
18.	312-821D	BUSHING 1 1/4ODX1 1/32IDX2LG		
19.	890-352C	BUSHING 1 OD X 3/4 ID X 5/8 LG		
20.	804-025C	WASHER FLAT 3/4 SAE PLT		
21.	802-098C	HHCS 1-8X4 1/2 GR5	S/N _____+	
21.	802-073C	HHCS 1-8X4 GR5	S/N _____-	
22.	804-029C	WASHER FLAT 1 SAE		
23.	802-169C	HHCS 1-8X3 1/2 GR5		

# Lift Type Tailwheels

Applies to RCR3510, RCR3596, RCRM3510, RCRM3596



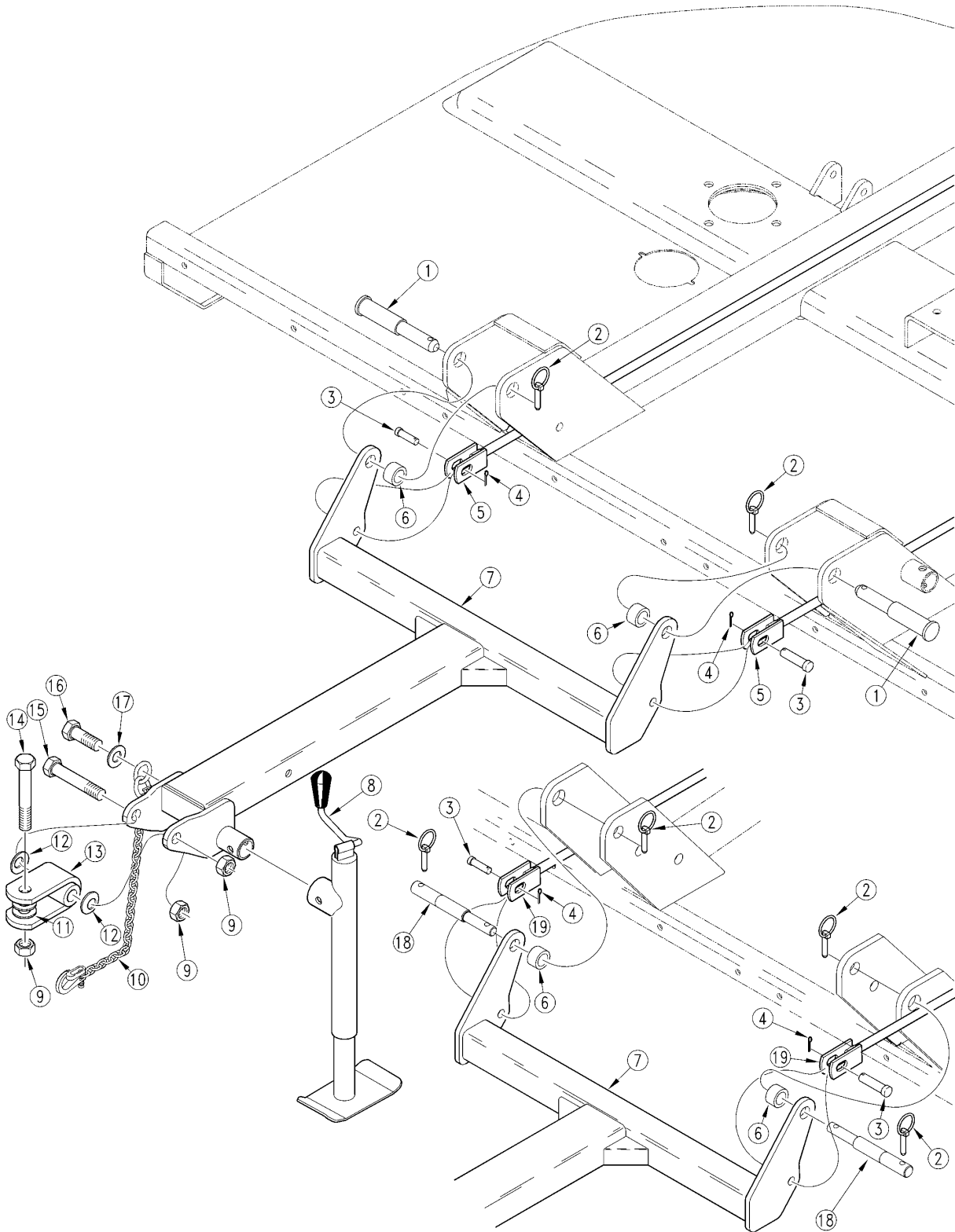
15978

**Lift Type Tailwheels****Applies to RCR3510, RCR3596, RCRM3510, RCRM3596**

Ref	Part No.	Part Description	Comments	Revision
	dwg15978	Drawing Image Number		
1.	803-289C	NUT HEX 1 1/4-7(MACHINED)PLAIN		
2.	827-036C	BUSHING TW 1.25ODX.78IDX5 1/4		
3.	816-286C	OIL SEAL DBL LIP 2.441 BORE		
4.	822-091C	BEARING CONE 15123		
5.	822-092C	BEARING CUP 15245		
6.	800-001C	GREASE ZERK STRAIGHT 1/4-28		
7.	815-091C	HUB 4 BOLT		
8.	814-058C	TIRE & WHEEL LAMINATED 4.0 X 8		
9.	804-016C	WASHER FLAT 1/2 SAE PLT		
10.	804-015C	WASHER LOCK SPRING 1/2 PLT		
11.	802-326C	HHCS 1/2-20X1 1/4 GR5	(S/N 336501+)	Rev. 2
11.	802-240C	HHCS 1/2-20X1 GR5	(S/N 336500-)	Rev 1; Use up stock
12.	802-280C	HHCS 3/4-10X7 1/2 GR5		
13.	890-583C	RC25 TAILWHEEL YOKE		
14.	803-026C	NUT LOCK 3/4-10 PLT		
15.	814-161C	LAM 4 X 8 TIRE-WHEEL-HUB-YOKE	Includes items 1 through 14	
16.	805-255C	PIN ROLL 3/8 X 2 1/2 PLT		
17.	804-171C	WASHER FLAT 1 3/8HARD ASTM436		
18.	312-512H	TAILWHEEL BEAM WELDMENT	(Shown) RCR3510 & RCRM3510	
18.	312-614H	WLDMT TAILWHEEL BEAM	RCR3596 & RCRM3596	
19.	800-080C	ZERK GREASE 1/4-28 THD FORMING		
20.	802-106C	RHSNB 1/2-13X1 1/2 GR5		
21.	312-810D	TAILWHEEL BEAM ADJ. BRKT.	(Shown) RCR3510 & RCRM3510	
21.	312-616D	TAILWHEEL ARM ADJUST PLATE	RCR3596 & RCRM3596	
22.	803-037C	NUT HEX WHIZ 1/2-13 PLT		
23.	312-811D	TAILWHEEL BEAM MOUNTING BRKT.		
24.	802-162C	HHCS 5/8-11X3 1/2 GR5		
25.	803-271C	NUT HEX TOP LOCK 5/8-11 PLT		

# Pull Type Tongue

Applies to RCR3510, RCR3596, RCRM3510, RCRM3596



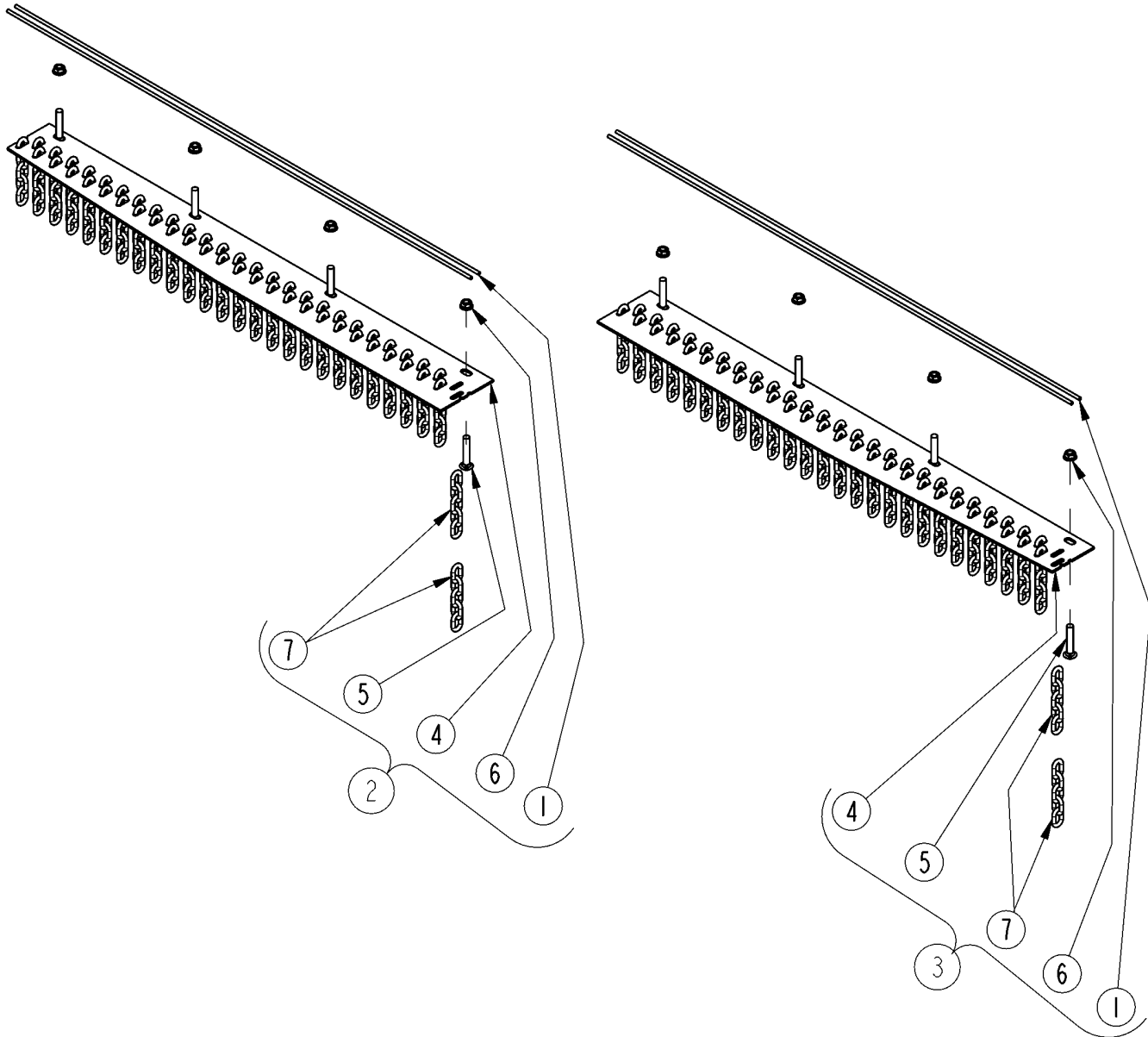
15979

***Pull Type Tongue*****Applies to RCR3510, RCR3596, RCRM3510, RCRM3596**

<b>Ref</b>	<b>Part No.</b>	<b>Part Description</b>	<b>Comments</b>	<b>Revision</b>
	dwg15979	Drawing Image Number		
1.	300-236D	HITCH PIN	RCR3510 & RCRM3510	
2.	805-103C	PIN LYNCH 7/16 X 1 3/4		
3.	805-083C	PIN CLEVIS 3/4 X 1 1/2		
4.	805-045C	PIN COTTER 5/32 X 1 1/4 LG		
5.	312-516H	LONG LEVEL ROD WLDMT	RCR3510 & RCRM3510	
6.	312-733D	TUBE 1 5/8 OD X 7/32 WL X1 LG.		
7.	312-536H	WLDMT TONGUE LONG		
8.	890-118C	SCREW JACK 2000#		
9.	803-168C	NUT HEX TOP LOCK 1-8 PLT		
10.	890-182C	SAFETY CHAIN 10000 LB		
11.	804-028C	WASHER FLAT 1 USS		
12.	804-125C	WASHER BELLEVILLE 1ID		
13.	312-421H	CLEVIS WELDMENT		
14.	802-098C	HHCS 1-8X4 1/2 GR5		
15.	802-074C	HHCS 1-8X6 1/2 GR5		
16.	802-634C	HHCS 1-8X2 GR5		
17.	804-029C	WASHER FLAT 1 SAE		
18.	805-274C	PIN HITCH CAT.I-II	RCR3596 & RCRM3596	
19.	312-613H	WLDMT LEVEL ROD LONG	RCR3596 & RCRM3596	

# Guard Chain Double Front

Applies to RCR3596, RCRM3596



25513

**Guard Chain Double Front**

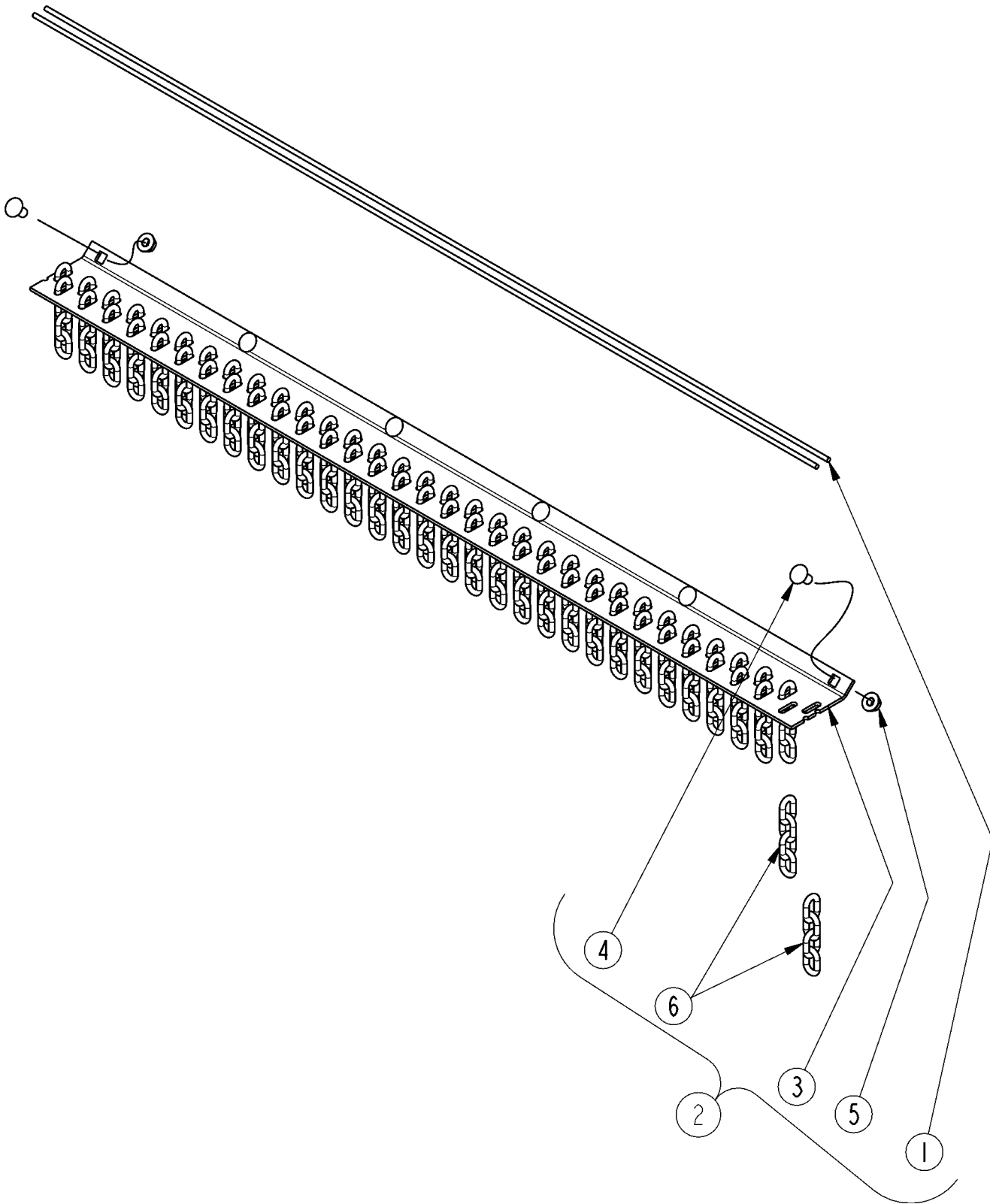
---

**Applies to RCR3596, RCRM3596**

<b>Ref</b>	<b>Part No.</b>	<b>Part Description</b>	<b>Comments</b>	<b>Revision</b>
	dwg25513	Drawing Image Number		
	326-093A	96" FRT DBL CHAINGUARD *		
1.	312-943D	ROD 1/4 X 51		
2.	326-091K	FRONT DOUBLE CHAINGUARD RH		
3.	326-092K	FRONT DOUBLE CHAINGUARD LH		
4.	326-190D	FRONT DBL CHAINGUARD BRACKET		
5.	802-440C	RHSNB 1/2-13X2 3/4 GR5		
6.	803-037C	NUT HEX WHIZ 1/2-13 PLT		
7.	890-341C	CHAIN WELD 5/16 PROOF X 5 LINK		

# Guard Chain Double Rear

Applies to RCR3596, RCRM3596



25514



**Guard Chain Double Rear**

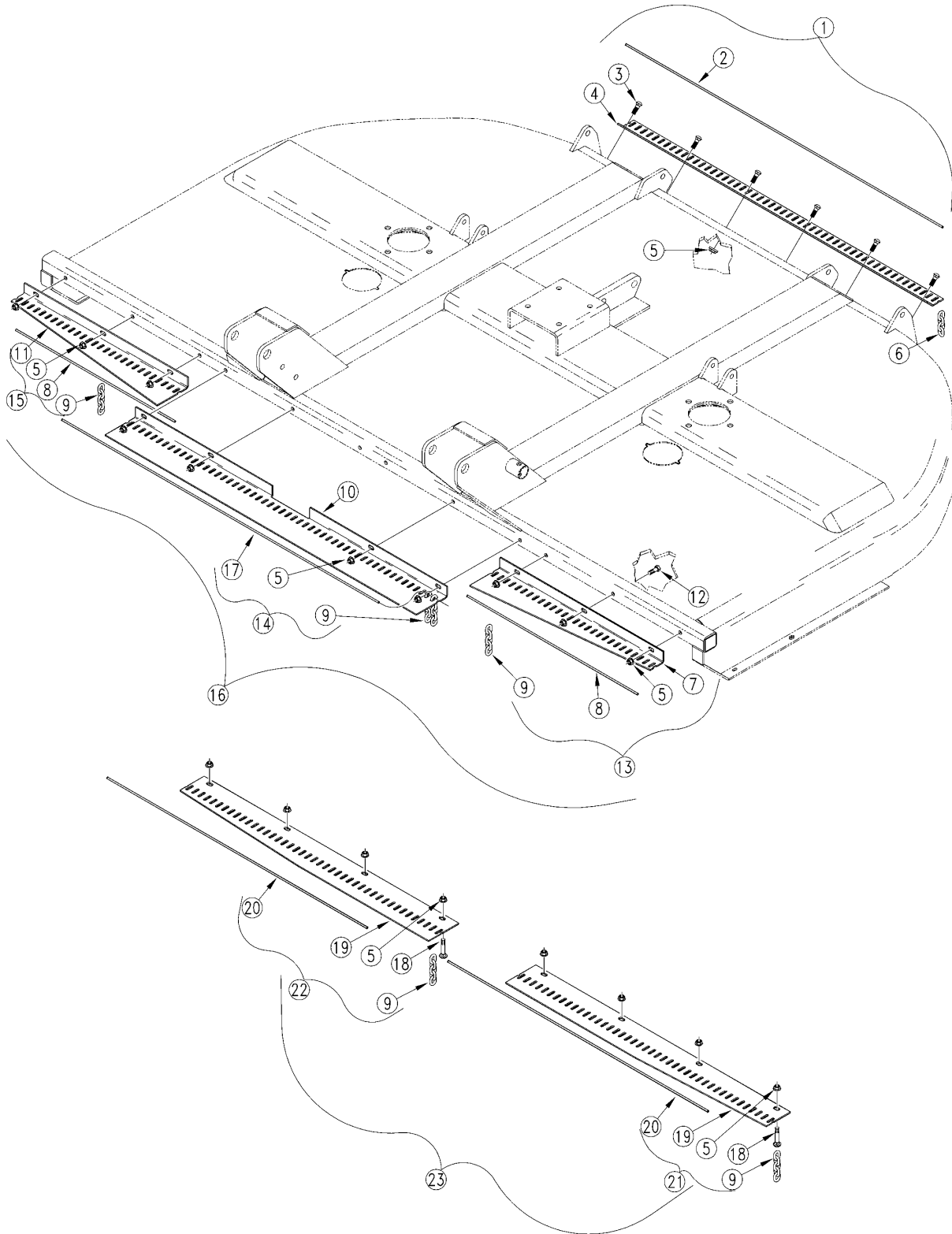
---

**Applies to RCR3596, RCRM3596**

<b>Ref</b>	<b>Part No.</b>	<b>Part Description</b>	<b>Comments</b>	<b>Revision</b>
	dwg25514	Drawing Image Number		
1.	312-942D	ROD 1/4 X 59		
2.	326-094A	96" REAR DBL CHAINGUARD		
3.	326-191D	REAR DOUBLE CHAINGUARD BRACKET		
4.	802-183C	RHSNB 1/2-13X1 GR5		
5.	803-037C	NUT HEX WHIZ 1/2-13 PLT		
6.	890-400C	CHAIN WELD 5/16 PROOF X 4 LINK		

# Guards Chain Single

Applies to RCR3510, RCR3596, RCRM3510, RCRM3596



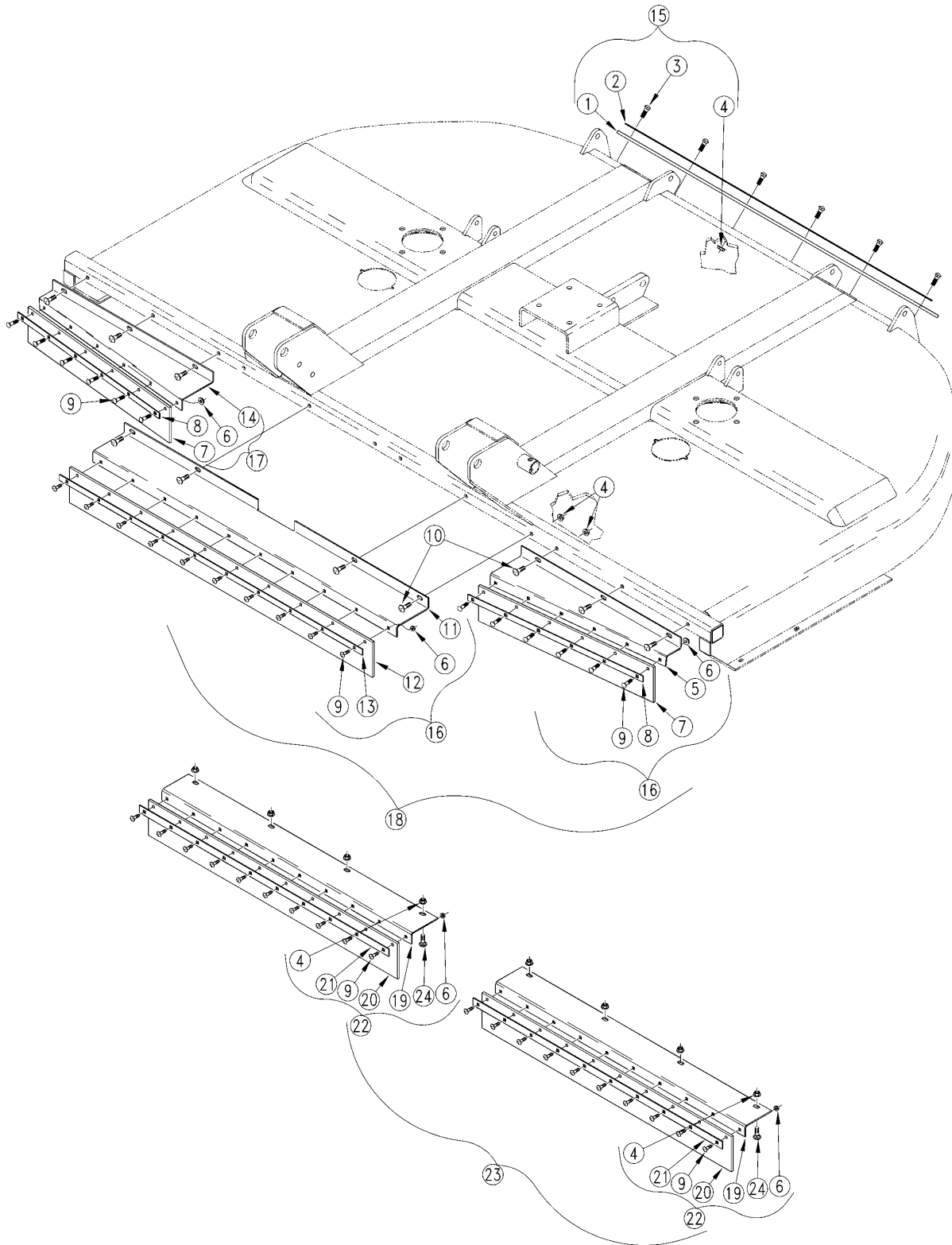
15985

**Guards Chain Single****Applies to RCR3510, RCR3596, RCRM3510, RCRM3596**

<b>Ref</b>	<b>Part No.</b>	<b>Part Description</b>	<b>Comments</b>	<b>Revision</b>
	dwg15985	Drawing Image Number		
1.	312-503A	3510 REAR CHAIN COMPLETE	RCR3510 & RCRM3510; Includes items 2 through 6	
1.	312-616A	96" REAR CHAIN COMPLETE	RCR3596 & RCRM3596	
2.	312-826D	ROD 1/4 X 63	RCR3510 & RCRM3510	
2.	312-942D	ROD 1/4 X 59	RCR3596 & RCRM3596	
3.	802-183C	RHSNB 1/2-13X1 GR5		
4.	312-827D	REAR CHAINGUARD BRACKET	RCR3510 & RCRM3510	
4.	312-940D	REAR CHAINGUARD BRACKET	RCR3596 & RCRM3596	
5.	803-037C	NUT HEX WHIZ 1/2-13 PLT		
6.	890-400C	CHAIN WELD 5/16 PROOF X 4 LINK		
7.	312-825D	FRT. CHAINGUARD BRACKET LH.	RCR3510 & RCRM3510	
8.	312-826D	ROD 1/4 X 63	RCR3510 & RCRM3510	
9.	890-341C	CHAIN WELD 5/16 PROOF X 5 LINK		
10.	312-823D	FRT. CHAINGUARD BRACKET CTR.	RCR3510 & RCRM3510	
11.	312-824D	FRT. CHAINGUARD BRACKET RH.	RCR3510 & RCRM3510	
12.	802-585C	RHSNB 1/2-13X3 1/2 GR5 PLT	RCR3510 & RCRM3510	
13.	312-539K	ASSY.FTR.CTR.OUTER LH. CG.	RCR3510 & RCRM3510; Includes items 5, 7, 8, 9 & 12	
14.	312-537K	ASSY. FRONT CENTER CHAINGUARD	RCR3510 & RCRM3510; Includes items 2, 5, 9, 10 & 12	
15.	312-538K	ASSY.FRT.CTR.OUTER RH. CG.	RCR3510 & RCRM3510; Includes items 5, 8, 9, 11 & 12	
16.	312-502A	3510 FRONT CHAIN COMPLETE	RCR3510 & RCRM3510; Includes items 13, 14 & 15	
17.	312-826D	ROD 1/4 X 63	RCR3510 & RCRM3510	
18.	802-440C	RHSNB 1/2-13X2 3/4 GR5	RCR3596 & RCRM3596	
19.	312-941D	FRONT CHAINGUARD BRACKET	RCR3596 & RCRM3596	
20.	312-943D	ROD 1/4 X 51	RCR3596 & RCRM3596	
21.	312-569K	ASSY. FRONT CHAIN GUARD LH.	RCR3596 & RCRM3596	
22.	312-568K	ASSY. FRONT CHAIN GUARD RH.	RCR3596 & RCRM3596	
23.	312-615A	96" FRONT CHAIN COMPLETE	RCR3596 & RCRM3596	

# Guards Rubber

Applies to RCR3510, RCR3596, RCRM3510, RCRM3596



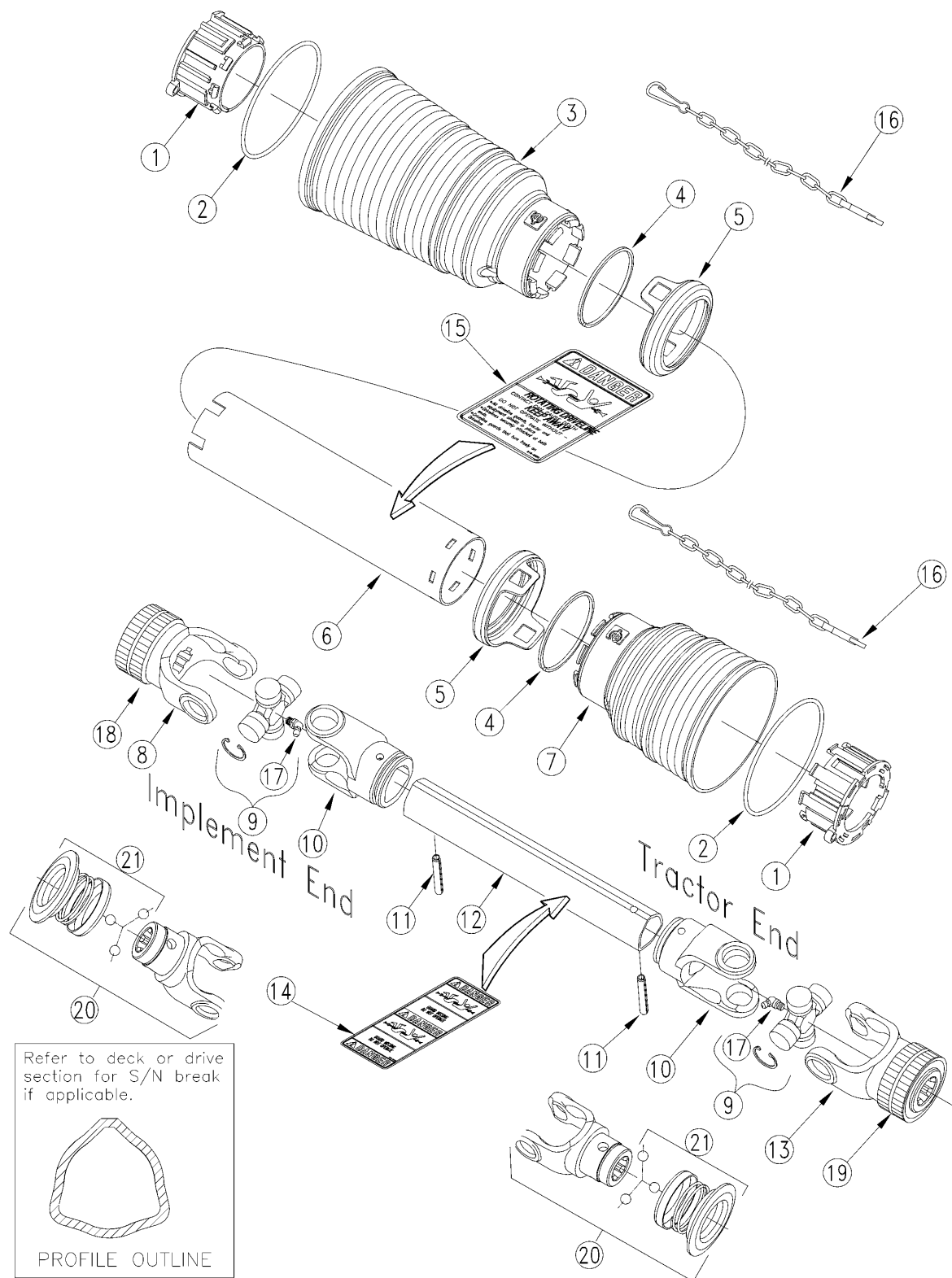
16272

**Guards Rubber****Applies to RCR3510, RCR3596, RCRM3510, RCRM3596**

Ref	Part No.	Part Description	Comments	Revision
	dwg16272	Drawing Image Number		
1.	816-274C	REAR RUBBER DEFLECTOR	RCR3510 & RCRM3510	
1.	816-299C	REAR RUBBER DEFLECTOR	RCR3596 & RCRM3596	
2.	312-836D	REAR DEFLECTOR STRAP	RCR3510 & RCRM3510	
2.	312-936D	DEFLECTOR STRAP	RCR3596 & RCRM3596	
3.	802-106C	RHSNB 1/2-13X1 1/2 GR5		
4.	803-037C	NUT HEX WHIZ 1/2-13 PLT		
5.	312-832D	FRT. DEFLECTOR BRACKET LH.	RCR3510 & RCRM3510	
6.	803-198C	NUT HEX WHIZ 3/8-16 PLT		
7.	816-273C	FRT. OUTER RUBBER DEFLECTOR	RCR3510 & RCRM3510	
8.	312-835D	FRT.OUTER DEFLECTOR STRAP	RCR3510 & RCRM3510	
9.	802-155C	RHSNB 3/8-16X1 1/4 GR5		
10.	802-585C	RHSNB 1/2-13X3 1/2 GR5 PLT		
11.	312-830D	FRT. DEFLECTOR BRACKET CTR.	RCR3510 & RCRM3510	
12.	816-272C	FRT. CTR. RUBBER DEFLECTOR	RCR3510 & RCRM3510	
13.	312-834D	FRT.CTR.DEFLECTOR STRAP	RCR3510 & RCRM3510	
14.	312-831D	FRT. DEFLECTOR BRACKET RH.	RCR3510 & RCRM3510	
15.	312-505A	3510 REAR RUBBER COMPLETE	RCR3510 & RCRM3510; Includes items 1 through 4	
15.	312-618A	96" REAR RUBBER COMPLETE	RCR3596 & RCRM3596	
16.	312-544K	ASSY. FRT.CTR.DEFLECTOR	RCR3510 & RCRM3510; Includes items 4, 6 and 9 through 13	
17.	312-545K	ASSY. FRT. OUTER DEFLECTOR RH	RCR3510 & RCRM3510; Includes items 4, 6 through 10 and 14	
18.	312-504A	3510 FRONT RUBBER COMPLETE	RCR3510 & RCRM3510; Includes items 16, 17 and 18	
19.	312-947D	FRT. DEFLECTOR BRACKET	RCR3596 & RCRM3596	
20.	816-300C	FRONT RUBBER DEFLECTOR	RCR3596 & RCRM3596	
21.	312-937D	DEFLECTOR STRAP	RCR3596 & RCRM3596	
22.	312-636K	ASSY. FRONT DEFLECTOR	RCR3596 & RCRM3596; Includes items 4, 6, 9, 10, 20, 21 & 22	
23.	312-617A	96" FRONT RUBBER COMPLETE	RCR3596 & RCRM3596; Includes two of items 23	
24.	802-440C	RHSNB 1/2-13X2 3/4 GR5	RCR3596 & RCRM3596	

**Driveline Conv. Fixed Shaft Pull Type 540 RPM (826-151C) Eurocardan**

Applies to RCR3510, RCR3596



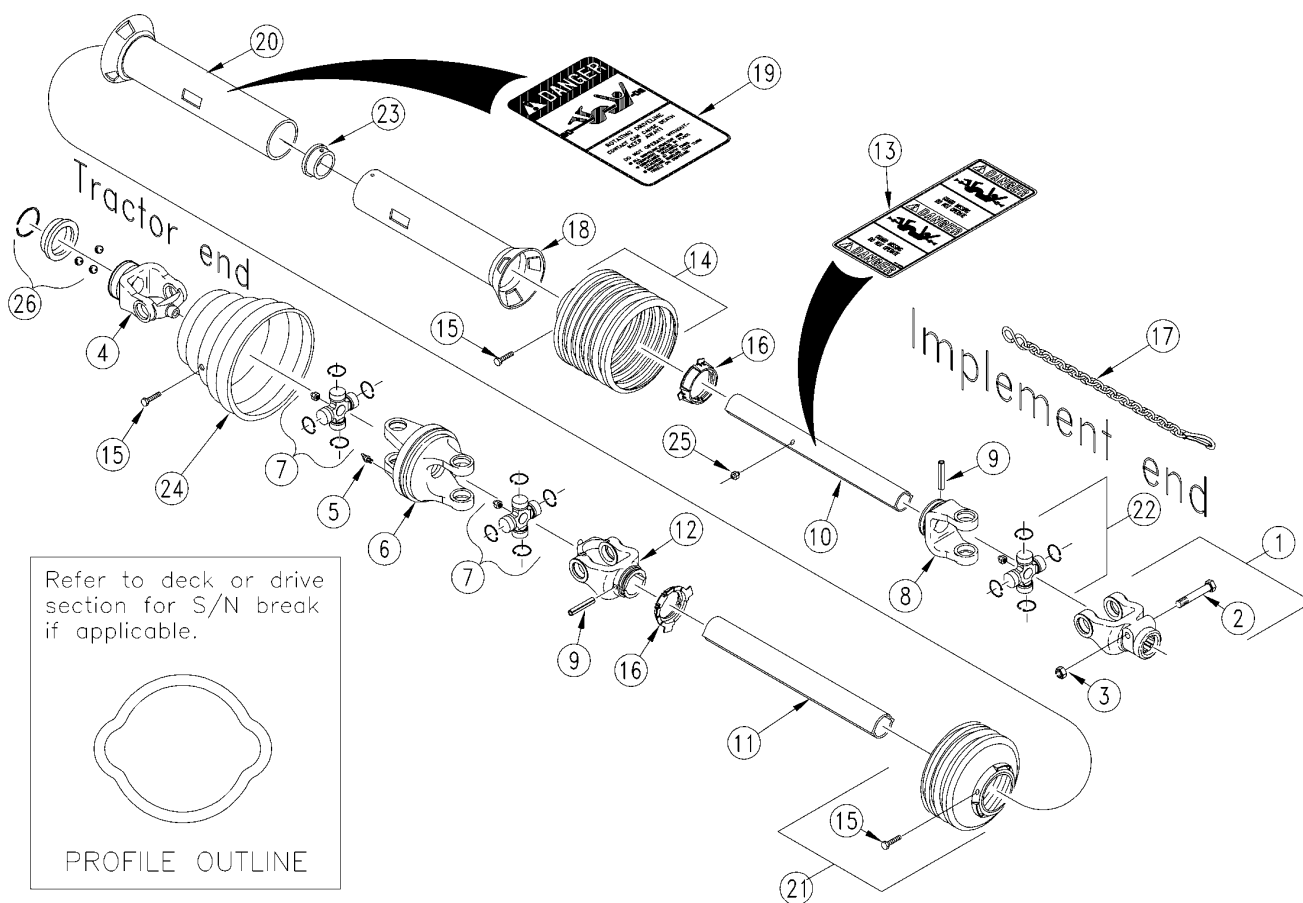
16610

***Driveline Conv. Fixed Shaft Pull Type 540 RPM (826-151C) Eurocardan*****Applies to RCR3510, RCR3596**

<b>Ref</b>	<b>Part No.</b>	<b>Part Description</b>	<b>Comments</b>	<b>Revision</b>
	dwg16610	Drawing Image Number		
	826-151C	PTO CAT. 4 X 20.5 FIXED 540		
1.	1786710	EC TUBE BEARING (OUTER TUBE)		
2.	1215733	EC STIFFENING RING		
3.	1885704	EC LONG CONE		
4.	1215735	EC STOP RING		
5.	1885709	EC SAFETY SLEEVE		
6.	1876030D	EC OUTER TUBE SHIELD		
7.	1885703	EC STANDARD CONE		
8.	1116010	EC YOKE ASSY 1 3/8-6(IMP. END)		
9.	1006020	EC CROSS ASSEMBLY		
10.	1706027	EC OUTER TUBE YOKE		
11.	6331080	EC 10X80-DIN-1481 O/TUBE R/PIN		
12.	1528040D	EC OUTER TUBE		
13.	1016010	EC YOKE ASSEMBLY (TRACT. END)		
14.	818-540C	DECAL DANGER GUARD MISS PTO		
15.	818-552C	DECAL DANGER PTO DRIVELINE		
16.	044321	DRIVELINE SHIELD SAFETY CHAIN		
17.	6560508	EC GREASE ZERK 8X1 45 DEG.		
18.	1004224	EC TWIST COLLAR KIT (IMP. END)		
19.	1004220	EC TWIST COLLAR KIT (TRT. END)		
20.	1016012	YOKE ASSEMBLY PULL TYPE		
21.	1004225	EC PULL COLLAR KIT		

# Driveline CV Pull Type Cutter 1000 RPM (826-063C) Walterscheid

Applies to RCRM3510, RCRM3596



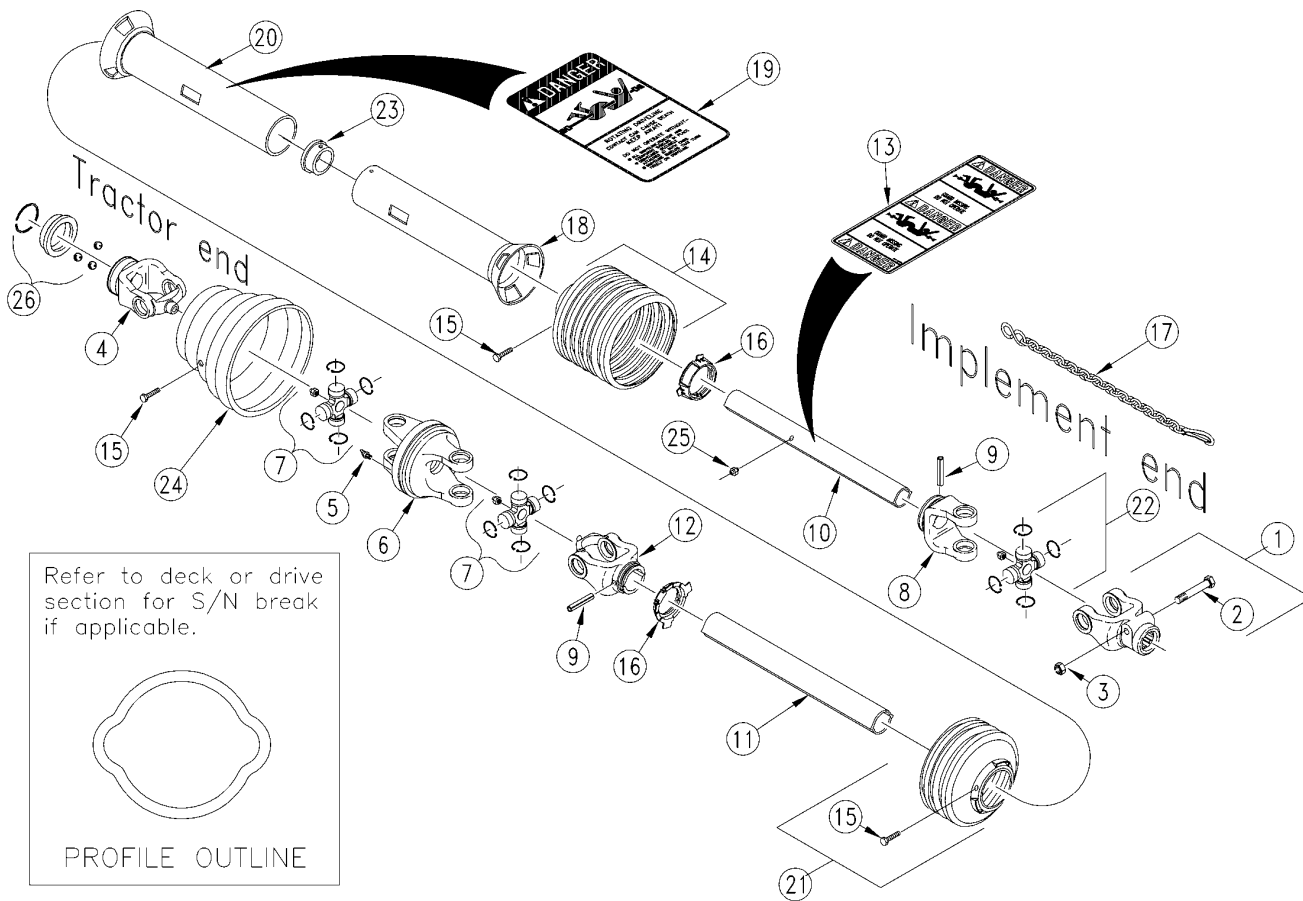


***Driveline CV Pull Type Cutter 1000 RPM (826-063C) Walterscheid*****Applies to RCRM3510, RCRM3596**

<b>Ref</b>	<b>Part No.</b>	<b>Part Description</b>	<b>Comments</b>	<b>Revision</b>
	dwg10452	Drawing Image Number		
	826-063C	PTO CV 2400 X 60 1000 RPM		
1.	320684	WS YOKE 1 3/8-21 SPL		
2.	020469	WS BOLT M12 X 75		
3.	010490	WALTERSCHEID SELF-LCKG HEX NUT		
4.	380883	WS YOKE 1 3/8-21 SP		
5.	020672	WS GREASE ZERK		
6.	365722	WS DOUBLE YOKE		
7.	342221	WS CROSS & BEARING KIT		
8.	019519	WS INBOARD YOKE		
9.	020617	WS SPRING PIN 10 X 20		
10.	383084	WS PROFILE & SLEEVE		
11.	321245	WS INNER PROFILE 16 GA		
12.	019519	WS INBOARD YOKE		
13.	383334	WALTERSCHEID DNGR DECAL-STEEL		
14.	377336	WS SHIELD CONE 6 RIB		
15.	365305	WALTERSCHEID SCREW		
16.	087276	WS BEARING RING - SC25		
17.	044321	WALTERSCHEID SAFETY CHAIN		
18.	384064	WS INNER SHIELD TUBE-ROUND		
19.	383333	WALTERSCHEID DANGER DECAL-SHLD		
20.	388434	WS OUTER SHIELD TUBE OVL		
21.	172758	WS SHIELD CONE 3 RIB		
22.	312410	WS CROSS BEARING KIT		
23.	355155	WS SUPPORT BEARING		
24.	386083	WS CV CONE & BEARING ASSY		
25.	380371	WS ZERK		
26.	381908	WS QUICK DISCONNECT KIT		

# Driveline CV Pull Type Cutter 540 RPM (826-053C) Walterscheid

Applies to RCR3510, RCR3596

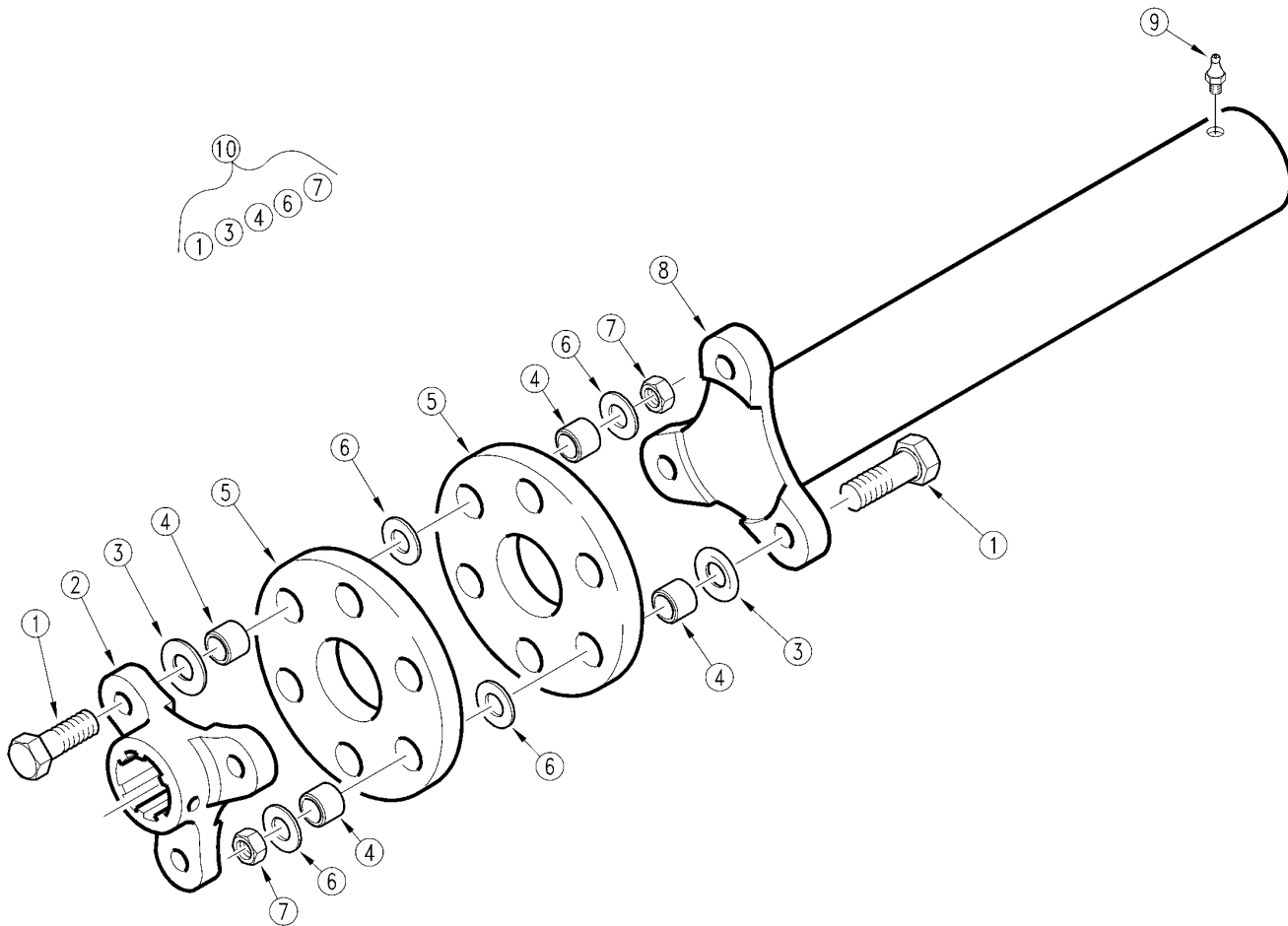


***Driveline CV Pull Type Cutter 540 RPM (826-053C) Walterscheid*****Applies to RCR3510, RCR3596**

<b>Ref</b>	<b>Part No.</b>	<b>Part Description</b>	<b>Comments</b>	<b>Revision</b>
	dwg10452	Drawing Image Number		
	826-053C	PTO CV 2400 X 60 540 RPM		
1.	320684	WS YOKE 1 3/8-21 SPL		
2.	020469	WS BOLT M12 X 75		
3.	010490	WALTERSCHEID SELF-LCKG HEX NUT		
4.	380882	WS YOKE 1 3/8-6 SPL		
5.	020672	WS GREASE ZERK		
6.	365722	WS DOUBLE YOKE		
7.	342221	WS CROSS & BEARING KIT		
8.	019519	WS INBOARD YOKE		
9.	020617	WS SPRING PIN 10 X 20		
10.	382647	WS PROFILE & SLEEVE		
11.	095758	WS INNER PROFILE 16 GA		
12.	341586	WS INBOARD YOKE		
13.	383334	WALTERSCHEID DNGR DECAL-STEEL		
14.	377336	WS SHIELD CONE 6 RIB		
15.	365305	WALTERSCHEID SCREW		
16.	087276	WS BEARING RING - SC25		
17.	044321	WALTERSCHEID SAFETY CHAIN		
18.	382437	WS INNER SHIELD TUBE ROUND		
19.	383333	WALTERSCHEID DANGER DECAL-SHLD		
20.	383128	WS OUTER SHIELD TUBE OVL.		
21.	172758	WS SHIELD CONE 3 RIB		
22.	312410	WS CROSS BEARING KIT		
23.	355155	WS SUPPORT BEARING		
24.	386083	WS CV CONE & BEARING ASSY		
25.	380371	WS ZERK		
26.	381908	WS QUICK DISCONNECT KIT		

**Driveline Flex Coupler (826-214C) Eurocardan (S/N 384158-)**

Applies to RCR3510, RCRM3510



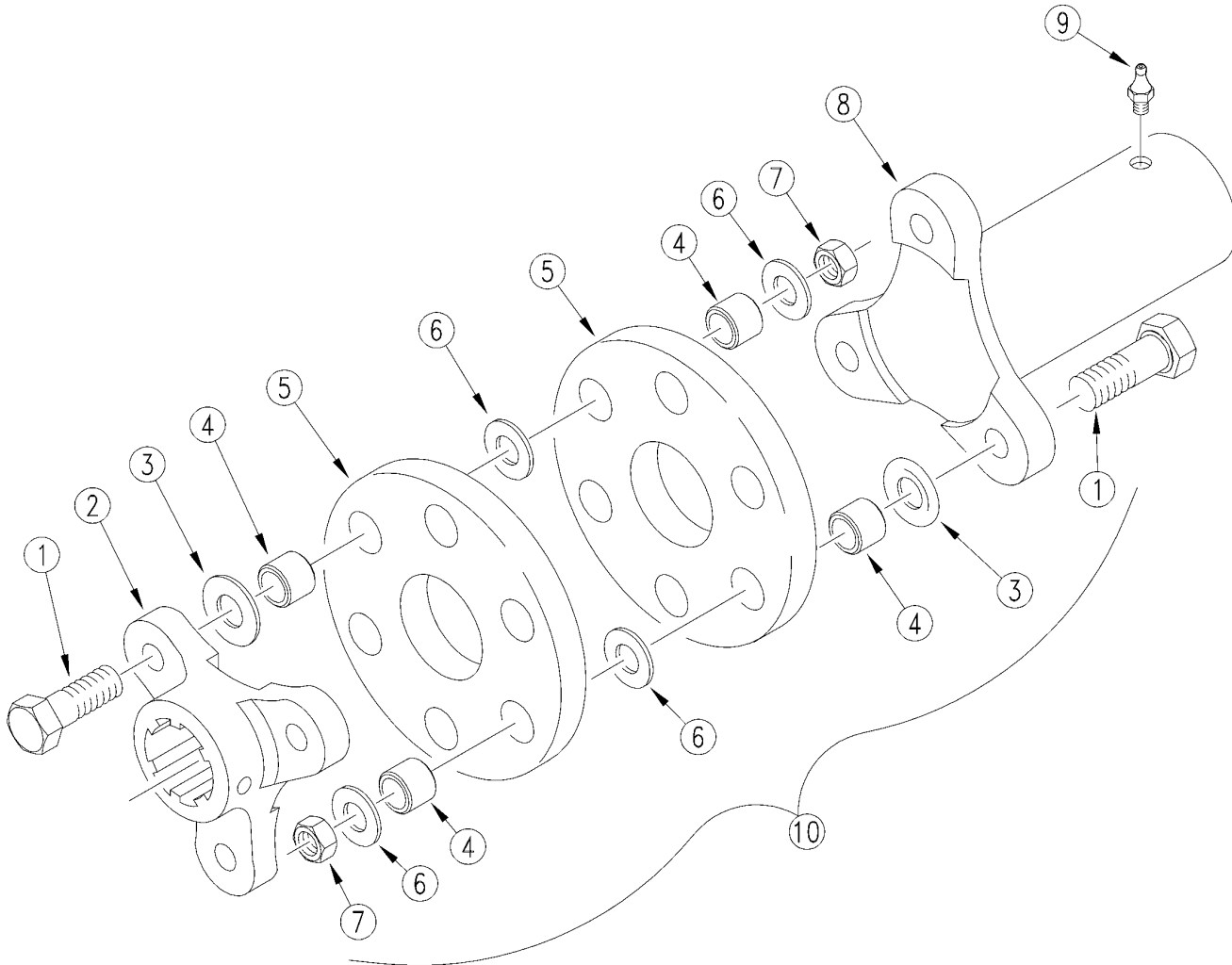
16365

**Driveline Flex Coupler (826-214C) Eurocardan (S/N 384158-)****Applies to RCR3510, RCRM3510**

Ref	Part No.	Part Description	Comments	Revision
	dwg16365	Drawing Image Number		
	826-214C	FLEX COUPLER 1 3/4-20 (15.51)		
1.		EC BOLT	Only sold in kit #10	
2.	1705277	EC SPIDER 1 3/4-20 W/TAP HOLE		
3.		EC WSH. BD. 35mm O.D/16.5mm I.D	Only sold in kit #10	
4.		EC BOLT BUSHING	Only sold in kit #10	
5.	1785273	EC RUBBER DISC	Can be ordered seperately	
6.		EC WASHER 29.8mm O.D/17.2mm I.D	Only sold in kit #10	
7.		EC NUT	Only sold in kit #10	
8.	1005221	EC SPIDER TUBE		
9.	6560208	EC GREASE ZERK M8 STRAIGHT		
10.	312-608A	FLEX COUPLER KIT	Includes items 1, 3, 4, 6 & 7	

# Driveline Flex Coupler (826-224C) Eurocardan

Applies to RCR3596, RCRM3596



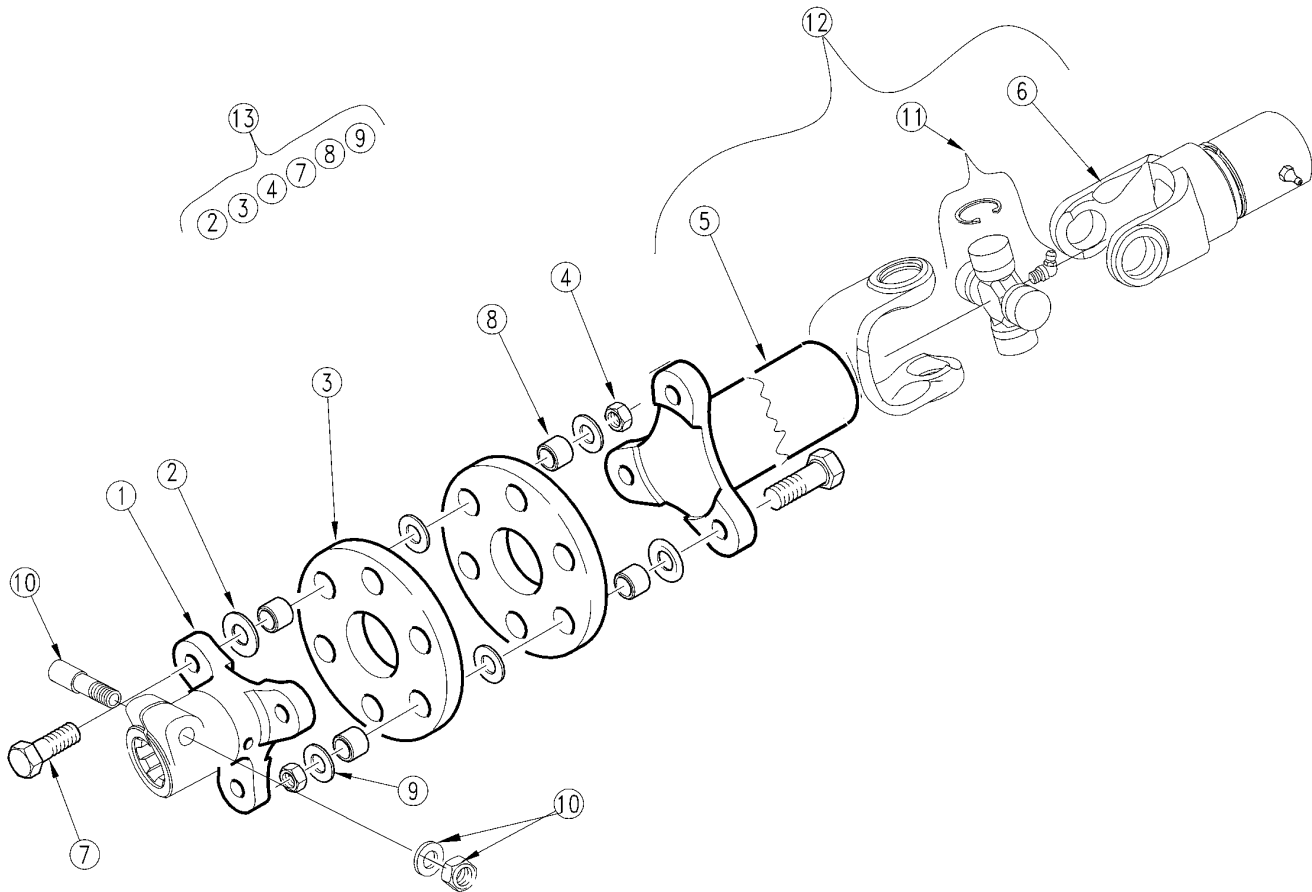
16886

***Driveline Flex Coupler (826-224C) Eurocardan*****Applies to RCR3596, RCRM3596**

<b>Ref</b>	<b>Part No.</b>	<b>Part Description</b>	<b>Comments</b>	<b>Revision</b>
	dwg16886	Drawing Image Number		
	826-224C	FLEX COUPLER 1 3/4-20 (9.21)		
1.		EC BOLT	Only sold in kit #10	
2.	1705278	EC SPIDER 1 3/4-20 W/TAP HOLE		
3.		EC WSH. BD. 35mm O.D/16.5mm I.D	Only sold in kit #10	
4.		EC BOLT BUSHING	Only sold in kit #10	
5.	1785273	EC RUBBER DISC	Can be ordered seperately & in kit #10	
6.		EC WASHER 29.8mm O.D/17.2mm I.D	Only sold in kit #10	
7.		EC NUT	Only sold in kit #10	
8.	1005220	EC SPIDER TUBE		
9.	6560208	EC GREASE ZERK M8 STRAIGHT		
10.	312-608A	FLEX COUPLER KIT	Includes items 1, 3, 4, 5, 6 & 7	

**Driveline Flex Coupler (826-334C) Eurocardan (S/N 384159+)**

Applies to RCR3510, RCRM3510



21263

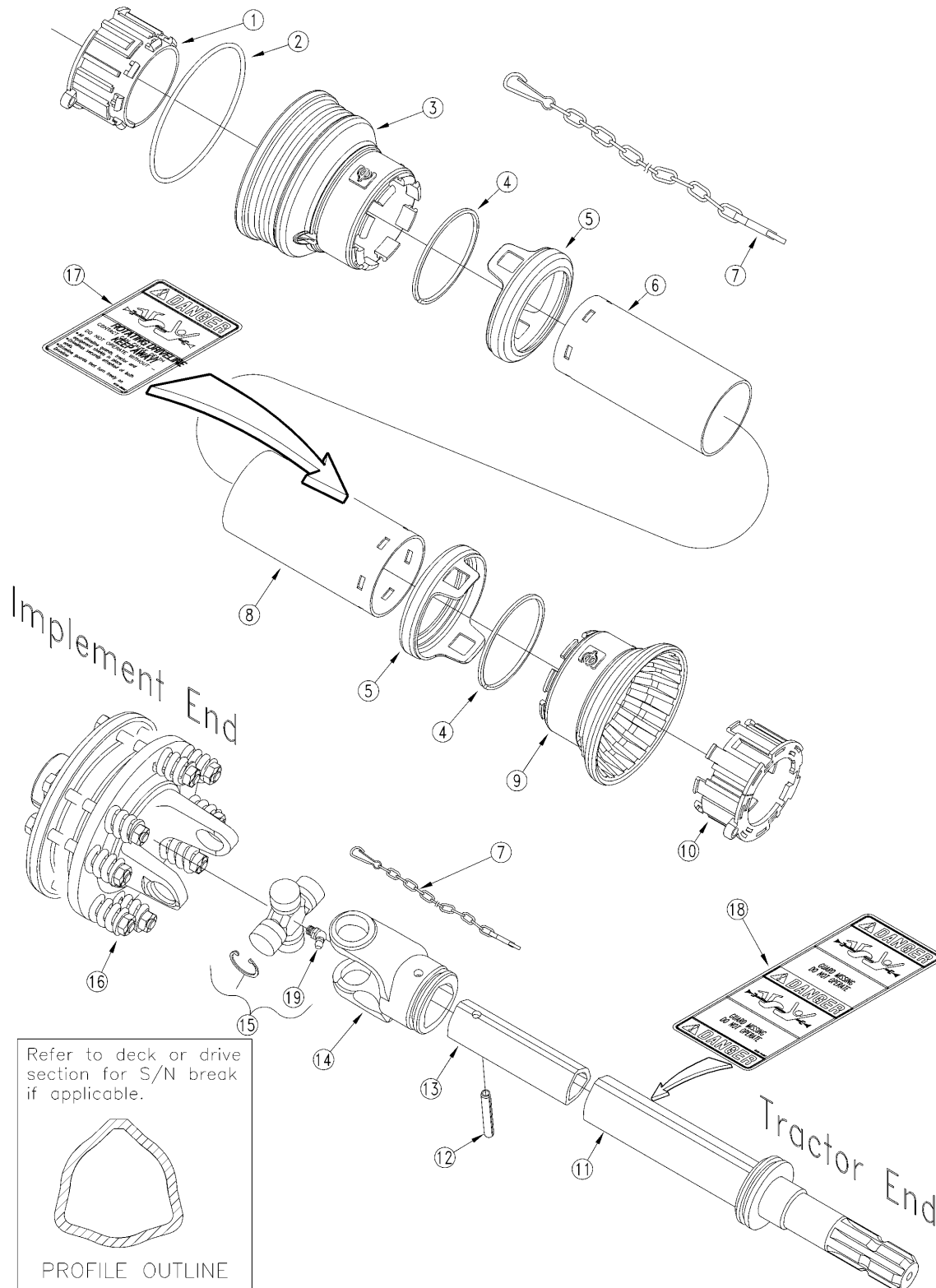


***Driveline Flex Coupler (826-334C) Eurocardan (S/N 384159+)*****Applies to RCR3510, RCRM3510**

<b>Ref</b>	<b>Part No.</b>	<b>Part Description</b>	<b>Comments</b>	<b>Revision</b>
	dwg21263	Drawing Image Number		
	826-334C	FLEX COUPLER 1 3/4-20 (16.44)		
1.	1705267	EC CONNECTION HUB		
2.	1235287	EC WSH. BD. 35mm O.D/16.5mm I.D		
3.	1785273	EC RUBBER DISC		
4.	6410716	EC NUT		
5.	1005238	EC FLANGE WLDMT.		
6.	1708072	EC YOKE 1.75-20 INDUCT. HARD		
7.	6141680	EC BOLT		
8.	1535275	EC BOLT BUSHING		
8.	1535287	REP BY 1535275		
9.	6412016	EC WASHER 29.8mm O.D/17.2mm I.D		
10.	6821484	CONICAL DOG KIT		
11.	1008020	EXTERNAL CROSS SERIES 8		
12.	1005239	EC FLANGE WLDMT./CROSS/YOKE		
13.	312-608A	FLEX COUPLER KIT	Includes items 2, 3, 4, 7, 8, 9	

**Driveline Jackshaft (1000 RPM) (826-221C) Eurocardan**

**Applies to RCRM3510**



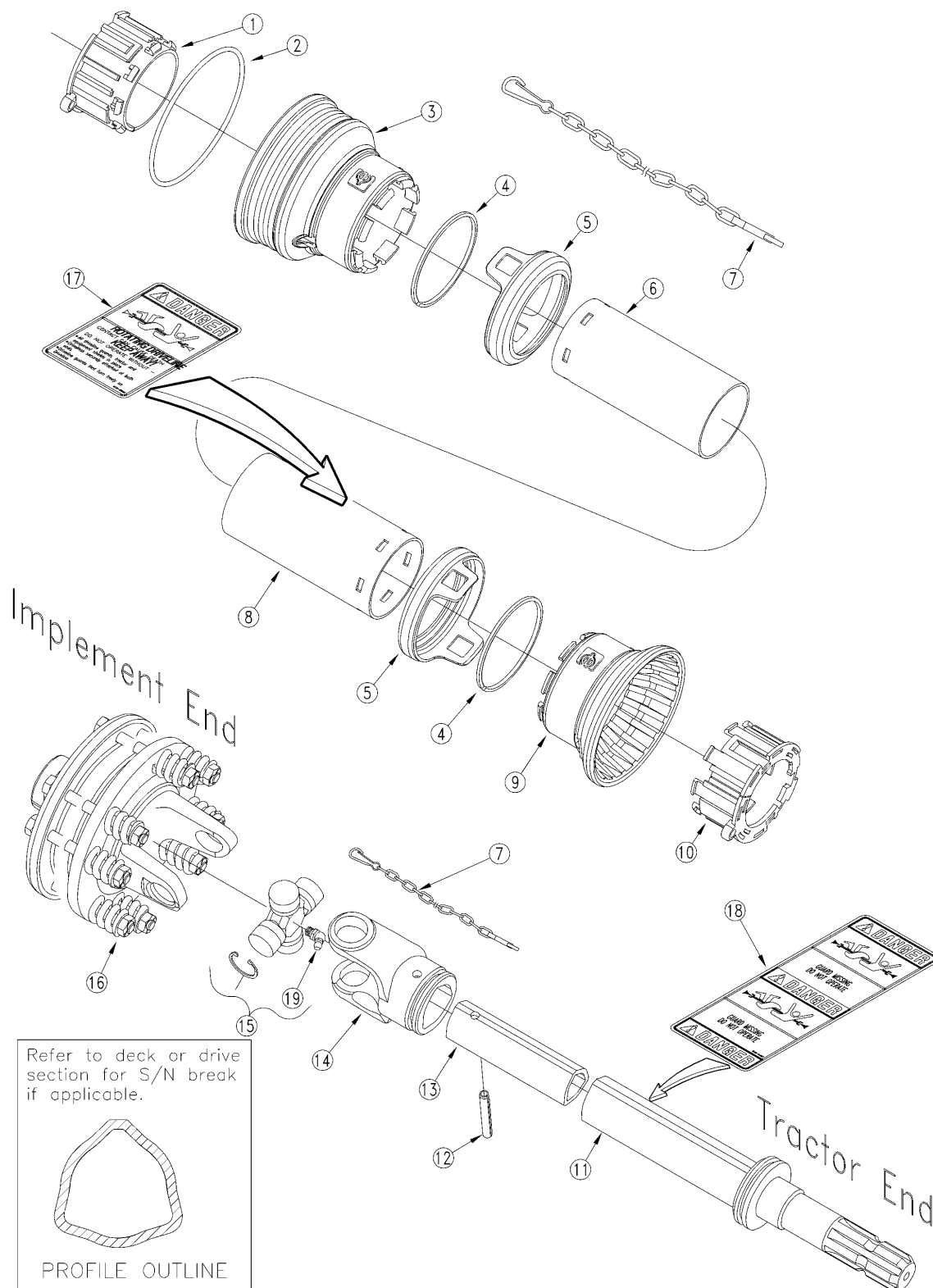
16173

***Driveline Jackshaft (1000 RPM) (826-221C) Eurocardan*****Applies to RCRM3510**

<b>Ref</b>	<b>Part No.</b>	<b>Part Description</b>	<b>Comments</b>	<b>Revision</b>
	dwg16173	Drawing Image Number		
	826-221C	PTO CAT. 4 JACK SHAFT 1000		
1.	1786711	EC TUBE BEARING (INNER TUBE)		
2.	1215733	EC STIFFENING RING		
3.	1885702	EC SHORT CONE		
4.	1215735	EC STOP RING		
5.	1885709	EC SAFETY SLEEVE		
6.	1877079	EC INNER TUBE SHEILD		
7.	044321	DRIVELINE SHIELD SAFETY CHAIN		
8.	1876079	EC OUTER TUBE SHEILD		
9.	1885705	EC EXTRA SHORT CONE (FOR MX)		
10.	1786710	EC TUBE BEARING (OUTER TUBE)		
11.	1896084N327	EC OUTER TUBE ASSY		
12.	6331070	EC 10X70 ROLL PIN		
13.	1526085	EC INNER TUBE (1526084) 840MM		
14.	1706029	EC INNER TUBE YOKE		
15.	1006020	EC CROSS ASSEMBLY		
16.	1406028	EC TORQUE LIMITER, (FD 2)		
17.	818-552C	DECAL DANGER PTO DRIVELINE		
18.	818-540C	DECAL DANGER GUARD MISS PTO		
19.	6560508	EC GREASE ZERK 8X1 45 DEG.		

**Driveline Jackshaft (1000 RPM) (826-259C) Eurcardan**

**Applies to RCRM3596**



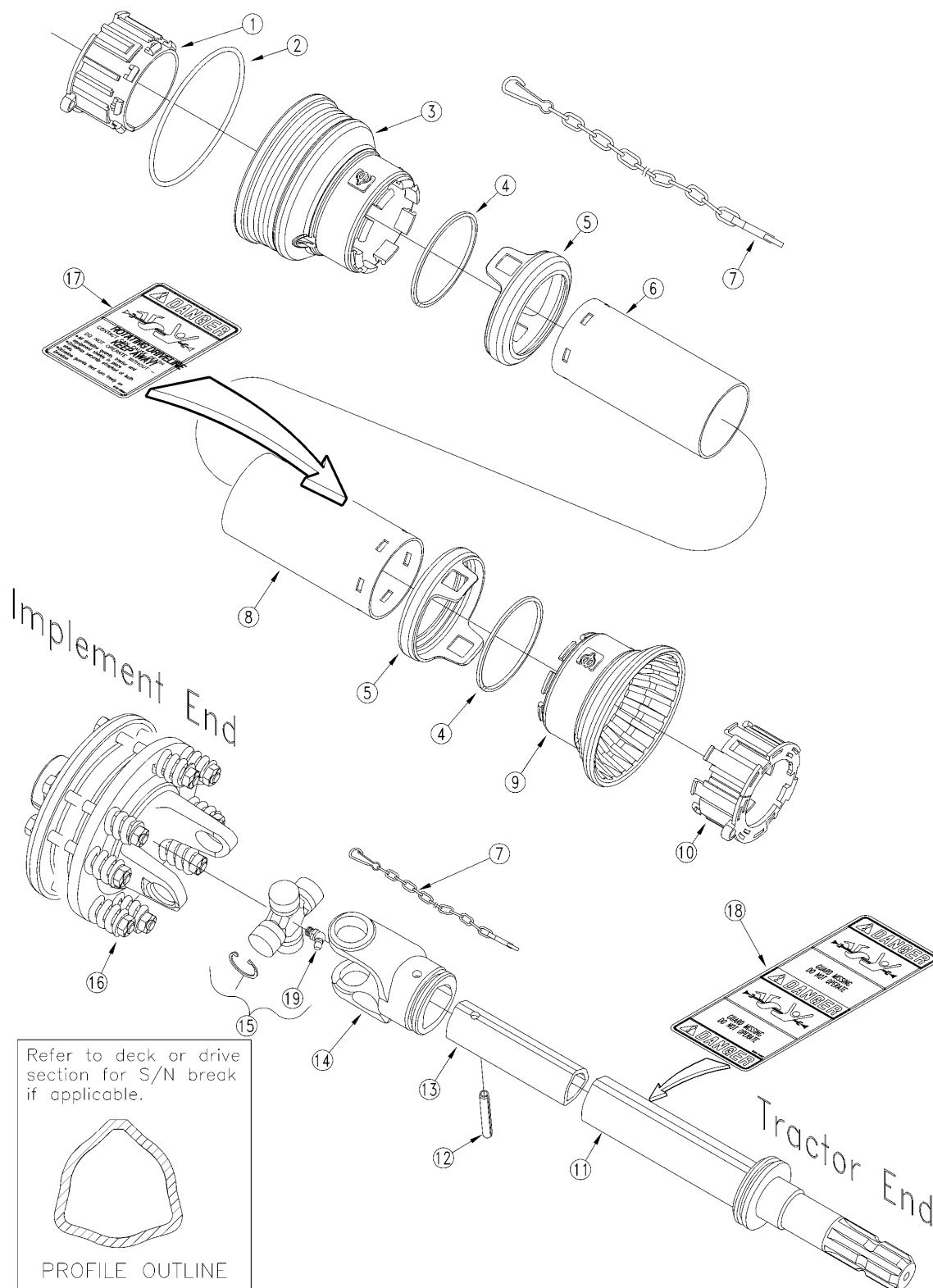
16173

***Driveline Jackshaft (1000 RPM) (826-259C) Eurcardan*****Applies to RCRM3596**

<b>Ref</b>	<b>Part No.</b>	<b>Part Description</b>	<b>Comments</b>	<b>Revision</b>
	dwg16173	Drawing Image Number		
	826-259C	PTO J/S.W/2-PLATE SC CAT4 1000		
1.	1786711	EC TUBE BEARING (INNER TUBE)		
2.	1215733	EC STIFFENING RING		
3.	1885702	EC SHORT CONE		
4.	1215735	EC STOP RING		
5.	1885709	EC SAFETY SLEEVE		
6.	1877064	EC INNER TUBE SHEILD		
7.	044321	DRIVELINE SHIELD SAFETY CHAIN		
8.	1876064	EC OUTER TUBE SHEILD		
9.	1885705	EC EXTRA SHORT CONE (FOR MX)		
10.	1786710	EC TUBE BEARING (OUTER TUBE)		
11.	1896071N327	EC OUTER TUBE ASSY		
12.	6331070	EC 10X70 ROLL PIN		
13.	1526070	EC INNER TUBE (1526084) 840MM		
14.	1706029	EC INNER TUBE YOKE		
15.	1006020	EC CROSS ASSEMBLY		
16.	1406028	EC TORQUE LIMITER, (FD 2)		
17.	818-552C	DECAL DANGER PTO DRIVELINE		
18.	818-540C	DECAL DANGER GUARD MISS PTO		
19.	6560508	EC GREASE ZERK 8X1 45 DEG.		

**Driveline Jackshaft (540 RPM) (826-220C) Eurcardan**

**Applies to RCR3510**



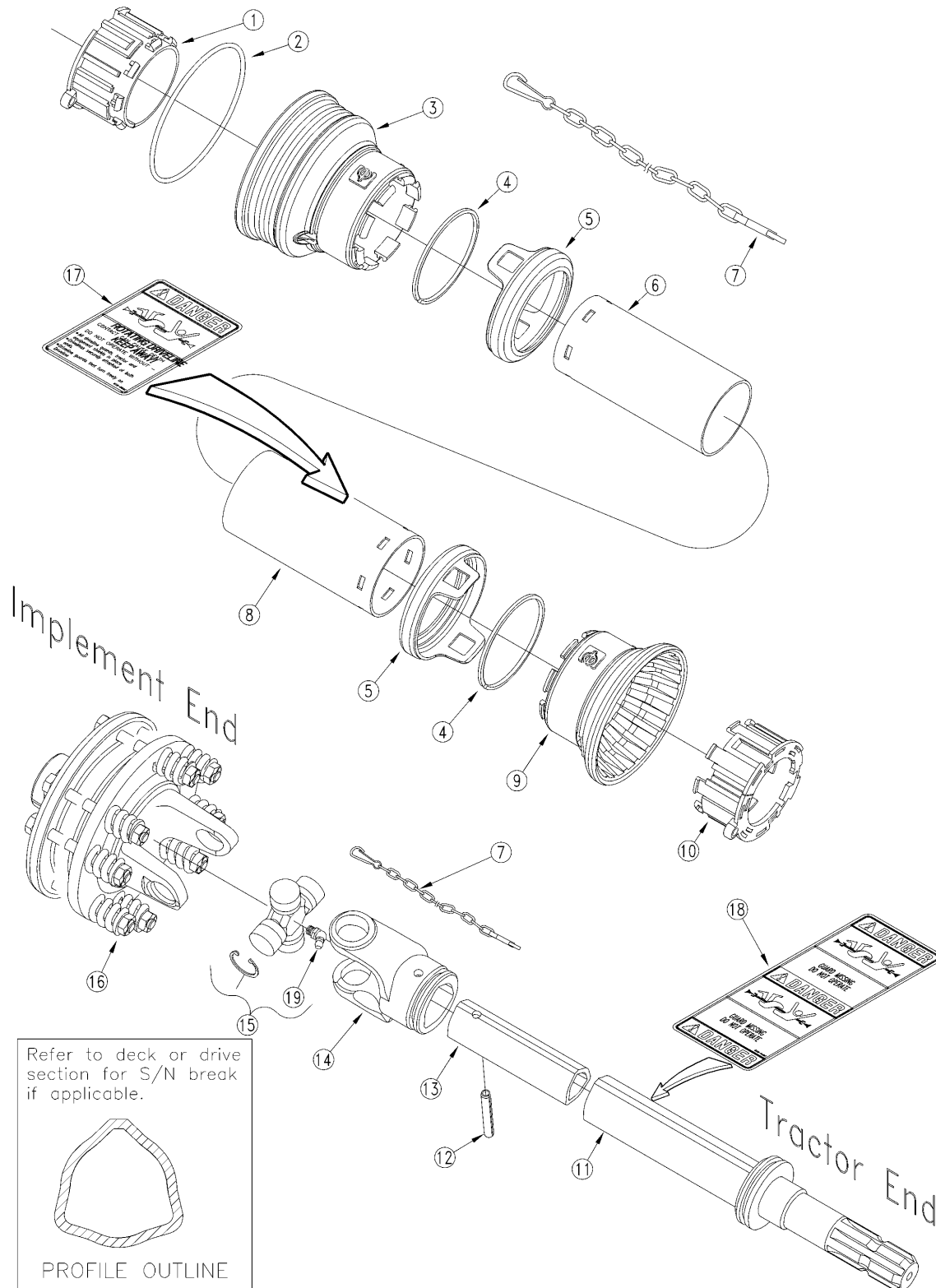
16173

***Driveline Jackshaft (540 RPM) (826-220C) Eurcardan*****Applies to RCR3510**

<b>Ref</b>	<b>Part No.</b>	<b>Part Description</b>	<b>Comments</b>	<b>Revision</b>
	dwg16173	Drawing Image Number		
	826-220C	PTO CAT. 4 JACK SHAFT 540		
1.	1786711	EC TUBE BEARING (INNER TUBE)		
2.	1215733	EC STIFFENING RING		
3.	1885702	EC SHORT CONE		
4.	1215735	EC STOP RING		
5.	1885709	EC SAFETY SLEEVE		
6.	1877079	EC INNER TUBE SHEILD		
7.	044321	DRIVELINE SHIELD SAFETY CHAIN		
8.	1876079	EC OUTER TUBE SHEILD		
9.	1885705	EC EXTRA SHORT CONE (FOR MX)		
10.	1786710	EC TUBE BEARING (OUTER TUBE)		
11.	1896084N327	EC OUTER TUBE ASSY		
12.	6331070	EC 10X70 ROLL PIN		
13.	1526085	EC INNER TUBE (1526084) 840MM		
14.	1706029	EC INNER TUBE YOKE		
15.	1006020	EC CROSS ASSEMBLY		
16.	1446037	EC CLUTCH FD4/6 1 3/4 20 SPL		
17.	818-552C	DECAL DANGER PTO DRIVELINE		
18.	818-540C	DECAL DANGER GUARD MISS PTO		
19.	6560508	EC GREASE ZERK 8X1 45 DEG.		

**Driveline Jackshaft (540 RPM) (826-256C) Eurcardan**

**Applies to RCR3596**



16173

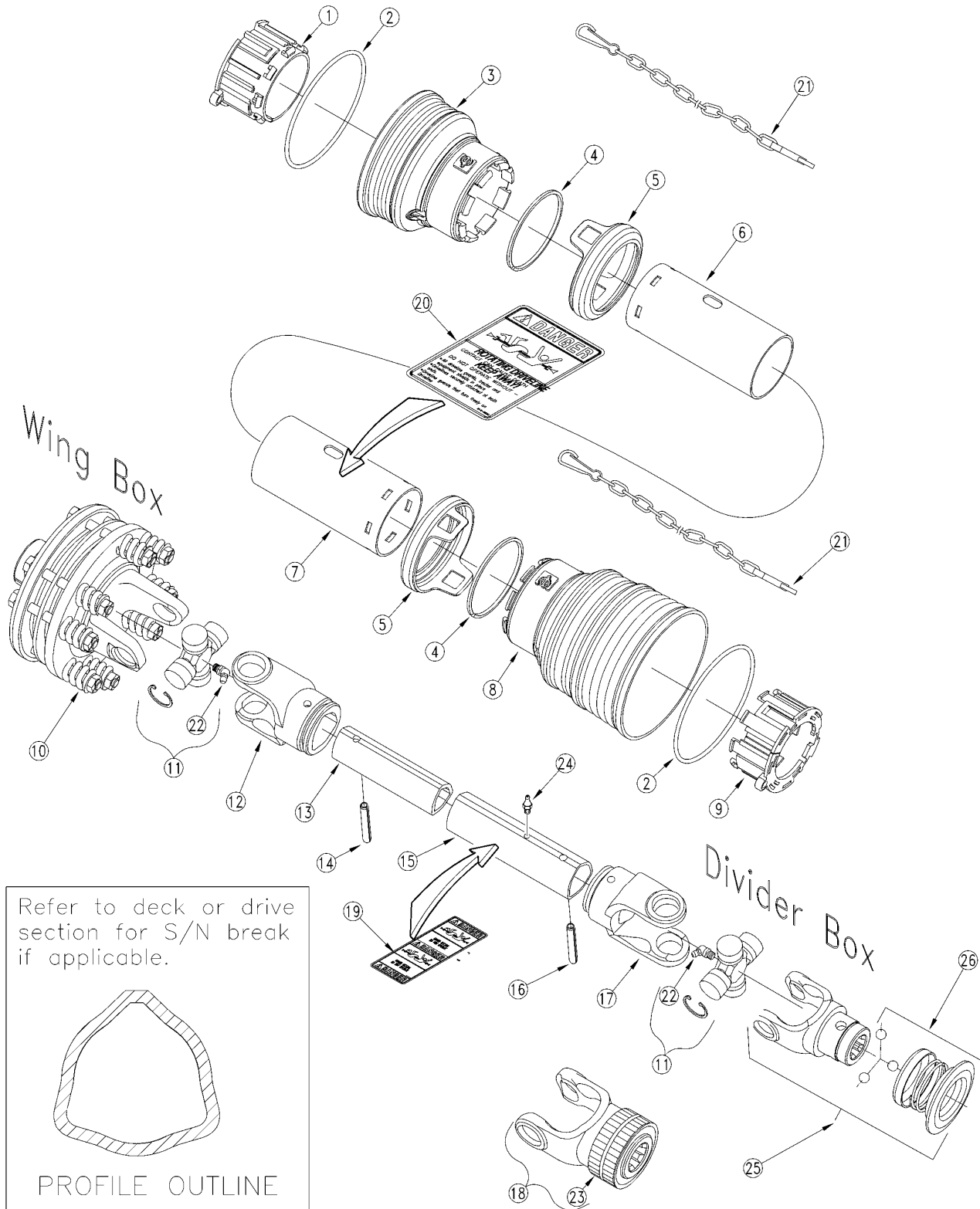


***Driveline Jackshaft (540 RPM) (826-256C) Eurcardan*****Applies to RCR3596**

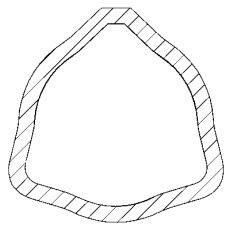
<b>Ref</b>	<b>Part No.</b>	<b>Part Description</b>	<b>Comments</b>	<b>Revision</b>
	dwg16173	Drawing Image Number		
	826-256C	PTO J/S.W/4-PLATE SC CAT4 540		
1.	1786711	EC TUBE BEARING (INNER TUBE)		
2.	1215733	EC STIFFENING RING		
3.	1885702	EC SHORT CONE		
4.	1215735	EC STOP RING		
5.	1885709	EC SAFETY SLEEVE		
6.	1877064	EC INNER TUBE SHEILD		
7.	044321	DRIVELINE SHIELD SAFETY CHAIN		
8.	1876064	EC OUTER TUBE SHEILD		
9.	1885705	EC EXTRA SHORT CONE (FOR MX)		
10.	1786710	EC TUBE BEARING (OUTER TUBE)		
11.	1896069N327	OUT SPLNE TRIANGULAR TBE 690MM		
12.	6331070	EC 10X70 ROLL PIN		
13.	1526070	EC INNER TUBE (1526084) 840MM		
14.	1706029	EC INNER TUBE YOKE		
15.	1006020	EC CROSS ASSEMBLY		
16.	1446037	EC CLUTCH FD4/6 1 3/4 20 SPL		
17.	818-552C	DECAL DANGER PTO DRIVELINE		
18.	818-540C	DECAL DANGER GUARD MISS PTO		
19.	6560508	EC GREASE ZERK 8X1 45 DEG.		

**Driveline Lift Type Cutter 1000 RPM (826-216C) Eurocardan**

**Applies to RCRM3510**



Refer to deck or drive section for S/N break if applicable.



PROFILE OUTLINE

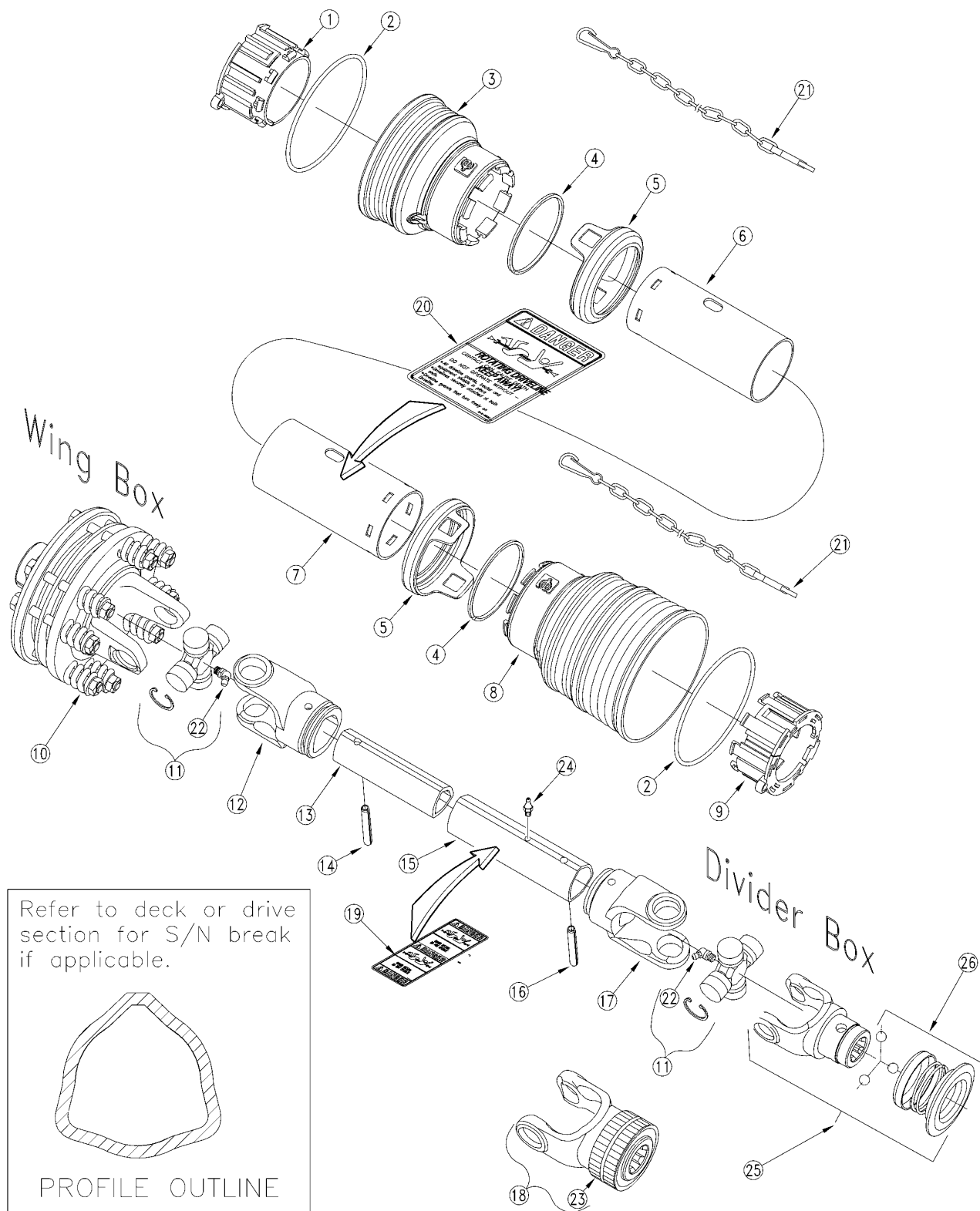
22283

**Driveline Lift Type Cutter 1000 RPM (826-216C) Eurocardan****Applies to RCRM3510**

Ref	Part No.	Part Description	Comments	Revision
	dwg22283	Drawing Image Number		
	826-216C	PTO STD.W/2-PLATE SC CAT4 1000		
1.	1786711	EC TUBE BEARING (INNER TUBE)		
2.	1215733	EC STIFFENING RING		
3.	1885702	EC SHORT CONE		
4.	1215735	EC STOP RING		
5.	1885709	EC SAFETY SLEEVE		
6.	1877067	EC INNER TUBE SHEILD		
7.	1876067	EC OUTER TUBE SHEILD		
8.	1885703	EC STANDARD CONE		
9.	1786710	EC TUBE BEARING (OUTER TUBE)		
10.	1406016	EC CLUTCH FD2/6 1 3/4 20 SPL		
11.	1006020	EC CROSS ASSEMBLY		
12.	1706029	EC INNER TUBE YOKE		
13.	1526077	EC INNER TUBE 770MM		
14.	6331070	EC 10X70 ROLL PIN		
15.	1528077	EC OUTER TUBE 770MM		
16.	6331080	EC 10X80-DIN-1481 O/TUBE R/PIN		
17.	1706027	EC OUTER TUBE YOKE		
18.	1016015	EC YOKE ASSEMBLY (TRACT. END)		
19.	818-540C	DECAL DANGER GUARD MISS PTO		
20.	818-552C	DECAL DANGER PTO DRIVELINE		
21.	044321	DRIVELINE SHIELD SAFETY CHAIN		
22.	6560508	EC GREASE ZERK 8X1 45 DEG.		
23.	1004220	EC TWIST COLLAR KIT (TRT. END)		
24.	6560006	EC GREASE ZERK M6X1 STRAIGHT		
25.	1016017	EC YOKE ASSEMBLY (TRACTOR END)		
26.	1004225	EC PULL COLLAR KIT		

**Driveline Lift Type Cutter 1000 RPM (826-258C) Eurocardan**

Applies to RCRM3596



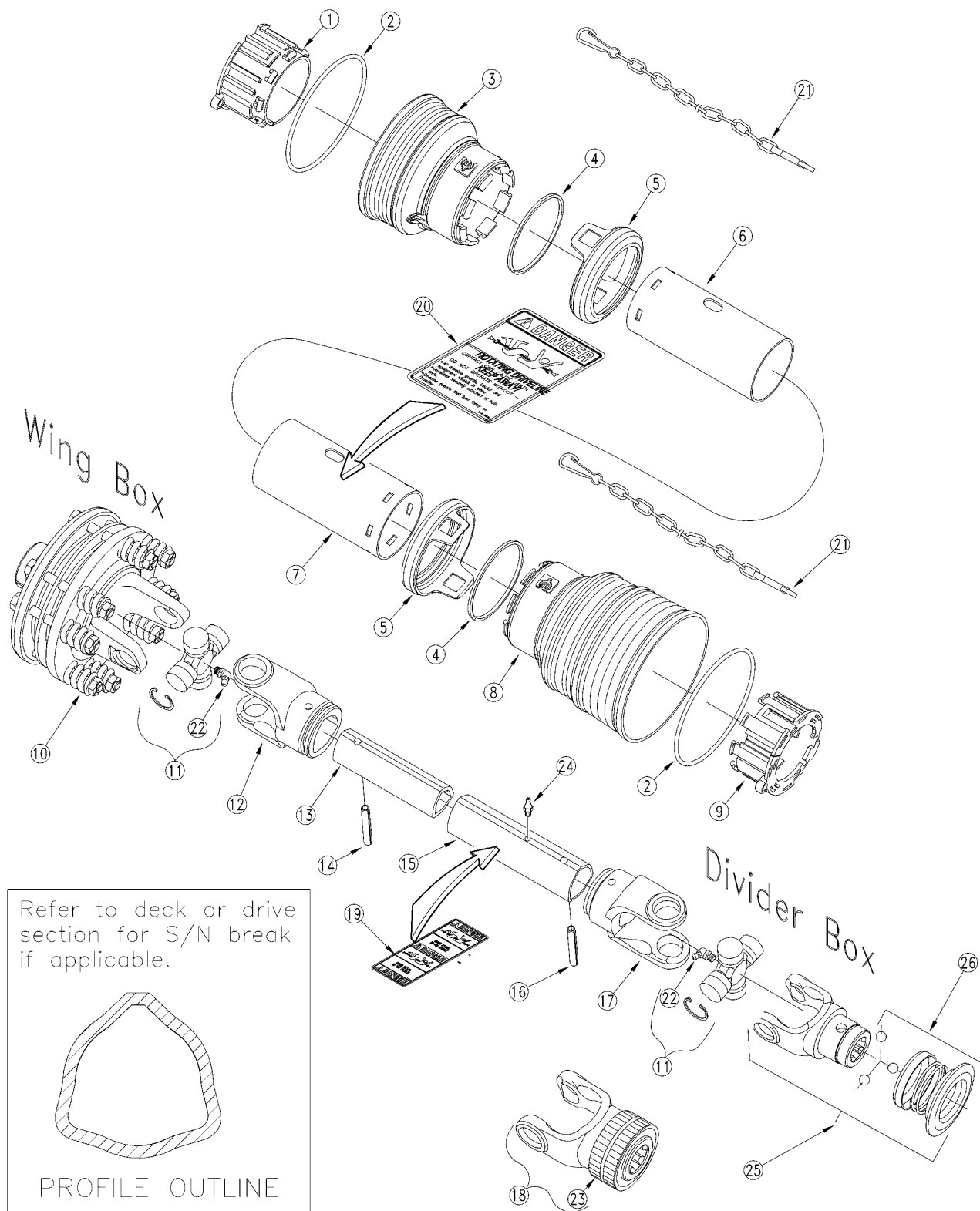
22283

**Driveline Lift Type Cutter 1000 RPM (826-258C) Eurocardan****Applies to RCRM3596**

<b>Ref</b>	<b>Part No.</b>	<b>Part Description</b>	<b>Comments</b>	<b>Revision</b>
	dwg22283	Drawing Image Number		
	826-258C	PTO STD.W/2-PLATE SC CAT4 1000		
1.	1786711	EC TUBE BEARING (INNER TUBE)		
2.	1215733	EC STIFFENING RING		
3.	1885702	EC SHORT CONE		
4.	1215735	EC STOP RING		
5.	1885709	EC SAFETY SLEEVE		
6.	1877052	EC INNER TUBE SHEILD		
7.	1876052	EC OUTER TUBE SHEILD		
8.	1885703	EC STANDARD CONE		
9.	1786710	EC TUBE BEARING (OUTER TUBE)		
10.	1406016	EC CLUTCH FD2/6 1 3/4 20 SPL		
11.	1006020	EC CROSS ASSEMBLY		
12.	1706029	EC INNER TUBE YOKE		
13.	1526062	EC INNER TUBE (1526084) 620MM		
14.	6331070	EC 10X70 ROLL PIN		
15.	1528062	EC OUTER TUBE (1528084) 620MM		
16.	6331080	EC 10X80-DIN-1481 O/TUBE R/PIN		
17.	1706027	EC OUTER TUBE YOKE		
18.	1016015	EC YOKE ASSEMBLY (TRACT. END)		
19.	818-540C	DECAL DANGER GUARD MISS PTO		
20.	818-552C	DECAL DANGER PTO DRIVELINE		
21.	044321	DRIVELINE SHIELD SAFETY CHAIN		
22.	6560508	EC GREASE ZERK 8X1 45 DEG.		
23.	1004220	EC TWIST COLLAR KIT (TRT. END)		
24.	6560006	EC GREASE ZERK M6X1 STRAIGHT		
25.	1016017	EC YOKE ASSEMBLY (TRACTOR END)		
26.	1004225	EC PULL COLLAR KIT		

**Driveline Lift Type Cutter 540 RPM (826-215C) Eurocardan**

Applies to RCR3510, RCR3596



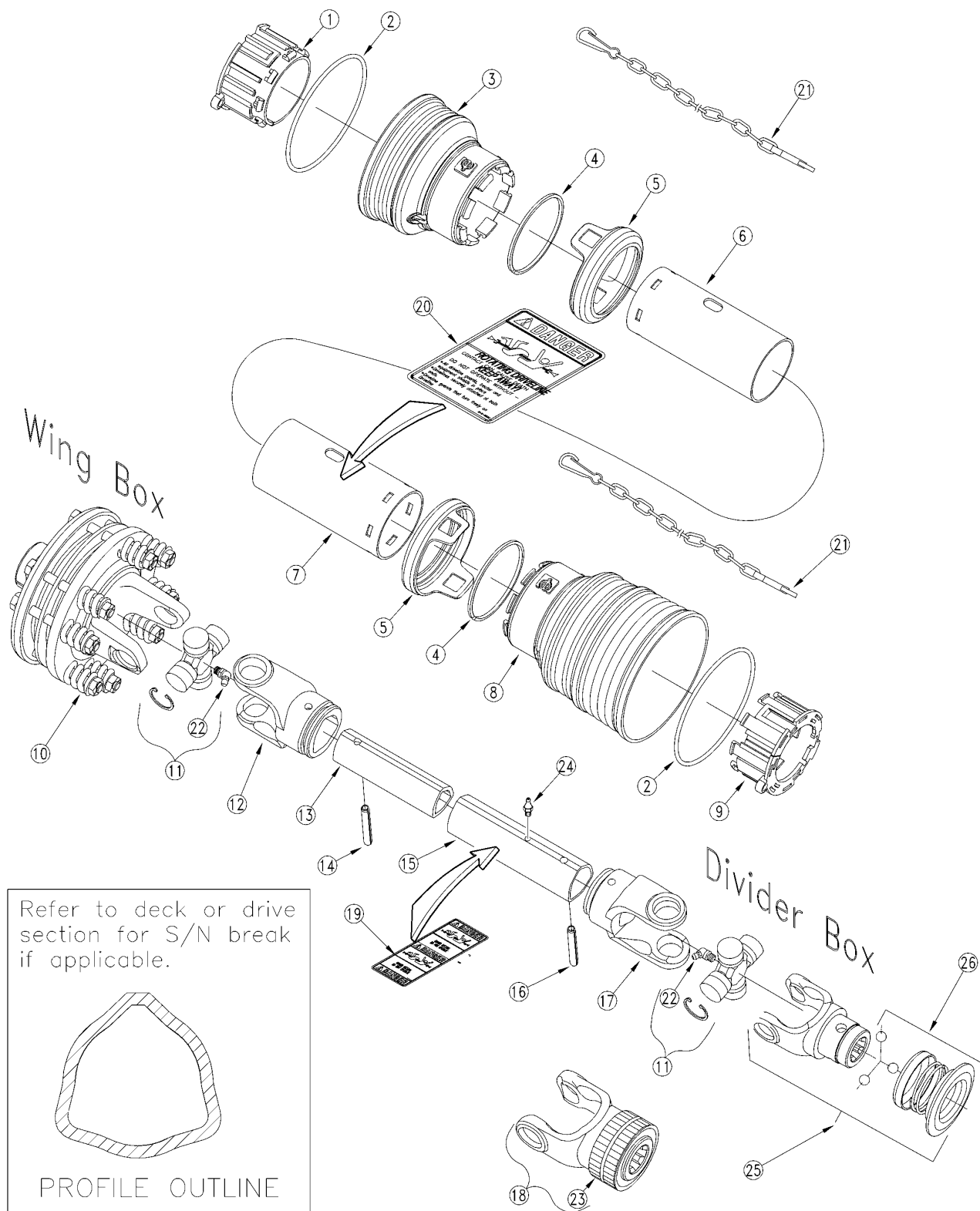
22283

**Driveline Lift Type Cutter 540 RPM (826-215C) Eurocardan****Applies to RCR3510, RCR3596**

Ref	Part No.	Part Description	Comments	Revision
	dwg22283	Drawing Image Number		
	826-215C	PTO STD.W/4-PLATE SC CAT4 540		
1.	1786711	EC TUBE BEARING (INNER TUBE)		
2.	1215733	EC STIFFENING RING		
3.	1885702	EC SHORT CONE		
4.	1215735	EC STOP RING		
5.	1885709	EC SAFETY SLEEVE		
6.	1877067	EC INNER TUBE SHEILD		
7.	1876067	EC OUTER TUBE SHEILD		
8.	1885703	EC STANDARD CONE		
9.	1786710	EC TUBE BEARING (OUTER TUBE)		
10.	1446016	EC CLUTCH FD4/6 1 3/4 20 SPL		
11.	1006020	EC CROSS ASSEMBLY		
12.	1706029	EC INNER TUBE YOKE		
13.	1526077	EC INNER TUBE 770MM		
14.	6331070	EC 10X70 ROLL PIN		
15.	1528077	EC OUTER TUBE 770MM		
16.	6331080	EC 10X80-DIN-1481 O/TUBE R/PIN		
17.	1706027	EC OUTER TUBE YOKE		
18.	1016012	YOKE ASSEMBLY PULL TYPE		
18.	1016010	RPBY 1016012		
19.	818-540C	DECAL DANGER GUARD MISS PTO		
20.	818-552C	DECAL DANGER PTO DRIVELINE		
21.	044321	DRIVELINE SHIELD SAFETY CHAIN		
22.	6560508	EC GREASE ZERK 8X1 45 DEG.		
23.	1004220	EC TWIST COLLAR KIT (TRT. END)	Shown	
23.	1004225	EC PULL COLLAR KIT		
24.	6560006	EC GREASE ZERK M6X1 STRAIGHT		
25.	1016013	EC YOKE ASSEMBLY (TRACTOR END)		
26.	1004225	EC PULL COLLAR KIT		

**Driveline Lift Type Cutter 540 RPM (826-255C) Eurocardan**

**Applies to RCR3596**



22283

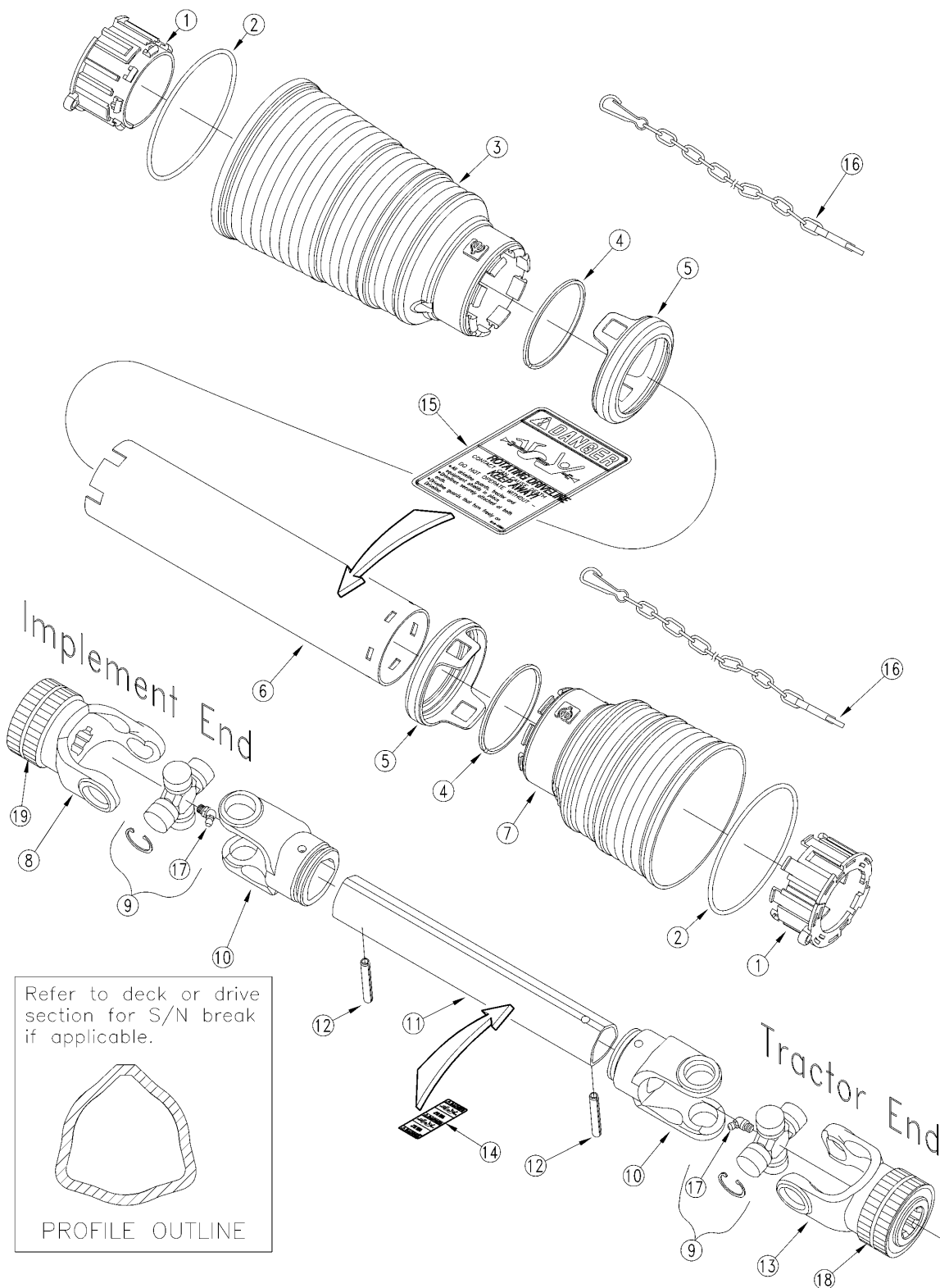


**Driveline Lift Type Cutter 540 RPM (826-255C) Eurocardan****Applies to RCR3596**

Ref	Part No.	Part Description	Comments	Revision
	dwg22283	Drawing Image Number		
	826-255C	PTO STD.W/4-PLATE SC CAT4 540		
1.	1786711	EC TUBE BEARING (INNER TUBE)		
2.	1215733	EC STIFFENING RING		
3.	1885702	EC SHORT CONE		
4.	1215735	EC STOP RING		
5.	1885709	EC SAFETY SLEEVE		
6.	1877052	EC INNER TUBE SHEILD		
7.	1876052	EC OUTER TUBE SHEILD		
8.	1885703	EC STANDARD CONE		
9.	1786710	EC TUBE BEARING (OUTER TUBE)		
10.	1446016	EC CLUTCH FD4/6 1 3/4 20 SPL		
11.	1006020	EC CROSS ASSEMBLY		
12.	1706029	EC INNER TUBE YOKE		
13.	1526062	EC INNER TUBE (1526084) 620MM		
14.	6331070	EC 10X70 ROLL PIN		
15.	1528084	EC 840MM OUT. STOCK LENGTH TB.		
16.	6331080	EC 10X80-DIN-1481 O/TUBE R/PIN		
17.	1706027	EC OUTER TUBE YOKE		
18.	1016012	YOKE ASSEMBLY PULL TYPE		
18.	1016010	RPBY 1016012		
19.	818-540C	DECAL DANGER GUARD MISS PTO		
20.	818-552C	DECAL DANGER PTO DRIVELINE		
21.	044321	DRIVELINE SHIELD SAFETY CHAIN		
22.	6560508	EC GREASE ZERK 8X1 45 DEG.		
23.	1004220	EC TWIST COLLAR KIT (TRT. END)	Shown	
23.	1004225	EC PULL COLLAR KIT		
24.	6560006	EC GREASE ZERK M6X1 STRAIGHT		
25.	1016013	EC YOKE ASSEMBLY		
26.	1004225	EC PULL COLLAR KIT		

**Driveline Pull Type Conv. 1000 RPM (826-223C) Eurocardan**

Applies to RCRM3596



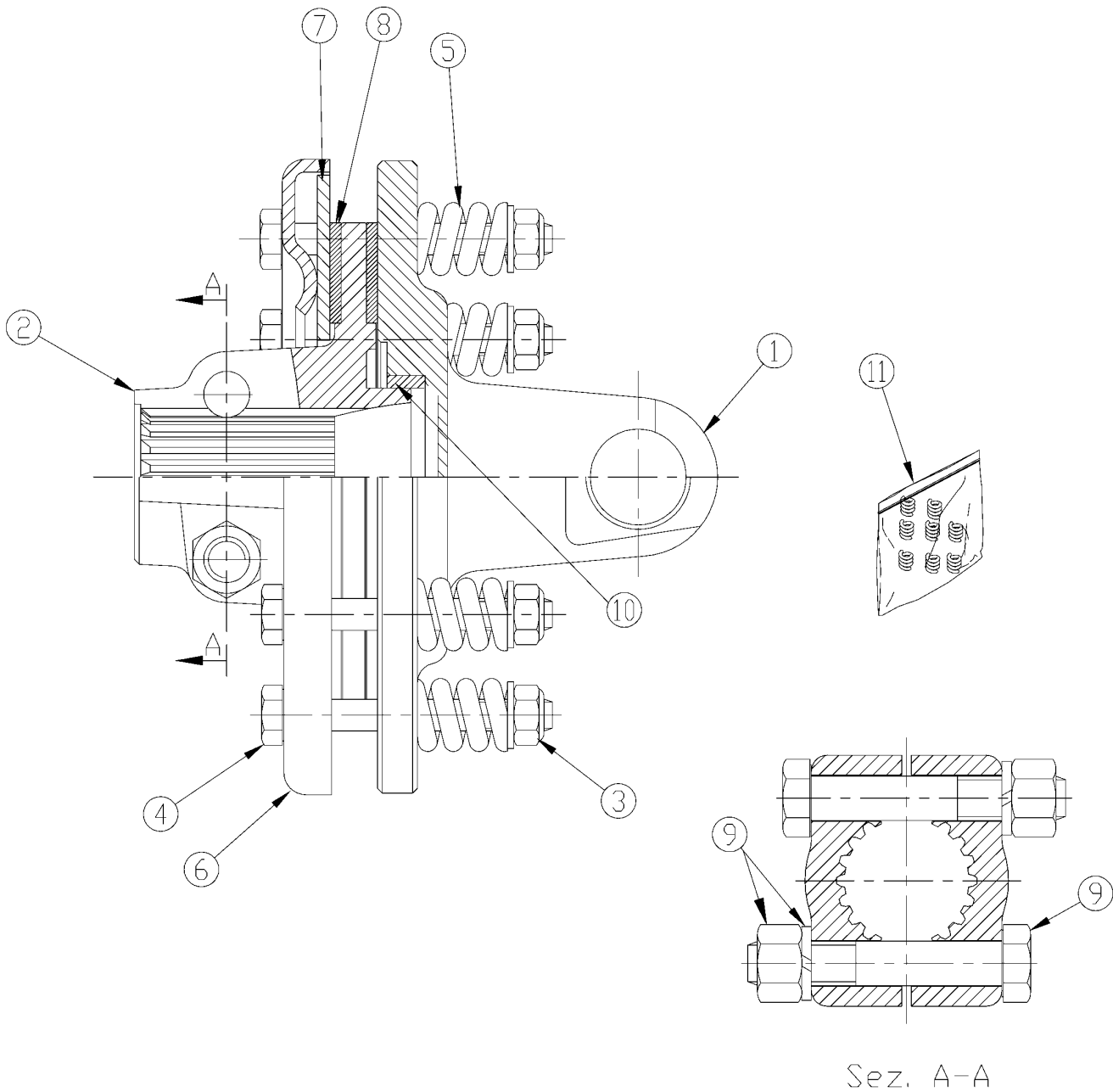
16370

**Driveline Pull Type Conv. 1000 RPM (826-223C) Eurocardan****Applies to RCRM3596**

<b>Ref</b>	<b>Part No.</b>	<b>Part Description</b>	<b>Comments</b>	<b>Revision</b>
	dwg16370	Drawing Image Number		
	826-223C	PTO CAT. 4 X 22 FIXED 1000		
1.	1786710	EC TUBE BEARING (OUTER TUBE)		
2.	1215733	EC STIFFENING RING		
3.	1885704	EC LONG CONE		
4.	1215735	EC STOP RING		
5.	1885709	EC SAFETY SLEEVE		
6.	1876034D	EC OUTER TUBE 340MM		
7.	1885703	EC STANDARD CONE		
8.	1116010	EC YOKE ASSY 1 3/8-6(IMP. END)		
9.	1006020	EC CROSS ASSEMBLY		
10.	1706027	EC OUTER TUBE YOKE		
11.	1528044D	EC OUTER TUBE		
12.	6331080	EC 10X80-DIN-1481 O/TUBE R/PIN		
13.	1016015	EC YOKE ASSEMBLY (TRACT. END)		
14.	818-540C	DECAL DANGER GUARD MISS PTO		
15.	818-552C	DECAL DANGER PTO DRIVELINE		
16.	044321	DRIVELINE SHIELD SAFETY CHAIN		
17.	6560508	EC GREASE ZERK 8X1 45 DEG.		
18.	1004220	EC TWIST COLLAR KIT (TRT. END)		
19.	1004224	EC TWIST COLLAR KIT (IMP. END)		

# Driveline Slip Clutch (1406028) Eurocarda

Applies to RCRM3510



22375

***Driveline Slip Clutch (1406028) Eurocarda***

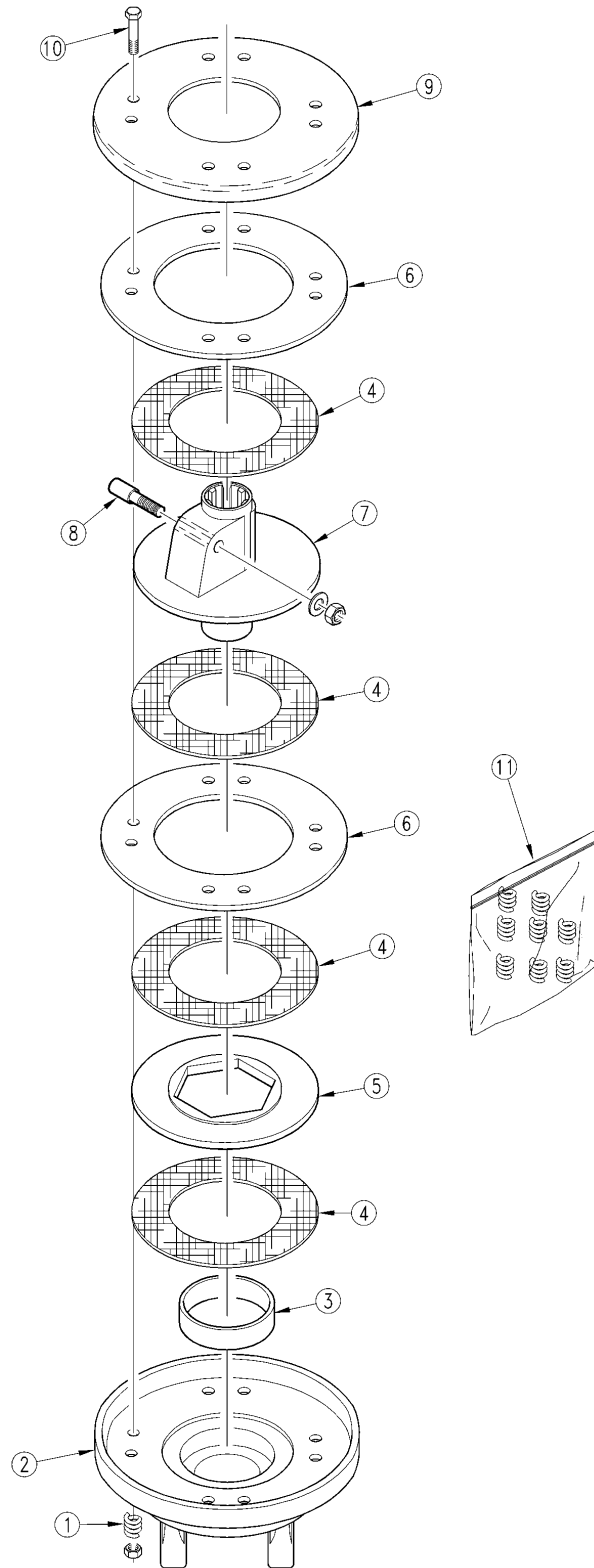
---

**Applies to RCRM3510**

<b>Ref</b>	<b>Part No.</b>	<b>Part Description</b>	<b>Comments</b>	<b>Revision</b>
	dwg22375	Drawing Image Number		
	1406028	EC TORQUE LIMITER, (FD 2)		
1.	1706033	EC CLUTCH YOKE W/FLANGE		
2.	1706314	FD2 HUB 1 3/4 WITH FLANGE		
3.	6411010	REP BY 803-279C		
4.	6001085	EC BOLT (M10X85)		
5.	1215012	RPBY 330-297A		
6.	1138007	EC PRESSURE DISK		
7.	1138008	EC INNER DISK		
8.	1808010	EC CLUTCH LINING RING		
9.	6761480	EC BOLT		
10.	1705009	EC CLUTCH BUSHING		
11.	330-297A	SV KIT, EC SLIP CLUTCH SPRING		

# Driveline Slip Clutch (1446016) Eurocardan

Applies to RCR3510



15521

***Driveline Slip Clutch (1446016) Eurocardan***

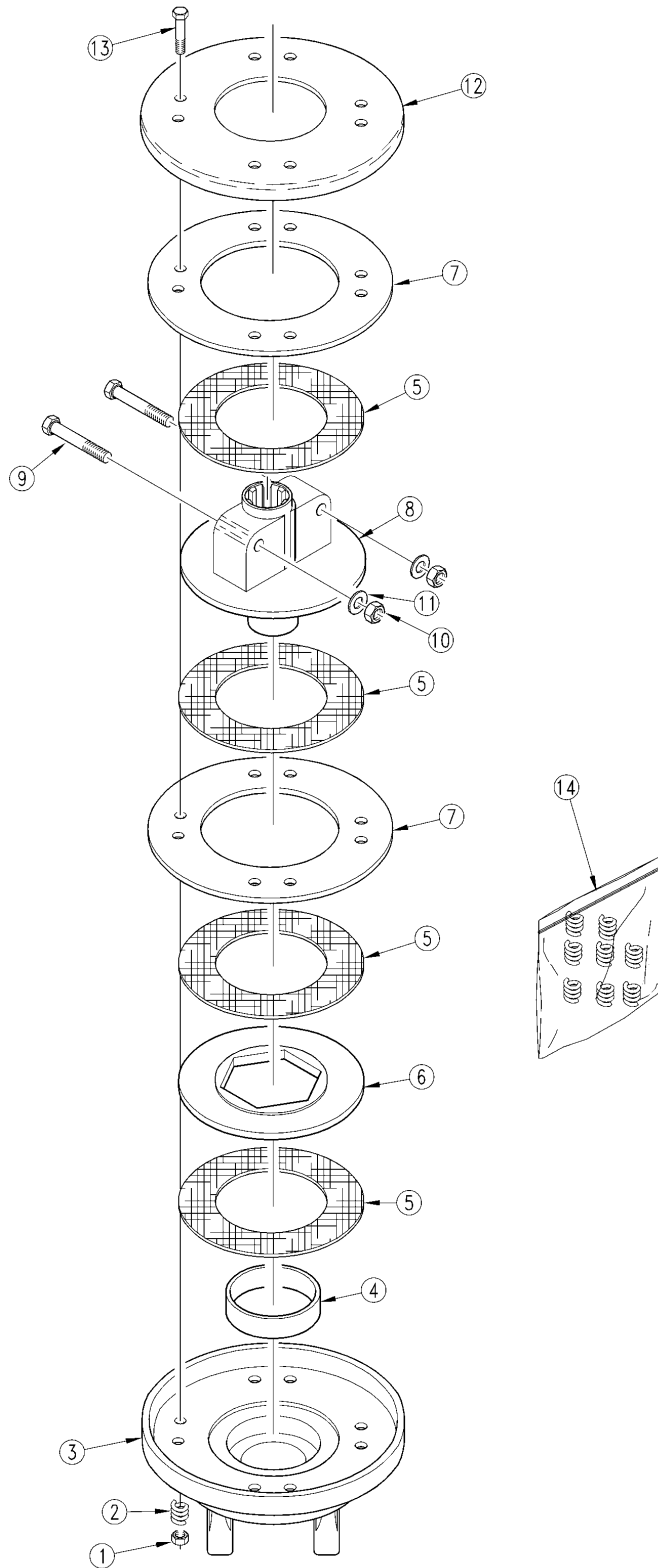
---

**Applies to RCR3510**

<b>Ref</b>	<b>Part No.</b>	<b>Part Description</b>	<b>Comments</b>	<b>Revision</b>
	dwg15521	Drawing Image Number		
	1446016	EC CLUTCH FD4/6 1 3/4 20 SPL		
1.	1215012	RPBY 330-297A		
2.	1706033	EC CLUTCH YOKE W/FLANGE		
3.	1705009	EC CLUTCH BUSHING		
4.	1808010	EC CLUTCH LINING RING		
5.	1708034	EC CLUTCH MIDDLE DISK		
6.	1138008	EC INNER DISK		
7.	1708016	EC HUB WITH FLANGE		
8.	6821483	EC CONICAL DOG KIT REPLACEMENT		
9.	1138007	EC PRESSURE DISK		
10.	6691010	EC BOLT & SCREW NUT KIT REPL.		
11.	330-297A	SV KIT, EC SLIP CLUTCH SPRING	Contains 8 Springs	

# Driveline Slip Clutch (1446037) Eurocardan

Applies to RCR3596



16561



***Driveline Slip Clutch (1446037) Eurocardan***

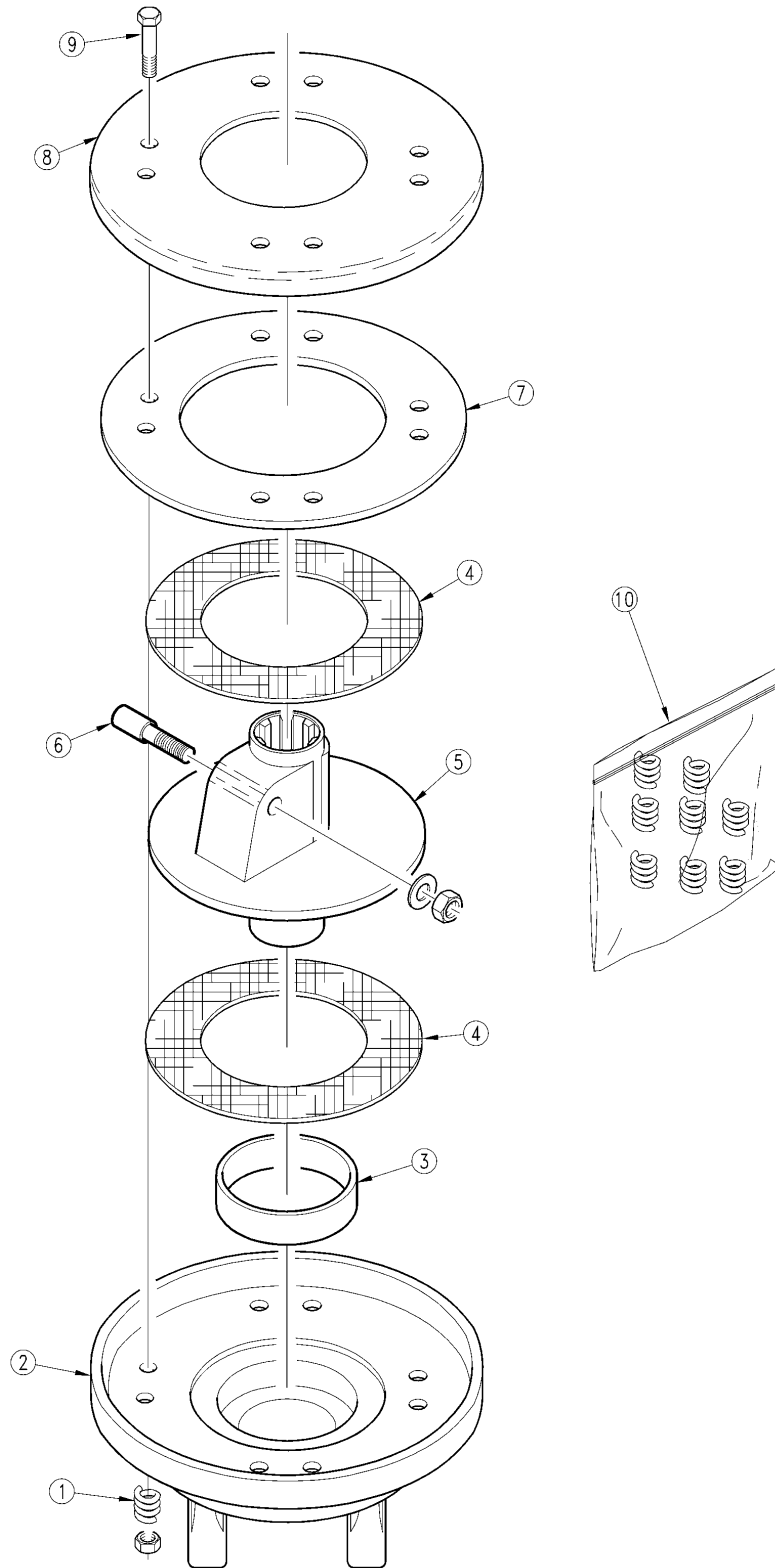
---

**Applies to RCR3596**

<b>Ref</b>	<b>Part No.</b>	<b>Part Description</b>	<b>Comments</b>	<b>Revision</b>
	dwg16561	Drawing Image Number		
	1446037	EC CLUTCH FD4/6 1 3/4 20 SPL		
1.	803-279C	NUT HEX M10X1.5 PLT		
2.	1215012	RPBY 330-297A		
3.	1706033	EC CLUTCH YOKE W/FLANGE		
4.	1705009	EC CLUTCH BUSHING		
5.	1808010	EC CLUTCH LINING RING		
6.	1708034	EC CLUTCH MIDDLE DISK		
7.	1138008	EC INNER DISK		
8.	1706313	EC HUB WITH FLANGE		
9.	6141480	EC BOLT (M14X80)		
10.	6410114	EC SCREW NUT (M14)		
11.	6412114	EC WASHER (d14)		
12.	1138007	EC PRESSURE DISK		
13.	6001010	EC BOLT (M10X100)		
14.	330-297A	SV KIT, EC SLIP CLUTCH SPRING	Contains 8 Springs	

# Driveline Slip Clutch 1000 RPM (1406016) Eurocardan

Applies to RCRM3510



15523

***Driveline Slip Clutch 1000 RPM (1406016) Eurocardan***

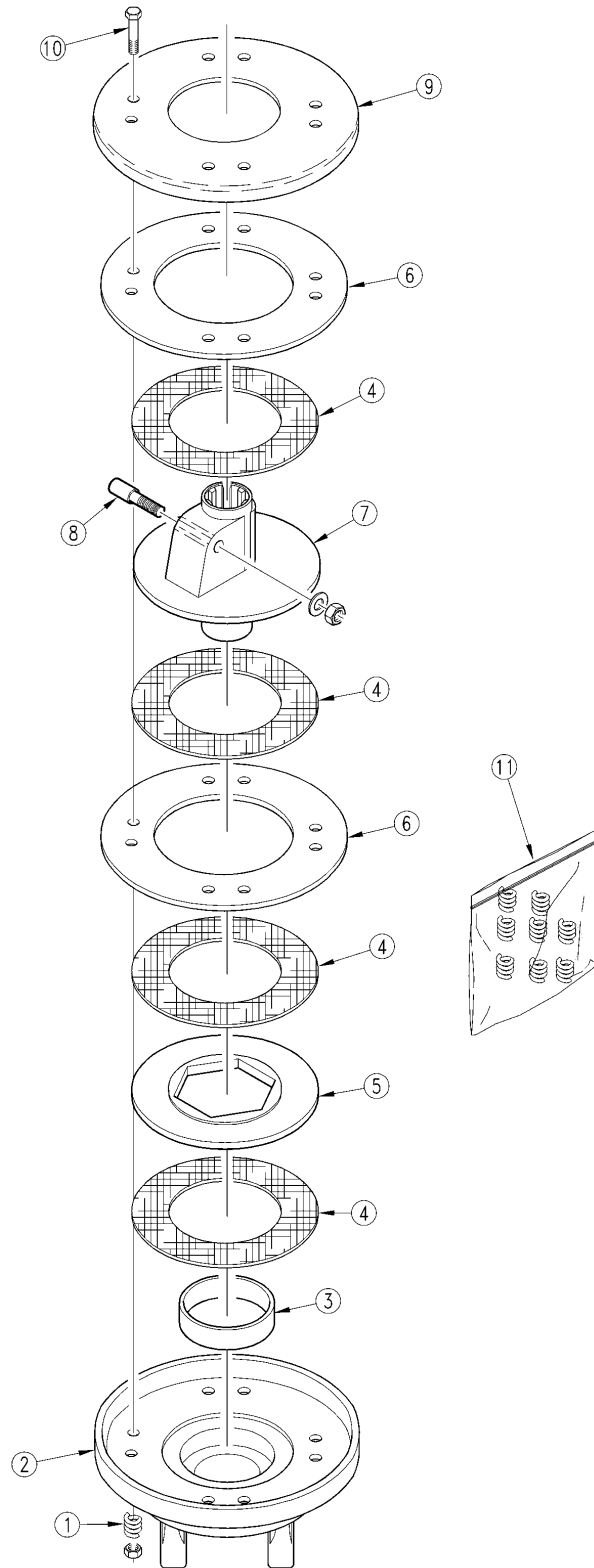
---

**Applies to RCRM3510**

<b>Ref</b>	<b>Part No.</b>	<b>Part Description</b>	<b>Comments</b>	<b>Revision</b>
	dwg15523	Image Reference: 15523		
	1406016	EC CLUTCH FD2/6 1 3/4 20 SPL		
1.	1215012	RPBY 330-297A		
2.	1706033	EC CLUTCH YOKE W/FLANGE		
3.	1705009	EC CLUTCH BUSHING		
4.	1808010	EC CLUTCH LINING RING		
5.	1708017	EC HUB WITH FLANGE		
6.	6821483	EC CONICAL DOG KIT REPLACEMENT		
7.	1138008	EC INNER DISK		
8.	1138007	EC PRESSURE DISK		
9.	6691080	EC COMPLETE BOLT		
10.	330-297A	SV KIT, EC SLIP CLUTCH SPRING		

**Driveline Slip Clutch 540 RPM (1446016) Eurocardan**

**Applies to RCR3596**



15521

***Driveline Slip Clutch 540 RPM (1446016) Eurocardan***

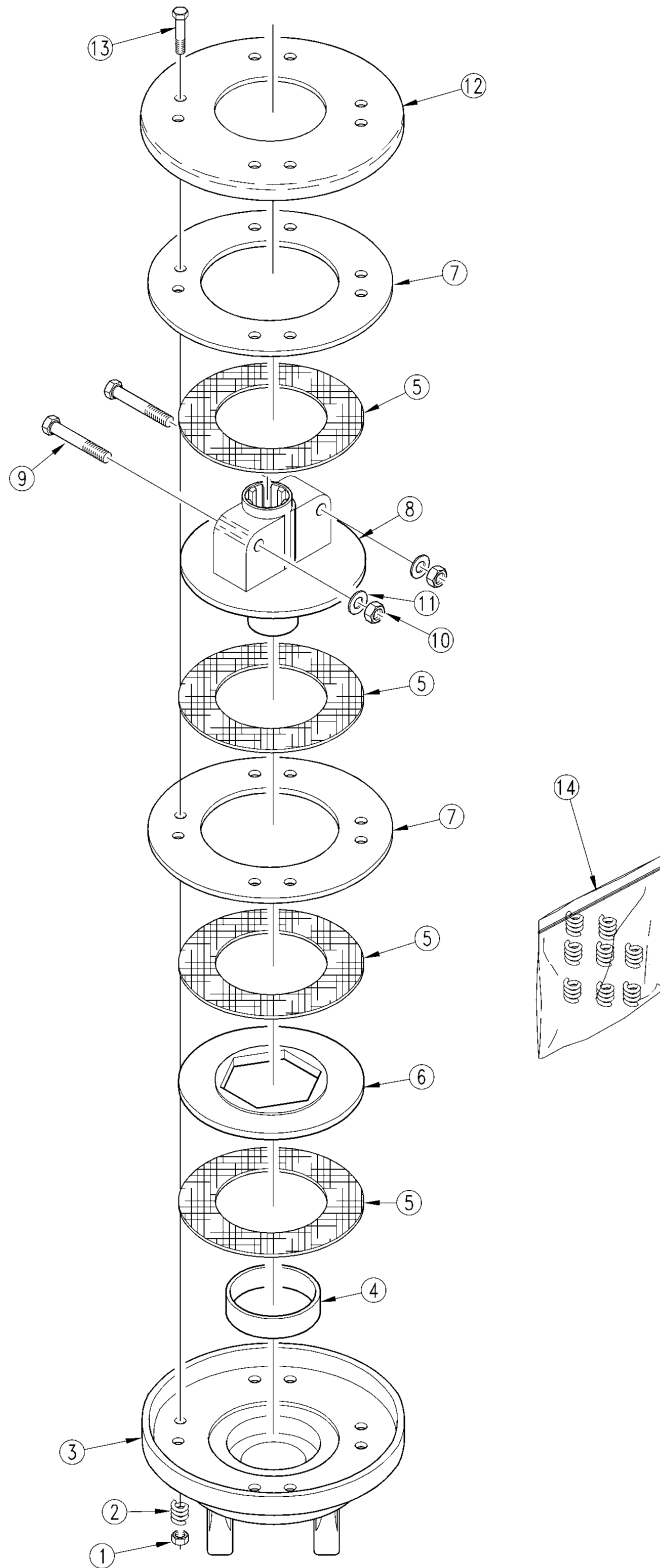
---

**Applies to RCR3596**

<b>Ref</b>	<b>Part No.</b>	<b>Part Description</b>	<b>Comments</b>	<b>Revision</b>
	dwg15521	Drawing Image Number		
	1446016	EC CLUTCH FD4/6 1 3/4 20 SPL		
1.	1215012	RPBY 330-297A		
2.	1706033	EC CLUTCH YOKE W/FLANGE		
3.	1705009	EC CLUTCH BUSHING		
4.	1808010	EC CLUTCH LINING RING		
5.	1708034	EC CLUTCH MIDDLE DISK		
6.	1138008	EC INNER DISK		
7.	1708016	EC HUB WITH FLANGE		
8.	6821483	EC CONICAL DOG KIT REPLACEMENT		
9.	1138007	EC PRESSURE DISK		
10.	6691010	EC BOLT & SCREW NUT KIT REPL.		
11.	330-297A	SV KIT, EC SLIP CLUTCH SPRING		

**Driveline Slip Clutch 540 RPM (1446037) Eurocardan**

**Applies to RCR3510**



16561

***Driveline Slip Clutch 540 RPM (1446037) Eurocardan***

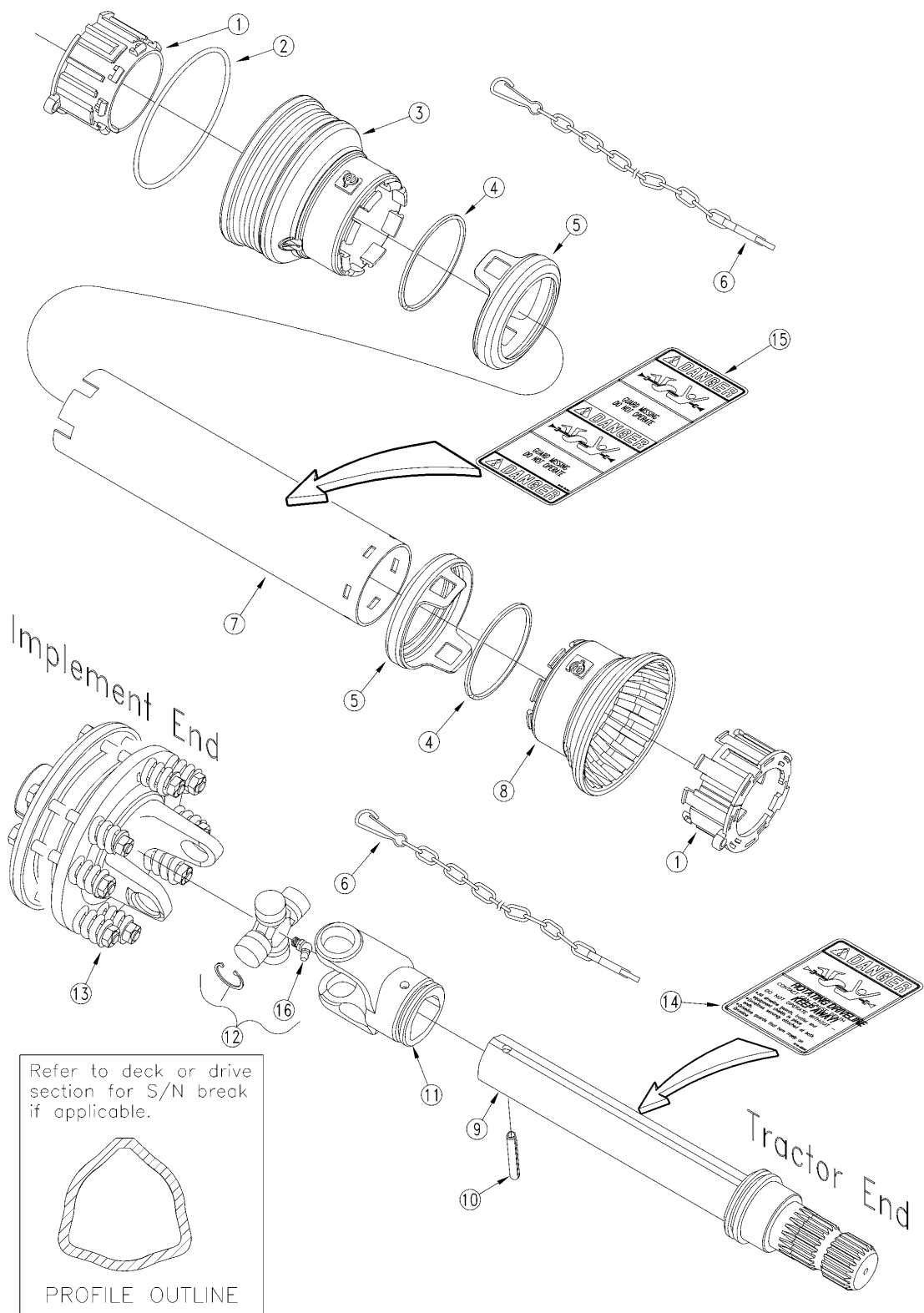
---

**Applies to RCR3510**

<b>Ref</b>	<b>Part No.</b>	<b>Part Description</b>	<b>Comments</b>	<b>Revision</b>
	dwg16561	Drawing Image Number		
	1446037	EC CLUTCH FD4/6 1 3/4 20 SPL		
1.	803-279C	NUT HEX M10X1.5 PLT		
2.	1215012	RPBY 330-297A		
3.	1706033	EC CLUTCH YOKE W/FLANGE		
4.	1705009	EC CLUTCH BUSHING		
5.	1808010	EC CLUTCH LINING RING		
6.	1708034	EC CLUTCH MIDDLE DISK		
7.	1138008	EC INNER DISK		
8.	1706313	EC HUB WITH FLANGE		
9.	6141480	EC BOLT (M14X80)		
10.	6410114	EC SCREW NUT (M14)		
11.	6412114	EC WASHER (d14)		
12.	1138007	EC PRESSURE DISK		
13.	6001010	EC BOLT (M10X100)		
14.	330-297A	SV KIT, EC SLIP CLUTCH SPRING		

**Driveline Stub Shaft Pull Type 1000 RPM (826-226C) Eurocardan**

**Applies to RCRM3510, RCRM3596**



15995

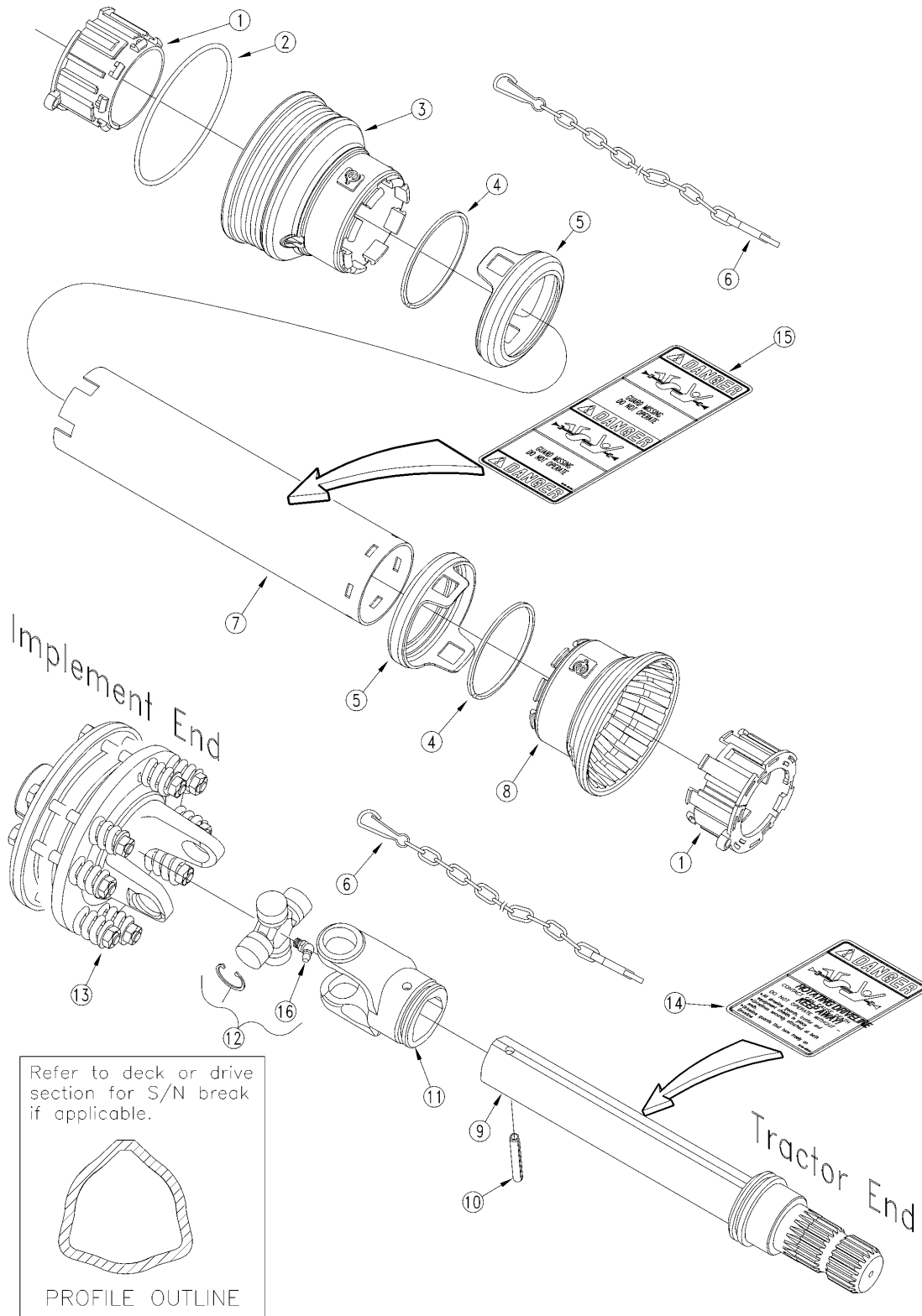


***Driveline Stub Shaft Pull Type 1000 RPM (826-226C) Eurocardan*****Applies to RCRM3510, RCRM3596**

<b>Ref</b>	<b>Part No.</b>	<b>Part Description</b>	<b>Comments</b>	<b>Revision</b>
	dwg15995	Drawing Image Number		
	826-226C	PTO W/STUB SHAFT/SC 1000 1 3/4		
1.	1786710	EC TUBE BEARING (OUTER TUBE)		
2.	1215733	EC STIFFENING RING		
3.	1885702	EC SHORT CONE		
4.	1215735	EC STOP RING		
5.	1885709	EC SAFETY SLEEVE		
6.	044321	DRIVELINE SHIELD SAFETY CHAIN		
7.	1876025D	EC OUTER TUBE SHEILD		
8.	1885705	EC EXTRA SHORT CONE (FOR MX)		
9.	1896028S821	EC OUTER TUBE ASSY (HRDND)		Rev. 2
9.	1896028D821	EC OUTER TUBE ASSY		Rev. 1
10.	6331080	EC 10X80-DIN-1481 O/TUBE R/PIN		
11.	1706027	EC OUTER TUBE YOKE		
12.	1006020	EC CROSS ASSEMBLY		
13.	1406016	EC CLUTCH FD2/6 1 3/4 20 SPL		
14.	818-552C	DECAL DANGER PTO DRIVELINE		
15.	818-540C	DECAL DANGER GUARD MISS PTO		
16.	6560508	EC GREASE ZERK 8X1 45 DEG.		

# Driveline Stub Shaft Pull Type 540 RPM (826-225C) Eurocardan

Applies to RCR3510, RCR3596



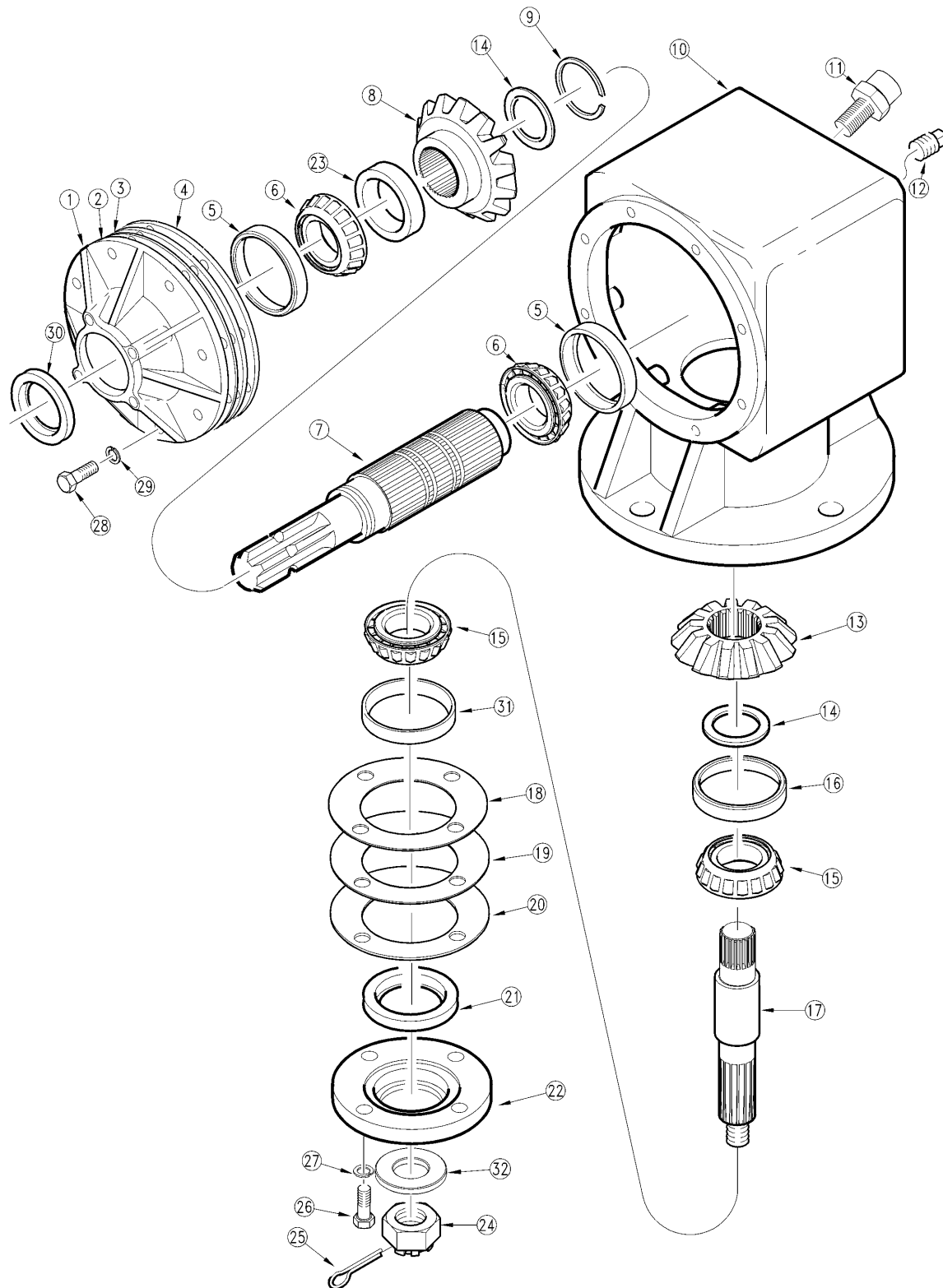
15995

**Driveline Stub Shaft Pull Type 540 RPM (826-225C) Eurocardan****Applies to RCR3510, RCR3596**

Ref	Part No.	Part Description	Comments	Revision
	dwg15995	Drawing Image Number		
	826-225C	PTO W/STUB SHAFT/SC 540 1 3/4		
1.	1786710	EC TUBE BEARING (OUTER TUBE)		
2.	1215733	EC STIFFENING RING		
3.	1885702	EC SHORT CONE		
4.	1215735	EC STOP RING		
5.	1885709	EC SAFETY SLEEVE		
6.	044321	DRIVELINE SHIELD SAFETY CHAIN		
7.	1876023D	EC OUTER TUBE SHEILD		
8.	1885705	EC EXTRA SHORT CONE (FOR MX)		
9.	1896030S821	EC OUTER TUBE ASSY (HRDND)		Rev. 2
9.	1896030D821	EC OUTER TUBE ASSY		Rev. 1
10.	6331080	EC 10X80-DIN-1481 O/TUBE R/PIN		
11.	1706027	EC OUTER TUBE YOKE		
12.	1006020	EC CROSS ASSEMBLY		
13.	1446037	EC CLUTCH FD4/6 1 3/4 20 SPL		
14.	818-552C	DECAL DANGER PTO DRIVELINE		
15.	818-540C	DECAL DANGER GUARD MISS PTO		
16.	6560508	EC GREASE ZERK 8X1 45 DEG.		

# Gearbox (826-217C) OMNI

Applies to RCR3510, RCR3596, RCRM3510, RCRM3596



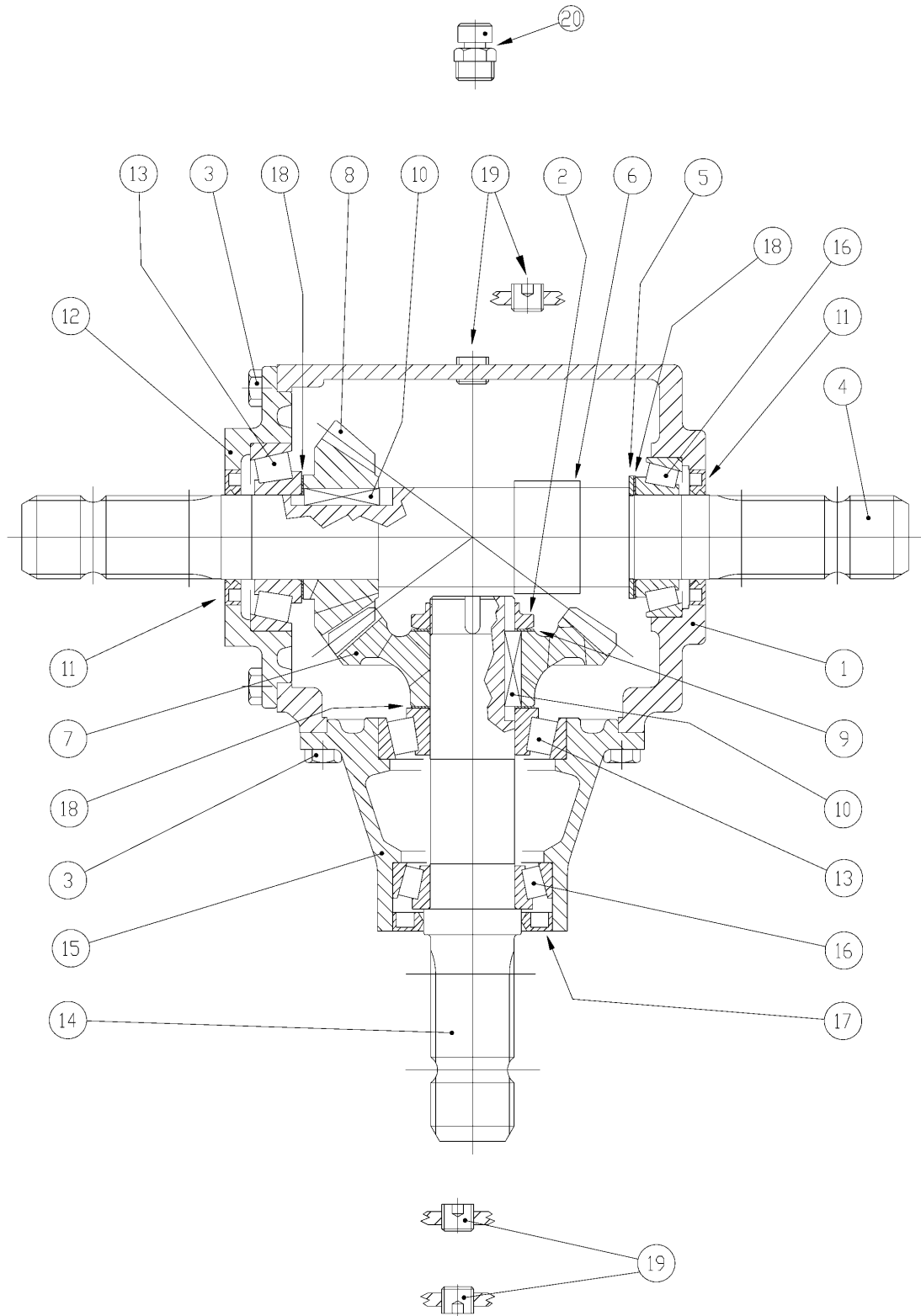
15740

**Gearbox (826-217C) OMNI****Applies to RCR3510, RCR3596, RCRM3510, RCRM3596**

Ref	Part No.	Part Description	Comments	Revision
	dwg15740	Drawing Image Number		
	826-217C	GBOX RC71SS 1.75-20 1:1.46		
1.	020162	OMNI INPUT CAP		
2.	070140	OMNI GASKET 0.30MM		
3.	070141	OMNI GASKET 0.15MM		
4.	070142	OMNI GASKET 0.10MM		
5.	050013	OMNI BEARING CUP - LM 603014		
6.	050012	OMNI BEARING CONE -LM603049		
7.	040136	OMNI INPUT SHAFT 1 3/4"- 20		
8.	030039	INPUT GEAR - 19 T., OMNI		
9.	200003	OMNI RETAINING RING		
10.	010160	OMNI HOUSING RC71SS		
11.	140033	OMNI PLUG VENT 1/2-14 NPTF		
12.	140017	OMNI PLUG PIPE SQ HD1/8-27NPTF		
13.	030038	OUTPUT PINION - 13 T., OMNI		
14.	090073	OMNI SHIM .25		
15.	050008	OMNI BEARING CONE - 368		
16.	050014	BEARING CUP - 362A, OMNI		
17.	040112	OUTPUT SHAFT, OMNI		
18.	070143	OMNI GASKET 0.30MM		
19.	070144	OMNI GASKET 0.15MM		
20.	070145	OMNI GASKET 0.10MM		
21.	060004	OMNI OUTPUT SEAL		
22.	020005	OMNI OUTPUT CAP		
23.	090055	SPACER, OMNI 1:1.46 & 1:1.93		
24.	803-095C	NUT HEX SLOTTED 1-14		
25.	805-017C	PIN COTTER 3/16 X 1 3/4 PLT		
26.	802-091C	HHCS 1/2-13X1 1/2 GR5		
27.	804-015C	WASHER LOCK SPRING 1/2 PLT		
28.	802-079C	HHCS 3/8-16X1 1/4 GR5		
29.	804-013C	WASHER LOCK SPRING 3/8 PLT		
30.	060051	OMNI THRU SHAFT SEAL		
31.	050015	BEARING CUP - 362, OMNI		
32.	804-070C	FLAT WASHER 1 SPECIAL		

**Gearbox (826-356C) Comer**

Applies to RCR3596



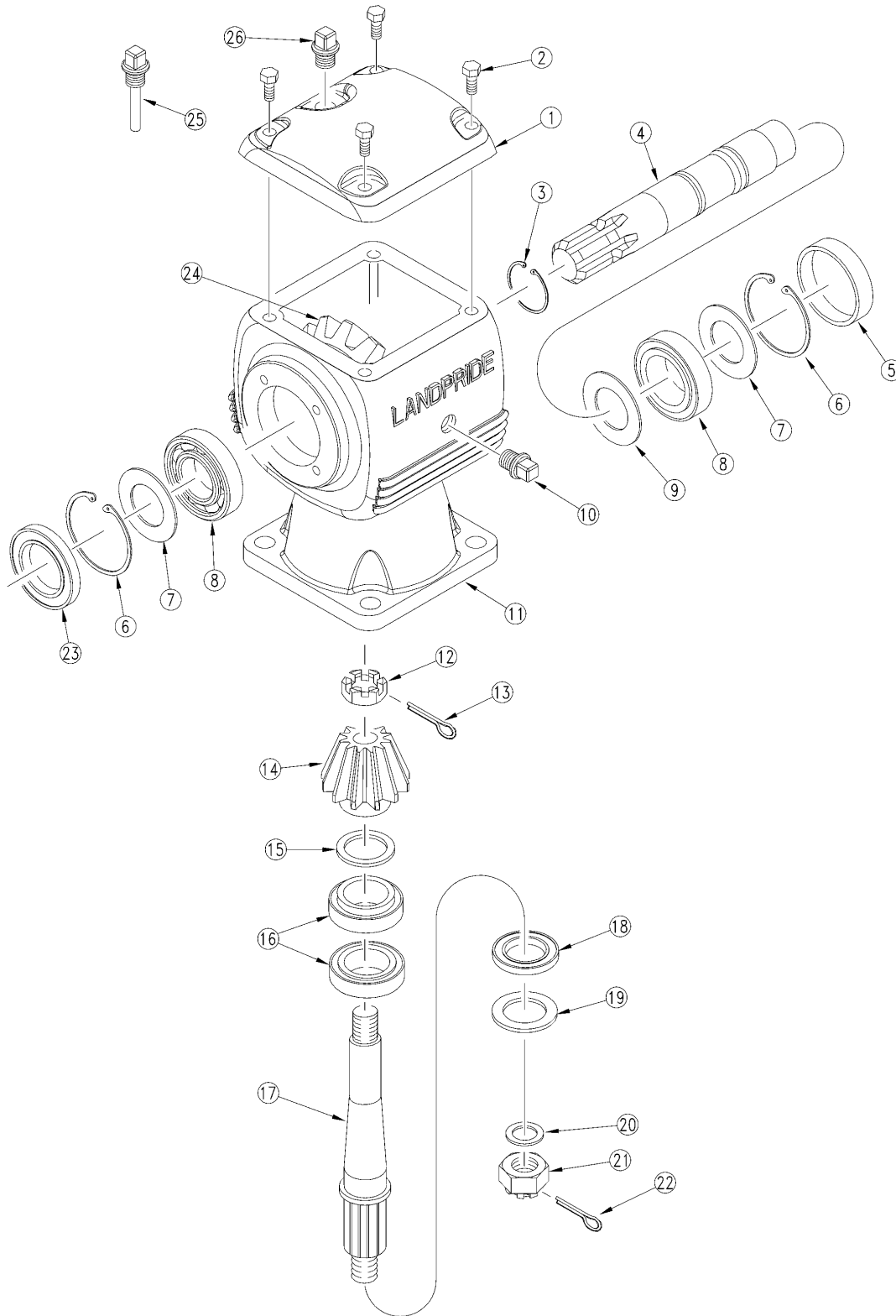
22346

**Gearbox (826-356C) Comer****Applies to RCR3596**

Ref	Part No.	Part Description	Comments	Revision
	dwg22346	Drawing Image Number		
	826-356C	T-BOX 1.75-20 1:1.35		
1.	0.279.0305.00	CO CASING		
2.	0.278.7104.00	CO NUT LOCK M45 X 1.5		
3.	8.1.1.00501	CO BOLT M8X22 HHB		
4.	0.279.3016.00	CO THROUGH SHAFT 1 3/4" Z20		
5.	0.252.7525.00	CO SHIM 45.3X2.5		
6.	0.124.7135.00	CO LABEL		
7.	0.279.6001.00	CO GEAR CROWN Z27 M5.7		
8.	0.279.5001.00	CO GEAR PINION Z20 M5.7		
9.	0.252.7510.00	CO SHIM (45.3X65.3X1)		
10.	8.4.1.00978	CO PARALLEL KEY B 14 X 9 X 40		
11.	8.7.1.02686	CO DUST LIP 45 X 72 X 8		
12.	0.279.1315.00	CO COVER		
13.	8.0.9.00107	CO RL BRG 30309 (45X100X27.25)		
14.	0.279.2013.00	CO INPUT SHAFT 1 3/4" Z20		
15.	0.279.1313.00	CO EXTENSION		
16.	8.0.9.00125	CO BEARING 32209		
17.	8.7.3.02685	CO OIL SEAL 52 X 85 X 10		
18.	0.252.7500.00	REP BY A252.500		
19.	8.6.6.00201	CO PLUG 3/8 GAS		
20.	8.6.7.00161	CO OIL FILLER PLUG 3/8		

***Gearbox (826-378C) Comer***

**Applies to RCR3510, RCR3596, RCRM3510, RCRM3596**



20931

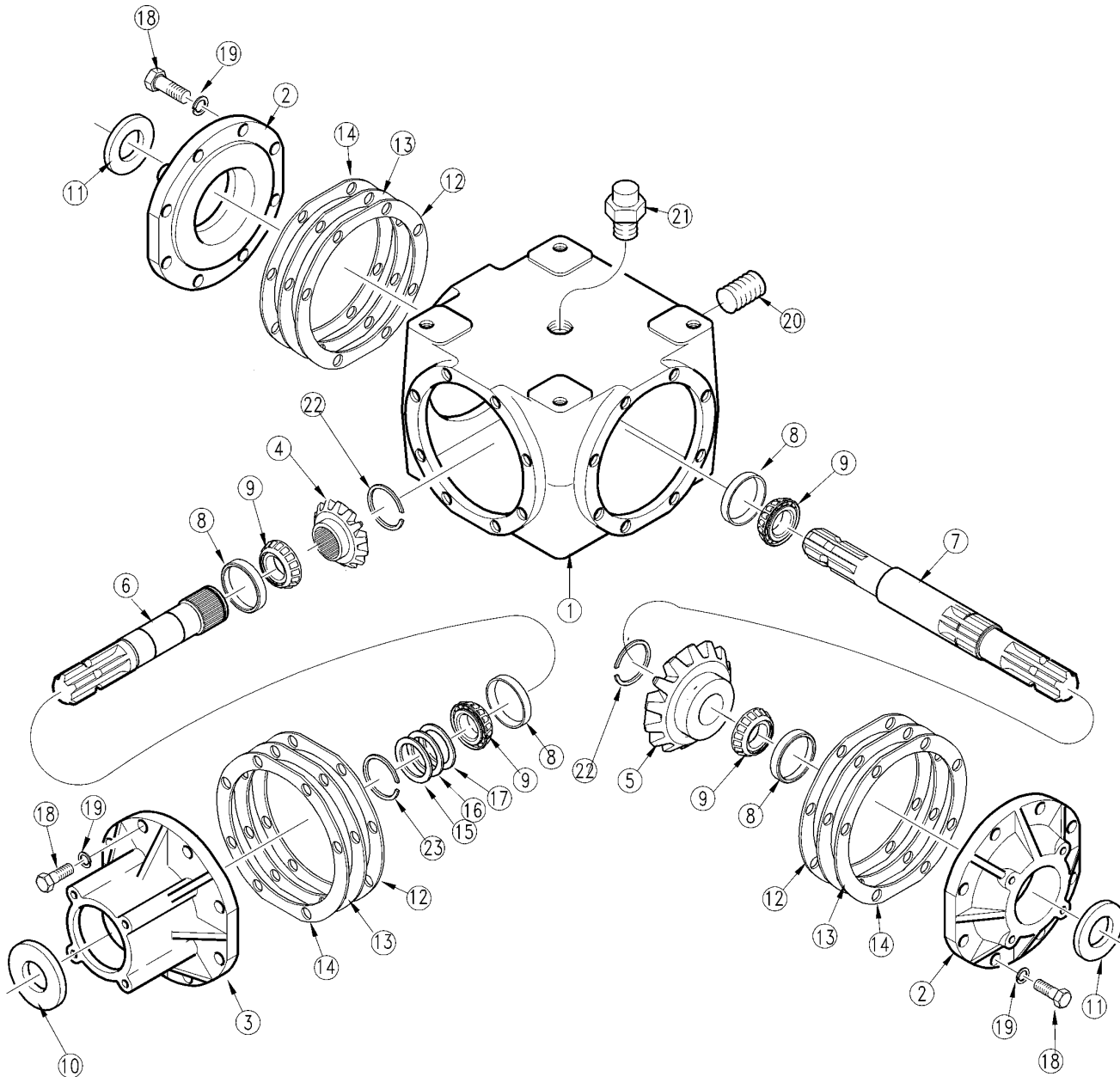


**Gearbox (826-378C) Comer****Applies to RCR3510, RCR3596, RCRM3510, RCRM3596**

Ref	Part No.	Part Description	Comments	Revision
	dwg20931	Drawing Image Number		
	826-378C	GBOX RC35 1.75-20 1:1.47 STD. *		
1.	0.210.1300.00	CO COVER		
2.	8.1.1.00501	CO BOLT M8X22 HHB		
3.	8.5.1.00533	CO SNAP RING 50 UNI7435		
4.	0.210.2001.00	CO INPUT SHAFT 1.75-20		
5.	0.121.7101.00	CO CAP		
6.	8.5.2.00332	CO SNAP RING UNI 7437		
7.	0.709.7500.00	CO SHIM 84.7		
8.	8.0.9.00143	CO BEARING 30209 RTA25		
9.	0.252.7525.00	CO SHIM 45.3X2.5		
10.	8.6.6.00201	CO PLUG 3/8 GAS		
11.	0.210.0300.00	CO CASTING & MACHINE		
12.	0.132.7106.00	CO NUT M30 X 1.5		
13.	8.4.7.02265	CO COTTER PIN B 5X60		
14.	0.210.5001.00	CO PINION Z16 M6		
15.	0.712.7500.00	CO SHIM 50.3X70.3		
16.	04-011	ITG BEARING ASSEMBLY		
17.	0.210.3001.00	CO OUTPUT SHAFT		
18.	8.7.1.01107	CO SEAL (50x90x10)		
19.	0.139.7100.00	CO SEAL RETAINER		
20.	0.139.7101.00	CO BLANK WASHER		
21.	8.2.2.00555	CO NUT, CASTLE M30 X 2		
22.	8.4.7.00146	CO COTTER PIN B6 X 60		
23.	8.7.3.00331	CO OIL SEAL 45 X 85 X 10		
24.	0.210.6001.00	CO GEAR CROWN Z23 M6		
25.	0.210.7100.00	CO 3/8 GAS OIL VENT LEVEL PG.		
26.	8.6.5.00006	CO OIL PLUG 3/8		
26.	826-378C	GEARBOX COMER		

# Gearbox, T-Box 1000 RPM (826-219C) OMNI

Applies to RCRM3510, RCRM3596



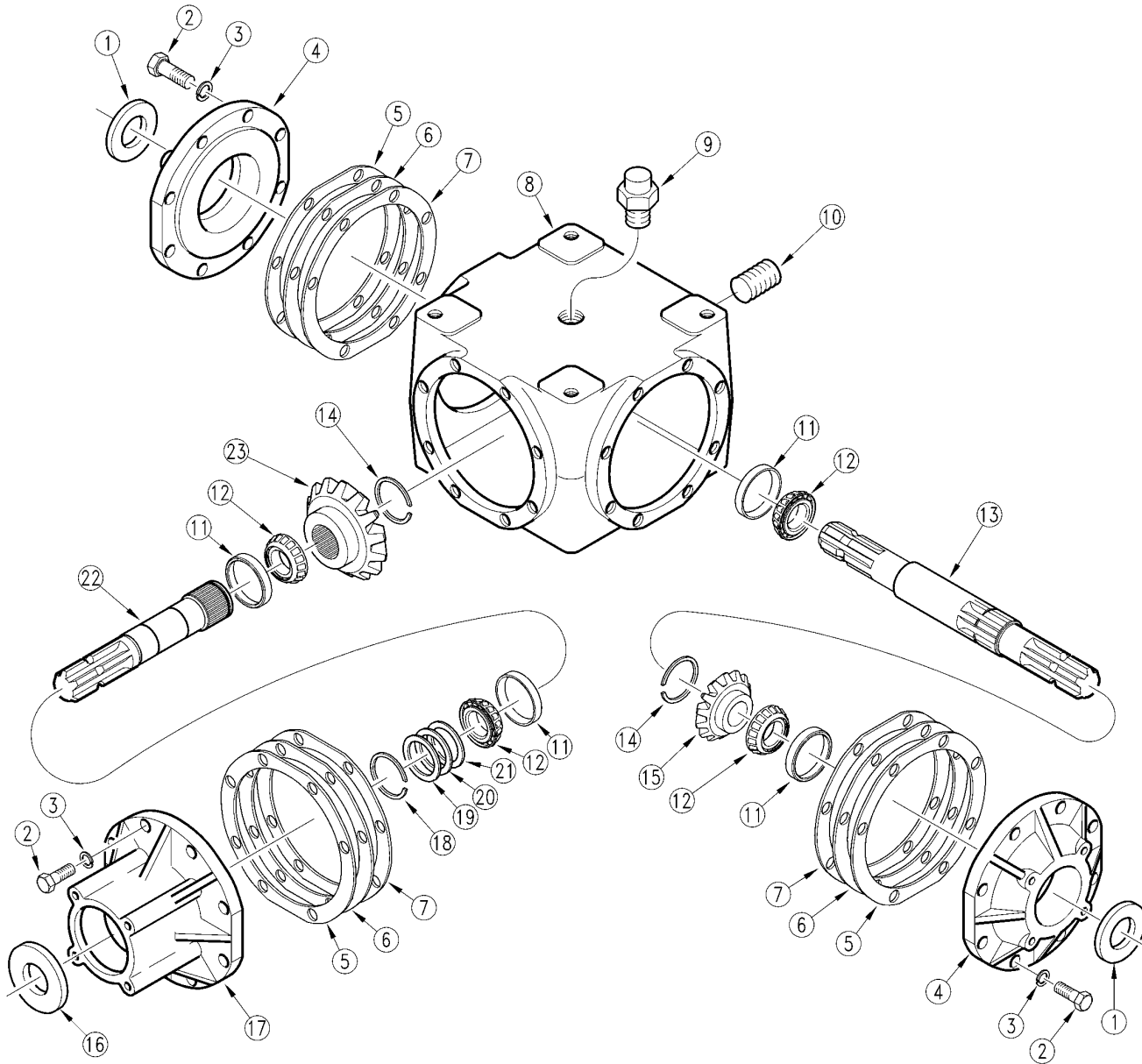
21262

**Gearbox, T-Box 1000 RPM (826-219C) OMNI****Applies to RCRM3510, RCRM3596**

Ref	Part No.	Part Description	Comments	Revision
	dwg21262	Drawing Image Number		
	826-219C	T-BOX 500 SER. 1.75-20 1.35:1		
1.	010116	OMNI HOUSING		
2.	020271	OMNI CAP THRU		
3.	020272	OMNI CAP CANTILEVERED		
4.	030307	OMNI PINION, 17T (1.35)		
5.	030308	OMNI GEAR, 23T (1.35)		
6.	040340	OMNI SHAFT, INPUT 1.75-20 SPLN		Rev. 2
6.	030340	REP BY 040340		Rev 1; Use up stock
7.	040341	OMNI SHAFT, CROSS, SPLINED		Rev. 2
7.	030341	REP BY 040341		Rev 1; Use up stock
8.	050266	OMNI BEARING CUP 33209		
9.	050267	OMNI BEARING CONE 33209		
10.	060163	OMNI SEAL 85.83X44.45X9.53mm		
11.	060164	OMNI SEAL 76.38X44.45X9.53mm		
12.	070215	OMNI GASKET, 0.1MM		
13.	070216	OMNI GASKET, 0.2MM		
14.	070217	OMNI GASKET, 0.5MM		
15.	090201	OMNI SHIM, INPUT 0.1MM		
16.	090202	OMNI SHIM, INPUT 0.2MM		
17.	090203	OMNI SHIM, INPUT 0.3MM		
18.	802-079C	HHCS 3/8-16X1 1/4 GR5		Rev. 2
18.	110001	RPBY 802-079C		Rev 1; Use up stock
19.	130000	OMNI LOCKWASHER 3/8		
20.	140004	OMNI PLUG, SOCKET HD. 1/2 PIPE		
21.	8.6.7.00269	CO 1/2" GAS BREATHER PLUG		Rev. 2
21.	140033	REP BY 8.6.7.00269		Rev 1; Use up stock
22.	200003	OMNI RETAINING RING		
23.	200006	OMNI RETAINING RING		

# Gearbox, T-Box 540 RPM (826-218C) OMNI

Applies to RCR3510, RCR3596



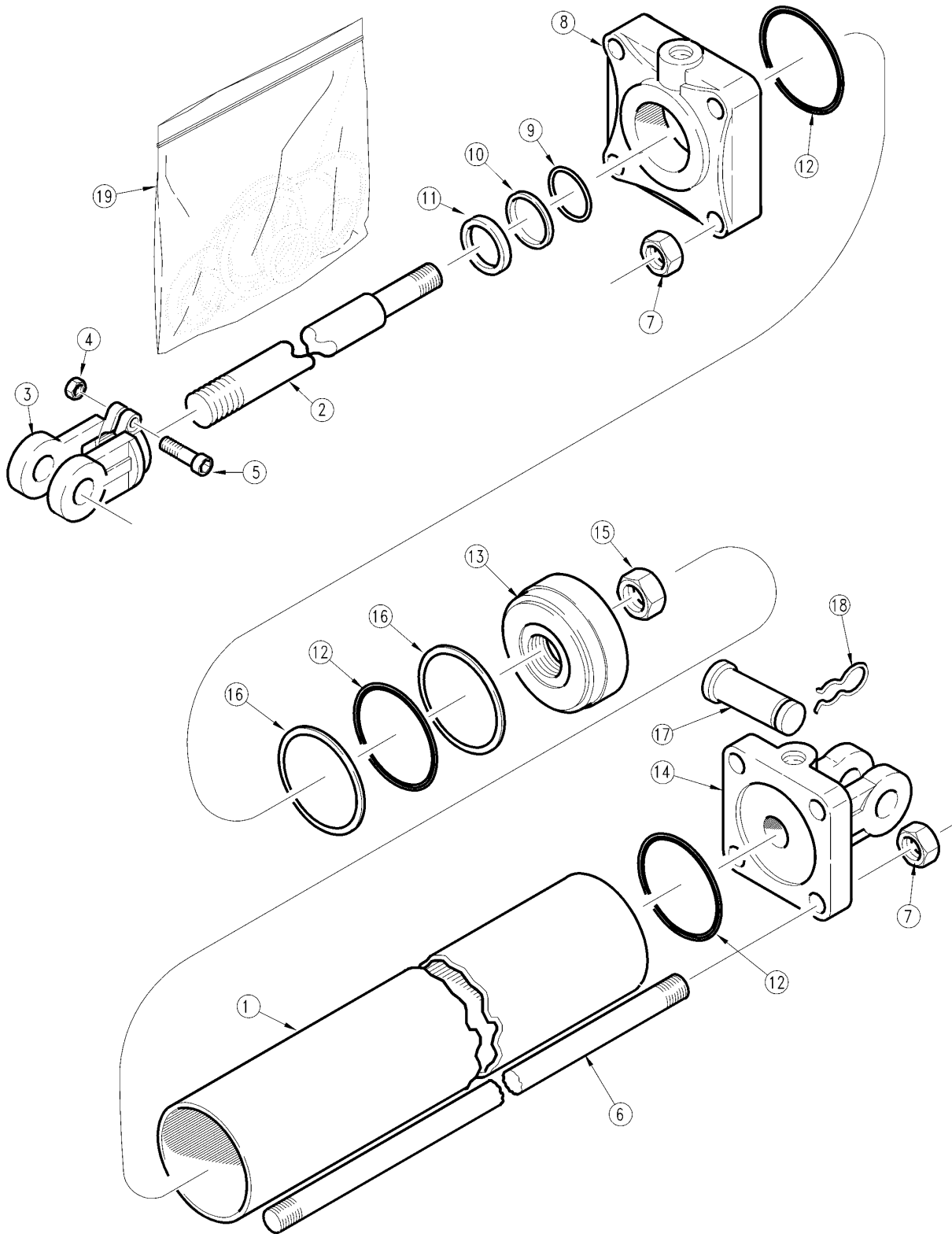
16135

**Gearbox, T-Box 540 RPM (826-218C) OMNI****Applies to RCR3510, RCR3596**

Ref	Part No.	Part Description	Comments	Revision
	dwg16135	Drawing Image Number		
	826-218C	T-BOX 500 SER. 1.75-20 1:1.35		
1.	060131	OMNI SEAL 82.78X44.45X9.53mm	Used with cup 020180 & 050038 & cone 050039	
1.	060164	OMNI SEAL 76.38X44.45X9.53mm	Used with cup 020271 & 050266 & cone 050267	
2.	802-079C	HHCS 3/8-16X1 1/4 GR5		Rev. 2
2.	110001	RPBY 802-079C		Rev 1; Use up stock
3.	130000	OMNI LOCKWASHER 3/8"		
4.	020180	OMNI CAP, THRU		
4.	020271	OMNI CAP THRU		
5.	070215	OMNI GASKET, 0.1MM		
6.	070216	OMNI GASKET, 0.2MM		
7.	070217	OMNI GASKET, 0.5MM		
8.	010116	OMNI HOUSING		
9.	8.6.7.00269	CO 1/2" GAS BREATHER PLUG		Rev. 2
9.	140033	REP BY 8.6.7.00269		Rev 1; Use up stock
10.	140004	OMNI PLUG, SOCKET HD. 1/2 PIPE		
11.	050038	OMNI BEARING, CUP 3720		
11.	050266	OMNI BEARING CUP 33209		
12.	050039	OMNI BEARING, CONE 3782		
12.	050267	OMNI BEARING CONE 33209		
13.	040341	OMNI SHAFT, CROSS, SPLINED		Rev. 2
13.	030341	REP BY 040341		Rev 1; Use up stock
14.	200003	OMNI RETAINING RING		
15.	030307	OMNI PINION, 17T (1.35)		
16.	060132	OMNI SEAL 95.48X44.45X9.53mm		
16.	060163	OMNI SEAL 85.83X44.45X9.53mm		
17.	020181	OMNI CAP CANTILEVERED		
17.	020272	OMNI CAP CANTILEVERED		
18.	200006	OMNI RETAINING RING		
19.	090201	OMNI SHIM, INPUT 0.1MM		
20.	090202	OMNI SHIM, INPUT 0.2MM		
21.	090203	OMNI SHIM, INPUT 0.3MM		
22.	040340	OMNI SHAFT, INPUT 1.75-20 SPLN		Rev. 2
22.	030340	REP BY 040340		Rev 1; Use up stock
23.	030308	OMNI GEAR, 23T (1.35)		

# Hydraulic Cylinder (810-200C) Midway

Applies to RCR3510, RCR3596, RCRM3510, RCRM3596



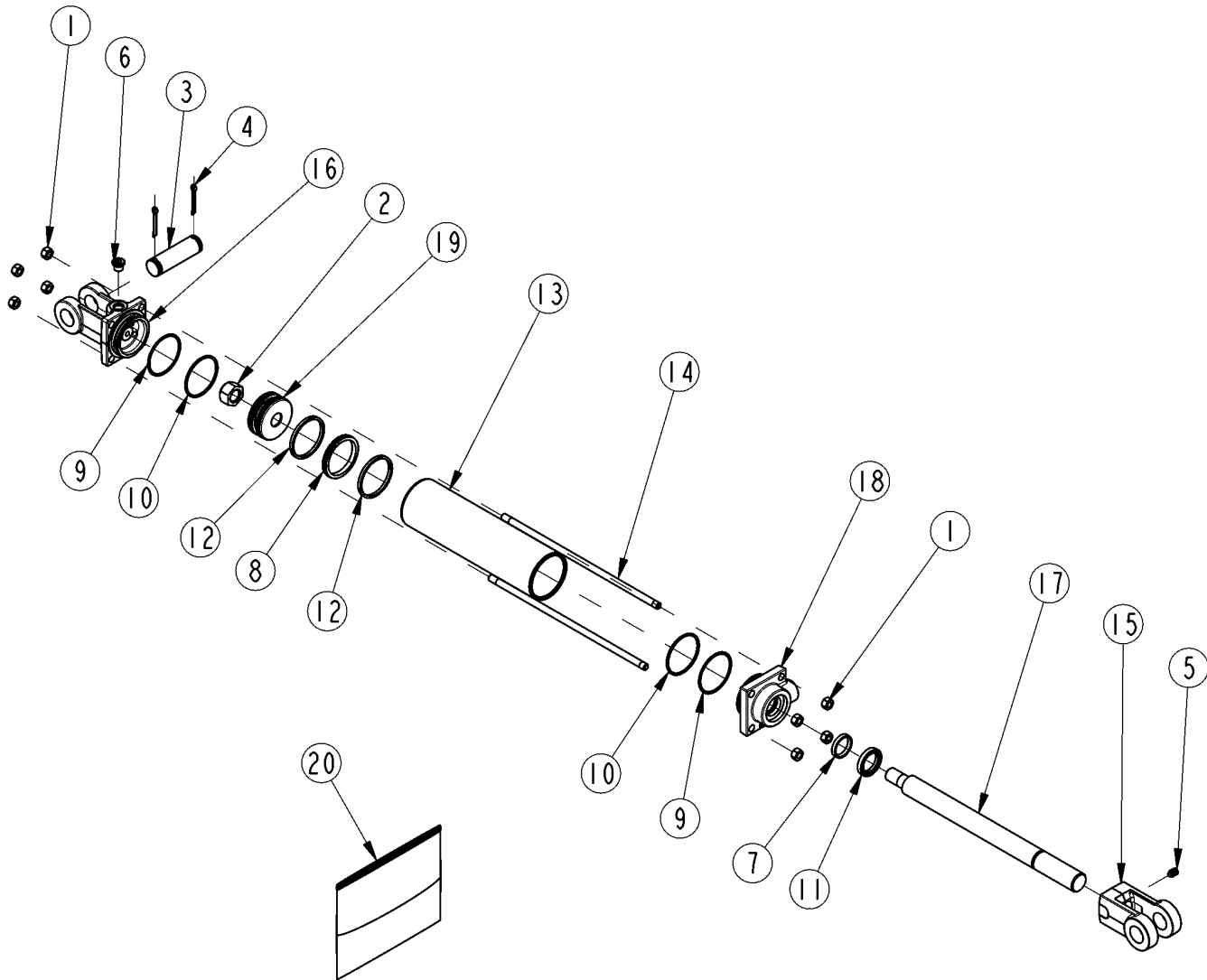
10219

***Hydraulic Cylinder (810-200C) Midway*****Applies to RCR3510, RCR3596, RCRM3510, RCRM3596**

<b>Ref</b>	<b>Part No.</b>	<b>Part Description</b>	<b>Comments</b>	<b>Revision</b>
	dwg10219	Drawing Image Number		
	810-200C	CYL 2.5X8X1.12 ROD (TIE)1 PIN		
1.	5M3116	MW TUBE 2-1/2 X 8 X 1-1/8 ROD		
2.	2M3316	MW ROD		
3.	1M6006	MW ROD CLEVIS		
4.	2A0012	MW NUT CLEVIS & TIE ROD		
5.	2A0006	MW CAPSCREW		
6.	7M3316	MW TIE ROD		
7.	2A0012	MW NUT CLEVIS & TIE ROD		
8.	3M3310	MW HEAD		
9.		O-RING	Only found in seal kit item 19	
10.		BACK-UP	Only found in seal kit item 19	
11.		WIPER SEAL	Only found in seal kit item 19	
12.		O-RING	Only found in seal kit item 19	
13.	4M3102	MW PISTON 2 1/2 CYL		
14.	6M3126	MW BASE		
15.	2A0022	MW NUT, PISTON		
16.		BACK-UP	Only found in seal kit item 19	
17.	2A0208	MW CLEVIS PIN		
18.	2A0132	MW PIN CLIP		
19.	810-210C	SEAL KIT MW 2.5 CYL 3A3102		

# Hydraulic Cylinder (810-200C) Red Lion

Applies to RCR3510, RCR3596, RCRM3510, RCRM3596



25901



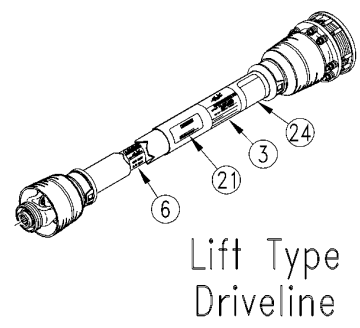
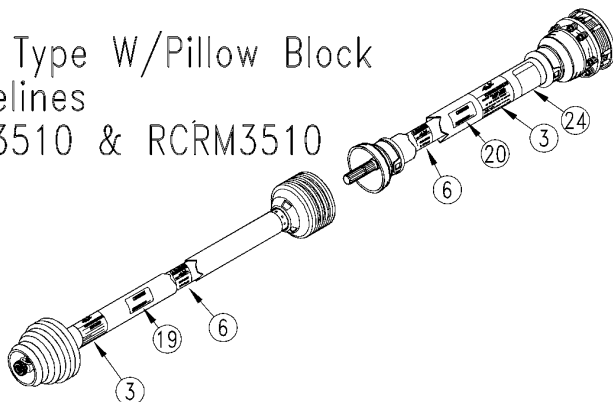
***Hydraulic Cylinder (810-200C) Red Lion*****Applies to RCR3510, RCR3596, RCRM3510, RCRM3596**

<b>Ref</b>	<b>Part No.</b>	<b>Part Description</b>	<b>Comments</b>	<b>Revision</b>
	dwg25901	Drawing Image Number		
	810-200C	CYL 2.5X8X1.12 ROD (TIE)1 PIN *		
1.	803-014C	NUT HEX 3/8-16 PLT		
2.	130556	MON PISTON NUT		
3.	134953	LION PIN		
4.	135995	MON CLEVIS PIN COTTER		
5.	801-023C	SCREW SET SH 3/8-16X3/8 TYPE C		
6.	186561	PLUG 9/16-18UNF MORB SOCKET HD		
7.	N/A	MON ROD SEAL	Only Found in Kit #20	
8.	N/A	MON PISTON SEAL	Only Found in Kit #20	
9.	N/A	MON END CAP BACKUP WASHERS	Only Found in Kit #20	
10.	N/A	MON END CAP O-RING	Only Found in Kit #20	
11.	N/A	LION WIPER SEAL	Only Found in Kit #20	
12.	N/A	MON PISTON WEAR RING	Only Found in Kit #20	
13.	491668	LION CYL. TUBE 2.5 X 8		
14.	492218	LION TIE ROD 3/8, 8 CYL		
15.	492650	LION ROD CLEVIS 1 1/8-12UNF		
16.	492688	LION CLEVIS CAP 2.5, 9/16 ORB		
17.	492699	LION ROD 1.125 ASAE 8		
18.	492711	LION ROD CAP 2.5X1.125-9/16ORB		
19.	494768	MON PISTON		
20.	645004	MON SEALS REPAIR KIT		

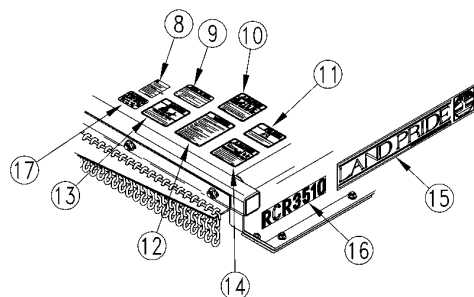
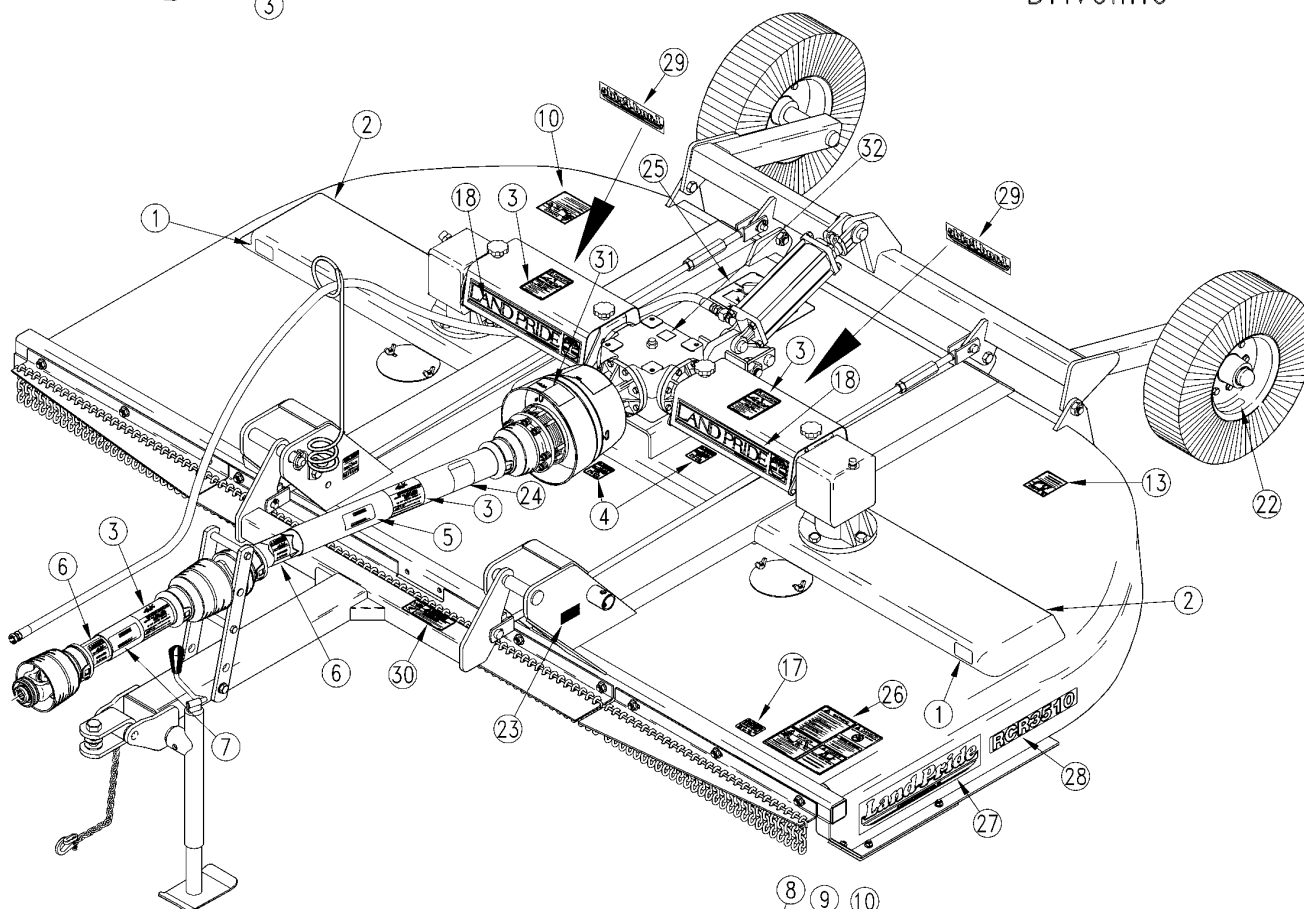
### Label Placement

Applies to RCR3510, RCR3596, RCRM3510, RCRM3596

Pull Type W/Pillow Block  
Drivelines  
RCR3510 & RCRM3510



Lift Type  
Driveline



17562

**Label Placement****Applies to RCR3510, RCR3596, RCRM3510, RCRM3596**

Ref	Part No.	Part Description	Comments	Revision
	dwg17562	Drawing Image Number		
	312-598A	RCR3510 DECAL PACKAGE		
	312-599A	RCRM3510 DECAL PACKAGE		
	312-637A	RCR3596 DECAL PACKAGE		
	312-638A	RCRM3596 DECAL PACKAGE		
	*	*		
1.	818-229C	DECAL AMBER REFLECTOR		
2.	818-230C	DECAL RED REFLECTOR		
3.	818-552C	DECAL DANGER PTO DRIVELINE		
4.	818-543C	DECAL DANGER PD GUARD MISS SML		
5.	818-805C	DECAL PTO 826-220C	RCR3510	
5.	818-843C	DECAL DRIVELINE 826-256C	RCR3596	
5.	818-806C	DECAL PTO 826-221C	RCRM3510	
5.	818-849C	DECAL DRIVELINE 826-259C	RCRM3596	
6.	818-540C	DECAL DANGER GUARD MISS PTO		
7.	818-611C	DECAL PTO 826-151C	RCR3510 & RCRM3510	
7.	818-807C	DECAL PTO 826-223C	RCR3510 & RCRM3510	
8.	818-161C	DECAL CAUTION GENERAL RC SAFE		If any of the labels, items #8 through #14 on the left front corner of the deck need to be replaced, replace all with label item #26.
9.	818-560C	DECAL NOTICE TO OWNER-NO WARRA		If any of the labels, items #8 through #14 on the left front corner of the deck need to be replaced, replace all with label item #26.
10.	818-564C	DECAL RC OSHA AG CHAIN GUARD		If any of the labels, items #8 through #14 on the left front corner of the deck need to be replaced, replace all with label item #26.
11.	818-557C	DECAL DANGER CANNOT READ ENG		If any of the labels, items #8 through #14 on the left front corner of the deck need to be replaced, replace all with label item #26.
12.	818-554C	DECAL WARNING GEN SAFE CUTTER		If any of the labels, items #8 through #14 on the left front corner of the deck need to be replaced, replace all with label item #26.
13.	818-556C	DECAL DANGER THROWN OBJ CUTTER		If any of the labels, items #8 through #14 on the left front corner of the deck need to be replaced, replace all with label item #26.
14.	818-555C	DECAL DANGER ROTATE BLADE		If any of the labels, items #8 through #14 on the left front corner of the deck need to be replaced, replace all with label item #26.
15.	818-793C	DECAL LP LOGO MEDIUM BLACK	(S/N 223427-)	
16.	818-785C	DECAL RCR3510 BLACK	RCR3510 (S/N 223427-)	
16.	818-786C	DECAL RCRM3510 BLACK	RCRM3510 (S/N 223427-)	
16.	818-841C	DECAL RCR3596 BLACK	RCR3596 (S/N 223427-)	
16.	818-848C	DECAL RCRM3596 BLACK	RCRM3596 (S/N 223427-)	
17.	818-130C	DECAL CAUTION 540 RPM		
17.	818-240C	DECAL CAUTION 1000 RPM		
18.	818-165C	LP LOGO SMALL BUCKSKIN	(S/N 223427-)	

**Label Placement (continued)****Applies to RCR3510, RCR3596, RCRM3510, RCRM3596**

<b>Ref</b>	<b>Part No.</b>	<b>Part Description</b>	<b>Comments</b>	<b>Revision</b>
19.	818-227C	DECAL DRIVELINE 826-053C	RCR3510	
19.	818-243C	DECAL DRIVELINE 826-063C	RCRM3510	
20.	818-808C	DECAL DRIVELINE 826-225C	RCR3510	
20.	818-809C	DECAL DRIVELINE 826-226C	RCRM3510	
21.	818-803C	DECAL DRIVELINE 826-215C	RCR3510	
21.	818-842C	DECAL DRIVELINE 826-255C	RCR3596	
21.	818-804C	DECAL DRIVELINE 826-216C	RCRM3510	
21.	818-850C	DECAL DRIVELINE 826-258C	RCRM3596	
22.	818-681C	DECAL NOTICE - 20 MPH MAX		
23.	818-190C	DECAL FLAG		
24.	818-680C	DECAL IMPORTANT - SLIP CLUTCH		
25.	818-225C	DECAL RC120 BLADE ROTATION		
26.	818-830C	DECAL SAFETY COMBO SUNWEST	(S/N 216890+)	
27.	818-903C	DECAL LANDPRIDE 19" - BROWN	(S/N 223428+) Beige Unit	
27.	838-643C	DECAL LANDPRIDE 25" LG	Green, Orange & Red Unit	
28.	818-931C	DECAL RCR3596-BROWN	(S/N 223428+)	
28.	818-932C	DECAL RCRM3596-BROWN	(S/N 223428+)	
28.	818-933C	DECAL RCR3510-BROWN	(S/N 223428+)	
28.	818-934C	DECAL RCRM3510-BROWN	(S/N 223428+)	
29.	818-898C	DECAL LANDPRIDE 10" - BIEGE	(S/N 223428+)	
30.	838-094C	DECAL WARNING HYD PRESS LONG	(S/N 223714+)	
31.	818-142C	DECAL DANGER PTO DRIVELINE EN		
32.	818-862C	DECAL 5 YEAR GEARBOX WARRANTY		

## Table of Contents    Part Number Index



# Part Number Index

The Part Number Index is a numeric index of all part numbers included in this manual. The index shows what page(s) the part is used on.

Part Number	Page	Part Number	Page	Part Number	Page	Part Number	Page
*	31, 89, 97, 99	070141	85	1705009	69, 71, 73, 75, 77, 79	312-071A	13
0.121.7101.00	89	070142	85			312-084L	11
0.124.7135.00	87	070143	85	1705267	49	312-100H	11
0.132.7106.00	89	070144	85	1705277	45	312-136D	13
0.139.7100.00	89	070145	85	1705278	47	312-231D	11
0.139.7101.00	89	070215	91, 93	1706027	39, 59, 61, 63, 65, 67, 81, 83	312-404H	15
0.210.0300.00	89	070216	91, 93			312-421H	29
0.210.1300.00	89	070217	91, 93	1706029	51, 53, 55, 57, 59, 61, 63, 65	312-422H	19
0.210.2001.00	89	087276	41, 43			312-502A	35
0.210.3001.00	89	090055	85	1706033	69, 71, 73, 75, 77, 79	312-503A	35
0.210.5001.00	89	090073	85			312-504A	37
0.210.6001.00	89	090201	91, 93	1706313	73, 79	312-505A	37
0.210.7100.00	89	090202	91, 93	1706314	69	312-507H	16
0.252.7500.00	87	090203	91, 93	1708016	71, 77	312-507H81	16
0.252.7510.00	87	095758	43	1708017	75	312-507H82	16
0.252.7525.00	87, 89	1004220	39, 59, 61, 63, 65, 67	1708034	71, 73, 77, 79	312-507H83	16
0.278.7104.00	87			1708072	49	312-508H	16
0.279.0305.00	87	1004224	39, 67	172758	41, 43	312-509H	16
0.279.1313.00	87	1004225	39, 59, 61, 63, 65	1785273	45, 47, 49	312-510H	15
0.279.1315.00	87	1005220	47	1786710	39, 51, 53, 55, 57, 59, 61, 63, 65, 67, 81, 83	312-511H	9
0.279.2013.00	87	1005221	45			312-512H	27
0.279.3016.00	87	1005238	49	1786711	51, 53, 55, 57, 59, 61, 63, 65	312-515H	7, 9, 11
0.279.5001.00	87	1005239	49			312-516H	7, 9, 29
0.279.6001.00	87	1006020	39, 51, 53, 55, 57, 59, 61, 63, 65, 67, 81, 83	1808010	69, 71, 73, 75, 77, 79	312-528S	16
0.709.7500.00	89					312-529S	15
0.712.7500.00	89	1008020	49	186561	97	312-536H	29
010116	91, 93	1016010	39, 63, 65	1876023D	83	312-537K	35
010160	85	1016012	39, 63, 65	1876025D	81	312-538K	35
010490	41, 43	1016013	63, 65	1876030D	39	312-539K	35
019519	41, 43	1016015	59, 61, 67	1876034D	67	312-544K	37
020005	85	1016017	59, 61	1876052	61, 65	312-545K	37
020162	85	110001	91, 93	1876064	53, 57	312-549L	7, 9
020180	93	1116010	39, 67	1876067	59, 63	312-568K	35
020181	93	1138007	69, 71, 73, 75, 77, 79	1876079	51, 55	312-569K	35
020271	91, 93			1877052	61, 65	312-588H	11
020272	91, 93	1138008	69, 71, 73, 75, 77, 79	1877064	53, 57	312-591H	11
020469	41, 43			1877067	59, 63	312-598A	99
020617	41, 43	1215012	69, 71, 73, 75, 77, 79	1877079	51, 55	312-599A	99
020672	41, 43			1885702	51, 53, 55, 57, 59, 61, 63, 65, 81, 83	312-602D	15
030038	85	1215733	39, 51, 53, 55, 57, 59, 61, 63, 65, 67, 81, 83			312-602D81	15
030039	85			1885703	39, 59, 61, 63, 65, 67	312-602D83	15
030307	91, 93	1235287	49			312-608A	45, 47, 49
030308	91, 93	130000	91, 93	1885704	39, 67	312-611H	16
030340	91, 93	130556	97	1885705	51, 53, 55, 57, 81, 83	312-611H81	16
030341	91, 93	134953	97			312-611H83	16
04-011	89	135995	97	1896028D821	81	312-612H	9
040112	85	140004	91, 93	1896028S821	81	312-613H	9, 29
040136	85	140017	85	1896030D821	83	312-614H	27
040340	91, 93	140033	85, 91, 93	1896030S821	83	312-615A	35
040341	91, 93	1406016	59, 61, 75, 81	1896069N327	57	312-616A	35
044321	39, 41, 43, 51, 53, 55, 57, 59, 61, 63, 65, 67, 81, 83	1406028	51, 53, 69	1896071N327	53	312-616D	27
		1446016	63, 65, 71, 77	1896084N327	51, 55	312-617A	37
050008	85	1446037	55, 57, 73, 79, 83	1M6006	95	312-618A	37
050012	85	1526062	61, 65	200-001D	7, 9	312-626S	16
050013	85	1526070	53, 57	200003	85, 91, 93	312-627S	15
050014	85	1526077	59, 63	200006	91, 93	312-629L	9
050015	85	1526085	51, 55	2A0006	95	312-629L	9
050038	93	1528040D	39	2A0012	95	312-630H	11
050039	93	1528044D	67	2A0022	95	312-636K	37
050266	91, 93	1528062	61	2A0132	95	312-637A	99
050267	91, 93	1528077	59, 63	2A0208	95	312-638A	99
060004	85	1528084	65	2M3316	95	312-681S	19
060051	85	1535275	49	300-236D	25, 29	312-712D	7, 9, 11
060131	93	1535287	49	312-062H	13	312-714D	19
060132	93			312-067K	11	312-715D	19
060163	91, 93					312-716D	19
060164	91, 93					312-729D	23
070140	85					312-733D	29
						312-804D	7, 9, 11
						312-805D	16
						312-805H	7



# Part Number Index (continued)

Part Number	Page	Part Number	Page	Part Number	Page	Part Number	Page
312-810D	27	388434	41	802-079C	85, 91, 93	804-171C	27
312-811D	27	3M3310	95	802-091C	21, 85	805-004C	23
312-812D	15	491668	97	802-098C	25, 29	805-016C	7, 9
312-812D81	15	492218	97	802-099C	7	805-017C	15, 85
312-812D83	15	492650	97	802-106C	27, 37	805-045C	7, 9, 29
312-813D	25	492688	97	802-146C	19	805-058C	25
312-814D	25	492699	97	802-155C	37	805-083C	7, 9, 29
312-815D	25	492711	97	802-162C	27	805-088C	23
312-816D	25	494768	97	802-169C	25	805-090C	25
312-817D	25	4M3102	95	802-183C	33, 35	805-103C	25, 29
312-817H	15	5M3116	95	802-184C	13, 23	805-104C	7, 9, 11
312-820D	21	6001010	73, 79	802-240C	7, 9, 11, 27	805-137C	25
312-820H	15	6001085	69	802-260C	19	805-187C	7, 9, 11
312-821D	25	6141480	73, 79	802-262C	19	805-255C	11, 27
312-822D	25	6141680	49	802-272C	11	805-274C	25, 29
312-823D	35	6331070	51, 53, 55, 57, 59, 61, 63, 65	802-277C	15	806-018C	11
312-824D	35			802-280C	27	807-023C	23
312-825D	35	6331080	39, 59, 61, 63, 65, 67, 81, 83	802-323C	19	807-143C	7, 9, 11
312-826D	35			802-326C	7, 9, 11, 27	810-200C	23, 95, 97
312-827D	35	6410114	73, 79	802-360C	7, 9, 11	810-210C	95
312-830D	37	6410716	49	802-368C	7, 9, 11, 25	810-242C	23
312-831D	37	6411010	69	802-392C	25	811-170C	23
312-832D	37	6412016	49	802-440C	31, 35, 37	811-676C	23
312-833D	19	6412114	73, 79	802-466C	15	814-058C	27
312-834D	37	645004	97	802-585C	35, 37	814-059C	7, 9, 11
312-835D	37	6560006	59, 61, 63, 65	802-634C	29	814-066C	7, 9
312-836D	37	6560208	45, 47	803-012C	15	814-086C	7, 9
312-931D	25	6560508	39, 51, 53, 55, 57, 59, 61, 63, 65, 67, 81, 83	803-013C	19, 23	814-087C	7, 9
312-932D	25			803-014C	97	814-088C	7, 9
312-933D	16			803-019C	7, 19	814-089C	7, 9
312-936D	37	6691010	71, 77	803-021C	19	814-161C	27
312-937D	37	6691080	75	803-026C	7, 9, 11, 23, 25, 27	814-201C	7, 9
312-938D	25	6761480	69	803-027C	11, 13	814-203C	7, 9
312-939D	25	6821483	71, 75, 77	803-029C	7, 9	814-204C	7, 9
312-940D	35	6821484	49	803-037C	21, 27, 31, 33, 35, 37	814-205C	7, 9
312-941D	35	6M3126	95	803-075C	7, 9	814-263C	7, 9
312-942D	33, 35	7M3316	95	803-095C	15, 85	814-266C	7, 9
312-943D	31, 35	8.0.9.00107	87	803-168C	7, 9, 11, 25, 29	814-267C	7, 9
312-947D	37	8.0.9.00125	87	803-170C	15	814-268C	7, 9
312-999D	19	8.0.9.00143	89	803-181C	16	815-091C	11, 27
312410	41, 43	8.1.1.00501	87, 89	803-198C	15, 37	815-092C	11
318-008H	7, 9	8.2.2.00555	89	803-231C	15	815-093C	7, 9
320684	41, 43	8.4.1.00978	87	803-255C	16	815-109C	7
321245	41	8.4.7.00146	89	803-263C	11	816-098C	7, 9
326-002D	19	8.4.7.02265	89	803-265C	7, 9	816-272C	37
326-091K	31	8.5.1.00533	89	803-271C	27	816-273C	37
326-092K	31	8.5.2.00332	89	803-279C	73, 79	816-274C	37
326-093A	31	8.6.5.00006	89	803-289C	11, 27	816-286C	11, 27
326-094A	33	8.6.6.00201	87, 89	804-007C	16	816-299C	37
326-190D	31	8.6.7.00161	87	804-009C	16	816-300C	37
326-191D	33	8.6.7.00269	91, 93	804-012C	15, 19, 23	816-481C	16
330-297A	69, 71, 73, 75, 77, 79	8.7.1.01107	89	804-013C	15, 85	817-057C	13
341586	43	8.7.1.02686	87	804-015C	7, 9, 11, 15, 27, 85	817-165C	16
342221	41, 43	8.7.3.00331	89	804-016C	7, 9, 11, 21, 27	817-259C	16
355155	41, 43	8.7.3.02685	87	804-021C	19	818-130C	99
365305	41, 43	800-001C	7, 9, 11, 27	804-022C	19	818-142C	100
365722	41, 43	800-069C	19	804-023C	11, 13	818-161C	99
377336	41, 43	800-080C	11, 27	804-024C	7, 9, 11	818-165C	99
380371	41, 43	800-117C	23	804-025C	7, 9, 11, 25	818-190C	100
380882	43	801-007C	15	804-028C	29	818-225C	100
380883	41	801-023C	97	804-029C	7, 9, 11, 15, 25, 29	818-227C	100
381908	41, 43	802-005C	16	804-036C	16	818-229C	99
382437	43	802-007C	16	804-055C	7, 9	818-230C	99
382647	43	802-015C	19	804-070C	85	818-240C	99
383084	41	802-022C	23	804-074C	11	818-243C	100
383128	43	802-034C	15	804-125C	29	818-540C	39, 51, 53, 55, 57, 59, 61, 63, 65, 67, 81, 83, 99
383333	41, 43	802-041C	21	804-147C	16		
383334	41, 43	802-064C	15, 25				
383334	41, 43	802-065C	7, 9, 11, 15				
384064	41	802-073C	25				
386083	41, 43	802-074C	29				



## Part Number Index (continued)

Part Number	Page	Part Number	Page
818-552C	39, 51, 53, 55, 57, 59, 61, 63, 65, 67, 81, 83, 99	826-226C	21, 81
818-554C	99	826-255C	25, 65
818-555C	99	826-256C	19, 57
818-556C	99	826-258C	25, 61
818-557C	99	826-259C	19, 53
818-560C	99	826-334C	15, 49
818-564C	99	826-356C	15, 87
818-611C	99	826-378C	15, 89
818-680C	100	826-378C81	15
818-681C	11, 100	826-378C82	15
818-785C	99	826-378C83	15
818-786C	99	827-036C	11, 27
818-793C	99	838-094C	100
818-803C	100	838-643C	100
818-804C	100	890-118C	29
818-805C	99	890-177C	7, 9, 11
818-806C	99	890-182C	29
818-807C	99	890-341C	31, 35
818-808C	100	890-352C	25
818-809C	100	890-400C	33, 35
818-830C	100	890-583C	27
818-841C	99	dwg10219	95
818-842C	100	dwg10452	41, 43
818-843C	99	dwg15521	71, 77
818-848C	99	dwg15523	75
818-849C	99	dwg15740	85
818-850C	100	dwg15976	15
818-862C	100	dwg15977	25
818-898C	100	dwg15978	27
818-903C	100	dwg15979	29
818-931C	100	dwg15980	19
818-932C	100	dwg15981	21
818-933C	100	dwg15982	7, 9
818-934C	100	dwg15983	23
820-112C	16	dwg15984	13
820-137C	15	dwg15985	35
820-193C	15	dwg15995	81, 83
820-195C	15	dwg16135	93
820-196C	16	dwg16173	51, 53, 55, 57
820-209C	16	dwg16272	37
820-210C	15	dwg16365	45
820-211C	16	dwg16370	67
822-091C	7, 9, 11, 27	dwg16561	73, 79
822-092C	7, 9, 11, 27	dwg16562	11
822-094C	21	dwg16610	39
822-098C	19	dwg16886	47
822-099C	19	dwg17562	99
822-100C	19	dwg20931	89
826-053C	21, 43	dwg21262	91
826-063C	21, 41	dwg21263	49
826-151C	19, 39	dwg22283	59, 61, 63, 65
826-214C	15, 45	dwg22346	87
826-215C	25, 63	dwg22375	69
826-216C	25, 59	dwg25513	31
826-217C	15, 85	dwg25514	33
826-218C	15, 93	dwg25901	97
826-218C81	15	N/A	97
826-218C82	15		
826-218C83	15		
826-219C	15, 91		
826-219C81	15		
826-219C82	15		
826-219C83	15		
826-220C	19, 55		
826-221C	19, 51		
826-222C	16		
826-223C	19, 67		
826-224C	15, 47		
826-225C	21, 83		



Great Plains Manufacturing, Inc.

Corporate Office: P.O. Box 5060  
Salina, Kansas 67402-5060 USA

[www.landpride.com](http://www.landpride.com)



## Free Manuals Download Website

<http://myh66.com>

<http://usermanuals.us>

<http://www.somanuals.com>

<http://www.4manuals.cc>

<http://www.manual-lib.com>

<http://www.404manual.com>

<http://www.luxmanual.com>

<http://aubethermostatmanual.com>

Golf course search by state

<http://golfingnear.com>

Email search by domain

<http://emailbydomain.com>

Auto manuals search

<http://auto.somanuals.com>

TV manuals search

<http://tv.somanuals.com>