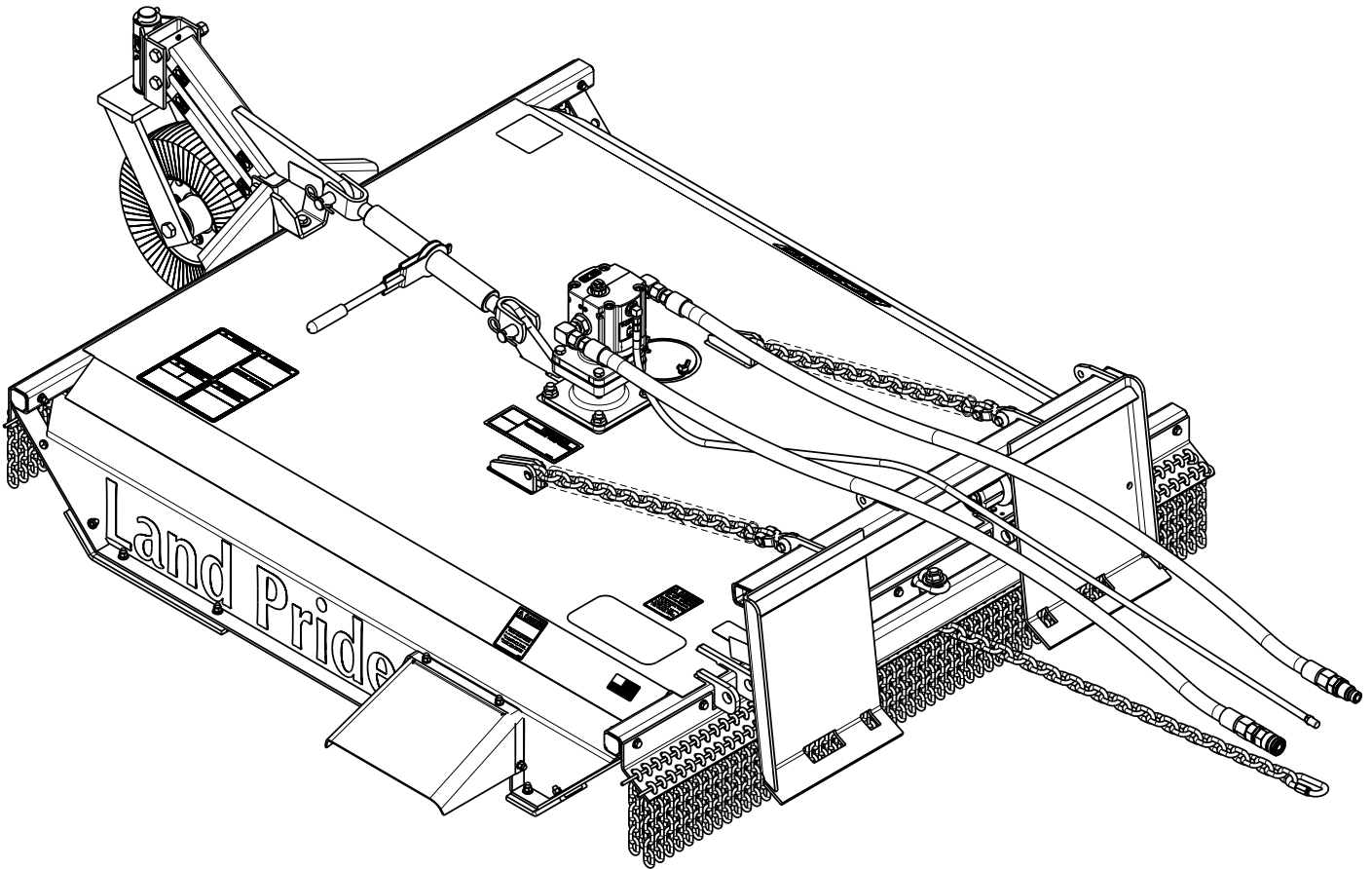


Rotary Cutter

SC2660 & SC2672 Skid Steer



24538

326-025M Operator's Manual



Read the Operator's manual entirely. When you see this symbol, the subsequent instructions and warnings are serious - follow without exception. Your life and the lives of others depend on it!

© Copyright 2009 Printed 1/07/09

Cover photo may show optional equipment not supplied with standard unit.



Important Safety Information	1	Section 3: Operating Procedures	18
Safety at All Times	1	Operating Information	18
Look For The Safety Alert Symbol	1	Transporting	19
Safety Labels	4	Cutting Instructions	19
Introduction	7	General Operating Instructions	19
Application	7	Skid Steer Operating Instructions	20
Using This Manual	7	Rotary Cutter Operating Instructions	20
Terminology	7	Section 4: Optional Equipment	21
Definitions	7	Front Mounted Gauge Wheel	21
Owner Assistance	8	Skid Shoe Bundles	21
Serial Number Plate	8	Motor and Hose Assembly	21
Further Assistance	8	Extended Hose Kit	22
Section 1: Assembly & Set-up	9	Operator Protective Door	22
Skid Steer Requirements	9	Section 5: Maintenance & Lubrication	23
Dealer Preparations	9	Maintenance	23
Pre-Assembly Checklist	9	Cutter Blade Maintenance	23
Uncrating	9	Skid Shoe Maintenance	24
Float Chain Assembly	9	Hydraulic Maintenance	25
SC2660 Motor And Hose Assembly	10	Storage	25
SC2672 Motor And Hose Assembly	10	Lubrication Points	26
SC2672 Vent Plug With Dipstick	10	Lubrication Points	26
Hitch Hook-Up	11	Hitch Plate Pivot	26
Hydraulic Hose Hook-up	11	Gauge Wheel Parallel Arms	26
Gauge Wheel Assembly (Optional)	12	Gauge Wheel Spindle & Axle Hub	26
Skid Shoe Assembly (Optional)	13	Axle Hub Bearing	26
Operator Protective Door (Optional)	13	Motor Spindle Hub (SC2660 Only)	27
Section 2: Adjustments	14	Gearbox (SC2672 Only)	27
Hitch Positioning	14	Section 6: Specifications & Capacities	28
Hitch Mounted Offset	14	Section 7: Features and Benefits	29
Hitch Mounted Centered	14	Section 8: Troubleshooting	30
Height Adjustment Safety Chain	15	Section 9: Appendix	31
Deck Leveling with Optional Gauge Wheel	16	Torque Values Chart	31
Deck Leveling without Optional Gauge Wheel	17	Notes	32
		Warranty	33

© Copyright 2009 All rights Reserved

Land Pride provides this publication "as is" without warranty of any kind, either expressed or implied. While every precaution has been taken in the preparation of this manual, Land Pride assumes no responsibility for errors or omissions. Neither is any liability assumed for damages resulting from the use of the information contained herein. Land Pride reserves the right to revise and improve its products as it sees fit. This publication describes the state of this product at the time of its publication, and may not reflect the product in the future.

Land Pride is a registered trademark.

All other brands and product names are trademarks or registered trademarks of their respective holders.

Printed in the United States of America.

Important Safety Information

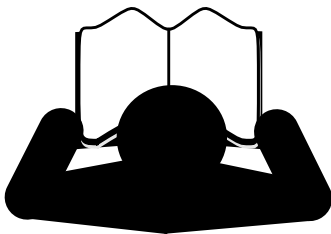
These are common practices that may or may not be applicable to the products described in this manual.

Safety at All Times

Thoroughly read and understand the instructions given in this manual before operation. Refer to the "Safety Label" section, read all instructions noted on them.

Do not allow anyone to operate this equipment who has not fully read and comprehended this manual and who has not been properly trained in the safe operation of the equipment.

- ▲ Operator should be familiar with all functions of the unit.
- ▲ Operate implement from the driver's seat only.
- ▲ Make sure all guards and shields are in place and secured before operating the implement.
- ▲ Do not leave tractor or implement unattended with engine running.
- ▲ Dismounting from a moving tractor could cause serious injury or death.
- ▲ Do not allow anyone to stand between the tractor and implement while backing up to the implement.
- ▲ Keep hands, feet, and clothing away from power-driven parts.
- ▲ Wear snug fitting clothing to avoid entanglement with moving parts.
- ▲ Watch out for wires, trees, etc., when raising implement. Make sure all persons are clear of working area.
- ▲ Turning tractor too tight may cause implement to ride up on wheels. This could result in injury or equipment damage.
- ▲ Do not carry passengers on implement at any time.



Look For The Safety Alert Symbol

The SAFETY ALERT SYMBOL indicates there is a potential hazard to personal safety involved and extra safety precaution must be taken. When you see this symbol, be alert and carefully read the message that follows it. In addition to design and configuration of equipment, hazard control and accident prevention are dependent upon the awareness, concern, prudence and proper training of personnel involved in the operation, transport, maintenance and storage of equipment.

Be Aware of Signal Words

A Signal word designates a degree or level of hazard seriousness. The signal words are:

DANGER

Indicates an imminently hazardous situation which, if not avoided, will result in death or serious injury. This signal word is limited to the most extreme situations, typically for machine components that, for functional purposes, cannot be guarded.

WARNING

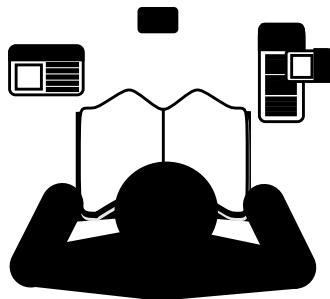
Indicates a potentially hazardous situation which, if not avoided, could result in death or serious injury, and includes hazards that are exposed when guards are removed. It may also be used to alert against unsafe practices.

CAUTION

Indicates a potentially hazardous situation which, if not avoided, may result in minor or moderate injury. It may also be used to alert against unsafe practices.

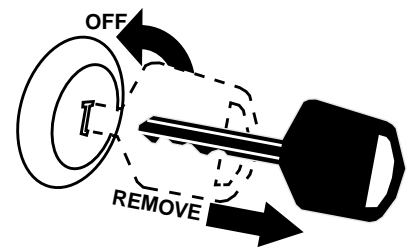
For Your Protection

- ▲ Thoroughly read and understand the "Safety Label" section, read all instructions noted on them.



Shutdown and Storage

- ▲ Lower machine to ground, put tractor in park, turn off engine, and remove the key.
- ▲ Detach and store implements in a area where children normally do not play. Secure implement by using blocks and supports.

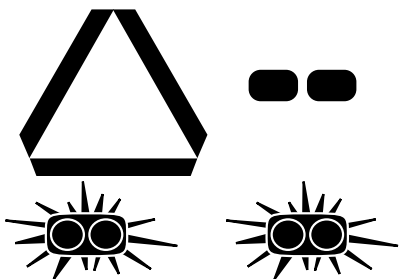


Important Safety Information

These are common practices that may or may not be applicable to the products described in this manual.

Use Safety Lights and Devices

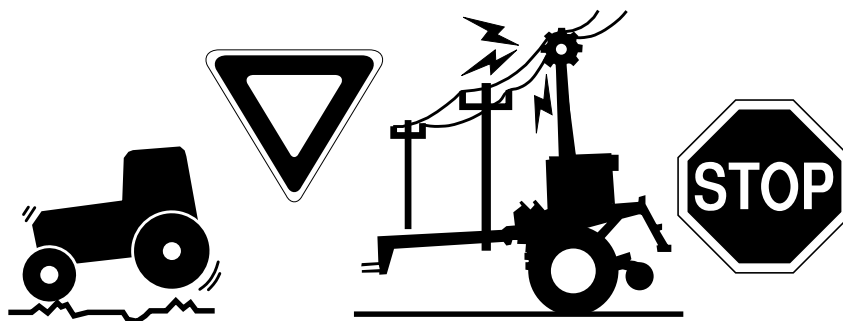
- ▲ Slow moving tractors, self-propelled equipment, and towed implements can create a hazard when driven on public roads. They are difficult to see, especially at night.
- ▲ Flashing warning lights and turn signals are recommended whenever driving on public roads.



Transport Machinery Safely

- ▲ Comply with state and local laws.
- ▲ Maximum transport speed for implement is 20 mph. **DO NOT EXCEED.** Never travel at a speed which does not allow adequate control of steering and stopping. Some rough terrain require a slower speed.
- ▲ Sudden braking can cause a towed load to swerve and upset. Reduce speed if towed load is not equipped with brakes.

- ▲ Use the following maximum speed - tow load weight ratios as a guideline:
20 mph when weight is less than or equal to the weight of tractor.
10 mph when weight is double the weight of tractor.
- IMPORTANT:** Do not tow a load that is more than double the weight of tractor.



Use A Safety Chain

- ▲ A safety chain will help control drawn machinery should it separate from the tractor drawbar.
- ▲ Use a chain with the strength rating equal to or greater than the gross weight of the towed machinery.
- ▲ Attach the chain to the tractor drawbar support or other specified anchor location. Allow only enough slack in the chain to permit turning.
- ▲ Do not use safety chain for towing.



Practice Safe Maintenance

- ▲ Understand procedure before doing work. Use proper tools and equipment, refer to Operator's Manual for additional information.
- ▲ Work in a clean dry area.
- ▲ Lower the implement to the ground, put tractor in park, turn off engine, and remove key before performing maintenance.

- ▲ Allow implement to cool completely.
- ▲ Do not grease or oil implement while it is in operation.
- ▲ Inspect all parts. Make sure parts are in good condition & installed properly.
- ▲ Remove buildup of grease, oil or debris.
- ▲ Remove all tools and unused parts from implement before operation.

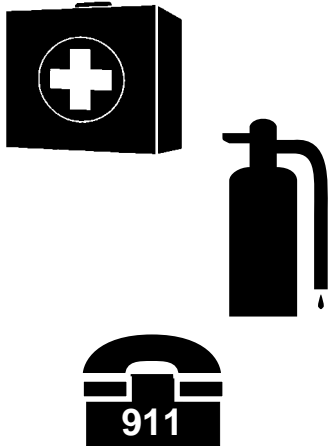


Important Safety Information

These are common practices that may or may not be applicable to the products described in this manual.

Prepare for Emergencies

- ▲ Be prepared if a fire starts.
- ▲ Keep a first aid kit and fire extinguisher handy.
- ▲ Keep emergency numbers for doctor, ambulance, hospital and fire department near phone.

**Wear Protective Equipment**

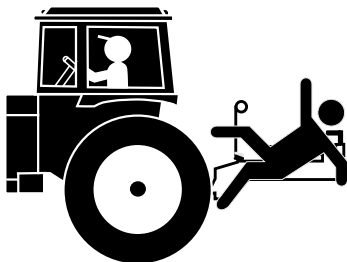
- ▲ Protective clothing and equipment should be worn.
- ▲ Wear clothing and equipment appropriate for the job. Avoid loose fitting clothing.
- ▲ Prolonged exposure to loud noise can cause hearing impairment or hearing loss. Wear suitable hearing protection such as earmuffs or earplugs.
- ▲ Operating equipment safely requires the full attention of the operator. Avoid wearing radio headphones while operating machinery.

**Avoid High Pressure Fluids Hazard**

- ▲ Escaping fluid under pressure can penetrate the skin causing serious injury.
- ▲ Avoid the hazard by relieving pressure before disconnecting hydraulic lines or performing work on the system.
- ▲ Make sure all hydraulic fluid connections are tight and all hydraulic hoses and lines are in good condition before applying pressure to the system.
- ▲ Use a piece of paper or cardboard, NOT BODY PARTS, to check for suspected leaks.
- ▲ Wear protective gloves and safety glasses or goggles when working with hydraulic systems.
- ▲ If an accident occurs, see a doctor immediately. Any fluid injected into the skin must be treated within a few hours or gangrene may result.

**Keep Riders Off Machinery**

- ▲ Riders obstruct the operator's view, they could be struck by foreign objects or thrown from the machine.
- ▲ Never allow children to operate equipment.

**Tire Safety**

- ▲ Tire changing can be dangerous and should be performed by trained personnel using the correct tools and equipment.
- ▲ When inflating tires, use a clip-on chuck and extension hose long enough to allow you to stand to one side and NOT in front of or over the tire assembly. Use a safety cage if available.
- ▲ When removing and installing wheels, use wheel handling equipment adequate for the weight involved.

**Handle Chemicals Properly**

- ▲ Protective clothing should be worn.
- ▲ Handle all chemicals with care.
- ▲ Follow instructions on container label.
- ▲ Agricultural chemicals can be dangerous. Improper use can seriously injure persons, animals, plants, soil, and property.
- ▲ Inhaling smoke from any type of chemical fire is a serious health hazard.
- ▲ Store or dispose of unused chemicals as specified by the chemical manufacturer.



Important Safety Information

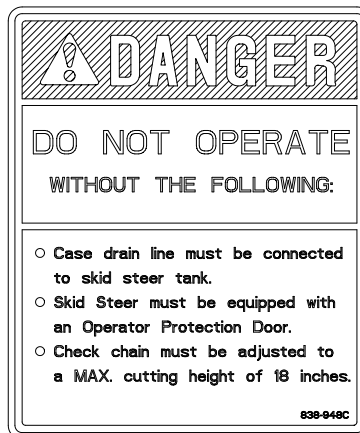
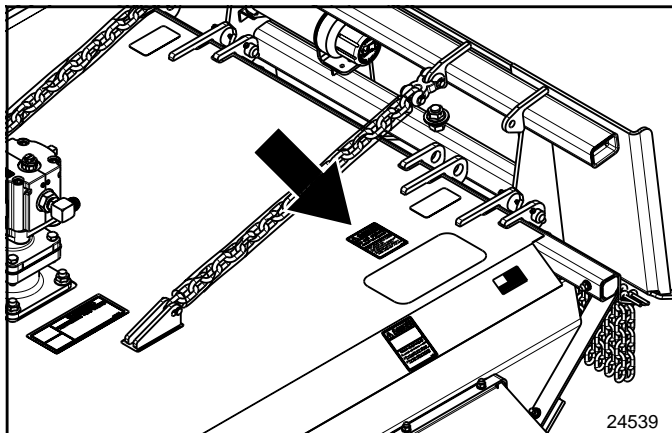
Safety Labels

Your Rotary Cutter comes equipped with all safety labels in place. They were designed to help you safely operate your implement. Read and follow their directions.

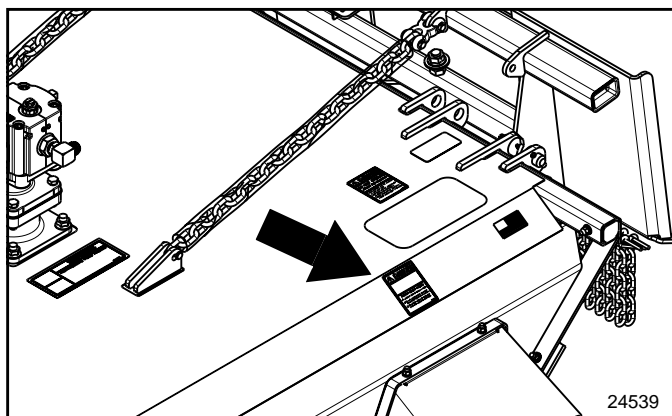
1. Keep all safety labels clean and legible.
2. Replace all damaged or missing labels. To order new labels go to your nearest Land Pride dealer or visit our dealer locator at landpride.com.
3. Some new equipment installed during repair requires safety labels to be affixed to the replaced component as

specified by Land Pride. When ordering new components make sure the correct safety labels are included in the request.

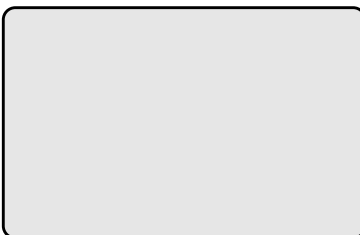
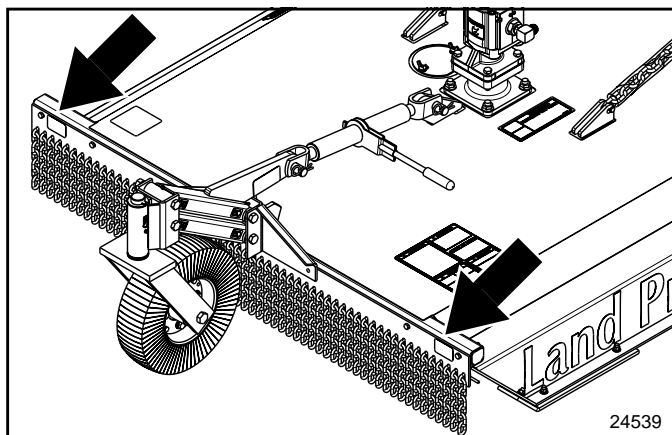
4. Refer to this section for proper label placement. To install new labels:
 - a. Clean the area the label is to be placed.
 - b. Spray soapy water on the surface where the label is to be placed.
 - c. Peel backing from label. Press firmly onto the surface.
 - d. Squeeze out air bubbles with the edge of a credit card.



838-948C
Danger: Do Not Operate

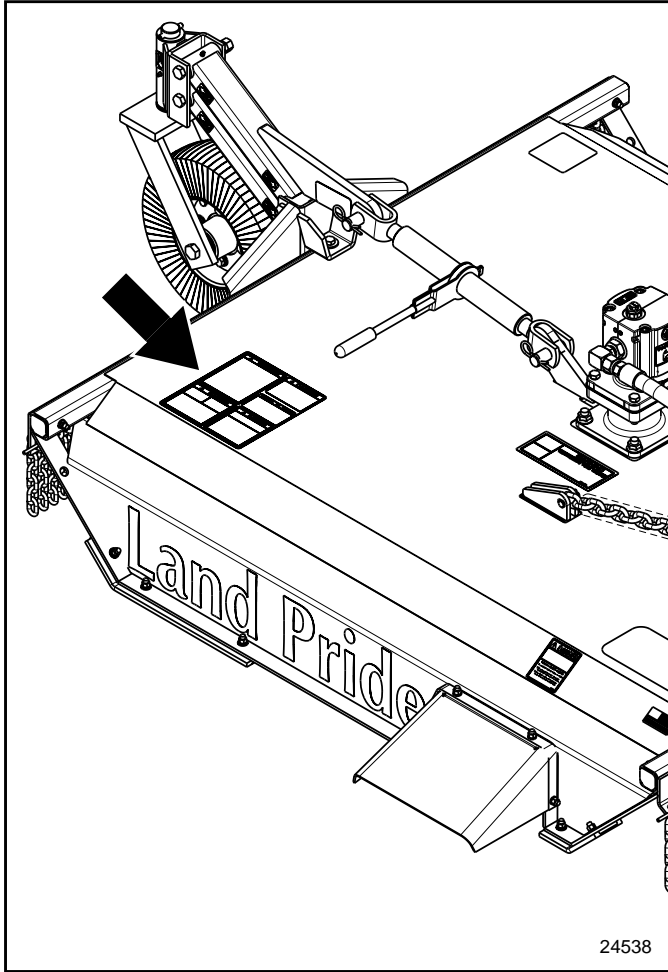


818-556C
Danger: Thrown Objects



818-229C
Amber Reflector

Important Safety Information



WARNING

To prevent serious injury or death:

- Read and understand Operator's Manual before using Revere annually.
- Do not permit riders on the tractor or mower. Never carry children on tractor seat.
- Do not allow children to operate mower.
- Operate only with guards installed and in good condition.
- Keep away from moving parts.
- Operate only with tractor equipped with ROPS and seatbelts.
- Before mowing, clear debris from mowing area.
- Do not operate in the raised position.
- Stop engine, set brake and wait for all moving parts to stop before dismounting.
- Support mower securely before working beneath unit.
- Transport with clean reflectors, SMV and working lights as required by federal, state, and local laws.

Si no lee ingles, pida ayuda a alguien que si lo lee para que le traduzca las medidas de seguridad.

DANGER

KEEP HANDS AND FEET AWAY

NOTICE TO OWNER

An OPERATOR'S MANUAL was attached to this implement during final inspection of the factory. If it was not attached at the time of purchase, please contact your selling dealer at once.

- Read and understand Manual BEFORE operating the implement.
- Pay attention to the safety messages.

DANGER

ROTATING BLADES - KEEP AWAY

To prevent serious injury or death when the engine is running and the blades are rotating.

- Never allow riders, especially children, on tractor or mower.
- Do not operate with bystanders in mowing area.
- Do not operate with deflectors/guards removed.
- Do not place hands or feet under deck

DANGER

THROWN OBJECT HAZARD

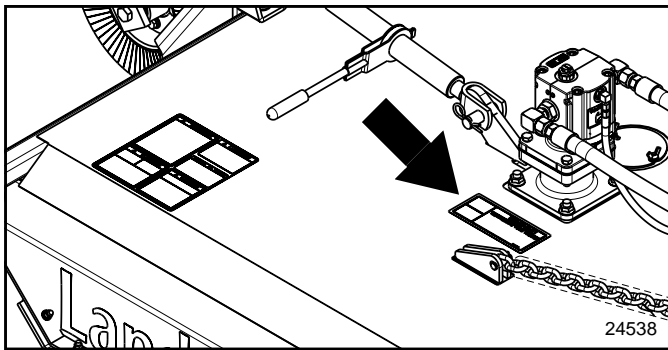
To prevent serious injury or death:

- Do not operate unless all guards are installed and in good condition.
- Stop blade rotation if by standards cone within several hundred feet

818-830C

818-830C
Safety Combo

- Danger: Keep Hands & Feet Away
- Danger: Thrown Object Hazard
- Danger: Rotating Blade Hazard
- Warning: General Safety
- Notice: Read Manual - Observe Safety Messages



WARNING

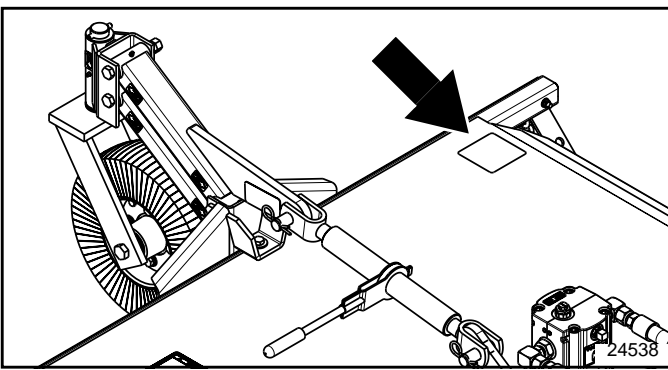
HIGH-PRESSURE FLUID HAZARD

To prevent serious injury or death

- Relieve pressure on hydraulic system before servicing or disconnecting hoses.
- Wear proper hand and eye protection when searching for leaks. Use wood or cardboard
- Keep all components in good repair.

15

818-831C
Warning: High Pressure



DANGER

ROTATING BLADES-KEEP AWAY

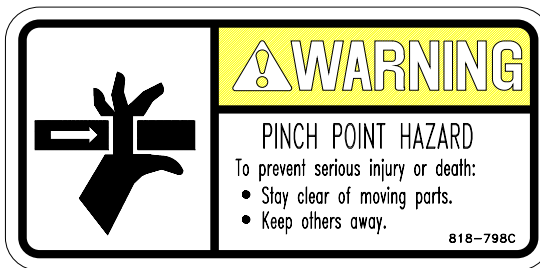
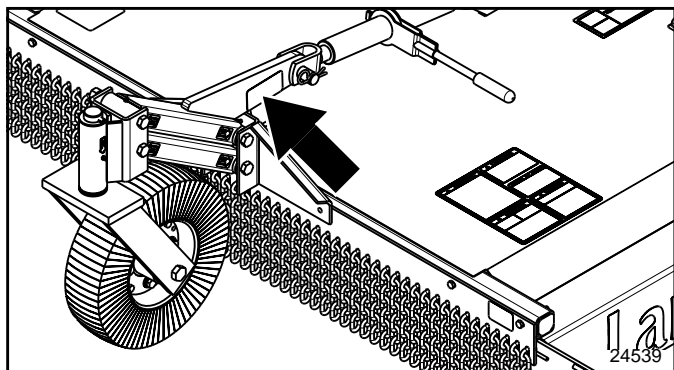
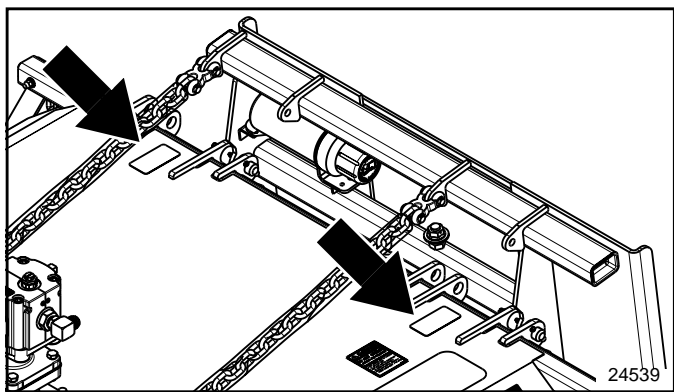
To prevent serious injury or death from rotating blade contact:

- Never allow riders, especially children, on tractor.
- Do not operate with bystanders in mowing area.
- Do not operate with deflectors/guards removed.
- Do not place hands or feet under deck when operating or when engine is running.

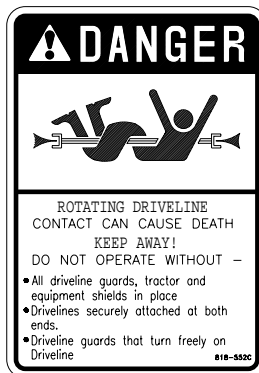
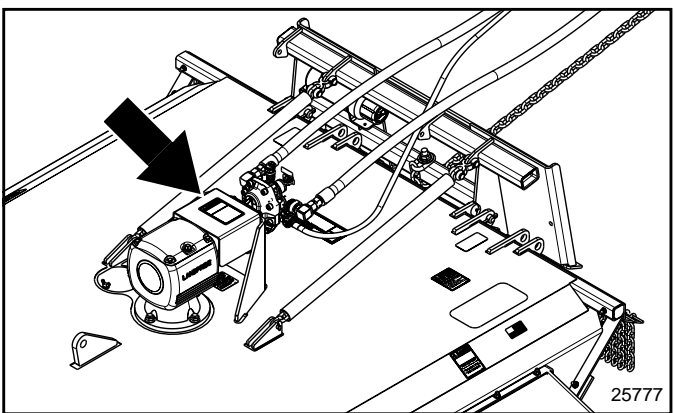
818-555C

818-555C
Danger: Rotating Blade Hazard

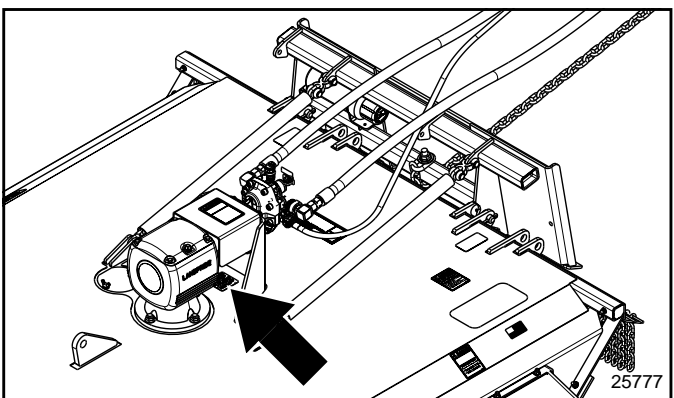
Important Safety Information



818-798C
Warning: Pinch Point Hazard
3-Places



818-552C
Danger: Rotating Driveline (SC2672 Only)



818-543C
Danger: Guard Missing (SC2672 Only)

Introduction

Land Pride welcomes you to the growing family of new product owners.

This Rotary Cutter has been designed with care and built by skilled workers using quality materials. Proper assembly, maintenance and safe operating practices will help you get years of satisfactory use from the machine.

Application

The SC2660 and SC2672 Series Skid Steer Rotary Cutters are built and designed by Land Pride for cutting on gently sloping or slightly contoured right-of-ways, pastures, set aside acres, and row crop fields. These skid steer mounted cutters provide unparalleled access to tightly restricted areas such as under fences, in and around boxed in corner sections of corrals and out buildings, vineyard and nursery rows, wooded lots, and approaches to ditches and waterways. The 60" or 72" cutting width, 8" offset capability to the right, 2" cutting capacity, 1.5" to 18" cutting height range, and the universal skid steer floating-hitch mounting plate make the SC2660 and SC2672 highly versatile and easy to use. The SC2660 is compatible with and designed for attachment to skid steers having 1500 psi to 3000 psi operating pressure and flow rates in the 11-15 gpm, 15-21 gpm, or 18-27 gpm ranges. The SC2672 is compatible with and designed for attachment to skid steers having 1500 psi to 3000 psi operating pressure and flow rates in the 15-21 gpm, or 18-27 gpm ranges.

The SC2660 and SC2672 provide very high and clean cutting blade tip speeds but owner/operators will need to select the motor that is appropriately matched to their skid steers hydraulic flow and pressure capabilities. Our low volume motor, which is available on the SC2660 only, produces a blade tip speed of 18,540 fpm at 15 gpm. Medium volume and high volume motors are available for both models. On the SC2660, our medium volume motor produces 18,850 fpm at 21 gpm, and our high volume motor produces 19,000 fpm at 27 gpm. On the SC2672, our medium volume motor produces 17,200 fpm at 21 gpm, and our high volume motor produces 18,550 fpm at 27 gpm. Each unit is equipped with two 1/2" x 4" updraft blades and a heavy duty round pan stump jumper. A deflector chute is located to the left rear side of the cutter to prevent clogging in heavy cutting conditions.

The SC2660 and SC2672 come standard with a front mounted single row chain guard, a rear mounted double row chain guard, and a safety chain to restrict deck lift height. Four corner-mounted skid shoes are provided to reduce wear and to keep the cutter from bottoming out. A Lexan protective cab door is available as optional equipment or owner/operators may choose to use a protective door provided or made available by their skid steer supplier/manufacturer.

A pivoting and adjustable front mounted gauge wheel with a single laminated tire is available to make mowing even easier by pre-setting the mowing height and allowing the cutter to float over uneven terrain. Hydraulic hoses and a case-drain line are provided as standard equipment but compatible couplers for attachment to the individual skid steers auxiliary hydraulic outlets will need to be provided by dealers or customers.

The addition of a Land Pride SC2660 or SC2672 Skid Steer Rotary Cutter to your arsenal of skid steer attachments will dramatically increase the versatility and value of your personal skid steer investment.

See "**Section 6: Specifications & Capacities**" on page 28 and "**Section 7: Features and Benefits**" on page 29 for additional information and performance enhancing options.

Using This Manual

- This Operator's Manual is designed to help familiarize you with safety, assembly, operation, adjustments, troubleshooting, and maintenance. Read this manual and follow the recommendations to help ensure safe and efficient operation.
- The information contained within this manual was current at the time of printing. Some parts may change slightly to assure you of the best performance.
- To order a new Operator's or Parts Manual contact your authorized dealer. Manuals can also be downloaded, free-of-charge from our website at www.landpride.com.
- Store your Operator's manual in the dry storage tube for future reference. See Figure 1 on page 8 for location of storage tube.

Terminology

"Right" or "Left" as used in this manual is determined by facing the direction the machine will operate while in use unless otherwise stated.

Definitions

NOTE: A special point of information that the operator must be aware of before continuing.

IMPORTANT: A special point of information related to its preceding topic. Land Pride's intention is that this information should be read and noted before continuing.

Introduction

Owner Assistance

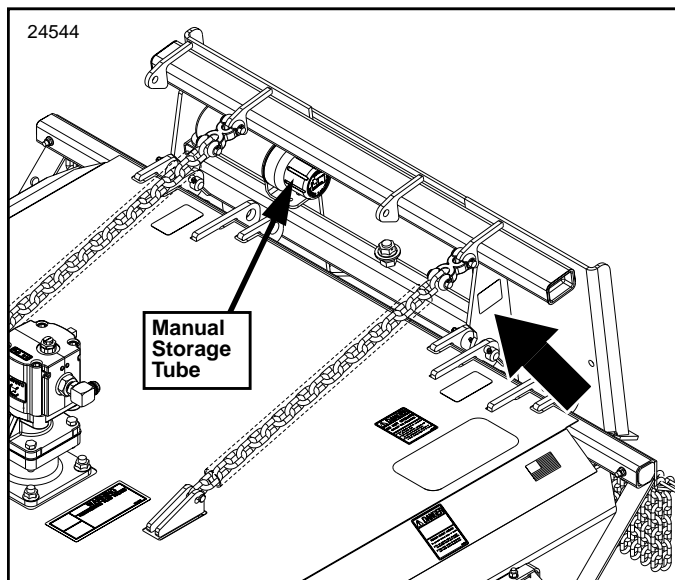
The Warranty Registration card should be filled out by the dealer at the time of purchase. This information is necessary to provide you with quality customer service.

If customer service or repair parts are required contact a Land Pride dealer. A dealer has trained personnel, repair parts and equipment needed to service the Rotary Cutter.

The parts on your Rotary Cutter have been specially designed and should only be replaced with genuine Land Pride parts. Therefore, should your cutter require replacement parts go to your Land Pride Dealer.

Serial Number Plate

For prompt service always use the serial number and model number when ordering parts from your Land Pride dealer. Be sure to include your serial and model numbers in correspondence also. Refer to Figure 1 for the location of your serial number plate.



Serial Number Plate Location
Figure 1

Further Assistance

Your dealer wants you to be satisfied with your new Rotary Cutter. If for any reason you do not understand any part of this manual or are not satisfied with the service received, the following actions are suggested:

1. Discuss the matter with your dealership service manager making sure he is aware of any problems you may have and that he has had the opportunity to assist you.
2. If you are still not satisfied, seek out the owner or general manager of the dealership, explain the problem and request assistance.
3. For further assistance write to:

Land Pride Service Department
1525 East North Street
P.O. Box 5060
Salina, Ks. 67402-5060

E-mail address
lp servicedept@landpride.com

Section 1: Assembly & Set-up

Skid Steer Requirements

The Rotary Cutter is designed to attach to Skid Steer Loaders with the following minimum requirements:

SAE Lift Capacity

SAE Lift Capacity 1200 lbs.

Operating Hydraulic Pressure

Hydraulic Pressure Rating 1,500 - 3,000 PSI.

Hydraulic Flow Rate

Low Volume Motor & Hoses 11 - 16 GPM.

Medium Volume Motor & Hoses 17 - 21 GPM.

High Volume Motor & Hoses 22 - 27 GPM.

Hydraulic Connections

Hydraulic Hoses 2 - Hydraulic Outlets

Case Drain Hose 1 - Hydraulic Outlet

IMPORTANT: Skid Steer must be equipped with a case drain system.

Protective Equipment

The Skid Steer **MUST** be equipped with a protective door shield. A universal operator protective door shield is available from Land Pride. Refer to Page 13 and 22 for additional information and installation.

IMPORTANT: Ballast may need to be added to your Skid Steer to maintain steering control and to prevent tipping of the Skid Steer. Refer to your Skid Steer's operator manual to determine if additional ballast is needed.

Dealer Preparations

Pre-Assembly Checklist	
<input type="checkbox"/>	All hardware from the factory has been installed. If a part or fastener is temporarily removed for assembly reasons, remember where it goes. Keep parts separated.
<input type="checkbox"/>	Be sure the parts get used in the correct location. By double checking while you assemble, you will lessen the chance of using a bolt incorrectly that may be needed later. Use Parts Manual to identify location of parts you are unsure of where they are used.
<input type="checkbox"/>	All grease fittings are in place and lubricated.
<input type="checkbox"/>	Miscellaneous assembly tools: hammer, tape measure, assortment of wrenches and spirit level.
<input type="checkbox"/>	Have fork lift or loader along with chains and safety stands sized for the job ready for the assembly task.
<input type="checkbox"/>	Auxiliary weights (depending on Skid Steer size).
<input type="checkbox"/>	Have a minimum of 2 people at hand while assembling.
<input type="checkbox"/>	Safety decals are legible and undamaged.
<input type="checkbox"/>	Loose parts bag/box shipped with the Rotary Cutter.

Read and understand the operator's manual for your cutter. An understanding of how it works will aid in the assembly and setup of your cutter.

This Rotary Cutter has been partially assembled at the factory. However, some assembly will be necessary.

It is best to go through the **Pre-Assembly Checklist** before assembling the cutter. Speed up your assembly task and make the job safer by having all the needed parts and equipment readily at hand.

Ensure that the intended Skid Steer conforms to the requirements stated under the heading "Skid Steer Requirements" on page 9.

Uncrating



Do not remove cutter from crate until after it has been securely supported with an overhead crane, fork lift or other suitable equipment. Cutter can fall and injury someone if crating hardware is removed before properly supporting the deck.

1. Secure deck with an overhead crane, fork lift or other suitable means before cutting shipping support bands and unbolting cutter from shipping crate.
2. Cut bands securing parts bags to the shipping crate.
3. Remove bolts securing hitch to the shipping crate.
4. Cut center band securing hitch to shipping crate.
5. Carefully lower cutter onto its skids or onto support stands capable of supporting the cutter.
6. Remove wood from under the front chain guard.

Float Chain Assembly

Refer to Figure 1-1:

1. (Not Shown) Unbolt and remove shipping brace bars extending from hitch plate to center of deck.
2. Attach clevis end (#1) of float chains (#4) to hitch plate with 9/16" clevis pins (#2) and cotter pins (#3). Bend cotter pin legs to keep them from falling out.
3. Install other end of float chains (#4) to deck with 1/2" clevis pins (#5) and 1/8" cotter pins (#6). Bend cotter pin legs to keep them from falling out.

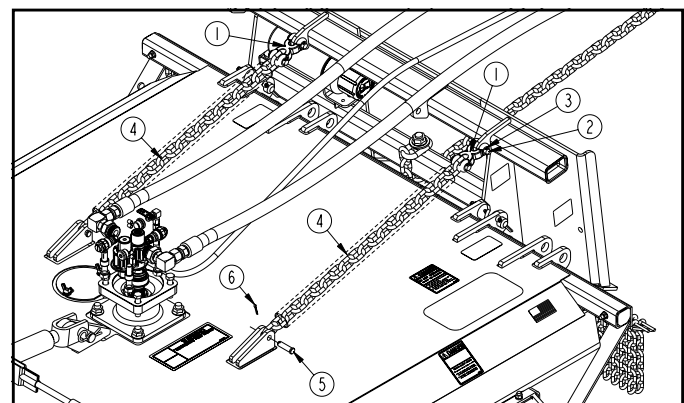


Figure 1-1

Section 1: Assembly & Set-up

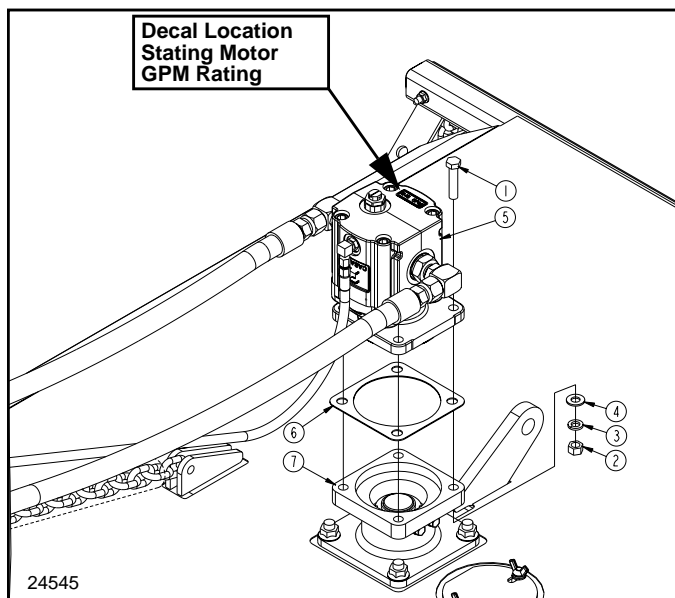
SC2660 Motor And Hose Assembly

Your Skid Steer Rotary Cutter is factory supplied with one of three motors mounted to the deck. Make sure you check GPM rating on the hydraulic motor decal to verify if it matches your Skid Steer's GPM rating. Skip assembly instructions below if the motor GPM rating matches your Skid Steer.

See "Motor and Hose Assembly" on page 21 to properly select a motor that matches your Skid Steer.

Refer to Figure 1-2:

1. Remove fasteners (#1, 2, 3 & 4). Keep fasteners for reassembly of new motor.
2. Remove existing motor and hose assembly (#5). Clean old gasket material (#6) from gearbox flange (#7).
3. Place new gasket (#6) onto gearbox flange (#7).
4. Gently lower new motor and hose assembly (#5) onto gasket (#6) with hoses extending towards the hitch plate.
5. Secure hydraulic motor assembly with the four existing 1/2"-13 x 2 1/4" lg. GR 5 hex head bolts (#1), flat washers (#4), lock washers (#3) and 1/2"-13 hex nuts (#2). Tighten nuts to the correct torque. See "Torque Values Chart" on page 31.



SC2660 Motor and hose Assembly
Figure 1-2

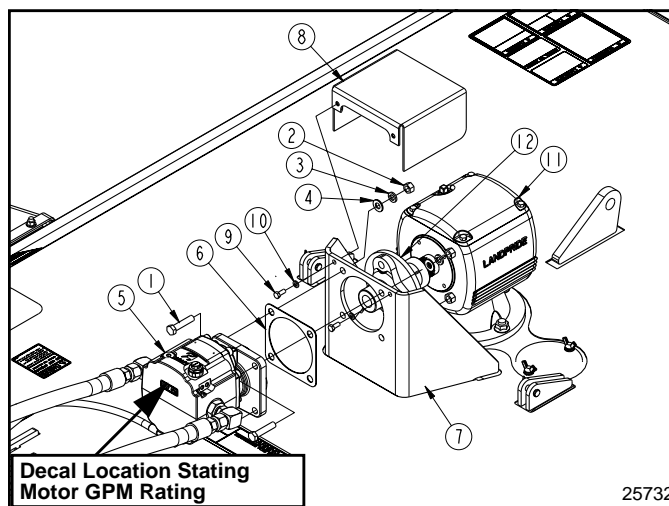
SC2672 Motor And Hose Assembly

Your Skid Steer Rotary Cutter is factory supplied with one of three motors mounted to the deck. Make sure you check GPM rating on the hydraulic motor decal to verify if it matches your Skid Steer's GPM rating. Skip assembly instructions below if the motor GPM rating matches your Skid Steer.

See "Motor and Hose Assembly" on page 21 to properly select a motor that matches your Skid Steer.

Refer to Figure 1-3:

1. Remove fasteners (#9 & #10) and coupling guard (#8). Keep fasteners and coupling guard for reassembly of new motor.
1. Remove fasteners (#1, 2, 3 & 4). Keep fasteners for reassembly of new motor.
2. Remove existing motor and hose assembly (#5). Clean old gasket material (#6) from mounting flange (#7).
3. Place new gasket (#6) onto mounting flange (#7).
4. Gently slide new motor and hose assembly (#5) onto coupling (#12) with hoses extending towards the hitch plate.
5. Secure hydraulic motor assembly with the four existing 1/2"-13 x 2 1/4" lg. GR 5 hex head bolts (#1), flat washers (#4), lock washers (#3) and 1/2"-13 hex nuts (#2). Tighten nuts to the correct torque. See "Torque Values Chart" on page 31.
6. Reattach coupling guard (#8) with 5/16" spring lock washers (#10) and 5/16"-18 x 3/4" GR5 hex head cap screws (#9). Tighten nuts to correct torque.



SC2672 Motor and hose Assembly
Figure 1-3

SC2672 Vent Plug With Dipstick

IMPORTANT: Ref. Figure 1-4. A solid plug is shipped with the gearbox to prevent loss of oil during shipping and handling. Before operating the cutter, this plug must be replaced with the vent plug and dipstick included with this manual.

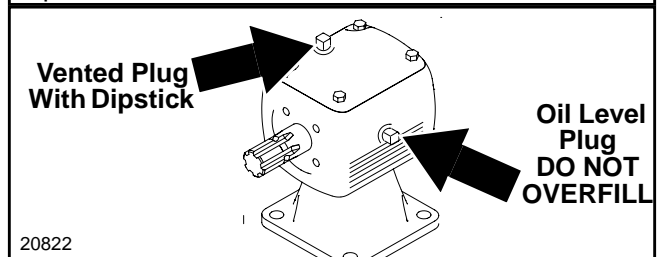


Figure 1-4

Section 1: Assembly & Set-up

Hitch Hook-Up

Refer to Figure 1-5:

CAUTION

Do not stand between Skid Steer loader and implement during hookup.

1. Make sure hydraulic hoses and height adjustment safety chain do not interfere with hitch hook-up.
2. Drive Skid Steer slowly to the Rotary Cutter making sure the front hitch plate of the Skid Steer is parallel with the Rotary Cutter hitch.
3. Tilt top of Skid Steer hitch plate slightly forward.
4. Place top of Skid Steer hitch plate under the Rotary Cutter top angle bar.
5. Slowly lift Skid Steer's hitch until Rotary Cutter's hitch and Skid Steer's top angle bar have come together.
6. Push lock handles of the Skid Steer down so that the pins go through the bottom slots of the Rotary Cutter's hitch and the handles lock down.
7. Loop height adjustment safety chain forward down and under 2" x 3" tube and then attach to Skid Steer's lower hitch loop. See "Height Adjustment Safety Chain" on page 15.

Hydraulic Hose Hook-up

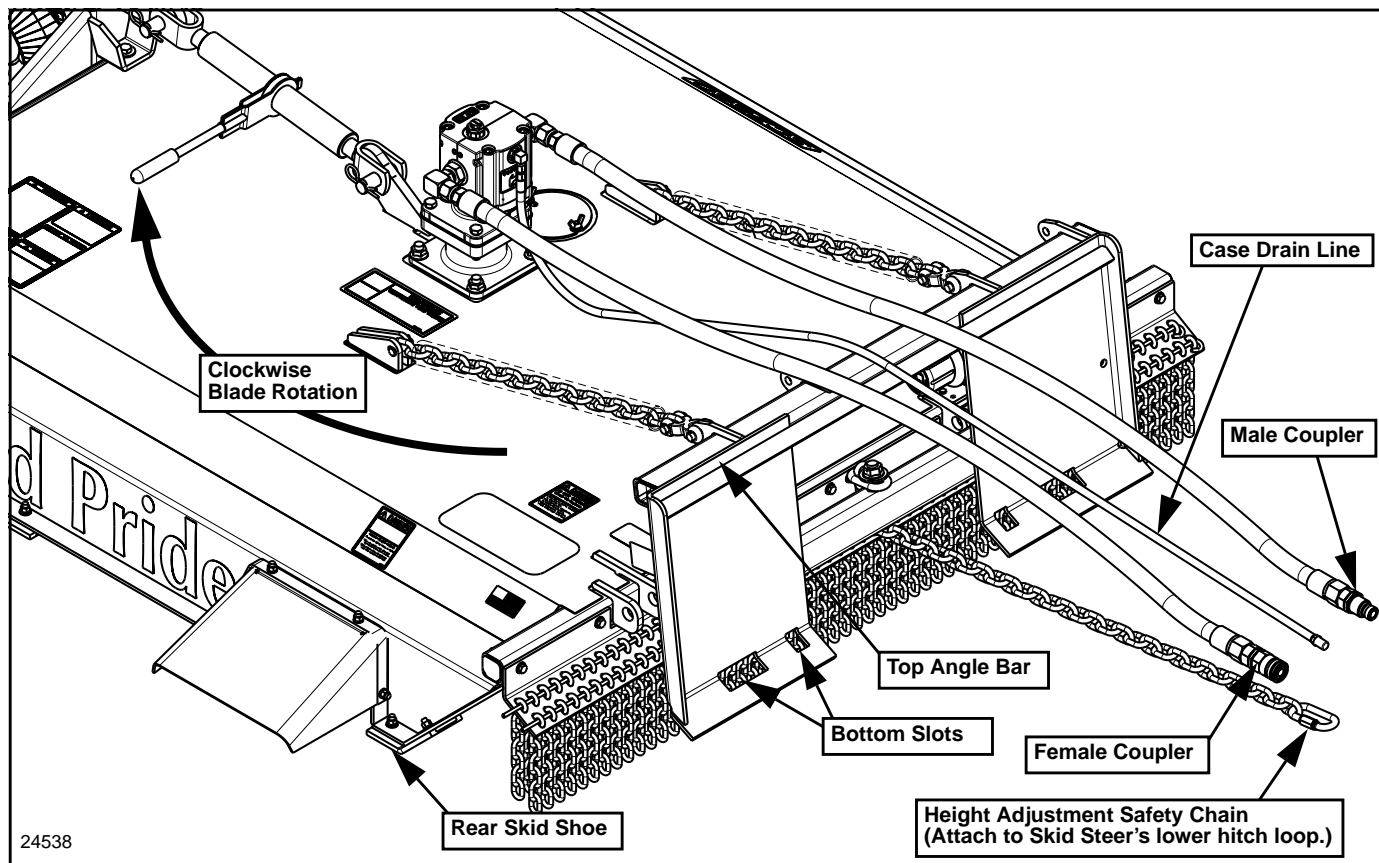
Refer to Figure 1-5:

Two high pressure hydraulic outlets are required for the hydraulic motor hoses and one outlet for the case drain hose.

DANGER

Hydraulic fluid under pressure can penetrate skin. Wear protective gloves and safety glasses or goggles when working with hydraulic systems. Use a piece of cardboard or wood rather than hands when searching for hydraulic leaks. If hydraulic fluid is injected into the skin, it must be treated by a doctor within a few hours or gangrene may result.

1. Remove plastic cap from case drain hose and attach hydraulic coupler (supplied by customer) to the hose.
2. Connect case drain hose to reservoir outlet.
3. Connect male and female couplers on the hydraulic motor hoses to the Skid Steer high pressure outlets.
4. Operate skid steer to check blade rotation. Cutter blades should rotate clockwise when looking at the blades from above. If cutter blades are rotating counterclockwise, switch male and female couplers and reconnect to skid steer outlets.



Skid Steer Hook--Up
Figure 1-5

Section 1: Assembly & Set-up

Gauge Wheel Assembly (Optional)

Required Tools:

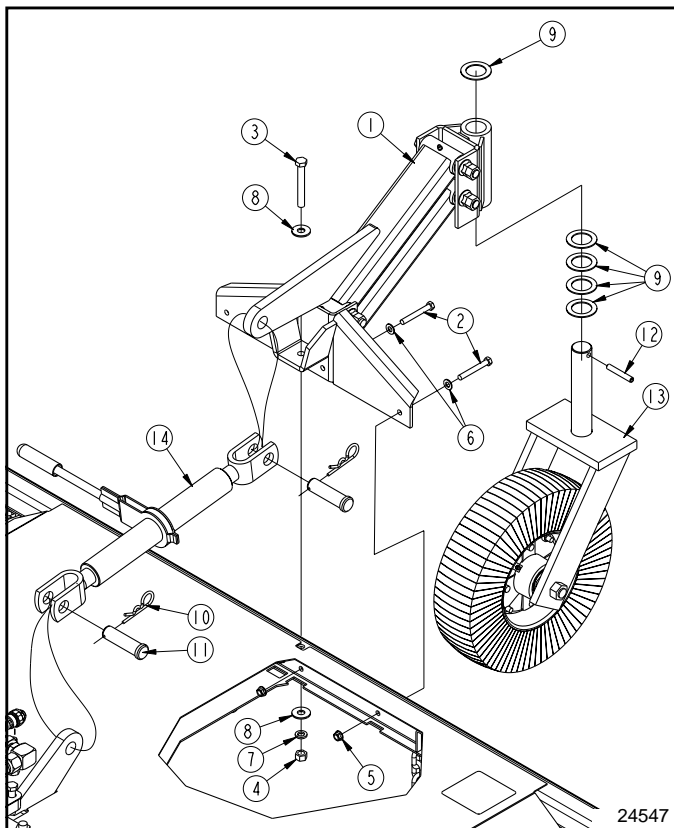
- 1 ea. - Small hammer
- 2 ea. - 1/2" drift punches or alignment tools
- 2 ea. - 9/16" box end wrench
- 2 ea. - 3/4" box end wrench
- 1 ea. - Torque wrench with 9/16" and 3/4" sockets

Assembly Instructions:

Refer to Figure 1-6:

IMPORTANT: Do not enlarge any of the 5 bolt holes used for mounting the gauge wheel. Enlarging bolt holes can severely decrease the longevity of your gauge wheel operation.

1. Remove four 3/8"-16 x 3" lg. GR5 hex head bolts (#2) in the center of the front chain guard. Keep bolts, washers and whiz nuts for reassembly of gauge wheel arm (#1).
2. Install gauge wheel deck mount (#1) by inserting 1/2" x 3 3/4" lg. GR8 bolt (#3) through 1/2" flat washer (#8), gauge wheel mounting bracket (#1) and deck tube. Secure bolt with 1/2" flat washer (#8), lock washer (#7) and hex nut (#4). **Do not** torque nut at this time. Finger tighten nut only.
3. Check alignment of gauge wheel front mount holes with chain guard holes. Skip to step 4 if mounting holes are in alignment. If gauge wheel mounting holes are not in alignment, loosen remaining chain guard bolts and realign chain guard as follows.
 - a. Realign chain guard by inserting drift punches in the outer two gauge wheel mounting holes. Tap punches in with a hammer until secure. **Do not** remove punches at this time.
 - b. Insert 3/8"-16 x 3" lg. GR5 bolts (#2) with 3/8" flat washers (#6) through the two inside holes. Secure bolts with 3/8" whiz nuts (#5). Tighten bolts to 31 ft-lbs.
 - c. Remove left hand drift punch and install 3/8" x 3" lg. GR5 hex bolt (#2), flat washer (#6) and whiz nut (#5). Tighten 3/8" bolt to 31 ft-lbs.
 - d. Remove right hand drift punch and install 3/8" x 3" lg. GR5 hex bolt (#2), flat washer (#6) and whiz nut (#5). Tighten 3/8" bolt to 31 ft-lbs.
 - e. Tighten remaining chain guard bolts to 31 ft-lbs.
 - f. Skip to step 5.
4. If gauge wheel mounting holes are in alignment, Install four 3/8" x 3" lg. GR5 hex bolts (#2), flat washers (#6) and whiz nuts (#5). Tighten 3/8" bolts to 31 ft-lbs.
5. Tighten 1/2" gauge wheel top bolt (#3) to 76 ft-lbs.
6. Attach heavy duty ratchet jack (#14) to cutter frame and to gauge wheel deck mount (#1) with 1" x 3 3/16" lg clevis pins (#11). Secure with hair pin cotters (#10).
7. Insert four 1 1/2" I.D. machine washers (#9) over gauge wheel spindle (#13).
8. Insert gauge wheel spindle (#13) through yoke in gauge wheel deck mount (#1) and 1 1/2" I.D. machine washer (#9). Secure gauge wheel with 3/8" x 2 1/2" lg. roll pin (#12).



Gauge Wheel Assembly
Figure 1-6

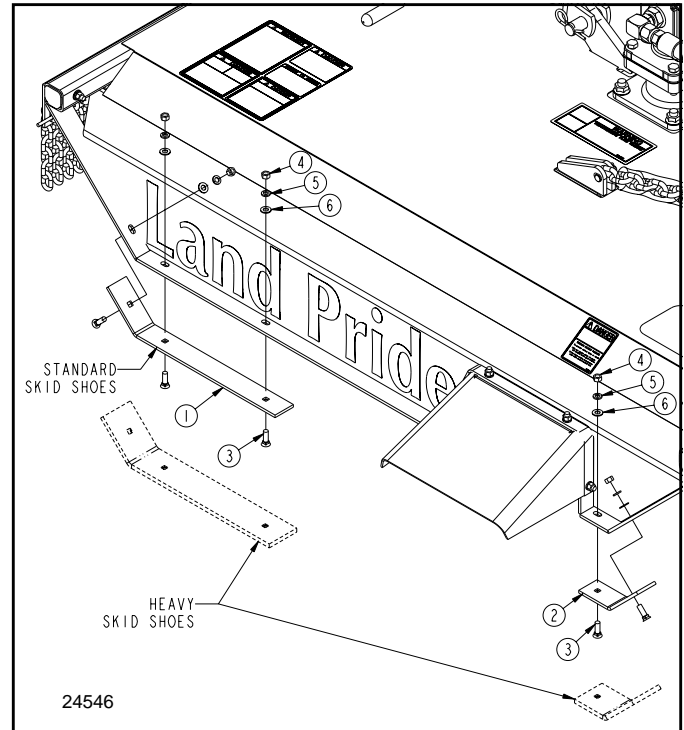
Section 1: Assembly & Set-up

Skid Shoe Assembly (Optional)

Refer to Figure 1-7:

Cutters ordered with skid shoes are shipped loose. Install skid shoes as follows:

1. Raise the Rotary Cutter 3" or more off the ground and place support blocks under the cutter. Make sure support blocks are positioned so they will not interfere with skid shoe installation.
2. Lower cutter onto support blocks, place Skid Steer in park, set park brakes, shut Skid Steer off and remove switch key.
3. Install short skid shoe (#2) to the back left deck corner as shown with 3/8"-16 x 1 1/4 GR5 plow bolts (#2), flat washers (#6), lock washers (#5) and 3/8" lock nuts (#4). Torque lock nuts (#4) to 31 ft-lbs.
4. Install long skid shoes (#1) to the remaining three deck corners with 3/8"-16X1 1/4 GR5 plow bolts (#2), flat washers (#6), lock washers (#5) and 3/8" lock nuts (#4). Torque lock nuts (#4) to 31 ft. lbs.
5. Raise cutter up and remove support blocks.



Skid Shoe Replacement
Figure 1-7

Operator Protective Door (Optional)

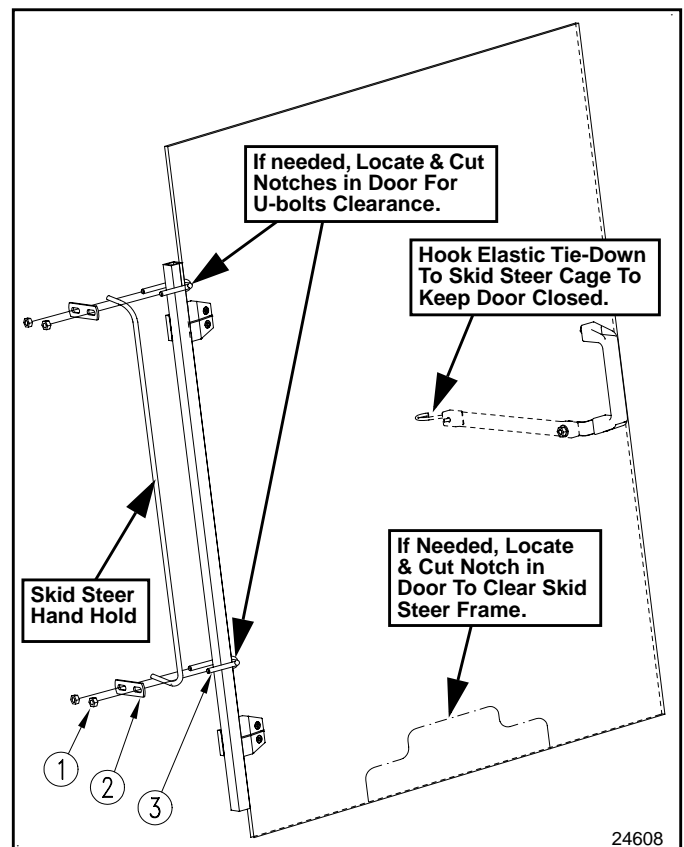
Refer to Figure 1-8:



WARNING

Do not drill holes in the ROPS (Roll Over Protection System) to attach this Operator Protective Door. Drilling unapproved holes in the ROPS can weaken the structure and void its warranty.

1. Cut notches in protective door as needed to provide clearance around u-bolts and Skid Steer frame.
2. Install Operator Protective Door to the Skid Steer's hand hold with two u-bolts (#3), flat bars (#2) and four nuts (#1) as shown. Tighten nuts to correct torque.



Operator Protective Door
Figure 1-8

Section 2: Adjustments

Hitch Positioning

Refer to Figure 2-1:

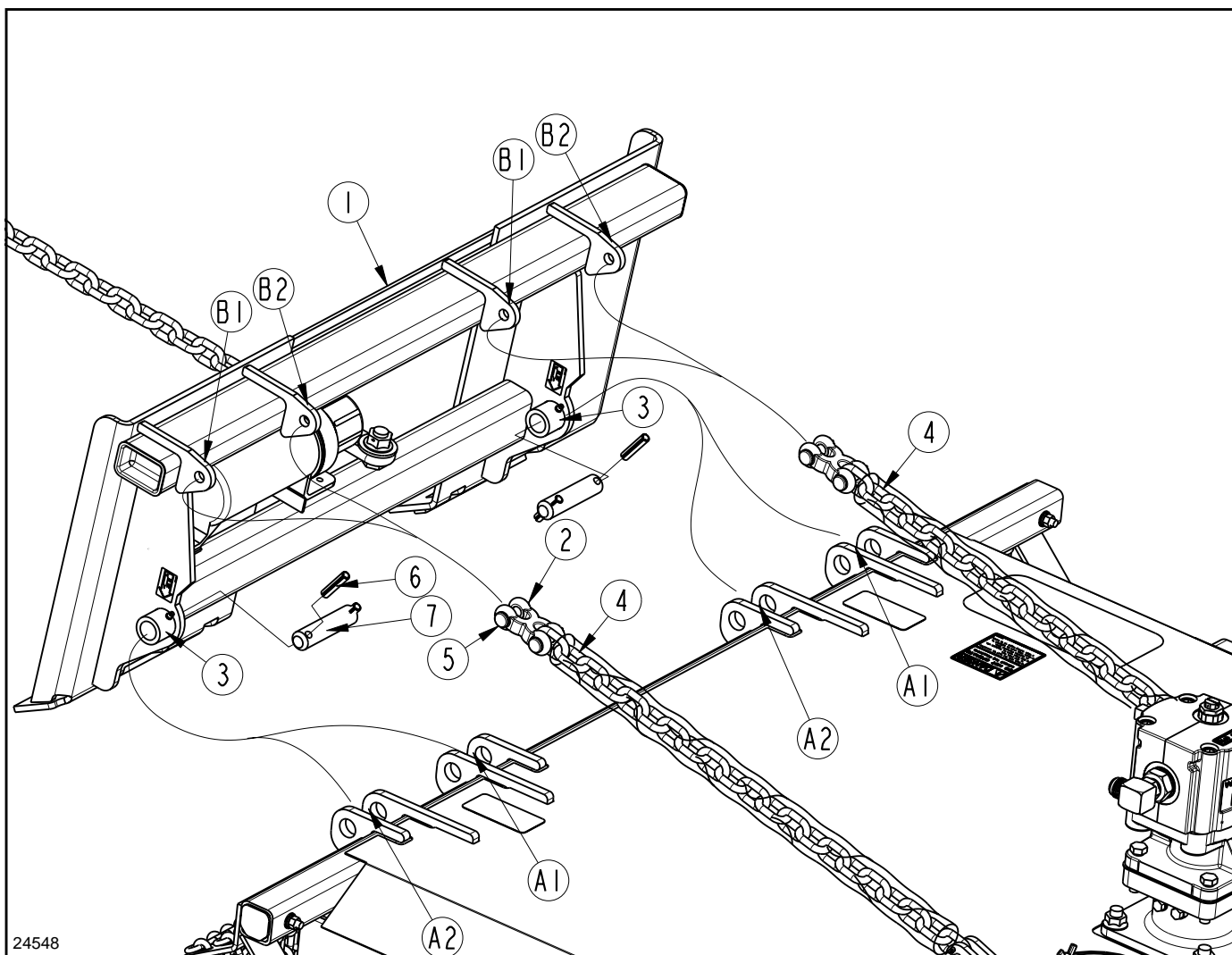
The Rotary Cutter hitch is designed to be centered on the cutter or offset to position the cutter to the right. Offsetting the cutter to the right will allow the unit to cut close to obstacles.

Hitch Mounted Offset

1. Align hitch pivot pin bushings (#3) with cutter mounting lug holes (A1).
2. Insert hitch pivot pins (#7) through mounting lug holes (A1) and hitch bushings (#3).
3. Secure pivot pins by driving roll pins (#6) through pivot pin holes.
4. Attach Floating Chains (#4) to hitch plate lugs at positions marked (B1) with chain pins (#5).
5. Insert cotter pins (#2) through chain pin holes and bend one leg of each cotter pin to secure it in place.

Hitch Mounted Centered

1. Align hitch pivot pin bushings (#3) with cutter mounting lug holes (A2).
2. Insert hitch pivot pins (#7) through mounting lug holes (A2) and bushings (#3).
3. Secure pivot pins by driving roll pins (#6) through pivot pin holes.
4. Attach Floating Chains (#4) to hitch plate lugs at position (B2) with chain pins (#5).
5. Insert cotter pins (#2) through chain pin holes and bend one leg of each cotter pin to secure it in place.



Hitch Offset
Figure 2-1

Section 2: Adjustments

Height Adjustment Safety Chain



WARNING

Always secure cutter deck in the up position with solid supports or by locking the hydraulics before working around or under a raised deck. Never work under equipment supported by hydraulics. Hydraulics can drop equipment if controls are actuated or if hydraulic lines burst. Either situation can drop the cutter instantly even when power to the hydraulics is shut off.



DANGER

Do not raise cutter higher than 16 1/2" off the ground. Raising cutter higher can cause serious bodily injury and/or death. Use safety limit chain to limit cutter height.



DANGER

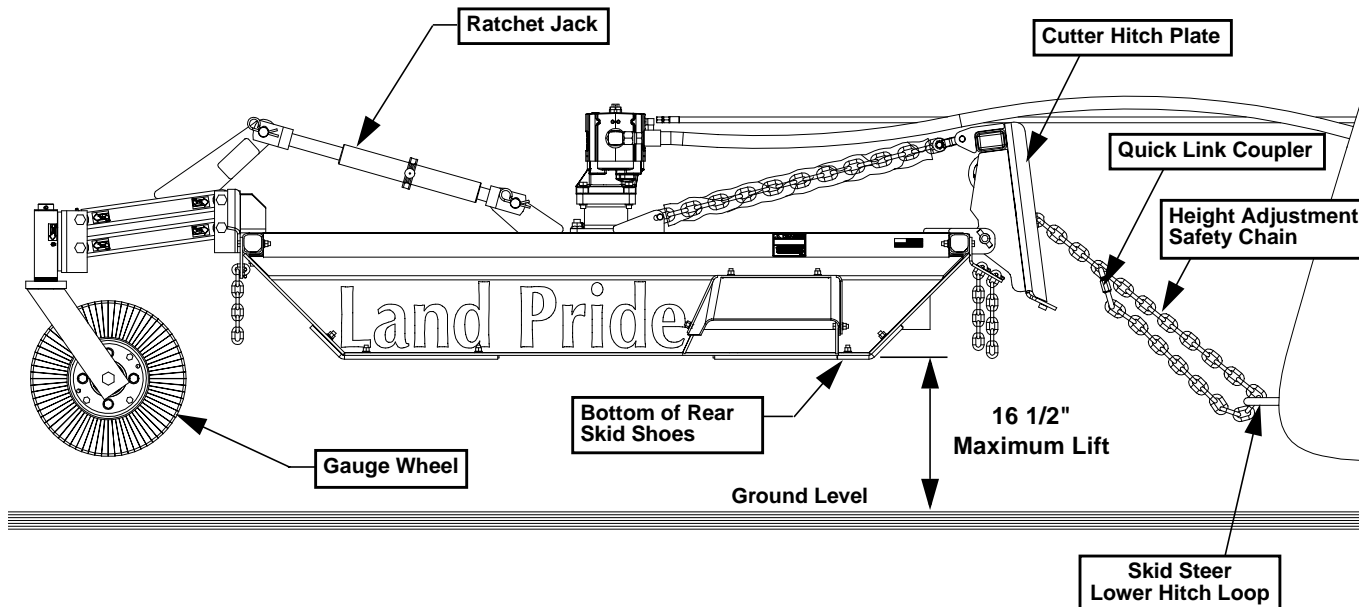
Do not tilt hitch plate to raise front of cutter higher than the rear. Raising front of cutter can cause serious bodily injury and/or death.

Refer to Figure 2-2:

For safety, the cutter rear skid shoes should not be raised higher than 16 1/2" off the ground (18" Maximum cutting height).

NOTE: Two people may be required to install and adjust the safety chain.

1. Raise cutter's rear skid shoes slightly less than 16 1/2" off the ground.
2. Run height adjustment safety chain from under the 2" x 3" hitch tube to the Skid Steer lower hitch loop. Thread chain through the hitch loop and back towards the hitch plate. Connect quick link coupler to a chain loop as shown.
3. Raise cutter up until the safety chain is tight. Check height of rear skid shoes.
4. If rear skid shoes are higher than 16 1/2" above ground level, lower cutter and make necessary adjustments to the safety chain to limit rear skid shoe height to 16 1/2" maximum.
5. Tighten quick link coupler nut to secure safety chain.



24586

Nominal Cutting Height
Figure 2-2

Section 2: Adjustments

Deck Leveling with
Optional Gauge Wheel

Refer to Figure 2-3:

! DANGER

Engage parking brake, disengage power to cutter, shut off Skid Steer, remove key and ensure that all moving parts have come to a complete stop before dismounting from the Skid Steer.

IMPORTANT: The blades should be positioned to cut material only at the front of the cutter. If the deck is level or the rear of the cutter is lower than the front, then the blades are subject to continuous material flow resulting in cutting clumps at the discharge chute, horsepower loss, high blade wear, and frequent blade sharpening.

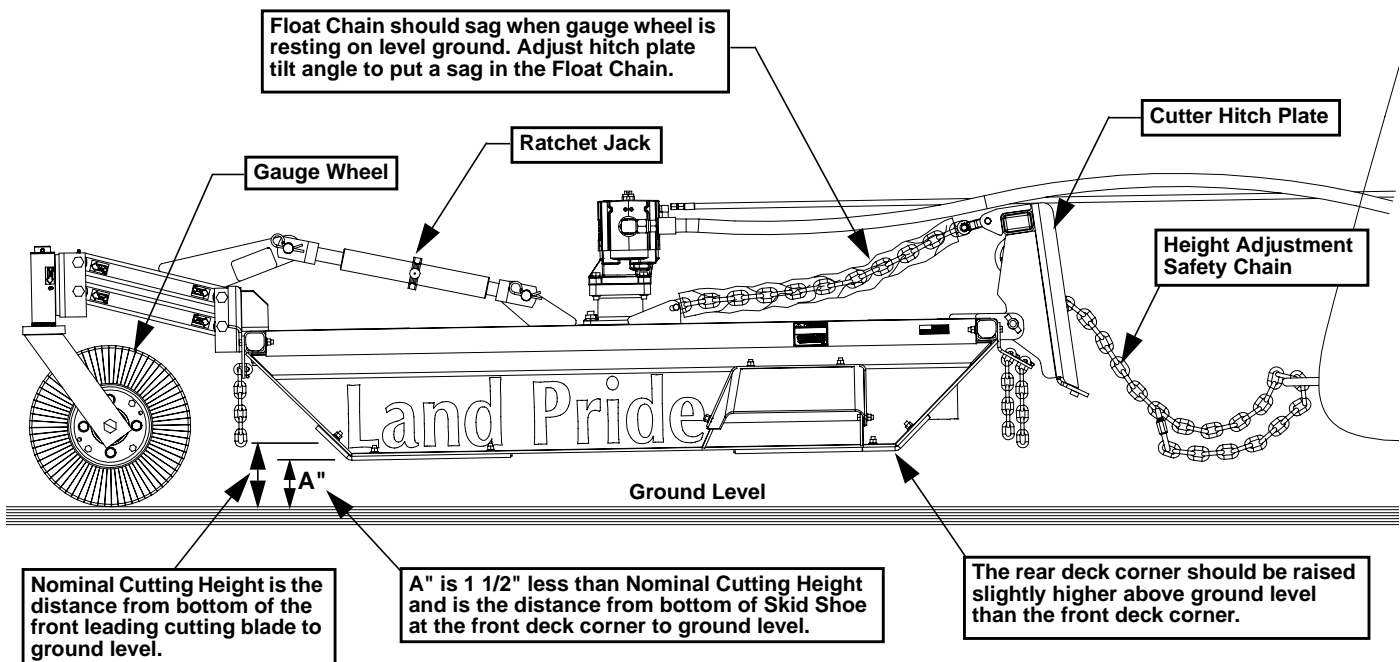
NOTE: Nominal Cutting Height is the distance from bottom of cutter blade to ground level at the front of the cutter. Subtract 1 1/2" from Nominal Cutting Height to determine distance (A). Distance (A) is measured from bottom of front skid shoes to ground level.

1. Park Skid Steer with cutter on a level surface.
2. Adjust ratchet jack to raise gauge wheel up until it is even with bottom of front skid shoes.
3. Use Skid Steer hydraulics to lower Skid Steer lift arms and to tilt cutter hitch plate angle until bottom of skid shoe at the front deck corner is dimension (A) off the ground and the rear deck corner is slightly higher off the ground than the front deck corner.
4. Adjust ratchet jack to lower gauge wheel until it is at ground level.
5. With gauge wheel at ground level, use Skid Steer hydraulics to adjust cutter hitch plate angle until the float chain sags.

! CAUTION

Do Not over angle hitch plate forward. Over angling can cause damage to deck, hitch and gauge wheel.

The Rotary Cutter should be operated with gauge wheel on the ground, slack in float chain and deck rear slightly higher off the ground than deck front. As the operator travels over uneven terrain, the Skid Steer hitch plate tilt angle and lift arm height may need some readjusting to maintain correct deck positioning.



24585

Nominal Cutting Height
Figure 2-3

Section 2: Adjustments

Deck Leveling without Optional Gauge Wheel

Refer to Figure 2-4:

DANGER

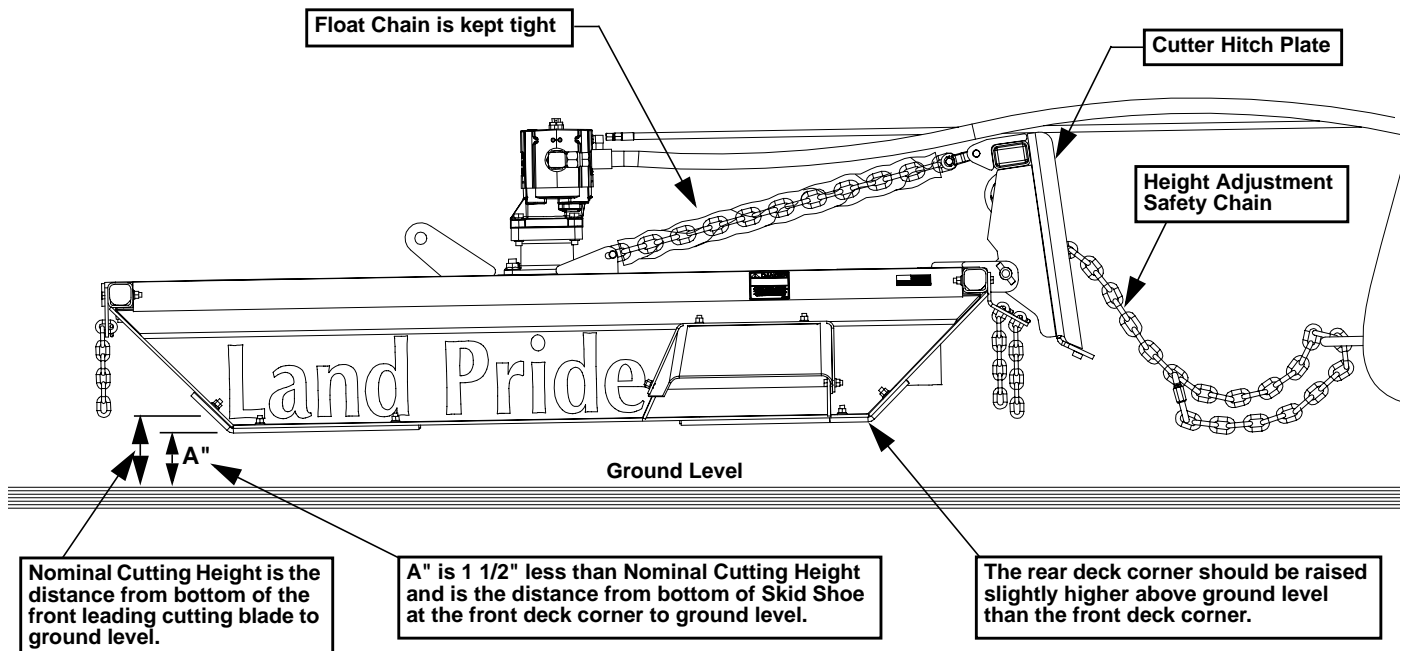
Engage parking brake, disengage power to the cutter, shut off Skid Steer, remove key and ensure that all moving parts have come to a complete stop before dismounting from the Skid Steer.

IMPORTANT: The blades should be positioned to cut material only at the front of the cutter. If the deck is level or the rear of the cutter is lower than the front, then the blades are subject to continuous material flow resulting in cutting clumps at the discharge chute, horsepower loss, high blade wear, and frequent blade sharpening.

NOTE: Nominal Cutting Height is the distance from bottom of cutter blade to ground level at the front of the cutter. Subtract 1 1/2" from Nominal Cutting Height to determine distance (A). Distance (A) is measured from bottom of front skid shoes to ground level.

1. Park Skid Steer with cutter on a level surface.
2. Use Skid Steer hydraulics to lower Skid Steer lift arms and to tilt cutter hitch plate angle until bottom of skid shoe at the front deck corner is dimension (A) off the ground and the rear deck corner is slightly higher than the front deck corner.

The Rotary Cutter should be operated with float chain tight to hold the front of the cutter at the correct cutting height and lift arms set to hold the rear of the cutter slightly higher off the ground than the front. As the operator travels over uneven terrain, the Skid Steer hitch plate tilt angle and lift arm height will need readjusting often to maintain correct deck positioning.



Nominal Cutting Height
Figure 2-4

24591

Section 3: Operating Procedures

Operating Information

Hazard control and accident prevention are dependent upon the awareness, concern, prudence and proper training involved in the operation, transport, maintenance and storage of the Rotary Cutter. Therefore, it is absolutely essential that no one operates the Rotary Cutter without first having read, fully understood and become totally familiar with the Operator's Manual. Make sure the operator has paid particular attention to:

- **Important Safety Information**, page 1
- **Section 1: Assembly & Set-up**, page 9
- **Section 2: Adjustments**, page 14
- **Section 3: Operating Procedures**, page 18
- **Section 5: Maintenance & Lubrication**, page 23

The following inspections should be performed before operating your Skid Steer cutter.

Inspection Checklist

✓ Check	Reference
Make Sure all guards and shields are in place and secure.	page 1
Inspect Hydraulic hoses for wear, damage and hydraulic leaks. Replace damaged and worn hoses with genuine Land Pride parts.	page 3
Grease all fittings. Refer to "Lubrication"	page 26
Check the Rotary Cutter initially and periodically for loose bolts & pins, <i>Torque Values Chart</i> .	Page 31

CAUTION

Rotary Cutters have the ability to discharge objects at high speeds. Therefore, the use of front & rear deck safety shields is required! Keep all bystanders at least 100 yards away. Flying objects from the cutter can cause serious injury or death.

CAUTION

Do not cut after dark without working lights. The equipment can be damaged from hitting objects not seen in the dark and from being hit by vehicles not able to see the equipment.

CAUTION

Cutter deck can be slippery especially when wet. Always step on the anti grip pads when possible. Never hurry. Make sure you have secure footing and hand hold when walking on the deck.

WARNING

Do not become entangled in the hydraulic hoses. Tripping over the hoses while entering or exiting the Skid Steer operator station can cause serious injury to the body.

WARNING

Do not operate Rotary Cutter without an operator protective door mounted to the cab and protective eye wear such as safety glasses or goggles. Flying objects from the cutter can cause serious injury to the body and eyes.

WARNING

The SC2660 Rotary Cutter is designed to cut grass and brush up to 2" in diameter. Using this cutter for another type of work can damage the drive components, deck and support frame.

WARNING

Do not travel too fast. The rougher the terrain, the slower you must travel. Always travel at a speed slow enough to be able to adjust the deck height before running it into the ground. Remember, sudden dropping of the front tires can slam the deck into the ground. Also, travel slow enough to stop before running or turning into obstacles ahead and on either side.

DANGER

Do not cut on steep inclines. The Skid Steer could flip over causing damage to the equipment, serious injury or death.

DANGER

Do not use deck to lift, push or pull objects. This can damage the deck, cause serious injury or death.

DANGER

Never carry a person on the cutter. A person can fall and be ran over causing serious injury or death.

DANGER

Do not use deck as a working platform. The deck is not properly designed or guarded for this use. Using deck as a working platform can cause serious injury or death.

DANGER

Do not use deck as a fan. Cutting blades are not properly designed or guarded for this use. Using the deck as a fan can cause serious injury or death.

DANGER

Do not operator the cutter with cutting blades raised higher than 18" off the ground. Always use the height adjusting safety chain to limit cutting height to 18" (16 1/2" skid shoe height). Raising the cutter higher can throw debris at the operator and cause serious injury or death.

DANGER

Shields must be secured in place when operating to avoid injury or death from entanglement in rotating drivelines.

Section 3: Operating Procedures



DANGER

Hydraulic fluid under pressure can penetrate skin. Wear protective gloves and safety glasses or goggles when working with hydraulic systems. Use a piece of cardboard or wood rather than hands when searching for hydraulic leaks. If hydraulic fluid is injected into the skin, it must be treated by a doctor within a few hours or gangrene may result.

IMPORTANT: Shut off all power, disengage auxiliary hydraulics, set park brake and remove ignition key any time the Rotary Cutter is not operating properly or needs adjustment.

IMPORTANT: Avoid catching the hydraulic hoses on brush, post, stumps, and other protrusions that could damage and/or break them.

Transporting



CAUTION

When traveling on public roads whether at night or during the day, use accessory light and devices for adequate warning to operators of other vehicles. Comply with all federal, state and local laws.

1. Be sure to reduce ground speed when turning; and, leave enough clearance so the Rotary Cutter does not contact obstacles such as buildings, trees or fences.
2. Select a safe ground travel speed that is 20 m.p.h. or less when transporting from one area to another. When traveling on roadways, transport in such a way that faster moving vehicles may pass you safely.
3. Decrease transport speed when traveling over rough or hilly terrain.
4. When transporting Skid Steer and Rotary Cutter on a trailer:
 - Use towing vehicle and trailer of adequate capacity.
 - Always drive up a ramp with heavy end uphill.
 - Engage Skid Steer park brake and remove ignition switch key once it is loaded.
 - Secure Skid Steer Loader and attachment using tie-downs and chains.

Cutting Instructions

NOTE: Your cutter is equipped with free swinging cutting blades to reduce shock loads to the cutter when striking an obstacle.

1. Thoroughly inspect the area to be cut for debris and unforeseen objects. Mark any potential hazards.
2. Set Skid Steer hydraulic lift arms and hitch angle to position the deck front at the preferred cutting height and the deck rear slightly higher.

3. If included, adjust gauge wheel to support deck front at the preferred height and tilt hitch plate to put slack in the float chains.
4. Start the machine and engage hydraulic motor. Allow several seconds for cutter blades to become aligned properly. If deck continues to vibrate after several seconds, stop motor and inspect blades.
5. It is important to maintain correct hydraulic motor speed. Loss of motor speed will allow the blades to hinge back and result in ragged, uneven cutting.
6. Ground speed depends on two things: the density of the material being cut and size of Skid Steer. Never run fast enough to overload the Skid Steer and/or cutter.
7. This cutter was designed to cut grass and medium brush cutting on gently sloping or slightly contoured right-of-ways, pastures, set aside acres, and row crop fields.



**DO NOT OPERATE WITH
SKID STEER FRONT WHEELS OFF THE GROUND**

Figure 3-1



WARNING

Refer to Figure 3-1:

DO NOT OPERATE CUTTER OR NAVIGATE TURNS WITH FRONT WHEELS OF SKID STEER OFF THE GROUND. OPERATING IN ABOVE FASHION WILL CAUSE DAMAGE TO DECK, HITCH AND GAUGE WHEEL.

General Operating Instructions

It is absolutely essential that you read and understand both the operator's manual for the Land Pride SC2660 or SC2672 Skid Steer Rotary Cutter and the operator's manual for the Skid Steer unit you intend to attach it to before attempting to operate or cut with this combination of equipment. You must be able to read, comprehend and adhere to all safety warnings and decals in order to avoid personal injury, fatalities, injury to others, or costly damage to property and equipment. We highly recommend that you be a skilled and competent Skid Steer operator prior to attaching and attempting to use the SC2660 or SC2672 Skid Steer Rotary Cutter. If there is any part of the information above or safe operating procedures you do not understand, please contact your nearest authorized dealer for a full explanation and training session if necessary.

Section 3: Operating Procedures

Skid Steer Operating Instructions

Assuming you have met all of the above requirements and taken them seriously, it is time to take the next step and that is accomplished by dressing appropriately for the task. You will need to put on protective eye wear such as safety glasses, goggles, or a face shield. A hard hat, steel toed safety shoes, gloves, and hearing protection are also highly recommended. Never wear loose fitting clothing and you may want to put on a respirator or filter mask to avoid breathing in dust, pollen, or agriculturally used toxins that may be present.

The next step is a static or non-running pre-inspection of the Skid Steer unit. You will want to make sure that the Skid Steer is equipped with a fully functioning ROPS (Roll Over Protection System) which does include seat belts and an operator safety enclosure. The cab must also be equipped with an operator protective door, which may have been supplied with the Skid Steer unit. Land Pride does offer a protective door with the SC2660 and SC2672 if one is not already provided. If the Skid Steer is to be operated on local roadways, it must be equipped with appropriate Slow Moving Vehicle (SMV) and other required lighting packages so as to make it compliant with state and local department of transportation requirements. The cutter drive motor must be matched to the output of the hydraulic capacity of the Skid Steer. Failure to do this could result in serious over-speeding of the cutting unit possibly resulting in serious injury, fatalities or property damage. The universal quick-hitch mount should be in good working order and latches should be located to the open position. There should be no evidence of hydraulic leaks in and around the auxiliary hydraulic couplers. There must be a readily accessible attaching point for the Rotary Cutter lift-limit chain on the lower front portion of the chassis frame. Finally make sure that all shields and safety features are in place and fully functional.

The next step is to perform a running check of the Skid Steer unit. As you get onto the Skid Steer and into the operator' compartment always use factory provided hand-holds and don't grab the steering or control levers to ease or stabilize your entry. Fasten your seat belt once you are seated and begin to mentally orient yourself with the position of all controls, switches, pedals, levers, and their related functions. Once you are sure that the park brake is on, no people or animals are in close proximity, all control levers, pedals and hydraulic systems are in neutral position, go ahead and start the engine. With the engine now running and the throttle at approximately one third, test all controls to make sure they are fully functioning. If at any time there is an equipment failure, shut the unit down and make immediate and full repairs.

Rotary Cutter Operating Instructions

Assuming all systems with the Skid Steer are "go" and fully functioning, it is time to connect to the SC2660 or SC2672 Rotary Cutter. This is done by maneuvering the Skid Steer mounting plate into position under the universal quick mount hitch saddle. Once this is

accomplished and the mower is fully supported by the Skid Steer lift arms, lower the mower to a point approximately two inches above the ground. Turn the engine off, set the parking brake, and climb out of the Skid Steer. Lock the latch handles down to engage the hitch pins. Make the appropriate hydraulic connections to the auxiliary hydraulic outlet and case drain making sure to keep connectors clean. Be sure to use proper fittings and if connection is difficult, moving levers may help relieve line pressure. (Note! Hydraulic flow direction on all skid steers is not the same. Make sure hoses are connected properly or blades will rotate at a much slower speed.) Wipe away spilled or excess hydraulic oil and secure Cordura sleeves to contain potential leaks. Connect the height limiting safety chain to the chassis attaching point and restrict cutting height to no more that eighteen inches. This completes the attachment of the cutter to the Skid Steer.

The next step is to complete a pre-operation check of the cutter. Make sure all guards, safety shields, safety chains, and deflectors are in place. All hardware must be in place and appropriately tightened. Damaged, severely worn or defective parts must be replaced prior to operation. If your unit is equipped with the optional front mounted gauge wheel, you will want to adjust it for desired cutting height at this time.

You should always inspect the area where you intend to cut for debris and hazards located on the ground. No one, including people and animals, should be allowed within 100 yards of this cutter when in operation. If someone does approach, shut the cutter down immediately. The blades on this cutter should never be allowed to come in contact with objects such as wire, cable, rope, or chains that might become entangled. These types of entangled objects can become extremely hazardous by rotating outside of the cutter deck housing resulting in serious injury or death. Always inspect the area before you mow.

The best mowing results will be achieved at speeds between 2 mph and 5 mph as grounds and mowing conditions dictate. If you are mowing in particularly tall or dense brush, you may want to make two passes with the first pass being at 18" and the second pass made as a cross-cut at the desired cut height. If you are mowing without the benefit of the front mounted gauge wheel in the float position, you will probably need to slow down significantly especially over uneven terrain or furrows. Driving too fast over uneven ground will cause the unit to undulate in a forward pitching motion. The best advice is to drive slow but keep engine speed and blade tip speed high. Once you get the feel of it you can increase speed and productivity.

When you do need to stop, make sure you set the park brake, shut the Skid Steer engine off, and allow time for the blades to stop rotating before you climb down. With a little practice we are confident you will soon achieve safe and excellent results with your new Land Pride SC2660 or SC2672 Skid Steer Rotary Cutter.

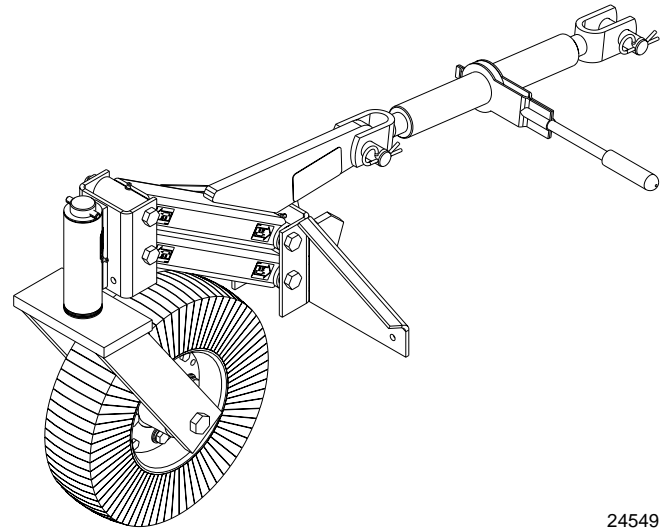
Section 4: Optional Equipment

Front Mounted Gauge Wheel

Refer to Figure 4-1:

The Front mounted gauge wheel will aid in floating the cutter over uneven terrain making the operator's job easier and helps protect against running the cutter frame into the ground.

Gauge Wheel Assembly 326-004A



**Gauge Wheel Assembly
Figure 4-1**

24549

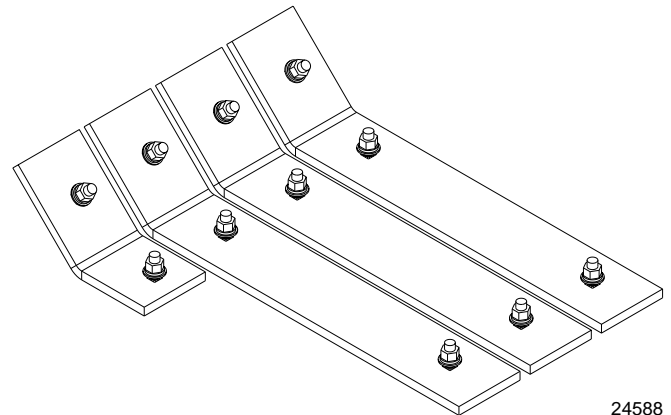
Skid Shoe Bundles

Refer to Figure 4-2:

There are two skid shoe bundles available. The standard skid shoe bundle is constructed of 1/4" x 2" flat bar and the heavy skid shoe bundle is constructed of 3/8" x 3" flat bar. The heavy skid shoes will wear longer and withstand more abuse.

Standard Skid Shoe Bundle326-027A

Heavy Skid Shoe Bundle326-028A



**Skid Shoe Bundle
Figure 4-2**

24588

Motor and Hose Assembly

Refer to Figure 4-3:

There are three motor and hose assembly options to meet your Skid Steer requirements. All three assemblies are interchangeable and do not require adapter kits. Compare your motor's GPM rating located on an attached decal with the GPM ratings below:

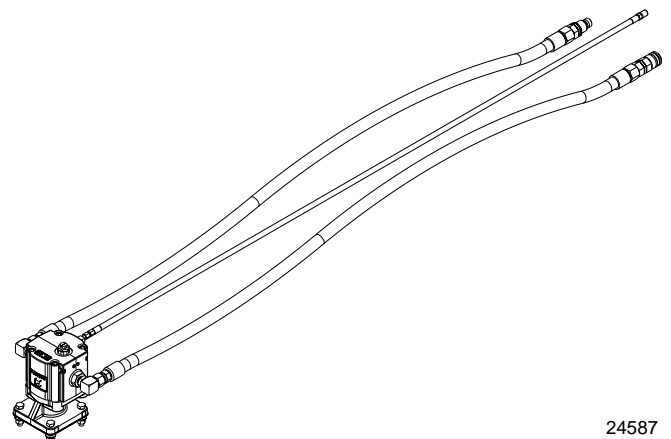
- Low Volume Motor & Hoses 11 - 16 GPM
- Medium Volume Motor & Hoses 17 - 21 GPM
- High Volume Motor & Hoses 22 - 27 GPM

If your cutter's motor and hose assembly is not compatible with your Skid Steer, you should replace it with one of the following assemblies:

Low Volume Motor & Hoses Assy 326-013A

Medium Volume Motor & Hoses Assy 326-014A

High Volume Motor & Hoses Assy 326-015A



**Motor and Hose Assembly
Figure 4-3**

24587

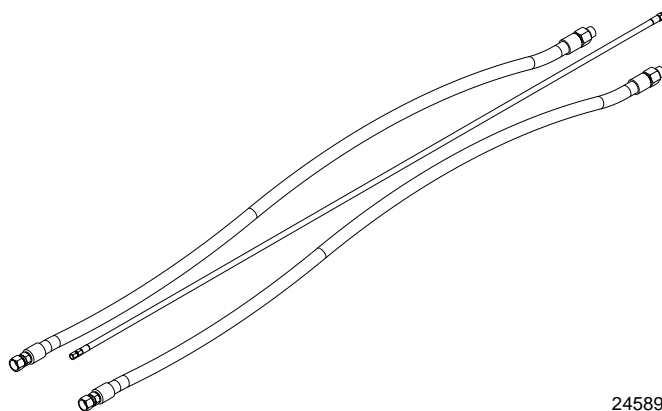
Section 4: Optional Equipment

Extended Hose Kit

Refer to Figure 4-4:

Some Skid Steer hydraulic connections are located farther away from the motor. Standard set-up includes two 80" long hoses and one 82" long return hose. The Extended Hose Kit includes two 116" long hoses and one 118" long return hose.

Extended Hose Kit326-016A



24589

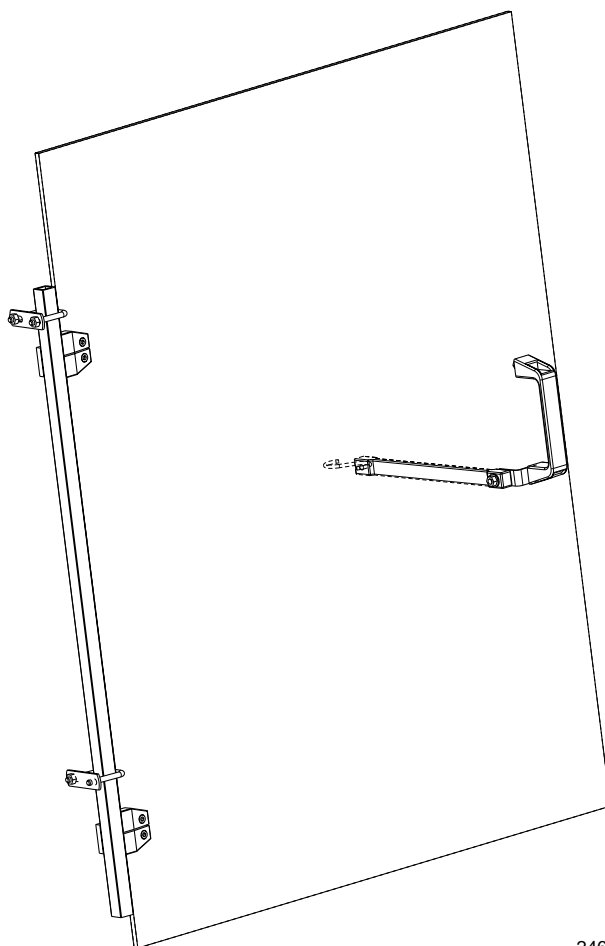
Extended Hose Kit
Figure 4-4

Operator Protective Door

Refer to Figure 4-5:

The Skid Steer **MUST** be equipped with an operator protective door for shielding against flying debris when attached to a Rotary Cutter. Land Pride offers a universal shield that attaches to your Skid Steer's hand hold with two u-bolts. Some notching in the shield may be required to fit your particular Skid Steer model. See "Operator Protective Door (Optional)" on page 13 for additional information.

Protective Door Kit326-024A



24609

Operator Protective Door
Figure 4-5

Section 5: Maintenance & Lubrication

Maintenance

Proper servicing and adjustment is the key to the long life of any implement. With careful and systematic inspection, you can avoid costly maintenance, time and repair.

After using your Rotary Cutter for several hours, check all bolts to be sure they are tight.

Replace any worn, damaged or illegible safety labels by obtaining new labels from your Land Pride Dealer.

Cutter Blade Maintenance



DANGER

Always disconnect hydraulic hoses from the Skid Steer before servicing underside of deck. The motor can be engaged if Skid Steer is started resulting in possible damage to the cutter, bodily injury and/or death.



WARNING

Always secure the cutter deck in the up position with solid supports before servicing the underside. Never work under equipment supported by hydraulics. Hydraulics can drop equipment if controls are actuated or if hydraulic lines burst. Either situation can drop the cutter instantly even when power to the hydraulics is shut off.

IMPORTANT: Replacement blades should be ordered in pairs. Order only genuine Land Pride blades. Other blades may not meet specifications.

Always inspect cutting blades before each use. Make certain they are properly installed and are in good working condition. Replace any blade that is damaged, worn, bent, or excessively nicked. Small nicks can be ground out when sharpening.

Remove cutting blades and sharpen or replace as follows:

1. Align blade bolt with access hole in deck.
2. Place skid steer in park and/or set brakes, shut engine off and remove ignition key.
3. Always disconnect hydraulics from Skid Steer and secure cutter deck in the up position with solid supports before servicing underside of cutter.
4. See Figure 5-1. Unscrew locknut (#6) to remove cutting blade (#3). Blade bolt (#1) is keyed and will not turn freely.
5. Both blades should be sharpened at the same angle as the original cutting edge and must be replaced or re-ground at the same time to maintain proper balance in the cutting unit. The following precautions should be taken when sharpening the blades:
 - a. Do not remove more material than necessary.
 - b. Do not heat and pound out a cutting edge.
 - c. Do not grind blades to a razor edge. Leave a blunt cutting edge approximately 1/16" thick.

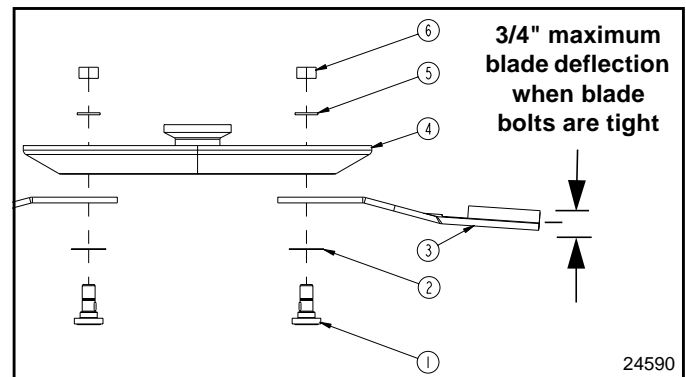
- d. Always grind the cutting edge so that the end of the blade remains square to the cutting edge and not rounded.
 - e. Do not sharpen the back side of the blade.
 - f. Both blades should weigh the same after sharpening with not more than 1 1/2 oz. difference. Unbalanced blades will cause excessive vibration which can damage gearbox bearings and create structural cracks.
6. Carefully check cutting edges of blades in relation to blade carrier rotation to ensure correct blade placement. Cutter blades must be installed with cutting edge leading in rotation and airfoil (lift) must be oriented towards the top of the deck.

Refer to Figure 5-1:

IMPORTANT: Shim (#2) below may or may not be required. If blade deflection is less than 3/4" without a shim, then the shim is not used. However, a shim is required if blade deflection is greater than 3/4".

IMPORTANT: Locknuts can loose their ability to lock properly once removed. Therefore, always use a used blade nut or plain nut in steps 7 & 8 below and then **replace used nut with new locknut in step 9.**

7. Start by assembling blades without shim (#2). Insert blade bolt (#1) through blade (#3), dish pan (#4) and flat washer (#5). Temporarily secure blade with a used 1 1/8"-12 nut. **Draw nut up snug. Do not tighten.**



Cutter Blade Assembly
Figure 5-1

8. Check blade deflection. If deflection is greater than 3/4", remove blade bolt and reassemble as before except include shim (#2) when reassembling. Select shim thickness based on deflection. The greater the deflection, the thicker the shim.
9. Once blade deflection is correct, **replace used nut with new locknut (#6)** and torque to 450 ft. lbs.
10. If replacing dishpan (#4), nut on gearbox output shaft should be torqued to 450 ft.-lbs. minimum and secured with a cotter pin installed through the nut and bolt and both legs bent opposite directions around nut.

Section 5: Maintenance & Lubrication

Land Pride Cutter Blade Parts		
Item	Part No.	Part Description
	318-586A	BLADE BOLT KIT (Contains #'s 1, 2, 5 & 6)
1	802-277C	BLADE BOLT 1 1/8-12 x 3 7/16 WITH KEY
2	312-075D	BLADE SPACER 16 GA. (.060")
2	312-082D	BLADE SPACER 18 GA. (.048")
2	312-089D	BLADE SPACER 20 GA. (.036")
2	312-808C	BLADE SPACER 24 GA. (.024")
3	820-112C	SC2660 CUTTER BLADE 1/2 x 4 x 25 CW
3	820-249C	SC2672 CUTTER BLADE 1/2 x 4 x 29 CW
4	316-124H	WELDMENT DISHPAN SC2660
4	312-811H	WELDMENT DISHPAN SC2672
5	804-147C	WASHER FLAT 1 HARD ASTM F436
6	803-170C	NUT HEX TOP LOCK 1 1/8-12 PLATE

- Remove 3/8" hex lock nuts (#4), lock washers (#5), flat washers (#6), 3/8" plow bolts (#3), three skid shoes (#1) and one skid shoe (#2) from all four deck corners.
- Plow bolts should be checked for wear and replaced if necessary.
- Install the new short skid shoe (#2) to the back left deck corner as shown with 3/8"-16 x 1 1/4 GR5 plow bolts (#2), flat washers (#6), lock washers (#5) and 3/8" hex lock nuts (#4). Torque lock nuts (#4) to 31 ft. lbs.
- Install the long skid shoes (#1) to the remaining three deck corners with 3/8"-16X1 1/4 GR5 plow bolts (#2), flat washers (#6), lock washers (#5) and 3/8" hex lock nuts (#4). Torque lock nuts (#4) to 31 ft. lbs.
- Raise cutter up and remove support blocks.

Skid Shoe Maintenance



WARNING

Excessive wear on skid shoes may cause inadequate operation of cutter and create a safety hazard!

Skid shoes should be inspected at the beginning of each cutting season and replaced when material thickness is less than 1/8" at any point. Order only genuine Land Pride parts from your local Land Pride Dealer.

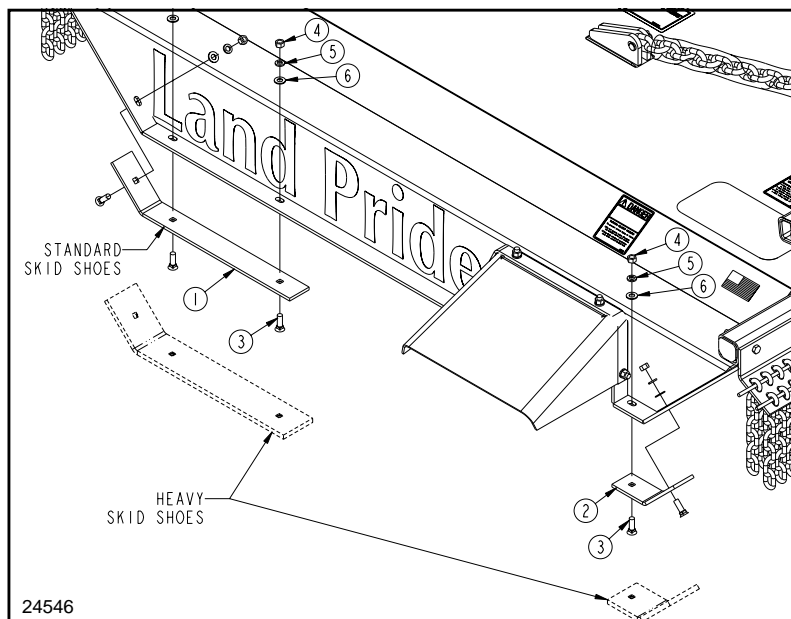
Refer to Figure 5-2:

Replace skid shoes as follows:

- Raise the Rotary Cutter 3" or more off the ground and place support blocks under the cutter. Make sure the support blocks are positioned so they will not interfere with skid shoe installation.
- Lower cutter onto the support blocks, place Skid Steer in park, set park brakes, shut the Skid Steer off and remove switch key.

Land Pride Standard Skid Shoe Bundle 326-027A		
Item	Part No.	Part Description
1	312-602D	SKID SHOE, 1/4" x 2"
2	326-276D	DECK RUNNER LH REAR, 1/4" x 2"
3	802-466C	PLOW 3/8-16X1 1/4 GR5
4	803-013C	NUT LOCK 3/8-16 PLT
5	804-013C	WASHER LOCK SPRING 3/8 PLT
6	804-012C	WASHER FLAT 3/8 SAE PLT

Land Pride Heavy Skid Shoe Bundle 326-028A		
Item	Part No.	Part Description
1	326-343D	SKID SHOE HEAVY, 3/8" x 3"
2	326-344D	SKID SHOE HEAVY SHORT, 3/8" x 5"
3	802-466C	PLOW 3/8-16X1 1/4 GR5
4	803-013C	NUT LOCK 3/8-16 PLT
5	804-013C	WASHER LOCK SPRING 3/8 PLT
6	804-012C	WASHER FLAT 3/8 SAE PLT



Skid Shoe Replacement
Figure 5-2

Section 5: Maintenance & Lubrication

Hydraulic Maintenance



DANGER

Hydraulic fluid under pressure can penetrate skin. Wear protective gloves and safety glasses or goggles when working with hydraulic systems. Use a piece of cardboard or wood rather than hands when searching for hydraulic leaks. If hydraulic fluid is injected into the skin, it must be treated by a doctor within a few hours or gangrene may result.

One of the most important things you can do to prevent hydraulic system problems is to ensure that your Skid Steer reservoir remains free of dirt and contamination.

Use a clean cloth to wipe the hose ends before attaching them to your Skid Steer. Replace the filter element for your Skid Steer's hydraulic system at the prescribed intervals. These simple maintenances will go a long way to prevent occurrence of hydraulic problems.

Storage



CAUTION

Store cutter with hitch plate in the upright position. A hitch plate that is stored folded down against the deck can tip up easily resulting in serious injury to the body.



DANGER

Do not modify the Rotary Cutter without authorization from Land Pride. Unauthorized modifications to the cutter can result in the cutter not performing properly and/or in serious injury or death.

Clean the Rotary Cutter at the end of the working season or when the cutter will not be used for a long period.





1. Clean off any dirt or grease that may have accumulated on the cutter and moving parts. Scrape off compacted dirt from the bottom of the deck and then wash the surface thoroughly with a garden hose. A coating of oil may also be applied to the lower deck area to minimize oxidation.
2. Check blades and blade bolts for wear and replace if necessary. See **"Cutter Blade Maintenance"** on page 23.
3. Inspect for loose, damaged or worn parts and adjust or replace as needed.
4. Lubricate as noted in the *Lubrication* portion of this section starting on page 26.
5. Store the Rotary Cutter in a clean, dry place. The deck should be positioned on a flat surface to suitable Skid Steer hook-up height. Ensure that the main frame is stable. Use auxiliary supports or posts if necessary to prevent the possibility of the unit tipping over. Store hitch in the upright position.
6. Repaint parts where paint is worn or scratched to prevent rust. Ask your dealer for Aerosol Land Pride touch-up paint.

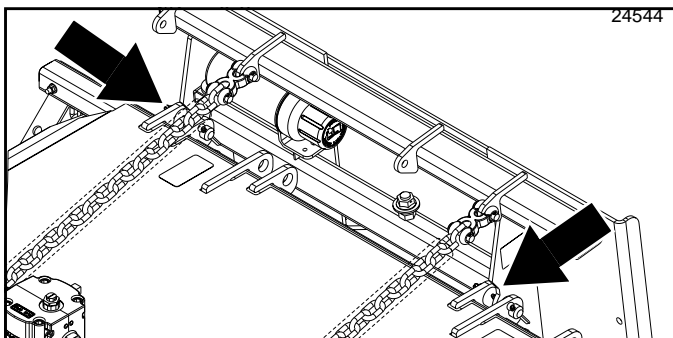
Land Pride Touch-up Paint	
Part No.	Part Description
821-002C	PAINT GP BLACK SPRAY CAN



Section 5: Maintenance & Lubrication

Lubrication Points

Lubrication Legend

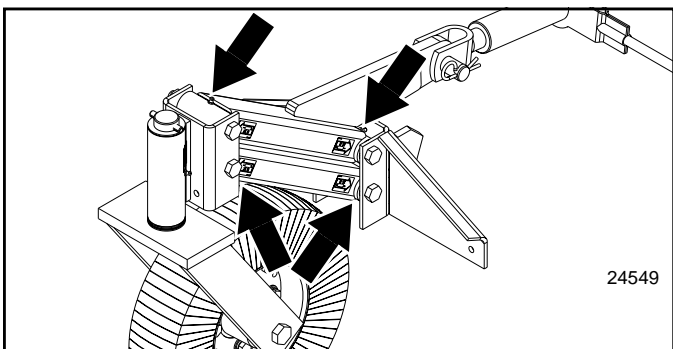
 Multi-purpose spray lube	 Multi-purpose grease lube	 Multi-purpose oil lube	 Intervals in hours at which lubrication is required
--	---	--	---





	 25 Hours
--	--

Lubrication Points
Hitch Plate Pivot

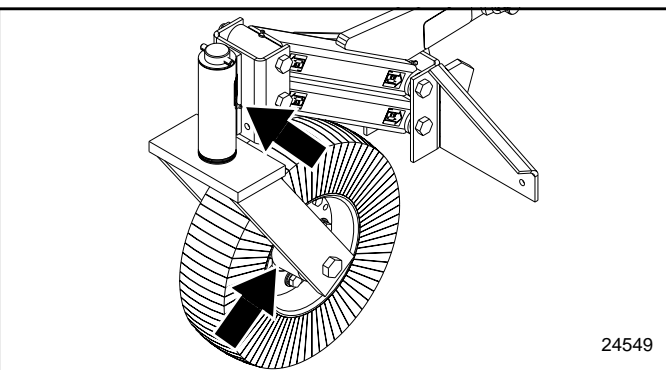
2 - Zerks
Type of Lubrication: Multi-purpose Grease
Quantity = As required





	 25 Hours
--	--

Gauge Wheel Parallel Arms

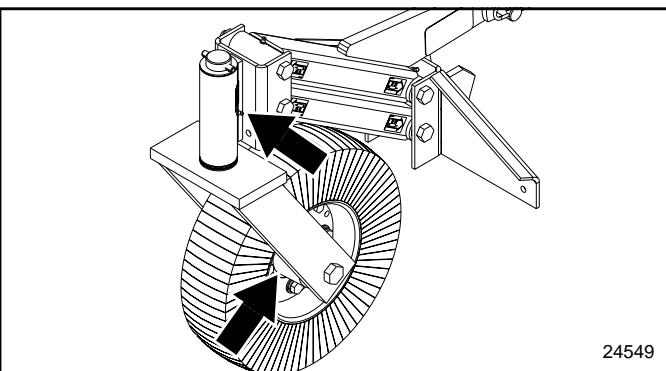
4 - Zerks
Type of Lubrication: Multi-purpose Grease
Quantity = As required





	 25 Hours
--	--

Gauge Wheel Spindle & Axle Hub

1- Zerk
Type of Lubrication: Multi-purpose Grease
Quantity = As required

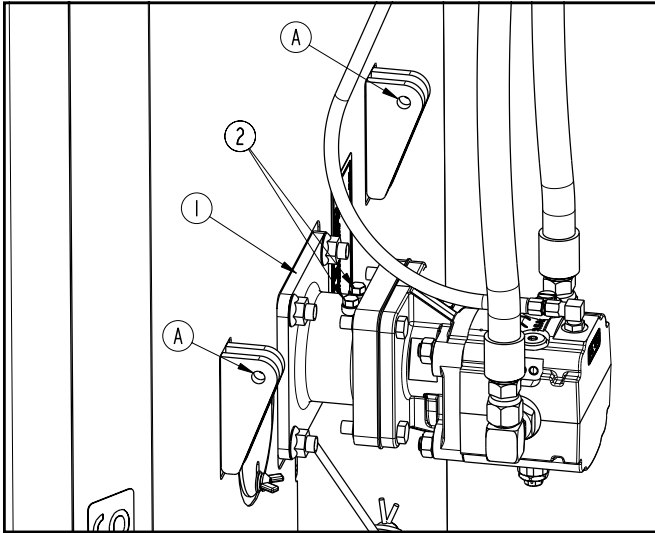


	 25 Hours
--	--

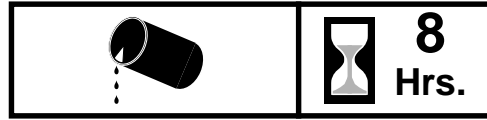
Axle Hub Bearing

1- Zerk
Type of Lubrication: Multi-purpose Grease
Quantity = As required

Section 5: Maintenance & Lubrication



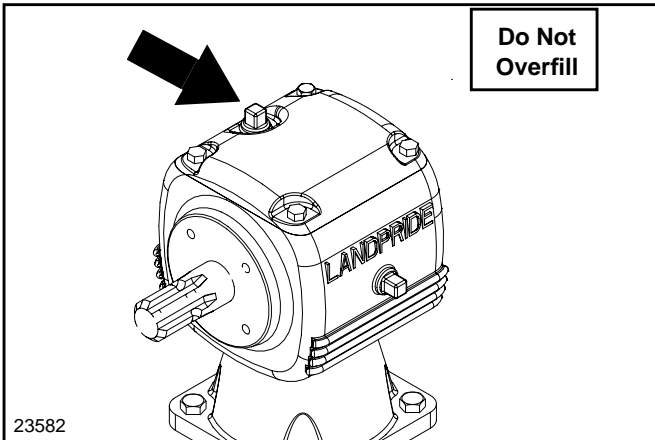
SC2660 Spindle Hub Lubrication



Motor Spindle Hub (SC2660 Only)

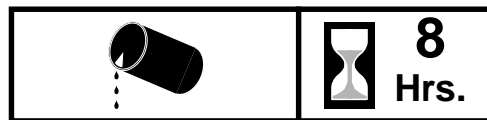
The motor spindle hub (#1), has two cavity plugs (#2) located on the hitch side of the hub housing.

1. Disengage blade hydraulics. Make sure blades have come to a complete stop.
2. Disconnect float chains from cutter deck at mounting holes "A" (See Figure 2-3 on page 16).
3. Disconnect height adjustment safety chain from front of loader (See Figure 2-3 on page 16).
4. Raise front of cutter off the ground and tilt hitch forward until cutter is hanging from the hitch straight down.
5. Set park brake, shut engine off and remove switch key before continuing.
6. Remove one of the cavity plugs (#2) to check fluid level. Fluid level should be within 1/2" from top of port opening.
7. Add EP 80-90 weight gearlube as required. Full capacity of motor housing is approximately 1/3 pint.
8. Install cavity plug and tighten.
9. Being careful not to damage the tail wheel, lower cutter back to ground level.
10. Reattach adjustment safety chain and float chains.



SC2672 Gearbox Lubrication

IMPORTANT: Your cutter is shipped with the gearbox vent plug with dipstick packaged in the Operator's Manual bag and should have been installed in the gearbox by your Land Pride dealer. Please see your Land Pride dealer if the vent plug with dipstick was not included.



Gearbox (SC2672 Only)

IMPORTANT: Do not overfill! Level cutter and wait for gearbox oil to cool before checking. An unlevel cutter or a gearbox with hot oil will not show correct oil level.

Unscrew vent plug with dipstick. Wipe oil from dipstick and screw it back in without tightening. Unscrew again and check oil level mark. If low, fill through top plug hole with EP 80-90Wt oil until oil reaches full mark. Reinstall vent plug with dipstick and tighten.

Type of Lubrication: Gear Lube EP 80-90W

Quantity = Fill until oil reaches full mark on dipstick.



SC2660 & SC2672 Skid Steer Rotary Cutter

Description	SC2660	SC2672
Cutting Width	60"	72"
Overall Width	65 1/2"	78"
Overall Length	73"	91"
Cutter Weight Without Gauge Wheel	1004 lbs.	1256 lbs.
Gauge Wheel Weight (Optional)	114 lbs.	
Skid Shoe Weight (Optional)	Standard skid shoes = 15 lbs. Heavy-duty skid shoes = 25 lbs.	
Cutting Height	1 1/2" to 18" infinitely variable.	
Gearbox Oil	Does Not Apply	EP 80-90 Wt. Gearlube
Spindle Hub Oil	EP 80-90 Wt. Gearlube	Does Not Apply
Low Volume Motor Blade Tip Speed	18,540 fpm at 16 gpm.	Not Applicable
Medium Volume Motor Blade Tip Speed	18,850 fpm at 21 gpm.	17,200 fpm at 21 gpm.
High Volume Motor Blade Tip Speed	19,000 fpm at 27 gpm.	18,550 fpm at 27 gpm.
Blade Size	1/2" x 4" updraft.	
Blade Rotation	Clockwise	
Blade Bolt	1 1/8"-12 x 3 7/16" with key.	
Dishpan	Heavy duty round pan stump jumper.	
Cutting Capacity	2" Diameter	
Deck Thickness	Upper Deck = 16 Ga. Lower Deck = 10 Ga.	
Side Skirt Construction	1/4" Steel	
Front Deck Protection	Single row chain guard.	
Rear Deck Protection	Double row chain guard.	
Deck Lift Height Protection	Safe chain limiter.	
Deck Wear Protection (Optional)	Optional four corner mounted skid shoes.	
Skid Shoes Construction (Optional)	Standard-duty skid shoes = 1/4" x 2" steel Heavy-duty skid shoes = 3/8" x 3" steel	
Operator Protection (Optional)	Protective door shield.	
Cutting Height Gauging (Optional)	Pivoting and adjustable front mounted gauge wheel with laminated tire.	
Low Volume Drive Motor	11-16 gpm flow	Not Available
Medium Volume Drive Motor	17-21 gpm flow	
High Volume Drive Motor	22-27 gpm flow	
Hydraulic Pressure	1500 to 3000 psi.	
Hitch	Universal floating-hitch mounting plate. Hitch plate can be mounted centered on the deck or mounted to offset the deck to the right 8 1/2".	




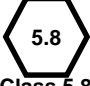
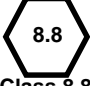

Section 7: Features and Benefits
SC2660 & SC2672 Skid Steer Rotary Cutter

Features	Benefits
Surpassed Rugged Industry Standards	All Land Pride Cutters have been designed and tested and meet rigorous voluntary testing procedures specified by ANSI.
Low Volume Motor @ 11-16 gpm Medium Volume Motor @ 17-21 gpm High Volume Motor @ 22-27 gpm	Customer can chose one of three optional motors for his SC2660 cutter or one of two optional motors (medium and high volume) for his SC2672 cutter. This allows the cutter to fit a wide variety of Skid Steers. Also the deck can be upgraded to a different motor when owner upgrades his Skid Steer.
Two Year Gearbox & Motor Warranty	Shows Land Pride's confidence in the gearbox and motor.
Smooth Deck Top	No pockets to collect rain and dirt. Easy to clean.
1/4" Side Panels for Overall Reinforcement	Protects sides from debris being thrown against them from the blades.
Front and Rear Chain Shields	Single chain on the front and double chain on the rear. Reduces flying debris.
(Optional) Replaceable Skid Shoes	Protect side plate structure. Shoes are replaceable for convenience.
Splined Blade Bar	Allows for tight positive fit of stump jumper and blade bar to motor output shaft.
3/16" Round Stump Jumper	Standard stump jumper aids in sliding over obstructions, which helps protect gearbox output shaft.
1/2" x 4" Heat-treated Free Swinging Blades	Heat-treated blades offer longer life. Free swinging blades protect from obstructions.
2" Diameter Cutting Capacity	Can aid in clearing brush.
SC2660 High Blade Tip Speed	Low volume motor = 18,540 fpm at 16 gpm. Medium volume motor = 18,850 fpm at 21 gpm. High volume motor = 19,000 fpm at 27 gpm.
SC2672 High Blade Tip Speed	Medium volume motor = 17,200 fpm at 21 gpm. High volume motor = 18,550 fpm at 27 gpm.
Offset Hitch (8 1/2" to the right)	Allows the operator to cut close to obstacles on the right side.
Optional Front Gauge Wheel	Provides easy operation and handling over uneven terrain, laminated tire can't go flat.
Floating Hitch Mounting Plate	Allows smoother travel over rough terrain with the optional gauge wheel easing the fatigue put on the operator.
Optional Operator Protection Door	Provides additional operator protection from flying objects.
Lift Limit Safety Chain	Provides additional operator protection from flying objects by allowing the Rotary Cutter to only be lifted up to 18".

Troubleshooting Chart

Problem	Cause	Solution
Motor Oil Seal Leaking	Return line from motor has been pinched or is collapsed.	Replace lower seal of motor. Check motor return hose for kinks.
	Case drain line is not properly connected.	Connect case drain line to the hydraulic motor and skid steer reservoir.
Spindle Hub Seal Leaking	Return line from motor has been pinched or is collapsed.	Replace lower seal of motor and Spindle Hub output shaft seal. Check motor return hose for kinks.
Blades wearing excessively	Cutting on sandy ground.	Raise cutting height.
	Contacting ground frequently.	Raise cutting height.
Spindle Hub Seal Leaking	Return line from motor has been pinched or is collapsed.	Replace lower seal of motor and Spindle Hub output shaft seal. Check motor return hose for kinks.
Blades coming loose	Insufficient shimming.	Add shimming. See text.
	Blade bolts not tightened properly.	Torque blade bolt nuts to 450 ft lbs.
Blade carrier becomes loose	Running loose in the past.	Replace gearbox output shaft and blade carrier.
	Blade carrier hardware not tight enough.	Tighten to specified torque.
Blade bolt holes worn	Blade hardware running loose.	Replace blades and blade bolts if worn.
Blades breaking	Hitting solid objects.	Thoroughly check the cutting area BEFORE beginning to cut. Be alert during cutting.
Loose Blade Carrier	Worn spindle hub bearings.	Replace Spindle Hub bearings and/or shaft.
	Shaft nut loose.	Tighten Spindle Hub shaft nut to 450 ft lbs.
Blade Carrier bent	Hitting solid objects.	Avoid solid objects/Be alert.
Gauge wheel support failing	Lowering too fast.	Adjust rate of drop.
	Hitting objects when turning.	Reduce speed on turns.
Excessive skid shoe wear	Cutting height not level or blade missing.	Adjust deck height or replace.
	Soil abrasive.	Raise cutting height.
	Cutting too low.	Raise cutting height.
Excessive vibration	Locked blades.	Inspect and unlock blades.
	Blades have unequal weight.	Replace blades as a PAIR.
	Blade carrier bent.	Replace / straighten blade carrier.

Section 9: Appendix

Torque Values Chart													
Bolt Size (Inches)	Bolt Head Identification						Bolt Size (Metric)	Bolt Head Identification					
	 Grade 2		 Grade 5		 Grade 8			 Class 5.8		 Class 8.8		 Class 10.9	
in-tpi ¹	N · m	ft-lb ³	N · m	ft-lb	N · m	ft-lb	mm x pitch	N · m	ft-lb	N · m	ft-lb	N · m	ft-lb
1/4" - 20	7.4	5.6	11	8	16	12	M 5 X 0.8	4	3	6	5	9	7
1/4" - 28	8.5	6	13	10	18	14	M 6 X 1	7	5	11	8	15	11
5/16" - 18	15	11	24	17	33	25	M 8 X 1.25	17	12	26	19	36	27
5/16" - 24	17	13	26	19	37	27	M 8 X 1	18	13	28	21	39	29
3/8" - 16	27	20	42	31	59	44	M10 X 1.5	33	24	52	39	72	53
3/8" - 24	31	22	47	35	67	49	M10 X 0.75	39	29	61	45	85	62
7/16" - 14	43	32	67	49	95	70	M12 X 1.75	58	42	91	67	125	93
7/16" - 20	49	36	75	55	105	78	M12 X 1.5	60	44	95	70	130	97
1/2" - 13	66	49	105	76	145	105	M12 X 1	90	66	105	77	145	105
1/2" - 20	75	55	115	85	165	120	M14 X 2	92	68	145	105	200	150
9/16" - 12	95	70	150	110	210	155	M14 X 1.5	99	73	155	115	215	160
9/16" - 18	105	79	165	120	235	170	M16 X 2	145	105	225	165	315	230
5/8" - 11	130	97	205	150	285	210	M16 X 1.5	155	115	240	180	335	245
5/8" - 18	150	110	230	170	325	240	M18 X 2.5	195	145	310	230	405	300
3/4" - 10	235	170	360	265	510	375	M18 X 1.5	220	165	350	260	485	355
3/4" - 16	260	190	405	295	570	420	M20 X 2.5	280	205	440	325	610	450
7/8" - 9	225	165	585	430	820	605	M20 X 1.5	310	230	650	480	900	665
7/8" - 14	250	185	640	475	905	670	M24 X 3	480	355	760	560	1050	780
1" - 8	340	250	875	645	1230	910	M24 X 2	525	390	830	610	1150	845
1" - 12	370	275	955	705	1350	995	M30 X 3.5	960	705	1510	1120	2100	1550
1-1/8" - 7	480	355	1080	795	1750	1290	M30 X 2	1060	785	1680	1240	2320	1710
1 1/8" - 12	540	395	1210	890	1960	1440	M36 X 3.5	1730	1270	2650	1950	3660	2700
1 1/4" - 7	680	500	1520	1120	2460	1820	M36 X 2	1880	1380	2960	2190	4100	3220
1 1/4" - 12	750	555	1680	1240	2730	2010	¹ in-tpi = nominal thread diameter in inches-threads per inch ² N · m = newton-meters ³ ft-lb= foot pounds ⁴ mm x pitch = nominal thread diameter in millimeters x thread pitch						
1 3/8" - 6	890	655	1990	1470	3230	2380							
1 3/8" - 12	1010	745	2270	1670	3680	2710							
1 1/2" - 6	1180	870	2640	1950	4290	3160							
1 1/2" - 12	1330	980	2970	2190	4820	3560							
Torque tolerance + 0%, -15% of torquing values. Unless otherwise specified use torque values listed above.													
Additional Torque Values													
Wheel Hub Stub 1/2"-20x1 5/8Gr 5							85 ft-lbs.						
Blade Bolt Lock Nut							450 ft-lbs						
Blade Carrier Hub Nut							450 ft-lbs						

Notes

Warranty

Land Pride warrants to the original purchaser that this Land Pride product will be free from defects in material and workmanship beginning on the date of purchase by the end user according to the following schedule when used as intended and under normal service and conditions for personal use.

Overall Unit: One year Parts and Labor

Gearbox & Motor: Two years Parts and Labor.

Hoses and seals: Considered wear items.

Blades and Tires: Considered wear items.

This Warranty is limited to the replacement of any defective part by Land Pride and the installation by the dealer of any such replacement part, and does not cover common wear items. Land Pride reserves the right to inspect any equipment or parts which are claimed to have been defective in material or workmanship.

This Warranty does not apply to any part or product which in Land Pride's judgment shall have been misused or damaged by accident or lack of normal maintenance or care, or which has been repaired or altered in a way which adversely affects its performance or reliability, or which has been used for a purpose for which the product is not designed. Misuse also specifically includes failure to properly maintain oil levels, grease points, and driveline shafts.

Claims under this Warranty should be made to the dealer which originally sold the product and all warranty adjustments must be made through an authorized Land Pride dealer. Land Pride reserves the right to make changes in materials or design of the product at any time without notice.

This Warranty shall not be interpreted to render Land Pride liable for damages of any kind, direct, consequential, or contingent to property. Furthermore, Land Pride shall not be liable for damages resulting from any cause beyond its reasonable control. This Warranty does not extend to loss of crops, any expense or loss for labor, supplies, rental machinery or for any other reason.

No other warranty of any kind whatsoever, express or implied, is made with respect to this sale; and all implied warranties of merchantability and fitness for a particular purpose which exceed the obligations set forth in this written warranty are hereby disclaimed and excluded from this sale.

This Warranty is not valid unless registered with Land Pride within 30 days from the date of purchase by the end user.



Corporate Office: P.O. Box 5060
Salina, Kansas 67402-5060 USA
www.landpride.com

Free Manuals Download Website

<http://myh66.com>

<http://usermanuals.us>

<http://www.somanuals.com>

<http://www.4manuals.cc>

<http://www.manual-lib.com>

<http://www.404manual.com>

<http://www.luxmanual.com>

<http://aubethermostatmanual.com>

Golf course search by state

<http://golfingnear.com>

Email search by domain

<http://emailbydomain.com>

Auto manuals search

<http://auto.somanuals.com>

TV manuals search

<http://tv.somanuals.com>