

ST Front Rack Assembly Instructions



Treker 4200/4400 ST, 4210/4410 ST & 4220/4420 ST Models

Manual No. 701-123M

Before You Start



When you see this symbol, the subsequent instructions and warnings are serious - follow without exception. Your life and the lives of others depend on it!

IMPORTANT: Before you begin, read these instructions and check to be sure all parts and tools are accounted for. Please retain these installation instructions for future reference and parts ordering information.

Your Land Pride Front Rack is exclusively designed for your ST Treker. Please read these instructions and your vehicle Operator's Manual thoroughly before beginning. Especially read information relating to safety concerns. Also included in the Operator's Manual is important information on operation, adjustment, troubleshooting, and maintenance for this attachment (some manual sections do not apply to all accessories).

A separate Parts Manual for replacement parts can be purchased from your dealer or available free of charge at www.landpride.com. Have model and serial numbers handy when placing an order.

Manual Part Numbers:

- Operator's Manual (20 ST Series) 700-504M
- Operator's Manual (00 & 10 ST Series) . . . 700-108M
- Parts Manual (20 ST Series) 700-504P
- Parts Manual (10 ST Series) 700-109P
- Parts Manual (00 NT/ST Series) 700-108P

Further Assistance

Your dealer wants you to be satisfied with your new Front Rack. If for any reason you do not understand any part of this manual or are not satisfied with the service received, the following actions are suggested:

1. Discuss the matter with your dealership service manager making sure he is aware of any problems you may have and that he has had the opportunity to assist you.
2. If you are still not satisfied, seek out the owner or general manager of the dealership, explain the problem and request assistance.
3. For further assistance write to:

Land Pride Service Department
1525 East North Street
P.O. Box 5060
Salina, Ks. 67402-5060
E-mail address
lp servicedept@landpride.com

General Information

These assembly instructions apply to the following ST Front Rack Accessories listed below:

- 701-171A** **Series 20 ST Treker Front Rack Kit: Mounts to the Heavy Duty Brush Guard**
- 701-122A** **Series 00 & 10 ST Front Rack Kit: Mounts to the Heavy Duty Brush Guard**
- 701-053A** **Series 00 & 10 ST Front Rack Kit: Mounts to the Standard Brush Guard**
- 701-126A** **ST Front Rack Adapter Kit: Attaches Front Rack to a Heavy Duty Brush Guard**

Tools required:

- Safety glasses
- Work gloves
- Two 1/2" box end or open end wrenches
- Phillips screwdriver

Assembly Instructions

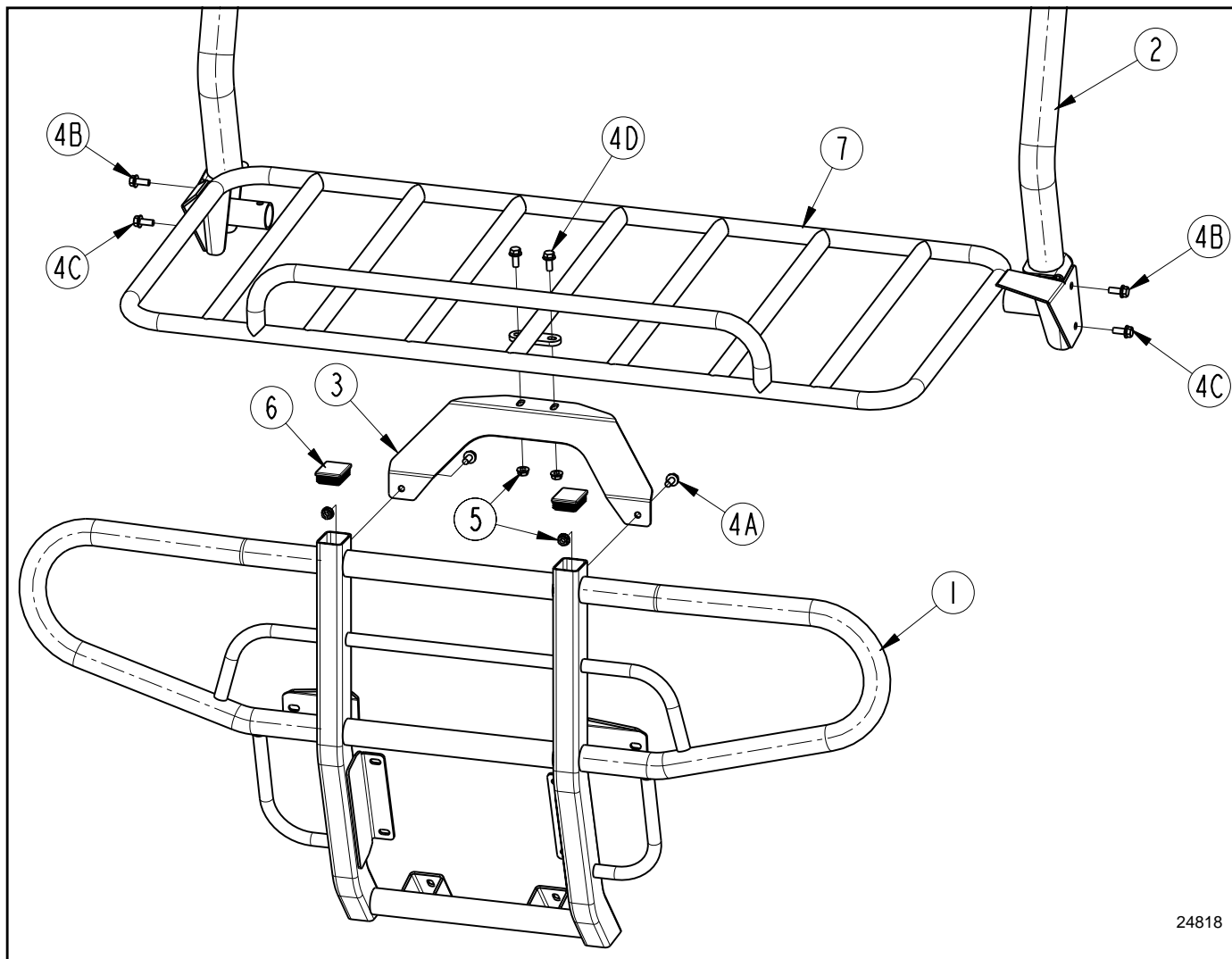
A detailed listing of parts for each accessory kit is provided on page 5. Use the list for your particular application as a checklist to inventory parts received. Please contact your local Land Pride dealer for any missing hardware.

Initial Preparations

Before servicing the vehicle the following procedure must be met to secure the vehicle:

1. Park vehicle on a level surface. **Don't work under or around a vehicle parked on an incline.**
2. Make the following gear and park brake selections:
 - a. 10 & 20 ST Series Trekers:
 - Set shift selector in Park.
 - b. 00 ST Series Trekers:
 - Set shift selector in forward gear.
 - Set park brake.
3. Turn ignition switch off and remove switch key.
4. Chock front and back of a wheel to prevent vehicle from rolling.
5. Go to one of the installation kits listed below to complete installation.
 - For installation of Kit No. 701-171A, see page 2.
 - For installation of Kit No. 701-122A, see page 3.
 - For installation of Kit No. 701-053A, see page 4.
 - For installation of Kit No. 701-126A, see page 2 or page 3.

Assembly Instructions



24818

Front Rack Assembly To Heavy Duty Brush Guard
Series 20 ST Trekers
Figure 1

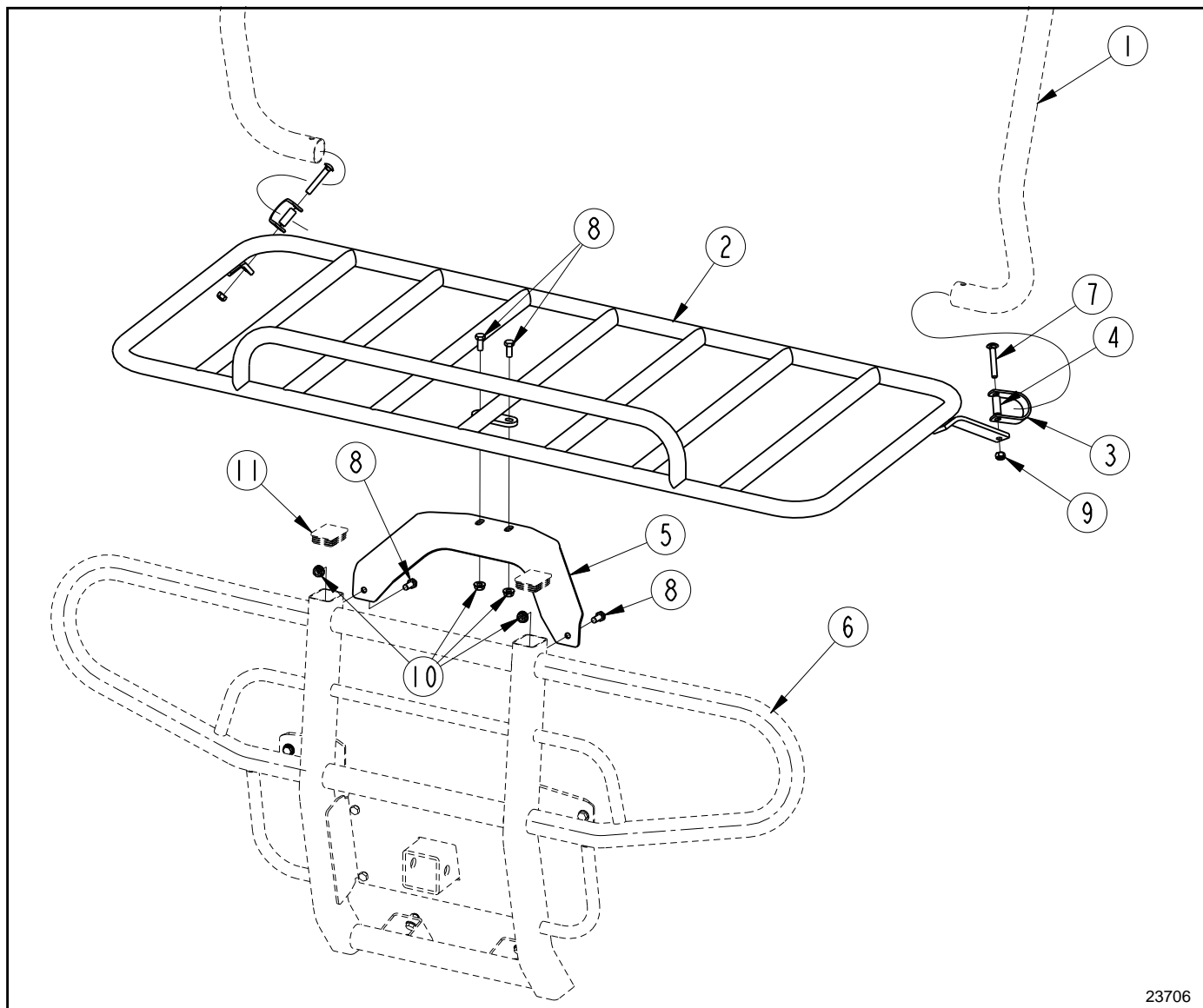
Assembly Instructions for Kit No's. 701-171A and 701-126A

Front Rack mounted to Heavy Duty Brush Guard (Reference Series 20 ST Trekers)

Refer to Figure 1:

1. Remove plastic end caps (#6) from Heavy Duty Brush Guard (#1).
2. Attach adapter bracket (#3) to Heavy Duty Brush Guard with 5/16"-18 x 3/4" lg. GR5 hex bolts (#4A) and 5/16" hex locknuts (#5). **Do not tighten.**
3. Remove only the top two accessory bar mounting screws (#4B). Do not remove screws (#4C). Pivot front rack (#7) up at the front and attach rack top mounting holes to the accessory bar top mounting holes with existing mounting screws (#4B). Draw mounting screws up snug. **Do not tighten.**
4. Remove only the bottom two accessory bar mounting screws (#4C) and pivot front rack down. Reinstall mounting screws (#4C) and draw up snug.
5. Insert two 5/16"-18 x 1-1/2 GR.5 Bolts (#4D) through Front Rack (#7) and adapter bracket (#3). Secure with 5/16" hex lock nuts (#5). **Do not tighten.**
6. Adjust the Front Rack (#7) to be level and centered on the Treker.
7. Tighten all 5/16" hex head bolts (#4A, 4B, 4C & 4D) to 17 ft-lbs. of torque.
8. Replace plastic end caps (#6).

Assembly Instructions



23706

Front Rack Assembly To Heavy Duty Brush Guard
Series 00 & 10 ST Trekers
Figure 2

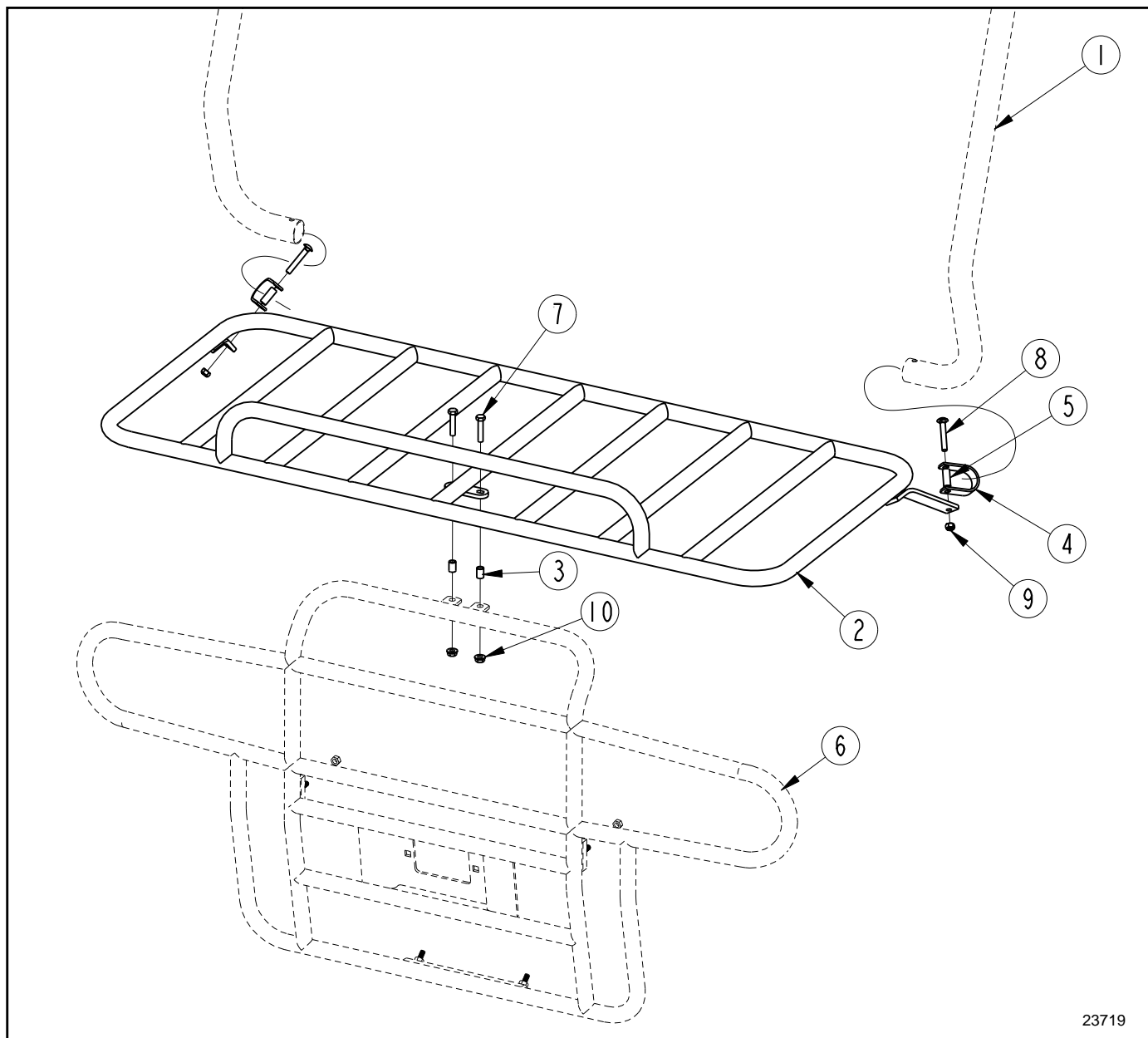
Assembly Instructions for Kit No's. 701-122A and 701-126A

Front Rack mounted to Heavy Duty Brush Guard (Reference Series 00 & 10 ST Trekers)

Refer to Figure 2:

1. Remove plastic end caps (#11) from the Heavy Duty Brush Guard (#6).
2. Attach adapter bracket (#5) to Heavy Duty Brush Guard with 5-16"-18 x 3/4" lg. GR5 hex bolts (#8) and 5/16" hex locknuts (#10). **Do not tighten.**
3. Align front two tabs on the Front Rack (#2) with holes in the adapter bracket (#5) as shown. Insert two 5/16"-18 x 1-1/2 GR5 Bolts (#8) through the Front Rack and adapter bracket. Secure with 5/16" hex lock nuts (#10). **Do not tighten.**
4. Attach back two tabs on Front Rack (#2) to the four post accessory bar (#1) with 1-1/2" U-Clamps (#3), 5/16" x 2" Carriage Bolts (#7), and 1 1/8" long Spacers (#4), Secure with 5/16" hex lock nuts (#9). **Do not tighten.**
5. Adjust Front Rack (#2) to be level and centered on the Treker.
6. Tighten all 5/16" hex lock nuts (#9 & #10) to 17 ft. lbs of torque.
7. Replace plastic end caps (#11).

Assembly Instructions



Front Rack Assembly To Standard Brush Guard
Series 00 & 10 ST Trekers
Figure 3

Assembly Instructions for Kit No. 701-053A

Front Rack mounted to Standard Brush Guard (Reference Series 00 & 10 ST Trekers)

Refer to Figure 3:

- Align front two tabs on the Front Rack (#2) with top two tabs on the Standard Brush Guard (#6). Insert two 5/16"-18 x 1-1/2 GR5 Bolts (#7) through tabs in Front Rack (#2), 5/8" long spacers (#3) and tabs in Brush Guard (#6). Secure with 5/16" hex lock nuts (#10). **Do not tighten.**
- Attach back two tabs on Front Rack (#2) to the four post accessory bar with two 1-1/2" U-Clamps (#4), 5/16" -18 x 2" lg. carriage bolts (#8), and 1 1/8" long spacers (#5), secure with 5/16" hex lock nuts (#9). **Do not tighten.**
- Adjust the Front Rack (#2) to be level and centered on the Treker.
- Tighten all 5/16" hex lock nuts (#9 & #10) to 17 ft. lbs of torque.

Assembly Instructions
**Kit No. 701-171A Series 20 ST Front Rack Kit:
Mounts to the Heavy Duty Brush Guard**

Qty.	Part No.	Part Description
1	840-326C	RACK, ST FRONT CARGO
1	701-126A	ST FRONT RACK ADAPTER KIT (SEE KIT NO. 701-126A BELOW FOR LISTING OF PARTS)

**Kit No. 701-122A Series 00 & 10 ST Front Rack Kit:
Mounts to the Heavy Duty Brush Guard**

Qty.	Part No.	Part Description
1	701-053A	ST FRONT RACK KIT (SEE KIT NO. 701-053A BELOW FOR LISTING OF PARTS)
1	701-126A	ST FRONT RACK ADAPTER KIT (SEE KIT NO. 701-126A BELOW FOR LISTING OF PARTS)

**Kit No. 701-053A Series 00 & 10 ST Front Rack Kit:
Mounts to the Standard Brush Guard**

Qty.	Part No.	Part Description
1		FRONT RACK ST
2	802-012C	HHCS 5/16-18X1 1/2 GR5
2	802-199C	RHSNB 5/16-18X2 GR5
4	803-084C	NUT HEX NYLOCK 5/16-18 PLT
2	700-361D	5/8 U-CLAMP SPACER UCS58BLK
2	700-362D	1 1/2" U-CLAMP UC112
2	700-363D	1 1/8 U-CLAMP SPACER 10458
1	701-123M	MANUAL, ST FRONT CARGO RACK

**Kit No. 701-126A ST Front Rack Adapter Kit:
Attaches Front Rack to a Heavy Duty Brush Guard**

Qty.	Part No.	Part Description
1	700-459D	RACK MOUNT FRONT PLATE
1	701-123M	MANUAL, ST FRONT CARGO RACK
4	802-387C	HEX FLANGE SCREW 5/16-18X3/4 GR5
4	803-177C	HEX NUT FLANGE TOP LOCK 5/16-18



Corporate Office: P.O. Box 5060
Salina, Kansas 67402-5060 USA
www.landpride.com

Free Manuals Download Website

<http://myh66.com>

<http://usermanuals.us>

<http://www.somanuals.com>

<http://www.4manuals.cc>

<http://www.manual-lib.com>

<http://www.404manual.com>

<http://www.luxmanual.com>

<http://aubethermostatmanual.com>

Golf course search by state

<http://golfingnear.com>

Email search by domain

<http://emailbydomain.com>

Auto manuals search

<http://auto.somanuals.com>

TV manuals search

<http://tv.somanuals.com>