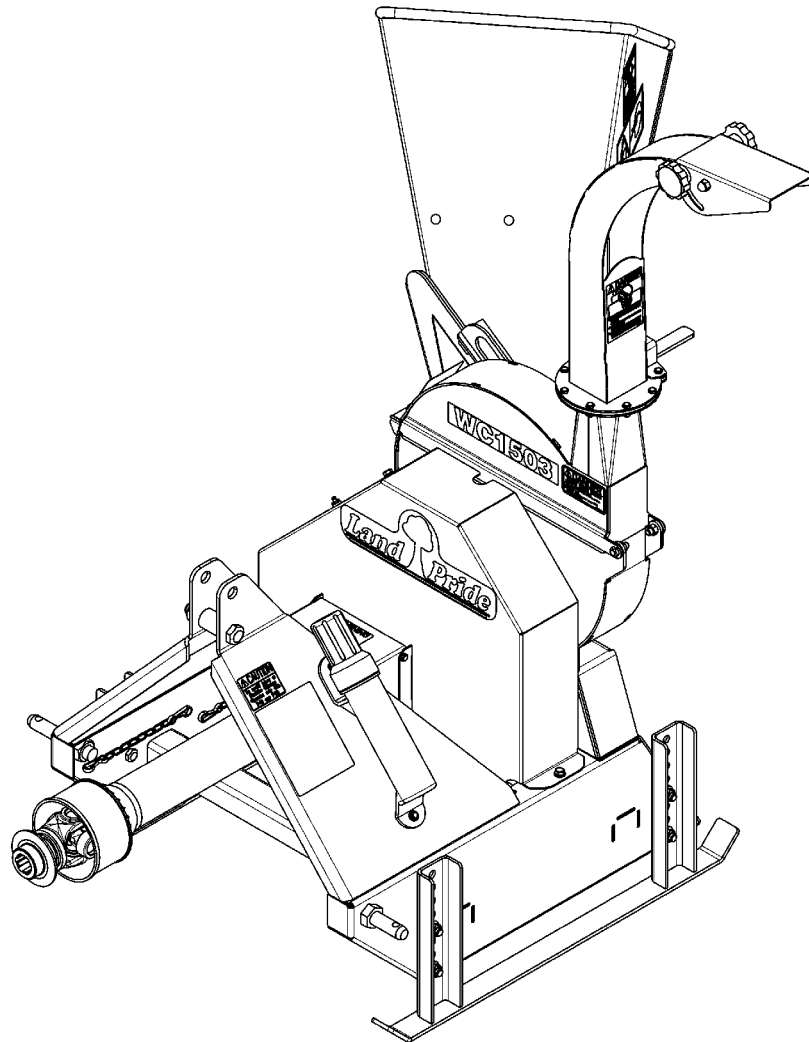


Wood Chippers

WC1503



35115

328-085P **Parts Manual**



Read the Operator's manual entirely. When you see this symbol, the subsequent instructions and warnings are serious - follow without exception. Your life and the lives of others depend on it!

© Copyright 2015 Printed 04/07/15

Cover photo may show optional equipment not supplied with standard unit.





Table of Contents

Section 1: Introduction.....	4
Using This Manual.....	4
Manual Replacement Information.....	4
Manual Revisions.....	4
Touch-up Paint.....	4
Hardware Legend.....	5
Replacement Hardware.....	5
Serial Numbers.....	5
Part Number Service Coding.....	5
Section 2: Frame & Chute Components.....	6
Discharge Chute Components.....	6
Frame & Feed Chute Components S/N 795870-.....	8
Frame & Feed Chute Components S/N 795871+.....	10
Section 3: Drive Components.....	12
Chipper Input Drive Components.....	12
Chipper Output Drive Components.....	14
Driveline (826-767C) Comer.....	16
Section 4: Labels.....	18
Label Placement.....	18
Part Number Index.....	20

© Copyright 2015. All rights reserved.

Land Pride provides this publication “as is” without warranty of any kind, either expressed or implied. While every precaution has been taken in the preparation of this manual, Land Pride assumes no responsibility for errors or omissions. Neither is any liability assumed for damages resulting from the use of the information contained herein. Land Pride reserves the right to revise and improve its products as it sees fit. This publication describes the state of this product at the time of its publication, and may not reflect the product in the future. The illustrations in this manual are not intended for safe and proper assembly or disassembly of equipment. The illustrations are intended for ordering parts only.

Land Pride is registered trademark.

All other brands and product names are trademarks or registered trademarks of their respective holders.

Printed in the United States of America.



Alphabetized Table of Contents

C

Chipper Input Drive Components.....	12
Chipper Output Drive Components.....	14

D

Discharge Chute Components.....	6
Driveline (826-767C) Comer.....	16

F

Frame & Feed Chute Components S/N 795870-.....	8
Frame & Feed Chute Components S/N 795871+.....	10

L

Label Placement.....	18
----------------------	----

General Information

Using This Manual

This manual is divided into sections. The first section contains General Information. The remaining sections divide the machine into segments (i.e. Frames, Drives, Hydraulics, etc.) which illustrate and list all parts. A Parts Number Index is located at the back of the book.

The Land Pride parts in this manual are specially designed for this machine and should be replaced with Land Pride parts only.

The information in this manual is current at time of printing. Some parts may change to assure top performance.

Right-hand and left-hand as used in this manual are determined by facing the direction the machine will travel while in use.

Below is an example of two facing pages from a parts manual. Familiarize yourself with the type of information contained on these pages.

Manual Replacement Information

Replacement manuals are available. Refer to our website at www.landpride.com or e-mail us at lit@landpride.com for additional information. Our website continues to provide the most up-to-date manuals available.

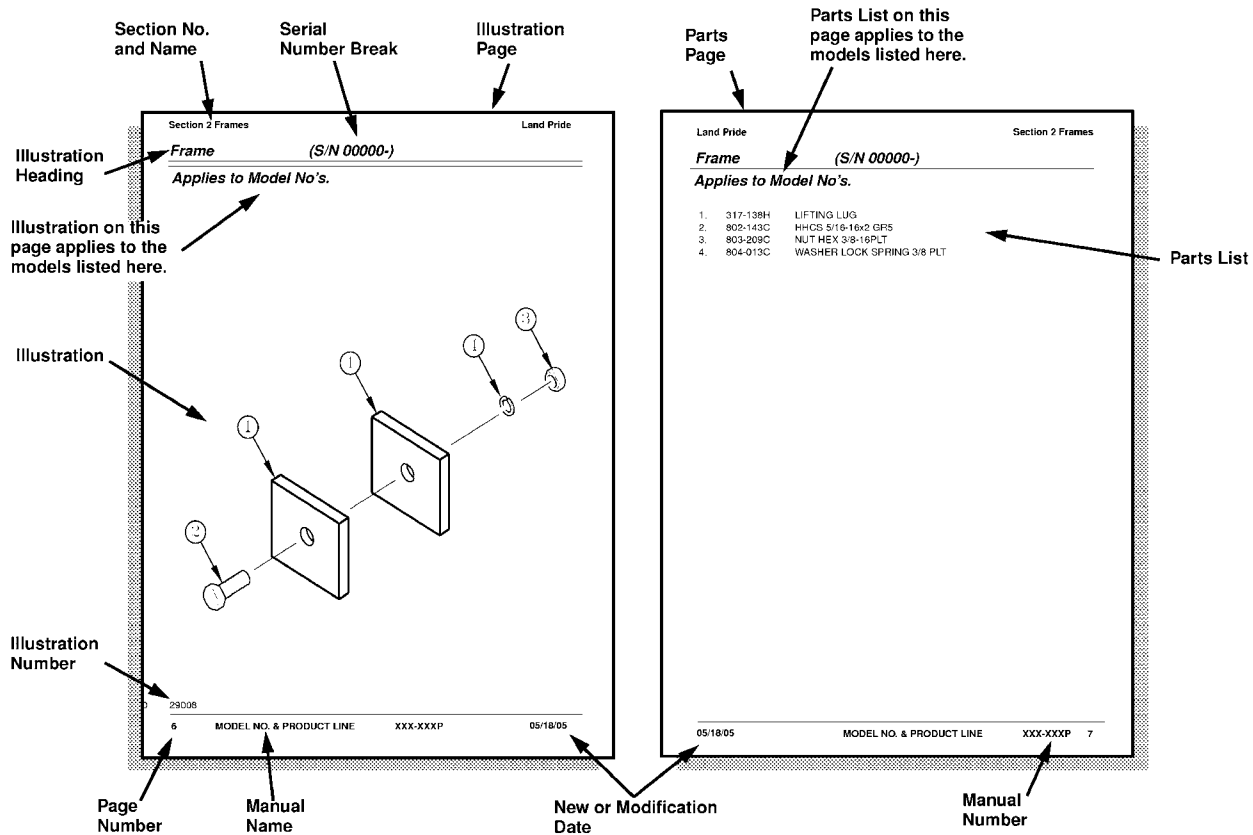
Touch-up Paint

Repaint parts where paint is worn or scratched to prevent rust. Aerosol cans and touch-up bottles with brush applicator are available through your local dealer. Land Pride color descriptions and part numbers are listed below. Also available are quart and gallon size paints. Add QT or GL to end of the Aerosol P/N.

Color	Product*	Aerosol	Touch-Up
Gloss Black	LP	821-032C	821-032CTU
Beige	LP	821-011C	821-011CTU
Green	SLP	821-058C	821-058CTU
Orange	SLP	821-066C	821-066CTU
Red	SLP	821-054C	821-054CTU
Blue	SLP	821-067C	821-067CTU

Notes:

- * LP = All Land Pride Products
- SLP = Select Land Pride Products that are available in optional Green, Orange and Red.



General Information

Hardware Legend

AR	As Required
BLADE	Blade Bolt
C	Cap Screw
CP	Cotter Pin
CPHSSS	Cup Point Hex Socket Set Screw
CPSHSS	Cup Point Square Head Set Screw
CPSQHSS	Cup Point Square Head Set Screw
CRFCHMS3	Cross Recess Flat Countersunk Head Machine Screw
CRPHMS	Cross Recess Pan Head Machine Screw
CRPHTF	Cross Recess Pan Head Thread Forming
CRRHMS	Cross Recess Round Head Machine Screw
CRTHMS	Cross Recess Truss Head Machine Screw
CSNB	Countersunk Square Neck Bolt
FHMS	Flat Head Machine Screw
FTC	Full Thread Cap Screw
H	Hex Nut
HCLN	Hex Center Lock Nut
HFLCS	Hex Flange Lock Cap Screw
HFS	Hex Flange Screw
HFSLN	Hex Flange Serrated Lock Nut
HFSS	Hex Flange Serrated Screw
HHCS	Hex Head Cap Screw or Metric Bolt
HSBHCS	Hex Socket Button Head Cap Screw
HSFCHCS	Hex Socket Flat Countersunk Head Cap Screw
HSHCS	Hex Socket Head Cap Screw
HSSS	Hex Socket Head Screw
HTLN	Hex Top Lock Nut
HWHCS	Hex Washer Head Cap Screw

HWHMS	Hex Washer Head Machine Screw
HXBHCS	Hex Socket Button Head Cap Screw
J	Hex Jam Nut
JIC	37 Degree Tapered Thread
L	Helical Spring Lock Washer
LUG	Lug Bolt
NFC	National Fine Cap Screw
NPSM	National Pipe Straight Mechanical
NPTF	National Pipe Taper Fuel
P	Wide Plain Washer
PHMS	Pan Head Machine Screw
PLOW	Plow Bolt
RHMS	Round Head Machine Screw
RHSNB	Round Head Square Neck Bolt
SCREW LEVELING	Leveling Screw
SCREW THUMB	Thumb Screw
SCREW WELD	Weld Screw
SFCHMS	Slotted Flat Countersunk Head Machine Screw
SFHMS	Slotted Fillister Head Machine Screw
SP	Special
SP SCREW	Special Screw
SOHSS	Square Head Set Screw
SRHMS	Slotted Round Head Machine Screw
SSS	Socket Set Screw
STCS	Self Tapping Cap Screw
STHMS	Slotted Truss Head Machine Screw
WHEEL	Wheel Studs and Hub Long Bolts
WING	Wing Bolt

Replacement Hardware

The **Hardware Legend** above lists hardware abbreviations used in the parts list. All bolts and nuts are Grade 5 unless otherwise noted. The use of improper grades of hardware can result in personal injury, damage to equipment, or loss of property.

Colored Replacement Parts

Land Pride offers replacement parts in factory standard colors and also on select models in Green, Orange, Red and Blue. Because of the variety of colors available, special attention must be given to the part number to prevent ordering the wrong replacement part.

A suffix number corresponding to one of the colors below must be added at the end of Land Pride's part number when ordering a replacement part with that color.

81 Green 83 Red
82 Orange 84 Blue

For example, if you are ordering a replacement part with part number 555-555C and the part you need is red, then add the suffix 83 to the end of the number to make the part number read 555-555C83. Parts ordered without a suffix number will be supplied in factory standard colors.

Black Replacement Parts

Some parts are factory standard black and some must be special ordered black. If your part is special ordered black, a second part number with the additional suffix number 85 on the end will be available. In this situation you must order that part with the suffix number for it to be black. Parts that are factory standard black will not have the suffix number.

Part Number Service Coding

Within the parts list some part numbers are coded for revisions and interchangeability. See notations in revision column.

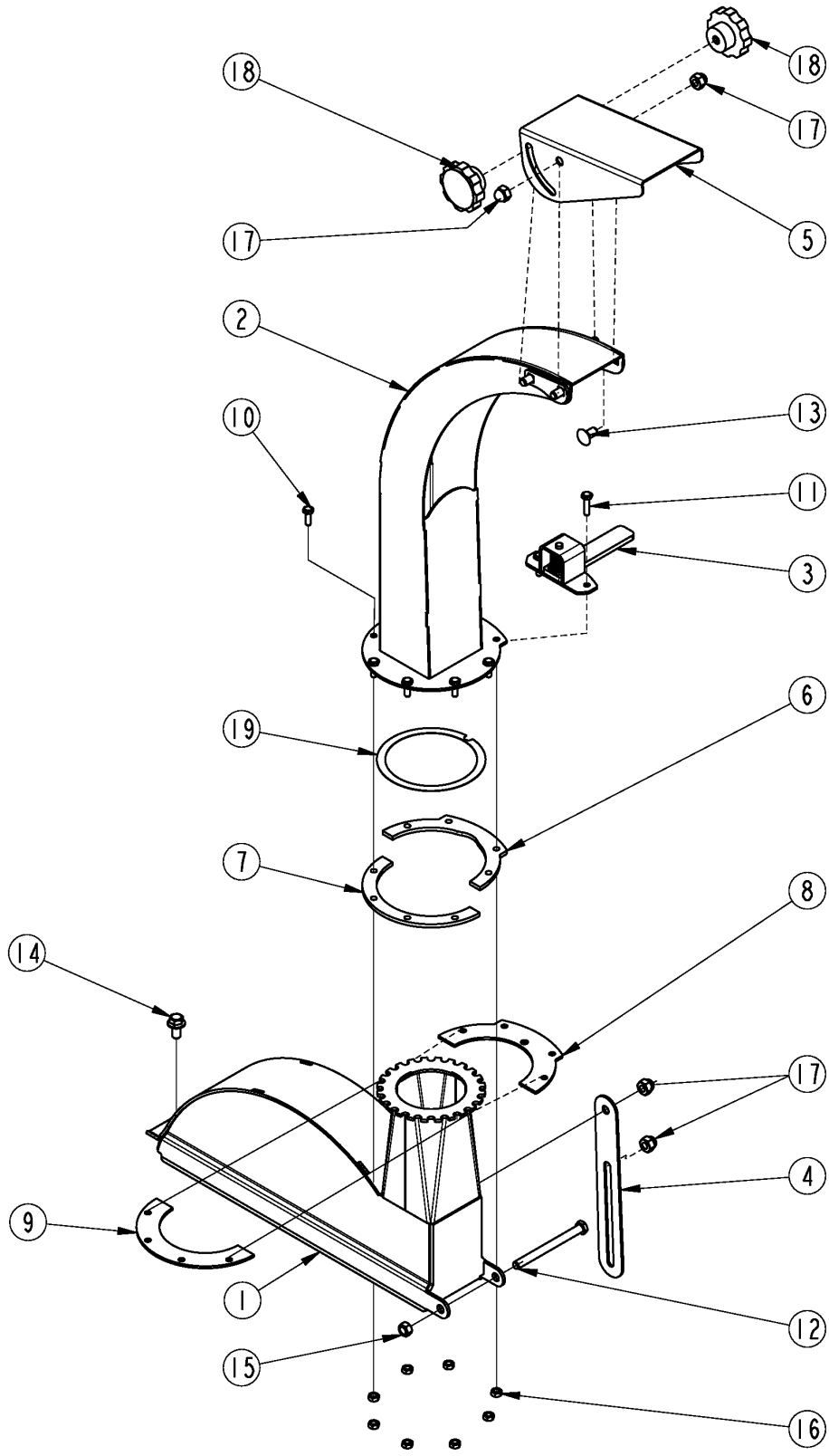
Serial Numbers

Always use the serial and model number when ordering parts. Refer to the Operator's Manual for serial number plate location.

- (S/N 20001+) Includes serial numbers 20001 and above (to the latest number)
- (S/N 10001 to 20000) Includes serial numbers between and including 10001 and 20000
- (S/N 10000-) Includes serial numbers 10000 and below (to the earliest number)

Discharge Chute Components

Applies to WC1503



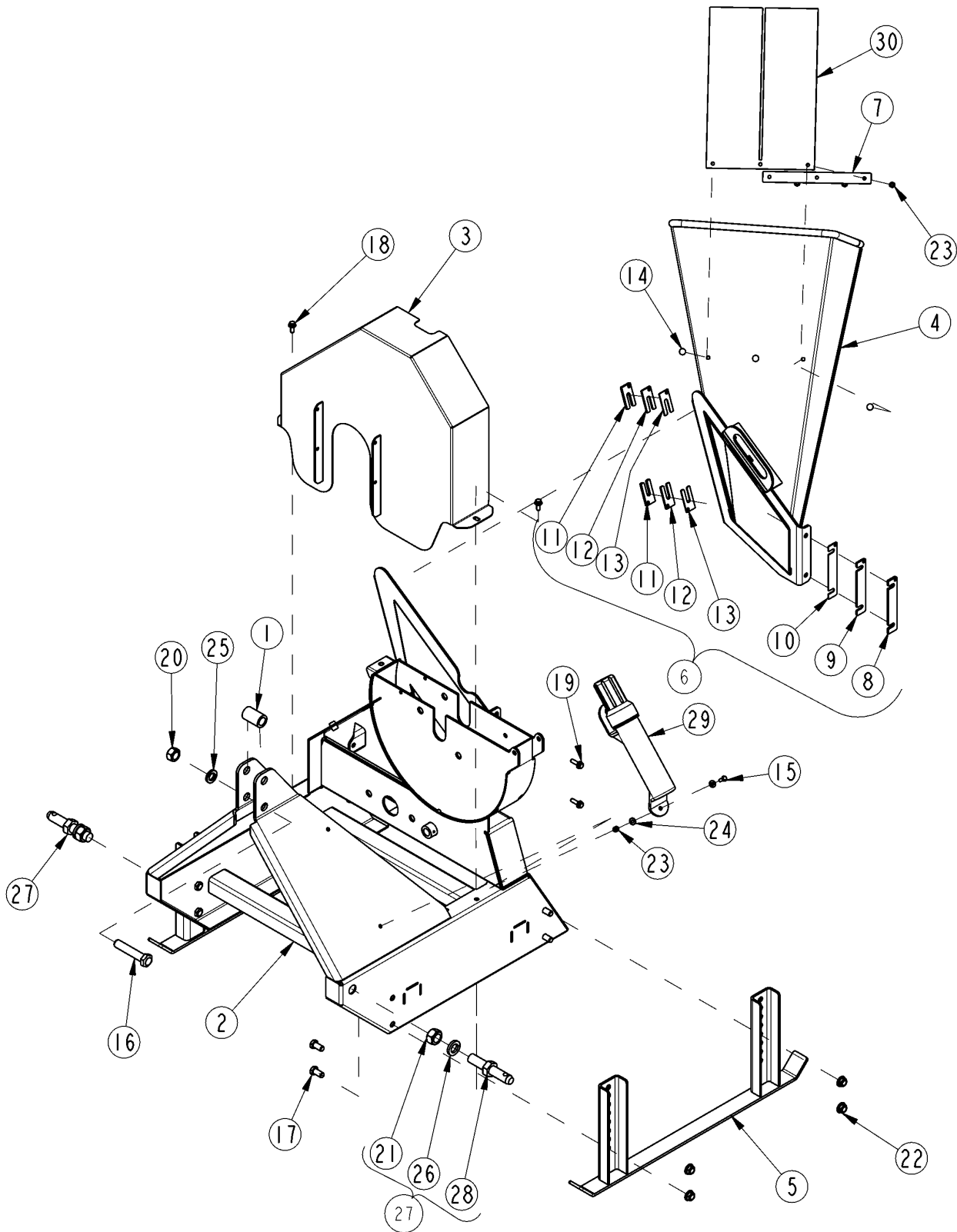
35179

Discharge Chute Components**Applies to WC1503**

Ref	Part No.	Part Description	Comments	Revision
	dwg35179	Drawing Image Number		
1.	328-061H	HOUSING, UPPER ROTOR		
1.	328-061H81	HOUSING, UPPER ROTOR GREEN		
1.	328-061H82	HOUSING, UPPER ROTOR ORANGE		
2.	328-062H	DISHCHARGE CHUTE WLDMT		
3.	328-064H	ROTATION CHUTE LOCK WLDMT		
4.	328-166D	STRAP LOCKING		
5.	328-174D	DEFLECTOR, CHUTE		
6.	328-177D	SPACER FRONT HALF RING		
7.	328-178D	SPACER REAR HALF RING		
8.	328-179D	CLAMP LOWER CHUTE FRONT		
9.	328-180D	CLAMP LOWER CHUTE REAR		
10.	802-004C	HHCS 1/4-20X3/4 GR5		
11.	802-005C	HHCS 1/4-20X1 GR5		
12.	802-750C	HHCS 3/8-16X4 1/4 GR5	S/N 935682+	
12.	802-017C	HHCS 3/8-16X1 GR5	S/N 935681-	
13.	802-149C	RHSNB 3/8-16X3/4 GR5		
14.	802-185C	HFSS 3/8-16X3/4 LG		
15.	803-013C	NUT LOCK 3/8-16 PLT		
16.	803-007C	NUT LOCK 1/4-20 PLT		
17.	803-380C	NUT,3/8-16 PLT REGULAR ACORN		
18.	817-259C	KNOB 3/8-16 FEMALE THD 2 3/8OD		
19.	817-986C	UHMW CHUTE BEARING		

Frame & Feed Chute Components S/N 795870-

Applies to WC1503



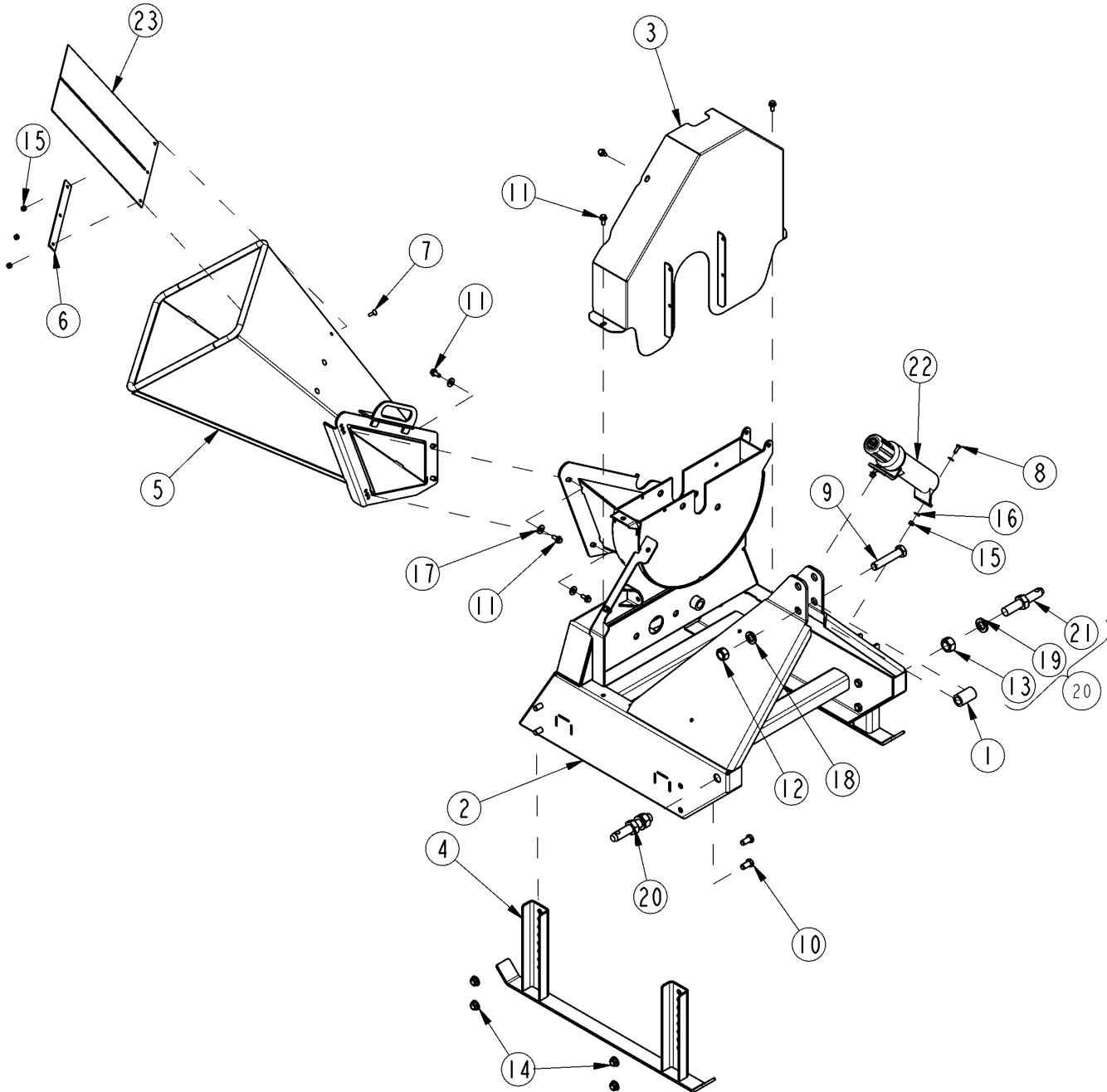
35116

Frame & Feed Chute Components S/N 795870-**Applies to WC1503**

Ref	Part No.	Part Description	Comments	Revision
	dwg35116	Drawing Image Number		
1.	308-400D	SPACER 1 1/4OD X 13/16ID X 2LG		
2.	328-057H	FRAME LOWER WLDMT		
2.	328-057H81	FRAME LOWER WLDMT GREEN		
2.	328-057H82	FRAME LOWER WLDMT ORANGE		
3.	328-060H	PULLEY SHROUD		
3.	328-060H81	PULLEY SHROUD GREEN		
3.	328-060H82	PULLEY SHROUD ORANGE		
4.	328-065H	FEED CHUTE WLDMT 3"		
4.	328-065H81	FEED CHUTE WLDMT 3" GREEN		
4.	328-065H82	FEED CHUTE WLDMT 3" ORANGE		
5.	328-078H	SKID EXTENSION		
6.	328-102A	SHIM KIT REAR INLET		
7.	328-191D	HOLD DOWN STRAP		
8.	328-283D	SHIM .187 LH REAR INLET		
9.	328-284D	SHIM .134 LH REAR INLET		
10.	328-285D	SHIM .075 LH REAR INLET		
11.	328-286D	SHIM .187 RH REAR INLET		
12.	328-287D	SHIM .134 RH REAR INLET		
13.	328-288D	SHIM .075 RH REAR INLET		
14.	802-002C	RHSNB 1/4-20X3/4 GR5		
15.	802-004C	HHCS 1/4-20X3/4 GR5		
16.	802-204C	HHCS 3/4-10X3 3/4 GR5		
17.	802-258C	HHCS 1/2-13X1 GR5		
18.	802-387C	HFS 5/16-18X3/4 GR5		
19.	802-431C	HFSS 5/16-18X1 GR5 PLT		
20.	803-027C	NUT HEX 3/4-10 PLT		
21.	803-149C	NUT HEX 7/8-14 PLT		
22.	803-169C	NUT HEX FLG LOCK 1/2-13 PLT		
23.	803-255C	NUT HEX NYLOCK 1/4-20		
24.	804-007C	WASHER FLAT 1/4 SAE PLT		
25.	804-023C	WASHER LOCK SPRING 3/4 PLT		
26.	804-037C	WASHER LOCK SPRING 7/8 PLT		
27.	805-111C	PIN HTCH C1 7/8-14 THD W/N		
28.	N/A	PIN DRAW 7/8 X 5		
29.	816-504C	MANUAL STORAGE CONTAINER		
30.	816-699C	RUBBER FLAP		

Frame & Feed Chute Components S/N 795871+

Applies to WC1503



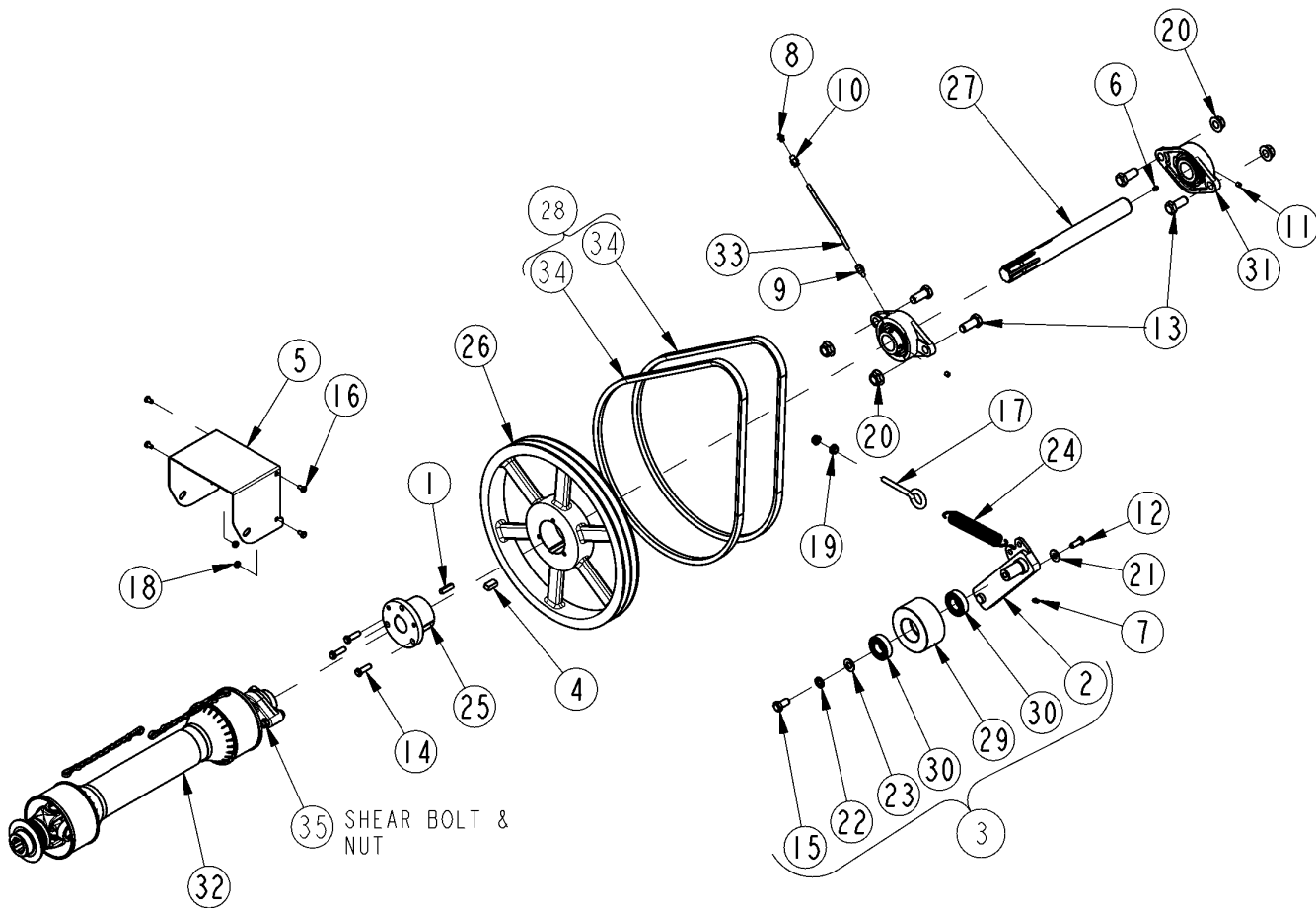
35467

Frame & Feed Chute Components S/N 795871+**Applies to WC1503**

Ref	Part No.	Part Description	Comments	Revision
	dwg35467	Drawing Image Number		
1.	308-400D	SPACER 1 1/4OD X 13/16ID X 2LG		
2.	328-057H	FRAME LOWER WLDMT		
2.	328-057H81	FRAME LOWER WLDMT GREEN		
2.	328-057H82	FRAME LOWER WLDMT ORANGE		
3.	328-060H	PULLEY SHROUD		
3.	328-060H81	PULLEY SHROUD GREEN		
3.	328-060H82	PULLEY SHROUD ORANGE		
4.	328-078H	SKID EXTENSION		
5.	328-103H	FEED CHUTE WLDMT 3"		
5.	328-103H81	FEED CHUTE WLDMT 3" GREEN		
5.	328-103H82	FEED CHUTE WLDMT 3" ORANGE		
6.	328-191D	HOLD DOWN STRAP		
7.	802-002C	RHSNB 1/4-20X3/4 GR5		
8.	802-004C	HHCS 1/4-20X3/4 GR5		
9.	802-204C	HHCS 3/4-10X3 3/4 GR5		
10.	802-258C	HHCS 1/2-13X1 GR5		
11.	802-387C	HFS 5/16-18X3/4 GR5		
12.	803-027C	NUT HEX 3/4-10 PLT		
13.	803-149C	NUT HEX 7/8-14 PLT		
14.	803-169C	NUT HEX FLG LOCK 1/2-13 PLT		
15.	803-255C	NUT HEX NYLOCK 1/4-20		
16.	804-007C	WASHER FLAT 1/4 SAE PLT		
17.	804-010C	WASHER FLAT 5/16 USS PLT		
18.	804-023C	WASHER LOCK SPRING 3/4 PLT		
19.	804-037C	WASHER LOCK SPRING 7/8 PLT		
20.	805-111C	PIN HTCH C1 7/8-14 THD W/N		
21.	N/A	PIN HTCH C1 7/8-14 THD		
22.	816-504C	MANUAL STORAGE CONTAINER		
23.	816-699C	RUBBER FLAP		

Chipper Input Drive Components

Applies to WC1503

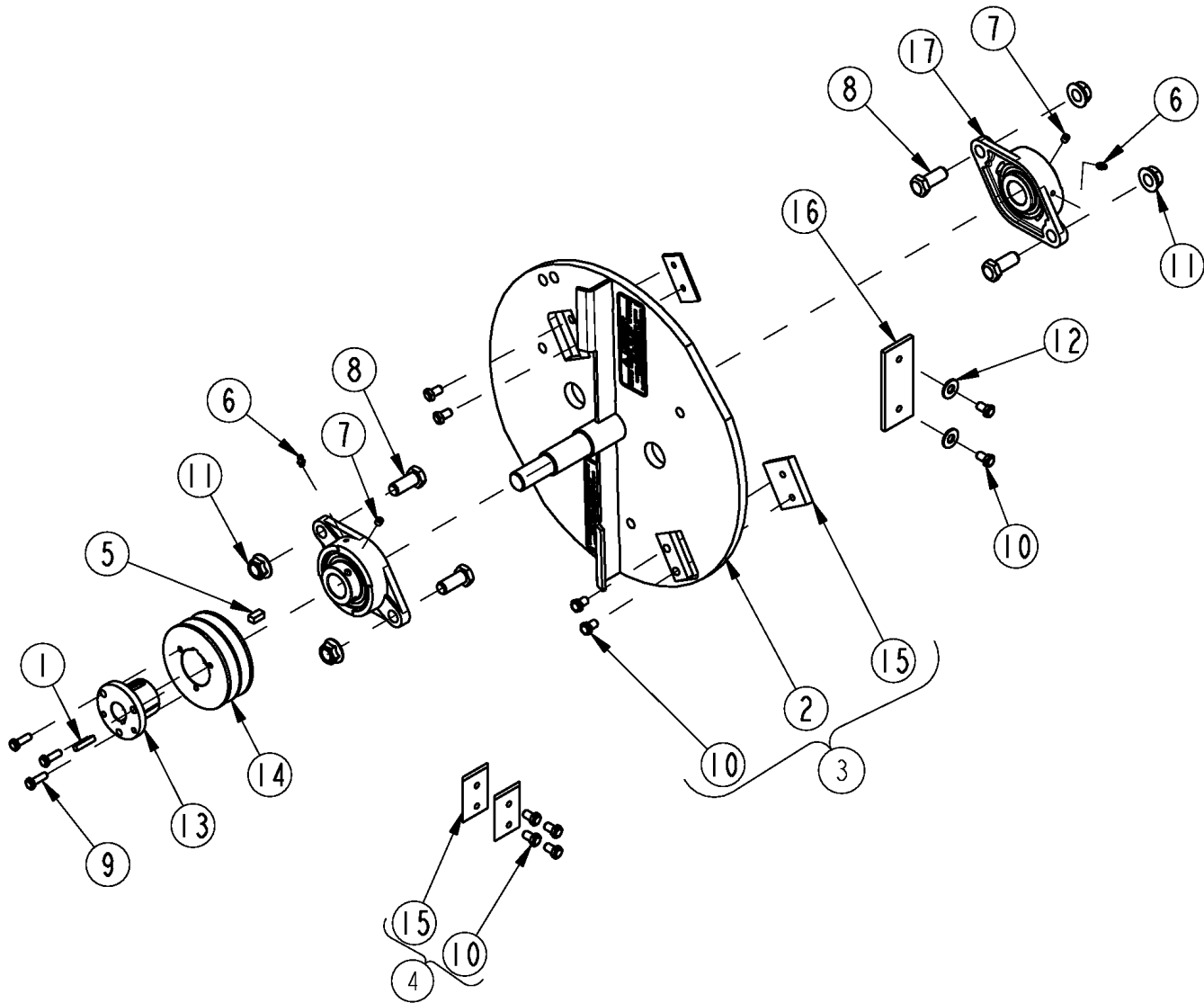


Chipper Input Drive Components**Applies to WC1503**

Ref	Part No.	Part Description	Comments	Revision
	dwg35180	Drawing Image Number		
1.	314-099D	KEY 5/16 X 1 1/4 LONG		
2.	328-058H	IDLER ARM WLDMT		
3.	328-059S	IDLER ARM ASY		
4.	328-145D	KEY RECT 1/2 X 3/8 X 1" LG		
5.	328-169D	INPUT SHIELD		
6.	800-001C	GREASE ZERK STRAIGHT 1/4-28		
7.	800-080C	GREASE ZERK 1/4-28 THD FORMING		
8.	800-130C	GREASE ZERK STRAIGHT 1/8-27NPT		
9.	800-211C	GREASE ADAPT 1/4-28M X 1/4 TB		
10.	800-372C	FTG TUBE, PUSH CONNECT 1/8NPT		
11.	801-027C	SCR HEX SCKT. 5/16-24 X 5/16		
12.	802-017C	HHCS 3/8-16X1 GR5		
13.	802-051C	HHCS 5/8-11X1 1/2 GR5		
14.	802-079C	HHCS 3/8-16X1 1/4 GR5		
15.	802-258C	HHCS 1/2-13X1 GR5		
16.	802-301C	HHCS 1/4-20X1/2 GR5		
17.	802-674C	CLOSED EYE BOLT 3/8-16X4 1/2		
18.	803-007C	NUT LOCK 1/4-20 PLT		
19.	803-068C	NUT HEX FLANGE 3/8-16 PLT		
20.	803-196C	NUT HEX FLANGE 5/8-11 PLT		
21.	804-011C	WASHER FLAT 3/8 USS PLT		
22.	804-015C	WASHER LOCK SPRING 1/2 PLT		
23.	804-016C	WASHER FLAT 1/2 SAE PLT		
24.	807-272C	SPRING EXT 1.00OD .148W 6.50L		
25.	808-445C	BSHG, Q1 SPLIT TAPER		
26.	808-447C	PULLEY, 2TB160 SHEAVE		
27.	815-391C	DRIVE SHAFT 1 3/8-6 W/KEYWAY		
28.	816-737C	V-BELT, B-SEC. 59 PL (PAIR)		
29.	817-950C	BELT TENSIONER 2BELT UHMW		
30.	822-257C	BRG, 1.00IDX2.046ODX.59SEAL		
31.	822-275C	BRG, FLG 1 3/8ID 2 BOLT		
32.	826-767C	DRIVELINE 540,1700NM SHEARBOLT		
33.	990-109R	TUBE NYLON 1/4OD X 062WL	1 FT. Sold per Foot	
34.	N/A	V-BELT, B-SEC. 59 PL		
35.	165.000.505	CO BOLT & NUT M8X50 CL.8.8		

Chipper Output Drive Components

Applies to WC1503



35181

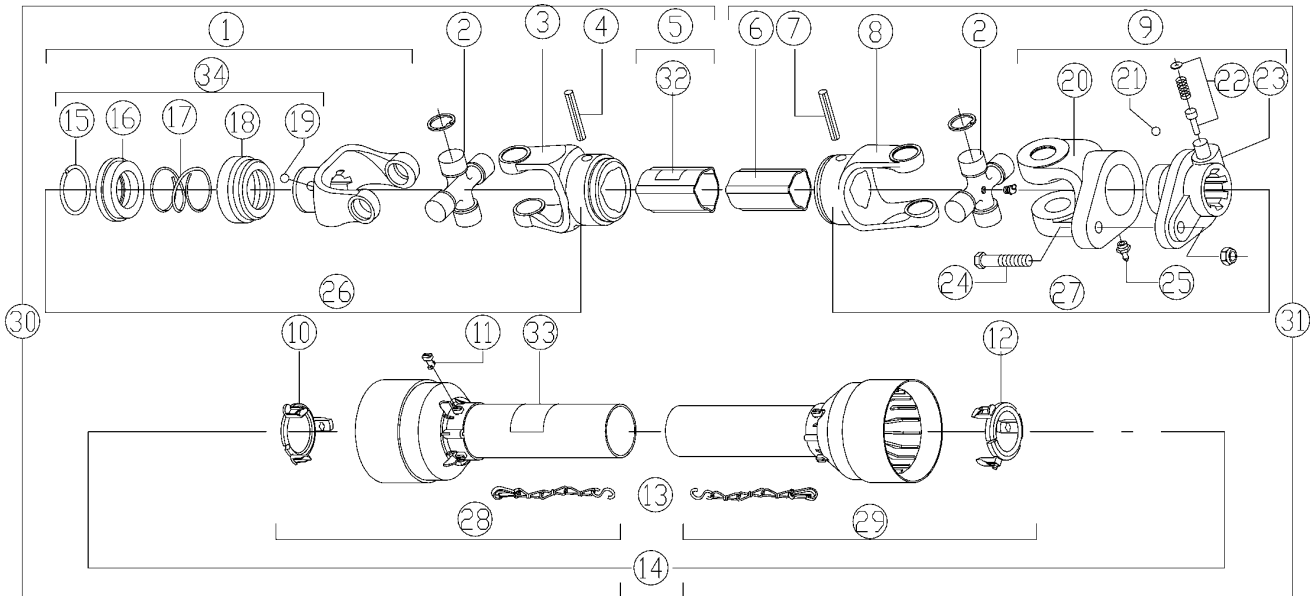
Chipper Output Drive Components

Applies to WC1503

Ref	Part No.	Part Description	Comments	Revision
	dwg35181	Drawing Image Number		
1.	168-276D	KEY 1/4 X 1/4 X 1 1/4 LG		
2.	328-055H	ROTOR WLDMT		
3.	328-056S	ROTOR W/KNIVES		
4.	328-106A	KNIVE/BOLT KIT	Service Part	
5.	328-144D	KEY RECT 3/8 X 5/16 X 3/4 LG		
6.	800-001C	GREASE ZERK STRAIGHT 1/4-28		
7.	801-027C	SCR HEX SCKT. 5/16-24 X 5/16		
8.	802-051C	HHCS 5/8-11X1 1/2 GR5		
9.	802-159C	HHCS 5/16-18X1 GR5		
10.	802-961C	HHCS 3/8-24X5/8 G8 PLT THD-LCK		
11.	803-196C	NUT HEX FLANGE 5/8-11 PLT		
12.	804-011C	WASHER FLAT 3/8 USS PLT		
13.	808-444C	BSHG, P1 SPLIT TAPER		
14.	808-446C	PULLEY, 2TB42 SHEAVE		
15.	820-472C	KNIFE REVERSIBLE - 17.5 ROTOR		
16.	820-476C	KNIFE, LEDGER 3"		
17.	822-274C	BRG, FLG 1 1/4ID 2 BOLT		

Driveline (826-767C) Comer

Applies to WC1503



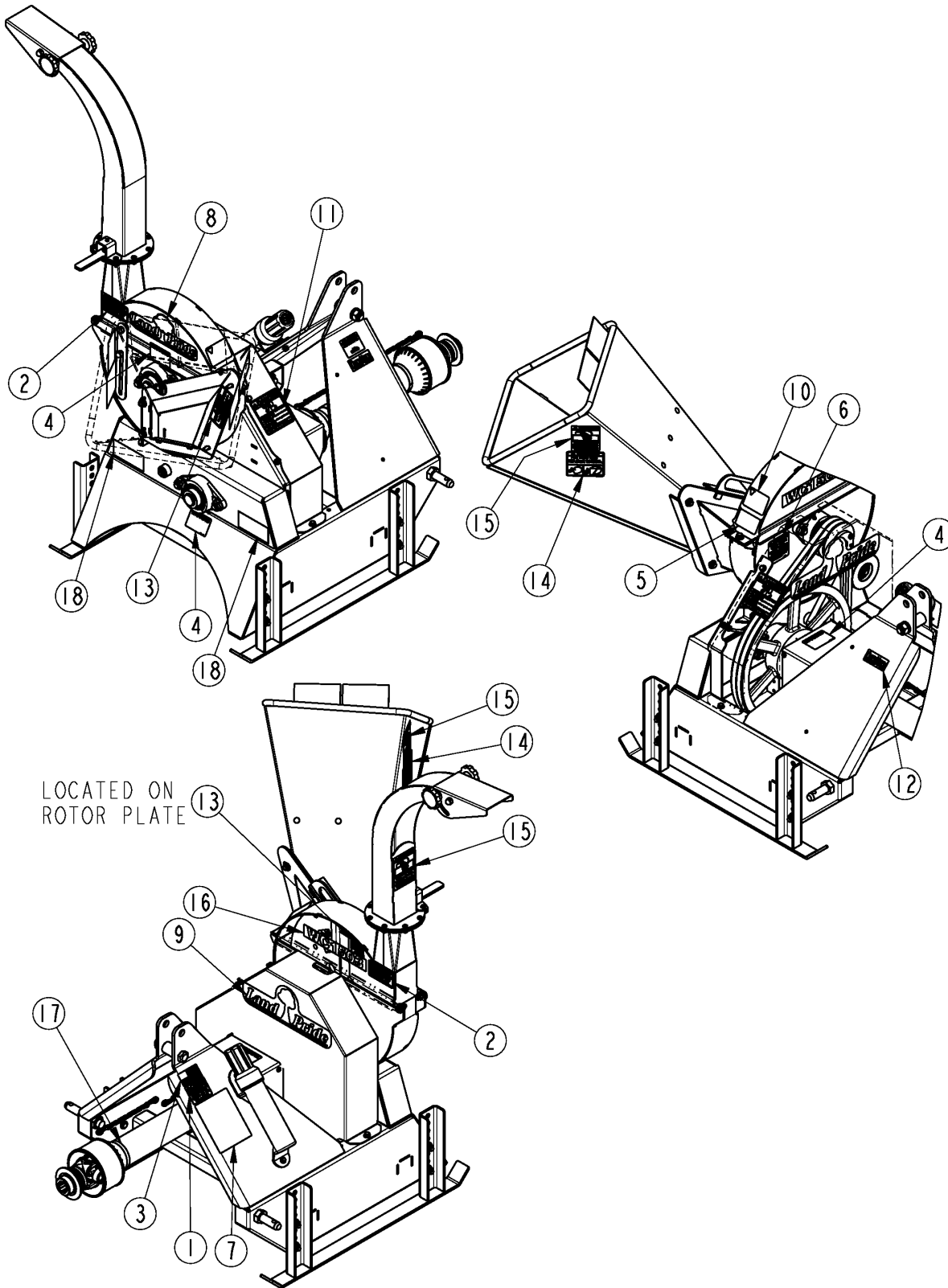
35226

Driveline (826-767C) Comer**Applies to WC1503**

Ref	Part No.	Part Description	Comments	Revision
	dwg35226	Drawing Image Number		
	826-767C	DRIVELINE 540,1700NM SHEARBOLT *		
1.	141.024.430	CO COMPLETE COLLAR YOKE C12		
2.	180.014.130	CO CROSS JOURNAL SET		
3.	151.014.006	CO OUTER YOKE W/LABEL		
4.	190.000.014	CO ROLL PIN FOR OUTER TUBE		
5.	152.140.2920710	CO OUTER TUBE		
6.	153.140.200	CO INNER TUBE		
7.	190.000.012	CO ROLL PIN FOR INNER TUBE		
8.	151.014.007	CO INNER YOKE		
9.	143.240.001	CO YOKE W/SHEAR BLT B02(55XM8)		
10.	180.014.233	CO GRD COLLER OUTER TUBE		
11.	180.014.240	COMER BOLT		
12.	180.014.232	CO GRD COLLER INNER		
13.	180.016.636	CO SAFETY CHAINS		
14.	142.240.3777421	CO COMPLETE GUARD		
15.	190.000.451	COMER OUTER CIRCLIP		
16.	151.016.486	COMER SLIDING SLEEVE COLLER		
17.	180.016.487	COMER SPRING		
18.	180.016.483	COMER FIXED SLEEVE		
19.	190.000.078	COMER BALL 1/2"		
20.	151.014.012	CO YOKE FOR HUB B02 (55XM8)		
21.	190.000.022	CO BALL DIA 1/4"		
22.	166.026.004	COMER PUSH PIN SET 1 3/8		
23.	141.024.013	CO HUB B02 (55XM8)		
24.	165.000.505	CO BOLT & NUT M8X50 CL.8.8		
25.	190.000.020	COMER GREASE FITTING		
26.	121.024.756.10	CO U-JOINT W/YOKES FOR OUTR TB		
27.	121.024.510.10	CO U-JOINT W/YOKES FOR INNR TB		
28.	142.246.0967421	CO HALF FEMALE GUARD		
29.	142.241.2517421	CO HALF MALE SHIELD		
30.	123.340.364.11	CO HALF FEMALE SHAFT W/GUARD		
31.	123.440.055.11	CO HALF MALE SFT W/GUARDING		
32.	190.000.098	COMER DANGER LABEL OUTER TUBE		
33.	190.000.099	COMER DANGER LABEL GUARD OUTER		
34.	165.000.628	COMER COLLOR KIT 1-3/8 YOKE		

Label Placement

Applies to WC1503



35182

Label Placement**Applies to WC1503**

Ref	Part No.	Part Description	Comments	Revision
	dwg35182	Drawing Image Number		
1.	818-130C	DECAL CAUTION 540 RPM		
2.	818-132C	DECAL DANGER THROWN OBJECT HAZ		
3.	818-190C	DECAL FLAG		
4.	818-205C	DECAL WARNING MOVING PARTS HAZ		
5.	818-522C	DECAL MOVING PARTS DANGER		
6.	818-543C	DECAL DANGER PD GUARD MISS SML		
7.	818-858C	DECAL CAUTION GENERAL SAFTEY		
8.	818-890C	DECAL LP W/TREE 10" - 2 COLOR	Beige Unit	
8.	838-963C	DECAL LP 10" W/TREE BROWN/GOLD	Green & Orange Unit	
9.	818-891C	DECAL LP W/TREE 13.25"-2 COLOR	Beige Unit	
9.	838-962C	DECAL LP 13" W/TREE BROWN/GOLD	Green & Orange Unit	
10.	838-093C	DECAL SHARP OBJ HAZARD DISCS		
11.	838-111C	DECAL DANGER MOVING PARTS		
12.	838-517C	DECAL QUICK HITCH SYSTEM		
13.	848-088C	DECAL DANGER GUARD MISSING		
14.	858-190C	DECAL, WARNING FLYING OBJECTS	S/N 846945+	
14.	858-107C	RPBY 858-190C	S/N 846944-	
15.	848-840C	DECAL DANGER ROTATING IMPELLER		
16.	848-916C	DECAL WC1503 BROWN	Beige Unit	
16.	848-917C	DECAL WC1503 GOLD	Green & Orange Unit	
17.	848-969C	DECAL DRIVELINE 826-767C		
18.	858-095C	DECAL REFLECTOR RED 2X4.5	S/N 819231+	



Part Number Index

The Part Number Index is a numeric index of all part numbers included in this manual. The index shows what page(s) the part is used on.

Part Number	Page	Part Number	Page	Part Number	Page
121.024.510.10	17	328-191D	9, 11	822-257C	13
121.024.756.10	17	328-283D	9	822-274C	15
123.340.364.11	17	328-284D	9	822-275C	13
123.440.055.11	17	328-285D	9	826-767C	13, 17
141.024.013	17	328-286D	9	838-093C	19
141.024.430	17	328-287D	9	838-111C	19
142.240.3777421	17	328-288D	9	838-517C	19
142.241.2517421	17	800-001C	13, 15	838-962C	19
142.246.0967421	17	800-080C	13	838-963C	19
143.240.001	17	800-130C	13	848-088C	19
151.014.006	17	800-211C	13	848-840C	19
151.014.007	17	800-372C	13	848-916C	19
151.014.012	17	801-027C	13, 15	848-917C	19
151.016.486	17	802-002C	9, 11	848-969C	19
152.140.2920710	17	802-004C	7, 9, 11	858-095C	19
153.140.200	17	802-005C	7	858-107C	19
165.000.505	13, 17	802-017C	7, 13	858-190C	19
165.000.628	17	802-051C	13, 15	990-109R	13
166.026.004	17	802-079C	13	dwg35116	9
168-276D	15	802-149C	7	dwg35179	7
180.014.130	17	802-159C	15	dwg35180	13
180.014.232	17	802-185C	7	dwg35181	15
180.014.233	17	802-204C	9, 11	dwg35182	19
180.014.240	17	802-258C	9, 11, 13	dwg35226	17
180.016.483	17	802-301C	13	dwg35467	11
180.016.487	17	802-387C	9, 11	N/A	9, 11, 13
180.016.636	17	802-431C	9		
190.000.012	17	802-674C	13		
190.000.014	17	802-750C	7		
190.000.020	17	802-961C	15		
190.000.022	17	803-007C	7, 13		
190.000.078	17	803-013C	7		
190.000.098	17	803-027C	9, 11		
190.000.099	17	803-068C	13		
190.000.451	17	803-149C	9, 11		
308-400D	9, 11	803-169C	9, 11		
314-099D	13	803-196C	13, 15		
328-055H	15	803-255C	9, 11		
328-056S	15	803-380C	7		
328-057H	9, 11	804-007C	9, 11		
328-057H81	9, 11	804-010C	11		
328-057H82	9, 11	804-011C	13, 15		
328-058H	13	804-015C	13		
328-059S	13	804-016C	13		
328-060H	9, 11	804-023C	9, 11		
328-060H81	9, 11	804-037C	9, 11		
328-060H82	9, 11	805-111C	9, 11		
328-061H	7	807-272C	13		
328-061H81	7	808-444C	15		
328-061H82	7	808-445C	13		
328-062H	7	808-446C	15		
328-064H	7	808-447C	13		
328-065H	9	815-391C	13		
328-065H81	9	816-504C	9, 11		
328-065H82	9	816-699C	9, 11		
328-078H	9, 11	816-737C	13		
328-102A	9	817-259C	7		
328-103H	11	817-950C	13		
328-103H81	11	817-986C	7		
328-103H82	11	818-130C	19		
328-106A	15	818-132C	19		
328-144D	15	818-190C	19		
328-145D	13	818-205C	19		
328-166D	7	818-522C	19		
328-169D	13	818-543C	19		
328-174D	7	818-858C	19		
328-177D	7	818-890C	19		
328-178D	7	818-891C	19		
328-179D	7	820-472C	15		
328-180D	7	820-476C	15		

This Page Intentionally Left Blank



Great Plains Manufacturing, Inc.

Corporate Office: P.O. Box 5060
Salina, Kansas 67402-5060 USA

www.landpride.com

Free Manuals Download Website

<http://myh66.com>

<http://usermanuals.us>

<http://www.somanuals.com>

<http://www.4manuals.cc>

<http://www.manual-lib.com>

<http://www.404manual.com>

<http://www.luxmanual.com>

<http://aubethermostatmanual.com>

Golf course search by state

<http://golfingnear.com>

Email search by domain

<http://emailbydomain.com>

Auto manuals search

<http://auto.somanuals.com>

TV manuals search

<http://tv.somanuals.com>