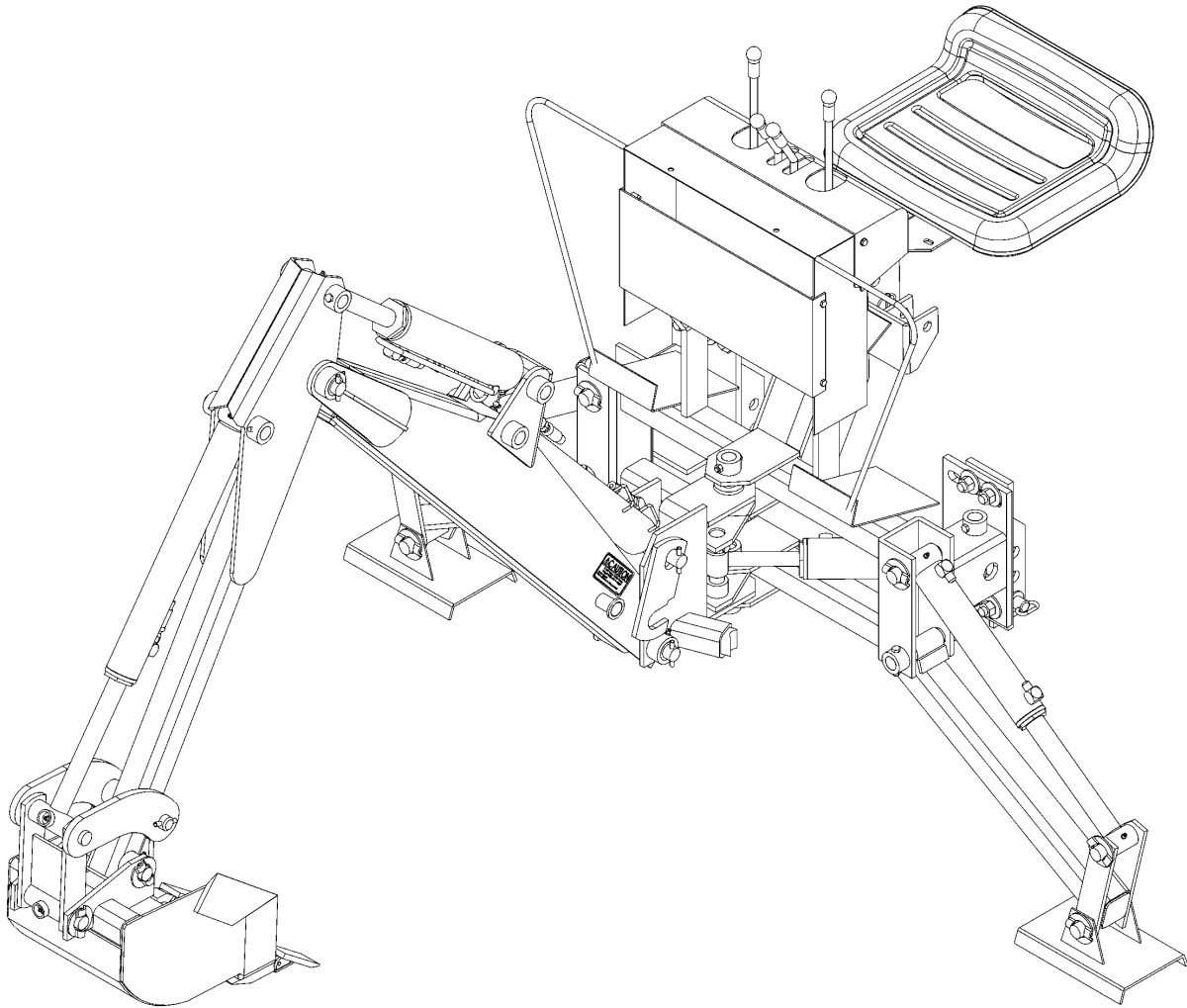


# Backhoes

---

## BH1560 & BH1575



19364

### **340-036P** **Parts Manual**



Read the Operator's manual entirely. When you see this symbol, the subsequent instructions and warnings are serious - follow without exception. Your life and the lives of others depend on it!

© Copyright 2008 Printed 05/02/08

Cover photo may show optional equipment not supplied with standard unit.





# Table of Contents

---

**Section 1: Introduction.....4**  
 Using This Manual.....4  
 Manual Replacement Information.....4  
 Manual Revisions.....4  
 Touch-up Paint.....4  
 Hardware Legend.....5  
 Replacement Hardware.....5  
 Serial Numbers.....5  
 Part Number Service Coding.....5

## **BH15 SERIES**

**Section 2: Frame.....6**  
 Boom & Swing (BH1560 Shown).....6  
 Bucket & Dipper Stick (BH1560 Shown).....8  
 Frame & Stabilizer Arms (BH1560 Shown).....10  
**Section 3: Stabilizer.....12**  
 Stabilizer Assembly.....12  
**Section 4: Hydraulics.....14**  
 Hydraulic Control Assembly (BH1560 Shown).....14  
 Hydraulic Cylinder Boom (839-682C) Shown &  
 (839-504C).....16  
 Hydraulic Cylinder Bucket (839-684C) Shown &  
 (839-505C).....18  
 Hydraulic Cylinder Dipper Stick (839-683C) Shown &  
 (839-506C).....20  
 Hydraulic Cylinder Stabilizers (839-709C) Shown &  
 (839-503C).....22  
 Hydraulic Cylinder Swing (839-681C) Shown & (839-507C)  
 (839-508C).....24  
 Hydraulics Boom & Swing.....26  
 Hydraulics Boom & Swing (BH1560).....28  
 Hydraulics Bucket & Pressure Hose (BH1560 Shown).....30  
 Hydraulics Dipper Stick & Stabilizers (BH1560 Shown).....32  
**Section 6: Label Placement.....34**  
 Label Placement.....34

**Part Number Index.....36**

© Copyright 2008. All rights reserved.

Land Pride provides this publication “as is” without warranty of any kind, either expressed or implied. While every precaution has been taken in the preparation of this manual, Land Pride assumes no responsibility for errors or omissions. Neither is any liability assumed for damages resulting from the use of the information contained herein. Land Pride reserves the right to revise and improve its products as it sees fit. This publication describes the state of this product at the time of its publication, and may not reflect the product in the future. The illustrations in this manual are not intended for safe and proper assembly or disassembly of equipment. The illustrations are intended for ordering parts only.

Land Pride is registered trademark.

All other brands and product names are trademarks or registered trademarks of their respective holders.

*Printed in the United States of America.*



# Alphabetized Table of Contents

---

## BH15 SERIES

### B

Boom & Swing (BH1560 Shown).....	6
Bucket & Dipper Stick (BH1560 Shown).....	8

### F

Frame & Stabilizer Arms (BH1560 Shown).....	10
---	----

### H

Hydraulic Control Assembly (BH1560 Shown).....	14
Hydraulic Cylinder Boom (839-682C) Shown & (839-504C).....	16
Hydraulic Cylinder Bucket (839-684C) Shown & (839-505C).....	18
Hydraulic Cylinder Dipper Stick (839-683C) Shown & (839-506C).....	20
Hydraulic Cylinder Stabilizers (839-709C) Shown & (839-503C).....	22
Hydraulic Cylinder Swing (839-681C) Shown & (839-507C) (839-508C).....	24
Hydraulics Boom & Swing.....	26
Hydraulics Boom & Swing (BH1560).....	28
Hydraulics Bucket & Pressure Hose (BH1560 Shown).....	30
Hydraulics Dipper Stick & Stabilizers (BH1560 Shown).....	32

### L

Label Placement.....	34
----------------------	----

### S

Stabilizer Assembly.....	12
--------------------------	----

# General Information

## Using This Manual

This manual is divided into sections. The first section contains General Information. The remaining sections divide the machine into segments (i.e. Frames, Drives, Hydraulics, etc.) which illustrate and list all parts. A Parts Number Index is located at the back of the book.

The Land Pride parts in this manual are specially designed for this machine and should be replaced with Land Pride parts only.

The information in this manual is current at time of printing. Some parts may change to assure top performance.

Right-hand and left-hand as used in this manual are determined by facing the direction the machine will travel while in use.

Below is an example of two facing pages from a parts manual. Familiarize yourself with the type of information contained on these pages.

## Manual Replacement Information

Replacement manuals are available. Refer to our website at [www.landpride.com](http://www.landpride.com), the Land Pride Support Center CD or e-mail us at [lit@landpride.com](mailto:lit@landpride.com) for additional information. Our website continues to provide the most up-to-date manuals available.

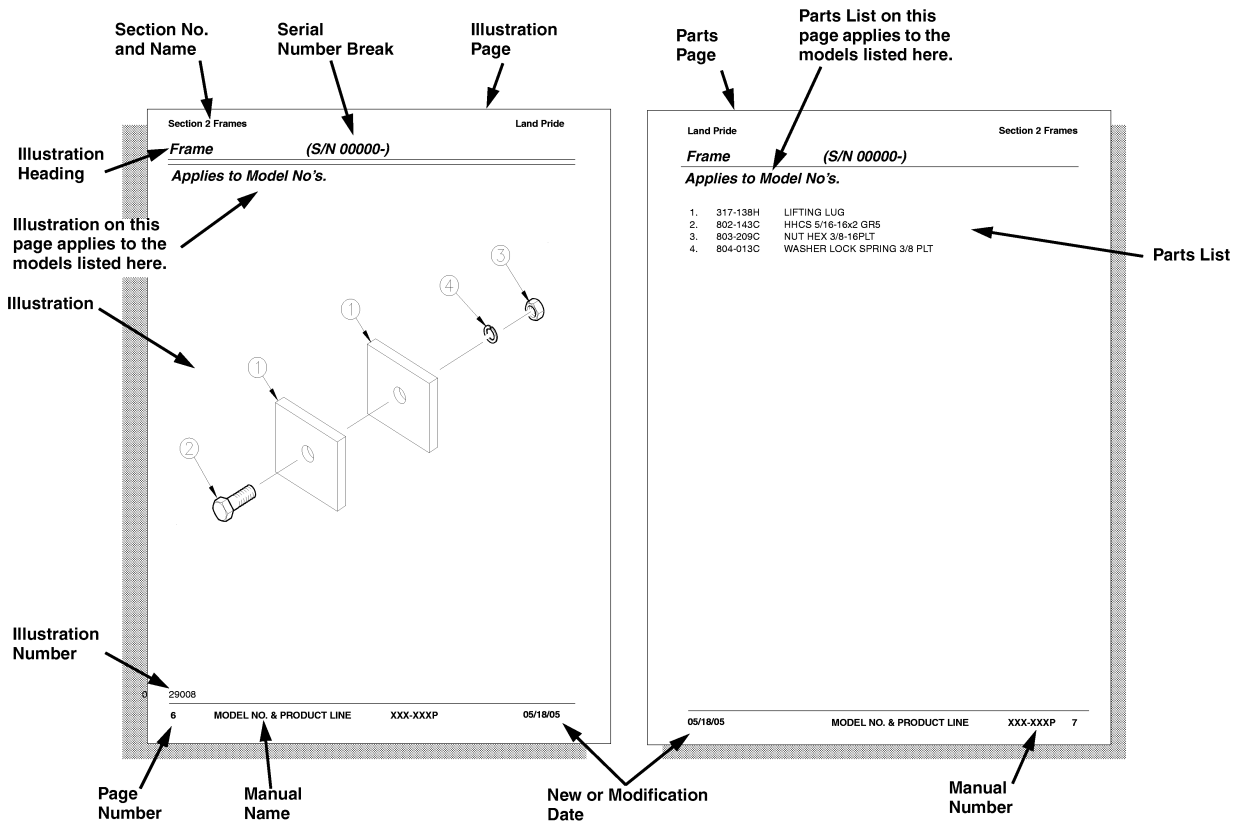
## Touch-up Paint

Repaint parts where paint is worn or scratched to prevent rust. Aerosol cans and touch-up bottles with brush applicator are available through your local dealer. Land Pride color descriptions and part numbers are listed below. Also available are quart and gallon size paints. Add QT or GL to end of the Aerosol P/N.

Color	Product <sup>1</sup>	Aerosol	Touch-Up
Gloss Black	LP	821-032C	821-032CTU
Medium Gloss Black	UV	821-053C	821-053CTU
Beige	LP	821-011C	821-011CTU
Green	SLP	821-058C	821-058CTU
Orange	SLP	821-066C	821-066CTU
Red	SLP/UV	821-054C	821-054CTU
Blue	SLP/UV	821-067C	821-067CTU
Dark Green Sparkle	UV	821-055C	821-055CTU
Gondo Forest Green	UV	821-057C	821-057CTU
Brite Yellow <sup>2</sup>	UV	821-056C	821-056CTU
Gondo Yellow <sup>3</sup>	UV	821-059C	821-059CTU

Notes:

- 1 LP = All Land Pride Products except Utility Vehicles  
SLP = Select Land Pride Products that are available in optional Green, Orange, Red, & Blue colors.  
UV = Utility Vehicles
- 2 Used on Trekers and (Runabouts with S/N 407628-)
- 3 Used on Gondos and (Runabouts with S/N 407629+)



## General Information

### Hardware Legend

AR	As Required
BLADE	Blade Bolt
C	Cap Screw
CP	Cotter Pin
CPHSSS	Cup Point Hex Socket Set Screw
CPSHSS	Cup Point Square Head Set Screw
CPSQHSS	Cup Point Square Head Set Screw
CRFCHMS3	Cross Recess Flat Countersunk Head Machine Screw
CRPHMS	Cross Recess Pan Head Machine Screw
CRPHTF	Cross Recess Pan Head Thread Forming
CRRHMS	Cross Recess Round Head Machine Screw
CRTHMS	Cross Recess Truss Head Machine Screw
CSNB	Countersunk Square Neck Bolt
FHMS	Flat Head Machine Screw
FTC	Full Thread Cap Screw
H	Hex Nut
HCLN	Hex Center Lock Nut
HFLCS	Hex Flange Lock Cap Screw
HFS	Hex Flange Screw
HFSLN	Hex Flange Serrated Lock Nut
HFSS	Hex Flange Serrated Screw
HHCS	Hex Head Cap Screw or Metric Bolt
HSBHCS	Hex Socket Button Head Cap Screw
HSFCHCS	Hex Socket Flat Countersunk Head Cap Screw
HSHCS	Hex Socket Head Cap Screw
HSSS	Hex Socket Head Screw
HTLN	Hex Top Lock Nut
HWHCS	Hex Washer Head Cap Screw

HWHMS	Hex Washer Head Machine Screw
HXBHCS	Hex Socket Button Head Cap Screw
J	Hex Jam Nut
JIC	37 Degree Tapered Thread
L	Helical Spring Lock Washer
LUG	Lug Bolt
NFC	National Fine Cap Screw
NPSM	National Pipe Straight Mechanical
NPTF	National Pipe Taper Fuel
P	Wide Plain Washer
PHMS	Pan Head Machine Screw
PLOW	Plow Bolt
RHMS	Round Head Machine Screw
RHSNB	Round Head Square Neck Bolt
SCREW LEVELING	Leveling Screw
SCREW THUMB	Thumb Screw
SCREW WELD	Weld Screw
SFCHMS	Slotted Flat Countersunk Head Machine Screw
SFHMS	Slotted Fillister Head Machine Screw
SP	Special
SP SCREW	Special Screw
SQHSS	Square Head Set Screw
SRHMS	Slotted Round Head Machine Screw
SSS	Socket Set Screw
STCS	Self Tapping Cap Screw
STHMS	Slotted Truss Head Machine Screw
WHEEL	Wheel Studs and Hub Long Bolts
WING	Wing Bolt

### Replacement Hardware

The **Hardware Legend** above lists hardware abbreviations used in the parts list. All bolts and nuts are Grade 5 unless otherwise noted. The use of improper grades of hardware can result in personal injury, damage to equipment, or loss of property.

### Colored Replacement Parts

Land Pride offers replacement parts in factory standard colors and also on select models in Green, Orange, Red and Blue. Because of the variety of colors available, special attention must be given to the part number to prevent ordering the wrong replacement part.

A suffix number corresponding to one of the colors below must be added at the end of Land Pride's part number when ordering a replacement part with that color.

**81 . . . . . Green      83 . . . . . Red**  
**82 . . . . . Orange    84 . . . . . Blue**

For example, if you are ordering a replacement part with part number 555-555C and the part you need is red, then add the suffix 83 to the end of the number to make the part number read 555-555C83. Parts ordered without a suffix number will be supplied in factory standard colors.

### Black Replacement Parts

Some parts are factory standard black and some must be special ordered black. If your part is special ordered black, a second part number with the additional suffix number 85 on the end will be available. In this situation you must order that part with the suffix number for it to be black. Parts that are factory standard black will not have the suffix number.

### Part Number Service Coding

Within the parts list some part numbers are coded for revisions and interchangeability. See notations in revision column.

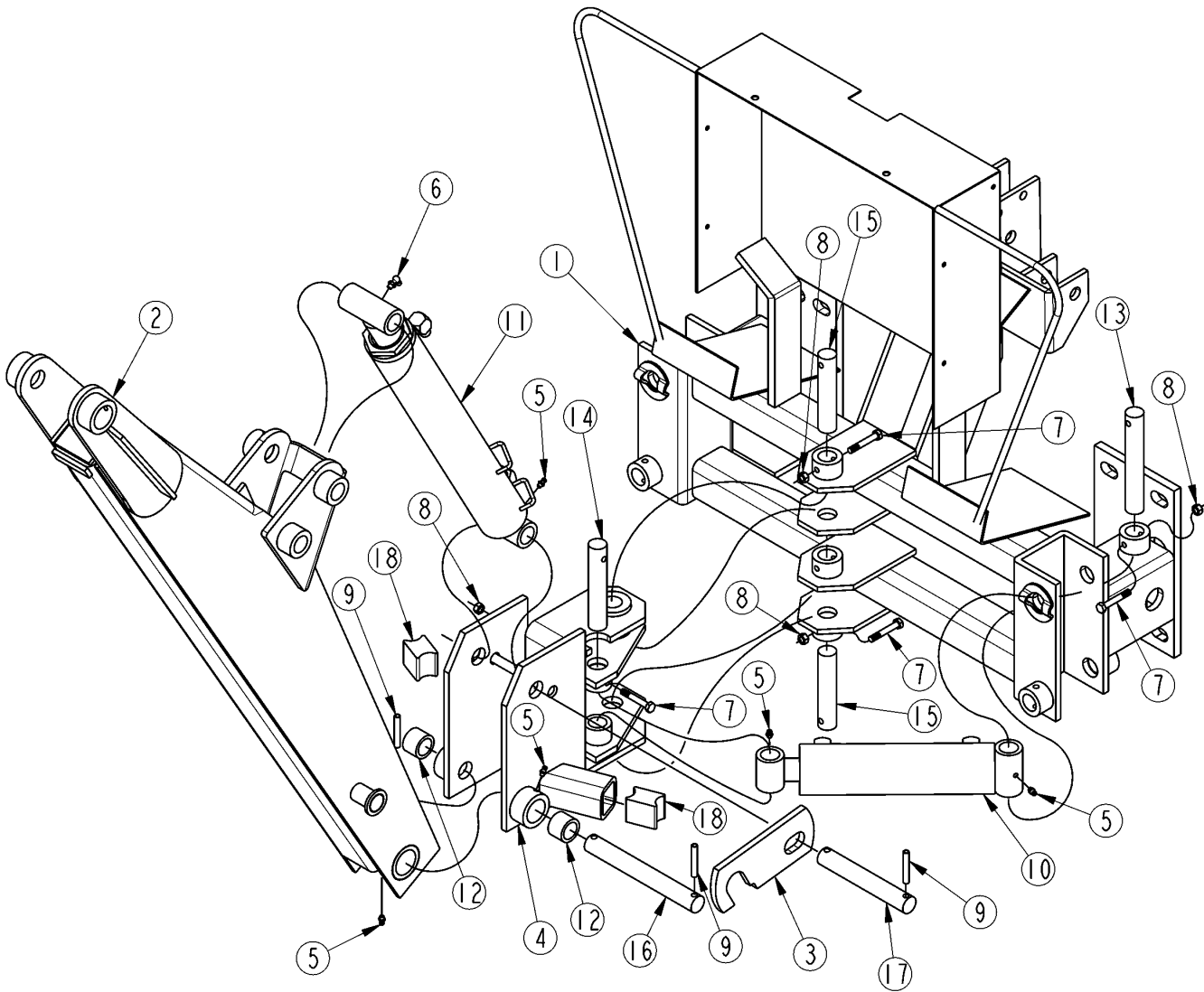
### Serial Numbers

Always use the serial and model number when ordering parts. Refer to the Operator's Manual for serial number plate location.

- |                      |  |
|----------------------|--|
| (S/N 20001+)         | Includes serial numbers 20001 and above (to the latest number)   |
| (S/N 10001 to 20000) | Includes serial numbers between and including 10001 and 20000    |
| (S/N 10000-)         | Includes serial numbers 10000 and below (to the earliest number) |

**Boom & Swing (BH1560 Shown)**

Applies to BH1560, BH1575



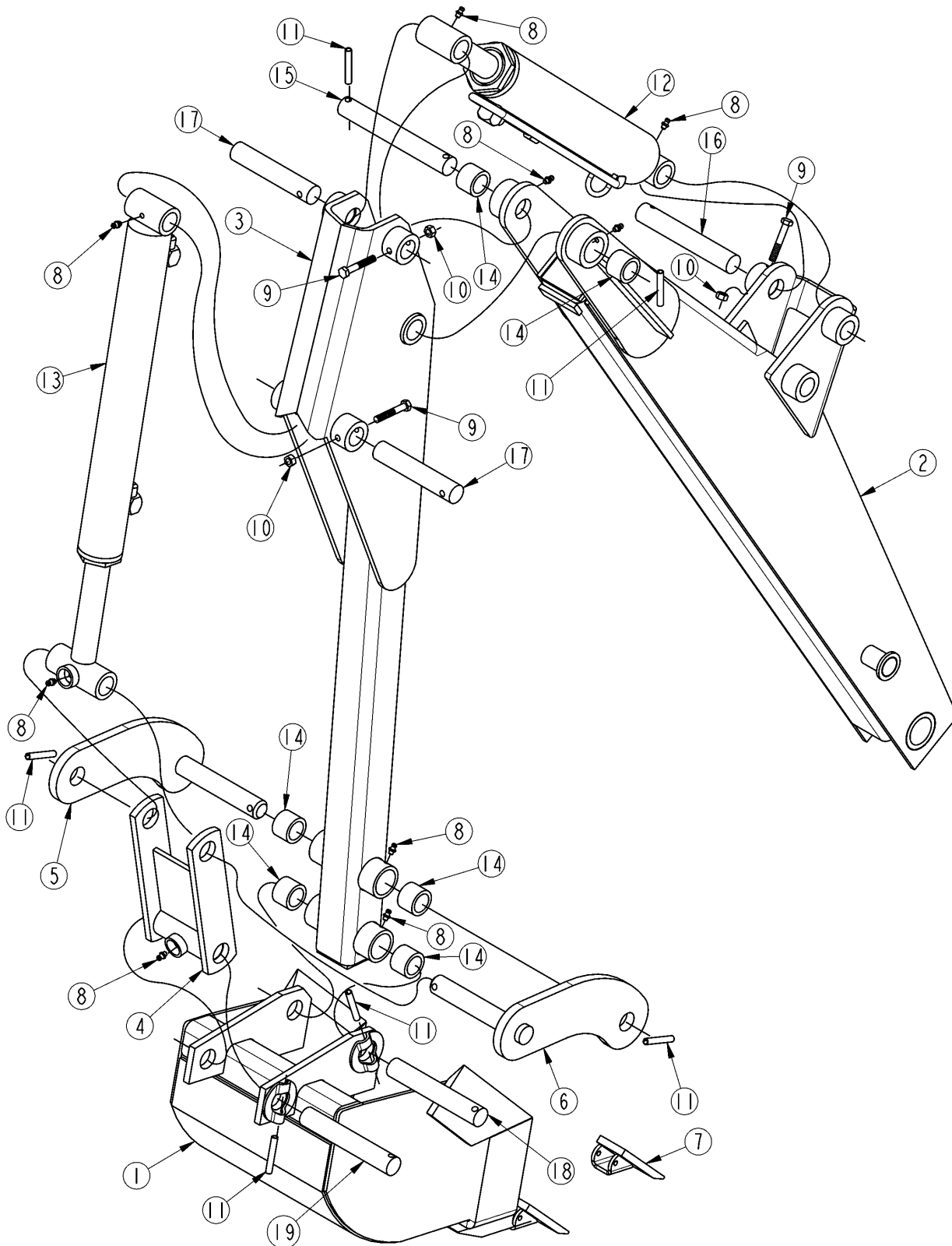
20535

**Boom & Swing (BH1560 Shown)****Applies to BH1560, BH1575**

Ref	Part No.	Part Description	Comments	Revision
	dwg20535	Drawing Image Number		
1.	340-011H	FRAME WELDMENT BH1560		
1.	340-024H	FRAME WELDMENT BH1575		
2.	340-012H	BOOM WELDMENT BH1560		
2.	340-025H	BOOM WELDMENT BH1575		
3.	340-014D	BOOM SAFETY LOCK BAR BH15600-0		
3.	340-008D	BOOM LOCK BH1575		
4.	340-014H	SWING WELDMENT BH1560		
4.	340-027H	SWING WELDMENT BH1575		
5.	800-001C	GREASE ZERK STRAIGHT 1/4-28		
6.	800-073C	GREASE ZERK 1/4-28 X 90-DEG		
7.	802-115C	HHCS 5/16-18X2 GR5		
8.	803-011C	NUT LOCK 5/16-18 PLT		
9.	805-053C	PIN ROLL 5/16 X 2 LG.PLT		
10.	839-681C	CYL SWING BH1560		
10.	839-507C	CYL.,SWING LH BH1575		
10.	839-508C	CYL.,SWING RH BH1575		
11.	839-682C	CYL BOOM BH1560		
11.	839-504C	CYL.,BOOM BH1575		
12.	839-686C	BUSHING STEEL 1"IDX1 BH1560		
12.	839-500C	BUSHING,1 1/4 X 1 BH		
13.	839-688C	PIN 1"X 6 3/8 BH1560		
13.	839-510C	PIN, 1X7 SWG CYL BASE BH1575		
14.	839-689C	PIN 1"X 5 3/8 BH1560		
14.	839-511C	PIN, 1X6 3/8 SWG CYL ROD 1575		
15.	839-690C	PIN 1"X 4 7/8 BH1560		
15.	839-512C	PIN.1 1/4X5 1/4SWG PIVOT 1575		
16.	839-691C	PIN 1"X 8 1/8 BH1560		
16.	839-513C	PIN,1 1/4X8 1/8 BOOM PIVT 1575		
17.	839-692C	PIN 1"X 6 1/2 BH1560		
17.	839-514C	PIN,1X7 1/8 BOOM CYL ROD 1575		
18.	839-697C	RUBBER SWING BUMPER BH1560		

**Bucket & Dipper Stick (BH1560 Shown)**

Applies to BH1560, BH1575



20538

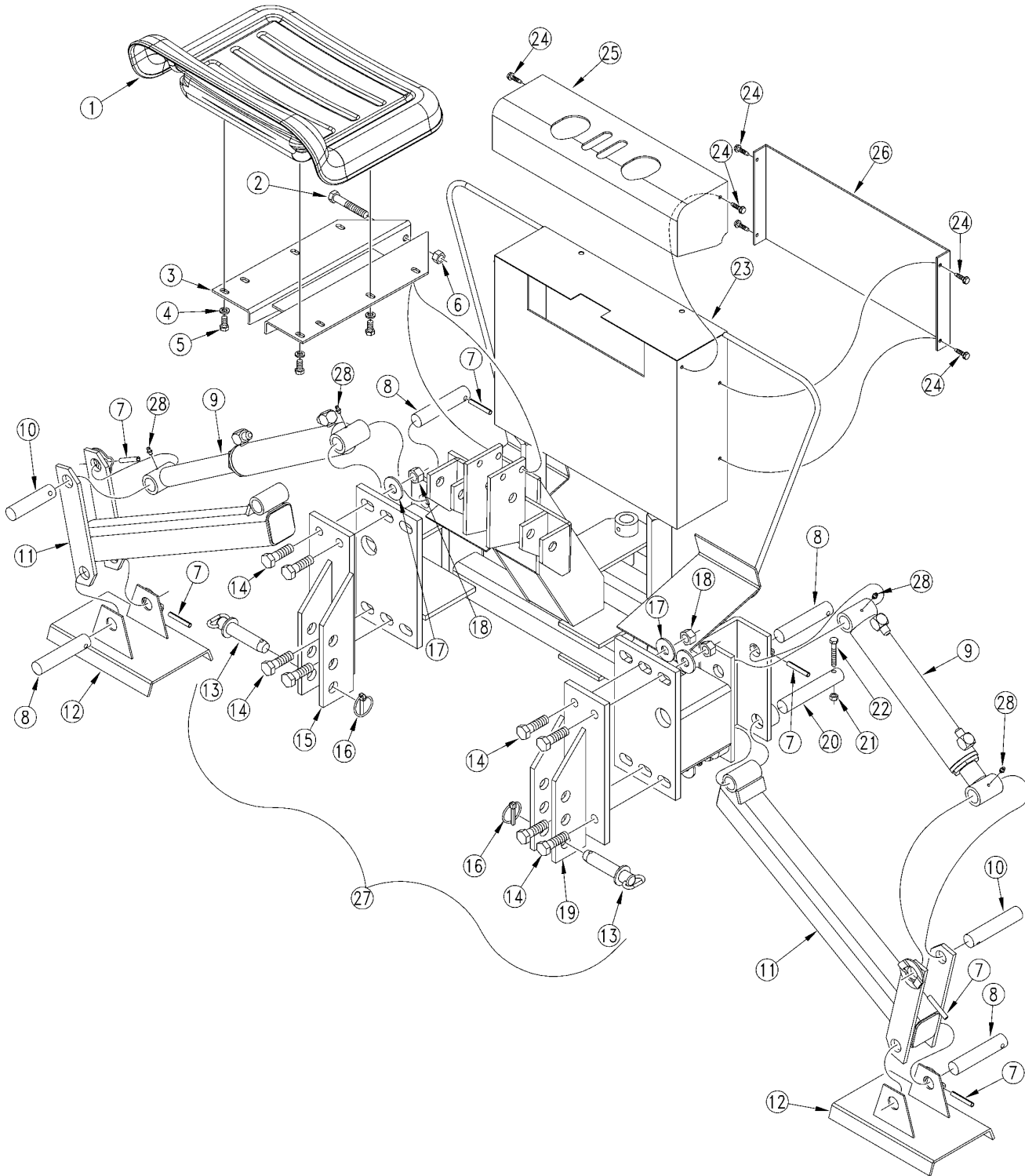


**Bucket & Dipper Stick (BH1560 Shown)****Applies to BH1560, BH1575**

Ref	Part No.	Part Description	Comments	Revision
	dwg20538	Drawing Image Number		
1.	340-005A	BUCKET 9" WELDED TOOTH BH1560		
1.	340-006A	BUCKET 9" REPL TOOTH BH1560		
1.	340-007A	BUCKET 12" WELDED TOOTH BH1560		
1.	340-008A	BUCKET 12" REPL TOOTH BH1560		
1.	340-009A	BUCKET 15" WELDED TOOTH BH1560		
1.	340-010A	BUCKET 15" REPL TOOTH BH1560		
1.	340-045A	BUCKET 9" REPL. TOOTH BH1575		
1.	340-047A	BUCKET 12" REPL. TOOTH BH1575		
1.	340-049A	BUCKET 15" REPL. TOOTH BH1575		
1.	340-051A	BUCKET 18" REPL. TOOTH BH1575		
2.	340-012H	BOOM WELDMENT BH1560		
2.	340-025H	BOOM WELDMENT BH1575		
3.	340-013H	STICK WELDMENT BH1560		
3.	340-026H	STICK WELDMENT BH1575		
4.	340-015H	BUCKET LINK WLDMT REAR BH1560		
4.	340-028H	BUCKET LINK REAR BH1575		
5.	340-016H	BUCKET LINK WLDMT TOPRH BH1560		
5.	340-029H	BUCKET LINK TOP BH1575		
6.	340-017H	BUCKET LINK WLDMT TOPLH BH1560		
6.	340-029H	BUCKET LINK TOP BH1575		
7.	839-747C	REPLACEABLE POINT TOOTH		
8.	800-001C	GREASE ZERK STRAIGHT 1/4-28		
9.	802-115C	HHCS 5/16-18X2 GR5		
10.	803-011C	NUT LOCK 5/16-18 PLT		
11.	805-053C	PIN ROLL 5/16 X 2 LG.PLT		
12.	839-683C	CYL DIPPER BH1560		
12.	839-506C	CYL.,DIPPER BH1575		
13.	839-684C	CYL BUCKET BH1560		
13.	839-505C	CYL.,BUCKET BH1575		
14.	839-686C	BUSHING STEEL 1"IDX1 BH1560		
14.	839-500C	BUSHING,1 1/4 X 1 BH		
15.	839-693C	PIN 1"X 7 3/8 BH1560		
15.	839-515C	PIN.1 1/4X7 3/8 DIP PIVOT 1575		
16.	839-694C	PIN 1"X 6 3/8 BH1560		
16.	839-510C	PIN, 1X7 SWG CYL BASE BH1575		
17.	839-695C	PIN 1"X 5 3/8 BH1560		
17.	839-510C	PIN, 1X7 SWG CYL BASE BH1575		
18.	839-696C	PIN 1"X 6 1/8 BH1560		
18.	839-516C	PIN,1X8 1/8 BUCKET LINK 1575		
19.	839-696C	PIN 1"X 6 1/8 BH1560		
19.	839-517C	PIN,1 1/4X8 1/8 BUCK PIVT 1575		

**Frame & Stabilizer Arms (BH1560 Shown)**

Applies to BH1560, BH1575



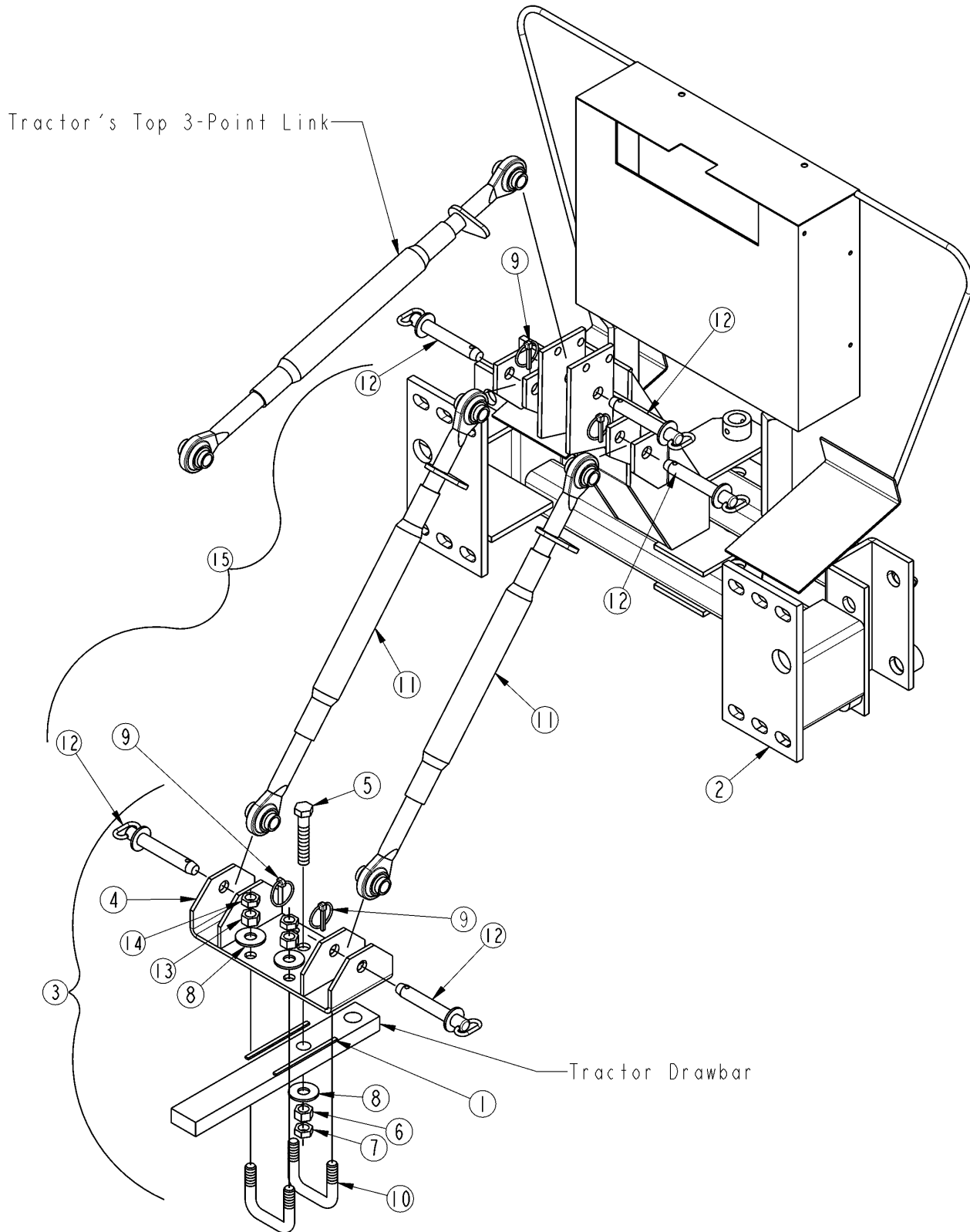
19383

**Frame & Stabilizer Arms (BH1560 Shown)****Applies to BH1560, BH1575**

Ref	Part No.	Part Description	Comments	Revision
	dwg19383	Drawing Image Number		
1.	839-502C	SEAT BH1575		
2.	802-039C	HHCS 1/2-13X3 GR5		
3.	340-039H	SEAT BASE WELD BH1575		
4.	802-014C	HHCS 3/8-16X3/4 GR5		
5.	804-013C	WASHER LOCK SPRING 3/8 PLT		
6.	803-019C	NUT LOCK 1/2-13 PLT		
7.	805-053C	PIN ROLL 5/16 X 2 LG.PLT		
8.	839-699C	PIN 1"X 4 7/8 BH1560		
8.	839-510C	PIN, 1X7 SWG CYL BASE BH1575		
9.	839-709C	CYL STABILIZER BH1560		
9.	839-503C	CYL.,STABILIZER BH1575		
10.	839-698C	PIN 1"X 4 BH1560		
10.	839-518C	PIN,3/4X4 1/2 STAB CYL ROD1575		
11.	340-068H	STABILIZER WELDMENT BH1560		
11.	340-037H	STABILIZER ARM WELD BH1575		
12.	340-069H	STABILIZER PAD WELDMT BH1560		
12.	340-038H	STABILIZER PAD WELD BH1575		
13.	839-659C	PIN LOWER HITCH 7/8X3 1/2 1560		
14.	802-055C	HHCS 5/8-11X2 GR5		
15.	340-065H	LOWER BRKT LH BH1560		
16.	839-526C	1/4" LYNCH PIN BH STABILIZER		
17.	804-019C	WASHER FLAT 5/8 USS PLT		
18.	803-024C	NUT LOCK 5/8-11 PLT		
19.	340-064H	LOWER BRKT RH BH1560		
20.	839-700C	PIN 1"X 5 5/8 BH1560		
20.	839-510C	PIN, 1X7 SWG CYL BASE BH1575		
21.	803-011C	NUT LOCK 5/16-18 PLT		
22.	802-115C	HHCS 5/16-18X2 GR5		
23.	340-011H	FRAME WELDMENT BH1560		
23.	340-024H	FRAME WELDMENT BH1575		
24.	839-634C	SELF TAPPING SCREW BH		
25.	839-818C	PLASTIC CONTROL COVER BH1560		
25.	839-938C	PLASTIC CONTROL COVER BH1575		
26.	839-685C	COVER BH1560		
26.	839-522C	VALVE COVER BH1575		
27.	340-063K	LOWER HITCH BRKT KIT BH1560	Includes items 13 through 20	
28.	800-001C	GREASE ZERK STRAIGHT 1/4-28		

# Stabilizer Assembly

Applies to BH1560, BH1575



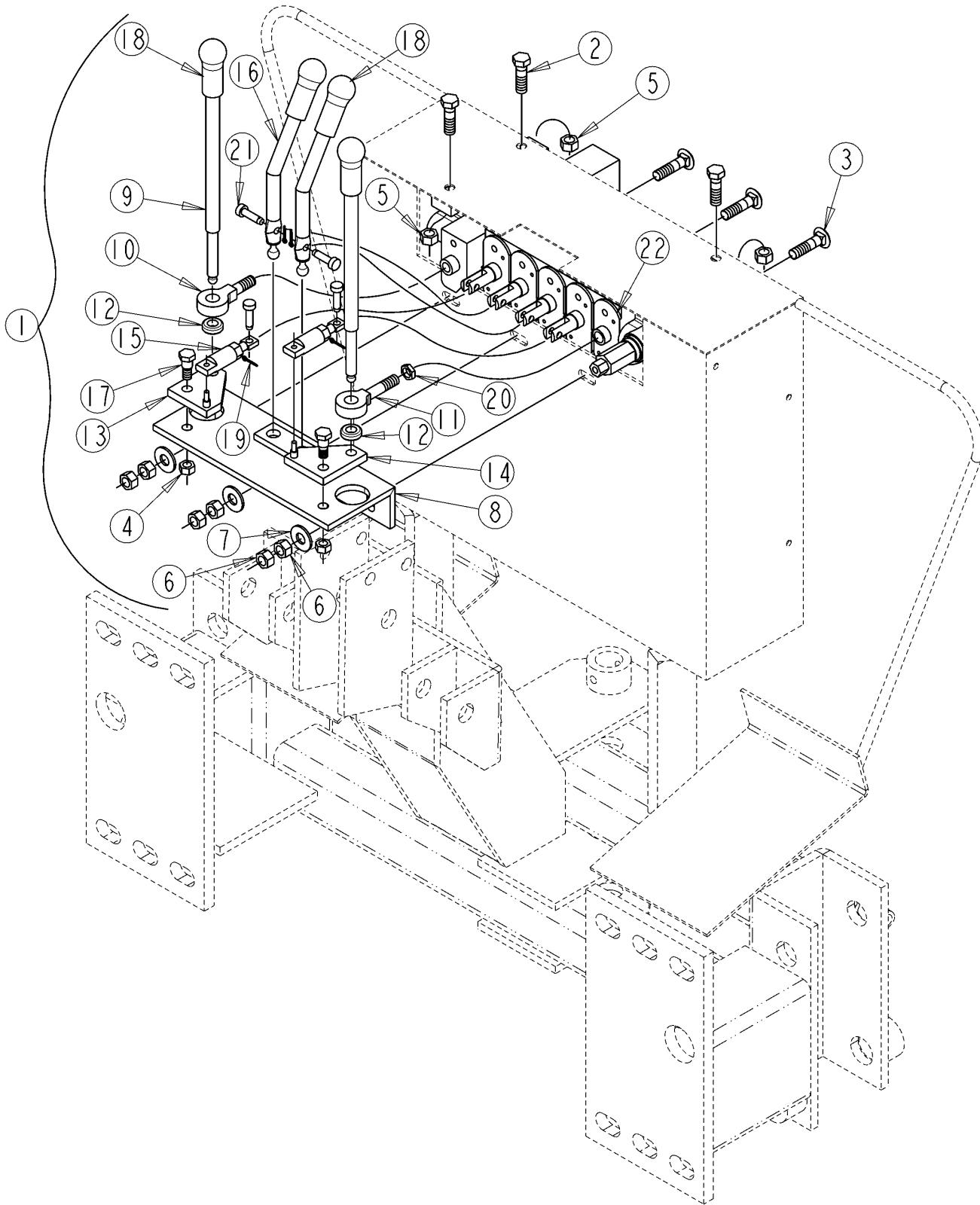
20533

**Stabilizer Assembly****Applies to BH1560, BH1575**

Ref	Part No.	Part Description	Comments	Revision
	dwg20533	Drawing Image Number		
1.	340-009D	STABILIZER SPACER BAR BH1575		
2.	340-011H	FRAME WELDMENT BH1560		
3.	340-052K	DRAWBAR BRACKET KIT BH1575	Includes items 1, 4 through 10, 13 & 14	
4.	340-055H	DRAWBAR BRACKET WELDMT BH1575		
5.	802-162C	HHCS 5/8-11X3 1/2 GR5		
5.	802-066C	HHCS 3/4-10X3 1/2 GR5		
6.	803-021C	NUT HEX 5/8-11 PLT		
6.	803-027C	NUT HEX 3/4-10 PLT		
7.	803-023C	NUT HEX JAM 5/8-11 PLT		
7.	803-048C	NUT HEX JAM 3/4-10 PLT		
8.	804-019C	WASHER FLAT 5/8 USS PLT		
9.	839-526C	1/4" LYNCH PIN BH STABILIZER		
10.	839-527C	U-BOLT 5/8X2 1/2X2 3/4 BH		
11.	839-528C	ADJ.STABILIZER LINK CAT1 BH		
12.	839-529C	PIN,3/4X4 1/2 W/LOOP BH		
13.	803-021C	NUT HEX 5/8-11 PLT		
14.	803-023C	NUT HEX JAM 5/8-11 PLT		
15.	340-053K	3 PT STABILIZER KIT BH1575	Includes items 9, 11 & 12	

### Hydraulic Control Assembly (BH1560 Shown)

Applies to BH1560, BH1575



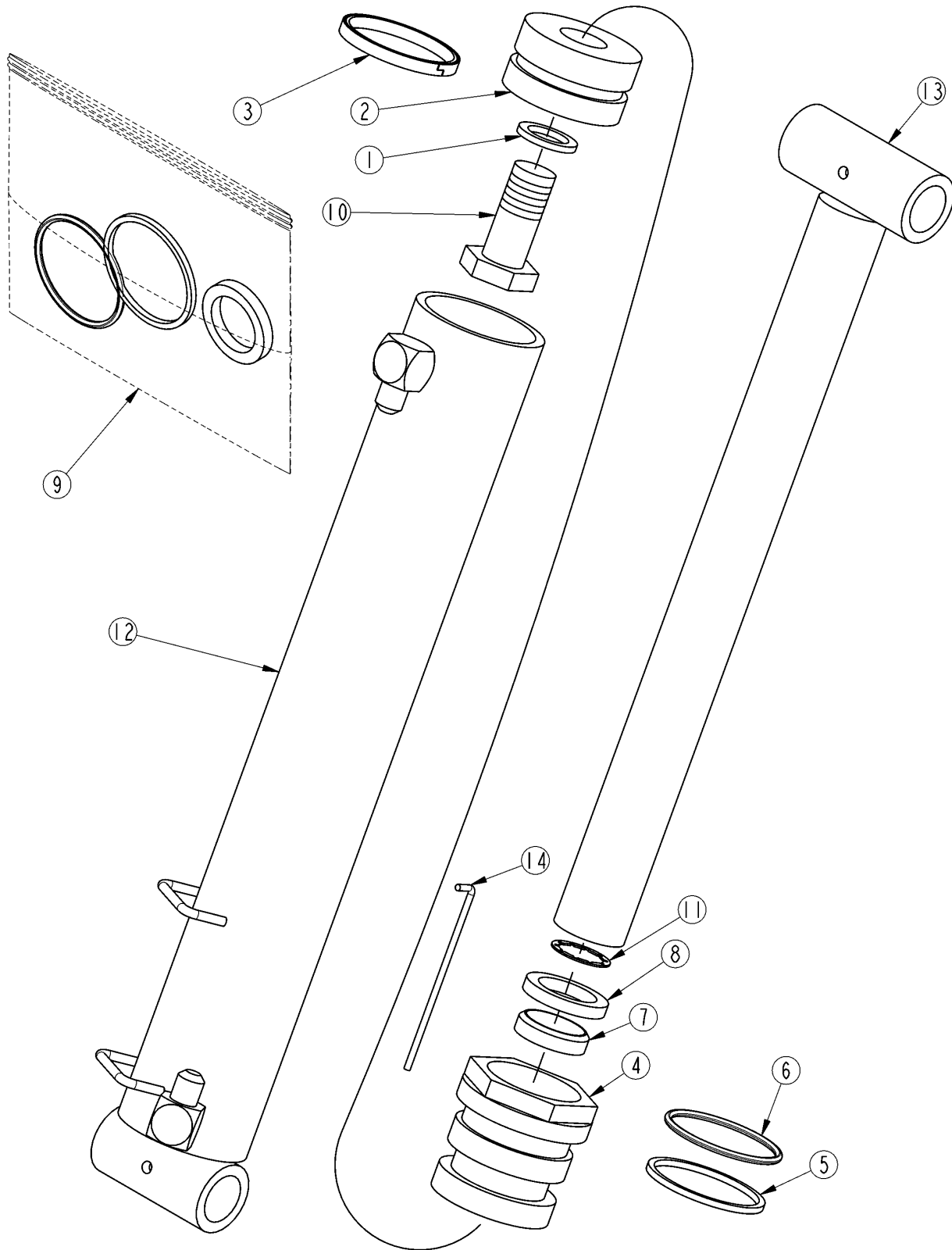
20534

**Hydraulic Control Assembly (BH1560 Shown)****Applies to BH1560, BH1575**

<b>Ref</b>	<b>Part No.</b>	<b>Part Description</b>	<b>Comments</b>	<b>Revision</b>
	dwg20534	Drawing Image Number		
1.	340-057K	VALVE CONTROL KIT BH1560,75		
2.	802-079C	HHCS 3/8-16X1 1/4 GR5		
3.	802-453C	RHSNB 3/8-16X1 1/2 GR5		
4.	803-008C	NUT HEX 5/16-18 PLT		
5.	803-013C	NUT LOCK 3/8-16 PLT		
6.	803-014C	NUT HEX 3/8-16 PLT		
7.	804-011C	WASHER FLAT 3/8 USS PLT		
8.	839-530C	MAIN CONTROL BASE BH		
9.	839-531C	MAIN CONTROL LEVER BH		
10.	839-532C	SHORT SPHERICAL LINK BH		
11.	839-533C	LONG SPHERICAL LINK BH		
12.	839-534C	MAIN CONTROL LOCK COLLAR BH		
13.	839-535C	LH CONTROL TRUNION BH		
14.	839-536C	RH CONTROL TRUNION BH		
15.	839-537C	CONTROL LINKS,2 3/8" BH		
16.	839-538C	STABILIZER CONTROL LEVER BH		
17.	839-539C	SHOULDER BOLT 5/16X7/8 BH		
18.	839-540C	PLASTIC KNOB BH YELLOW		
18.	839-966C	PLASTIC KNOB BH BLACK		
19.	839-542C	COTTER 1/16 X 3/4 BH		
20.	839-543C	3/8 NF JAM NUT BH		
21.	839-544C	CLEVIS PIN 1/4 X 3/4 BH		
22.	839-509C	VALVE,BH1560 BH1575		

**Hydraulic Cylinder Boom (839-682C) Shown & (839-504C)**

Applies to BH1560, BH1575



20541

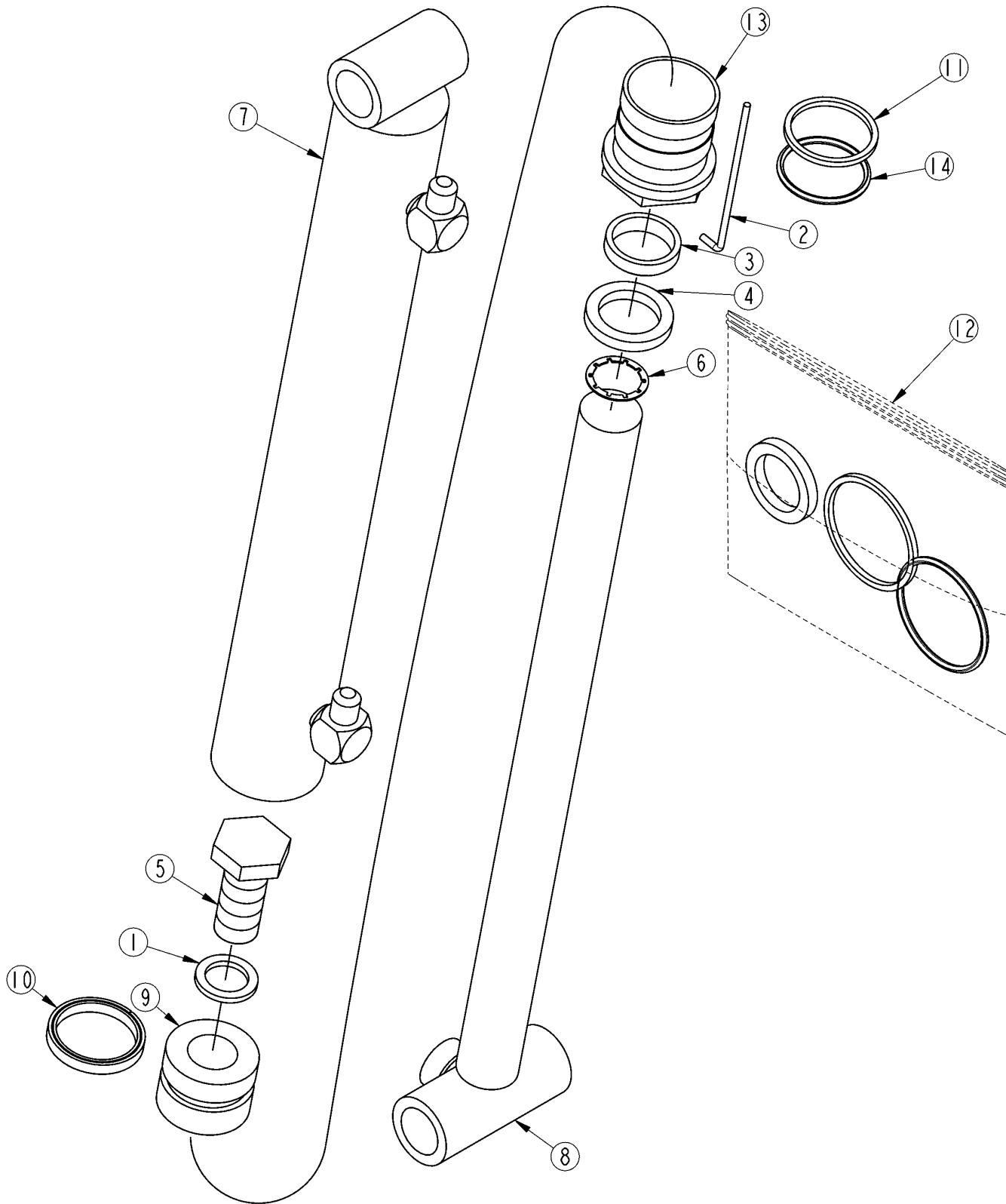


**Hydraulic Cylinder Boom (839-682C) Shown & (839-504C)****Applies to BH1560, BH1575**

Ref	Part No.	Part Description	Comments	Revision
	dwg20541	Drawing Image Number		
	839-682C	CYL BOOM BH1560		
	839-504C	CYL.,BOOM BH1575		
1.		DYNA-SEAL 7/8" BH	Found only in seal kit item #9	
2.	839-639C	PISTON, 2 1/2" BH		
3.		PISTON SEAL 2 1/2" BH	Found only in seal kit item #9	
4.	839-641C	CYL HEAD 2 1/2" BH		
5.		BACK UP RING 2 1/2" BH	Found only in seal kit item #9	
6.		O-RING 2 1/2" BH	Found only in seal kit item #9	
7.		ROD SEAL 2 1/2" BH	Found only in seal kit item #9	
8.		ROD WIPER 2 1/2" BH	Found only in seal kit item #9	
9.	839-647C	SEAL KIT 2 1/2" BORE		
10.	839-650C	BOLT 7/8 NF X 2 GR5 BH		
11.	839-651C	WASHER 7/8 INTERNAL STAR BH		
12.	839-660C	CYL BOOM 14" BARREL BH1560	839-682C	
12.	839-652C	CYL BOOM 20" BARREL BH1575	839-504C	
13.	839-661C	CYL BOOM 14" ROD BH1560	839-682C	
13.	839-653C	CYL BOOM 20" ROD BH1575	839-504C	
14.	839-831C	LOCKWIRE 2 1/2" BH		

**Hydraulic Cylinder Bucket (839-684C) Shown & (839-505C)**

Applies to BH1560, BH1575



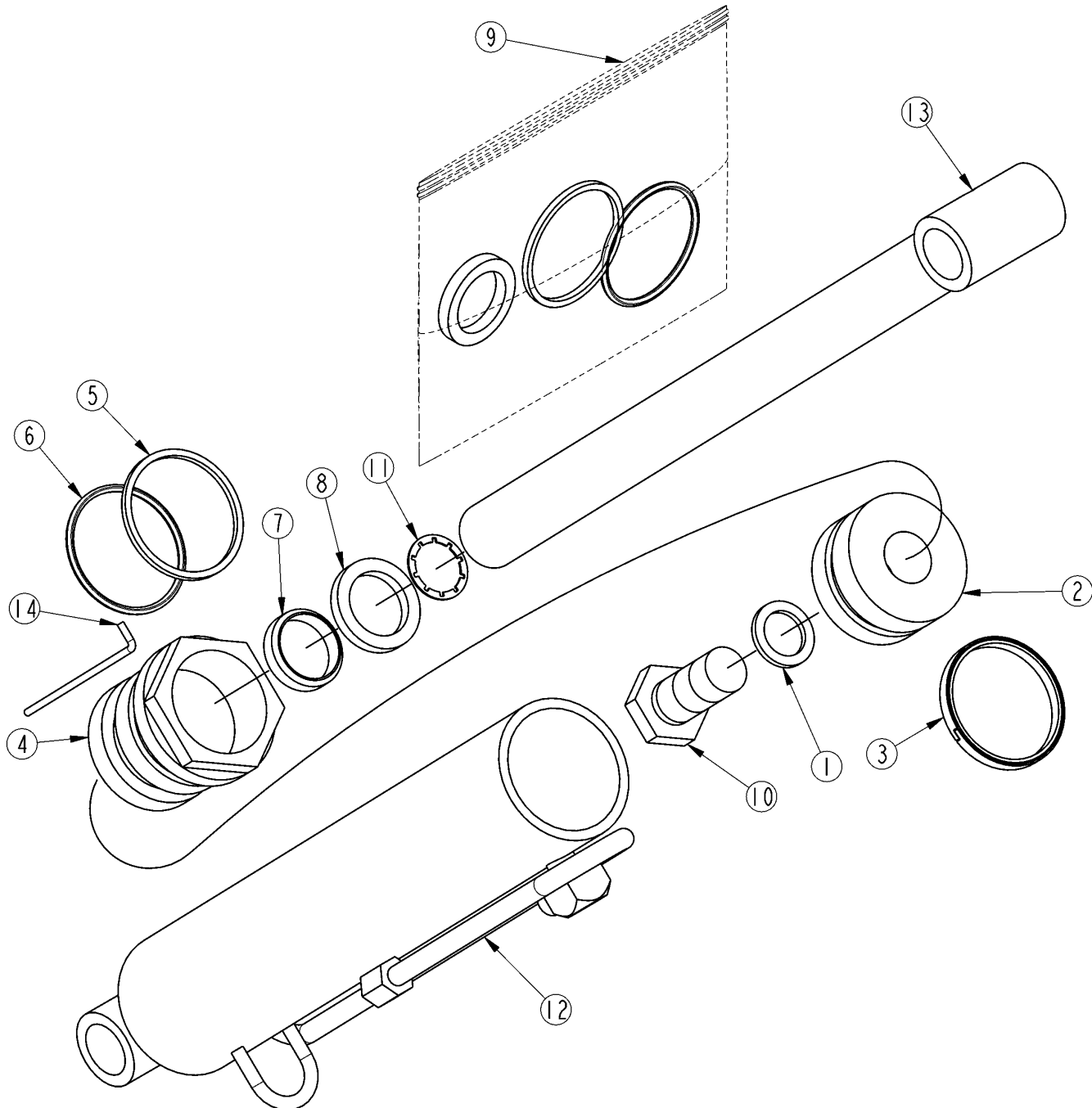
20543

**Hydraulic Cylinder Bucket (839-684C) Shown & (839-505C)****Applies to BH1560, BH1575**

Ref	Part No.	Part Description	Comments	Revision
	dwg20543	Drawing Image Number		
	839-684C	CYL BUCKET BH1560		
	839-505C	CYL.,BUCKET BH1575		
1.		DYNA-SEAL 7/8" BH	Found only in seal kit item #12	
2.	839-644C	LOCKWIRE 2" BH	BH1560 (839-684C)	
2.	839-831C	LOCKWIRE 2 1/2" BH	BH1575 (839-505C)	
3.		ROD SEAL BH	Found only in seal kit item #12	
4.		ROD WIPER BH	Found only in seal kit item #12	
5.	839-650C	BOLT 7/8 NF X 2 GR5 BH		
6.	839-651C	WASHER 7/8 INTERNAL STAR BH		
7.	839-665C	CYL BUCKET 12" BARREL BH1560	839-684C	
7.	839-654C	CYL BUCKET 14" BARREL BH1575	839-505C	
8.	839-666C	CYL BUCKET 12" ROD BH1560	839-684C	
8.	839-655C	CYL BUCKET 14" ROD BH1575	839-505C	
9.	839-667C	PISTON 2" BH	BH1560 (839-684C)	
9.	839-639C	PISTON, 2 1/2" BH	BH1575 (839-505C)	
10.		PISTON SEAL BH	Found only in seal kit item #12	
11.		BACKUP RING BH	Found only in seal kit item #12	
12.	839-670C	SEAL KIT 2" BH1560	BH1560 (839-684C)	
12.	839-647C	SEAL KIT 2 1/2" BORE	BH1575 (839-505C)	
13.	839-714C	CYL HEAD 2" BH	BH1560 (839-684C)	
13.	839-641C	CYL HEAD 2 1/2" BH	BH1575 (839-505C)	
14.		CYL O-RING BH	Found only in seal kit item #12	

**Hydraulic Cylinder Dipper Stick (839-683C) Shown & (839-506C)**

Applies to BH1560, BH1575



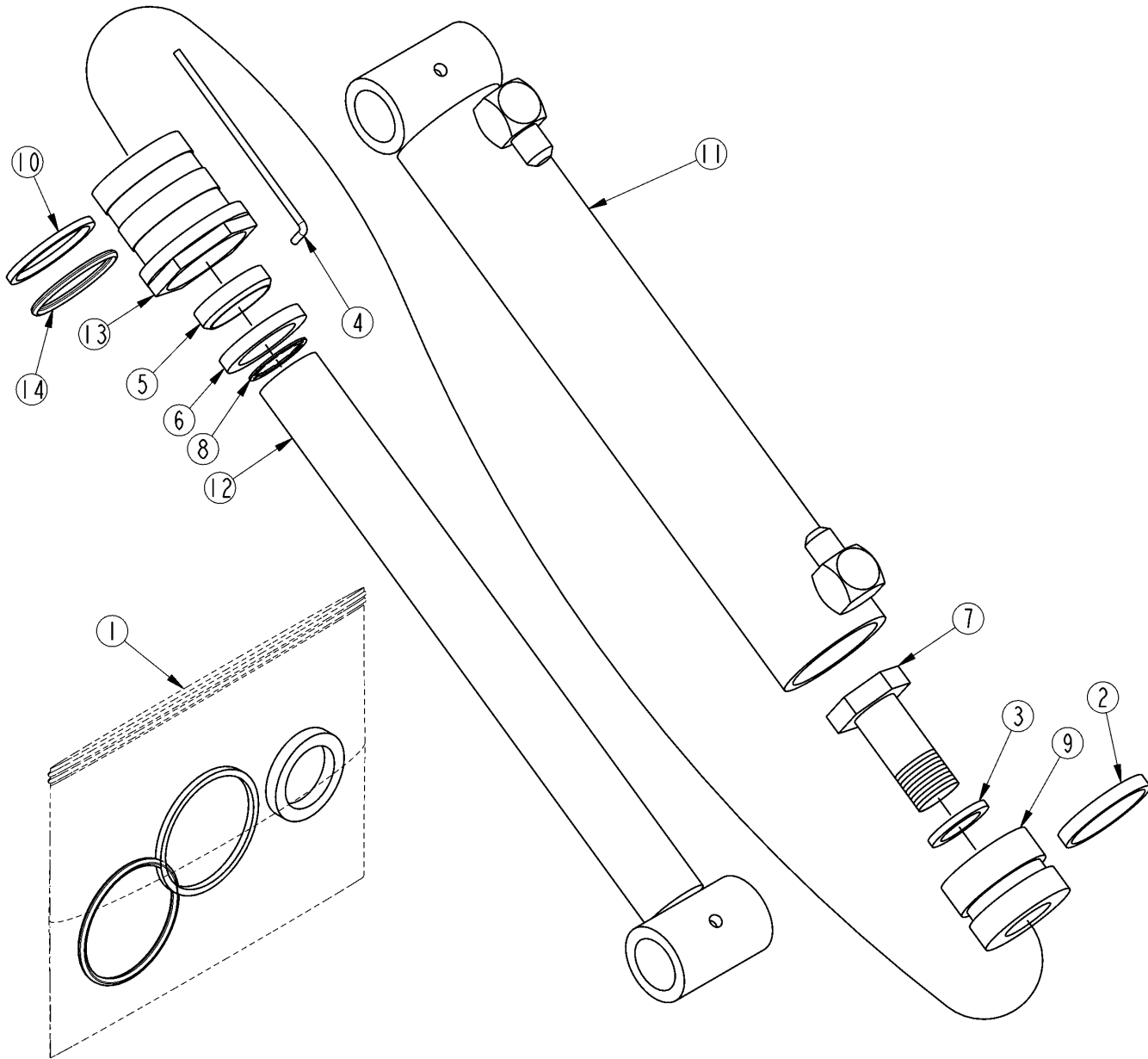
20542

***Hydraulic Cylinder Dipper Stick (839-683C) Shown & (839-506C)*****Applies to BH1560, BH1575**

<b>Ref</b>	<b>Part No.</b>	<b>Part Description</b>	<b>Comments</b>	<b>Revision</b>
	dwg20542	Drawing Image Number		
	839-683C	CYL DIPPER BH1560		
	839-506C	CYL.,DIPPER BH1575		
1.		DYNA-SEAL 7/8" BH	Found only in seal kit item #9	
2.	839-639C	PISTON, 2 1/2" BH		
3.		PISTON SEAL 2 1/2" BH	Found only in seal kit item #9	
4.	839-641C	CYL HEAD 2 1/2" BH		
5.		BACK UP RING 2 1/2" BH	Found only in seal kit item #9	
6.		O-RING 2 1/2" BH	Found only in seal kit item #9	
7.		ROD SEAL 2 1/2" BH	Found only in seal kit item #9	
8.		ROD WIPER 2 1/2" BH	Found only in seal kit item #9	
9.	839-647C	SEAL KIT 2 1/2" BORE		
10.	839-650C	BOLT 7/8 NF X 2 GR5 BH		
11.	839-651C	WASHER 7/8 INTERNAL STAR BH		
12.	839-663C	CYL DIPPER 10" BARREL BH1560	839-683C	
12.	839-636C	CYL DIPPER 14" BARREL BH1575	839-506C	
13.	839-664C	CYL DIPPER 10" ROD BH1560	839-683C	
13.	839-637C	CYL DIPPER 14" ROD BH1575	839-506C	
14.	839-831C	LOCKWIRE 2 1/2" BH		

# Hydraulic Cylinder Stabilizers (839-709C) Shown & (839-503C)

Applies to BH1560, BH1575



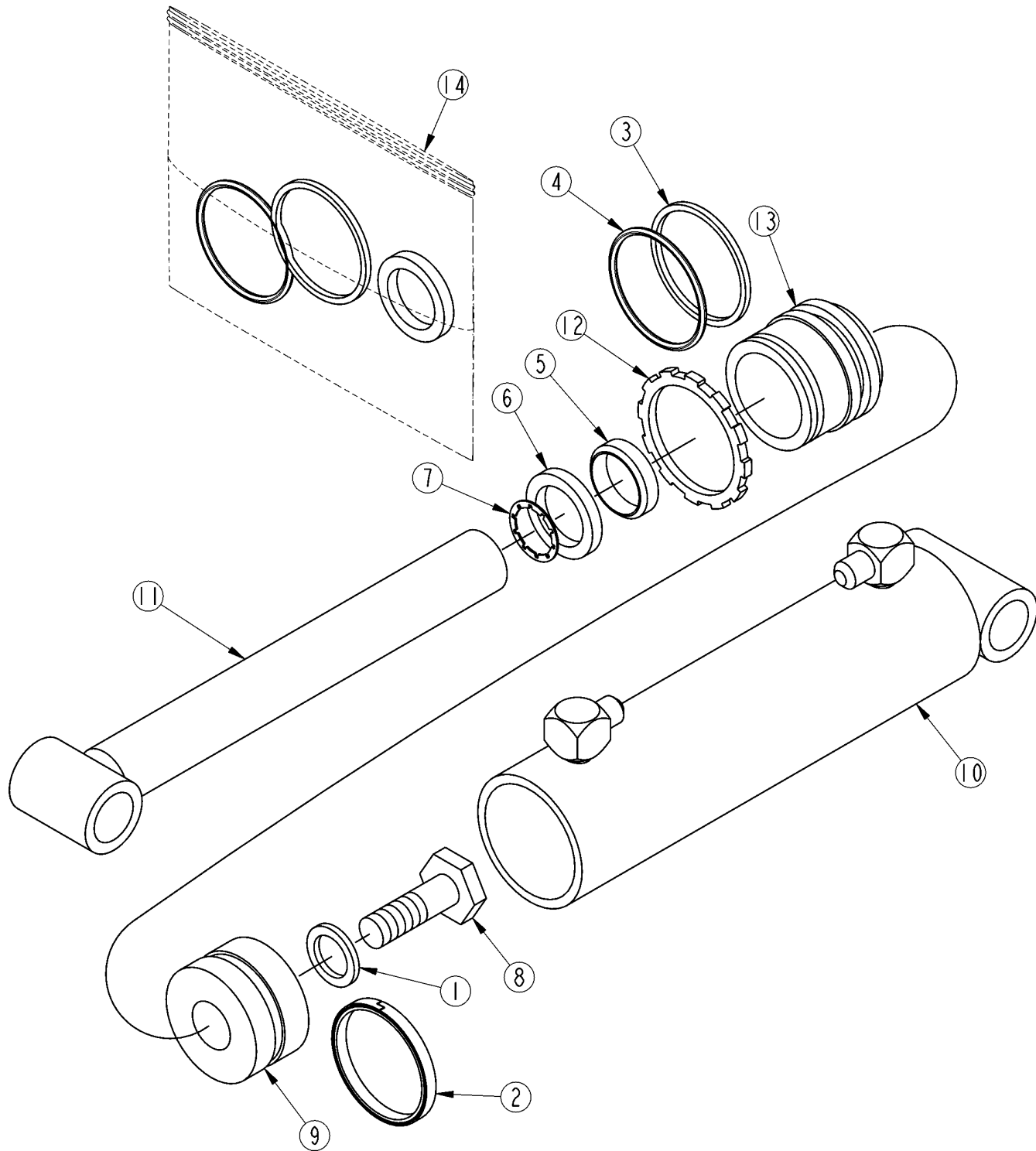
20544

**Hydraulic Cylinder Stabilizers (839-709C) Shown & (839-503C)****Applies to BH1560, BH1575**

Ref	Part No.	Part Description	Comments	Revision
	dwg20544	Drawing Image Number		
	839-709C	CYL STABILIZER BH1560		
	839-503C	CYL.,STABILIZER BH1575		
1.	839-560C	SEAL KIT/POLYPACK BH1560	BH1560 839-709C	
1.	839-937C	SEAL KIT/POLYPACK 2 1/2" BH	BH1575 839-503C	
2.		PISTON POLYPACK BH1560	Found only in seal kit item #1	
3.		DYNA-SEAL 7/8" BH	Found only in seal kit item #1	
4.	839-644C	LOCKWIRE 2" BH		
4.	839-831C	LOCKWIRE 2 1/2" BH		
5.		ROD SEAL 2 1/2" BH	Found only in seal kit item #1	
6.		ROD WIPER 2 1/2" BH	Found only in seal kit item #1	
7.	839-650C	BOLT 7/8 NF X 2 GR5 BH		
8.	839-651C	WASHER 7/8 INTERNAL STAR BH		
9.	839-667C	PISTON 2" BH	BH1560 (839-709C)	
9.	839-639C	PISTON, 2 1/2" BH	BH1575 (839-503C)	
10.		BACKUP RING 2" BH	Found only in seal kit item #1	
11.	839-671C	CYL STABILIZER 8" BARREL BH1560	839-709C	
11.	839-648C	CYL STABILIZER 10" BARREL BH1575	839-503C	
12.	839-672C	CYL STABILIZER 8" ROD BH1560		
13.	839-649C	CYL STABILIZER 10" ROD BH1575		
14.	839-714C	CYL HEAD 2" BH	BH1560 (839-709C)	
14.	839-641C	CYL HEAD 2 1/2" BH	BH1575 (839-503C)	

**Hydraulic Cylinder Swing (839-681C) Shown & (839-507C) (839-508C)**

Applies to BH1560, BH1575



20545

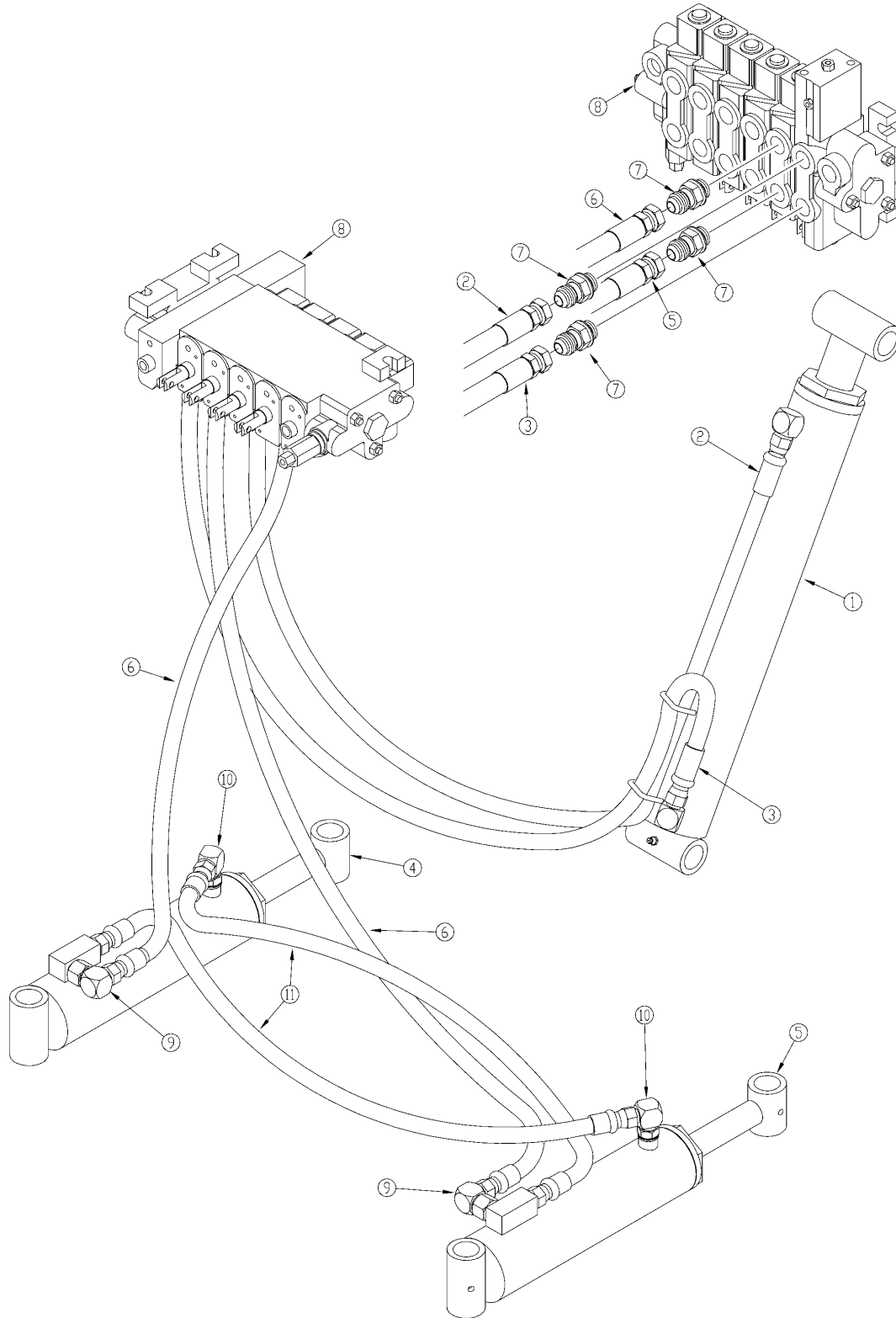


**Hydraulic Cylinder Swing (839-681C) Shown & (839-507C) (839-508C)****Applies to BH1560, BH1575**

Ref	Part No.	Part Description	Comments	Revision
	dwg20545	Drawing Image Number		
	839-681C	CYL SWING BH1560		
	839-507C	CYL.,SWING LH BH1575		
	839-508C	CYL.,SWING RH BH1575		
1.		DYNA-SEAL 7/8" BH	Found only in seal kit item #14	
2.		PISTON SEAL 2 1/2" BH	Found only in seal kit item #14	
3.		BACK UP RING 2 1/2" BH	Found only in seal kit item #14	
4.		O-RING 2 1/2" BH	Found only in seal kit item #14	
5.		ROD SEAL 2 1/2" BH	Found only in seal kit item #14	
6.		ROD WIPER 2 1/2" BH	Found only in seal kit item #14	
7.	839-651C	WASHER 7/8 INTERNAL STAR BH		
8.	839-673C	CYL CAPSCREW 5/8X2 BH1560	BH1560 (839-681C)	
8.	839-650C	BOLT 7/8 NF X 2 GR5 BH	BH1575 (839-508C)	
9.	839-674C	CYL SWING PISTON 2 1/2" BH1560	BH1560 (839-681C)	
9.	839-639C	PISTON, 2 1/2" BH	BH1575 (839-508C)	
10.	839-675C	CYL SWING BARREL 2 1/2" BH1560	BH1560 (839-681C)	
10.	839-656C	CYL SWING LH 10" BARREL BH1575	BH1575 (839-508C)	
10.	839-657C	CYL SWING RH 10" BARREL BH1575	BH1575 (839-508C)	
11.	839-676C	CYL SWING ROD 2 1/2" BH1560	BH1560 (839-681C)	
11.	839-658C	CYL SWING 10" ROD BH1575	BH1575 (839-508C)	
12.	839-678C	CYL SWING LOCKNUT 2 1/2" 1560	BH1560 (839-681C)	
13.	839-679C	CYL SWING HEAD 2 1/2" BH1560	BH1560 (839-681C)	
13.	839-641C	CYL HEAD 2 1/2" BH	BH1575 (839-508C)	
14.	839-680C	SEAL KIT 2 1/2" BH1560	BH1560 (839-681C)	
14.	839-647C	SEAL KIT 2 1/2" BORE	BH1575 (839-508C)	

# Hydraulics Boom & Swing

Applies to BH1575



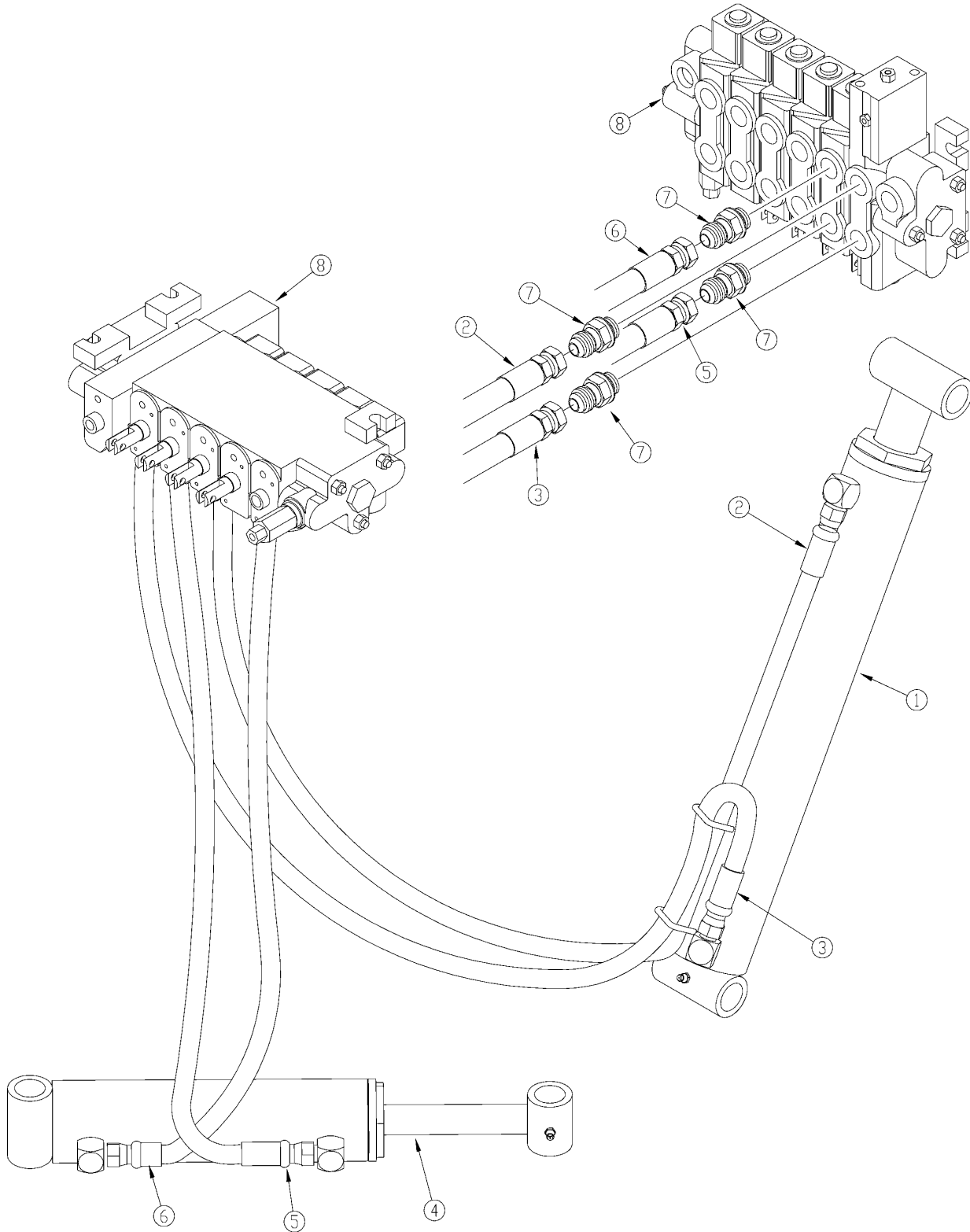
19436

**Hydraulics Boom & Swing****Applies to BH1575**

<b>Ref</b>	<b>Part No.</b>	<b>Part Description</b>	<b>Comments</b>	<b>Revision</b>
	dwg19436	Drawing Image Number		
1.	839-504C	CYL.,BOOM BH1575		
2.	839-558C	HOSE 6P2-65-6JM-6JFS BOOM BH		
3.	839-557C	HOSE 4P2-64-6JM-6JFS BOOM BH		
4.	839-507C	CYL.,SWING LH BH1575		
5.	839-508C	CYL.,SWING RH BH1575		
6.	839-556C	HOSE 4P-29-6JFS-6JFS SWING BH		
7.	839-545C	850X6X8 STRAIGHT O-RING CON BH		
8.	839-509C	VALVE,BH1560 BH1575		
9.	839-561C	863B X 6 ELBOW BH		
10.	839-562C	853B X 6 ELBOW BH		
11.	839-559C	HOSE 4P-16-6JFS-6JFS SWGCRS BH		

# Hydraulics Boom & Swing (BH1560)

Applies to BH1560, BH1575



19428

## Hydraulics Boom & Swing (BH1560)

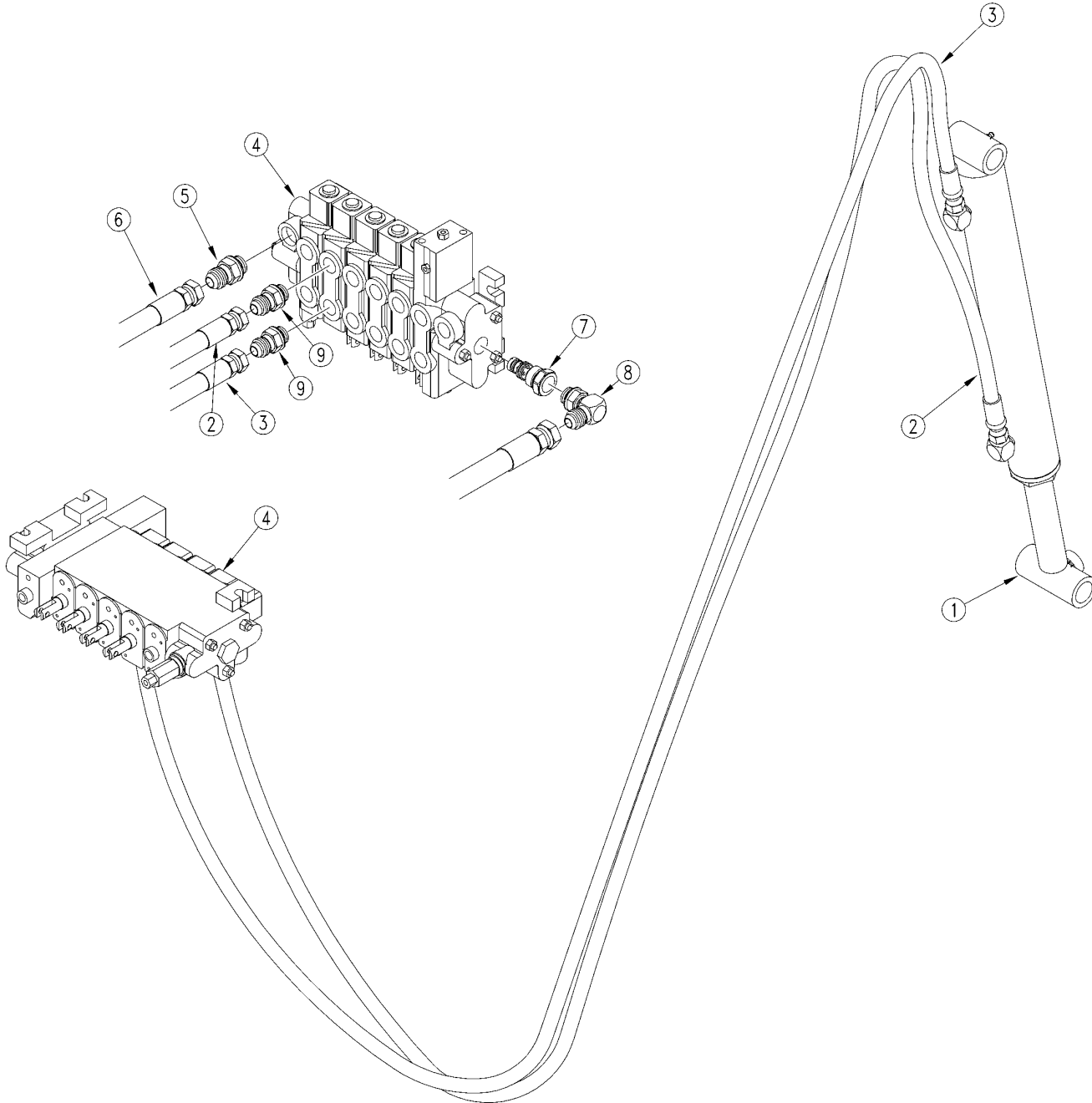
---

### Applies to BH1560, BH1575

Ref	Part No.	Part Description	Comments	Revision
	dwg19428	Drawing Image Number		
1.	839-682C	CYL BOOM BH1560		
2.	839-554C	HOSE 4P-42-6JFS-6JFS STABL BH		
3.	839-554C	HOSE 4P-42-6JFS-6JFS STABL BH		
4.	839-681C	CYL SWING BH1560		
5.	839-707C	HOSE 4P-29-6JFS-6JFS SWING BH		
6.	839-708C	HOSE 4P-31-6JFS-6JFS SWING BH		
7.	839-545C	850X6X8 STRAIGHT O-RING CON BH		
8.	839-509C	VALVE,BH1560 BH1575		

## Hydraulics Bucket & Pressure Hose (BH1560 Shown)

Applies to BH1560, BH1575



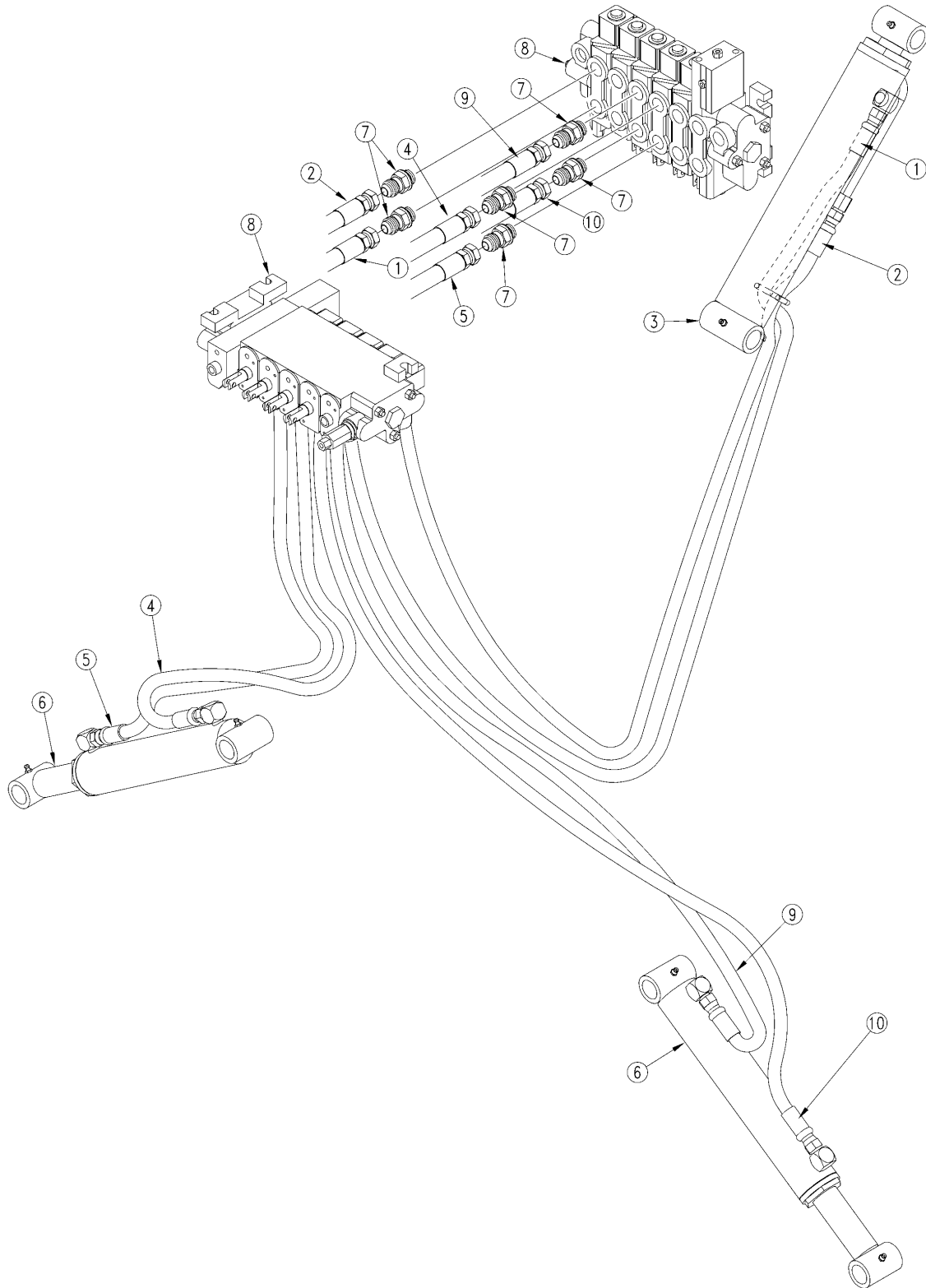
19426

**Hydraulics Bucket & Pressure Hose (BH1560 Shown)****Applies to BH1560, BH1575**

<b>Ref</b>	<b>Part No.</b>	<b>Part Description</b>	<b>Comments</b>	<b>Revision</b>
	dwg19426	Drawing Image Number		
1.	839-684C	CYL BUCKET BH1560		
1.	839-505C	CYL.,BUCKET BH1575	BH1575	
2.	839-550C	HOSE 4P2-102-6JFS-6JFS STK PVT		
2.	839-553C	HOSE 4P119-6JM-6JFS BUCKT BH	BH1575	
3.	839-704C	HOSE 4P-89-6JFS-6JFS BUKT BH		
3.	839-552C	HOSE 6P-115-6JFS-6JFS BUKT BH		
4.	839-509C	VALVE,BH1560 BH1575	BH1575	
5.	839-548C	8508X8X10 STRAIT O-RING CON BH		
6.	839-549C	HOSE 8P-50-8-8JFS PRESSURE BH		
7.	839-547C	POWER BEYOND SLEEVE BH		
8.	839-546C	8538X8X10 O-RING 90 ELBOW BH		
9.	839-545C	850X6X8 STRAIGHT O-RING CON BH		

### Hydraulics Dipper Stick & Stabilizers (BH1560 Shown)

Applies to BH1560, BH1575



19427

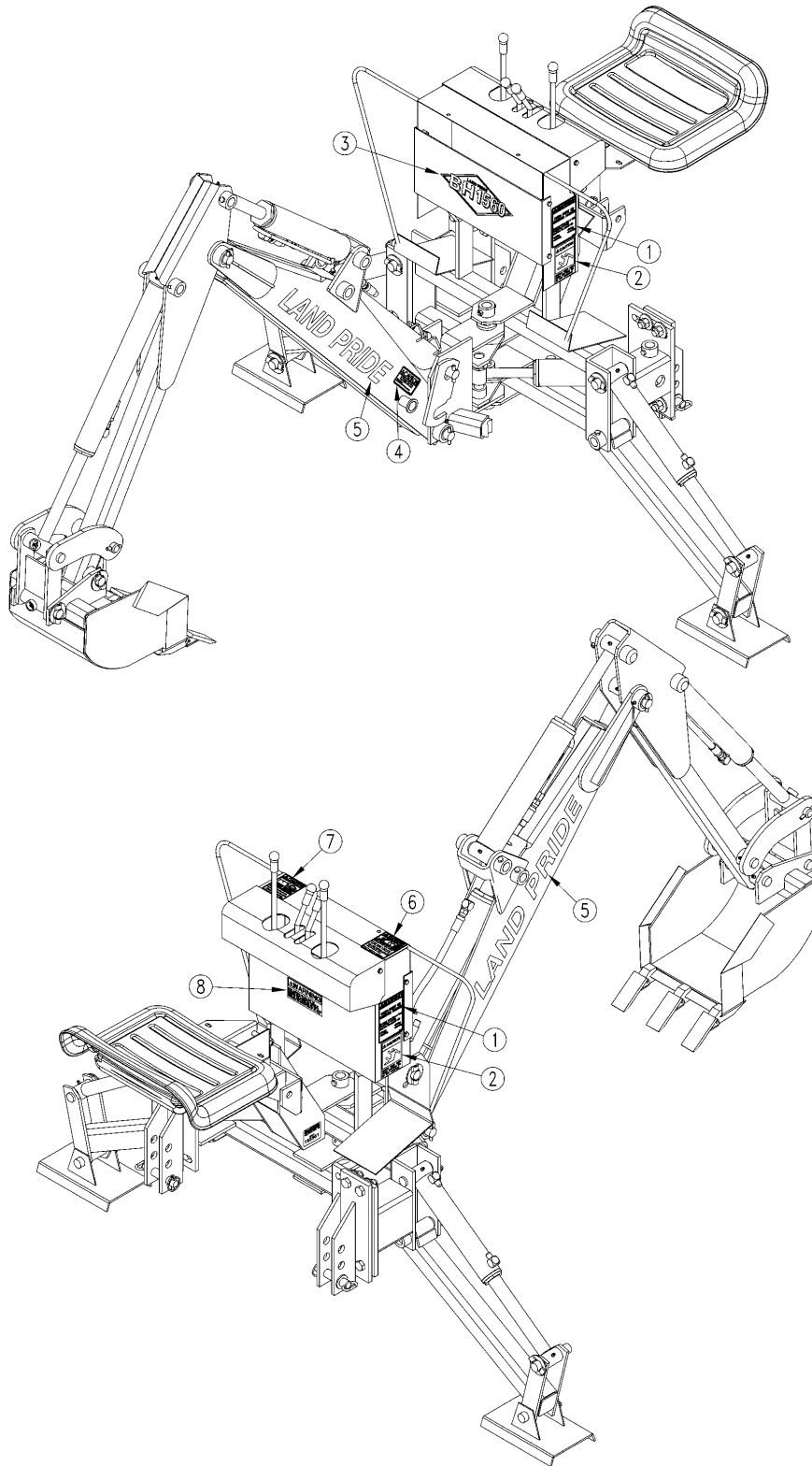


**Hydraulics Dipper Stick & Stabilizers (BH1560 Shown)****Applies to BH1560, BH1575**

Ref	Part No.	Part Description	Comments	Revision
	dwg19427	Drawing Image Number		
1.	839-702C	HOSE 4P-72-6JICF-6JICF DIP BH		
1.	839-550C	HOSE 4P2-102-6JFS-6JFS STK PVT	BH1575	
2.	839-703C	HOSE 4P-84-6JICF-6JICF DIP BH		
2.	839-551C	HOSE 6P2-85-6LFS-6JFS STK BH	BH1575	
3.	839-683C	CYL DIPPER BH1560		
3.	839-506C	CYL.,DIPPER BH1575	BH1575	
4.	839-705C	HOSE 4P-42-6JFS-6JFS STAB BH		
4.	839-554C	HOSE 4P-42-6JFS-6JFS STABL BH	BH1575	
5.	839-706C	HOSE 4P-44-6JFS-6JFS STAB BH		
5.	839-555C	HOSE 4P-46-6JFS-6JFS STABL BH	BH1575	
6.	839-709C	CYL STABILIZER BH1560		
6.	839-503C	CYL.,STABILIZER BH1575	BH1575	
7.	839-545C	850X6X8 STRAIGHT O-RING CON BH		
8.	839-509C	VALVE,BH1560 BH1575	BH1575	
9.	839-705C	HOSE 4P-42-6JFS-6JFS STAB BH		
9.	839-554C	HOSE 4P-42-6JFS-6JFS STABL BH	BH1575	
10.	839-706C	HOSE 4P-44-6JFS-6JFS STAB BH		
10.	839-555C	HOSE 4P-46-6JFS-6JFS STABL BH	BH1575	

## Label Placement

Applies to BH1560, BH1575



19437

## ***Label Placement***

---

### **Applies to BH1560, BH1575**

<b>Ref</b>	<b>Part No.</b>	<b>Part Description</b>	<b>Comments</b>	<b>Revision</b>
	dwg19437	Drawing Image Number		
1.	838-378C	DECAL WARNING PINCH/CRUSH		
2.	839-932C	DECAL WATCH YOUR STEP BH1560		
3.	838-335C	DECAL BH1560 GREEN		
3.	838-336C	DECAL BH1575 GREEN		
4.	838-380C	DECAL CAUTION TRANSP. LOCK		
5.	838-353C	DECAL LAND PRIDE GOLD/BLACK 24		
6.	818-339C	DECAL WARNING HIGH PRESSUR SML		
7.	838-379C	DECAL DANGER UTILITIES		
8.	839-933C	DECAL READ BEFORE OPERATION		



# Part Number Index

The Part Number Index is a numeric index of all part numbers included in this manual. The index shows what page(s) the part is used on.

Part Number	Page	Part Number	Page	Part Number	Page	Part Number	Page
340-005A	9	839-502C	11	839-657C	25	dwg20545	25
340-006A	9	839-503C	11, 23, 33	839-658C	25		
340-007A	9	839-504C	7, 17, 27	839-659C	11		
340-008A	9	839-505C	9, 19, 31	839-660C	17		
340-008D	7	839-506C	9, 21, 33	839-661C	17		
340-009A	9	839-507C	7, 25, 27	839-663C	21		
340-009D	13	839-508C	7, 25, 27	839-664C	21		
340-010A	9	839-509C	15, 27, 29, 31, 33	839-665C	19		
340-011H	7, 11, 13	839-510C	7, 9, 11	839-666C	19		
340-012H	7, 9	839-511C	7	839-667C	19, 23		
340-013H	9	839-512C	7	839-670C	19		
340-014D	7	839-513C	7	839-671C	23		
340-014H	7	839-514C	7	839-672C	23		
340-015H	9	839-515C	9	839-673C	25		
340-016H	9	839-516C	9	839-674C	25		
340-017H	9	839-517C	9	839-675C	25		
340-024H	7, 11	839-518C	11	839-676C	25		
340-025H	7, 9	839-522C	11	839-678C	25		
340-026H	9	839-526C	11, 13	839-679C	25		
340-027H	7	839-527C	13	839-680C	25		
340-028H	9	839-528C	13	839-681C	7, 25, 29		
340-029H	9	839-529C	13	839-682C	7, 17, 29		
340-037H	11	839-530C	15	839-683C	9, 21, 33		
340-038H	11	839-531C	15	839-684C	9, 19, 31		
340-039H	11	839-532C	15	839-685C	11		
340-045A	9	839-533C	15	839-686C	7, 9		
340-047A	9	839-534C	15	839-688C	7		
340-049A	9	839-535C	15	839-689C	7		
340-051A	9	839-536C	15	839-690C	7		
340-052K	13	839-537C	15	839-691C	7		
340-053K	13	839-538C	15	839-692C	7		
340-055H	13	839-539C	15	839-693C	9		
340-057K	15	839-540C	15	839-694C	9		
340-063K	11	839-542C	15	839-695C	9		
340-064H	11	839-543C	15	839-696C	9		
340-065H	11	839-544C	15	839-697C	7		
340-068H	11	839-545C	27, 29, 31, 33	839-698C	11		
340-069H	11	839-546C	31	839-699C	11		
800-001C	7, 9, 11	839-547C	31	839-700C	11		
800-073C	7	839-548C	31	839-702C	33		
802-014C	11	839-549C	31	839-703C	33		
802-039C	11	839-550C	31, 33	839-704C	31		
802-055C	11	839-551C	33	839-705C	33		
802-066C	13	839-552C	31	839-706C	33		
802-079C	15	839-553C	31	839-707C	29		
802-115C	7, 9, 11	839-554C	29, 33	839-708C	29		
802-162C	13	839-555C	33	839-709C	11, 23, 33		
802-453C	15	839-556C	27	839-714C	19, 23		
803-008C	15	839-557C	27	839-747C	9		
803-011C	7, 9, 11	839-558C	27	839-818C	11		
803-013C	15	839-559C	27	839-831C	17, 19, 21, 23		
803-014C	15	839-560C	23	839-932C	35		
803-019C	11	839-561C	27	839-933C	35		
803-021C	13	839-562C	27	839-937C	23		
803-023C	13	839-634C	11	839-938C	11		
803-024C	11	839-636C	21	839-966C	15		
803-027C	13	839-637C	21	dwg19383	11		
803-048C	13	839-639C	17, 19, 21, 23, 25	dwg19426	31		
804-011C	15	839-641C	17, 19, 21, 23, 25	dwg19427	33		
804-013C	11	839-644C	19, 23	dwg19428	29		
804-019C	11, 13	839-647C	17, 19, 21, 25	dwg19436	27		
805-053C	7, 9, 11	839-648C	23	dwg19437	35		
818-339C	35	839-649C	23	dwg20533	13		
838-335C	35	839-650C	17, 19, 21, 23, 25	dwg20534	15		
838-336C	35	839-651C	17, 19, 21, 23, 25	dwg20535	7		
838-353C	35	839-652C	17	dwg20538	9		
838-378C	35	839-653C	17	dwg20541	17		
838-379C	35	839-654C	19	dwg20542	21		
838-380C	35	839-655C	19	dwg20543	19		
839-500C	7, 9	839-656C	25	dwg20544	23		

***This Page Intentionally Left Blank***



Great Plains Manufacturing, Inc.

Corporate Office: P.O. Box 5060  
Salina, Kansas 67402-5060 USA

[www.landpride.com](http://www.landpride.com)

## Free Manuals Download Website

<http://myh66.com>

<http://usermanuals.us>

<http://www.somanuals.com>

<http://www.4manuals.cc>

<http://www.manual-lib.com>

<http://www.404manual.com>

<http://www.luxmanual.com>

<http://aubethermostatmanual.com>

Golf course search by state

<http://golfingnear.com>

Email search by domain

<http://emailbydomain.com>

Auto manuals search

<http://auto.somanuals.com>

TV manuals search

<http://tv.somanuals.com>