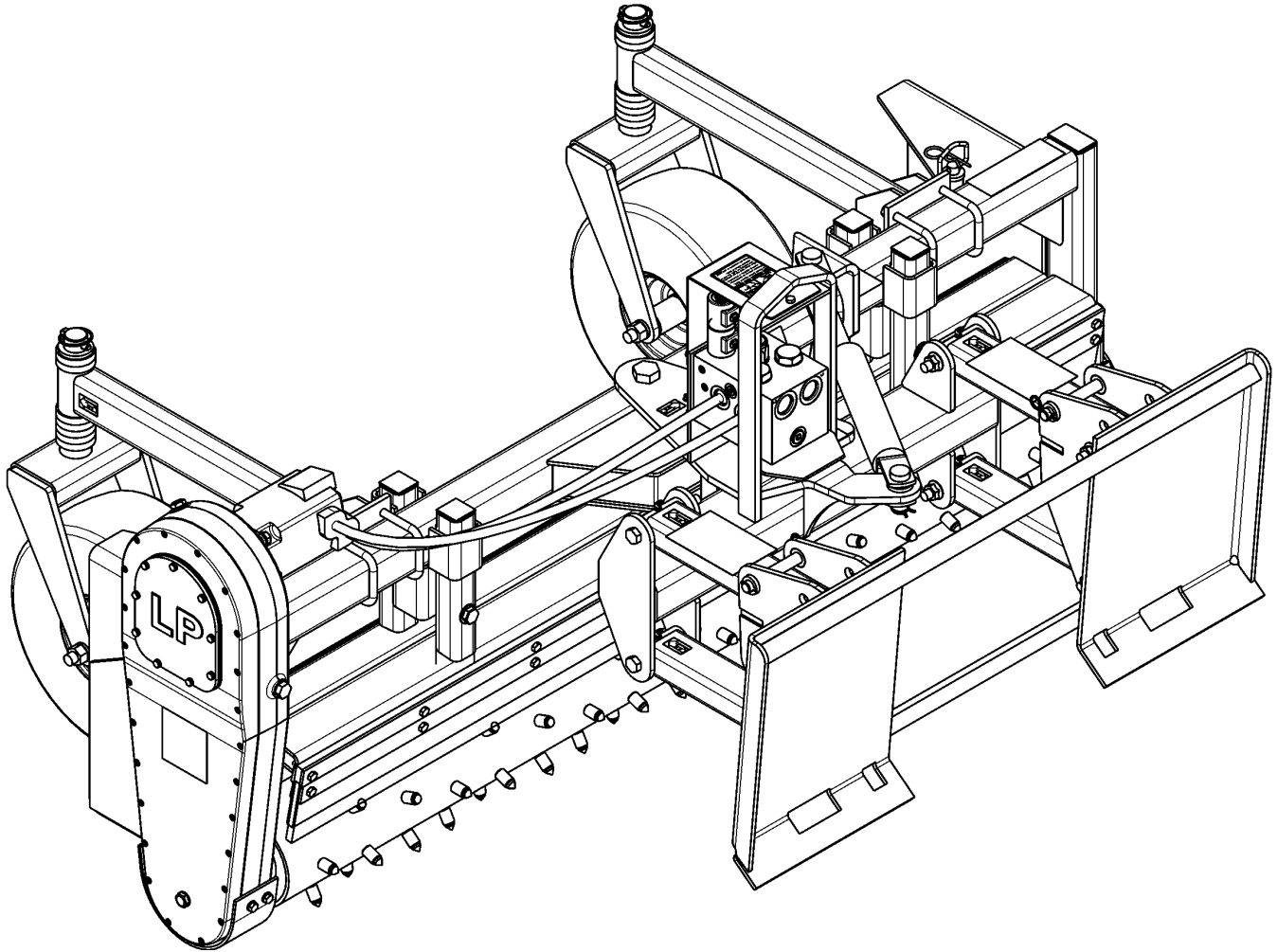


Skid Steer Powered Rake

SR2572, SR2672 & SR2690



21100

321-004P Parts Manual



Read the Operator's manual entirely. When you see this symbol, the subsequent instructions and warnings are serious - follow without exception. Your life and the lives of others depend on it!

© Copyright 2007 Printed 10/30/07

Cover photo may show optional equipment not supplied with standard unit.





Table of Contents

Section 1: Introduction.....4
 Using This Manual.....4
 Manual Replacement Information.....4
 Manual Revisions.....4
 Touch-up Paint.....4
 Hardware Legend.....5
 Replacement Hardware.....5
 Serial Numbers.....5
 Part Number Service Coding.....5

Switch & Wire Harness (823-183C).....58
Section 6: Labels.....60
 Label Placement.....60

Part Number Index.....62

SR25 SERIES

Section 2: Frames.....6
 Hitch and Pivot Frame.....6
 Main Frame.....8
 Material Control Blades and Bar Roller.....10
 Material Control Blades and Spiked Roller.....12
Section 3: Chain Case.....14
 Chain Case.....14
Section 4: Gauge Wheel.....16
 Gauge Wheels.....16
Section 5: Hydraulics.....18
 Hydraulic Arrangement.....18
 Hydraulic Bypass Valve (810-401C) S/N 430842-).....20
 Hydraulic Cylinder (810-005C).....22
 Hydraulic Motor (810-389C).....24
 Switch & Wire Harness (823-183C).....26
Section 6: Labels.....28
 Label Placement SR25.....28

SR26 SERIES

Section 2: Frames.....30
 Hitch and Pivot Frame.....30
 Main Frame.....32
 Main Frame.....34
 Material Control Blades and Bar Roller.....36
 Material Control Blades and Spiked Roller.....38
 Material Control Blades and Spiked Roller.....40
Section 3: Chain Case.....42
 Chain Case.....42
Section 4: Gauge Wheel.....44
 Gauge Wheels.....44
Section 5: Hydraulics.....46
 Hydraulic Arrangement.....46
 Hydraulic Bypass Valve (810-401C) (S/N 430843+).....48
 Hydraulic Bypass Valve (810-401C) S/N 430842-).....50
 Hydraulic Cylinder (810-005C).....52
 Hydraulic Motor (810-389C).....54
 Hydraulic Motor (810-561C).....56

© Copyright 2007. All rights reserved.

Land Pride provides this publication "as is" without warranty of any kind, either expressed or implied. While every precaution has been taken in the preparation of this manual, Land Pride assumes no responsibility for errors or omissions. Neither is any liability assumed for damages resulting from the use of the information contained herein. Land Pride reserves the right to revise and improve its products as it sees fit. This publication describes the state of this product at the time of its publication, and may not reflect the product in the future. The illustrations in this manual are not intended for safe and proper assembly or disassembly of equipment. The illustrations are intended for ordering parts only.

Land Pride is registered trademark.

All other brands and product names are trademarks or registered trademarks of their respective holders.

Printed in the United States of America.



Alphabetized Table of Contents

SR25 SERIES

C	
Chain Case.....	14
G	
Gauge Wheels.....	16
H	
Hitch and Pivot Frame.....	6
Hydraulic Arrangement.....	18
Hydraulic Bypass Valve (810-401C) S/N 430842-.....	20
Hydraulic Cylinder (810-005C).....	22
Hydraulic Motor (810-389C).....	24
L	
Label Placement SR25.....	28
M	
Main Frame.....	8
Material Control Blades and Bar Roller.....	10
Material Control Blades and Spiked Roller.....	12
S	
Switch & Wire Harness (823-183C).....	26

SR26 SERIES

C	
Chain Case.....	42
G	
Gauge Wheels.....	44
H	
Hitch and Pivot Frame.....	30
Hydraulic Arrangement.....	46
Hydraulic Bypass Valve (810-401C) (S/N 430843+).....	48
Hydraulic Bypass Valve (810-401C) S/N 430842-.....	50
Hydraulic Cylinder (810-005C).....	52
Hydraulic Motor (810-389C).....	54
Hydraulic Motor (810-561C).....	56
L	
Label Placement.....	60
M	
Main Frame.....	32
Main Frame.....	34
Material Control Blades and Bar Roller.....	36
Material Control Blades and Spiked Roller.....	38
Material Control Blades and Spiked Roller.....	40
S	
Switch & Wire Harness (823-183C).....	58

General Information

Using This Manual

This manual is divided into sections. The first section contains General Information. The remaining sections divide the machine into segments (i.e. Frames, Drives, Hydraulics, etc.) which illustrate and list all parts. A Parts Number Index is located at the back of the book.

The Land Pride parts in this manual are specially designed for this machine and should be replaced with Land Pride parts only.

The information in this manual is current at time of printing. Some parts may change to assure top performance.

Right-hand and left-hand as used in this manual are determined by facing the direction the machine will travel while in use.

Below is an example of two facing pages from a parts manual. Familiarize yourself with the type of information contained on these pages.

Manual Replacement Information

Replacement manuals are available. Refer to our website at www.landpride.com, the Land Pride Support Center CD or e-mail us at lit@landpride.com for additional information. Our website continues to provide the most up-to-date manuals available.

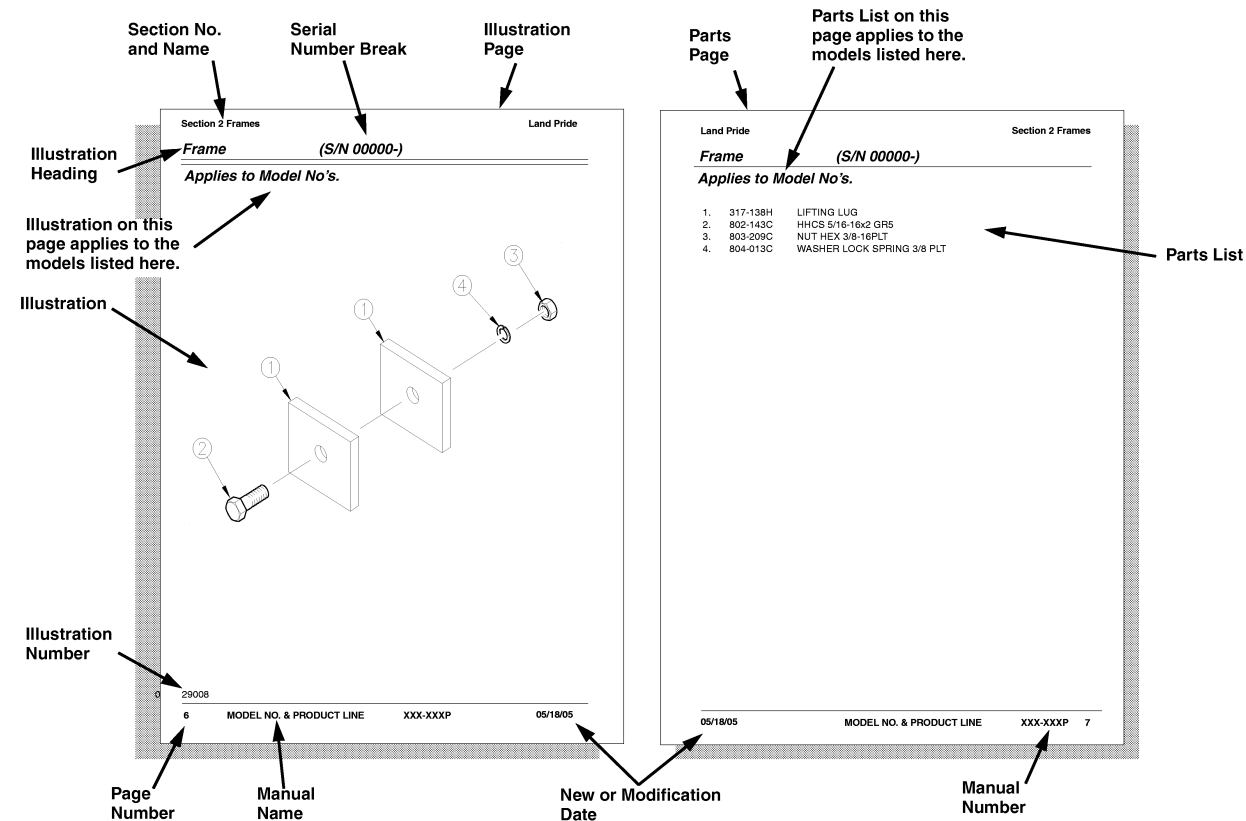
Touch-up Paint

Repaint parts where paint is worn or scratched to prevent rust. Aerosol cans and touch-up bottles with brush applicator are available through your local dealer. Land Pride color descriptions and part numbers are listed below. Also available are quart and gallon size paints. Add QT or GL to end of the Aerosol P/N.

Color	Product ¹	Aerosol	Touch-Up
Gloss Black	LP	821-032C	821-032CTU
Medium Gloss Black	UV	821-053C	821-053CTU
Beige	LP	821-011C	821-011CTU
Green	SLP	821-058C	821-058CTU
Orange	SLP	821-066C	821-066CTU
Red	SLP/UV	821-054C	821-054CTU
Blue	SLP/UV	821-067C	821-067CTU
Dark Green Sparkle	UV	821-055C	821-055CTU
Gondo Forest Green	UV	821-057C	821-057CTU
Brite Yellow ²	UV	821-056C	821-056CTU
Gondo Yellow ³	UV	821-059C	821-059CTU

Notes:

- 1 LP = All Land Pride Products except Utility Vehicles
SLP = Select Land Pride Products that are available in optional Green, Orange, Red, & Blue colors.
UV = Utility Vehicles
- 2 Used on Trekers and (Runabouts with S/N 407628-)
- 3 Used on Gondos and (Runabouts with S/N 407629+)



General Information

Hardware Legend

AR	As Required
BLADE	Blade Bolt
C	Cap Screw
CP	Cotter Pin
CPHSSS	Cup Point Hex Socket Set Screw
CPSHSS	Cup Point Square Head Set Screw
CPSQHSS	Cup Point Square Head Set Screw
CRFCHMS3	Cross Recess Flat Countersunk Head Machine Screw
CRPHMS	Cross Recess Pan Head Machine Screw
CRPHTF	Cross Recess Pan Head Thread Forming
CRRHMS	Cross Recess Round Head Machine Screw
CRTHMS	Cross Recess Truss Head Machine Screw
CSNB	Countersunk Square Neck Bolt
FHMS	Flat Head Machine Screw
FTC	Full Thread Cap Screw
H	Hex Nut
HCLN	Hex Center Lock Nut
HFLCS	Hex Flange Lock Cap Screw
HFS	Hex Flange Screw
HFSLN	Hex Flange Serrated Lock Nut
HFSS	Hex Flange Serrated Screw
HHCS	Hex Head Cap Screw or Metric Bolt
HSBHCS	Hex Socket Button Head Cap Screw
HSFCHCS	Hex Socket Flat Countersunk Head Cap Screw
HSHCS	Hex Socket Head Cap Screw
HSSS	Hex Socket Head Screw
HTLN	Hex Top Lock Nut
HWHCS	Hex Washer Head Cap Screw

HWHMS	Hex Washer Head Machine Screw
HXBHCS	Hex Socket Button Head Cap Screw
J	Hex Jam Nut
JIC	37 Degree Tapered Thread
L	Helical Spring Lock Washer
LUG	Lug Bolt
NFC	National Fine Cap Screw
NPSM	National Pipe Straight Mechanical
NPTF	National Pipe Taper Fuel
P	Wide Plain Washer
PHMS	Pan Head Machine Screw
PLOW	Plow Bolt
RHMS	Round Head Machine Screw
RHSNB	Round Head Square Neck Bolt
SCREW LEVELING	Leveling Screw
SCREW THUMB	Thumb Screw
SCREW WELD	Weld Screw
SFCHMS	Slotted Flat Countersunk Head Machine Screw
SFHMS	Slotted Fillister Head Machine Screw
SP	Special
SP SCREW	Special Screw
SQHSS	Square Head Set Screw
SRHMS	Slotted Round Head Machine Screw
SSS	Socket Set Screw
STCS	Self Tapping Cap Screw
STHMS	Slotted Truss Head Machine Screw
WHEEL	Wheel Studs and Hub Long Bolts
WING	Wing Bolt

Replacement Hardware

The **Hardware Legend** above lists hardware abbreviations used in the parts list. All bolts and nuts are Grade 5 unless otherwise noted. The use of improper grades of hardware can result in personal injury, damage to equipment, or loss of property.

Colored Replacement Parts

Land Pride offers replacement parts in factory standard colors and also on select models in Green, Orange, Red and Blue. Because of the variety of colors available, special attention must be given to the part number to prevent ordering the wrong replacement part.

A suffix number corresponding to one of the colors below must be added at the end of Land Pride's part number when ordering a replacement part with that color.

- | | |
|-----------------------------------|---------------------------------|
| 81 Green | 83 Red |
| 82 Orange | 84 Blue |

For example, if you are ordering a replacement part with part number 555-555C and the part you need is red, then add the suffix 83 to the end of the number to make the part number read 555-555C83. Parts ordered without a suffix number will be supplied in factory standard colors.

Black Replacement Parts

Some parts are factory standard black and some must be special ordered black. If your part is special ordered black, a second part number with the additional suffix number 85 on the end will be available. In this situation you must order that part with the suffix number for it to be black. Parts that are factory standard black will not have the suffix number.

Part Number Service Coding

Within the parts list some part numbers are coded for revisions and interchangeability. See notations in revision column.

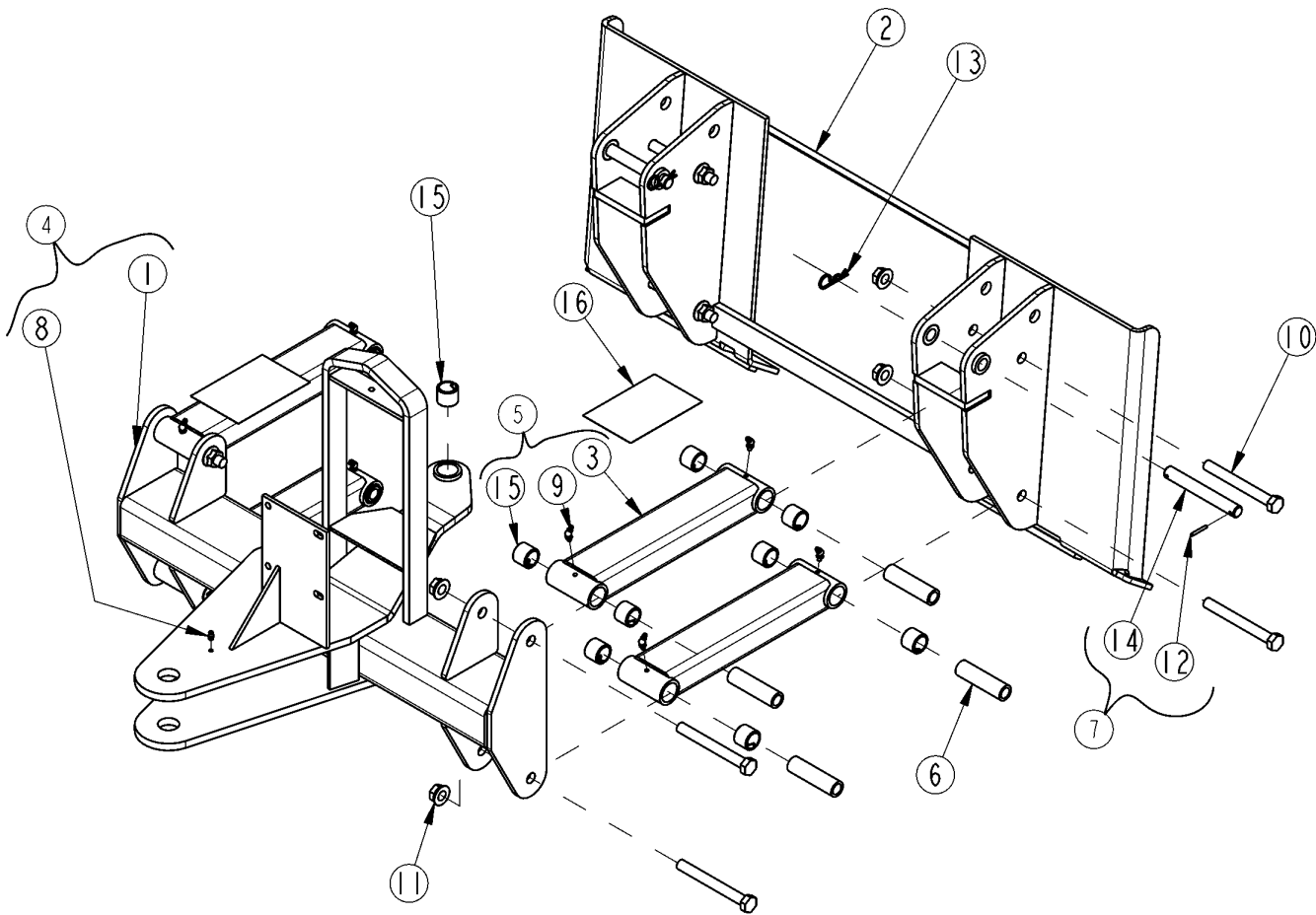
Serial Numbers

Always use the serial and model number when ordering parts. Refer to the Operator's Manual for serial number plate location.

- | | |
|----------------------|--|
| (S/N 20001+) | Includes serial numbers 20001 and above (to the latest number) |
| (S/N 10001 to 20000) | Includes serial numbers between and including 10001 and 20000 |
| (S/N 10000-) | Includes serial numbers 10000 and below (to the earliest number) |

Hitch and Pivot Frame

Applies to SR2572



21376

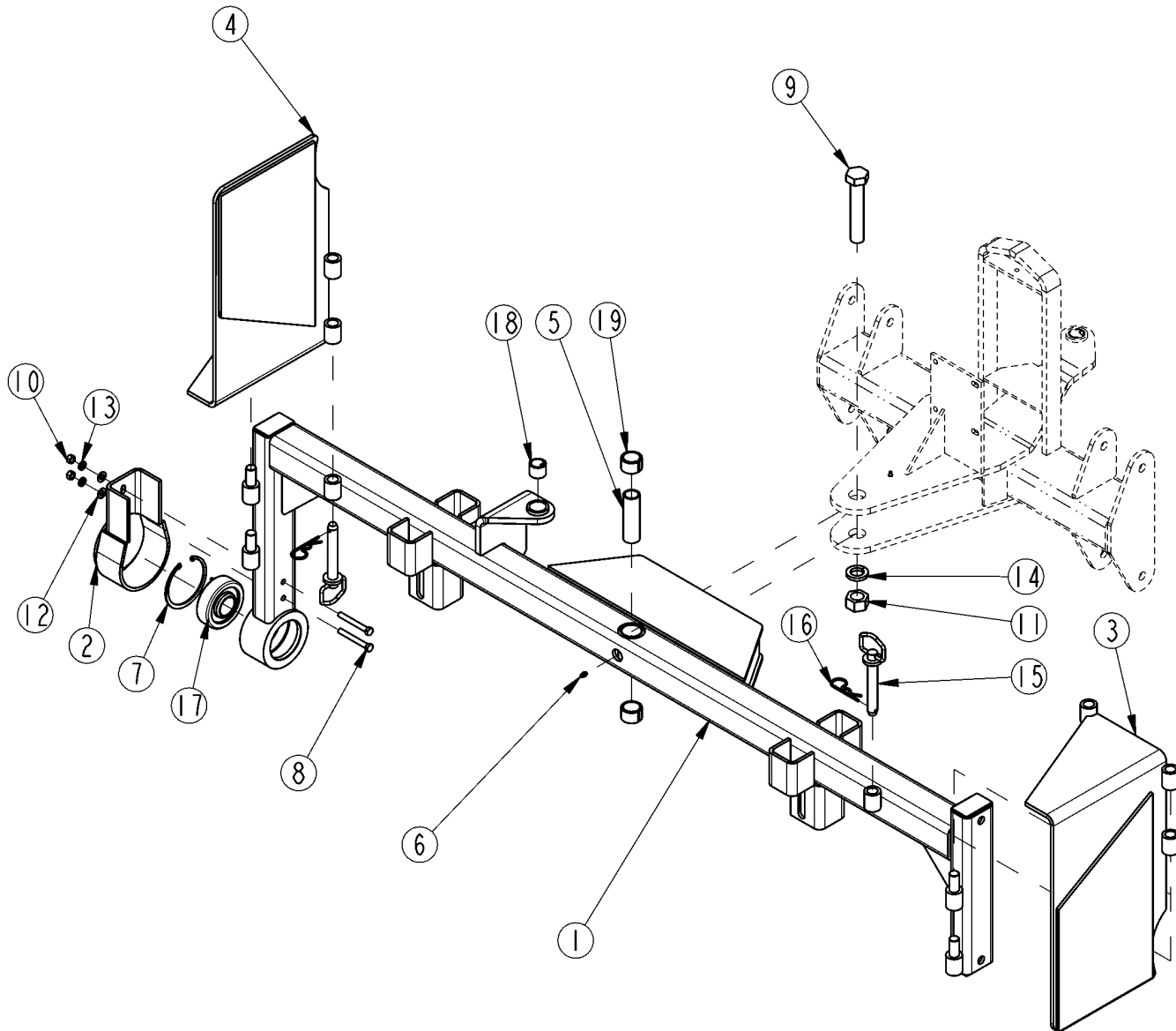
Hitch and Pivot Frame

Applies to SR2572

Ref	Part No.	Part Description	Comments	Revision
	dwg21376	Drawing Image Number		
1.	321-001H	PARALLEL ARM PIVOT WLDMT		
1.	321-001H82	PARALLEL ARM PIVOT WMT ORANGE		
2.	321-002H	HITCH WLDMT		
2.	321-002H82	HITCH WLDMT ORANGE		
3.	321-003H	UPPER PARALLEL ARM WLDMT		
3.	321-003H82	UPPER PARALLEL ARM WMT ORANGE		
4.	321-005K	PIVOT ASSEMBLY		
5.	321-008S	UPPER PARALLEL ARM ASSY		
6.	321-011D	PIVOT BUSHING		
7.	321-036S	PIN 3/4 OD X 5 1/8 USABLE ASSY		
8.	800-080C	GREASE ZERK 1/4-28 THD FORMING		
9.	800-136C	ZERK 1/4-28 X 45 DEG SELF-TAP		
10.	802-254C	HHCS 5/8-11X5 1/2 GR5		
11.	803-263C	NUT HEX FLANGE LOCK 5/8-11 PLT		
12.	805-068C	PIN ROLL 5/32 X 1 1/4		
13.	805-143C	PIN HAIR COTTER .120 PLT		
14.	805-300C	PIN 3/4 OD X 5 1/8 USABLE		
15.	890-005C	BUSHING CYL 1 1/4 X 1 X 1		
16.	990-085R	3M CONFORM. ANTI-SLIP 4" WIDE (Per FT.)	.5 FT. Required per Side	

Main Frame

Applies to SR2572



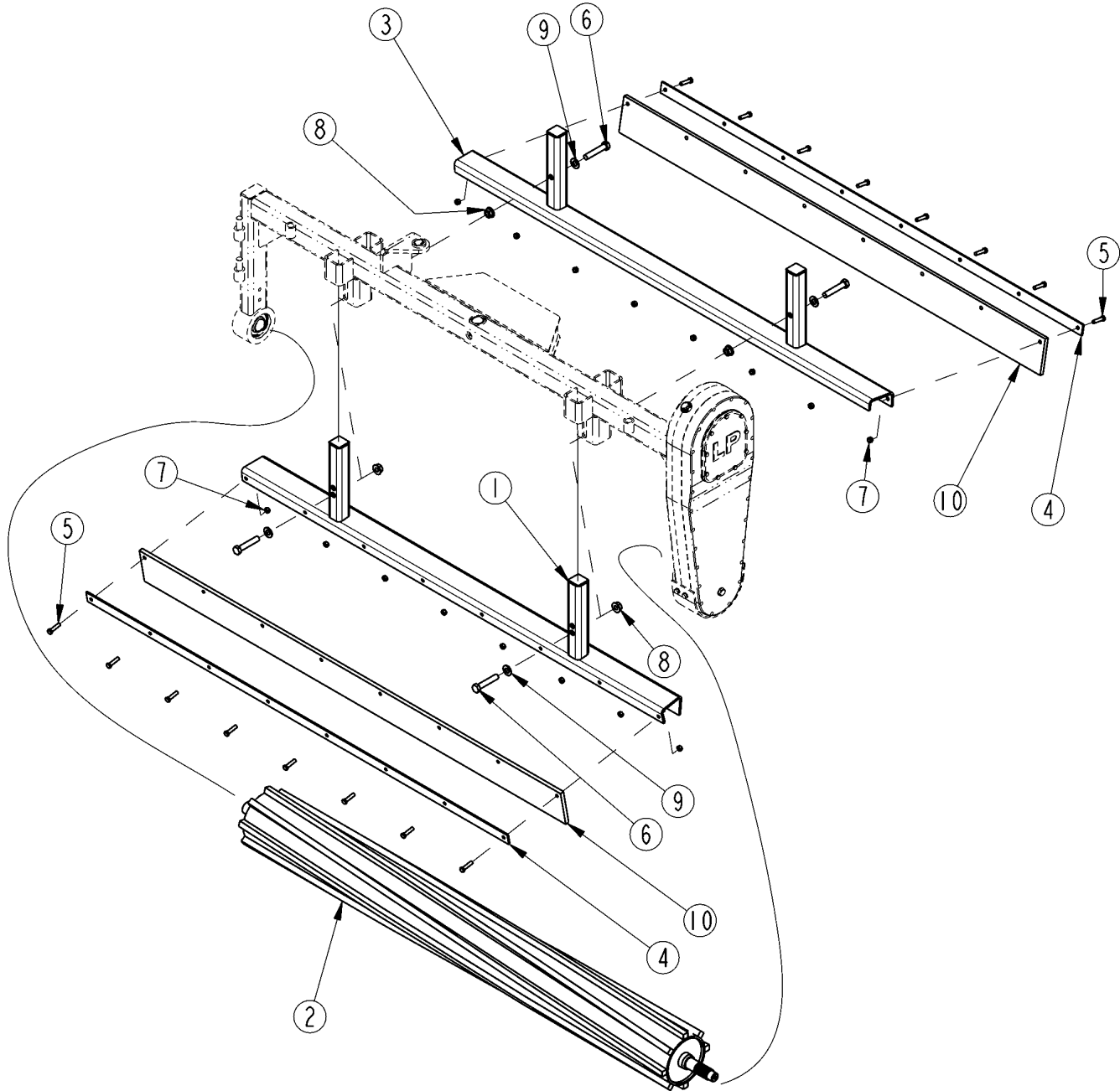
21378

Main Frame**Applies to SR2572**

Ref	Part No.	Part Description	Comments	Revision
	dwg21378	Drawing Image Number		
1.	321-012H	MAIN FRAME WELDMENT		
2.	321-014H	SKID SHOE		
3.	321-021H	LH SIDE PLATE WELDMENT		
4.	321-022H	RH SIDE PLATE WELDMENT		
5.	321-063D	TUBE RND DOM. 1.25ODX11GWX4.06		
6.	800-080C	GREASE ZERK 1/4-28 THD FORMING		
7.	800-309C	SNAP RING INT 4.107 OD .120W		
8.	802-024C	HHCS 3/8-16X3 GR5		
9.	802-205C	HHCS 1-8X5 1/2 GR5		
10.	803-014C	NUT HEX 3/8-16 PLT		
11.	803-031C	NUT HEX 1-8 PLT		
12.	804-012C	WASHER FLAT 3/8 SAE PLT		
13.	804-013C	WASHER LOCK SPRING 3/8 PLT		
14.	804-027C	WASHER LOCK SPRING 1 PLT		
15.	805-081C	PIN HITCH 3/4 X 4 3/8		
16.	805-088C	PIN, HAIR COTTER 3/16 WIRE DIA		
17.	822-182C	BRG SPHERE 1 1/2 ID W/CAST		
18.	890-005C	BUSHING CYL 1 1/4 X 1 X 1		
19.	890-011C	BUSHING SPINDLE 1 1/2X1 1/4X1		

Material Control Blades and Bar Roller

Applies to SR2572



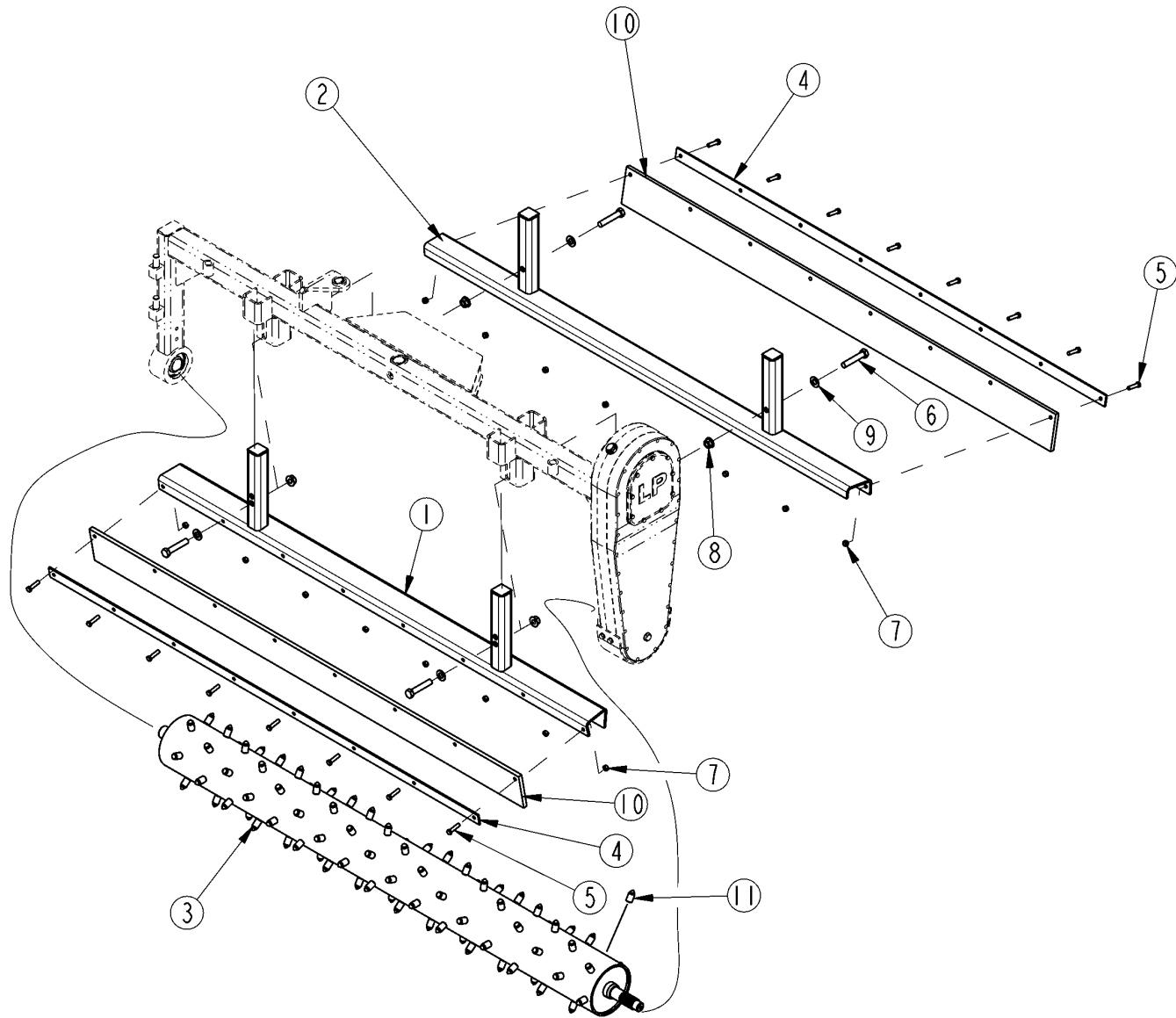
21380

Material Control Blades and Bar Roller**Applies to SR2572**

Ref	Part No.	Part Description	Comments	Revision
	dwg21380	Drawing Image Number		
1.	321-011H	MAT'L CONTROL WELDMENT	Front	
1.	321-011H82	MAT'L CONTROL WELDMENT ORANGE		
2.	321-037H	BAR ROLLER		
3.	321-041H	MAT'L CNTRL WELD - BAR	Rear	
3.	321-041H82	MAT'L CNTRL WELD - BAR ORANGE		
4.	321-074D	MATERIAL CONTROL CLAMP		
4.	321-074D82	MATERIAL CONTROL CLAMP ORANGE		
5.	802-022C	HHCS 3/8-16X1 1/2 GR5		
6.	802-160C	HHCS 5/8-11X3 1/4 GR5		
7.	803-013C	NUT LOCK 3/8-16 PLT		
8.	803-304C	NUT HEX WHIZ 5/8-11 PLT		
9.	804-021C	WASHER FLAT 5/8 SAE PLT		
10.	817-395C	MATERIAL CONTROL BLADE		

Material Control Blades and Spiked Roller

Applies to SR2572



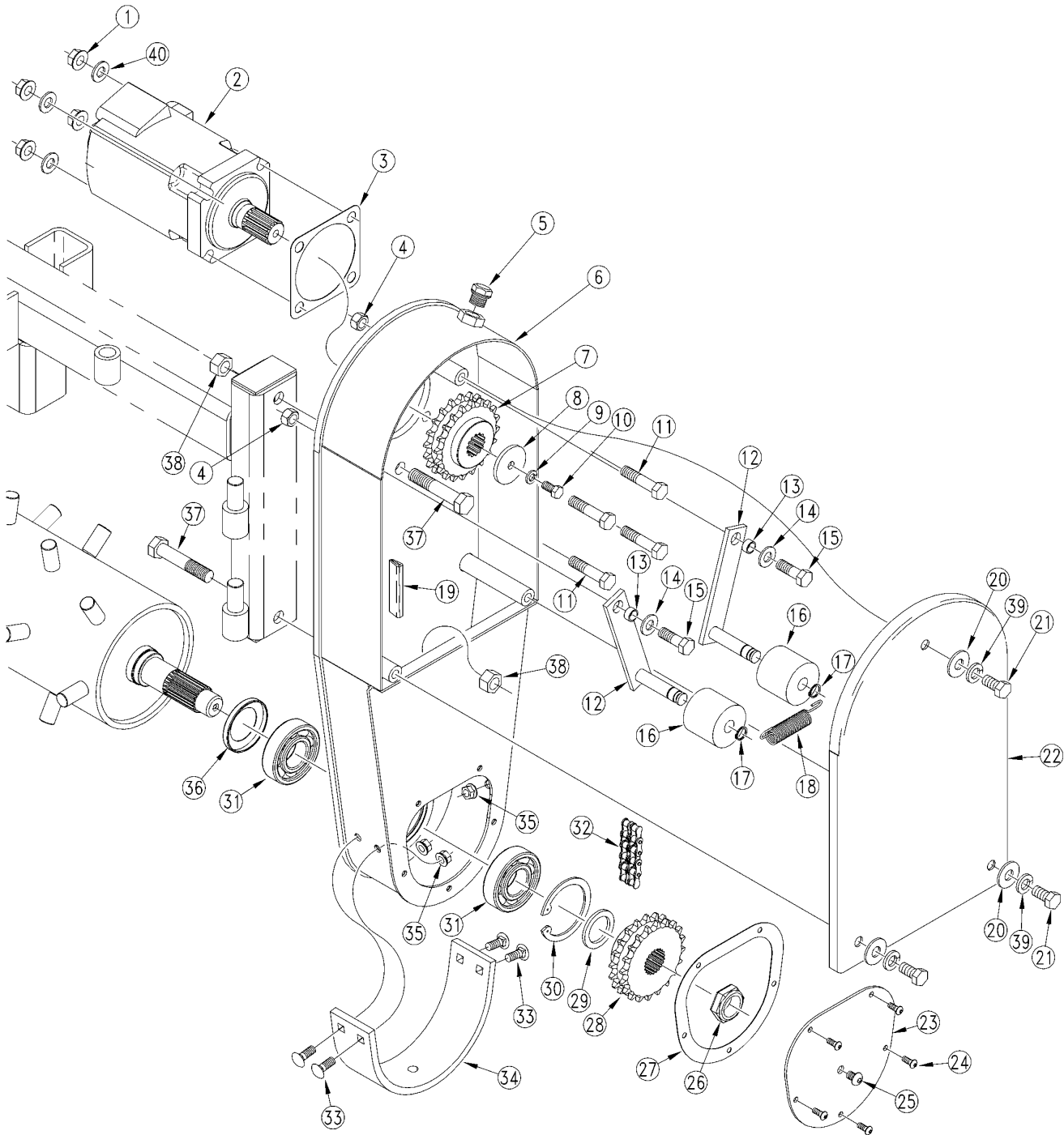
21379

Material Control Blades and Spiked Roller**Applies to SR2572**

Ref	Part No.	Part Description	Comments	Revision
	dwg21379	Drawing Image Number		
1.	321-011H	MAT'L CONTROL WELDMENT	Front	
1.	321-011H82	MAT'L CONTROL WELDMENT ORANGE		
2.	321-040H	MAT'L CNTRL WELD - STUD	Rear	
2.	321-040H82	MAT'L CNTRL WELD - STUD ORANGE		
3.	321-052H	STUD ROLLER WELDMENT		
4.	321-074D	MATERIAL CONTROL CLAMP		
4.	321-074D82	MATERIAL CONTROL CLAMP ORANGE		
5.	802-022C	HHCS 3/8-16X1 1/2 GR5		
6.	802-160C	HHCS 5/8-11X3 1/4 GR5		
7.	803-013C	NUT LOCK 3/8-16 PLT		
8.	803-304C	NUT HEX WHIZ 5/8-11 PLT		
9.	804-021C	WASHER FLAT 5/8 SAE PLT		
10.	817-395C	MATERIAL CONTROL BLADE		
11.	890-767C	3/4 X 1 1/2 CARBIDE TIP STUD	Welding Required For Replacement	

Chain Case

Applies to SR2572



18519

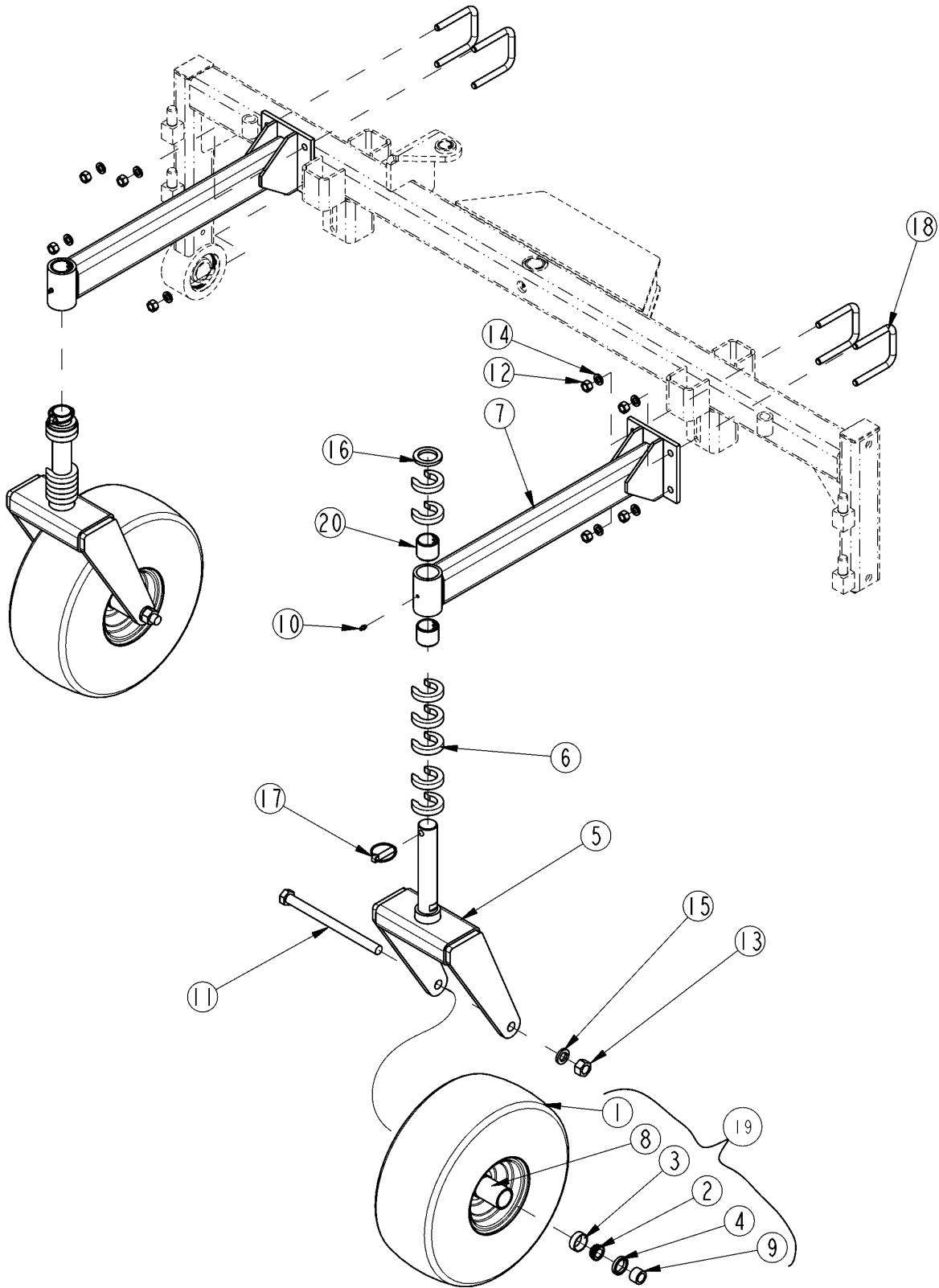
Chain Case

Applies to SR2572

Ref	Part No.	Part Description	Comments	Revision
	dwg18519	Drawing Image Number		
1.	803-169C	NUT HEX FLG. LOCK 1/2-13 PLT.		
2.	810-389C	HYD MOTOR EATON 4000	Refer to "Hitch & Pivot Frame"	
3.	816-319C	SR25 MOTOR GASKET		
4.	803-147C	NUT HEX NYLOCK 1/2-13		
5.	800-066C	DRAIN PLUG 3/4-16 UNF PLATED		
6.	321-016H	SR25 DRIVE CASE WELDMENT		
7.	808-266C	SPKT 50-2 X 22T 12/24X14T SPLN		
8.	321-067D	WASHER FLAT 3/8X2X10 GA		
9.	804-013C	WASHER LOCK SPRING 3/8 PLT		
10.	802-079C	HHCS 3/8-16X1 1/4 GR5		
11.	802-128C	HHCS 1/2-13X2 GR5		
12.	321-020H	SR25 CHAIN TIGHTENER WELDMENT		
13.	321-065D	TUBE RND DOM. 5/8ODX17GWX11/32		
14.	804-016C	WASHER FLAT 1/2 SAE PLT		
15.	802-091C	HHCS 1/2-13X1 1/2 GR5		
16.	817-418C	UHMW 2 1/4ODX21/32IDX2 ROLLER		
17.	800-118C	SNAP RING EXT 5/8 .050 T		
18.	807-183C	SPRING,TENSION .78X3.82X.09W		
19.	816-318C	TRIM, 1/8 RUBBER EDGE(PER FT)	4 feet total	
20.	804-017C	WASHER FLAT 1/2 USS PLT		
21.	802-240C	HHCS 1/2-20X1 GR5		
22.	321-017H	SR25 DRIVE CASE COVER		
23.	321-062D	SR25 CHAIN CASE BTM COVER PLT		
24.	802-677C	HSBHCS 1/4-20X5/8 GR5		
25.	802-678C	HSBHCS 3/8-16X1/2 GR5		
26.	803-153C	NUT LT JAM 1 1/8-12 NYLN INSRT		
27.	816-317C	SR25 CHAIN CASE LOWER GASKET		
28.	808-131C	SPKT 50-2 X 20T 16/32X21T SPLN		
29.	314-209D	UPPER SPLINE SPACER		
30.	800-053C	SNAP RING INT3.523OD N5000-315		
31.	822-082C	BEARING 307		
32.	809-202C	CHAIN #50-2X98P HI TEN ENDLESS		
33.	802-015C	RHSNB 3/8-16X1 GR5		
34.	321-066D	SR25 SKIDSHOE		
35.	803-209C	NUT FLANGE LOCK 3/8-16 PLT		
36.	816-068C	SEAL 1.75 X 2.75 X .313		
37.	802-160C	HHCS 5/8-11X3 1/4 GR5		
38.	803-024C	NUT LOCK 5/8-11 PLT		
39.	804-015C	WASHER LOCK SPRING 1/2 PLT		
40.	804-094C	WASHER FLAT 1/2 HARD ASTM F436		

Gauge Wheels

Applies to SR2572



21382

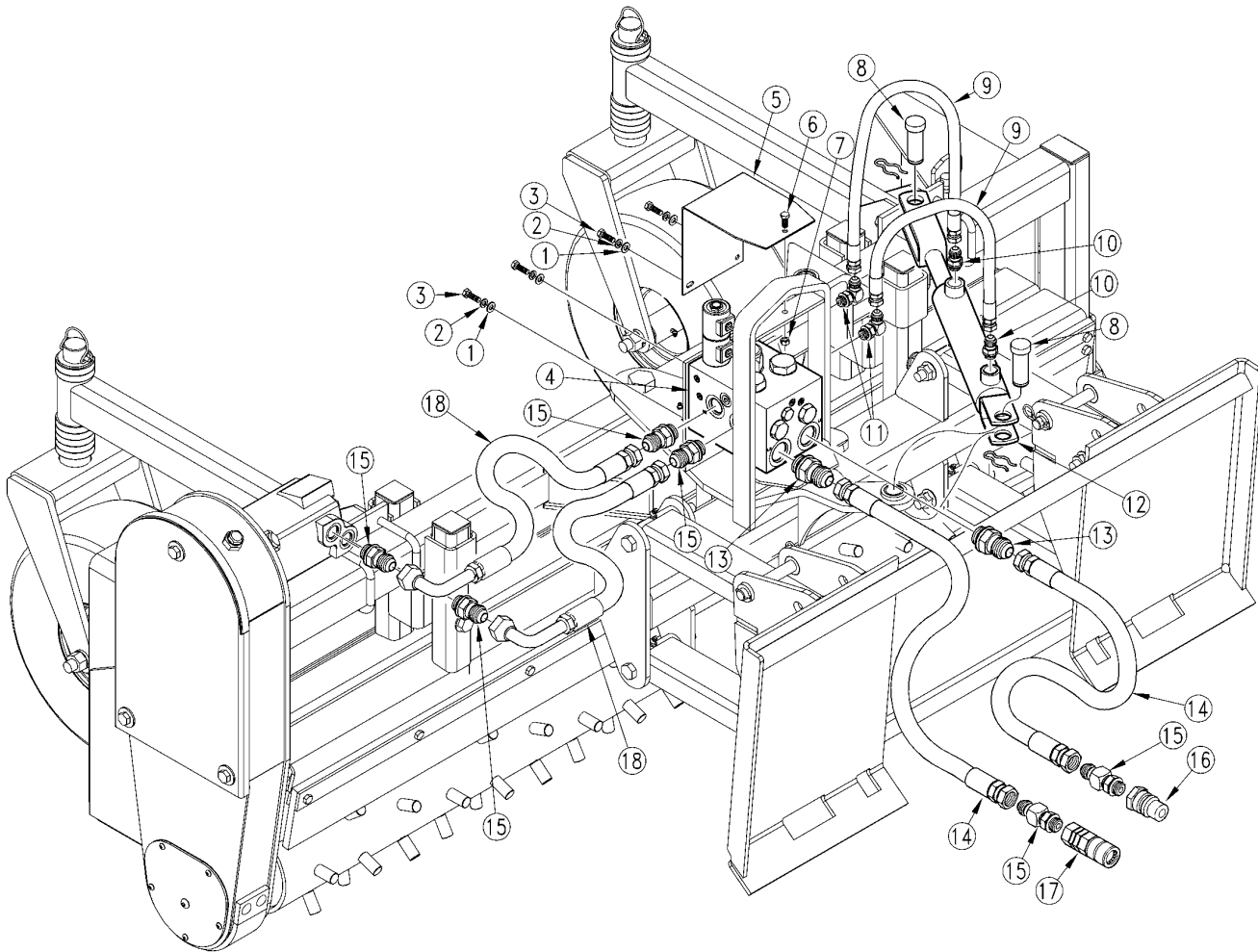
Gauge Wheels

Applies to SR2572

Ref	Part No.	Part Description	Comments	Revision
	dwg21382	Drawing Image Number		
1.	13-304U	CARLISLE TIRE		
2.	30-437	CARLISLE BEARING CONE		
3.	30-438	CARLISLE BEARING CUP		
4.	30-439S2	CARLISLE SEAL		
5.	314-211H	GAUGE WHEEL YOKE WELD	SR2672	
5.	321-024H	SR25 GAUGE WHEEL YOKE WELDMENT	SR2572	
6.	315-733D	C SPACER COLLAR 1/2X1 17/32 ID		
7.	321-023H	GAUGE WHEEL ARM WELDMENT		
8.	50-015S6Y	CARLISLE RIM		
9.	53-170	CARLISLE SPACER		
10.	800-080C	GREASE ZERK 1/4-28 THD FORMING		
11.	802-272C	HHCS 3/4-10X10 GR5		
12.	803-020C	NUT HEX 1/2-13 PLT		
13.	803-027C	NUT HEX 3/4-10 PLT		
14.	804-015C	WASHER LOCK SPRING 1/2 PLT		
15.	804-023C	WASHER LOCK SPRING 3/4 PLT		
16.	804-202C	WASHER 2 1/4X1 17/32X1/4		
17.	805-341C	PIN LYNCH 7/16 X 2	SR2672	
17.	805-065C	PIN WIRE RETAINING 1/4 X 1 3/4	SR2572	
18.	806-066C	U-BOLT 1/2-13 X 3 1/32 X 4		
19.	814-186C	TIRE 16.5 X 6.50-8 2PLY RIB		
20.	890-264C	BUSHING 1 3/4 X 1 1/2 X 1 1/2		

Hydraulic Arrangement

Applies to SR2572



18521

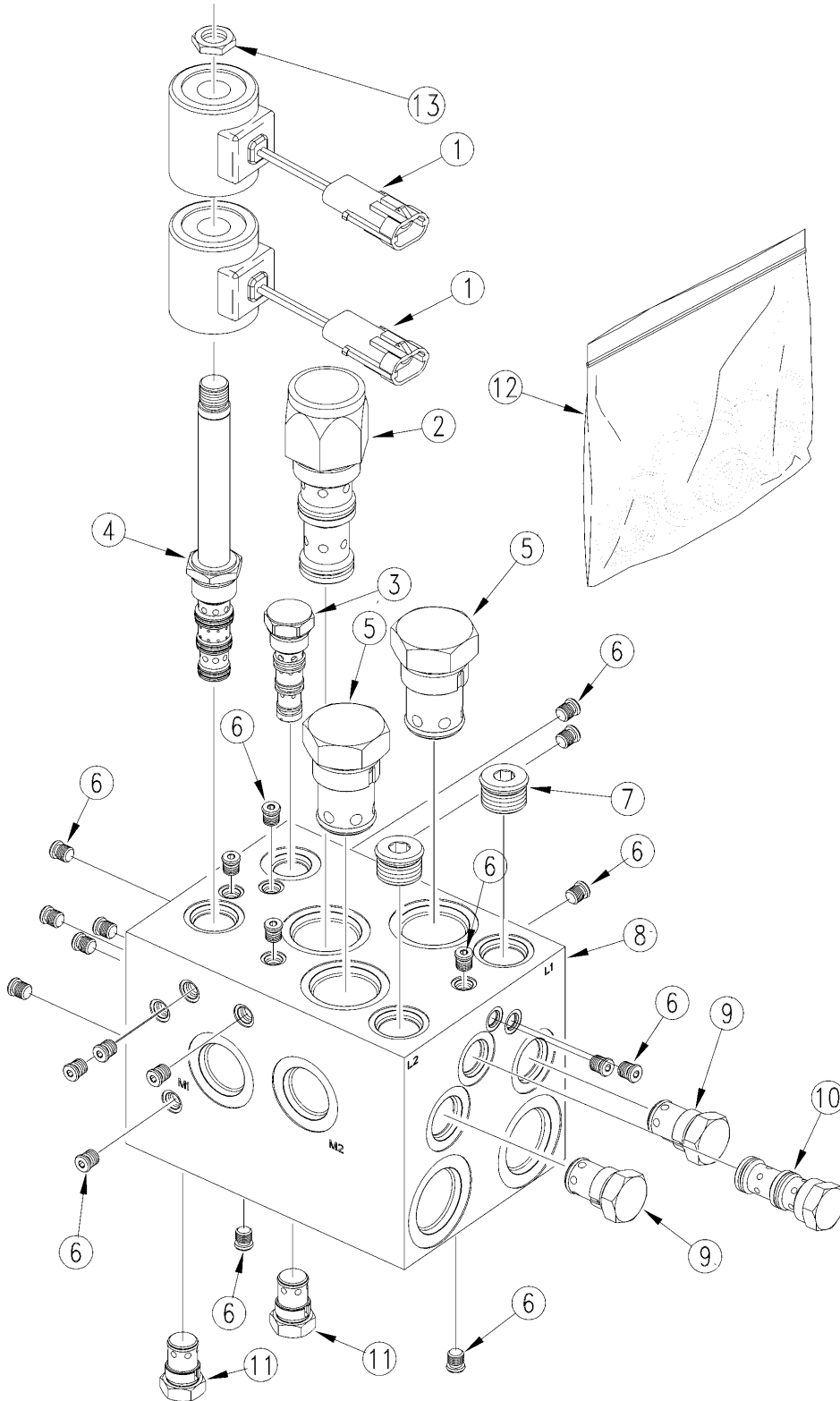
Hydraulic Arrangement

Applies to SR2572

Ref	Part No.	Part Description	Comments	Revision
	dwg18521	Drawing Image Number		
1.	804-036C	WASHER FLAT 5/16 SAE PLT		
2.	804-009C	WASHER LOCK SPRING 5/16 PLT		
3.	802-159C	HHCS 5/16-18X1 GR5		
4.	810-401C	VALVE SR25 BY-PASS		
5.	321-013D	SR25 VALVE GUARD		
6.	802-007C	HHCS 5/16-18X3/4 GR5		
7.	803-011C	NUT LOCK 5/16-18 PLT		
8.	805-004C	PIN CLEVIS 1 X 2 3/4 USABLE LG		
9.	811-762C	HH3/8R2 020 9/16FJIC		
10.	811-151C	AD 9/16MJIC 3/8MNPT		
11.	811-065C	EL 9/16MJIC 9/16MORB		
12.	810-005C	CYL 2X8X1.12 ROD SINGLE ACTING		
13.	811-567C	AD 1 1/16MJIC 1 5/16MORB		
14.	811-742C	HH5/8R2 059 1 1/16FJIC		
15.	811-408C	AD 1 1/16MORB 1 1/16MJIC		
16.	811-744C	CP 1 1/16FORB MALE QUICK		
17.	811-745C	CP 1 1/16FORB FEMALE QUICK		
18.	811-743C	HH5/8R2 036 1 1/16FJIC1 (1 90)		

Hydraulic Bypass Valve (810-401C) S/N 430842-)

Applies to SR2572



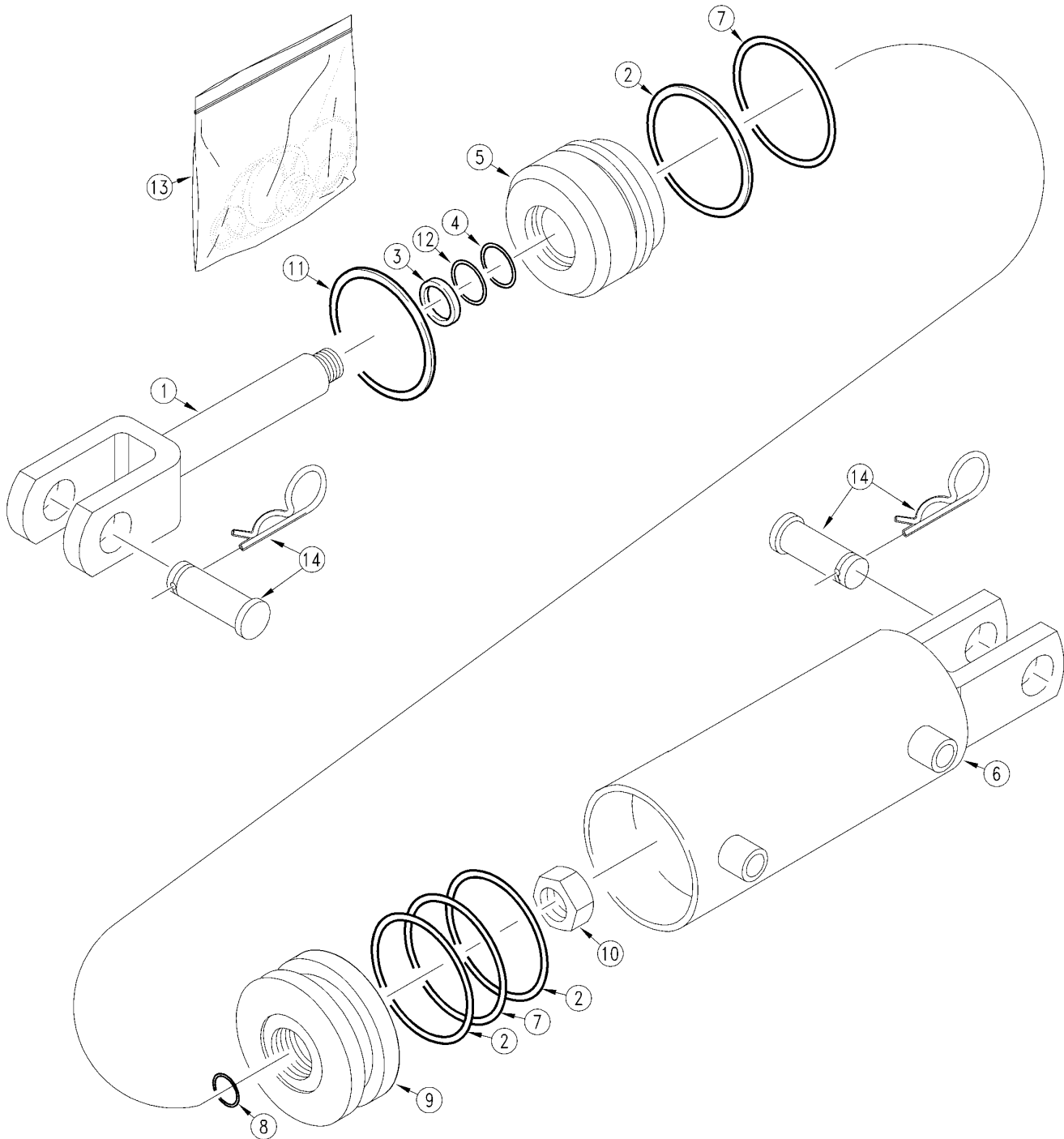
18523

Hydraulic Bypass Valve (810-401C) S/N 430842-)**Applies to SR2572**

Ref	Part No.	Part Description	Comments	Revision
	dwg18523	Drawing Image Number		
	810-401C	Hydraulic Bypass Valve *		
1.	203177-001	EATON 12V DC COIL ASSEMBLY		
2.	203523-001	EATON RELIEF VALVE		
3.	DPC2-8U-A-25-00	EATON DUAL PILOT OPER CHCK VLV		
3.	203169-000	RPBY DPC2-8U-A-25-00		
4.	112388-000	EATON SD STEM 4W3P OP CNT SLND		
4.	112358-000	RPBY 112388-000		
5.	02-113154	EATON PRIORITY FLW REGLTR BYPS		Rev. 2
5.	203925-001	RPBY 02-113154		Rev 1; Use up stock
6.	16335-102	EATON ZERO LEAK GOLD FITTING		
7.	16335-110	EATON ZERO LEAK GOLD FITTING		
8.	112387-000	EATON MANIFOLD		
9.	202366-000	EATON CHECK VALVE		
10.	202417-000	EATON SHUTTLE VALVE		
11.	203220-000	EATON CHECK VALVE ASSEMBLY		
12.	613-0273-900	EATON SEAL KIT (FOR 810-401C)		
13.	565558	EATON NUT		

Hydraulic Cylinder (810-005C)

Applies to SR2572



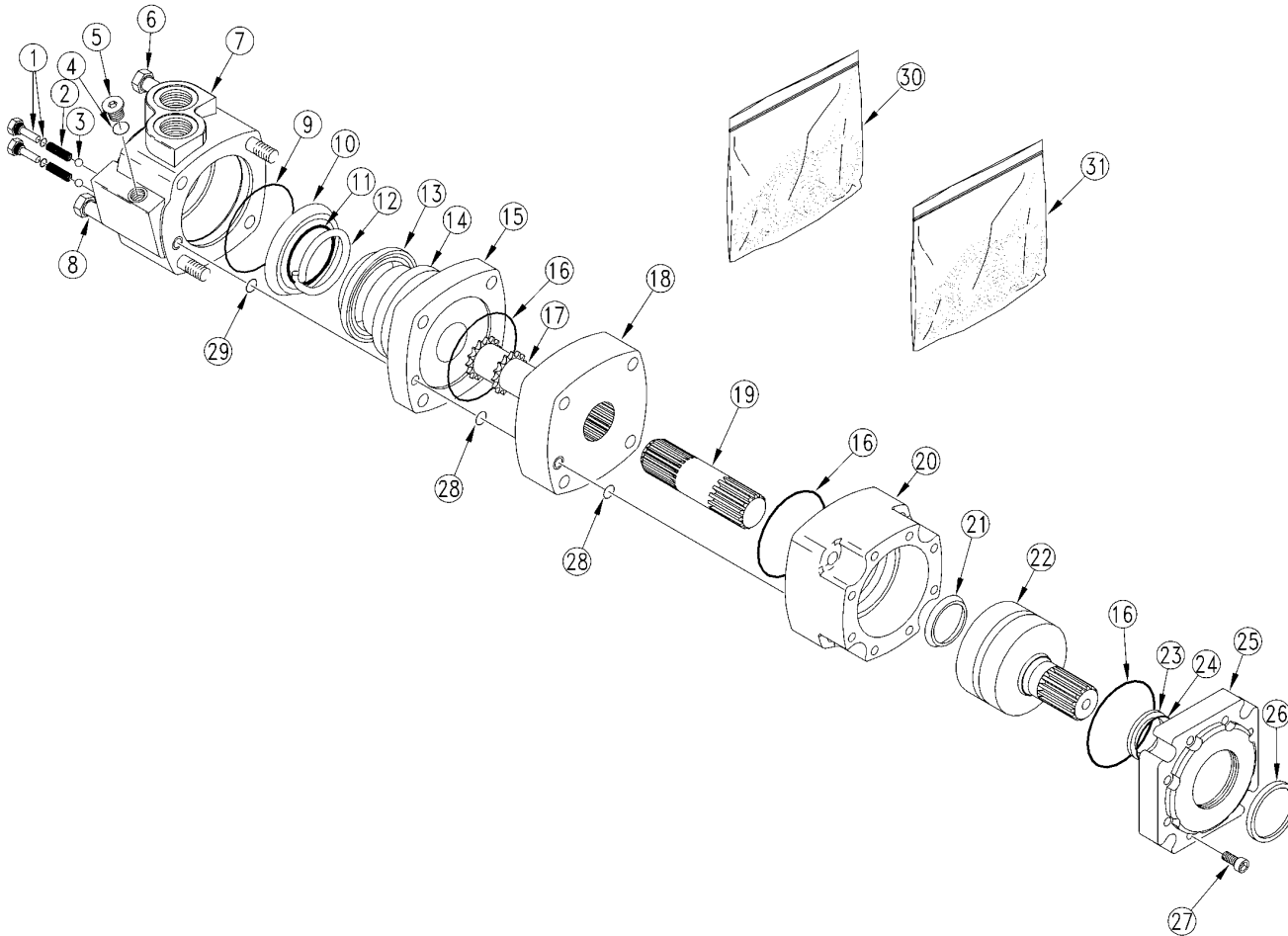
14078

Hydraulic Cylinder (810-005C)**Applies to SR2572**

Ref	Part No.	Part Description	Comments	Revision
	dwg14078	Drawing Image Number		
	810-005C	CYL 2X8X1.12 ROD SINGLE ACTING *		
1.	A-2526	EGY PISTON ROD		
2.		BACK-UP RING	Available in Seal Kit #13 Only.	
3.		WIPER ROD	Available in Seal Kit #13 Only.	
4.		O-RING 1 1/8" ID X 1 3/8" OD	Available in Seal Kit #13 Only.	
5.	A-1906	EGY PISTON ROD GUIDE		
6.	B-988	EGY CYLINDER BODY		
7.		O-RING 1 5/8" ID X 2" OD	Available in Seal Kit #13 Only.	
8.		O-RING 3/4" ID X 7/8" OD	Available in Seal Kit #13 Only.	
9.	A-1845	EGY PISTON		
10.	82464	EGY 7/8-14UNF REG HEX LOCK NUT		
11.	83198	EGY RETAINER RING INTERNAL		
12.		BACK-UP RING 1 3/8" OD	Available in Seal Kit #13 Only.	
13.	810-012C	CYL SEAL KIT 2 X 8 (ENERGY)		
14.	805-004C	PIN CLEVIS 1 X 2 3/4 USABLE LG		

Hydraulic Motor (810-389C)

Applies to SR2572



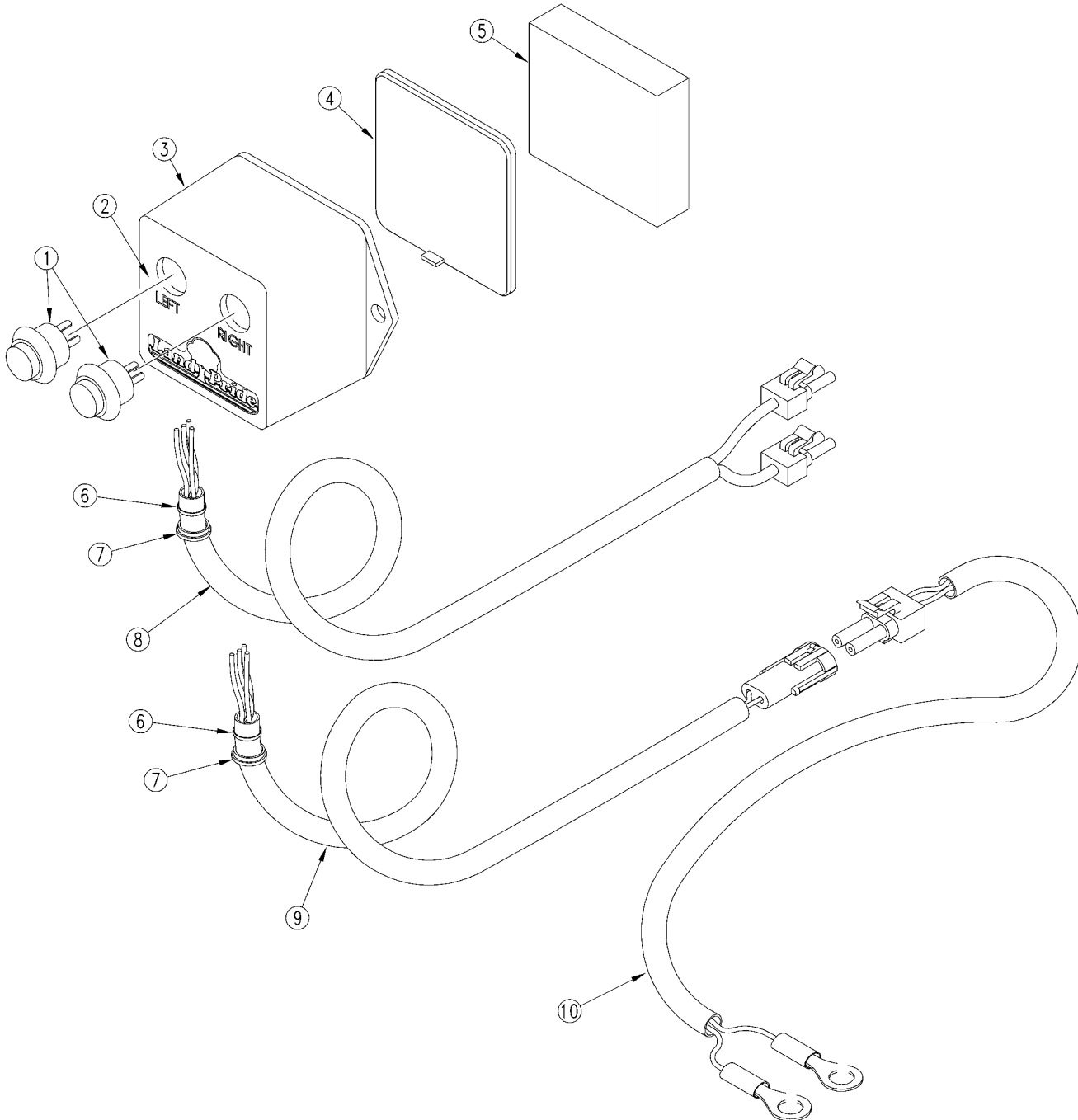
18524

Hydraulic Motor (810-389C)**Applies to SR2572**

Ref	Part No.	Part Description	Comments	Revision
	dwg18524	Drawing Image Number		
	810-389C	Hydraulic Motor *		
1.	8350-000	EATON PLUG SUB-ASSY		
2.	6464-000	EATON SPRING COMPRESSION		
3.	18026-000	EATON BALL STEEL		
4.		EATON O-RING	Found in seal kit item #30	
5.	9072-003	EATON PLUG SUB-ASSY		
6.	14386-007	EATON SCREW		
7.	23382-003	EATON HOUSING VALVE SUB-ASSY		
8.	14386-005	EATON SCREW		
9.		EATON SEAL	Found in seal kit item #30	
10.		EATON SEAL OUTER	Found in seal kit item #30	
11.		EATON SEAL INNER	Found in seal kit item #30	
12.	6203-000	EATON SPRING COMPRESSION		
13.	21316-000	EATON BALANCING RING SUB-ASSY		
14.	8500-000	EATON VALVE		
15.	8504-000	EATON PLATE VALVE		
16.		EATON SEAL	Found in seal kit item #30 or #31	
17.	8510-000	EATON DRIVE VALVE		
18.	8464-005	EATON GEROLER SUB-ASSEMBLY		
19.	21372-003	EATON DRIVE MAIN		
20.	23170-002	EATON HOUSING BEARING		
21.		EATON SEAL SHAFT FACE	Found in seal kit item #31	
22.	23310-003	EATON SHAFT SUB-ASSEMBLY		
23.		EATON SEAL	Found in seal kit item #31	
24.		EATON RING BACKUP	Found in seal kit item #31	
25.	23171-002	EATON RETAINER FRONT		
26.		EATON SEAL EXCLUSION	Found in seal kit item #31	
27.	16292-100	EATON SCREW CAP		
28.		EATON SEAL	Found in seal kit item #30	
29.		EATON SEAL	Found in seal kit item #30	
30.	61234-000	EATON REAR SEAL KIT (810-389C)		
31.	61281-000	EATON SHAFT SEAL KIT (810-389C)		

Switch & Wire Harness (823-183C)

Applies to SR2572



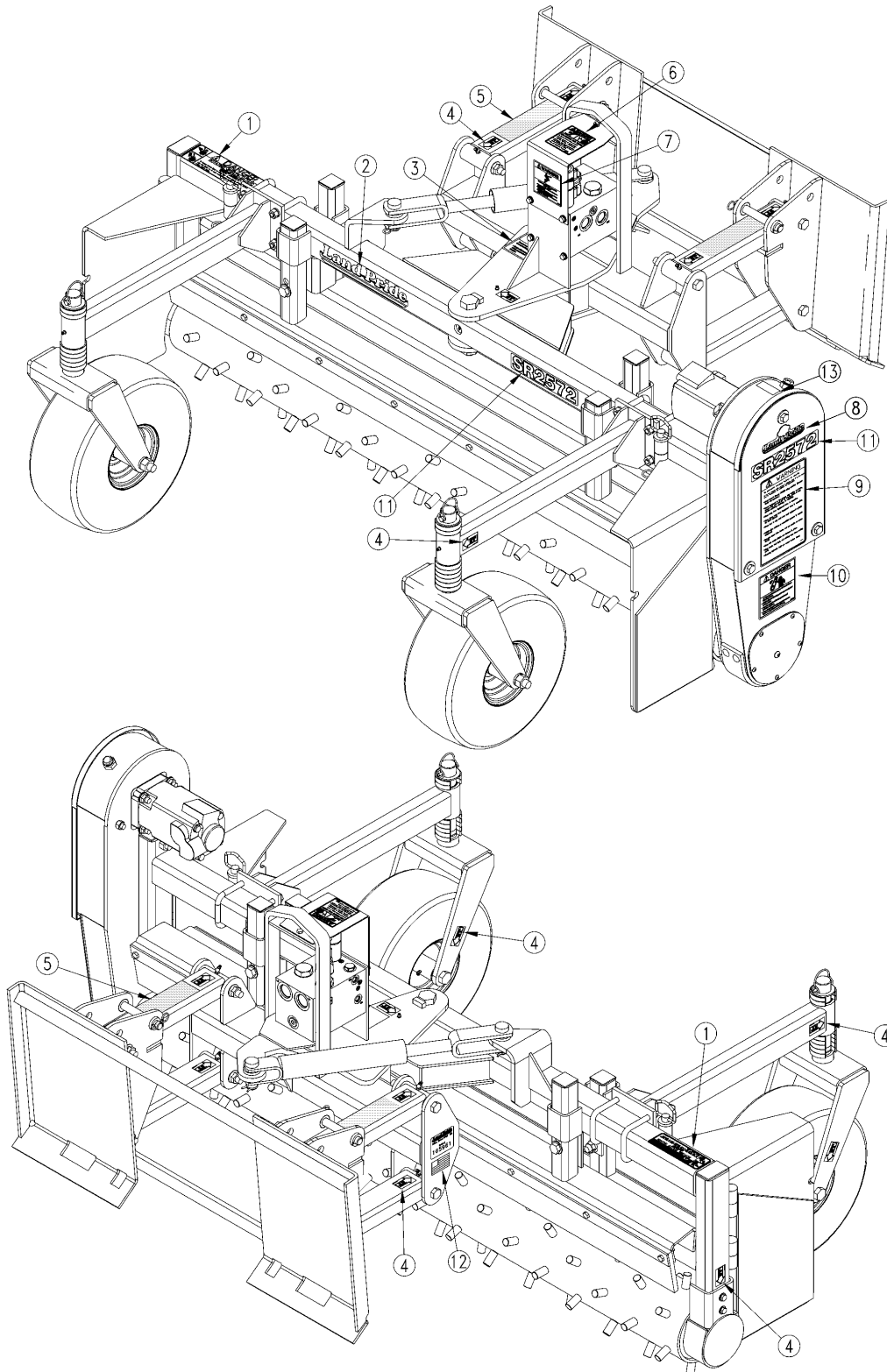
18537

Switch & Wire Harness (823-183C)**Applies to SR2572**

Ref	Part No.	Part Description	Comments	Revision
	dwg18537 823-183C	Drawing Image Number SWITCH & WIRE HARNESS *		
1.	250-105	FASSE SW PB SPST MOM GRY RAISD		
2.	232-958	FASSE DECAL LANDPRIDE		
3.	319-817	FASSE ENCL DRL 251030 4X1/2		
4.	251-031	FASSE ENCLOSED COVER 2X2		
5.	219-004	FASSE MAGNET CERAMIC 2X2X.5		
6.	214-002	FASSE CABLE TIE BLACK 7"		
7.	259-001	FASSE GROMMET .5000D SNAP		
8.	320-048	FASSE HRN 400N 16G 2X2 WPT/9.5		
9.	320-046	FASSE HRNES 200N 16GA 2YPT/1.5		
10.	320-045	FASSE HRNES 200N 16GA 2YPT/9		

Label Placement SR25

Applies to SR2572



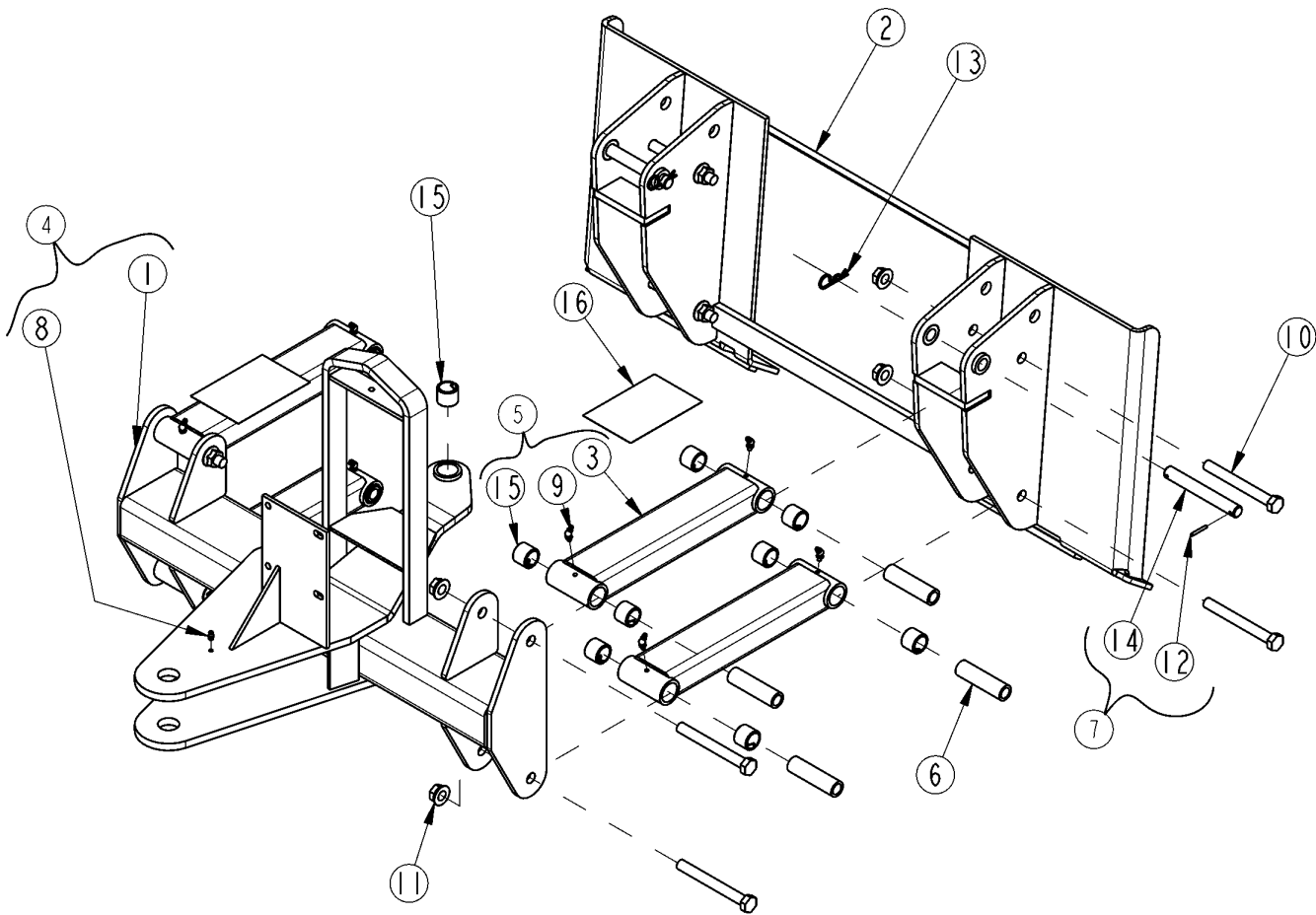
18522

Label Placement SR25**Applies to SR2572**

Ref	Part No.	Part Description	Comments	Revision
	dwg18522	Drawing Image Number		
	321-009A	SR25 SERIES DECAL BUNDLE		
	321-010A	SAFETY DECAL BUNDLE		
		*		
1.	818-254C	DECAL DANGER ROTATING ROLLER		
2.	818-897C	DECAL LANDPRIDE 10" - BROWN		
3.	838-112C	DECAL DANGER PINCHING		
4.	818-138C	DECAL GREASE EVERY 25 HOURS		
5.	990-085R	3M CONFORM. ANTI-SLIP 4" WIDE		
6.	818-339C	DECAL WARNING HIGH PRESSUR SML		
7.	838-107C	DECAL DANGER THROWN OBJECT		
8.	818-896C	DECAL LP W/TREE 6" - 2 COLOR		
9.	838-106C	DECAL WARNING CRUSH ROCK RAKE		
10.	838-111C	DECAL DANGER MOVING PARTS		
11.	838-105C	DECAL SR2572-BROWN		
12.	818-190C	DECAL FLAG		
13.	838-415C	DECAL SHELL ALVANIA EP 00		

Hitch and Pivot Frame

Applies to SR2672, SR2690



21376

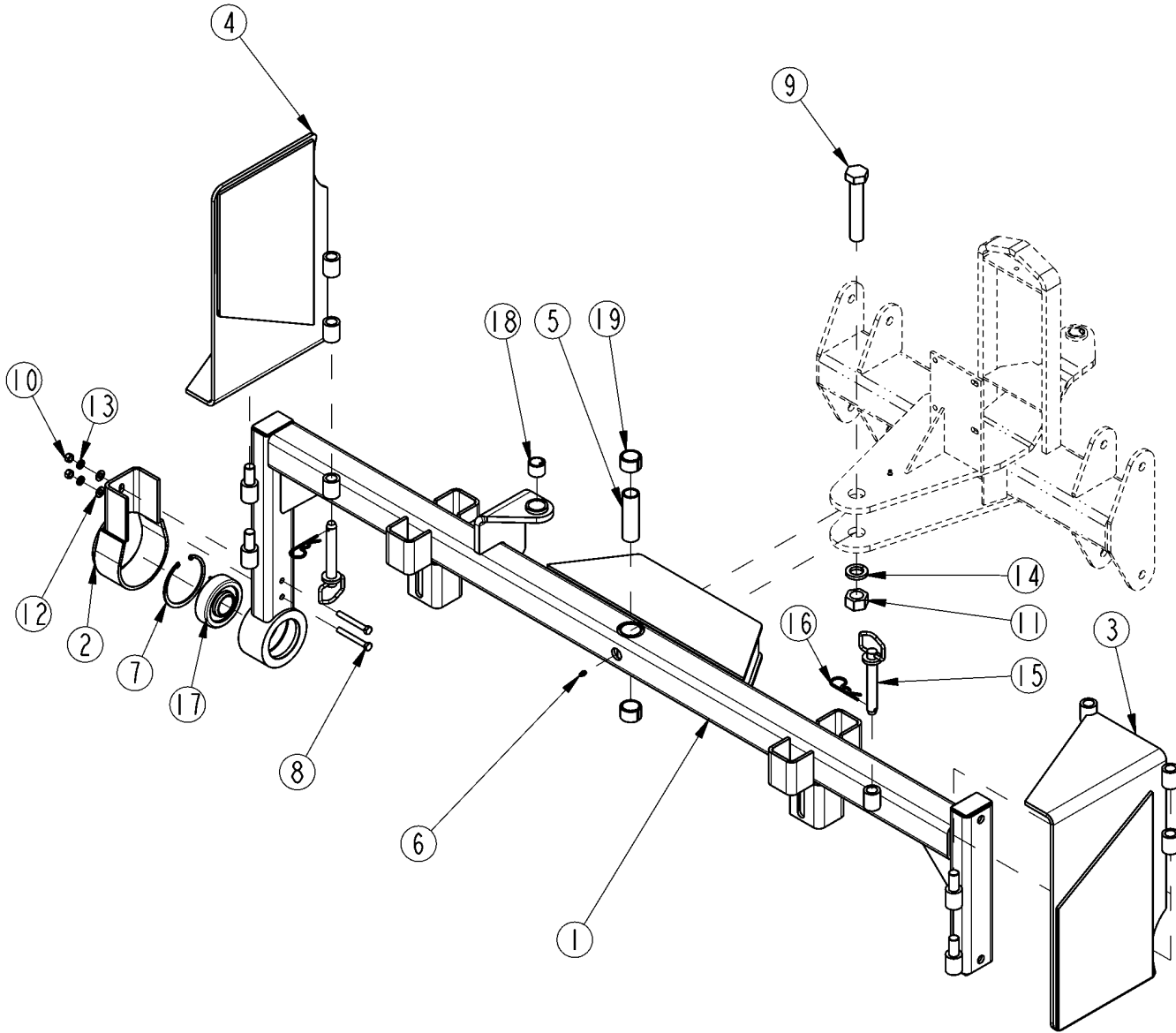
Hitch and Pivot Frame

Applies to SR2672, SR2690

Ref	Part No.	Part Description	Comments	Revision
	dwg21376	Drawing Image Number		
1.	321-001H	PARALLEL ARM PIVOT WLDMT		
1.	321-001H82	PARALLEL ARM PIVOT WMT ORANGE		
2.	321-002H	HITCH WLDMT		
2.	321-002H82	HITCH WLDMT ORANGE		
3.	321-003H	UPPER PARALLEL ARM WLDMT		
3.	321-003H82	UPPER PARALLEL ARM WMT ORANGE		
4.	321-005K	PIVOT ASSEMBLY		
5.	321-008S	UPPER PARALLEL ARM ASSY		
6.	321-011D	PIVOT BUSHING		
7.	321-036S	PIN 3/4 OD X 5 1/8 USABLE ASSY		
8.	800-080C	GREASE ZERK 1/4-28 THD FORMING		
9.	800-136C	ZERK 1/4-28 X 45 DEG SELF-TAP		
10.	802-254C	HHCS 5/8-11X5 1/2 GR5		
11.	803-263C	NUT HEX FLANGE LOCK 5/8-11 PLT		
12.	805-068C	PIN ROLL 5/32 X 1 1/4		
13.	805-143C	PIN HAIR COTTER .120 PLT		
14.	805-300C	PIN 3/4 OD X 5 1/8 USABLE		
15.	890-005C	BUSHING CYL 1 1/4 X 1 X 1		
16.	990-085R	3M CONFORM. ANTI-SLIP 4" WIDE (Per FT.)	.5 FT. Required per Side	

Main Frame

Applies to SR2672



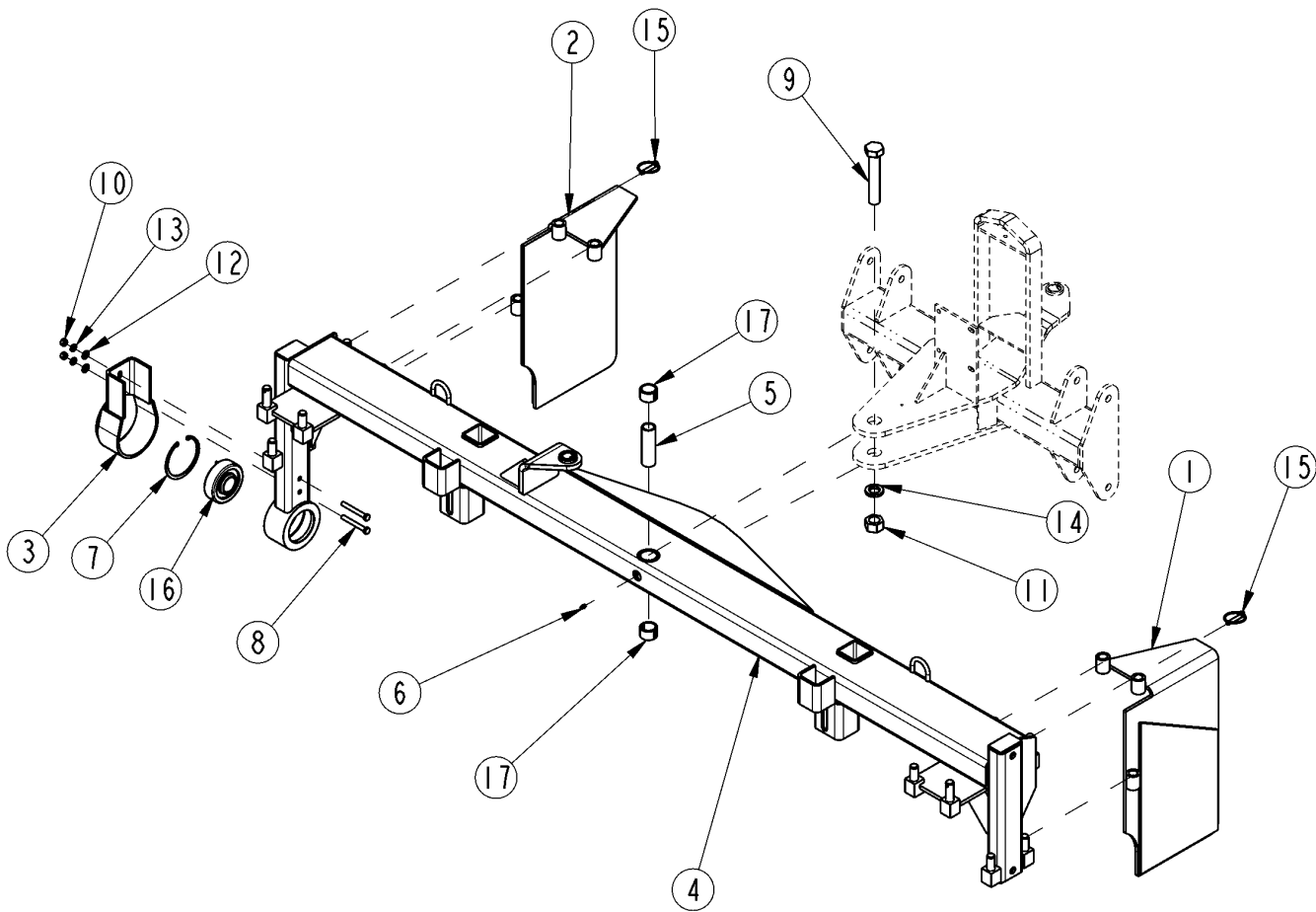
21378

Main Frame**Applies to SR2672**

Ref	Part No.	Part Description	Comments	Revision
	dwg21378	Drawing Image Number		
1.	321-012H	MAIN FRAME WELDMENT		
1.	321-012H82	MAIN FRAME WELDMENT ORANGE		
2.	321-014H	SKID SHOE		
2.	321-014H82	SKID SHOE ORANGE		
3.	321-021H	LH SIDE PLATE WELDMENT		
3.	321-021H82	LH SIDE PLATE WELDMENT ORANGE		
4.	321-022H	RH SIDE PLATE WELDMENT		
4.	321-022H82	RH SIDE PLATE WELDMENT ORANGE		
5.	321-063D	TUBE RND DOM. 1.25ODX11GWX4.06		
6.	800-080C	GREASE ZERK 1/4-28 THD FORMING		
7.	800-309C	SNAP RING INT 4.107 OD .120W		
8.	802-024C	HHCS 3/8-16X3 GR5		
9.	802-205C	HHCS 1-8X5 1/2 GR5		
10.	803-014C	NUT HEX 3/8-16 PLT		
11.	803-031C	NUT HEX 1-8 PLT		
12.	804-012C	WASHER FLAT 3/8 SAE PLT		
13.	804-013C	WASHER LOCK SPRING 3/8 PLT		
14.	804-027C	WASHER LOCK SPRING 1 PLT		
15.	805-081C	PIN HITCH 3/4 X 4 3/8		
16.	805-088C	PIN, HAIR COTTER 3/16 WIRE DIA		
17.	822-182C	BRG SPHERE 1 1/2 ID W/CAST		
18.	890-005C	BUSHING CYL 1 1/4 X 1 X 1		
19.	890-011C	BUSHING SPINDLE 1 1/2X1 1/4X1		

Main Frame

Applies to SR2690



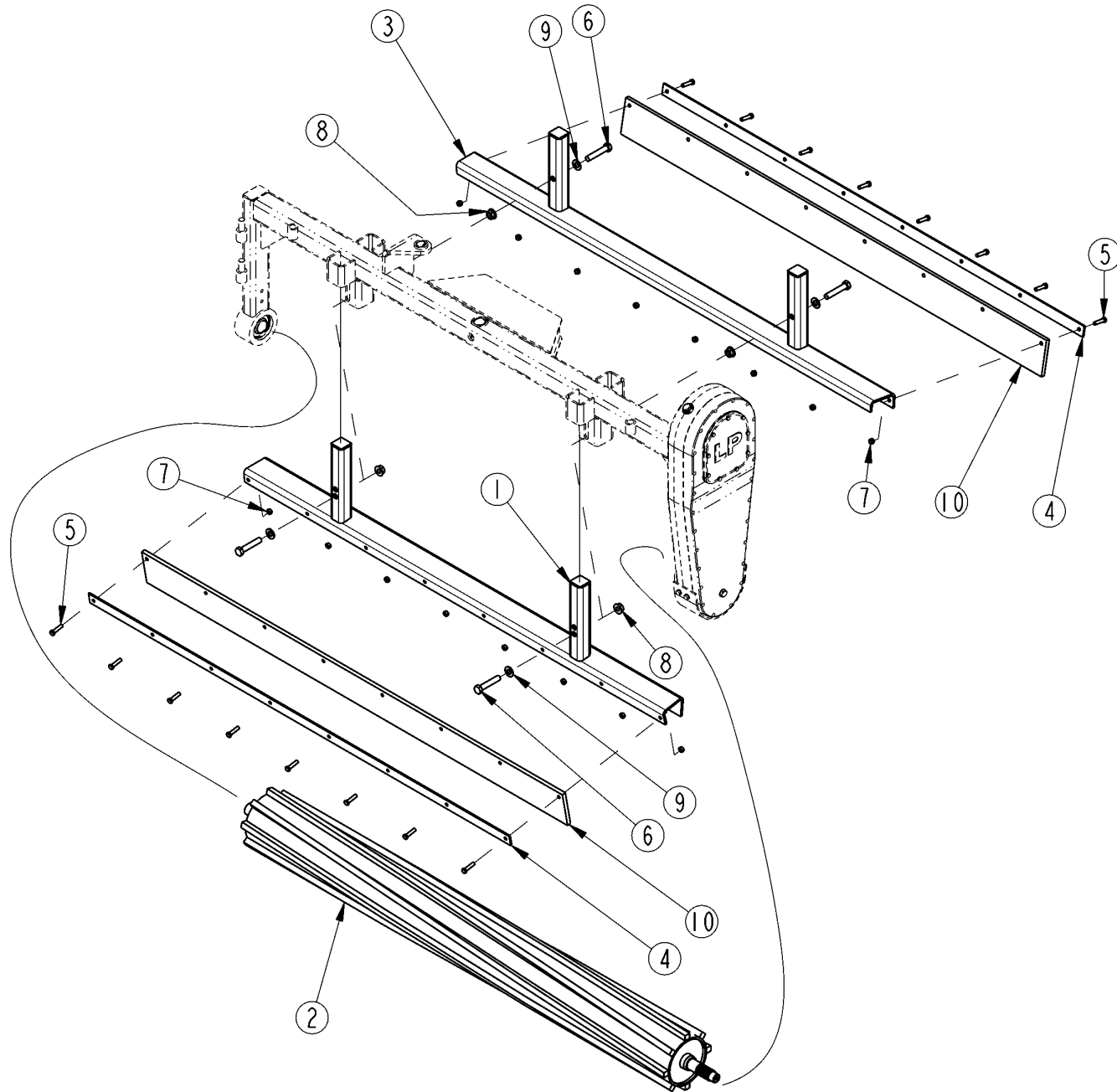
24512

Main Frame**Applies to SR2690**

Ref	Part No.	Part Description	Comments	Revision
	dwg24512	Drawing Image Number		
1.	314-193H	SIDE PLATE WELDMENT RH		
1.	314-193H82	SIDE PLATE WELDMENT RH ORANGE		
2.	314-194H	SIDE PLATE WELDMENT LH		
2.	314-194H82	SIDE PLATE WELDMENT LH ORANGE		
3.	321-014H	SKID SHOE		
3.	321-014H82	SKID SHOE ORANGE		
4.	321-056H	FRAME WELDMENT 2690		
4.	321-056H82	FRAME WELDMENT 2690 ORANGE		
5.	321-063D	TUBE RND DOM. 1.25ODX11GWX4.06		
6.	800-080C	GREASE ZERK 1/4-28 THD FORMING		
7.	800-309C	SNAP RING INT 4.107 OD .120W		
8.	802-024C	HHCS 3/8-16X3 GR5		
9.	802-205C	HHCS 1-8X5 1/2 GR5		
10.	803-014C	NUT HEX 3/8-16 PLT		
11.	803-031C	NUT HEX 1-8 PLT		
12.	804-012C	WASHER FLAT 3/8 SAE PLT		
13.	804-013C	WASHER LOCK SPRING 3/8 PLT		
14.	804-027C	WASHER LOCK SPRING 1 PLT		
15.	805-015C	PIN LINCH 5/16 X 1 3/4		
16.	822-182C	BRG SPHERE 1 1/2 ID W/CAST		
17.	890-011C	BUSHING SPINDLE 1 1/2X1 1/4X1		

Material Control Blades and Bar Roller

Applies to SR2672

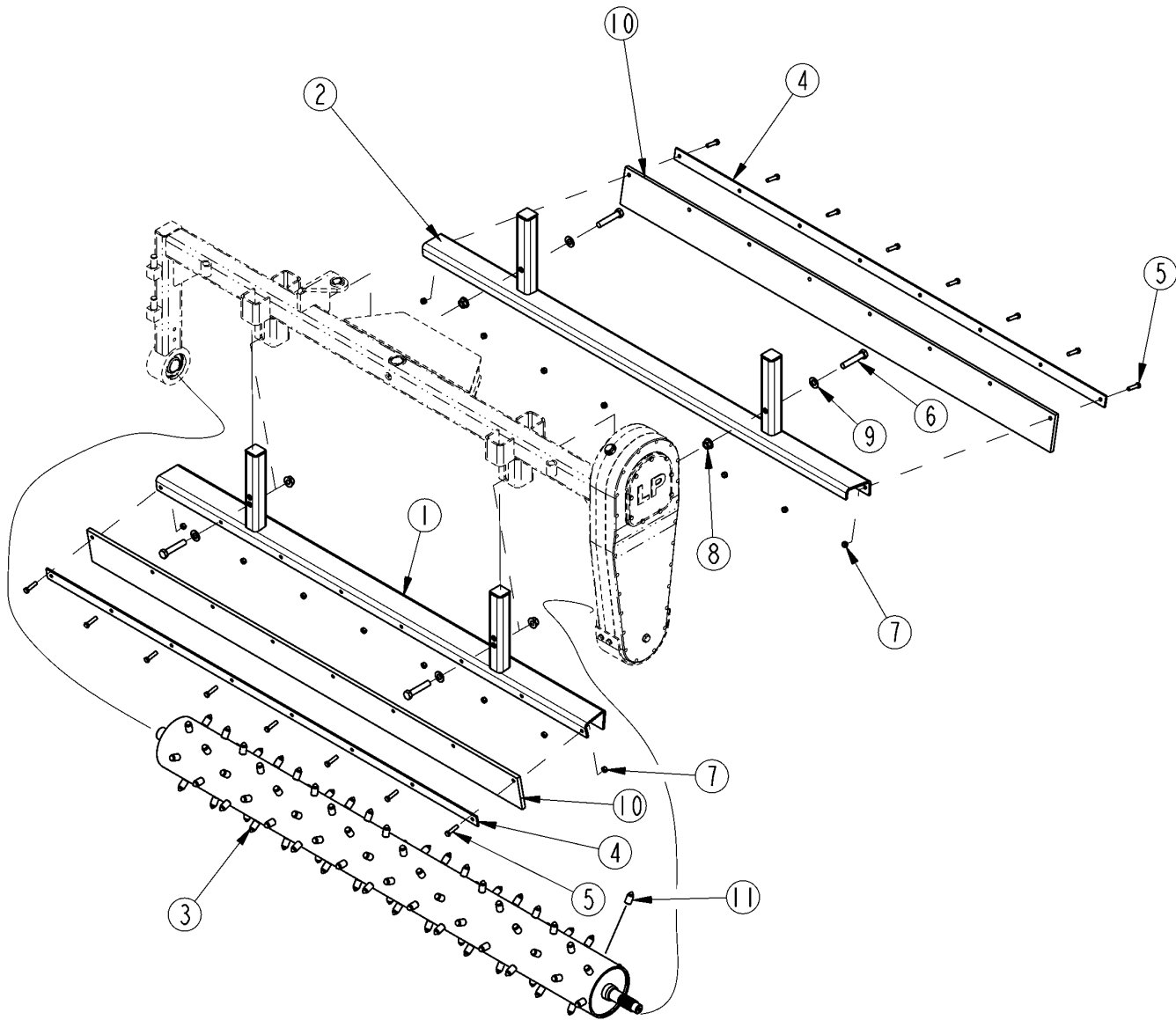


Material Control Blades and Bar Roller**Applies to SR2672**

Ref	Part No.	Part Description	Comments	Revision
	dwg21380	Drawing Image Number		
1.	321-011H	MAT'L CONTROL WELDMENT	Front	
1.	321-011H82	MAT'L CONTROL WELDMENT ORANGE		
2.	321-037H	BAR ROLLER		
3.	321-041H	MAT'L CNTRL WELD - BAR	Rear	
3.	321-041H82	MAT'L CNTRL WELD - BAR ORANGE		
4.	321-074D	MATERIAL CONTROL CLAMP		
4.	321-074D82	MATERIAL CONTROL CLAMP ORANGE		
5.	802-022C	HHCS 3/8-16X1 1/2 GR5		
6.	802-160C	HHCS 5/8-11X3 1/4 GR5		
7.	803-013C	NUT LOCK 3/8-16 PLT		
8.	803-304C	NUT HEX WHIZ 5/8-11 PLT		
9.	804-021C	WASHER FLAT 5/8 SAE PLT		
10.	817-395C	MATERIAL CONTROL BLADE		

Material Control Blades and Spiked Roller

Applies to SR2672



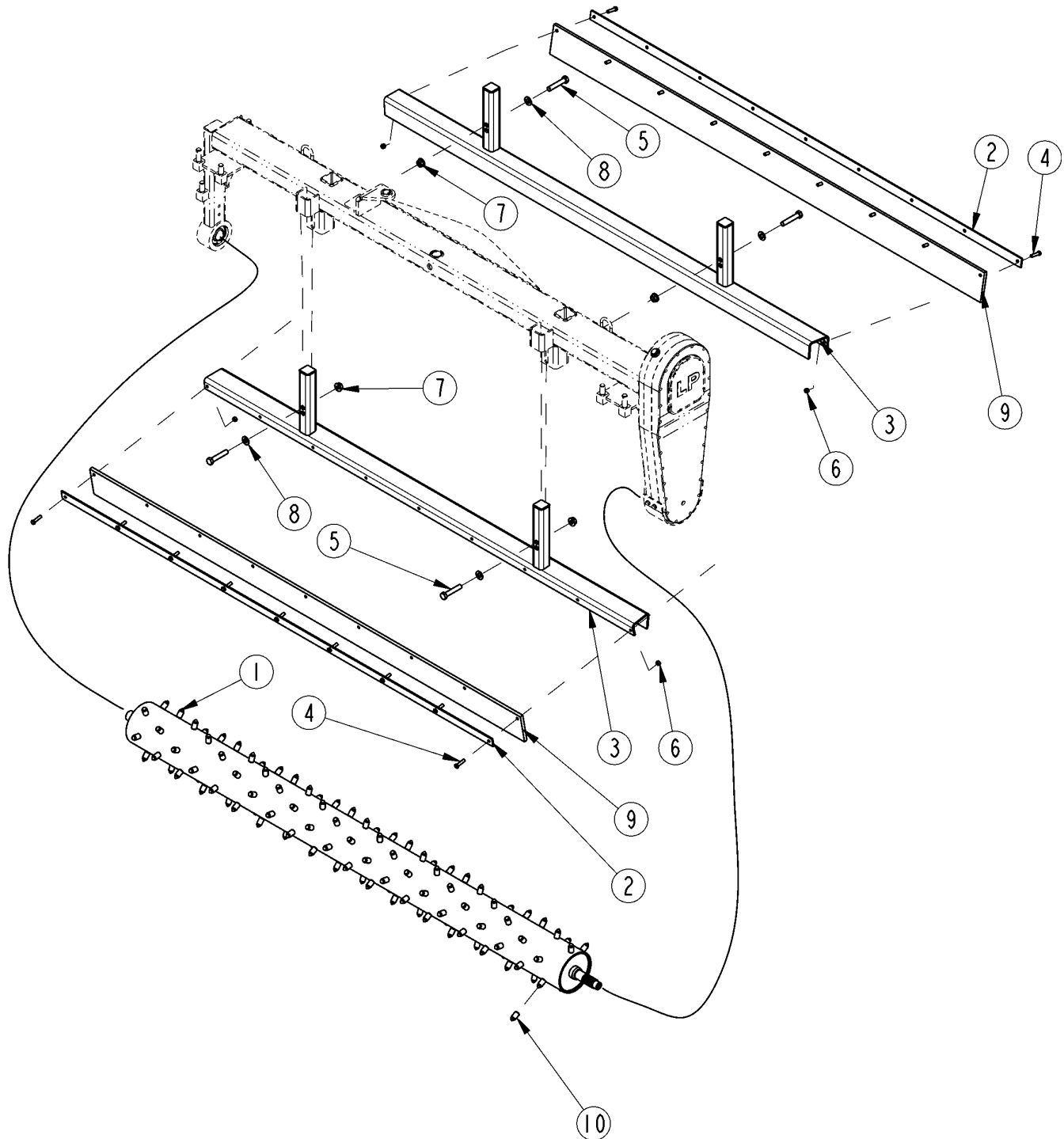
21379

Material Control Blades and Spiked Roller**Applies to SR2672**

Ref	Part No.	Part Description	Comments	Revision
	dwg21379	Drawing Image Number		
1.	321-011H	MAT'L CONTROL WELDMENT	Front	
1.	321-011H82	MAT'L CONTROL WELDMENT ORANGE		
2.	321-040H	MAT'L CNTRL WELD - STUD	Rear	
2.	321-040H82	MAT'L CNTRL WELD - STUD ORANGE		
3.	321-052H	STUD ROLLER WELDMENT		
4.	321-074D	MATERIAL CONTROL CLAMP		
4.	321-074D82	MATERIAL CONTROL CLAMP ORANGE		
5.	802-022C	HHCS 3/8-16X1 1/2 GR5		
6.	802-160C	HHCS 5/8-11X3 1/4 GR5		
7.	803-013C	NUT LOCK 3/8-16 PLT		
8.	803-304C	NUT HEX WHIZ 5/8-11 PLT		
9.	804-021C	WASHER FLAT 5/8 SAE PLT		
10.	817-395C	MATERIAL CONTROL BLADE		
11.	890-767C	3/4 X 1 1/2 CARBIDE TIP STUD	Welding Required For Replacement	

Material Control Blades and Spiked Roller

Applies to SR2690



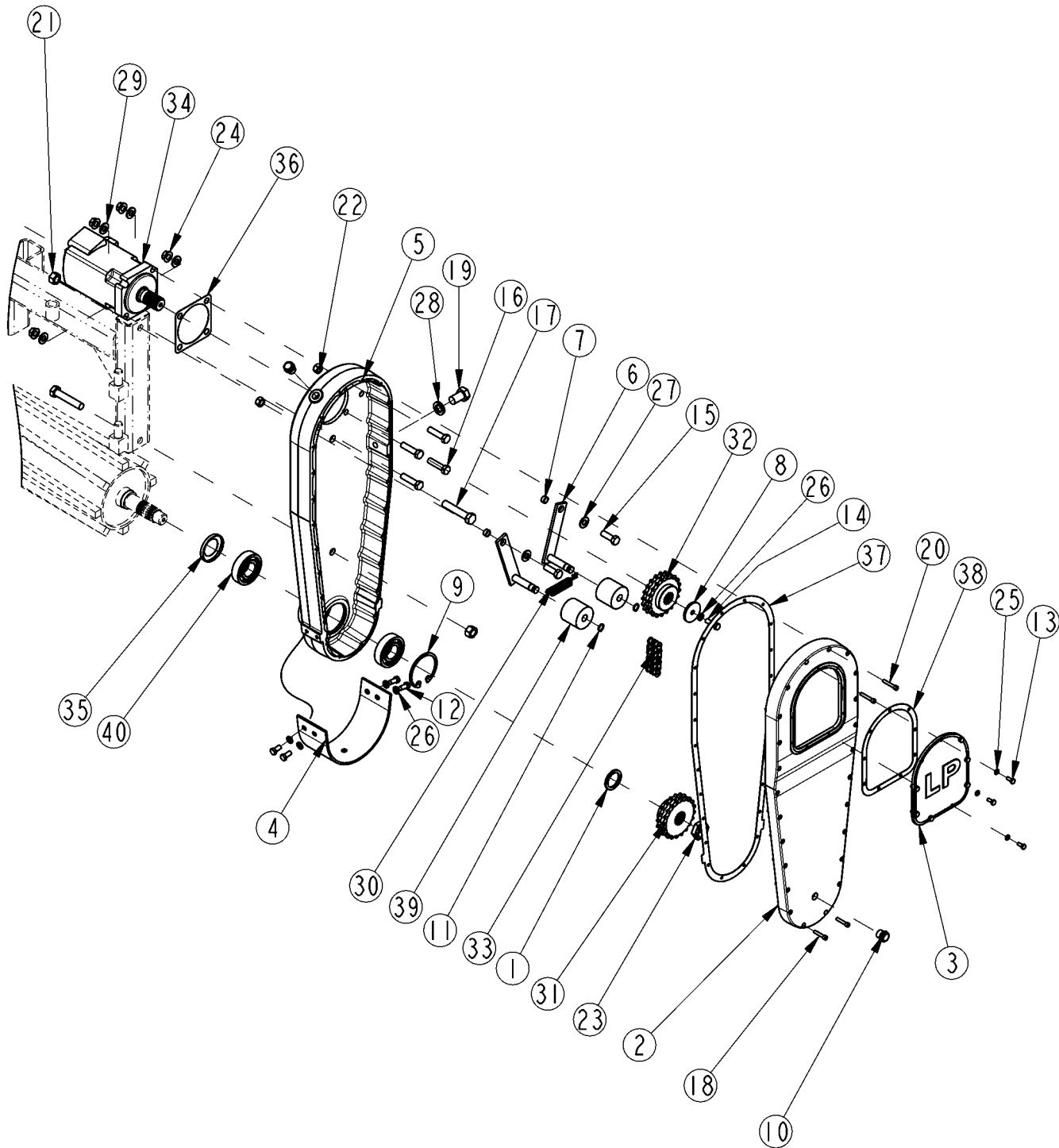
24508

Material Control Blades and Spiked Roller**Applies to SR2690**

Ref	Part No.	Part Description	Comments	Revision
	dwg24508	Drawing Image Number		
1.	314-244H	STUD ROLLER WLDMT 90"		
2.	314-315D	MATERIAL CONTROL CLAMP 90"		
2.	314-315D82	MATL CONTROL CLMP 90" ORANGE		
3.	321-061H	MATL CONTROL WLDMT		
3.	321-061H82	MATL CONTROL WLDMT ORANGE		
4.	802-022C	HHCS 3/8-16X1 1/2 GR5		
5.	802-160C	HHCS 5/8-11X3 1/4 GR5		
6.	803-013C	NUT LOCK 3/8-16 PLT		
7.	803-304C	NUT HEX WHIZ 5/8-11 PLT		
8.	804-021C	WASHER FLAT 5/8 SAE PLT		
9.	817-652C	FLEX MATERIAL CONTROL 90"		
10.	890-767C	3/4 X 1 1/2 CARBIDE TIP STUD	Welding Required For Replacement	

Chain Case

Applies to SR2672, SR2690



21381

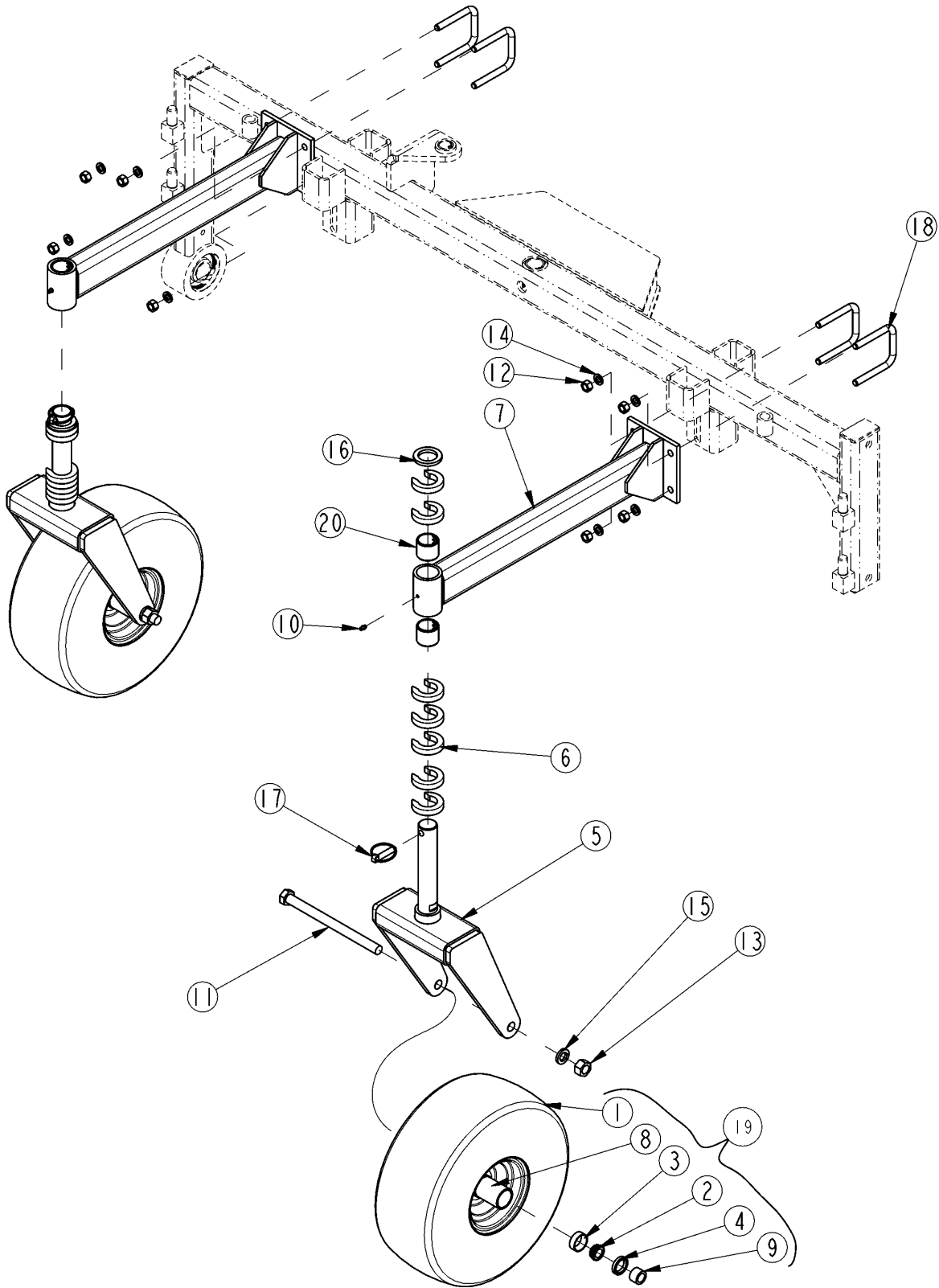
Chain Case

Applies to SR2672, SR2690

Ref	Part No.	Part Description	Comments	Revision
	dwg21381	Drawing Image Number		
1.	314-209D	UPPER SPLINE SPACER		
2.	314-274D	CAST CASE COVER MACHINED		
2.	314-274D82	CAST CASE CVR MACHINED ORANGE		
3.	314-275D	CAST CASE ACCESS MACHINED		
3.	314-275D82	CAST CASE ACCESS MCHND ORANGE		
4.	314-276D	SKID SHOE FOR CAST CHAIN CASE		
4.	314-276D82	SKID SHOE CAST CHN CASE ORANGE		
5.	314-293D	CAST CASE MACHINED		
5.	314-293D82	CAST CASE MACHINED ORANGE		
6.	321-020H	CHAIN TIGHTENER WELDMENT		
7.	321-065D	TUBE RND DOM. 5/8ODX17GWX11/32		
8.	321-067D	WASHER FLAT 3/8X2X10 GA		
9.	800-053C	SNAP RING INT3.523OD N5000-315		
10.	800-066C	DRAIN PLUG 3/4-16 UNF PLATED		
11.	800-118C	SNAP RING EXT 5/8 .050 T		
12.	802-014C	HHCS 3/8-16X3/4 GR5		
13.	802-078C	HHCS 1/4-20X5/8 GR5		
14.	802-079C	HHCS 3/8-16X1 1/4 GR5		
15.	802-091C	HHCS 1/2-13X1 1/2 GR5		
16.	802-128C	HHCS 1/2-13X2 GR5		
17.	802-160C	HHCS 5/8-11X3 1/4 GR5		
18.	802-470C	HSHCS 1/4-20X1 1/4		
19.	802-573C	HHCS 3/4-10X1 1/4 GR5		
20.	802-574C	HSHCS 1/4-20X1 1/2		
21.	803-024C	NUT LOCK 5/8-11 PLT		
22.	803-147C	NUT HEX NYLOCK 1/2-13		
23.	803-153C	NUT LT JAM 1 1/8-12 NYLN INSRT		
24.	803-169C	NUT HEX FLG. LOCK 1/2-13 PLT.		
25.	804-006C	WASHER LOCK SPRING 1/4 PLT		
26.	804-013C	WASHER LOCK SPRING 3/8 PLT		
27.	804-016C	WASHER FLAT 1/2 SAE PLT		
28.	804-023C	WASHER LOCK SPRING 3/4 PLT		
29.	804-094C	WASHER FLAT 1/2 HARD ASTM F436		
30.	807-183C	SPRING,TENSION .78X3.82X.09W		
31.	808-131C	SPKT 50-2 X 20T 16/32X21T SPLN		
32.	808-266C	SPKT 50-2 X 22T 12/24X14T SPLN		
33.	809-202C	CHAIN #50-2X98P HI TEN ENDLESS	SR2672	
33.	809-298C	CHAIN #50-2X98P HI TEN ENDLESS	SR2690	
34.	810-389C	HYD MOTOR EATON 4000	SR2672	
34.	810-561C	HYD MOTOR EATON 4000-310	SR2690	
35.	816-068C	SEAL 1.75 X 2.75 X .313		
36.	816-319C	MOTOR GASKET		
37.	N/A	SIKAFLEX 221 BLACK	S/N 474741+ SR2672	
37.	816-417C	POWER RAKE GASKET	S/N 474740- SR2672	
38.	N/A	SIKAFLEX 221 BLACK	S/N 474741+ SR2672	
38.	816-418C	ACCESS COVER GASKET	S/N 474740- SR2672	
39.	817-418C	UHMW 2 1/4ODX21/32IDX2 ROLLER		
40.	822-082C	BEARING 307		

Gauge Wheels

Applies to SR2672, SR2690



21382

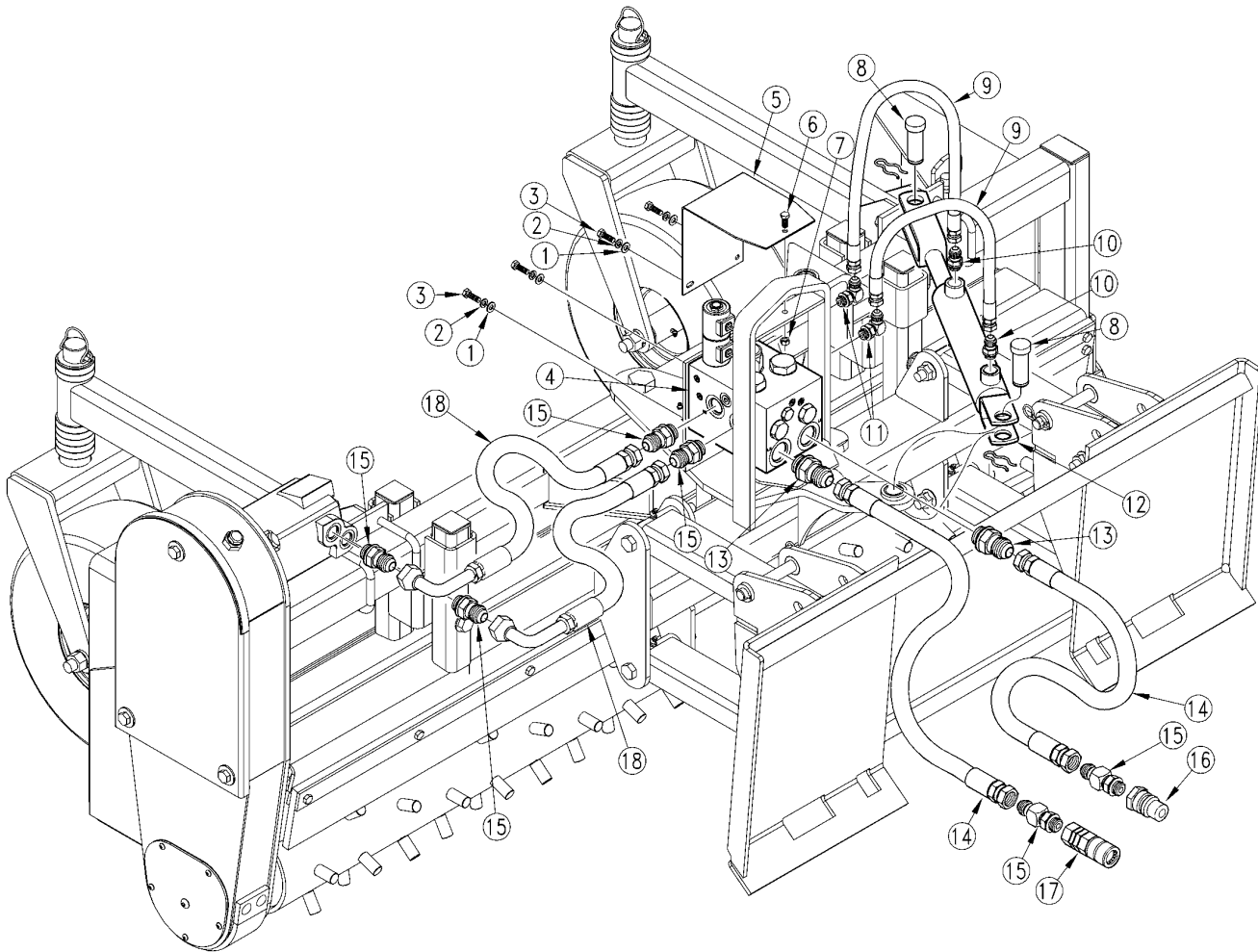
Gauge Wheels

Applies to SR2672, SR2690

Ref	Part No.	Part Description	Comments	Revision
	dwg21382	Drawing Image Number		
1.	13-304U	CARLISLE TIRE		
2.	30-437	CARLISLE BEARING CONE		
3.	30-438	CARLISLE BEARING CUP		
4.	30-439S2	CARLISLE SEAL		
5.	314-211H	GAUGE WHEEL YOKE WELD		
5.	314-211H82	GAUGE WHEEL YOKE WELD ORANGE		
6.	315-733D	C SPACER COLLAR 1/2X1 17/32 ID		
7.	321-023H	GAUGE WHEEL ARM WELDMENT		
7.	321-023H82	GAUGE WHEEL ARM WMT ORANGE		
8.	50-015S6Y	CARLISLE RIM		
9.	53-170	CARLISLE SPACER		
10.	800-080C	GREASE ZERK 1/4-28 THD FORMING		
11.	802-272C	HHCS 3/4-10X10 GR5		
12.	803-020C	NUT HEX 1/2-13 PLT		
13.	803-027C	NUT HEX 3/4-10 PLT		
14.	804-015C	WASHER LOCK SPRING 1/2 PLT		
15.	804-023C	WASHER LOCK SPRING 3/4 PLT		
16.	804-202C	WASHER 2 1/4X1 17/32X1/4		
17.	805-341C	PIN LINCH 7/16 X 2		
18.	806-066C	U-BOLT 1/2-13 X 3 1/32 X 4	SR2672	
18.	806-202C	U-BOLT 1/2-13X3 1/32X7 1/4	SR2690	
19.	814-186C	TIRE 16.5 X 6.50-8 2PLY RIB		
20.	890-264C	BUSHING 1 3/4 X 1 1/2 X 1 1/2		

Hydraulic Arrangement

Applies to SR2672, SR2690



18521

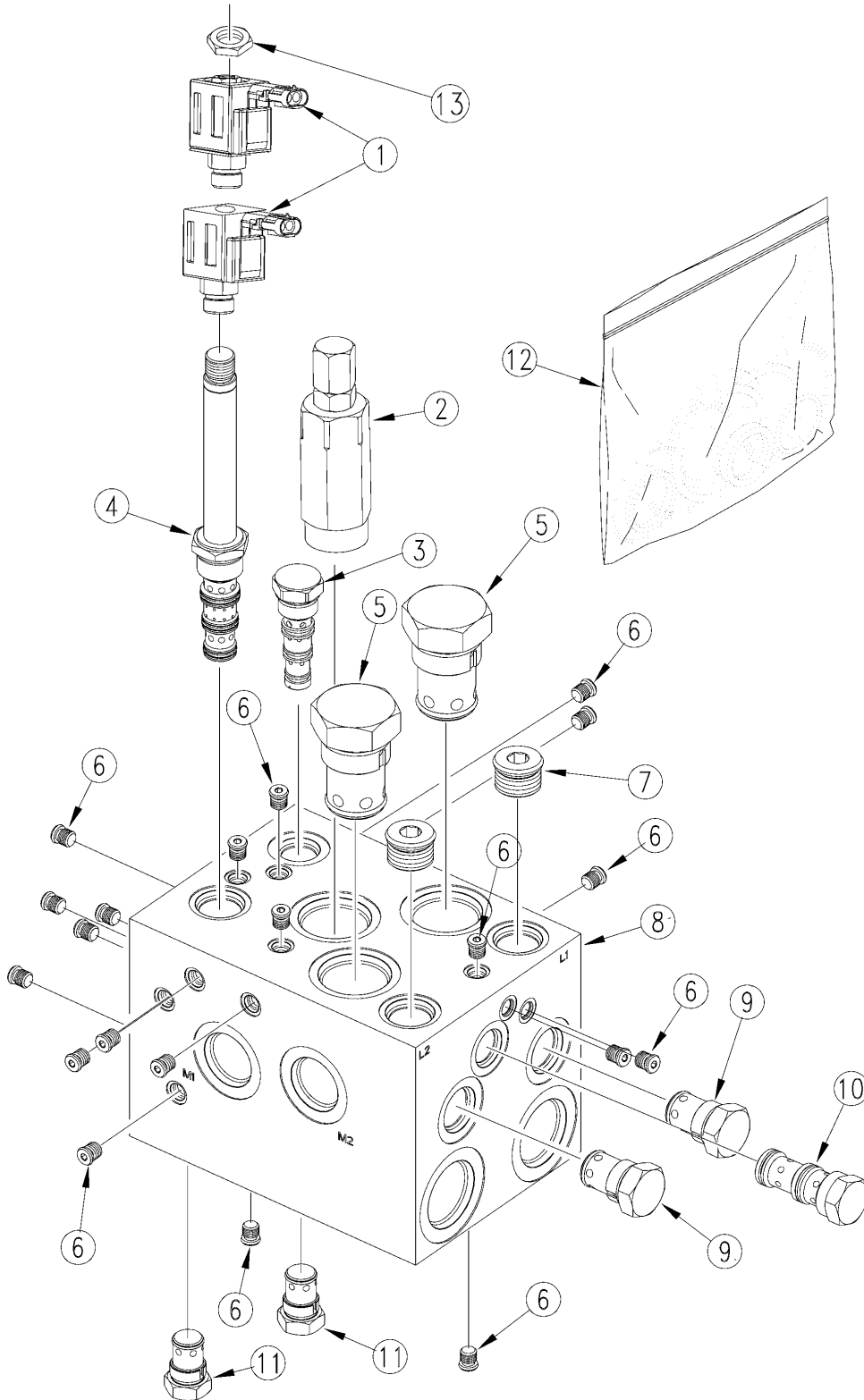
Hydraulic Arrangement

Applies to SR2672, SR2690

Ref	Part No.	Part Description	Comments	Revision
	dwg18521	Drawing Image Number		
1.	804-036C	WASHER FLAT 5/16 SAE PLT		
2.	804-009C	WASHER LOCK SPRING 5/16 PLT		
3.	802-159C	HHCS 5/16-18X1 GR5		
4.	810-401C	VALVE SR25 BY-PASS		
5.	321-013D	SR25 VALVE GUARD		
6.	802-007C	HHCS 5/16-18X3/4 GR5		
7.	803-011C	NUT LOCK 5/16-18 PLT		
8.	805-004C	PIN CLEVIS 1 X 2 3/4 USABLE LG		
9.	811-762C	HH3/8R2 020 9/16FJIC		
10.	811-151C	AD 9/16MJIC 3/8MNPT		
11.	811-065C	EL 9/16MJIC 9/16MORB		
12.	810-005C	CYL 2X8X1.12 ROD SINGLE ACTING		
13.	811-567C	AD 1 1/16MJIC 1 5/16MORB		
14.	811-742C	HH5/8R2 059 1 1/16FJIC		
15.	811-408C	AD 1 1/16MORB 1 1/16MJIC		
16.	811-744C	CP 1 1/16FORB MALE QUICK		
17.	811-745C	CP 1 1/16FORB FEMALE QUICK		
18.	811-743C	HH5/8R2 036 1 1/16FJIC1 (1 90)	SR2672	
18.	841-104C	HH5/8R2 046 1 1/16FJIC1 (1 90)	SR2690	

Hydraulic Bypass Valve (810-401C) (S/N 430843+)

Applies to SR2672, SR2690



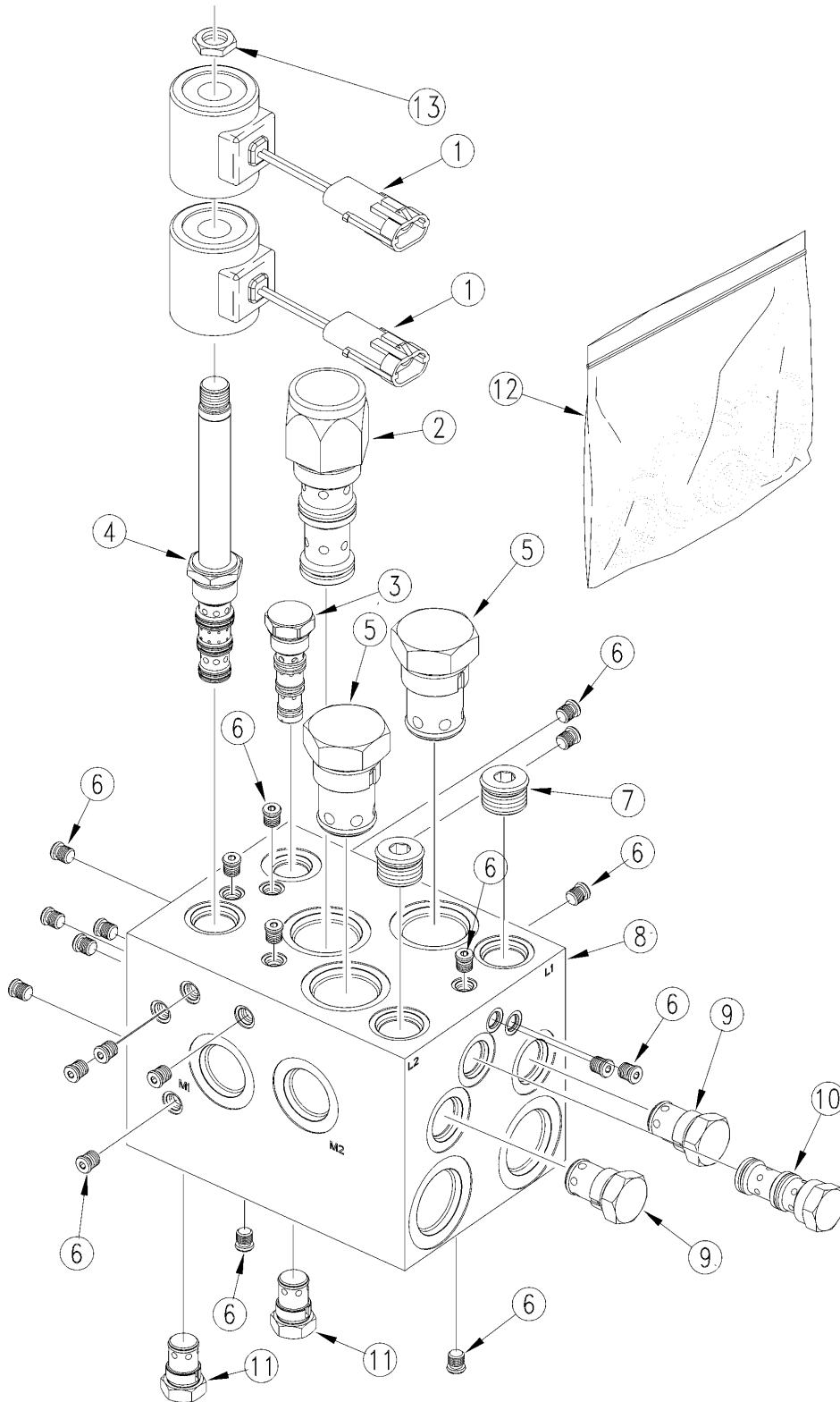
25772

Hydraulic Bypass Valve (810-401C) (S/N 430843+)**Applies to SR2672, SR2690**

Ref	Part No.	Part Description	Comments	Revision
	dwg25772	Drawing Image Number		
	810-401C	VALVE SR25/26 BY-PASS *		
1.	02-178097	EATON SOLENOID COIL		
2.	02-199747	EATON RELIEF VALVE		
3.	02-371349	EATON DUAL PILOT OPER. CHECK		
4.	02-199326	EATON SOLENOID VALVE		
5.	02-113154	EATON PRIORITY FLW REGLTR BYPS		
6.	472189	EATON EXPANDER PLUG		
7.	02-372066	EATON ZERO LEAK GOLD FITTING		
8.	4999261-001	EATON MANIFOLD		
9.	02-161013	EATON CHECK VALVE		
10.	02-171239	EATON SHUTTLE VALVE		
11.	02-171258	EATON CHECK VALVE		
12.	9900290-000	SEAL KIT FOR 810-401C		
13.	565558	EATON NUT		

Hydraulic Bypass Valve (810-401C) S/N 430842-)

Applies to SR2672, SR2690



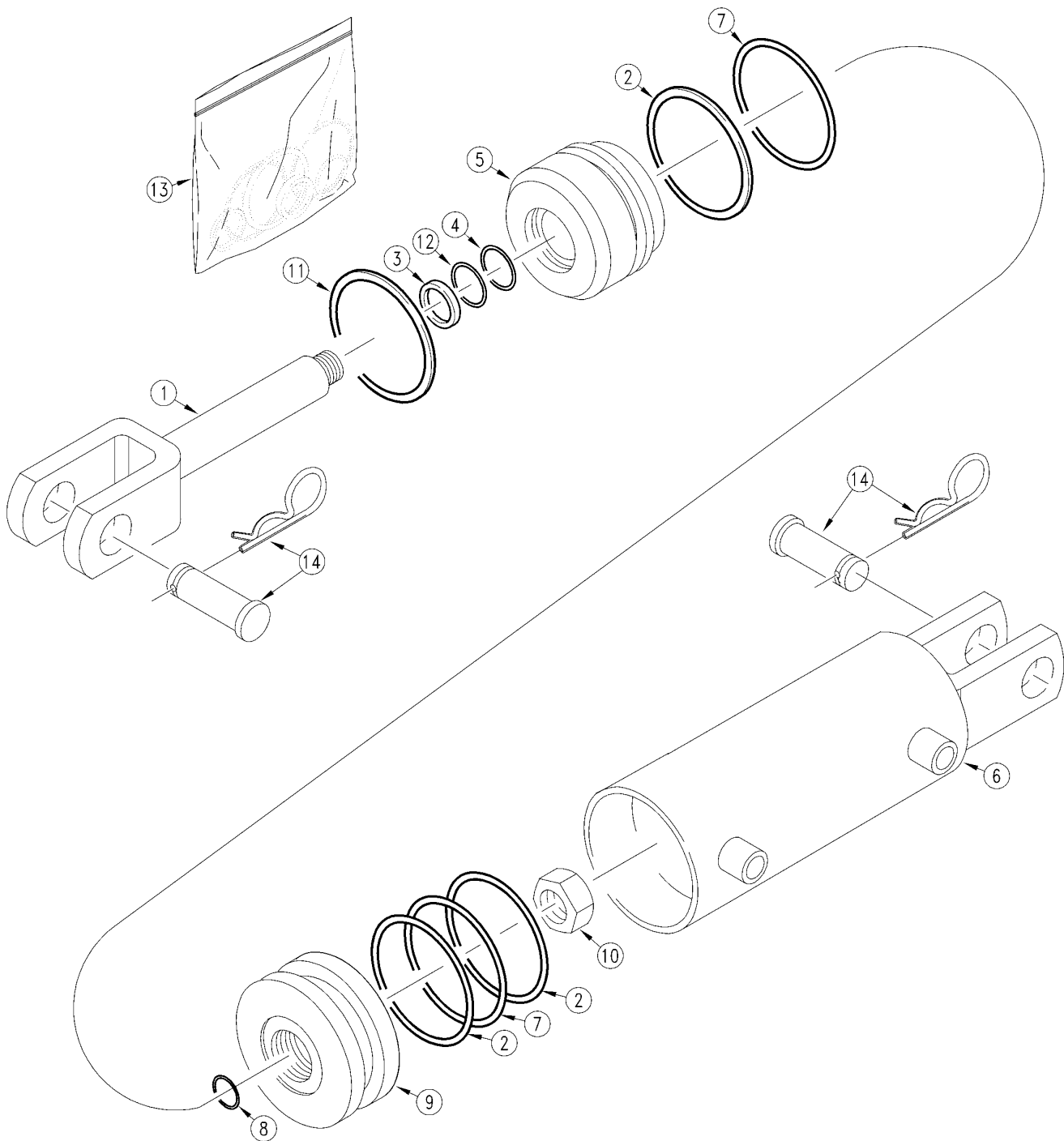
18523

Hydraulic Bypass Valve (810-401C) S/N 430842-)**Applies to SR2672, SR2690**

Ref	Part No.	Part Description	Comments	Revision
	dwg18523	Drawing Image Number		
	810-401C	Hydraulic Bypass Valve *		
1.	203177-001	EATON 12V DC COIL ASSEMBLY		
2.	203523-001	EATON RELIEF VALVE		
3.	DPC2-8U-A-25-00	EATON DUAL PILOT OPER CHCK VLV		
3.	203169-000	RPBY DPC2-8U-A-25-00		
4.	112388-000	EATON SD STEM 4W3P OP CNT SLND		
4.	112358-000	RPBY 112388-000		
5.	02-113154	EATON PRIORITY FLW REGLTR BYPS		Rev. 2
5.	203925-001	RPBY 02-113154		Rev 1; Use up stock
6.	16335-102	EATON ZERO LEAK GOLD FITTING		
7.	16335-110	EATON ZERO LEAK GOLD FITTING		
8.	112387-000	EATON MANIFOLD		
9.	202366-000	EATON CHECK VALVE		
10.	202417-000	EATON SHUTTLE VALVE		
11.	203220-000	EATON CHECK VALVE ASSEMBLY		
12.	613-0273-900	EATON SEAL KIT (FOR 810-401C)		
13.	565558	EATON NUT		

Hydraulic Cylinder (810-005C)

Applies to SR2672, SR2690



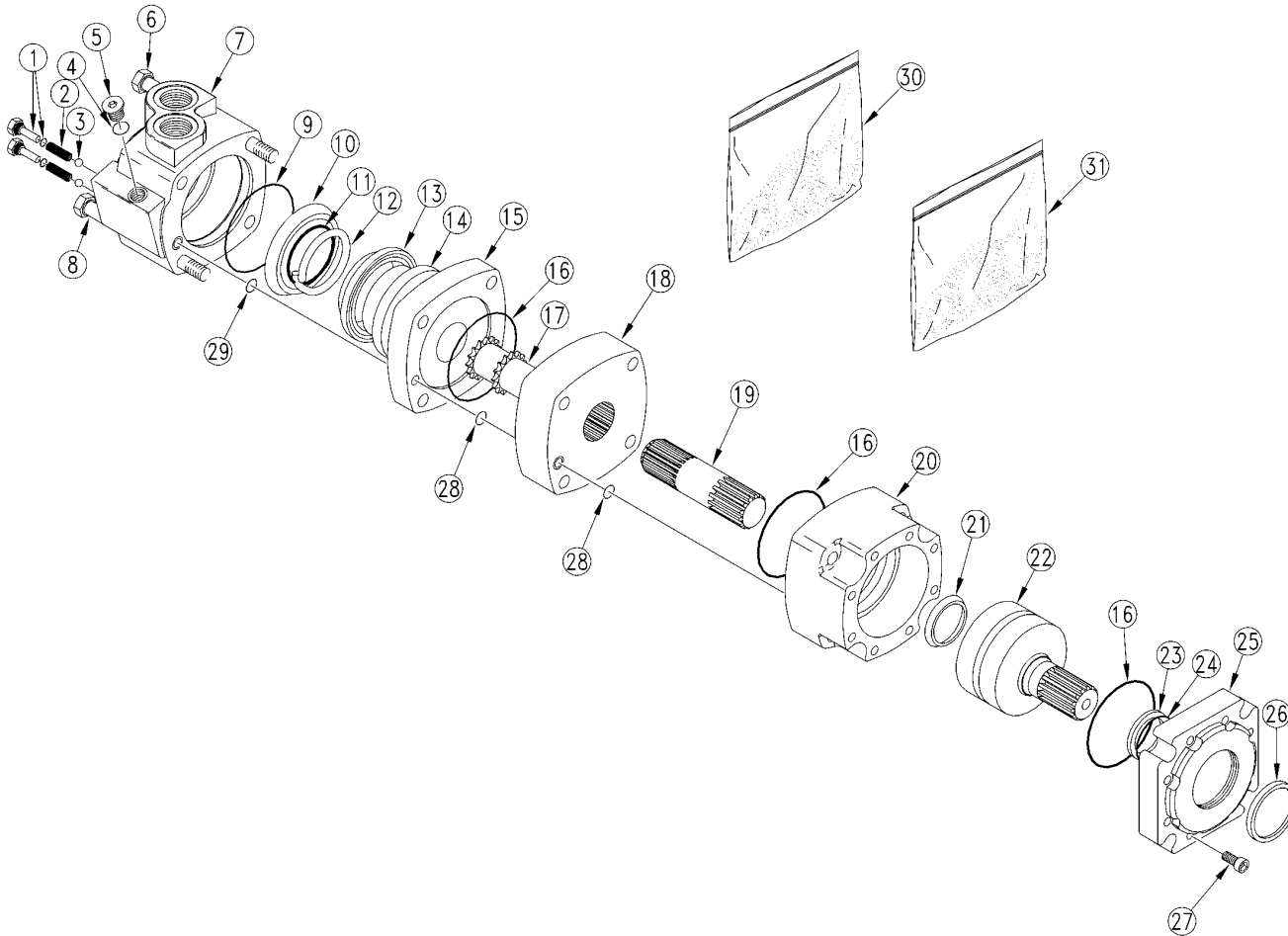
14078

Hydraulic Cylinder (810-005C)**Applies to SR2672, SR2690**

Ref	Part No.	Part Description	Comments	Revision
	dwg14078	Drawing Image Number		
	810-005C	CYL 2X8X1.12 ROD SINGLE ACTING *		
1.	A-2526	EGY PISTON ROD		
2.		BACK-UP RING	Available in Seal Kit #13 Only.	
3.		WIPER ROD	Available in Seal Kit #13 Only.	
4.		O-RING 1 1/8" ID X 1 3/8" OD	Available in Seal Kit #13 Only.	
5.	A-1906	EGY PISTON ROD GUIDE		
6.	B-988	EGY CYLINDER BODY		
7.		O-RING 1 5/8" ID X 2" OD	Available in Seal Kit #13 Only.	
8.		O-RING 3/4" ID X 7/8" OD	Available in Seal Kit #13 Only.	
9.	A-1845	EGY PISTON		
10.	82464	EGY 7/8-14UNF REG HEX LOCK NUT		
11.	83198	EGY RETAINER RING INTERNAL		
12.		BACK-UP RING 1 3/8" OD	Available in Seal Kit #13 Only.	
13.	810-012C	CYL SEAL KIT 2 X 8 (ENERGY)		
14.	805-004C	PIN CLEVIS 1 X 2 3/4 USABLE LG		

Hydraulic Motor (810-389C)

Applies to SR2672



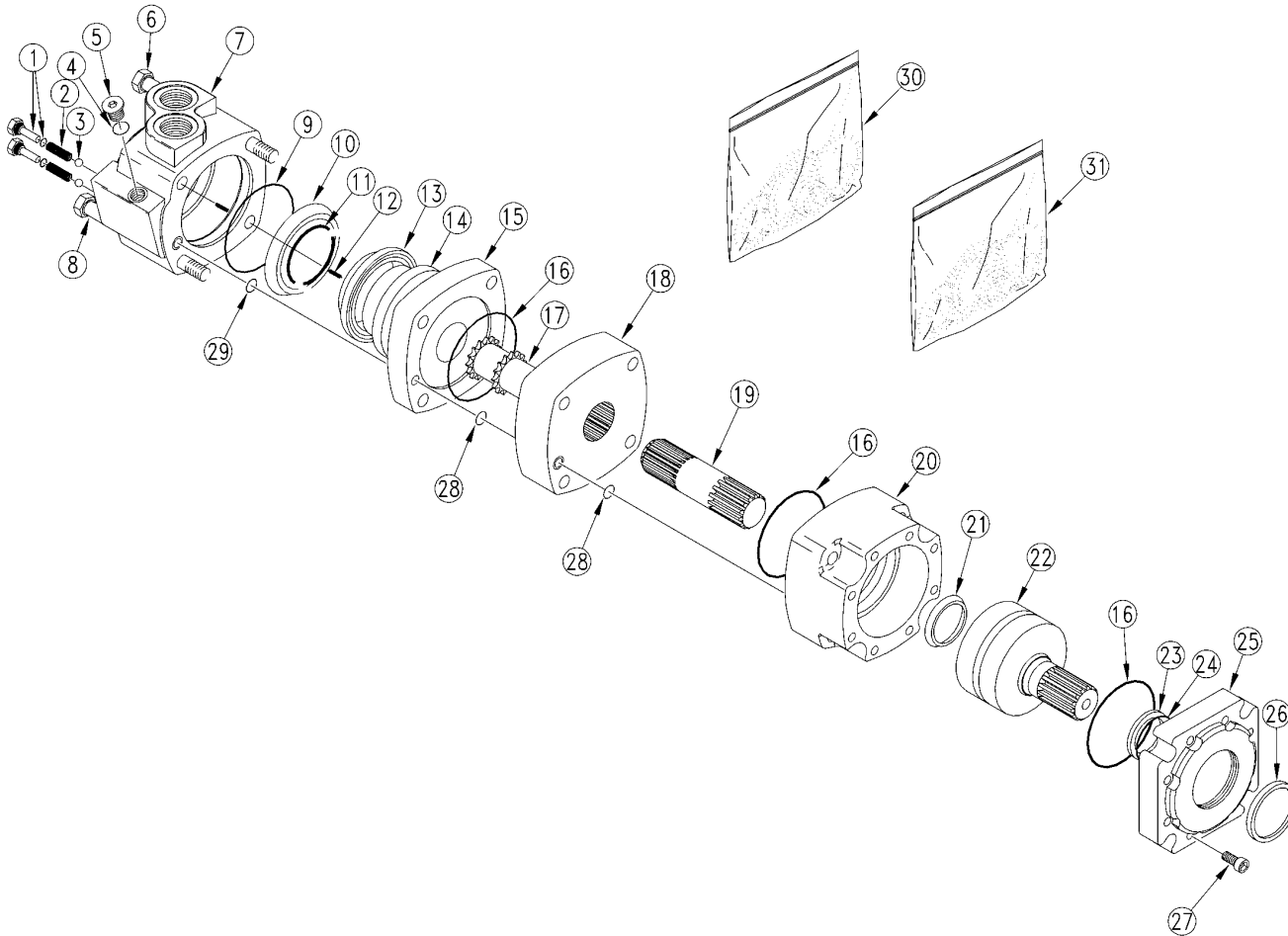
18524

Hydraulic Motor (810-389C)**Applies to SR2672**

Ref	Part No.	Part Description	Comments	Revision
	dwg18524	Drawing Image Number		
	810-389C	Hydraulic Motor *		
1.	8350-000	EATON PLUG SUB-ASSY		
2.	6464-000	EATON SPRING COMPRESSION		
3.	18026-000	EATON BALL STEEL		
4.		EATON O-RING	Found in seal kit item #30	
5.	9072-003	EATON PLUG SUB-ASSY		
6.	14386-007	EATON SCREW		
7.	23382-003	EATON HOUSING VALVE SUB-ASSY		
8.	14386-005	EATON SCREW		
9.		EATON SEAL	Found in seal kit item #30	
10.		EATON SEAL OUTER	Found in seal kit item #30	
11.		EATON SEAL INNER	Found in seal kit item #30	
12.	6203-000	EATON SPRING COMPRESSION		
13.	21316-000	EATON BALANCING RING SUB-ASSY		
14.	8500-000	EATON VALVE		
15.	8504-000	EATON PLATE VALVE		
16.		EATON SEAL	Found in seal kit item #30 or #31	
17.	8510-000	EATON DRIVE VALVE		
18.	8464-005	EATON GEROLER SUB-ASSEMBLY		
19.	21372-003	EATON DRIVE MAIN		
20.	23170-002	EATON HOUSING BEARING		
21.		EATON SEAL SHAFT FACE	Found in seal kit item #31	
22.	23310-003	EATON SHAFT SUB-ASSEMBLY		
23.		EATON SEAL	Found in seal kit item #31	
24.		EATON RING BACKUP	Found in seal kit item #31	
25.	23171-002	EATON RETAINER FRONT		
26.		EATON SEAL EXCLUSION	Found in seal kit item #31	
27.	16292-100	EATON SCREW CAP		
28.		EATON SEAL	Found in seal kit item #30	
29.		EATON SEAL	Found in seal kit item #30	
30.	61234-000	EATON REAR SEAL KIT (810-389C)		
31.	61281-000	EATON SHAFT SEAL KIT (810-389C)		

Hydraulic Motor (810-561C)

Applies to SR2690



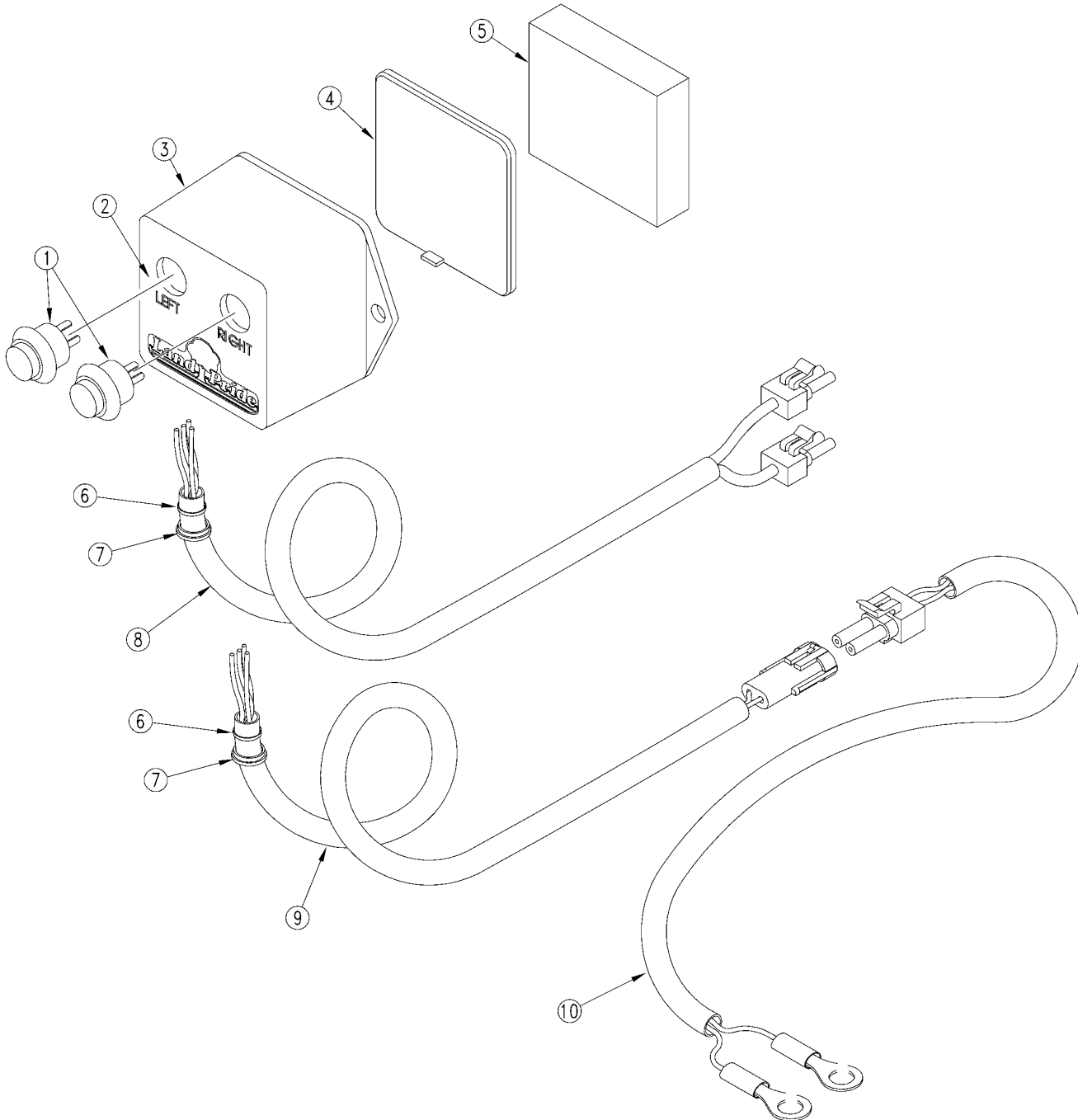
24528

Hydraulic Motor (810-561C)**Applies to SR2690**

Ref	Part No.	Part Description	Comments	Revision
	dwg24528	Drawing Image Number		
	810-561C	HYD MOTOR EATON 4000-310 *		
1.	8350-000	EATON PLUG SUB-ASSY		
2.	6464-000	EATON SPRING COMPRESSION		
3.	18026-000	EATON BALL STEEL		
4.		EATON O-RING	Found in seal kit item #30	
5.	9072-003	EATON PLUG SUB-ASSY		
6.	14386-009	SCREW		
7.	23382-003	EATON HOUSING VALVE SUB-ASSY		
8.	14386-007	EATON SCREW		
9.		EATON SEAL	Found in seal kit item #30	
10.		EATON SEAL OUTER	Found in seal kit item #30	
11.		EATON SEAL INNER	Found in seal kit item #30	
12.	6203-000	EATON SPRING COMPRESSION		
13.	21316-000	EATON BALANCING RING SUB-ASSY		
14.	8500-000	EATON VALVE		
15.	8504-000	EATON PLATE VALVE		
16.		EATON SEAL	Found in seal kit item #30 & 31	
17.	8510-000	EATON DRIVE VALVE		
18.	8464-006	GEROLER SUB-ASSEMBLY		
19.	21372-004	DRIVE, MAIN		
20.	23170-002	EATON HOUSING BEARING		
21.		EATON SEAL SHAFT FACE	Found in seal kit item #31	
22.	23310-003	EATON SHAFT SUB-ASSEMBLY		
23.		EATON SEAL	Found in seal kit item #31	
24.		EATON RING BACKUP	Found in seal kit item #31	
25.	23171-002	EATON RETAINER FRONT		
26.		EATON SEAL EXCLUSION	Found in seal kit item #31	
27.	16292-100	EATON SCREW CAP		
28.		EATON SEAL	Found in seal kit item #30	
29.		EATON SEAL	Found in seal kit item #30	
30.	61234-000	EATON REAR SEAL KIT		
31.	61281-000	EATON SHAFT SEAL KIT		

Switch & Wire Harness (823-183C)

Applies to SR2672, SR2690



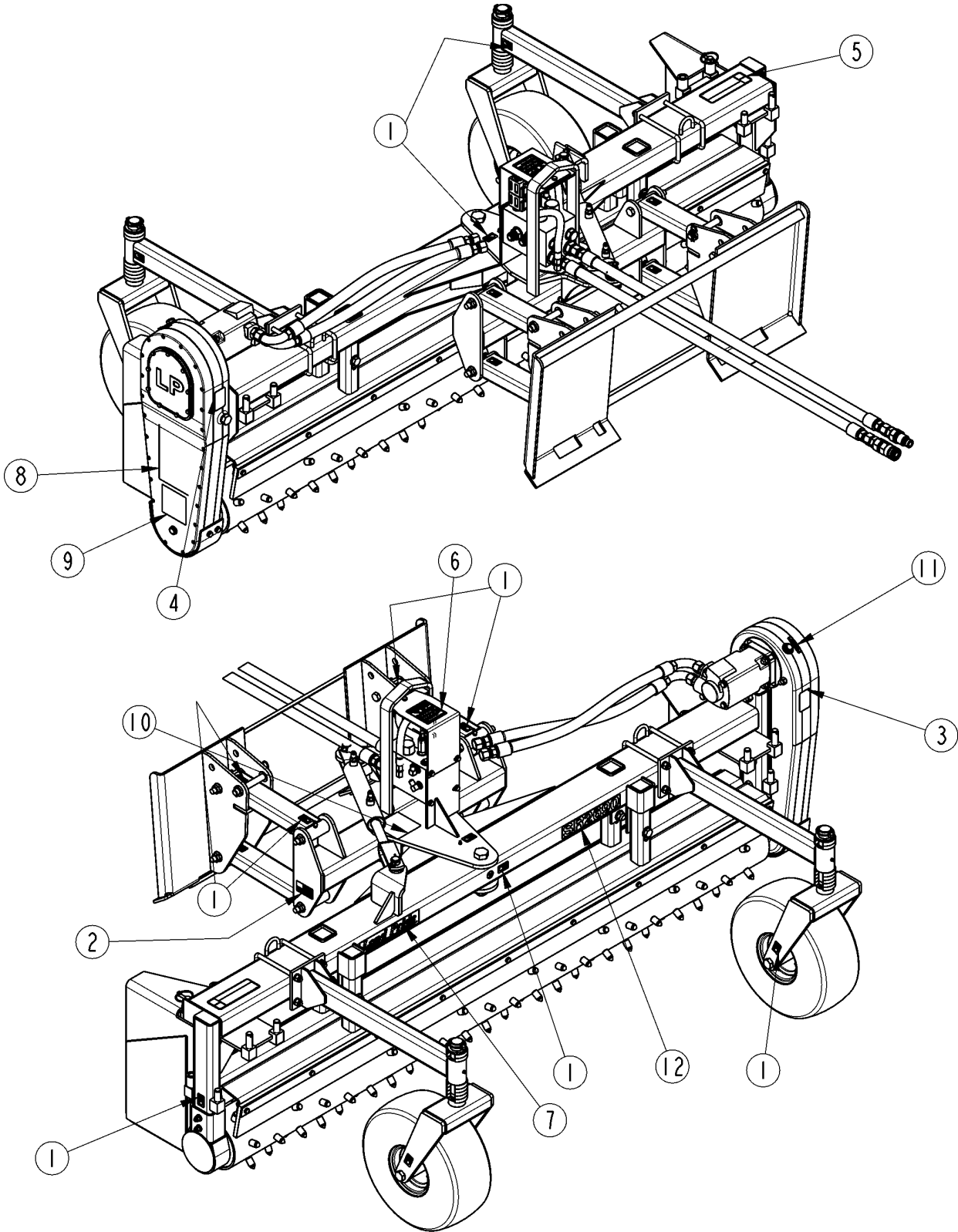
18537

Switch & Wire Harness (823-183C)**Applies to SR2672, SR2690**

Ref	Part No.	Part Description	Comments	Revision
	dwg18537 823-183C	Drawing Image Number SWITCH & WIRE HARNESS *		
1.	250-105	FASSE SW PB SPST MOM GRY RAISD		
2.	232-958	FASSE DECAL LANDPRIDE		
3.	319-817	FASSE ENCL DRL 251030 4X1/2		
4.	251-031	FASSE ENCLOSED COVER 2X2		
5.	219-004	FASSE MAGNET CERAMIC 2X2X.5		
6.	214-002	FASSE CABLE TIE BLACK 7"		
7.	259-001	FASSE GROMMET .5000D SNAP		
8.	320-048	FASSE HRN 400N 16G 2X2 WPT/9.5		
9.	320-046	FASSE HRNES 200N 16GA 2YPT/1.5		
10.	320-045	FASSE HRNES 200N 16GA 2YPT/9		

Label Placement

Applies to SR2672, SR2690



24511

Label Placement**Applies to SR2672, SR2690**

Ref	Part No.	Part Description	Comments	Revision
	dwg24511	Drawing Image Number		
1.	818-138C	DECAL GREASE EVERY 25 HOURS		
2.	818-190C	DECAL FLAG		
3.	818-229C	DECAL AMBER REFLECTOR		
4.	818-230C	DECAL RED REFLECTOR		
5.	818-254C	DECAL DANGER ROTATING ROLLER		
6.	818-339C	DECAL WARNING HIGH PRESSUR SML		
7.	818-897C	DECAL LANDPRIDE 10" - BROWN	Beige Unit	
7.	848-159C	DECAL LANDPRIDE 10" BROWN/GOLD	Orange Unit	
8.	838-106C	DECAL WARNING CRUSH ROCK RAKE		
9.	838-111C	DECAL DANGER MOVING PARTS		
10.	838-112C	DECAL DANGER PINCHING		
11.	838-415C	DECAL SHELL ALVANIA EP 00		
12.	838-571C	DECAL SR2672 BROWN	Beige Unit	
12.	848-235C	DECAL SR2672-GOLD	Orange Unit	
12.	838-842C	DECAL SR2690-BROWN	Beige Unit	
12.	848-236C	DECAL SR2690-GOLD	Orange Unit	



Part Number Index

The Part Number Index is a numeric index of all part numbers included in this manual. The index shows what page(s) the part is used on.

Part Number	Page	Part Number	Page	Part Number	Page	Part Number	Page
02-113154	21, 49, 51	321-003H	7, 31	802-160C	11, 13, 15, 37,	816-318C	15
02-161013	49	321-003H82	7, 31		39, 41, 43	816-319C	15, 43
02-171239	49	321-005K	7, 31	802-205C	9, 33, 35	816-417C	43
02-171258	49	321-008S	7, 31	802-240C	15	816-418C	43
02-178097	49	321-009A	29	802-254C	7, 31	817-395C	11, 13, 37, 39
02-199326	49	321-010A	29	802-272C	17, 45	817-418C	15, 43
02-199747	49	321-011D	7, 31	802-470C	43	817-652C	41
02-371349	49	321-011H	11, 13, 37, 39	802-573C	43	818-138C	29, 61
02-372066	49	321-011H82	11, 13, 37, 39	802-574C	43	818-190C	29, 61
112358-000	21, 51	321-012H	9, 33	802-677C	15	818-229C	61
112387-000	21, 51	321-012H82	33	802-678C	15	818-230C	61
112388-000	21, 51	321-013D	19, 47	803-011C	19, 47	818-254C	29, 61
13-304U	17, 45	321-014H	9, 33, 35	803-013C	11, 13, 37, 39, 41	818-339C	29, 61
14386-005	25, 55	321-014H82	33, 35	803-014C	9, 33, 35	818-896C	29
14386-007	25, 55, 57	321-016H	15	803-020C	17, 45	818-897C	29, 61
14386-009	57	321-017H	15	803-024C	15, 43	822-082C	15, 43
16292-100	25, 55, 57	321-020H	15, 43	803-027C	17, 45	822-182C	9, 33, 35
16335-102	21, 51	321-021H	9, 33	803-031C	9, 33, 35	823-183C	27, 59
16335-110	21, 51	321-021H82	33	803-147C	15, 43	82464	23, 53
18026-000	25, 55, 57	321-022H	9, 33	803-153C	15, 43	83198	23, 53
202366-000	21, 51	321-022H82	33	803-169C	15, 43	8350-000	25, 55, 57
202417-000	21, 51	321-023H	17, 45	803-209C	15	838-105C	29
203169-000	21, 51	321-023H82	45	803-263C	7, 31	838-106C	29, 61
203177-001	21, 51	321-024H	17	803-304C	11, 13, 37, 39, 41	838-107C	29
203220-000	21, 51	321-036S	7, 31	804-006C	43	838-111C	29, 61
203523-001	21, 51	321-037H	11, 37	804-009C	19, 47	838-112C	29, 61
203925-001	21, 51	321-040H	13, 39	804-012C	9, 33, 35	838-415C	29, 61
21316-000	25, 55, 57	321-040H82	13, 39	804-013C	9, 15, 33, 35, 43	838-571C	61
21372-003	25, 55	321-041H	11, 37	804-015C	15, 17, 45	838-842C	61
21372-004	57	321-041H82	11, 37	804-016C	15, 43	841-104C	47
214-002	27, 59	321-052H	13, 39	804-017C	15	8464-005	25, 55
219-004	27, 59	321-056H	35	804-021C	11, 13, 37, 39, 41	8464-006	57
23170-002	25, 55, 57	321-056H82	35	804-023C	17, 43, 45	848-159C	61
23171-002	25, 55, 57	321-061H	41	804-027C	9, 33, 35	848-235C	61
232-958	27, 59	321-061H82	41	804-036C	19, 47	848-236C	61
23310-003	25, 55, 57	321-062D	15	804-094C	15, 43	8500-000	25, 55, 57
23382-003	25, 55, 57	321-063D	9, 33, 35	804-202C	17, 45	8504-000	25, 55, 57
250-105	27, 59	321-065D	15, 43	805-004C	19, 23, 47, 53	8510-000	25, 55, 57
251-031	27, 59	321-066D	15	805-015C	35	890-005C	7, 9, 31, 33
259-001	27, 59	321-067D	15, 43	805-065C	17	890-011C	9, 33, 35
30-437	17, 45	321-074D	11, 13, 37, 39	805-068C	7, 31	890-264C	17, 45
30-438	17, 45	321-074D82	11, 13, 37, 39	805-081C	9, 33	890-767C	13, 39, 41
30-439S2	17, 45	472189	49	805-088C	9, 33	9072-003	25, 55, 57
314-193H	35	4999261-001	49	805-143C	7, 31	990-085R	7, 29, 31
314-193H82	35	50-015S6Y	17, 45	805-300C	7, 31	9900290-000	49
314-194H	35	53-170	17, 45	805-341C	17, 45	A-1845	23, 53
314-194H82	35	565558	21, 49, 51	806-066C	17, 45	A-1906	23, 53
314-209D	15, 43	61234-000	25, 55, 57	806-202C	45	A-2526	23, 53
314-211H	17, 45	61281-000	25, 55, 57	807-183C	15, 43	B-988	23, 53
314-211H82	45	613-0273-900	21, 51	808-131C	15, 43	DPC2-8U-A-25-00	21, 51
314-244H	41	6203-000	25, 55, 57	808-266C	15, 43	dwg14078	23, 53
314-274D	43	6464-000	25, 55, 57	809-202C	15, 43	dwg18519	15
314-274D82	43	800-053C	15, 43	809-298C	43	dwg18521	19, 47
314-275D	43	800-066C	15, 43	810-005C	19, 23, 47, 53	dwg18522	29
314-275D82	43	800-080C	7, 9, 17, 31, 33,	810-012C	23, 53	dwg18523	21, 51
314-276D	43		35, 45	810-389C	15, 25, 43, 55	dwg18524	25, 55
314-276D82	43	800-118C	15, 43	810-401C	19, 21, 47, 49, 51	dwg18537	27, 59
314-293D	43	800-136C	7, 31	810-561C	43, 57	dwg21376	7, 31
314-293D82	43	800-309C	9, 33, 35	811-065C	19, 47	dwg21378	9, 33
314-315D	41	802-007C	19, 47	811-151C	19, 47	dwg21379	13, 39
314-315D82	41	802-014C	43	811-408C	19, 47	dwg21380	11, 37
315-733D	17, 45	802-015C	15	811-567C	19, 47	dwg21381	43
319-817	27, 59	802-022C	11, 13, 37, 39, 41	811-742C	19, 47	dwg21382	17, 45
320-045	27, 59	802-024C	9, 33, 35	811-743C	19, 47	dwg24508	41
320-046	27, 59	802-078C	43	811-744C	19, 47	dwg24511	61
320-048	27, 59	802-079C	15, 43	811-745C	19, 47	dwg24512	35
321-001H	7, 31	802-091C	15, 43	811-762C	19, 47	dwg24528	57
321-001H82	7, 31	802-128C	15, 43	814-186C	17, 45	dwg25772	49
321-002H	7, 31	802-159C	19, 47	816-068C	15, 43	N/A	43
321-002H82	7, 31			816-317C	15		

This Page Intentionally Left Blank



Great Plains Manufacturing, Inc.

Corporate Office: P.O. Box 5060
Salina, Kansas 67402-5060 USA

www.landpride.com

Free Manuals Download Website

<http://myh66.com>

<http://usermanuals.us>

<http://www.somanuals.com>

<http://www.4manuals.cc>

<http://www.manual-lib.com>

<http://www.404manual.com>

<http://www.luxmanual.com>

<http://aubethermostatmanual.com>

Golf course search by state

<http://golfingnear.com>

Email search by domain

<http://emailbydomain.com>

Auto manuals search

<http://auto.somanuals.com>

TV manuals search

<http://tv.somanuals.com>