

Fertilizer Spreaders

FS500, FS700 & FS1000



15594

309-500M **Operator's Manual**



Read the Operator's manual entirely. When you see this symbol, the subsequent instructions and warnings are serious - follow without exception. Your life and the lives of others depend on it!

© Copyright 2008 Printed 6/27/08

Cover photo may show optional equipment not supplied with standard unit.



Table of Contents

Important Safety Information	1	Section 3: Adjustments	9
Be Aware of Signal Words	1	Adjustments	9
Introduction	6	How to adjust the Spreader Vanes	9
Application	6	How to adjust the Delivery	9
Using This Manual	6	Spreading Chart for Fertilizer and Seed	10
Terminology	6	Section 4: Maintenance	12
Definitions	6	General Maintenance	12
Owner Assistance	6	Lubrication	12
Further Assistance	6	Gearbox	12
Section 1: Assembly and Set-up	7	Driveline	12
Tractor Requirements	7	Section 5: Specifications and Capacities	13
Assembly	7	Section 6: Features and Benefits	14
Optional Equipment Assemblies	7	Section 7: Appendix	15
Agitator	7	Notes	16
Hook-Up	7	Warranty	17
Section 2: Operation	8		
Transporting	8		
Driveline Installation	8		
Operating Instructions	8		

© Copyright 2008 All rights Reserved

Land Pride provides this publication "as is" without warranty of any kind, either expressed or implied. While every precaution has been taken in the preparation of this manual, Land Pride assumes no responsibility for errors or omissions. Neither is any liability assumed for damages resulting from the use of the information contained herein. Land Pride reserves the right to revise and improve its products as it sees fit. This publication describes the state of this product at the time of its publication, and may not reflect the product in the future.

Land Pride is a registered trademark.

All other brands and product names are trademarks or registered trademarks of their respective holders.

Printed in the United States of America.

Important Safety Information

These are common practices that may or may not be applicable to the products described in this manual.

Be Aware of Signal Words

A signal word designates a degree or level of hazard seriousness. The signal words are:

⚠ DANGER

Indicates an imminently hazardous situation which, if not avoided, will result in death or serious injury. This signal word is limited to the most extreme situations, typically for machine components that, for functional purposes, cannot be guarded.

⚠ WARNING

Indicates a potentially hazardous situation which, if not avoided, could result in death or serious injury, and includes hazards that are exposed when guards are removed. It may also be used to alert against unsafe practices.

⚠ CAUTION

Indicates a potentially hazardous situation which, if not avoided, may result in minor or moderate injury. It may also be used to alert against unsafe practices.



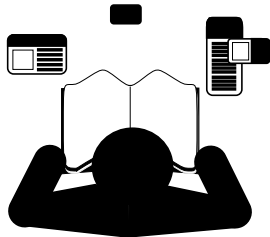
This is the safety alert symbol. It means:
ATTENTION! BECOME ALERT! YOUR SAFETY IS INVOLVED!

Keep Riders Off Machinery

- ▲ Riders obstruct the operator's view. They can be struck by foreign objects or thrown from the machine.
- ▲ Never allow children to operate equipment.

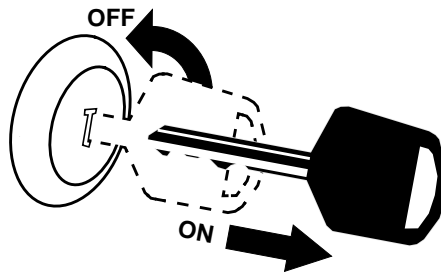
For Your Protection

- ▲ Thoroughly read and understand the "Safety Label" section, read all instructions noted on them.



Shutdown and Storage

- ▲ Lower machine to ground, turn off engine, and remove the key.
- ▲ Detach and store implements in a area where children normally do not play. Secure implement by using blocks and supports.

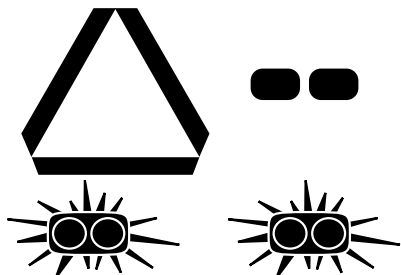


Important Safety Information

These are common practices that may or may not be applicable to the products described in this manual.

Use Safety Lights and Devices

- ▲ Slow moving tractors, self-propelled equipment, and towed implements can create a hazard when driven on public roads. They are difficult to see, especially at night.
- ▲ Flashing warning lights and turn signals are recommended whenever driving on public roads. Use lights and devices provided with implement.

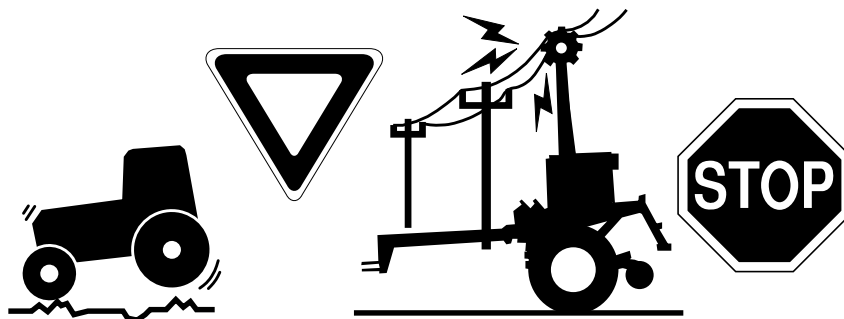


Transport Machinery Safely

- ▲ Comply with state and local laws.
- ▲ Maximum transport speed for implement is 20 mph. **DO NOT EXCEED.** Never travel at a speed which does not allow adequate control of steering and stopping. Some rough terrains require a slower speed.
- ▲ Sudden breaking can cause a towed load to swerve and upset.

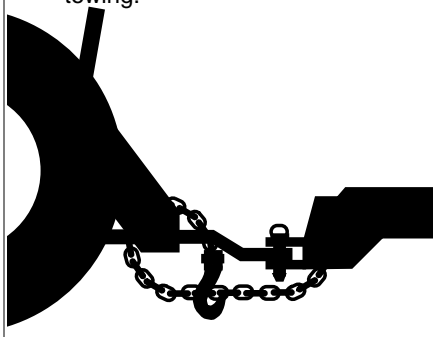
Reduce speed if towed load is not equipped with breaks.

- ▲ Use the following maximum speed - tow load weight ratios as a guideline:
- ▲ **20 mph** when weight is less than or equal to the weight of tractor.
- ▲ **10 mph** when weight is double the weight of tractor.
- ▲ **IMPORTANT:** Do not tow a load that is more than double the weight of tractor.



Use A Safety Chain

- ▲ A safety chain will help control drawn machinery should it separate from the tractor drawbar.
- ▲ Use a chain with the strength rating equal to or greater than the gross weight of the towed machinery.
- ▲ Attach the chain to the tractor drawbar support or other specified anchor location. Allow only enough slack in the chain to permit turning.
- ▲ Do not use safety chain for towing.



Practice Safe Maintenance

- ▲ Understand procedure before doing work. Use proper tools and equipment, refer to Operator's Manual for additional information.
- ▲ Work in a clean dry area.
- ▲ Lower the implement to the ground, put tractor in park, turn off engine, and remove key before performing maintenance.

- ▲ Allow implement to cool completely.
- ▲ Do not grease or oil implement while it is in operation.
- ▲ Inspect all parts. Make sure parts are in good condition & installed properly.
- ▲ Remove buildup of grease, oil or debris.
- ▲ Remove all tools and unused parts from implement before operation.

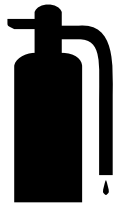
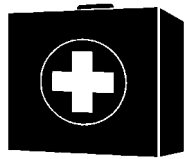


Important Safety Information

These are common practices that may or may not be applicable to the products described in this manual.

Prepare for Emergencies

- ▲ Be prepared if a fire starts.
- ▲ Keep a first aid kit and fire extinguisher handy.
- ▲ Keep emergency numbers for doctor, ambulance, hospital and fire department near phone.

**Wear Protective Equipment**

- ▲ Protective clothing and equipment should be worn.
- ▲ Wear clothing and equipment appropriate for the job. Avoid loose fitting clothing.
- ▲ Prolonged exposure to loud noise can cause hearing impairment or hearing loss. Wear suitable hearing protection such as earmuffs or earplugs.
- ▲ Operating equipment safely requires the full attention of the operator. Avoid wearing radio headphones while operating machinery.

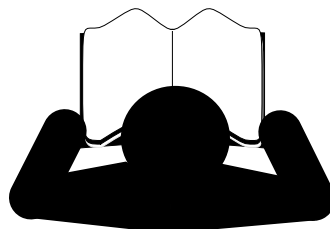
**Avoid High Pressure Fluids Hazard**

- ▲ Escaping fluid under pressure can penetrate the skin causing serious injury.
- ▲ Avoid the hazard by relieving pressure before disconnecting hydraulic lines.
- ▲ Use a piece of paper or cardboard, NOT BODY PARTS, to check for suspected leaks.
- ▲ Wear protective gloves and safety glasses or goggles when working with hydraulic systems.
- ▲ If an accident occurs, see a doctor immediately. Any fluid injected into the skin must be surgically removed within a few hours or gangrene may result.

**Safety at All Times**

Thoroughly read and understand the instructions given in this manual before operation. Refer to the "Safety Label" section, read all instructions noted on them.

- ▲ Operator should be familiar with all functions of the unit.
- ▲ Operate implement from the driver's seat only.
- ▲ Do not leave tractor or implement unattended with engine running.
- ▲ Dismounting from a moving tractor could cause serious injury or death.
- ▲ Do not stand between the tractor and implement during hitching.
- ▲ Keep hands, feet, and clothing away from power-driven parts.
- ▲ Wear snug fitting clothing to avoid entanglement with moving parts.
- ▲ Watch out for wires, trees, etc., when raising implement. Make sure all persons are clear of working area.
- ▲ Turning tractor too tight may cause implement to ride up on wheels. This could result in injury or equipment damage.



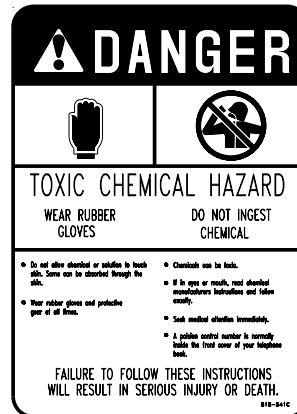
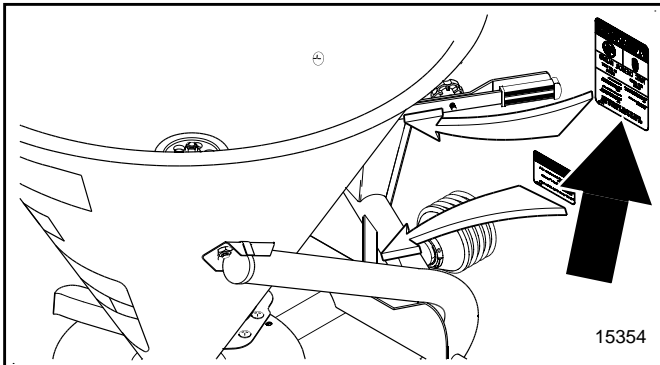
Important Safety Information

Safety Labels

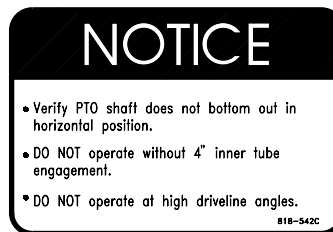
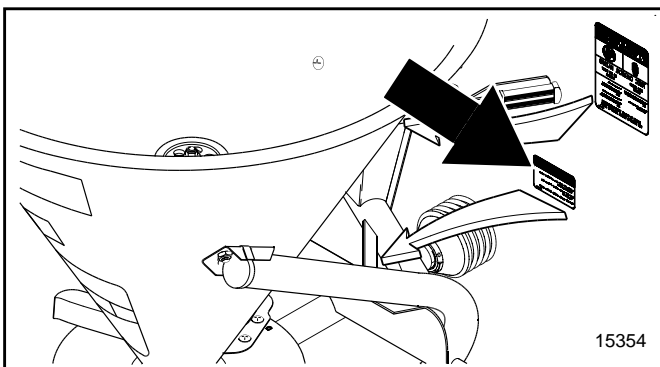
1. Your fertilizer spreader comes equipped with all safety labels in place. They were designed to help you safely operate your spreader. Read and follow their directions.
2. Keep all safety labels clean and legible.
3. Replace all damaged or missing labels. To order new labels go to your Land Pride dealer.
4. Some new equipment installed during repair requires safety labels to be affixed to the replaced component as specified by Land Pride. When ordering new components make sure

the correct safety labels are included in the request. To order new labels go to your Land Pride dealer.

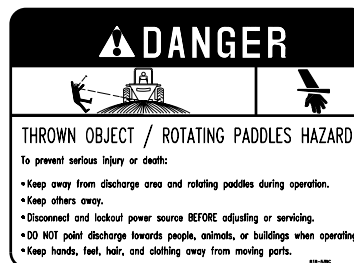
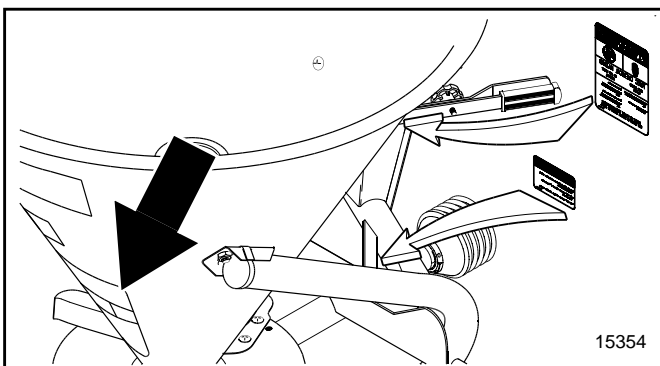
5. Refer to this section for proper label placement. To install new labels:
 - a. Clean the area the label is to be placed.
 - b. Spray soapy water on the surface where the label is to be placed.
 - c. Peel backing from label. Press firmly onto the surface.
 - d. Squeeze out air bubbles with the edge of a credit card.



818-541C
Danger: Toxic Chemical Hazard

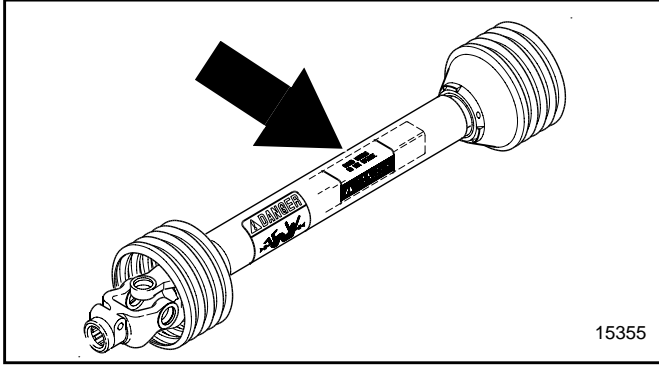


818-542C
Notice: PTO

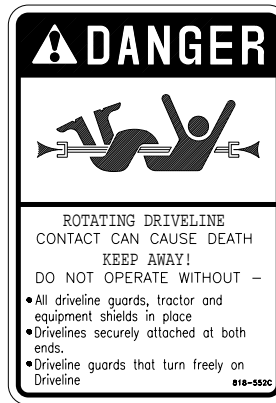
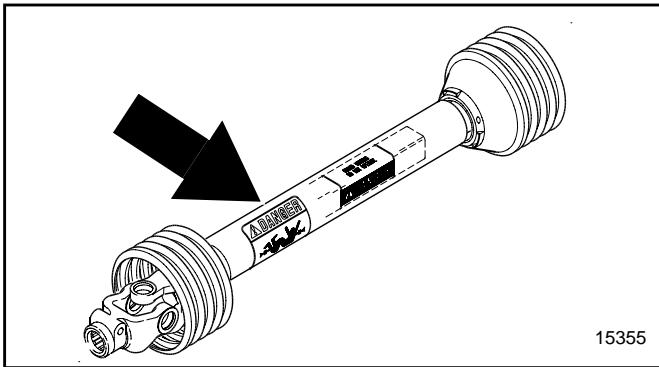


818-539C
Danger: Thrown Object / Rotating Paddles Hazard

Important Safety Information



818-540C
Danger: Guard Missing



818-552C
Danger: Rotating Driveline

Introduction

Land Pride welcomes you to the growing family of new product owners.

This Fertilizer Spreader has been designed with care and built by skilled workers using quality materials. Proper assembly, maintenance, and safe operating practices will help you get years of satisfactory use from this Fertilizer Spreader.

Application

The Land Pride FS500, FS700, and FS1000 are rotary/spin type broadcast spreaders designed for Category 1, three-point hitch mounting. They are capable of spreading seed, sand, salt, top dressings, and prilled/granular fertilizer, lime, and iron at delivery rates ranging from 43-890 lbs. per acre. Each of these models offers specific hopper capacities with the FS500 at 350lbs/5.85cu. ft., the FS700 at 563lbs/9.38cu. ft., and the FS1000 at 673lbs/11.22cu. ft. An internally mounted agitator helps keep material in the hopper from bridging. This ensures a continuous hopper flow and uniform delivery rate from the adjustable pattern rotary spreader.

The spread rate capability and range of hopper capacities make the Land Pride Fertilizer Spreaders well suited for applications on farms, golf courses, park systems, athletic fields, and large campuses. They also work well for smaller municipal or commercial applications of salt and sand for snow and ice control. See "**Features and Benefits**", "**Section 6**" for additional information.

Using This Manual

- This Operator's Manual is designed to help familiarize you with safety, assembly, operation, adjustments, troubleshooting, and maintenance. Read this manual and follow the recommendations to help ensure safe and efficient operation.
- The information contained within this manual was current at the time of printing. Some parts may change slightly to assure you of the best performance.
- To order a new Operator's or Parts Manual contact your authorized dealer. Manuals can also be downloaded, free-of-charge from our website at www.landpride.com or printed from the Land Pride Service & Support Center by your dealer.

Terminology

"Right" or "Left" as used in this manual is determined by facing the direction the machine will operate while in use unless otherwise stated.

Definitions

NOTE: A special point of information that the operator must be aware of before continuing.

IMPORTANT: A special point of information related to its preceding topic. Land Pride's intention is that this information should be read and noted before continuing.

Owner Assistance

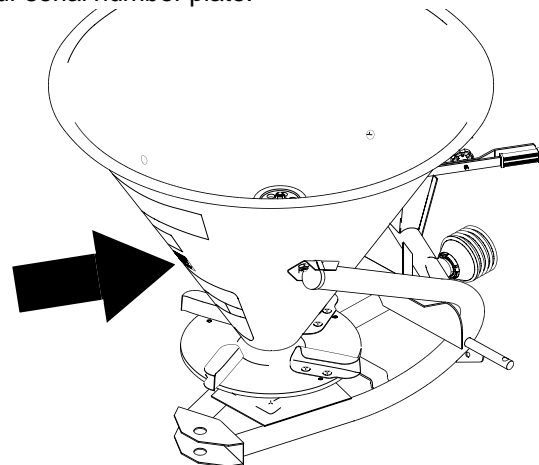
The Warranty Registration card should be filled out by the dealer at the time of purchase. This information is necessary to provide you with quality customer service.

If customer service or repair parts are required contact a Land Pride dealer. A dealer has trained personnel, repair parts and equipment needed to service the implement.

The parts on your Fertilizer Spreader have been specially designed and should only be replaced with genuine Land Pride parts. Therefore, should your Fertilizer Spreader require replacement parts go to your Land Pride Dealer.

Serial Number Plate

For prompt service always use the serial number and model number when ordering parts from your Land Pride dealer. Be sure to include your serial and model numbers in correspondence also. Refer to Figure 1 for the location of your serial number plate.



Serial Number Plate Location
Figure 1

15594

Further Assistance

Your dealer wants you to be satisfied with your new Fertilizer Spreader. If for any reason you do not understand any part of this manual or are not satisfied with the service received, the following actions are suggested:

2. Discuss the matter with your dealership service manager making sure he is aware of any problems you may have and that he has had the opportunity to assist you.
3. If you are still not satisfied, seek out the owner or general manager of the dealership, explain the problem and request assistance.
4. For further assistance write to:

Land Pride

Service Department

P.O. Box 5060
Salina, KS 67402-5060

E-mail address

lp servicedept@landpride.com

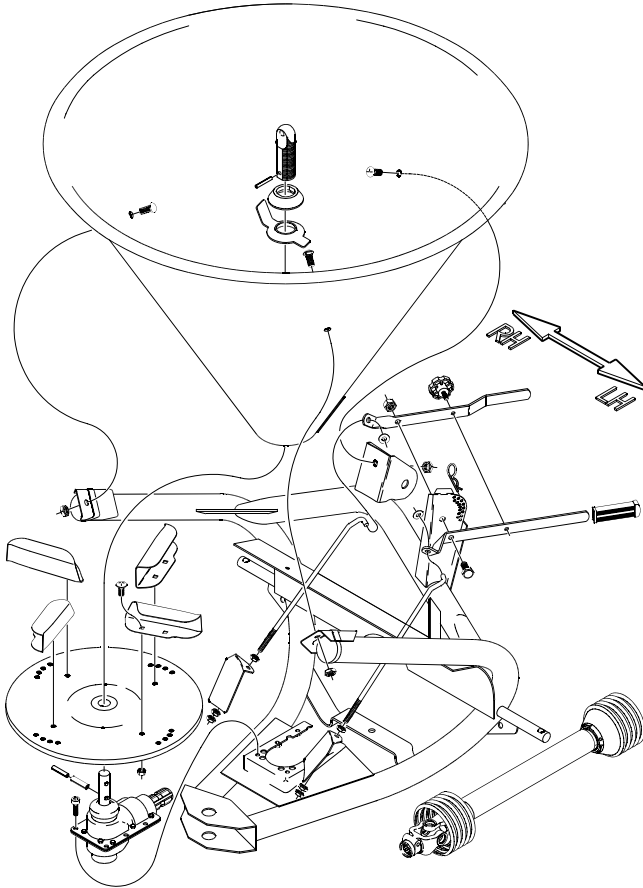
Section 1: Assembly and Set-up

Tractor Requirements

The frame is designed for mounting on 3-point hitch tractor (category 1 or 2).

Assembly

The Fertilizer is disassembled when it gets the dealer. Refer to Figure 1-1 for assembly.



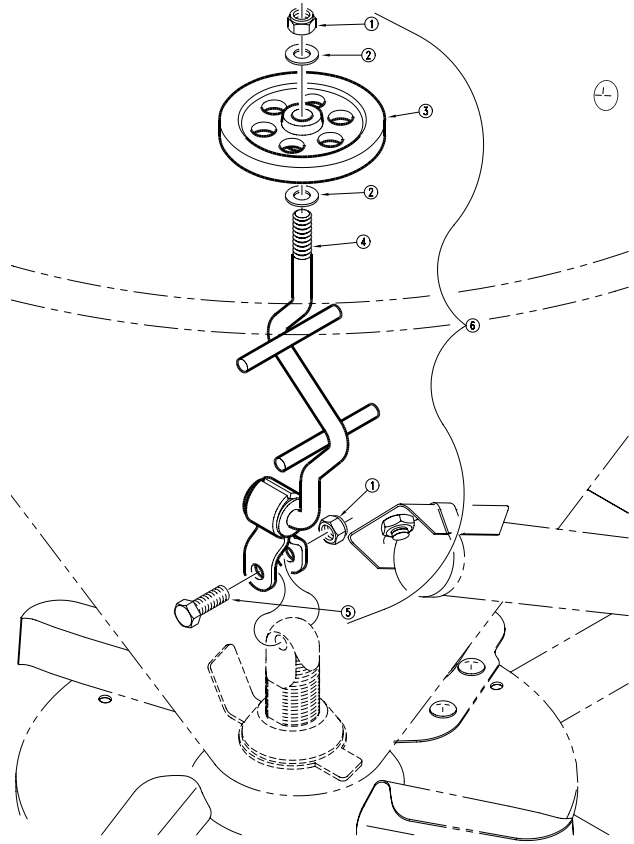
**Assembly
Figure 1-1**

18283

Optional Equipment Assemblies

Agitator

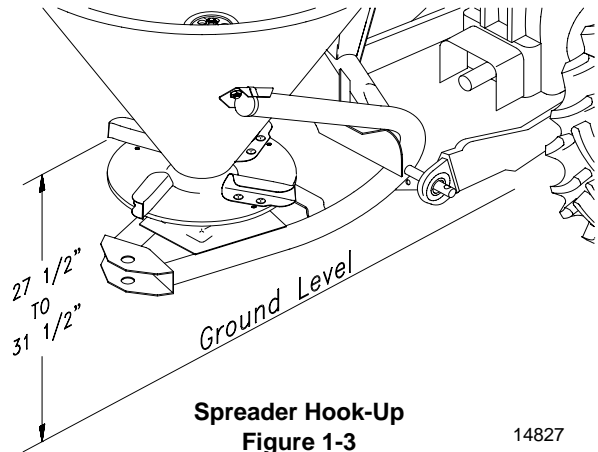
Assemble the agitator as shown in Figure 1-2.



Agitator Assembly

Hook-Up

Adjust the 3-point hitch so that the distributor disc is horizontal and about 27 1/2" - 31 1/2" {70-80 cm} above ground level. Refer to Figure 1-3.



**Spreader Hook-Up
Figure 1-3**

14827

Section 2: Operation

Transporting

The Fertilizer Spreader is equipped with a towing hook for trailers. Maximum towing weight is 1200 pounds.

CAUTION!

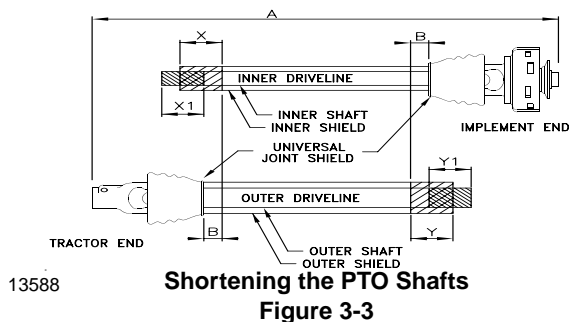
Never transport your Fertilizer Spreader at speeds in excess of 20 miles per hour.

Driveline Installation

DANGER!

Tractor PTO shield must be in place at all times during operation!

1. Slide driveline end with extended safety cone over splined shaft of the gearbox and secure with attaching device.
2. Slide driveline over the tractor's splined PTO shaft and secure with locking device of driveline.
3. Driveline should now be moved back and forth to insure that it is secure on the PTO shaft of the tractor and spreader gearbox.
4. Should the driveline require shortening, Figure 3-3:



13588
Shortening the PTO Shafts
Figure 3-3

- a. Raise the tractor 3-point hitch so the input shaft of the gearbox is in line with the PTO shaft on the tractor. Shut tractor engine off, leaving the spreader in position of shortest distance between shafts, refer to "A" dimension. Securely block spreader in position.
- b. Pull driveline apart as shown in Figure 3-3. Reattach outer yoke sections to tractor and gearbox. Pull on each driveline section to be sure the yokes are locked into place.
- c. Hold driveline sections parallel to each other to determine if too long. Each section should end approximately 1" ("B" dimension) short of reaching universal joint shield on opposite section. If too long, measure 1" ("B" dimension) back from universal joint shield and mark on opposite section. Do this for both sections.
- d. Cut off shield where marked ("X" dimension). Cut shaft the same amount ("X" dimension).
- e. Repeat the procedure to the other driveline half. Remove all burrs and cuttings.

- f. Apply multi-purpose grease to inside of outer (female) driveline section. Assemble driveline and install on tractor and spreader. Pull on each driveline section to be sure yokes lock into place. Make certain driveline shielding is in place and in good condition.

Operating Instructions

By now you should have properly installed your Land Pride Fertilizer Spreader on your tractor. Based on the type of material and pounds per acre you intend to broadcast, you should have referred to the spreading chart in the operator's manual to determine the proper tractor ground speed, distribution gate opening, and spread pattern setting for your spreader. This process of taking prescribed fertilizer or seed label rates and making the necessary spreader setting adjustments is called "initial calibration".

When setting your spreader up for initial calibration, following the chemical or seed supplier's label directions and using the manufacturer's application rate setting charts is "absolutely essential and required". Once you have achieved your initial calibration, it is time to make "final calibration" adjustments. Measure off an area where chemicals or seed are to be applied. An acre is preferred. Measure out exactly enough product to cover an acre at the manufacturer's prescribed rate and put it in the hopper. You should have already determined the appropriate ground speed that will allow you to meet the application rate and also maintain 540 rpm PTO speed.

Start the tractor and travel to the one-acre plot you have measured off. Maintaining proper ground and engine speed, engage the PTO and open the distribution gate just as you move onto the plot. Look back often to observe your distribution width and pattern density. Typically the pattern won't be as dense on the outer edges. As you make your turn for an adjacent pass, adjust your travel path to achieve uniform overlap and pattern density. You may need to close and open the distribution gate at the beginning and ending of each pass. Your hopper should empty out just as you complete coverage of your one-acre plot. If not, make the necessary adjustments until you are absolutely confident that you have achieved the proper final calibration.

Once you have achieved final calibration, load the spreader hopper with the appropriate amount of material to be spread. Do not overload hopper with more weight than is specified for your individual model. If the tractor front end becomes too light for proper steering, add tractor weights to the front end. Proceed with spreading operations looking back often to ensure a uniform distribution pattern and to make sure there are no interruptions to hopper flow.

With a little practice you should become a very good applicator. Once you are done spreading, disengage the PTO, park the tractor, set the brake, shut off the tractor, and remove the keys. When finished, always clean out the spreader to prevent rust and corrosion.

Section 3: Adjustments

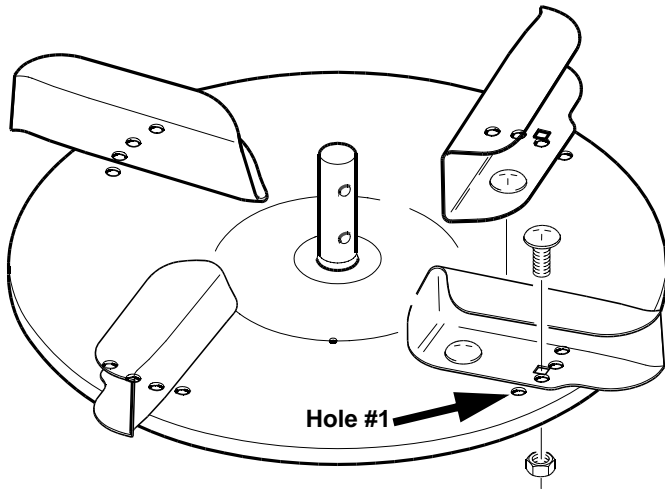
Adjustments

How to adjust the Spreader Vanes

To ensure even distribution on either side of the fertilizer spreader of differing specific gravities the vanes can be adjusted to the different holes on the distributor disc.

When all vanes are placed in hole #1, the distribution to the left of the tractor driver is increased. If inserted into hole #4, distribution to the right of the driver increases. Refer to Figure 3-1.

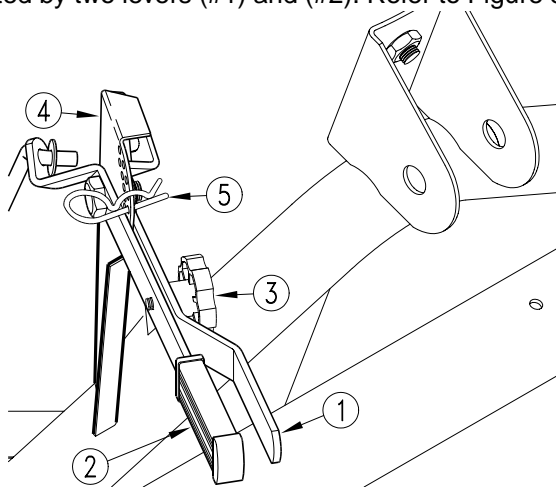
The fertilizer adjustment depends upon the type of material being used and the operator's experience.



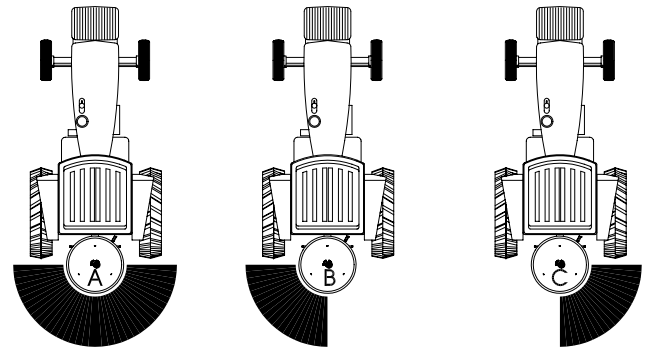
Spreader Vanes
Figure 3-1

How to adjust the Delivery

The fertilizer delivery is controlled by properly opening the orifices in the hopper bottom through the lock devices operated by two levers (#1) and (#2). Refer to Figure 3-2.



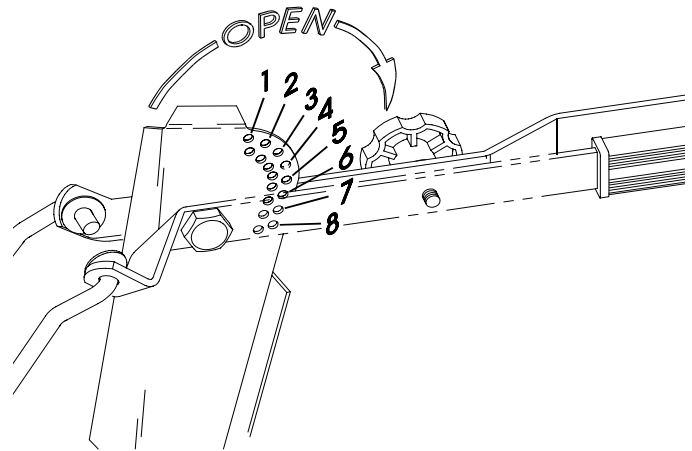
Lever Adjustments
Figure 3-2 13610



Delivery Adjustments
Figure 3-3

13611

1. Total width spreading of the fertilizer {A}.
2. Spreading to the left side driver {B}. Refer to Figure 3-2. Remove knob (#3), move down lever (#1) to full extent and close the other lock device at the same time. This is done by bringing lever (#2) to the "1" position.
3. Spreading to the right side of driver {C}. Refer to Figure 3-2. Remove knob (#3), move down lever (#2) to full extent and close the other lock device at the same time. This is done by bringing lever (#1) to the "1" position.



Distribution Gate Settings
Figure 3-4

14826

The position of the adjustment levers follows and is shown in Figure 3-3.

Section 3: Adjustments

Spreading Chart for Fertilizer and Seed

	TRACTOR SPEED (MPH)	SPREAD WIDTH (FEET)	QUANTITY SPREAD IN LBS./ACRE AT VARIOUS GATE SETTINGS									
			1	2	3	4	5	6	7	8	8.5	
LARGE GRANULAR FERTILIZER	2.5	60		132	245	402	635	929	1014	1140	1248	
	5.0			66	123	201	318	465	507	570	624	
	7.5			44	82	134	212	310	338	380	416	
MEDIUM GRANULAR FERTILIZER	2.5	53			311	448	709	925	1025	1118	1182	
	5.0				156	224	355	463	513	559	591	
	7.5				104	149	237	309	342	373	394	
FINE GRANULAR FERTILIZER	2.5	40		112	189	322	529	747	842	963	1051	
	5.0			56	95	166	265	374	421	482	526	
	7.5			37	63	111	177	249	280	321	351	
CRYSTAL (AMMON. SULPHATE)	2.5	23		226	368	560	890	1236	1354	1522	1632	
	5.0			113	184	280	445	618	677	761	816	
	7.5			75	123	187	297	412	451	507	544	
THOMAS MEAL (BASIC SLAG)	4.0	20				571		1270		1685		
	8.0					286		635		843		
Wheat	3.0	52	0	0	0	0	0	46	129	268		
	4.0		0	0	0	0	0	35	97	201		
	5.0		0	0	0	0	0	28	77	161		
	6.0		0	0	0	0	0	23	64	134		
	7.0		0	0	0	0	0	20	55	115		
	8.0		0	0	0	0	0	17	48	100		
Alfalfa & Clover	3.0	31	0	0	0	0	43	163	340	645		
	4.0		0	0	0	0	33	122	255	484		
	5.0		0	0	0	0	26	98	204	387		
	6.0		0	0	0	0	22	82	170	323		
	7.0		0	0	0	0	19	70	146	277		
	8.0		0	0	0	0	16	61	127	242		
Fescue & Ryegrass	3.0	19	0	0	0	0	0	0	85	161		
	4.0		0	0	0	0	0	0	64	121		
	5.0		0	0	0	0	0	0	51	97		
	6.0		0	0	0	0	0	0	43	81		
	7.0		0	0	0	0	0	0	36	69		
	8.0		0	0	0	0	0	0	32	60		

Section 3: Adjustments

	TRACTOR SPEED (MPH)	SPREAD WIDTH (FEET)	QUANTITY SPREAD IN LBS./ACRE AT VARIOUS GATE SETTINGS								
			1	2	3	4	5	6	7	8	8.5
Red Clover	3.0	31	0	0	0	0	44	167	333	642	
	4.0		0	0	0	0	33	125	250	481	
	5.0		0	0	0	0	26	100	200	385	
	6.0		0	0	0	0	22	84	167	321	
	7.0		0	0	0	0	19	72	143	275	
	8.0		0	0	0	0	16	63	125	241	
Kentucky Blue Grass & Bermuda Grass	3.0	12	0	0	0	0	30	131	311	660	
	4.0		0	0	0	0	23	98	233	495	
	5.0		0	0	0	0	18	78	186	396	
	6.0		0	0	0	0	15	65	155	330	
	7.0		0	0	0	0	13	56	133	283	
	8.0		0	0	0	0	11	49	116	248	
Sudan Grass	3.0	52	0	0	0	0	0	49	131	271	
	4.0		0	0	0	0	0	37	98	203	
	5.0		0	0	0	0	0	29	79	163	
	6.0		0	0	0	0	0	24	66	136	
	7.0		0	0	0	0	0	21	56	116	
	8.0		0	0	0	0	0	18	49	102	
Barley	3.0	49	0	0	0	0	0	25	81	186	
	4.0		0	0	0	0	0	19	61	139	
	5.0		0	0	0	0	0	15	49	111	
	6.0		0	0	0	0	0	13	41	93	
	7.0		0	0	0	0	0	11	35	80	
	8.0		0	0	0	0	0	9	30	70	
Rye	3.0	40	0	0	0	0	0	25	81	186	
	4.0		0	0	0	0	0	19	61	139	
	5.0		0	0	0	0	0	15	49	111	
	6.0		0	0	0	0	0	13	41	93	
	7.0		0	0	0	0	0	11	35	80	
	8.0		0	0	0	0	0	9	30	70	

Section 4: Maintenance

General Maintenance

Prior to operation, thoroughly lubricate fertilizer spreader. Check for proper operation of mechanisms by running the machine at no-load for a few feet.

Adjust the distributing assembly for spreading the quantity desired and recheck for adjustment accuracy.

All the parts must be cleaned accurately with water after every use for a long life and for the efficiency of the





implement.

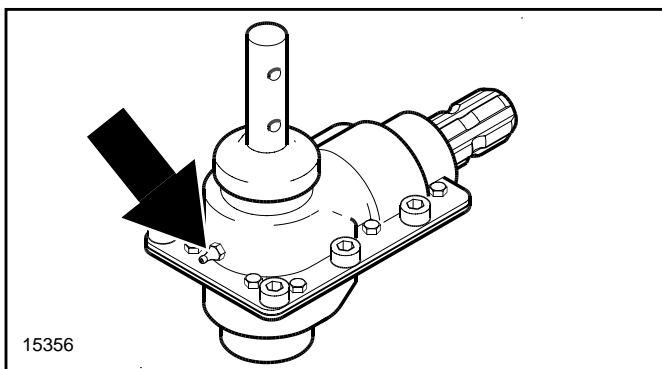
Proper servicing and adjustment can increase the life of any implement. With careful and systematic inspection, you can avoid costly maintenance, time and repair.



CAUTION!

Be sure to wear proper protective clothing when servicing or lubricating your Fertilizer Spreader. Refer to chemical manufacturers' labels for specific clothing requirements.

Lubrication

Lubrication Legend	 Multi-purpose spray lube	 Multi-purpose grease lube	 Multi-purpose oil lube	 Intervals at which lubrication is required

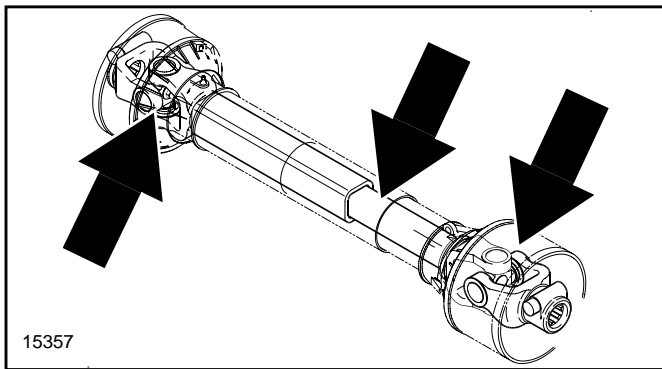



	 25
---	--

Gearbox

Type of Lubrication: Use a Lithium Base gun grease, Grade 2. Note: Grease should be rated for gearbox application.

Quantity = Grease until visible at purge hole.



	Seasonally
---	------------

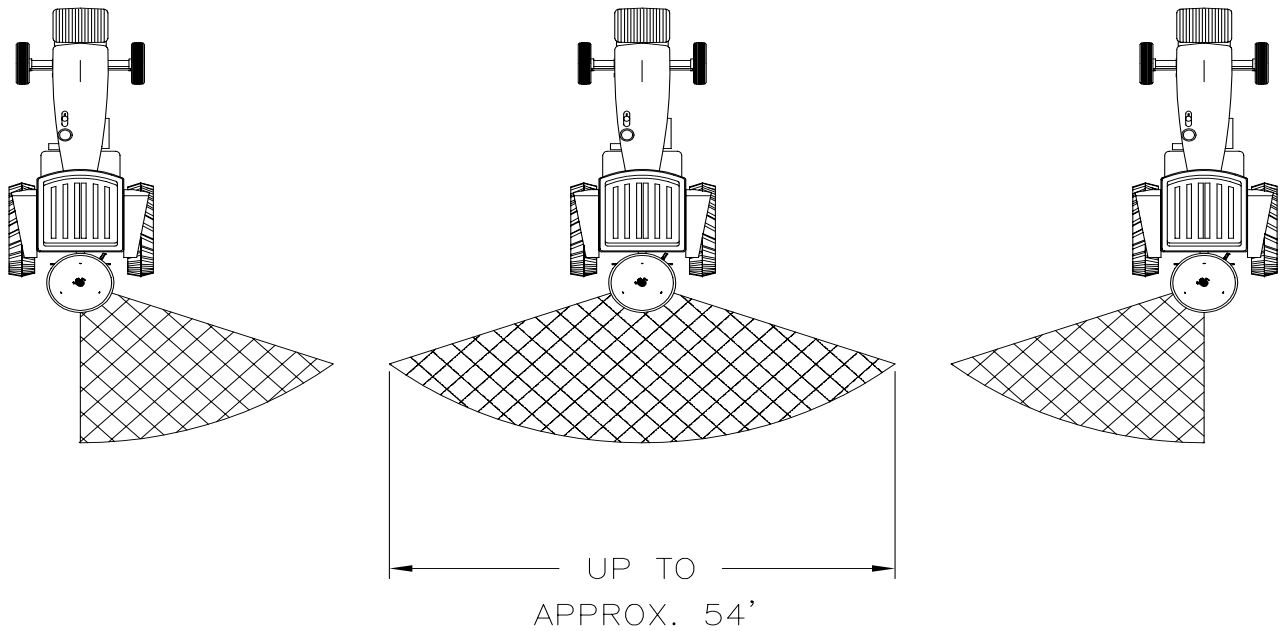
Driveline

Grease all knuckle points daily. This includes the zerks, and tubes of the driveline shaft.

Section 5: Specifications and Capacities

FS500, FS700 & FS1000 Broadcast Spreaders			
	FS500	FS700	FS1000
Capacity (pounds)	5.85 cu. ft. (350 lbs.)	9.38 cu. ft. (563 lbs.)	11.22 cu. ft. (673 lbs.)
Overall Dimensions	37" x 40"	44" x 46"	46.8" x 46"
Loading Height	3' 3"	3' 4"	3' 7"
Weight	118	128	139
3-Point Attachment	Category 1	Category 1	Category 1
Net Spreadable Granular Width	23'-54'	23'-54'	23'-54'
PTO Attachment Type	1 3/8"	1 3/8"	1 3/8"
Transmission Ratio	1:1	1:1	1:1
Min. Tractor HP	15 HP	18 HP	20 HP
Range of Spreading Possibility (lbs/acre)	44 - 890	44 - 890	44 - 890

Note: All measurements in British Standard Units are approximate as translated from metric equivalents.



**Specification Drawing
Figure 6-1**

13613

Section 6: Features and Benefits

FS500, FS700 & FS1000 Broadcast Spreaders

Features	Benefits
Hopper capacity	FS500-350 lbs.; FS700-563 lbs.; FS1000-673 lbs. to meet specific customer needs.
Spreading capacity	Highly productive at 44 to 890 lbs. per acre.
Spin-type broadcast	For even spreading and productive coverage up to 54 ft.
14 Gauge, one piece steel hopper	Seamless for accurate and consistent emptying.
Heavy-duty all steel frame	Supports the weight when full.
Tow hook	Handles up to 1200 pounds.
540 RPM shielded PTO	For added safety.
Plated spinner vanes	Protects from corrosive material to enhance longevity.
Plastic agitator wheel with steel arm	Standard equipment and is useful when spreading powder type materials that tend to bridge.
Stainless steel orifice doors	Protects from corrosive material enabling doors to operate smoothly.
Plated adjustment levers	Protects from corrosive material to enhance longevity.
Vinyl cap available	Optional vinyl cap with elastic and buckle keeps wind and rain out and material in.
Cat. 1 3-point hitch	For attachment to a wide range of tractors.

Section 7: Appendix

Torque Values Chart													
Bolt Size (Inches)	Bolt Head Identification						Bolt Size (Metric)	Bolt Head Identification					
	Grade 2		Grade 5		Grade 8			Class 5.8		Class 8.8		Class 10.9	
in-tpi ¹	N · m ²	ft-lb ³	N · m	ft-lb	N · m	ft-lb	mm x pitch ⁴	N · m	ft-lb	N · m	ft-lb	N · m	ft-lb
1/4" - 20	7.4	5.6	11	8	16	12	M 5 X 0.8	4	3	6	5	9	7
1/4" - 28	8.5	6	13	10	18	14	M 6 X 1	7	5	11	8	15	11
5/16" - 18	15	11	24	17	33	25	M 8 X 1.25	17	12	26	19	36	27
5/16" - 24	17	13	26	19	37	27	M 8 X 1	18	13	28	21	39	29
3/8" - 16	27	20	42	31	59	44	M10 X 1.5	33	24	52	39	72	53
3/8" - 24	31	22	47	35	67	49	M10 X 0.75	39	29	61	45	85	62
7/16" - 14	43	32	67	49	95	70	M12 X 1.75	58	42	91	67	125	93
7/16" - 20	49	36	75	55	105	78	M12 X 1.5	60	44	95	70	130	97
1/2" - 13	66	49	105	76	145	105	M12 X 1	90	66	105	77	145	105
1/2" - 20	75	55	115	85	165	120	M14 X 2	92	68	145	105	200	150
9/16" - 12	95	70	150	110	210	155	M14 X 1.5	99	73	155	115	215	160
9/16" - 18	105	79	165	120	235	170	M16 X 2	145	105	225	165	315	230
5/8" - 11	130	97	205	150	285	210	M16 X 1.5	155	115	240	180	335	245
5/8" - 18	150	110	230	170	325	240	M18 X 2.5	195	145	310	230	405	300
3/4" - 10	235	170	360	265	510	375	M18 X 1.5	220	165	350	260	485	355
3/4" - 16	260	190	405	295	570	420	M20 X 2.5	280	205	440	325	610	450
7/8" - 9	225	165	585	430	820	605	M20 X 1.5	310	230	650	480	900	665
7/8" - 14	250	185	640	475	905	670	M24 X 3	480	355	760	560	1050	780
1" - 8	340	250	875	645	1230	910	M24 X 2	525	390	830	610	1150	845
1" - 12	370	275	955	705	1350	995	M30 X 3.5	960	705	1510	1120	2100	1550
1-1/8" - 7	480	355	1080	795	1750	1290	M30 X 2	1060	785	1680	1240	2320	1710
1 1/8" - 12	540	395	1210	890	1960	1440	M36 X 3.5	1730	1270	2650	1950	3660	2700
1 1/4" - 7	680	500	1520	1120	2460	1820	M36 X 2	1880	1380	2960	2190	4100	3220
1 1/4" - 12	750	555	1680	1240	2730	2010							
1 3/8" - 6	890	655	1990	1470	3230	2380							
1 3/8" - 12	1010	745	2270	1670	3680	2710							
1 1/2" - 6	1180	870	2640	1950	4290	3160							
1 1/2" - 12	1330	980	2970	2190	4820	3560							

¹ in-tpi = nominal thread diameter in inches-threads per
² N · m = newton-meters
³ ft-lb= foot pounds
⁴ mm x pitch = nominal thread diameter in millimeters x

Torque tolerance + 0%, -15% of torquing values. Unless otherwise specified use torque values listed above.

Section 7: Appendix

Notes



Warranty

Land Pride warrants to the original purchaser that this Land Pride product will be free from defects in material and workmanship beginning on the date of purchase by the end user according to the following schedule when used as intended and under normal service and conditions for personal use.

Overall Unit: One year Parts and Labor

Gearbox and Driveline: One year Parts and Labor

This Warranty is limited to the replacement of any defective part by Land Pride and the installation by the dealer of any such replacement part, and does not cover common wear items such as blades, belts, tines, etc. Land Pride reserves the right to inspect any equipment or parts which are claimed to have been defective in material or workmanship.

This Warranty does not apply to any part or product which in Land Pride's judgment shall have been misused or damaged by accident or lack of normal maintenance or care, or which has been repaired or altered in a way which adversely affects its performance or reliability, or which has been used for a purpose for which the product is not designed. Misuse also specifically includes failure to properly maintain oil levels, grease points, and driveline shafts.

Claims under this Warranty must be made to the dealer which originally sold the product and all warranty adjustments must be made through such dealer. Land Pride reserves the right to make changes in materials or design of the product at any time without notice.

This Warranty shall not be interpreted to render Land Pride liable for damages of any kind, direct, consequential, or contingent to property. Furthermore, Land Pride shall not be liable for damages resulting from any cause beyond its reasonable control. This Warranty does not extend to loss of crops, any expense or loss for labor, supplies, rental machinery or for any other reason.

No other warranty of any kind whatsoever, express or implied, is made with respect to this sale; and all implied warranties of merchantability and fitness for a particular purpose which exceed the obligations set forth in this written warranty are hereby disclaimed and excluded from this sale.

This Warranty is not valid unless registered with Land Pride within 30 days from the date of purchase by the end user.



Corporate Office: P.O. Box 5060
Salina, Kansas 67402-5060 USA
www.landpride.com

Free Manuals Download Website

<http://myh66.com>

<http://usermanuals.us>

<http://www.somanuals.com>

<http://www.4manuals.cc>

<http://www.manual-lib.com>

<http://www.404manual.com>

<http://www.luxmanual.com>

<http://aubethermostatmanual.com>

Golf course search by state

<http://golfingnear.com>

Email search by domain

<http://emailbydomain.com>

Auto manuals search

<http://auto.somanuals.com>

TV manuals search

<http://tv.somanuals.com>