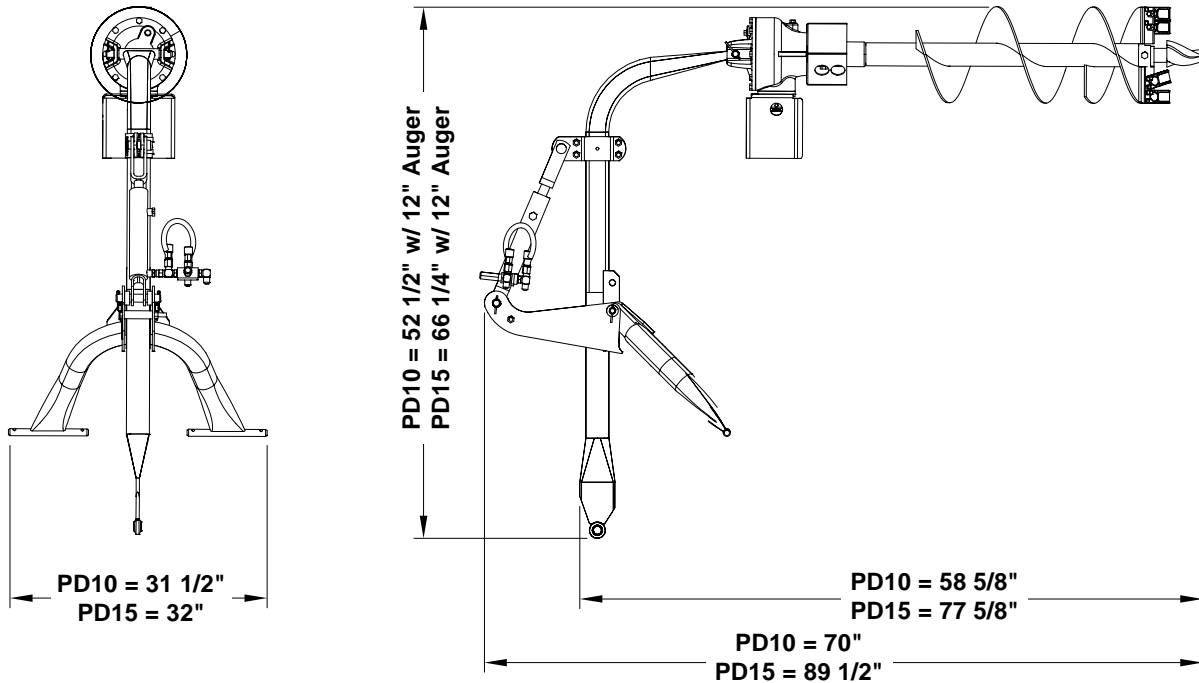


Post Hole Diggers

PD10 and PD15 Series		
	PD10	PD15
Tractor HP Range	15 to 30 HP	20 to 40 HP
Weight Without Auger	120 lbs.	161 lbs.
Auger Length	30"	48"
Auger Flight Thickness	1/4"	
Auger Pipe	2 1/2" ID	
Auger Teeth	Forged, Individually Replaceable 40 Degree angle installed on flat side 50 Degree angle installed on angled side	
Number of Teeth	6" - 2 teeth 9" & 12" - 4 teeth	
Pilot	Cast steel, 3 drill points	
Driveline	Cat. II Shearbolt	
Maximum Operating PTO Speed	300 RPM	
Gearbox	540 RPM 3:1 Ratio	540 RPM 3.18:1 Ratio
Output Shaft	2" O.D. Round	
3-Point Hitch Cat.	Cat. I	
Boom Tube	2 7/8" O.D.	
Yoke Tube	2 7/8" O.D.	
Options and Accessories		
Auger Sizes (Options)	6", 9", or 12"	6", 9", or 12"
Auger Extensions (Accessories)	7" & 14" Extensions Available	
Cat. III Torque Limiter Driveline	Not Available	Not Available
Hydraulic Down Pressure Kit	Available	Available
Storage Stand	Available	Available



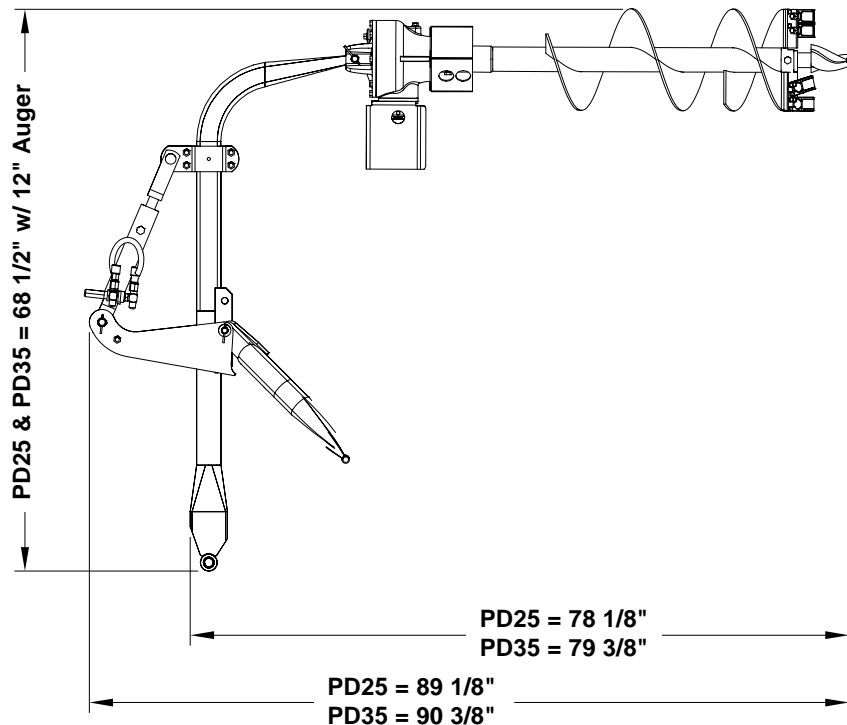
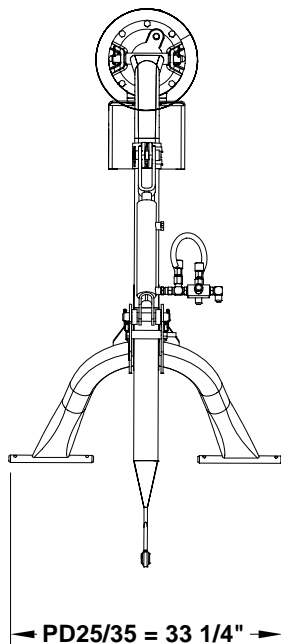
Designs, specifications, features and information are subject to change without notice.

26776

Post Hole Diggers

PD25 and PD35 Series

	PD25	PD35
Tractor HP Range	25 to 55 HP	30 to 75 HP
Weight Without Auger	186 lbs.	233 lbs.
Auger Length	48"	
Auger Flight Thickness	1/4"	
Auger Pipe	2 1/2" ID	
Auger Tooth Construction	Forged, Individually Replaceable 40 Degree angle installed on flat side 50 Degree angle installed on angled side	
Number of Teeth	(6" - 2 teeth) (9" & 12" - 4 teeth) (15" - 5 teeth) (18" - 6 teeth) (24" - 8 teeth)'	
Pilot	Cast steel, 3 drill points	
Driveline Cat.	Cat. III Shear bolt - Standard Cat. III Radial pin clutch - Optional (Recommended on Auger Sizes 15" and above.)	
Maximum Operating PTO Speed	300 RPM	
Gearbox	540 RPM 3.18:1 Ratio	540 RPM 4:1 Ratio
Output Shaft	2" O.D. Round	
3-Point Hitch Cat.	Cat. I & II	
Boom Tube	3 1/2" O.D.	3 1/2" O.D.
Yoke Tube	2 7/8" O.D.	
Options and Accessories		
Auger Sizes (Options)	6", 9", 12", 14", 18", or 24"	
Auger Extensions (Accessories)	7" & 14" Extensions Available	
Cat. III Torque Limiter Driveline	Available	Available
Hydraulic Down Pressure Kit	Available	Available
Storage Stand	Available	Available



Designs, specifications, features and information are subject to change without notice.

26776

Free Manuals Download Website

<http://myh66.com>

<http://usermanuals.us>

<http://www.somanuals.com>

<http://www.4manuals.cc>

<http://www.manual-lib.com>

<http://www.404manual.com>

<http://www.luxmanual.com>

<http://aubethermostatmanual.com>

Golf course search by state

<http://golfingnear.com>

Email search by domain

<http://emailbydomain.com>

Auto manuals search

<http://auto.somanuals.com>

TV manuals search

<http://tv.somanuals.com>