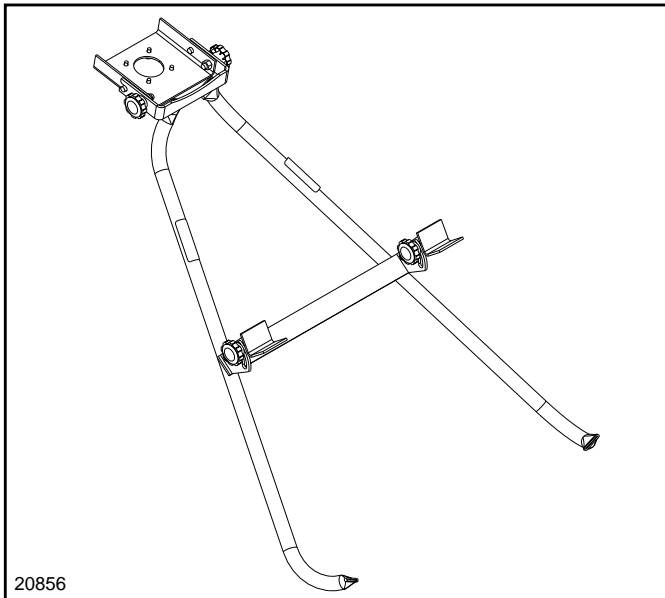


# Post Hole Digger Storage Stand Assembly Instructions

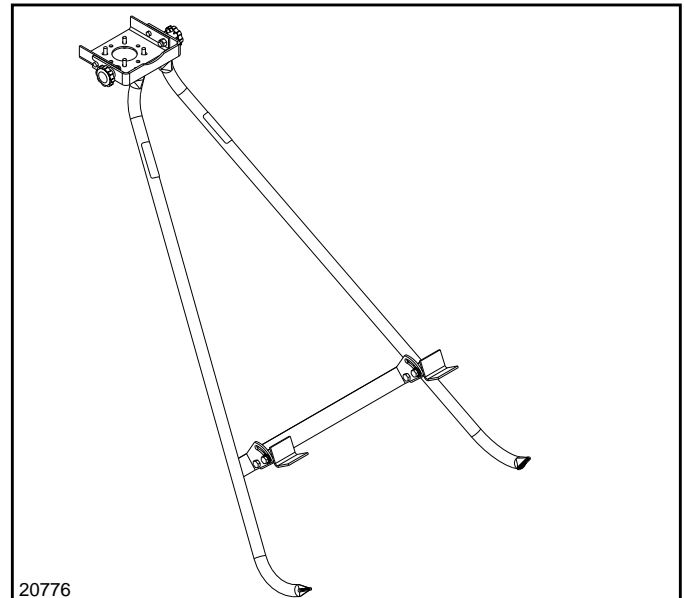


For PD10, PD15, PD25 & PD35 Post Hole Diggers

Manual No. 317-189M



PD10 Storage Stand  
Figure 1



PD15, 25, and 35 Storage Stand  
Figure 2

## Before You Start



When you see this symbol, the subsequent instructions and warnings are serious - follow them without exception. Your life and the lives of others depend on it!

**IMPORTANT:** Before you begin, read these instructions and check to be sure all parts and tools are accounted for. Please retain these installation instructions for future reference and parts ordering information.

Your Storage Stand is exclusively designed for your Land Pride PD10, PD15, DP25 & PD35 Post Hole Diggers. Please read these installation instructions and your Post Hole Digger Operator's Manual thoroughly before beginning. Especially read information relating to safety concerns. Also included in the Operator's Manual is important information on operation, adjustment, troubleshooting, and maintenance for this attachment (some manual sections do not apply to all accessories).

A separate Parts Manual for your digger is available free of charge at [www.landpride.com](http://www.landpride.com) or can be purchased from your nearest Land Pride dealer. Have the model and serial number of your Storage Stand handy when placing an order.

### Manual Part Numbers:

- Operator's Manual . . . . . 317-048M
- Parts Manual . . . . . 317-048P

## General Information

These assembly instructions apply to the following Storage Stand Accessories listed below:

- 317-166A PD10 Storage Stand
- 317-142A PD15, PD25, & PD35 Storage Stand

### Tools required:

- Safety glasses
- Work gloves
- Two 9/16" box end or open end wrenches
- Two 3/4" box end or open end wrenches

## Further Assistance

Your dealer wants you to be satisfied with your new Mower Jack. If for any reason you do not understand any part of this manual or are not satisfied with the service received, the following actions are suggested:

1. Discuss the matter with your dealership service manager. Make sure he has had time to assist you.
2. If you are still not satisfied, seek out the owner or general manager and explain the problem.
3. For further assistance write to:

Land Pride Service Department  
1525 East North Street  
P.O. Box 5060  
Salina, Ks. 67402-5060

E-mail address  
[lp servicedept@landpride.com](mailto:lp servicedept@landpride.com)

## PD10 Assembly

### PD10 Assembly

#### Part No. 317-166A

A detailed listing of parts for this accessory kit is provided on page 3. Use the list as a checklist to inventory parts received. Please contact your local Land Pride dealer for any missing hardware.

#### Refer to Figure 1 on page 1:

The optional storage stand may be used when PD10 Post Hole Digger is not in operation. It will help prolong digger's life by keeping the unit off the ground where moisture and debris are more likely to collect causing undue damage to the digger. Also, the storage stand aids in mounting and dismounting the Post Hole Digger to and from the tractor.

#### PD10 Storage Stand Assembly

##### Refer to Figure 3:

The Storage Stand Assembly consists of an A-frame storage stand (#7), clamping knobs (#13), cradle (#5), and a bag of (4) - 5/16" x 3/4" long bolts.

1. Unscrew locknuts (#10) and remove 1/2"-13 x 3 1/2" GR5 hex head bolts (#9). Slide auger (#1) off of gearbox output shaft.
2. Remove existing hex head cap screws (#8), lockwashers (#11) and flat washers (#12) from underside of gearbox. Remove auger guard (#3).
3. Position cradle (#5) between auger guard (#3) and gearbox (#14). Make sure cradle pins (#2) are positioned to the back as shown.
4. Use four new hex head bolts (#8), lock washers (#11) and flat washers (#12) in hardware bag to attach cradle (#5) and existing guard (#3) to gearbox (#14).
5. Reattach auger to gearbox output shaft with existing auger bolts (#9) and locknuts (#10).

#### PD10 Storage Stand Operation

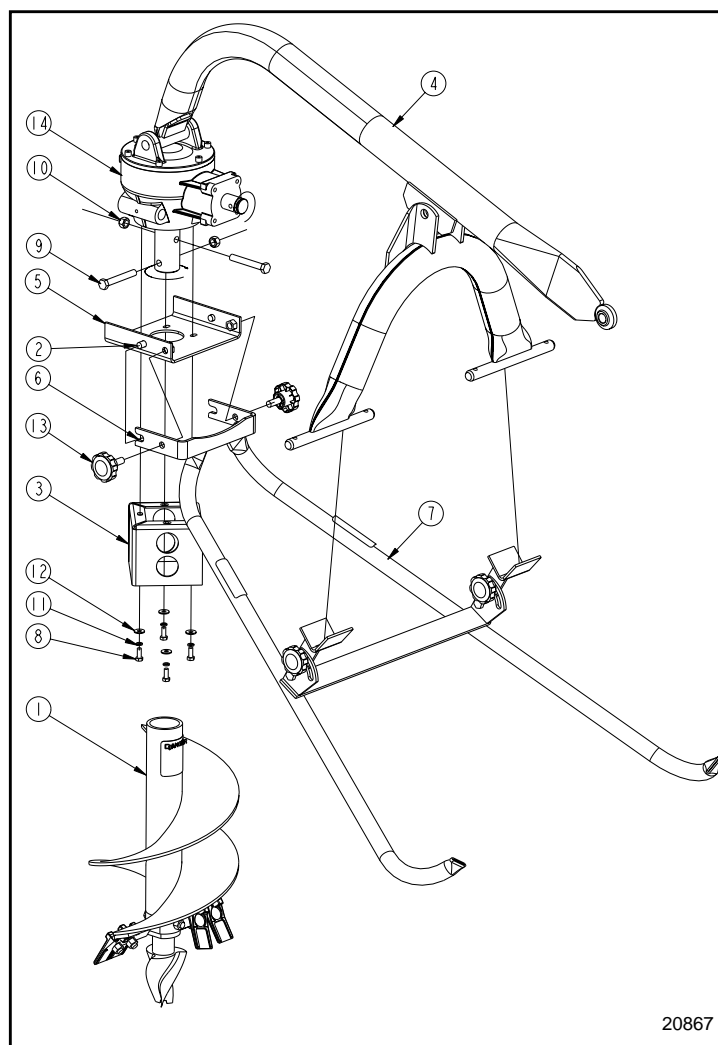
##### Refer to Figure 3:

Lower auger tip to the ground at the location you plan to disconnect the Post Hole Digger from the tractor. Set tractor park brakes, turn tractor engine off, and remove ignition key before dismounting tractor. Always chock tractor wheels for an extra measure of safety if you stop on a gentle slope.

**NOTE:** Do not disconnect Post Hole Digger from a tractor on a steep slope. Injury to personnel and equipment may result.

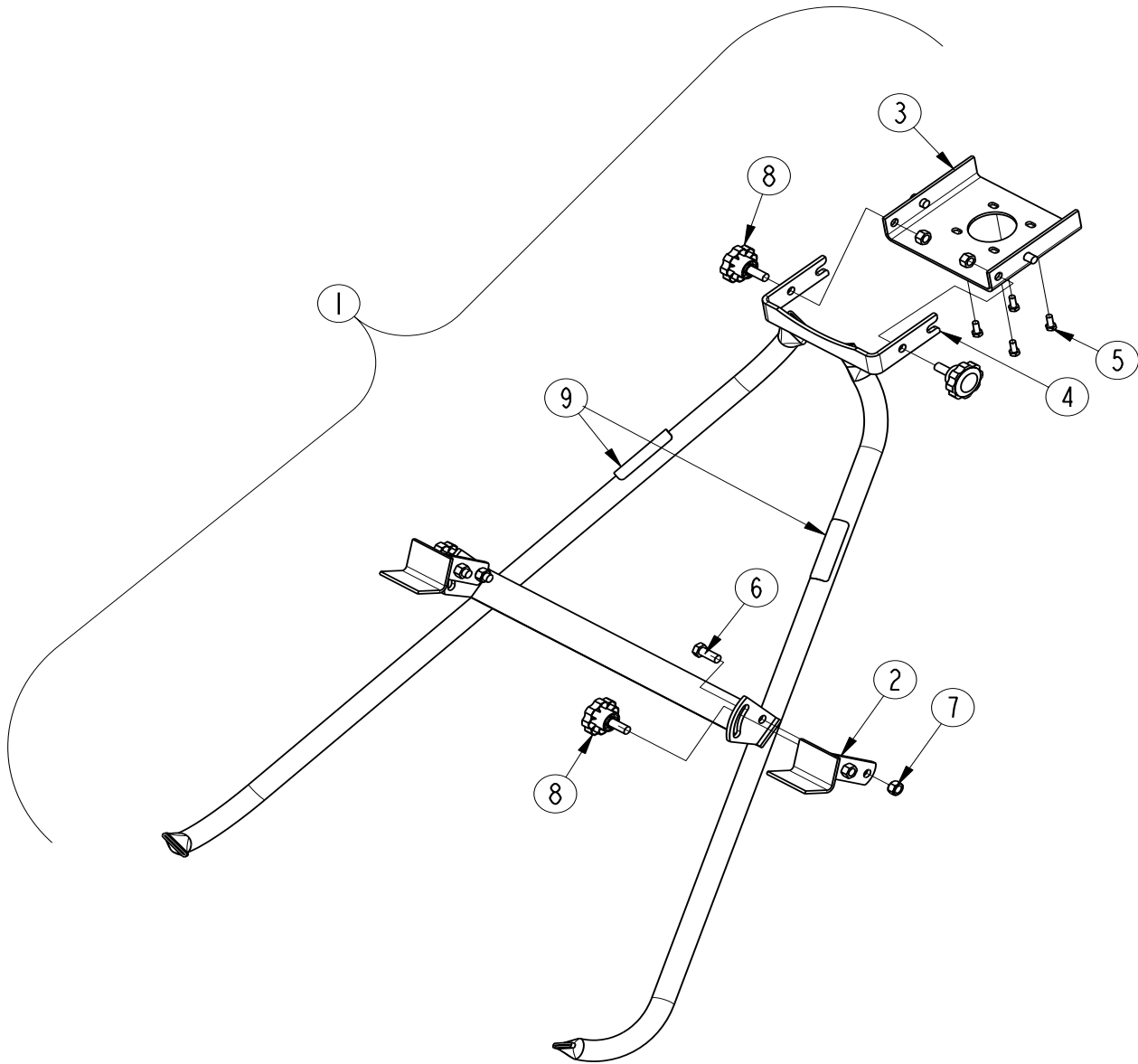
Attach storage stand (#7) to cradle (#5).

1. Make certain guide slots (#6) at end of storage stand are securely positioned over cradle pins (#2). Secure storage stand to cradle with clamping knobs (#13).
2. Without starting the tractor, lower boom (#4) to rest yoke hitch pins securely in support angles on the storage stand. Some adjustment to the support angles may be required.
3. Disconnect three-point hitch.
4. Start tractor and drive away being careful not to catch on the Post Hole Digger and Storage Stand.



PD10 Storage Stand Assembly  
Figure 3

**Listing of Parts**



**Kit No. 317-166A**

**PD10 Storage Stand Assembly**

Item	Part No.	Part Description	Qty
1	317-166A	PD10 STAND ASSEMBLY	
2	317-148H	PD STAND HITCH WELDMENT	2
3	317-164H	PD10 STAND CRADLE WELDMENT	1
4	317-165H	PD10 STAND WELDMENT	1
5	317-167B	PD10 STAND HARDWARE BAG	1
6	802-034C	HHCS 1/2-13X1 1/4 GR5	2
7	803-147C	NUT HEX NYLOCK 1/2-13	2
8	817-455C	KNOB 1/2-13 MALE THD 2 3/8OD	2
9	838-298C	DECAL CAUTION DO NOT LEAN ON	2

## PD15, PD25, & PD35 Assembly

### PD15, PD25, & PD35 Assembly

#### Part No. 317-142A

A detailed listing of parts for this accessory kit is provided on page 5. Use the list as a checklist to inventory parts received. Please contact your local Land Pride dealer for any missing hardware.

#### Refer to Figure 2 on page 1:

The optional storage stand may be used when the PD15, PD25, and PD35 Post Hole Digger is not in operation. It will help prolong digger's life by keeping the unit off the ground where moisture and debris are more likely to collect causing undue damage to the digger. Also, the storage stand design aids in mounting and dismounting the Post Hole Digger to and from the tractor.

#### PD15, 25, & 35 Storage Stand Assembly

##### Refer to Figure 4:

The Storage Stand Assembly consists of an A-frame storage stand (#4), clamping knobs (#11), cradle (#5), and a bag of (4) - 3/8"-16 x 1" long GR5 bolts:

1. Unscrew locknuts (#8) and remove 1/2"-13 x 3 1/2" GR5 hex head bolts (#7). Slide auger (#13) off of gearbox output shaft.
2. Remove existing hex head cap screws (#6), lockwashers (#10) and flat washers (#9) from underside of gearbox. Remove auger guard (#1).
3. Position cradle (#5) between auger guard (#1) and gearbox (#12). Make sure cradle pins (#3) are positioned to the back as shown.
4. Use four new hex head bolts (#6), lock washers (#10) and flat washers (#9) in hardware bag to attach cradle (#5) and existing guard (#1) to gearbox (#12).
5. Reattach auger to gearbox output shaft with existing auger bolts (#7) and locknuts (#8).

#### PD15, 25, & 35 Storage Stand Operation

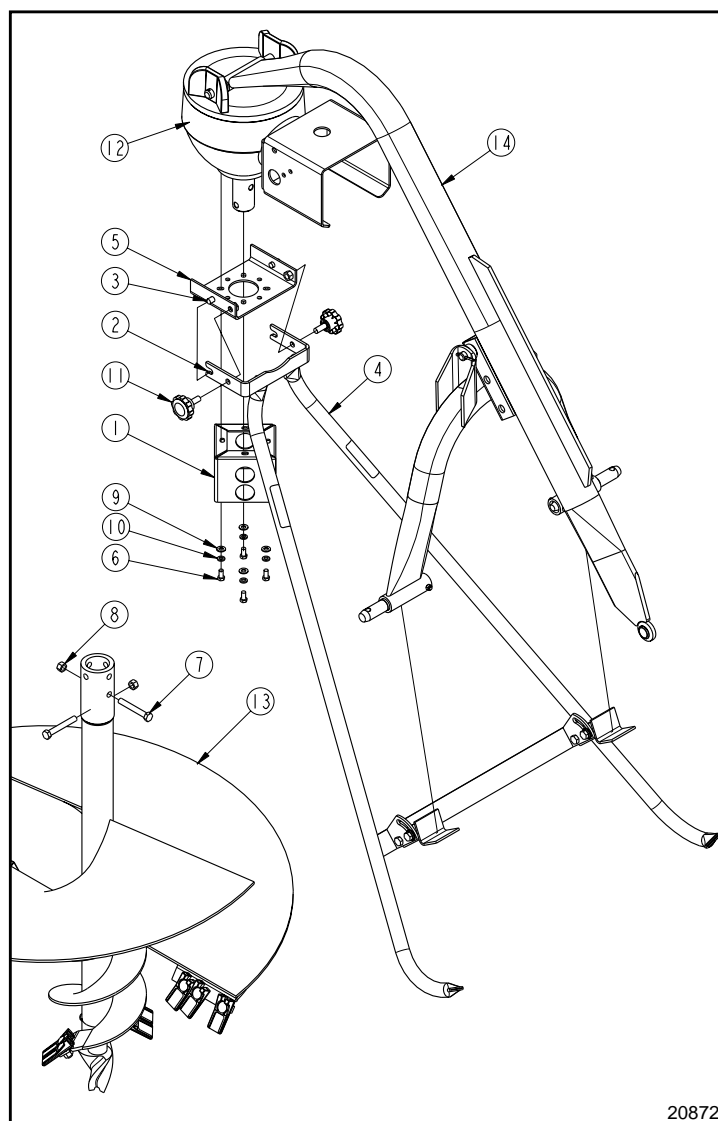
##### Refer to Figure 4:

Lower auger tip to the ground at the location you plan to disconnect the Post Hole Digger from the tractor. Set tractor park brakes, turn tractor engine off, and remove ignition key before dismounting tractor. Always chock tractor wheels for an extra measure of safety if you stop on a gentle slope.

**NOTE:** Do not disconnect Post Hole Digger from a tractor on a steep slope. Injury to personnel and equipment may result.

Attach storage stand (#4) to cradle (#5).

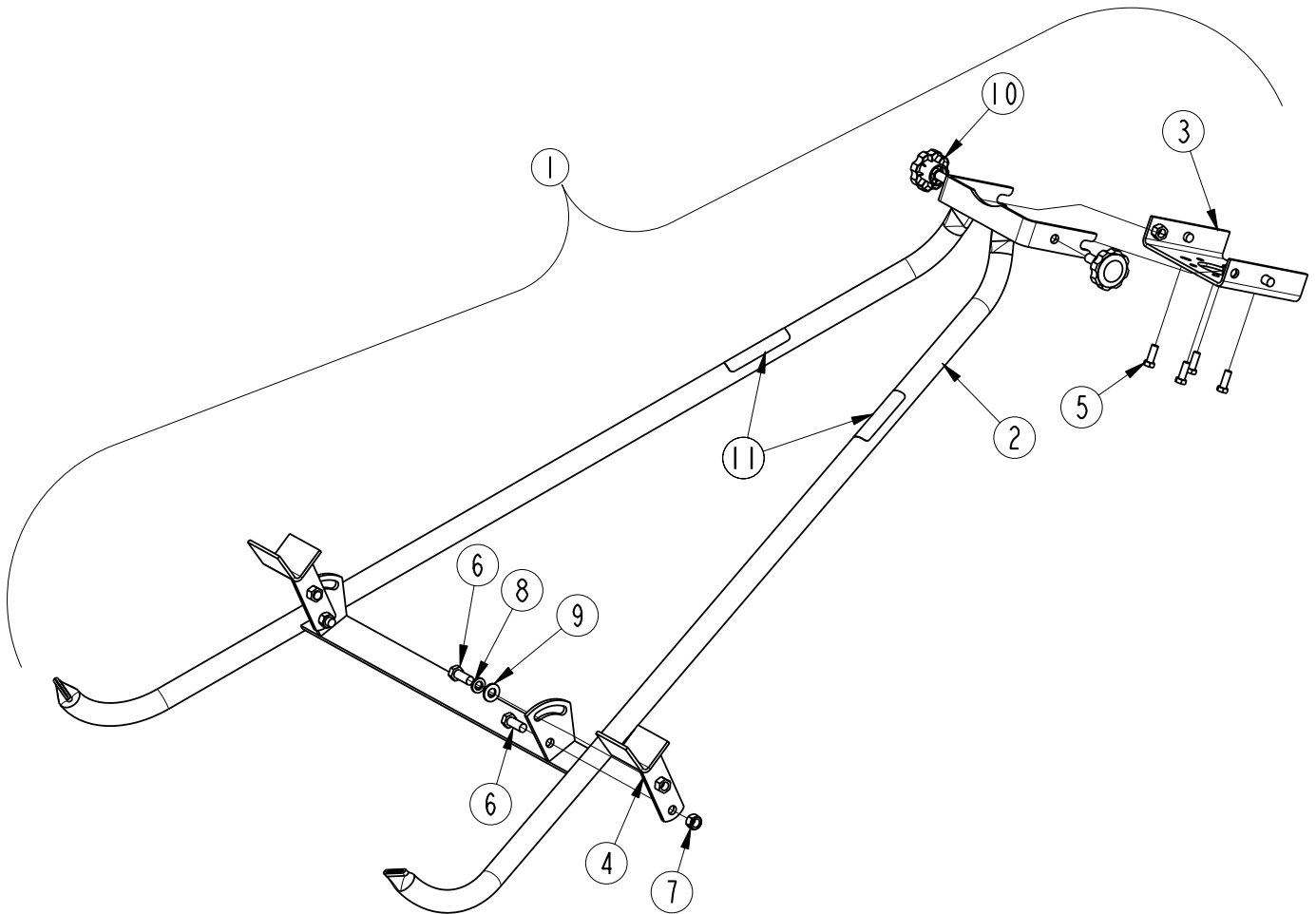
1. Make certain guide slots (#2) at end of storage stand are securely positioned over cradle pins (#3). Secure storage stand to cradle with clamping knobs (#11).
2. Without starting the tractor, lower boom (#14) to rest yoke hitch pins securely in support angles on the storage stand. Some adjustment to the support angles may be required.
3. Disconnect 3-point hitch.
4. Start tractor and drive away being careful not to catch on the Post Hole Digger and Storage Stand.



20872

PD15, 25, and 35 Storage Stand Assembly  
Figure 4

## Listing of Parts



### Kit No. 317-142A

### PD15, PD25 & PD35 Storage Stand Assembly

Item	Part No.	Part Description	Qty
1	317-142A	PD15, PD25 & PD35 STAND ASSEMBLY	1
2	317-143H	PD STAND HITCH WELDMENT	1
3	317-144H	PD STAND CRADLE WELDMENT	1
4	317-148H	PD STAND HITCH WELDMENT	2
5	317-153B	PD STAND HARDWARE BAG	1
6	802-034C	HHCS 1/2-13X1 1/4 GR5	4
7	803-147C	NUT HEX NYLOCK 1/2-13	2
8	804-015C	WASHER LOCK SPRING 1/2 PLT	2
9	804-016C	WASHER LFAT 1/2 SAE PLT	2
10	817-455C	KNOB 1/2-13 MALE THD 2 3/8OD	2
11	838-298C	DECAL CAUTION DO NOT LEAN ON	2



Corporate Office: P.O. Box 5060  
Salina, Kansas 67402-5060 USA  
[www.landpride.com](http://www.landpride.com)

## Free Manuals Download Website

<http://myh66.com>

<http://usermanuals.us>

<http://www.somanuals.com>

<http://www.4manuals.cc>

<http://www.manual-lib.com>

<http://www.404manual.com>

<http://www.luxmanual.com>

<http://aubethermostatmanual.com>

Golf course search by state

<http://golfingnear.com>

Email search by domain

<http://emailbydomain.com>

Auto manuals search

<http://auto.somanuals.com>

TV manuals search

<http://tv.somanuals.com>