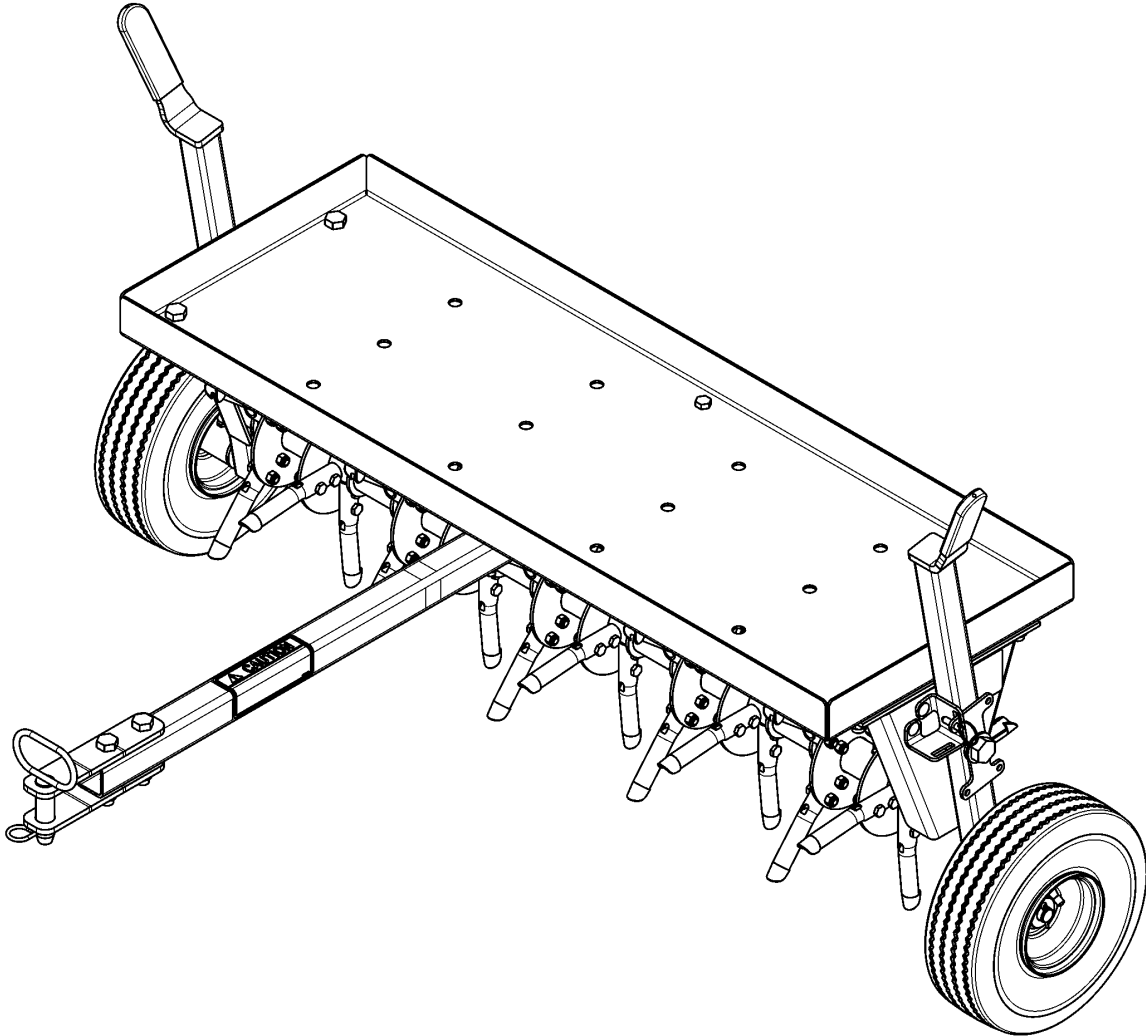


Core Aerators

CA0540, CA0548 & CA0556



27940

325-108P Parts Manual



Read the Operator's manual entirely. When you see this symbol, the subsequent instructions and warnings are serious - follow without exception. Your life and the lives of others depend on it!

© Copyright 2010 Printed 01/20/10

Cover photo may show optional equipment not supplied with standard unit.





Table of Contents

Section 1: Introduction.....4
Using This Manual.....4
Manual Replacement Information.....4
Manual Revisions.....4
Touch-up Paint.....4
Hardware Legend.....5
Replacement Hardware.....5
Serial Numbers.....5
Part Number Service Coding.....5

CA05 SERIES

Section 2: Frame & Hitch.....6
Frame & Hitch Components CA0540.....6
Frame & Hitch Components CA0548 & 0556.....8
Section 3: Rotors.....10
Rotor Assembly CA05.....10
Section 4: Labels.....12
Label Placement.....12
Section 5: Options.....14
Transport Axle Side Mount.....14

Part Number Index.....16

© Copyright 2010. All rights reserved.

Land Pride provides this publication “as is” without warranty of any kind, either expressed or implied. While every precaution has been taken in the preparation of this manual, Land Pride assumes no responsibility for errors or omissions. Neither is any liability assumed for damages resulting from the use of the information contained herein. Land Pride reserves the right to revise and improve its products as it sees fit. This publication describes the state of this product at the time of its publication, and may not reflect the product in the future. The illustrations in this manual are not intended for safe and proper assembly or disassembly of equipment. The illustrations are intended for ordering parts only.

Land Pride is registered trademark.

All other brands and product names are trademarks or registered trademarks of their respective holders.

Printed in the United States of America.



Alphabetized Table of Contents

CA05 SERIES

F

Frame & Hitch Components CA0540.....6
Frame & Hitch Components CA0548 & 0556.....8

L

Label Placement.....12

R

Rotor Assembly CA05.....10

T

Transport Axle Side Mount.....14

General Information

Using This Manual

This manual is divided into sections. The first section contains General Information. The remaining sections divide the machine into segments (i.e. Frames, Drives, Hydraulics, etc.) which illustrate and list all parts. A Parts Number Index is located at the back of the book.

The Land Pride parts in this manual are specially designed for this machine and should be replaced with Land Pride parts only.

The information in this manual is current at time of printing. Some parts may change to assure top performance.

Right-hand and left-hand as used in this manual are determined by facing the direction the machine will travel while in use.

Below is an example of two facing pages from a parts manual. Familiarize yourself with the type of information contained on these pages.

Manual Replacement Information

Replacement manuals are available. Refer to our website at www.landpride.com or e-mail us at lit@landpride.com for additional information. Our website continues to provide the most up-to-date manuals available.

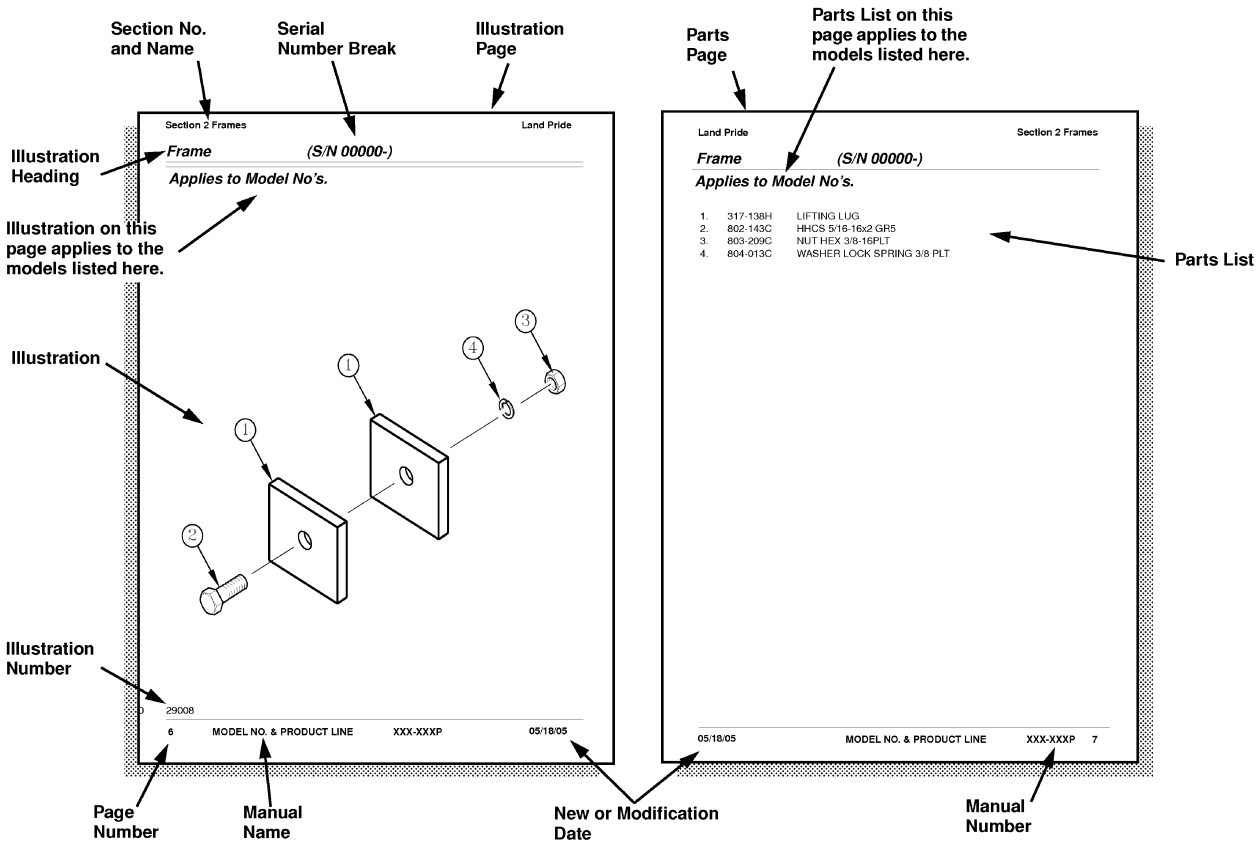
Touch-up Paint

Repaint parts where paint is worn or scratched to prevent rust. Aerosol cans and touch-up bottles with brush applicator are available through your local dealer. Land Pride color descriptions and part numbers are listed below. Also available are quart and gallon size paints. Add QT or GL to end of the Aerosol P/N.

Color	Product ¹	Aerosol	Touch-Up
Gloss Black	LP	821-032C	821-032CTU
Medium Gloss Black	UV	821-053C	821-053CTU
Beige	LP	821-011C	821-011CTU
Green	SLP	821-058C	821-058CTU
Orange	SLP	821-066C	821-066CTU
Red	SLP/UV	821-054C	821-054CTU
Blue	SLP/UV	821-067C	821-067CTU
Dark Green Sparkle	UV	821-055C	821-055CTU
Gondo Forest Green	UV	821-057C	821-057CTU
Brite Yellow ²	UV	821-056C	821-056CTU
Gondo Yellow ³	UV	821-059C	821-059CTU

Notes:

- LP = All Land Pride Products except Utility Vehicles
SLP = Select Land Pride Products that are available in optional Green, Orange, Red, & Blue colors.
UV = Utility Vehicles
- Used on Trekers and (Runabouts with S/N 407628-)
- Used on Gondos and (Runabouts with S/N 407629+)



General Information

Hardware Legend

AR	As Required
BLADE	Blade Bolt
C	Cap Screw
CP	Cotter Pin
CPHSSS	Cup Point Hex Socket Set Screw
CPSHSS	Cup Point Square Head Set Screw
CPSQHSS	Cup Point Square Head Set Screw
CRFCHMS3	Cross Recess Flat Countersunk Head Machine Screw
CRPHMS	Cross Recess Pan Head Machine Screw
CRPHTF	Cross Recess Pan Head Thread Forming
CRRHMS	Cross Recess Round Head Machine Screw
CRTHMS	Cross Recess Truss Head Machine Screw
CSNB	Countersunk Square Neck Bolt
FHMS	Flat Head Machine Screw
FTC	Full Thread Cap Screw
H	Hex Nut
HCLN	Hex Center Lock Nut
HFLCS	Hex Flange Lock Cap Screw
HFS	Hex Flange Screw
HFSLN	Hex Flange Serrated Lock Nut
HFSS	Hex Flange Serrated Screw
HHCS	Hex Head Cap Screw or Metric Bolt
HSBHCS	Hex Socket Button Head Cap Screw
HSFCHCS	Hex Socket Flat Countersunk Head Cap Screw
HSHCS	Hex Socket Head Cap Screw
HSSS	Hex Socket Head Screw
HTLN	Hex Top Lock Nut
HWHCS	Hex Washer Head Cap Screw

HWHMS	Hex Washer Head Machine Screw
HXBHCS	Hex Socket Button Head Cap Screw
J	Hex Jam Nut
JIC	37 Degree Tapered Thread
L	Helical Spring Lock Washer
LUG	Lug Bolt
NFC	National Fine Cap Screw
NPSM	National Pipe Straight Mechanical
NPTF	National Pipe Taper Fuel
P	Wide Plain Washer
PHMS	Pan Head Machine Screw
PLOW	Plow Bolt
RHMS	Round Head Machine Screw
RHSNB	Round Head Square Neck Bolt
SCREW LEVELING	Leveling Screw
SCREW THUMB	Thumb Screw
SCREW WELD	Weld Screw
SFCHMS	Slotted Flat Countersunk Head Machine Screw
SFHMS	Slotted Fillister Head Machine Screw
SP	Special
SP SCREW	Special Screw
SQHSS	Square Head Set Screw
SRHMS	Slotted Round Head Machine Screw
SSS	Socket Set Screw
STCS	Self Tapping Cap Screw
STHMS	Slotted Truss Head Machine Screw
WHEEL	Wheel Studs and Hub Long Bolts
WING	Wing Bolt

Replacement Hardware

The **Hardware Legend** above lists hardware abbreviations used in the parts list. All bolts and nuts are Grade 5 unless otherwise noted. The use of improper grades of hardware can result in personal injury, damage to equipment, or loss of property.

Colored Replacement Parts

Land Pride offers replacement parts in factory standard colors and also on select models in Green, Orange, Red and Blue. Because of the variety of colors available, special attention must be given to the part number to prevent ordering the wrong replacement part.

A suffix number corresponding to one of the colors below must be added at the end of Land Pride's part number when ordering a replacement part with that color.

- | | |
|-----------------------------------|---------------------------------|
| 81 Green | 83 Red |
| 82 Orange | 84 Blue |

For example, if you are ordering a replacement part with part number 555-555C and the part you need is red, then add the suffix 83 to the end of the number to make the part number read 555-555C83. Parts ordered without a suffix number will be supplied in factory standard colors.

Black Replacement Parts

Some parts are factory standard black and some must be special ordered black. If your part is special ordered black, a second part number with the additional suffix number 85 on the end will be available. In this situation you must order that part with the suffix number for it to be black. Parts that are factory standard black will not have the suffix number.

Part Number Service Coding

Within the parts list some part numbers are coded for revisions and interchangeability. See notations in revision column.

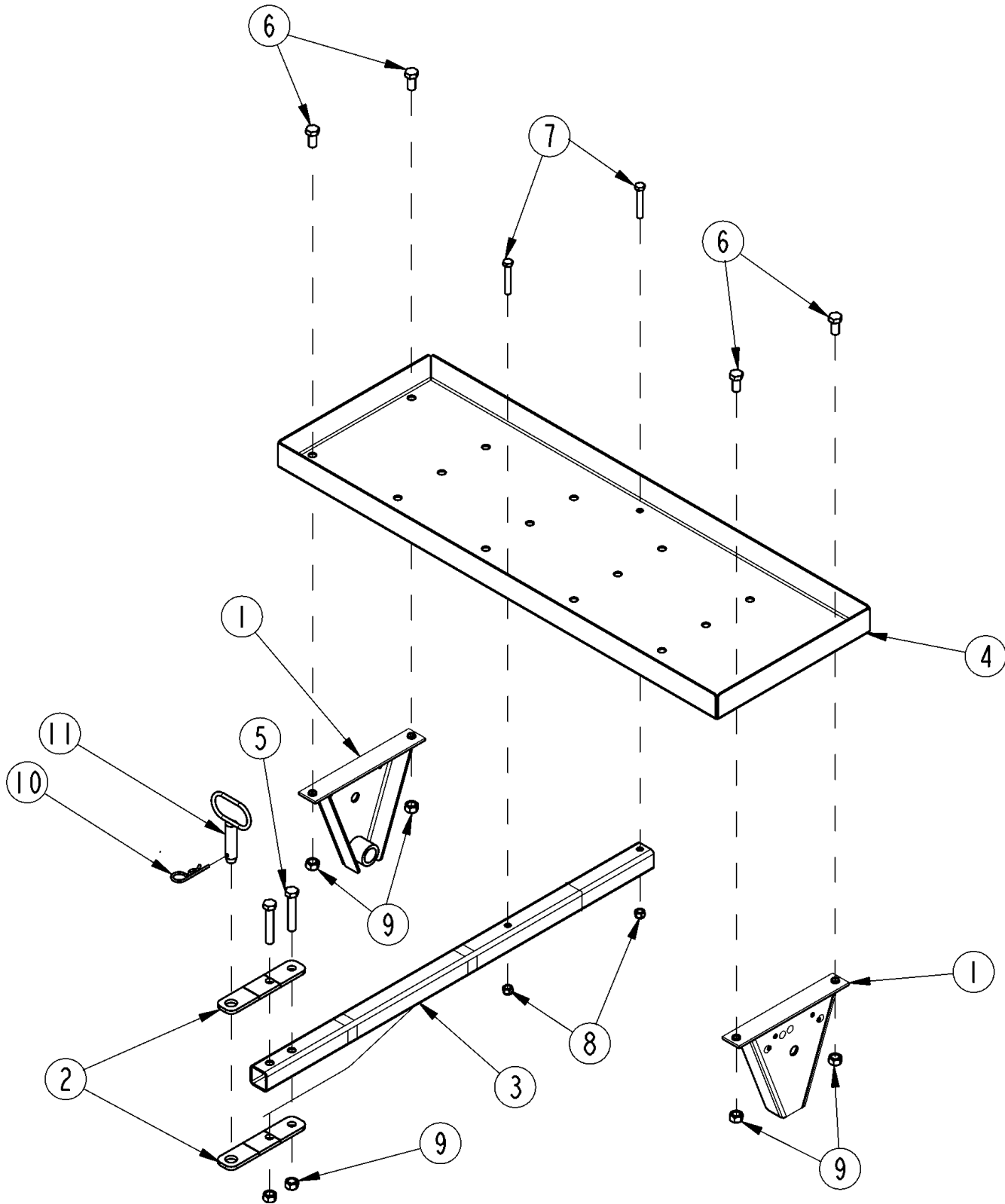
Serial Numbers

Always use the serial and model number when ordering parts. Refer to the Operator's Manual for serial number plate location.

- | | |
|----------------------|--|
| (S/N 20001+) | Includes serial numbers 20001 and above (to the latest number) |
| (S/N 10001 to 20000) | Includes serial numbers between and including 10001 and 20000 |
| (S/N 10000-) | Includes serial numbers 10000 and below (to the earliest number) |

Frame & Hitch Components CA0540

Applies to CA0540



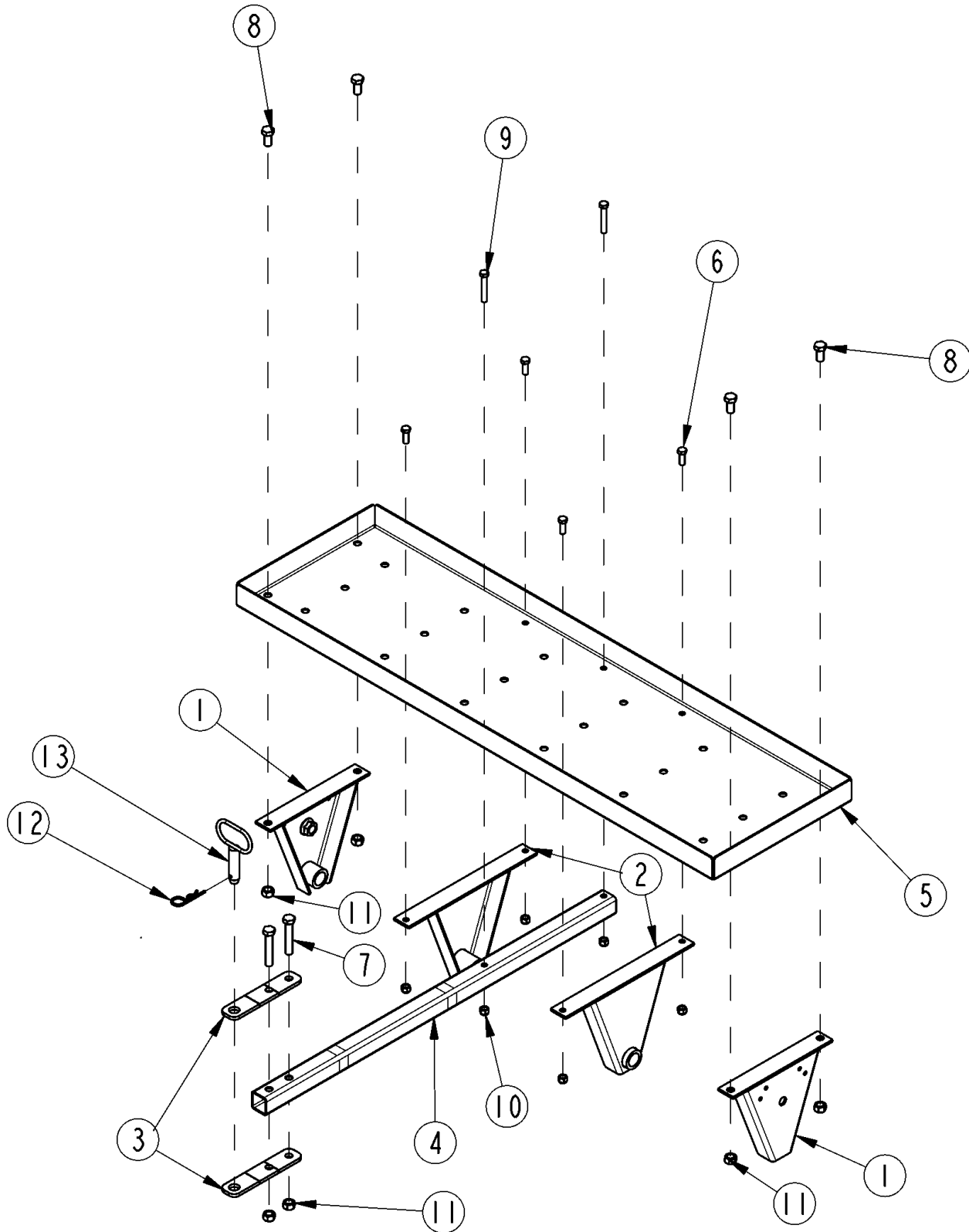
27933

Frame & Hitch Components CA0540**Applies to CA0540**

Ref	Part No.	Part Description	Comments	Revision
	dwg27933	Drawing Image Number		
1.	325-097H	WMT, END PANEL		
1.	325-097H	WMT, END PANEL		
1.	325-097H82			
1.	325-097H82	WMT, END PANEL ORANGE		
2.	325-162D	STRAP, HITCH TONGUE		
2.	325-162D82	STRAP, HITCH TONGUE ORANGE		
3.	325-166D	TUBE, PULL HITCH		
3.	325-166D82	TUBE, PULL HITCH ORANGE		
4.	325-238D	WEIGHT TRAY, CA0540		
4.	325-238D82	WEIGHT TRAY, CA0540 ORANGE		
5.	802-226C	HHCS 1/2-13X2 3/4 GR5		
6.	802-258C	HHCS 1/2-13X1 GR5		
7.	802-382C	HHCS 3/8-16X2 1/4 GR5		
8.	803-078C	NUT LOCK 3/8-16 NYLON INSERT		
9.	803-147C	NUT HEX NYLOCK 1/2-13		
10.	805-032C	PIN HAIR COTTER .148 WIRE		
11.	805-202C	PIN 3/4OD X 2 7/32 USBL W/HNDL		

Frame & Hitch Components CA0548 & 0556

Applies to CA0548, CA0556



27936

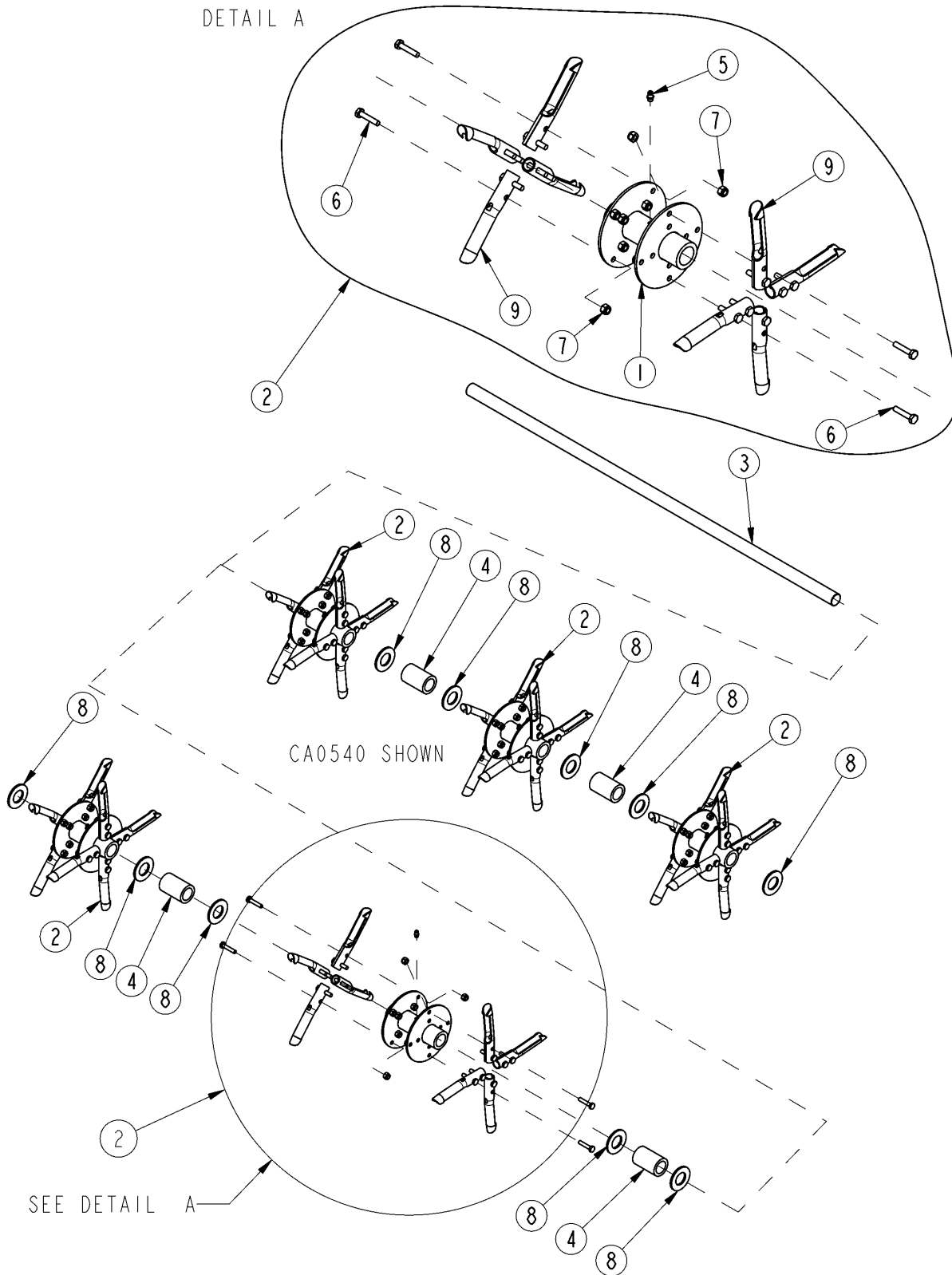
Frame & Hitch Components CA0548 & 0556**Applies to CA0548, CA0556**

Ref	Part No.	Part Description	Comments	Revision
	dwg27936	Drawing Image Number		
1.	325-097H	WMT, END PANEL		
1.	325-097H82	WMT, END PANEL ORANGE		
2.	325-107H	WMT, CENTER SUPPORT		
2.	325-107H82	WMT, CENTER SUPPORT ORANGE		
3.	325-162D	STRAP, HITCH TONGUE		
3.	325-162D82	STRAP, HITCH TONGUE ORANGE		
4.	325-166D	TUBE, PULL HITCH		
4.	325-166D82	BENT TUBE, PULL HITCH ORANGE		
5.	325-239D	WEIGHT TRAY, CA0548		
5.	325-239D82	WEIGHT TRAY, CA0548 ORANGE		
5.	325-240D	WEIGHT TRAY, CA0556		
5.	325-240d82	WEIGHT TRAY, CA0556 ORANGE		
6.	802-017C	HHCS 3/8-16X1 GR5		
7.	802-226C	HHCS 1/2-13X2 3/4 GR5		
8.	802-258C	HHCS 1/2-13X1 GR5		
9.	802-382C	HHCS 3/8-16X2 1/4 GR5		
10.	803-078C	NUT LOCK 3/8-16 NYLON INSERT		
11.	803-147C	NUT HEX NYLOCK 1/2-13		
12.	805-032C	PIN HAIR COTTER .148 WIRE		
13.	805-202C	PIN 3/4OD X 2 7/32 USBL W/HNDL		

Rotor Assembly CA05

Applies to CA0540, CA0548, CA0556

DETAIL A



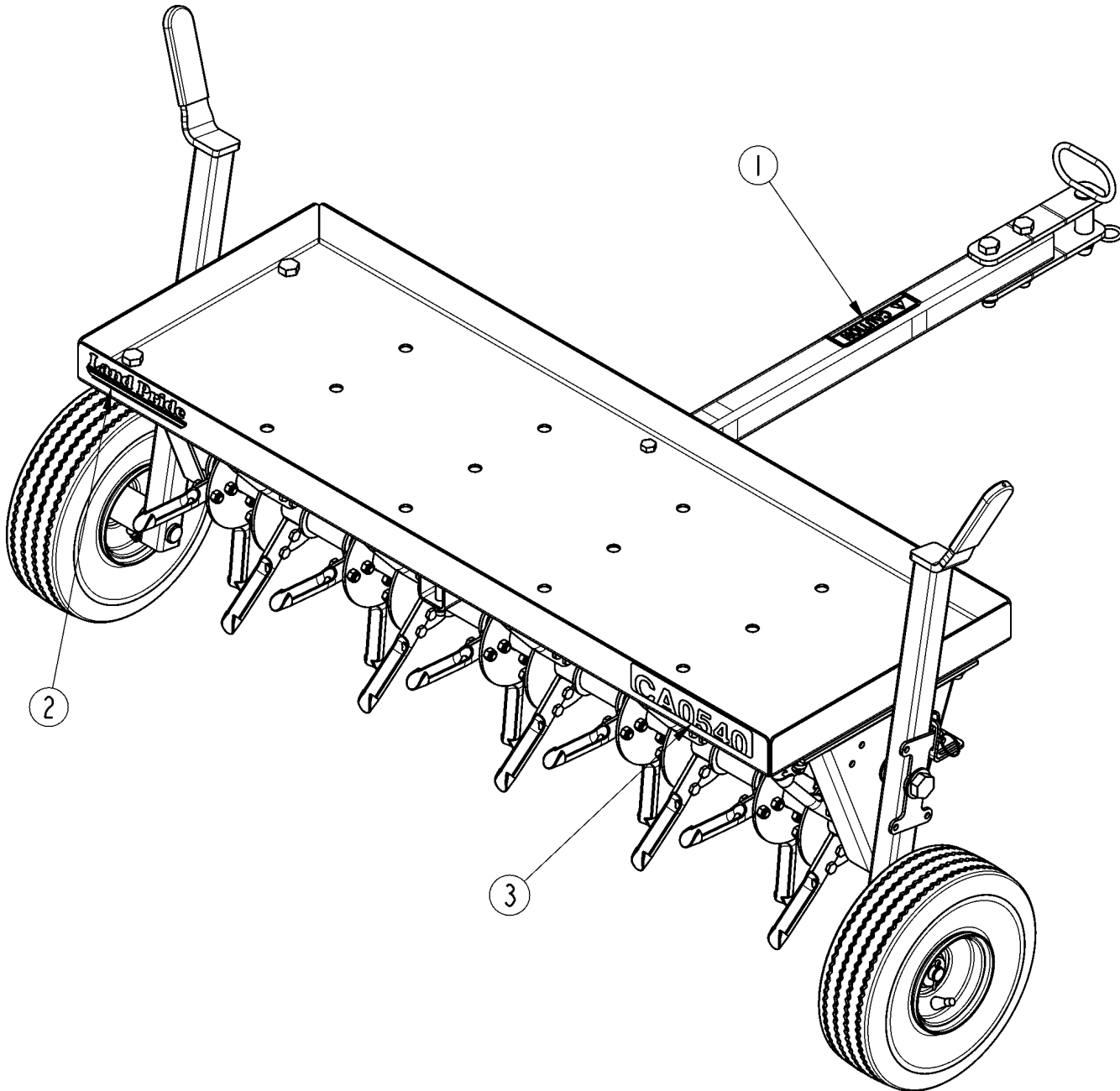
27937

Rotor Assembly CA05**Applies to CA0540, CA0548, CA0556**

Ref	Part No.	Part Description	Comments	Revision
	dwg27937	Drawing Image Number		
1.	325-098H	WMT, ROTOR		
2.	325-099S	ASY, ROTOR		
3.	325-160D	SHAFT, 40 AERATOR ROTOR		
3.	325-174D	SHAFT, 48 AERATOR ROTOR		
3.	325-175D	SHAFT, 56 AERATOR ROTOR		
4.	325-161D	PIPE SCH 80 1X2 5/16L BLACK		
5.	800-080C	GREASE ZERK 1/4-28 THD FORMING		
6.	802-167C	HHCS 1/4-20X1 1/2 GR5		
7.	803-255C	NUT HEX NYLOCK 1/4-20		
8.	804-029C	WASHER FLAT 1 SAE		
9.	820-420C	1/2" HARDENED AERATOR SPOON	CA0540 40 Total, CA0548 48 Total & CA0556 56 Total	

Label Placement

Applies to CA0540, CA0548, CA0556



27938

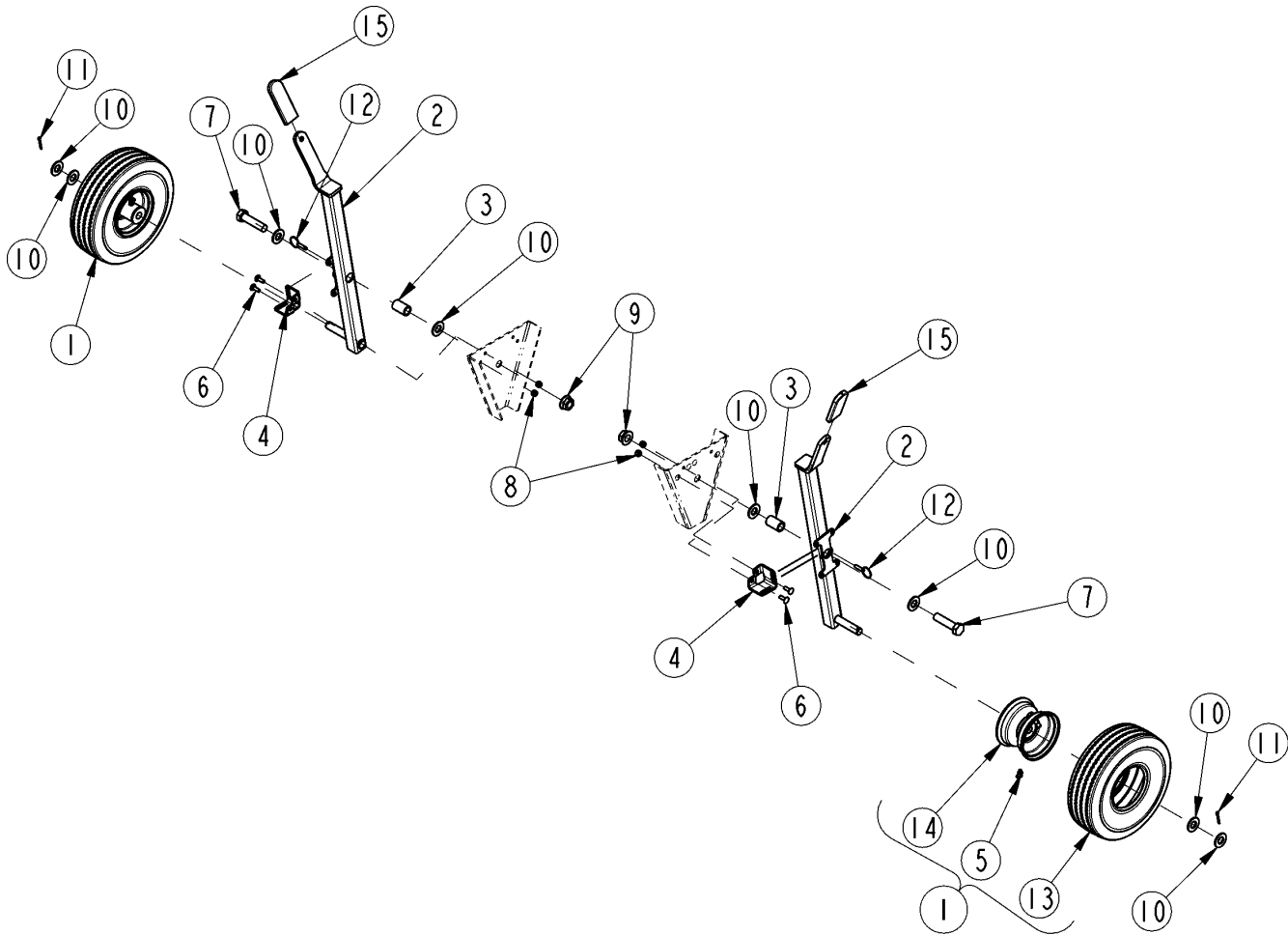
Label Placement

Applies to CA0540, CA0548, CA0556

Ref	Part No.	Part Description	Comments	Revision
	dwg27938	Drawing Image Number		
1.	818-719C	DECAL CAUTION GENERAL INSTR		
2.	838-936C	DECAL LANDPRIDE 6" - BROWN	Beige Unit	
2.	838-967C	DECAL LANDPRIDE 6" BROWN/GOLD	Orange Unit	
3.	848-425C	DECAL CA0540-BROWN	Beige Unit	
3.	848-426C	DECAL CA0548-BROWN	Beige Unit	
3.	848-427C	DECAL CA0556-BROWN	Beige Unit	
3.	848-429C	DECAL CA0540-GOLD	Orange Unit	
3.	848-430C	DECAL CA0548-GOLD	Orange Unit	
3.	848-431C	DECAL CA0556-GOLD	Orange Unit	

Transport Axle Side Mount

Applies to CA0540, CA0548, CA0556



27972

Transport Axle Side Mount**Applies to CA0540, CA0548, CA0556**

Ref	Part No.	Part Description	Comments	Revision
	dwg27972	Drawing Image Number		
	325-143A	ASY, CA05 TRNSPRT WHEEL *		
1.	325-103S	TIRE/RIM ASY10X3 1/4-4SAWTOOTH		
2.	325-142H	ARM WMT, TRNSPRT WHEEL		
3.	325-234D	BSHG, TRNSPRT WHEEL PIVOT		
4.	325-235D	LOCK BRKT, TRNSPRT WHEEL		
5.	800-136C	ZERK 1/4-28 X 45 DEG SELF-TAP		
6.	802-002C	RHSNB 1/4-20X3/4 GR5		
7.	802-058C	HHCS 5/8-11X2 1/2 GR5		
8.	803-255C	NUT HEX NYLOCK 1/4-20		
9.	803-263C	NUT HEX FLANGE LOCK 5/8-11 PLT		
10.	804-021C	WASHER FLAT 5/8 SAE PLT		
11.	805-363C	PIN COTTER 1/8 X 1		
12.	805-405C	PIN 1/4 X 1/2 COTTERLESS HITCH		
13.	814-375C	TIRE, 10X3 1/4-4 2PLY SAWTOOTH		
14.	814-376C	RIM, 4X2 1/2 W/GRAFOIL BSHG		
15.	817-246C	GRIP HANDLE .84 ID X 4 LG		



Part Number Index

The Part Number Index is a numeric index of all part numbers included in this manual. The index shows what page(s) the part is used on.

<u>Part Number</u>	<u>Page</u>
325-097H	7, 9
325-097H82	7, 9
325-098H	11
325-099S	11
325-103S	15
325-107H	9
325-107H82	9
325-142H	15
325-143A	15
325-160D	11
325-161D	11
325-162D	7, 9
325-162D82	7, 9
325-166D	7, 9
325-166D82	7, 9
325-174D	11
325-175D	11
325-234D	15
325-235D	15
325-238D	7
325-238D82	7
325-239D	9
325-239D82	9
325-240D	9
325-240d82	9
800-080C	11
800-136C	15
802-002C	15
802-017C	9
802-058C	15
802-167C	11
802-226C	7, 9
802-258C	7, 9
802-382C	7, 9
803-078C	7, 9
803-147C	7, 9
803-255C	11, 15
803-263C	15
804-021C	15
804-029C	11
805-032C	7, 9
805-202C	7, 9
805-363C	15
805-405C	15
814-375C	15
814-376C	15
817-246C	15
818-719C	13
820-420C	11
838-936C	13
838-967C	13
848-425C	13
848-426C	13
848-427C	13
848-429C	13
848-430C	13
848-431C	13
dwg27933	7
dwg27936	9
dwg27937	11
dwg27938	13
dwg27972	15

This Page Intentionally Left Blank



Great Plains Manufacturing, Inc.

Corporate Office: P.O. Box 5060
Salina, Kansas 67402-5060 USA

www.landpride.com

Free Manuals Download Website

<http://myh66.com>

<http://usermanuals.us>

<http://www.somanuals.com>

<http://www.4manuals.cc>

<http://www.manual-lib.com>

<http://www.404manual.com>

<http://www.luxmanual.com>

<http://aubethermostatmanual.com>

Golf course search by state

<http://golfingnear.com>

Email search by domain

<http://emailbydomain.com>

Auto manuals search

<http://auto.somanuals.com>

TV manuals search

<http://tv.somanuals.com>