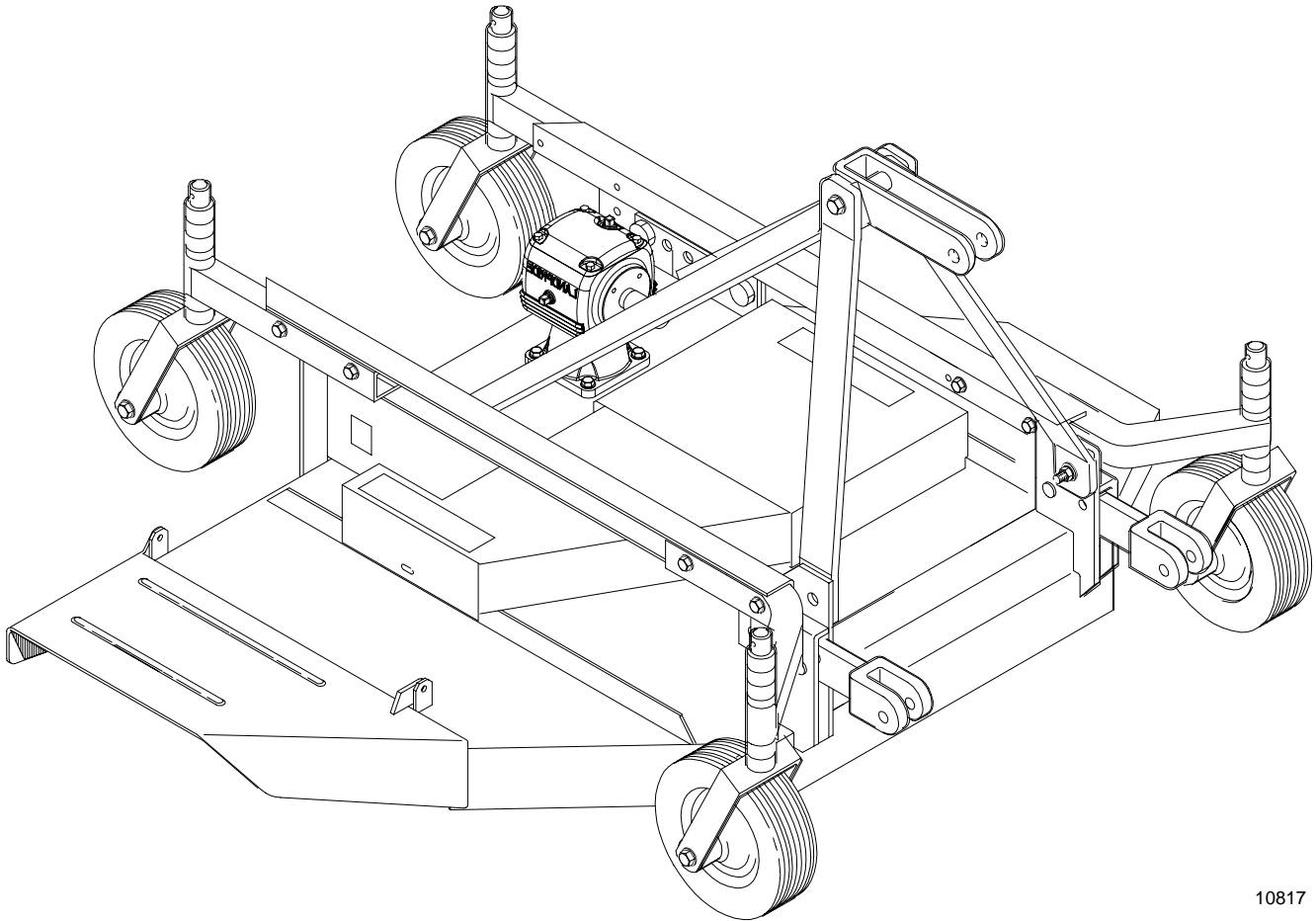


2-Spindle Grooming Mower

FD2548



10817

310-156M Operator's Manual



Read the Operator's manual entirely. When you see this symbol, the subsequent instructions and warnings are serious - follow without exception. Your life and the lives of others depend on it!

© Copyright 2004 Printed 1/29/04

Cover photo may show optional equipment not supplied with standard unit.



INTRODUCTION

This manual has been prepared to instruct you in the safe and efficient operation of your 25 Series Grooming Mower. Read and follow all instructions and safety precautions carefully.

The parts on your 25 Series Grooming Mower have been specially designed and should only be replaced with genuine Land Pride parts. Therefore, should your Grooming Mower require replacement parts go to your Land Pride Dealer.



The **SAFETY ALERT SYMBOL** indicates that there is a potential hazard to personal safety involved and extra safety precautions must be taken. When you see this symbol on your machine or in your manual, be alert and carefully read the message that follows it.

Record your model number and serial number in the space provided below. Be sure to bring this information with you to your dealer when ordering parts or attachments for your Grooming Mower.

SERIAL NUMBER _____

MODEL NUMBER _____

DATE PURCHASED _____

TABLE OF CONTENTS

Introduction	1
Table Of Contents	1
Safety Rules	2
Safety Decals	3
Nut & Bolt Torquing Chart	4
Tractor Requirements	4
Gearbox Gear Lube	4
Assembly Instructions	4
Tractor Hook-Up	5
Powershaft Installation	5
Floating & Front To Back Hitch Adjustments	5
Leveling The Mower	
Three And Four Gauge Wheels	6
Two Rear Gauge Wheels & Support Chains	6
Cutting Height Adjustment	7
Transporting	7
Mowing Instructions & Adjustments	7
Operating Instructions	8
Operating Check List	8
Specifications	8
Maintenance	9
Lubrication	9
Storage	10
Options	
Anti-Scalping Roller Assembly Instructions	10
Chain Kit Assembly Instructions	11
Trouble Shooting	12
Warranty	13

PARTS DRAWINGS

48" Flat Deck Mower Deck	14
Flat Deck Mower Belt Drive	16
Comer Gearbox Assembly	18
IEG Gearbox Assembly	20
Gauge Wheel Assembly	22
Power Take-Off	24
Options	
Front Anti-Scalping Roller	25
Chain Kit	26
Safety Decal Placement	27
Mower Decal Placement	28

 **SAFETY RULES** 

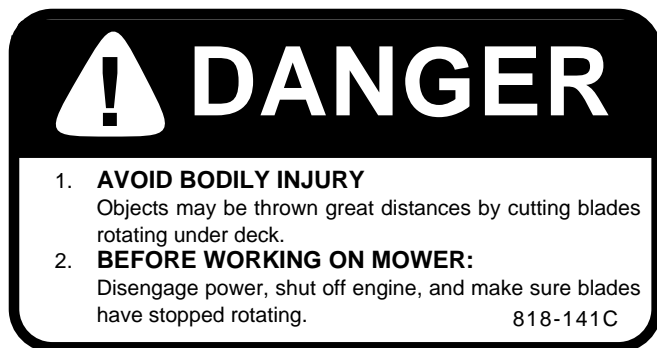
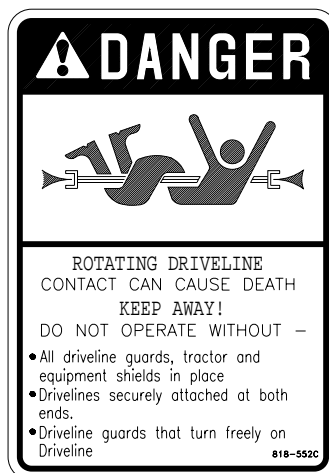
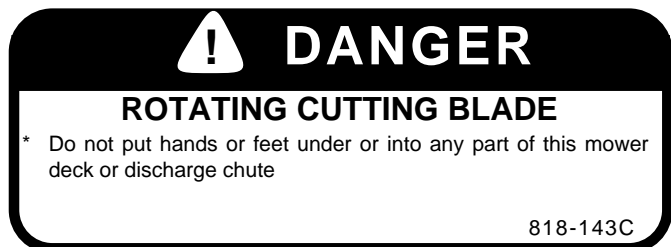
Most accidents are the result of negligence and carelessness, usually caused by failure of the operator to follow simple but necessary safety precautions. The following safety precautions are suggested to help prevent such accidents. The safe operation of any machinery is a big concern to consumers and manufacturers. Your 48" Grooming Mower has been designed with many built-in safety features. However, no one should operate this machine before carefully reading this Owner's Manual.

1. **DO NOT** allow anyone to operate this machine who has not been properly trained in its safe operation.
2. Keep all guards and shields in place and secure.
3. Always use proper PTO speed or machine damage may result. This mower is designed to be used with a tractor having a 540 rear PTO.
4. **DO NOT** let children operate the mower.
5. **NEVER** allow passengers.
6. **DO NOT** allow anyone but the operator near the mower when operating.
7. Before performing maintenance or making adjustments on the mower, shut off the tractor, disengage PTO, remove key from ignition, wait for all moving parts to stop and lock brakes before dismounting tractor. Be sure mower is securely blocked on safe supporting stands or set completely on the ground.
8. After striking an object, disengage PTO, shut off tractor and inspect for damage before continuing.
9. **DO NOT** operate mower too close to ditches. Be alert for holes and gullies. Travel slowly over rough terrain.
10. Transport mower only in a raised position.
11. Stop engine before leaving tractor.
12. Be certain the tractor is in neutral or park position and the PTO is disengaged before starting engine.
13. Check periodically for loose hardware and tighten if necessary.
14. Keep hands, feet and clothing away from moving parts. Wear proper eye protection to prevent injury from flying objects.
15. Mower should be lowered to the ground before engaging PTO and be sure that no one is near the machine. When traveling on public roads, use accessory lights and devices for adequate warning to operators of other vehicles. Comply with all Federal, State and Local Laws.
16. Before mowing, clear the area of objects and debris that could become entangled in the blades or thrown from the mower.
17. **NEVER** operate the mower while in raised transport position. Disengage the PTO when raised for transport or backing up.
18. In order to maintain steering control, ballast may need to be added to tractor. To determine the amount of ballast required refer to your tractor operator's manual.

! SAFETY RULES (CON'T.) !

19. When used in certain sandy soil conditions, there can be severe erosive wearing of the blade at the lift or wing area. This can cause pieces of the blade to separate and be discharged from the mower. These particles can cause injury or damage and may create the blade to become unbalanced and dangerous to operate.

SAFETY DECALS



--IMPORTANT--

- * Your Grooming Mower comes equipped with all safety decals in place.
- * Always keep safety decals clean and legible.
- * Replace all damaged or missing safety decals. To order new safety decals go to your Land Pride Dealer and reference part numbers as shown on page 27.
- * To install new safety decals:
 - A) Clean the area the decal is to be placed. (Refer to page 27.)
 - B) Peel backing from decal and press firmly onto surface.

NUT & BOLT TORQUING CHART

This chart is based on torque requirements in foot pounds for grade 5 bolts.

BOLT DIAMETER	MINIMUM TORQUE	MAXIMUM TORQUE	BOLT DIAMETER	MINIMUM TORQUE	MAXIMUM TORQUE
1/4"	9	11	3/4"	270	324
5/16"	17	20	7/8"	400	480
3/8"	35	42	1"	580	696
7/16"	54	64	1 1/8"	800	880
1/2"	80	96	1 1/4"	1120	1240
9/16"	110	132	1 3/8"	1460	1680
5/8"	150	180	1 1/2"	1940	2200

NOTE: Torque requirements listed above do not apply to self-locking nuts. For self-locking nuts increase torque requirements listed above by 15%.

TRACTOR REQUIREMENTS

This mower is designed with a 3-Point category I hitch. Horse power rating of tractor should not exceed 26 PTO horse power.

NOTE: In order to maintain steering control, ballast may have to be added to your tractor. To determine whether or not to add ballast, refer to your tractor operator's manual.

 **CAUTION!** DO NOT OVER SPEED PTO OR MACHINE DAMAGE MAY RESULT. THIS MOWER IS DESIGNED TO BE USED WITH A TRACTOR USING A 540 RPM REAR PTO.

GEAR BOX GEAR LUBE

Before operating this unit, 80-90 EP Gear Lube must be added to the gearbox(s) as indicated in the maintenance lubrication section (Page 9) of this manual. See your Land Pride Dealer for part number 821-012C Gear Lube.

ASSEMBLY INSTRUCTIONS

Your 25 Series Grooming Mower is shipped to you almost completely assembled. Remove the protective plastic wrap from the mower deck. Using a safe lifting device, set the mower deck on a safe supporting stand. Remove loose components - gauge wheels, gauge wheel arms and miscellaneous hardware from the top of deck. Carefully follow the instructions below for final assembly.

UPPER HITCH ARMS -

Refer to the parts illustration on page 14:

1. Loosen 5/8" x 1 1/2" long bolts (#18) and swing upper hitch (#21) up to a vertical position. Remove 5/8" x 5" long bolt (#25) and install upper hitch brace (#22) upper pivoting hitch (#23) and hitch spacer (#24) with 5/8" x 5" long bolt (#25) as shown in parts illustration. Refer to Fig. 1 on page 5, for bolting location of upper hitch brace (#22) and tighten hardware to listed torque above.

GAUGE WHEEL ASSEMBLY - 2 FRONT GAUGE WHEELS & 4 GAUGE WHEEL ASSEMBLY

Refer to the parts illustration on page 22:

1. Bolt the gauge wheel arms (#1)-front gauge wheel (#17)-rear gauge wheel, to the mounting channels on the mower frame using 3/8" x 3" long bolt (#13).

2. Insert the 1" diameter shaft of the gauge wheel yoke (#6) into the bushings on the gauge wheel arm, noting the amount of spacers added to top or bottom depending on cutting height (see "Cutting Height Adjustments"

on page 7). Secure shaft to wheel arm with 1/4" lock pin (#5). Be sure all the spacers are arranged the same on each wheel assembly. Tighten all hardware to listed torque.

GAUGE WHEEL ASSEMBLY - 3 GAUGE WHEEL ASSEMBLY

Refer to the parts illustration on page 22:

1. Bolt the gauge wheel arms (#1) to the mounting channels on the mower frame using 3/8" x 3" long bolt (#13).

2. Rear Single Gauge Wheel: Bolt the gauge wheel arm (#18) to the mounting channels of the mower frame using 3/8" x 1 1/4" Long Bolts (#19).

3. Insert the 1" diameter shaft of the gauge wheel yoke (#6) into the bushings on the gauge wheel arm, noting the amount of spacers added to top or bottom depending on cutting height (see "Cutting Height Adjustments" on page 7). Secure shaft to wheel arm with 1/4" lock pin (#5). Be sure all the spacers are arranged the same on each wheel assembly. Tighten all hardware to listed torque.

ASSEMBLY INSTRUCTIONS (CON'T.)

GRASS CHUTE ASSEMBLY -

Refer to the parts illustration on page 14:

1. Loosen upper pivot bolt (#9) and remove lower thumb screw (#17).
2. Hinge chute down and install thumb screw and flat

washer (#13) and (#17). When set at position desired, tighten down upper pivot bolt and lock nut (#9) and (#10). **DO NOT** tighten completely. Allow chute to hinge. Lock down lower thumb screw with flat washer (#13) and (#17).

DO NOT in any condition operate mower with chute removed from this position.

TRACTOR HOOK-UP

1. Be certain that tractor draw bar will not interfere. Move draw bar ahead or remove if required. Draw bar should also be checked for clearance when unit is being raised for the first time.
2. Align lower link arms of tractor to hitch clevises on mower. Insert lower hitch pins into lower ball swivels and attach lynch pins.
3. Referring to fig. 1, attach tractor top link to upper floating hitch on mower with pin supplied. Secure with lock pin.
4. Adjust the tractor top link in or out to place the upper hitch pin vertically above the lower hitch pins as shown in fig. 1(below) to allow mower flotation.

POWERSHAFT INSTALLATION

1. Slide powershaft end with extended safety cone over splined shaft of the gearbox and secure with attaching device.
2. Slide powershaft over the tractor's splined PTO shaft and secure with locking device of powershaft.
3. Powershaft should now be moved back and forth to insure that it is secure on the PTO shaft of the tractor and mower gearbox.
4. Should the powershaft require shortening:
 - a. Hold the half-shafts next to each other in the shortest working position and mark them.
 - b. Shorten inner and outer guard tubes equally.
 - c. Shorten inner and outer sliding profiles by the same length as the guard tubes.
 - d. Proper overlap is a minimum of one-half the length of each tube, with both tubes being of equal length.
 - e. Round off all sharp edges and remove burrs. Grease sliding profiles.



CAUTION! TRACTOR PTO SHIELD AND ALL MOWER GUARDS MUST BE IN PLACE AT ALL TIMES DURING OPERATION!

FLOATING AND FRONT TO BACK HITCH ADJUSTMENTS

The 3-point hitch system on this mower has been designed for front to back flotation when mowing on uneven terrain. The lower 3-point hitch blocks also are adjustable from front to back for additional field float and tractor clearance. The lower hitch blocks have a large pivot pin and a smaller locking pin, page 14 (#4) & (#5). When operating a mower equipped with four gauge wheels do not use lock pin (#4) unless desired for transport.

The mower can be operated with hitch blocks in either position. Depending upon the use of front gauge wheels, the lower hitch blocks can be used without the locking pin. If mower is not equipped with front gauge wheels and leveling chains are used, the locking pin should be installed. The lower hitch blocks and top link rear braces can be adjusted front to back as shown in fig. 1.

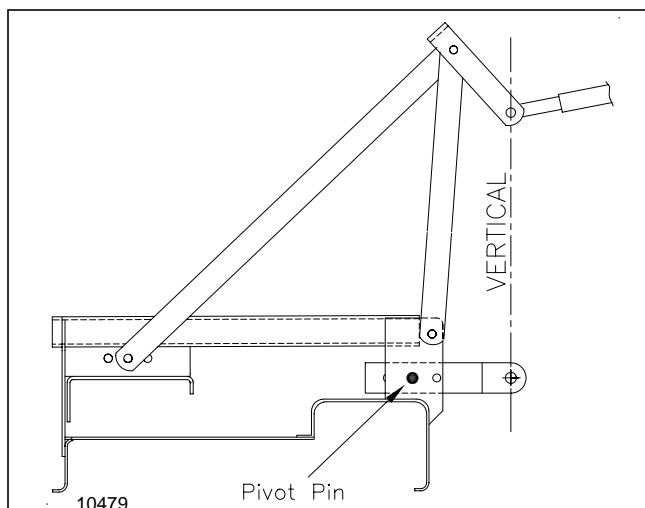


Fig. 1

LEVELING THE MOWER

THREE AND FOUR GAUGE WHEELS

NOTE: Tractor and mower should be on level ground.

1. Set lower hitches and upper floating hitch, as shown in fig. 1 on page 5.
2. Start tractor and raise mower, watching that tractor draw bar (if not removed) does not interfere with mower.
3. Slowly lower the mower until gauge wheels touch the ground and the lower mower 3-point hitch bars are parallel to the ground in floating position. Set tractor 3-point stop.
4. Set park brake and turn off tractor. Remove key from ignition.

5. Adjust the tractor top link in or out to place the upper hitch pin vertically above the lower hitch pin as shown in fig. 1 on page 5, to allow mower flotation.

6. Rotate blades parallel to direction of travel.

7. Measure the clearance from the cutting edge to the ground at front and rear of the blade. This measurement should be equal or have the blade at the front of the mower not more than 1/2" lower than the blade at the rear of the mower.

TWO REAR GAUGE WHEELS IN REAR AND SUPPORT CHAINS

FRONT TO REAR:

NOTE: Tractor and mower should be on level ground.

1. Set the lower hitches and upper floating hitch as shown in fig. 1 on page 5.
2. Start tractor and raise mower, watching that tractor draw bar (if not removed) does not interfere with mower.
3. Slowly lower mower until gauge wheels touch the ground and with mower deck close to level.
4. Set part brake and turn off tractor. Remove key from ignition.
5. Rotate mower blades parallel to direction of travel. Measure cutting edge to ground clearance on each side of the mower.
6. Measure the clearance from the cutting edge to the ground at front and rear of the blade. This measurement should be equal or have the blade at the front of the mower not more than 1/2" lower than the blade at the rear of the mower.
7. Use tractor 3-point top link to level the blade front to back. Set tractor control when level.
8. Adjust lift chains to be tight by placing chains into slots on lower chain brackets. Be sure to connect the same link on both sides. Install plastic plugs. Secure excess chain links together with the two tie straps included.

SIDE TO SIDE:

1. Set lower hitches and upper floating hitch at desired setting as shown in fig. 1 on page 5.

2. Start tractor and raise mower, watching that tractor draw bar (if not removed) does not interfere with mower.

3. Slowly lower the mower until gauge wheels touch the ground.

4. Set park brake and turn off tractor.

5. With discharge chute hinged out of the way, rotate blade 90 degrees to direction of travel. If unequal, adjust one lower lift link of tractor 3-point hitch to level mower.

6. Adjust lift chains to be tight by placing chains into slots on lower chain brackets. Be sure to connect the same link on both sides. Install chain connector. Secure excess chain links together with the two tie straps included.

CUTTING HEIGHT ADJUSTMENT

1. Using the tractor, raise the mower off the ground and support under it with secure blocking so not to let the mower drift down during maintenance.

2. Holding wheel and yoke assembly up, remove quick-lock pin from top of gauge wheel spindle. Position full length spacers and half spacer as required. All spacers on top of spindle tube allows for approximately 1" cut-

ting height. Adjustments range from 1" to a maximum of 5 1/2" in 1/2" increments. Refer to "Leveling Mower" on page 6.

NOTE: If equipped with only rear gage wheels, the mower must be leveled front to rear each time this adjustment is made.

 **CAUTION!** ENGAGE PARKING BRAKE, SHUT OFF TRACTOR, REMOVE KEY AND DISENGAGE PTO BEFORE MAKING ANY HEIGHT ADJUSTMENTS!

TRANSPORTING

IMPORTANT: Always disengage PTO before raising the mower to transport position.

1. When raising the mower to the transport position, be sure that powershaft does not contact tractor or mower. Adjust the tractor's 3-point hitch lift height so that the PTO shaft does not contact mower deck.

2. Be sure to reduce tractor ground speed when turning; and, leave enough clearance so the mower does

not contact obstacles such as buildings, trees or fences.

3. Select a safe ground travel speed when transporting from one area to another. When traveling on roadways, transport in such a way that faster moving vehicles may pass you safely.

4. When traveling over rough or hilly terrain, shift tractor to a lower gear.

 **CAUTION!** WHEN TRAVELING ON PUBLIC ROADS, WHETHER AT NIGHT OR DURING THE DAY, USE ACCESSORY LIGHTS AND DEVICES FOR ADEQUATE WARNING TO OPERATORS OF OTHER VEHICLES. COMPLY WITH ALL FEDERAL, STATE, AND LOCAL LAWS.

MOWING INSTRUCTIONS AND ADJUSTMENTS

1. Clear the area to be mowed of objects and debris that might be picked up and thrown by the mower blades.

2. Grass is best cut when it is dry. Mowing wet grass can cause plugging resulting in grass clumps behind the mower.

3. Grass should be mowed frequently as shorter clippings deteriorate faster.

4. If mowing extremely tall grass, it is best to raise

5. cutting height and mow the area, then lower cutting height and mow a second time at the desired height.

6. This mower is equipped with an adjustable grass discharge chute. Adjustments can be made by loosening the bolts on the front and rear of mower chute. With the mower chute in the raised operating position, grass is expelled away from the mower for a more even distribution of grass clippings. Lowering the mower chute will decrease the distance the grass is discharged from the mower.

 **CAUTION!** WHEN MOWING IN SANDY SOIL AREAS, WEAR MAY OCCUR TO YOUR MOWER BLADES CAUSED FROM SAND EROSION. FREQUENT INSPECTION SHOULD BE MADE AND BLADES REPLACED IF DAMAGED.

OPERATING INSTRUCTIONS

BEFORE beginning to mow, the following inspection should be performed:

1. Check oil level in gearbox. Refer to "Maintenance" & "Lubrication" on page 9 of this manual.
2. Check that all plugs in gearbox have been replaced and tightened properly.
3. Be sure all mower blades, bolts and nuts are tight.
4. Be certain all guards and shields are in place and secure.
5. Grease PTO shaft and all other grease fittings.
6. Clear the area to be mowed of rocks, branches and other foreign objects.
7. Lower mower to ground. Set tractor throttle at approximately 1/4 open. Engage PTO to start blades rotating.
8. Operate with 540 rpm PTO tractor.
9. At first begin mowing at a slow forward speed and shift up until the desired speed is achieved - maintaining 540 PTO rpm.
10. Mower blades will cut better at a faster blade speed than at reduced throttle.
11. Mowing should not be done in wet conditions as grass will stick to blades and the under side of mower deck.
12. After mowing the first 50 feet, stop and check to see that the mower is adjusted properly.
13. **DO NOT** make sharp turns or attempt to back up while mower is on the ground.
14. **DO NOT** engage PTO with mower in the fully raised position. **DO NOT** engage PTO at full throttle.

OPERATING CHECK LIST

Proper servicing and adjustments is the key to the long life of any machine. With careful and systematic inspection of the mower, you can avoid costly maintenance, time and repair.



For Safety reasons, each maintenance operation must be performed with the tractor's PTO disengaged, the mower lowered completely, tractor engine shut off and ignition key removed.

SERVICE DAILY:

1. Grease the PTO u-joint.
2. Check that all bolts are tight.

LUBRICATE EVERY 50 HOURS OF OPERATION:

1. With the mower on level ground, check the oil level in the gearbox by removing the plug in the side of the box. The oil should reach the plug hole. Fill if necessary with SAE 90 oil and retighten both plugs. **DO NOT OVERFILL!** Should your gearbox require service, take it to your LAND PRIDE dealer.

IMPORTANT: Mower should be level when checking or adding oil to the gearbox!

SPECIFICATIONS

CUTTING WIDTH	48"	BLADE SPINDLES.....	Greasable
OVERALL WIDTH.....	58 1/2"	HITCH	Cat. 1 Floating Clevis
HEIGHT	36"	GAUGE WHEELS:	Castered
LENGTH (4 WHEEL)	56"	1 REAR 2 FRONT	10 1/4 x 3 1/4 Solid Tire
WEIGHT.....	399#	GAUGE WHEELS:	Castered
CUTTING HEIGHT.....	1"-5 1/2"	2 REAR 2 FRONT	10 1/4 x 3 1/4 Solid Tire
	1/2" Increments	OPTIONAL	
DECK MATERIAL	10 Gauge	CASTER WHEEL.....	1" Diameter With Greasable Bushing
THICKNESS		SPINDLE	
BLADES - 2.....	1/4" X 2 1/2" X 24 7/8"	DRIVE TRAIN	540 RPM PTO Gearbox 2.5:1 Ratio Beveled Gears Cast Iron Housing Single V-Belt
	Heat Treated Alloy Steel		
BLADE OVERLAP	1 1/2"	GRASS CHUTE	Hinged-Adjustable
BLADE TIP SPEED	15,745FPM		

! For **SAFETY REASONS**, each maintenance operation must be performed with the tractor's PTO disengaged, the Mower lowered completely to the ground or on safely supported blocking, tractor engine shut off and ignition key removed.

Proper servicing and adjustments is the key to the long life of any machine. With careful and systematic inspection of the Grooming Mower, you can avoid costly maintenance, time and repair.

BLADE SHARPENING -

1. Blades should be sharpened at each end to the same angle as the original cutting edge.

NOTE: Care should be taken in order not to remove any more material than necessary to sharpen blade.

2. Balance each blade after sharpening.

BLADE REPLACEMENT -

IMPORTANT: ALWAYS install blade with cutting edge facing direction of rotor shaft rotation.

1. Remove cap screw and blade washer from blade to be replaced. Remove blade.

2. Install blade washer into center hole on blade.

3. Replace cap screw and lock washer and tighten bolts to proper torque. See "Nut & Bolt Torquing Chart" on page 4.

IMPORTANT: Replace blades with genuine Land Pride blades only.

! **CAUTION! BELT DRIVE SYSTEM UNDER SPRING TENSION; USE CARE TO AVOID BODILY HARM!**

V-BELT INSTALLATION -

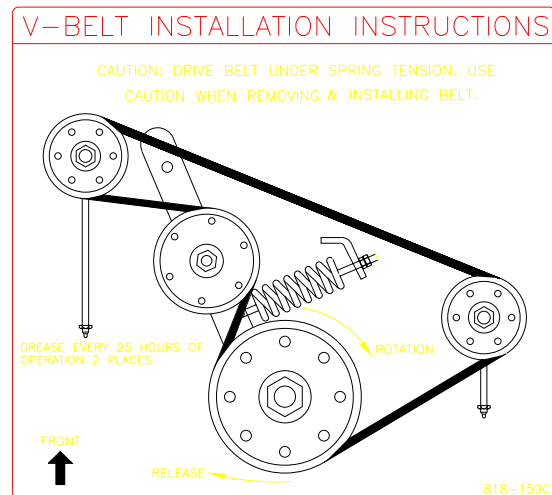
1. Remove belt covers.

2. Move belt take-up handle in a clockwise direction to relieve tension on belt.

3. With tension relieved from belt remove old belt from pulleys.

4. Install new belt referring to the figure below (also refer to the decal on top of mower deck). Be sure belt is positioned in all the pulley grooves. Release belt take-up handle to apply tension to new belt.

5. Reinstall all belt covers and secure in place with hardware.



LUBRICATION

SERVICE DAILY:

1. Grease the PTO u-joints.
2. Wheel support bushings.
3. Wheel bushing.
4. Bearing in blade spindle hubs.

NOTE: There is a small relief hole on each spindle hub casting on the underside of the deck. The relief hole releases pressure from inside the spindle hub casting when being greased. Spindle hubs should be greased until grease purges from relief hole.

SERVICE EVERY 50 HOURS OF OPERATION:

1. With the mower on level ground, check the oil level in the gearbox by removing the plug in the side of the box. The oil should reach the plug hole. If oil level is low, remove the top plug in the gearcase and fill with SAE 90 oil until oil flows from side port of the gearbox. Reinstall plugs and retighten. **DO NOT OVERFILL!** Should your gearbox require service, take it to your LAND PRIDE dealer.

IMPORTANT: Mower should be level when checking oil in gearbox!

2. Disconnect PTO shaft from the tractor and slide apart. Clean and coat the inner tube of the PTO shaft with a light film of grease and then reassemble.

STORAGE

At the end of the working season or when the mower will not be used for a long period, it is good practice to clean off any dirt or grease that may have accumulated.

Check the blades for wear and replace if necessary. See "Maintenance" on page 9.

Inspect the mower for loose, damaged or worn parts and adjust or replace if needed.

Lubricate as noted in "Lubrication" on page 9.

Repaint parts where paint is worn or scratched to prevent rust.

Remove mower drive belt from one pulley to release drive belt tension.

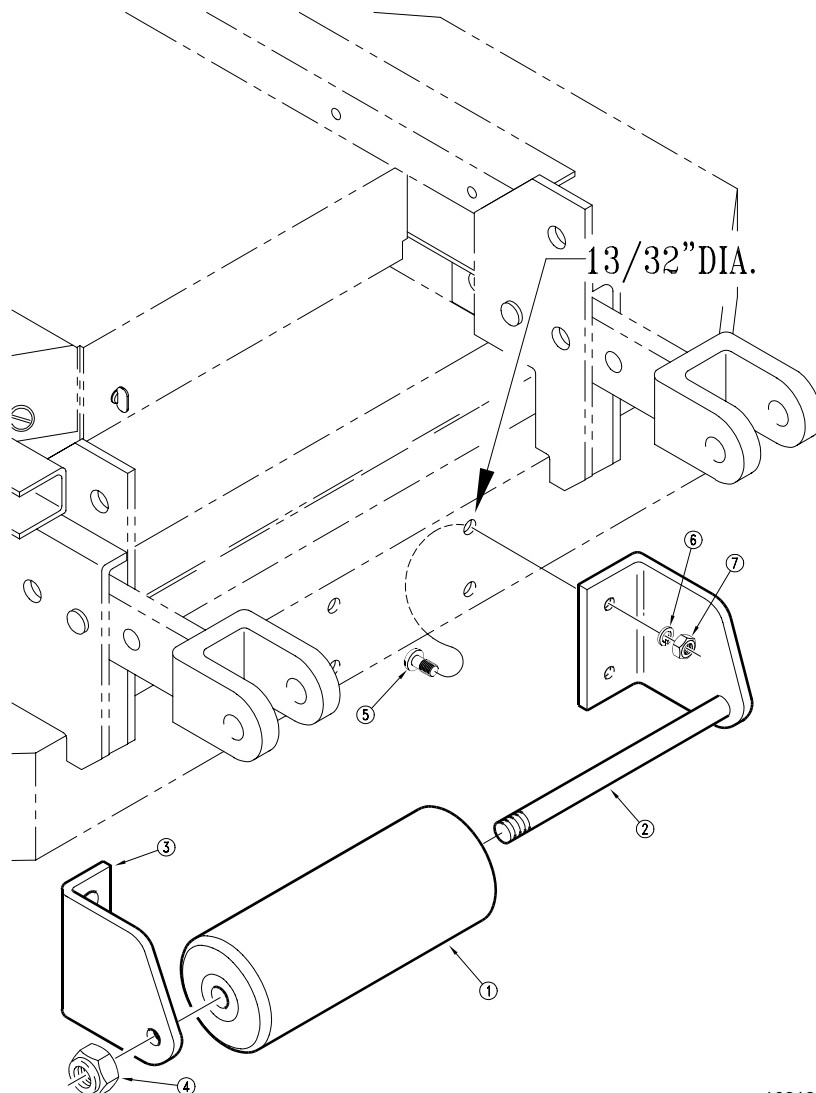
Remove belt guards, thoroughly clean the top and bottom of the mower frame.

Store mower in a clean, dry place.

OPTIONS **FRONT ANTI-SCALPING ROLLER** **ASSEMBLY INSTRUCTIONS**

Assemble item numbers 1 through 4 as shown in the illustration below. Position left hand and right hand mount brackets on mower frame making sure the roller is running parallel with bottom of the mower deck to 1" below. Mark the four center points of mounting holes in

brackets. Remove assembly and drill holes 13/32" diameter. Mount assembly to frame making sure that the pan head screws are installed as shown on illustration (head side of screw to the inside of mower deck).



10818

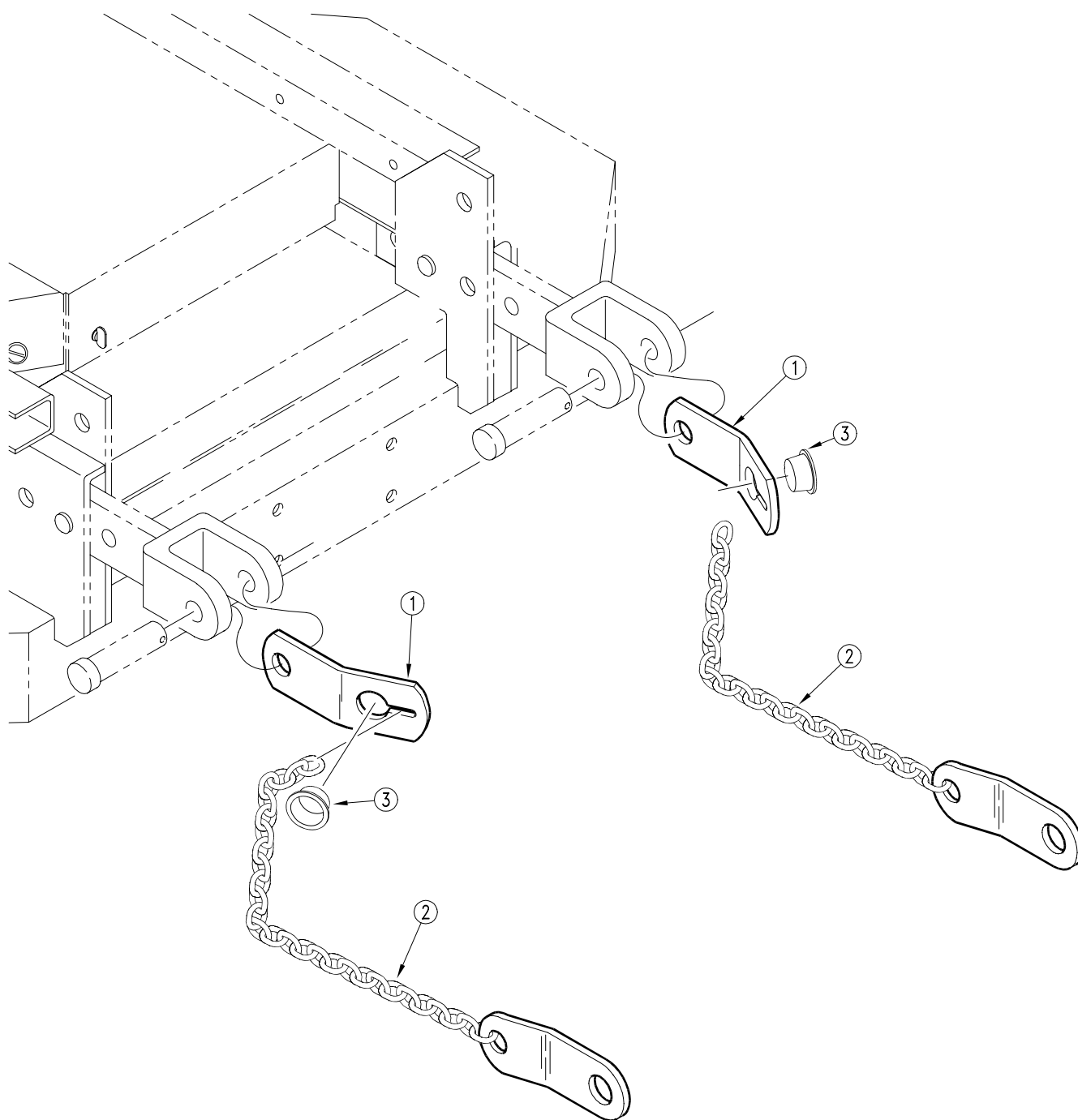
OPTIONS (CON'T.) MOWER CHAIN KIT ASSEMBLY INSTRUCTIONS

Remove tractor 3-point hitch upper link pin (#1). Install lift chains (#2) on outside surface of upper link mounting plate on tractor. Reinstall link pin and keeper.

NOTE: Depending upon brand of tractor the link pin may need to be replaced with a longer pin or a bolt. If a pin is used its keeper must be a large enough size to withstand side loads from the chain pull.


Attach the lower chain brackets (#3) and the tractor 3-point hitch clevis (#4) to the mower lower links (#5). Place lower chain brackets (#3) to the inside of the tractor lower 3-point links. The 5/8" diameter lock pin (#6) should be installed when using the leveling chains.

NOTE: Refer to "Leveling The Mower" on page 6.



10823

TROUBLE SHOOTING

PROBLEM	CAUSE	SOLUTION
1. Discharge chute plugged  CAUTION! DO NOT TRY TO CLEAN DISCHARGE CHUTE WHEN MOWER IS RUNNING. BODILY HARM MAY OCCUR.	Belt not installed correctly	Check installation of belt
	Grass too wet	Wait until grass dries
	Grass too tall	Raise cutting height of mower and cut grass twice
	RPM of tractor too low	Mow at full throttle (540 PTO rpm) Check PTO speed & tractor engine
	Ground speed too fast	Shift transmission to a lower gear
2. Belt slipping	Plugged grooming mower	Unplug and clean mower deck
	Debris in sheaves	Remove belt guard shields and clean sheaves
	Worn belt	Replace belt
3. Patches of uncut grass	RPM of tractor too low	Mow at full throttle (540 PTO rpm) Check PTO speed & tractor engine
	Ground speed too fast	Shift transmission to a lower gear
	Blade damaged or dull	Sharpen & balance or replace blade
4. Excessive vibration	Debris in sheaves or on mower deck	Remove belt guard shield and clean debris from belt area and sheaves
	Drive belt damaged	Replace drive belt
	Sheaves damaged or out of alignment	Replace sheaves or align
	Inadequate clearance between belt guard shields & belt	Remove belt guard shields & clean debris from belt area & sheaves
	Mower in raised position & mower running	Readjust 3-point hitch to raise mower to maximum of 14 inches
5. Gearbox noisy	Low lubricant level	Check lubricant level
6. Blades scalping grass	Cutting too low	Raise cutting height by adjusting wheels
	Ridges in terrain	Change mowing pattern
	Fast turning speed	Reduce speed on turns
7. Uneven cut	Ground speed too fast	Shift to a lower gear
	Mower not level	Level mower
	Dull blades	Sharpen blades & balance or replace
8. Tractor loaded down by mower	RPM of engine too low	Mow at full throttle (540 PTO rpm)
	Ground speed too fast	Shift to a lower gear
	Debris wrapped around mower spindles	Clean mower

WARRANTY

Land Pride warrants to the original purchaser of new Land Pride Products, that they are free of defects in material and workmanship. This warranty is applicable only for the normal life expectancy of the unit or individual components for a period of one year from date of original purchase if for personal use; 90 days for commercial or rental purposes. Warranty coverage is limited to replacing any part, at no charge to the original purchaser, that in our judgment shows evidence of a defect: provided that upon written request, any such defective part is returned to Land Pride within (30) days of failure.

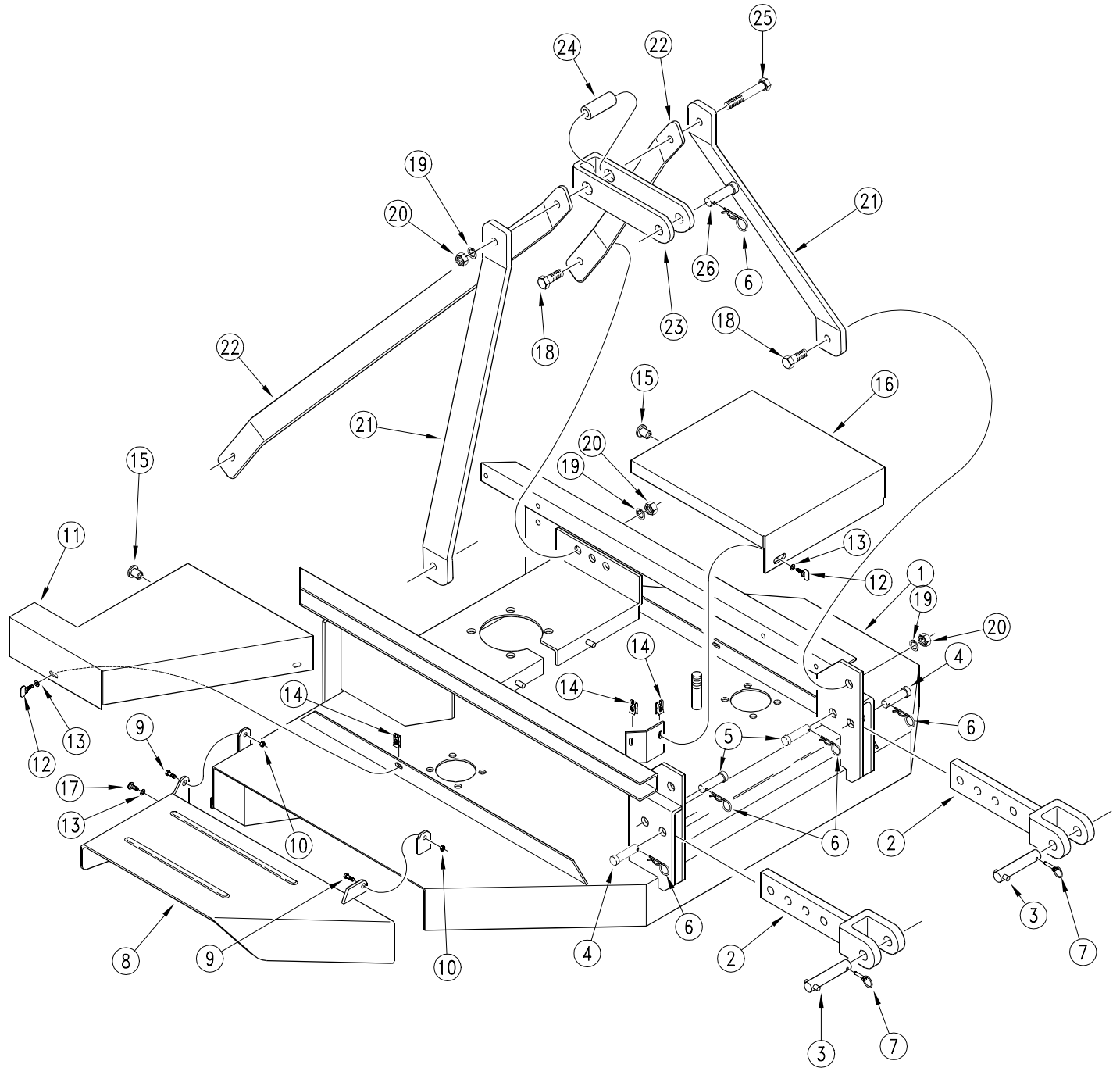
This Warranty does not apply to any part or product which in Land Pride's judgment shall have been misused or damaged by accident or lack of normal maintenance or care, or which has been repaired or altered in a way which adversely affects its performance or reliability, or which has been used for a purpose for which the product is not designed.

Claims under this Warranty must be made to the dealer which originally sold the product. Land Pride reserves the right to make changes in materials or design of the product at any time without notice.

This Warranty shall not be interpreted to render Land Pride liable for damages of any kind, direct, consequential, or contingent, to property. Furthermore, Land Pride shall not be liable for damages resulting from any cause beyond its reasonable control. This Warranty does not extend to any expense due to loss for labor, supplies, rental machinery or for any other reason.

No other Warranty of any kind whatsoever, express or implied, is made with respect to this sale; and all implied warranties of merchantability and fitness for a particular purpose which exceed the obligations set forth in this written warranty are hereby disclaimed and excluded from this sale.

FLAT DECK MOWER - DECK & COMPONENTS

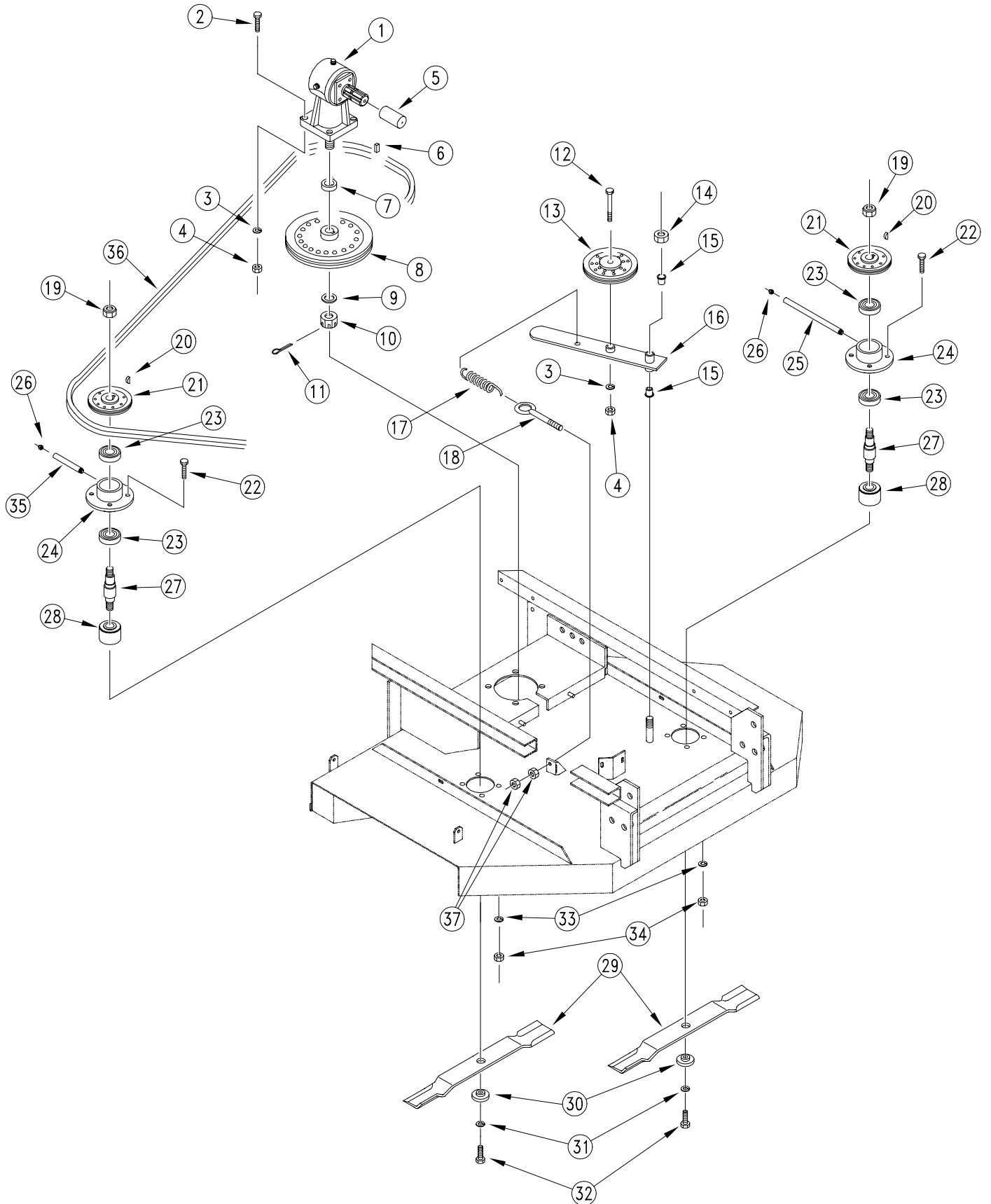


10467

FLAT DECK MOWER - DECK & COMPONENTS (CON'T.)

Ref.	Part No.	Description
1.	310-046H	48" Mower Deck
2.	310-071H	Lower Hitch Lug
3.	310-020S	Lower Hitch Pin
4.	805-141C	Pin, Lock 5/8" x 2" Long {2 Wheel Units Only}
5.	805-140C	Pin, Pivot 3/4" x 2" Long
6.	805-143C	Pin, Hair Cotter 0.120
7.	805-015C	Pin, Lock 5/16" x 1 3/4" Long
8.	310-072H	Discharge Chute
9.	802-004C	Bolt, Hex 1/4"-20 x 3/4" Long
10.	803-007C	Nut, Lock 1/4"-20
11.	310-144D	Cover, Belt - Right Hand
12.	802-241C	Bolt, Wing 1/4"-20 x 3/4" Long
13.	804-007C	Washer, Flat 1/4"
14.	800-006C	Fastener, U-Type 1/4"-20
15.	816-072C	Cap, Pin Belt Guard
16.	310-145C	Guard, Belt - Left Hand
17.	801-041C	Screw, Thumb 1/4"-20 x 1/2" Long
18.	802-207C	Bolt, Hex 5/8"-18 x 1 1/2" Long
19.	804-022C	Washer, Lock 5/8"
20.	803-022C	Nut, Hex 5/8"-18
21.	310-147D	Upper Hitch Bar
22.	310-146D	Upper Hitch Brace
23.	310-015D	Pivoting Upper Hitch
24.	310-012D	Spacer, Top Hitch
25.	802-307C	Bolt, Hex 5/8"-18 x 5" Long
26.	805-142C	Pin, Clevis 3/4" x 3 1/2" Long

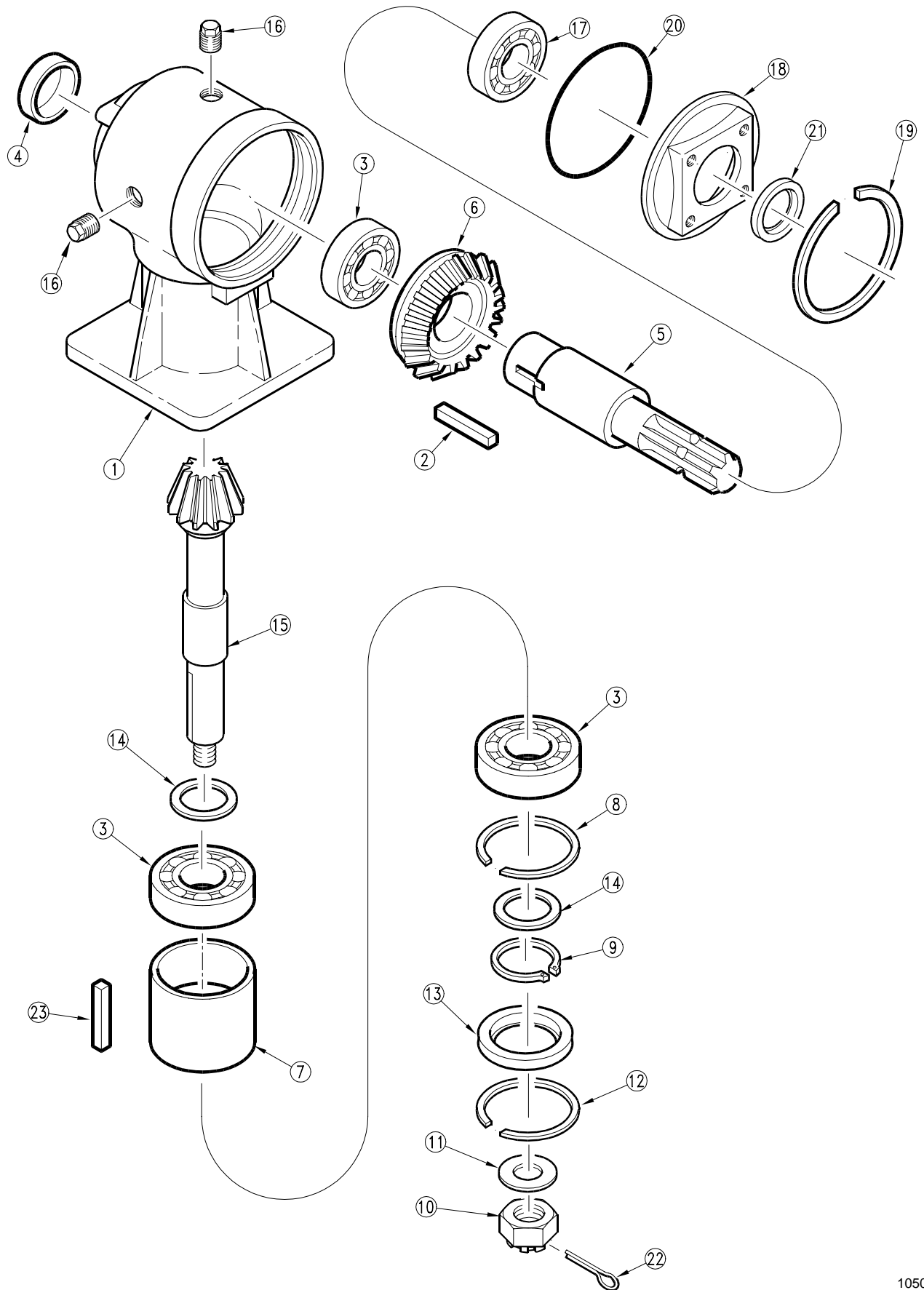
FLAT DECK MOWER BELT DRIVE



FLAT DECK MOWER BELT DRIVE (CON'T.)

Ref.	Part No.	Description
1.	826-011C	Gearbox - Comer
	826-081C	Gearbox - IEG
2.	802-207C	Bolt 5/8"-18 x 1 1/2" Long
3.	804-022C	Washer, Lock 5/8"
4.	803-022C	Nut 5/8"-18
5.	817-050C	Shaft Protector
6.	310-331D	Key 1/4" x 11/16" Long
7.	310-041D	Gear Box Spacer - Used Only With Comer Gearbox
8.	808-076C	B-Groove Pulley 9 O.D.
9.		Washer (Supplied With Gearbox)
10.		Nut (Supplied With Gearbox)
11.		Pin, Cotter (Supplied With Gearbox)
12.	802-239C	Bolt, Hex 5/8"-18 x 2 1/2" Long
13.	808-073C	Pulley, Flat Idler
14.	803-119C	Nut, Collar Ny-Loc 5/8"-18
15.	818-028C	Bushing, Pivot
16.	310-088H	Handle, Belt Take-Up
17.	807-068C	Extension Spring - Belt Drive
18.	802-233C	Bolt, Eye 1/4"-20 x 2 3/4" Long
19.	803-144C	Nut, Ny-Loc 3/4"-16
20.	890-163C	Key, Woodruff 1/4" x 3/4" Long
21.	808-075C	Pulley, B-Groove
22.	802-229C	Bolt, Hex 7/16"-20 x 1 1/2" Long
23.	822-006C	Bearing
24.	310-224D	Hub, Spindle
25.	310-176D	Grease Tube - Long
26.	800-075C	Zerk 5/16"-24
27.	310-299D	Shaft, Spindle
28.	310-300D	Hub, Blade
29.	890-172C	Blade, Mower
	890-200C	Sand Blade 5/16" x 24 1/2" {Optional}
30.	310-043D	Washer, Blade
31.	804-015C	Washer, Lock 1/2"
32.	802-326C	Bolt, Hex 1/2"-20 x 1 1/4" Long
33.	804-014C	Washer, Lock 7/16"
34.	803-115C	Nut, Hex 7/16"-20
35.	310-042D	Grease Tube - Short
36.	816-074C	Belt, Mower
37.	803-006C	Nut, Hex 1/4"-20
	310-063S	Gearbox Subassembly. Includes 1 Each Of Items 1, 5 Through 11; And, 4 Each Of Items 2 Through 4.
	310-137S	Blade Spindle Hub Assembly. Includes 1 Each Of Items 19 Through 21, 24, 26 Through 28, & 35; And, 2 Each Of Item 23.
	310-139S	Blade Spindle Hub Assembly - Long. Includes 1 Each Of Items 19 Through 21, & 24 Through 28; And 2 Each Of Item 23.
38.	310-087S	Belt Take-Up Handle. Includes 1 Each Of Items 3, 4, 12, 13, & 16; And, 2 Each Of Item 15.
	819-069C	Tag, Warning Do Not Operate Without Lube

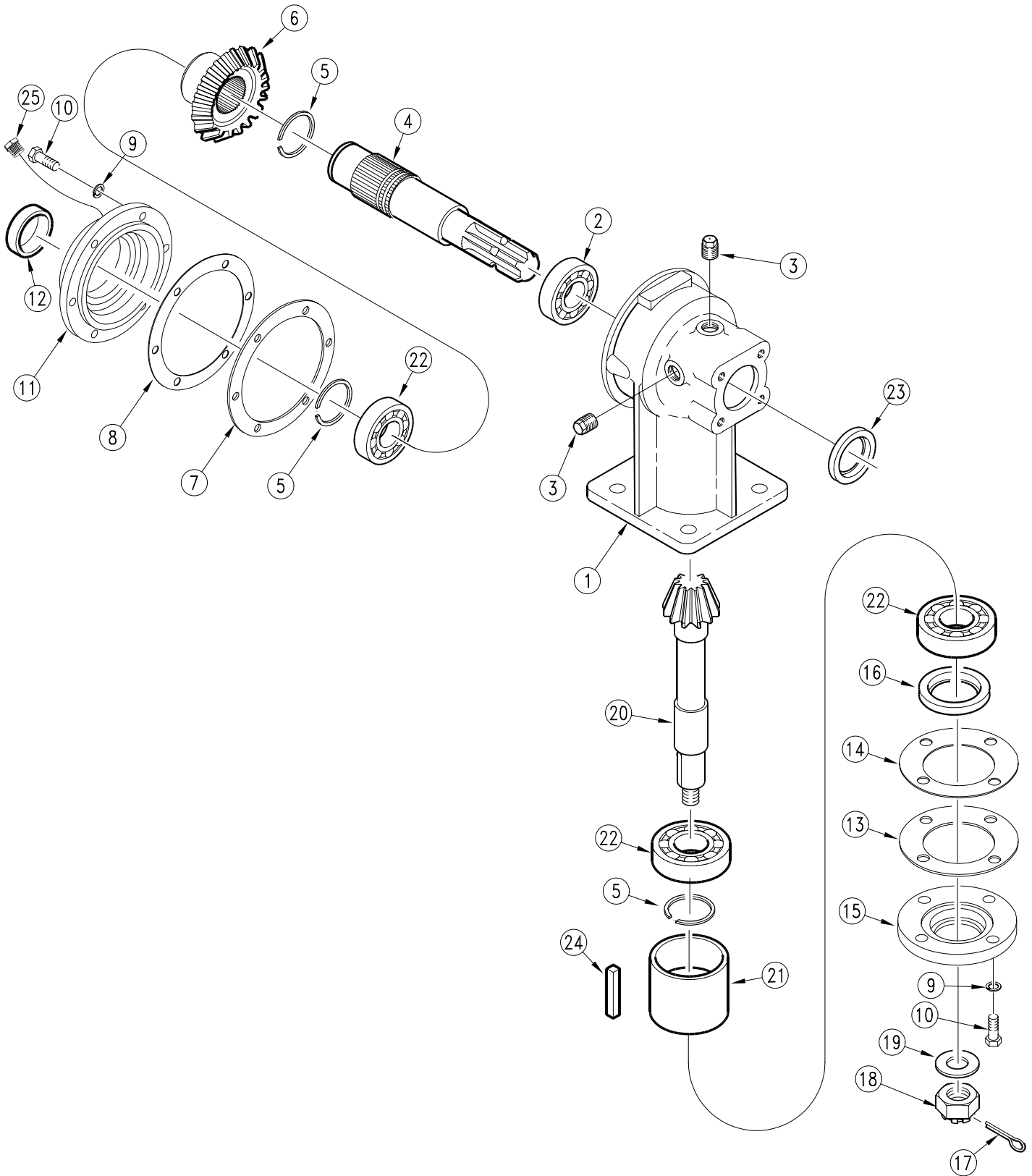
COMER GEARBOX (PART NO. 826-011C)



COMER GEARBOX (CON'T.)
(PART NO. 826-011C)

Ref.	Part No.	Description
1.	0.141.0330.00	Casting - Machined
2.	8.4.1.00889	Key, parallel B 10 x 8 x 30
3.	8.0.1.00870	Bearing 6207
4.	8.7.0.00693	Cap
5.	0.141.2100.00	Shaft 1 3/8"
6.	0.141.5000.00	Gear
7.	0.141.7100.00	Spacer
8.	8.5.2.00131	Ring, Snap
9.	8.5.1.00005	Ring, Snap
10.	8.2.2.01144	Nut, Castle
11.	8.3.2.00409	Washer, Bolt
12.	8.5.3.00915	Ring, Snap
13.	8.7.1.00152	Double Lip Seal
14.	0.259.7500.00	Shim
15.	0.141.6001.00	Shaft, Pinion
16.	8.6.5.00006	Plug 3/8"
17.	8.0.1.00000	Bearing
18.	0.141.1300.00	Cover
19.	8.5.3.01057	Ring, Snap
20.	8.7.6.01058	O-Ring
21.	8.7.3.00028	Oil Seal
22.	805-017C	Pin, Cotter 3/16" x 1 3/4" Long
23.	310-331D	Key 1/4" X 11/16" Long

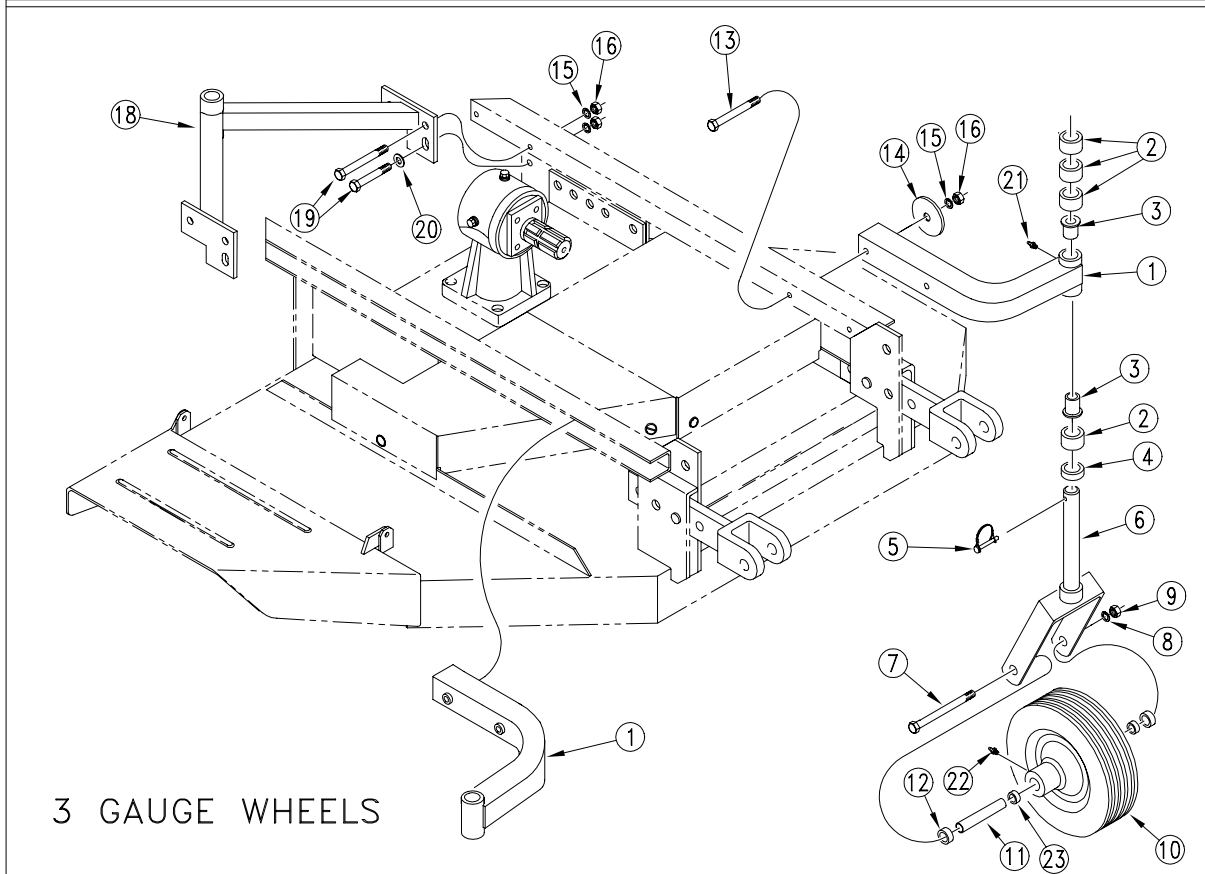
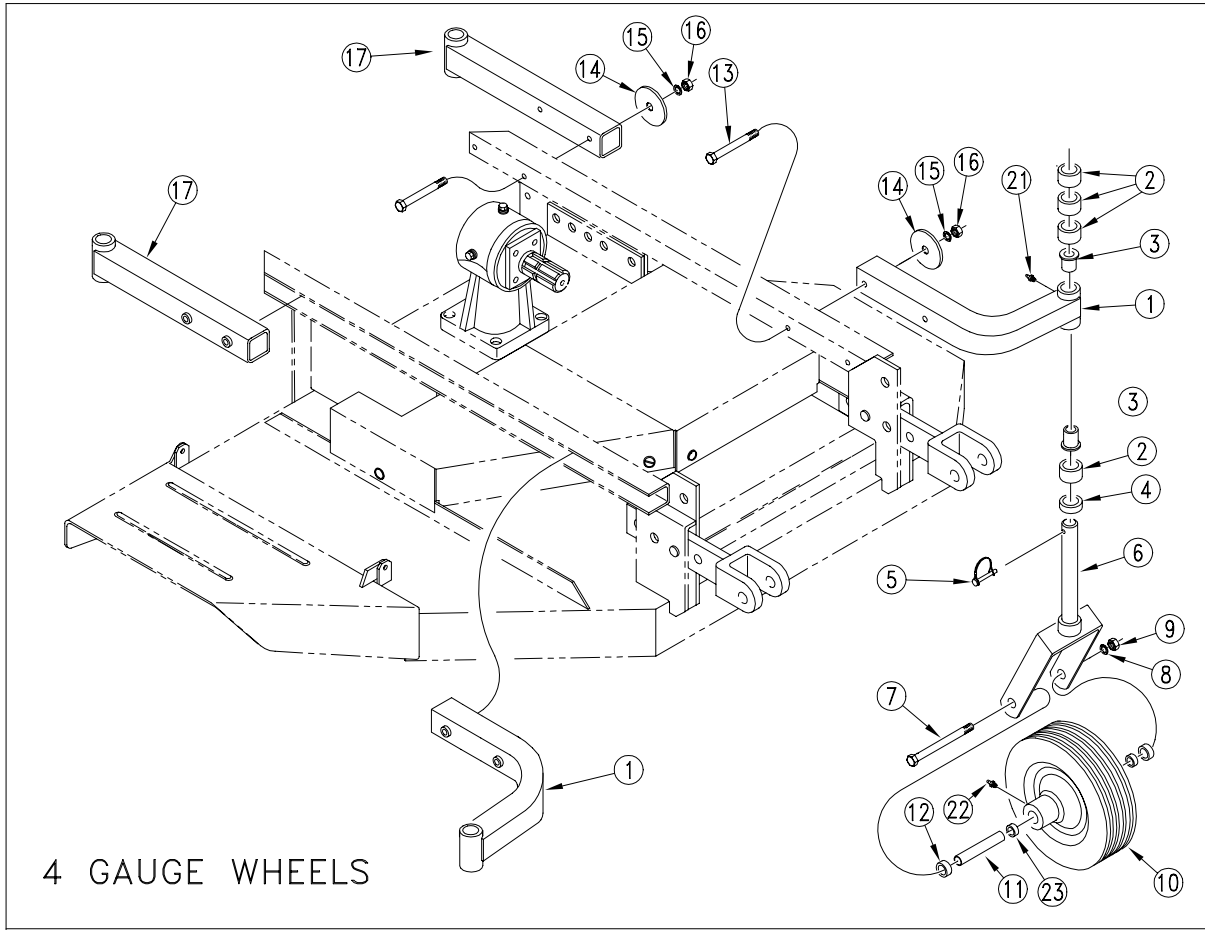
IEG GEARBOX (PART NO. 826-081C)



**IEG GEARBOX (CON'T.)
(PART NO. 826-081C)**

Ref.	Part No.	Description
1.	18-021	Housing
2.	04-004	Ball Bearing #207
3.	09-002	Plug, Pipe 1/2"-14
4.	02-035	Input Shaft
5.	21-012	Retaining Ring
6.	03-036	Input Gear 30 Tooth
7.	08-004A	Gasket, Input Cap 0.25 mm
8.	08-004B	Gasket, Input Cap 0.10 mm
9.	07-001	Washer, Lock #10
10.	06-012	Screw, Cap #10 x 1.5 x 25
11.	20-007	Input Cap
12.	09-009	Cap Plug
13.	08-005A	Gasket, Output Cap 0.25 mm
14.	08-005B	Gasket, Output Cap 0.10 mm
15.	20-003	Output Cap
16.	05-005	Output Oil Seal
17.	805-017C	Pin, Cotter 3/16" x 1 3/4" Long
18.	11-007	Nut, Slotted Hex 1"-14
19.	07-005	Washer, Blade Hub
20.	03-037	Output Pinion & Shaft 12 Tooth
21.	10-002	Spacer, Bearing
22.	04-003	Ball Bearing #208
23.	05-002	Input Oil Seal
24.	310-331D	Key 1/4" x 11/16" Long
25.	811-320C	Valve, Relief 1/8"-27

GAUGE WHEEL ASSEMBLY



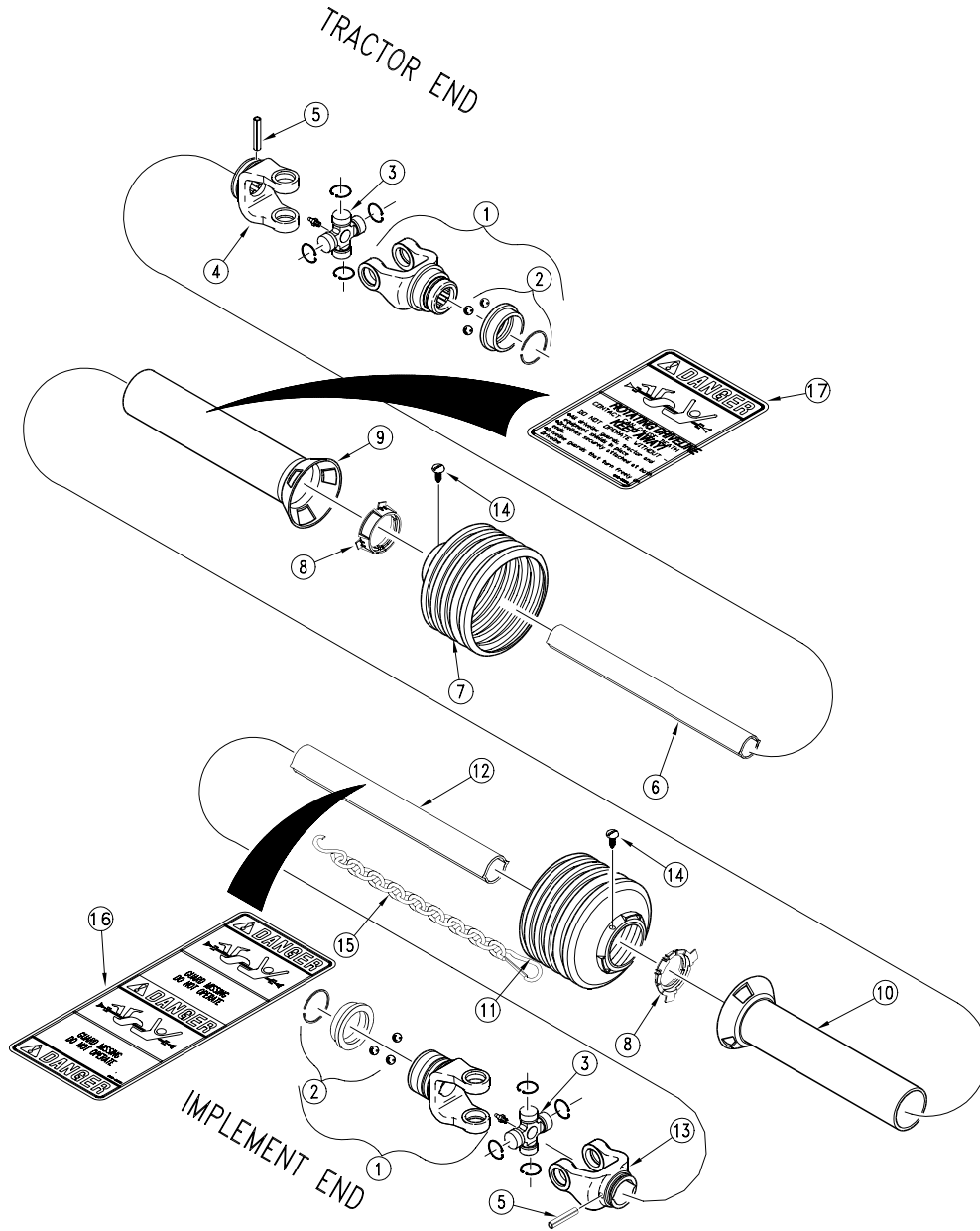
GAUGE WHEEL ASSEMBLY (CON'T.)

Ref.	Part No.	Description
1.	310-014H	Gauge Wheel Arm Weldment
2.	827-002C	Spacer 1"
3.	817-048C	Bushing, Spindle
4.	827-001C	Spacer 1/2"
5.	805-065C	Pin, Wire Retaining 1/4" x 1 3/4" Long
6.	310-149H	Yoke, Gauge Wheel {Used On Mowers After Serial #59102}
	310-003H	Yoke, Gauge Wheel {Used On Mowers Before Serial #59101}
7.	802-350C	Bolt, Hex 1/2"-20 x 6 1/2" Long {Used On Mowers After Serial #59102}
	802-243C	Bolt, Hex 1/2"-20 x 5 1/2" Long {Used On Mowers Before Serial #59101}
8.	804-015C	Washer, Lock 1/2"
9.	803-018C	Nut, Hex 1/2"-20
10.	814-057C	Tire, Solid Wheel 3 1/4" x 10 1/4"
11.	310-328D	Spacer Tube {Used On Mowers After Serial #59102}
	310-025D	Spacer Tube {Used On Mowers Before Serial #59101}
12.	310-329D	Spacer Tube {Used On Mowers After Serial #59102}
	310-024D	Spacer Tube - Short {Used On Mowers Before Serial #59101}
13.	802-245C	Bolt, Hex 3/8"-24 x 3" Long
14.	804-080C	Gauge Wheel Arm Mounting Washer 1 1/2" OD x 13/32" ID
15.	804-013C	Washer, Lock 3/8"
16.	803-146C	Nut, Hex 3/8"-24
17.	310-080H	Gauge Wheel Arm - Dual
18.	310-047H	Gauge Wheel Arm - Single
19.	802-294C	Bolt, Hex 3/8"-24 x 1 1/4" Long
20.	804-012C	Washer, Flat 3/8"
21.	800-001C	Zerk, Grease Straight
22.	800-100C	Zerk, Staked
23.	890-189C	Bushing 3/4" ID 1 3/8" OD x 1" Long
	87010	Bushing 3/4" ID 1 1/8" OD x 5/8" Long

NOTE: Item #23 Will Require A Dimension Check Before Ordering.

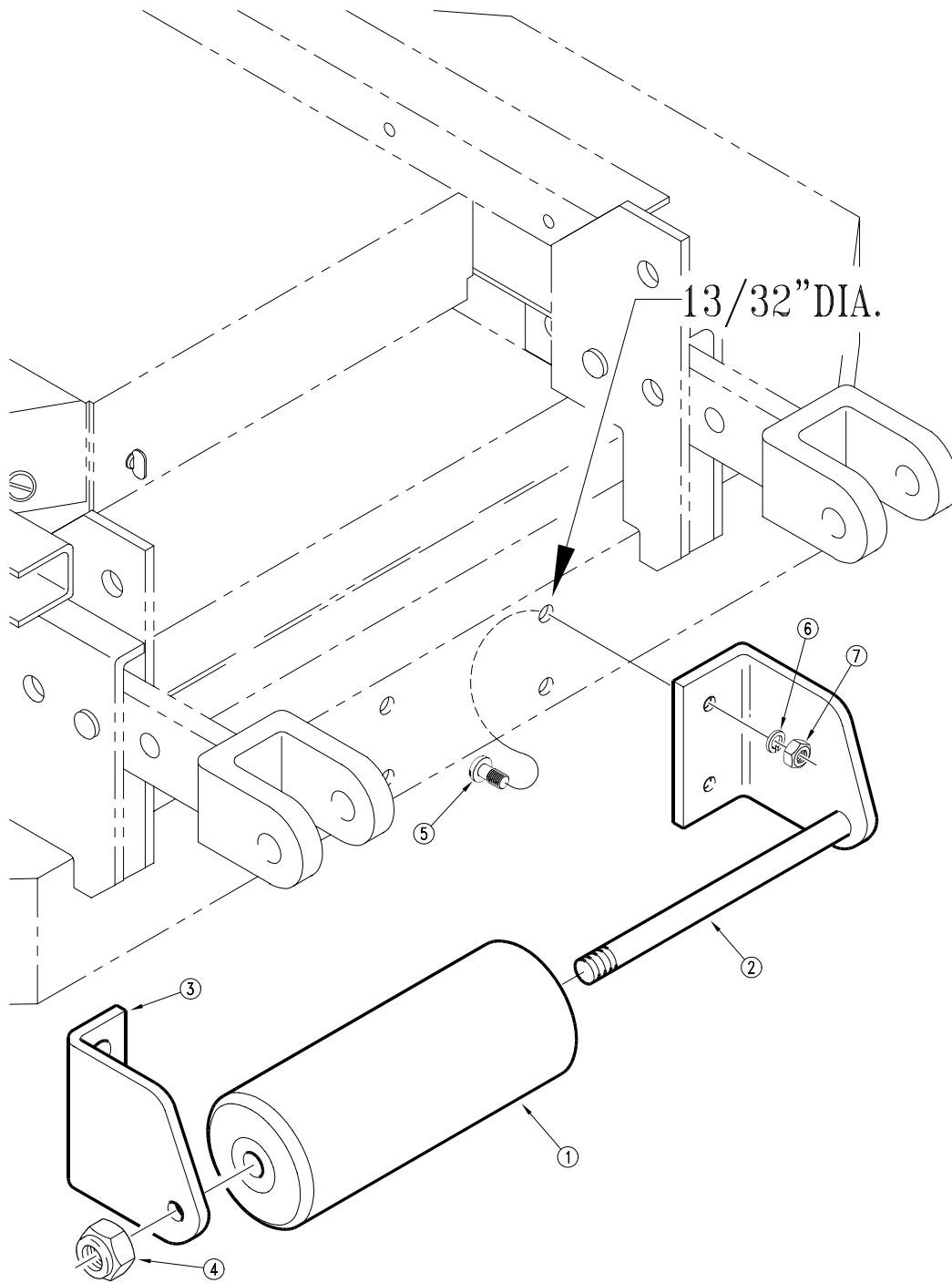
310-017S	Gauge Wheel & Yoke Subassembly. Includes 1 Each Of Items 4 Through 11; 2 Each Of Item 12; And, 4 Each Of Item 2.
310-064S	Gauge Wheel Arm Subassembly. Includes 1 Each Of Items 1 & 20; And, 2 Each Of Item 3.
310-078S	Single Rear Gauge Wheel Arm Subassembly. Includes 1 Each Of Items 17 & 20; And, 2 Each Of Item 3.
310-083S	Dual Rear Gauge Wheel Arm Subassembly. Includes 1 Each Of Items 16 & 20; And, 2 Each Of Item 3.

**POWER TAKE-OFF
(PART NO. 826-012C)**



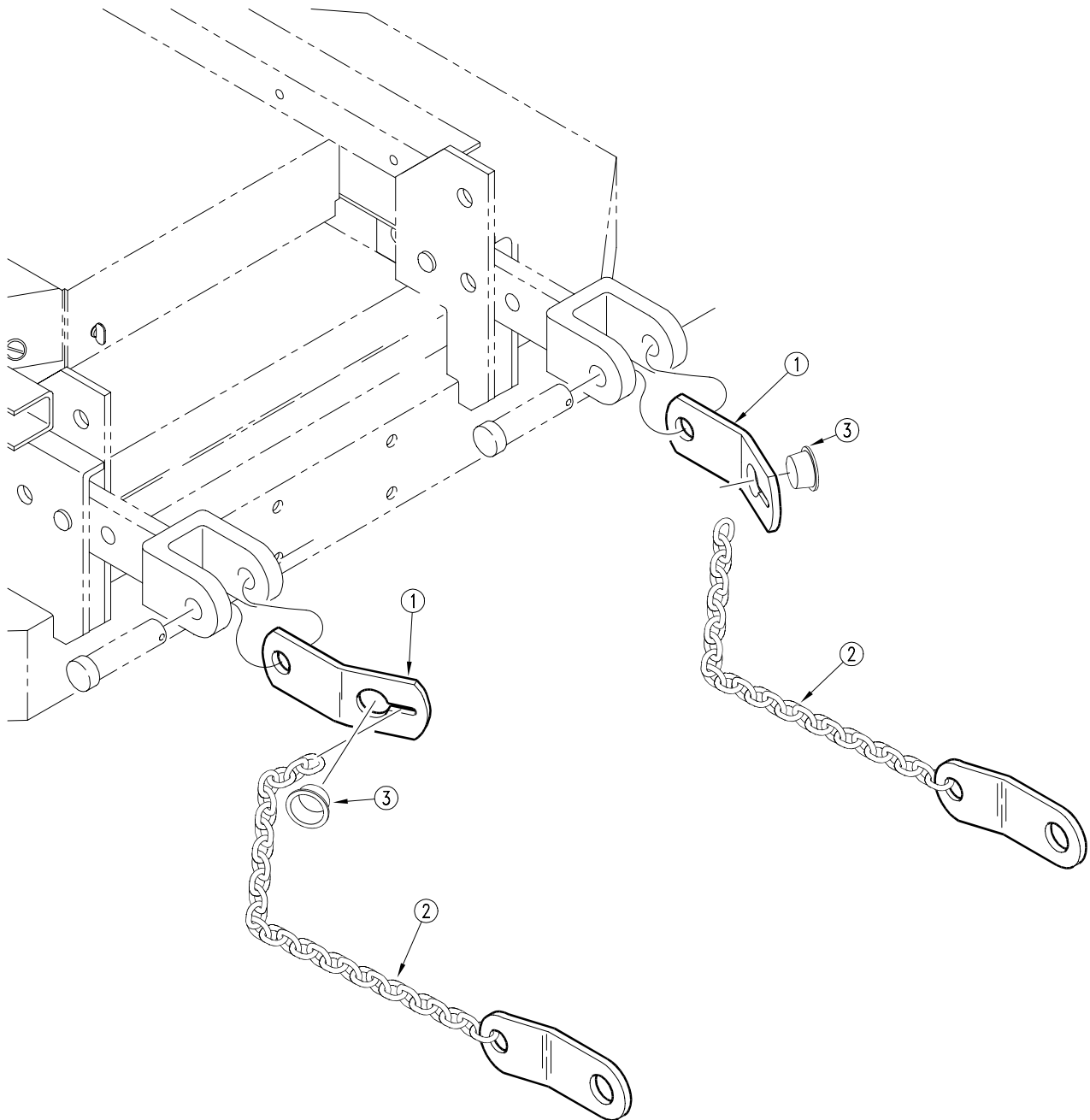
Ref.	Part No.	Description
1.	380905	End Yoke
2.	381908	Quick Disconnect Yoke
3.	044439	Cross & Bearing Kit
4.	041065	Inboard Yoke
5.	020614	Spring Pin
6.	054484	Inner Profile
7.	377234	Shield Cone - 4 Rib
8.	087279	Bearing Ring
9.	387332	Outer Shield Tube With Cap
10.	387266	Inner Shield Tube With Cap
11.	377240	Shield Cone - 10 Rib
12.	054482	Outer Profile
13.	041068	Inboard Yoke
14.	365305	Screw
15.	044321	Safety Chain
16.	383334	Danger Decal - Steel
17.	383333	Danger Decal - Shield

OPTIONS
FRONT ANTI-SCALPING ROLLER
(PART NO. 310-077S)



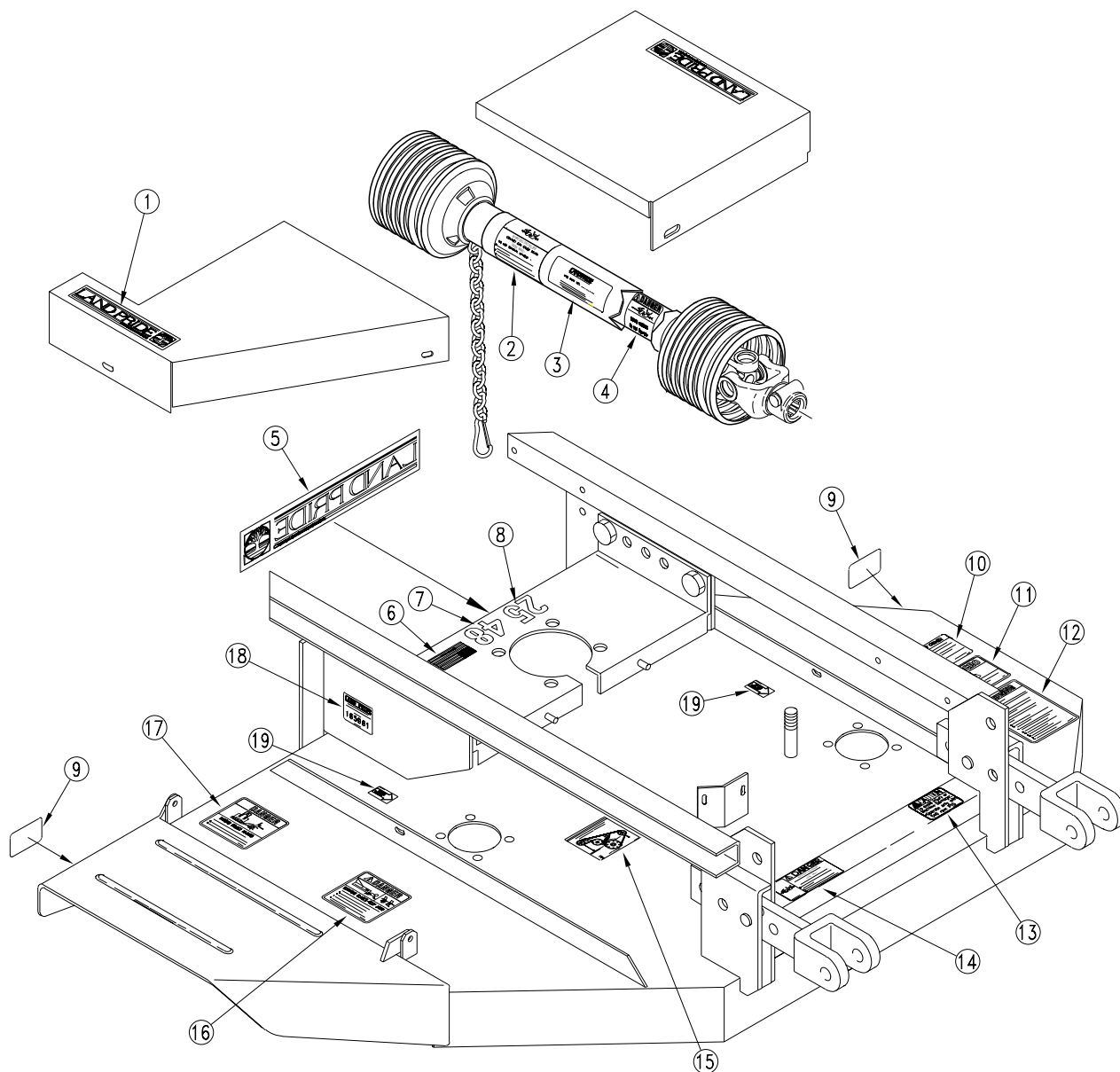
Ref.	Part No.	Description
1.	817-049C	4" x 10" Roller
2.	310-076H	Left Hand Mount Bracket
3.	310-190D	Right Hand Mount Bracket
4.	803-114C	Nut, Lock 3/4"-16 Nylock Collar
5.	801-043C	Screw, Pan Head 3/8"-16 x 1" Long
6.	804-013C	Washer, Lock 3/8"
7.	803-014C	Nut, Hex 3/8"-16
	310-077S	Front Roller Package. Includes 1 Each Of Items 1 Through 4; And, 4 Each Of Items 5 Through 7.

**OPTIONS
CHAIN KIT
(PART NO. 310-038S)**



Ref.	Part No.	Description
1.	310-117D	Chain Bracket - Lower
2.	310-032H	Lift Chain
3.	817-057C	Cap Plug

DECAL PLACEMENT



Ref.	Part No.	Description	
	310-086A	FD/AT SAFETY DECAL PACKAGE	Complete safety decal package
	310-079A	FD/AT2548 DECAL PACKAGE	Complete decal package
1.	818-165C	LP LOGO SMALL BUCKSKIN	
2.	818-552C	DECAL DANGER PTO DRIVELINE	
3.	818-139C	DECAL PTO FD/AT {826-012C}	
4.	818-540C	DECAL DANGER GUARD MISS PTO	
5.	818-162C	LP LOGO LARGE GREEN	
6.	818-190C	DECAL FLAG	
7.	818-087C	DECAL 48 LP - BLACK	
8.	818-085C	DECAL 25 SERIES LP - BLACK	
9.	818-230C	DECAL RED REFLECTOR	
10.	818-560C	DECAL NOTICE TO OWNER-NO WARRA	
11.	818-557C	DECAL DANGER CANNOT READ ENG	
12.	818-558C	DECAL WARNING GEN SAFE MOWER	
13.	818-130C	DECAL CAUTION 540 RPM	
14.	818-142C	DECAL DANGER PTO DRIVELINE EN	
15.	818-159C	DECAL 48 V-BELT INSTALLATION	
16.	818-555C	DECAL DANGER ROTATE BLADE	
17.	818-556C	DECAL DANGER THROWN OBJ CUTTER	
18.	819-036C	I.D. PLATE - LAND PRIDE (NOT REPLACEABLE)	
19.	818-138C	DECAL GREASE EVERY 25 HOURS	

1/29/04

NOTES



Corporate Office: P.O. Box 5060
Salina, Kansas 67402-5060 USA

www.landpride.com

Free Manuals Download Website

<http://myh66.com>

<http://usermanuals.us>

<http://www.somanuals.com>

<http://www.4manuals.cc>

<http://www.manual-lib.com>

<http://www.404manual.com>

<http://www.luxmanual.com>

<http://aubethermostatmanual.com>

Golf course search by state

<http://golfingnear.com>

Email search by domain

<http://emailbydomain.com>

Auto manuals search

<http://auto.somanuals.com>

TV manuals search

<http://tv.somanuals.com>