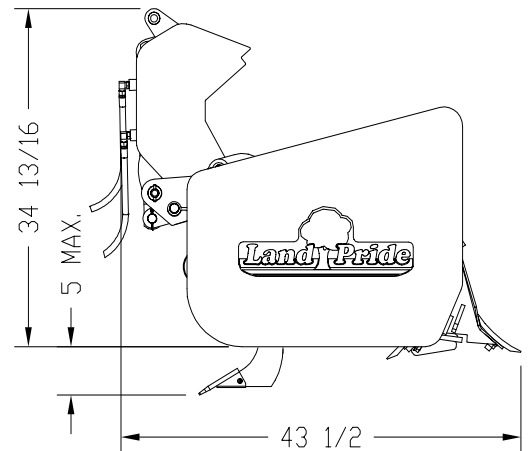
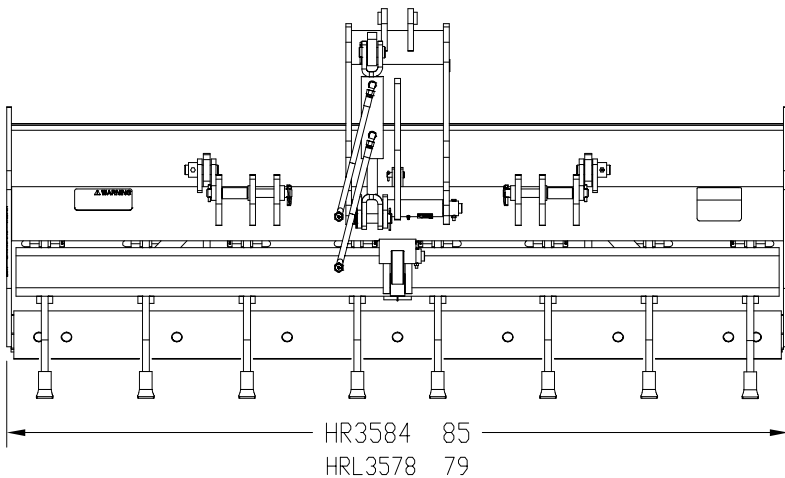


Box Scrapers

MRL35, HRL35 & HR35 Series Retractable Box Scrapers

	19" Lowback		24" Highback
	MRL3572	HRL3578	HR3584
Working Width	72"	78"	84"
Capacity	23 cu. ft.	26 cu. ft.	31 cu. ft.
Weight (Pounds)	931	972	1117
Weight (with hydraulics)	Not Applicable	981	1119
Number of Shanks	8	8	8
Shank Material	3/4" x 2 1/2" heat treated spring steel		
Shank Penetration	3- positions (1", 3" & 5" below scraper end plates)		
Shank Tip Construction	Replaceable heat treated dimpled-on tips		
Shank Beam	Pivots to lift shanks up; transport lock on shank tube		
Lift Mechanism	Manual lever w/ spring assist	Hydraulic cylinder	Hydraulic cylinder
Moldboard	Roll-Formed Moldboard -17"		Roll-Formed Moldboard - 23"
Side Panels	1/2" thick x 19" high x 30" deep		1/2" thick x 24" high x 30" deep
Depth of Bucket	28"		27 1/2"
Cutting Blades	2 ea. 1/2" x 6" high carbon, heat treated cutting edges; reversible and replaceable		
Maximum H.P. Rating	65 HP		
3-Point Hitch Construction	Harden bushings in upper and lower hitch points		
3-Point Hitch Type	Category I & II		



26995

MRL3572 Not Shown

Designs, specifications, features and information are subject to change without notice.

Free Manuals Download Website

<http://myh66.com>

<http://usermanuals.us>

<http://www.somanuals.com>

<http://www.4manuals.cc>

<http://www.manual-lib.com>

<http://www.404manual.com>

<http://www.luxmanual.com>

<http://aubethermostatmanual.com>

Golf course search by state

<http://golfingnear.com>

Email search by domain

<http://emailbydomain.com>

Auto manuals search

<http://auto.somanuals.com>

TV manuals search

<http://tv.somanuals.com>