

Support Stand



RB15, RBT15, RB25, LR15 & LR25

Manual No. 301-222M

Before You Start



When you see this symbol, the subsequent instructions and warnings are serious - follow without exception. Your life and the lives of others depend on it!

IMPORTANT: Before you begin, read these instructions and check to be sure all parts and tools are accounted for. Please retain these installation instructions for future reference and parts ordering information.

These option assembly instructions contain only information on assembling the attachment to the main unit. A detailed Operator's Manual was supplied with the main unit when it was purchased. For more specific information on safety concerns refer to the Operator's Manual. Also included in the Operator's Manual is important information on operation, adjustment, troubleshooting, and maintenance for this attachment (some of these sections do not apply to all options).

A separate Parts Manual for replacement parts can be purchased from your dealer or available free of charge at www.landpride.com. Have model and serial numbers handy when placing an order.

Manual Part Numbers:

- MANUAL 05-15 REAR BLADE 301-143M
- PARTS BOOK REAR BLADES 301-143P
- MANUAL 15 LANDSCAPE RAKE 302-185M
- MANUAL 25 & 35 LANDSCAPE RAKE 302-186M
- PARTS BOOK LANDSCAPE RAKE 302-185P

General Information

These option assembly instructions apply to the RBT15 Series Rear Blades, RB15 Series Rear Blades, RB25 Series Rear Blades, LR15 Series Landscape Rakes & LR25 Series Landscape Rakes listed below:

300-195A RB/LR15 SUPPORT STAND SHIPOUT

300-196A RB/LR25 SUPPORT STAND SHIPOUT

This kit is designed to adapt to the following Land Pride products:

RBT1560, RBT1572 & RBT1584

RB1560, RB1572 & RB1584

RB2572, RB2584 & RB2596

LR1560, LR1572, LR1584 & LR1596

LR2572, LR2584 & LR2596

Starting on page 2 is a detailed listing of parts included in this kit. Use this list as a checklist to inventory parts received.

Assembly Instructions



CAUTION!

Securely support the unit before assembly.

Support Stand Assembly (RBT15 Frame is shown)

1. Use stand bracket (#5) as a drilling guide for the two 1/2" diameter holes.
2. Clamp the stand bracket (#5) to the frame using the dimensions shown in Figure 1 and Figure 2.
3. Drill two 9/16" holes for the bolts.
4. Secure the bracket with the two bolts (#1) and lock nuts (#6) as shown in Figure 2.
5. Install the support stand (#3) into the stand bracket (#5).
6. Install the roll pin (#4) in the top hole of the support stand.
7. Place the wire retaining pin (#2) in one of the other holes; the middle hole is for standing or storing the unit and lower hole for transport or when using the unit.

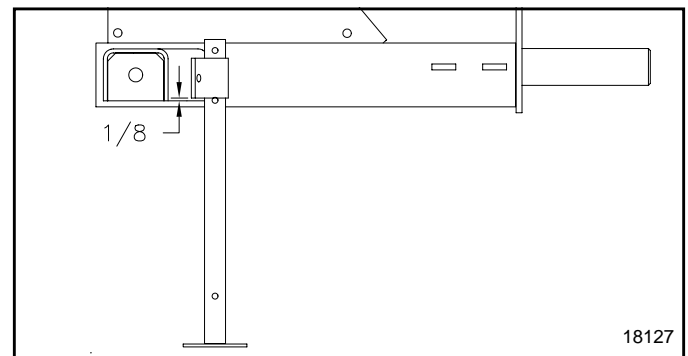


Figure 1

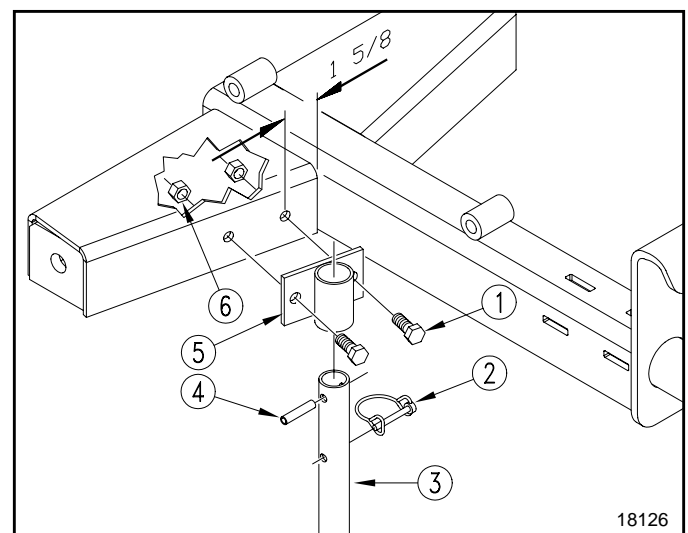


Figure 2

Listing of Parts**300-195A RB/LR15 SUPPORT STAND**

Qty.	Part No.	Part Description
1	300-193H	RB/LR15 SUPPORT STAND WELDMENT
1	300-194H	RB/LR 15/25 STAND BRCKT WLDMT
2	802-034C	HHCS 1/2-13X1 1/4 GR5
2	803-019C	NUT LOCK 1/2-13 PLT
1	805-161C	PIN ROLL 3/8 X 1 3/4 LG PLT
1	805-065C	PIN WIRE RETAINING 1/4 X 1 3/4

300-196A RB/LR25 SUPPORT STAND

Qty.	Part No.	Part Description
1	300-171H	RB/LR25 SUPPORT STAND WELDMENT
1	300-194H	RB/LR 15/25 STAND BRCKT WLDMT
2	802-034C	HHCS 1/2-13X1 1/4 GR5
2	803-019C	NUT LOCK 1/2-13 PLT
1	805-161C	PIN ROLL 3/8 X 1 3/4 LG PLT
1	805-065C	PIN WIRE RETAINING 1/4 X 1 3/4



Corporate Office: P.O. Box 5060
 Salina, Kansas 67402-5060 USA
www.landpride.com

Free Manuals Download Website

<http://myh66.com>

<http://usermanuals.us>

<http://www.somanuals.com>

<http://www.4manuals.cc>

<http://www.manual-lib.com>

<http://www.404manual.com>

<http://www.luxmanual.com>

<http://aubethermostatmanual.com>

Golf course search by state

<http://golfingnear.com>

Email search by domain

<http://emailbydomain.com>

Auto manuals search

<http://auto.somanuals.com>

TV manuals search

<http://tv.somanuals.com>