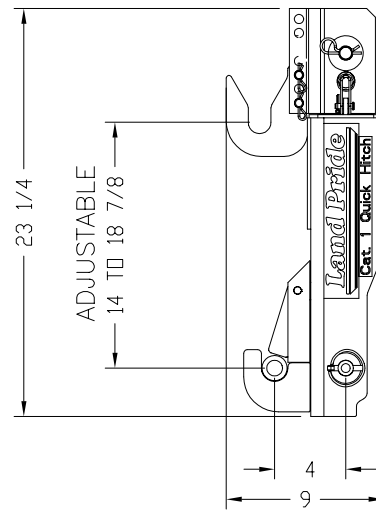
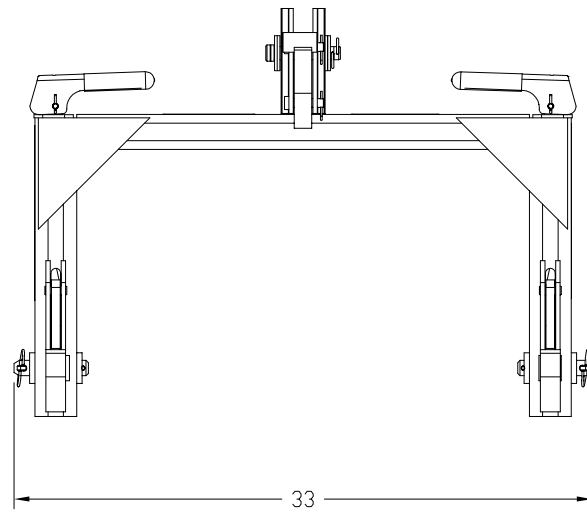


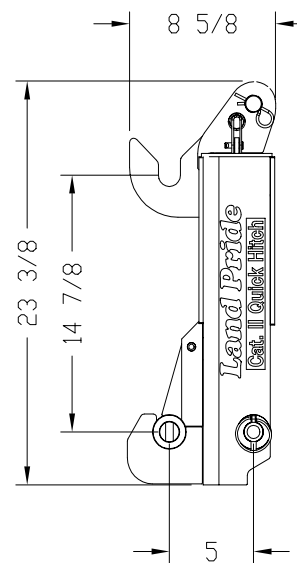
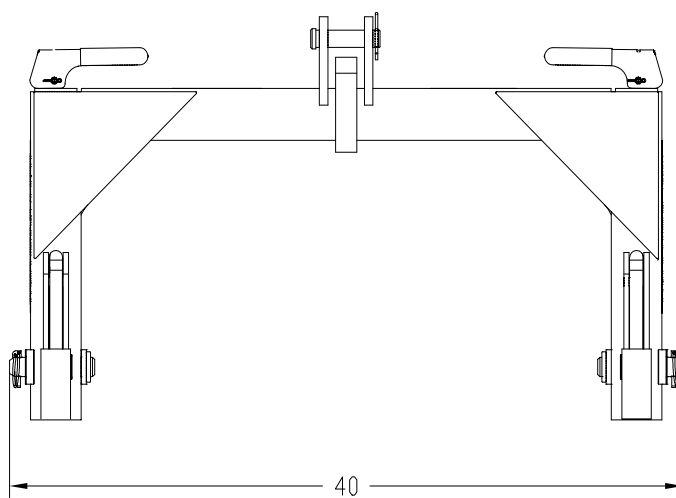
Hitches

QH15 & QH20 Quick Hitches		
	QH15	QH20
Hitch	Category 1, 3-point	Category 2, 3-point
Overall Width	33"	40"
Overall Height	23 1/4"	23 3/8"
Overall Length	9"	8 5/8"
Weight Without Floating Top Link	70 lbs.	120 lbs.
Top Hitch	Adjustable	Stationary
Lock	Automatic on lower 3-point arms	



26874

QH15 Quick Hitch  
Figure 5-1



24879

QH20 Quick Hitch  
Figure 5-2

Designs, specifications, features and information are subject to change without notice.

## Free Manuals Download Website

<http://myh66.com>

<http://usermanuals.us>

<http://www.somanuals.com>

<http://www.4manuals.cc>

<http://www.manual-lib.com>

<http://www.404manual.com>

<http://www.luxmanual.com>

<http://aubethermostatmanual.com>

Golf course search by state

<http://golfingnear.com>

Email search by domain

<http://emailbydomain.com>

Auto manuals search

<http://auto.somanuals.com>

TV manuals search

<http://tv.somanuals.com>