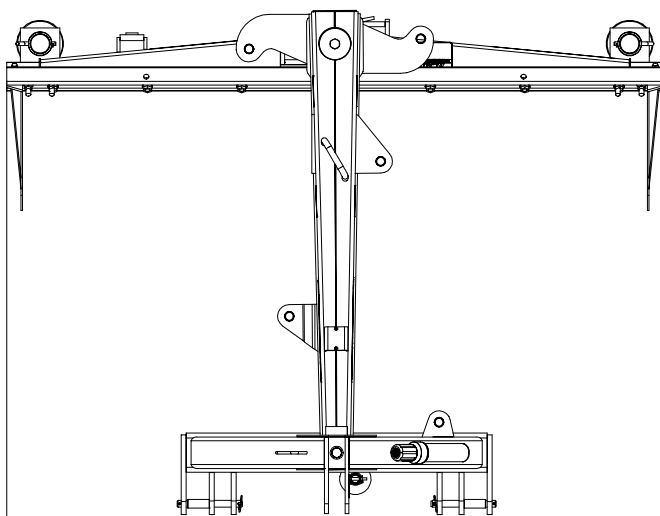
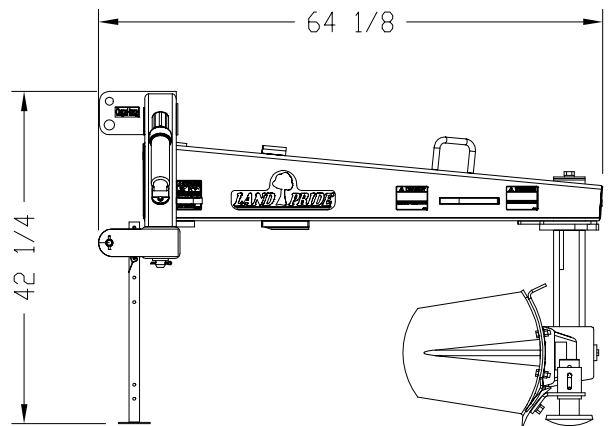


**Rear Blades**

<b>RBT40 Series</b>			
	<b>RBT4084</b>	<b>RBT4096</b>	<b>RBT40108</b>
<b>Blade Width</b>	84"	96"	108"
<b>Approximate Weight (lbs.) w/manual links</b>	689#	739#	789#
<b>Maximum Engine Horsepower</b>	100 HP - 2 Wheel drive		
<b>Maximum G.V.W. (lbs.)</b>	9500		
<b>Hitch Type</b>	Cat. 1 & 2 Fits Land Pride Quick Hitch		
<b>Moldboard Height</b>	17"		
<b>Moldboard Thickness</b>	5/16" reinforced, 1/4" tapered reinforcement channel		
<b>MoldBoard Kingpin</b>	3"		
<b>Blade Angle</b>	<b>Manual:</b> <b>Hydraulic:</b>	7 positions in 15 deg. increments (1 center, 3 clockwise & 3 counterclockwise) Up to 45 degrees in either direction.	
<b>Angle Cylinder</b>	3 1/2" X 16" X 1 1/4"		
<b>Tilt Angle (Manual or Hydraulic)</b>	Up to 15 degrees		
<b>Tilt Cylinder</b>	3" X 6" X 1 1/4"		
<b>Frame Offset (Manual or Hydraulic)</b>	Up to 30 inches left and right		
<b>Offset Cylinder</b>	3 1/2" X 16" X 1 1/4"		
<b>Cutting Edge</b>	1/2" x 6" Heat treated reversible blade		
<b>Main Frame</b>	Fully enclosed welded, formed box		
<b>Parking Stand</b>	Retractable		
<b>Options</b>	Skid Shoes End Plates Double Selector Valve and Cushion Valve		



← RBT4084 = 83 1/2    RBT4096 = 95 1/2    →  
RBT40108 = 107 1/2



26810

**Top View**

**Side View**

*Designs, specifications, features and information are subject to change without notice.*

## Free Manuals Download Website

<http://myh66.com>

<http://usermanuals.us>

<http://www.somanuals.com>

<http://www.4manuals.cc>

<http://www.manual-lib.com>

<http://www.404manual.com>

<http://www.luxmanual.com>

<http://aubethermostatmanual.com>

Golf course search by state

<http://golfingnear.com>

Email search by domain

<http://emailbydomain.com>

Auto manuals search

<http://auto.somanuals.com>

TV manuals search

<http://tv.somanuals.com>