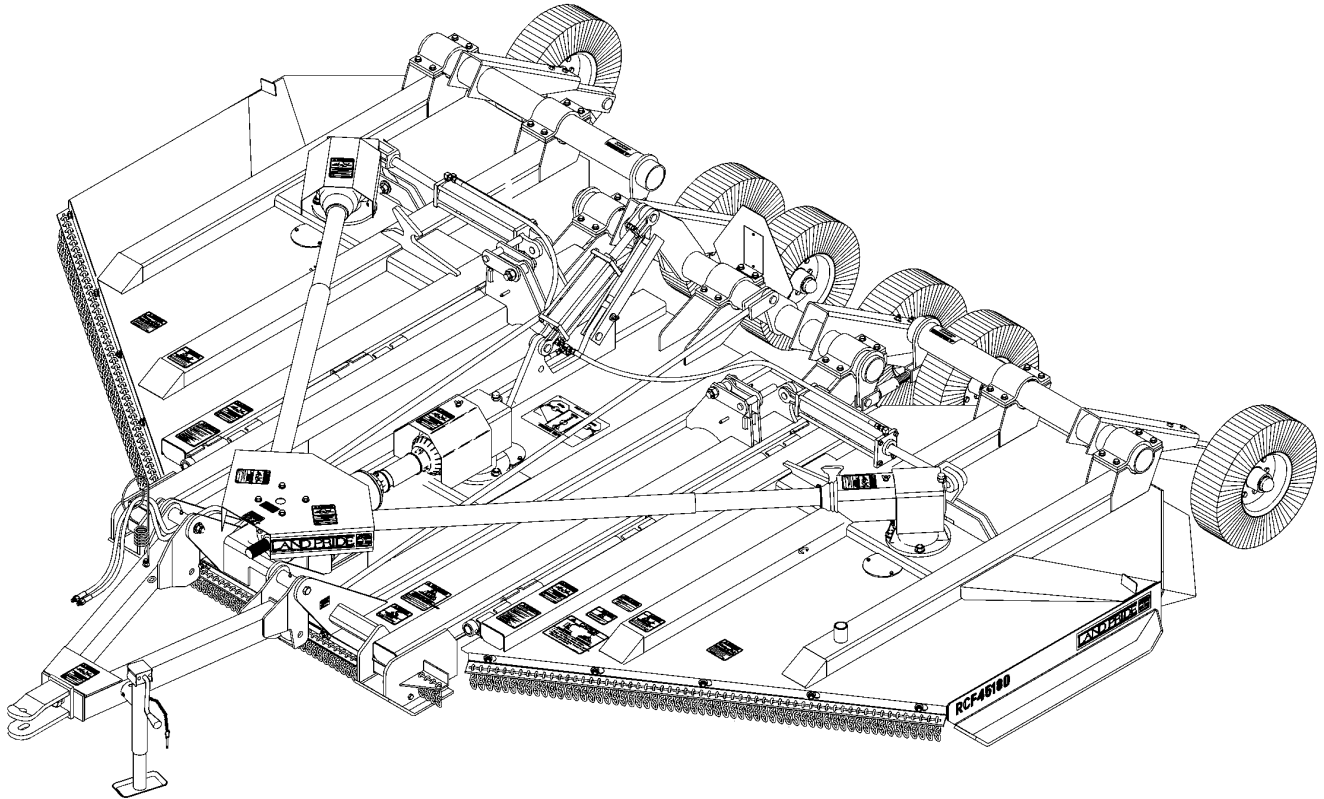


# Rotary Cutters

## RCF45180 & RCFM45180



14115

### 312-382P Parts Manual



Read the Operator's manual entirely. When you see this symbol, the subsequent instructions and warnings are serious - follow without exception. Your life and the lives of others depend on it!

© Copyright 2009 Printed 02/23/09

Cover photo may show optional equipment not supplied with standard unit.





# Table of Contents

**Section 1: Introduction.....6**  
 Using This Manual.....6  
 Manual Replacement Information.....6  
 Manual Revisions.....6  
 Touch-up Paint.....6  
 Hardware Legend.....7  
 Replacement Hardware.....7  
 Serial Numbers.....7  
 Part Number Service Coding.....7

## RCF45180 SERIES (540RPM)

**Section 2: Decks.....8**  
 Deck Blade Carrier (S/N 160142-).....8  
 Deck Blade Carrier (S/N 160143+).....10  
 Deck Center (S/N 77360-).....12  
 Deck Center (S/N 77361 to 119280).....14  
 Deck Center (S/N 119281 to 160142).....16  
 Deck Center (S/N 160143+).....18  
 Deck Center (S/N 160143+) Continued.....20  
 Deck Left & Right Hand (S/N 77361-).....22  
 Deck Left & Right Hand (S/N 77362 to 119280).....24  
 Deck Left & Right Hand (S/N 119281 to 160142).....26  
 Deck Left & Right Hand (S/N 160143+).....28  
 Deck Lift.....30  
 Hitch (S/N 74020-).....32  
 Hitch (S/N 74021 to 116033).....34  
 Hitch (S/N 116034+).....36

**Section 3: Axles.....38**  
 Axle Center.....38  
 Axle to Center Deck.....40  
 Axle Wing.....42

**Section 4: Guards.....44**  
 Guards Center Deck (S/N 160278-).....44  
 Guards Center Deck (S/N 160279+).....46  
 Guards Wing Deck (S/N 160278-).....48  
 Guards Wing Deck Front (S/N 160279+).....50  
 Guards Wing Deck Rear (S/N 160279+).....52

**Section 5: Drivelines.....54**  
 Driveline Arrangement- 540 RPM.....54  
 Driveline 540 RPM (826-094C) (S/N 82428 to 115620).....56  
 Driveline Center (826-078C) (S/N 82427-).....58  
 Driveline Center 540 RPM (826-114C) (S/N 115261+).....60  
 Driveline Conv. 540 RPM (826-083C) (S/N 115260-).....62  
 Driveline Conv. 540 RPM (826-112C) (S/N 115261+).....64  
 Driveline CV 540 RPM (826-076C) (S/N 82427-).....66  
 Driveline CV 540 RPM (826-098C) (S/N 82428 to 115260).....68  
 Driveline CV 540 RPM (826-117C) (S/N 115261+).....70

Driveline CV 540 RPM (826-476C) Comer (Service Only).....72  
 Driveline Slip Clutch (676548303) Bondioli (S/N 82427-)..74  
 Driveline Slip Clutch (638237001, 638248001 & 638248006) Bondioli.....76  
 Driveline Slip Clutch Wing (333919 & 053356).....78  
 Driveline Wing (826-079C) (S/N 82427-).....80  
 Driveline Wing (826-096C) (S/N 82428 to 115260).....82  
 Driveline Wing (826-116C) (S/N 115261+).....84

**Section 6: Gearboxes.....86**

Gearbox 540 RPM (826-376C).....86  
 Gearbox Center & Left Deck 540 RPM (826-035C) OMNI.....88  
 Gearbox Center & Left Deck 540 RPM (826-069C) ITG....90  
 Gearbox Divider 540 RPM (826-068C) ITG (S/N 111502-).....92  
 Gearbox Divider 540 RPM (826-068C) ITG (S/N 111503+).....94  
 Gearbox Divider 540 RPM (826-242C) OMNI.....96  
 Gearbox Right Deck 540 RPM (826-070C) ITG.....98  
 Gearbox Right Deck 540 RPM (826-241C) COMER (Service Only).....100  
 Gearbox Right Deck 540 RPM (826-241C) ITG (Service Only).....102  
 Gearbox Right Deck 540 RPM (826-241C) OMNI (Service Only).....104

**Section 7: Hydraulics.....106**

Hydraulic 3-Spool Control Valve Kit.....106  
 Hydraulic Cylinder (810-150C) Cross.....108  
 Hydraulic Cylinder (810-150C) Midway.....110  
 Hydraulic Cylinder (810-150C) Red Lion.....112  
 Hydraulic Cylinder (810-162C) Cross.....114  
 Hydraulic Cylinder (810-162C) Midway.....116  
 Hydraulic Cylinder (810-162C) Red Lion.....118  
 Hydraulic Plumbing Standard Wing Fold.....120  
 Hydraulic Selector Control Valve Kit.....122  
 Hydraulics Optional Lift.....124

**Section 8: Labels.....126**

Label Placement.....126

## RCFM45180 SERIES (1000RPM)

**Section 2: Decks.....128**

Deck Blade Carrier (S/N 160142-).....128  
 Deck Blade Carrier (S/N 160143+).....130  
 Deck Center (S/N 77360-).....132  
 Deck Center (S/N 77361 to 119280).....134  
 Deck Center (S/N 119281 to 160142).....136  
 Deck Center (S/N 160143+).....138  
 Deck Center (S/N 160143+) Continued.....140

© Copyright 2009. All rights reserved.

Land Pride provides this publication “as is” without warranty of any kind, either expressed or implied. While every precaution has been taken in the preparation of this manual, Land Pride assumes no responsibility for errors or omissions. Neither is any liability assumed for damages resulting from the use of the information contained herein. Land Pride reserves the right to revise and improve its products as it sees fit. This publication describes the state of this product at the time of its publication, and may not reflect the product in the future. The illustrations in this manual are not intended for safe and proper assembly or disassembly of equipment. The illustrations are intended for ordering parts only.

Land Pride is registered trademark.

All other brands and product names are trademarks or registered trademarks of their respective holders.

Printed in the United States of America.



## Table of Contents (continued)

Deck Left & Right Hand (S/N 77361-)	142	Gearbox Right Deck 1000 RPM (826-254C) OMNI	228
Deck Left & Right Hand (S/N 77362 to 119280)	144	<b>Section 7: Hydraulics</b>	<b>230</b>
Deck Left & Right Hand (S/N 119281 to 160142)	146	Hydraulic 3-Spool Control Valve Kit	230
Deck Left & Right Hand (S/N 160143+)	148	Hydraulic Cylinder (810-150C) Cross	232
Deck Lift	150	Hydraulic Cylinder (810-150C) Midway	234
Hitch (S/N 74020-)	152	Hydraulic Cylinder (810-150C) Red Lion	236
Hitch (S/N 74021 to 116033)	154	Hydraulic Cylinder (810-162C) Cross	238
Hitch (S/N 116034+)	156	Hydraulic Cylinder (810-162C) Midway	240
<b>Section 3: Axles</b>	<b>158</b>	Hydraulic Cylinder (810-162C) Red Lion	242
Axle Center	158	Hydraulic Plumbing Standard Wing Fold	244
Axle to Center Deck	160	Hydraulic Selector Control Valve Kit	246
Axle Wing	162	Hydraulics Optional Lift	248
<b>Section 4: Guards</b>	<b>164</b>	<b>Section 8: Labels</b>	<b>250</b>
Guards Center Deck (S/N 160278-)	164	Label Placement	250
Guards Center Deck (S/N 160279+)	166		
Guards Wing Deck (S/N 160278-)	168		
Guards Wing Deck Front (S/N 160279+)	170		
Guards Wing Deck Rear (S/N 160279+)	172		
<b>Section 5: Drivelines</b>	<b>174</b>	<b>Part Number Index</b>	<b>252</b>
Driveline Arrangement- 1000 RPM	174		
Driveline Center (826-078C) (S/N 82427-)	176		
Driveline Center (826-095C) (S/N 82428 to 115260) (S/N 119063 to 134999)	178		
Driveline Center (826-115C) (S/N 115261 to 119062) (S/N 135000+)	180		
Driveline Conv. 1000 RPM (826-084C) (S/N 115260-)	182		
Driveline Conv. 1000 RPM (826-113C) (S/N 115261+)	184		
Driveline CV 1000 RPM (826-077C) (S/N 82427-)	186		
Driveline CV 1000 RPM (826-099C) (S/N 82428 to 115260)	188		
Driveline CV 1000 RPM (826-118C) (S/N 115261+)	190		
Driveline CV 1000 RPM (826-244C) Walterscheid	192		
Driveline CV 1000 RPM (826-477C) Comer (Service Only)	194		
Driveline Slip Clutch (676548303) Bondioli (S/N 82427-)	196		
Driveline Slip Clutch (053385)	198		
Driveline Slip Clutch (638237001, 638248001 & 638248006) Bondioli	200		
Driveline Slip Clutch Wing (333919 & 053356)	202		
Driveline Wing (826-079C) (S/N 82427-)	204		
Driveline Wing (826-096C) (S/N 82428 to 115260)	206		
Driveline Wing (826-116C) (S/N 115261+)	208		
<b>Section 6: Gearboxes</b>	<b>210</b>		
Gearbox Center Deck 1000 RPM (826-060C) OMNI	210		
Gearbox Center Deck 1000 RPM (826-074C) ITG	212		
Gearbox Divider 1000 RPM (826-072C) ITG (S/N 113823-)	214		
Gearbox Divider 1000 RPM (826-072C) ITG (S/N 113824+)	216		
Gearbox Divider 1000 RPM (826-253C) OMNI	218		
Gearbox Left Deck 1000 RPM (826-073C) ITG	220		
Gearbox Left Deck 1000 RPM (826-038C) OMNI	222		
Gearbox Right Deck 1000 RPM (826-075C) ITG	224		
Gearbox Right Deck 1000 RPM (826-254C) COMER	226		



# Alphabetized Table of Contents

## RCF45180 SERIES (540RPM)

<b>A</b>	
Axle Center.....	38
Axle to Center Deck.....	40
Axle Wing.....	42
<b>D</b>	
Deck Blade Carrier (S/N 160142-).....	8
Deck Blade Carrier (S/N 160143+).....	10
Deck Center (S/N 77360-).....	12
Deck Center (S/N 77361 to 119280).....	14
Deck Center (S/N 119281 to 160142).....	16
Deck Center (S/N 160143+).....	18
Deck Center (S/N 160143+) Continued.....	20
Deck Left & Right Hand (S/N 77361-).....	22
Deck Left & Right Hand (S/N 77362 to 119280).....	24
Deck Left & Right Hand (S/N 119281 to 160142).....	26
Deck Left & Right Hand (S/N 160143+).....	28
Deck Lift.....	30
Driveline Arrangement- 540 RPM.....	54
Driveline 540 RPM (826-094C) (S/N 82428 to 115620).....	56
Driveline Center (826-078C) (S/N 82427-).....	58
Driveline Center 540 RPM (826-114C) (S/N 115261+).....	60
Driveline Conv. 540 RPM (826-083C) (S/N 115260-).....	62
Driveline Conv. 540 RPM (826-112C) (S/N 115261+).....	64
Driveline CV 540 RPM (826-076C) (S/N 82427-).....	66
Driveline CV 540 RPM (826-098C) (S/N 82428 to 115260).....	68
Driveline CV 540 RPM (826-117C) (S/N 115261+).....	70
Driveline CV 540 RPM (826-476C) Comer (Service Only).....	72
Driveline Slip Clutch (676548303) Bondioli (S/N 82427-).....	74
Driveline Slip Clutch (638237001, 638248001 & 638248006) Bondioli.....	76
Driveline Slip Clutch Wing (333919 & 053356).....	78
Driveline Wing (826-079C) (S/N 82427-).....	80
Driveline Wing (826-096C) (S/N 82428 to 115260).....	82
Driveline Wing (826-116C) (S/N 115261+).....	84
<b>G</b>	
Gearbox 540 RPM (826-376C).....	86
Gearbox Center & Left Deck 540 RPM (826-035C) OMNI.....	88
Gearbox Center & Left Deck 540 RPM (826-069C) ITG.....	90
Gearbox Divider 540 RPM (826-068C) ITG (S/N 111502-).....	92
Gearbox Divider 540 RPM (826-068C) ITG (S/N 111503+).....	94
Gearbox Divider 540 RPM (826-242C) OMNI.....	96
Gearbox Right Deck 540 RPM (826-070C) ITG.....	98
Gearbox Right Deck 540 RPM (826-241C) COMER (Service Only).....	100
Gearbox Right Deck 540 RPM (826-241C) ITG (Service Only).....	102
Gearbox Right Deck 540 RPM (826-241C) OMNI (Service Only).....	104

Guards Center Deck (S/N 160278-).....	44
Guards Center Deck (S/N 160279+).....	46
Guards Wing Deck (S/N 160278-).....	48
Guards Wing Deck Front (S/N 160279+).....	50
Guards Wing Deck Rear (S/N 160279+).....	52

<b>H</b>	
Hitch (S/N 74020-).....	32
Hitch (S/N 74021 to 116033).....	34
Hitch (S/N 116034+).....	36
Hydraulic 3-Spool Control Valve Kit.....	106
Hydraulic Cylinder (810-150C) Cross.....	108
Hydraulic Cylinder (810-150C) Midway.....	110
Hydraulic Cylinder (810-150C) Red Lion.....	112
Hydraulic Cylinder (810-162C) Cross.....	114
Hydraulic Cylinder (810-162C) Midway.....	116
Hydraulic Cylinder (810-162C) Red Lion.....	118
Hydraulic Plumbing Standard Wing Fold.....	120
Hydraulic Selector Control Valve Kit.....	122
Hydraulics Optional Lift.....	124
<b>L</b>	
Label Placement.....	126

## RCFM45180 SERIES (1000RPM)

<b>A</b>	
Axle Center.....	158
Axle to Center Deck.....	160
Axle Wing.....	162
<b>D</b>	
Deck Blade Carrier (S/N 160142-).....	128
Deck Blade Carrier (S/N 160143+).....	130
Deck Center (S/N 77360-).....	132
Deck Center (S/N 77361 to 119280).....	134
Deck Center (S/N 119281 to 160142).....	136
Deck Center (S/N 160143+).....	138
Deck Center (S/N 160143+) Continued.....	140
Deck Left & Right Hand (S/N 77361-).....	142
Deck Left & Right Hand (S/N 77362 to 119280).....	144
Deck Left & Right Hand (S/N 119281 to 160142).....	146
Deck Left & Right Hand (S/N 160143+).....	148
Deck Lift.....	150
Driveline Arrangement- 1000 RPM.....	174
Driveline Center (826-078C) (S/N 82427-).....	176
Driveline Center (826-095C) (S/N 82428 to 115260) (S/N 119063 to 134999).....	178
Driveline Center (826-115C) (S/N 115261 to 119062) (S/N 135000+).....	180
Driveline Conv. 1000 RPM (826-084C) (S/N 115260-).....	182
Driveline Conv. 1000 RPM (826-113C) (S/N 115261+).....	184
Driveline CV 1000 RPM (826-077C) (S/N 82427-).....	186
Driveline CV 1000 RPM (826-099C) (S/N 82428 to 115260).....	188
Driveline CV 1000 RPM (826-118C) (S/N 115261+).....	190
Driveline CV 1000 RPM (826-244C) Walterscheid.....	192



## Alphabetized Table of Contents (continued)

Driveline CV 1000 RPM (826-477C) Comer (Service Only).....	194
Driveline Slip Clutch (676548303) Bondioli (S/N 82427-).....	196
Driveline Slip Clutch (053385).....	198
Driveline Slip Clutch (638237001, 638248001 & 638248006) Bondioli.....	200
Driveline Slip Clutch Wing (333919 & 053356).....	202
Driveline Wing (826-079C) (S/N 82427-).....	204
Driveline Wing (826-096C) (S/N 82428 to 115260).....	206
Driveline Wing (826-116C) (S/N 115261+).....	208

### G

Gearbox Center Deck 1000 RPM (826-060C) OMNI.....	210
Gearbox Center Deck 1000 RPM (826-074C) ITG.....	212
Gearbox Divider 1000 RPM (826-072C) ITG (S/N 113823-).....	214
Gearbox Divider 1000 RPM (826-072C) ITG (S/N 113824+).....	216
Gearbox Divider 1000 RPM (826-253C) OMNI.....	218
Gearbox Left Deck 1000 RPM (826-073C) ITG.....	220
Gearbox Left Deck 1000 RPM (826-038C) OMNI.....	222
Gearbox Right Deck 1000 RPM (826-075C) ITG.....	224
Gearbox Right Deck 1000 RPM (826-254C) COMER.....	226
Gearbox Right Deck 1000 RPM (826-254C) OMNI.....	228
Guards Center Deck (S/N 160278-).....	164
Guards Center Deck (S/N 160279+).....	166
Guards Wing Deck (S/N 160278-).....	168
Guards Wing Deck Front (S/N 160279+).....	170
Guards Wing Deck Rear (S/N 160279+).....	172

### H

Hitch (S/N 74020-).....	152
Hitch (S/N 74021 to 116033).....	154
Hitch (S/N 116034+).....	156
Hydraulic 3-Spool Control Valve Kit.....	230
Hydraulic Cylinder (810-150C) Cross.....	232
Hydraulic Cylinder (810-150C) Midway.....	234
Hydraulic Cylinder (810-150C) Red Lion.....	236
Hydraulic Cylinder (810-162C) Cross.....	238
Hydraulic Cylinder (810-162C) Midway.....	240
Hydraulic Cylinder (810-162C) Red Lion.....	242
Hydraulic Plumbing Standard Wing Fold.....	244
Hydraulic Selector Control Valve Kit.....	246
Hydraulics Optional Lift.....	248

### L

Label Placement.....	250
----------------------	-----

# General Information

## Using This Manual

This manual is divided into sections. The first section contains General Information. The remaining sections divide the machine into segments (i.e. Frames, Drives, Hydraulics, etc.) which illustrate and list all parts. A Parts Number Index is located at the back of the book.

The Land Pride parts in this manual are specially designed for this machine and should be replaced with Land Pride parts only.

The information in this manual is current at time of printing. Some parts may change to assure top performance.

Right-hand and left-hand as used in this manual are determined by facing the direction the machine will travel while in use.

Below is an example of two facing pages from a parts manual. Familiarize yourself with the type of information contained on these pages.

## Manual Replacement Information

Replacement manuals are available. Refer to our website at [www.landpride.com](http://www.landpride.com) or e-mail us at [lit@landpride.com](mailto:lit@landpride.com) for additional information. Our website continues to provide the most up-to-date manuals available.

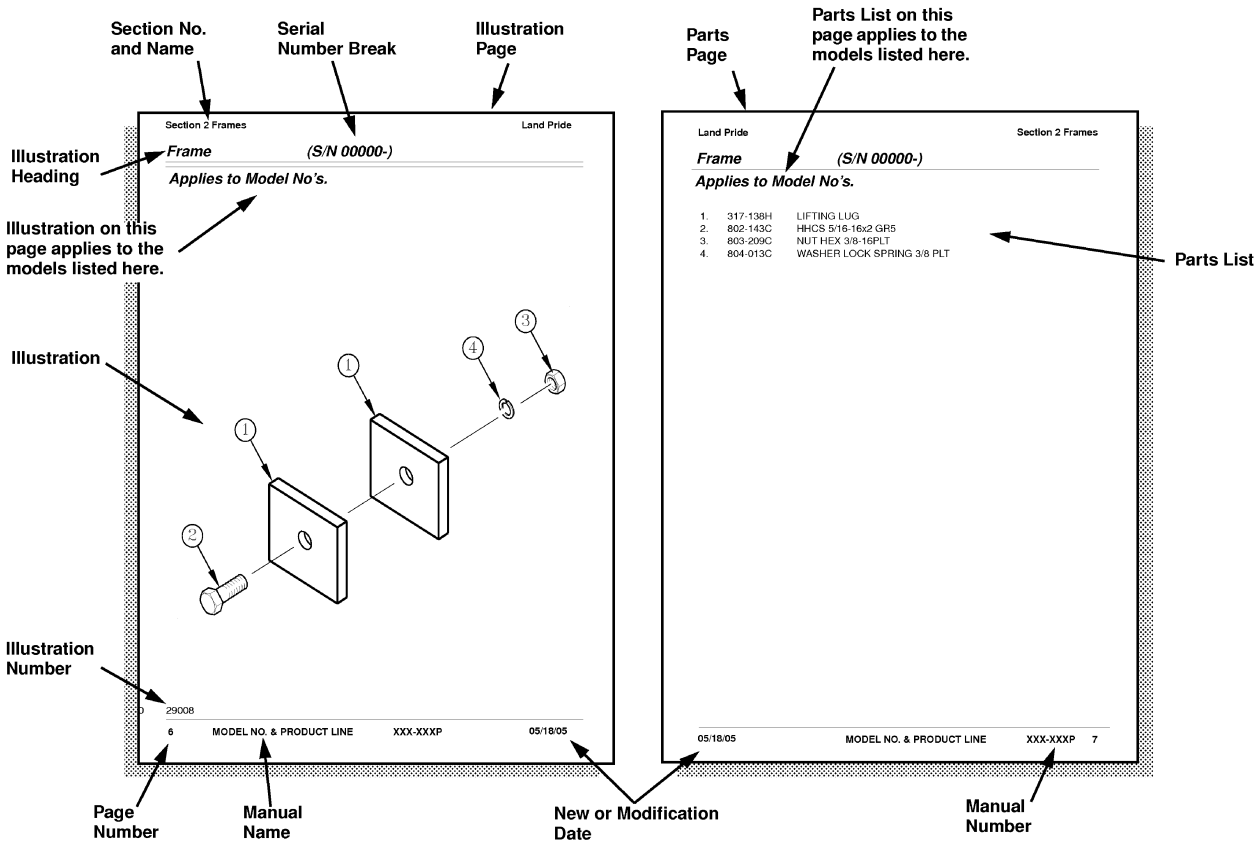
## Touch-up Paint

Repaint parts where paint is worn or scratched to prevent rust. Aerosol cans and touch-up bottles with brush applicator are available through your local dealer. Land Pride color descriptions and part numbers are listed below. Also available are quart and gallon size paints. Add QT or GL to end of the Aerosol P/N.

Color	Product <sup>1</sup>	Aerosol	Touch-Up
Gloss Black	LP	821-032C	821-032CTU
Medium Gloss Black	UV	821-053C	821-053CTU
Beige	LP	821-011C	821-011CTU
Green	SLP	821-058C	821-058CTU
Orange	SLP	821-066C	821-066CTU
Red	SLP/UV	821-054C	821-054CTU
Blue	SLP/UV	821-067C	821-067CTU
Dark Green Sparkle	UV	821-055C	821-055CTU
Gondo Forest Green	UV	821-057C	821-057CTU
Brite Yellow <sup>2</sup>	UV	821-056C	821-056CTU
Gondo Yellow <sup>3</sup>	UV	821-059C	821-059CTU

Notes:

- LP = All Land Pride Products except Utility Vehicles  
SLP = Select Land Pride Products that are available in optional Green, Orange, Red, & Blue colors.  
UV = Utility Vehicles
- Used on Trekers and (Runabouts with S/N 407628-)
- Used on Gondos and (Runabouts with S/N 407629+)



## General Information

### Hardware Legend

AR	As Required
BLADE	Blade Bolt
C	Cap Screw
CP	Cotter Pin
CPHSSS	Cup Point Hex Socket Set Screw
CPSHSS	Cup Point Square Head Set Screw
CPSQHSS	Cup Point Square Head Set Screw
CRFCHMS3	Cross Recess Flat Countersunk Head Machine Screw
CRPHMS	Cross Recess Pan Head Machine Screw
CRPHMFS	Cross Recess Pan Head Thread Forming
CRRHMS	Cross Recess Round Head Machine Screw
CRTHMS	Cross Recess Truss Head Machine Screw
CSNB	Countersunk Square Neck Bolt
FHMS	Flat Head Machine Screw
FTC	Full Thread Cap Screw
H	Hex Nut
HCLN	Hex Center Lock Nut
HFLCS	Hex Flange Lock Cap Screw
HFS	Hex Flange Screw
HFSLN	Hex Flange Serrated Lock Nut
HFSS	Hex Flange Serrated Screw
HHCS	Hex Head Cap Screw or Metric Bolt
HSBHCS	Hex Socket Button Head Cap Screw
HSFCHCS	Hex Socket Flat Countersunk Head Cap Screw
HSHCS	Hex Socket Head Cap Screw
HSSS	Hex Socket Head Screw
HTLN	Hex Top Lock Nut
HWHCS	Hex Washer Head Cap Screw

HWHMS	Hex Washer Head Machine Screw
HXBHCS	Hex Socket Button Head Cap Screw
J	Hex Jam Nut
JIC	37 Degree Tapered Thread
L	Helical Spring Lock Washer
LUG	Lug Bolt
NFC	National Fine Cap Screw
NPSM	National Pipe Straight Mechanical
NPTF	National Pipe Taper Fuel
P	Wide Plain Washer
PHMS	Pan Head Machine Screw
PLOW	Plow Bolt
RHMS	Round Head Machine Screw
RHSNB	Round Head Square Neck Bolt
SCREW LEVELING	Leveling Screw
SCREW THUMB	Thumb Screw
SCREW WELD	Weld Screw
SFCHMS	Slotted Flat Countersunk Head Machine Screw
SFHMS	Slotted Fillister Head Machine Screw
SP	Special
SP SCREW	Special Screw
SQHSS	Square Head Set Screw
SRHMS	Slotted Round Head Machine Screw
SSS	Socket Set Screw
STCS	Self Tapping Cap Screw
STHMS	Slotted Truss Head Machine Screw
WHEEL	Wheel Studs and Hub Long Bolts
WING	Wing Bolt

### Replacement Hardware

The **Hardware Legend** above lists hardware abbreviations used in the parts list. All bolts and nuts are Grade 5 unless otherwise noted. The use of improper grades of hardware can result in personal injury, damage to equipment, or loss of property.

### Colored Replacement Parts

Land Pride offers replacement parts in factory standard colors and also on select models in Green, Orange, Red and Blue. Because of the variety of colors available, special attention must be given to the part number to prevent ordering the wrong replacement part.

A suffix number corresponding to one of the colors below must be added at the end of Land Pride's part number when ordering a replacement part with that color.

**81** . . . . . **Green**      **83** . . . . . **Red**  
**82** . . . . . **Orange**    **84** . . . . . **Blue**

For example, if you are ordering a replacement part with part number 555-555C and the part you need is red, then add the suffix 83 to the end of the number to make the part number read 555-555C83. Parts ordered without a suffix number will be supplied in factory standard colors.

### Black Replacement Parts

Some parts are factory standard black and some must be special ordered black. If your part is special ordered black, a second part number with the additional suffix number 85 on the end will be available. In this situation you must order that part with the suffix number for it to be black. Parts that are factory standard black will not have the suffix number.

### Part Number Service Coding

Within the parts list some part numbers are coded for revisions and interchangeability. See notations in revision column.

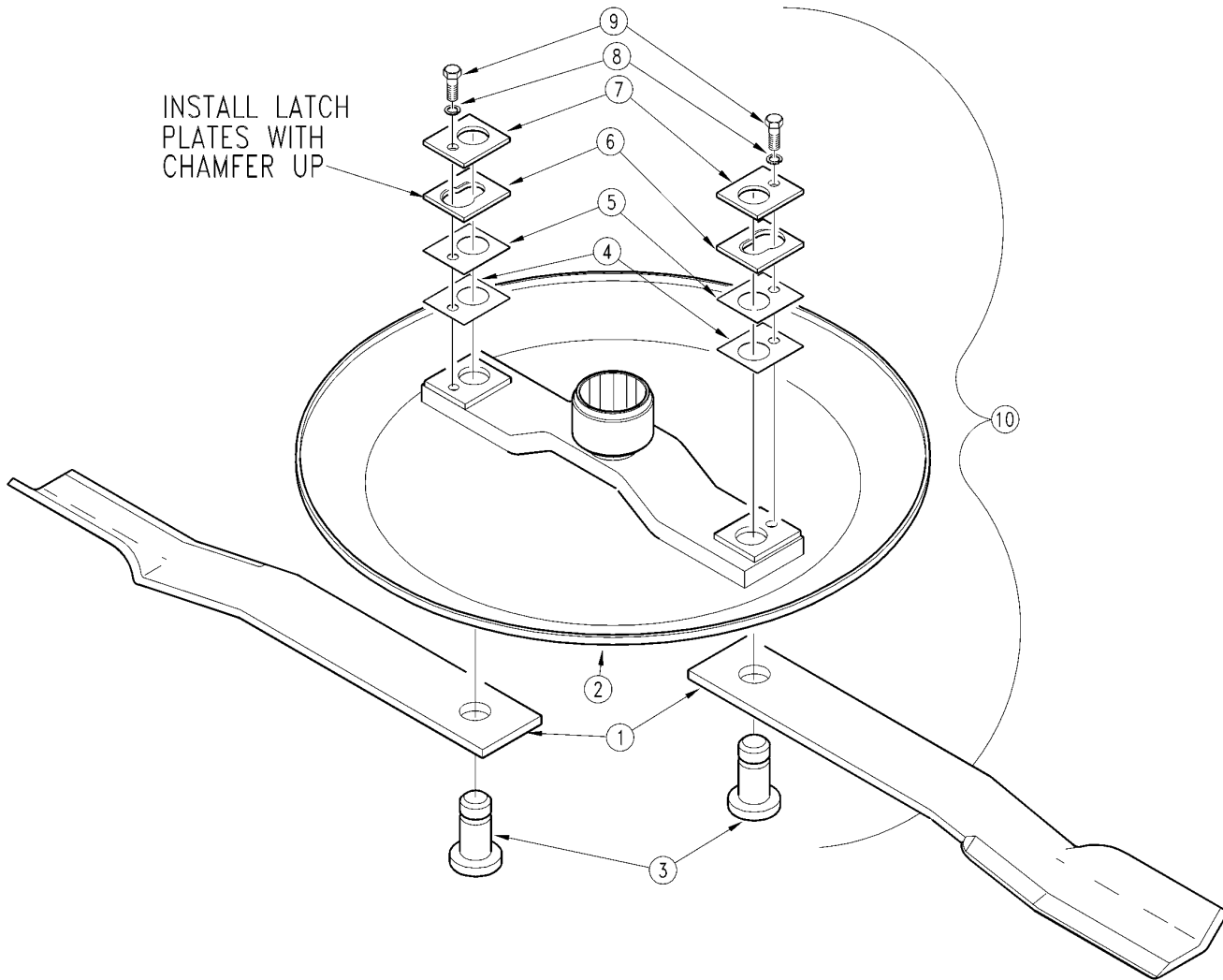
### Serial Numbers

Always use the serial and model number when ordering parts. Refer to the Operator's Manual for serial number plate location.

- (S/N 20001+)                      Includes serial numbers 20001 and above (to the latest number)
- (S/N 10001 to 20000)           Includes serial numbers between and including 10001 and 20000
- (S/N 10000-)                      Includes serial numbers 10000 and below (to the earliest number)

### Deck Blade Carrier (S/N 160142-)

Applies to RCF45180



11027

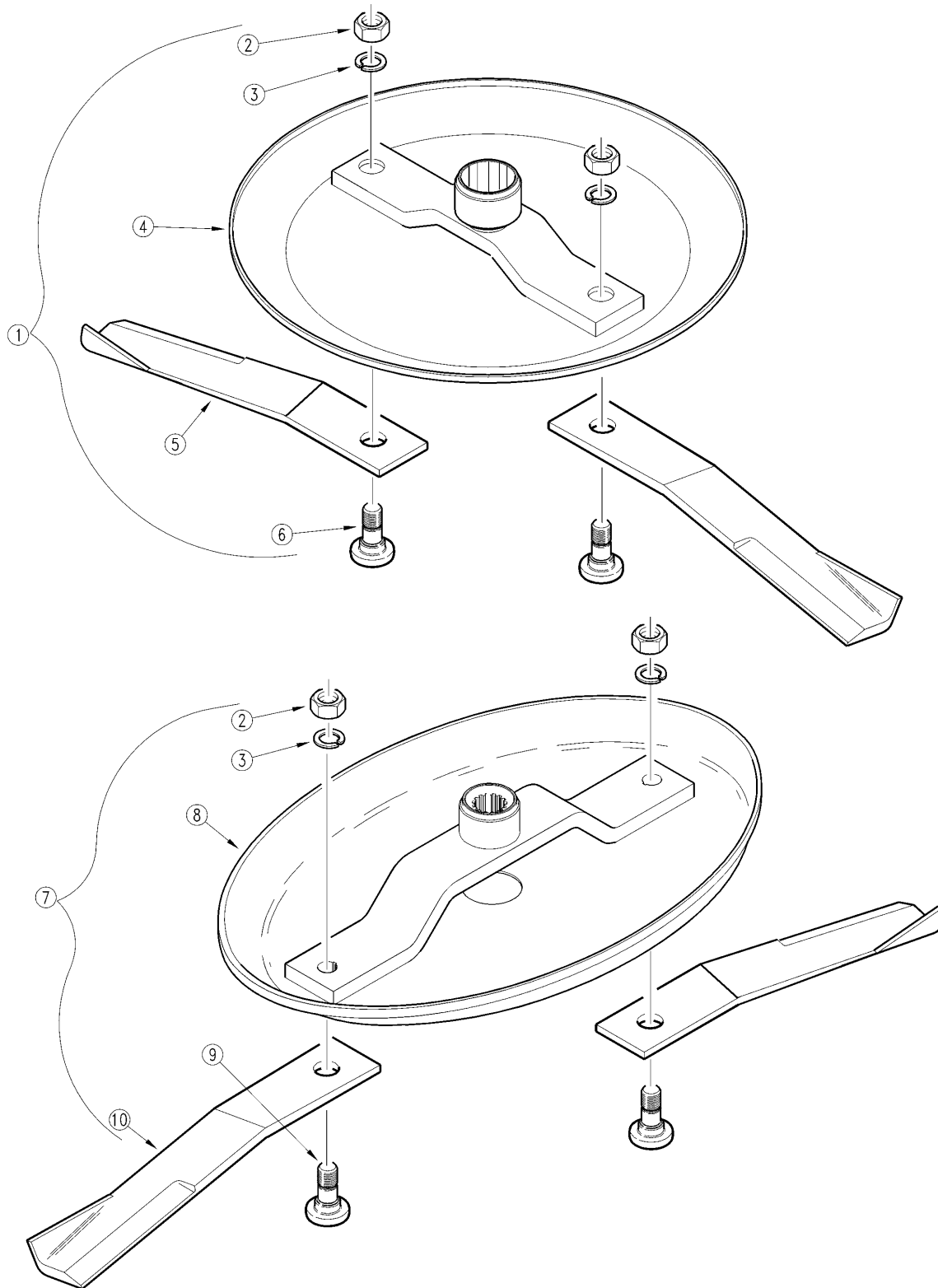


**Deck Blade Carrier (S/N 160142-)****Applies to RCF45180**

Ref	Part No.	Part Description	Comments	Revision
	dwg11027	Drawing Image Number		
1.	820-091C	CUTTER BLADE 1/2 X 4 X 25.75CW	Left Hand Deck	
1.	820-092C	CUTTER BLADE 1/2 X 4 X 25.75CCW	Right Hand Deck	
1.	820-090C	CUTTER BLADE 1/2 X 4 X 29 CCW	Center Deck	
2.	312-220H	13" ROUND DISHPAN WELDMENT ITG		
2.	312-308H	19" ROUND DISHPAN WELDMENT ITG		
3.	802-374C	BLADE BOLT 1 1/2 X 3 LG	(S/N 87908 <-> 160142)	Rev. 2
3.	802-341C	BLADE BOLT 1 1/2 X 3 LG	(RPBY 802-374C)	Rev 1; Use up stock
4.	312-449D	BLADE BOLT SHIM - 20 GA		
5.	312-448D	BLADE BOLT SHIM - 18 GA		
6.	890-231C	BLADE BOLT LATCH PLATE	(S/N 87908 <-> 160142)	Rev. 3
6.	890-220C	RPBY 890-231C		Rev 2; Use up stock
6.	312-451D	RPBY 890-220C		Rev 1; Use up stock
7.	312-450D	BLADE BOLT TOP PLATE		
8.	804-015C	WASHER LOCK SPRING 1/2 PLT		
9.	802-349C	HHCS 1/2-20X1 3/4 GR5 NYL		
10.	312-233S	LH DECK BLADE CARRIER ASSY	(S/N 160142-)	
10.	312-235S	RH DECK BLADE CARRIER ASSY	(S/N 160142-)	
10.	312-234S	CTR DECK BLADE CARRIER ASSY	(S/N 160142-)	

### Deck Blade Carrier (S/N 160143+)

Applies to RCF45180



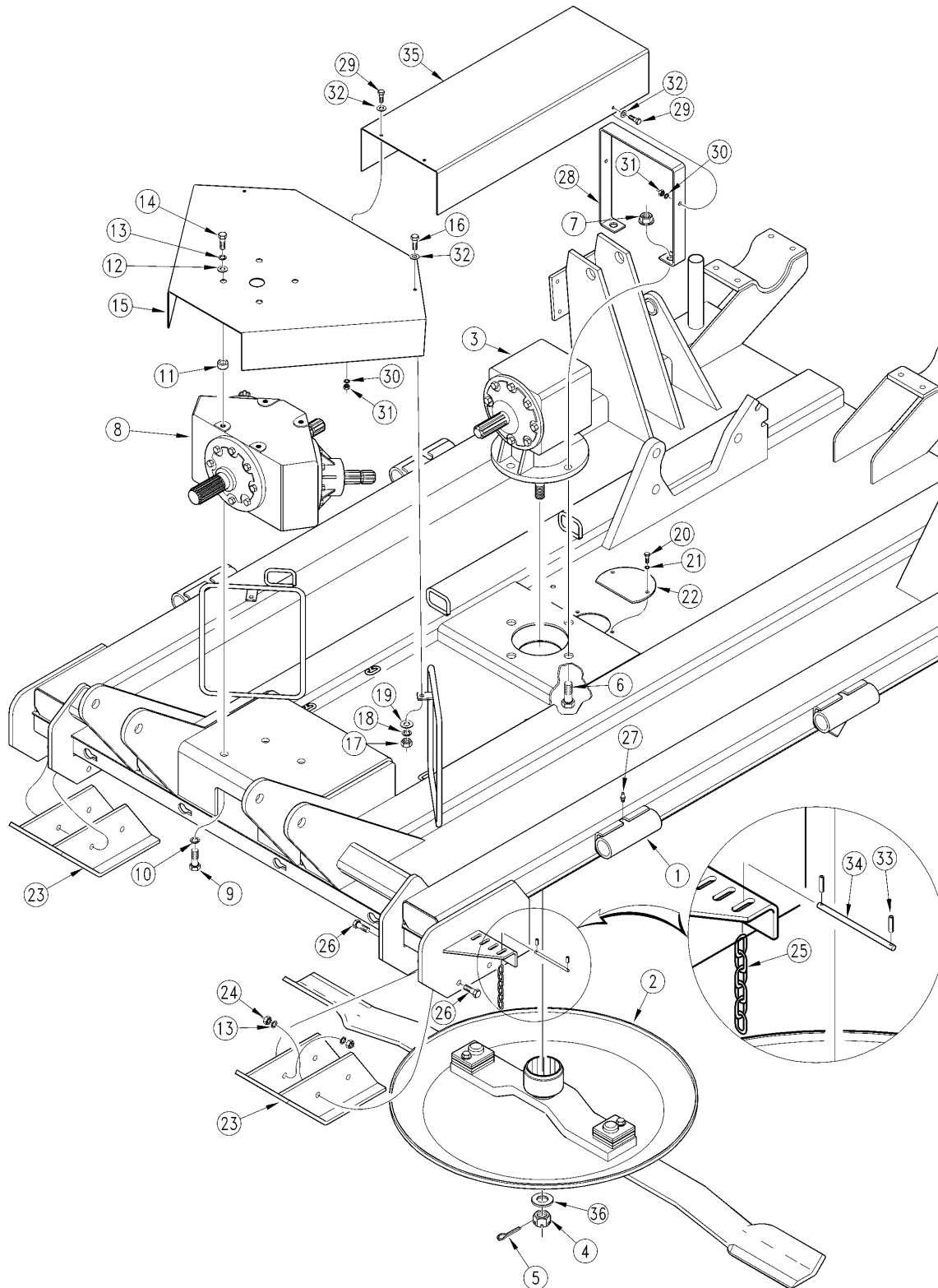
14327

**Deck Blade Carrier (S/N 160143+)****Applies to RCF45180**

<b>Ref</b>	<b>Part No.</b>	<b>Part Description</b>	<b>Comments</b>	<b>Revision</b>
	dwg14327	Drawing Image Number		
1.	312-451S	LH DECK BLADE CARRIER ASSY		
1.	312-453S	RH DECK BLADE CARRIER ASSY		
2.	803-170C	NUT HEX LOCK 1 1/8-12 STA GR C		
3.	804-067C	WASHER LOCK 1 1/8		
4.	312-434H	15" ROUND DISHPAN WLDMT SHORT		
5.	820-112C	CUTTER BLADE 1/2 X 4 X 25 CW	Standard Blade Left Hand Deck. Quantity 2 per deck	
5.	820-209C	CUTTER BLADE 1/2X4X25 LL CW	Optional Blade Left Hand Deck. Quantity 2 per deck	
5.	820-137C	CUTTER BLADE 1/2 X 4 X 25 CCW	Standard Blade Right Hand and Center Deck. Quantity 2 per deck	
5.	820-193C	CUTTER BLADE 1/2X4X25 LL CCW	Optional Blade Right Hand and Center Deck. Quantity 2 per deck	
6.	802-277C	BLADE BOL 1 1/8-12X3 7/16 W/KY		
7.	312-452S	CTR DECK BLADE CARRIER ASSY		
8.	312-433H	27" OVAL DISHPAN WLDMNT SHORT		
9.	802-277C	BLADE BOL 1 1/8-12X3 7/16 W/KY		
10.	820-137C	CUTTER BLADE 1/2 X 4 X 25 CCW	Standard Blade Right Hand and Center Deck. Quantity 2 per deck	
10.	820-193C	CUTTER BLADE 1/2X4X25 LL CCW	Optional Blade Right Hand and Center Deck. Quantity 2 per deck	

**Deck Center (S/N 77360-)**

**Applies to RCF45180**



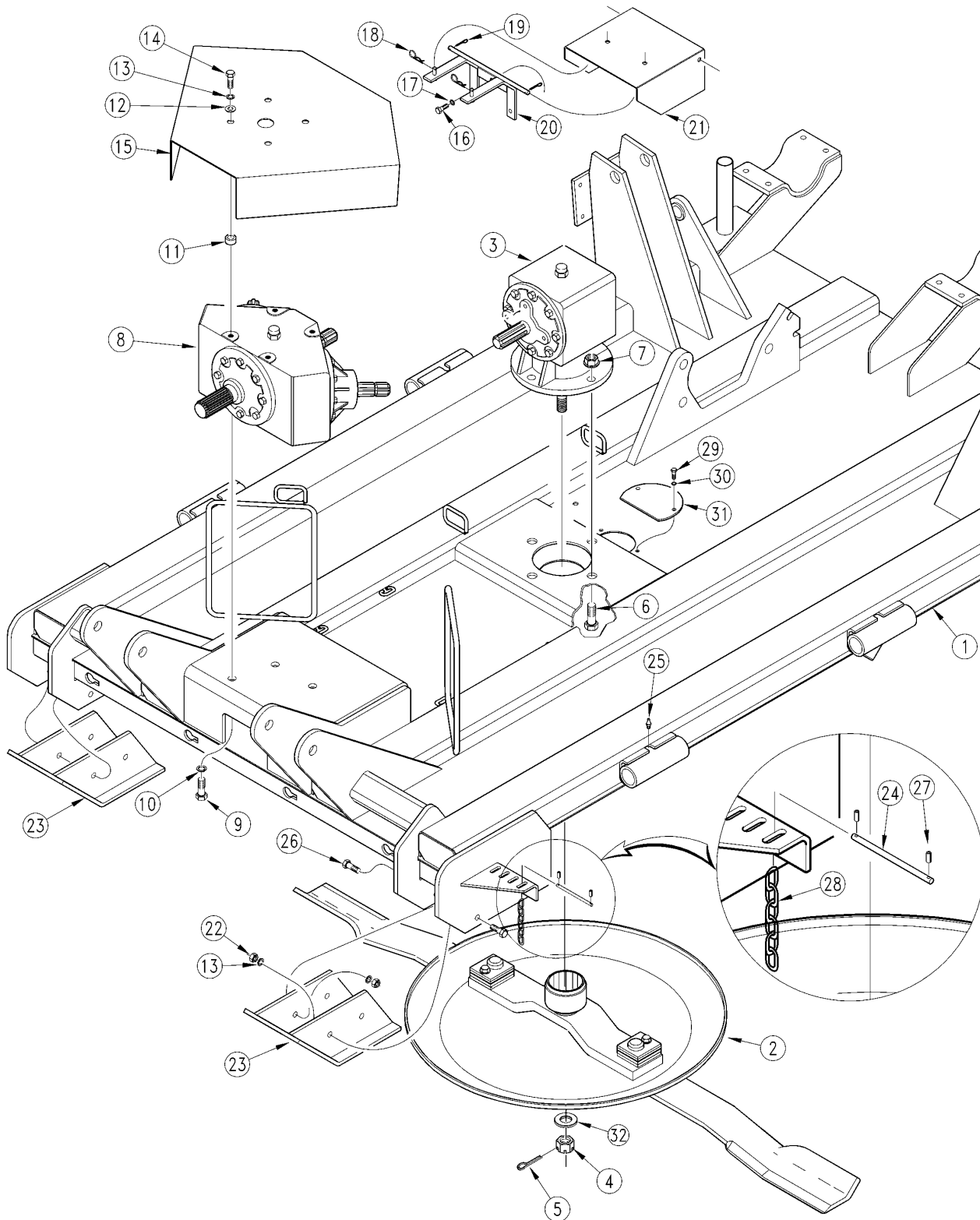
13170

**Deck Center (S/N 77360-)****Applies to RCF45180**

Ref	Part No.	Part Description	Comments	Revision
	dwg13170	Drawing Image Number		
1.	312-205H	CENTER DECK WELDMENT		
2.	312-234S	CTR DECK BLADE CARRIER ASSY		
3.	826-376C	GBOX RC25 1.38-6 1:1.47 STD.	540 RPM Service Only	540 RPM Service Only
3.	826-035C	RPBY 826-376C	540 RPM Service Only	
3.	826-069C	RPBY 826-035C		
3.	826-060C	GEARBOX RC71SS 1.21:1 REDUC	1000 RPM Service Only	1000 RPM Service Only
3.	826-074C	RPBY 826-060C		
4.	803-095C	NUT HEX SLOTTED 1-14		
5.	805-017C	PIN COTTER 3/16 X 1 3/4 PLT		Rev. 2
5.	805-016C	PIN COTTER 3/16 X 1 1/4 PLT		Rev 1; Use up stock
6.	802-066C	HHCS 3/4-10X3 1/2 GR5		
7.	803-299C	NUT HEX FLG TOP LK 3/4-10 PLT		
8.	826-242C	DIV. BOX RCD101 1.75-20 1:1.15		540 RPM Service Only
8.	826-068C	RPBY 826-242C		
8.	826-253C	DIV.BOX RCD101 1.75-20 1.3:1	1000 RPM Service Only	1000 RPM Service Only
8.	826-072C	RPBY 826-253C		
9.	802-050C	HHCS 5/8-11X1 1/4 GR5		Rev. 2
9.	802-051C	HHCS 5/8-11X1 1/2 GR5		Rev 1; Use up stock
10.	804-022C	WASHER LOCK SPRING 5/8 PLT		
11.	310-024D	GAUGE WHEEL SPACER - SHORT		Rev. 2
11.	312-500D	RPBY 310-024D		Rev 1; Use up stock
12.	804-016C	WASHER FLAT 1/2 SAE PLT		
13.	804-015C	WASHER LOCK SPRING 1/2 PLT		
14.	802-091C	HHCS 1/2-13X1 1/2 GR5		
15.	312-544D	POWER DIVIDER SHIELD		
16.	802-017C	HHCS 3/8-16X1 GR5		
17.	803-014C	NUT HEX 3/8-16 PLT		
18.	804-013C	WASHER LOCK SPRING 3/8 PLT		
19.	804-012C	WASHER FLAT 3/8 SAE PLT		
20.	802-007C	HHCS 5/16-18X3/4 GR5		
21.	804-009C	WASHER LOCK SPRING 5/16 PLT		
22.	312-459D	ACCESS COVER - BLADE BOLT		
23.	312-218H	FRONT SKID SHOE WELDMENT		
24.	803-020C	NUT HEX 1/2-13 PLT		
25.	890-175C	CHAIN 5/16 PROOF X 6 LINKS PLT		
26.	802-091C	HHCS 1/2-13X1 1/2 GR5		
27.	800-080C	GREASE ZERK 1/4-28 THD FORMING		Rev. 2 not compat. w/Rev. 1
27.	800-001C	GREASE ZERK STRAIGHT 1/4-28		Rev. 1
28.	312-458D	SUPPORT - WING BOX GUARD		
29.	802-004C	HHCS 1/4-20X3/4 GR5		
30.	804-006C	WASHER LOCK SPRING 1/4 PLT		
31.	803-006C	NUT HEX 1/4-20 PLT		
32.	804-007C	WASHER FLAT 1/4 SAE PLT		
33.	805-136C	PIN ROLL 1/8 X 1 1/4 LG. PLT		
34.	312-509D	CHAIN HANGER ROD CTR FWD		
35.	312-098D	GUARD - CENTER GEARBOX		
36.	804-070C	FLAT WASHER 1 SPECIAL		

**Deck Center (S/N 77361 to 119280)**

Applies to RCF45180



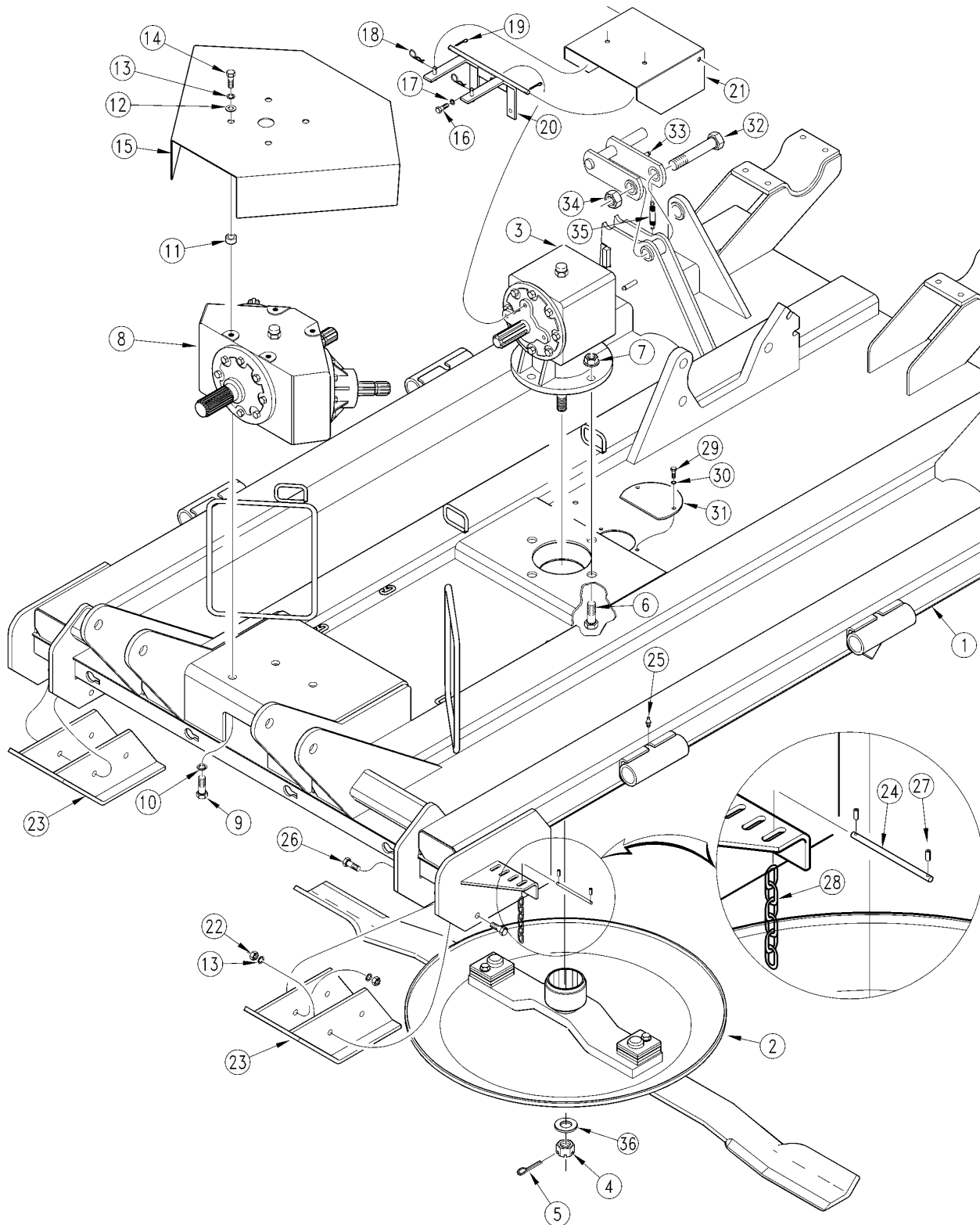
11028

**Deck Center (S/N 77361 to 119280)****Applies to RCF45180**

Ref	Part No.	Part Description	Comments	Revision
	dwg11028	Drawing Image Number		
1.	312-205H	CENTER DECK WELDMENT		
2.	312-234S	CTR DECK BLADE CARRIER ASSY		
3.	826-376C	GBOX RC25 1.38-6 1:1.47 STD	540 RPM Service Only	540 RPM Service Only
3.	826-035C	RPBY 826-376C	540 RPM Service Only	
3.	826-069C	RPBY 826-035C		
3.	826-060C	GEARBOX RC71SS 1.21:1 REDUC	1000 RPM Service Only	1000 RPM Service Only
3.	826-074C	RPBY 826-060C		
4.	803-095C	NUT HEX SLOTTED 1-14		
5.	805-017C	PIN COTTER 3/16 X 1 3/4 PLT		
6.	802-066C	HHCS 3/4-10X3 1/2 GR5		
7.	803-299C	NUT HEX FLG TOP LK 3/4-10 PLT		
8.	826-242C	DIV. BOX RCD101 1.75-20 1:1.15	540 RPM Service Only	540 RPM Service Only
8.	826-068C	RPBY 826-242C		
8.	826-253C	DIV.BOX RCD101 1.75-20 1.3:1	1000 RPM Service Only	1000 RPM Service Only
8.	826-072C	RPBY 826-253C		
9.	802-050C	HHCS 5/8-11X1 1/4 GR5		
10.	804-022C	WASHER LOCK SPRING 5/8 PLT		
11.	310-024D	GAUGE WHEEL SPACER - SHORT		Rev. 2
11.	312-500D	RPBY 310-024D		Rev 1; Use up stock
12.	804-016C	WASHER FLAT 1/2 SAE PLT		
13.	804-015C	WASHER LOCK SPRING 1/2 PLT		
14.	802-091C	HHCS 1/2-13X1 1/2 GR5		
15.	312-544D	POWER DIVIDER SHIELD		
16.	802-017C	HHCS 3/8-16X1 GR5		
17.	804-013C	WASHER LOCK SPRING 3/8 PLT		
18.	805-010C	PIN HAIR COTTER .094		
19.	805-069C	PIN COTTER 3/16 X 1		
20.	312-334H	GEARBOX SHIELD SUPPORT WELDMT		
21.	312-540D	GEARBOX SHIELD		
22.	803-020C	NUT HEX 1/2-13 PLT		
23.	312-218H	FRONT SKID SHOE WELDMENT		
24.	312-509D	CHAIN HANGER ROD CTR FWD		
25.	800-080C	ZERK GREASE 1/4-28 THD FORMING		
26.	802-091C	HHCS 1/2-13X1 1/2 GR5		
27.	805-136C	PIN ROLL 1/8 X 1 1/4 LG. PLT		
28.	890-175C	CHAIN 5/16 PROOF X 6 LINKS PLT		
29.	802-007C	HHCS 5/16-18X3/4 GR5		
30.	804-009C	WASHER LOCK SPRING 5/16 PLT		
31.	312-459D	ACCESS COVER - BLADE BOLT		
32.	804-070C	FLAT WASHER 1 SPECIAL		

**Deck Center (S/N 119281 to 160142)**

Applies to RCF45180



13164

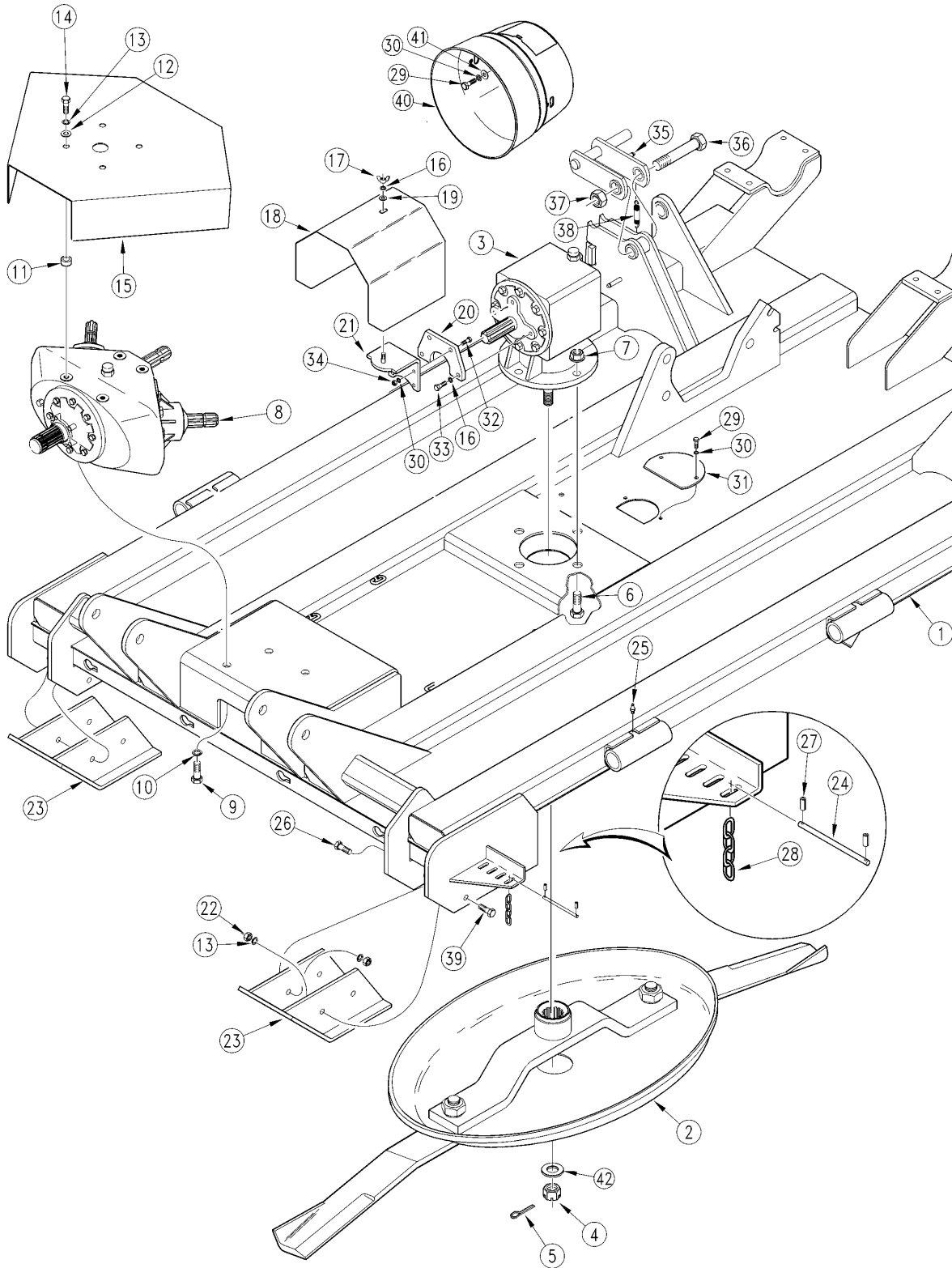


**Deck Center (S/N 119281 to 160142)****Applies to RCF45180**

Ref	Part No.	Part Description	Comments	Revision
	dwg13164	Drawing Image Number		
1.	312-205H	CENTER DECK WELDMENT		
2.	312-234S	CTR DECK BLADE CARRIER ASSY		
3.	826-376C	GBOX RC25 1.38-6 1:1.47 STD.	540 RPM Service Only	
3.	826-035C	RPBY 826-376C	540 RPM Service Only	
3.	826-069C	RPBY 826-035C		
3.	826-060C	GEARBOX RC71SS 1.21:1 REDUC	1000 RPM Service Only	
3.	826-074C	RPBY 826-060C		
4.	803-095C	NUT HEX SLOTTED 1-14		
5.	805-017C	PIN COTTER 3/16 X 1 3/4 PLT		
6.	802-066C	HHCS 3/4-10X3 1/2 GR5		
7.	803-299C	NUT HEX FLG TOP LK 3/4-10 PLT		
8.	826-242C	DIV. BOX RCD101 1.75-20 1:1.15	540 RPM Service Only	
8.	826-068C	RPBY 826-242C		
8.	826-253C	DIV.BOX RCD101 1.75-20 1.3:1	1000 RPM Service Only	
8.	826-072C	RPBY 826-253C		
9.	802-050C	HHCS 5/8-11X1 1/4 GR5		
10.	804-022C	WASHER LOCK SPRING 5/8 PLT		
11.	310-024D	GAUGE WHEEL SPACER - SHORT		
12.	804-016C	WASHER FLAT 1/2 SAE PLT		
13.	804-015C	WASHER LOCK SPRING 1/2 PLT		
14.	802-091C	HHCS 1/2-13X1 1/2 GR5		
15.	312-544D	POWER DIVIDER SHIELD		
16.	802-017C	HHCS 3/8-16X1 GR5		
17.	804-013C	WASHER LOCK SPRING 3/8 PLT		
18.	805-010C	PIN HAIR COTTER .094		
19.	805-067C	PIN COTTER 1/8 X 3/4		
20.	312-334H	GEARBOX SHIELD SUPPORT WELDMT		
21.	312-540D	GEARBOX SHIELD		
22.	803-020C	NUT HEX 1/2-13 PLT		
23.	312-218H	FRONT SKID SHOE WELDMENT		
24.	312-509D	CHAIN HANGER ROD CTR FWD		
25.	800-080C	ZERK GREASE 1/4-28 THD FORMING		
26.	802-091C	HHCS 1/2-13X1 1/2 GR5		
27.	805-136C	PIN ROLL 1/8 X 1 1/4 LG. PLT		
28.	890-175C	CHAIN 5/16 PROOF X 6 LINKS PLT		
28.	890-400C	CHAIN WELD 5/16 PROOF X 4 LINK		
29.	802-007C	HHCS 5/16-18X3/4 GR5		
30.	804-009C	WASHER LOCK SPRING 5/16 PLT		
31.	312-459D	ACCESS COVER - BLADE BOLT		
32.	802-235C	HHCS 1-8X5 GR5	(S/N 119,281+)	
33.	312-372H	WING LOCK W/HANDLE WELDMENT	(S/N 119281+)	
34.	803-038C	NUT HEX 1-8 NYLON INSERT PLT	(S/N 119281+)	
35.	807-026C	PIVOT STOP SPRING	(S/N 119281+)	
36.	804-070C	FLAT WASHER 1 SPECIAL		

**Deck Center (S/N 160143+)**

Applies to RCF45180



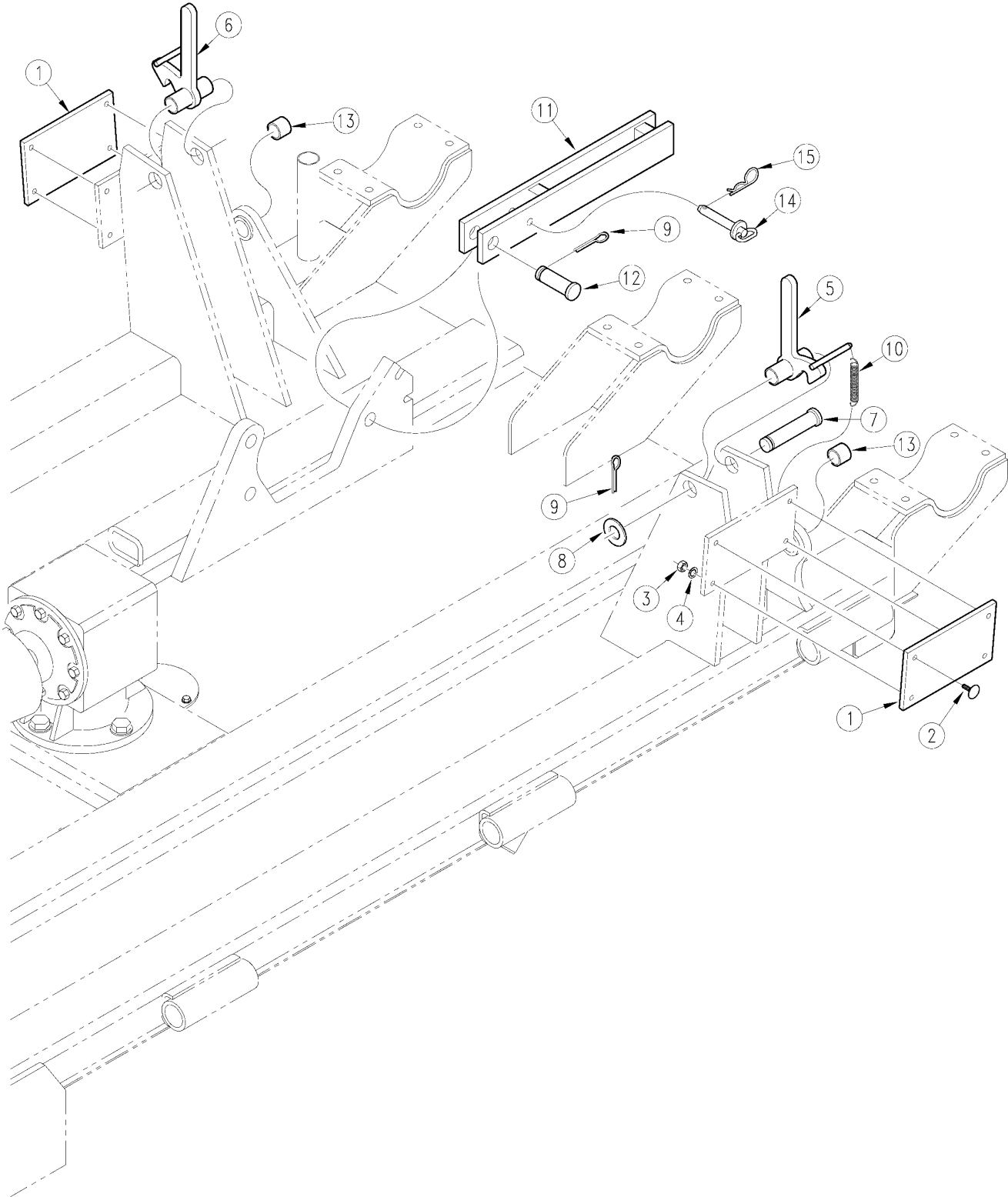
14087

**Deck Center (S/N 160143+)****Applies to RCF45180**

Ref	Part No.	Part Description	Comments	Revision
	dwg14087	Drawing Image Number		
1.	312-205H	CENTER DECK WELDMENT		
2.	312-452S	CTR DECK BLADE CARRIER ASSY		
3.	826-376C	GBOX RC25 1.38-6 1:1.47 STD.	540 RPM Service Only	
3.	826-035C	RPBY 826-376C	540 RPM Service Only	
3.	826-069C	RPBY 826-035C		
3.	826-060C	GEARBOX RC71SS 1.21:1 REDUC	1000 RPM Service Only	
3.	826-074C	RPBY 826-060C		
4.	803-095C	NUT HEX SLOTTED 1-14		
5.	805-017C	PIN COTTER 3/16 X 1 3/4 PLT		
6.	802-066C	HHCS 3/4-10X3 1/2 GR5		
7.	803-299C	NUT HEX FLG TOP LK 3/4-10 PLT		
8.	826-242C	DIV. BOX RCD101 1.75-20 1:1.15	540 RPM Service Only	
8.	826-068C	RPBY 826-242C		
8.	826-253C	DIV.BOX RCD101 1.75-20 1.3:1	1000 RPM Service Only	
8.	826-072C	RPBY 826-253C		
9.	802-050C	HHCS 5/8-11X1 1/4 GR5		
10.	804-022C	WASHER LOCK SPRING 5/8 PLT		
11.	310-024D	GAUGE WHEEL SPACER - SHORT		
12.	804-016C	WASHER FLAT 1/2 SAE PLT		
13.	804-015C	WASHER LOCK SPRING 1/2 PLT		
14.	802-091C	HHCS 1/2-13X1 1/2 GR5		
15.	312-544D	POWER DIVIDER SHIELD		
16.	804-013C	WASHER LOCK SPRING 3/8 PLT		
17.	803-231C	NUT WING 3/8-16 PLT		
18.	312-399H	SHIELD WELDMENT	Used on ITG gearboxes only	
19.	804-012C	WASHER FLAT 3/8 SAE PLT		
20.	312-633D	GEARBOX SHIELD MOUNT BRACKET		
21.	312-400H	SHIELD MOUNT BRACKET WELDMENT		
22.	803-020C	NUT HEX 1/2-13 PLT		
23.	312-218H	FRONT SKID SHOE WELDMENT		
24.	312-509D	CHAIN HANGER ROD CTR FWD		
25.	800-080C	ZERK GREASE 1/4-28 THD FORMING		
26.	802-091C	HHCS 1/2-13X1 1/2 GR5		
27.	805-136C	PIN ROLL 1/8 X 1 1/4 LG. PLT		
28.	890-400C	CHAIN WELD 5/16 PROOF X 4 LINK		
29.	802-007C	HHCS 5/16-18X3/4 GR5		
30.	804-009C	WASHER LOCK SPRING 5/16 PLT		
31.	312-459D	ACCESS COVER - BLADE BOLT		
32.	802-159C	HHCS 5/16-18X1 GR5		
33.	802-017C	HHCS 3/8-16X1 GR5		
34.	802-159C	HHCS 5/16-18X1 GR5		
35.	312-372H	WING LOCK W/HANDLE WELDMENT		
36.	802-235C	HHCS 1-8X5 GR5		
37.	803-038C	NUT HEX 1-8 NYLON INSERT PLT		
38.	807-026C	PIVOT STOP SPRING		
39.	802-091C	HHCS 1/2-13X1 1/2 GR5		
40.	826-222C	LARGE SHAFT CONE W ACCESS DOOR	Used on OMNI gearboxes only	
41.	804-036C	WASHER FLAT 5/16 SAE PLT		
42.	804-070C	FLAT WASHER 1 SPECIAL		

**Deck Center (S/N 160143+) Continued**

Applies to RCF45180



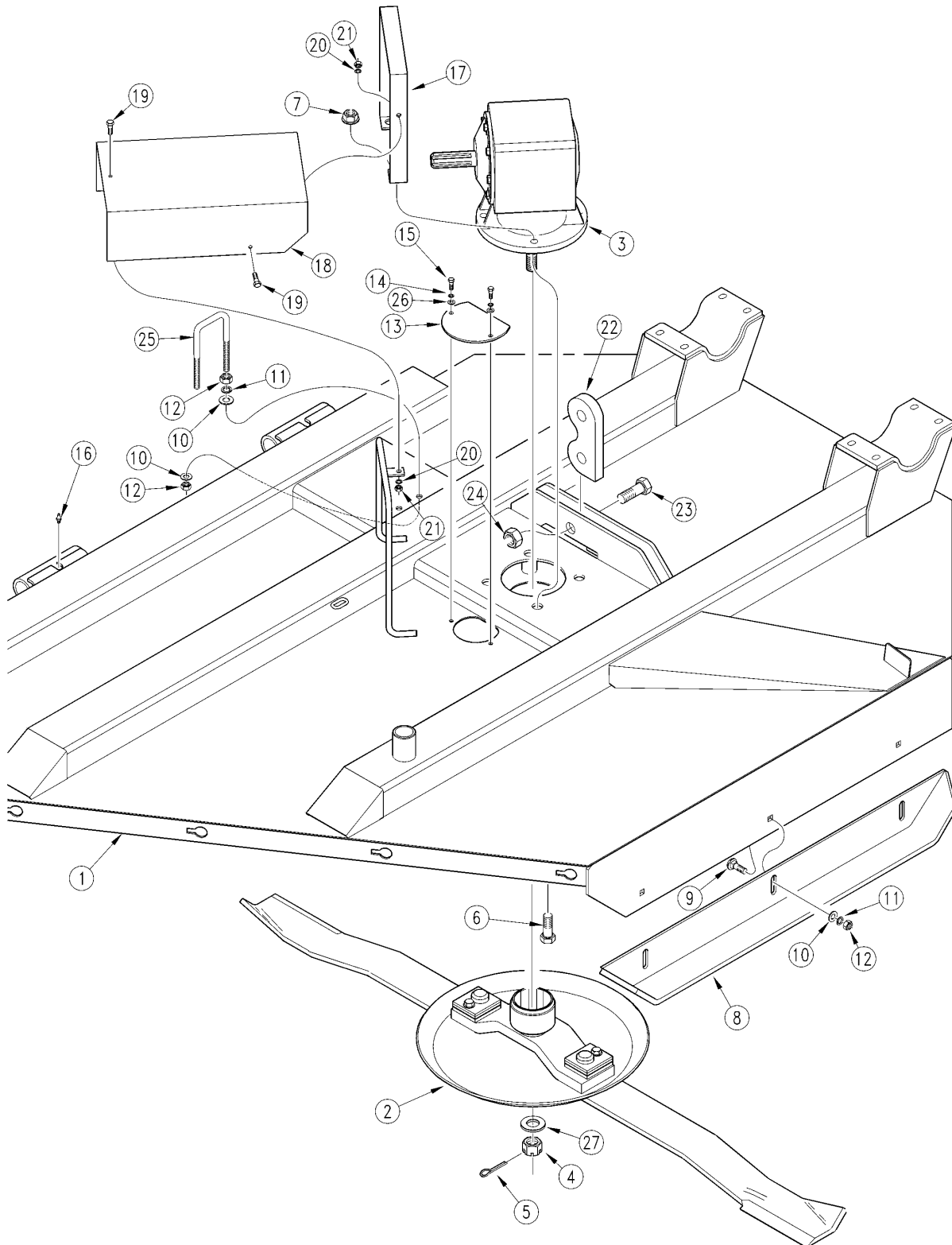
11029

**Deck Center (S/N 160143+) Continued****Applies to RCF45180**

<b>Ref</b>	<b>Part No.</b>	<b>Part Description</b>	<b>Comments</b>	<b>Revision</b>
	dwg11029	Drawing Image Number		
1.	816-123C	WING STOP RUBBER	(S/N 119280-)	
2.	802-342C	ELEVATOR 1/4-20X1	(S/N 119280-)	
3.	803-006C	NUT HEX 1/4-20 PLT	(S/N 119280-)	
4.	804-049C	WASHER LOCK INTERNAL TOOTH 1/4	(S/N 119280-)	
5.	312-227H	WING LATCH LH	(S/N 119280-)	
6.	312-228H	WING LATCH RH	(S/N 119280-)	
7.	805-131C	PIN CLEVIS 1 X 4 3/4 USABLE	(S/N 119280-)	
8.	804-029C	WASHER FLAT 1 SAE PLT	(S/N 119280-)	
9.	805-104C	PIN COTTER 3/16 X 1 1/2 PLT		
10.	807-026C	PIVOT STOP SPRING	(S/N 119280-)	
11.	312-217H	TRANSPORT LINK WELDMENT		
11.	312-356H	AIRCRAFT TIRE TRANSPORT LINK	Used Only With 814-086C	
12.	805-004C	PIN CLEVIS 1 X 2 3/4 USABLE LG		
13.	890-005C	BUSHING CYL 1 1/4 X 1 X 1		
14.	805-002C	PIN HITCH 1/2 X 3 USABLE LG		
15.	805-032C	PIN HAIR COTTER .148 WIRE		

**Deck Left & Right Hand (S/N 77361-)**

Applies to RCF45180



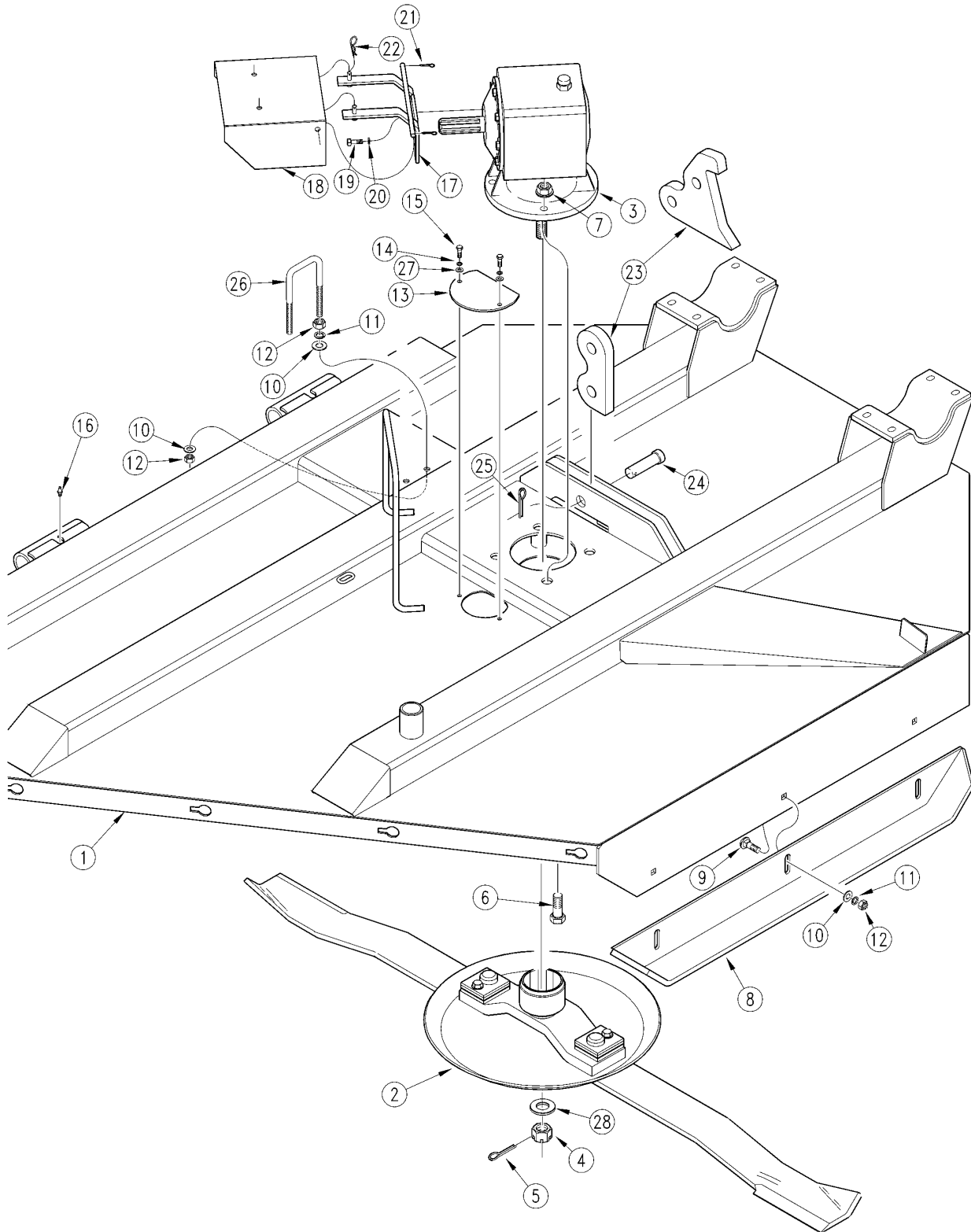
14315

**Deck Left & Right Hand (S/N 77361-)****Applies to RCF45180**

Ref	Part No.	Part Description	Comments	Revision
	dwg14315	Drawing Image Number		
1.	312-206H	LEFT WING DECK WELDMENT		
1.	312-207H	RIGHT WING DECK WELDMENT		
2.	312-233S	LH DECK BLADE CARRIER ASSY		
2.	312-235S	RH DECK BLADE CARRIER ASSY		
3.	826-376C	GBOX RC25 1.38-6 1:1.47 STD	LH Deck 540 RPM Service Only	
3.	826-035C	RPBY 826-376C	LH Deck 540 RPM Service Only	
3.	826-069C	RPBY 826-035C		
3.	826-241C	GBOX RC71 1-3/8"-6A 1:1.46 CCW	RH Deck 540 RPM Service Only	
3.	826-070C	RPBY 826-241C		
3.	826-038C	GEARBOX RC71SR 1:1.21 INCREASE	LH Deck 1000 RPM Service Only	
3.	826-073C	RPBY 826-038C		
3.	826-254C	GBOX RC71 REV. 1:1.21 1 3/8-6	RH Deck 1000 RPM Service Only	
3.	826-075C	RPBY 826-254C		
4.	803-095C	NUT HEX SLOTTED 1-14		
5.	805-017C	PIN COTTER 3/16 X 1 3/4 PLT		Rev. 2
5.	805-016C	PIN COTTER 3/16 X 1 1/4 PL	(RPBY 805-017C)	Rev 1; Use up stock
6.	802-066C	HHCS 3/4-10X3 1/2 GR5		
7.	803-299C	NUT HEX FLG TOP LK 3/4-10 PLT		
8.	312-226H	WING SKID SHOE WELDMENT		
9.	802-214C	RHSNB 1/2-13X1 1/4 GR5		
10.	804-016C	WASHER FLAT 1/2 SAE PLT	(RPBY 803-169C; Only On Skid Shoe)	
11.	804-015C	WASHER LOCK SPRING 1/2 PLT	(RPBY 803-169C; Only On Skid Shoe)	
12.	803-169C	NUT HEX FLG. LOCK 1/2-13 PLT	(Rplcs 803-020C, 804-015C & 804-016C; Only On Skid Shoe)	Rev. 2
12.	803-020C	NUT HEX 1/2-13 PLT	(RPBY 803-169C; Only On Skid Shoe)	Rev 1; Use up stock
13.	312-459D	ACCESS COVER - BLADE BOLT		
14.	804-009C	WASHER LOCK SPRING 5/16 PLT		
15.	802-007C	HHCS 5/16-18X3/4 GR5		
16.	800-080C	ZERK GREASE 1/4-28 THD FORMING		Rev. 2 not compat. w/Rev. 1
16.	800-001C	GREASE ZERK STRAIGHT 1/4-28		Rev. 1
17.	312-458D	SUPPORT - WING BOX GUARD		
18.	312-455D	GUARD WING BOX		
19.	802-004C	HHCS 1/4-20X3/4 GR5		
20.	804-007C	WASHER FLAT 1/4 SAE PLT		
21.	803-006C	NUT HEX 1/4-20 PLT		
22.	312-239D	PIVOT LINK - WING FLOAT		
23.	805-145C	PIN CLEVIS 1 X 1 61/64 USABLE	(Must Be Ordered With 805-104C)	Rev. 2 not compat. w/Rev. 1
23.	802-181C	HHCS 1-8X3 GR5 FTHD	(RPBY 805-145C)	Rev. 1
24.	805-104C	PIN COTTER 3/16 X 1 1/2 PLT	(Must Be Ordered With 805-145C)	Rev. 2 not compat. w/Rev. 1
24.	803-038C	NUT HEX 1-8 NYLON INSERT PLT	(RPBY 805-104C)	Rev. 1
25.	806-072C	U-BOLT 1/2-13 X 2 X 5 17/32		
26.	804-010C	WASHER FLAT 5/16 USS PLT		
27.	804-070C	FLAT WASHER 1 SPECIAL		

**Deck Left & Right Hand (S/N 77362 to 119280)**

Applies to RCF45180



14332

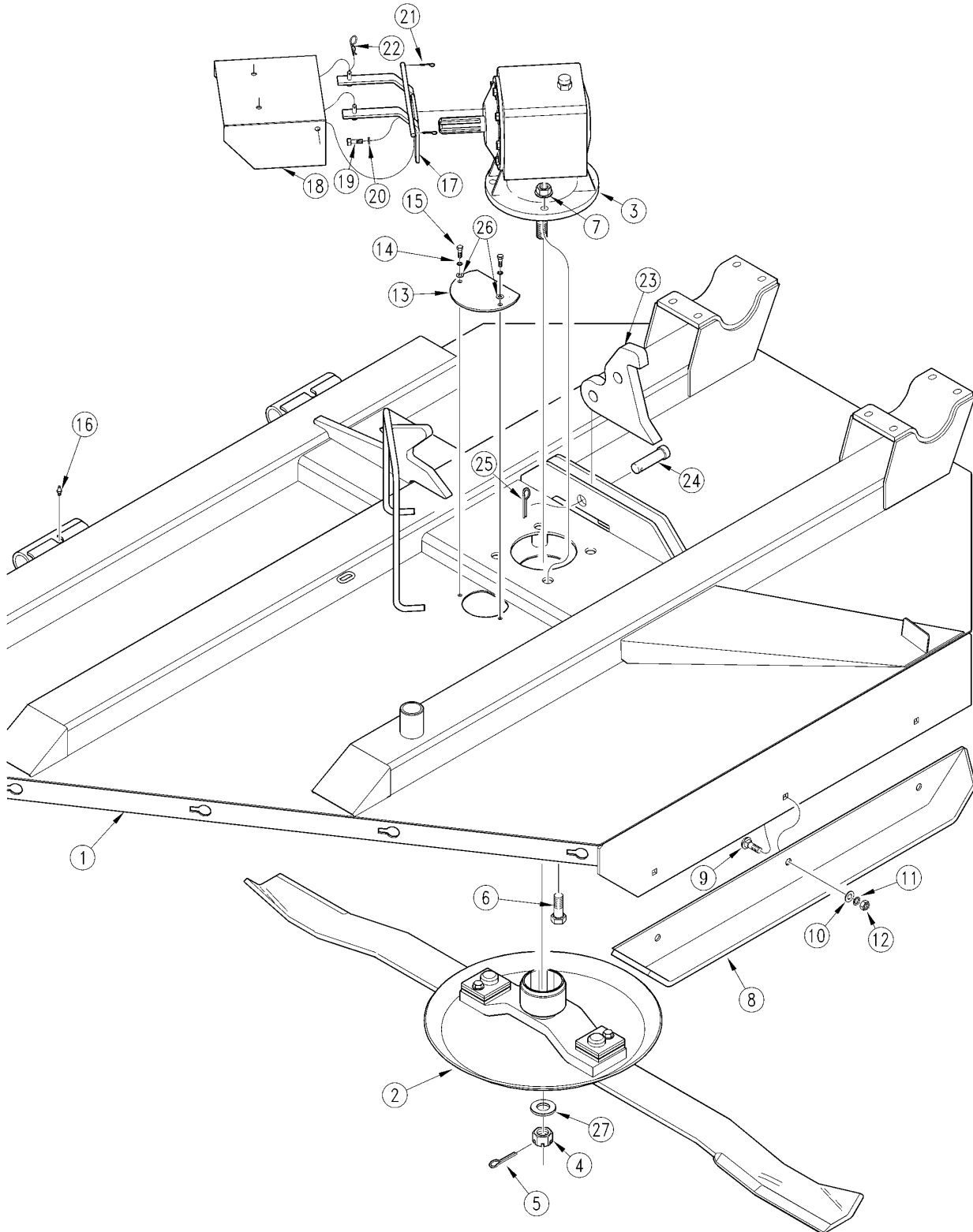


**Deck Left & Right Hand (S/N 77362 to 119280)****Applies to RCF45180**

Ref	Part No.	Part Description	Comments	Revision
	dwg14332	Drawing Image Number		
1.	312-206H	LEFT WING DECK WELDMENT		
1.	312-207H	RIGHT WING DECK WELDMENT		
2.	312-233S	LH DECK BLADE CARRIER ASSY		
2.	312-235S	RH DECK BLADE CARRIER ASSY		
3.	826-376C	GBOX RC25 1.38-6 1:1.47 STD	LH Deck 540 RPM Service Only	
3.	826-035C	RPBY 826-376C	LH Deck 540 RPM Service Only	
3.	826-069C	RPBY 826-035C		
3.	826-241C	GBOX RC71 1-3/8"-6A 1:1.46 CCW	RH Deck 540 RPM Service Only	
3.	826-070C	RPBY 826-241C		
3.	826-038C	GEARBOX RC71SR 1:1.21 INCREASE	LH Deck 1000 RPM Service Only	
3.	826-073C	RPBY 826-038C		
3.	826-254C	GBOX RC71 REV. 1:1.21 1 3/8-6	RH Deck 1000 RPM Service Only	
3.	826-075C	RPBY 826-254C		
4.	803-095C	NUT HEX SLOTTED 1-14		
5.	805-017C	PIN COTTER 3/16 X 1 3/4 PLT		
6.	802-066C	HHCS 3/4-10X3 1/2 GR5		
7.	803-299C	NUT HEX FLG TOP LK 3/4-10 PLT		
8.	312-226H	WING SKID SHOE WELDMENT		
9.	802-214C	RHSNB 1/2-13X1 1/4 GR5		
10.	804-016C	WASHER FLAT 1/2 SAE PLT	(RPBY 803-169C; Only On Skid Shoe)	Use up stock
11.	804-015C	WASHER LOCK SPRING 1/2 PLT	(RPBY 803-169C; Only On Skid Shoe)	Use up stock
12.	803-169C	NUT HEX FLG. LOCK 1/2-13 PLT	(Rplcs 803-020C, 804-015C & 804-016C; Only On Skid Shoe)	Rev. 2
12.	803-020C	NUT HEX 1/2-13 PLT	(RPBY 803-169C; Only On Skid Shoe)	Rev 1; Use up stock
13.	312-459D	ACCESS COVER - BLADE BOLT		
14.	804-009C	WASHER LOCK SPRING 5/16 PLT		
15.	802-007C	HHCS 5/16-18X3/4 GR5		
16.	800-080C	ZERK GREASE 1/4-28 THD FORMING		
17.	312-334H	GEARBOX SHIELD SUPPORT WELDMT		
18.	312-540D	GEARBOX SHIELD		
19.	802-017C	HHCS 3/8-16X1 GR5		
20.	804-013C	WASHER LOCK SPRING 3/8 PLT		
21.	805-069C	PIN COTTER 3/16 X 1		
22.	805-010C	PIN HAIR COTTER .094		
23.	312-566D	PIVOT LINK - WING FLOAT	(S/N 108058+)	
23.	312-239D	PIVOT LINK - WING FLOAT	(S/N 108057-)	
24.	805-145C	PIN CLEVIS 1 X 1 61/64 USABLE	(Must Be Ordered With 805-104C)	Rev. 2 not compat. w/Rev. 1
24.	802-181C	HHCS 1-8X3 GR5 FTHD	(RP By 805-145C)	Rev. 1
25.	805-104C	PIN COTTER 3/16 X 1 1/2 PLT	(Must Be Ordered With 805-145C)	Rev. 2 not compat. w/Rev. 1
25.	803-038C	NUT HEX 1-8 NYLON INSERT PLT	(RP By 805-104C)	Rev. 1
26.	806-072C	U-BOLT 1/2-13 X 2 X 5 17/32		
27.	804-010C	WASHER FLAT 5/16 USS PLT		
28.	804-070C	FLAT WASHER 1 SPECIAL		

**Deck Left & Right Hand (S/N 119281 to 160142)**

Applies to RCF45180



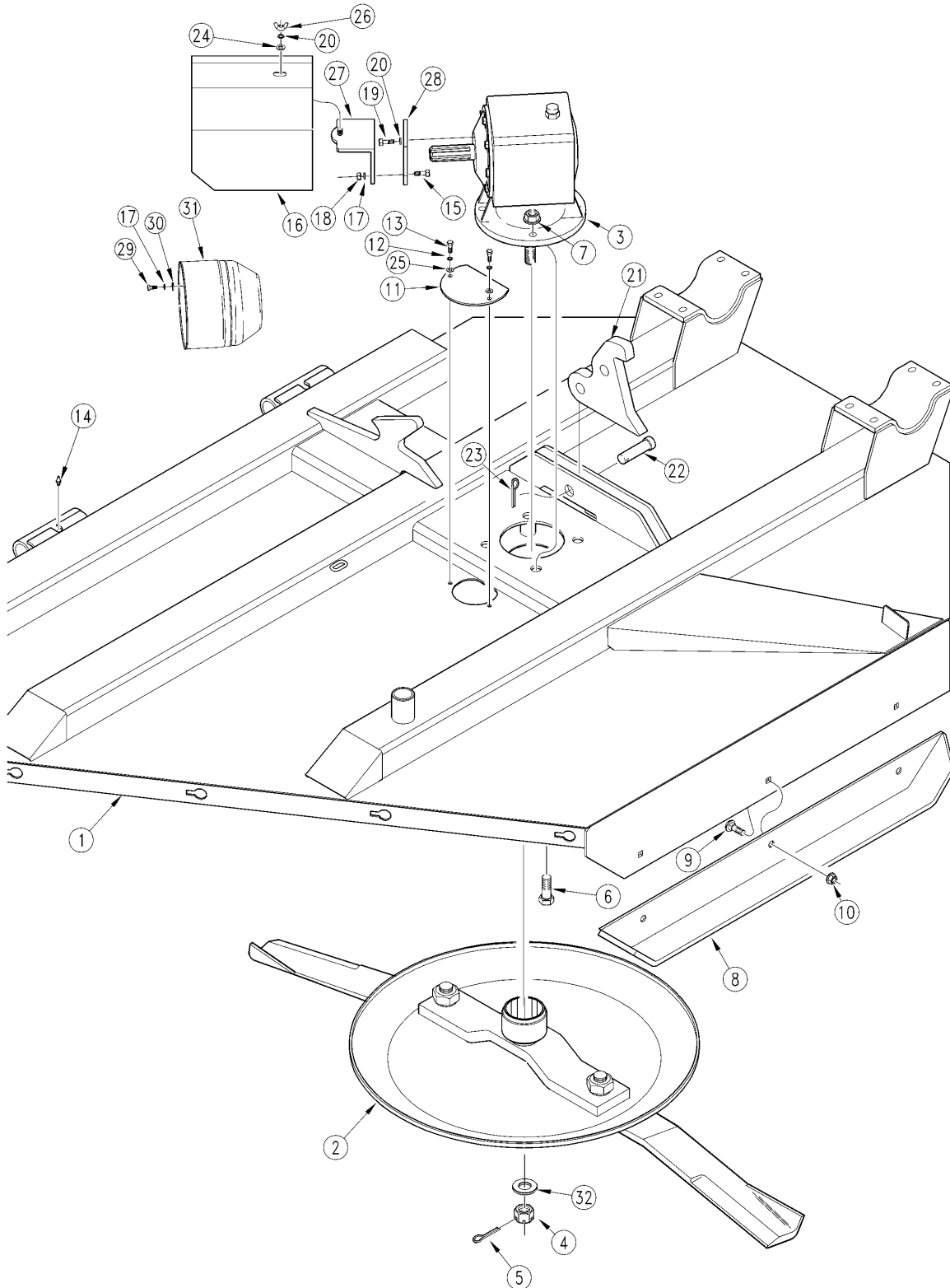
11030

**Deck Left & Right Hand (S/N 119281 to 160142)****Applies to RCF45180**

Ref	Part No.	Part Description	Comments	Revision
	dwg11030	Drawing Image Number		
1.	312-206H	LEFT WING DECK WELDMENT		
1.	312-207H	RIGHT WING DECK WELDMENT		
2.	312-233S	LH DECK BLADE CARRIER ASSY		
2.	312-235S	RH DECK BLADE CARRIER ASSY		
3.	826-376C	GBOX RC25 1.38-6 1:1.47 STD	LH Deck 540 RPM Service Only	
3.	826-035C	RPBY 826-376C	LH Deck 540 RPM Service Only	
3.	826-069C	RPBY 826-035C		
3.	826-241C	GBOX RC71 1-3/8"-6A 1:1.46 CCW	RH Deck 540 RPM Service Only	
3.	826-070C	RPBY 826-241C		
3.	826-038C	GEARBOX RC71SR 1:1.21 INCREASE	LH Deck 1000 RPM Service Only	
3.	826-073C	RPBY 826-038C		
3.	826-254C	GBOX RC71 REV. 1:1.21 1 3/8-6	RH Deck 1000 RPM Service Only	
3.	826-075C	RPBY 826-254C		
4.	803-095C	NUT HEX SLOTTED 1-14		
5.	805-017C	PIN COTTER 3/16 X 1 3/4 PLT		
6.	802-066C	HHCS 3/4-10X3 1/2 GR5		
7.	803-299C	NUT HEX FLG TOP LK 3/4-10 PLT		
8.	312-226H	WING SKID SHOE WELDMENT		
9.	802-214C	RHSNB 1/2-13X1 1/4 GR5		
10.	804-016C	WASHER FLAT 1/2 SAE PLT	(RPBY 803-169C)	Rev 1; Use up stock
11.	804-015C	WASHER LOCK SPRING 1/2 PLT	(RPBY 803-169C)	Rev 1; Use up stock
12.	803-169C	NUT HEX FLG. LOCK 1/2-13 PLT	(Replaces 803-020C, 804-015C & 804-016C)	Rev. 2
12.	803-020C	NUT HEX 1/2-13 PLT	(RPBY 803-169C)	Rev 1; Use up stock
13.	312-459D	ACCESS COVER - BLADE BOLT		
14.	804-009C	WASHER LOCK SPRING 5/16 PLT		
15.	802-007C	HHCS 5/16-18X3/4 GR5		
16.	800-080C	ZERK GREASE 1/4-28 THD FORMING		
17.	312-334H	GEARBOX SHIELD SUPPORT WELDMT		
18.	312-540D	GEARBOX SHIELD		
19.	802-017C	HHCS 3/8-16X1 GR5		
20.	804-013C	WASHER LOCK SPRING 3/8 PLT		
21.	805-067C	PIN COTTER 1/8 X 3/4		
22.	805-010C	PIN HAIR COTTER .094		
23.	312-566D	PIVOT LINK - WING FLOAT		
24.	805-145C	PIN CLEVIS 1 X 1 61/64 USABLE		
25.	805-104C	PIN COTTER 3/16 X 1 1/2 PLT		
26.	804-010C	WASHER FLAT 5/16 USS PLT		
27.	804-070C	FLAT WASHER 1 SPECIAL		

**Deck Left & Right Hand (S/N 160143+)**

Applies to RCF45180



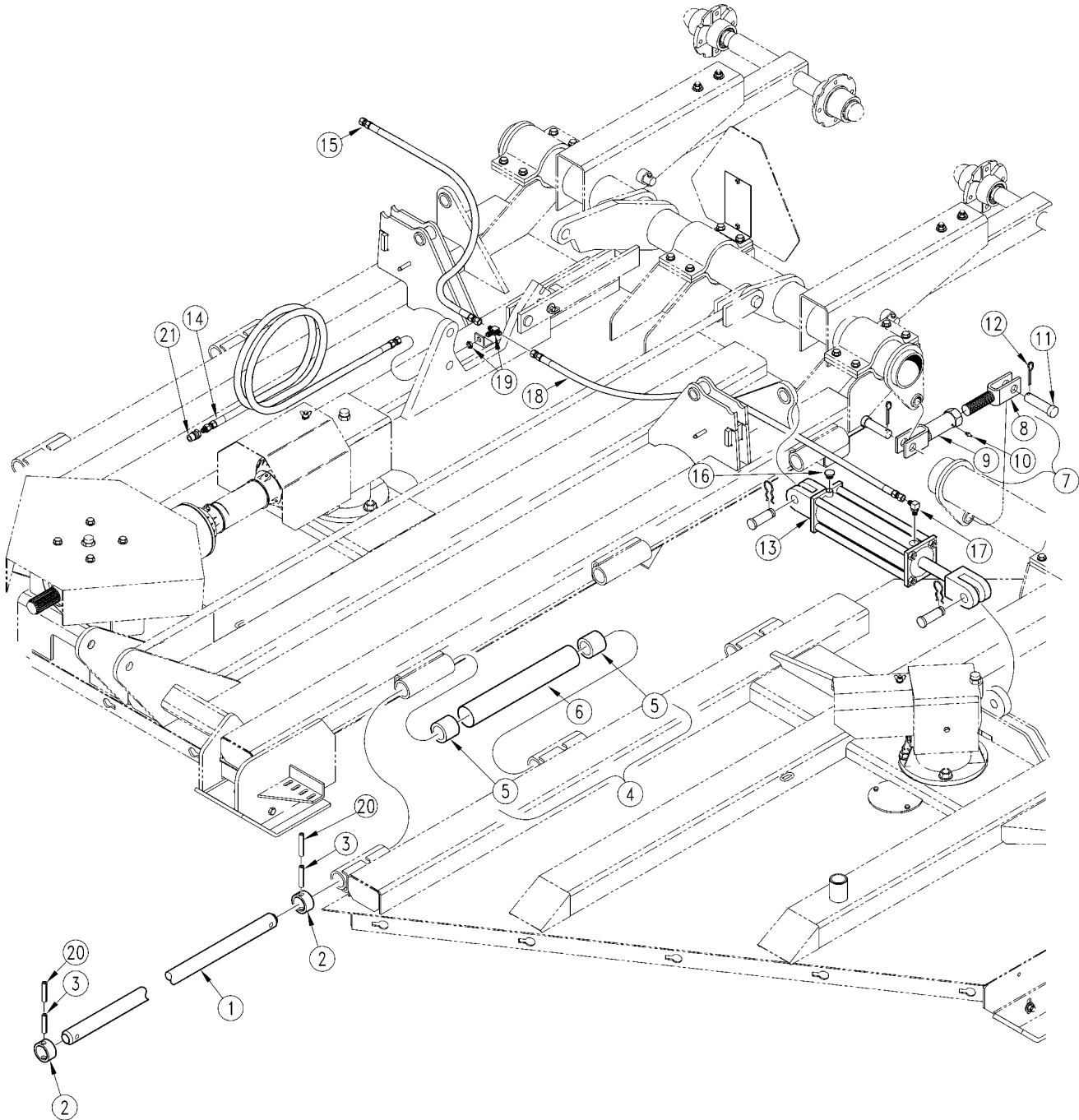
14089

**Deck Left & Right Hand (S/N 160143+)****Applies to RCF45180**

Ref	Part No.	Part Description	Comments	Revision
	dwg14089	Drawing Image Number		
1.	312-206H	LEFT WING DECK WELDMENT		
1.	312-207H	RIGHT WING DECK WELDMENT		
2.	312-451S	LH DECK BLADE CARRIER ASSY		
2.	312-453S	RH DECK BLADE CARRIER ASSY		
3.	826-376C	GBOX RC25 1.38-6 1:1.47 STD	LH Deck 540 RPM Service Only	
3.	826-035C	RPBY 826-376C	LH Deck 540 RPM Service Only	
3.	826-069C	RPBY 826-035C		
3.	826-241C	GBOX RC71 1-3/8"-6A 1:1.46 CCW	RH Deck 540 RPM Service Only	
3.	826-070C	RPBY 826-241C		
3.	826-038C	GEARBOX RC71SR 1:1.21 INCREASE	LH Deck 1000 RPM Service Only	
3.	826-073C	RPBY 826-038C		
3.	826-254C	GBOX RC71 REV. 1:1.21 1 3/8-6	RH Deck 1000 RPM Service Only	
3.	826-075C	RPBY 826-254C		
4.	803-095C	NUT HEX SLOTTED 1-14		
5.	805-017C	PIN COTTER 3/16 X 1 3/4 PLT		
6.	802-066C	HHCS 3/4-10X3 1/2 GR5		
7.	803-299C	NUT HEX FLG TOP LK 3/4-10 PLT		
8.	312-446H	SKID SHOE REVERSIBLE WELDMENT		
9.	802-214C	RHSNB 1/2-13X1 1/4 GR5		
10.	803-169C	NUT HEX FLG. LOCK 1/2-13 PLT.		
11.	312-459D	ACCESS COVER - BLADE BOLT		
12.	804-009C	WASHER LOCK SPRING 5/16 PLT		
13.	802-007C	HHCS 5/16-18X3/4 GR5		
14.	800-080C	ZERK GREASE 1/4-28 THD FORMING		
15.	802-159C	HHCS 5/16-18X1 GR5		
16.	312-399H	SHIELD WELDMENT		
17.	804-009C	WASHER LOCK SPRING 5/16 PLT		
18.	803-008C	NUT HEX 5/16-18 PLT		
19.	802-017C	HHCS 3/8-16X1 GR5		
20.	804-013C	WASHER LOCK SPRING 3/8 PLT		
21.	312-566D	PIVOT LINK - WING FLOAT		
22.	805-145C	PIN CLEVIS 1 X 1 61/64 USABLE		
23.	805-104C	PIN COTTER 3/16 X 1 1/2 PLT		
24.	804-012C	WASHER FLAT 3/8 SAE PLT		
25.	804-010C	WASHER FLAT 5/16 USS PLT		
26.	803-231C	NUT WING 3/8-16 PLT		
27.	312-400H	SHIELD MOUNT BRACKET WELDMENT		
28.	312-633D	GEARBOX SHIELD MOUNT BRACKET		
29.	802-007C	HHCS 5/16-18X3/4 GR5	Replacement shields on OMNI Gearboxes only	
30.	804-010C	WASHER FLAT 5/16 USS PLT	Replacement shields on OMNI Gearboxes only	
31.	826-222C	LARGE SHAFT CONE W ACCESS DOOR	Replacement shields on OMNI Gearboxes only	
32.	804-070C	FLAT WASHER 1 SPECIAL		

# Deck Lift

Applies to RCF45180



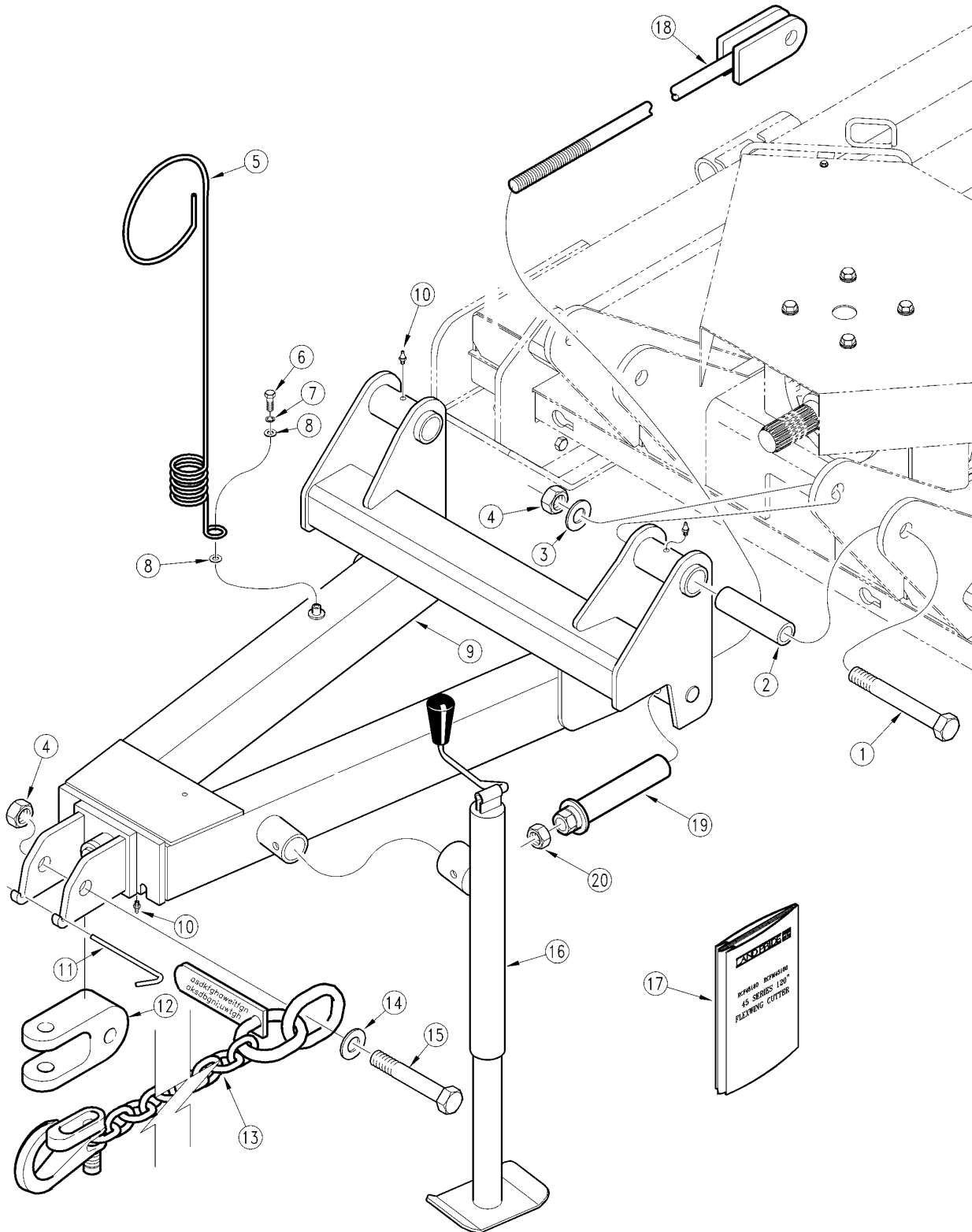
14088

**Deck Lift****Applies to RCF45180**

<b>Ref</b>	<b>Part No.</b>	<b>Part Description</b>	<b>Comments</b>	<b>Revision</b>
	dwg14088	Drawing Image Number		
1.	312-447D	HINGE MAIN TUBE		
2.	312-446D	HINGE LOCK COLLAR		
3.	805-164C	PIN ROLL 1/2 X 2 1/2 LG PLT		
4.	312-225V	HINGE COVER TUBE ASSY		
5.	816-124C	HINGE COVER TUBE DONUT		
6.	312-432D	HINGE COVER TUBE		
7.	312-278S	AXLE LINK ASSY		
8.	312-224H	AXLE LINK CLEVIS WELDMENT		
9.	312-223H	AXLE LINK BODY		
10.	800-080C	ZERK GREASE 1/4-28 THD FORMING		Rev. 2 not compat. w/Rev. 1
10.	800-001C	GREASE ZERK STRAIGHT 1/4-28		Rev. 1
11.	805-137C	PIN CLEVIS 1 X 2 PLT		
12.	805-104C	PIN COTTER 3/16 X 1 1/2 PLT		
13.	810-150C	CYL 2.5X12X1.25 ROD (TIE ROD)		
14.	811-361C	HH1/4R1 186 3/4MORB 9/16FJIC		
15.	811-056C	HH1/4R2 045 9/16FJIC		
16.	800-117C	VENT PLUG - 9/16-18 PLATED		
17.	811-062C	OREL 1/32 9/16MJIC 9/16MORB		
18.	811-180C	HH1/4R1 057 9/16FJIC		
19.	811-356C	TE 9/16MJIC BH 9/16MJIC 9/16MJ		
20.	805-125C	PIN ROLL 5/16 X 2 1/2 PLT		
21.	811-394C	CP 3/4FORB MALE QD	(S/N 134720+)	

**Hitch (S/N 74020-)**

Applies to RCF45180



14304

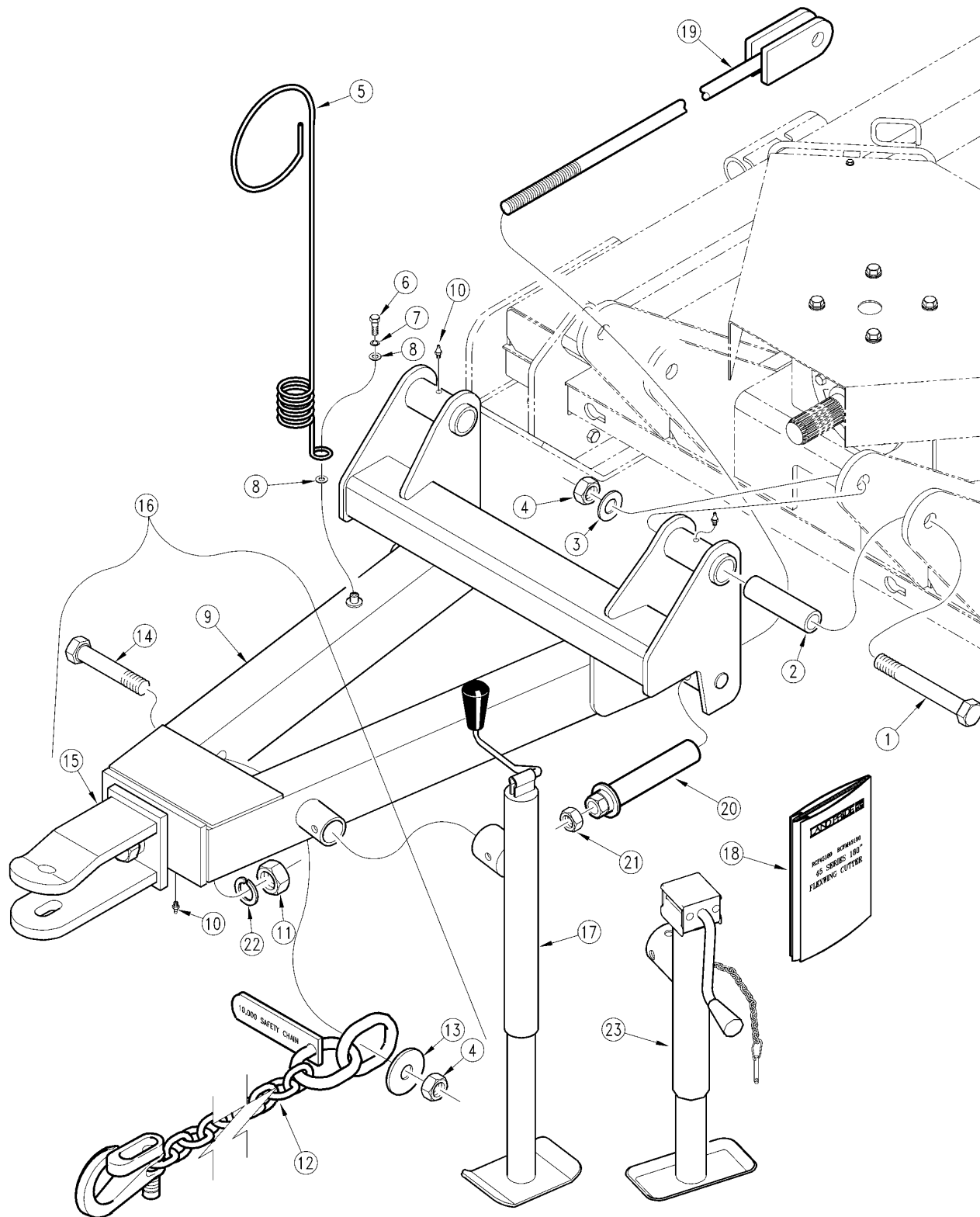


**Hitch (S/N 74020-)****Applies to RCF45180**

<b>Ref</b>	<b>Part No.</b>	<b>Part Description</b>	<b>Comments</b>	<b>Revision</b>
	dwg14304	Drawing Image Number		
1.	802-076C	HHCS 1-8X8 GR5		
2.	312-457D	MAIN HITCH REAR MOUNT BUSHING		
3.	804-029C	WASHER FLAT 1 SAE PLT		
4.	803-038C	NUT HEX 1-8 NYLON INSERT PLT		
5.	807-023C	SPRING HOSE LOOP		
6.	802-014C	HHCS 3/8-16X3/4 GR5		
7.	804-013C	WASHER LOCK SPRING 3/8 PLT		
8.	804-012C	WASHER FLAT 3/8 SAE PLT		
9.	312-195H	MAIN HITCH ASSY WELDMENT		
10.	800-080C	ZERK GREASE 1/4-28 THD FORMING		Rev. 2 not compat. w/Rev. 1
10.	800-001C	GREASE ZERK STRAIGHT 1/4-28		Rev. 1
11.	312-210D	CLEVIS SUPPORT PIN		
12.	312-155H	HITCH CLEVIS		Rev. 2
12.	812-129C	RPBY 312-155H		Rev 1; Use up stock
13.	890-182C	SAFETY CHAIN 10000 LB		
14.	804-028C	WASHER FLAT 1 USS PLT		
15.	802-074C	HHCS 1-8X6 1/2 GR5		Rev. 2
15.	802-205C	HHCS 1-8X5 1/2 GR5	(RPBY 802-074C)	Rev 1; Use up stock
16.	890-196C	SCREWJACK 5000 LB		
17.	312-302M	MANUAL 45 ROTARY CUTTER 180"		
18.	312-222H	LEVELING ROD WELDMENT		
19.	312-221H	LEVELING TUBE WELDMENT		
20.	803-049C	NUT HEX 7/8-9 PLT		

**Hitch (S/N 74021 to 116033)**

**Applies to RCF45180**



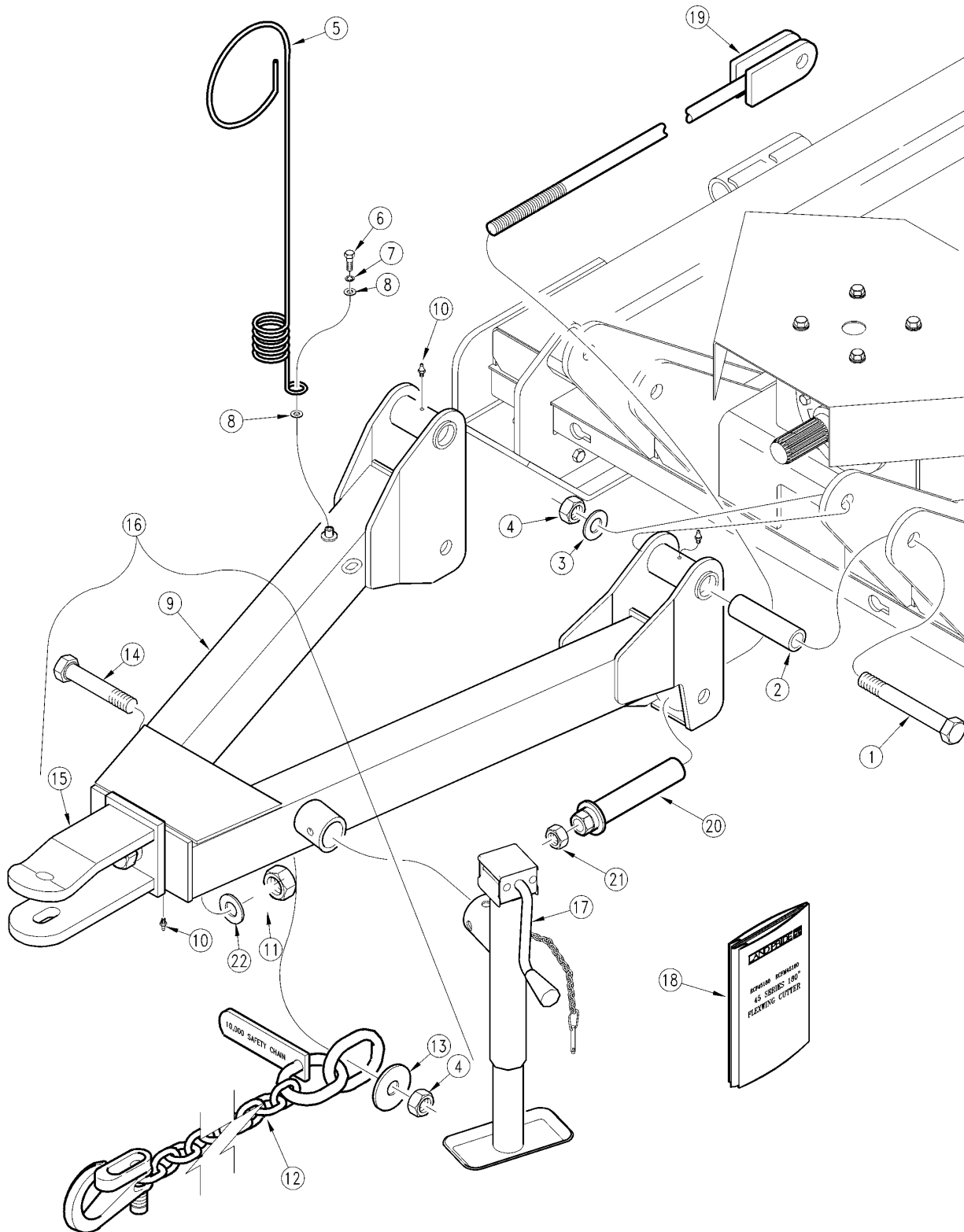
13163

**Hitch (S/N 74021 to 116033)****Applies to RCF45180**

Ref	Part No.	Part Description	Comments	Revision
	dwg13163	Drawing Image Number		
1.	802-076C	HHCS 1-8X8 GR5		
2.	312-457D	MAIN HITCH REAR MOUNT BUSHING		
3.	804-029C	WASHER FLAT 1 SAE PLT		
4.	803-038C	NUT HEX 1-8 NYLON INSERT PLT		
5.	807-023C	SPRING HOSE LOOP		
6.	802-014C	HHCS 3/8-16X3/4 GR5		
7.	804-013C	WASHER LOCK SPRING 3/8 PLT		
8.	804-012C	WASHER FLAT 3/8 SAE PLT		
9.	312-194E	MAIN HITCH SUB-WELDMENT		
10.	800-080C	ZERK GREASE 1/4-28 THD FORMING		
11.	803-081C	NUT HEX LOCK 1 1/4-7		
12.	890-182C	SAFETY CHAIN 10000 LB		
13.	804-028C	WASHER FLAT 1 USS PLT		
14.	802-235C	HHCS 1-8X5 GR5		
15.	312-332H	CLEVIS SWIVEL WELDMENT		
16.	312-281S	HITCH ASSY		
17.	890-196C	SCREWJACK 5000 LB	(S/N 83280 -)	
18.	312-302M	MANUAL 45 ROTARY CUTTER 180"		
19.	312-222H	LEVELING ROD WELDMENT		
20.	312-221H	LEVELING TUBE WELDMENT		
21.	803-049C	NUT HEX 7/8-9 PLT		
22.	804-039C	WASHER FLAT 1 1/4 SAE PLT		
23.	890-246C	SCREW JACK 5000# 15"-30"	(S/N 83281+)	

**Hitch (S/N 116034+)**

Applies to RCF45180



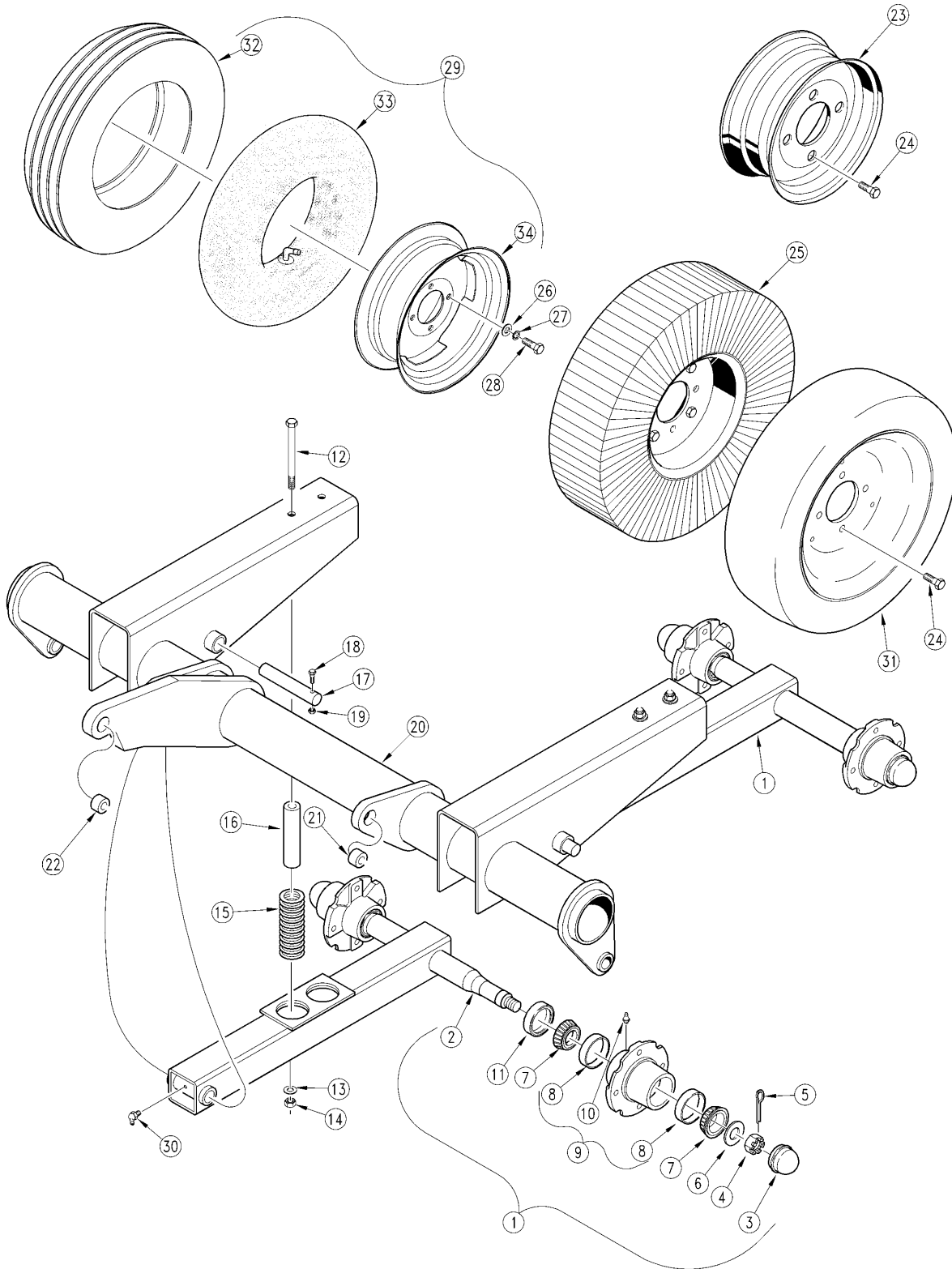
11033

**Hitch (S/N 116034+)****Applies to RCF45180**

<b>Ref</b>	<b>Part No.</b>	<b>Part Description</b>	<b>Comments</b>	<b>Revision</b>
	dwg11033	Drawing Image Number		
1.	802-076C	HHCS 1-8X8 GR5		
2.	312-457D	MAIN HITCH REAR MOUNT BUSHING		
3.	804-029C	WASHER FLAT 1 SAE PLT		
4.	803-038C	NUT HEX 1-8 NYLON INSERT PLT		
5.	807-023C	SPRING HOSE LOOP		
6.	802-014C	HHCS 3/8-16X3/4 GR5		
7.	804-013C	WASHER LOCK SPRING 3/8 PLT		
8.	804-012C	WASHER FLAT 3/8 SAE PLT		
9.	312-194E	MAIN HITCH SUB-WELDMENT		
10.	800-080C	ZERK GREASE 1/4-28 THD FORMING		
11.	803-081C	NUT HEX LOCK 1 1/4-7		
12.	890-182C	SAFETY CHAIN 10000 LB		
13.	804-028C	WASHER FLAT 1 USS PLT		
14.	802-235C	HHCS 1-8X5 GR5		
15.	312-332H	CLEVIS SWIVEL WELDMENT		
16.	312-281S	HITCH ASSY		
17.	890-246C	SCREW JACK 5000# 15"-30"		
18.	312-302M	MANUAL 45 ROTARY CUTTER 180"		
19.	312-222H	LEVELING ROD WELDMENT		
20.	312-221H	LEVELING TUBE WELDMENT		
21.	803-049C	NUT HEX 7/8-9 PLT		
22.	804-039C	WASHER FLAT 1 1/4 SAE PLT		

# Axle Center

Applies to RCF45180



13189

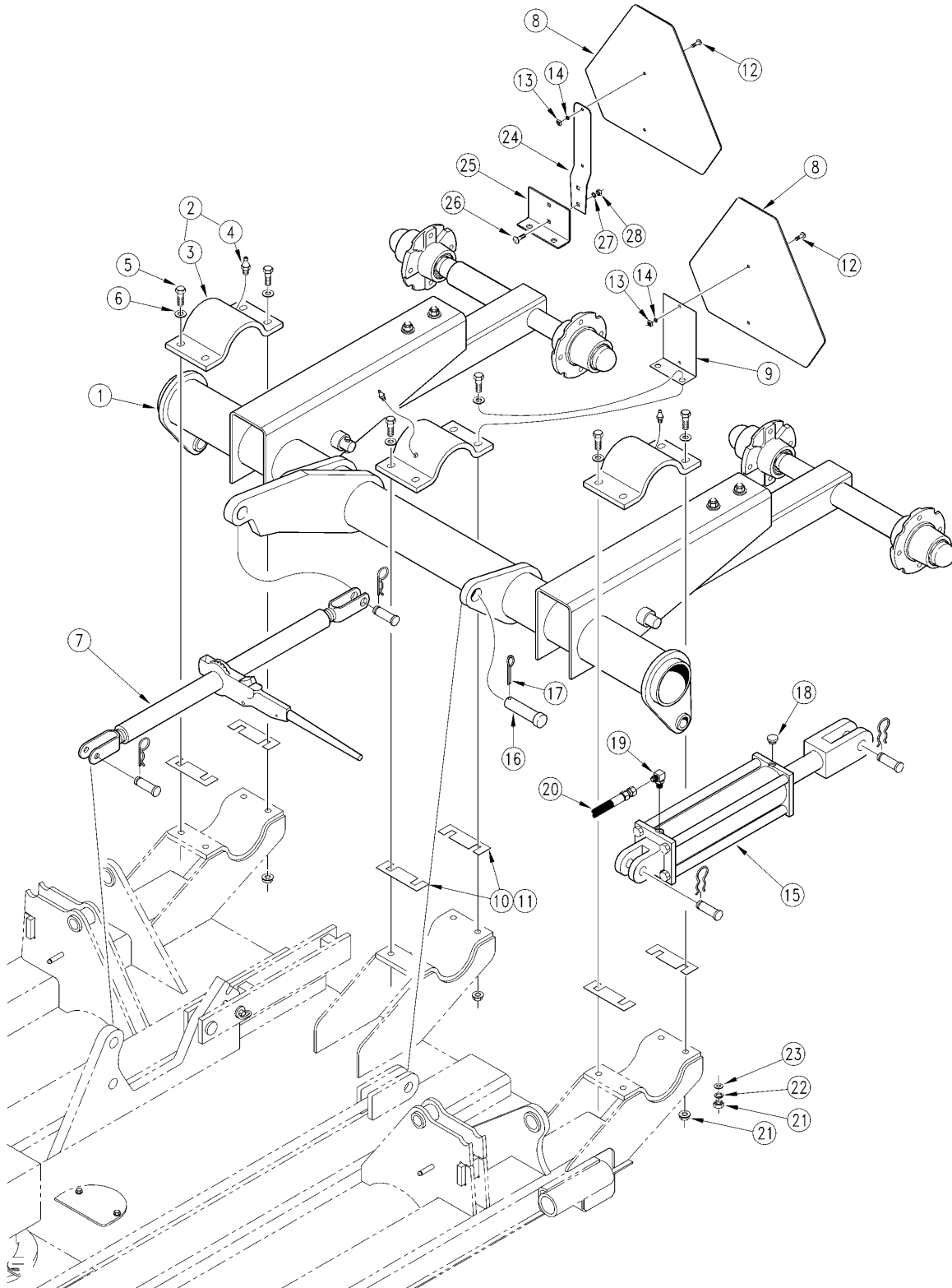
## Axle Center

### Applies to RCF45180

Ref	Part No.	Part Description	Comments	Revision
	dwg13189	Drawing Image Number		
1.	312-252V	CENT AXLE HUB & SPDLE ASSY RH		
1.	312-346V	CENT AXLE HUB & SPDLE ASSY LH	(S/N 79764+)	
2.	312-212H	DUAL AXLE TUBE WELDMENT RH		312-212H & 312-345H changed from a 3" tube to a 3 1/2" tube (S/N 113871+)
2.	312-345H	DUAL AXLE TUBE WELDMENT LH	(S/N 79764+)	312-212H & 312-345H changed from a 3" tube to a 3 1/2" tube (S/N 113871+)
3.	200-001D	HUB GREASE CAP		
4.	803-029C	NUT HEX SLOTTED 7/8-14 PLT		
5.	805-016C	PIN COTTER 3/16 X 1 1/4 PLT		
6.	804-055C	WASHER SPINDLE - 7/8		
7.	822-091C	BEARING CONE 15123		
8.	822-092C	BEARING CUP 15245		
9.	815-093C	HUB 4 BOLT WHL W/CUPS & ZERK		Rev. 2
9.	312-106D	4 BOLT HUB		Rev 1; Use up stock
10.	800-001C	GREASE ZERK STRAIGHT 1/4-28		
11.	816-098C	SEAL 1 3/8 ID X 2.441 OD X.313		
12.	802-269C	HHCS 1/2-13X9 GR5		Rev. 2
12.	802-154C	HHCS 1/2-13X8 1/2 GR5	(RPBY802-269C)	Rev 1; Use up stock
13.	804-016C	WASHER FLAT 1/2 SAE PLT		
14.	803-147C	NUT HEX NYLOCK 1/2-13		
15.	807-006C	SPRING COULTER 2 1/4X7 1/4		
16.	312-454D	AXLE SPRING GUIDE TUBE		
17.	312-212D	AXLE MOUNT PIN		
18.	802-379C	HHCS 7/16-14X2 GR8	(S/N 81432+)	Rev. 2 not compat. w/Rev. 1
18.	802-115C	HHCS 5/16-18X2 GR5	(S/N 81431-)	Rev. 1
19.	803-200C	NUT HEX LOCK 7/16-14 PLT	(S/N 81432+)	Rev. 2 not compat. w/Rev. 1
19.	803-011C	NUT LOCK 5/16-18 PLT	(S/N 81431-)	Rev. 1
20.	312-210H	CENTER AXLE WELDMENT		
21.	890-143C	BUSHING HARDENED 1 1/4-1-3/4 L		
22.	890-005C	BUSHING CYL 1 1/4 X 1 X 1		
23.	814-066C	WHEEL 15 X 5 X 4 BOLT		
24.	802-104C	BOLT WHEEL 1/2-20X1 90-DEG		
25.	814-059C	TIRE & WHEEL LAMINATED 6.0 X 9		
26.	804-016C	WASHER FLAT 1/2 SAE PLT		
27.	804-015C	WASHER LOCK SPRING 1/2 PLT		
28.	802-240C	HHCS 1/2-20X1 GR5		
29.	814-086C	TIRE 25.5 X 8.0-14 - MOUNTED		
30.	800-136C	ZERK 1/4-28 X 45 DEG SELF-TAP		Rev. 2 not compat. w/Rev. 1
30.	800-058C	ZERK GREASE 1/4-28 X 45 DEGREE		Rev. 1
31.	814-119C	21" SOLID CORE TIRE ASSY 6X9		
32.	814-087C	TIRE 25.5 X 8.0-14 (814-086C)		
33.	814-088C	TUBE FOR 25.5X8.0-14(814-086C)		
34.	814-089C	RIM 2PC.4BLT 14X6BLACK814-086C		

# Axle to Center Deck

Applies to RCF45180



14090



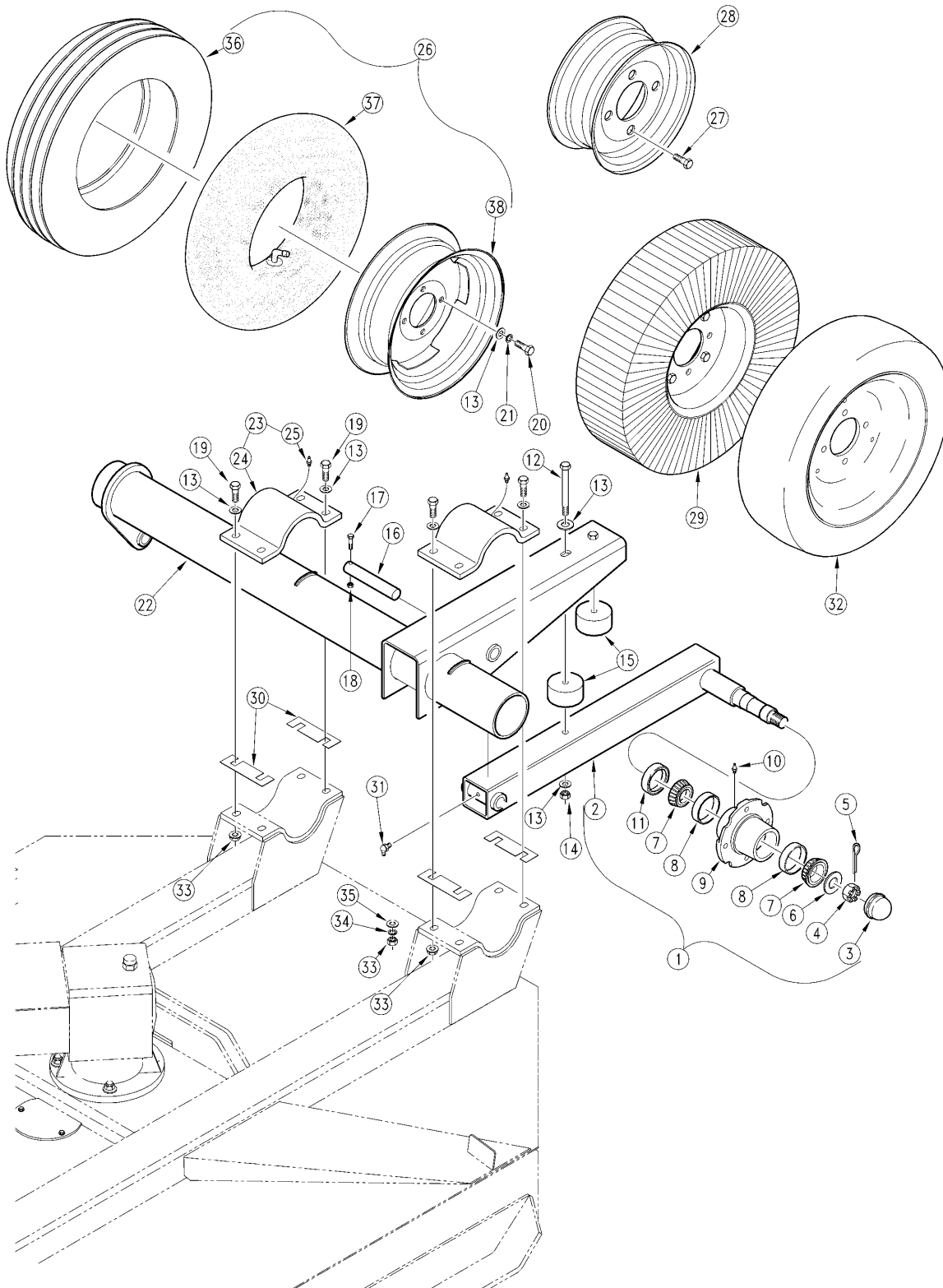
## Axle to Center Deck

### Applies to RCF45180

Ref	Part No.	Part Description	Comments	Revision
	dwg14090	Drawing Image Number		
1.	312-210H	CENTER AXLE WELDMENT		
2.	312-277S	TOP HALF BRG BAND CAP ASSY		
3.	312-445D	TOP HALF BRG BAND CAP		
4.	800-080C	ZERK GREASE 1/4-28 THD FORMING		Rev. 2 not compat. w/Rev. 1
4.	800-001C	GREASE ZERK STRAIGHT 1/4-28		Rev. 1
5.	802-128C	HHCS 1/2-13X2 GR5		
6.	804-016C	WASHER FLAT 1/2 SAE PLT		
7.	890-177C	RATCHET JACK - HEAVY DUT		
8.	818-055C	DECAL SLOW MOVING-GALV. BACKED		
9.	312-587D	SMV BRACKET (S/N 124691+)		
10.	312-139D	ROCKSHAFT BEARING SHIM 20 GA		
11.	312-547D	ROCKSHAFT BEARING SHIM 12GA		
12.	801-018C	SCREW RD HD 1/4-20 X 5/8		
13.	803-005C	NUT SQ 1/4-20 PLT		
14.	804-006C	WASHER LOCK SPRING 1/4 PLT		
15.	810-162C	CYL 3.5X8X1.25 ROD (TIE ROD)		
16.	805-145C	PIN CLEVIS 1 X 1 61/64 USABLE		
17.	805-104C	PIN COTTER 3/16 X 1 1/2 PLT		
18.	800-094C	FILL PLUG VENTED 3/4-16 PLT		
19.	811-063C	EL 3/4MJIC 3/4MORB		
20.	811-353C	HH3/8R1 176 3/4MORB 3/4FJIC		
21.	803-169C	NUT HEX FLG. LOCK 1/2-13 PLT	(Rplcs 803-020C, 804-015C & 804-016C)	Rev. 2
21.	803-020C	NUT HEX 1/2-13 PLT	(RPBY 803-169C)	Rev 1; Use up stock
22.	804-015C	WASHER LOCK SPRING 1/2 PLT	(RPBY 803-169C)	Rev 1; Use up stock
23.	804-016C	WASHER FLAT 1/2 SAE PLT	(RPBY 803-169C)	Rev 1; Use up stock
24.	890-153C	SMV MOUNTING BLADE	(RPBY 312-587D) (S/N 124690-)	
25.	312-456D	SMV BASE WING MOUNT PLATE	(RPBY 312-587D) (S/N 124690-)	
26.	802-092C	RHSNB 5/16-18X3/4 GR5	(S/N 124690-)	
27.	804-009C	WASHER LOCK SPRING 5/16 PLT	(S/N 124690-)	
28.	803-008C	NUT HEX 5/16-18 PLT	(S/N 124690-)	

# Axle Wing

Applies to RCF45180



13171

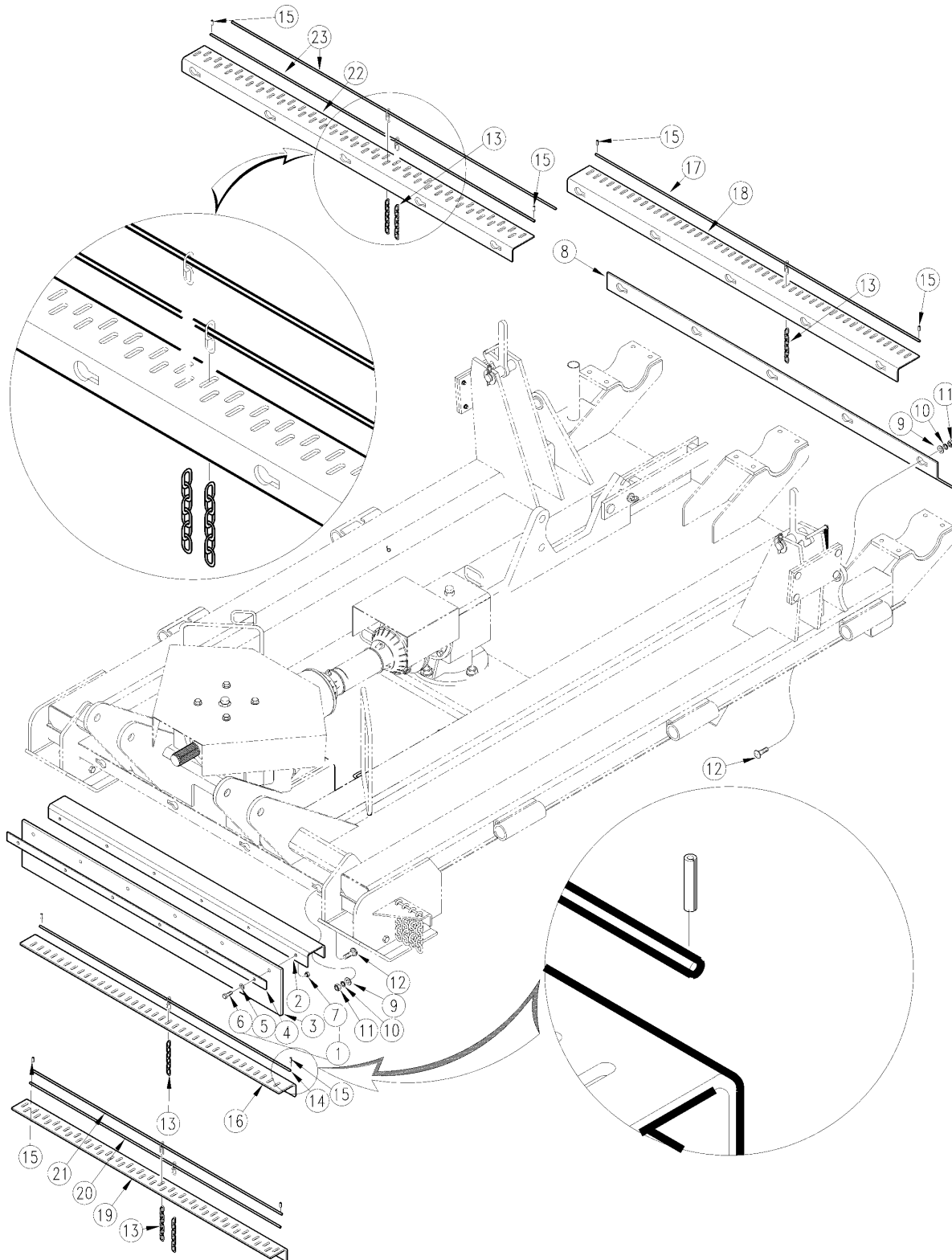
## Axle Wing

### Applies to RCF45180

Ref	Part No.	Part Description	Comments	Revision
	dwg13171	Drawing Image Number		
1.	312-253V	WING AXLE HUB & SPINDLE ASSY		
2.	312-216H	WING AXLE TUBE WELDMENT		
3.	200-001D	HUB GREASE CAP		
4.	803-029C	NUT HEX SLOTTED 7/8-14 PLT		
5.	805-016C	PIN COTTER 3/16 X 1 1/4 PLT		
6.	804-055C	WASHER SPINDLE - 7/8		
7.	822-091C	BEARING CONE 15123		
8.	822-092C	BEARING CUP 15245		
9.	312-106D	4 BOLT HUB		
10.	800-001C	GREASE ZERK STRAIGHT 1/4-28		
11.	816-098C	SEAL 1 3/8 ID X 2.441 OD X.313		
12.	802-047C	HHCS 1/2-13X6 GR5		
13.	804-016C	WASHER FLAT 1/2 SAE PLT		
14.	803-147C	NUT HEX NYLOCK 1/2-13		
15.	312-313D	RUBBER BUMPER		
16.	312-212D	AXLE MOUNT PIN		
17.	802-379C	HHCS 7/16-14X2 GR8	(S/N 81432+)	Rev. 2 not compat. w/Rev. 1
17.	802-115C	HHCS 5/16-18X2 GR5	(S/N 81431-)	Rev. 1
18.	803-200C	NUT HEX LOCK 7/16-14 PLT	(S/N 81432+)	Rev. 2 not compat. w/Rev. 1
18.	803-011C	NUT LOCK 5/16-18 PLT	(S/N 81431-)	Rev. 1
19.	802-128C	HHCS 1/2-13X2 GR5		
20.	802-240C	HHCS 1/2-20X1 GR5		
21.	804-015C	WASHER LOCK SPRING 1/2 PLT		
22.	312-213H	WING AXLE WELDMENT LH		
22.	312-214H	WING AXLE WELDMENT RH		
23.	312-277S	TOP HALF BRG BAND CAP ASSY		
24.	312-445D	TOP HALF BRG BAND CAP		
25.	800-080C	ZERK GREASE 1/4-28 THD FORMING		Rev. 2 not compat. w/Rev. 1
25.	800-001C	GREASE ZERK STRAIGHT 1/4-28		Rev. 1
26.	814-086C	TIRE 25.5 X 8.0-14 - MOUNTED		
27.	802-104C	BOLT WHEEL 1/2-20X1 90-DEG		
28.	814-066C	WHEEL 15 X 5 X 4 BOLT		
29.	814-059C	TIRE & WHEEL LAMINATED 6.0 X 9		
30.	312-139D	ROCKSHAFT BEARING SHIM 20 GA		
30.	312-547D	ROCKSHAFT BEARING SHIM 12GA		
31.	800-136C	ZERK 1/4-28 X 45 DEG SELF-TAP		
32.	814-119C	21" SOLID CORE TIRE ASSY 6X9		
33.	803-169C	NUT HEX FLG. LOCK 1/2-13 PLT	(Rplcs 803-020C, 804-015C & 804-016C)	Rev. 2
33.	803-020C	NUT HEX 1/2-13 PLT	(RPBY 803-169C)	Rev 1; Use up stock
34.	804-015C	WASHER LOCK SPRING 1/2 PLT	(RPBY 803-169C)	
35.	804-016C	WASHER FLAT 1/2 SAE PLT	(RPBY 803-169C)	
36.	814-087C	TIRE 25.5 X 8.0-14 (814-086C)		
37.	814-088C	TUBE FOR 25.5X8.0-14(814-086C)		
38.	814-089C	RIM 2PC.4BLT 14X6BLACK814-086C		

### Guards Center Deck (S/N 160278-)

Applies to RCF45180



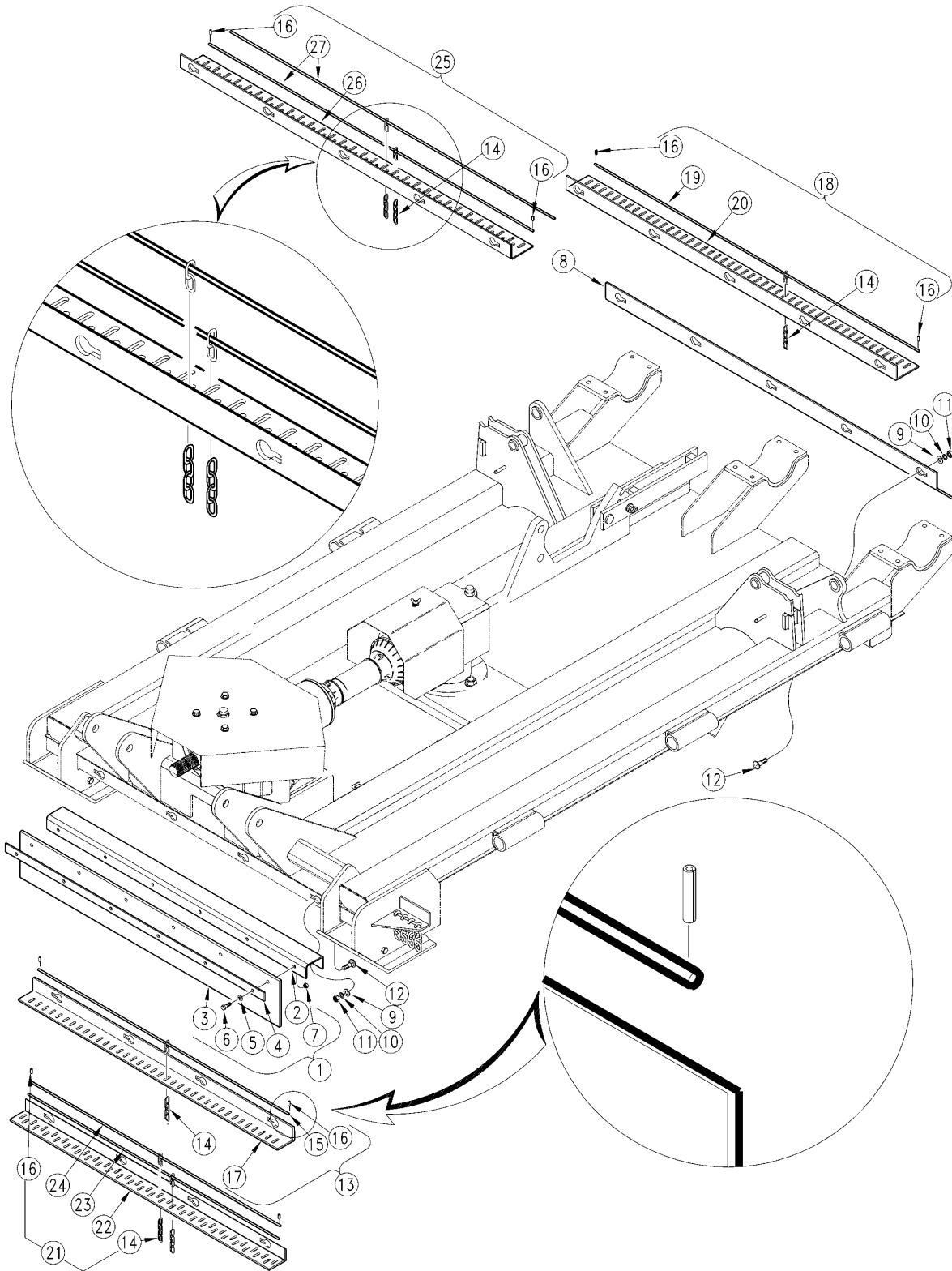
11589

**Guards Center Deck (S/N 160278-)****Applies to RCF45180**

Ref	Part No.	Part Description	Comments	Revision
	dwg11589	Drawing Image Number		
1.	312-258K	RUBBER GUARD ASSY - CTR DECK		
2.	312-444D	CRT DECK FRONT RBR GUARD CHANL		
3.	816-121C	CDECK RUBBER GUARD		
4.	312-071D	BACKUP STRIP-CTR RBR GUARD		
5.	804-012C	WASHER FLAT 3/8 SAE PLT		
6.	802-079C	HHCS 3/8-16X1 1/4 GR5		
7.	803-078C	NUT LOCK 3/8-16 NYLON INSERT		
8.	312-460D	SKIRT - CENTER DECK, REAR		
9.	804-016C	WASHER FLAT 1/2 SAE PLT		
10.	804-015C	WASHER LOCK SPRING 1/2 PLT		
11.	803-020C	NUT HEX 1/2-13 PLT		
12.	802-214C	RHSNB 1/2-13X1 1/4 GR5		
13.	890-175C	CHAIN 5/16 PROOF X 6 LINKS PLT		
14.	312-475D	CHAIN HANGER ROD CENTER FWD		
15.	805-136C	PIN ROLL 1/8 X 1 1/4 LG. PLT		Rev. 2
15.	805-063C	PIN COTTER 3/32 X 1		Rev 1; Use up stock
16.	312-466D	GUARD - CHAIN CTR DECK FRONT		
17.	312-481D	CHAIN HANGER ROD CENTER AFT		
18.	312-467D	GUARD - CHAIN CTR DECK REAR		
19.	312-512D	GUARD; DUBLCHAIN CTR DECK FRNT		
20.	312-522D	CHAIN HANGER ROD - 41 5/8 LONG		
21.	312-475D	CHAIN HANGER ROD CENTER FWD		
22.	312-513D	GUARD; DUBLCHAIN CTR DECK REAR		
23.	312-523D	CHAIN HANGER ROD - 56 3/8 LONG		

### Guards Center Deck (S/N 160279+)

Applies to RCF45180



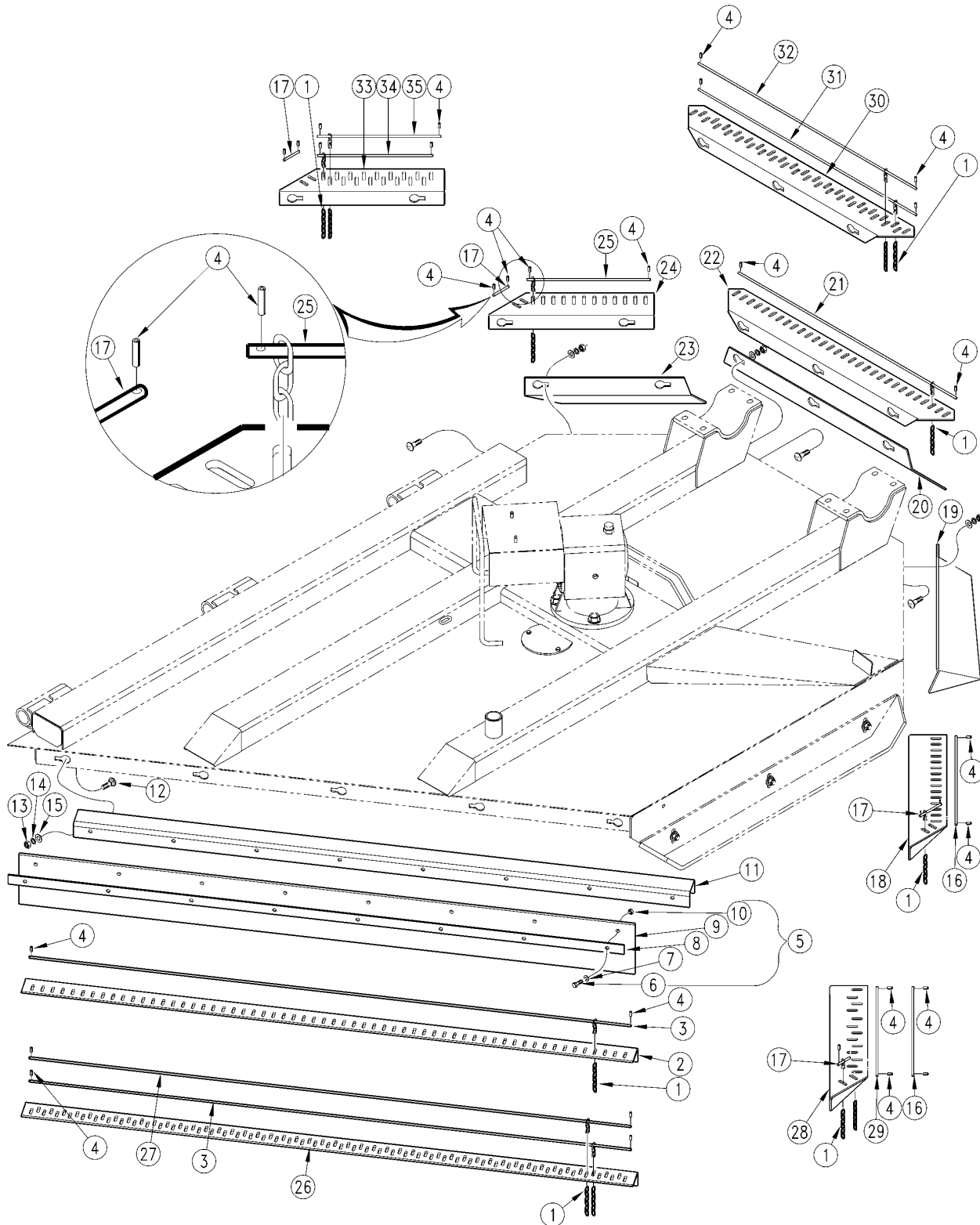
14092

**Guards Center Deck (S/N 160279+)****Applies to RCF45180**

<b>Ref</b>	<b>Part No.</b>	<b>Part Description</b>	<b>Comments</b>	<b>Revision</b>
	dwg14092	Drawing Image Number		
1.	312-258K	RUBBER GUARD ASSY - CTR DECK		
2.	312-444D	CRT DECK FRONT RBR GUARD CHANL		
3.	816-121C	CDECK RUBBER GUARD		
4.	312-071D	BACKUP STRIP-CTR RBR GUARD		
5.	804-012C	WASHER FLAT 3/8 SAE PLT		
6.	802-079C	HHCS 3/8-16X1 1/4 GR5		
7.	803-078C	NUT LOCK 3/8-16 NYLON INSERT		
8.	312-460D	SKIRT - CENTER DECK, REAR		
9.	804-016C	WASHER FLAT 1/2 SAE PLT		
10.	804-015C	WASHER LOCK SPRING 1/2 PLT		
11.	803-020C	NUT HEX 1/2-13 PLT		
12.	802-214C	RHSNB 1/2-13X1 1/4 GR5		
13.	312-261K	GUARD ASSY - CTR DECK FRONT		
14.	890-400C	CHAIN WELD 5/16 PROOF X 4 LINK		
15.	312-475D	CHAIN HANGER ROD CENTER FWD		
16.	805-136C	PIN ROLL 1/8 X 1 1/4 LG. PLT		
17.	312-742D	GUARD - CHAIN CTR DECK FRONT		
18.	312-264K	GUARD ASSY - CTR DECK REAR		
19.	312-481D	CHAIN HANGER ROD CENTER AFT		
20.	312-743D	GUARD - CHAIN CTR DECK REAR		
21.	312-323K	DUBL CHAIN GRD ASSY; CTR FRONT		
22.	312-751D	GUARD-DBL CHAIN CTR DECK FRONT		
23.	312-522D	CHAIN HANGER ROD - 41 5/8 LONG		
24.	312-475D	CHAIN HANGER ROD CENTER FWD		
25.	312-326K	DBL CHAIN GUARD; CTR REAR		
26.	312-513D	GUARD; DUBLCHAIN CTR DECK REAR		
27.	312-523D	CHAIN HANGER ROD - 56 3/8 LONG		

**Guards Wing Deck (S/N 160278-)**

Applies to RCF45180



11084

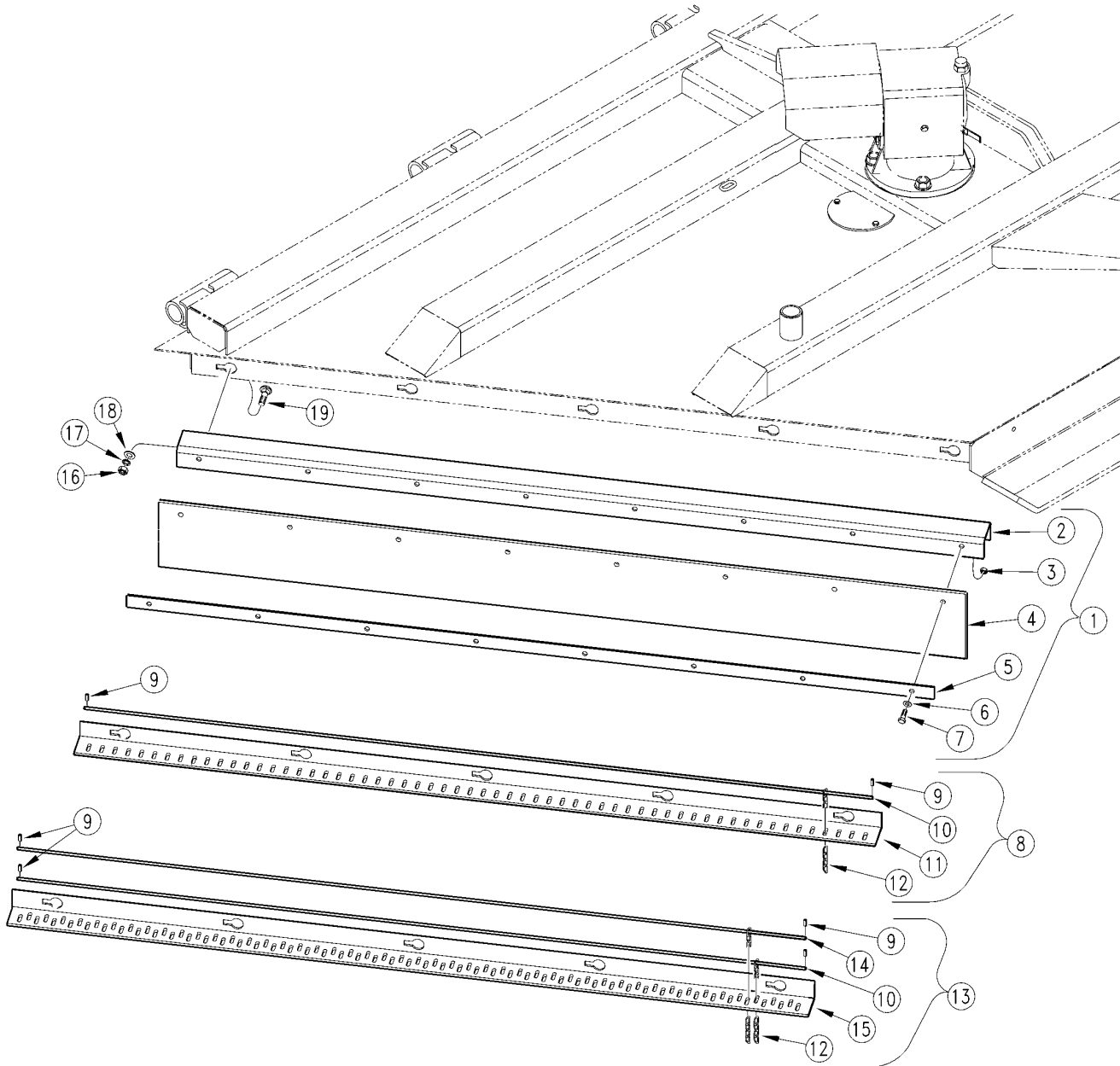


**Guards Wing Deck (S/N 160278-)****Applies to RCF45180**

Ref	Part No.	Part Description	Comments	Revision
	dwg11084	Drawing Image Number		
1.	890-175C	CHAIN 5/16 PROOF X 6 LINKS PLT		
2.	312-468D	GUARD - CHAIN LH WING FRONT		
2.	312-469D	GUARD - CHAIN RH WING FRONT		
3.	312-477D	CHAIN HANGER ROD WING FWD		
4.	805-136C	PIN ROLL 1/8 X 1 1/4 LG. PLT		Rev. 2
4.	805-063C	PIN COTTER 3/32 X 1		Rev 1; Use up stock
5.	312-259K	RUBBER GUARD ASSY - LH WING		
5.	312-260K	RUBBER GUARD ASSY - RH WING		
6.	802-079C	HHCS 3/8-16X1 1/4 GR5		
7.	804-012C	WASHER FLAT 3/8 SAE PLT		
8.	312-070D	BACKUP STRIP-WING RBR GUARD		
9.	816-122C	RUBBER GUARD WING FRONT		
10.	803-078C	NUT LOCK 3/8-16 NYLON INSERT		
11.	312-442D	CHANNEL - LH WING RBR GUARD		
11.	312-443D	CHANNEL - RH WING RBR GUARD		
12.	802-214C	RHSNB 1/2-13X1 1/4 GR5		
13.	803-020C	NUT HEX 1/2-13 PLT		
14.	804-015C	WASHER LOCK SPRING 1/2 PLT		
15.	804-016C	WASHER FLAT 1/2 SAE PLT		
16.	312-480D	CHAIN HANGER RD WING AFT OUTBD		
17.	312-479D	WING CHAIN HANGER ROD - SHORT		
18.	312-318H	CHAIN GUARD WELDMNT - RH WING		
18.	312-317H	CHAIN GUARD WELDMNT - LH WING		
19.	312-462D	SKIRT - LH WING REAR OUTBD		
19.	312-464D	SKIRT - RH WING REAR OUTBD		
20.	312-461D	SKIRT - WING REAR CENTER		
21.	312-476D	CHAIN HANGER ROD WING AFT CTR		
22.	312-474D	GUARD - CHAIN WING REAR CTR		
23.	312-463D	SKIRT - LH WING REAR INBD		
23.	312-465D	SKIRT - RH WING REAR INBD		
24.	312-470D	GUARD-CHAIN LH WING REAR INBD		
24.	312-471D	GUARD-CHAIN RH WING REAR INBD		
25.	312-478D	CHAIN HANGER ROD WING AFT INBD		
26.	312-514D	GUARD; DUBLCHAIN LH WING FRONT		
26.	312-515D	GUARD; DUBLCHAIN RH WING FRONT		
27.	312-524D	CHAIN HANGER ROD-69 5/16 LONG		
28.	312-319H	DUBL CHAIN G WELDMT - LH WING		
28.	312-320H	DUBL CHAIN G WELDMT - RH WING		
29.	312-528D	CHAIN HANGER ROD-15 13/16 LONG		
30.	312-520D	GUARD; DUBLCHAIN WING REAR CTR		
31.	312-530D	CHAIN HANGER ROD - 32 3/8 LONG		
32.	312-529D	CHAIN HANGER ROD - 34 1/4 LONG		
33.	312-516D	GUARD; DUBLCHAIN LH WING R INB		
33.	312-517D	GUARD; DUBLCHAIN RH WING R INB		
34.	312-526D	CHAIN HANGER ROD - 12 1/8 LONG		
35.	312-478D	CHAIN HANGER ROD WING AFT INBD		

### Guards Wing Deck Front (S/N 160279+)

Applies to RCF45180



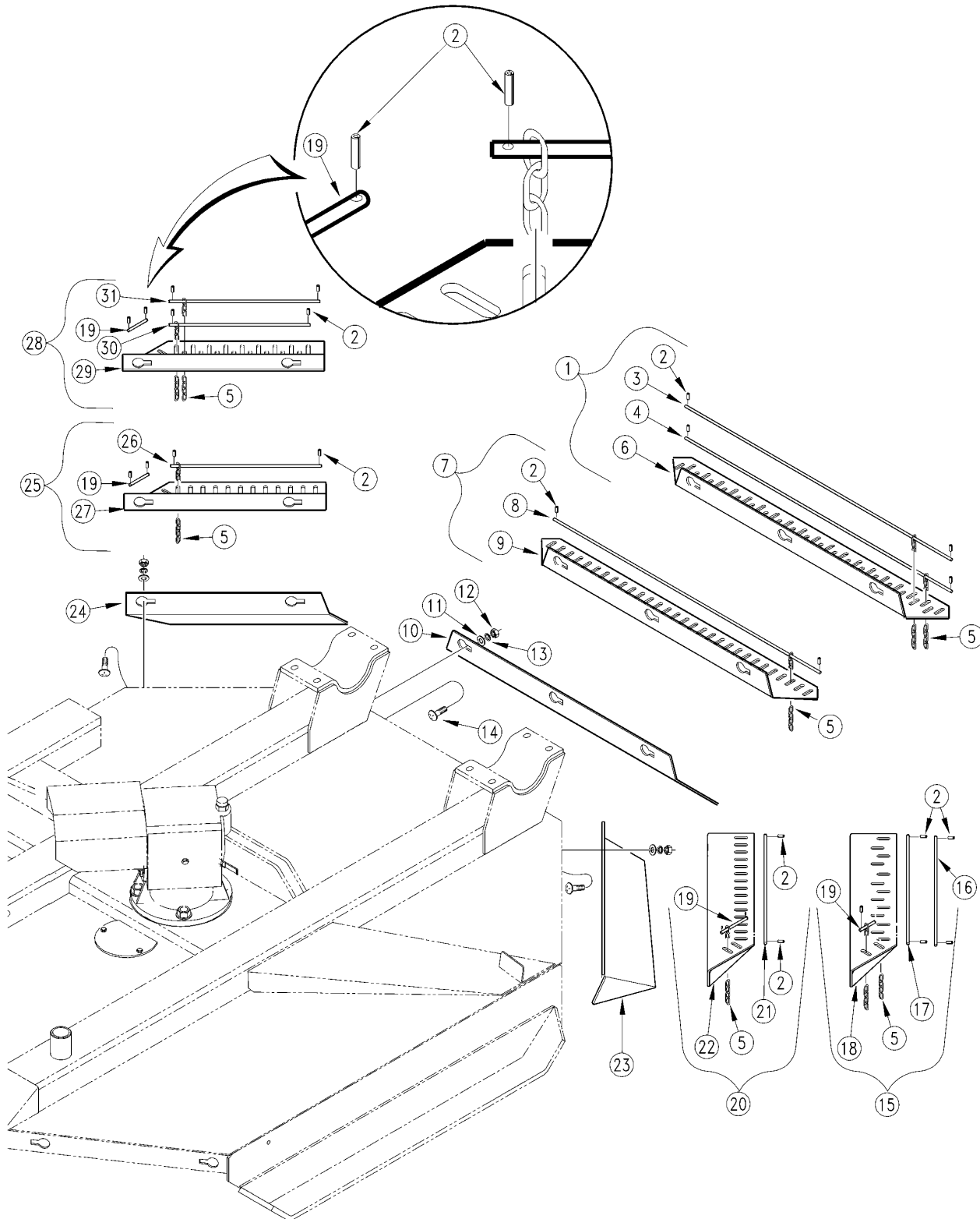
14093

**Guards Wing Deck Front (S/N 160279+)****Applies to RCF45180**

<b>Ref</b>	<b>Part No.</b>	<b>Part Description</b>	<b>Comments</b>	<b>Revision</b>
	dwg14093	Drawing Image Number		
1.	312-259K	RUBBER GUARD ASSY - LH WING		
1.	312-260K	RUBBER GUARD ASSY - RH WING		
2.	312-442D	CHANNEL - LH WING RBR GUARD		
2.	312-443D	CHANNEL - RH WING RBR GUARD		
3.	803-078C	NUT LOCK 3/8-16 NYLON INSERT		
4.	816-122C	RUBBER GUARD WING FRONT		
5.	312-070D	BACKUP STRIP-WING RBR GUARD		
6.	804-012C	WASHER FLAT 3/8 SAE PLT		
7.	802-079C	HHCS 3/8-16X1 1/4 GR5		
8.	312-262K	GUARD ASSY - LH WING FRONT		
8.	312-263K	GUARD ASSY - RH WING FRONT		
9.	805-136C	PIN ROLL 1/8 X 1 1/4 LG. PLT		
10.	312-477D	CHAIN HANGER ROD WING FWD		
11.	312-744D	GUARD - CHAIN LH WING FRONT		
11.	312-745D	GUARD - CHAIN RH WING FRONT		
12.	890-175C	CHAIN 5/16 PROOF X 6 LINKS PLT		
13.	312-324K	DUBL CHAIN GRD ASSY; LH WING F		
13.	312-325K	DBL CHAIN GUARD; RH WING F		
14.	312-524D	CHAIN HANGER ROD-69 5/16 LONG		
15.	312-753D	GUARD-DBL CHAIN LH WING FRONT		
15.	312-754D	GUARD-DBL CHAIN RH WING FRONT		
16.	803-020C	NUT HEX 1/2-13 PLT		
17.	804-015C	WASHER LOCK SPRING 1/2 PLT		
18.	804-016C	WASHER FLAT 1/2 SAE PLT		
19.	802-214C	RHSNB 1/2-13X1 1/4 GR5		

**Guards Wing Deck Rear (S/N 160279+)**

Applies to RCF45180



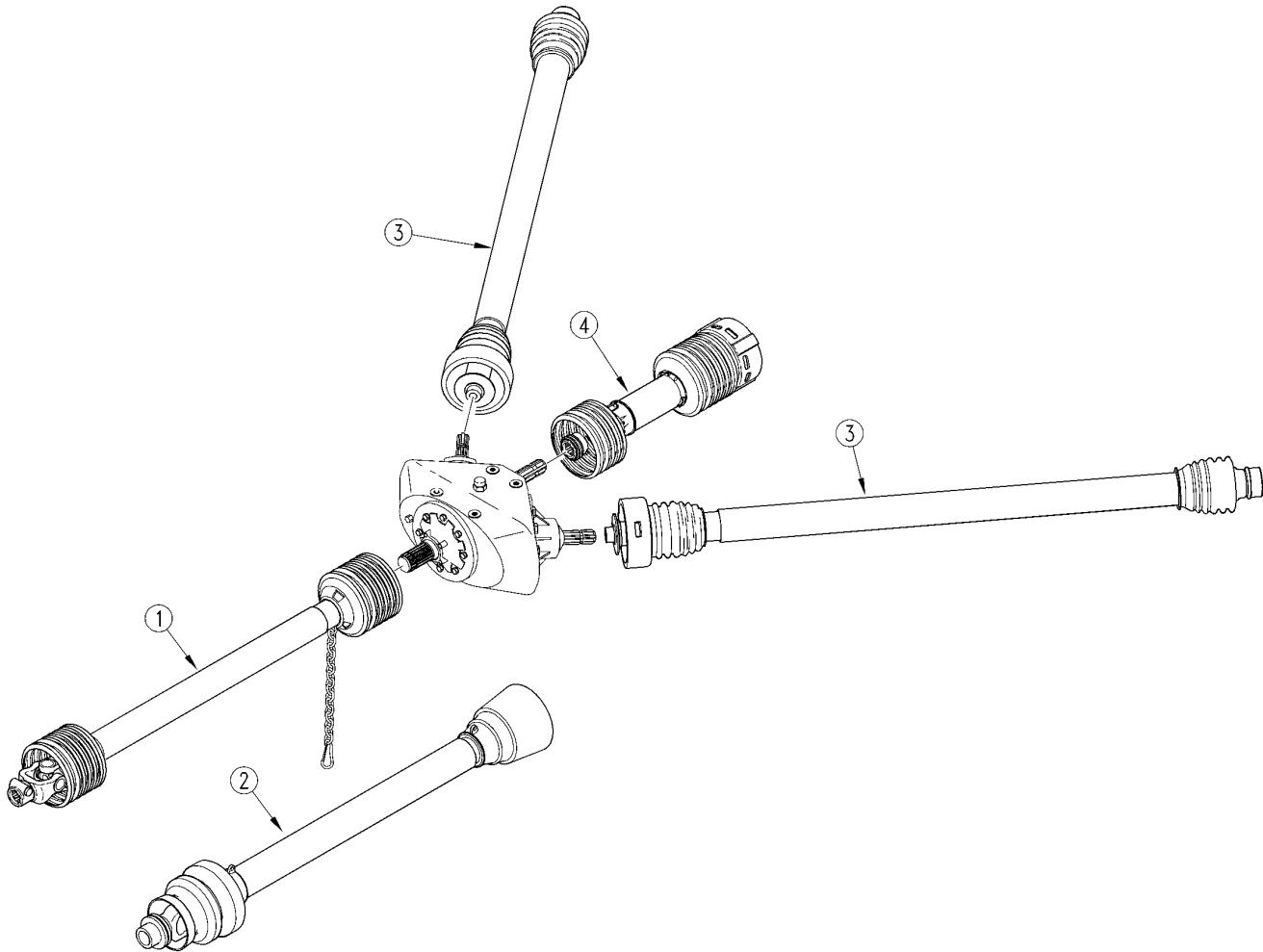
14094

**Guards Wing Deck Rear (S/N 160279+)****Applies to RCF45180**

Ref	Part No.	Part Description	Comments	Revision
	dwg14094	Drawing Image Number		
1.	312-328K	DBL CHAIN GRD ASSY; WING R CTR		
2.	805-136C	PIN ROLL 1/8 X 1 1/4 LG. PLT		
3.	312-529D	CHAIN HANGER ROD - 34 1/4 LONG		
4.	312-530D	CHAIN HANGER ROD - 32 3/8 LONG		
5.	890-400C	CHAIN WELD 5/16 PROOF X 4 LINK		
6.	312-759D	GUARD-DBL CHAIN WING REAR CTR		
7.	312-266K	GUARD ASSY - WING REAR CTR		
8.	312-476D	CHAIN HANGER ROD WING AFT CTR		
9.	312-750D	GUARD - CHAIN WING REAR CTR		
10.	312-461D	SKIRT - WING REAR CENTER		
11.	804-016C	WASHER FLAT 1/2 SAE PLT		
12.	803-020C	NUT HEX 1/2-13 PLT		
13.	804-015C	WASHER LOCK SPRING 1/2 PLT		
14.	802-214C	RHSNB 1/2-13X1 1/4 GR5		
15.	312-327K	DBL CHAIN GRD ASSY; LH REAR O		
15.	312-331K	DBL CHAIN GRD ASSY; RH REAR O		
16.	312-480D	CHAIN HANGER RD WING AFT OUTBD		
17.	312-528D	CHAIN HANGER ROD-15 13/16 LONG		
18.	312-450H	CHAIN GUARD DBL WLD-LH WNG OTB		
18.	312-449H	CHAIN GUARD DBL WLD-RH WNG OTB		
19.	312-479D	WING CHAIN HANGER ROD - SHORT		
20.	312-265K	GUARD ASSY -LH WING REAR OUTBD		
20.	312-269K	GUARD ASSY -RH WING REAR OUTBD		
21.	312-480D	CHAIN HANGER RD WING AFT OUTBD		
22.	312-447H	CHAIN GUARD WLD-RH WING OUTBD		
22.	312-448H	CHAIN GUARD WLD-LH WING OUTBD		
23.	312-462D	SKIRT - LH WING REAR OUTBD		
23.	312-464D	SKIRT - RH WING REAR OUTBD		
24.	312-463D	SKIRT - LH WING REAR INBD		
24.	312-465D	SKIRT - RH WING REAR INBD		
25.	312-267K	GUARD ASSY - LH WING REAR INBD		
25.	312-268K	GUARD ASSY - RH WING REAR INBD		
26.	312-478D	CHAIN HANGER ROD WING AFT INBD		
27.	312-746D	GUARD-CHAIN LH WING REAR INBD		
27.	312-747D	GUARD-CHAIN RH WING REAR INBD		
28.	312-329K	DBL CHAIN GRD ASSY; LH REAR I		
28.	312-330K	DBL CHAIN GRD ASSY; RH REAR I		
29.	312-755D	GUARD-DBL CHAIN LH WNG R INBD		
29.	312-756D	GUARD-DBL CHAIN RH WNG R INBD		
30.	312-526D	CHAIN HANGER ROD - 12 1/8 LONG		
31.	312-478D	CHAIN HANGER ROD WING AFT INBD		

## Driveline Arrangement- 540 RPM

Applies to RCF45180



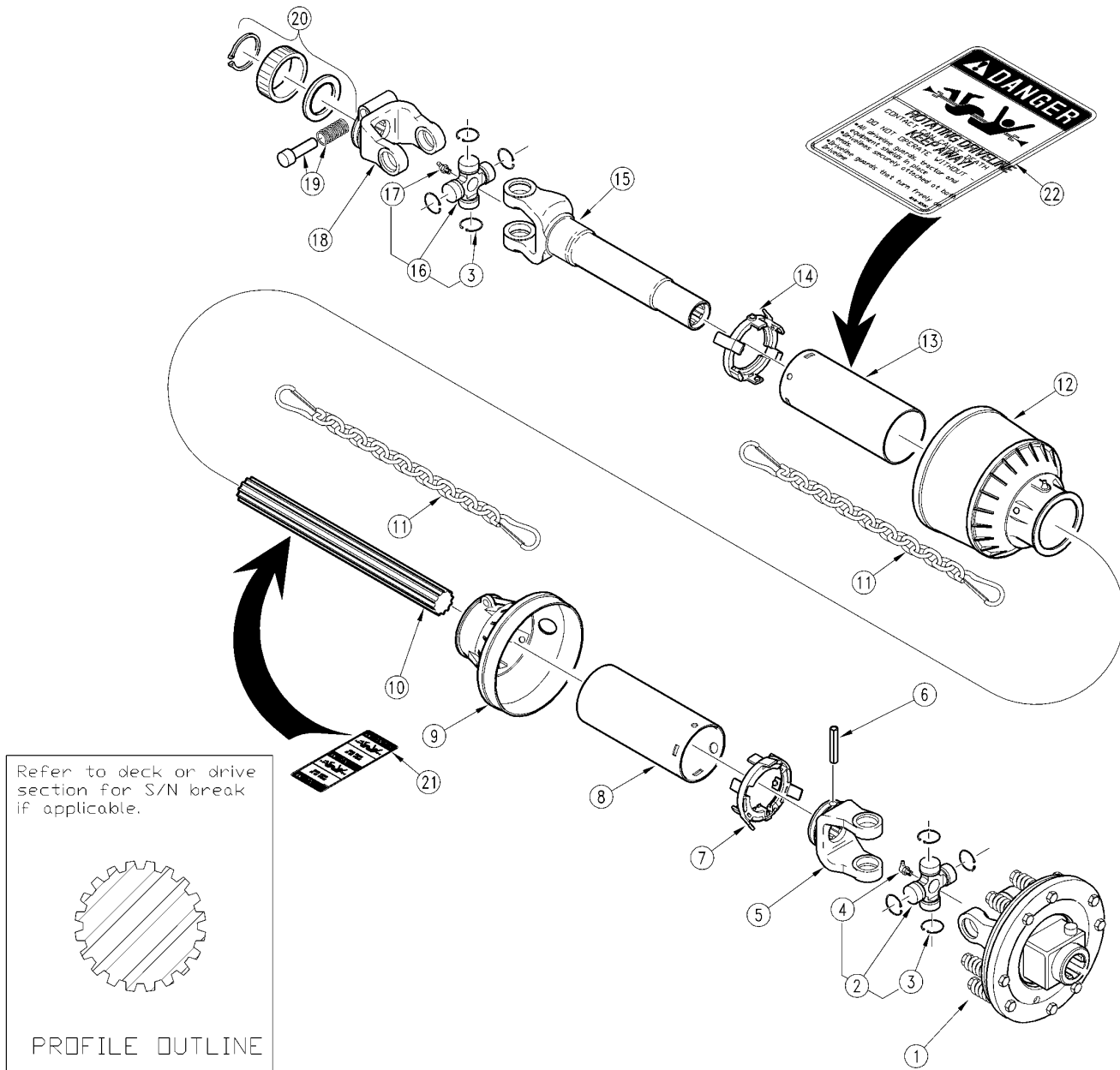
14761

**Driveline Arrangement- 540 RPM****Applies to RCF45180**

<b>Ref</b>	<b>Part No.</b>	<b>Part Description</b>	<b>Comments</b>	<b>Revision</b>
	dwg14761	Drawing Image Number		
1.	826-112C	PTO 2500 X 39.76 NO CLUTCH	(S/N 115261+)	
1.	826-083C	RPBY 826-112C	(S/N 115260-)	
2.	826-476C	PTO CV V80 X 54.8 NO CLUTCH	Service Only	
2.	826-117C	PTO CV 2580 X 41.73 NO CLUTCH	(S/N 115261+)	
2.	826-098C	RPBY 826-117C	(S/N 82428<->115260)	
2.	826-076C	RPBY 826-098C	(S/N 82427-)	
3.	826-116C	PTO 2400 X 49.61 W/CLUTCH	(S/N 115261+)	
3.	826-096C	RPBY 826-116C	(S/N 82428<->115260)	
3.	826-079C	RPBY 826-096C	(S/N 82427-)	
4.	826-114C	PTO 2400 X 14.88 FIXED W/CLTCH	(S/N 115261+)	
4.	826-094C	RPBY 826-114C	(S/N 82428<->115260)	
4.	826-078C	RPBY 826-094C & 826-095C	(S/N 82427-)	

**Driveline 540 RPM (826-094C) (S/N 82428 to 115620)**

Applies to RCF45180



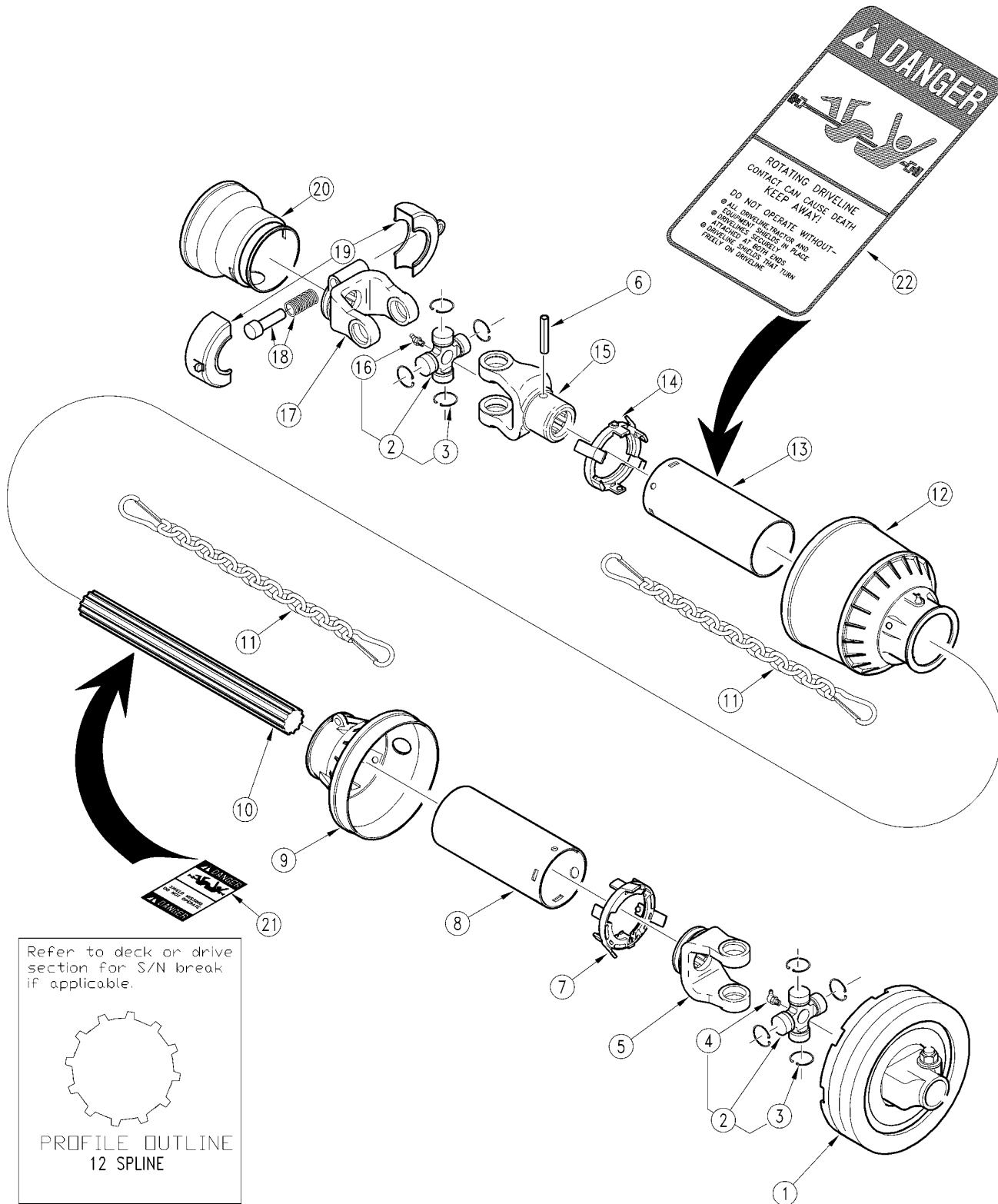


**Driveline 540 RPM (826-094C) (S/N 82428 to 115620)****Applies to RCF45180**

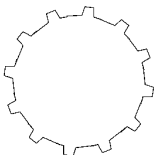
<b>Ref</b>	<b>Part No.</b>	<b>Part Description</b>	<b>Comments</b>	<b>Revision</b>
	dwg11622	Drawing Image Number		
	826-094C	RPBY 826-114C		
1.	638248001	BP TORQUE LIMITER		
2.	41205	BP CROSS JOURNAL ASSY		
3.	338020000	BP SNAP RING		
4.	348004000	BP GREASE ZERK		
5.	204053361	BP YOKE FEMALE		
6.	345012000	BP ROLL PIN		
7.	255050006	BP INNER BEARING		
8.	236530152	BP SAFETY TUBE		
9.	517050099	BP CONE WITH COLLAR		
10.	249110242	BP CM SPLINED MALE		
11.	252000001	BP SAFETY CHAIN		
12.	517050098	BP CONE WITH COLLAR		
13.	236630152	BP SAFETY TUBE		
14.	255050005	BP OUTER BEARING		
15.	569B50254	BP YOKE FEMALE		
16.	412050006	BP CROSS JOURNAL ASSY		
17.	348005000	BP GREASE ZERK		
18.	572050351	BP YOKE		
19.	403000001	BP COMPLETE PUSH BUTTON		
20.	240003051	BP COMPLETE SLEEVE		
21.	399143000	BP DECAL - SHIELD MISSING		
22.	399141000	BP DECAL - ENTANGLEMENT		

**Driveline Center (826-078C) (S/N 82427-)**

Applies to RCF45180



Refer to deck or drive section for S/N break if applicable.



PROFILE OUTLINE  
12 SPLINE

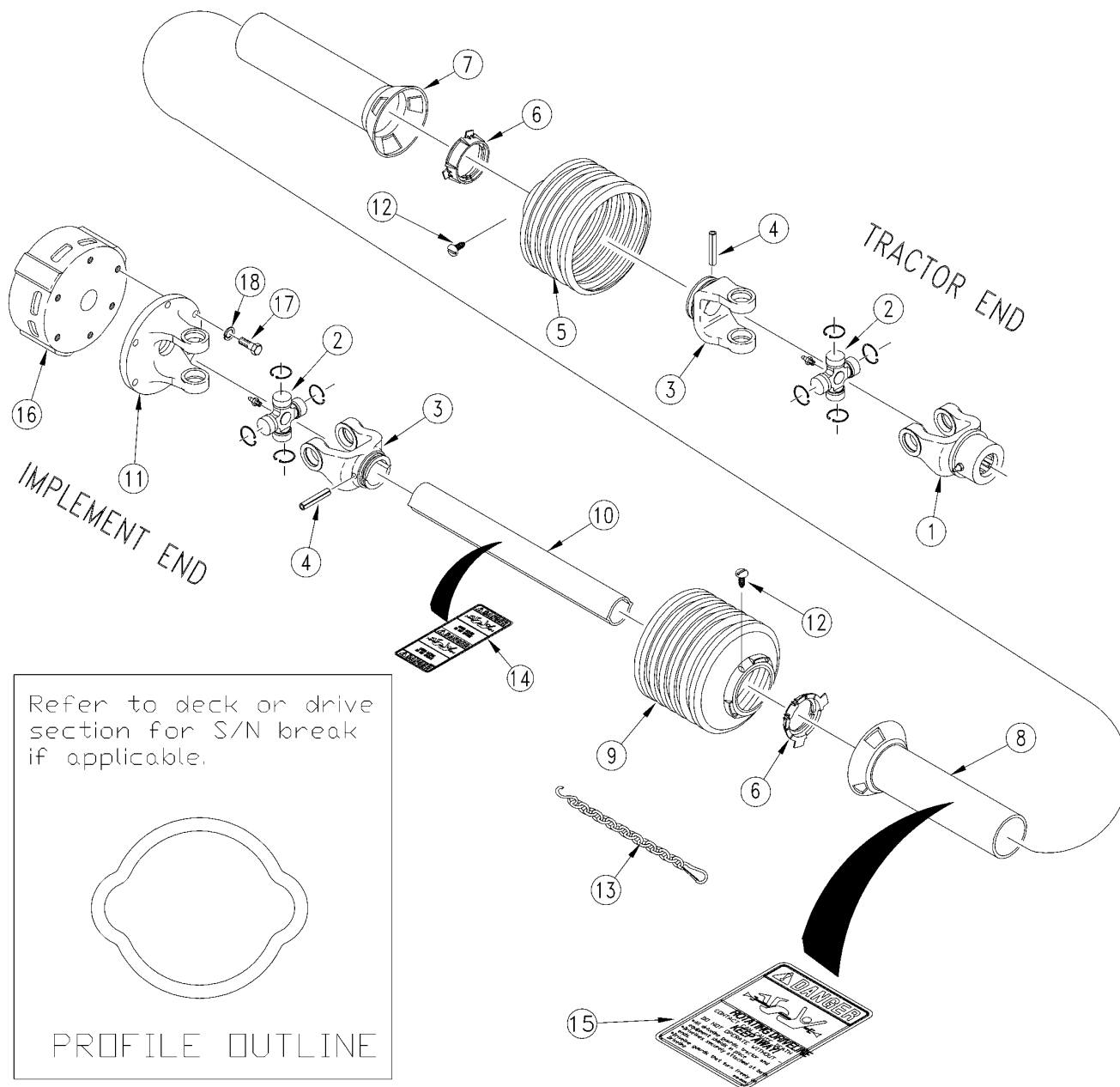
11114

**Driveline Center (826-078C) (S/N 82427-)****Applies to RCF45180**

<b>Ref</b>	<b>Part No.</b>	<b>Part Description</b>	<b>Comments</b>	<b>Revision</b>
	dwg11114	Drawing Image Number		
	826-078C	RPBY 826-094C & 826-095C		
1.	676548303	BP TORQUE LIMITER		
2.	412050006	BP CROSS JOURNAL ASSY		
3.	338020000	BP SNAP RING		
4.	348005000	BP GREASE ZERK		
5.	204053354	BP YOKE		
6.	345012000	BP ROLL PIN		
7.	255050005	BP OUTER BEARING		
8.	236630185	BP SAFETY TUBE		
9.	517050008	BP CONE WITH COLLAR		
10.	249110330	BP SHAFT SPLINED		
11.	252000001	BP SAFETY CHAIN		
12.	517050091	BP CONE WITH COLLAR		
13.	236530185	BP SAFETY TUBE		
14.	255050006	BP INNER BEARING		
15.	204053361	BP YOKE FEMALE		
16.	348004000	BP GREASE ZERK		
17.	510050351	BP YOKE		
18.	403000001	BP COMPLETE PUSH BUTTON		
19.	255050009	BP RING NUT		
20.	517050008	BP CONE WITH COLLAR		
21.	399141000	BP DECAL - ENTANGLEMENT		
22.	399143000	BP DECAL - SHIELD MISSING		

**Driveline Center 540 RPM (826-114C) (S/N 115261+)**

Applies to RCF45180



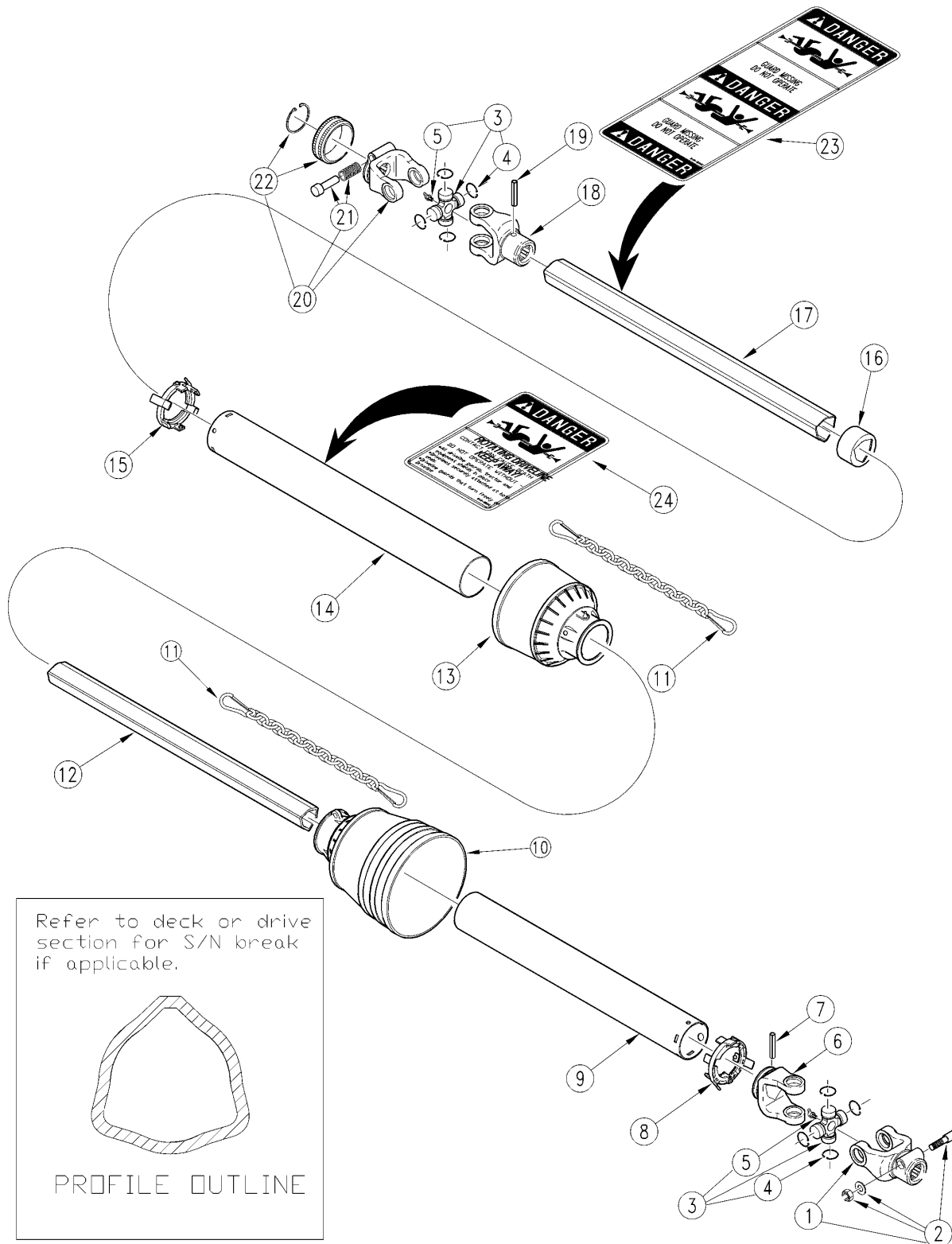
12384

**Driveline Center 540 RPM (826-114C) (S/N 115261+)****Applies to RCF45180**

<b>Ref</b>	<b>Part No.</b>	<b>Part Description</b>	<b>Comments</b>	<b>Revision</b>
	dwg12384	Drawing Image Number		
	826-114C	PTO 2400 X 14.88 FIXED W/CLTCH		
1.	382329	WS YOKE 1 3/8"-6 SPL ASSY		
2.	312410	WS CROSS BEARING KIT		
3.	019519	WS INBOARD YOKE		
4.	020617	WS SPRING PIN 10 X 20		
5.	377336	WS SHIELD CONE 6 RIB		
6.	087276	WS BEARING RING - SC25		
7.	386428	WS INNER SHIELD TUBE		
8.	386427	WS OUTER SHIELD TUBE		
9.	377436	WS SHIELD CONE - 6 RIB		
10.	388695	WS OUTER PROFILE 2A		
11.	023474	WS FLANGE YOKE		
12.	365305	WALTERSCHEID SCREW		
13.	044321	WALTERSCHEID SAFETY CHAIN		
14.	818-540C	DECAL DANGER GUARD MISS PTO		
15.	818-552C	DECAL DANGER PTO DRIVELINE		
16.	053356	WS EK92/4 CLUTCH 1350 NM 2400		
17.	020530	WS BOLT M12 X 25-8.8 DIN933		
18.	804-159C	WASHER SPRING LOCK M12 PLT		

**Driveline Conv. 540 RPM (826-083C) (S/N 115260-)**

Applies to RCF45180



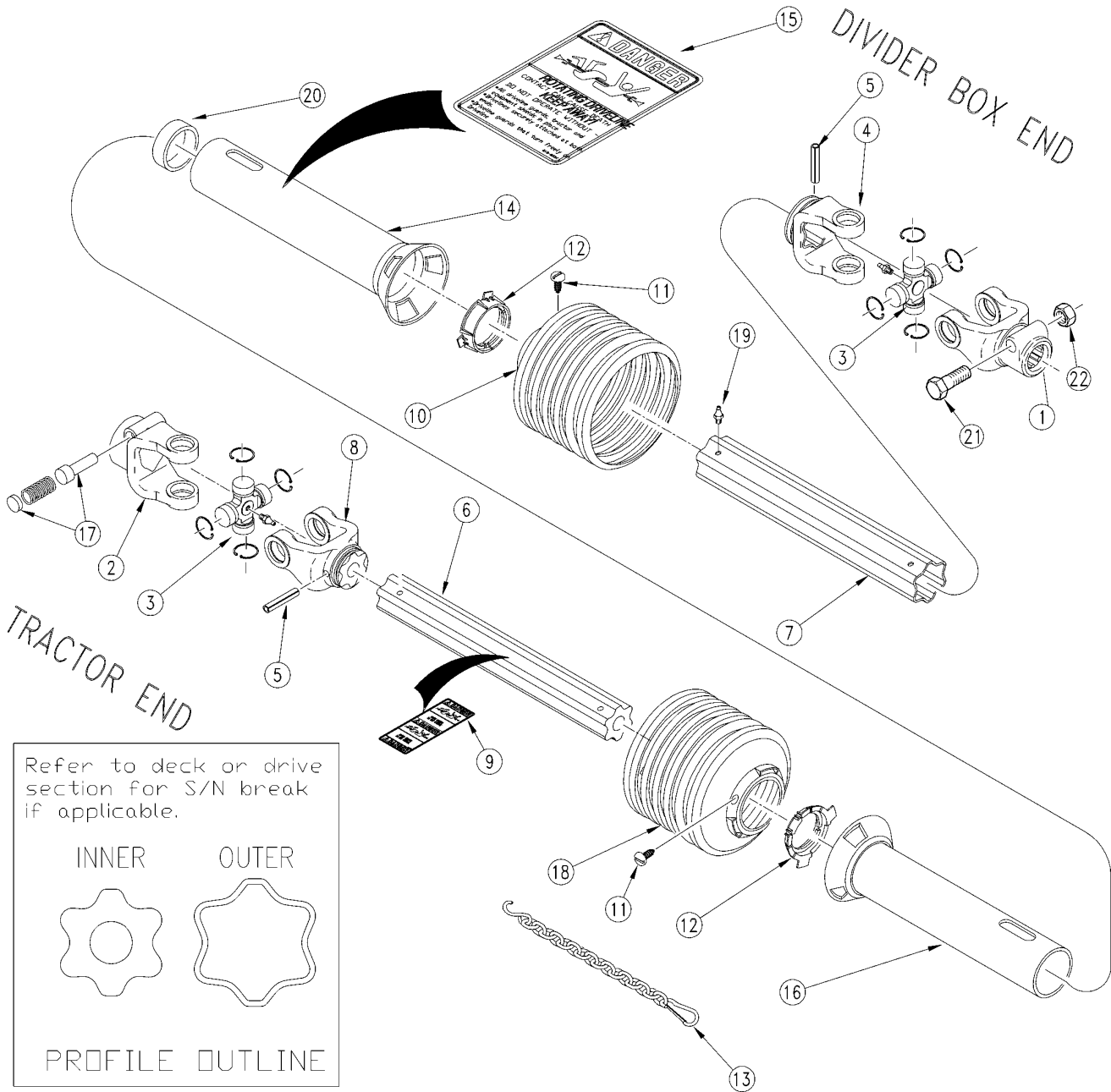
11139

**Driveline Conv. 540 RPM (826-083C) (S/N 115260-)****Applies to RCF45180**

<b>Ref</b>	<b>Part No.</b>	<b>Part Description</b>	<b>Comments</b>	<b>Revision</b>
	dwg11139	Drawing Image Number		
	826-083C	RPBY 826-112C		
1.	509083855	BP YOKE		
2.	408000041	BP PIVOT		
3.	41208	BP CROSS JOURNAL ASSY		
4.	338023000	BP SNAP RING		
5.	348004000	BP GREASE ZERK		
6.	204086861	BP INNER TUBE YOKE		
7.	341055000	BP ROLL PIN		
8.	255080006	BP INNER BEARING		
9.	237005408	BP SAFETY TUBE		
10.	517080080	BP CONE WITH COLLAR		
11.	252000005	BP SAFETY CHAIN		
12.	225690823	BP CARDAN TUBE		
13.	517080082	BP CONE WITH COLLAR		
14.	236640744	BP SAFETY TUBE		
15.	255080005	BP OUTER BEARING		
16.	239006812	BP RING NUT		
17.	224730815	BP CARDAN TUBE		
18.	204086860	BP OUTER TUBE YOKE		
19.	341054000	BP ROLL PIN		
20.	572080351	BP YOKE RS		
21.	403000001	BP COMPLETE PUSH BUTTON		
22.	240080061	BP HUB		
23.	399143000	BP DECAL - SHIELD MISSING		
24.	399141000	BP DECAL - ENTANGLEMENT		

**Driveline Conv. 540 RPM (826-112C) (S/N 115261+)**

Applies to RCF45180



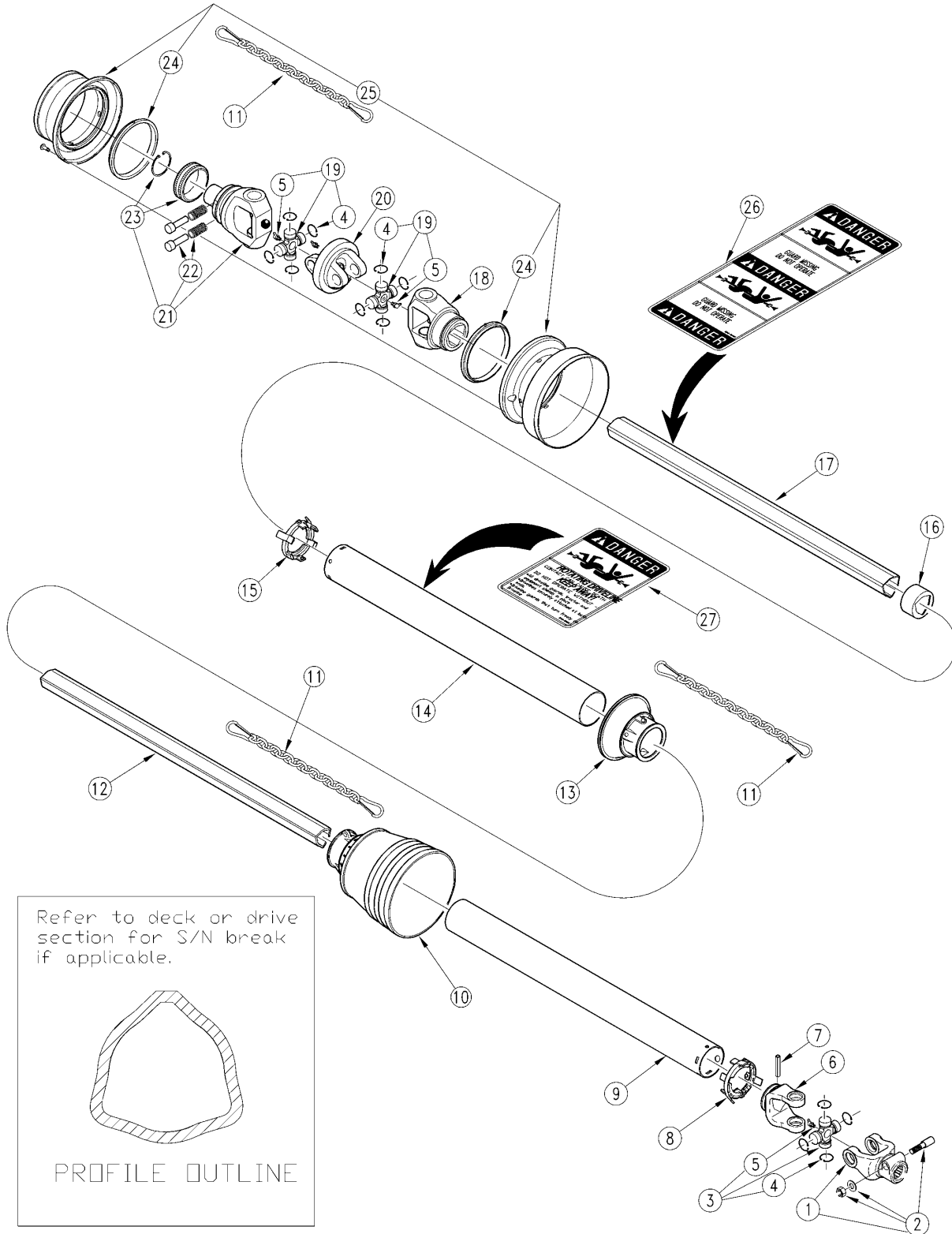


**Driveline Conv. 540 RPM (826-112C) (S/N 115261+)****Applies to RCF45180**

<b>Ref</b>	<b>Part No.</b>	<b>Part Description</b>	<b>Comments</b>	<b>Revision</b>
	dwg12387	Drawing Image Number		
	826-112C	PTO 2500 X 39.76 NO CLUTCH		
1.	325027	WS YOKE 1 3/4-20 SPL.I.C. 2500		
2.	097136	WS YOKE 1 3/8-6 SPL Q.D. 2500		
3.	312209	WS CROSS & BEARING KIT 2500		
4.	097133	WS INBOARD YOKE 2400		
5.	304046	WS SPRING PIN 10 X 90		
6.	321256	WS INNER PROFILE 2400		
7.	390257	WS PROFILE & SLEEVE W.A.		
8.	097140	WS INBOARD YOKE 2500		
9.	818-540C	DECAL DANGER GUARD MISS PTO		
10.	377442	WS SHIELD CONE - 12 RIB		
11.	365305	WALTERSCHEID SCREW		
12.	087276	WS BEARING RING - SC25		
13.	044321	WALTERSCHEID SAFETY CHAIN		
14.	389850	WS OUTER SHIELD TUBE RND.		
15.	818-552C	DECAL DANGER PTO DRIVELINE		
16.	388957	WS INNER SHIELD TUBE ROUND		
17.	339107	WS Q.D. PIN KIT		
18.	377437	WS SHIELD CONE 7 RIB		
19.	380371	WS ZERK		
20.	355155	WS SUPPORT BEARING		
21.	702352	WS HEX BOLT M16 X 90 GR 8.8		
22.	304011	WS LOCK NUT M16		

**Driveline CV 540 RPM (826-076C) (S/N 82427-)**

**Applies to RCF45180**



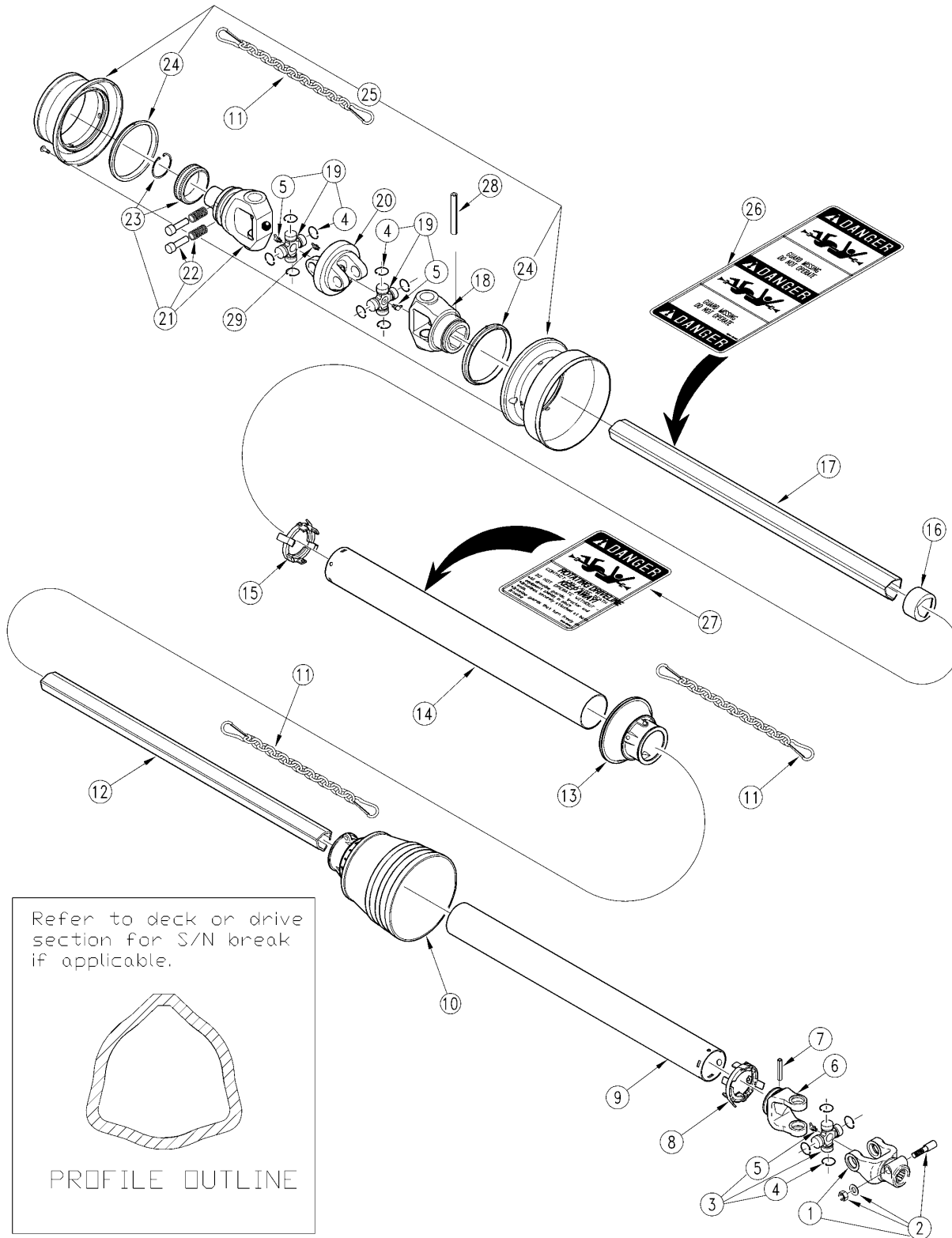
14366

**Driveline CV 540 RPM (826-076C) (S/N 82427-)****Applies to RCF45180**

<b>Ref</b>	<b>Part No.</b>	<b>Part Description</b>	<b>Comments</b>	<b>Revision</b>
	dwg14366	Drawing Image Number		
	826-076C	RPBY 826-098C		
1.	509083855	BP YOKE		
2.	408000041	BP PIVOT		
3.	41208	BP CROSS JOURNAL ASSY		
4.	338023000	BP SNAP RING		
5.	34800400	BP GREASE ZERK		
6.	204086861	BP INNER TUBE YOKE		
7.	341055000	BP ROLL PIN		
8.	255080006	BP INNER BEARING		
9.	237005407	BP SAFETY TUBE		
10.	517080080	BP CONE WITH COLLAR		
11.	252000005	BP SAFETY CHAIN		
12.	245690713	BP CARDAN TUBE		Rev. 4
12.	270690713	BP CARDAN TB	(RPBY 245690713)	Rev 3; Use up stock
12.	270080713	BP CARDAN TUBE	(RPBY 270690713)	Rev 2; Use up stock
12.	244690713	BP CARDAN TUBE	(RPBY 270690713)	Rev 1; Use up stock
13.	254080029	BP SAFETY CONE		
14.	236640640	BP SAFETY TUBE		
15.	255080005	BP OUTER BEARING		
16.	239006812	BP RING NUT		
17.	224730710	BP CARDAN TUBE		
18.	215086854	BP YOKE		
19.	412080012	BP CROSS JOURNAL ASSY		
20.	511080051	BP CENTRAL BODY		
21.	573080375	BP YOKE WITH BRIDGE		
22.	403000001	BP COMPLETE PUSH BUTTON		
23.	240080061	BP HUB		
24.	255080351	BP RING NUT DOWELS		
25.	517088051	BP COMPLETE SHELL		
26.	399143000	BP DECAL - SHIELD MISSING		
27.	399141000	BP DECAL - ENTANGLEMENT		

**Driveline CV 540 RPM (826-098C) (S/N 82428 to 115260)**

Applies to RCF45180



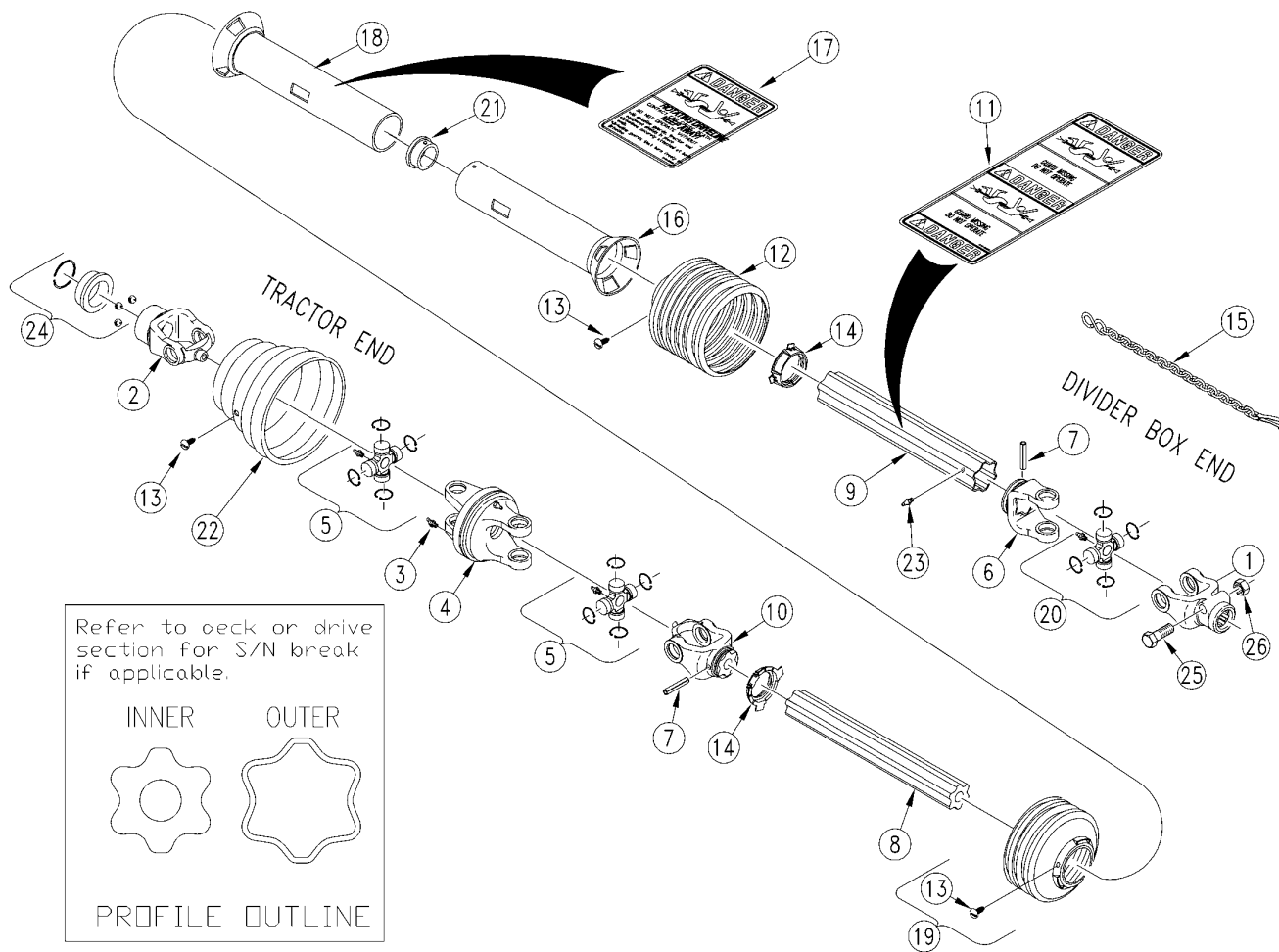
11137

**Driveline CV 540 RPM (826-098C) (S/N 82428 to 115260)****Applies to RCF45180**

<b>Ref</b>	<b>Part No.</b>	<b>Part Description</b>	<b>Comments</b>	<b>Revision</b>
	dwg11137	Drawing Image Number		
	826-098C	RPBY 826-117C		
1.	509083855	BP YOKE		
2.	408000041	BP PIVOT		
3.	41208	BP CROSS JOURNAL ASSY		
4.	338023001	BP SNAP RING		
5.	348004000	BP GREASE ZERK		
6.	204086861	BP INNER TUBE YOKE		
7.	341055000	BP ROLL PIN		
8.	255080006	BP INNER BEARING		
9.	237005407	BP SAFETY TUBE		
10.	517080080	BP CONE WITH COLLAR		
11.	252000005	BP SAFETY CHAIN		
12.	245690713	BP CARDAN TUBE		
13.	254080029	BP SAFETY CONE		
14.	236640640	BP SAFETY TUBE		
15.	255080005	BP OUTER BEARING		
16.	239006815	BP RING NUT		
17.	224380710	BP CARDAN TUBE		
18.	215086854	BP YOKE		
19.	412080012	BP CROSS JOURNAL ASSY		
20.	511080051	BP CENTRAL BODY		
21.	573080375	BP YOKE WITH BRIDGE		
22.	403000001	BP COMPLETE PUSH BUTTON		
23.	240080061	BP HUB		
24.	255080351	BP RING NUT DOWELS		
25.	517088051	BP COMPLETE SHELL		
26.	399143000	BP DECAL - SHIELD MISSING		
27.	399141000	BP DECAL - ENTANGLEMENT		
28.	341055000	BP ROLL PIN		
29.	348017000	BP GREASE ZERK		

**Driveline CV 540 RPM (826-117C) (S/N 115261+)**

Applies to RCF45180

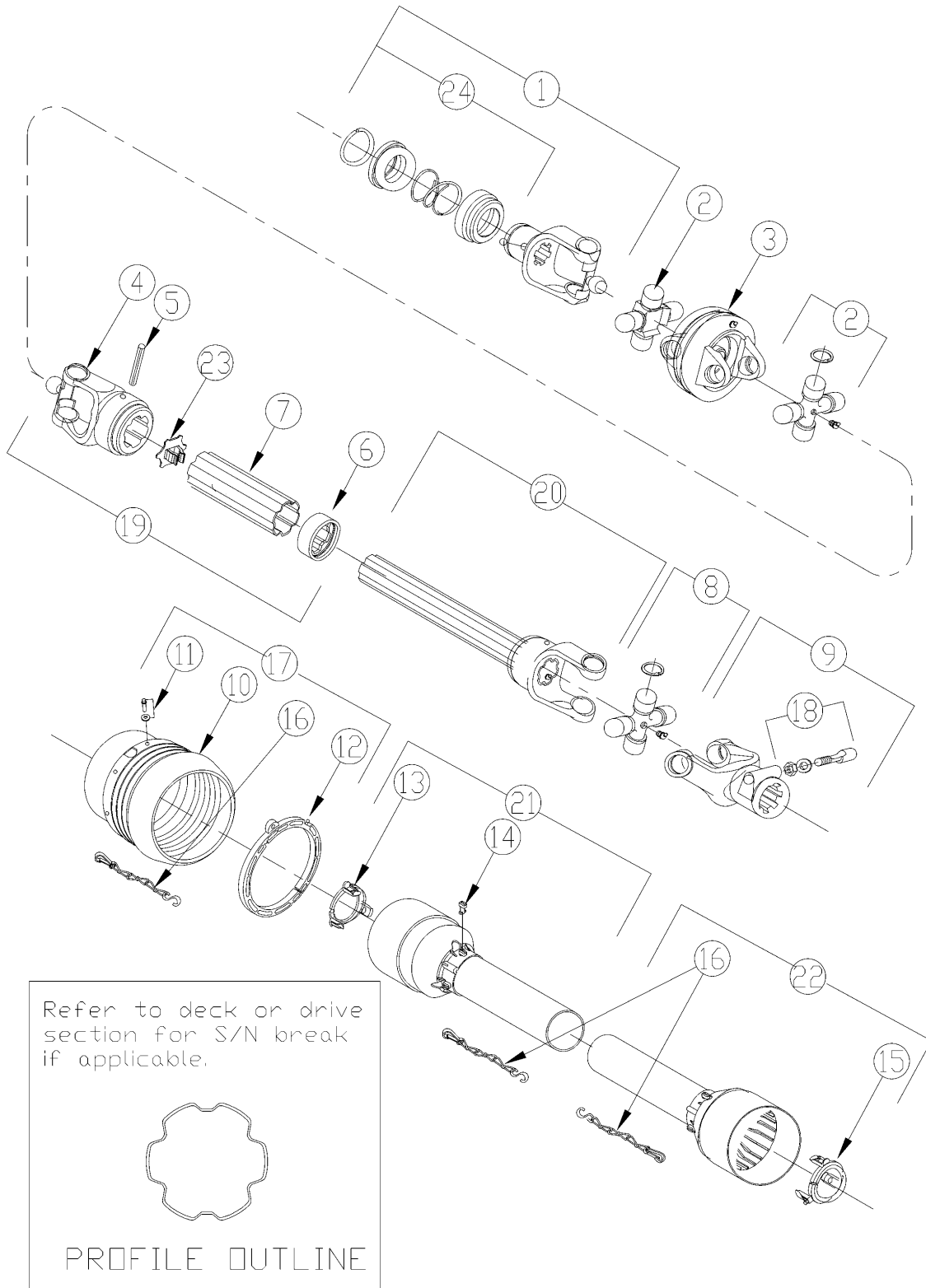


**Driveline CV 540 RPM (826-117C) (S/N 115261+)****Applies to RCF45180**

<b>Ref</b>	<b>Part No.</b>	<b>Part Description</b>	<b>Comments</b>	<b>Revision</b>
	dwg26857	Drawing Image Number		
	826-117C	PTO CV 2580 X 41.73 NO CLUTCH		
1.	325027	WS YOKE 1 3/4-20 SPL.I.C. 2500		
2.	363617	WS YOKE 1 3/8-6 SPL		
3.	020672	WS GREASE ZERK		
4.	365725	WS DOUBLE YOKE 2500		
5.	384316	WS CROSS & BEARING KIT 2500		
6.	097140	WS INBOARD YOKE 2500		
7.	304046	WS SPRING PIN 10 X 90		
8.	355527	WS INNER PROFILE S4GA/S5L		
9.	388141	WS PRFL.& SLEEVE W.A. S4GA/S5L		
10.	331573	WS INBOARD YOKE S4		
11.	818-540C	DECAL DANGER GUARD MISS PTO		
12.	377442	WS SHIELD CONE - 12 RIB		
13.	365305	WALTERSCHEID SCREW		
14.	087276	WS BEARING RING - SC25		
15.	044321	WALTERSCHEID SAFETY CHAIN		
16.	386345	WS INNER SHIELD TUBE RND.		
17.	818-552C	DECAL DANGER PTO DRIVELINE		
18.	388698	WS OUTER SHIELD TUBE OVAL		
19.	104810	WS SHIELD CONE 4 RIB		
20.	312209	WS CROSS & BEARING KIT 2500		
21.	355155	WS SUPPORT BEARING		
22.	386048	WS CV CONE & BEARING ASSY		
23.	380371	WS ZERK		
24.	364915	WS ASSY COLLAR KIT		
25.	702352	WS HEX BOLT M16 X 90 GR 8.8		
26.	304011	WS LOCK NUT M16		

**Driveline CV 540 RPM (826-476C) Comer (Service Only)**

Applies to RCF45180



23947

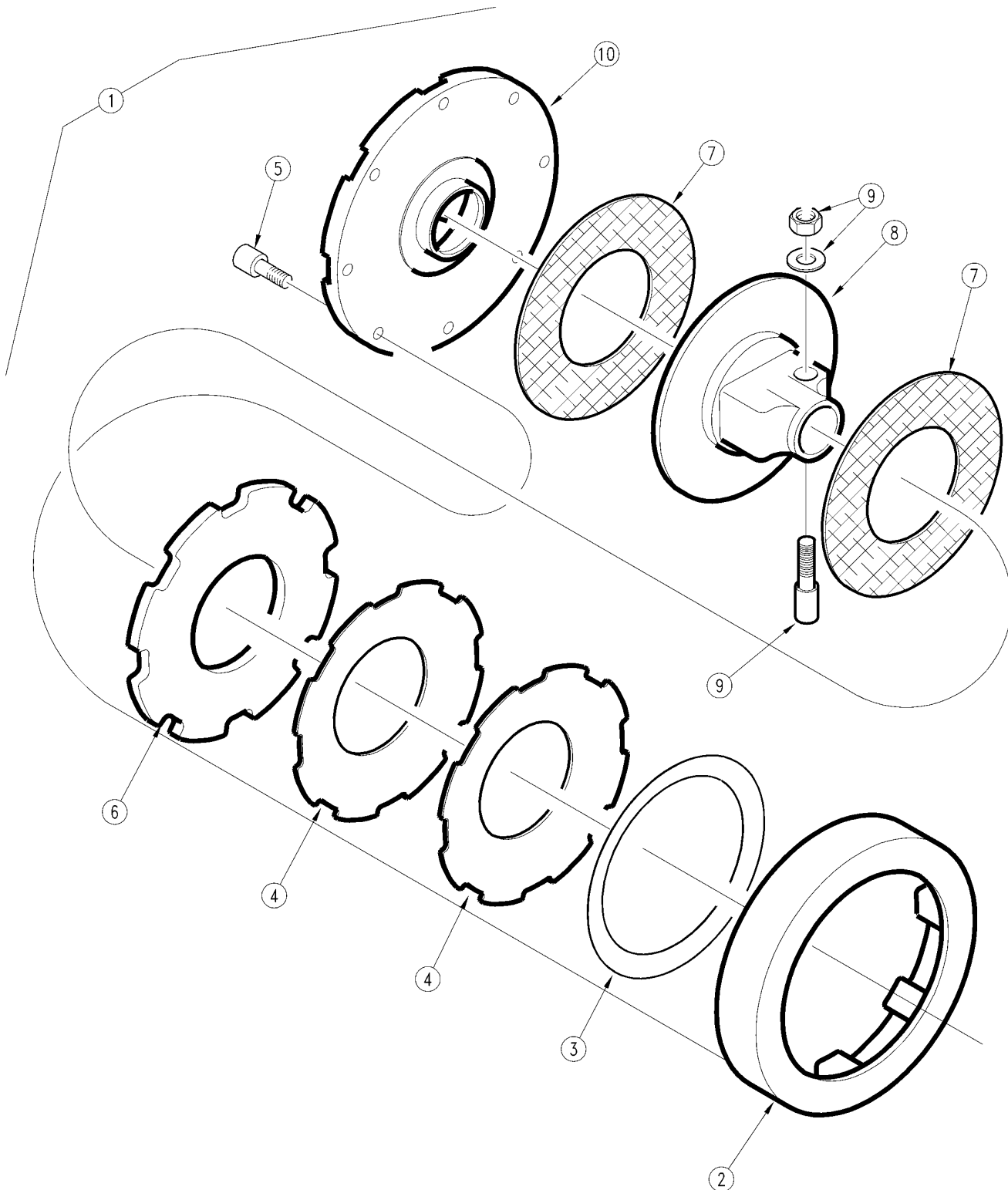


**Driveline CV 540 RPM (826-476C) Comer (Service Only)****Applies to RCF45180**

Ref	Part No.	Part Description	Comments	Revision
	dwg23947	Drawing Image Number		
	826-476C	PTO CV V80 X 54.8 NO CLUTCH *		
1.	141.028.358.1	COMER COLLER YOKE ASSEMBLY		
2.	180.018.158	COMER CV -JOINT CROSS ASSEMBLY		
3.	141.028.472.1	COMER WIDE ANGLE DOUBLE YOKE		
4.	141.028.248.1	COMER OUTER YOKE		
5.	190.000.243	COMER OUTER TUBE ROLL PIN		
6.	180.018.437	COMER WIPER		
7.	1522805320710	COMER OUTER TUBE		
8.	180.018.004	COMER CROSS ASSEMBLY		
9.	141.028.195.1	COMER YOKE COMPLETE		
10.	180.018.567	COMER CV JOINT GUARD CONE		
11.	165.000.694	COMER SCREW KIT FOR CV GUARD		
12.	158.018.470	COMER BEARING RING		
13.	180.018.251	COMER RETAINING COLLER INNER		
14.	180.014.240	COMER BOLT		
15.	180.018.252	COMER RETAINING COLLER INNER		
16.	180.016.025	COMER SAFTEY CHAINS		
17.	165.000.785	COMER CONE GUARD ASSEMBLY		
18.	165.000.589	COMER TAPERED PIN SET 1 3/4		
19.	122.981.027.1	COMER TUBE W/YOKE/LUBE/FEMALE		
20.	122.580.510.1	COMER TUBE W/YOKE/LUBE /MALE		
21.	1422831412821	COMER HLF FEMALE GRD W/LABEL		
22.	1422871632821	COMER HALF MALE GUARDING		
23.	180.018.393	COMER CAP OUTER TUBE, PLASTIC		
24.	165.000.628	COMER COLLER KIT 3/8 YOKE		

**Driveline Slip Clutch (676548303) Bondioli (S/N 82427-)**

Applies to RCF45180



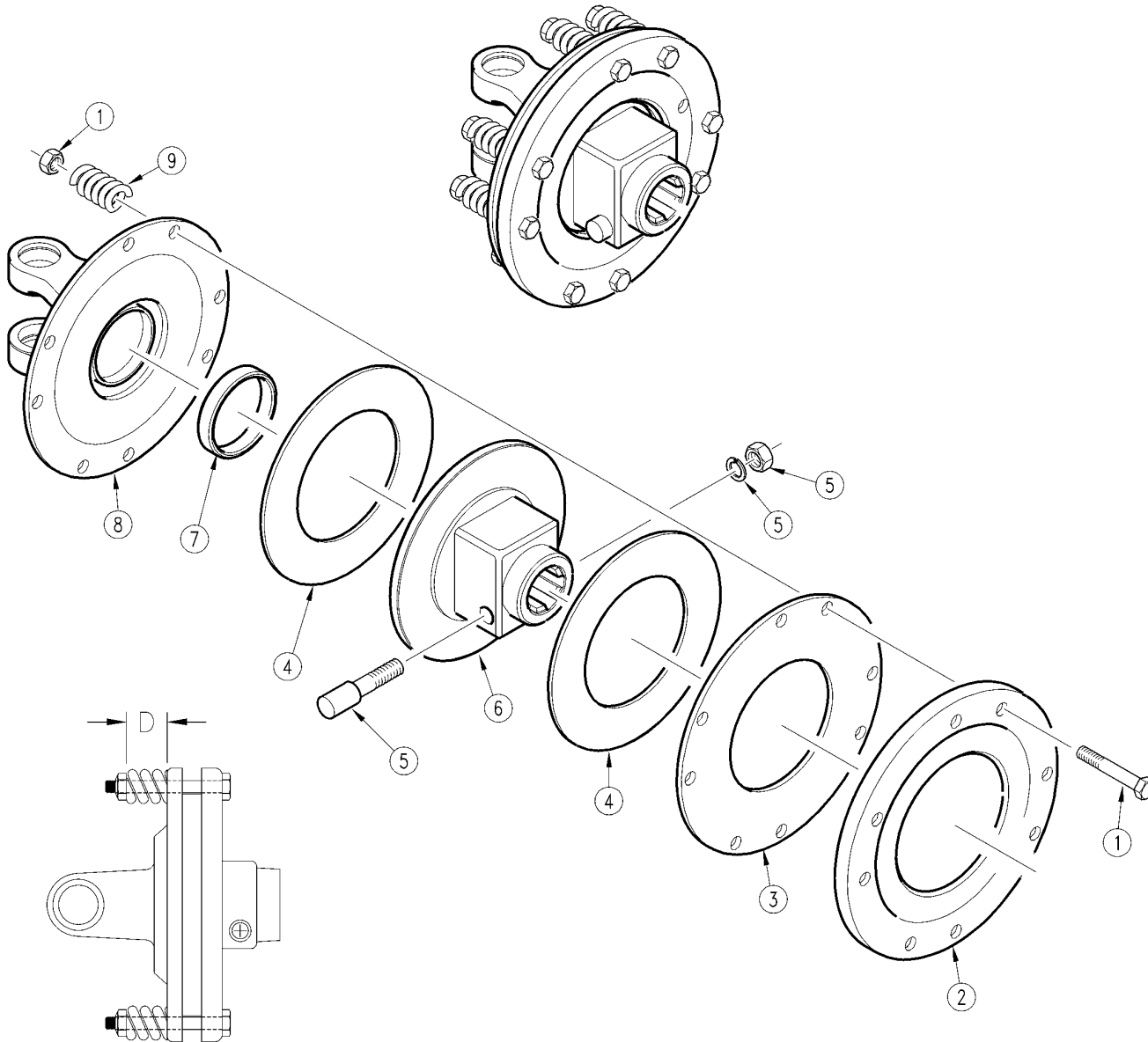
11113

***Driveline Slip Clutch (676548303) Bondioli (S/N 82427-)*****Applies to RCF45180**

<b>Ref</b>	<b>Part No.</b>	<b>Part Description</b>	<b>Comments</b>	<b>Revision</b>
	dwg11113	Drawing Image Number		
	676548303	RPBY 663G48403R *		
1.	676548303	BP TORQUE LIMITER		
2.	264630001	BP CLUTCH OUTER BODY		
3.	246000019	BP SCREEN RING		
4.	367002630	BP SPRING		
5.	303003400	BP SCREW		
6.	248630001	BP TIGHTENING PLATE		
7.	312-563D	CLUTCH FACING - BP INTERNAL		Rev. 2
7.	247006351	BP LINING	(RPBY 312-563D)	Rev 1; Use up stock
8.	515630301	BP SPLINED HUB		
9.	408000033	BP SCREW		
10.	253056301	BP FLANGE YOKE		

**Driveline Slip Clutch (638237001, 638248001 & 638248006) Bondioli**

Applies to RCF45180



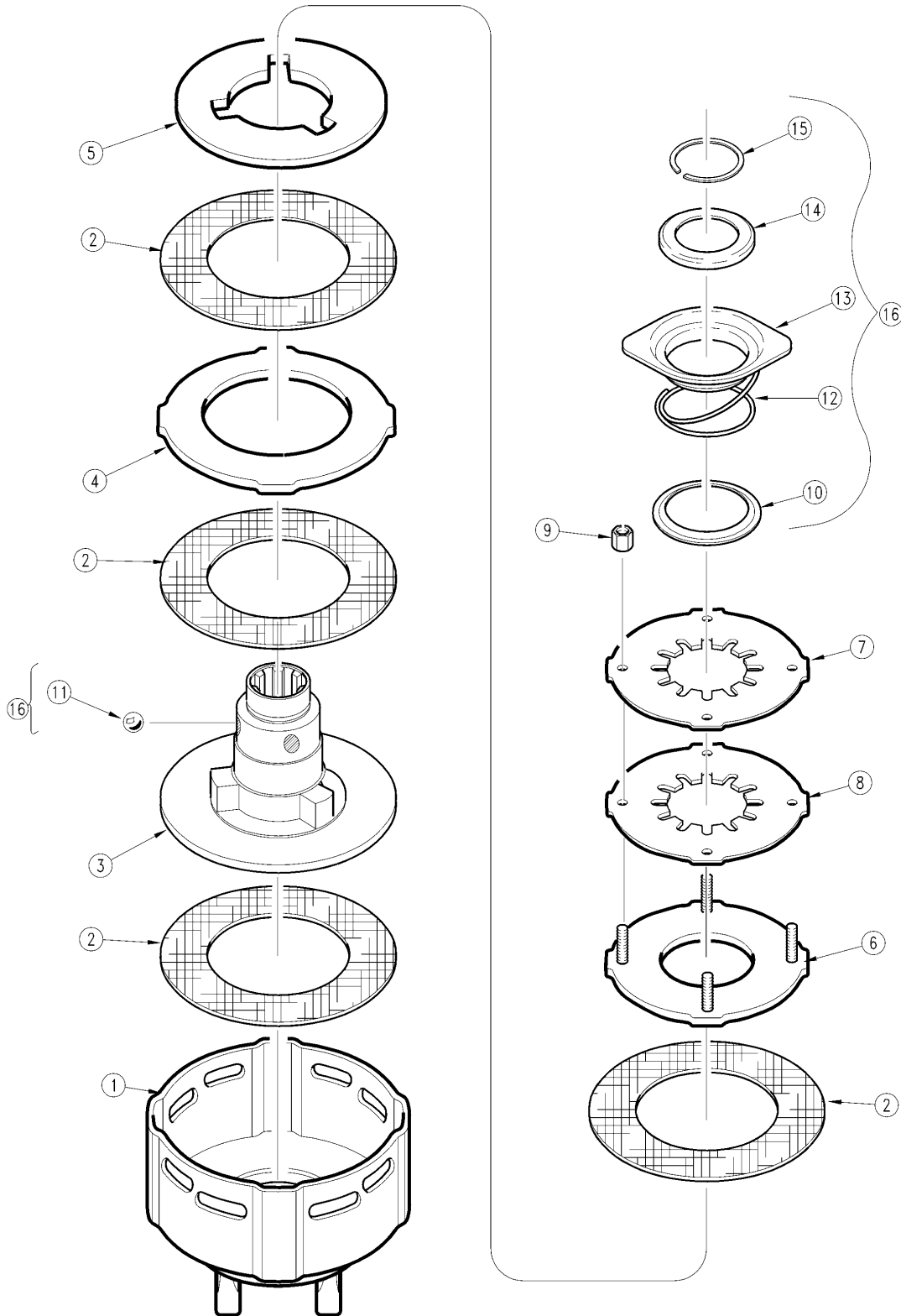
FACTORY CLUTCH SETTING			
PART NO.	DESCRIPTION	TORQUE SETTING	"D" DIM.
638237001	CENTER DECK - 1000 RPM	740 NM 545 FT/LBS	1 5/32"
638248001	CENTER DECK - 540 RPM	1220 NM 900 FT/LBS	1 1/16"
638248006	WING DECK	1040 NM 760 FT/LBS	1 1/8"

***Driveline Slip Clutch (638237001, 638248001 & 638248006) Bondioli*****Applies to RCF45180**

<b>Ref</b>	<b>Part No.</b>	<b>Part Description</b>	<b>Comments</b>	<b>Revision</b>
	dwg11534	Drawing Image Number		
	638237001	BP TORQUE LIMITER	Center Deck 1000 RPM	
	638248001	BP TORQUE LIMITER	Center Deck 540 RPM	
	638248006	BP TORQUE LIMITER	Wing Deck	
1.	432000006	BP SCREW (TORQUE LIMITER)		
2.	248230006	BP PRESSURE PLATE		
3.	248230002	BP INNER PLATE		
4.	247000060	BP LINING (TORQUE LIMITER)		Rev. 2
4.	247000061	RPBY 247000060		Rev 1; Use up stock
5.	408000060	BP TAPER PIN SCREW (KIT)		Rev. 2
5.	408000029	RPBY 408000060		Rev 1; Use up stock
6.	515210311	BP FLANGE HUB (TORQUE LIMITER)		
7.	258005320	BP BUSH (TORQUE LIMITER)		
8.	253052101	BP FLANGE YOKE 5		
9.	351022370	BP SPRING (TORQUE LIMITER)		

### Driveline Slip Clutch Wing (333919 & 053356)

Applies to RCF45180



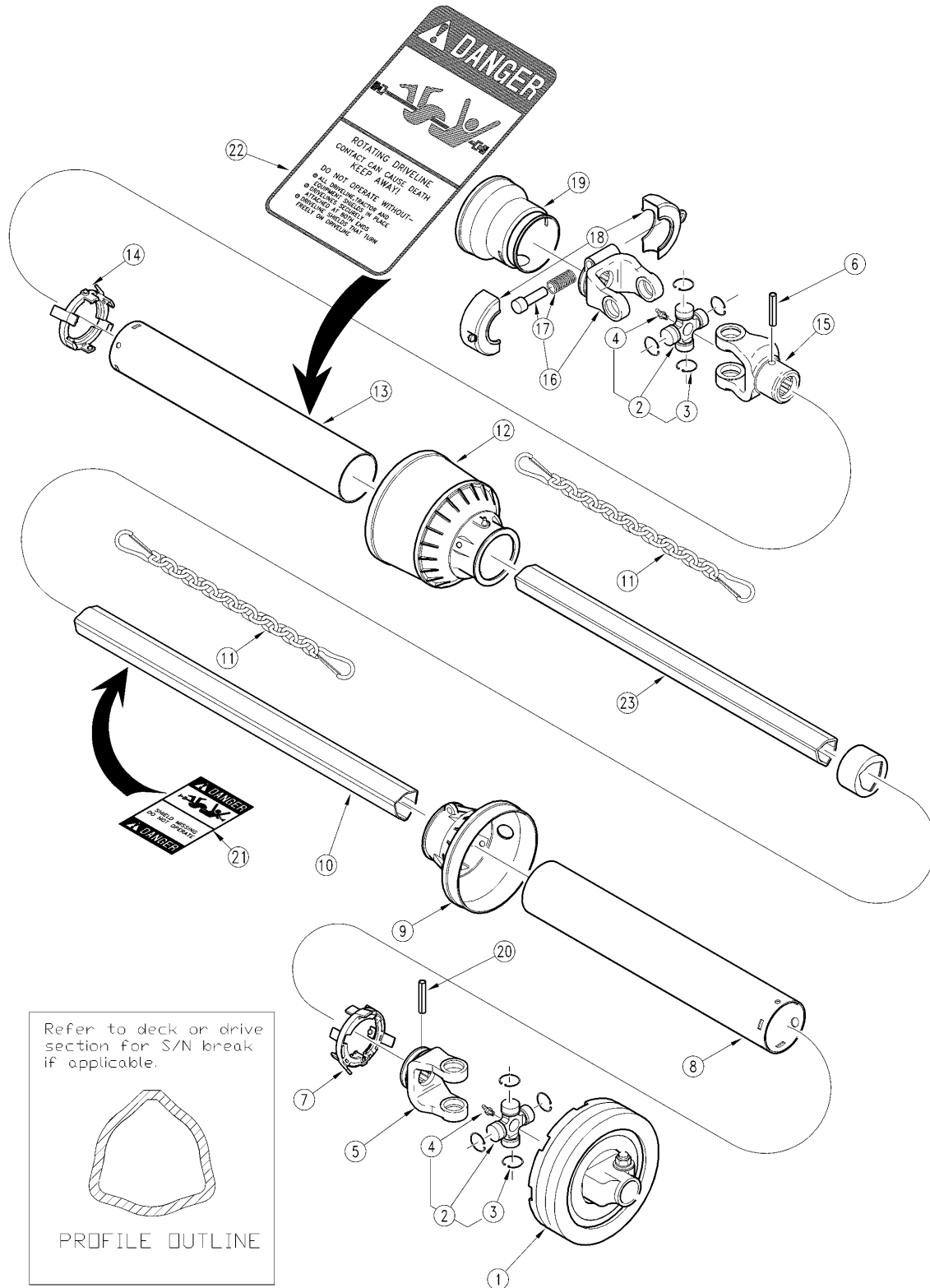
23829

**Driveline Slip Clutch Wing (333919 & 053356)****Applies to RCF45180**

Ref	Part No.	Part Description	Comments	Revision
	dwg23829	Drawing Image Number		
	333919	WS K92/4 CLUTCH 1200 NM 2400		
	053356	WS EK92/4 CLUTCH 1350 NM 2400		
1.	042446	WS CLUTCH HOUSING	540 RPM Yoke not included, Clutch #053356	
1.	320527	WS CLUTCH HOUSING	1000 RPM Clutch #333919 w/yoke	
2.	168556	WS FRICTION DISK		
3.	051554	WS HUB 1 3/8" - 6 SPL.		
4.	042454	WS DRIVE PLATE		
5.	042459	WS DRIVE PLATE		
6.	381495	WALTERSCHEID THRUST PLATE		
7.	043489	WS BELLEVILLE SPRING		
8.	043487	WALTERSCHEID BELLEVILLE SPRING	540 RPM Clutch #053356	
8.	045560	WS BELLEVILLE SPRING	1000 RPM Clutch #333919	
9.	381957	WALTERSCHEID HEX NUT M8		
10.	047825	WALTERSCHEID BACK UP RING		
11.	020692	WALTERSCHEID BALL		
12.	045793	WALTERSCHEID COMPRESSION SPRNG		
13.	045790	WALTERSCHEID LOCK COLLAR		
14.	338531	WS FLANGED RING		
15.	304149	WS SNAP RING		
16.	341953	WS Q.D. FLG. KIT		

**Driveline Wing (826-079C) (S/N 82427-)**

Applies to RCF45180



11138

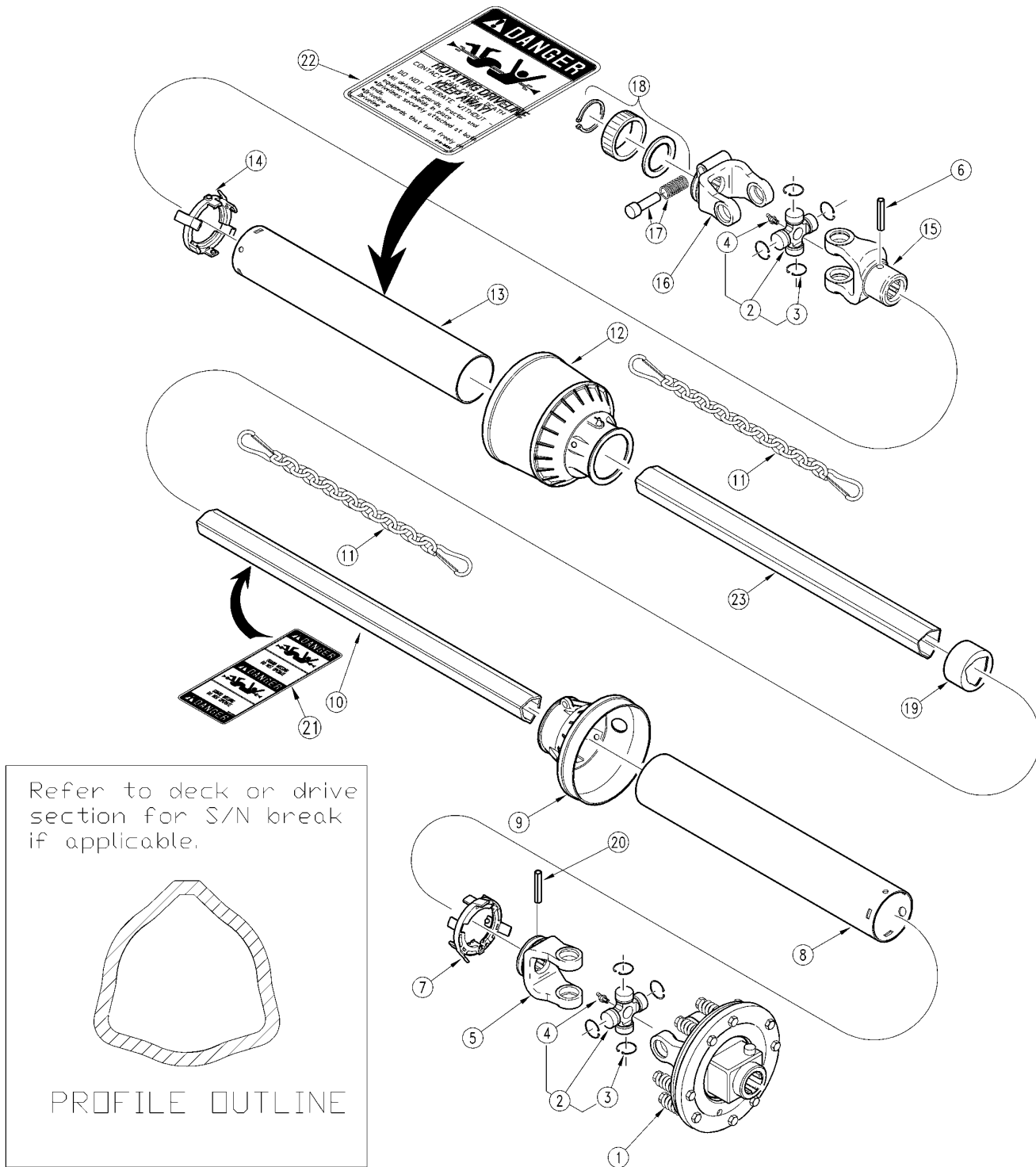


**Driveline Wing (826-079C) (S/N 82427-)****Applies to RCF45180**

Ref	Part No.	Part Description	Comments	Revision
	dwg11138	Drawing Image Number		
	826-079C	RPBY 826-096C		
1.	676548303	BP TORQUE LIMITER		
2.	41205	BP CROSS JOURNAL ASSY		
3.	338020000	BP SNAP RING		
4.	348004000	BP GREASE ZERK		
5.	204056860	BP OUTER TUBE YOKE		
6.	341002000	BP ROLL PIN		
7.	255050005	BP OUTER BEARING		
8.	236631080	BP SAFETY TUBE		
9.	517050008	BP CONE WITH COLLAR		
10.	224701283	BP CARDAN TUBE		Rev. 2
10.	224701143	RPBY 224701283		Rev 1; Use up stock
11.	252000001	BP SAFETY CHAIN		
12.	517050091	BP CONE WITH COLLAR		
13.	237005357	BP SAFETY TUBE		
14.	255050006	BP INNER BEARING		
15.	204056861	BP INNER TUBE YOKE		
16.	510050351	BP YOKE		
17.	403000001	BP COMPLETE PUSH BUTTON		
18.	255050009	BP RING NUT		
19.	254050007	BP SAFETY CONE		
20.	341043000	BP ROLL PIN		
21.	399141000	BP DECAL - ENTANGLEMENT		
22.	399143000	BP DECAL - SHIELD MISSING		
23.	270161290	BP INNER TB SIZE 6X1290 MM HT		Rev. 3
23.	270111290	BP CRDN TB-INR	(RPBY 270161290)	Rev 2; Use up stock
23.	244111150	BP CARDAN TUBE	(RPBY 270111290)	Rev 1; Use up stock

**Driveline Wing (826-096C) (S/N 82428 to 115260)**

Applies to RCF45180



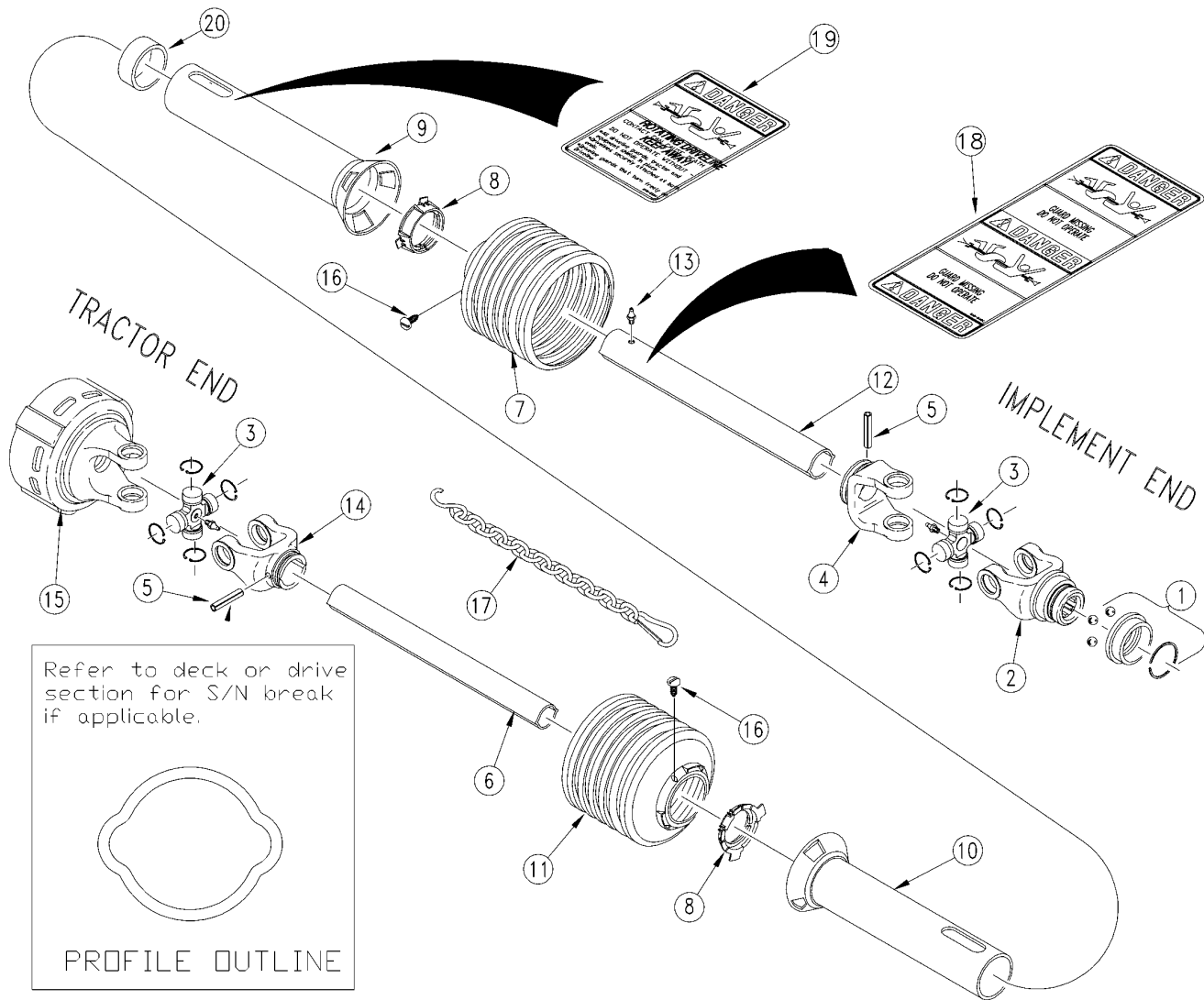
11620

**Driveline Wing (826-096C) (S/N 82428 to 115260)****Applies to RCF45180**

Ref	Part No.	Part Description	Comments	Revision
	dwg11620	Drawing Image Number		
	826-096C	RPBY 826-116C		
1.	638248006	BP TORQUE LIMITER		
2.	41205	BP CROSS JOURNAL ASSY		
3.	338020000	BP SNAP RING		
4.	348004000	BP GREASE ZERK		
5.	204056861	BP INNER TUBE YOKE		
6.	341053000	BP ROLL PIN		
7.	255050006	BP INNER BEARING		
8.	237005311	BP SAFETY TUBE		
9.	517050099	BP CONE WITH COLLAR		
10.	270161290	BP INNER TB SIZE 6X1290 MM HT		Rev. 3
10.	270111290	BP CRDN TB-INR	(RPBY 270161290)	Rev 2; Use up stock
10.	244111150	BP CARDAN TUBE	(RPBY 270111290)	Rev 1; Use up stock
11.	252000001	BP SAFETY CHAIN		
12.	517050098	BP CONE WITH COLLAR		
13.	236631220	BP SAFETY TUBE		
14.	255050005	BP OUTER BEARING		
15.	204056860	BP OUTER TUBE YOKE		
16.	572050351	BP YOKE		
17.	403000001	BP COMPLETE PUSH BUTTON		
18.	240003051	BP COMPLETE SLEEVE		
19.	259006804	BP RING NUT		
20.	341002000	BP ROLL PIN		
21.	399143000	BP DECAL - SHIELD MISSING		
22.	399141000	BP DECAL - ENTANGLEMENT		
23.	224701283	BP CARDAN TUBE		

### Driveline Wing (826-116C) (S/N 115261+)

Applies to RCF45180

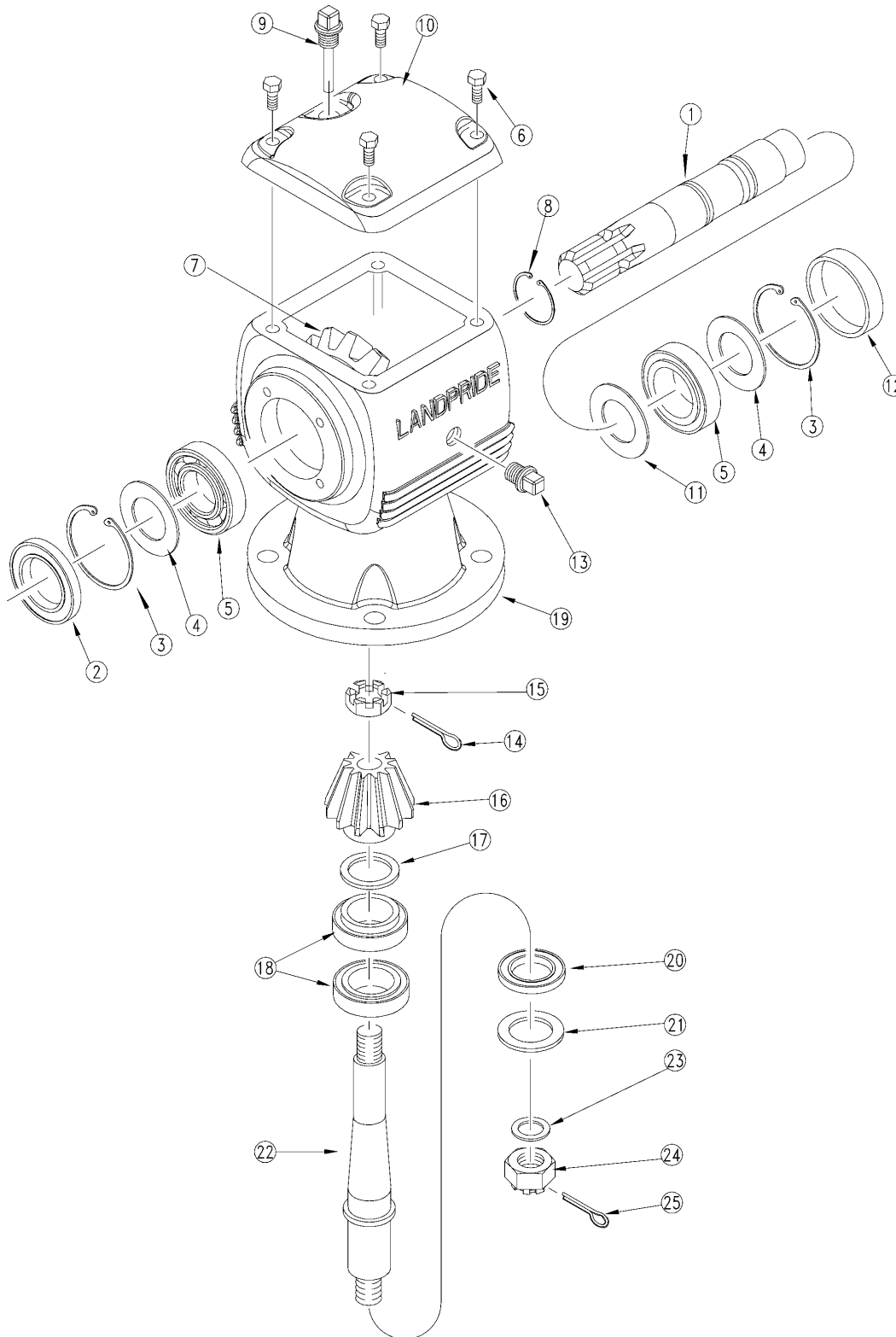


**Driveline Wing (826-116C) (S/N 115261+)****Applies to RCF45180**

<b>Ref</b>	<b>Part No.</b>	<b>Part Description</b>	<b>Comments</b>	<b>Revision</b>
	dwg12381	Drawing Image Number		
	826-116C	PTO 2400 X 49.61 W/CLUTCH		
1.	381908	WS QUICK DISCONNECT KIT		
2.	380907	WS YOKE 1 3/8-6 SPL AS		
3.	312410	WS CROSS BEARING KIT		
4.	019519	WS INBOARD YOKE		
5.	020617	WS SPRING PIN 10 X 20		
6.	315892	WS INNER PROFILE 1B 2400		
7.	377336	WS SHIELD CONE 6 RIB		
8.	087276	WS BEARING RING - SC25		
9.	383052	WS INNER SHIELD TUBE RND		
10.	384348	WS OUTER SHIELD TUBE OVAL		
11.	377436	WS SHIELD CONE - 6 RIB		
12.	384202	WS PROFILE & SLEEVE W.A.1B/2AL		
13.	380371	WS ZERK		
14.	019518	WS INBOARD YOKE		
15.	333919	WS K92/4 CLUTCH 1200 NM 2400		
16.	365305	WALTERSCHEID SCREW		
17.	044321	WALTERSCHEID SAFETY CHAIN		
18.	818-540C	DECAL DANGER GUARD MISS PTO		
19.	818-552C	DECAL DANGER PTO DRIVELINE		
20.	355155	WS SUPPORT BEARING		

**Gearbox 540 RPM (826-376C)**

Applies to RCF45180



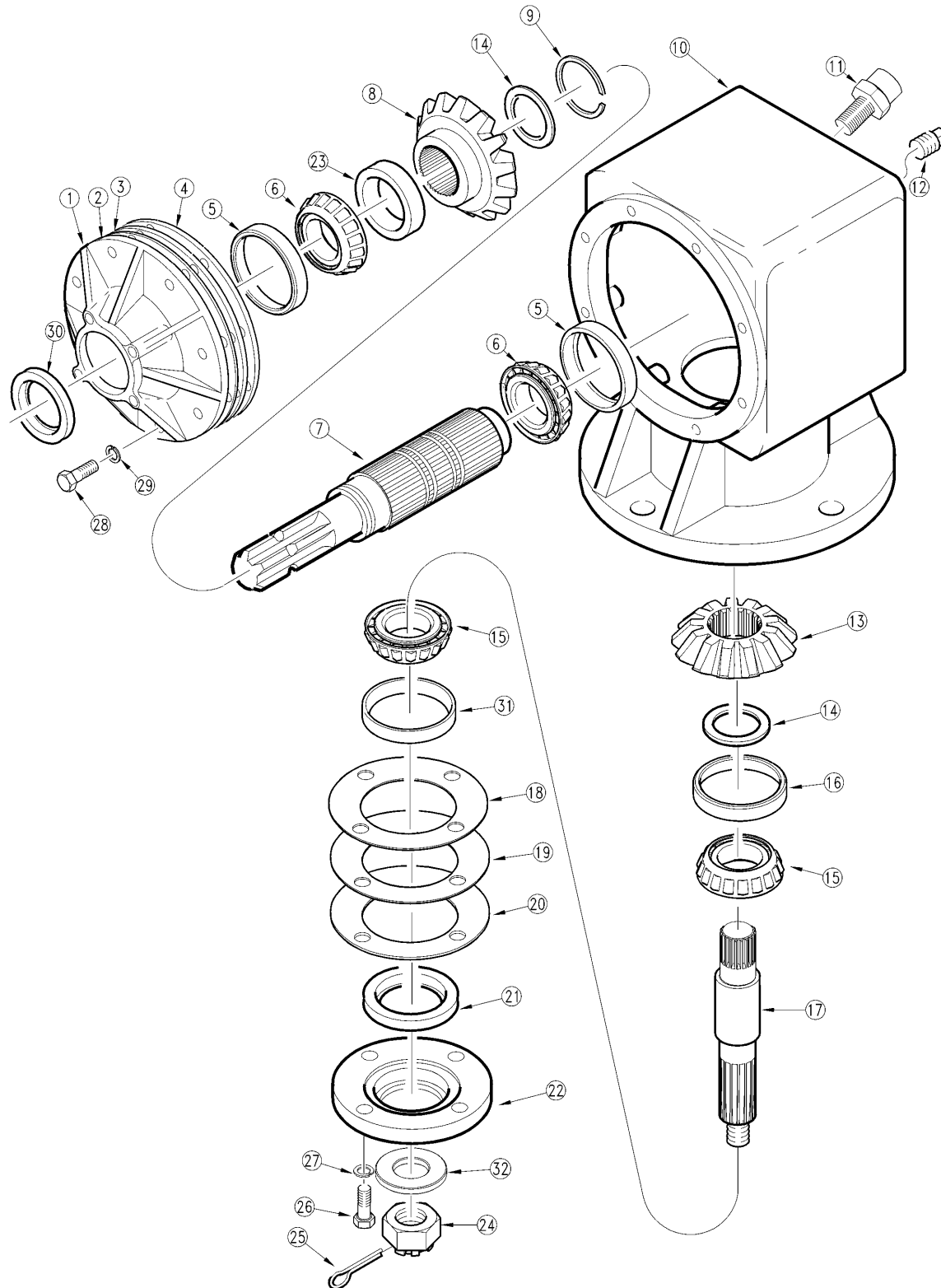
21186

**Gearbox 540 RPM (826-376C)****Applies to RCF45180**

<b>Ref</b>	<b>Part No.</b>	<b>Part Description</b>	<b>Comments</b>	<b>Revision</b>
	dwg21186	Drawing Image Number		
	826-376C	Gearbox 540 RPM		
1.	0.210.2000.00	CO INPUT SHAFT 1.38-6		
2.	8.7.3.00331	CO OIL SEAL 45 X 85 X 10		
3.	8.5.2.00332	CO SNAP RING UNI 7437		
4.	0.709.7500.00	CO SHIM 84.7		
5.	8.0.9.00143	CO BEARING 30209 RTA25		
6.	8.1.1.00501	CO BOLT M8X22 HHB		
7.	0.210.6001.00	CO GEAR CROWN Z23 M6		
8.	8.5.1.00533	CO SNAP RING 50 UNI7435		
9.	0.210.7100.00	CO 3/8 GAS OIL VENT LEVEL PG.		
10.	0.210.1300.00	CO COVER		
11.	0.252.7525.00	CO SHIM 45.3X2.5		
12.	0.121.7101.00	CO CAP		
13.	8.6.6.00201	CO PLUG 3/8 GAS		
14.	8.4.7.02265	CO COTTER PIN B 5X60		
15.	0.132.7106.00	CO NUT M30 X 1.5		
16.	0.210.5001.00	CO PINION Z16 M6		
17.	0.712.7500.00	CO SHIM 50.3X70.3		
18.	04-011	ITG BEARING ASSEMBLY		
19.	0.210.0300.00	CO CASTING & MACHINE		
20.	8.7.1.01107	CO SEAL (50x90x10)		
21.	0.139.7100.00	CO SEAL RETAINER		
22.	0.210.3001.00	CO OUTPUT SHAFT		
23.	0.139.7101.00	CO BLANK WASHER		
24.	8.2.2.00555	CO NUT, CASTLE M30 X 2		
25.	8.4.7.00146	CO COTTER PIN B6 X 60		

# Gearbox Center & Left Deck 540 RPM (826-035C) OMNI

Applies to RCF45180



26951

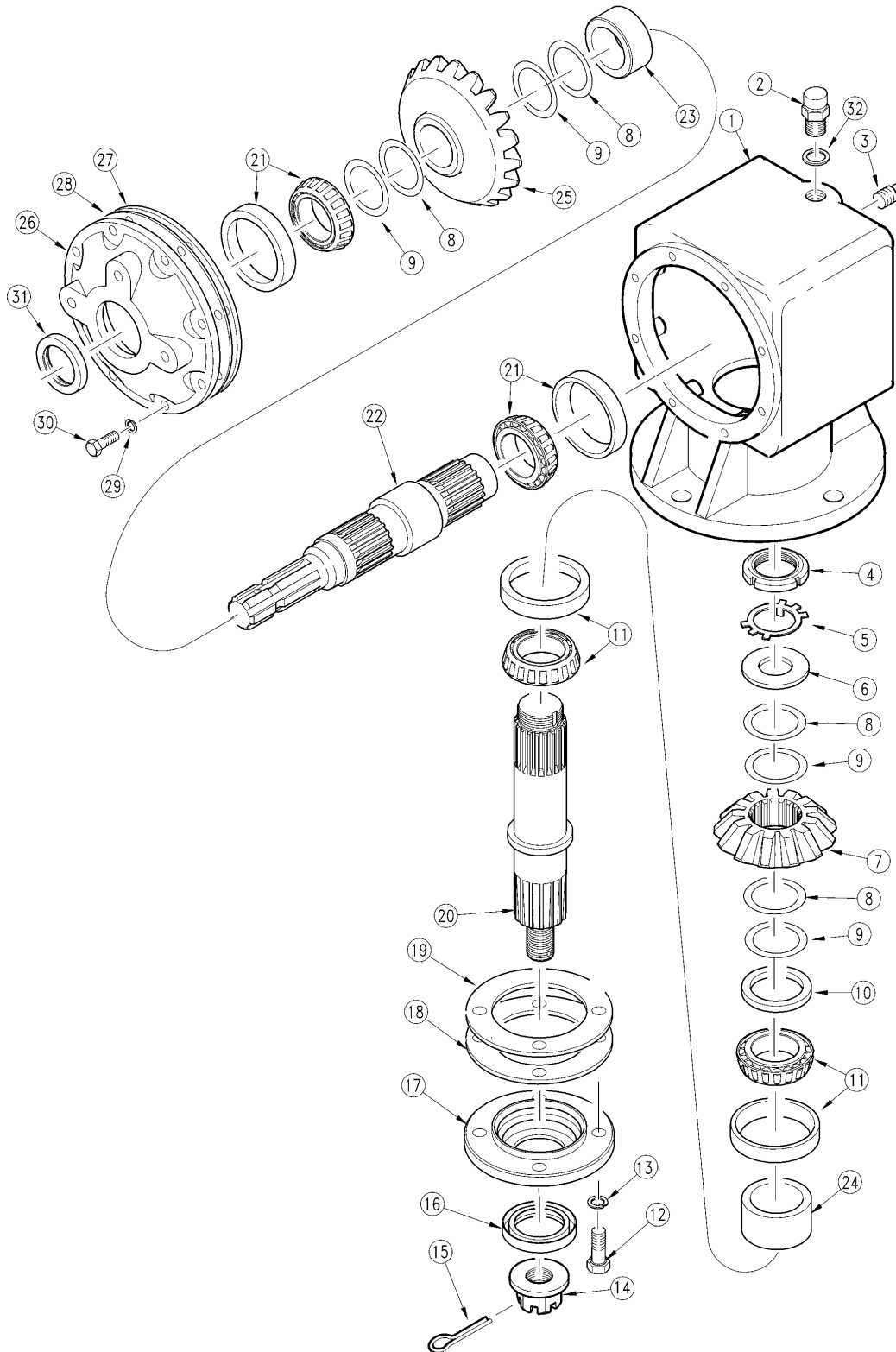


***Gearbox Center & Left Deck 540 RPM (826-035C) OMNI*****Applies to RCF45180**

<b>Ref</b>	<b>Part No.</b>	<b>Part Description</b>	<b>Comments</b>	<b>Revision</b>
	dwg26951	Drawing Image Number		
	826-035C	GEARBOX RC71SS 1:1.46 INCREASE		
1.	020162	OMNI INPUT CAP		
2.	070142	OMNI GASKET 0.10MMI		
3.	070141	OMNI GASKET 0.15MM		
4.	070140	OMNI GASKET 0.30MM		
5.	050013	OMNI BEARING CUP - LM 603014		
6.	050012	OMNI BEARING CONE -LM603049		
7.	040135	OMNI INPUT SHAFT		
8.	030039	INPUT GEAR - 19 T., OMNI		
9.	200003	OMNI RETAINING RING		
10.	010160	OMNI HOUSING RC71SS		
11.	140033	OMNI PLUG VENT 1/2"		
12.	140017	OMNI PLUG PIPE SQ HEAD 1/8"		
13.	030038	OUTPUT PINION - 13 T., OMNI		
14.	090073	OMNI SHIM .25		
15.	050008	OMNI BEARING CONE - 368		
16.	050014	BEARING CUP - 362A, OMNI		
17.	040112	OUTPUT SHAFT, OMNI		
18.	070145	OMNI GASKET 0.10MM		
19.	070144	OMNI GASKET 0.15MM		
20.	070143	OMNI GASKET 0.30MM		
21.	060004	OMNI OUTPUT SEAL		
22.	020005	OMNI OUTPUT CAP		
23.	090055	SPACER, OMNI		
24.	803-095C	NUT HEX SLOTTED 1-14		
25.	805-017C	PIN COTTER 3/16 X 1 3/4 PLT		
26.	802-091C	HHCS 1/2-13X1 1/2 GR5		
27.	804-015C	WASHER LOCK SPRING 1/2 PLT		
28.	802-079C	HHCS 3/8-16X1 1/4 GR5		
29.	804-013C	WASHER LOCK SPRING 3/8 PLT		
30.	060005	INPUT SEAL, OMNI		
31.	050015	BEARING CUP - 362, OMNI		
32.	804-070C	FLAT WASHER 1 SPECIAL		

# Gearbox Center & Left Deck 540 RPM (826-069C) ITG

Applies to RCF45180



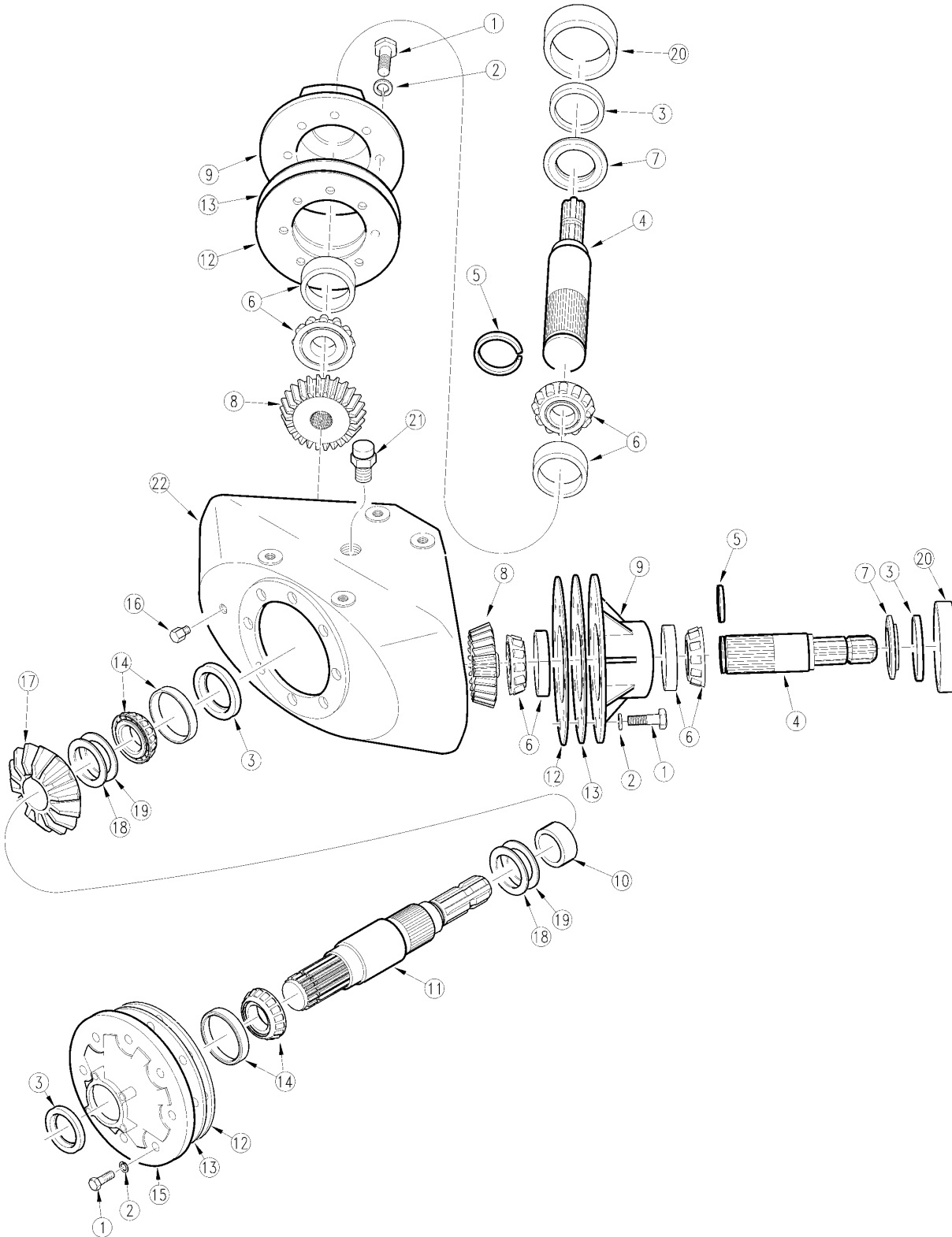
10247

**Gearbox Center & Left Deck 540 RPM (826-069C) ITG****Applies to RCF45180**

Ref	Part No.	Part Description	Comments	Revision
	dwg10247	Drawing Image Number		
	826-069C	RPBY 826-035C		
1.	18-001	ITG HOUSING		
2.	09-011	ITG M18 PIPE PLUG VENTED		
2.	09-008	ITG 1/2-14NPT PRES-RELIEF PLUG		
3.	09-012	ITG M18 X 1.5P PLUG (NON-VENT)		
3.	09-005	ITG 1/8-27 PIPE PLUG		
4.	11-003	ITG BEARING ADJUSTING NUT		
4.	11-012	ITG BEARING ADJ. NUT		
5.	07-004	ITG BEARING NUT LOCKWASHER	Not used with 11-012	
6.	07-006	ITG FLAT WASHER	Not used with 11-012	
7.	03-008	ITG 13 TOOTH OUTPUT GEAR		
8.	17-003	ITG GEAR ADJUSTING SHIM 0.50		
9.	17-002	ITG GEAR ADJUSTING SHIM 0.30		
10.	10-016	ITG GEAR MOUNTING SPACER		
11.	04-011	ITG BEARING ASSEMBLY		
12.	06-002	ITG M12 X 1.75 X 38 CAP SCREW		
13.	07-002	ITG M12 LOCKWASHER		
14.	11-008	ITG 1-14 FLANGED HEX NUT		
15.	805-017C	PIN COTTER 3/16 X 1 3/4 PLT		
16.	05-008	ITG OUTPUT SHAFT OIL SEAL		
17.	20-002	ITG OUTPUT CAP		
18.	08-002	ITG OUTPUT CAP GASKET 0.25MM		
19.	08-001	ITG OUTPUT CAP GASKET 0.10MM		
20.	02-004	ITG STD 75 OUTPUT SHAFT		
21.	04-017	ITG BEARING ASSEMBLY		
22.	02-002	ITG INPUT SHAFT		
23.	10-001	ITG SPACER		
24.	10-003	ITG OUTPUT BEARING SPACER		
25.	03-009	ITG INPUT GEAR 19 TOOTH		
26.	20-001	ITG INPUT CAP		
27.	08-007	ITG INPUT CAP GASKET 0.25MM		
28.	08-006	ITG INPUT CAP GASKET 0.10MM		
29.	07-001	ITG M10 LOCKWASHER		
30.	06-003	ITG M10 X 1.5 X 30 CAP SCREW		
31.	05-007	ITG INPUT SHAFT OIL SEAL		
32.	07-022	ITG SEALING WASHER		

**Gearbox Divider 540 RPM (826-068C) ITG (S/N 111502-)**

**Applies to RCF45180**



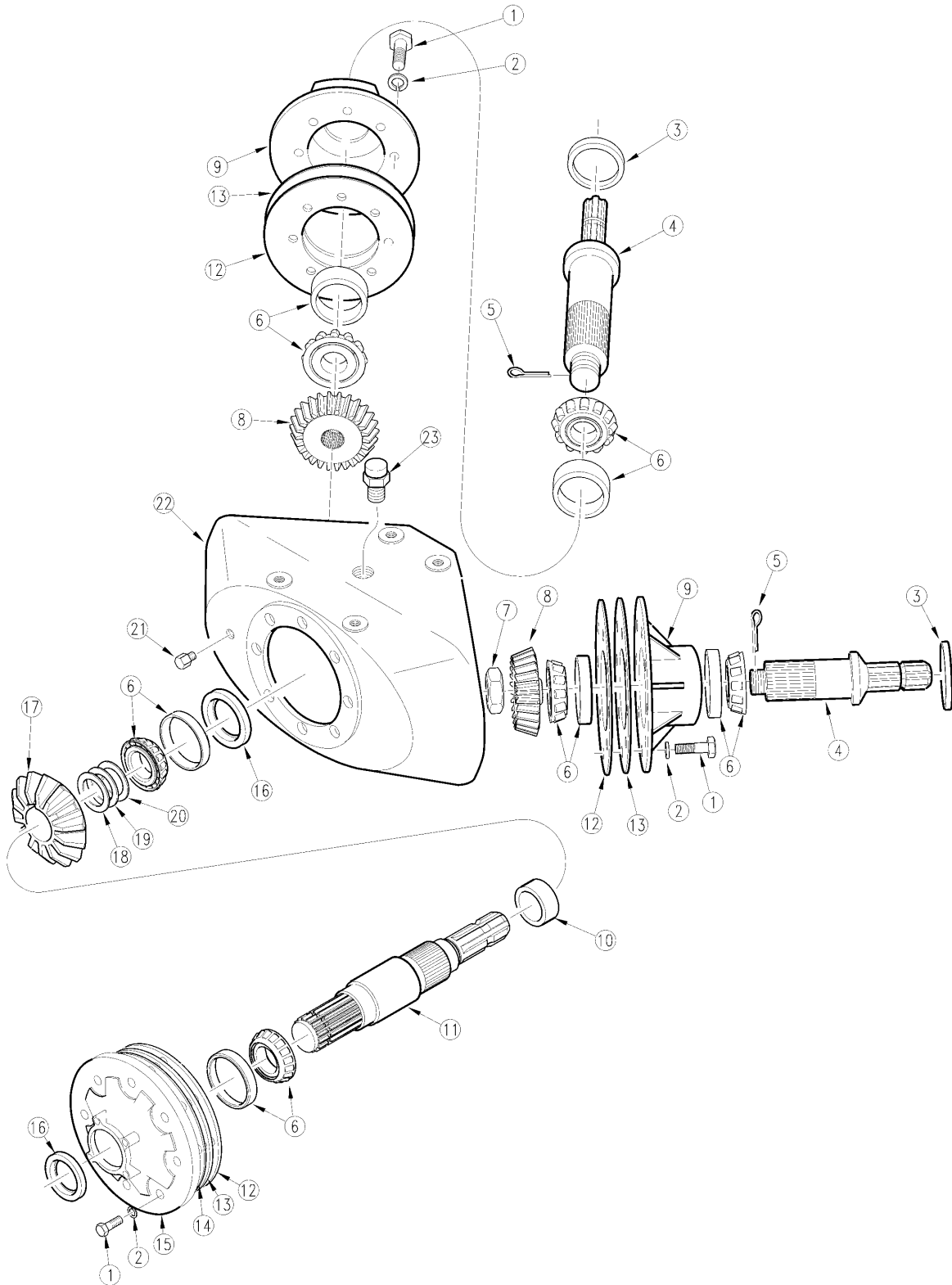
14331

***Gearbox Divider 540 RPM (826-068C) ITG (S/N 111502-)*****Applies to RCF45180**

<b>Ref</b>	<b>Part No.</b>	<b>Part Description</b>	<b>Comments</b>	<b>Revision</b>
	dwg14331	Drawing Image Number		
	826-068C	RPBY 826-242C		
1.	06-003	ITG M10 X 1.5 X 30 CAP SCREW		
2.	07-001	ITG M10 LOCKWASHER		
3.	05-007	ITG INPUT SHAFT OIL SEAL		
4.	02-014	ITG HORIZONTAL OUTPUT SHAFT		
5.	21-001	ITG RETAINING RING		
6.	04-011	ITG BEARING ASSEMBLY		
7.	11-001	ITG M55 X 1.5 ADJUSTING NUT		
8.	03-022	ITG GEAR 20 TOOTH		
9.	20-009	ITG HORIZONTAL HUB CAP		
10.	10-015	ITG INPUT SHAFT SPACER		
11.	02-032	ITG INPUT SHAFT		
12.	08-006	ITG INPUT CAP GASKET 0.10MM	Varies	
13.	08-007	ITG INPUT CAP GASKET 0.25MM	Varies	
14.	04-017	ITG BEARING ASSEMBLY		
15.	20-001	ITG INPUT CAP		
16.	09-005	ITG 1/8-27 PIPE PLUG		
17.	03-023	ITG GEAR 23 TOOTH		
18.	17-002	ITG GEAR ADJUSTING SHIM 0.30	Varies	
19.	17-003	ITG GEAR ADJUSTING SHIM 0.50	Varies	
20.	19-003	ITG SEAL ADAPTER		
21.	09-008	ITG 1/2-14NPT PRES-RELIEF PLUG		
22.	18-014	ITG HOUSING		

**Gearbox Divider 540 RPM (826-068C) ITG (S/N 111503+)**

Applies to RCF45180



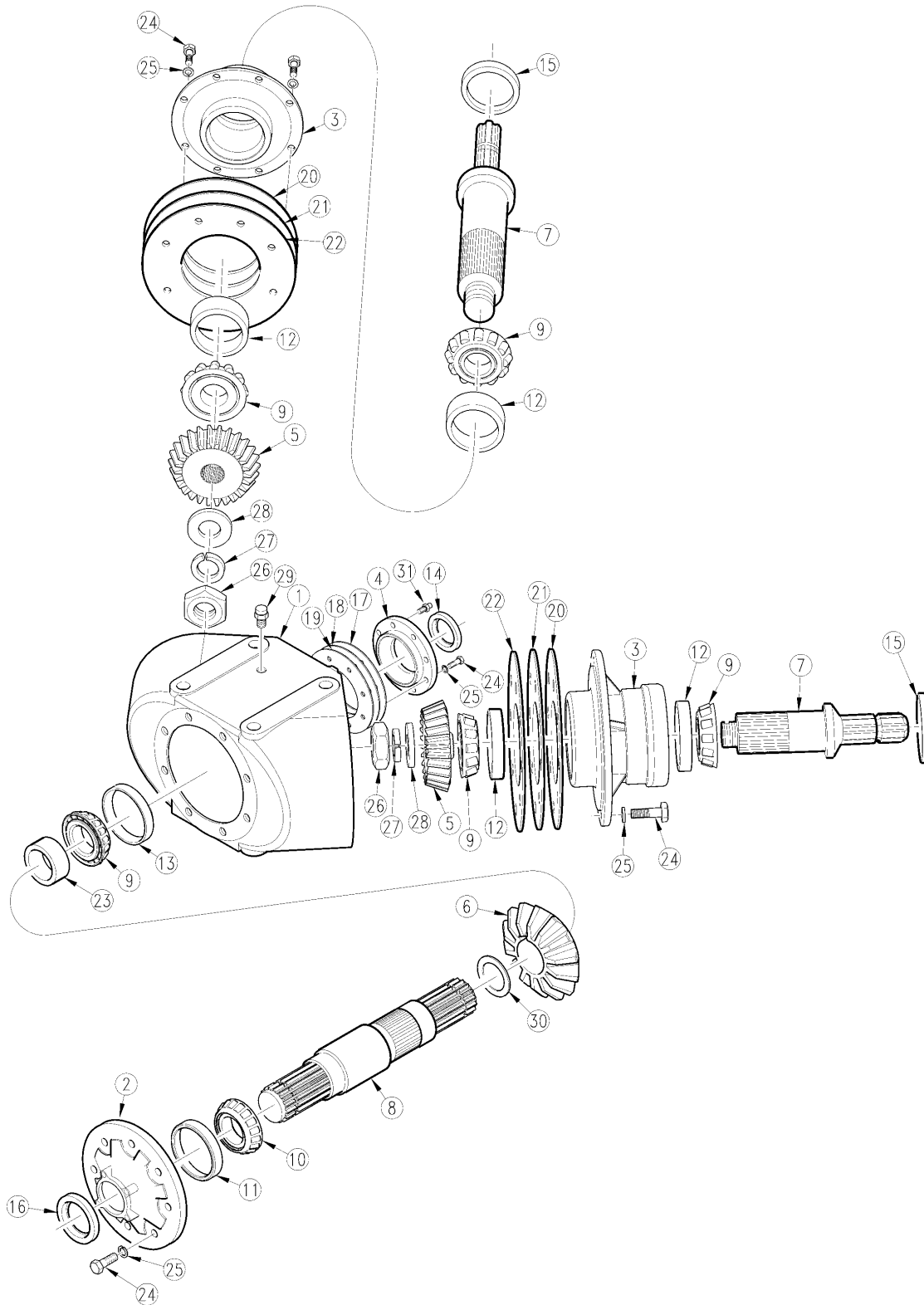
13870

***Gearbox Divider 540 RPM (826-068C) ITG (S/N 111503+)*****Applies to RCF45180**

<b>Ref</b>	<b>Part No.</b>	<b>Part Description</b>	<b>Comments</b>	<b>Revision</b>
	dwg13870	Drawing Image Number		
	826-068C	RPBY 826-242C		
1.	06-003	ITG M10 X 1.5 X 30 CAP SCREW		
2.	07-001	ITG M10 LOCKWASHER		
3.	05-012B	ITG OUTPUT SEAL 58X95X10 THK	Measurement is required before ordering	
3.	05-012A	ITG OUTPUT SEAL 60X95X10 THK	Measurement is required before ordering	
4.	02-017	ITG HORIZONTAL OUTPUT SHAFT		
5.	12-008	ITG COTTER PIN		
6.	04-011	ITG BEARING ASSEMBLY		
7.	11-012	ITG BEARING ADJ. NUT		
8.	03-040	ITG 20 TOOTH GEAR		
9.	20-018	ITG HORIZONTAL HUB CAP		
10.	10-001	ITG SPACER		
11.	02-005	ITG INPUT SHAFT SPLITTER BOX		
12.	08-006	ITG INPUT CAP GASKET 0.10MM	Varies	
13.	08-007	ITG INPUT CAP GASKET 0.25MM	Varies	
14.	08-008	ITG IN & OUT CAP GASKET 0.45MM	Varies	
15.	20-019	ITG INPUT CAP SPLITTER BOX		
16.	05-007	ITG INPUT SHAFT OIL SEAL		
17.	03-041	ITG 23 TOOTH GEAR		
18.	17-002	ITG GEAR ADJUSTING SHIM 0.30	Varies	
19.	17-001	ITG SHIM 0.4 (Varies)		
20.	17-003	ITG GEAR ADJUSTING SHIM 0.50	Varies	
21.	09-012	ITG M18 PIPE PLUG		
22.	18-022	ITG SPLITTER BOX HOUSING		
23.	09-011	ITG M18 PIPE PLUG VENTED		

# Gearbox Divider 540 RPM (826-242C) OMNI

Applies to RCF45180



16456

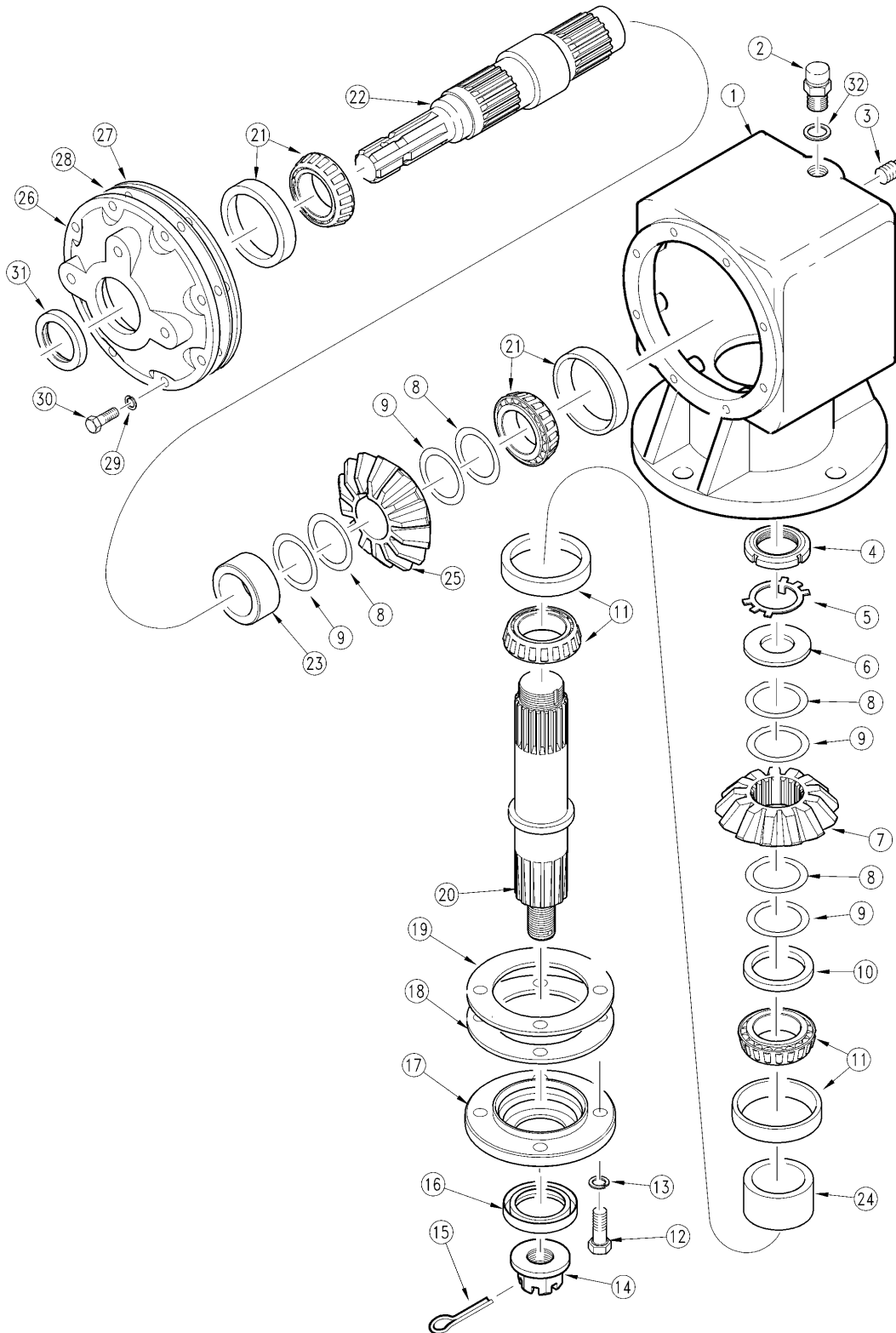


***Gearbox Divider 540 RPM (826-242C) OMNI*****Applies to RCF45180**

<b>Ref</b>	<b>Part No.</b>	<b>Part Description</b>	<b>Comments</b>	<b>Revision</b>
	dwg16456	Drawing Image Number		
	826-242C	DIV. BOX RCD101 1.75-20 1:1.15		
1.	010063	OMNI HOUSING RCD101HD		
2.	020162	OMNI INPUT CAP		
3.	020061	OMNI CANTILEVERED OUTPUT CAP		
4.	020110	OMNI OUTPUT CAP		
5.	030192	OMNI GEAR, 23T		
6.	030191	OMNI PINION, 20T		
7.	040074	OMNI OUTPUT SHAFT 1.36-6A SHRT		
8.	040123	OMNI INPUT SHAFT		
9.	050008	OMNI BEARING CONE - 368		
10.	050012	OMNI BEARING CONE -LM603049		
11.	050013	OMNI BEARING CUP - LM 603014		
12.	050014	BEARING CUP - 362A, OMNI		
13.	050015	BEARING CUP - 362, OMNI		
14.	060005	INPUT SEAL, OMNI		
15.	060020	OMNI OUTPUT SEAL		
16.	060051	OMNI THRU SHAFT SEAL		
17.	070057	OMNI GASKET, 0.30MM		
18.	070058	OMNI GASKET, 0.15MM		
19.	070151	OMNI INPUT GASKET, 0.10MM		
20.	070140	OMNI GASKET 0.30MM		
21.	070141	OMNI GASKET 0.15MM		
22.	070142	OMNI GASKET 0.10MM		
23.	090003	SPACER, OMNI		
24.	802-079C	HHCS 3/8-16X1 1/4 GR5		
25.	804-013C	WASHER LOCK SPRING 3/8 PLT		
26.	120025	OMNI LOCKNUT, TN-06		
27.	130030	OMNI LOCKWASHER, TW-06		
28.	130021	OMNI FLAT WASHER		
29.	140033	OMNI PLUG VENT 1/2-14 NPTF		
30.	200003	OMNI RETAINING RING		
31.	140017	OMNI PLUG PIPE SQ HD1/8-27NPTF		

**Gearbox Right Deck 540 RPM (826-070C) ITG**

Applies to RCF45180



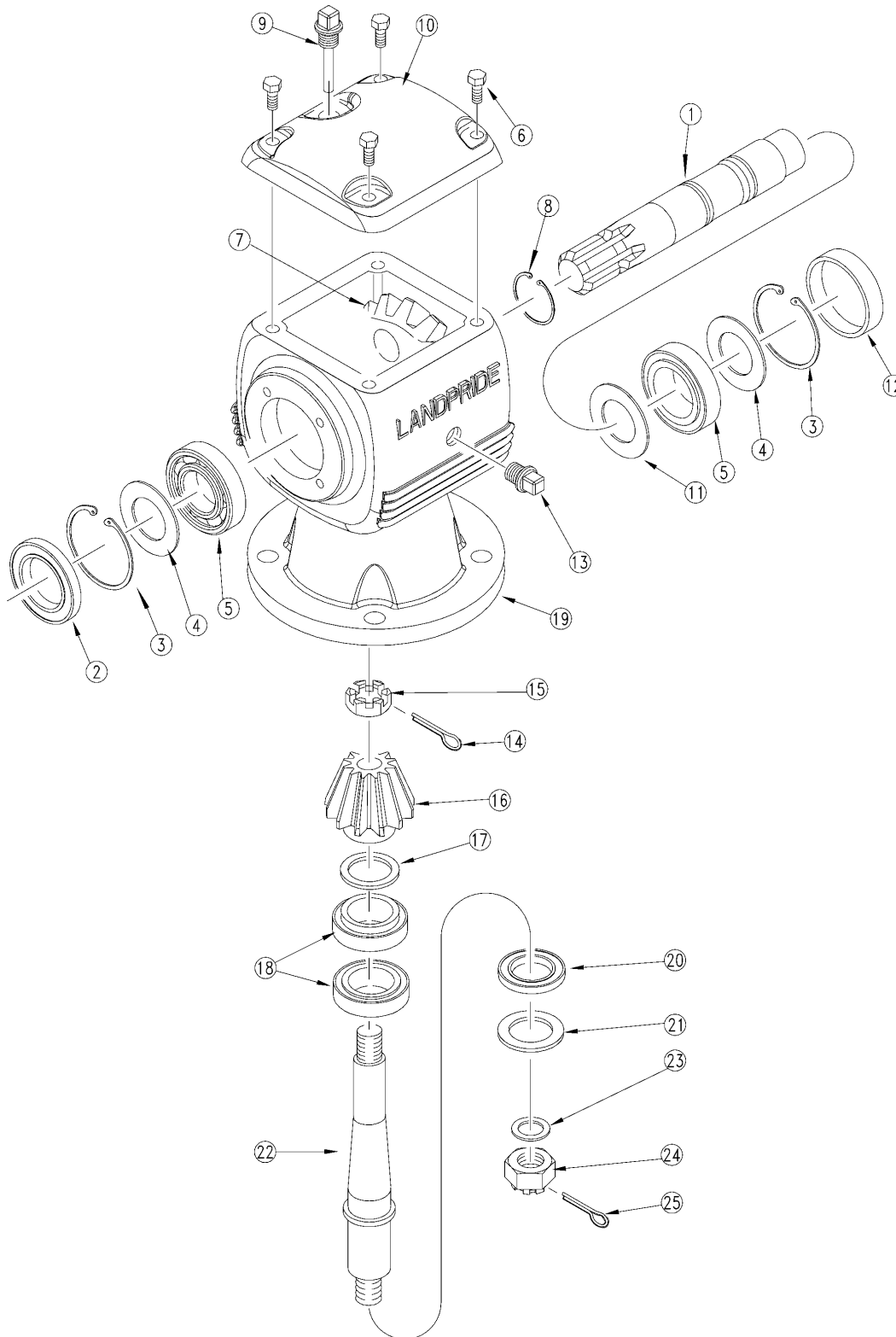
13898

**Gearbox Right Deck 540 RPM (826-070C) ITG****Applies to RCF45180**

Ref	Part No.	Part Description	Comments	Revision
	dwg13898	Drawing Image Number		
	826-241C	GBOX RC71 1-3/8"-6A 1:1.46 CCW		
	826-070C	RPBY 826-241C		
		*		
1.	18-001	ITG HOUSING		
2.	09-011	ITG M18 PIPE PLUG VENTED		
2.	09-008	ITG 1/2-14NPT PRES-RELIEF PLUG		
3.	09-012	ITG M18 X 1.5P PLUG (NON-VENT)		
3.	09-005	ITG 1/8-27 PIPE PLUG		
4.	11-003	ITG BEARING ADJUSTING NUT		
4.	11-012	ITG BEARING ADJ. NUT		
5.	07-004	ITG BEARING NUT LOCKWASHER	Not used with 11-012	
6.	07-006	ITG FLAT WASHER	Not used with 11-012	
7.	03-008	ITG 13 TOOTH OUTPUT GEAR		
8.	17-003	ITG GEAR ADJUSTING SHIM 0.50		
9.	17-002	ITG GEAR ADJUSTING SHIM 0.30		
10.	10-016	ITG GEAR MOUNTING SPACER		
11.	04-011	ITG BEARING ASSEMBLY		
12.	06-002	ITG M12 X 1.75 X 38 CAP SCREW		
13.	07-002	ITG M12 LOCKWASHER		
14.	11-008	ITG 1-14 FLANGED HEX NUT		
15.	805-017C	PIN COTTER 3/16 X 1 3/4 PLT		
16.	05-008	ITG OUTPUT SHAFT OIL SEAL		
17.	20-002	ITG OUTPUT CAP		
18.	08-002	ITG OUTPUT CAP GASKET 0.25MM		
19.	08-001	ITG OUTPUT CAP GASKET 0.10MM		
20.	02-004	ITG STD 75 OUTPUT SHAFT		
21.	04-017	ITG BEARING ASSEMBLY		
22.	02-002	ITG INPUT SHAFT		
23.	10-001	ITG SPACER		
24.	10-003	ITG OUTPUT BEARING SPACER		
25.	03-009	ITG INPUT GEAR 19 TOOTH		
26.	20-001	ITG INPUT CAP		
27.	08-007	ITG INPUT CAP GASKET 0.25MM		
28.	08-006	ITG INPUT CAP GASKET 0.10MM		
29.	07-001	ITG M10 LOCKWASHER		
30.	06-003	ITG M10 X 1.5 X 30 CAP SCREW		
31.	05-007	ITG INPUT SHAFT OIL SEAL		
32.	07-022	ITG SEALING WASHER		

***Gearbox Right Deck 540 RPM (826-241C) COMER (Service Only)***

**Applies to RCF45180**



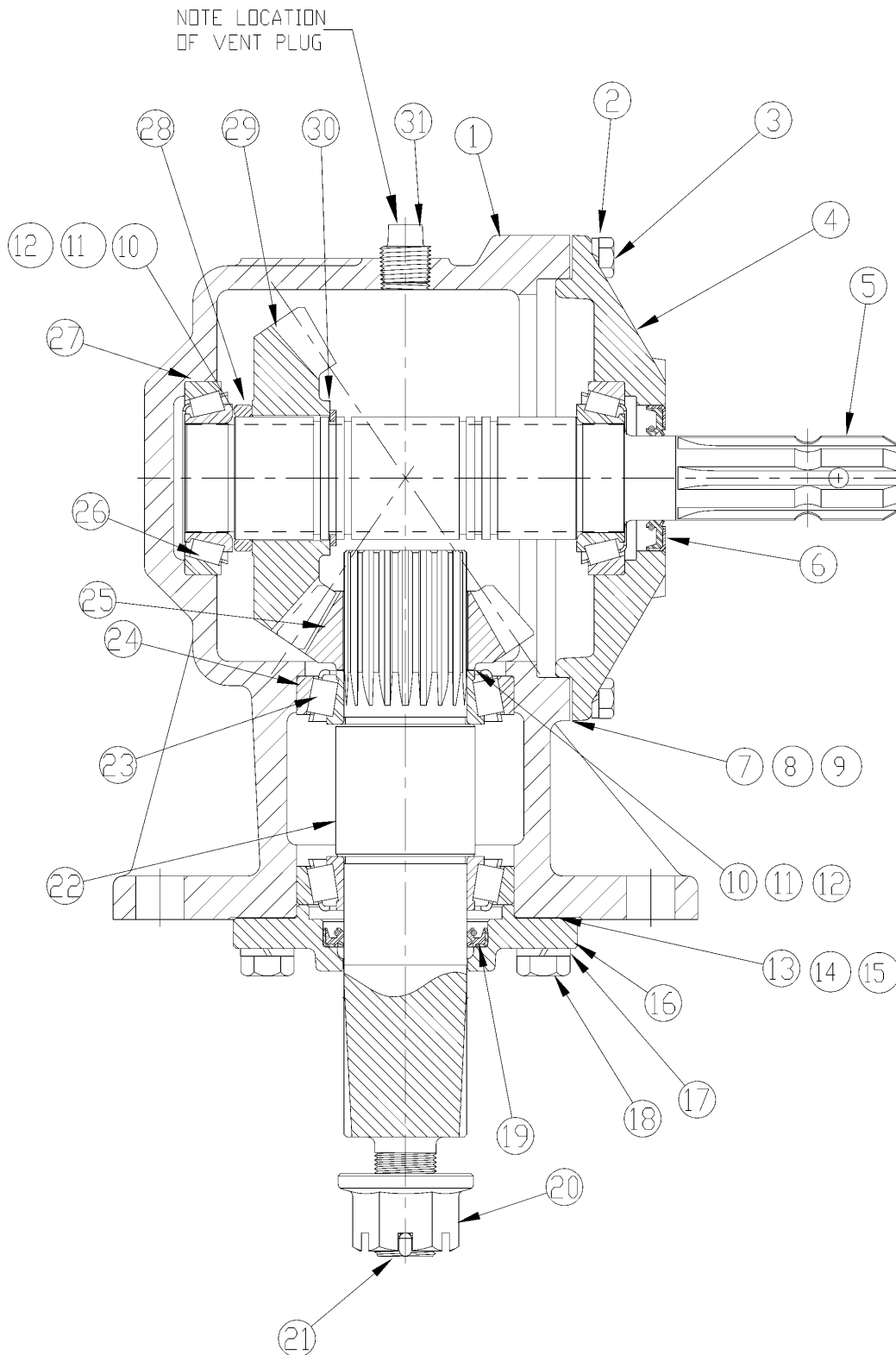
27556

**Gearbox Right Deck 540 RPM (826-241C) COMER (Service Only)****Applies to RCF45180**

Ref	Part No.	Part Description	Comments	Revision
	dwg27556	Drawing Image Number		
	826-241C	GBOX 1 1-3/8"-6A 1:1.46 CCW (Comer) *		
1.	0.210.2000.00	CO INPUT SHAFT 1.38-6		
2.	8.7.3.00331	CO OIL SEAL 45 X 85 X 10		
3.	8.5.2.00332	CO SNAP RING UNI 7437		
4.	0.709.7500.00	CO SHIM 84.7		
5.	8.0.9.00143	CO BEARING 30209 RTA25		
6.	8.1.1.00501	CO BOLT M8X22 HHB		
7.	0.210.6001.00	CO GEAR CROWN Z23 M6		
8.	8.5.1.00533	CO SNAP RING 50 UNI7435		
9.	826-490C	COMER U0.210.7100.00 DIPSTICK		
10.	0.210.1300.00	CO COVER		
11.	0.252.7525.00	CO SHIM 45.3X2.5		
12.	0.121.7101.00	CO CAP		
13.	8.6.6.00201	CO PLUG 3/8 GAS		
14.	8.4.7.02265	CO COTTER PIN B 5X60		
15.	0.132.7106.00	CO NUT M30 X 1.5		
16.	0.210.5001.00	CO PINION Z16 M6		
17.	0.712.7500.00	CO SHIM 50.3X70.3		
18.	04-011	ITG BEARING ASSEMBLY		
19.	0.210.0300.00	CO CASTING & MACHINE		
20.	8.7.1.01107	CO SEAL (50x90x10)		
21.	0.139.7100.00	CO SEAL RETAINER		
22.	0.210.3001.00	CO OUTPUT SHAFT		
23.	0.139.7101.00	CO BLANK WASHER		
24.	8.2.2.00555	CO NUT, CASTLE M30 X 2		
25.	8.4.7.00146	CO COTTER PIN B6 X 60		

**Gearbox Right Deck 540 RPM (826-241C) ITG (Service Only)**

Applies to RCF45180



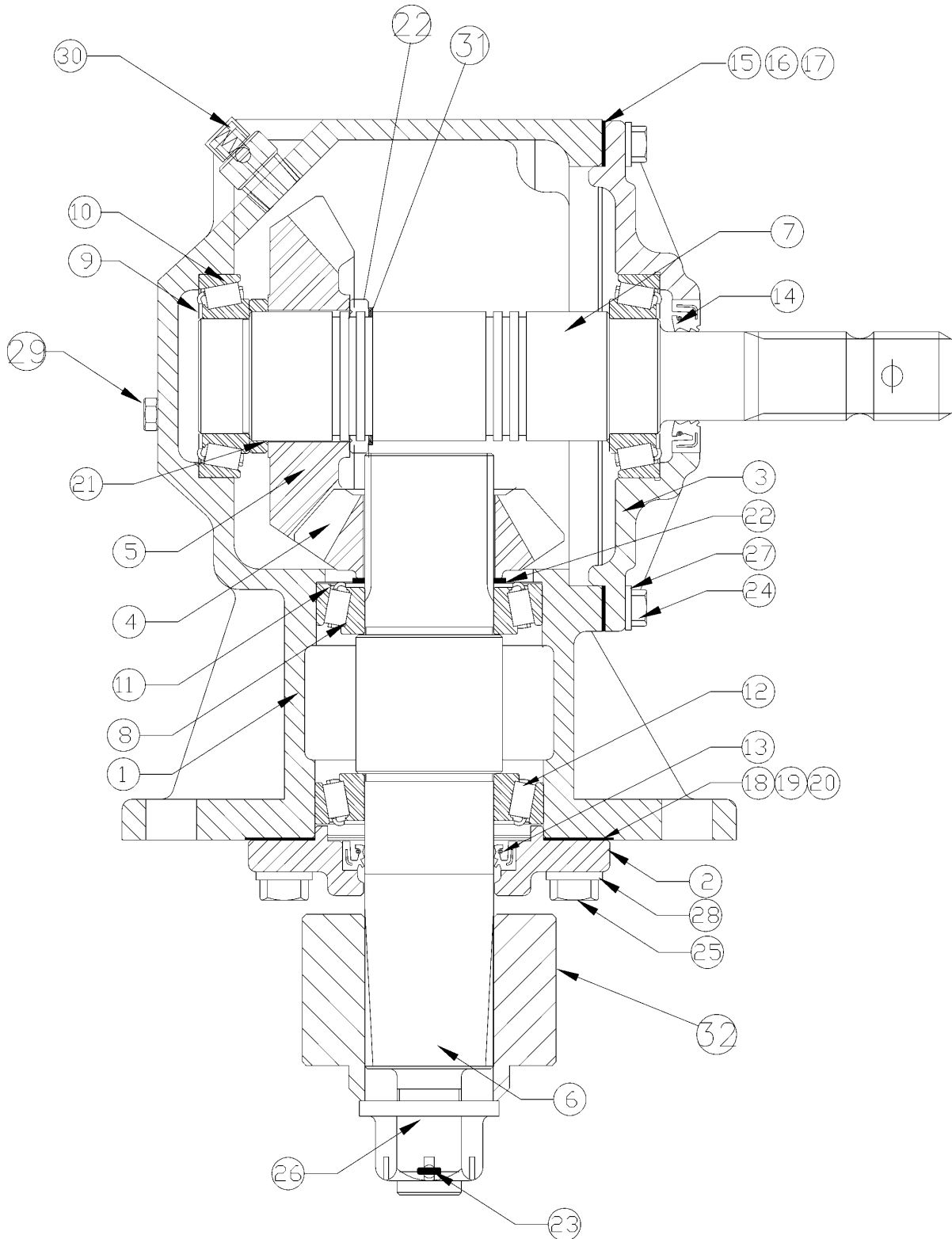
25626

**Gearbox Right Deck 540 RPM (826-241C) ITG (Service Only)****Applies to RCF45180**

Ref	Part No.	Part Description	Comments	Revision
	dwg25626	Drawing Image Number		
	826-241C	GBOX RC71 1-3/8"-6A 1:1.46 CCW *		
1.	18-027	ITG HOUSING		
2.	804-158C	WASHER SPRING LOCK M10 PLT		
3.	06-017	ITG HEX HEAD CAP SCREW		
4.	20-026	ITG INPUT CAP		
5.	02-054	ITG INPUT SHAFT		
6.	05-014	ITG INPUT OIL SEAL		
7.	08-006	ITG INPUT CAP GASKET 0.10MM		
8.	08-007	ITG INPUT CAP GASKET 0.25MM		
9.	08-008	ITG IN & OUT CAP GASKET 0.45MM		
10.	17-001	ITG SHIM 0.4		
11.	17-002	ITG SHIM 0.3		
12.	17-003	ITG SHIM 0.5		
13.	08-001	ITG OUTPUT CAP GASKET 0.10MM		
14.	08-002	ITG OUTPUT CAP GASKET 0.25MM		
15.	08-003	ITG OUTPUT CAP GASKET 0.45MM		
16.	20-025	ITG OUTPUT CAP		
17.	07-010	ITG LOCKWASHER		
18.	06-018	ITG HEX HEAD CAP SCREW		
19.	060004	OMNI OUTPUT SEAL		
20.	11-008	ITG 1-14 FLANGED HEX NUT		
21.	805-017C	PIN COTTER 3/16 X 1 3/4 PLT		
22.	02-053	ITG OUTPUT SHAFT		
23.	04-010	ITG BRG CONE		
24.	04-009	ITG BRG CUP		
25.	03-061	ITG 13 TOOTH GEAR		
26.	04-007	ITG BRG CONE		
27.	04-008	ITG BRG CUP		
28.	10-027	ITG SPACER		
29.	03-060	ITG 19 TOOTH GEAR		
30.	21-001	ITG RETAINING RING		
31.	140000	OMNI PIPE PLUG 1/2" SQ HEAD		

**Gearbox Right Deck 540 RPM (826-241C) OMNI (Service Only)**

Applies to RCF45180



16458

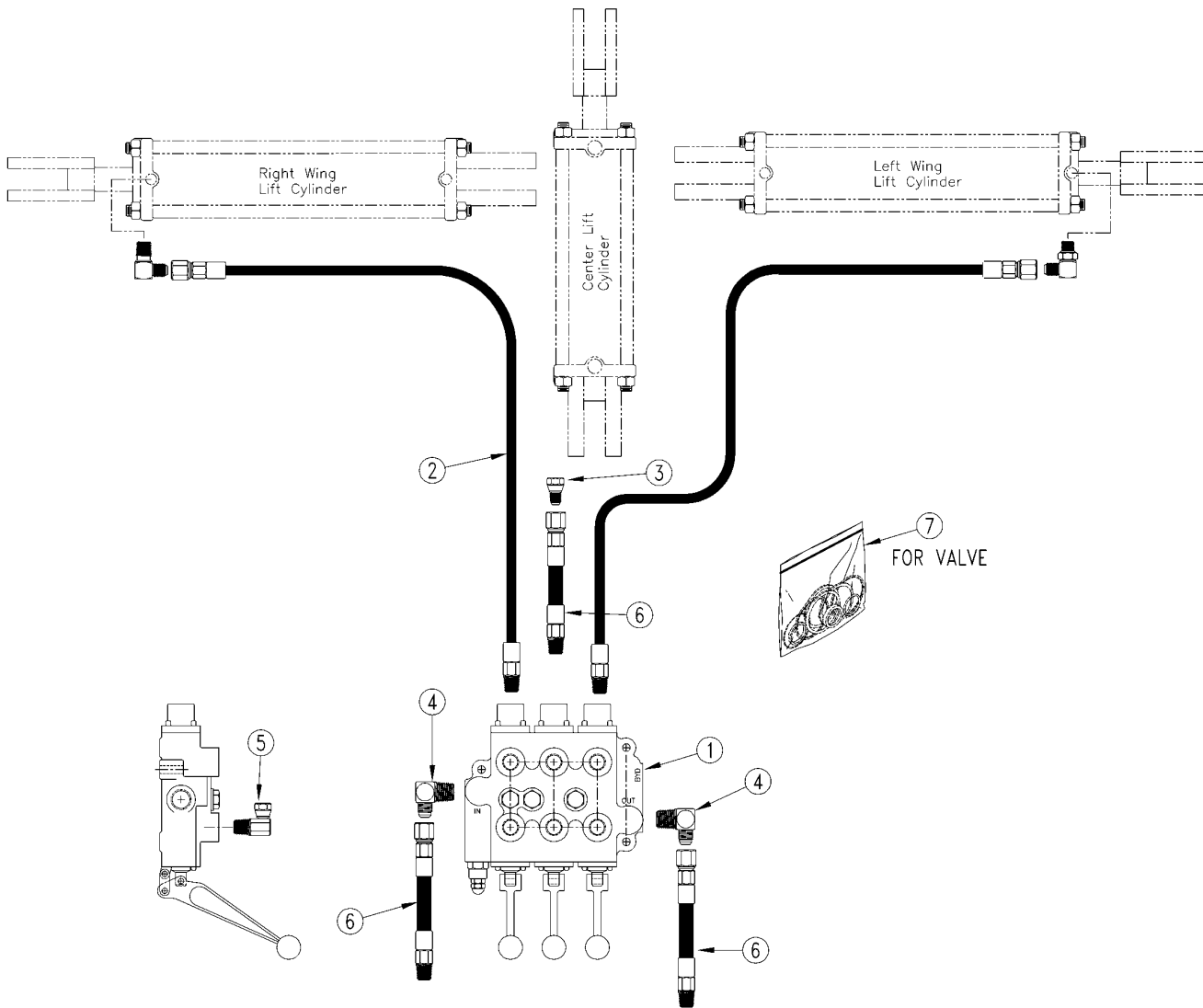


**Gearbox Right Deck 540 RPM (826-241C) OMNI (Service Only)****Applies to RCF45180**

Ref	Part No.	Part Description	Comments	Revision
	dwg16458	Drawing Image Number		
	826-241C	GBOX RC71 1-3/8"-6A 1:1.46 CCW *		
1.	10160	OMNI HOUSING RC71SS		
2.	20005	OMNI OUTPUT CAP		
3.	20162	OMNI INPUT CAP		
4.	30038	OUTPUT PINION - 13 T., OMNI		
5.	30039	INPUT GEAR - 19 T., OMNI		
6.	40112	OUTPUT SHAFT, OMNI		
7.	40135	OMNI INPUT SHAFT 1 3/8-6A SPL		
8.	50008	OMNI BRG CONE - 368		
9.	50012	OMNI BRG CONE -LM603049		
10.	50013	OMNI BRG CUP - LM 603014		
11.	50014	BRG CUP - 362A, OMNI		
12.	50015	BRG CUP - 362, OMNI		
13.	60004	OMNI OUTPUT SEAL		
14.	60005	INPUT SEAL, OMNI		
15.	70140	OMNI GASKET 0.30MM		
16.	70141	OMNI GASKET 0.15MM		
17.	70142	OMNI GASKET 0.10MM		
18.	70143	OMNI GASKET 0.30MM		
19.	70144	OMNI GASKET 0.15MM		
20.	70145	OMNI GASKET 0.10MM		
21.	90055	SPACER, OMNI 1:1.46 & 1:1.93		
22.	90073	OMNI SHIM .025	As Required	
23.	100001	OMNI COTTER PIN 5 X 50		
24.	802-079C	HHCS 3/8-16X1 1/4 GR5		
25.	110002	OMNI SCREW,HEX 1/2-13UNC GR5		
26.	120050	OMNI NUT HEX SLOTTED, 1-14UNC		
27.	130002	OMNI LOCKWASHER		
28.	130003	OMNI LOCKWASHER 1/2" SPLIT TYP		
29.	140017	OMNI PLUG PIPE SQ HD1/8-27NPTF		
30.	826-497C	COMER VENT #8.6.7.00269		
31.	200003	OMNI RETAINING RING		
32.	210001	OMNI BLADE HUB		

# Hydraulic 3-Spool Control Valve Kit

Applies to RCF45180



## Hydraulic 3-Spool Control Valve Kit

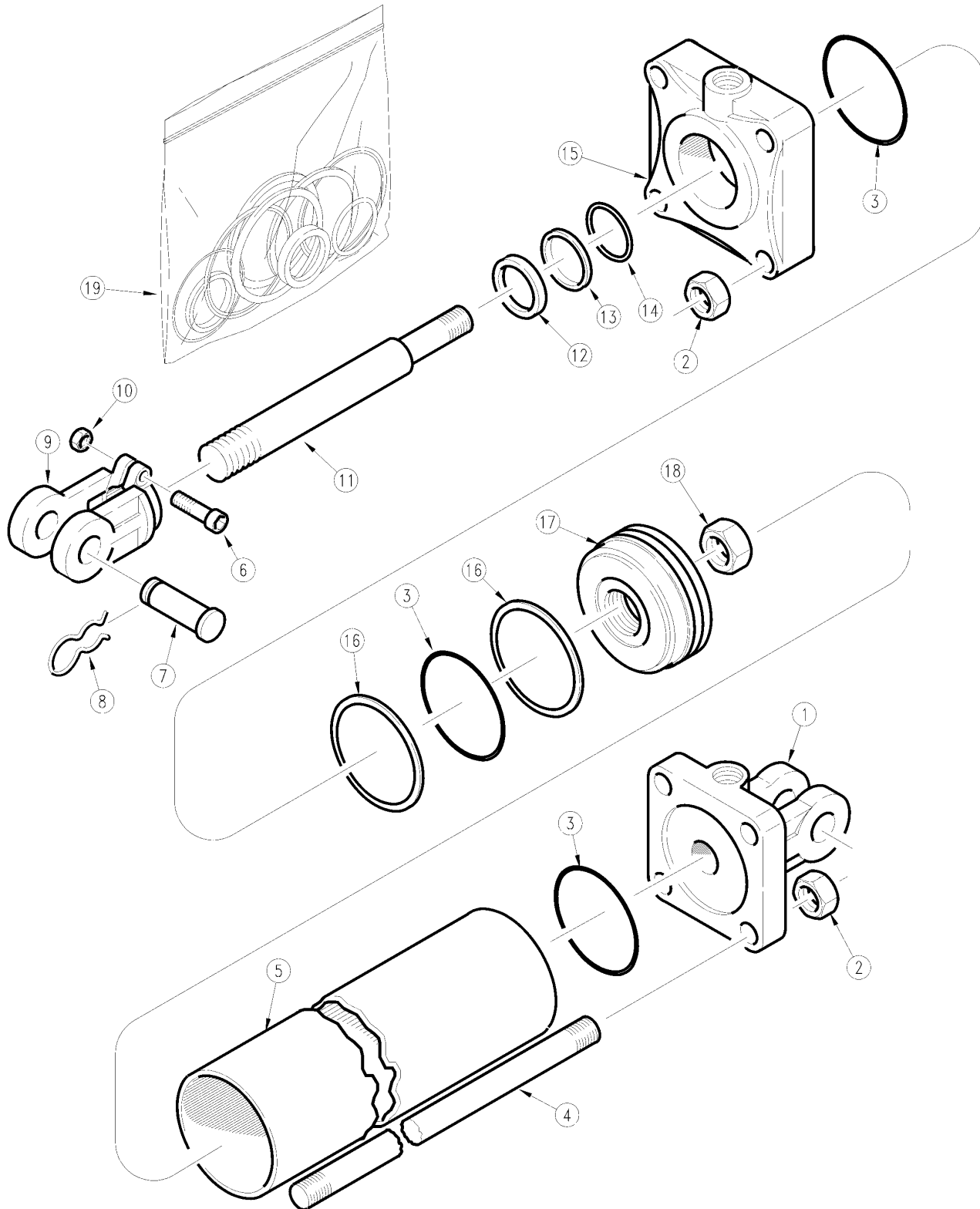
---

### Applies to RCF45180

Ref	Part No.	Part Description	Comments	Revision
	dwg11196	Drawing Image Number		
	312-315A	RC45180 3-SPOOL VALVE KIT		
1.	810-167C	3-SPOOL DIRECTION CONTROL VALV		
2.	811-358C	HH1/4R1 265 1/2MNPT 9/16FJIC		
3.	811-290C	AD 3/4MJIC 1/2FNPT		
4.	811-359C	EL 3/4MJIC X 3/4MNPT		
5.	811-008C	EL 1/2MNPT 1/2FNPTS		
6.	811-360C	HH3/8R2 60 1/2MNPT 3/4FJIC		
7.	810-402C	CROSS SEAL KIT 2V0010		

# Hydraulic Cylinder (810-150C) Cross

Applies to RCF45180



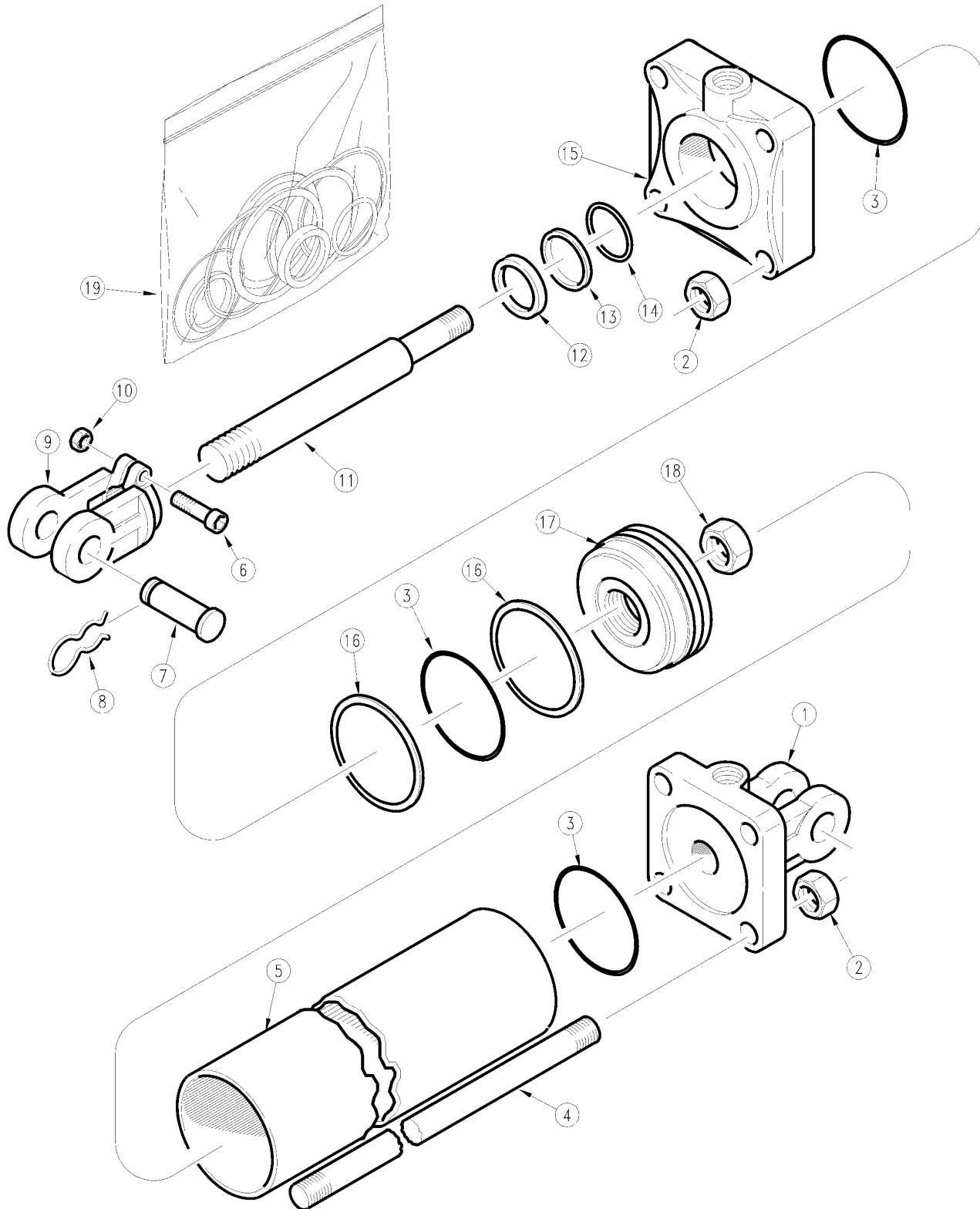
11421

**Hydraulic Cylinder (810-150C) Cross****Applies to RCF45180**

Ref	Part No.	Part Description	Comments	Revision
	dwg11421	Drawing Image Number		
	810-150C	Hydraulic Cylinder Cross 2 1/2" x 12" x 1/14" Rod		
1.	1D1505-3	Base		
2.	2A0235-6	Nut, Tie Rod		
3.		O-Ring	Only available in Seal Kit (#19)	
4.	2A0578-1675	Tie Rod		
5.	1D0005-1450	Tube		
6.	2A0079-616	Screw, Cap		
7.	1D1551-16275	Pin, Clevis		
8.	2A0308-1	Pin Clip		
9.	1D1003-5	Clevis		
10.	2A0235-6	Nut, Clevis		
11.	1D0206-1675	Rod		
12.		Wiper	Only available in Seal Kit (#19)	
13.		Back Up Rod	Only available in Seal Kit (#19)	
14.		O-Ring	Only available in Seal Kit (#19)	
15.	1D1155-17	Head		
16.		Back Up {Piston}	Only available in Seal Kit (#19)	
17.	1D1401-250	Piston		
18.	2A0246-12	Nut, Piston		
19.	810-178C	Seal Kit		

# Hydraulic Cylinder (810-150C) Midway

Applies to RCF45180



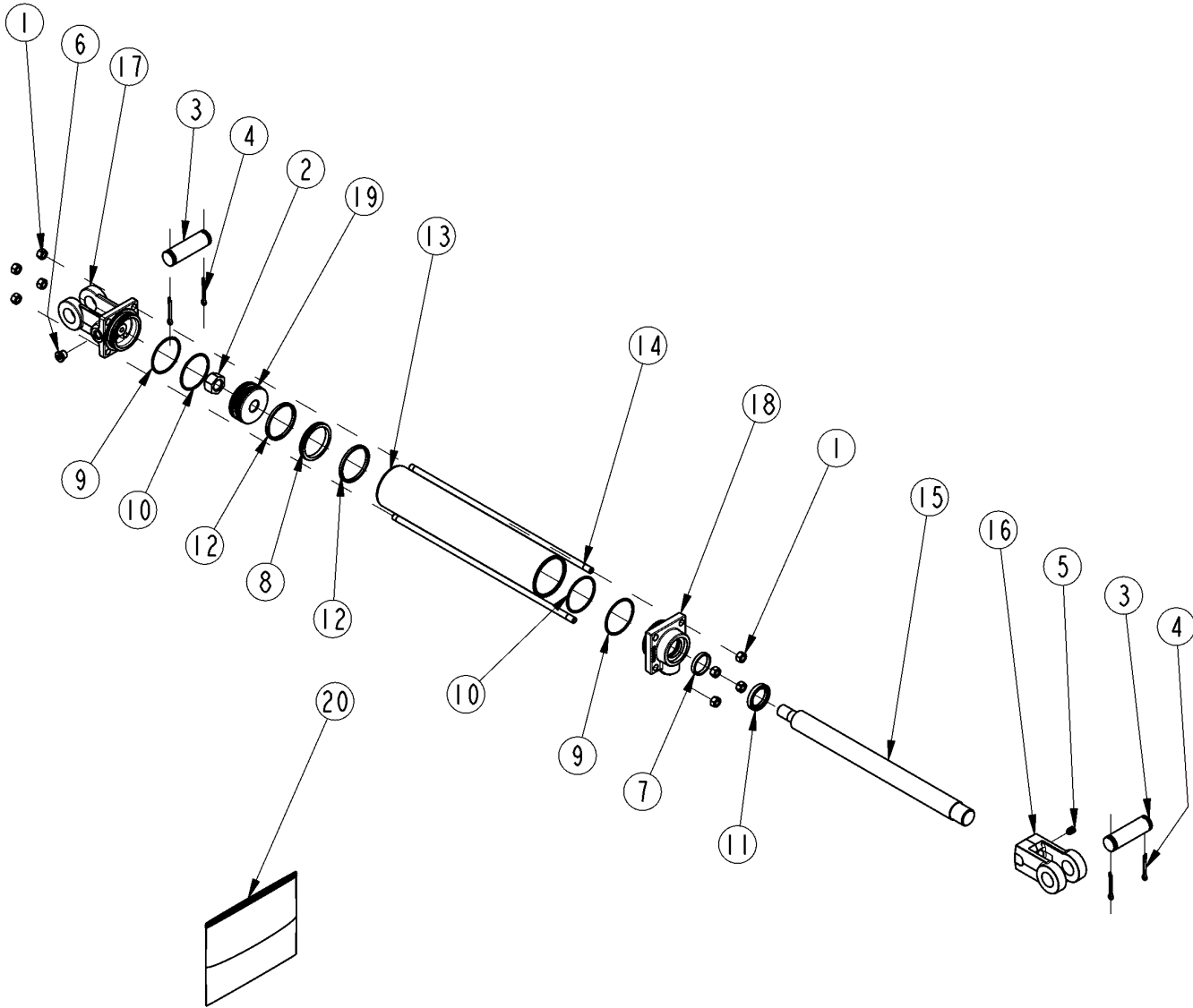
11421

**Hydraulic Cylinder (810-150C) Midway****Applies to RCF45180**

<b>Ref</b>	<b>Part No.</b>	<b>Part Description</b>	<b>Comments</b>	<b>Revision</b>
	dwg11421	Drawing Image Number		
	810-150C	Hydraulic Cylinder Midway 2 1/2" x 12" x 1/14" Rod		
1.	6M3118	Base		
2.	2A0012	Nut, Tie Rod		
3.		O-Ring	Only available in Seal Kit (#19)	
4.	7M3320	Tie Rod		
5.	5M3120	Tube		
6.	2A0006	Screw, Cap		
7.	2A0208	Pin, Clevis		
8.	2A0132	Pin Clip		
9.	1M6010	Clevis		
10.	2A0012	Nut, Clevis		
11.	2M3418	Rod		
12.		Wiper	Only available in Seal Kit (#19)	
13.		Back Up Rod	Only available in Seal Kit (#19)	
14.		O-Ring	Only available in Seal Kit (#19)	
15.	3M3406	Head		
16.		Back Up {Piston}	Only available in Seal Kit (#19)	
17.	4M3102	Piston		
18.	2A0022	Nut, Piston		
19.	810-177C	Seal Kit		

# Hydraulic Cylinder (810-150C) Red Lion

Applies to RCF45180



25899

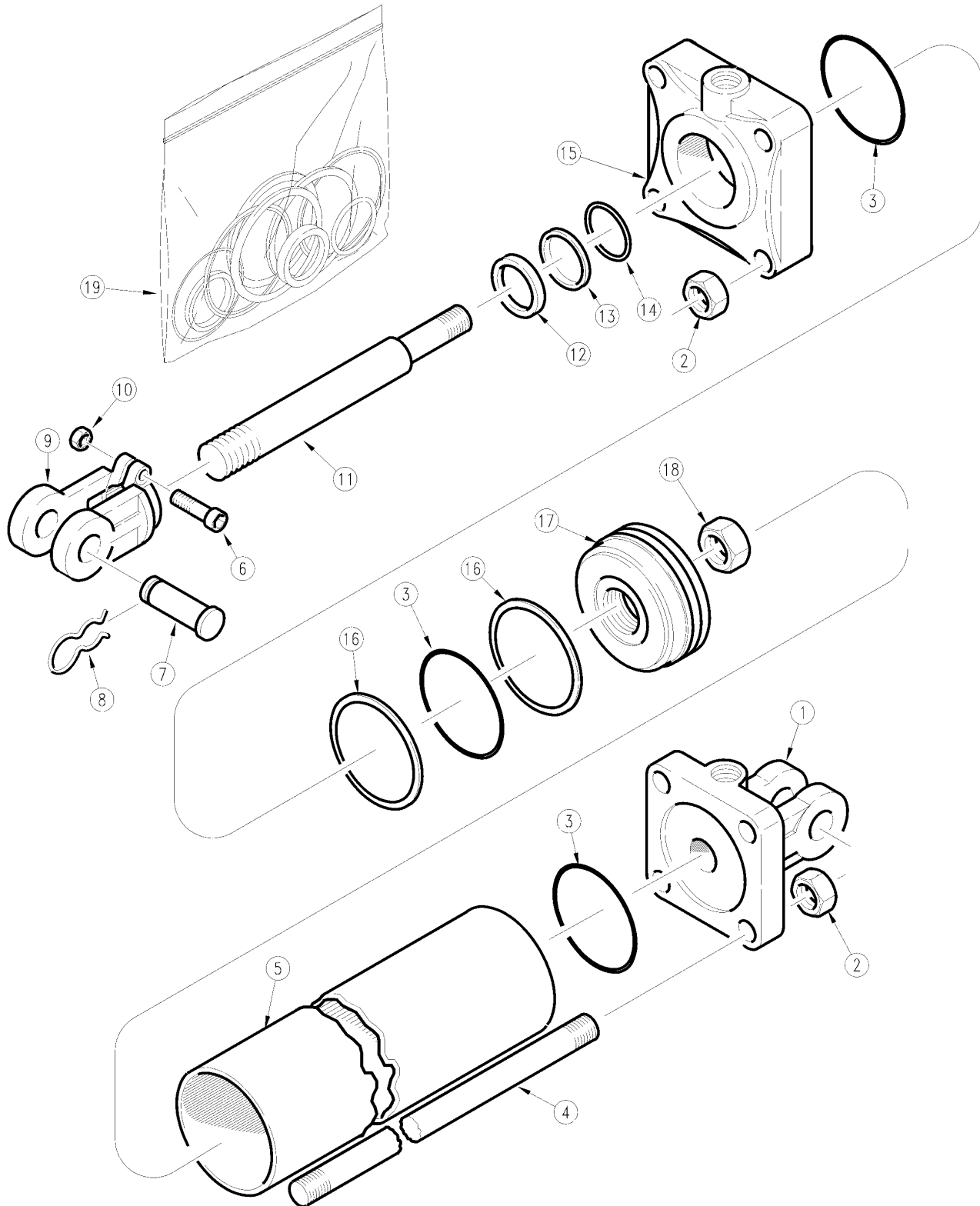


**Hydraulic Cylinder (810-150C) Red Lion****Applies to RCF45180**

Ref	Part No.	Part Description	Comments	Revision
	dwg25899	Drawing Image Number		
	810-150C	CYL 2.5X12X1.25 ROD (TIE ROD) *		
1.	803-014C	NUT HEX 3/8-16 PLT		
2.	130556	MON PISTON NUT		
3.	134953	LION PIN		
4.	135995	MON CLEVIS PIN COTTER		
5.	801-023C	SCREW SET SH 3/8-16X3/8 TYPE C		
6.	186561	PLUG 9/16-18UNF MORB SOCKET HD		
7.	N/A	MON ROD SEAL	Only Found in Kit #20	
8.	N/A	MON PISTON SEAL	Only Found in Kit #20	
9.	N/A	MON END CAP BACKUP WASHERS	Only Found in Kit #20	
10.	N/A	MON END CAP O-RING	Only Found in Kit #20	
11.	N/A	SEAL WIPER ROD	Only Found in Kit #20	
12.	N/A	MON PISTON WEAR RING	Only Found in Kit #20	
13.	491672	LION CYL TUBE 2.5 X 12		
14.	492222	LION TIE ROD 3/8, 12 CYL		
15.	492647	LION ROD 1.25 X 12		
16.	492650	LION ROD CLEVIS 1 1/8-12UNF		
17.	492688	LION CLEVIS CAP 2.5, 9/16 ORB		
18.	492724	LION ROD CAP 2.5X1.25 9/16 ORB		
19.	494768	MON PISTON		
20.	645004	MON SEALS REPAIR KIT		

# Hydraulic Cylinder (810-162C) Cross

Applies to RCF45180



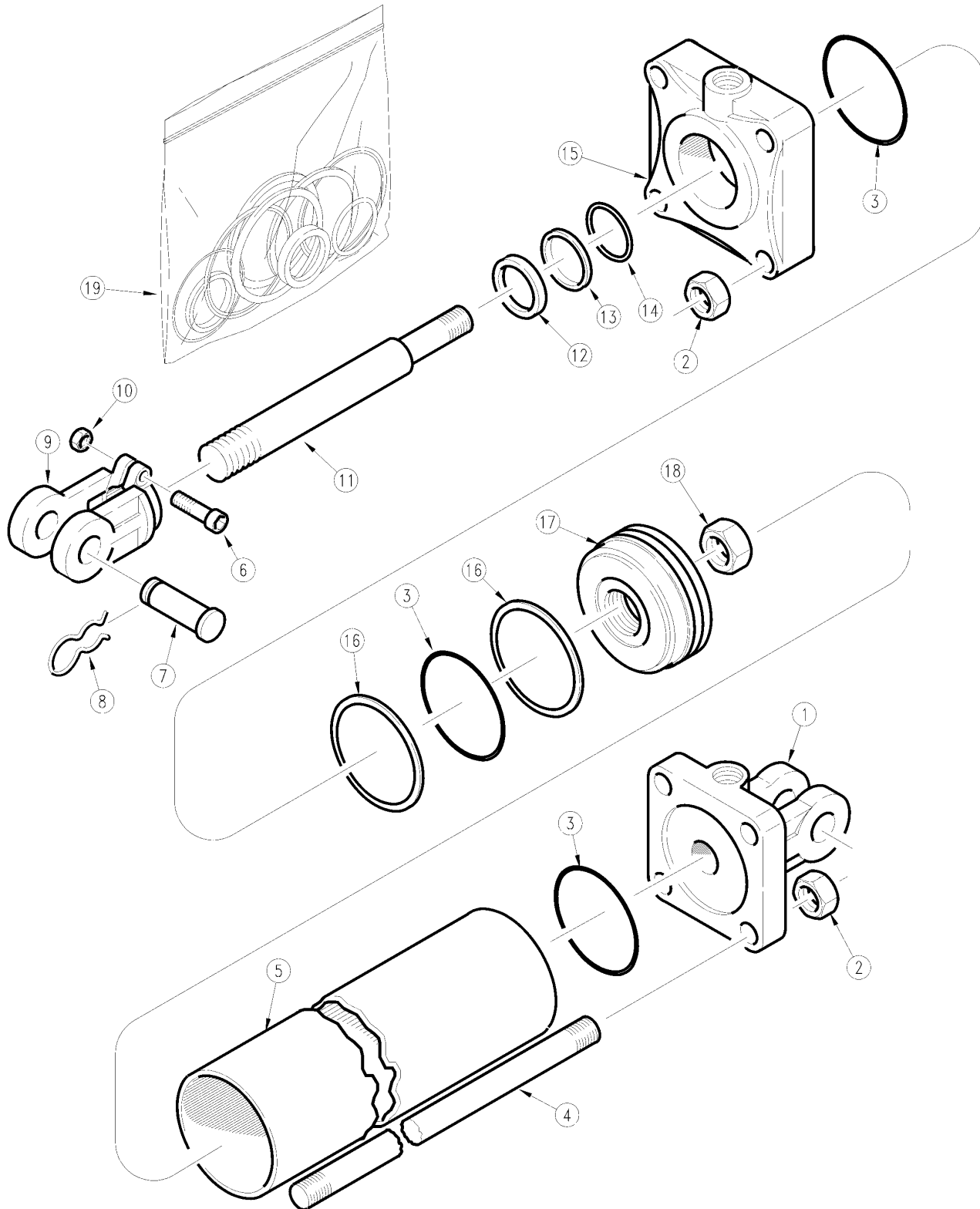
11421

**Hydraulic Cylinder (810-162C) Cross****Applies to RCF45180**

<b>Ref</b>	<b>Part No.</b>	<b>Part Description</b>	<b>Comments</b>	<b>Revision</b>
	dwg11421	Drawing Image Number		
	810-162C	Hydraulic Cylinder Cross 3 1/2" x 8" x 1 1/4" Rod		
1.	1D1509-4	Base		
2.	2A0236-9	Nut, Tie Rod		
3.		O-Ring	Only available in Seal Kit (#19)	
4.	2A0581-1325	Tie Rod		
5.	1D0009-1050	Tube		
6.	2A0079-616	Screw, Cap		
7.	1D1551-16275	Pin, Clevis		
8.	2A0308-1	Pin Clip		
9.	1D1003-5	Clevis		
10.	2A0235-6	Nut, Clevis		
11.	1D0205-1262	Rod		
12.		Wiper	Only available in Seal Kit (#19)	
13.		Back Up Rod	Only available in Seal Kit (#19)	
14.		O-Ring	Only available in Seal Kit (#19)	
15.	1D1159-4	Head		
16.		Back Up {Piston}	Only available in Seal Kit (#19)	
17.	1D1401-350	Piston		
18.	1A1141	Nut, Piston		
19.	810-146C	Seal Kit		

### Hydraulic Cylinder (810-162C) Midway

Applies to RCF45180



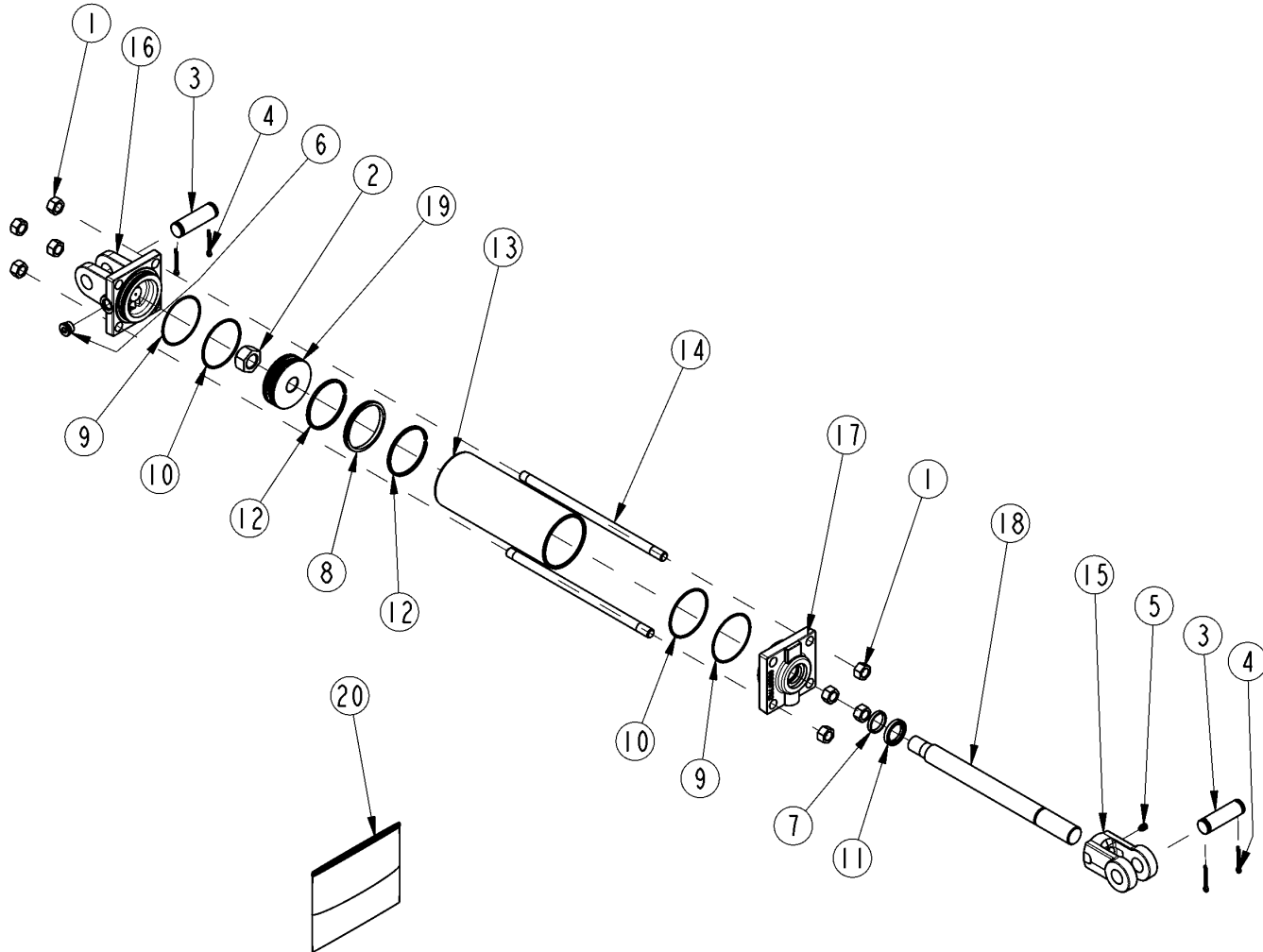
11421

**Hydraulic Cylinder (810-162C) Midway****Applies to RCF45180**

<b>Ref</b>	<b>Part No.</b>	<b>Part Description</b>	<b>Comments</b>	<b>Revision</b>
	dwg11421	Drawing Image Number		
	810-162C	Hydraulic Cylinder Midway 3 1/2" x 8" x 1 1/4" Rod		
1.	6M5142	Base		
2.	2A0016	Nut, Tie Rod		
3.		O-Ring	Only available in Seal Kit (#19)	
4.	7M5316	Tie Rod		
5.	5M5116	Tube		
6.	2A0006	Screw, Cap		
7.	2A0208	Pin, Clevis		
8.	2A0132	Pin Clip		
9.	1M6010	Clevis		
10.	2A0012	Nut, Clevis		
11.	2M5416	Rod		
12.		Wiper	Only available in Seal Kit (#19)	
13.		Back Up Rod	Only available in Seal Kit (#19)	
14.		O-Ring	Only available in Seal Kit (#19)	
15.	3M5408	Head		
16.		Back Up {Piston}	Only available in Seal Kit (#19)	
17.	4M5102	Piston		
18.	2A0024	Nut, Piston		
19.	810-149C	Seal Kit		

# Hydraulic Cylinder (810-162C) Red Lion

Applies to RCF45180



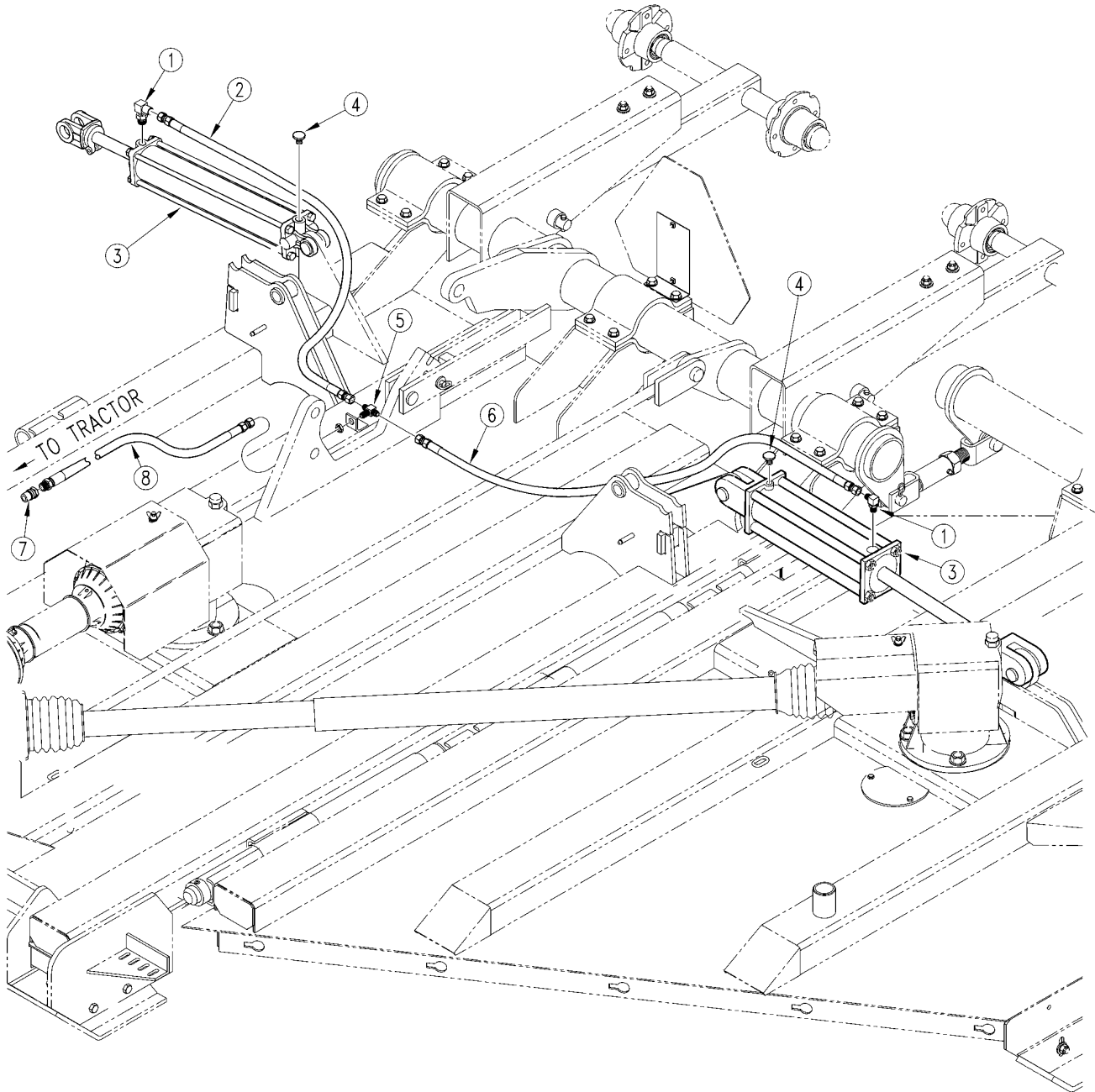
25900

**Hydraulic Cylinder (810-162C) Red Lion****Applies to RCF45180**

Ref	Part No.	Part Description	Comments	Revision
	dwg25900	Drawing Image Number		
	810-162C	CYL 3.5X8X1.25 ROD (TIE ROD) *		
1.	803-022C	NUT HEX 5/8-18 PLT		
2.	130560	MON PISTON NUT		
3.	134953	LION PIN		
4.	135995	MON CLEVIS PIN COTTER		
5.	801-023C	SCREW SET SH 3/8-16X3/8 TYPE C		
6.	186562	LION PLUG 3/4-16UNF SOCKET HD		
7.	N/A	MON ROD SEAL	Only Found in Kit #20	
8.	N/A	MON PISTON SEAL (PSP)	Only Found in Kit #20	
9.	N/A	LION B.U. WASHER 073-236	Only Found in Kit #20	
10.	N/A	MON END CAP O-RING	Only Found in Kit #20	
11.	N/A	SEAL WIPER ROD	Only Found in Kit #20	
12.	N/A	MON PISTON WEAR RING	Only Found in Kit #20	
13.	491798	LION CYL. TUBE 3.5 X 8		
14.	492338	LION TIE ROD 5/8 X 8		
15.	492652	LION ROD CLEVIS 1 1/4 (1PIN)		
16.	492676	LION CLEVIS CAP 3.5 ORB		
17.	492677	LION ROD CAP 3.5 X 1 1/4 ORB		
18.	492700	LION ROD 1.25 DIA. ASAE 8		
19.	494754	MON PISTON		
20.	648411	MON SEALS REPAIR KIT		

## Hydraulic Plumbing Standard Wing Fold

Applies to RCF45180



14095

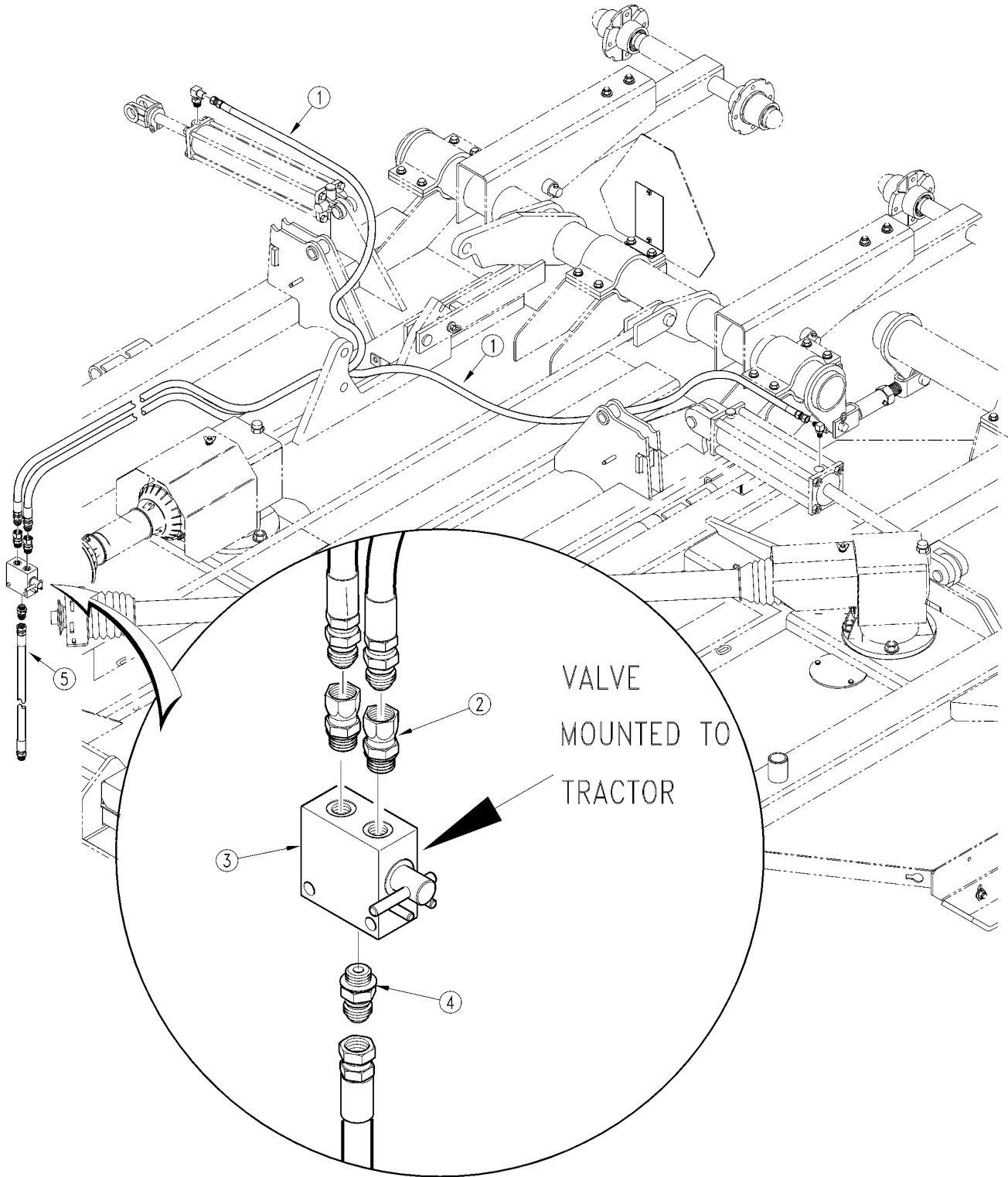


***Hydraulic Plumbing Standard Wing Fold*****Applies to RCF45180**

<b>Ref</b>	<b>Part No.</b>	<b>Part Description</b>	<b>Comments</b>	<b>Revision</b>
	dwg14095	Drawing Image Number		
1.	811-062C	OREL 1/32 9/16MJIC 9/16MORB		
2.	811-056C	HH1/4R2 045 9/16FJIC		
3.	810-150C	CYL 2.5X12X1.25 ROD (TIE ROD)		
4.	800-117C	VENT PLUG - 9/16-18 PLATED		
5.	811-356C	TE 9/16MJIC BH 9/16MJIC 9/16MJ		
6.	811-180C	HH1/4R1 057 9/16FJIC		
7.	811-394C	CP 3/4FORB MALE QD	(S/N 134740+) Revision 2 is not interchangeable w/revision 1	
7.	811-357C	CA 1/2FNPT	(S/N 134739-) 1st Revision	
8.	811-361C	HH1/4R1 186 3/4MORB 9/16FJIC		

# Hydraulic Selector Control Valve Kit

Applies to RCF45180



14097

## ***Hydraulic Selector Control Valve Kit***

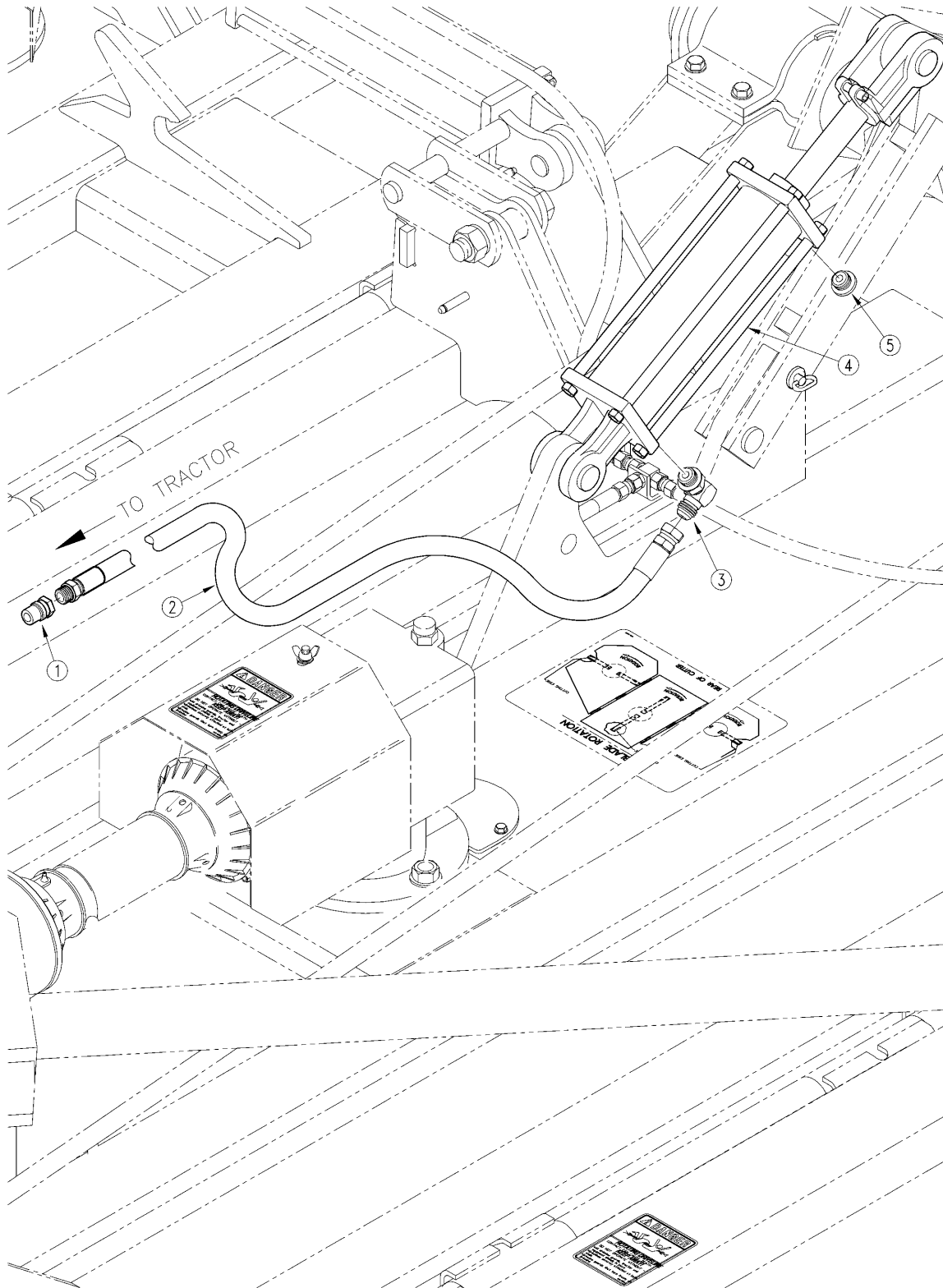
---

### **Applies to RCF45180**

<b>Ref</b>	<b>Part No.</b>	<b>Part Description</b>	<b>Comments</b>	<b>Revision</b>
	dwg14097	Drawing Image Number		
	312-316A	RC45180 2-WAY SELECTOR VLV KIT		
1.	811-358C	HH1/4R1 265 1/2MNPT 9/16FJIC		
2.	811-021C	AD 1/2FNPTS 3/4MORB		
3.	810-152C	SELECTOR VALVE 3-WAY 2 POS		
4.	811-088C	AD 3/4MORB 3/4MJIC		
5.	811-360C	HH3/8R2 60 1/2MNPT 3/4FJIC		

### Hydraulics Optional Lift

Applies to RCF45180



14096

## Hydraulics Optional Lift

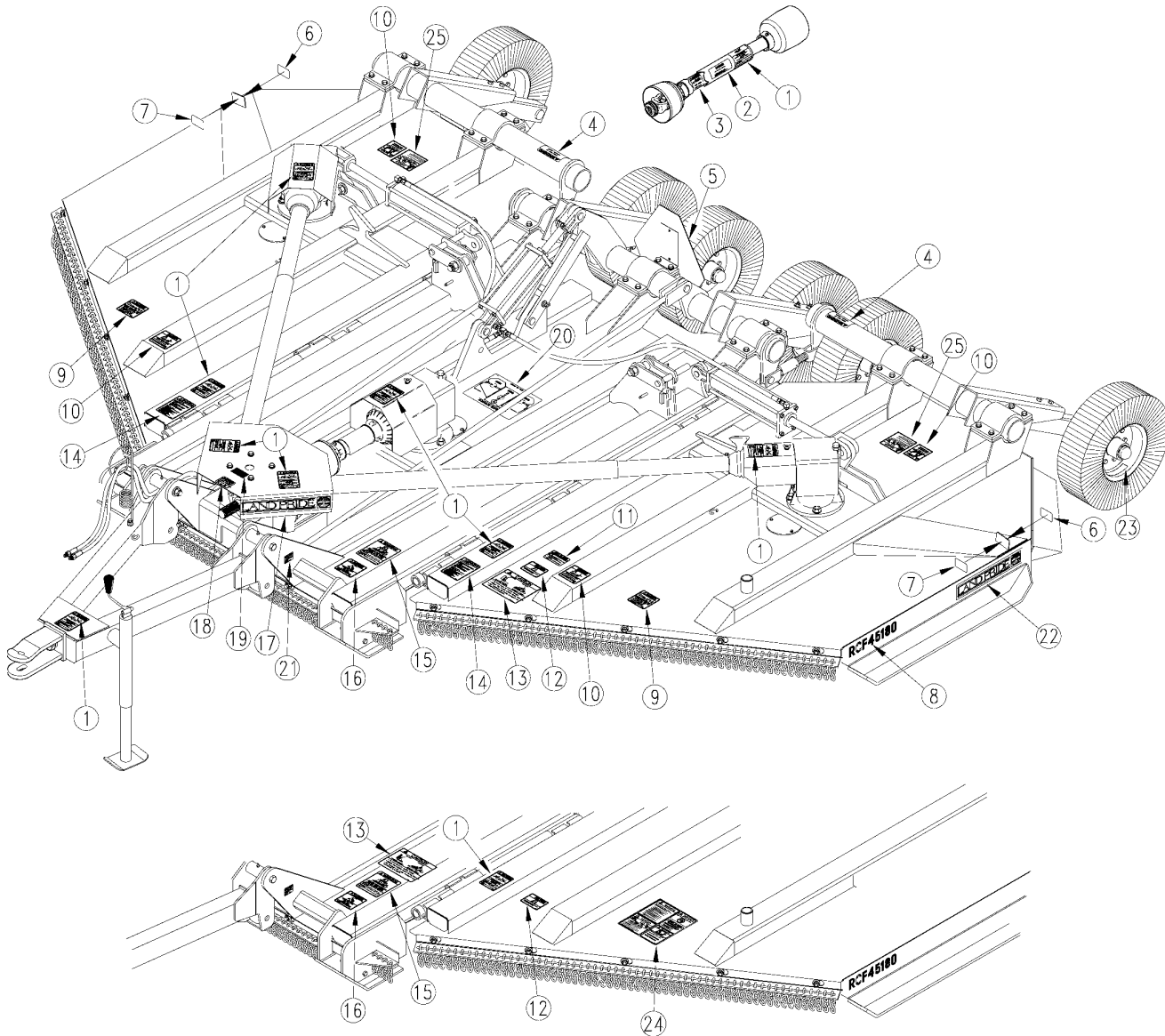
---

### Applies to RCF45180

Ref	Part No.	Part Description	Comments	Revision
	dwg14096	Drawing Image Number		
	312-286A	HYDRAULIC HEIGHT ADJ KIT		
1.	811-394C	CP 3/4FORB MALE QD	(S/N 134740+)	
2.	811-353C	HH3/8R1 176 3/4MORB 3/4FJIC		
3.	811-063C	EL 3/4MJIC 3/4MORB		
4.	810-162C	CYL 3.5X8X1.25 ROD (TIE ROD)		
5.	800-094C	FILL PLUG VENTED 3/4-16 PLT		

# Label Placement

Applies to RCF45180



14098

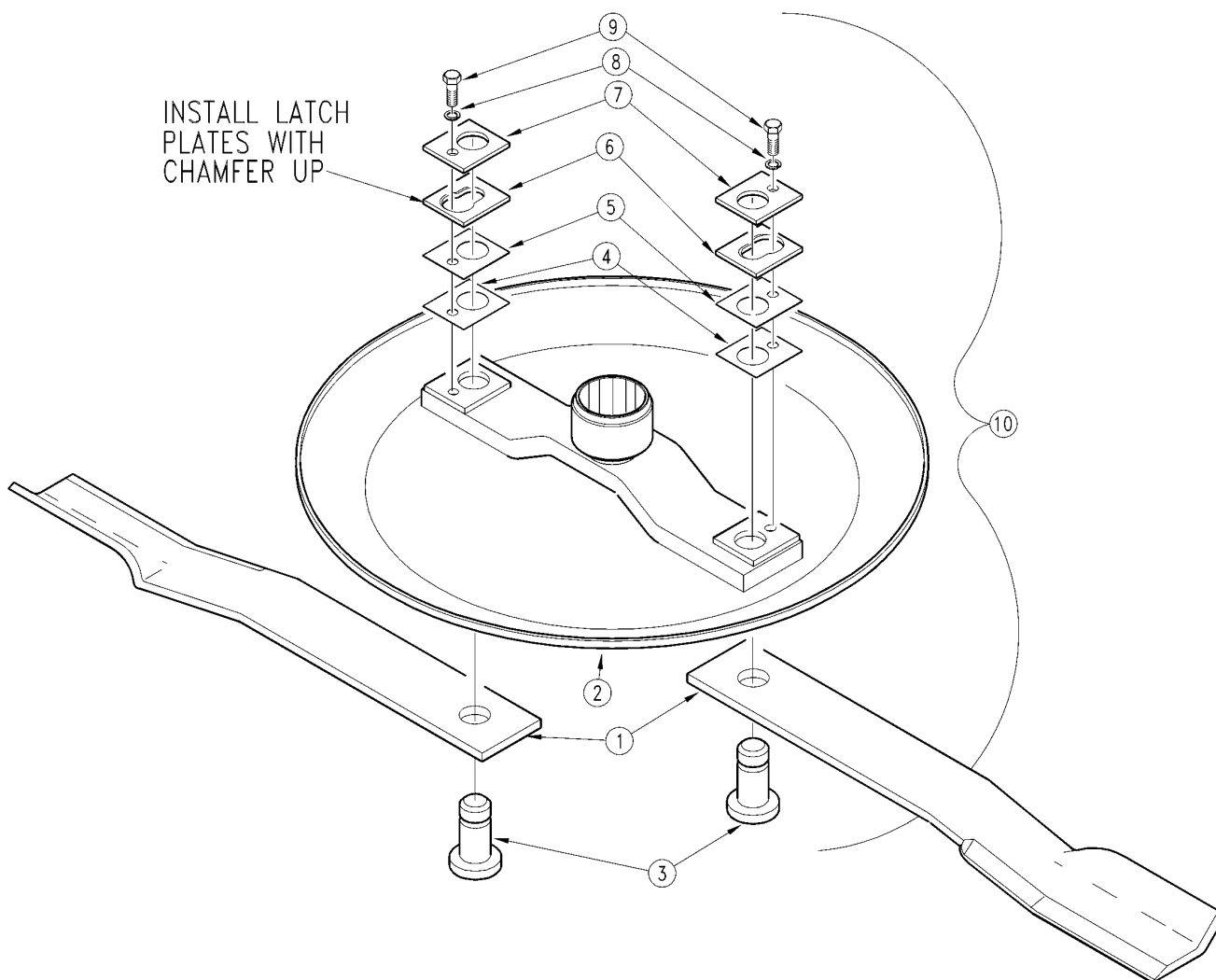
## Label Placement

### Applies to RCF45180

Ref	Part No.	Part Description	Comments	Revision
	dwg14098	Drawing Image Number		
	312-282A	RCF45180 SAFETY DECAL PACKAGE		
	312-284A	RCFM45180 SAFETY DECAL PACKAGE		
	312-283A	RCF45180 DECAL PACKAGE		
	312-285A	RCFM45180 DECAL PACKAGE		
1.	818-552C	DECAL DANGER PTO DRIVELINE		
2.	818-321C	DECAL 15' CTR 1000 DRIVELINE		
2.	818-423C	DECAL PTO 826-114C		
2.	818-426C	DECAL PTO 826-117C		
2.	818-427C	DECAL PTO 826-118C		
2.	818-488C	DECAL PTO MAINTENANCE CV		
3.	818-540C	DECAL DANGER GUARD MISS PTO		
4.	818-045C	DECAL WARNING PINCH PT/CRUSH		
5.	818-055C	DECAL SLOW MOVING-GALV. BACKED		
6.	818-230C	DECAL RED REFLECTOR		
7.	818-229C	DECAL AMBER REFLECTOR		
8.	818-591C	DECAL RCF45180 - LP BLACK		
8.	818-592C	DECAL RCFM45180 - LP BLACK		
9.	818-555C	DECAL DANGER ROTATE BLADE		
10.	818-556C	DECAL DANGER THROWN OBJ CUTTER		
11.	818-559C	DECAL NOTICE TO OWNER-WARRANTY		
12.	818-557C	DECAL DANGER CANNOT READ ENG		
13.	818-440C	DECAL CAUTION TRANSPORT LINKS		
14.	818-554C	DECAL WARNING GEN SAFE CUTTER		
15.	818-276C	DECAL WARNING OPERATING ANGLE		
16.	818-561C	DECAL DANGER RAISED WING HAZAR		
17.	818-163C	LP LOGO LARGE BUCKSKIN		
18.	818-240C	DECAL CAUTION 1000 RPM		
18.	818-130C	DECAL CAUTION 540 RPM		
19.	818-190C	DECAL FLAG		
20.	818-268C	DECAL BLADE ROTATION RC45180		
21.	819-036C	I.D. PLATE - LAND PRIDE		
22.	818-162C	LP LOGO LARGE GREEN		
23.	818-681C	DECAL NOTICE - 20 MPH MAX		
24.	818-830C	DECAL SAFETY COMBO SUNWEST		
25.	818-564C	DECAL DANGER ROTATING BLADES		

### Deck Blade Carrier (S/N 160142-)

Applies to RCFM45180



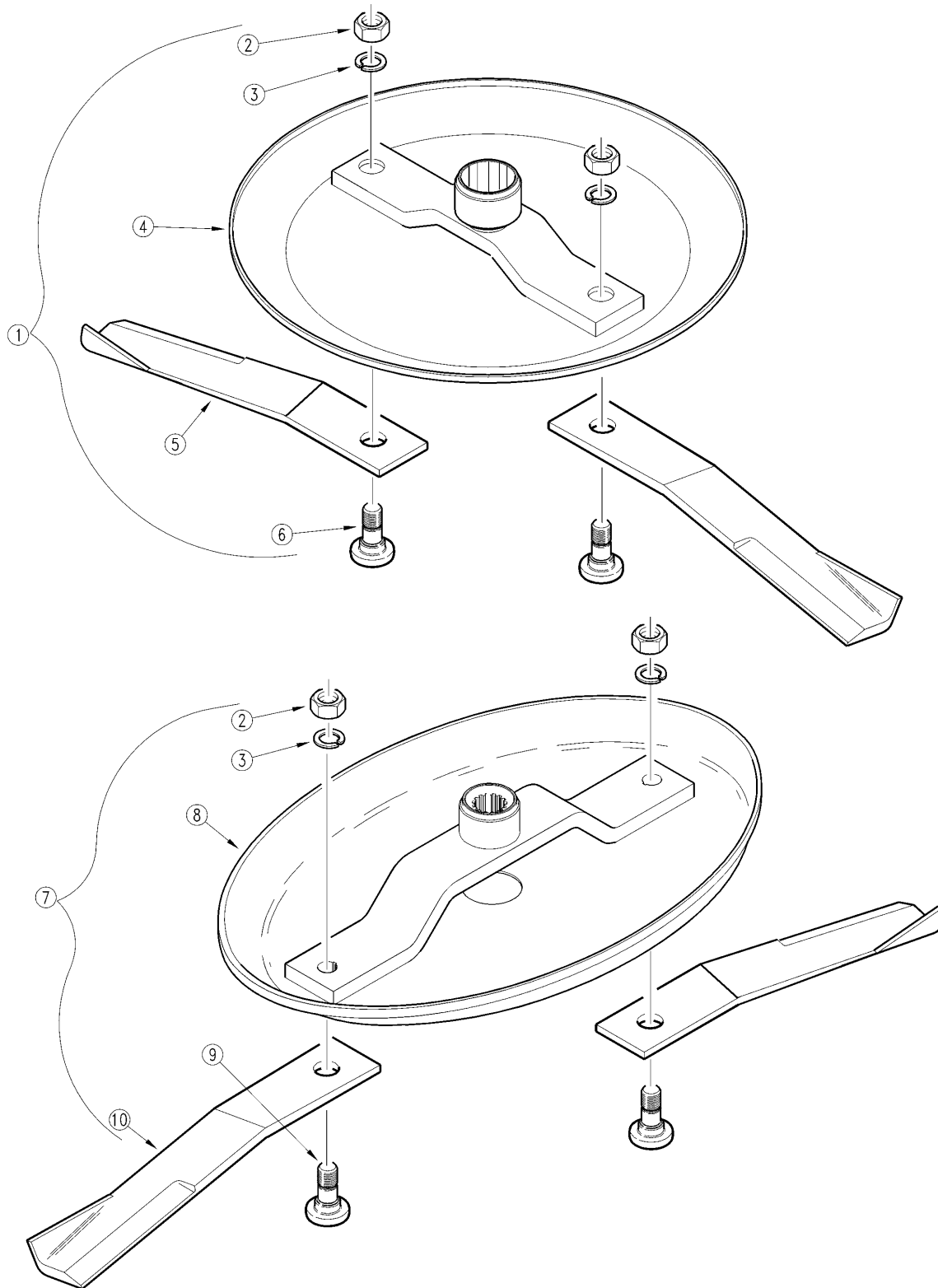


**Deck Blade Carrier (S/N 160142-)****Applies to RCFM45180**

Ref	Part No.	Part Description	Comments	Revision
	dwg11027	Drawing Image Number		
1.	820-091C	CUTTER BLADE 1/2 X 4 X 25.75CW	Left Hand Deck	
1.	820-092C	CUTTER BLADE 1/2 X 4 X 25.75CCW	Right Hand Deck	
1.	820-090C	CUTTER BLADE 1/2 X 4 X 29 CCW	Center Deck	
2.	312-220H	13" ROUND DISHPAN WELDMENT ITG		
2.	312-308H	19" ROUND DISHPAN WELDMENT ITG		
3.	802-374C	BLADE BOLT 1 1/2 X 3 LG	(S/N 87908 <-> 160142)	Rev. 2
3.	802-341C	BLADE BOLT 1 1/2 X 3 LG	(RPBY 802-374C)	Rev 1; Use up stock
4.	312-449D	BLADE BOLT SHIM - 20 GA		
5.	312-448D	BLADE BOLT SHIM - 18 GA		
6.	890-231C	BLADE BOLT LATCH PLATE	(S/N 87908 <-> 160142)	Rev. 3
6.	890-220C	RPBY 890-231C		Rev 2; Use up stock
6.	312-451D	RPBY 890-220C		Rev 1; Use up stock
7.	312-450D	BLADE BOLT TOP PLATE		
8.	804-015C	WASHER LOCK SPRING 1/2 PLT		
9.	802-349C	HHCS 1/2-20X1 3/4 GR5 NYL		
10.	312-233S	LH DECK BLADE CARRIER ASSY	(S/N 160142-)	
10.	312-235S	RH DECK BLADE CARRIER ASSY	(S/N 160142-)	
10.	312-234S	CTR DECK BLADE CARRIER ASSY	(S/N 160142-)	

**Deck Blade Carrier (S/N 160143+)**

Applies to RCFM45180



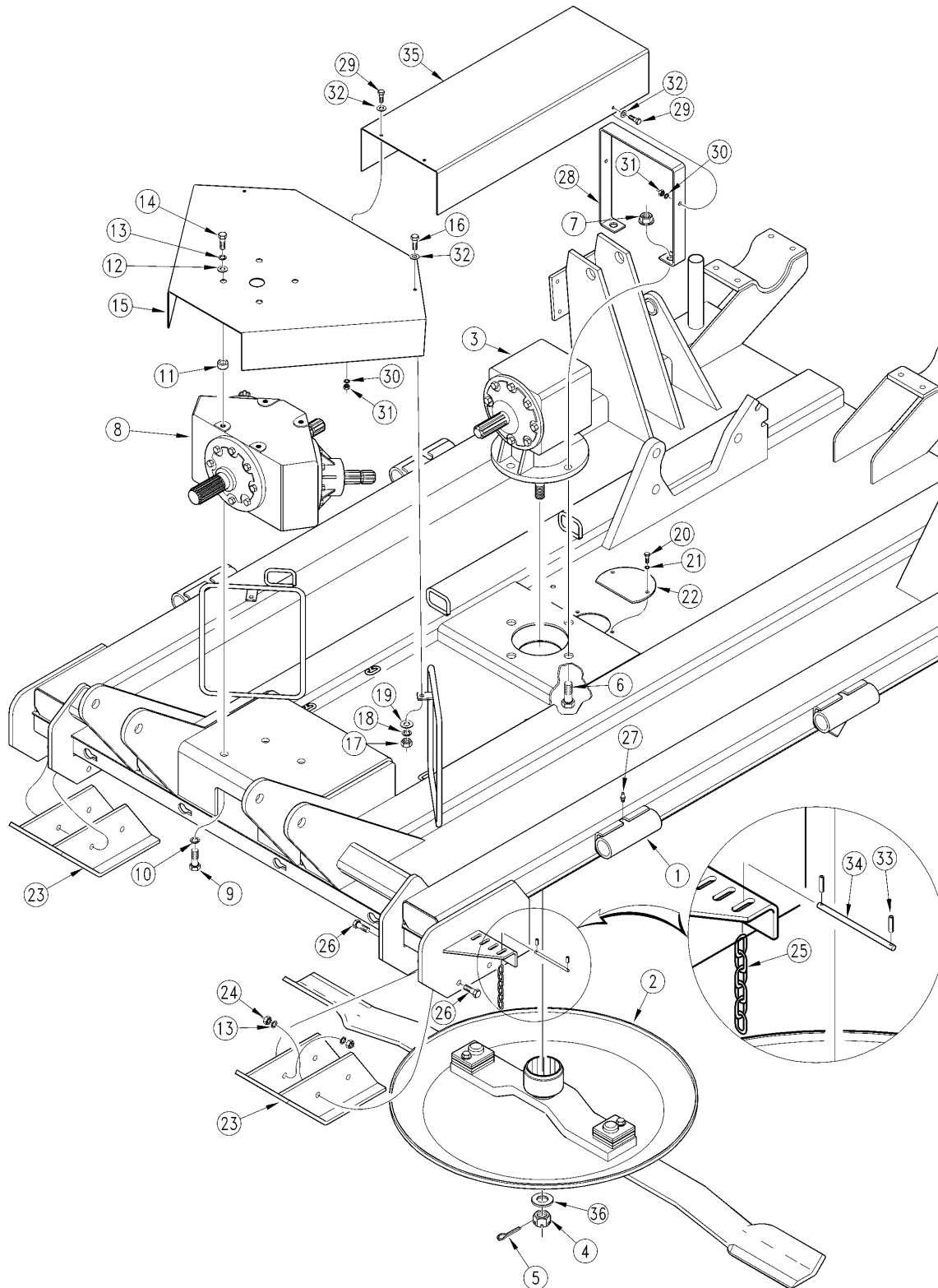
14327

**Deck Blade Carrier (S/N 160143+)****Applies to RCFM45180**

Ref	Part No.	Part Description	Comments	Revision
	dwg14327	Drawing Image Number		
1.	312-451S	LH DECK BLADE CARRIER ASSY		
1.	312-453S	RH DECK BLADE CARRIER ASSY		
2.	803-170C	NUT HEX LOCK 1 1/8-12 STA GR C		
3.	804-067C	WASHER LOCK 1 1/8		
4.	312-434H	15" ROUND DISHPAN WLDMT SHORT		
5.	820-112C	CUTTER BLADE 1/2 X 4 X 25 CW	Standard Blade Left Hand Deck. Quantity 2 per deck	
5.	820-209C	CUTTER BLADE 1/2X4X25 LL CW	Optional Blade Left Hand Deck. Quantity 2 per deck	
5.	820-137C	CUTTER BLADE 1/2 X 4 X 25 CCW	Standard Blade Right Hand and Center Deck. Quantity 2 per deck	
5.	820-193C	CUTTER BLADE 1/2X4X25 LL CCW	Optional Blade Right Hand and Center Deck. Quantity 2 per deck	
6.	802-277C	BLADE BOL 1 1/8-12X3 7/16 W/KY		
7.	312-452S	CTR DECK BLADE CARRIER ASSY		
8.	312-433H	27" OVAL DISHPAN WLDMNT SHORT		
9.	802-277C	BLADE BOL 1 1/8-12X3 7/16 W/KY		
10.	820-137C	CUTTER BLADE 1/2 X 4 X 25 CCW	Standard Blade Right Hand and Center Deck. Quantity 2 per deck	
10.	820-193C	CUTTER BLADE 1/2X4X25 LL CCW	Optional Blade Right Hand and Center Deck. Quantity 2 per deck	

**Deck Center (S/N 77360-)**

Applies to RCFM45180



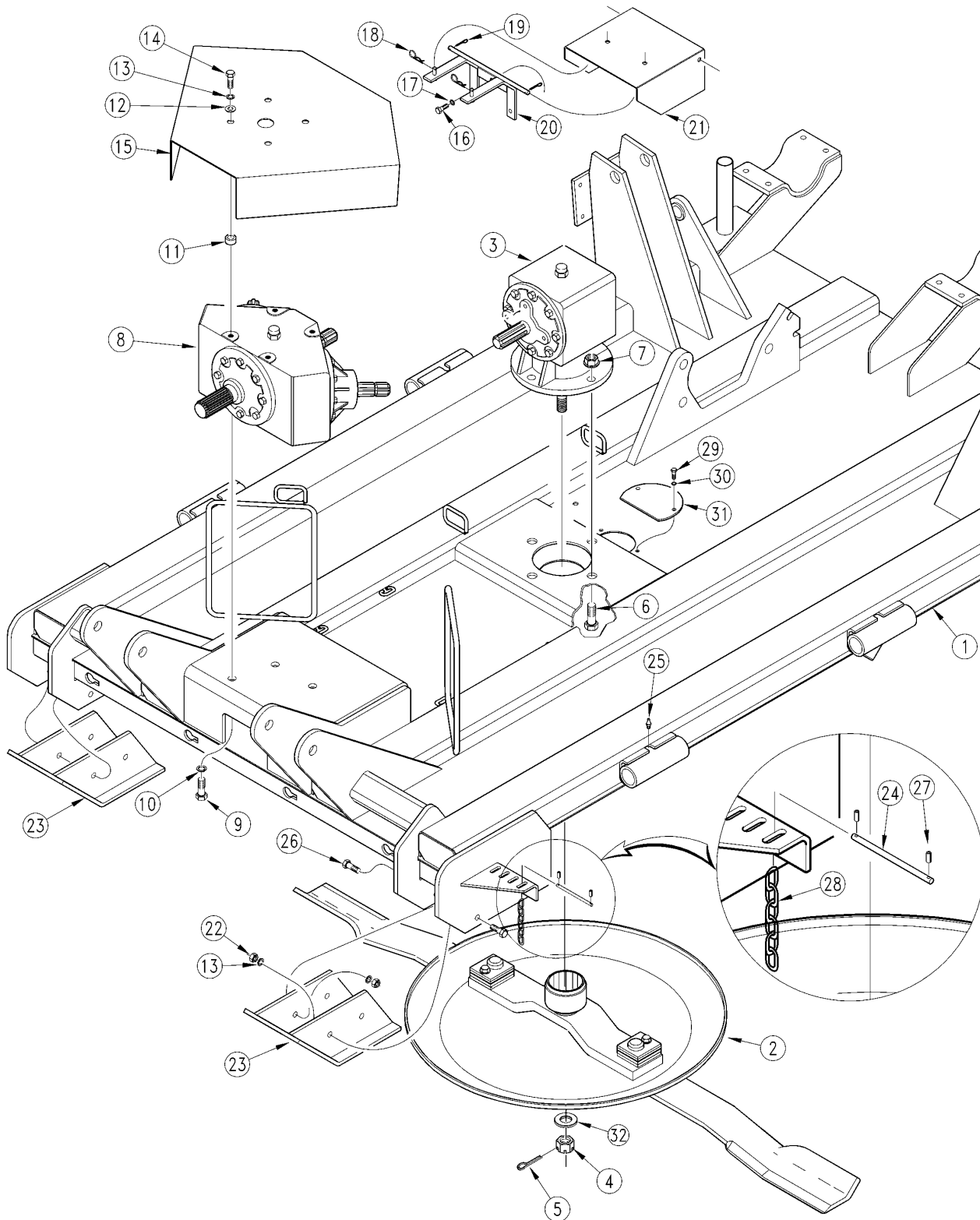
13170

**Deck Center (S/N 77360-)****Applies to RCFM45180**

Ref	Part No.	Part Description	Comments	Revision
	dwg13170	Drawing Image Number		
1.	312-205H	CENTER DECK WELDMENT		
2.	312-234S	CTR DECK BLADE CARRIER ASSY		
3.	826-376C	GBOX RC25 1.38-6 1:1.47 STD.	540 RPM Service Only	540 RPM Service Only
3.	826-035C	RPBY 826-376C	540 RPM Service Only	
3.	826-069C	RPBY 826-035C		
3.	826-060C	GEARBOX RC71SS 1.21:1 REDUC	1000 RPM Service Only	1000 RPM Service Only
3.	826-074C	RPBY 826-060C		
4.	803-095C	NUT HEX SLOTTED 1-14		
5.	805-017C	PIN COTTER 3/16 X 1 3/4 PLT		Rev. 2
5.	805-016C	PIN COTTER 3/16 X 1 1/4 PLT		Rev 1; Use up stock
6.	802-066C	HHCS 3/4-10X3 1/2 GR5		
7.	803-299C	NUT HEX FLG TOP LK 3/4-10 PLT		
8.	826-242C	DIV. BOX RCD101 1.75-20 1:1.15		540 RPM Service Only
8.	826-068C	RPBY 826-242C		
8.	826-253C	DIV.BOX RCD101 1.75-20 1.3:1	1000 RPM Service Only	1000 RPM Service Only
8.	826-072C	RPBY 826-253C		
9.	802-050C	HHCS 5/8-11X1 1/4 GR5		Rev. 2
9.	802-051C	HHCS 5/8-11X1 1/2 GR5		Rev 1; Use up stock
10.	804-022C	WASHER LOCK SPRING 5/8 PLT		
11.	310-024D	GAUGE WHEEL SPACER - SHORT		Rev. 2
11.	312-500D	RPBY 310-024D		Rev 1; Use up stock
12.	804-016C	WASHER FLAT 1/2 SAE PLT		
13.	804-015C	WASHER LOCK SPRING 1/2 PLT		
14.	802-091C	HHCS 1/2-13X1 1/2 GR5		
15.	312-544D	POWER DIVIDER SHIELD		
16.	802-017C	HHCS 3/8-16X1 GR5		
17.	803-014C	NUT HEX 3/8-16 PLT		
18.	804-013C	WASHER LOCK SPRING 3/8 PLT		
19.	804-012C	WASHER FLAT 3/8 SAE PLT		
20.	802-007C	HHCS 5/16-18X3/4 GR5		
21.	804-009C	WASHER LOCK SPRING 5/16 PLT		
22.	312-459D	ACCESS COVER - BLADE BOLT		
23.	312-218H	FRONT SKID SHOE WELDMENT		
24.	803-020C	NUT HEX 1/2-13 PLT		
25.	890-175C	CHAIN 5/16 PROOF X 6 LINKS PLT		
26.	802-091C	HHCS 1/2-13X1 1/2 GR5		
27.	800-080C	GREASE ZERK 1/4-28 THD FORMING		Rev. 2 not compat. w/Rev. 1
27.	800-001C	GREASE ZERK STRAIGHT 1/4-28		Rev. 1
28.	312-458D	SUPPORT - WING BOX GUARD		
29.	802-004C	HHCS 1/4-20X3/4 GR5		
30.	804-006C	WASHER LOCK SPRING 1/4 PLT		
31.	803-006C	NUT HEX 1/4-20 PLT		
32.	804-007C	WASHER FLAT 1/4 SAE PLT		
33.	805-136C	PIN ROLL 1/8 X 1 1/4 LG. PLT		
34.	312-509D	CHAIN HANGER ROD CTR FWD		
35.	312-098D	GUARD - CENTER GEARBOX		
36.	804-070C	FLAT WASHER 1 SPECIAL		

**Deck Center (S/N 77361 to 119280)**

Applies to RCFM45180



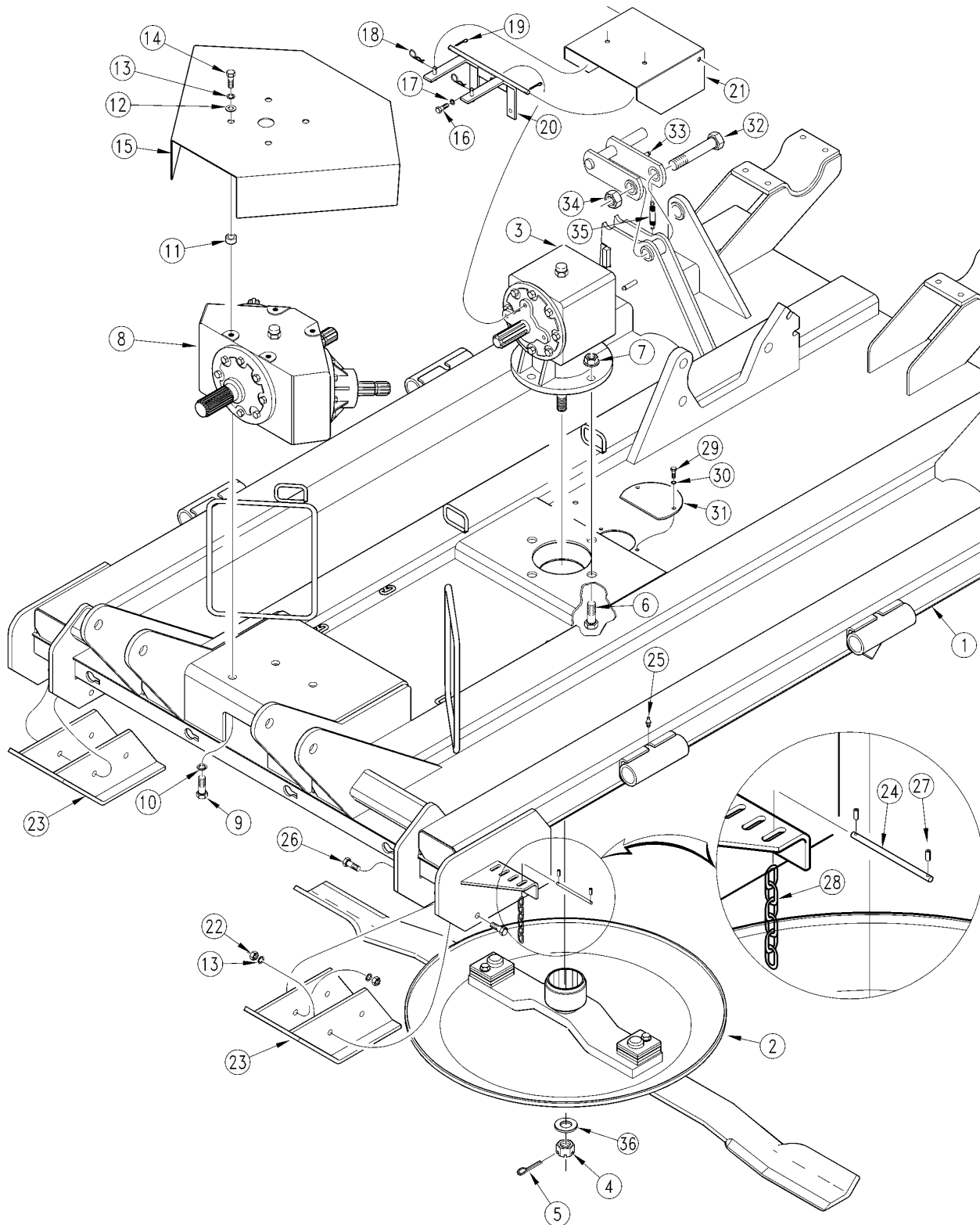
11028

**Deck Center (S/N 77361 to 119280)****Applies to RCFM45180**

Ref	Part No.	Part Description	Comments	Revision
	dwg11028	Drawing Image Number		
1.	312-205H	CENTER DECK WELDMENT		
2.	312-234S	CTR DECK BLADE CARRIER ASSY		
3.	826-376C	GBOX RC25 1.38-6 1:1.47 STD	540 RPM Service Only	540 RPM Service Only
3.	826-035C	RPBY 826-376C	540 RPM Service Only	
3.	826-069C	RPBY 826-035C		
3.	826-060C	GEARBOX RC71SS 1.21:1 REDUC	1000 RPM Service Only	1000 RPM Service Only
3.	826-074C	RPBY 826-060C		
4.	803-095C	NUT HEX SLOTTED 1-14		
5.	805-017C	PIN COTTER 3/16 X 1 3/4 PLT		
6.	802-066C	HHCS 3/4-10X3 1/2 GR5		
7.	803-299C	NUT HEX FLG TOP LK 3/4-10 PLT		
8.	826-242C	DIV. BOX RCD101 1.75-20 1:1.15	540 RPM Service Only	540 RPM Service Only
8.	826-068C	RPBY 826-242C		
8.	826-253C	DIV.BOX RCD101 1.75-20 1.3:1	1000 RPM Service Only	1000 RPM Service Only
8.	826-072C	RPBY 826-253C		
9.	802-050C	HHCS 5/8-11X1 1/4 GR5		
10.	804-022C	WASHER LOCK SPRING 5/8 PLT		
11.	310-024D	GAUGE WHEEL SPACER - SHORT		Rev. 2
11.	312-500D	RPBY 310-024D		Rev 1; Use up stock
12.	804-016C	WASHER FLAT 1/2 SAE PLT		
13.	804-015C	WASHER LOCK SPRING 1/2 PLT		
14.	802-091C	HHCS 1/2-13X1 1/2 GR5		
15.	312-544D	POWER DIVIDER SHIELD		
16.	802-017C	HHCS 3/8-16X1 GR5		
17.	804-013C	WASHER LOCK SPRING 3/8 PLT		
18.	805-010C	PIN HAIR COTTER .094		
19.	805-069C	PIN COTTER 3/16 X 1		
20.	312-334H	GEARBOX SHIELD SUPPORT WELDMT		
21.	312-540D	GEARBOX SHIELD		
22.	803-020C	NUT HEX 1/2-13 PLT		
23.	312-218H	FRONT SKID SHOE WELDMENT		
24.	312-509D	CHAIN HANGER ROD CTR FWD		
25.	800-080C	ZERK GREASE 1/4-28 THD FORMING		
26.	802-091C	HHCS 1/2-13X1 1/2 GR5		
27.	805-136C	PIN ROLL 1/8 X 1 1/4 LG. PLT		
28.	890-175C	CHAIN 5/16 PROOF X 6 LINKS PLT		
29.	802-007C	HHCS 5/16-18X3/4 GR5		
30.	804-009C	WASHER LOCK SPRING 5/16 PLT		
31.	312-459D	ACCESS COVER - BLADE BOLT		
32.	804-070C	FLAT WASHER 1 SPECIAL		

**Deck Center (S/N 119281 to 160142)**

Applies to RCFM45180



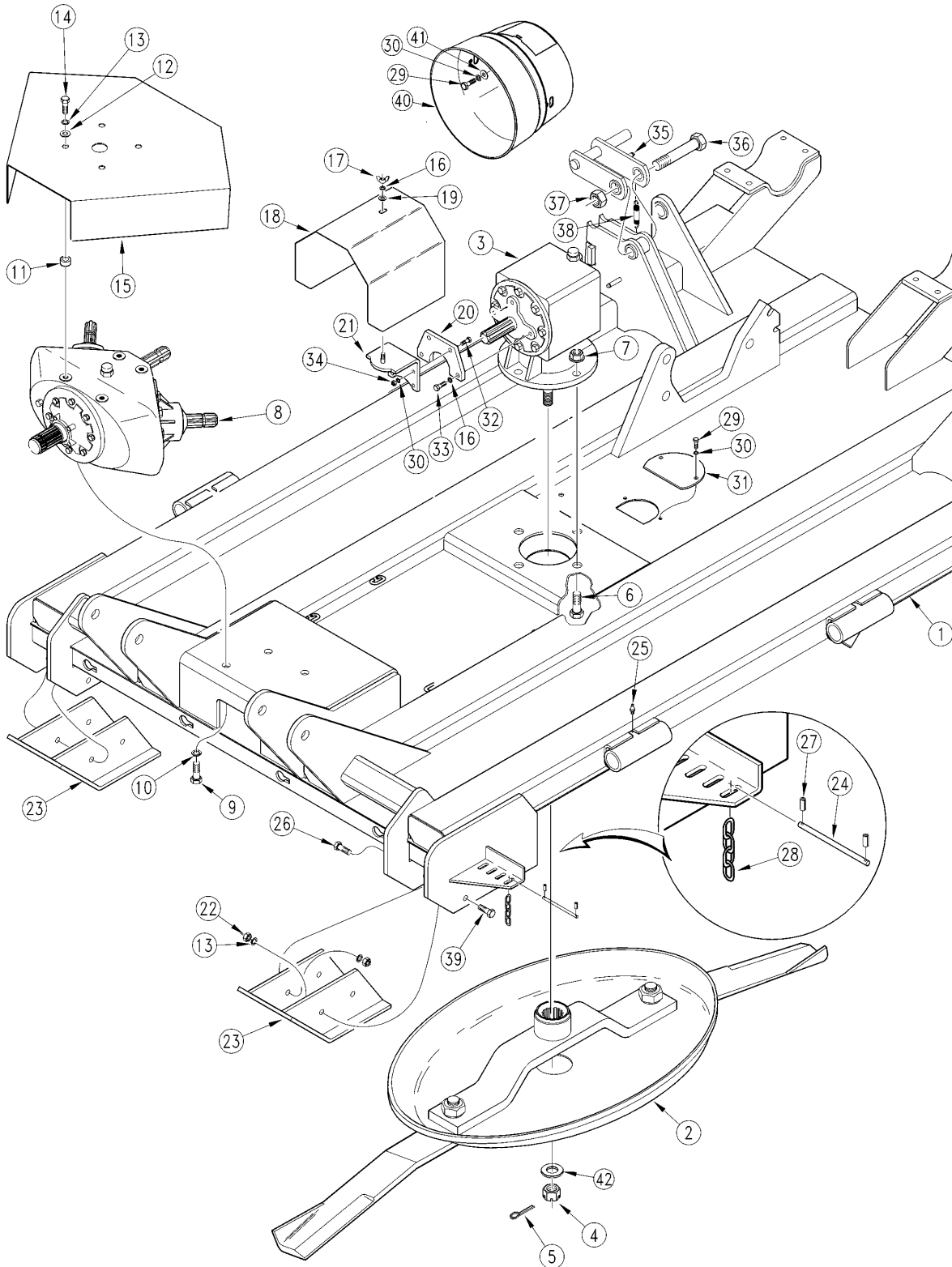


**Deck Center (S/N 119281 to 160142)****Applies to RCFM45180**

Ref	Part No.	Part Description	Comments	Revision
	dwg13164	Drawing Image Number		
1.	312-205H	CENTER DECK WELDMENT		
2.	312-234S	CTR DECK BLADE CARRIER ASSY		
3.	826-376C	GBOX RC25 1.38-6 1:1.47 STD.	540 RPM Service Only	
3.	826-035C	RPBY 826-376C	540 RPM Service Only	
3.	826-069C	RPBY 826-035C		
3.	826-060C	GEARBOX RC71SS 1.21:1 REDUC	1000 RPM Service Only	
3.	826-074C	RPBY 826-060C		
4.	803-095C	NUT HEX SLOTTED 1-14		
5.	805-017C	PIN COTTER 3/16 X 1 3/4 PLT		
6.	802-066C	HHCS 3/4-10X3 1/2 GR5		
7.	803-299C	NUT HEX FLG TOP LK 3/4-10 PLT		
8.	826-242C	DIV. BOX RCD101 1.75-20 1:1.15	540 RPM Service Only	
8.	826-068C	RPBY 826-242C		
8.	826-253C	DIV.BOX RCD101 1.75-20 1.3:1	1000 RPM Service Only	
8.	826-072C	RPBY 826-253C		
9.	802-050C	HHCS 5/8-11X1 1/4 GR5		
10.	804-022C	WASHER LOCK SPRING 5/8 PLT		
11.	310-024D	GAUGE WHEEL SPACER - SHORT		
12.	804-016C	WASHER FLAT 1/2 SAE PLT		
13.	804-015C	WASHER LOCK SPRING 1/2 PLT		
14.	802-091C	HHCS 1/2-13X1 1/2 GR5		
15.	312-544D	POWER DIVIDER SHIELD		
16.	802-017C	HHCS 3/8-16X1 GR5		
17.	804-013C	WASHER LOCK SPRING 3/8 PLT		
18.	805-010C	PIN HAIR COTTER .094		
19.	805-067C	PIN COTTER 1/8 X 3/4		
20.	312-334H	GEARBOX SHIELD SUPPORT WELDMT		
21.	312-540D	GEARBOX SHIELD		
22.	803-020C	NUT HEX 1/2-13 PLT		
23.	312-218H	FRONT SKID SHOE WELDMENT		
24.	312-509D	CHAIN HANGER ROD CTR FWD		
25.	800-080C	ZERK GREASE 1/4-28 THD FORMING		
26.	802-091C	HHCS 1/2-13X1 1/2 GR5		
27.	805-136C	PIN ROLL 1/8 X 1 1/4 LG. PLT		
28.	890-175C	CHAIN 5/16 PROOF X 6 LINKS PLT		
28.	890-400C	CHAIN WELD 5/16 PROOF X 4 LINK		
29.	802-007C	HHCS 5/16-18X3/4 GR5		
30.	804-009C	WASHER LOCK SPRING 5/16 PLT		
31.	312-459D	ACCESS COVER - BLADE BOLT		
32.	802-235C	HHCS 1-8X5 GR5	(S/N 119,281+)	
33.	312-372H	WING LOCK W/HANDLE WELDMENT	(S/N 119281+)	
34.	803-038C	NUT HEX 1-8 NYLON INSERT PLT	(S/N 119281+)	
35.	807-026C	PIVOT STOP SPRING	(S/N 119281+)	
36.	804-070C	FLAT WASHER 1 SPECIAL		

**Deck Center (S/N 160143+)**

Applies to RCFM45180



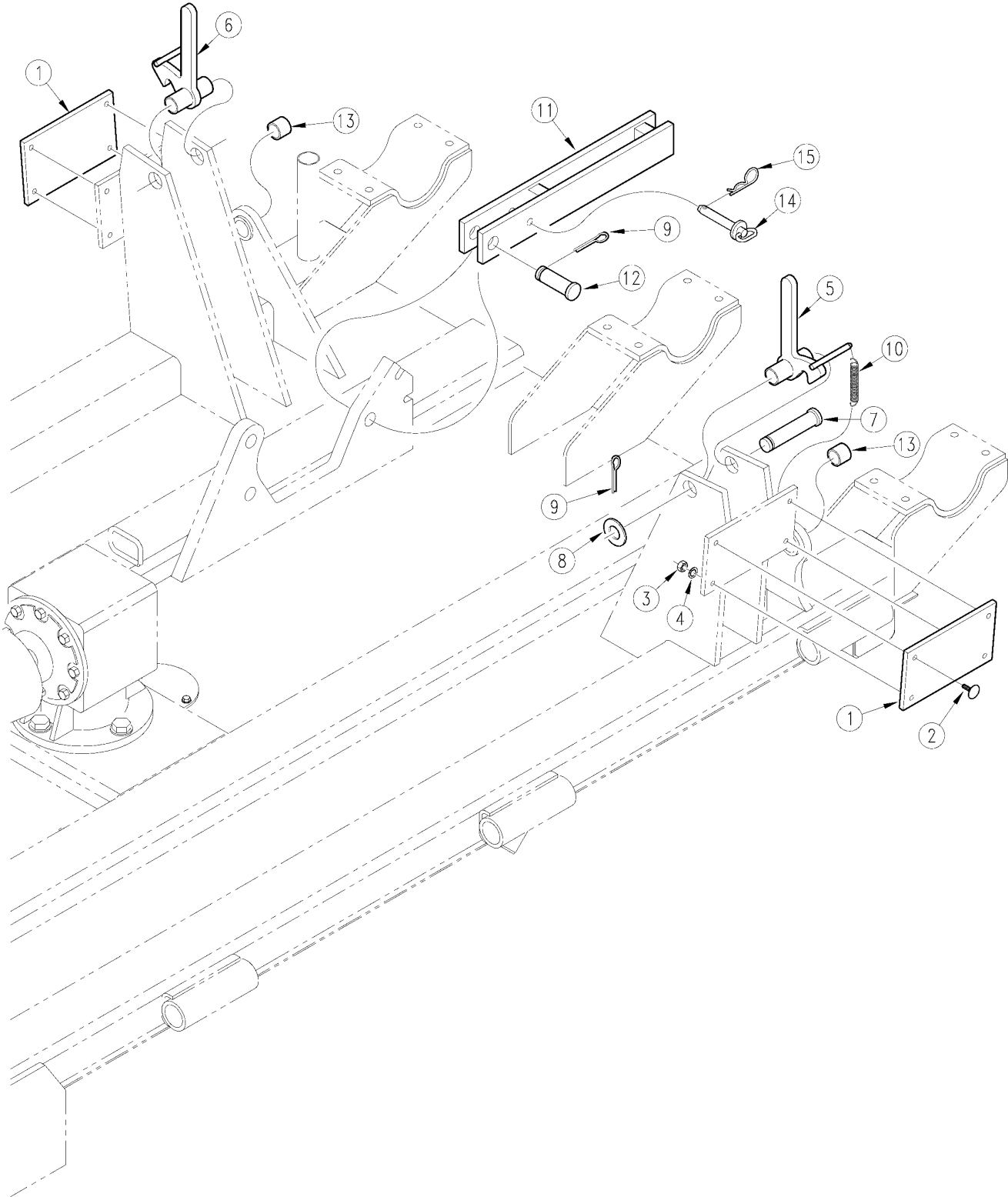
14087

**Deck Center (S/N 160143+)****Applies to RCFM45180**

Ref	Part No.	Part Description	Comments	Revision
	dwg14087	Drawing Image Number		
1.	312-205H	CENTER DECK WELDMENT		
2.	312-452S	CTR DECK BLADE CARRIER ASSY		
3.	826-376C	GBOX RC25 1.38-6 1:1.47 STD.	540 RPM Service Only	
3.	826-035C	RPBY 826-376C	540 RPM Service Only	
3.	826-069C	RPBY 826-035C		
3.	826-060C	GEARBOX RC71SS 1.21:1 REDUC	1000 RPM Service Only	
3.	826-074C	RPBY 826-060C		
4.	803-095C	NUT HEX SLOTTED 1-14		
5.	805-017C	PIN COTTER 3/16 X 1 3/4 PLT		
6.	802-066C	HHCS 3/4-10X3 1/2 GR5		
7.	803-299C	NUT HEX FLG TOP LK 3/4-10 PLT		
8.	826-242C	DIV. BOX RCD101 1.75-20 1:1.15	540 RPM Service Only	
8.	826-068C	RPBY 826-242C		
8.	826-253C	DIV.BOX RCD101 1.75-20 1.3:1	1000 RPM Service Only	
8.	826-072C	RPBY 826-253C		
9.	802-050C	HHCS 5/8-11X1 1/4 GR5		
10.	804-022C	WASHER LOCK SPRING 5/8 PLT		
11.	310-024D	GAUGE WHEEL SPACER - SHORT		
12.	804-016C	WASHER FLAT 1/2 SAE PLT		
13.	804-015C	WASHER LOCK SPRING 1/2 PLT		
14.	802-091C	HHCS 1/2-13X1 1/2 GR5		
15.	312-544D	POWER DIVIDER SHIELD		
16.	804-013C	WASHER LOCK SPRING 3/8 PLT		
17.	803-231C	NUT WING 3/8-16 PLT		
18.	312-399H	SHIELD WELDMENT	Used on ITG gearboxes only	
19.	804-012C	WASHER FLAT 3/8 SAE PLT		
20.	312-633D	GEARBOX SHIELD MOUNT BRACKET		
21.	312-400H	SHIELD MOUNT BRACKET WELDMENT		
22.	803-020C	NUT HEX 1/2-13 PLT		
23.	312-218H	FRONT SKID SHOE WELDMENT		
24.	312-509D	CHAIN HANGER ROD CTR FWD		
25.	800-080C	ZERK GREASE 1/4-28 THD FORMING		
26.	802-091C	HHCS 1/2-13X1 1/2 GR5		
27.	805-136C	PIN ROLL 1/8 X 1 1/4 LG. PLT		
28.	890-400C	CHAIN WELD 5/16 PROOF X 4 LINK		
29.	802-007C	HHCS 5/16-18X3/4 GR5		
30.	804-009C	WASHER LOCK SPRING 5/16 PLT		
31.	312-459D	ACCESS COVER - BLADE BOLT		
32.	802-159C	HHCS 5/16-18X1 GR5		
33.	802-017C	HHCS 3/8-16X1 GR5		
34.	802-159C	HHCS 5/16-18X1 GR5		
35.	312-372H	WING LOCK W/HANDLE WELDMENT		
36.	802-235C	HHCS 1-8X5 GR5		
37.	803-038C	NUT HEX 1-8 NYLON INSERT PLT		
38.	807-026C	PIVOT STOP SPRING		
39.	802-091C	HHCS 1/2-13X1 1/2 GR5		
40.	826-222C	LARGE SHAFT CONE W ACCESS DOOR	Used on OMNI gearboxes only	
41.	804-036C	WASHER FLAT 5/16 SAE PLT		
42.	804-070C	FLAT WASHER 1 SPECIAL		

**Deck Center (S/N 160143+) Continued**

Applies to RCFM45180



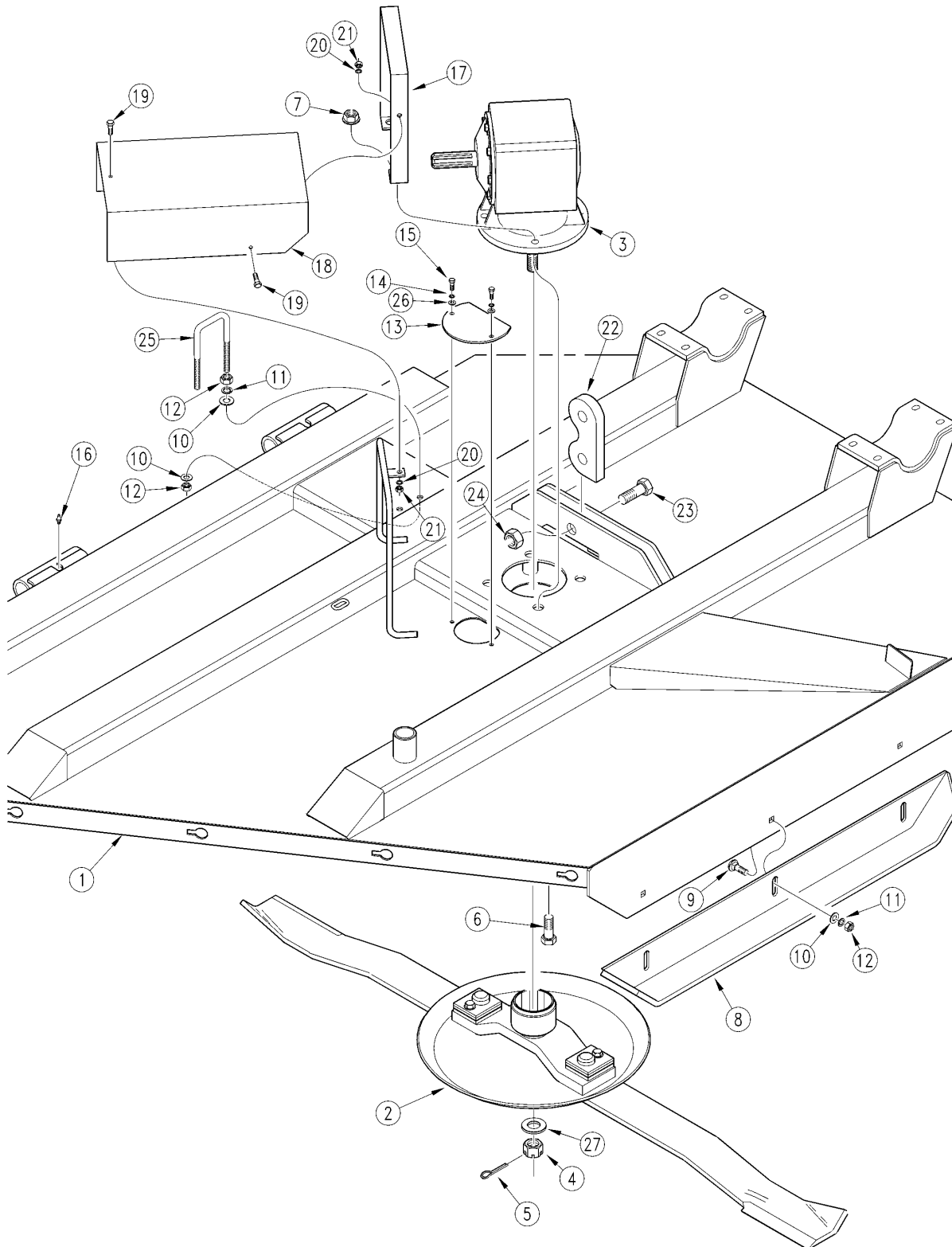
11029

**Deck Center (S/N 160143+) Continued****Applies to RCFM45180**

<b>Ref</b>	<b>Part No.</b>	<b>Part Description</b>	<b>Comments</b>	<b>Revision</b>
	dwg11029	Drawing Image Number		
1.	816-123C	WING STOP RUBBER	(S/N 119280-)	
2.	802-342C	ELEVATOR 1/4-20X1	(S/N 119280-)	
3.	803-006C	NUT HEX 1/4-20 PLT	(S/N 119280-)	
4.	804-049C	WASHER LOCK INTERNAL TOOTH 1/4	(S/N 119280-)	
5.	312-227H	WING LATCH LH	(S/N 119280-)	
6.	312-228H	WING LATCH RH	(S/N 119280-)	
7.	805-131C	PIN CLEVIS 1 X 4 3/4 USABLE	(S/N 119280-)	
8.	804-029C	WASHER FLAT 1 SAE PLT	(S/N 119280-)	
9.	805-104C	PIN COTTER 3/16 X 1 1/2 PLT		
10.	807-026C	PIVOT STOP SPRING	(S/N 119280-)	
11.	312-217H	TRANSPORT LINK WELDMENT		
11.	312-356H	AIRCRAFT TIRE TRANSPORT LINK	Used Only With 814-086C	
12.	805-004C	PIN CLEVIS 1 X 2 3/4 USABLE LG		
13.	890-005C	BUSHING CYL 1 1/4 X 1 X 1		
14.	805-002C	PIN HITCH 1/2 X 3 USABLE LG		
15.	805-032C	PIN HAIR COTTER .148 WIRE		

**Deck Left & Right Hand (S/N 77361-)**

Applies to RCFM45180



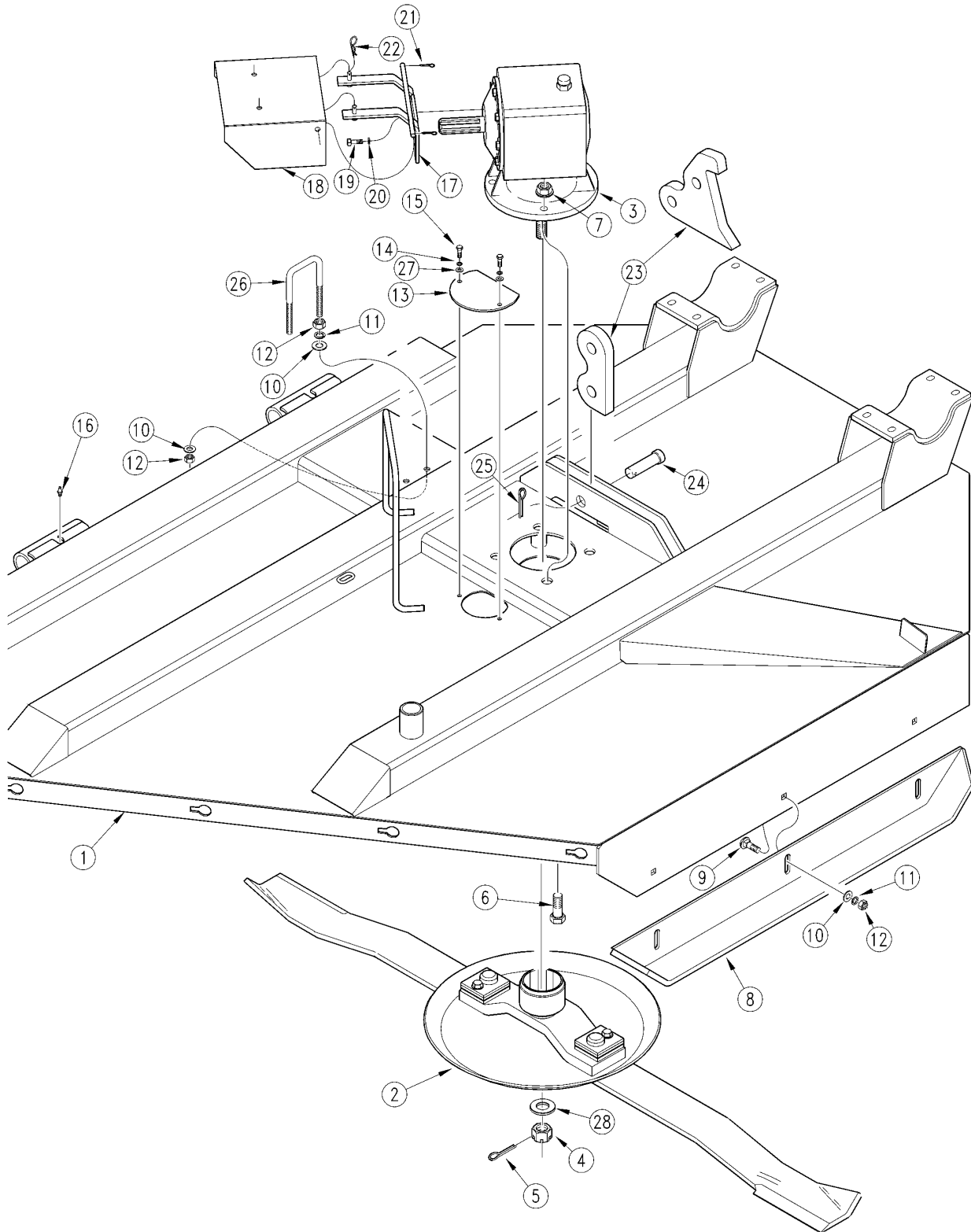
14315

**Deck Left & Right Hand (S/N 77361-)****Applies to RCFM45180**

Ref	Part No.	Part Description	Comments	Revision
	dwg14315	Drawing Image Number		
1.	312-206H	LEFT WING DECK WELDMENT		
1.	312-207H	RIGHT WING DECK WELDMENT		
2.	312-233S	LH DECK BLADE CARRIER ASSY		
2.	312-235S	RH DECK BLADE CARRIER ASSY		
3.	826-376C	GBOX RC25 1.38-6 1:1.47 STD	LH Deck 540 RPM Service Only	
3.	826-035C	RPBY 826-376C	LH Deck 540 RPM Service Only	
3.	826-069C	RPBY 826-035C		
3.	826-241C	GBOX RC71 1-3/8"-6A 1:1.46 CCW	RH Deck 540 RPM Service Only	
3.	826-070C	RPBY 826-241C		
3.	826-038C	GEARBOX RC71SR 1:1.21 INCREASE	LH Deck 1000 RPM Service Only	
3.	826-073C	RPBY 826-038C		
3.	826-254C	GBOX RC71 REV. 1:1.21 1 3/8-6	RH Deck 1000 RPM Service Only	
3.	826-075C	RPBY 826-254C		
4.	803-095C	NUT HEX SLOTTED 1-14		
5.	805-017C	PIN COTTER 3/16 X 1 3/4 PLT		Rev. 2
5.	805-016C	PIN COTTER 3/16 X 1 1/4 PL	(RPBY 805-017C)	Rev 1; Use up stock
6.	802-066C	HHCS 3/4-10X3 1/2 GR5		
7.	803-299C	NUT HEX FLG TOP LK 3/4-10 PLT		
8.	312-226H	WING SKID SHOE WELDMENT		
9.	802-214C	RHSNB 1/2-13X1 1/4 GR5		
10.	804-016C	WASHER FLAT 1/2 SAE PLT	(RPBY 803-169C; Only On Skid Shoe)	
11.	804-015C	WASHER LOCK SPRING 1/2 PLT	(RPBY 803-169C; Only On Skid Shoe)	
12.	803-169C	NUT HEX FLG. LOCK 1/2-13 PLT	(Rplcs 803-020C, 804-015C & 804-016C; Only On Skid Shoe)	Rev. 2
12.	803-020C	NUT HEX 1/2-13 PLT	(RPBY 803-169C; Only On Skid Shoe)	Rev 1; Use up stock
13.	312-459D	ACCESS COVER - BLADE BOLT		
14.	804-009C	WASHER LOCK SPRING 5/16 PLT		
15.	802-007C	HHCS 5/16-18X3/4 GR5		
16.	800-080C	ZERK GREASE 1/4-28 THD FORMING		Rev. 2 not compat. w/Rev. 1
16.	800-001C	GREASE ZERK STRAIGHT 1/4-28		Rev. 1
17.	312-458D	SUPPORT - WING BOX GUARD		
18.	312-455D	GUARD WING BOX		
19.	802-004C	HHCS 1/4-20X3/4 GR5		
20.	804-007C	WASHER FLAT 1/4 SAE PLT		
21.	803-006C	NUT HEX 1/4-20 PLT		
22.	312-239D	PIVOT LINK - WING FLOAT		
23.	805-145C	PIN CLEVIS 1 X 1 61/64 USABLE	(Must Be Ordered With 805-104C)	Rev. 2 not compat. w/Rev. 1
23.	802-181C	HHCS 1-8X3 GR5 FTHD	(RPBY 805-145C)	Rev. 1
24.	805-104C	PIN COTTER 3/16 X 1 1/2 PLT	(Must Be Ordered With 805-145C)	Rev. 2 not compat. w/Rev. 1
24.	803-038C	NUT HEX 1-8 NYLON INSERT PLT	(RPBY 805-104C)	Rev. 1
25.	806-072C	U-BOLT 1/2-13 X 2 X 5 17/32		
26.	804-010C	WASHER FLAT 5/16 USS PLT		
27.	804-070C	FLAT WASHER 1 SPECIAL		

**Deck Left & Right Hand (S/N 77362 to 119280)**

Applies to RCFM45180



14332

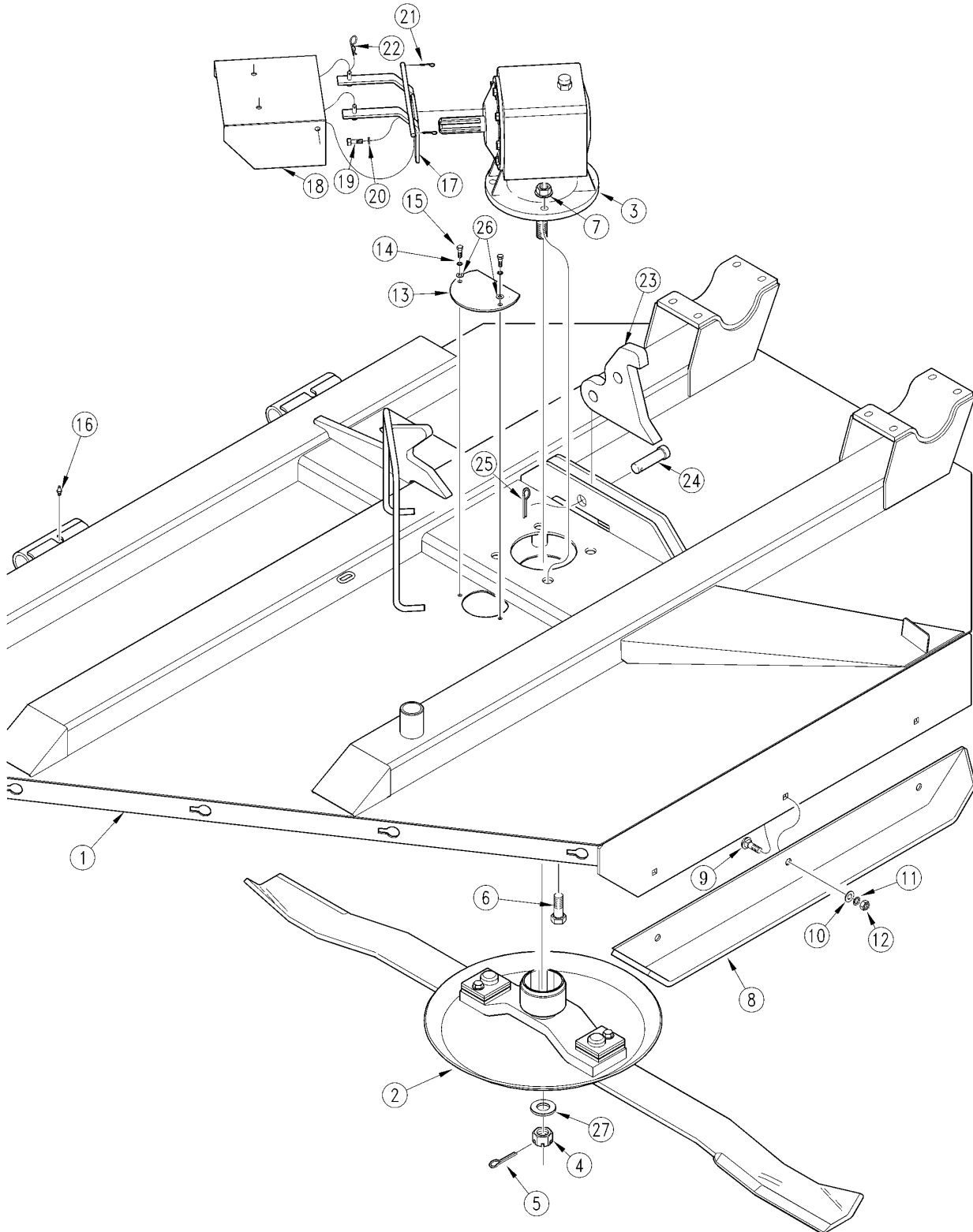


**Deck Left & Right Hand (S/N 77362 to 119280)****Applies to RCFM45180**

Ref	Part No.	Part Description	Comments	Revision
	dwg14332	Drawing Image Number		
1.	312-206H	LEFT WING DECK WELDMENT		
1.	312-207H	RIGHT WING DECK WELDMENT		
2.	312-233S	LH DECK BLADE CARRIER ASSY		
2.	312-235S	RH DECK BLADE CARRIER ASSY		
3.	826-376C	GBOX RC25 1.38-6 1:1.47 STD	LH Deck 540 RPM Service Only	
3.	826-035C	RPBY 826-376C	LH Deck 540 RPM Service Only	
3.	826-069C	RPBY 826-035C		
3.	826-241C	GBOX RC71 1-3/8"-6A 1:1.46 CCW	RH Deck 540 RPM Service Only	
3.	826-070C	RPBY 826-241C		
3.	826-038C	GEARBOX RC71SR 1:1.21 INCREASE	LH Deck 1000 RPM Service Only	
3.	826-073C	RPBY 826-038C		
3.	826-254C	GBOX RC71 REV. 1:1.21 1 3/8-6	RH Deck 1000 RPM Service Only	
3.	826-075C	RPBY 826-254C		
4.	803-095C	NUT HEX SLOTTED 1-14		
5.	805-017C	PIN COTTER 3/16 X 1 3/4 PLT		
6.	802-066C	HHCS 3/4-10X3 1/2 GR5		
7.	803-299C	NUT HEX FLG TOP LK 3/4-10 PLT		
8.	312-226H	WING SKID SHOE WELDMENT		
9.	802-214C	RHSNB 1/2-13X1 1/4 GR5		
10.	804-016C	WASHER FLAT 1/2 SAE PLT	(RPBY 803-169C; Only On Skid Shoe)	Use up stock
11.	804-015C	WASHER LOCK SPRING 1/2 PLT	(RPBY 803-169C; Only On Skid Shoe)	Use up stock
12.	803-169C	NUT HEX FLG. LOCK 1/2-13 PLT	(Rplcs 803-020C, 804-015C & 804-016C; Only On Skid Shoe)	Rev. 2
12.	803-020C	NUT HEX 1/2-13 PLT	(RPBY 803-169C; Only On Skid Shoe)	Rev 1; Use up stock
13.	312-459D	ACCESS COVER - BLADE BOLT		
14.	804-009C	WASHER LOCK SPRING 5/16 PLT		
15.	802-007C	HHCS 5/16-18X3/4 GR5		
16.	800-080C	ZERK GREASE 1/4-28 THD FORMING		
17.	312-334H	GEARBOX SHIELD SUPPORT WELDMT		
18.	312-540D	GEARBOX SHIELD		
19.	802-017C	HHCS 3/8-16X1 GR5		
20.	804-013C	WASHER LOCK SPRING 3/8 PLT		
21.	805-069C	PIN COTTER 3/16 X 1		
22.	805-010C	PIN HAIR COTTER .094		
23.	312-566D	PIVOT LINK - WING FLOAT	(S/N 108058+)	
23.	312-239D	PIVOT LINK - WING FLOAT	(S/N 108057-)	
24.	805-145C	PIN CLEVIS 1 X 1 61/64 USABLE	(Must Be Ordered With 805-104C)	Rev. 2 not compat. w/Rev. 1
24.	802-181C	HHCS 1-8X3 GR5 FTHD	(RP By 805-145C)	Rev. 1
25.	805-104C	PIN COTTER 3/16 X 1 1/2 PLT	(Must Be Ordered With 805-145C)	Rev. 2 not compat. w/Rev. 1
25.	803-038C	NUT HEX 1-8 NYLON INSERT PLT	(RP By 805-104C)	Rev. 1
26.	806-072C	U-BOLT 1/2-13 X 2 X 5 17/32		
27.	804-010C	WASHER FLAT 5/16 USS PLT		
28.	804-070C	FLAT WASHER 1 SPECIAL		

**Deck Left & Right Hand (S/N 119281 to 160142)**

Applies to RCFM45180



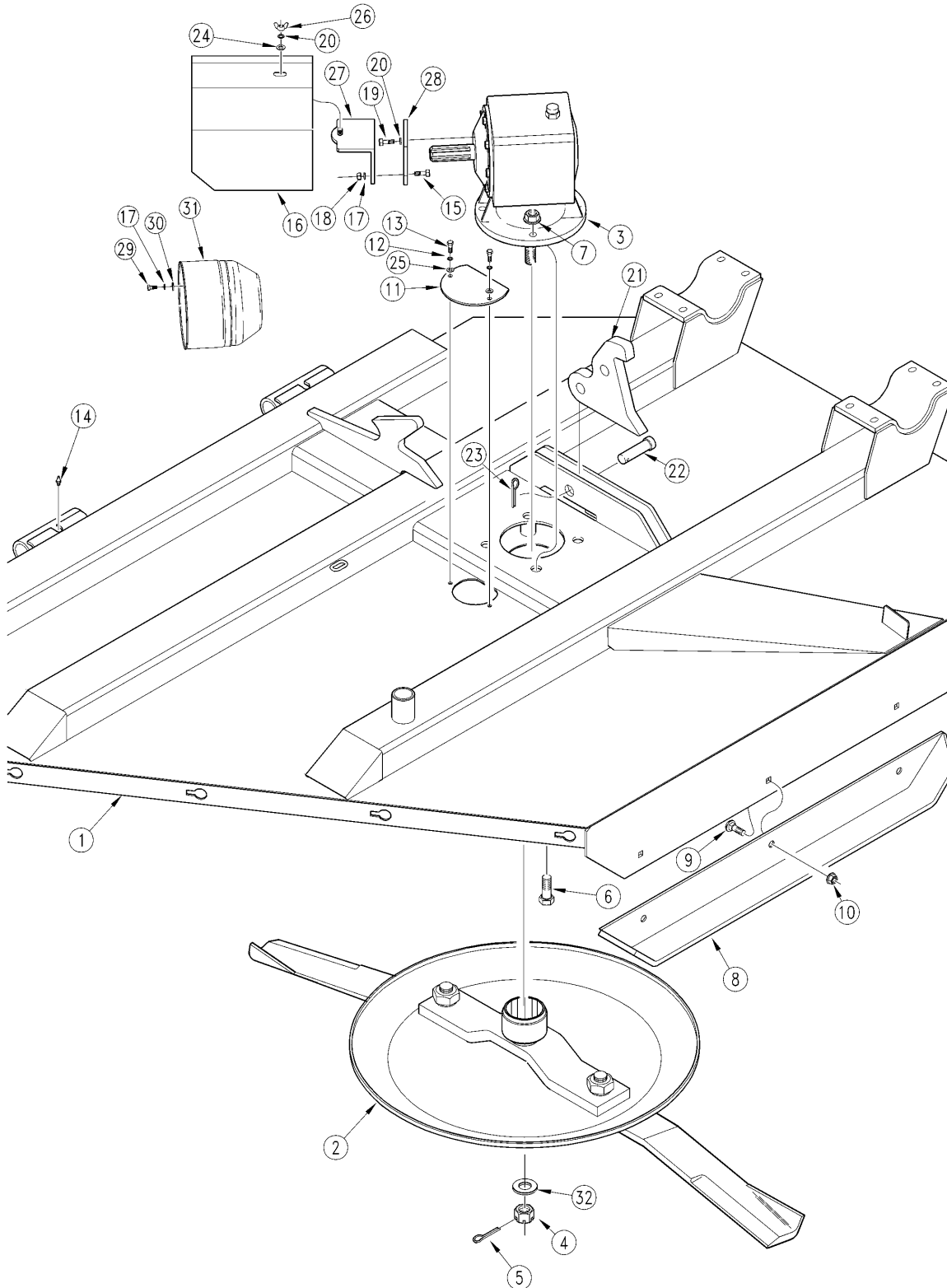
11030

**Deck Left & Right Hand (S/N 119281 to 160142)****Applies to RCFM45180**

Ref	Part No.	Part Description	Comments	Revision
	dwg11030	Drawing Image Number		
1.	312-206H	LEFT WING DECK WELDMENT		
1.	312-207H	RIGHT WING DECK WELDMENT		
2.	312-233S	LH DECK BLADE CARRIER ASSY		
2.	312-235S	RH DECK BLADE CARRIER ASSY		
3.	826-376C	GBOX RC25 1.38-6 1:1.47 STD	LH Deck 540 RPM Service Only	
3.	826-035C	RPBY 826-376C	LH Deck 540 RPM Service Only	
3.	826-069C	RPBY 826-035C		
3.	826-241C	GBOX RC71 1-3/8"-6A 1:1.46 CCW	RH Deck 540 RPM Service Only	
3.	826-070C	RPBY 826-241C		
3.	826-038C	GEARBOX RC71SR 1:1.21 INCREASE	LH Deck 1000 RPM Service Only	
3.	826-073C	RPBY 826-038C		
3.	826-254C	GBOX RC71 REV. 1:1.21 1 3/8-6	RH Deck 1000 RPM Service Only	
3.	826-075C	RPBY 826-254C		
4.	803-095C	NUT HEX SLOTTED 1-14		
5.	805-017C	PIN COTTER 3/16 X 1 3/4 PLT		
6.	802-066C	HHCS 3/4-10X3 1/2 GR5		
7.	803-299C	NUT HEX FLG TOP LK 3/4-10 PLT		
8.	312-226H	WING SKID SHOE WELDMENT		
9.	802-214C	RHSNB 1/2-13X1 1/4 GR5		
10.	804-016C	WASHER FLAT 1/2 SAE PLT	(RPBY 803-169C)	Rev 1; Use up stock
11.	804-015C	WASHER LOCK SPRING 1/2 PLT	(RPBY 803-169C)	Rev 1; Use up stock
12.	803-169C	NUT HEX FLG. LOCK 1/2-13 PLT	(Replaces 803-020C, 804-015C & 804-016C)	Rev. 2
12.	803-020C	NUT HEX 1/2-13 PLT	(RPBY 803-169C)	Rev 1; Use up stock
13.	312-459D	ACCESS COVER - BLADE BOLT		
14.	804-009C	WASHER LOCK SPRING 5/16 PLT		
15.	802-007C	HHCS 5/16-18X3/4 GR5		
16.	800-080C	ZERK GREASE 1/4-28 THD FORMING		
17.	312-334H	GEARBOX SHIELD SUPPORT WELDMT		
18.	312-540D	GEARBOX SHIELD		
19.	802-017C	HHCS 3/8-16X1 GR5		
20.	804-013C	WASHER LOCK SPRING 3/8 PLT		
21.	805-067C	PIN COTTER 1/8 X 3/4		
22.	805-010C	PIN HAIR COTTER .094		
23.	312-566D	PIVOT LINK - WING FLOAT		
24.	805-145C	PIN CLEVIS 1 X 1 61/64 USABLE		
25.	805-104C	PIN COTTER 3/16 X 1 1/2 PLT		
26.	804-010C	WASHER FLAT 5/16 USS PLT		
27.	804-070C	FLAT WASHER 1 SPECIAL		

**Deck Left & Right Hand (S/N 160143+)**

Applies to RCFM45180



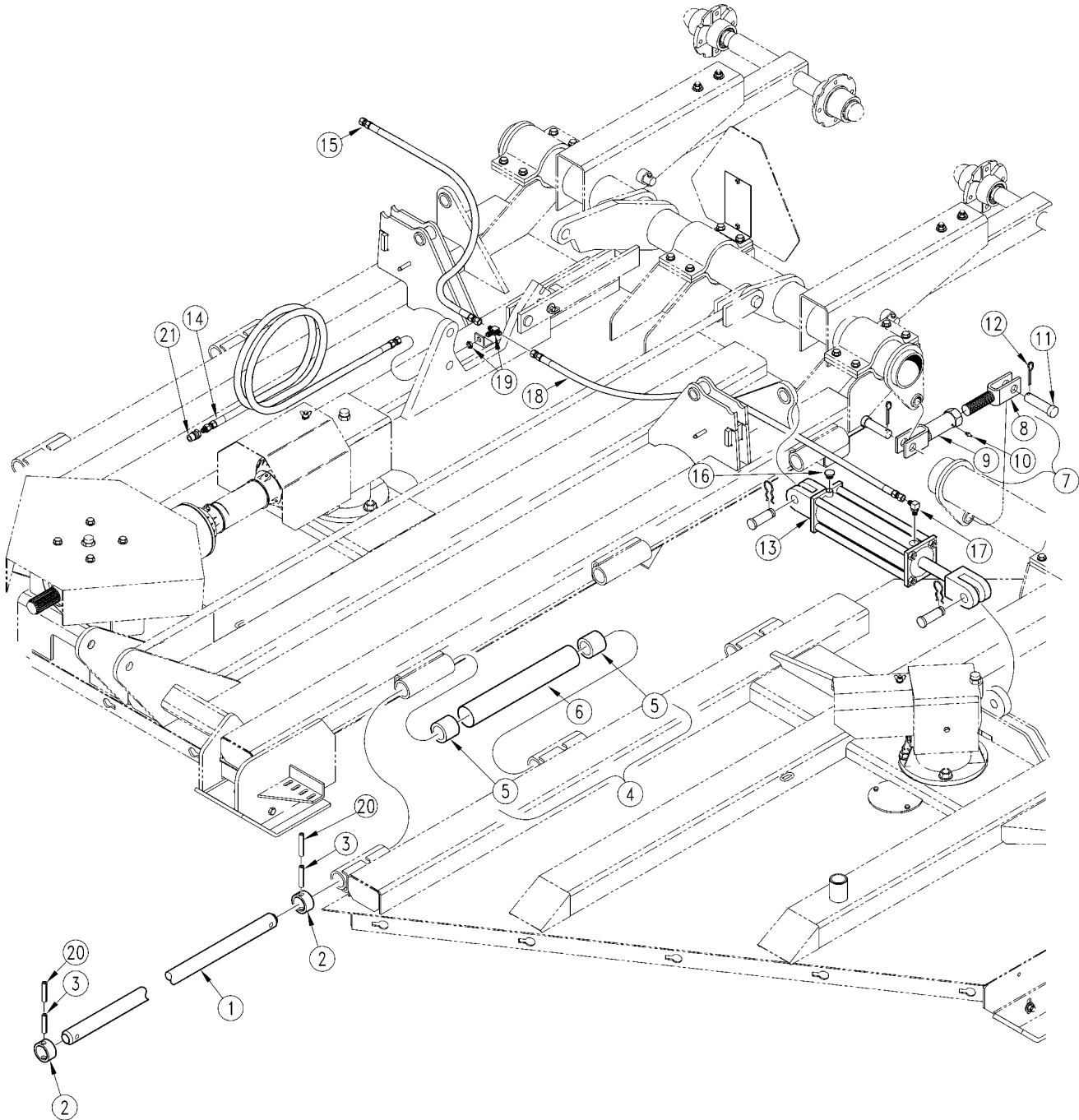
14089

**Deck Left & Right Hand (S/N 160143+)****Applies to RCFM45180**

Ref	Part No.	Part Description	Comments	Revision
	dwg14089	Drawing Image Number		
1.	312-206H	LEFT WING DECK WELDMENT		
1.	312-207H	RIGHT WING DECK WELDMENT		
2.	312-451S	LH DECK BLADE CARRIER ASSY		
2.	312-453S	RH DECK BLADE CARRIER ASSY		
3.	826-376C	GBOX RC25 1.38-6 1:1.47 STD	LH Deck 540 RPM Service Only	
3.	826-035C	RPBY 826-376C	LH Deck 540 RPM Service Only	
3.	826-069C	RPBY 826-035C		
3.	826-241C	GBOX RC71 1-3/8"-6A 1:1.46 CCW	RH Deck 540 RPM Service Only	
3.	826-070C	RPBY 826-241C		
3.	826-038C	GEARBOX RC71SR 1:1.21 INCREASE	LH Deck 1000 RPM Service Only	
3.	826-073C	RPBY 826-038C		
3.	826-254C	GBOX RC71 REV. 1:1.21 1 3/8-6	RH Deck 1000 RPM Service Only	
3.	826-075C	RPBY 826-254C		
4.	803-095C	NUT HEX SLOTTED 1-14		
5.	805-017C	PIN COTTER 3/16 X 1 3/4 PLT		
6.	802-066C	HHCS 3/4-10X3 1/2 GR5		
7.	803-299C	NUT HEX FLG TOP LK 3/4-10 PLT		
8.	312-446H	SKID SHOE REVERSIBLE WELDMENT		
9.	802-214C	RHSNB 1/2-13X1 1/4 GR5		
10.	803-169C	NUT HEX FLG. LOCK 1/2-13 PLT.		
11.	312-459D	ACCESS COVER - BLADE BOLT		
12.	804-009C	WASHER LOCK SPRING 5/16 PLT		
13.	802-007C	HHCS 5/16-18X3/4 GR5		
14.	800-080C	ZERK GREASE 1/4-28 THD FORMING		
15.	802-159C	HHCS 5/16-18X1 GR5		
16.	312-399H	SHIELD WELDMENT		
17.	804-009C	WASHER LOCK SPRING 5/16 PLT		
18.	803-008C	NUT HEX 5/16-18 PLT		
19.	802-017C	HHCS 3/8-16X1 GR5		
20.	804-013C	WASHER LOCK SPRING 3/8 PLT		
21.	312-566D	PIVOT LINK - WING FLOAT		
22.	805-145C	PIN CLEVIS 1 X 1 61/64 USABLE		
23.	805-104C	PIN COTTER 3/16 X 1 1/2 PLT		
24.	804-012C	WASHER FLAT 3/8 SAE PLT		
25.	804-010C	WASHER FLAT 5/16 USS PLT		
26.	803-231C	NUT WING 3/8-16 PLT		
27.	312-400H	SHIELD MOUNT BRACKET WELDMENT		
28.	312-633D	GEARBOX SHIELD MOUNT BRACKET		
29.	802-007C	HHCS 5/16-18X3/4 GR5	Replacement shields on OMNI Gearboxes only	
30.	804-010C	WASHER FLAT 5/16 USS PLT	Replacement shields on OMNI Gearboxes only	
31.	826-222C	LARGE SHAFT CONE W ACCESS DOOR	Replacement shields on OMNI Gearboxes only	
32.	804-070C	FLAT WASHER 1 SPECIAL		

# Deck Lift

Applies to RCFM45180



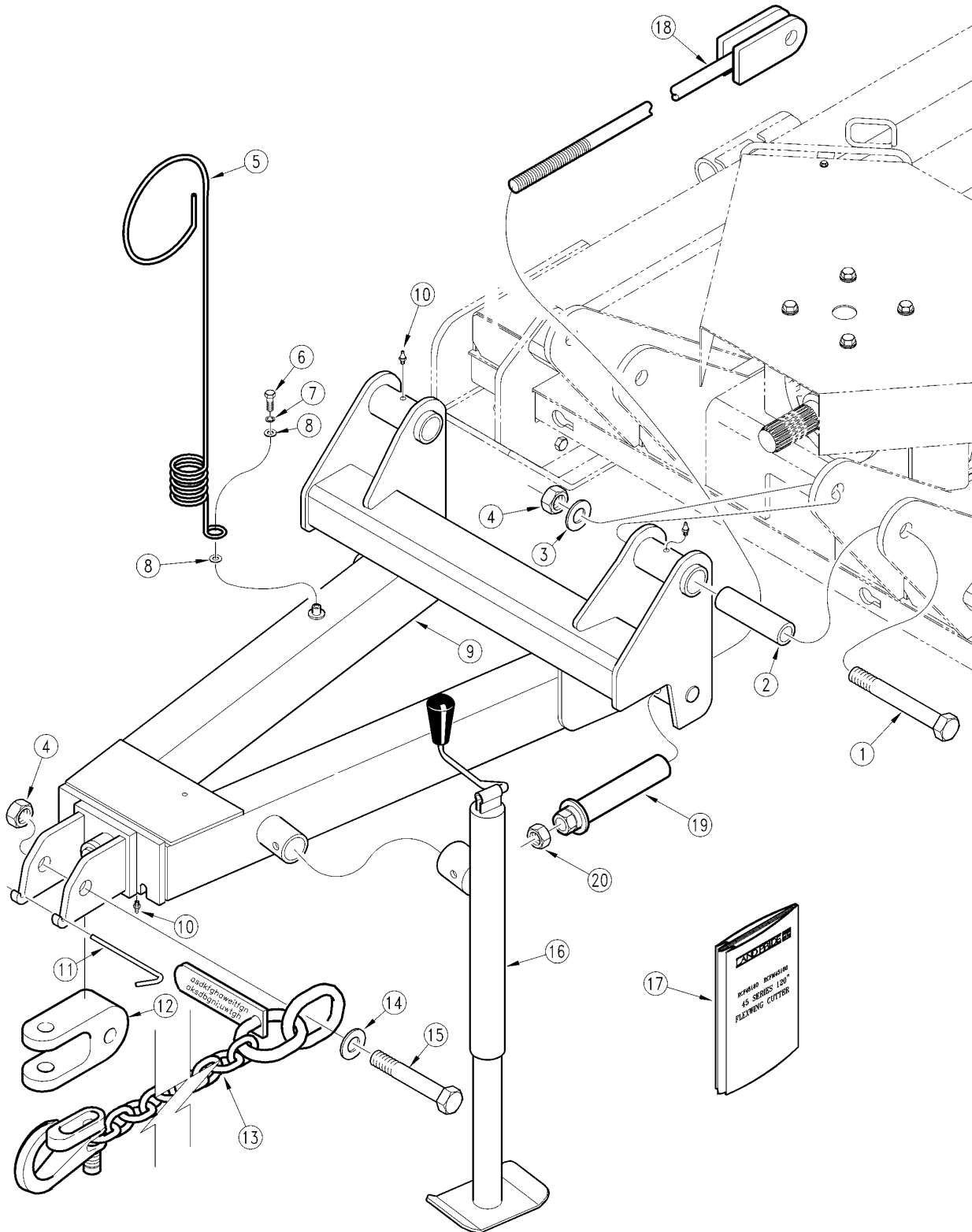
14088

**Deck Lift****Applies to RCFM45180**

Ref	Part No.	Part Description	Comments	Revision
	dwg14088	Drawing Image Number		
1.	312-447D	HINGE MAIN TUBE		
2.	312-446D	HINGE LOCK COLLAR		
3.	805-164C	PIN ROLL 1/2 X 2 1/2 LG PLT		
4.	312-225V	HINGE COVER TUBE ASSY		
5.	816-124C	HINGE COVER TUBE DONUT		
6.	312-432D	HINGE COVER TUBE		
7.	312-278S	AXLE LINK ASSY		
8.	312-224H	AXLE LINK CLEVIS WELDMENT		
9.	312-223H	AXLE LINK BODY		
10.	800-080C	ZERK GREASE 1/4-28 THD FORMING		Rev. 2 not compat. w/Rev. 1
10.	800-001C	GREASE ZERK STRAIGHT 1/4-28		Rev. 1
11.	805-137C	PIN CLEVIS 1 X 2 PLT		
12.	805-104C	PIN COTTER 3/16 X 1 1/2 PLT		
13.	810-150C	CYL 2.5X12X1.25 ROD (TIE ROD)		
14.	811-361C	HH1/4R1 186 3/4MORB 9/16FJIC		
15.	811-056C	HH1/4R2 045 9/16FJIC		
16.	800-117C	VENT PLUG - 9/16-18 PLATED		
17.	811-062C	OREL 1/32 9/16MJIC 9/16MORB		
18.	811-180C	HH1/4R1 057 9/16FJIC		
19.	811-356C	TE 9/16MJIC BH 9/16MJIC 9/16MJ		
20.	805-125C	PIN ROLL 5/16 X 2 1/2 PLT		
21.	811-394C	CP 3/4FORB MALE QD	(S/N 134720+)	

**Hitch (S/N 74020-)**

Applies to RCFM45180



14304

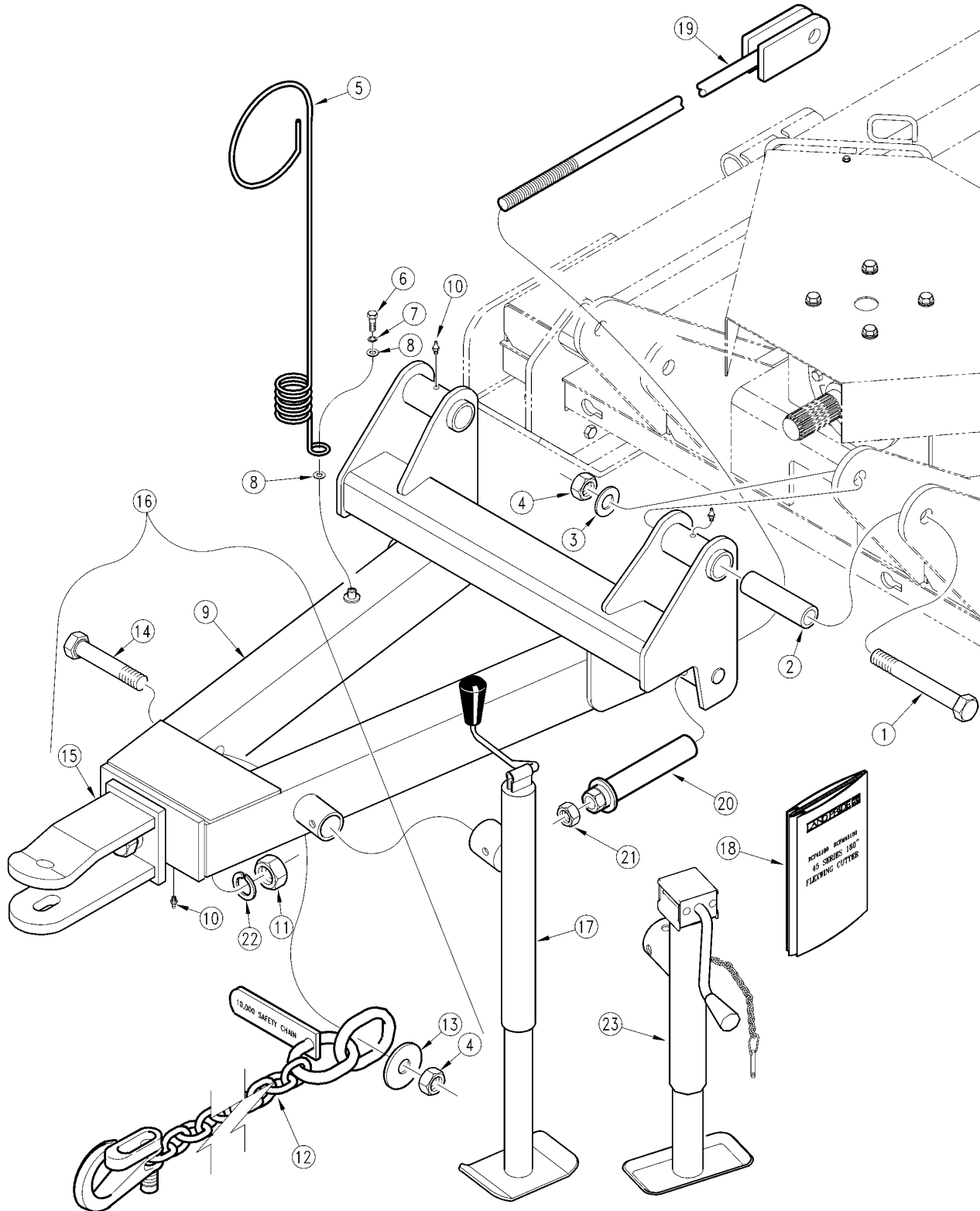


**Hitch (S/N 74020-)****Applies to RCFM45180**

<b>Ref</b>	<b>Part No.</b>	<b>Part Description</b>	<b>Comments</b>	<b>Revision</b>
	dwg14304	Drawing Image Number		
1.	802-076C	HHCS 1-8X8 GR5		
2.	312-457D	MAIN HITCH REAR MOUNT BUSHING		
3.	804-029C	WASHER FLAT 1 SAE PLT		
4.	803-038C	NUT HEX 1-8 NYLON INSERT PLT		
5.	807-023C	SPRING HOSE LOOP		
6.	802-014C	HHCS 3/8-16X3/4 GR5		
7.	804-013C	WASHER LOCK SPRING 3/8 PLT		
8.	804-012C	WASHER FLAT 3/8 SAE PLT		
9.	312-195H	MAIN HITCH ASSY WELDMENT		
10.	800-080C	ZERK GREASE 1/4-28 THD FORMING		Rev. 2 not compat. w/Rev. 1
10.	800-001C	GREASE ZERK STRAIGHT 1/4-28		Rev. 1
11.	312-210D	CLEVIS SUPPORT PIN		
12.	312-155H	HITCH CLEVIS		Rev. 2
12.	812-129C	RPBY 312-155H		Rev 1; Use up stock
13.	890-182C	SAFETY CHAIN 10000 LB		
14.	804-028C	WASHER FLAT 1 USS PLT		
15.	802-074C	HHCS 1-8X6 1/2 GR5		Rev. 2
15.	802-205C	HHCS 1-8X5 1/2 GR5	(RPBY 802-074C)	Rev 1; Use up stock
16.	890-196C	SCREWJACK 5000 LB		
17.	312-302M	MANUAL 45 ROTARY CUTTER 180"		
18.	312-222H	LEVELING ROD WELDMENT		
19.	312-221H	LEVELING TUBE WELDMENT		
20.	803-049C	NUT HEX 7/8-9 PLT		

**Hitch (S/N 74021 to 116033)**

Applies to RCFM45180



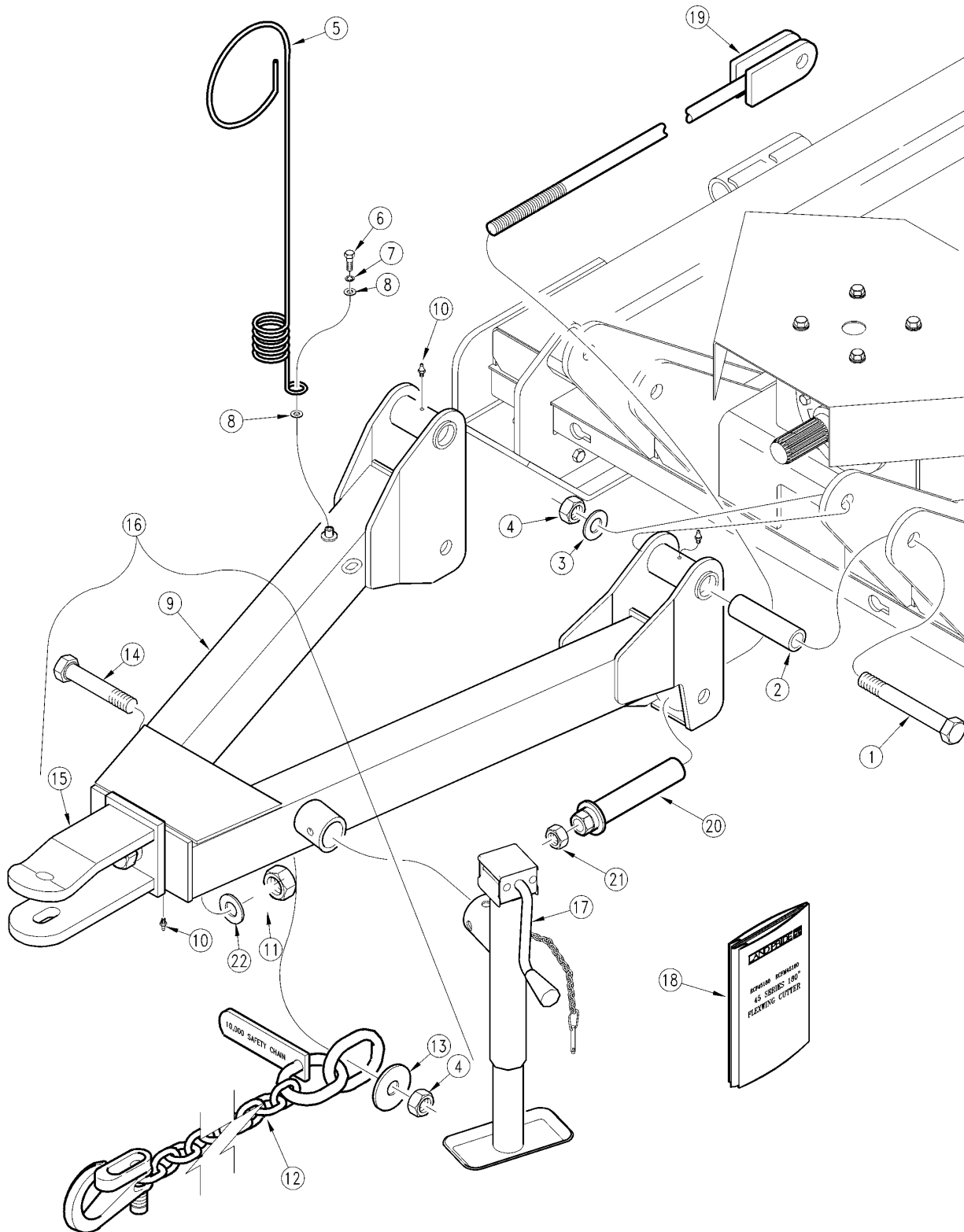
13163

**Hitch (S/N 74021 to 116033)****Applies to RCFM45180**

<b>Ref</b>	<b>Part No.</b>	<b>Part Description</b>	<b>Comments</b>	<b>Revision</b>
	dwg13163	Drawing Image Number		
1.	802-076C	HHCS 1-8X8 GR5		
2.	312-457D	MAIN HITCH REAR MOUNT BUSHING		
3.	804-029C	WASHER FLAT 1 SAE PLT		
4.	803-038C	NUT HEX 1-8 NYLON INSERT PLT		
5.	807-023C	SPRING HOSE LOOP		
6.	802-014C	HHCS 3/8-16X3/4 GR5		
7.	804-013C	WASHER LOCK SPRING 3/8 PLT		
8.	804-012C	WASHER FLAT 3/8 SAE PLT		
9.	312-194E	MAIN HITCH SUB-WELDMENT		
10.	800-080C	ZERK GREASE 1/4-28 THD FORMING		
11.	803-081C	NUT HEX LOCK 1 1/4-7		
12.	890-182C	SAFETY CHAIN 10000 LB		
13.	804-028C	WASHER FLAT 1 USS PLT		
14.	802-235C	HHCS 1-8X5 GR5		
15.	312-332H	CLEVIS SWIVEL WELDMENT		
16.	312-281S	HITCH ASSY		
17.	890-196C	SCREWJACK 5000 LB	(S/N 83280 -)	
18.	312-302M	MANUAL 45 ROTARY CUTTER 180"		
19.	312-222H	LEVELING ROD WELDMENT		
20.	312-221H	LEVELING TUBE WELDMENT		
21.	803-049C	NUT HEX 7/8-9 PLT		
22.	804-039C	WASHER FLAT 1 1/4 SAE PLT		
23.	890-246C	SCREW JACK 5000# 15"-30"	(S/N 83281+)	

**Hitch (S/N 116034+)**

Applies to RCFM45180



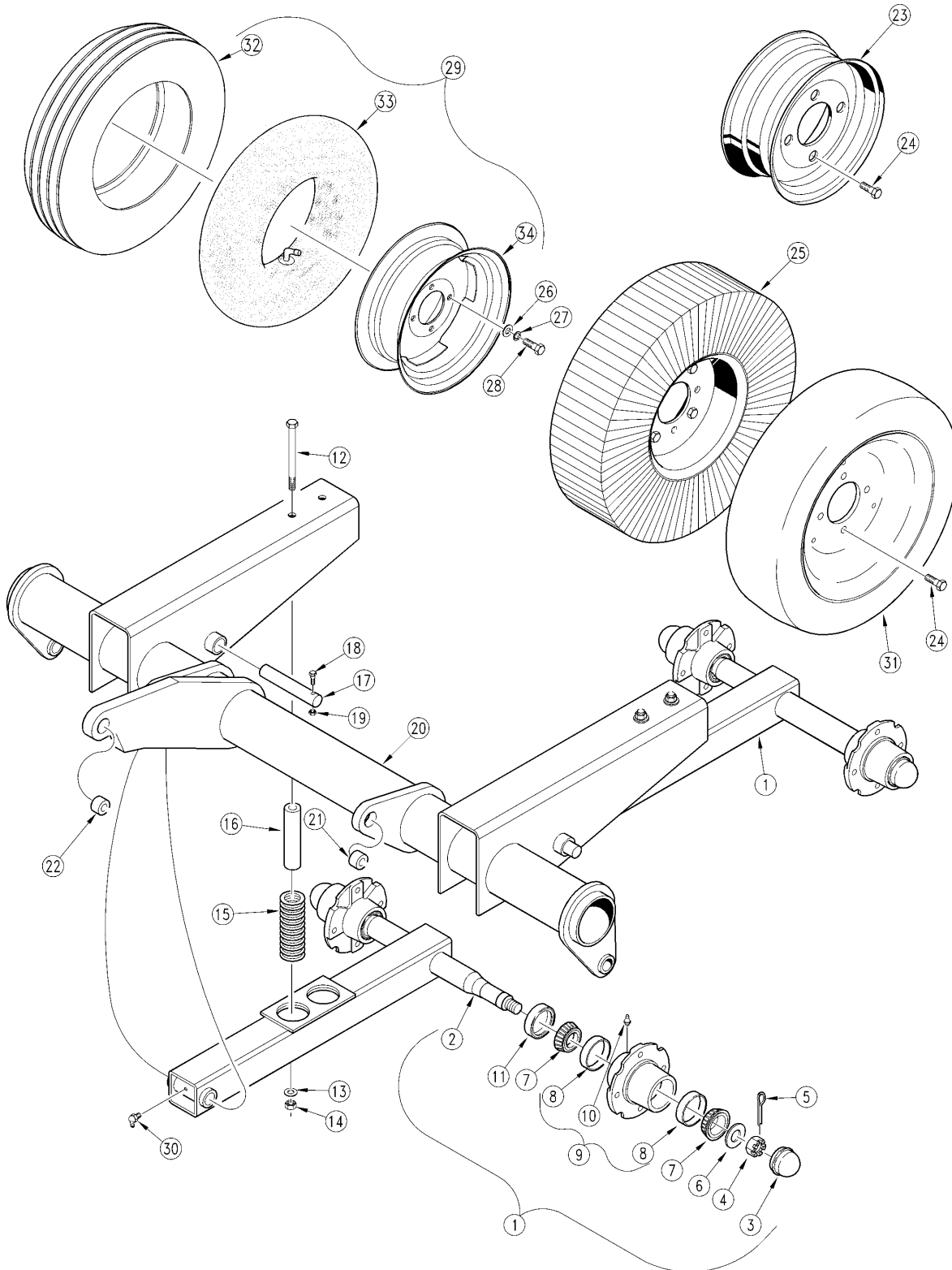
11033

**Hitch (S/N 116034+)****Applies to RCFM45180**

<b>Ref</b>	<b>Part No.</b>	<b>Part Description</b>	<b>Comments</b>	<b>Revision</b>
	dwg11033	Drawing Image Number		
1.	802-076C	HHCS 1-8X8 GR5		
2.	312-457D	MAIN HITCH REAR MOUNT BUSHING		
3.	804-029C	WASHER FLAT 1 SAE PLT		
4.	803-038C	NUT HEX 1-8 NYLON INSERT PLT		
5.	807-023C	SPRING HOSE LOOP		
6.	802-014C	HHCS 3/8-16X3/4 GR5		
7.	804-013C	WASHER LOCK SPRING 3/8 PLT		
8.	804-012C	WASHER FLAT 3/8 SAE PLT		
9.	312-194E	MAIN HITCH SUB-WELDMENT		
10.	800-080C	ZERK GREASE 1/4-28 THD FORMING		
11.	803-081C	NUT HEX LOCK 1 1/4-7		
12.	890-182C	SAFETY CHAIN 10000 LB		
13.	804-028C	WASHER FLAT 1 USS PLT		
14.	802-235C	HHCS 1-8X5 GR5		
15.	312-332H	CLEVIS SWIVEL WELDMENT		
16.	312-281S	HITCH ASSY		
17.	890-246C	SCREW JACK 5000# 15"-30"		
18.	312-302M	MANUAL 45 ROTARY CUTTER 180"		
19.	312-222H	LEVELING ROD WELDMENT		
20.	312-221H	LEVELING TUBE WELDMENT		
21.	803-049C	NUT HEX 7/8-9 PLT		
22.	804-039C	WASHER FLAT 1 1/4 SAE PLT		

# Axle Center

Applies to RCFM45180



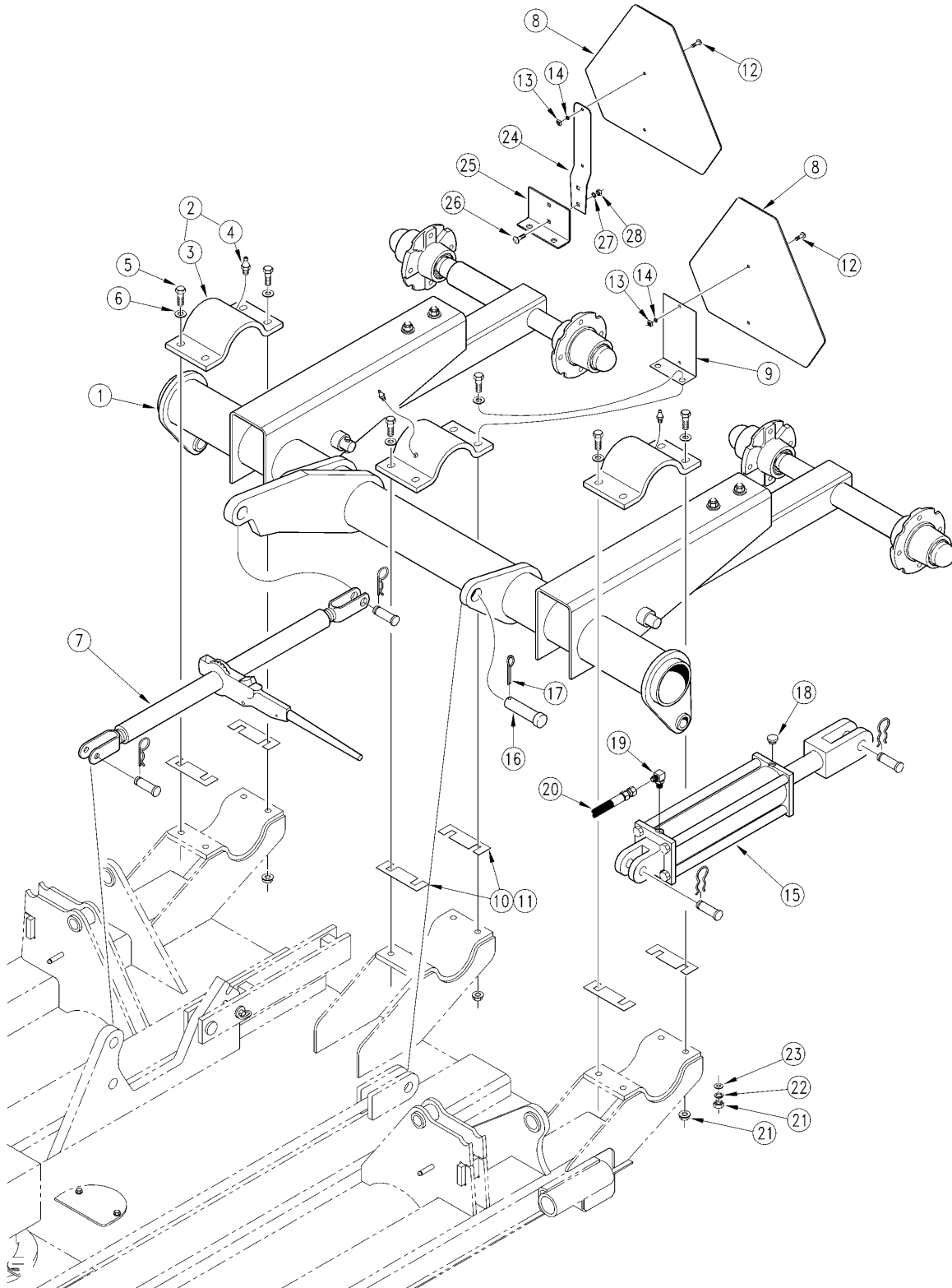
13189

**Axle Center****Applies to RCFM45180**

Ref	Part No.	Part Description	Comments	Revision
	dwg13189	Drawing Image Number		
1.	312-252V	CENT AXLE HUB & SPDLE ASSY RH		
1.	312-346V	CENT AXLE HUB & SPDLE ASSY LH	(S/N 79764+)	
2.	312-212H	DUAL AXLE TUBE WELDMENT RH		312-212H & 312-345H changed from a 3" tube to a 3 1/2" tube (S/N 113871+)
2.	312-345H	DUAL AXLE TUBE WELDMENT LH	(S/N 79764+)	312-212H & 312-345H changed from a 3" tube to a 3 1/2" tube (S/N 113871+)
3.	200-001D	HUB GREASE CAP		
4.	803-029C	NUT HEX SLOTTED 7/8-14 PLT		
5.	805-016C	PIN COTTER 3/16 X 1 1/4 PLT		
6.	804-055C	WASHER SPINDLE - 7/8		
7.	822-091C	BEARING CONE 15123		
8.	822-092C	BEARING CUP 15245		
9.	815-093C	HUB 4 BOLT WHL W/CUPS & ZERK		Rev. 2
9.	312-106D	4 BOLT HUB		Rev 1; Use up stock
10.	800-001C	GREASE ZERK STRAIGHT 1/4-28		
11.	816-098C	SEAL 1 3/8 ID X 2.441 OD X.313		
12.	802-269C	HHCS 1/2-13X9 GR5		Rev. 2
12.	802-154C	HHCS 1/2-13X8 1/2 GR5	(RPBY802-269C)	Rev 1; Use up stock
13.	804-016C	WASHER FLAT 1/2 SAE PLT		
14.	803-147C	NUT HEX NYLOCK 1/2-13		
15.	807-006C	SPRING COULTER 2 1/4X7 1/4		
16.	312-454D	AXLE SPRING GUIDE TUBE		
17.	312-212D	AXLE MOUNT PIN		
18.	802-379C	HHCS 7/16-14X2 GR8	(S/N 81432+)	Rev. 2 not compat. w/Rev. 1
18.	802-115C	HHCS 5/16-18X2 GR5	(S/N 81431-)	Rev. 1
19.	803-200C	NUT HEX LOCK 7/16-14 PLT	(S/N 81432+)	Rev. 2 not compat. w/Rev. 1
19.	803-011C	NUT LOCK 5/16-18 PLT	(S/N 81431-)	Rev. 1
20.	312-210H	CENTER AXLE WELDMENT		
21.	890-143C	BUSHING HARDENED 1 1/4-1-3/4 L		
22.	890-005C	BUSHING CYL 1 1/4 X 1 X 1		
23.	814-066C	WHEEL 15 X 5 X 4 BOLT		
24.	802-104C	BOLT WHEEL 1/2-20X1 90-DEG		
25.	814-059C	TIRE & WHEEL LAMINATED 6.0 X 9		
26.	804-016C	WASHER FLAT 1/2 SAE PLT		
27.	804-015C	WASHER LOCK SPRING 1/2 PLT		
28.	802-240C	HHCS 1/2-20X1 GR5		
29.	814-086C	TIRE 25.5 X 8.0-14 - MOUNTED		
30.	800-136C	ZERK 1/4-28 X 45 DEG SELF-TAP		Rev. 2 not compat. w/Rev. 1
30.	800-058C	ZERK GREASE 1/4-28 X 45 DEGREE		Rev. 1
31.	814-119C	21" SOLID CORE TIRE ASSY 6X9		
32.	814-087C	TIRE 25.5 X 8.0-14 (814-086C)		
33.	814-088C	TUBE FOR 25.5X8.0-14(814-086C)		
34.	814-089C	RIM 2PC.4BLT 14X6BLACK814-086C		

***Axle to Center Deck***

**Applies to RCFM45180**



14090



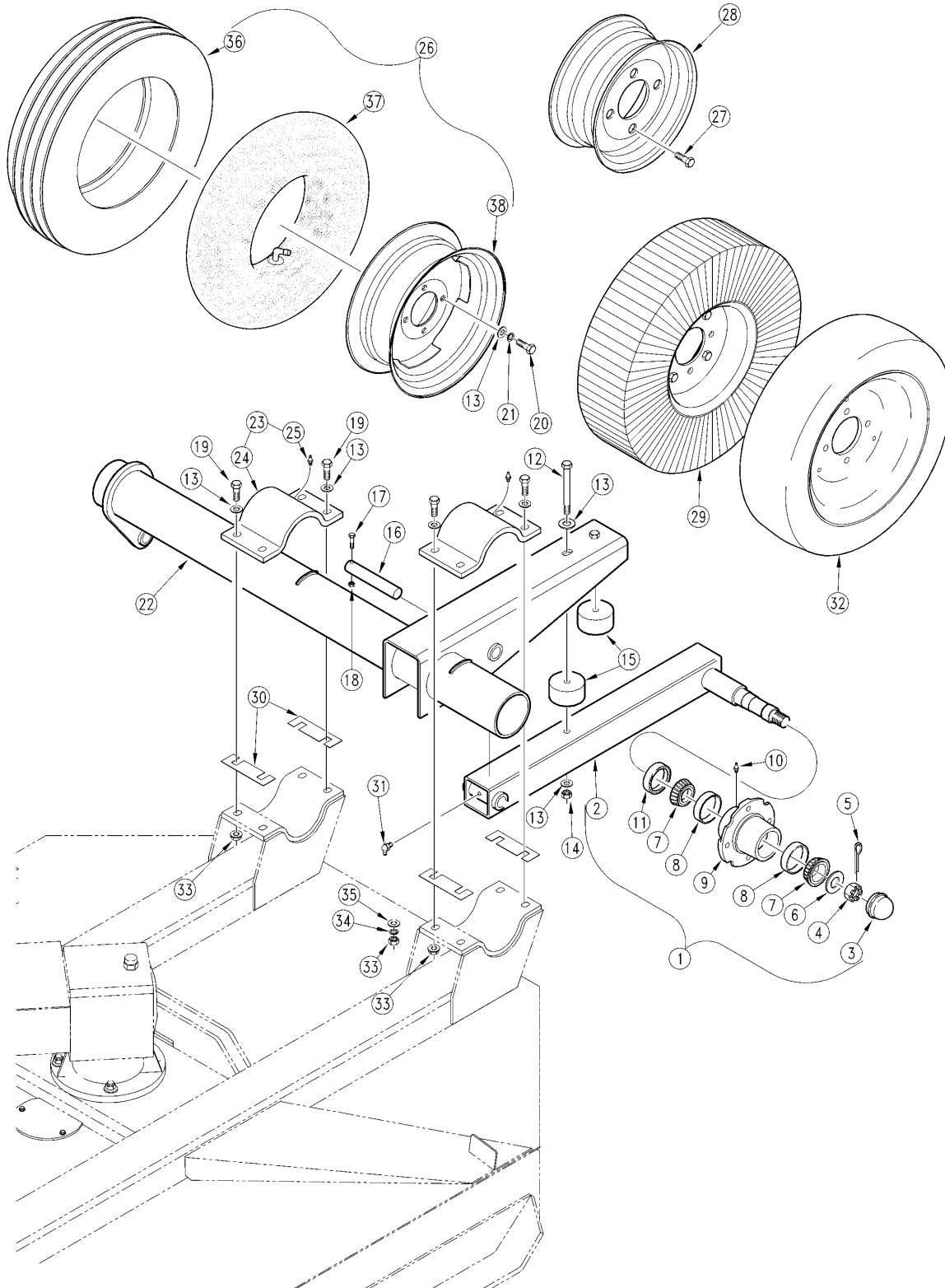
## Axle to Center Deck

### Applies to RCFM45180

Ref	Part No.	Part Description	Comments	Revision
	dwg14090	Drawing Image Number		
1.	312-210H	CENTER AXLE WELDMENT		
2.	312-277S	TOP HALF BRG BAND CAP ASSY		
3.	312-445D	TOP HALF BRG BAND CAP		
4.	800-080C	ZERK GREASE 1/4-28 THD FORMING		Rev. 2 not compat. w/Rev. 1
4.	800-001C	GREASE ZERK STRAIGHT 1/4-28		Rev. 1
5.	802-128C	HHCS 1/2-13X2 GR5		
6.	804-016C	WASHER FLAT 1/2 SAE PLT		
7.	890-177C	RATCHET JACK - HEAVY DUT		
8.	818-055C	DECAL SLOW MOVING-GALV. BACKED		
9.	312-587D	SMV BRACKET (S/N 124691+)		
10.	312-139D	ROCKSHAFT BEARING SHIM 20 GA		
11.	312-547D	ROCKSHAFT BEARING SHIM 12GA		
12.	801-018C	SCREW RD HD 1/4-20 X 5/8		
13.	803-005C	NUT SQ 1/4-20 PLT		
14.	804-006C	WASHER LOCK SPRING 1/4 PLT		
15.	810-162C	CYL 3.5X8X1.25 ROD (TIE ROD)		
16.	805-145C	PIN CLEVIS 1 X 1 61/64 USABLE		
17.	805-104C	PIN COTTER 3/16 X 1 1/2 PLT		
18.	800-094C	FILL PLUG VENTED 3/4-16 PLT		
19.	811-063C	EL 3/4MJIC 3/4MORB		
20.	811-353C	HH3/8R1 176 3/4MORB 3/4FJIC		
21.	803-169C	NUT HEX FLG. LOCK 1/2-13 PLT	(Rplcs 803-020C, 804-015C & 804-016C)	Rev. 2
21.	803-020C	NUT HEX 1/2-13 PLT	(RPBY 803-169C)	Rev 1; Use up stock
22.	804-015C	WASHER LOCK SPRING 1/2 PLT	(RPBY 803-169C)	Rev 1; Use up stock
23.	804-016C	WASHER FLAT 1/2 SAE PLT	(RPBY 803-169C)	Rev 1; Use up stock
24.	890-153C	SMV MOUNTING BLADE	(RPBY 312-587D) (S/N 124690-)	
25.	312-456D	SMV BASE WING MOUNT PLATE	(RPBY 312-587D) (S/N 124690-)	
26.	802-092C	RHSNB 5/16-18X3/4 GR5	(S/N 124690-)	
27.	804-009C	WASHER LOCK SPRING 5/16 PLT	(S/N 124690-)	
28.	803-008C	NUT HEX 5/16-18 PLT	(S/N 124690-)	

# Axle Wing

Applies to RCFM45180



13171

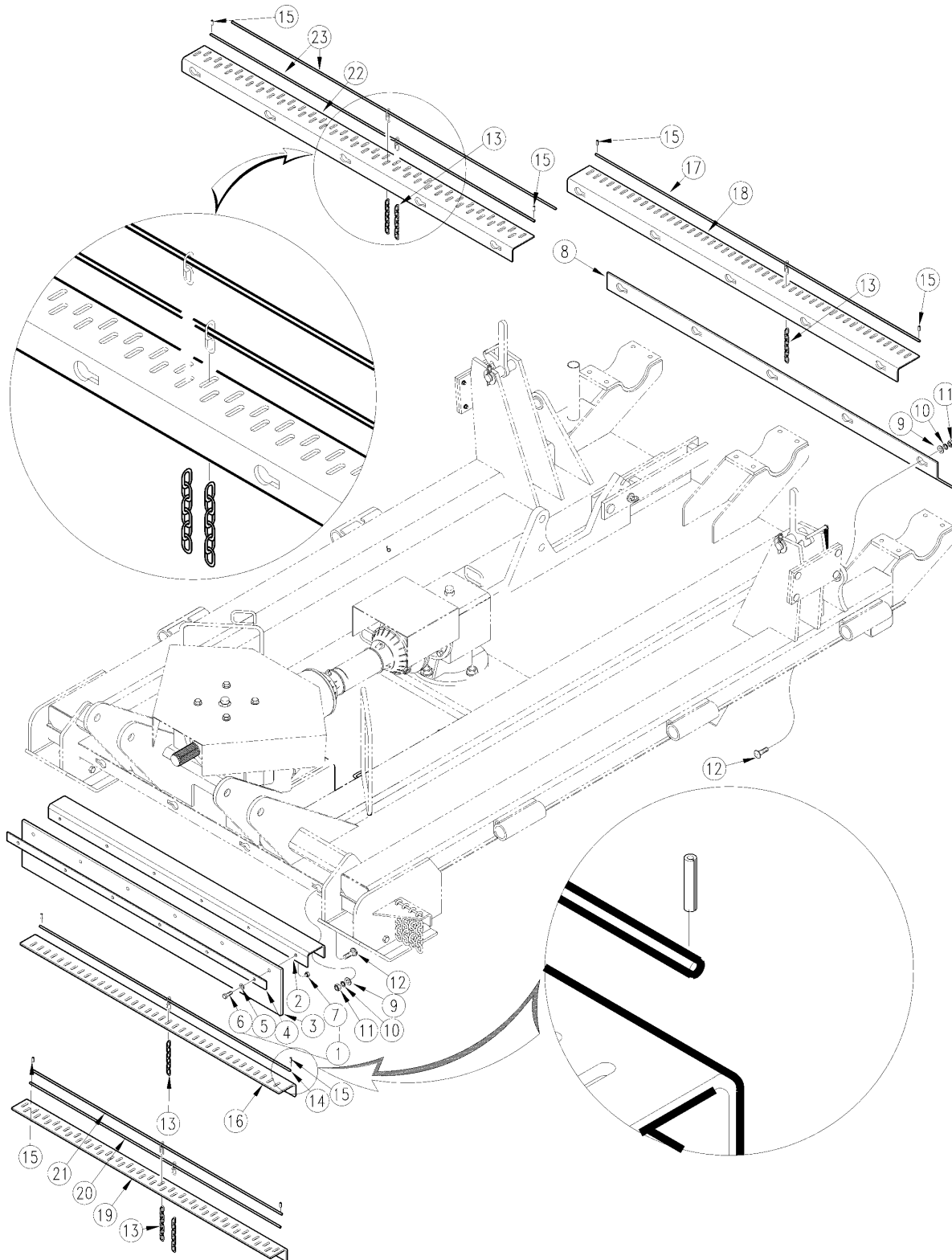
## Axle Wing

### Applies to RCFM45180

Ref	Part No.	Part Description	Comments	Revision
	dwg13171	Drawing Image Number		
1.	312-253V	WING AXLE HUB & SPINDLE ASSY		
2.	312-216H	WING AXLE TUBE WELDMENT		
3.	200-001D	HUB GREASE CAP		
4.	803-029C	NUT HEX SLOTTED 7/8-14 PLT		
5.	805-016C	PIN COTTER 3/16 X 1 1/4 PLT		
6.	804-055C	WASHER SPINDLE - 7/8		
7.	822-091C	BEARING CONE 15123		
8.	822-092C	BEARING CUP 15245		
9.	312-106D	4 BOLT HUB		
10.	800-001C	GREASE ZERK STRAIGHT 1/4-28		
11.	816-098C	SEAL 1 3/8 ID X 2.441 OD X.313		
12.	802-047C	HHCS 1/2-13X6 GR5		
13.	804-016C	WASHER FLAT 1/2 SAE PLT		
14.	803-147C	NUT HEX NYLOCK 1/2-13		
15.	312-313D	RUBBER BUMPER		
16.	312-212D	AXLE MOUNT PIN		
17.	802-379C	HHCS 7/16-14X2 GR8	(S/N 81432+)	Rev. 2 not compat. w/Rev. 1
17.	802-115C	HHCS 5/16-18X2 GR5	(S/N 81431-)	Rev. 1
18.	803-200C	NUT HEX LOCK 7/16-14 PLT	(S/N 81432+)	Rev. 2 not compat. w/Rev. 1
18.	803-011C	NUT LOCK 5/16-18 PLT	(S/N 81431-)	Rev. 1
19.	802-128C	HHCS 1/2-13X2 GR5		
20.	802-240C	HHCS 1/2-20X1 GR5		
21.	804-015C	WASHER LOCK SPRING 1/2 PLT		
22.	312-213H	WING AXLE WELDMENT LH		
22.	312-214H	WING AXLE WELDMENT RH		
23.	312-277S	TOP HALF BRG BAND CAP ASSY		
24.	312-445D	TOP HALF BRG BAND CAP		
25.	800-080C	ZERK GREASE 1/4-28 THD FORMING		Rev. 2 not compat. w/Rev. 1
25.	800-001C	GREASE ZERK STRAIGHT 1/4-28		Rev. 1
26.	814-086C	TIRE 25.5 X 8.0-14 - MOUNTED		
27.	802-104C	BOLT WHEEL 1/2-20X1 90-DEG		
28.	814-066C	WHEEL 15 X 5 X 4 BOLT		
29.	814-059C	TIRE & WHEEL LAMINATED 6.0 X 9		
30.	312-139D	ROCKSHAFT BEARING SHIM 20 GA		
30.	312-547D	ROCKSHAFT BEARING SHIM 12GA		
31.	800-136C	ZERK 1/4-28 X 45 DEG SELF-TAP		
32.	814-119C	21" SOLID CORE TIRE ASSY 6X9		
33.	803-169C	NUT HEX FLG. LOCK 1/2-13 PLT	(Rplcs 803-020C, 804-015C & 804-016C)	Rev. 2
33.	803-020C	NUT HEX 1/2-13 PLT	(RPBY 803-169C)	Rev 1; Use up stock
34.	804-015C	WASHER LOCK SPRING 1/2 PLT	(RPBY 803-169C)	
35.	804-016C	WASHER FLAT 1/2 SAE PLT	(RPBY 803-169C)	
36.	814-087C	TIRE 25.5 X 8.0-14 (814-086C)		
37.	814-088C	TUBE FOR 25.5X8.0-14(814-086C)		
38.	814-089C	RIM 2PC.4BLT 14X6BLACK814-086C		

### Guards Center Deck (S/N 160278-)

Applies to RCFM45180



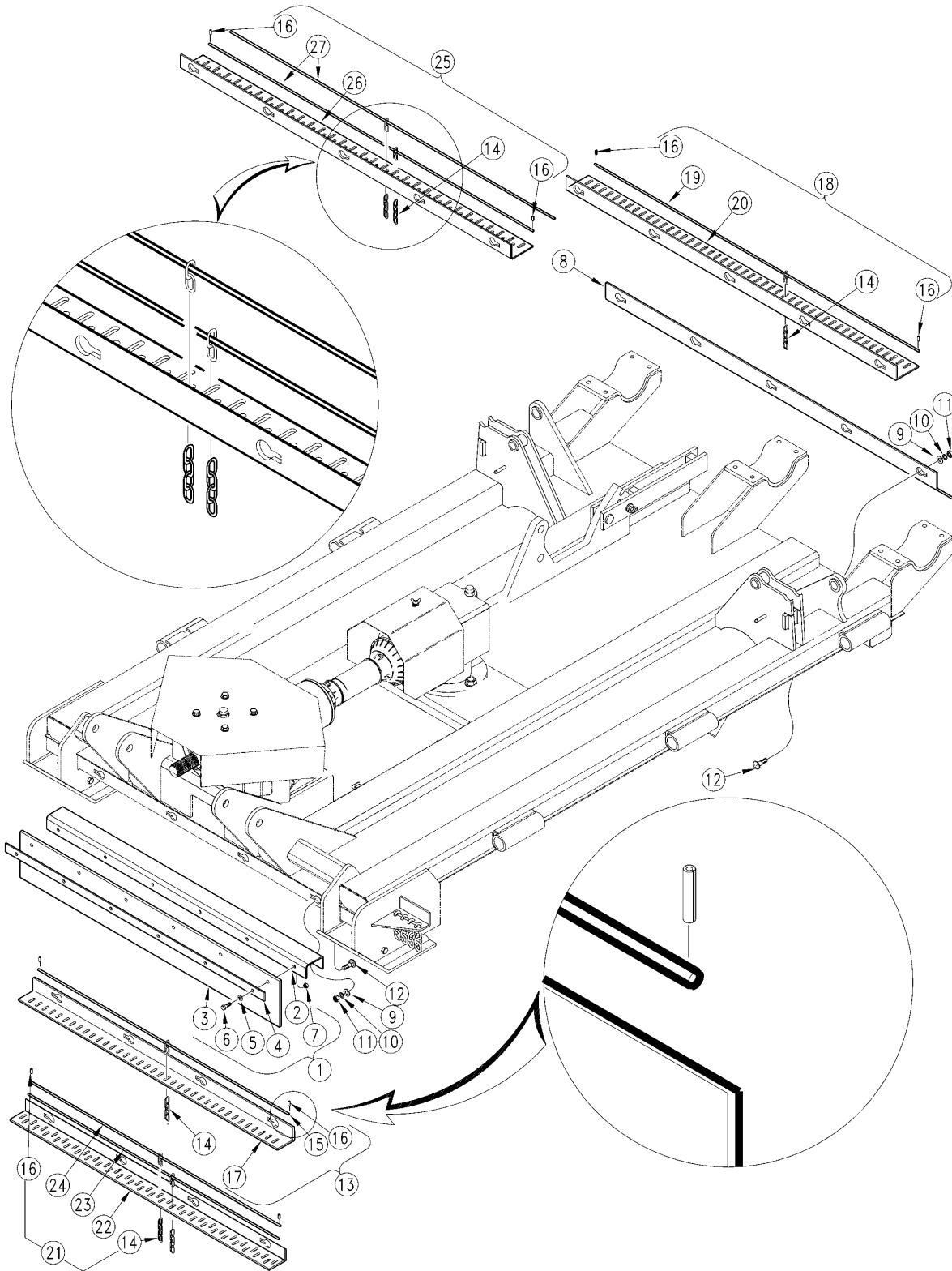
11589

**Guards Center Deck (S/N 160278-)****Applies to RCFM45180**

Ref	Part No.	Part Description	Comments	Revision
	dwg11589	Drawing Image Number		
1.	312-258K	RUBBER GUARD ASSY - CTR DECK		
2.	312-444D	CRT DECK FRONT RBR GUARD CHANL		
3.	816-121C	CDECK RUBBER GUARD		
4.	312-071D	BACKUP STRIP-CTR RBR GUARD		
5.	804-012C	WASHER FLAT 3/8 SAE PLT		
6.	802-079C	HHCS 3/8-16X1 1/4 GR5		
7.	803-078C	NUT LOCK 3/8-16 NYLON INSERT		
8.	312-460D	SKIRT - CENTER DECK, REAR		
9.	804-016C	WASHER FLAT 1/2 SAE PLT		
10.	804-015C	WASHER LOCK SPRING 1/2 PLT		
11.	803-020C	NUT HEX 1/2-13 PLT		
12.	802-214C	RHSNB 1/2-13X1 1/4 GR5		
13.	890-175C	CHAIN 5/16 PROOF X 6 LINKS PLT		
14.	312-475D	CHAIN HANGER ROD CENTER FWD		
15.	805-136C	PIN ROLL 1/8 X 1 1/4 LG. PLT		Rev. 2
15.	805-063C	PIN COTTER 3/32 X 1		Rev 1; Use up stock
16.	312-466D	GUARD - CHAIN CTR DECK FRONT		
17.	312-481D	CHAIN HANGER ROD CENTER AFT		
18.	312-467D	GUARD - CHAIN CTR DECK REAR		
19.	312-512D	GUARD; DUBLCHAIN CTR DECK FRNT		
20.	312-522D	CHAIN HANGER ROD - 41 5/8 LONG		
21.	312-475D	CHAIN HANGER ROD CENTER FWD		
22.	312-513D	GUARD; DUBLCHAIN CTR DECK REAR		
23.	312-523D	CHAIN HANGER ROD - 56 3/8 LONG		

### Guards Center Deck (S/N 160279+)

Applies to RCFM45180



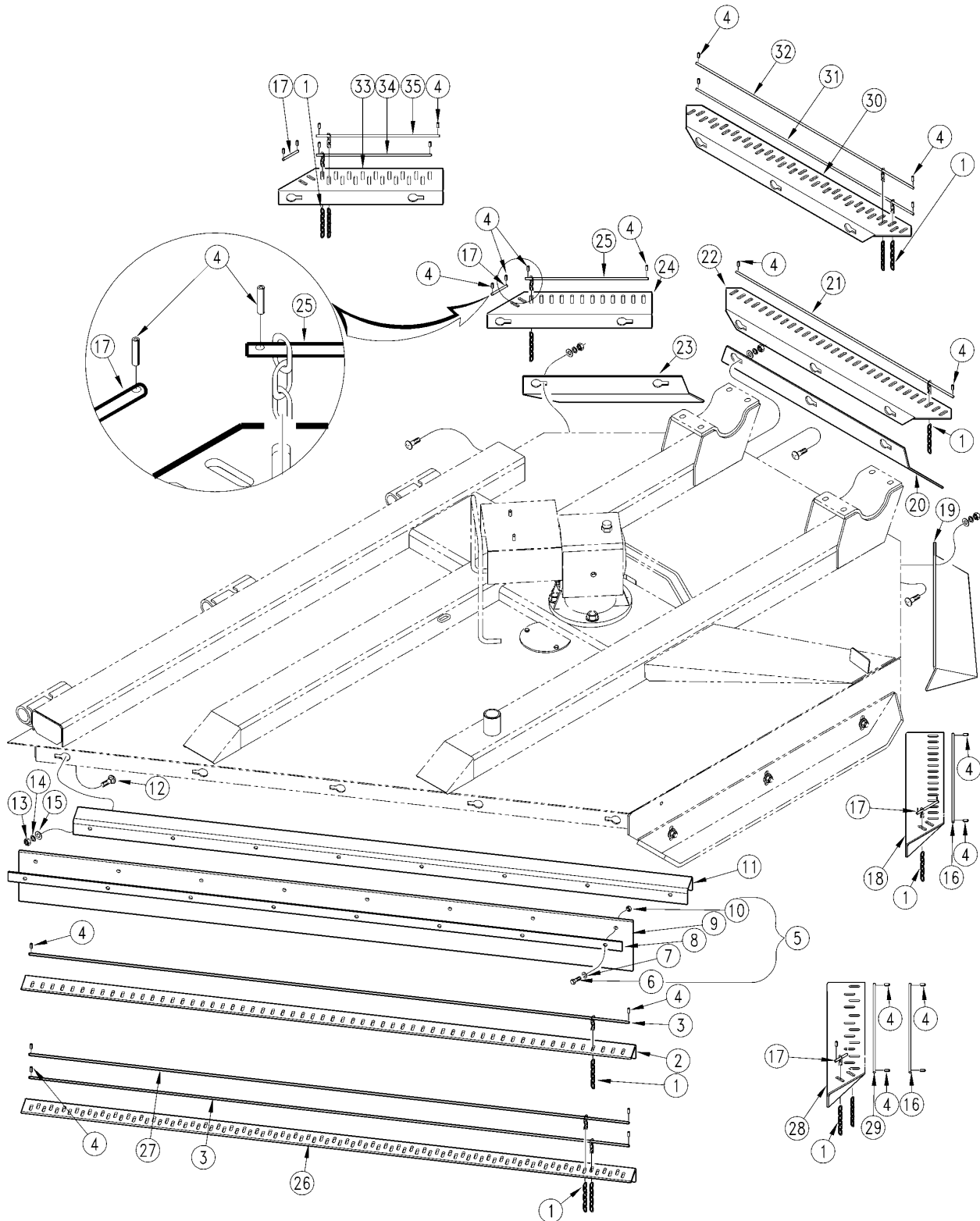
14092

**Guards Center Deck (S/N 160279+)****Applies to RCFM45180**

<b>Ref</b>	<b>Part No.</b>	<b>Part Description</b>	<b>Comments</b>	<b>Revision</b>
	dwg14092	Drawing Image Number		
1.	312-258K	RUBBER GUARD ASSY - CTR DECK		
2.	312-444D	CRT DECK FRONT RBR GUARD CHANL		
3.	816-121C	CDECK RUBBER GUARD		
4.	312-071D	BACKUP STRIP-CTR RBR GUARD		
5.	804-012C	WASHER FLAT 3/8 SAE PLT		
6.	802-079C	HHCS 3/8-16X1 1/4 GR5		
7.	803-078C	NUT LOCK 3/8-16 NYLON INSERT		
8.	312-460D	SKIRT - CENTER DECK, REAR		
9.	804-016C	WASHER FLAT 1/2 SAE PLT		
10.	804-015C	WASHER LOCK SPRING 1/2 PLT		
11.	803-020C	NUT HEX 1/2-13 PLT		
12.	802-214C	RHSNB 1/2-13X1 1/4 GR5		
13.	312-261K	GUARD ASSY - CTR DECK FRONT		
14.	890-400C	CHAIN WELD 5/16 PROOF X 4 LINK		
15.	312-475D	CHAIN HANGER ROD CENTER FWD		
16.	805-136C	PIN ROLL 1/8 X 1 1/4 LG. PLT		
17.	312-742D	GUARD - CHAIN CTR DECK FRONT		
18.	312-264K	GUARD ASSY - CTR DECK REAR		
19.	312-481D	CHAIN HANGER ROD CENTER AFT		
20.	312-743D	GUARD - CHAIN CTR DECK REAR		
21.	312-323K	DUBL CHAIN GRD ASSY; CTR FRONT		
22.	312-751D	GUARD-DBL CHAIN CTR DECK FRONT		
23.	312-522D	CHAIN HANGER ROD - 41 5/8 LONG		
24.	312-475D	CHAIN HANGER ROD CENTER FWD		
25.	312-326K	DBL CHAIN GUARD; CTR REAR		
26.	312-513D	GUARD; DUBLCHAIN CTR DECK REAR		
27.	312-523D	CHAIN HANGER ROD - 56 3/8 LONG		

**Guards Wing Deck (S/N 160278-)**

Applies to RCFM45180



11084

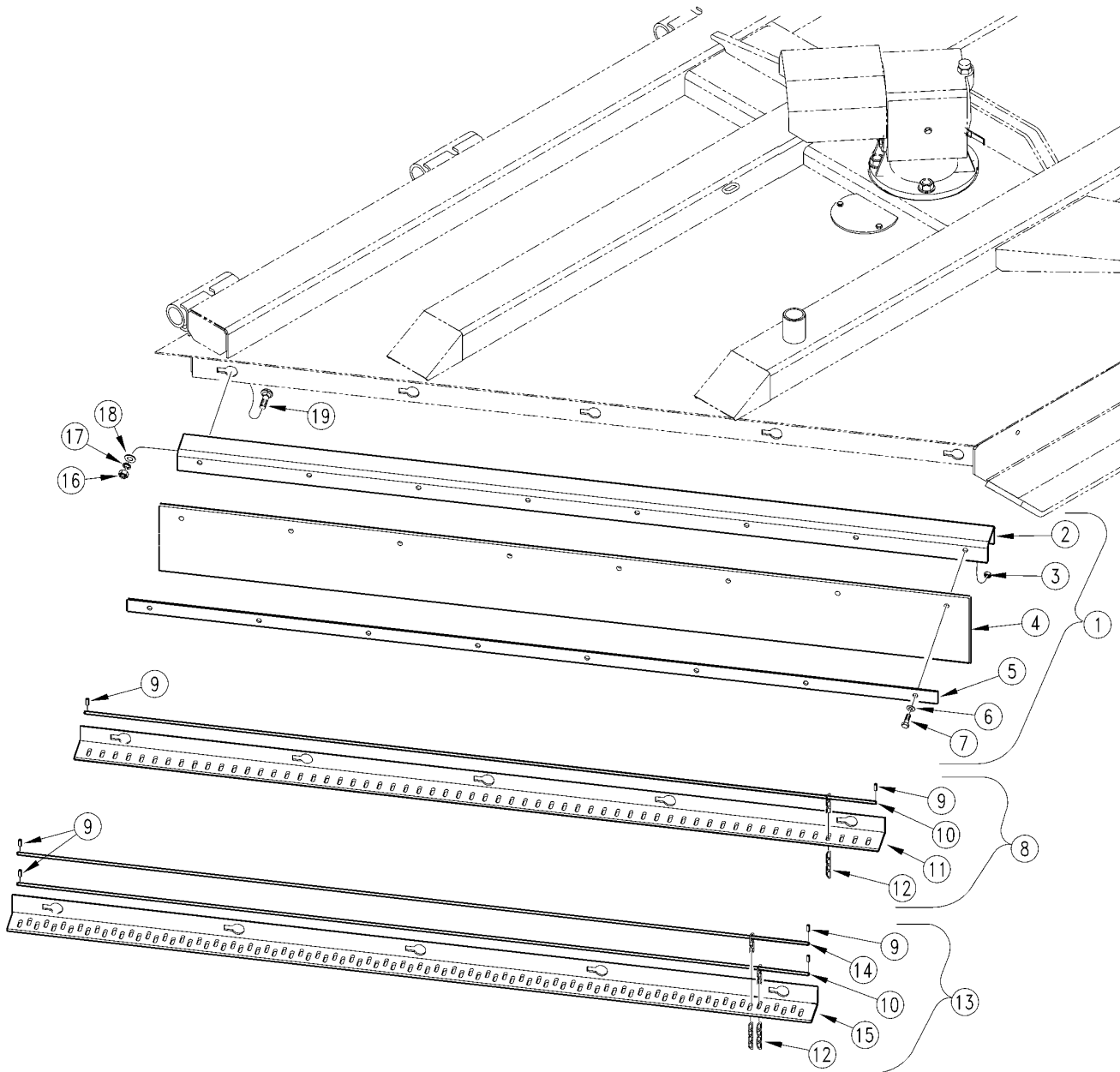


**Guards Wing Deck (S/N 160278-)****Applies to RCFM45180**

Ref	Part No.	Part Description	Comments	Revision
	dwg11084	Drawing Image Number		
1.	890-175C	CHAIN 5/16 PROOF X 6 LINKS PLT		
2.	312-468D	GUARD - CHAIN LH WING FRONT		
2.	312-469D	GUARD - CHAIN RH WING FRONT		
3.	312-477D	CHAIN HANGER ROD WING FWD		
4.	805-136C	PIN ROLL 1/8 X 1 1/4 LG. PLT		Rev. 2
4.	805-063C	PIN COTTER 3/32 X 1		Rev 1; Use up stock
5.	312-259K	RUBBER GUARD ASSY - LH WING		
5.	312-260K	RUBBER GUARD ASSY - RH WING		
6.	802-079C	HHCS 3/8-16X1 1/4 GR5		
7.	804-012C	WASHER FLAT 3/8 SAE PLT		
8.	312-070D	BACKUP STRIP-WING RBR GUARD		
9.	816-122C	RUBBER GUARD WING FRONT		
10.	803-078C	NUT LOCK 3/8-16 NYLON INSERT		
11.	312-442D	CHANNEL - LH WING RBR GUARD		
11.	312-443D	CHANNEL - RH WING RBR GUARD		
12.	802-214C	RHSNB 1/2-13X1 1/4 GR5		
13.	803-020C	NUT HEX 1/2-13 PLT		
14.	804-015C	WASHER LOCK SPRING 1/2 PLT		
15.	804-016C	WASHER FLAT 1/2 SAE PLT		
16.	312-480D	CHAIN HANGER RD WING AFT OUTBD		
17.	312-479D	WING CHAIN HANGER ROD - SHORT		
18.	312-318H	CHAIN GUARD WELDMNT - RH WING		
18.	312-317H	CHAIN GUARD WELDMNT - LH WING		
19.	312-462D	SKIRT - LH WING REAR OUTBD		
19.	312-464D	SKIRT - RH WING REAR OUTBD		
20.	312-461D	SKIRT - WING REAR CENTER		
21.	312-476D	CHAIN HANGER ROD WING AFT CTR		
22.	312-474D	GUARD - CHAIN WING REAR CTR		
23.	312-463D	SKIRT - LH WING REAR INBD		
23.	312-465D	SKIRT - RH WING REAR INBD		
24.	312-470D	GUARD-CHAIN LH WING REAR INBD		
24.	312-471D	GUARD-CHAIN RH WING REAR INBD		
25.	312-478D	CHAIN HANGER ROD WING AFT INBD		
26.	312-514D	GUARD; DUBLCHAIN LH WING FRONT		
26.	312-515D	GUARD; DUBLCHAIN RH WING FRONT		
27.	312-524D	CHAIN HANGER ROD-69 5/16 LONG		
28.	312-319H	DUBL CHAIN G WELDMT - LH WING		
28.	312-320H	DUBL CHAIN G WELDMT - RH WING		
29.	312-528D	CHAIN HANGER ROD-15 13/16 LONG		
30.	312-520D	GUARD; DUBLCHAIN WING REAR CTR		
31.	312-530D	CHAIN HANGER ROD - 32 3/8 LONG		
32.	312-529D	CHAIN HANGER ROD - 34 1/4 LONG		
33.	312-516D	GUARD; DUBLCHAIN LH WING R INB		
33.	312-517D	GUARD; DUBLCHAIN RH WING R INB		
34.	312-526D	CHAIN HANGER ROD - 12 1/8 LONG		
35.	312-478D	CHAIN HANGER ROD WING AFT INBD		

### Guards Wing Deck Front (S/N 160279+)

Applies to RCFM45180



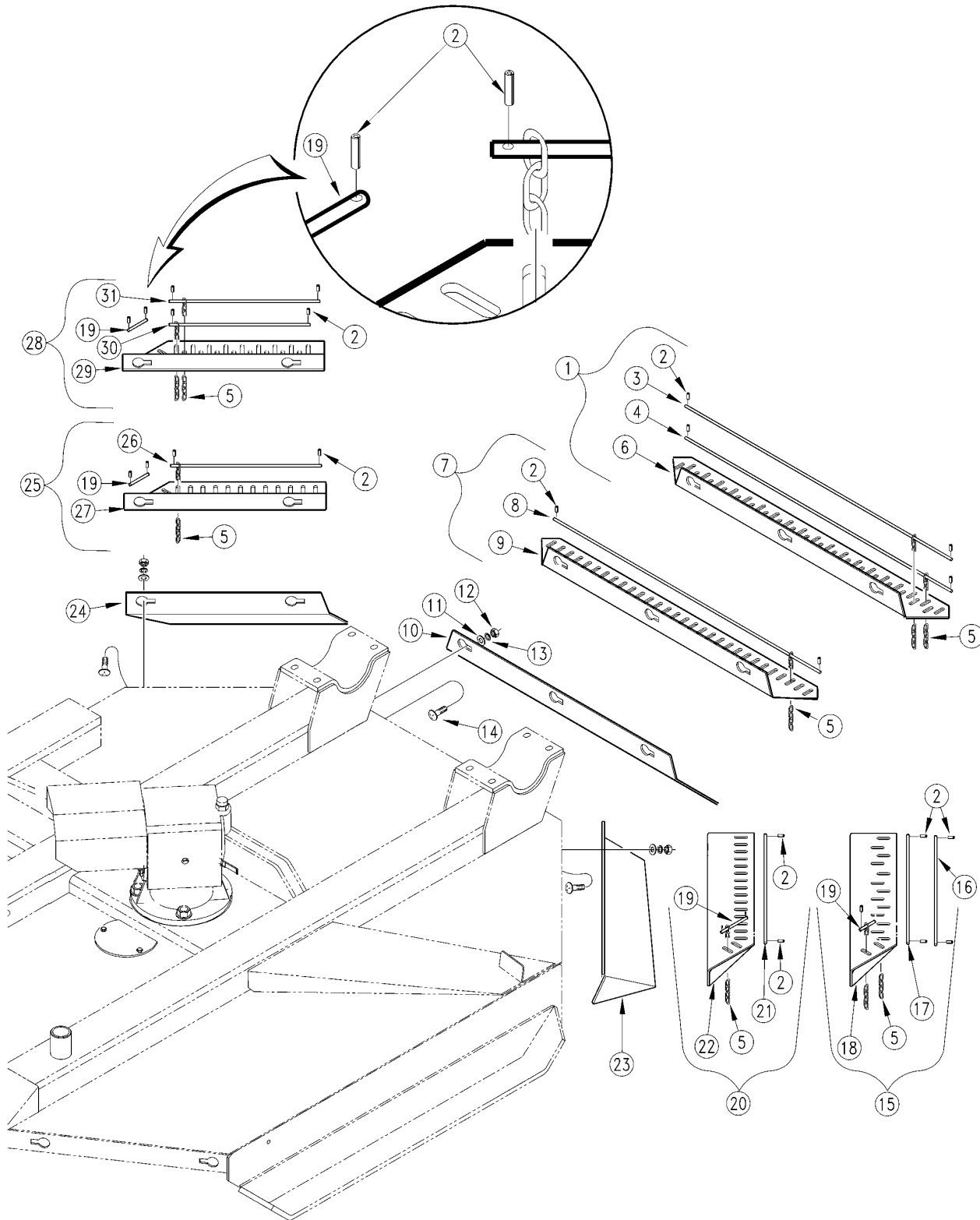
14093

**Guards Wing Deck Front (S/N 160279+)****Applies to RCFM45180**

<b>Ref</b>	<b>Part No.</b>	<b>Part Description</b>	<b>Comments</b>	<b>Revision</b>
	dwg14093	Drawing Image Number		
1.	312-259K	RUBBER GUARD ASSY - LH WING		
1.	312-260K	RUBBER GUARD ASSY - RH WING		
2.	312-442D	CHANNEL - LH WING RBR GUARD		
2.	312-443D	CHANNEL - RH WING RBR GUARD		
3.	803-078C	NUT LOCK 3/8-16 NYLON INSERT		
4.	816-122C	RUBBER GUARD WING FRONT		
5.	312-070D	BACKUP STRIP-WING RBR GUARD		
6.	804-012C	WASHER FLAT 3/8 SAE PLT		
7.	802-079C	HHCS 3/8-16X1 1/4 GR5		
8.	312-262K	GUARD ASSY - LH WING FRONT		
8.	312-263K	GUARD ASSY - RH WING FRONT		
9.	805-136C	PIN ROLL 1/8 X 1 1/4 LG. PLT		
10.	312-477D	CHAIN HANGER ROD WING FWD		
11.	312-744D	GUARD - CHAIN LH WING FRONT		
11.	312-745D	GUARD - CHAIN RH WING FRONT		
12.	890-175C	CHAIN 5/16 PROOF X 6 LINKS PLT		
13.	312-324K	DUBL CHAIN GRD ASSY; LH WING F		
13.	312-325K	DBL CHAIN GUARD; RH WING F		
14.	312-524D	CHAIN HANGER ROD-69 5/16 LONG		
15.	312-753D	GUARD-DBL CHAIN LH WING FRONT		
15.	312-754D	GUARD-DBL CHAIN RH WING FRONT		
16.	803-020C	NUT HEX 1/2-13 PLT		
17.	804-015C	WASHER LOCK SPRING 1/2 PLT		
18.	804-016C	WASHER FLAT 1/2 SAE PLT		
19.	802-214C	RHSNB 1/2-13X1 1/4 GR5		

# Guards Wing Deck Rear (S/N 160279+)

Applies to RCFM45180



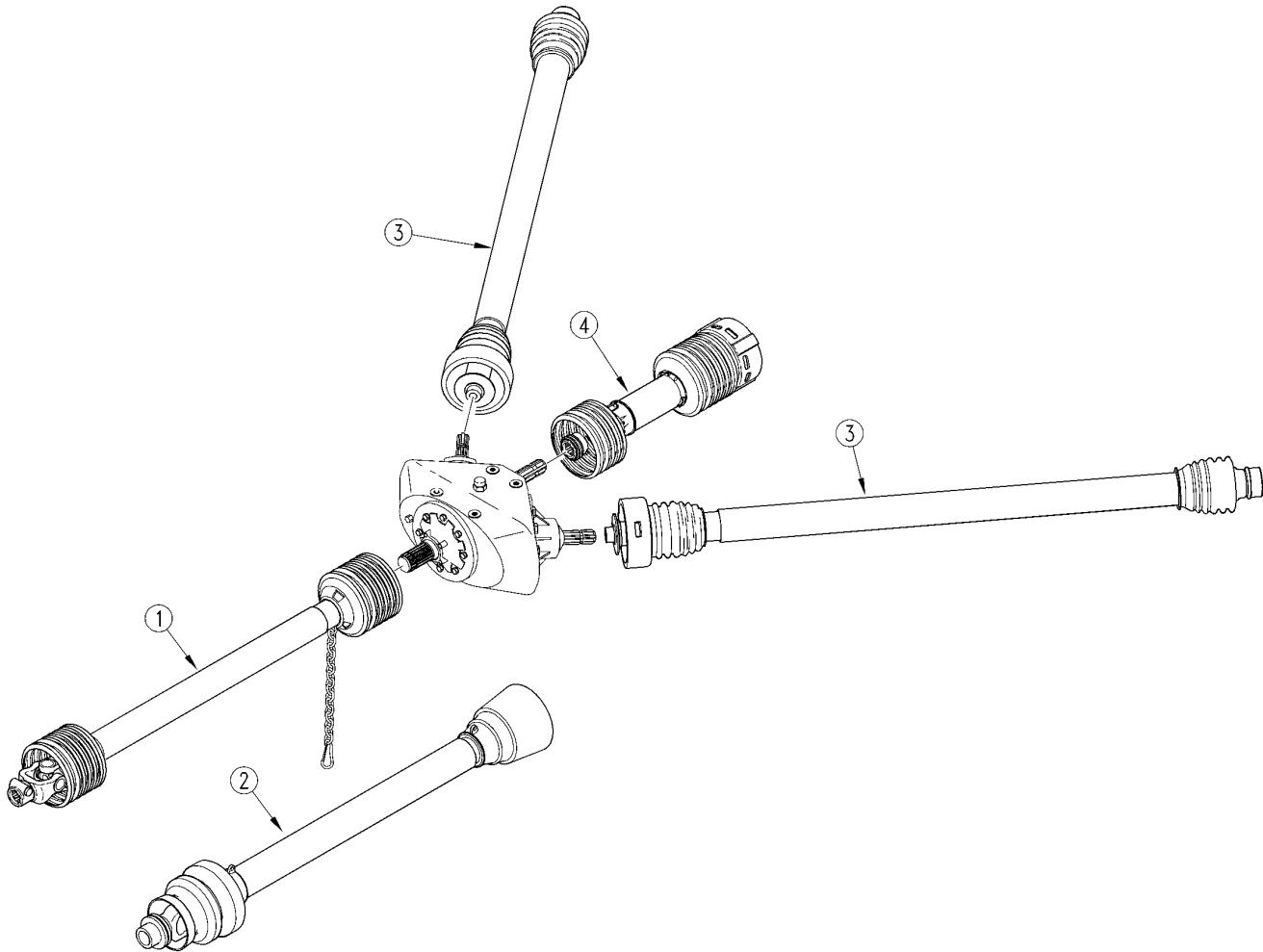
14094

**Guards Wing Deck Rear (S/N 160279+)****Applies to RCFM45180**

<b>Ref</b>	<b>Part No.</b>	<b>Part Description</b>	<b>Comments</b>	<b>Revision</b>
	dwg14094	Drawing Image Number		
1.	312-328K	DBL CHAIN GRD ASSY; WING R CTR		
2.	805-136C	PIN ROLL 1/8 X 1 1/4 LG. PLT		
3.	312-529D	CHAIN HANGER ROD - 34 1/4 LONG		
4.	312-530D	CHAIN HANGER ROD - 32 3/8 LONG		
5.	890-400C	CHAIN WELD 5/16 PROOF X 4 LINK		
6.	312-759D	GUARD-DBL CHAIN WING REAR CTR		
7.	312-266K	GUARD ASSY - WING REAR CTR		
8.	312-476D	CHAIN HANGER ROD WING AFT CTR		
9.	312-750D	GUARD - CHAIN WING REAR CTR		
10.	312-461D	SKIRT - WING REAR CENTER		
11.	804-016C	WASHER FLAT 1/2 SAE PLT		
12.	803-020C	NUT HEX 1/2-13 PLT		
13.	804-015C	WASHER LOCK SPRING 1/2 PLT		
14.	802-214C	RHSNB 1/2-13X1 1/4 GR5		
15.	312-327K	DBL CHAIN GRD ASSY; LH REAR O		
15.	312-331K	DBL CHAIN GRD ASSY; RH REAR O		
16.	312-480D	CHAIN HANGER RD WING AFT OUTBD		
17.	312-528D	CHAIN HANGER ROD-15 13/16 LONG		
18.	312-450H	CHAIN GUARD DBL WLD-LH WNG OTB		
18.	312-449H	CHAIN GUARD DBL WLD-RH WNG OTB		
19.	312-479D	WING CHAIN HANGER ROD - SHORT		
20.	312-265K	GUARD ASSY -LH WING REAR OUTBD		
20.	312-269K	GUARD ASSY -RH WING REAR OUTBD		
21.	312-480D	CHAIN HANGER RD WING AFT OUTBD		
22.	312-447H	CHAIN GUARD WLD-RH WING OUTBD		
22.	312-448H	CHAIN GUARD WLD-LH WING OUTBD		
23.	312-462D	SKIRT - LH WING REAR OUTBD		
23.	312-464D	SKIRT - RH WING REAR OUTBD		
24.	312-463D	SKIRT - LH WING REAR INBD		
24.	312-465D	SKIRT - RH WING REAR INBD		
25.	312-267K	GUARD ASSY - LH WING REAR INBD		
25.	312-268K	GUARD ASSY - RH WING REAR INBD		
26.	312-478D	CHAIN HANGER ROD WING AFT INBD		
27.	312-746D	GUARD-CHAIN LH WING REAR INBD		
27.	312-747D	GUARD-CHAIN RH WING REAR INBD		
28.	312-329K	DBL CHAIN GRD ASSY; LH REAR I		
28.	312-330K	DBL CHAIN GRD ASSY; RH REAR I		
29.	312-755D	GUARD-DBL CHAIN LH WNG R INBD		
29.	312-756D	GUARD-DBL CHAIN RH WNG R INBD		
30.	312-526D	CHAIN HANGER ROD - 12 1/8 LONG		
31.	312-478D	CHAIN HANGER ROD WING AFT INBD		

## ***Driveline Arrangement- 1000 RPM***

**Applies to RCFM45180**



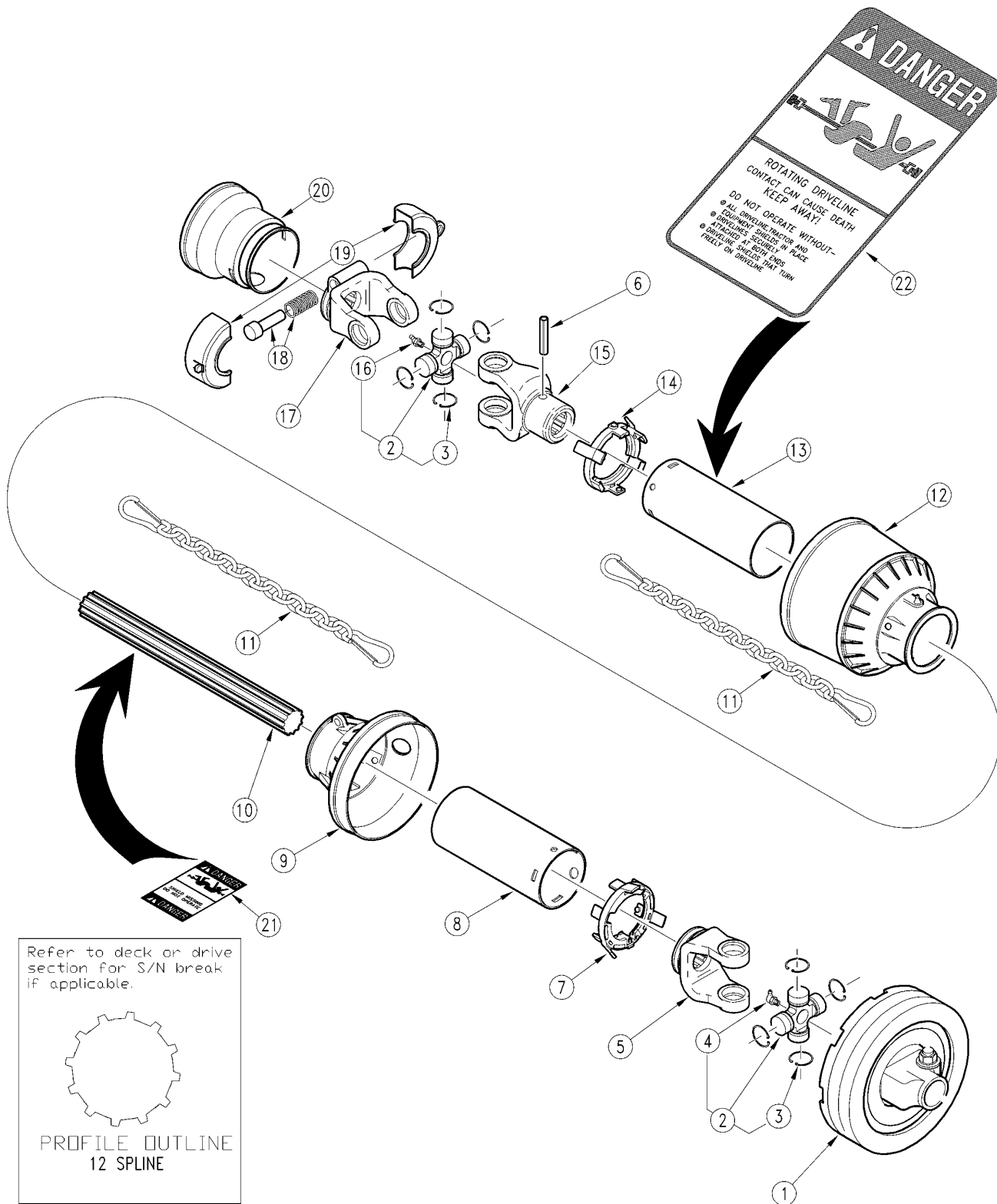
14761

**Driveline Arrangement- 1000 RPM****Applies to RCFM45180**

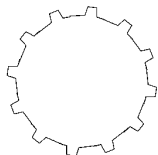
Ref	Part No.	Part Description	Comments	Revision
	dwg14761	Drawing Image Number		
1.	826-113C	PTO 2400 X 43.70 NO CLUTCH	(S/N 115261+)	
1.	826-084C	RPBY 826-113C	(S/N 115260-)	
2.	826-477C	PTO CV V80 X 56.8 NO CLUTCH	Service Only	
2.	826-244C	PTO CV 2580 CAT5 1000 1 3/8-21		Rev. 2 not compat. w/Rev. 1
2.	826-118C	PTO CV 2480 X 43.70 NO CLUTCH	(S/N 115261+) Check for Proper Length Before Installation	Rev. 1
2.	826-099C	RPBY 826-118C	(S/N 82428<->115260)	
2.	826-077C	RPBY 826-099C	(S/N 82427-)	
3.	826-116C	PTO 2400 X 49.61 W/CLUTCH	(S/N 115261+)	
3.	826-096C	RPBY 826-116C	(S/N 82428<->115260)	
3.	826-079C	RPBY 826-096C	(S/N 82427-)	
4.	826-115C	PTO 2400 X 15.28 FIXED W/CLTCH	(S/N 115261<->119062) (S/N 135000+)	
4.	826-095C	RPBY 826-115C	(S/N 82428<->115260) (S/N 119063<->134999)	
4.	826-078C	RPBY 826-094C & 826-095C	(S/N 82427-)	

**Driveline Center (826-078C) (S/N 82427-)**

Applies to RCFM45180



Refer to deck or drive section for S/N break if applicable.



PROFILE OUTLINE  
12 SPLINE

11114

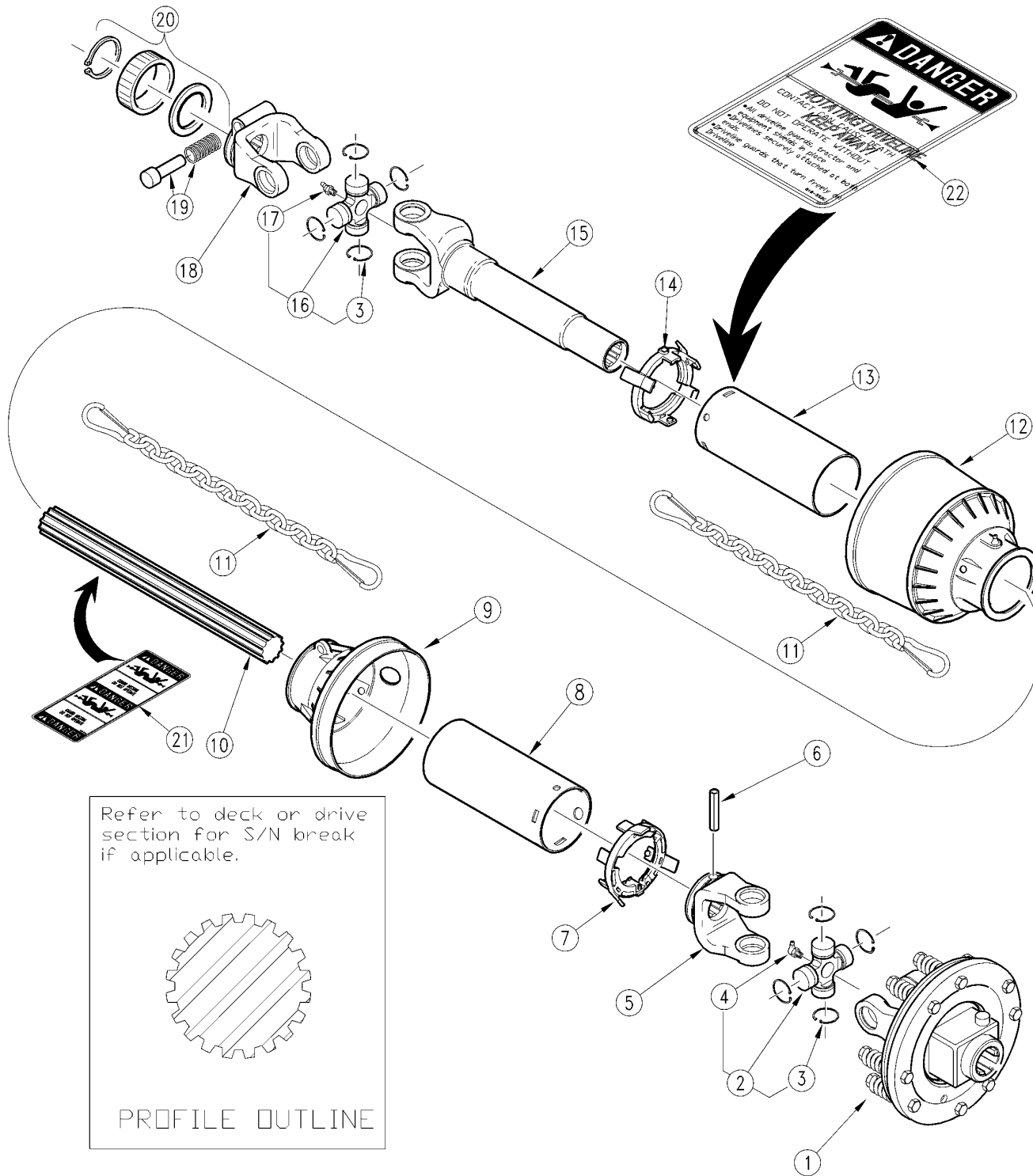


**Driveline Center (826-078C) (S/N 82427-)****Applies to RCFM45180**

<b>Ref</b>	<b>Part No.</b>	<b>Part Description</b>	<b>Comments</b>	<b>Revision</b>
	dwg11114	Drawing Image Number		
	826-078C	RPBY 826-094C & 826-095C		
1.	676548303	BP TORQUE LIMITER		
2.	412050006	BP CROSS JOURNAL ASSY		
3.	338020000	BP SNAP RING		
4.	348005000	BP GREASE ZERK		
5.	204053354	BP YOKE		
6.	345012000	BP ROLL PIN		
7.	255050005	BP OUTER BEARING		
8.	236630185	BP SAFETY TUBE		
9.	517050008	BP CONE WITH COLLAR		
10.	249110330	BP SHAFT SPLINED		
11.	252000001	BP SAFETY CHAIN		
12.	517050091	BP CONE WITH COLLAR		
13.	236530185	BP SAFETY TUBE		
14.	255050006	BP INNER BEARING		
15.	204053361	BP YOKE FEMALE		
16.	348004000	BP GREASE ZERK		
17.	510050351	BP YOKE		
18.	403000001	BP COMPLETE PUSH BUTTON		
19.	255050009	BP RING NUT		
20.	517050008	BP CONE WITH COLLAR		
21.	399141000	BP DECAL - ENTANGLEMENT		
22.	399143000	BP DECAL - SHIELD MISSING		

**Driveline Center (826-095C) (S/N 82428 to 115260) (S/N 119063 to 134999)**

Applies to RCFM45180



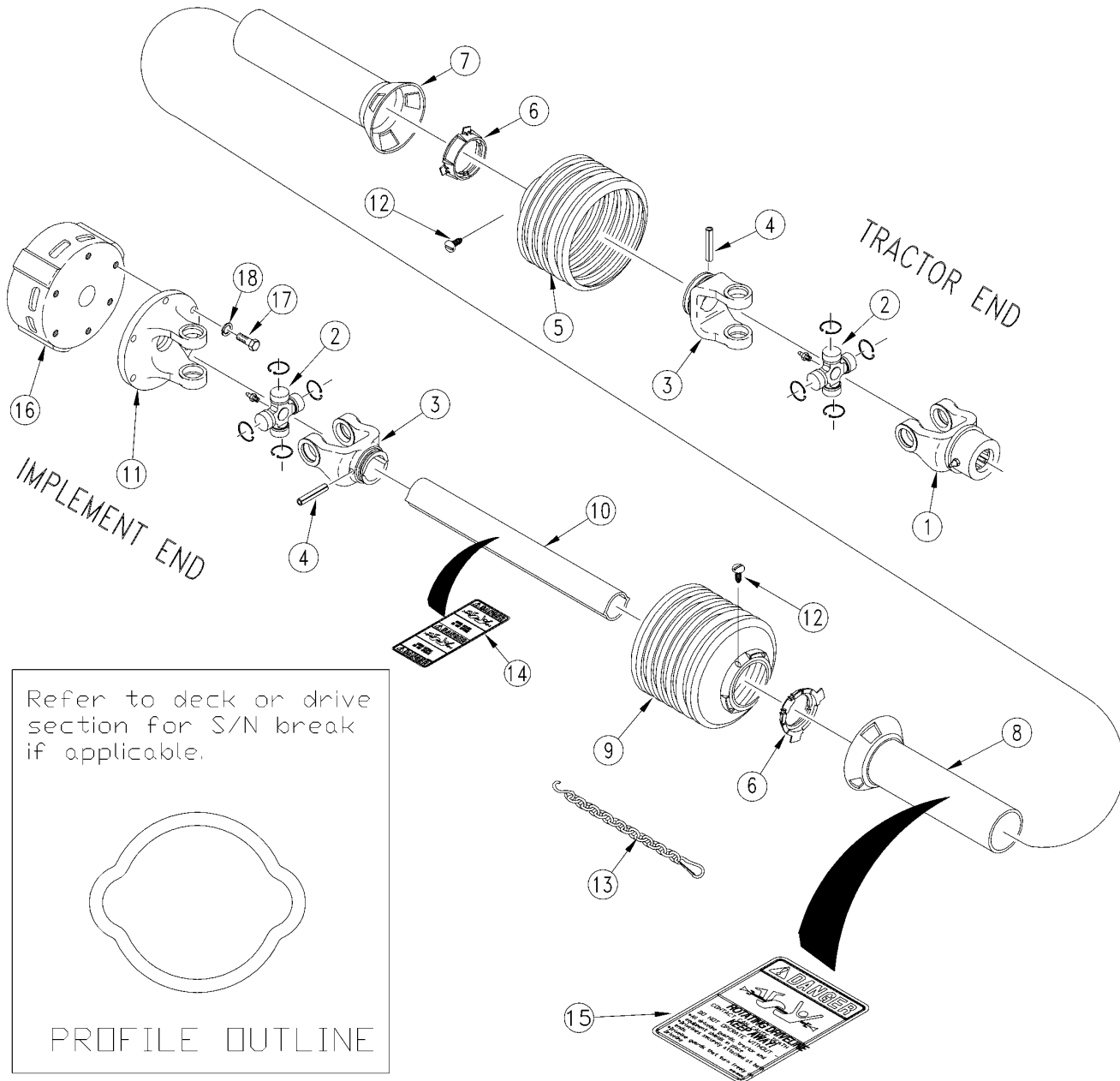
11621

**Driveline Center (826-095C) (S/N 82428 to 115260) (S/N 119063 to 134999)****Applies to RCFM45180**

<b>Ref</b>	<b>Part No.</b>	<b>Part Description</b>	<b>Comments</b>	<b>Revision</b>
	dwg11621	Drawing Image Number		
	826-095C	RPBY 826-115C		
1.	638237001	BP TORQUE LIMITER		
2.	41205	BP CROSS JOURNAL ASSY		
3.	338020000	BP SNAP RING		
4.	348004000	BP GREASE ZERK		
5.	204053361	BP YOKE FEMALE		
6.	345012000	BP ROLL PIN		
7.	255050006	BP INNER BEARING		
8.	236530152	BP SAFETY TUBE		
9.	517050099	BP CONE WITH COLLAR		
10.	249110242	BP CM SPLINED MALE		
11.	252000001	BP SAFETY CHAIN		
12.	517050098	BP CONE WITH COLLAR		
13.	236630152	BP SAFETY TUBE		
14.	255050005	BP OUTER BEARING		
15.	569B50254	BP YOKE FEMALE		
16.	412050006	BP CROSS JOURNAL ASSY		
17.	348005000	BP GREASE ZERK		
18.	572050351	BP YOKE		
19.	403000001	BP COMPLETE PUSH BUTTON		
20.	240003051	BP COMPLETE SLEEVE		
21.	399143000	BP DECAL - SHIELD MISSING		
22.	399141000	BP DECAL - ENTANGLEMENT		

**Driveline Center (826-115C) (S/N 115261 to 119062) (S/N 135000+)**

Applies to RCFM45180



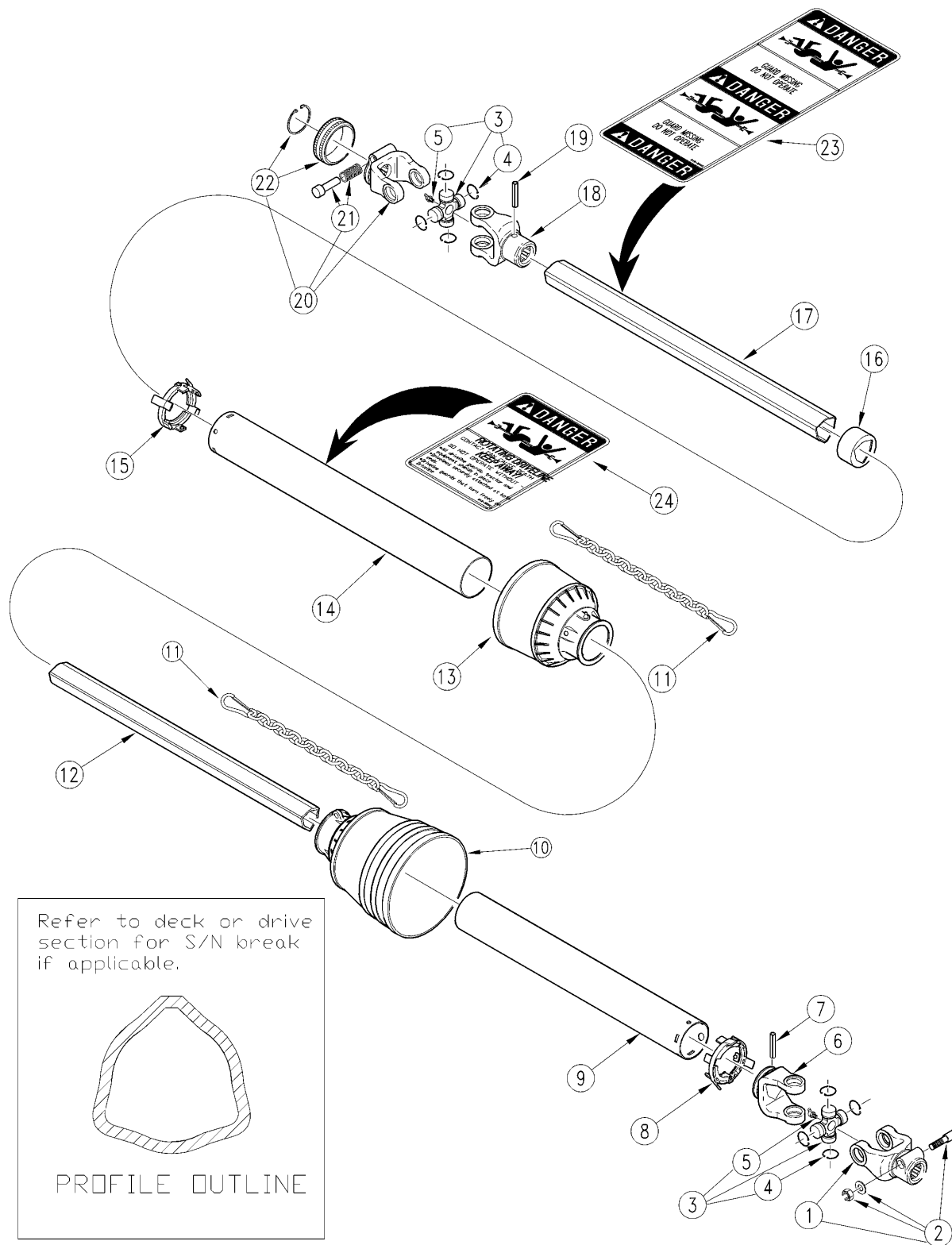
26854

**Driveline Center (826-115C) (S/N 115261 to 119062) (S/N 135000+)****Applies to RCFM45180**

<b>Ref</b>	<b>Part No.</b>	<b>Part Description</b>	<b>Comments</b>	<b>Revision</b>
	dwg26854	Drawing Image Number		
	826-115C	PTO 2400 X 15.28 FIXED W/CLTCH		
1.	382329	WS YOKE 1 3/8"-6 SPL ASSY		
2.	312410	WS CROSS BEARING KIT		
3.	019519	WS INBOARD YOKE		
4.	020617	WS SPRING PIN 10 X 20		
5.	377336	WS SHIELD CONE 6 RIB		
6.	087276	WS BEARING RING - SC25		
7.	386428	WS INNER SHIELD TUBE		
8.	386427	WS OUTER SHIELD TUBE		
9.	377436	WS SHIELD CONE - 6 RIB		
10.	389856	WS OUTER PROFILE 2A		
11.	023469	WS FLANGE YOKE		
12.	365305	WALTERSCHEID SCREW		
13.	044321	WALTERSCHEID SAFETY CHAIN		
14.	818-540C	DECAL DANGER GUARD MISS PTO		
15.	818-552C	DECAL DANGER PTO DRIVELINE		
16.	053385	WS EK92 CLUTCH 900 NM 2400		
17.	020514	WALTERSCHEID HEXAGON SCREW		
18.	020103	WS LOCKWASHER A8 DIN 127		

**Driveline Conv. 1000 RPM (826-084C) (S/N 115260-)**

Applies to RCFM45180



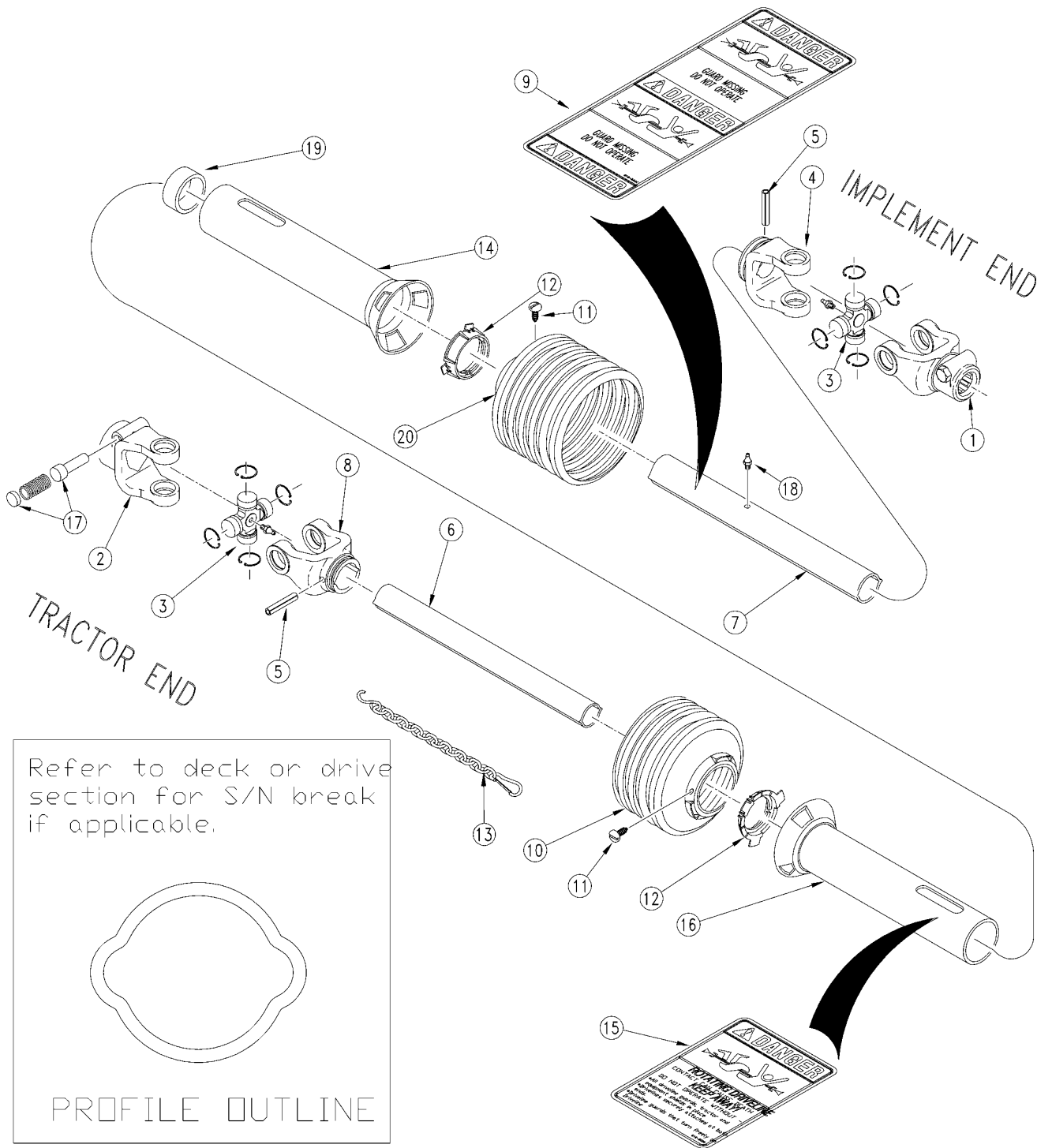
26852

**Driveline Conv. 1000 RPM (826-084C) (S/N 115260-)****Applies to RCFM45180**

Ref	Part No.	Part Description	Comments	Revision
	dwg26852	Drawing Image Number		
	826-084C	RPBY 826-113C		
1.	509063854	BP YOKE		
2.	408000041	BP PIVOT		
3.	41206	BP CROSS JOURNAL ASSY		
4.	338020000	BP SNAP RING		
5.	348004000	BP GREASE ZERK		
6.	204066852	BP INNER TUBE YOKE		
7.	341043000	BP ROLL PIN		
8.	255060006	BP INNER BEARING		
9.	237005309	BP SAFETY TUBE		
10.	517050009	BP CONE WITH COLLAR		
11.	252000001	BP SAFETY CHAIN		
12.	225160946	BP CARDAN TUBE		
13.	517050030	BP SAFETY CONE		Rev. 2
13.	517050004	RPBY 517050030		Rev 1; Use up stock
14.	236630876	BP SAFETY TUBE		
15.	255060005	BP OUTER BEARING		
16.	239006812	BP RING NUT		
17.	224210939	BP CARDAN TUBE		
18.	204066851	BP OUTER TUBE YOKE		
19.	341042000	BP ROLL PIN		
20.	5720H3776	BP YOKE RS		
21.	403000001	BP COMPLETE PUSH BUTTON		
22.	240002461	BP QUICK DISCONNECT KIT		
23.	399143000	BP DECAL - SHIELD MISSING		
24.	399141000	BP DECAL - ENTANGLEMENT		

**Driveline Conv. 1000 RPM (826-113C) (S/N 115261+)**

Applies to RCFM45180



12386

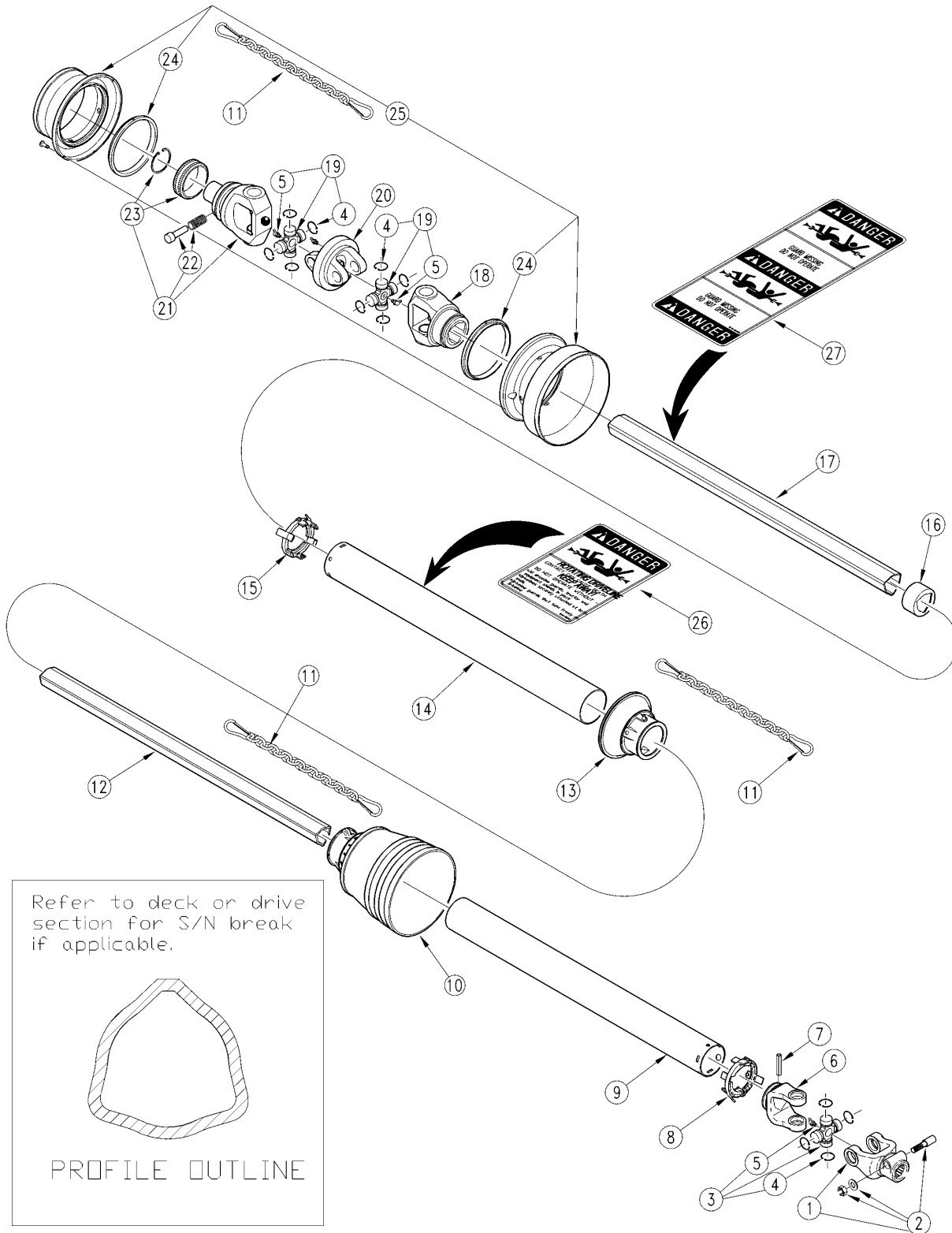


**Driveline Conv. 1000 RPM (826-113C) (S/N 115261+)****Applies to RCFM45180**

<b>Ref</b>	<b>Part No.</b>	<b>Part Description</b>	<b>Comments</b>	<b>Revision</b>
	dwg12386	Drawing Image Number		
	826-113C	PTO 2400 X 43.70 NO CLUTCH		
1.	331053	WS YOKE 1 3/4-20 SPL.I.C. 2500		
2.	019516	WS YOKE 1 3/8-21 SPL Q.D.		
3.	312410	WS CROSS BEARING KIT		
4.	019519	WS INBOARD YOKE		
5.	020617	WS SPRING PIN 10 X 20		
6.	081133	WS INNER PROFILE		
7.	385911	WS PROFILE & SLEEVE W.A.1B/2AL		
8.	019518	WS INBOARD YOKE		
9.	818-540C	DECAL DANGER GUARD MISS PTO		
10.	377336	WS SHIELD CONE 6 RIB		
11.	365305	WALTERSCHEID SCREW		
12.	087276	WS BEARING RING - SC25		
13.	044321	WALTERSCHEID SAFETY CHAIN		
14.	384064	WS INNER SHIELD TUBE-ROUND		
15.	818-552C	DECAL DANGER PTO DRIVELINE		
16.	389849	WS OUTER SHIELD TUBE OVL.		
17.	339107	WS Q.D. PIN KIT		
18.	380371	WS ZERK		
19.	355155	WS SUPPORT BEARING		
20.	377341	WS SHIELD CONE 11 RIB		

**Driveline CV 1000 RPM (826-077C) (S/N 82427-)**

Applies to RCFM45180



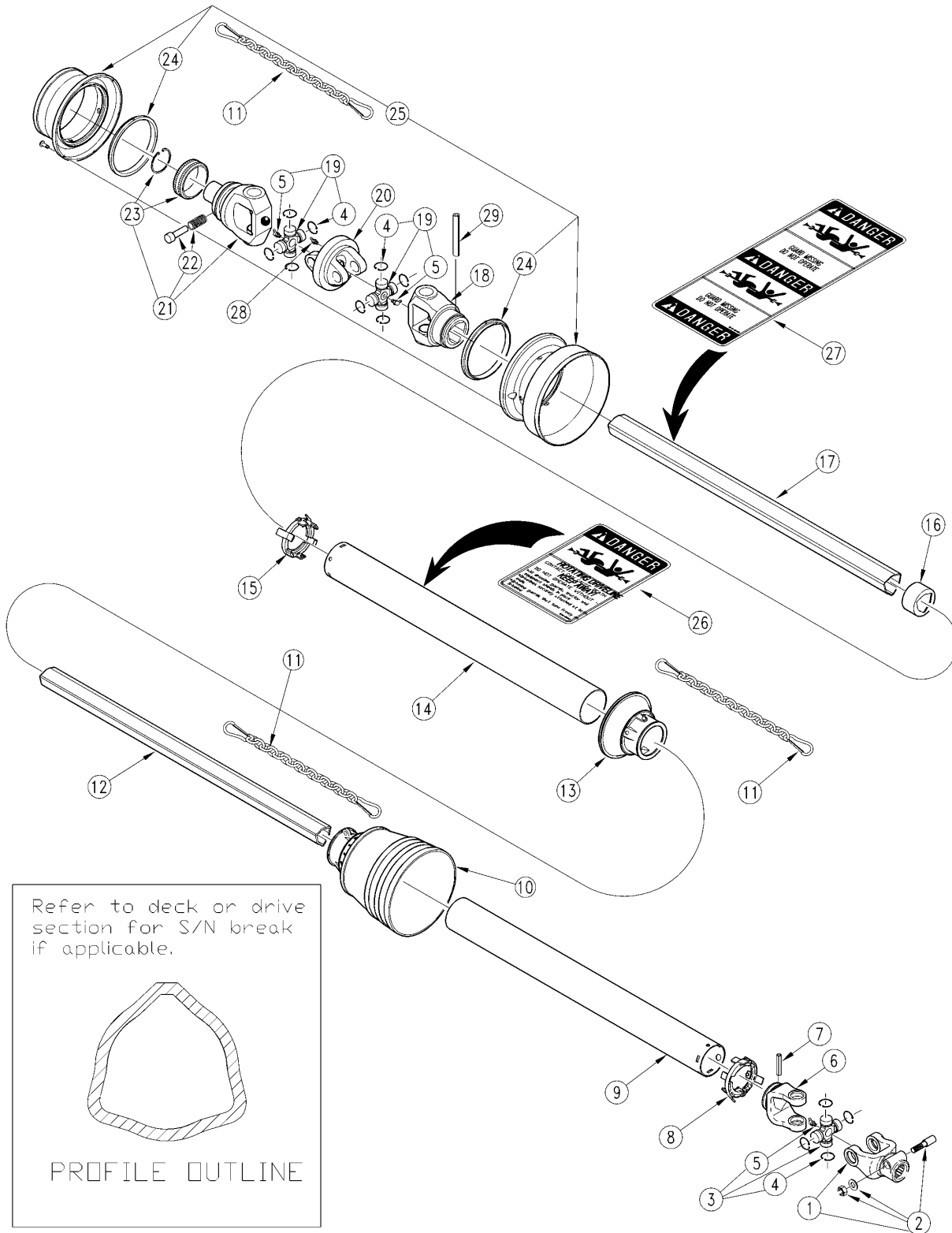
14370

**Driveline CV 1000 RPM (826-077C) (S/N 82427-)****Applies to RCFM45180**

Ref	Part No.	Part Description	Comments	Revision
	dwg14370	Drawing Image Number		
	826-077C	RPBY 826-099C		
1.	509063854	BP YOKE		
2.	408000041	BP PIVOT		
3.	41206	BP CROSS JOURNAL ASSY		
4.	338020000	BP SNAP RING		
5.	348004000	BP GREASE ZERK		
6.	204066852	BP INNER TUBE YOKE		
7.	341043000	BP ROLL PIN		
8.	255060006	BP INNER BEARING		
9.	237005356	BP SAFETY TUBE		
10.	517050009	BP CONE WITH COLLAR		
11.	252000001	BP SAFETY CHAIN		
12.	270060833	BP CARDAN TUBE		Rev. 2
12.	244160833	BP CARDAN TUBE	RPBY 270060833)	Rev 1; Use up stock
13.	254050029	BP SAFETY CONE		
14.	236630771	BP SAFETY TUBE		
15.	255060005	BP OUTER BEARING		
16.	259006802	BP RING NUT		
17.	224210834	BP CARDAN TUBE		
18.	215066854	BP YOKE		
19.	412060012	BP CROSS JOURNAL ASSY		
20.	511060051	BP CENTRAL BODY		
21.	573063781	BP YOKE W/COLLAR/BALL KIT	Twist Collar	
21.	573063775	RPBY 573063781	Ball Collar	
21.	435000302R	BP YOKE REPAIR KIT	Repair Kit For 573063781	
22.	403000013	BP COMPLETE PUSH BUTTON		
23.	240080061	BP HUB		
24.	255060006	BP RING NUT DOWELS		
25.	517068051	BP COMPLETE SHELL		
26.	399141000	BP DECAL - ENTANGLEMENT		
27.	399143000	BP DECAL - SHIELD MISSING		

**Driveline CV 1000 RPM (826-099C) (S/N 82428 to 115260)**

Applies to RCFM45180



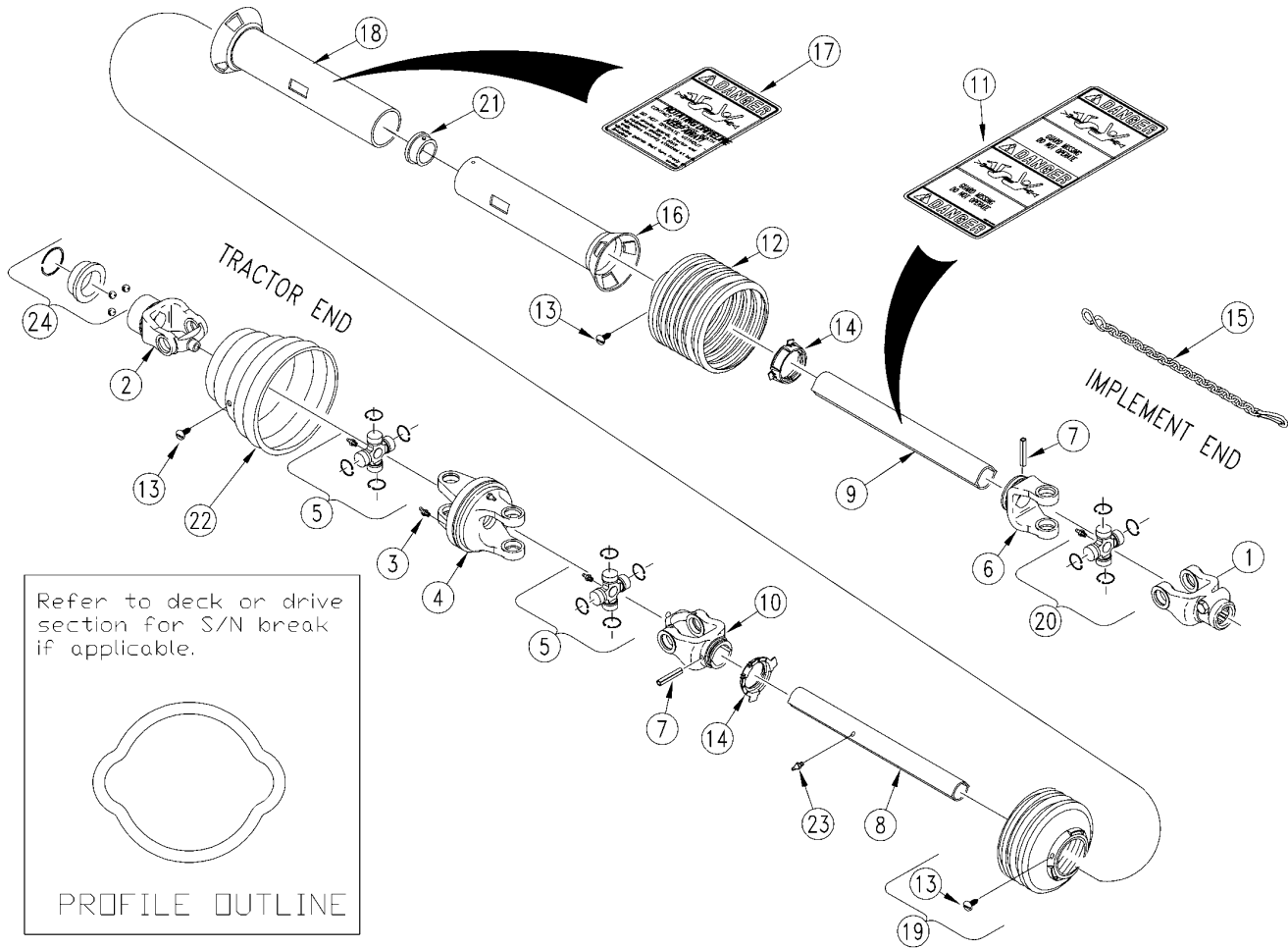
11115

**Driveline CV 1000 RPM (826-099C) (S/N 82428 to 115260)****Applies to RCFM45180**

Ref	Part No.	Part Description	Comments	Revision
	dwg11115	Drawing Image Number		
	826-099C	RPBY 826-118C		
1.	509063854	BP YOKE		
2.	408000041	BP PIVOT		
3.	41206	BP CROSS JOURNAL ASSY		
4.	338020000	BP SNAP RING		
5.	348004000	BP GREASE ZERK		
6.	204066852	BP OUTER TUBE YOKE		
7.	341043000	BP ROLL PIN		
8.	255060006	BP INNER BEARING		
9.	237005356	BP SAFETY TUBE		
10.	517050009	BP CONE WITH COLLAR		
11.	252000001	BP SAFETY CHAIN		
12.	245160836	BP CARDAN TUBE		
13.	254050029	BP SAFETY CONE		
14.	236630771	BP SAFETY TUBE		
15.	255060005	BP OUTER BEARING		
16.	259006803	BP RING NUT		
17.	224270834	BP CARDAN TUBE		
18.	215066854	BP YOKE		
19.	412060012	BP CROSS JOURNAL ASSY		
20.	511060051	BP CENTRAL BODY		
21.	573063781	BP YOKE W/COLLAR/BALL KIT	Twist Collar	
21.	573063775	RPBY 573063781	Ball Collar	
21.	435000302R	BP YOKE REPAIR KIT	Repair Kit For 573063781	
22.	403000013	BP COMPLETE PUSH BUTTON		
23.	240080061	BP HUB		
24.	255060351	BP RING NUT DOWELS		
25.	517068051	BP COMPLETE SHELL		
26.	399143000	BP DECAL - SHIELD MISSING		
27.	399141000	BP DECAL - ENTANGLEMENT		
28.	348017000	BP GREASE ZERK		
29.	341042000	BP ROLL PIN		

**Driveline CV 1000 RPM (826-118C) (S/N 115261+)**

Applies to RCFM45180



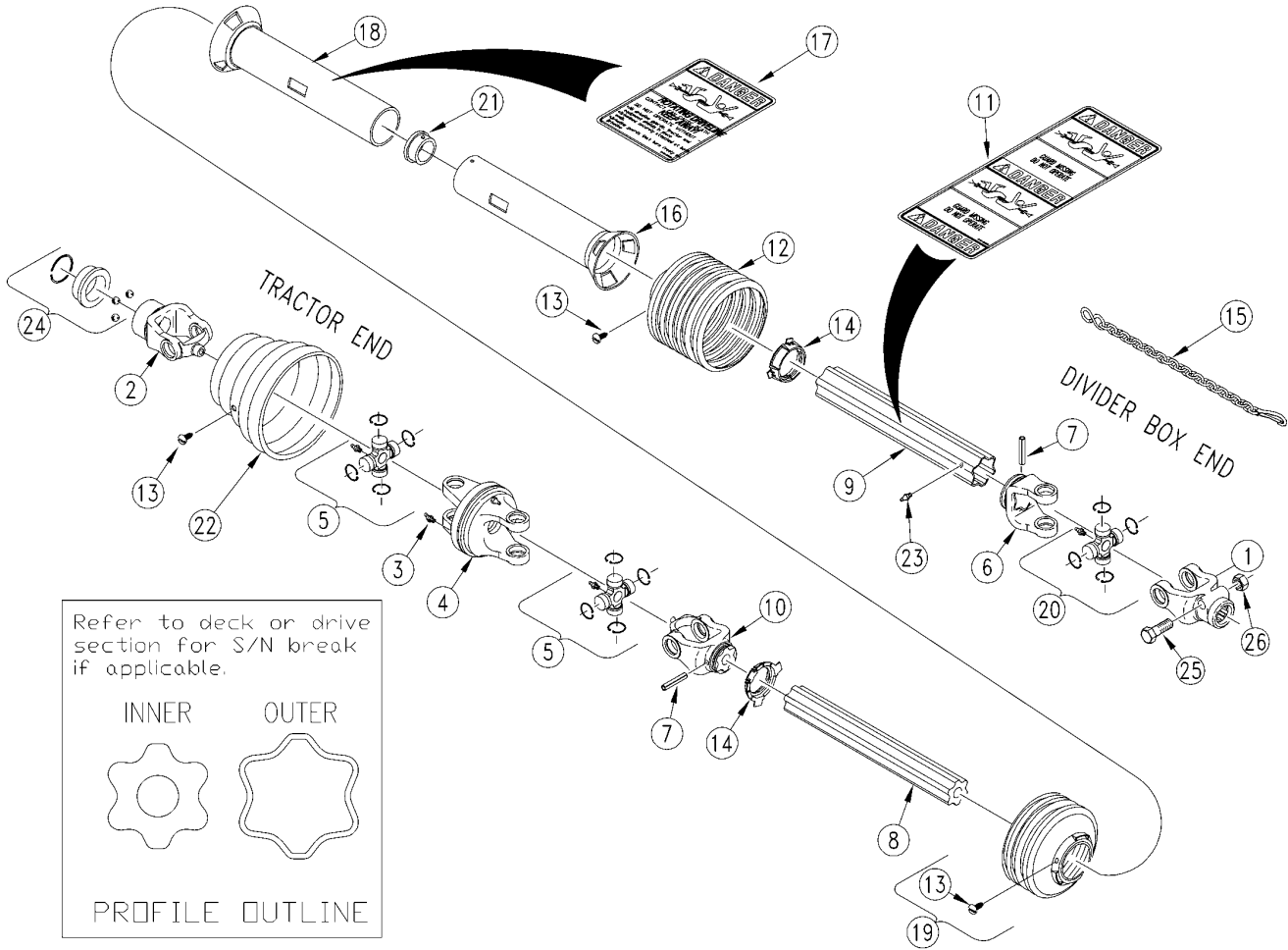
14066

**Driveline CV 1000 RPM (826-118C) (S/N 115261+)****Applies to RCFM45180**

Ref	Part No.	Part Description	Comments	Revision
	dwg14066	Drawing Image Number		
	826-118C	PTO CV 2480 X 43.70 NO CLUTCH		
1.	331053	WS YOKE 1 3/4-20 SPL.I.C. 2500		
2.	380883	WS YOKE 1 3/8-21 SPL		
3.	020672	WS GREASE ZERK		
4.	365722	WS DOUBLE YOKE		
5.	342221	WS CROSS & BEARING KIT		
6.	019519	WS INBOARD YOKE		
7.	020617	WS SPRING PIN 10 X 20		
8.	095758	WS INNER PROFILE 16 GA		
9.	382647	WS PROFILE & SLEEVE		
10.	341586	WS INBOARD YOKE		
11.	818-540C	DECAL DANGER GUARD MISS PTO		
12.	377341	WS SHIELD CONE 11 RIB		
13.	365305	WALTERSCHEID SCREW		
14.	087276	WS BEARING RING - SC25		
15.	044321	WALTERSCHEID SAFETY CHAIN		
16.	382437	WS INNER SHIELD TUBE ROUND		
17.	818-552C	DECAL DANGER PTO DRIVELINE		
18.	389851	WS OUTER SHIELD TUBE OVL.		
19.	172758	WS SHIELD CONE 3 RIB		
20.	312410	WS CROSS BEARING KIT		
21.	355155	WS SUPPORT BEARING		
22.	386083	WS CV CONE & BEARING ASSY		
23.	380371	WS ZERK		
24.	381908	WS QUICK DISCONNECT KIT		

**Driveline CV 1000 RPM (826-244C) Walterscheid**

Applies to RCFM45180



14067

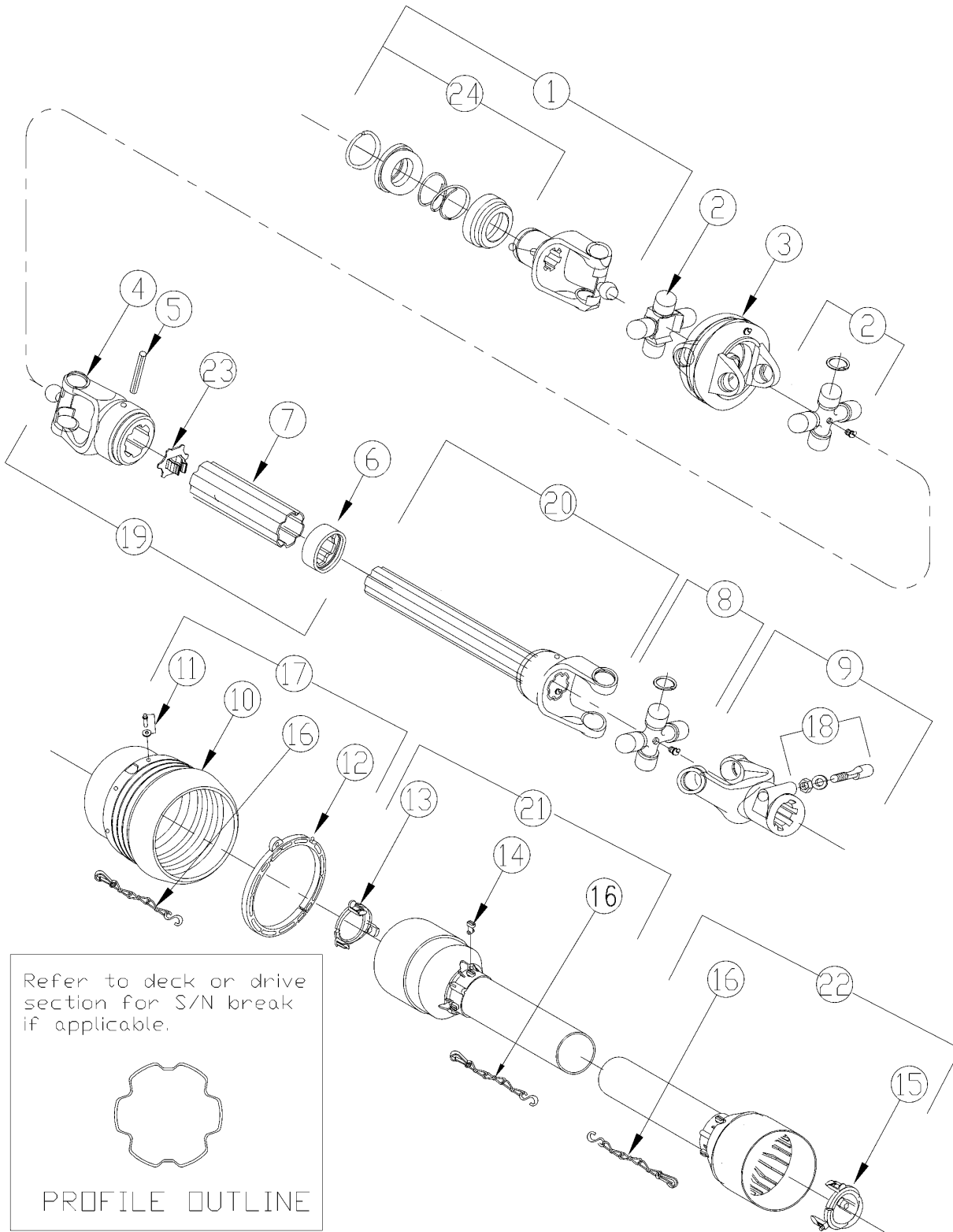


***Driveline CV 1000 RPM (826-244C) Walterscheid*****Applies to RCFM45180**

<b>Ref</b>	<b>Part No.</b>	<b>Part Description</b>	<b>Comments</b>	<b>Revision</b>
	dwg14067	Drawing Image Number		
	826-244C	PTO CV 2580 CAT5 1000 1 3/8-21		
1.	325027	WS YOKE 1 3/4-20 SPL.I.C. 2500		
2.	363696	WS YOKE 1 3/8-21 SPL. AS		
3.	020672	WS GREASE ZERK		
4.	365725	WS DOUBLE YOKE 2500		
5.	384316	WS CROSS & BEARING KIT 2500		
6.	097140	WS INBOARD YOKE 2500		
7.	304046	WS SPRING PIN 10 X 90		
8.	381367	WS IN PROF S4GA (330162) 840MM		
9.	388204	WS PROF&SLV W.A. 830MM		
10.	331573	WS INBOARD YOKE S4		
11.	818-540C	DECAL DANGER GUARD MISS PTO		
12.	377442	WS SHIELD CONE - 12 RIB		
13.	365305	WALTERSCHEID SCREW		
14.	087276	WS BEARING RING - SC25		
15.	044321	WALTERSCHEID SAFETY CHAIN		
16.	387097	WS IN SHIELD RND (391410)750MM		
17.	818-552C	DECAL DANGER PTO DRIVELINE		
18.	391406	WS OUT SHLD OVL (391409) 755MM		
19.	104810	WS SHIELD CONE 4 RIB		
20.	312209	WS CROSS & BEARING KIT 2500		
21.	355155	WS SUPPORT BEARING		
22.	386048	WS CV CONE & BEARING ASSY		
23.	380371	WS ZERK		
24.	364915	WS ASSY COLLAR KIT		
25.	702352	WS HEX BOLT M16 X 90 GR 8.8		
26.	304011	WS LOCK NUT M16		

**Driveline CV 1000 RPM (826-477C) Comer (Service Only)**

Applies to RCFM45180



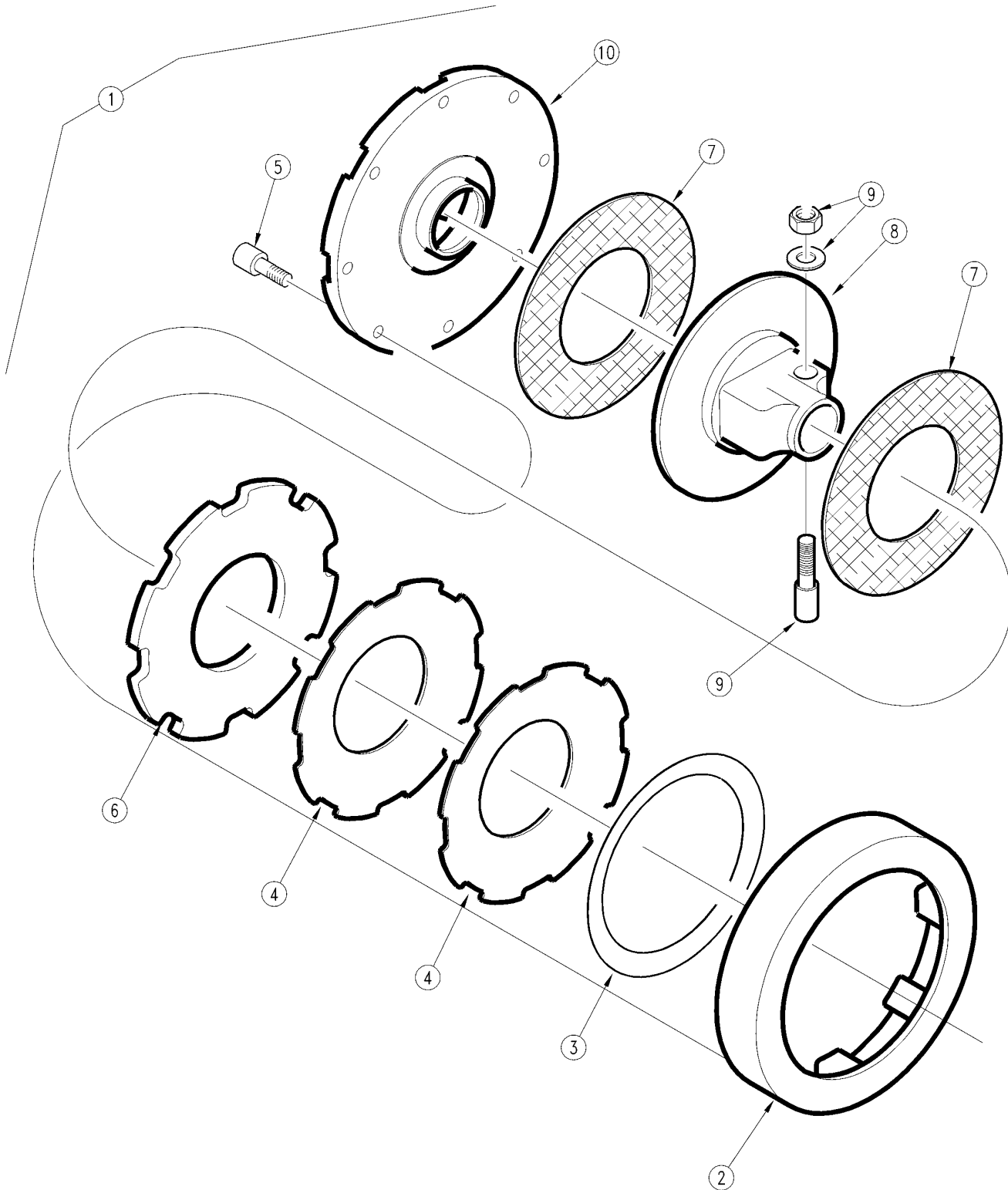
23948

**Driveline CV 1000 RPM (826-477C) Comer (Service Only)****Applies to RCFM45180**

Ref	Part No.	Part Description	Comments	Revision
	dwg23948	Drawing Image Number		
	826-477C	PTO CV V80X56.8 NO/CL 1 3/8-21 *		
1.	141.028.359.1	COMER CV-JOINT YOKE COLLER		
2.	180.018.158	COMER CV -JOINT CROSS ASSEMBLY		
3.	141.028.472.1	COMER WIDE ANGLE DOUBLE YOKE		
4.	141.028.248.1	COMER OUTER YOKE		
5.	190.000.243	COMER OUTER TUBE ROLL PIN		
6.	180.018.437	COMER WIPER		
7.	1522805260710	COMER OUTER TUBE COMPLETE		
8.	180.018.004	COMER CROSS ASSEMBLY		
9.	141.028.195.1	COMER YOKE COMPLETE		
10.	180.018.567	COMER CV JOINT GUARD CONE		
11.	165.000.694	COMER SCREW KIT FOR CV GUARD		
12.	158.018.470	COMER BEARING RING		
13.	180.018.251	COMER RETAINING COLLER INNER		
14.	180.014.240	COMER BOLT		
15.	180.018.252	COMER RETAINING COLLER INNER		
16.	180.016.025	COMER SAFTEY CHAINS		
17.	165.000.785	COMER CONE GUARD ASSEMBLY		
18.	165.000.589	COMER TAPERED PIN SET 1 3/4		
19.	122.981.002.1	COMER TUBE W/YOKE/LUBE/FEMALE		
20.	122.580.501.1	COMER TUBE W/YOKE/LUBE/MALE		
21.	1422831442821	COMER HALF FEMALE GRD W/LABEL		
22.	1422871642821	COMER HALF MALE GUARDING		
23.	180.018.393	COMER CAP OUTER TUBE, PLASTIC		
24.	165.000.628	COMER COLLER KIT 3/8 YOKE		

**Driveline Slip Clutch (676548303) Bondioli (S/N 82427-)**

Applies to RCFM45180



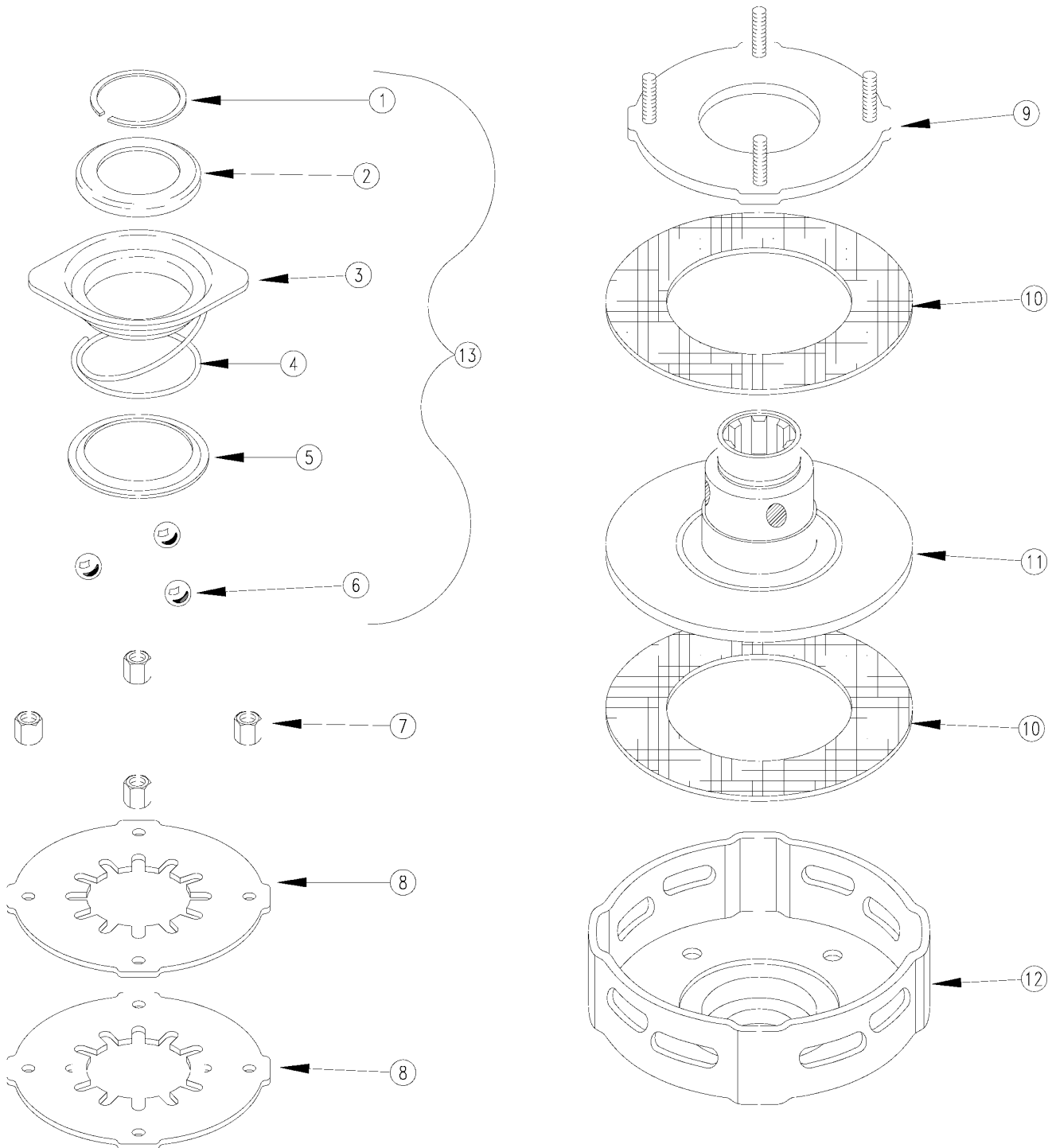
11113

***Driveline Slip Clutch (676548303) Bondioli (S/N 82427-)*****Applies to RCFM45180**

<b>Ref</b>	<b>Part No.</b>	<b>Part Description</b>	<b>Comments</b>	<b>Revision</b>
	dwg11113	Drawing Image Number		
	676548303	RPBY 663G48403R *		
1.	676548303	BP TORQUE LIMITER		
2.	264630001	BP CLUTCH OUTER BODY		
3.	246000019	BP SCREEN RING		
4.	367002630	BP SPRING		
5.	303003400	BP SCREW		
6.	248630001	BP TIGHTENING PLATE		
7.	312-563D	CLUTCH FACING - BP INTERNAL		Rev. 2
7.	247006351	BP LINING	(RPBY 312-563D)	Rev 1; Use up stock
8.	515630301	BP SPLINED HUB		
9.	408000033	BP SCREW		
10.	253056301	BP FLANGE YOKE		

### Driveline Slip Clutch (053385)

Applies to RCFM45180



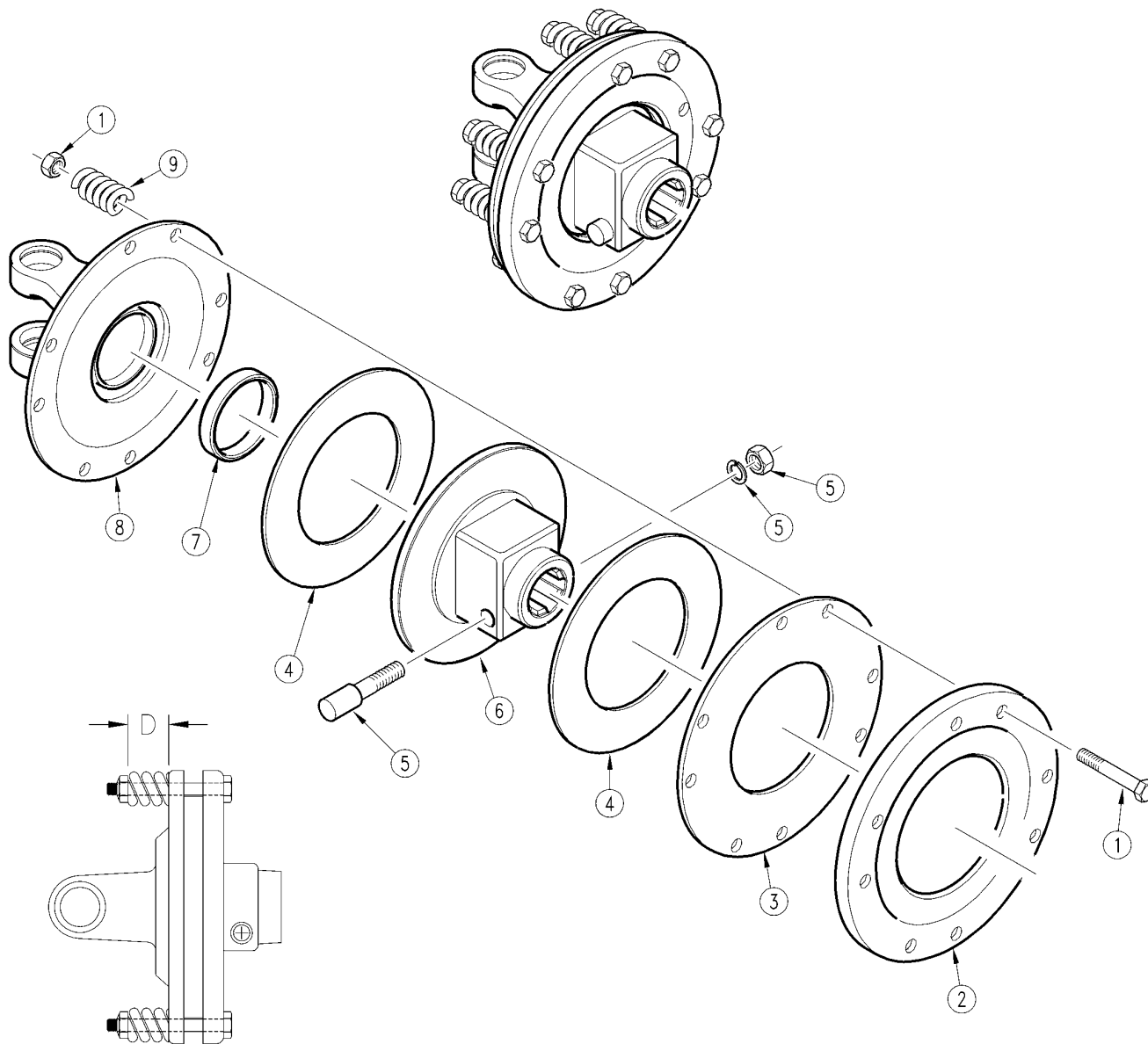
12389

**Driveline Slip Clutch (053385)****Applies to RCFM45180**

<b>Ref</b>	<b>Part No.</b>	<b>Part Description</b>	<b>Comments</b>	<b>Revision</b>
	dwg12389	Drawing Image Number		
	053385	WS EK92 CLUTCH 900 NM 2400		
1.	304149	WS SNAP RING		
2.	338531	WS FLANGED RING		
3.	045790	WALTERSCHEID LOCK COLLAR		
4.	045793	WALTERSCHEID COMPRESSION SPRNG		
5.	047825	WALTERSCHEID BACK UP RING		
6.	020692	WALTERSCHEID BALL		
7.	381957	WALTERSCHEID HEX NUT M8		
8.	043489	WS BELLEVILLE SPRING		
9.	381495	WALTERSCHEID THRUST PLATE		
10.	168556	WS FRICTION DISK		
11.	051551	WALTERSCHEID HUB 1 3/8-6 SPL		
12.	016239	WS CLUTCH HOUSING		
13.	341953	WS Q.D. FLG. KIT		

**Driveline Slip Clutch (638237001, 638248001 & 638248006) Bondioli**

Applies to RCFM45180



FACTORY CLUTCH SETTING

PART NO.	DESCRIPTION	TORQUE SETTING	"D" DIM.
638237001	CENTER DECK - 1000 RPM	740 NM 545 FT/LBS	1 5/32"
638248001	CENTER DECK - 540 RPM	1220 NM 900 FT/LBS	1 1/16"
638248006	WING DECK	1040 NM 760 FT/LBS	1 1/8"

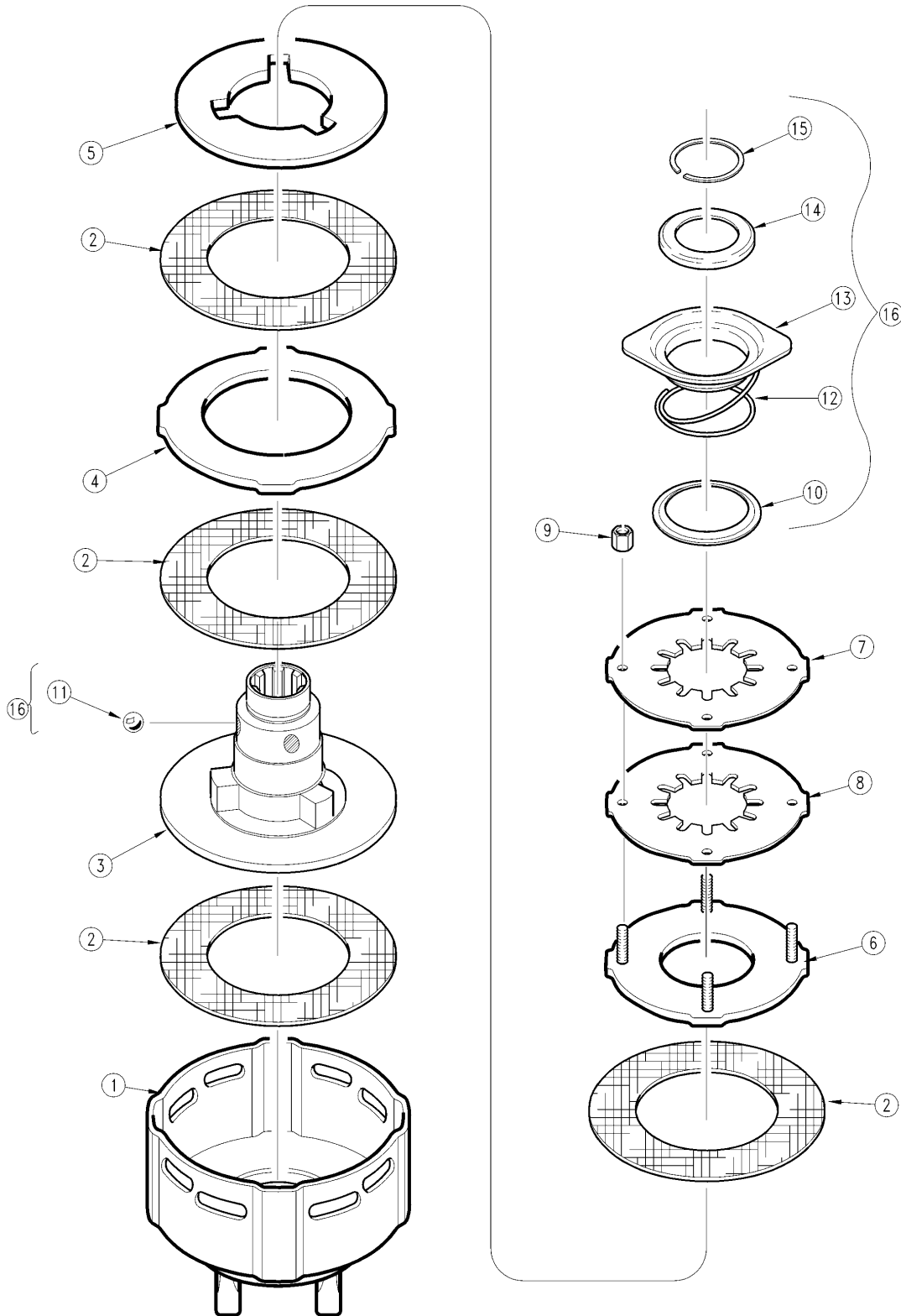


***Driveline Slip Clutch (638237001, 638248001 & 638248006) Bondioli*****Applies to RCFM45180**

<b>Ref</b>	<b>Part No.</b>	<b>Part Description</b>	<b>Comments</b>	<b>Revision</b>
	dwg11534	Drawing Image Number		
	638237001	BP TORQUE LIMITER	Center Deck 1000 RPM	
	638248001	BP TORQUE LIMITER	Center Deck 540 RPM	
	638248006	BP TORQUE LIMITER	Wing Deck	
1.	432000006	BP SCREW (TORQUE LIMITER)		
2.	248230006	BP PRESSURE PLATE		
3.	248230002	BP INNER PLATE		
4.	247000060	BP LINING (TORQUE LIMITER)		Rev. 2
4.	247000061	RPBY 247000060		Rev 1; Use up stock
5.	408000060	BP TAPER PIN SCREW (KIT)		Rev. 2
5.	408000029	RPBY 408000060		Rev 1; Use up stock
6.	515210311	BP FLANGE HUB (TORQUE LIMITER)		
7.	258005320	BP BUSH (TORQUE LIMITER)		
8.	253052101	BP FLANGE YOKE 5		
9.	351022370	BP SPRING (TORQUE LIMITER)		

### Driveline Slip Clutch Wing (333919 & 053356)

Applies to RCFM45180



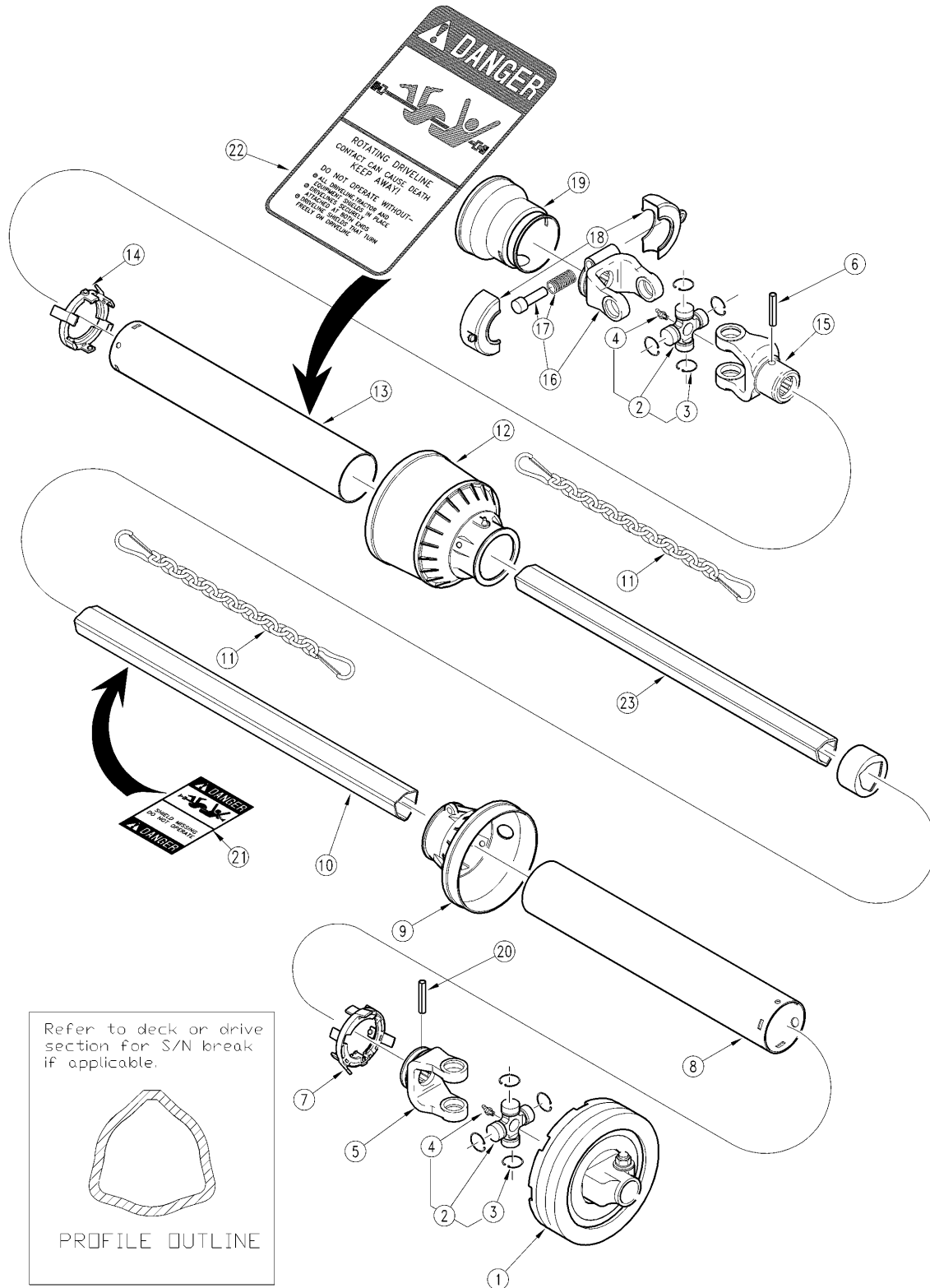
23829

**Driveline Slip Clutch Wing (333919 & 053356)****Applies to RCFM45180**

<b>Ref</b>	<b>Part No.</b>	<b>Part Description</b>	<b>Comments</b>	<b>Revision</b>
	dwg23829	Drawing Image Number		
	333919	WS K92/4 CLUTCH 1200 NM 2400		
	053356	WS EK92/4 CLUTCH 1350 NM 2400		
1.	042446	WS CLUTCH HOUSING	540 RPM Yoke not included, Clutch #053356	
1.	320527	WS CLUTCH HOUSING	1000 RPM Clutch #333919 w/yoke	
2.	168556	WS FRICTION DISK		
3.	051554	WS HUB 1 3/8" - 6 SPL.		
4.	042454	WS DRIVE PLATE		
5.	042459	WS DRIVE PLATE		
6.	381495	WALTERSCHEID THRUST PLATE		
7.	043489	WS BELLEVILLE SPRING		
8.	043487	WALTERSCHEID BELLEVILLE SPRING	540 RPM Clutch #053356	
8.	045560	WS BELLEVILLE SPRING	1000 RPM Clutch #333919	
9.	381957	WALTERSCHEID HEX NUT M8		
10.	047825	WALTERSCHEID BACK UP RING		
11.	020692	WALTERSCHEID BALL		
12.	045793	WALTERSCHEID COMPRESSION SPRNG		
13.	045790	WALTERSCHEID LOCK COLLAR		
14.	338531	WS FLANGED RING		
15.	304149	WS SNAP RING		
16.	341953	WS Q.D. FLG. KIT		

**Driveline Wing (826-079C) (S/N 82427-)**

Applies to RCFM45180



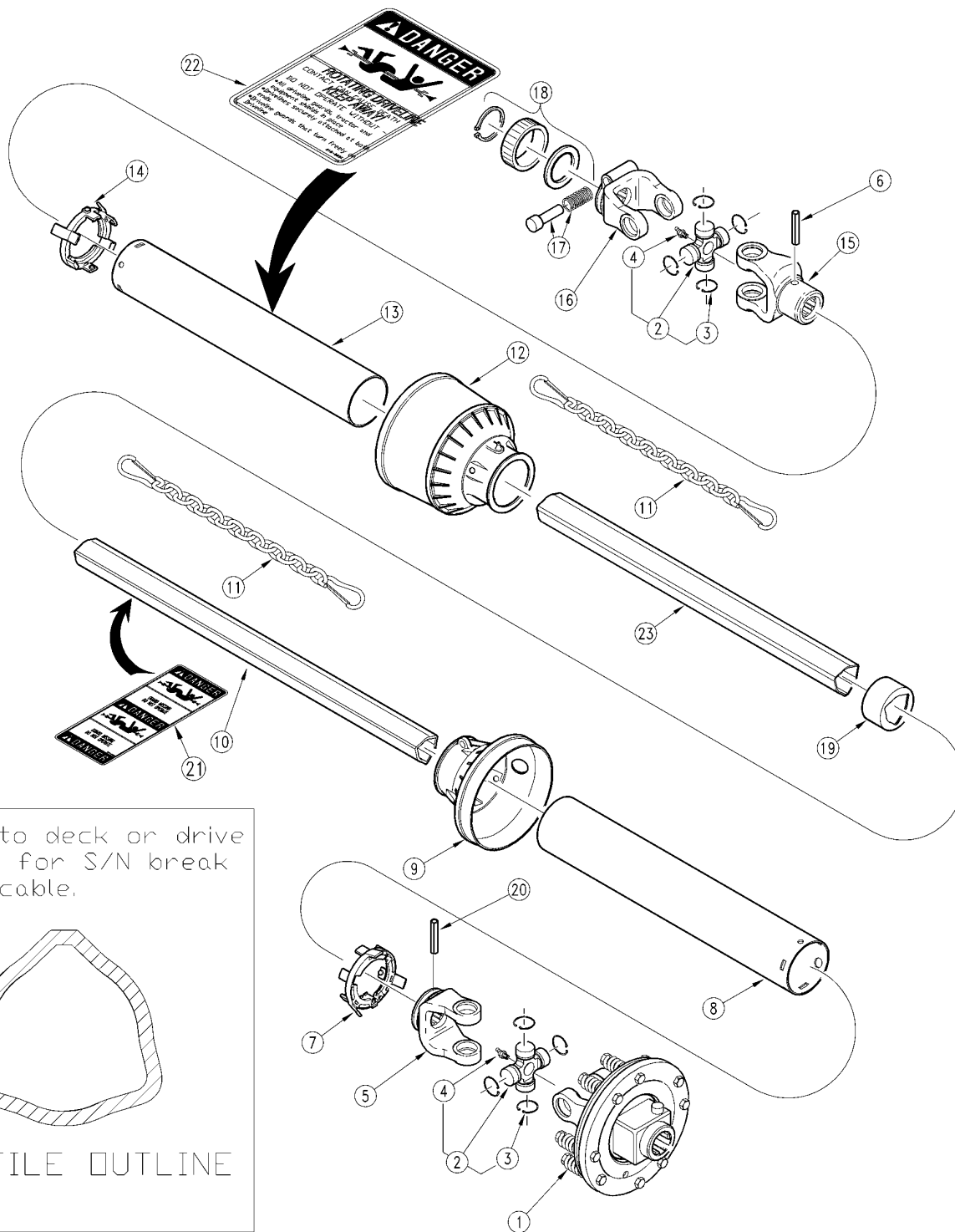
11138

**Driveline Wing (826-079C) (S/N 82427-)****Applies to RCFM45180**

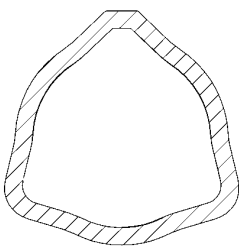
<b>Ref</b>	<b>Part No.</b>	<b>Part Description</b>	<b>Comments</b>	<b>Revision</b>
	dwg11138	Drawing Image Number		
	826-079C	RPBY 826-096C		
1.	676548303	BP TORQUE LIMITER		
2.	41205	BP CROSS JOURNAL ASSY		
3.	338020000	BP SNAP RING		
4.	348004000	BP GREASE ZERK		
5.	204056860	BP OUTER TUBE YOKE		
6.	341002000	BP ROLL PIN		
7.	255050005	BP OUTER BEARING		
8.	236631080	BP SAFETY TUBE		
9.	517050008	BP CONE WITH COLLAR		
10.	224701283	BP CARDAN TUBE		Rev. 2
10.	224701143	RPBY 224701283		Rev 1; Use up stock
11.	252000001	BP SAFETY CHAIN		
12.	517050091	BP CONE WITH COLLAR		
13.	237005357	BP SAFETY TUBE		
14.	255050006	BP INNER BEARING		
15.	204056861	BP INNER TUBE YOKE		
16.	510050351	BP YOKE		
17.	403000001	BP COMPLETE PUSH BUTTON		
18.	255050009	BP RING NUT		
19.	254050007	BP SAFETY CONE		
20.	341043000	BP ROLL PIN		
21.	399141000	BP DECAL - ENTANGLEMENT		
22.	399143000	BP DECAL - SHIELD MISSING		
23.	270161290	BP INNER TB SIZE 6X1290 MM HT		Rev. 3
23.	270111290	BP CRDN TB-INR	(RPBY 270161290)	Rev 2; Use up stock
23.	244111150	BP CARDAN TUBE	(RPBY 270111290)	Rev 1; Use up stock

**Driveline Wing (826-096C) (S/N 82428 to 115260)**

Applies to RCFM45180



Refer to deck or drive section for S/N break if applicable.



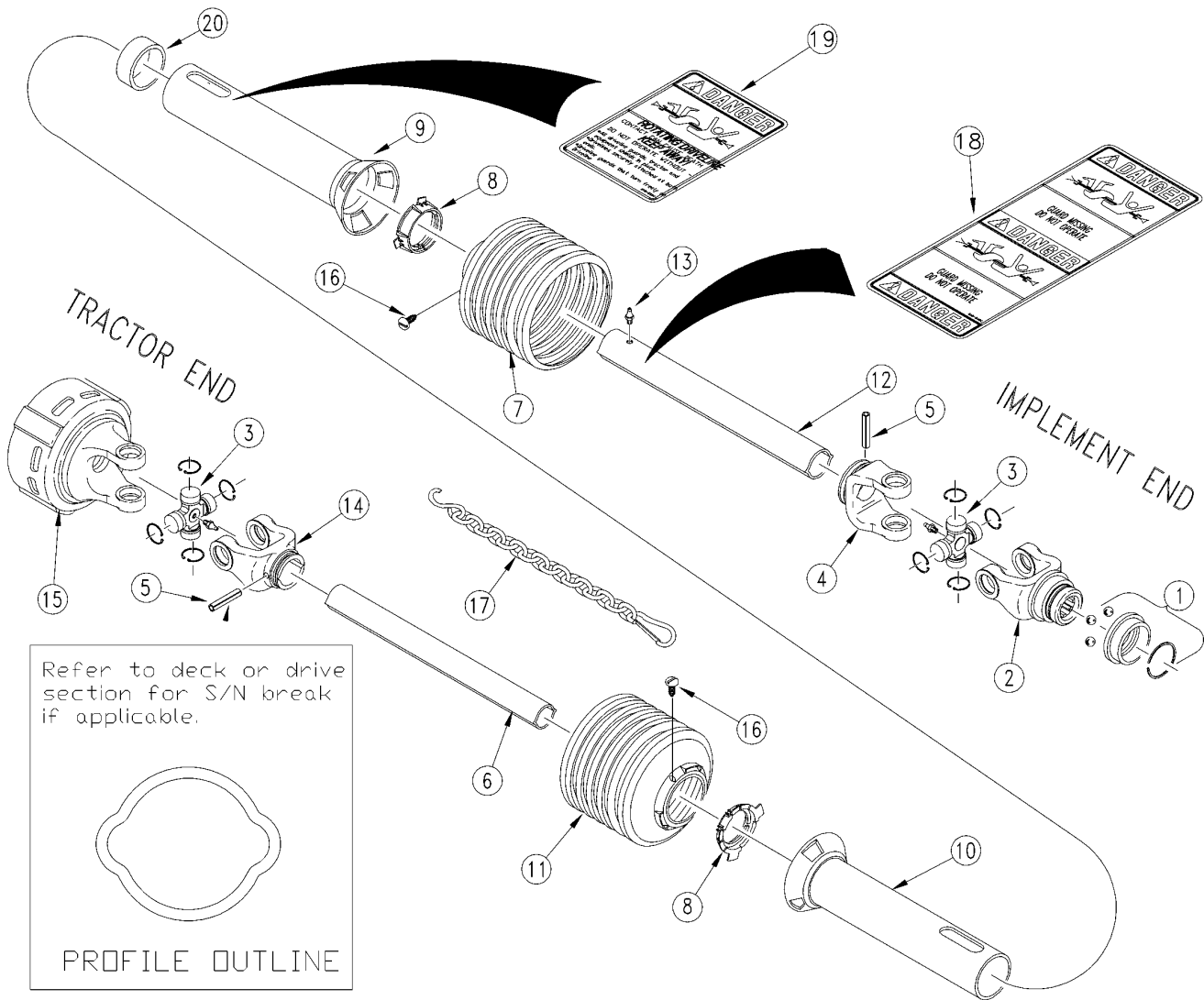
PROFILE OUTLINE

**Driveline Wing (826-096C) (S/N 82428 to 115260)****Applies to RCFM45180**

Ref	Part No.	Part Description	Comments	Revision
	dwg11620	Drawing Image Number		
	826-096C	RPBY 826-116C		
1.	638248006	BP TORQUE LIMITER		
2.	41205	BP CROSS JOURNAL ASSY		
3.	338020000	BP SNAP RING		
4.	348004000	BP GREASE ZERK		
5.	204056861	BP INNER TUBE YOKE		
6.	341053000	BP ROLL PIN		
7.	255050006	BP INNER BEARING		
8.	237005311	BP SAFETY TUBE		
9.	517050099	BP CONE WITH COLLAR		
10.	270161290	BP INNER TB SIZE 6X1290 MM HT		Rev. 3
10.	270111290	BP CRDN TB-INR	(RPBY 270161290)	Rev 2; Use up stock
10.	244111150	BP CARDAN TUBE	(RPBY 270111290)	Rev 1; Use up stock
11.	252000001	BP SAFETY CHAIN		
12.	517050098	BP CONE WITH COLLAR		
13.	236631220	BP SAFETY TUBE		
14.	255050005	BP OUTER BEARING		
15.	204056860	BP OUTER TUBE YOKE		
16.	572050351	BP YOKE		
17.	403000001	BP COMPLETE PUSH BUTTON		
18.	240003051	BP COMPLETE SLEEVE		
19.	259006804	BP RING NUT		
20.	341002000	BP ROLL PIN		
21.	399143000	BP DECAL - SHIELD MISSING		
22.	399141000	BP DECAL - ENTANGLEMENT		
23.	224701283	BP CARDAN TUBE		

**Driveline Wing (826-116C) (S/N 115261+)**

Applies to RCFM45180



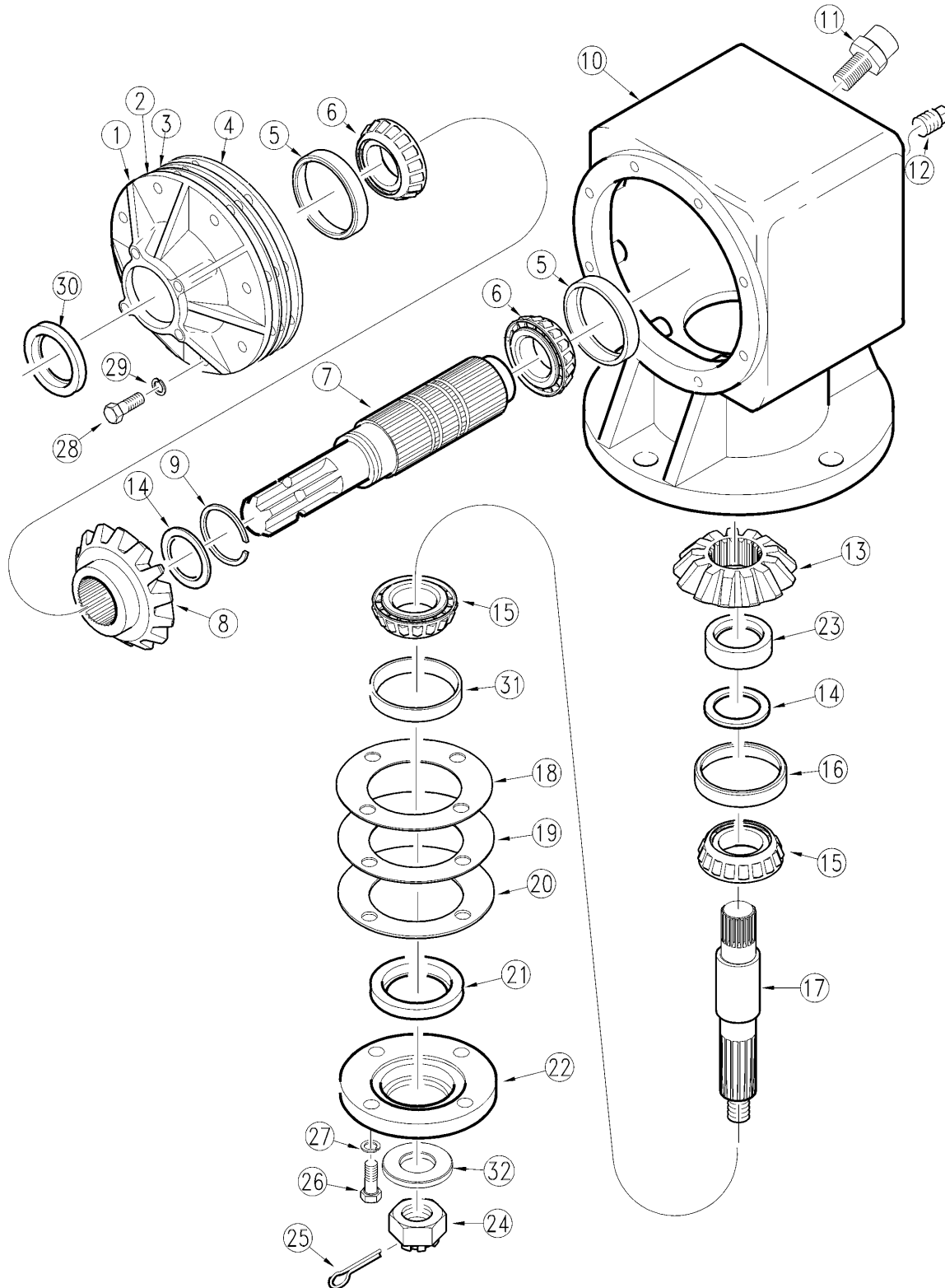


**Driveline Wing (826-116C) (S/N 115261+)****Applies to RCFM45180**

<b>Ref</b>	<b>Part No.</b>	<b>Part Description</b>	<b>Comments</b>	<b>Revision</b>
	dwg12381	Drawing Image Number		
	826-116C	PTO 2400 X 49.61 W/CLUTCH		
1.	381908	WS QUICK DISCONNECT KIT		
2.	380907	WS YOKE 1 3/8-6 SPL AS		
3.	312410	WS CROSS BEARING KIT		
4.	019519	WS INBOARD YOKE		
5.	020617	WS SPRING PIN 10 X 20		
6.	315892	WS INNER PROFILE 1B 2400		
7.	377336	WS SHIELD CONE 6 RIB		
8.	087276	WS BEARING RING - SC25		
9.	383052	WS INNER SHIELD TUBE RND		
10.	384348	WS OUTER SHIELD TUBE OVAL		
11.	377436	WS SHIELD CONE - 6 RIB		
12.	384202	WS PROFILE & SLEEVE W.A.1B/2AL		
13.	380371	WS ZERK		
14.	019518	WS INBOARD YOKE		
15.	333919	WS K92/4 CLUTCH 1200 NM 2400		
16.	365305	WALTERSCHEID SCREW		
17.	044321	WALTERSCHEID SAFETY CHAIN		
18.	818-540C	DECAL DANGER GUARD MISS PTO		
19.	818-552C	DECAL DANGER PTO DRIVELINE		
20.	355155	WS SUPPORT BEARING		

### Gearbox Center Deck 1000 RPM (826-060C) OMNI

Applies to RCFM45180



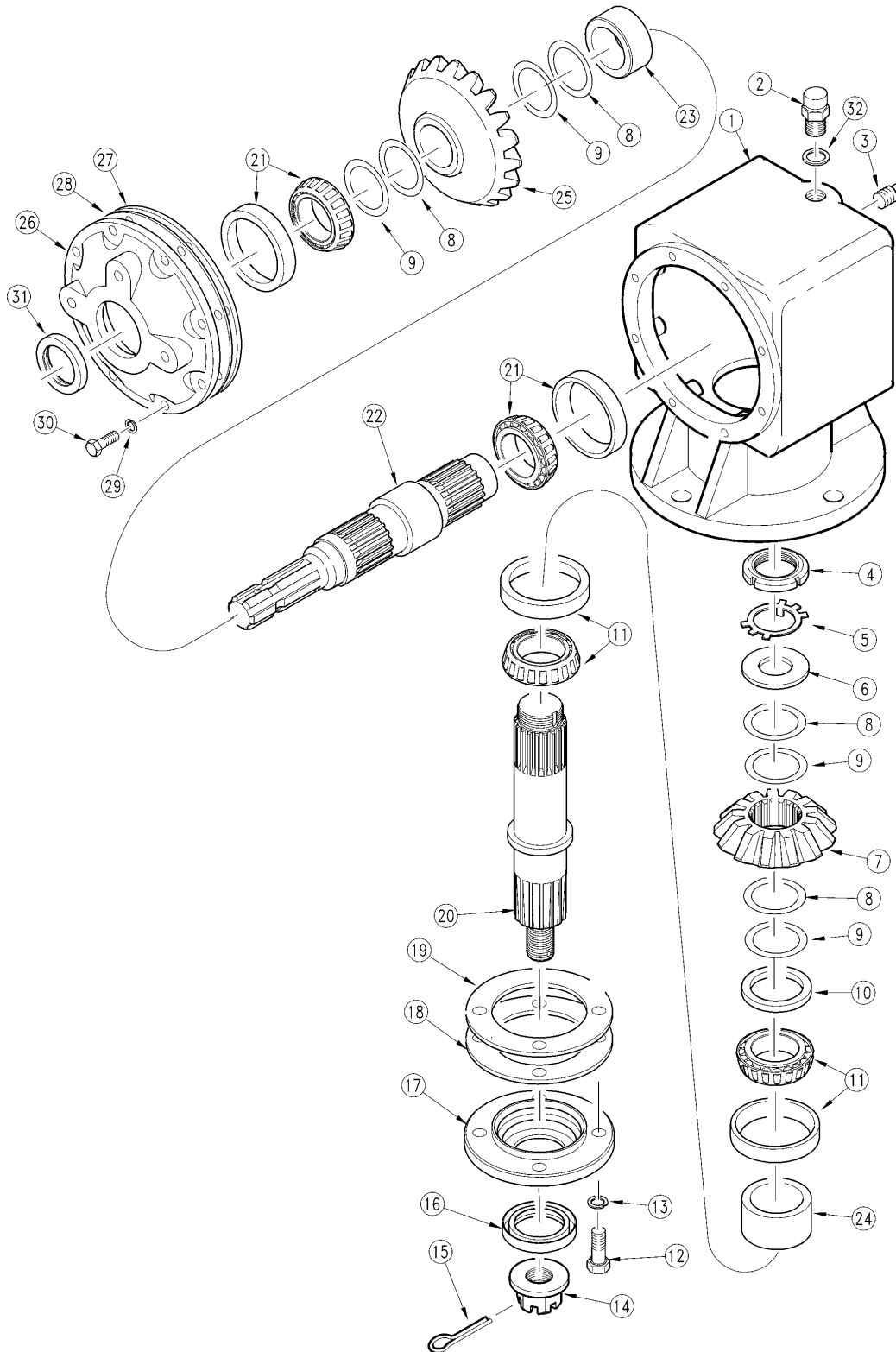
15739

***Gearbox Center Deck 1000 RPM (826-060C) OMNI*****Applies to RCFM45180**

<b>Ref</b>	<b>Part No.</b>	<b>Part Description</b>	<b>Comments</b>	<b>Revision</b>
	dwg15739	Drawing Image Number		
	826-060C	GEARBOX RC71SS 1.21:1 REDUC		
1.	020162	OMNI INPUT CAP	Revision 2 is not interchangeable w/revision 1	
1.	020006	OMNI INPUT CAP	1st Revision	
2.	070142	OMNI GASKET 0.10MMI		
3.	070141	OMNI GASKET 0.15MM		
4.	070140	OMNI GASKET 0.30MM		
5.	050013	OMNI BEARING CUP - LM 603014		
6.	050012	OMNI BEARING CONE -LM603049		
7.	040135	OMNI INPUT SHAFT		
8.	030041	INPUT PINION - 14 T.,		
9.	200003	OMNI RETAINING RING		
10.	010160	OMNI HOUSING RC71SS)	Revision 3 is not interchangeable with revision 2	
10.	010112	OMNI HOUSING)	Revision 2 is not interchangeable w/revision 1	
10.	010059	OMNI HOUSING) 1st Revision		
11.	140033	OMNI PLUG VENT 1/2"		
12.	140017	OMNI PLUG PIPE SQ HEAD 1/8"		
13.	030040	OUTPUT GEAR - 17 T.,		
14.	090073	OMNI SHIM .25		
15.	050008	OMNI BEARING CONE - 368		
16.	050014	BEARING CUP - 362A, OMNI)	Revision 2 is not interchangeable w/revision 1	
16.	050015	BEARING CUP - 362, OMNI)	1st Revision	
17.	040112	OUTPUT SHAFT, OMNI		
18.	070145	OMNI GASKET 0.10MM		
19.	070144	OMNI GASKET 0.15MM		
20.	070143	OMNI GASKET 0.30MM		
21.	060004	OMNI OUTPUT SEAL		
22.	020005	OMNI OUTPUT CAP		
23.	090015	SPACER, OMNI		
24.	803-079C	NUT HEX SLOTTED 1-14		
25.	805-017C	PIN COTTER 3/16 X 1 3/4 PLT		
26.	802-091C	HHCS 1/2-13X1 1/2 GR5		
27.	804-015C	WASHER LOCK SPRING 1/2 PLT		
28.	802-079C	HHCS 3/8-16X1 1/4 GR5		
29.	804-013C	WASHER LOCK SPRING 3/8 PLT		
30.	060005	INPUT SEAL, OMNI		
31.	050015	BEARING CUP - 362A, OMNI		
32.	804-070C	FLAT WASHER 1 SPECIAL		

# Gearbox Center Deck 1000 RPM (826-074C) ITG

Applies to RCFM45180



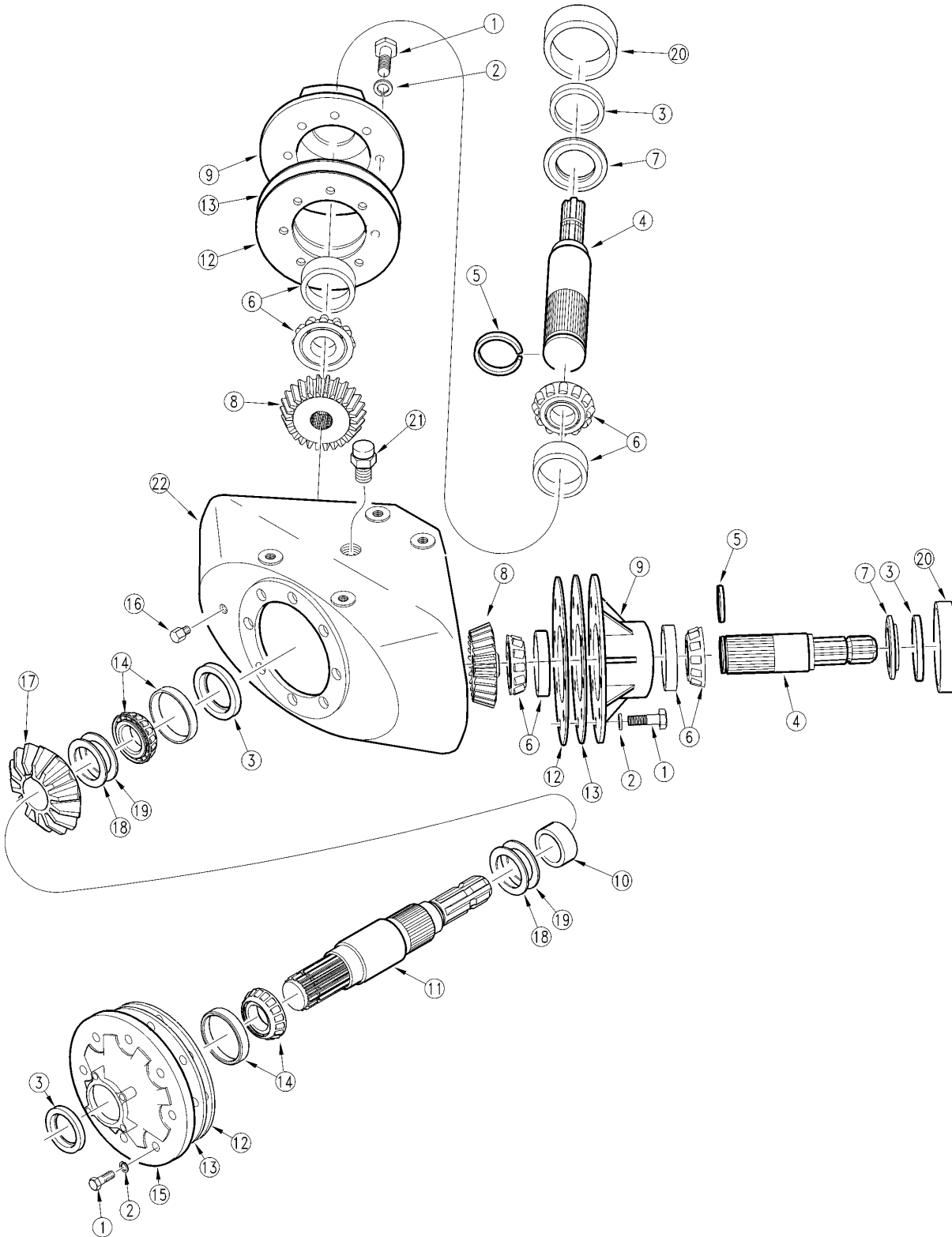
26945

**Gearbox Center Deck 1000 RPM (826-074C) ITG****Applies to RCFM45180**

Ref	Part No.	Part Description	Comments	Revision
	dwg26945	Drawing Image Number		
	826-074C	RPBY 826-060C		
1.	18-001	ITG HOUSING		
2.	09-011	ITG M18 PIPE PLUG VENTED		
2.	09-008	ITG 1/2-14NPT PRES-RELIEF PLUG		
3.	09-012	ITG M18 X 1.5P PLUG (NON-VENT)		
3.	09-005	ITG 1/8-27 PIPE PLUG		
4.	11-003	ITG BEARING ADJUSTING NUT		
4.	11-012	ITG BEARING ADJ. NUT		
5.	07-004	ITG BEARING NUT LOCKWASHER	Not used with 11-012	
6.	07-006	ITG FLAT WASHER	Not used with 11-012	
7.	03-007	ITG 17 TOOTH OUTPUT GEAR		
8.	17-003	ITG GEAR ADJUSTING SHIM 0.50		
9.	17-002	ITG GEAR ADJUSTING SHIM 0.30		
10.	10-016	ITG GEAR MOUNTING SPACER		
11.	04-011	ITG BEARING ASSEMBLY		
12.	06-002	ITG M12 X 1.75 X 38 CAP SCREW		
13.	07-002	ITG M12 LOCKWASHER		
14.	11-008	ITG 1-14 FLANGED HEX NUT		
15.	805-017C	PIN COTTER 3/16 X 1 3/4 PLT		
16.	05-008	ITG OUTPUT SHAFT OIL SEAL		
17.	20-002	ITG OUTPUT CAP		
18.	08-002	ITG OUTPUT CAP GASKET 0.25MM		
19.	08-001	ITG OUTPUT CAP GASKET 0.10MM		
20.	02-004	ITG STD 75 OUTPUT SHAFT		
21.	04-017	ITG BEARING ASSEMBLY		
22.	02-002	ITG INPUT SHAFT		
23.	11-001	ITG M55 X 1.5 ADJUSTING NUT		
24.	10-003	ITG OUTPUT BEARING SPACER		
25.	03-006	ITG INPUT GEAR 14 TOOTH		
26.	20-001	ITG INPUT CAP		
27.	08-007	ITG INPUT CAP GASKET 0.25MM		
28.	08-006	ITG INPUT CAP GASKET 0.10MM		
29.	07-001	ITG M10 LOCKWASHER		
30.	06-003	ITG M10 X 1.5 X 30 CAP SCREW		
31.	05-007	ITG INPUT SHAFT OIL SEAL		
32.	07-022	ITG SEALING WASHER		

**Gearbox Divider 1000 RPM (826-072C) ITG (S/N 113823-)**

Applies to RCFM45180



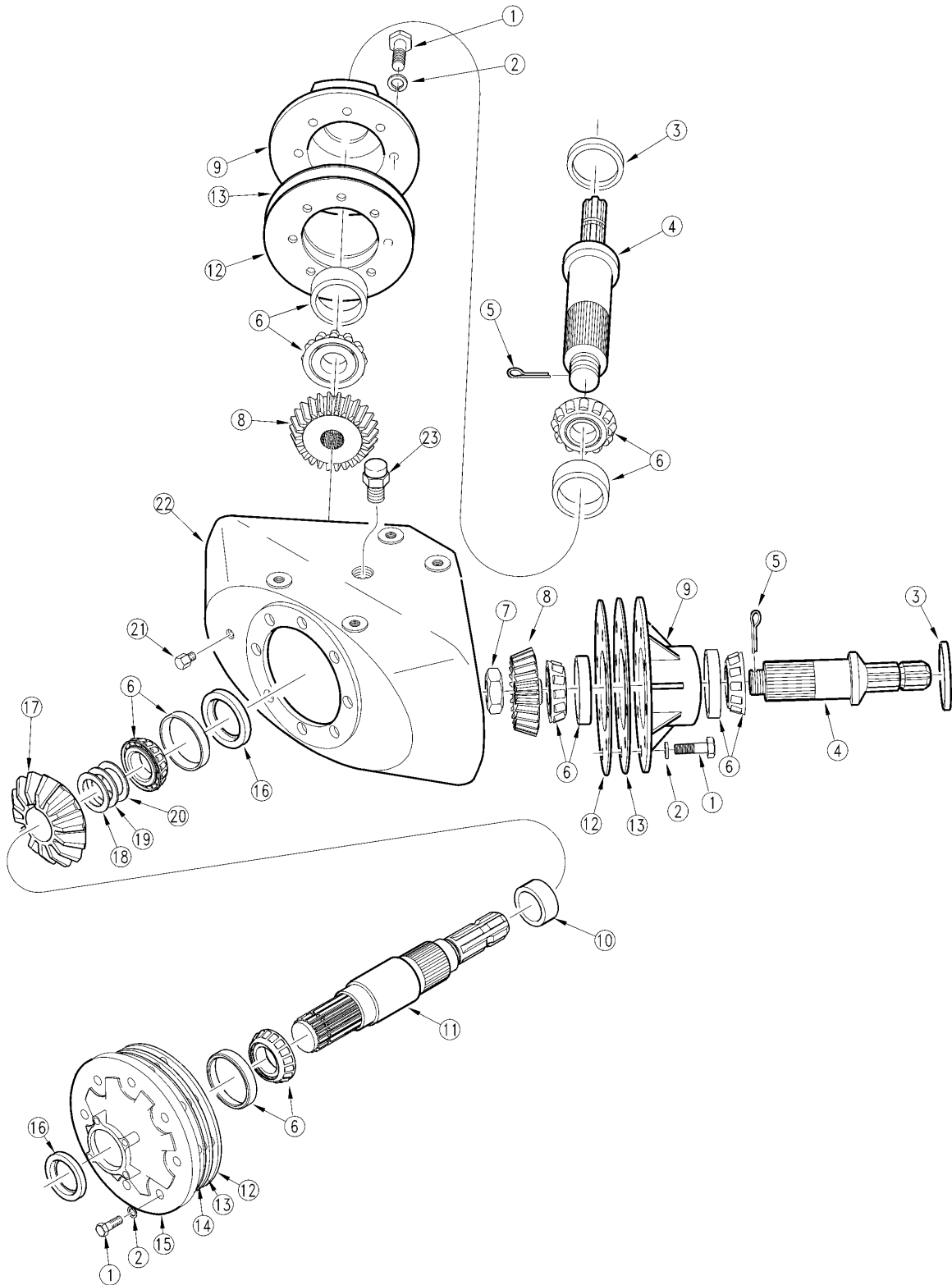
26949

***Gearbox Divider 1000 RPM (826-072C) ITG (S/N 113823-)*****Applies to RCFM45180**

<b>Ref</b>	<b>Part No.</b>	<b>Part Description</b>	<b>Comments</b>	<b>Revision</b>
	dwg26949	Drawing Image Number		
	826-072C	RPBY 826-253C		
1.	06-003	ITG M10 X 1.5 X 30 CAP SCREW		
2.	07-001	ITG M10 LOCKWASHER		
3.	05-007	ITG INPUT SHAFT OIL SEAL		
4.	02-014	ITG HORIZONTAL OUTPUT SHAFT		
5.	21-001	ITG RETAINING RING		
6.	04-011	ITG BEARING ASSEMBLY		
7.	11-001	ITG M55 X 1.5 ADJUSTING NUT		
8.	03-021	ITG GEAR 26 TOOTH		
9.	20-009	ITG HORIZONTAL HUB CAP		
10.	10-015	ITG INPUT SHAFT SPACER		
11.	02-032	ITG INPUT SHAFT		Rev. 2
11.	02-013	RPBY 02-032		Rev 1; Use up stock
12.	08-006	ITG INPUT CAP GASKET 0.10MM	Varies	
13.	08-007	ITG INPUT CAP GASKET 0.25MM	Varies	
14.	04-017	ITG BEARING ASSEMBLY		
15.	20-001	ITG INPUT CAP		
16.	09-005	ITG 1/8-27 PIPE PLUG		
17.	03-020	ITG GEAR 20 TOOTH		
18.	17-002	ITG GEAR ADJUSTING SHIM 0.30	Varies	
19.	17-003	ITG GEAR ADJUSTING SHIM 0.50	Varies	
20.	19-003	ITG SEAL ADAPTER		
21.	09-008	ITG 1/2-14NPT PRES-RELIEF PLUG		
22.	18-014	ITG HOUSING		

**Gearbox Divider 1000 RPM (826-072C) ITG (S/N 113824+)**

Applies to RCFM45180



26946

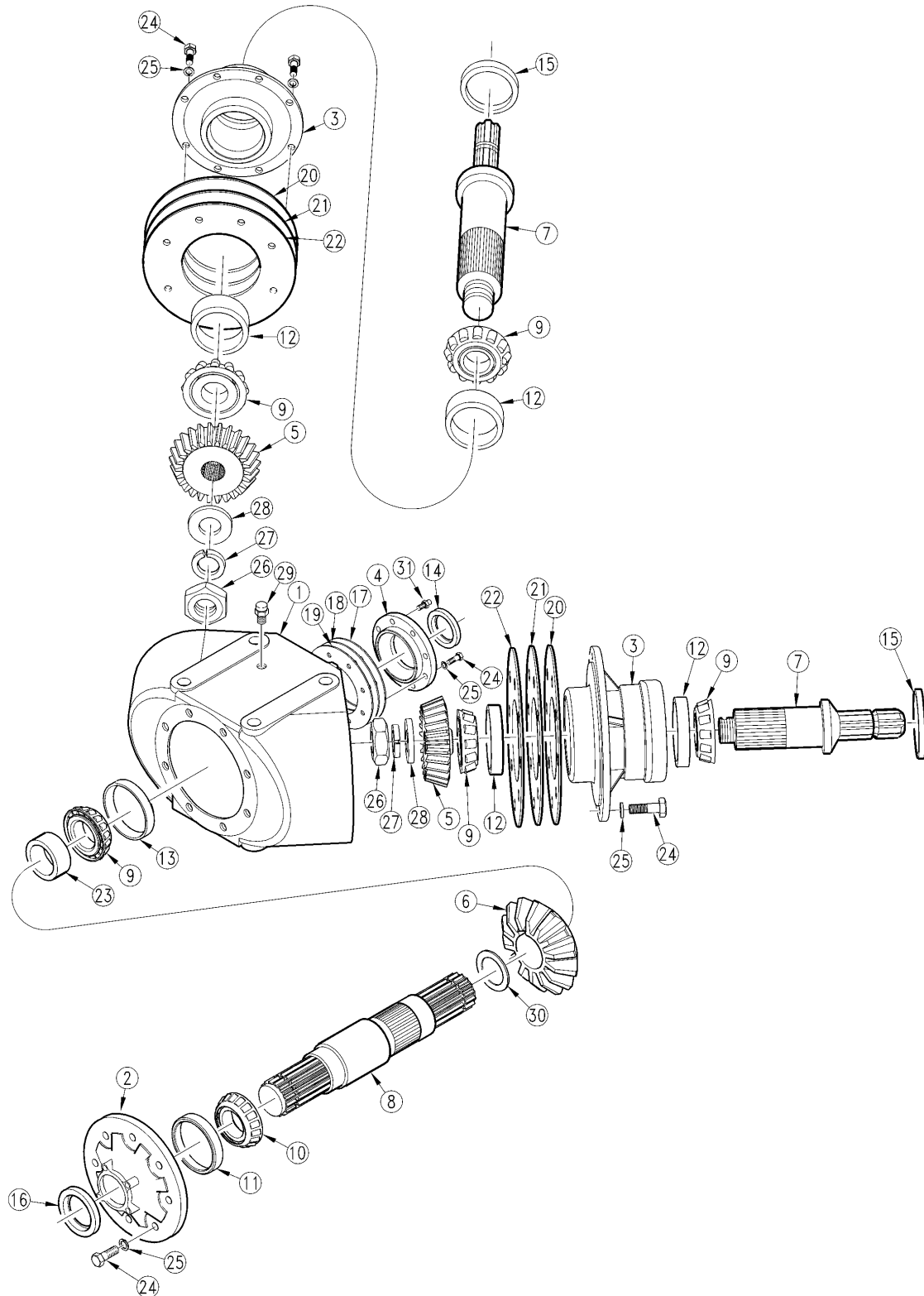


***Gearbox Divider 1000 RPM (826-072C) ITG (S/N 113824+)*****Applies to RCFM45180**

<b>Ref</b>	<b>Part No.</b>	<b>Part Description</b>	<b>Comments</b>	<b>Revision</b>
	dwg26947	Drawing Image Number		
	826-072C	RPBY 826-253C		
1.	06-003	ITG M10 X 1.5 X 30 CAP SCREW		
2.	07-001	ITG M10 LOCKWASHER		
3.	05-012B	ITG OUTPUT SEAL 58X95X10 THK	Measurement is required before ordering	
3.	05-012A	ITG OUTPUT SEAL 60X95X10 THK	Measurement is required before ordering	
4.	02-017	ITG HORIZONTAL OUTPUT SHAFT		
5.	12-008	ITG COTTER PIN		
6.	04-011	ITG BEARING ASSEMBLY		
7.	11-012	ITG BEARING ADJ. NUT		
8.	03-039	ITG 26 TOOTH GEAR		
9.	20-018	ITG HORIZONTAL HUB CAP		
10.	10-001	ITG SPACER		
11.	02-005	ITG INPUT SHAFT SPLITTER BOX		
12.	08-006	ITG INPUT CAP GASKET 0.10MM	Varies	
13.	08-007	ITG INPUT CAP GASKET 0.25MM	Varies	
14.	08-008	ITG IN & OUT CAP GASKET 0.45MM	Varies	
15.	20-019	ITG INPUT CAP SPLITTER BOX		
16.	05-007	ITG INPUT SHAFT OIL SEAL		
17.	03-038	ITG 20 TOOTH GEAR		
18.	17-002	ITG GEAR ADJUSTING SHIM 0.30	Varies	
19.	17-001	ITG SHIM 0.4 (Varies)		
20.	17-003	ITG GEAR ADJUSTING SHIM 0.50	Varies	
21.	09-012	ITG M18 PIPE PLUG		
22.	18-022	ITG SPLITTER BOX HOUSING		
23.	09-011	ITG M18 PIPE PLUG VENTED		

### **Gearbox Divider 1000 RPM (826-253C) OMNI**

**Applies to RCFM45180**



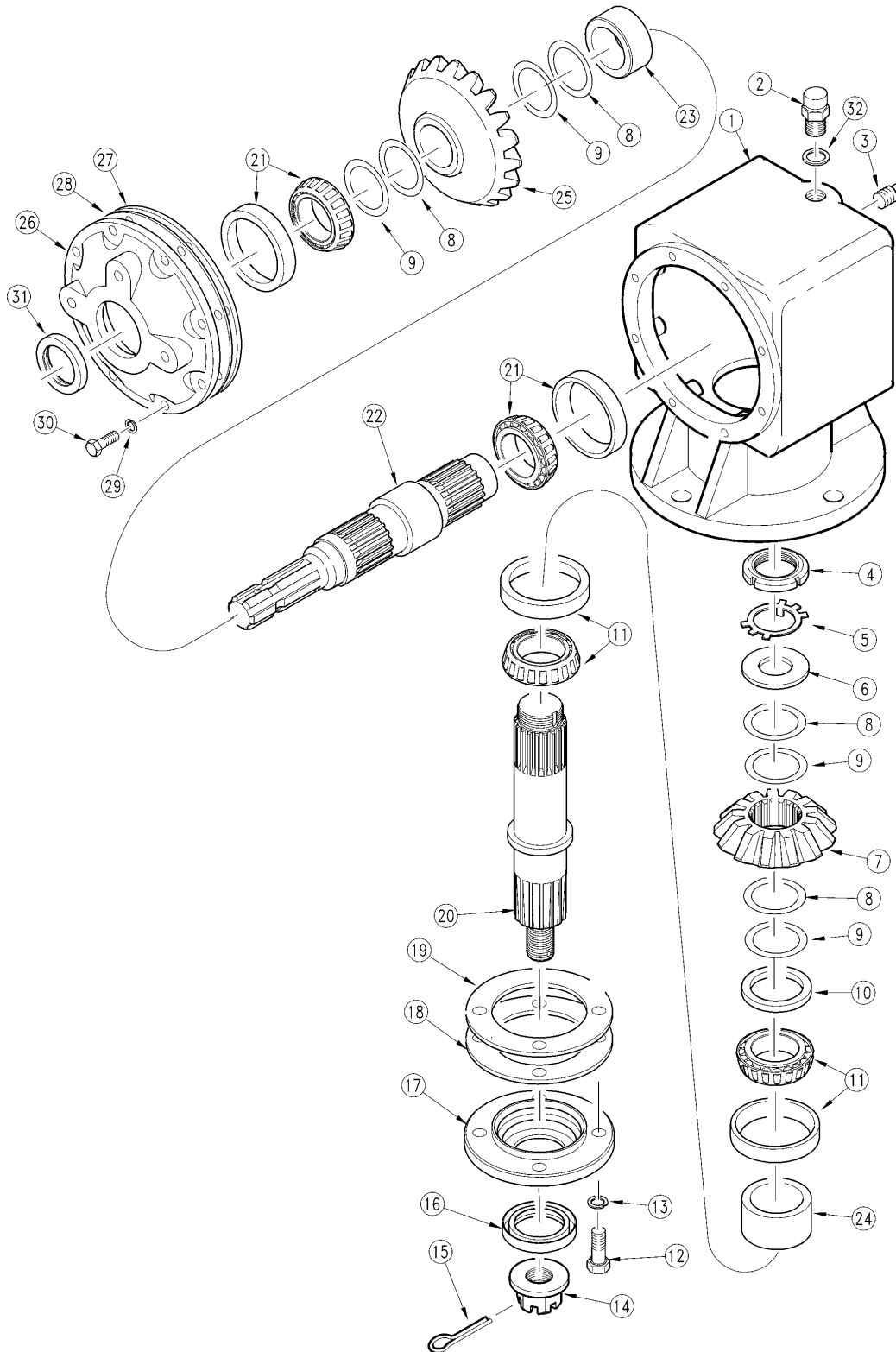
26954

***Gearbox Divider 1000 RPM (826-253C) OMNI*****Applies to RCFM45180**

<b>Ref</b>	<b>Part No.</b>	<b>Part Description</b>	<b>Comments</b>	<b>Revision</b>
	dwg26954	Drawing Image Number		
	826-253C	DIV.BOX RCD101 1.75-20 1.3:1		
1.	010063	OMNI HOUSING RCD101HD		
2.	020162	OMNI INPUT CAP		
3.	020061	OMNI CANTILEVERED OUTPUT CAP		
4.	020110	OMNI OUTPUT CAP		
5.	030194	OMNI GEAR, 26T		
6.	030193	OMNI PINION, 20T		
7.	040074	OMNI OUTPUT SHAFT 1.36-6A SHRT		
8.	040123	OMNI INPUT SHAFT		
9.	050008	OMNI BEARING CONE - 368		
10.	050012	OMNI BEARING CONE -LM603049		
11.	050013	OMNI BEARING CUP - LM 603014		
12.	050014	BEARING CUP - 362A, OMNI		
13.	050015	BEARING CUP - 362, OMNI		
14.	060005	INPUT SEAL, OMNI		
15.	060020	OMNI OUTPUT SEAL		
16.	060051	OMNI THRU SHAFT SEAL		
17.	070057	OMNI GASKET, 0.30MM		
18.	070058	OMNI GASKET, 0.15MM		
19.	070151	OMNI INPUT GASKET, 0.10MM		
20.	070140	OMNI GASKET 0.30MM		
21.	070141	OMNI GASKET 0.15MM		
22.	070142	OMNI GASKET 0.10MM		
23.	090003	SPACER, OMNI		
24.	802-079C	HHCS 3/8-16X1 1/4 GR5		
25.	804-013C	WASHER LOCK SPRING 3/8 PLT		
26.	120025	OMNI LOCKNUT, TN-06		
27.	130030	OMNI LOCKWASHER, TW-06		
28.	130021	OMNI FLAT WASHER		
29.	140033	OMNI PLUG VENT 1/2-14 NPTF		
30.	200003	OMNI RETAINING RING		
31.	140017	OMNI PLUG PIPE SQ HD1/8-27NPTF		

# Gearbox Left Deck 1000 RPM (826-073C) ITG

Applies to RCFM45180



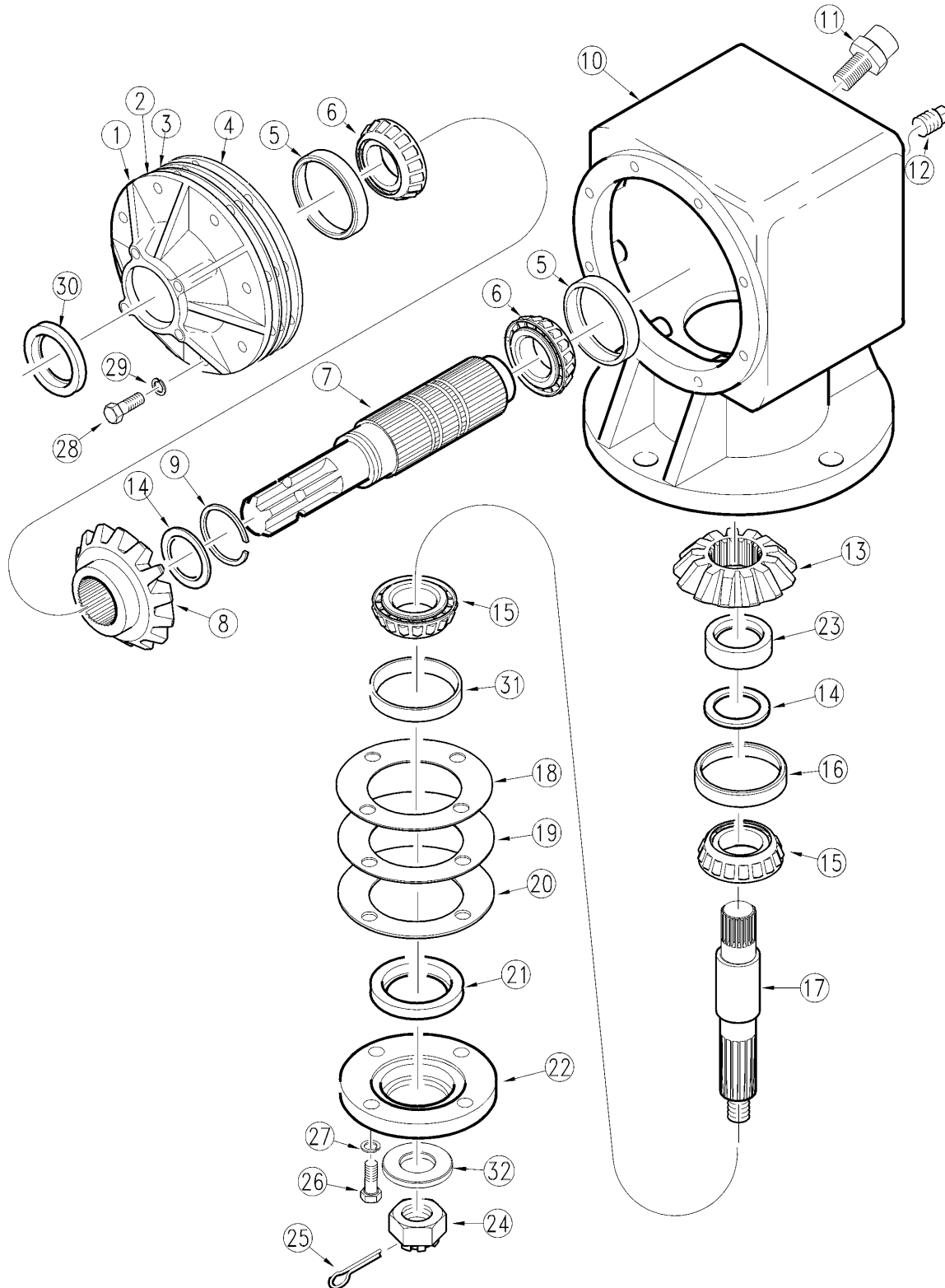
26944

**Gearbox Left Deck 1000 RPM (826-073C) ITG****Applies to RCFM45180**

Ref	Part No.	Part Description	Comments	Revision
	dwg26944	Drawing Image Number		
	826-073C	RPBY 826-038C		
1.	18-001	ITG HOUSING		
2.	09-011	ITG M18 PIPE PLUG VENTED		
2.	09-008	ITG 1/2-14NPT PRES-RELIEF PLUG		
3.	09-012	ITG M18 X 1.5P PLUG (NON-VENT)		
3.	09-005	ITG 1/8-27 PIPE PLUG		
4.	11-003	ITG BEARING ADJUSTING NUT		
4.	11-012	ITG BEARING ADJ. NUT		
5.	07-004	ITG BEARING NUT LOCKWASHER	Not used with 11-012	
6.	07-006	ITG FLAT WASHER	Not used with 11-012	
7.	03-006	ITG INPUT GEAR 14 TOOTH		
8.	17-003	ITG SHIM 0.5		
9.	17-002	ITG SHIM 0.3		
10.	10-016	ITG GEAR MOUNTING SPACER		
11.	04-011	ITG BEARING ASSEMBLY		
12.	06-002	ITG M12 X 1.75 X 38 CAP SCREW		
13.	07-002	ITG M12 LOCKWASHER		
14.	11-008	ITG 1-14 FLANGED HEX NUT		
15.	805-017C	PIN COTTER 3/16 X 1 3/4 PLT		
16.	05-008	ITG OUTPUT SHAFT OIL SEAL		
17.	20-002	ITG OUTPUT CAP		
18.	08-002	ITG OUTPUT CAP GASKET 0.25		
19.	08-001	ITG OUTPUT CAP GASKET 0.10		
20.	02-004	ITG STD 75 OUTPUT SHAFT		
21.	04-017	ITG BEARING ASSEMBLY		
22.	02-002	ITG INPUT SHAFT		
23.	11-001	ITG M55 X 1.5 ADJUSTING NUT		
24.	10-003	ITG OUTPUT BEARING SPACER		
25.	03-007	ITG 17 TOOTH OUTPUT GEAR		
26.	20-001	ITG INPUT CAP		
27.	08-007	ITG INPUT CAP GASKET 0.25MM		
28.	08-006	ITG INPUT CAP GASKET 0.10MM		
29.	07-001	ITG M10 LOCKWASHER		
30.	06-003	ITG M10 X 1.5 X 30 CAP SCREW		
31.	05-007	ITG INPUT SHAFT OIL SEAL		
32.	07-022	ITG SEALING WASHER		

### Gearbox Left Deck 1000 RPM (826-038C) OMNI

Applies to RCFM45180



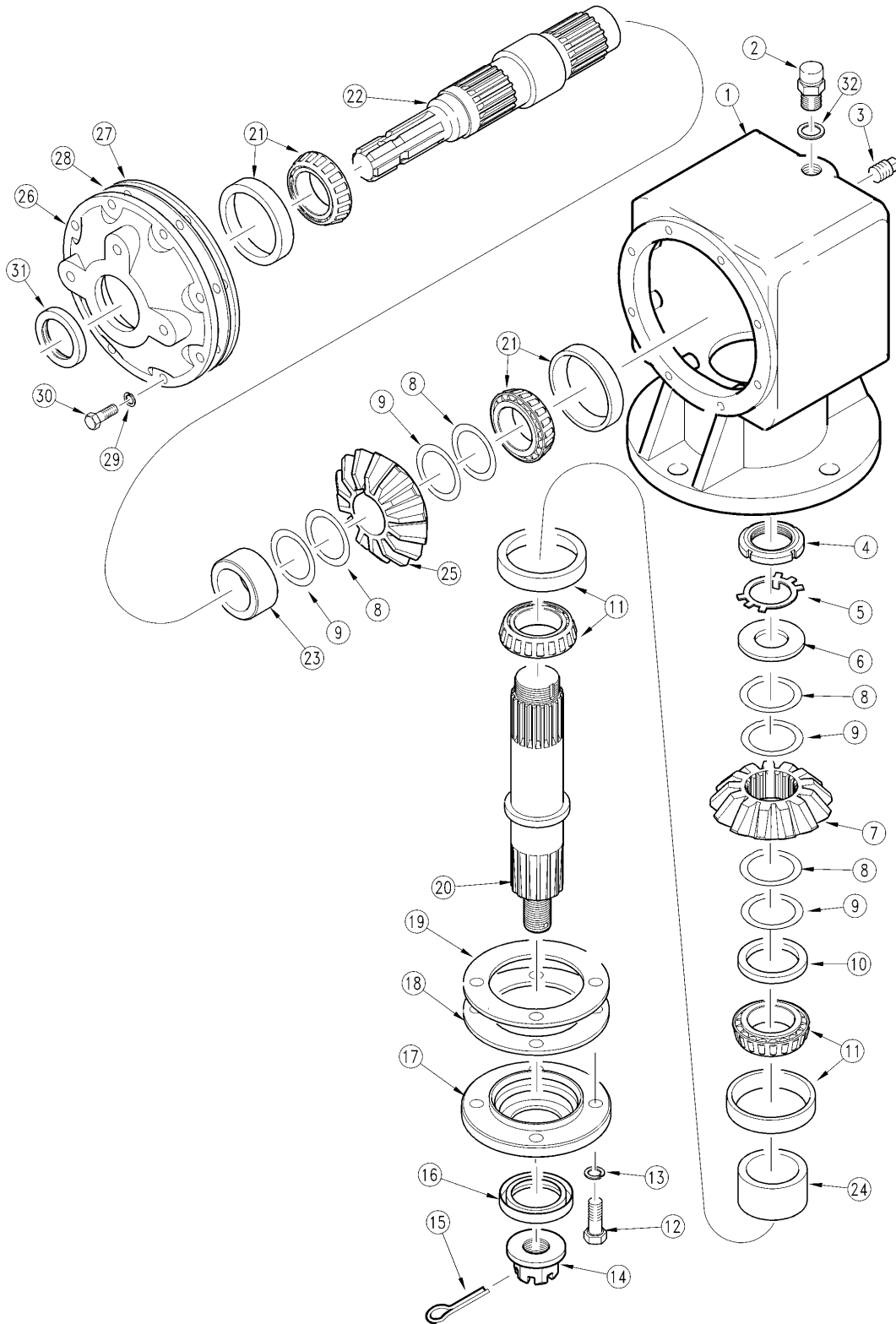
15739

***Gearbox Left Deck 1000 RPM (826-038C) OMNI*****Applies to RCFM45180**

<b>Ref</b>	<b>Part No.</b>	<b>Part Description</b>	<b>Comments</b>	<b>Revision</b>
	dwg15739	Drawing Image Number		
	826-038C	GEARBOX RC71SS 1:1.21 INCREASE		
1.	020162	OMNI INPUT CAP		
2.	070142	OMNI GASKET 0.10MM		
3.	070141	OMNI GASKET 0.15MM		
4.	070140	OMNI GASKET 0.30MM		
5.	050013	OMNI BEARING CUP - LM 603014		
6.	050012	OMNI BEARING CONE -LM603049		
7.	040135	OMNI INPUT SHAFT		
8.	030040	INPUT GEAR - 17 T., OMNI		
9.	200003	OMNI RETAINING RING		
10.	010160	OMNI HOUSING RC71SS		
11.	140033	OMNI PLUG VENT 1/2-14 NPTF		
12.	140017	OMNI PLUG PIPE SQ HD1/8-27NPTF		
13.	030041	OUTPUT PINION - 14 T., OMNI		
14.	090073	OMNI SHIM .25		
15.	050008	OMNI BEARING CONE - 368		
16.	050014	BEARING CUP - 362A, OMNI		
17.	040112	OUTPUT SHAFT, OMNI		
18.	070145	OMNI GASKET 0.10MM		
19.	070144	OMNI GASKET 0.15MM		
20.	070143	OMNI GASKET 0.30MM		
21.	060004	OMNI OUTPUT SEAL		
22.	020005	OMNI OUTPUT CAP		
23.	090015	SPACER, OMNI		
24.	803-095C	NUT HEX SLOTTED 1-14		
25.	805-017C	PIN COTTER 3/16 X 1 3/4 PLT		
26.	802-091C	HHCS 1/2-13X1 1/2 GR5		
27.	804-015C	WASHER LOCK SPRING 1/2 PLT		
28.	802-079C	HHCS 3/8-16X1 1/4 GR5		
29.	804-013C	WASHER LOCK SPRING 3/8 PLT		
30.	060005	INPUT SEAL, OMNI		
31.	050015	BEARING CUP - 362, OMNI		
32.	804-070C	FLAT WASHER 1 SPECIAL		

**Gearbox Right Deck 1000 RPM (826-075C) ITG**

Applies to RCFM45180



26947

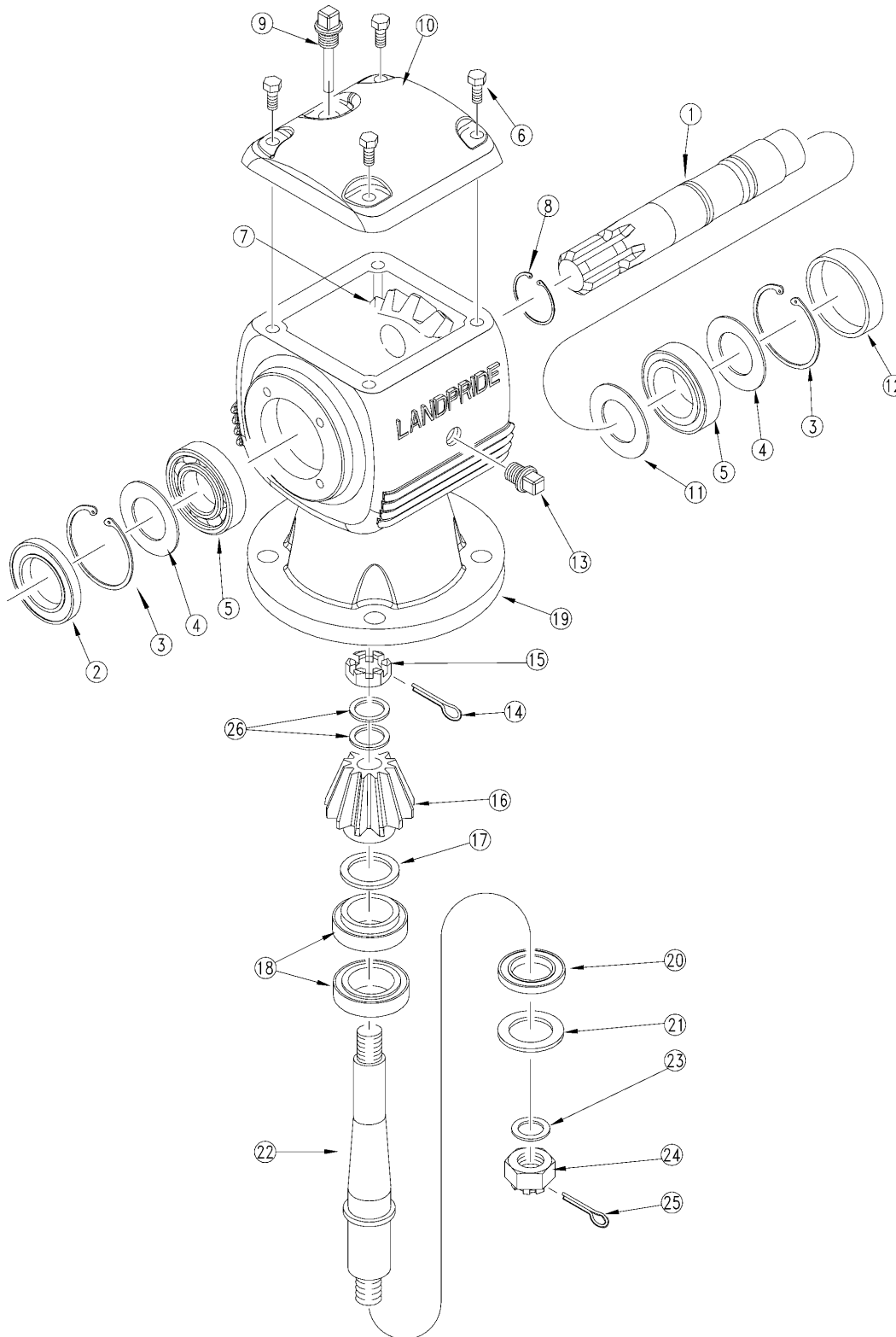


**Gearbox Right Deck 1000 RPM (826-075C) ITG****Applies to RCFM45180**

Ref	Part No.	Part Description	Comments	Revision
	dwg26947	Drawing Image Number		
	826-075C	RPBY 826-254C		
1.	18-001	ITG HOUSING		
2.	09-011	ITG M18 PIPE PLUG VENTED		
2.	09-008	ITG 1/2-14NPT PRES-RELIEF PLUG		
3.	09-012	ITG M18 X 1.5P PLUG (NON-VENT)		
3.	09-005	ITG 1/8-27 PIPE PLUG		
4.	11-003	ITG BEARING ADJUSTING NUT		
4.	11-012	ITG BEARING ADJ. NUT		
5.	07-004	ITG BEARING NUT LOCKWASHER	Not used with 11-012	
6.	07-006	ITG FLAT WASHER	Not used with 11-012	
7.	03-006	ITG INPUT GEAR 14 TOOTH		
8.	17-003	ITG SHIM 0.5		
9.	17-002	ITG SHIM 0.3		
10.	10-016	ITG GEAR MOUNTING SPACER		
11.	04-011	ITG BEARING ASSEMBLY		
12.	06-002	ITG M12 X 1.75 X 38 CAP SCREW		
13.	07-002	ITG M12 LOCKWASHER		
14.	11-008	ITG 1-14 FLANGED HEX NUT		
15.	805-017C	PIN COTTER 3/16 X 1 3/4 PLT		
16.	05-008	ITG OUTPUT SHAFT OIL SEAL		
17.	20-002	ITG OUTPUT CAP		
18.	08-002	ITG OUTPUT CAP GASKET 0.25		
19.	08-001	ITG OUTPUT CAP GASKET 0.10		
20.	02-004	ITG STD 75 OUTPUT SHAFT		
21.	04-017	ITG BEARING ASSEMBLY		
22.	02-002	ITG INPUT SHAFT		
23.	11-001	ITG M55 X 1.5 ADJUSTING NUT		
24.	10-003	ITG OUTPUT BEARING SPACER		
25.	03-007	ITG 17 TOOTH OUTPUT GEAR		
26.	20-001	ITG INPUT CAP		
27.	08-007	ITG INPUT CAP GASKET 0.25MM		
28.	08-006	ITG INPUT CAP GASKET 0.10MM		
29.	07-001	ITG M10 LOCKWASHER		
30.	06-003	ITG M10 X 1.5 X 30 CAP SCREW		
31.	05-007	ITG INPUT SHAFT OIL SEAL		
32.	07-022	ITG SEALING WASHER		

### **Gearbox Right Deck 1000 RPM (826-254C) COMER**

Applies to RCFM45180



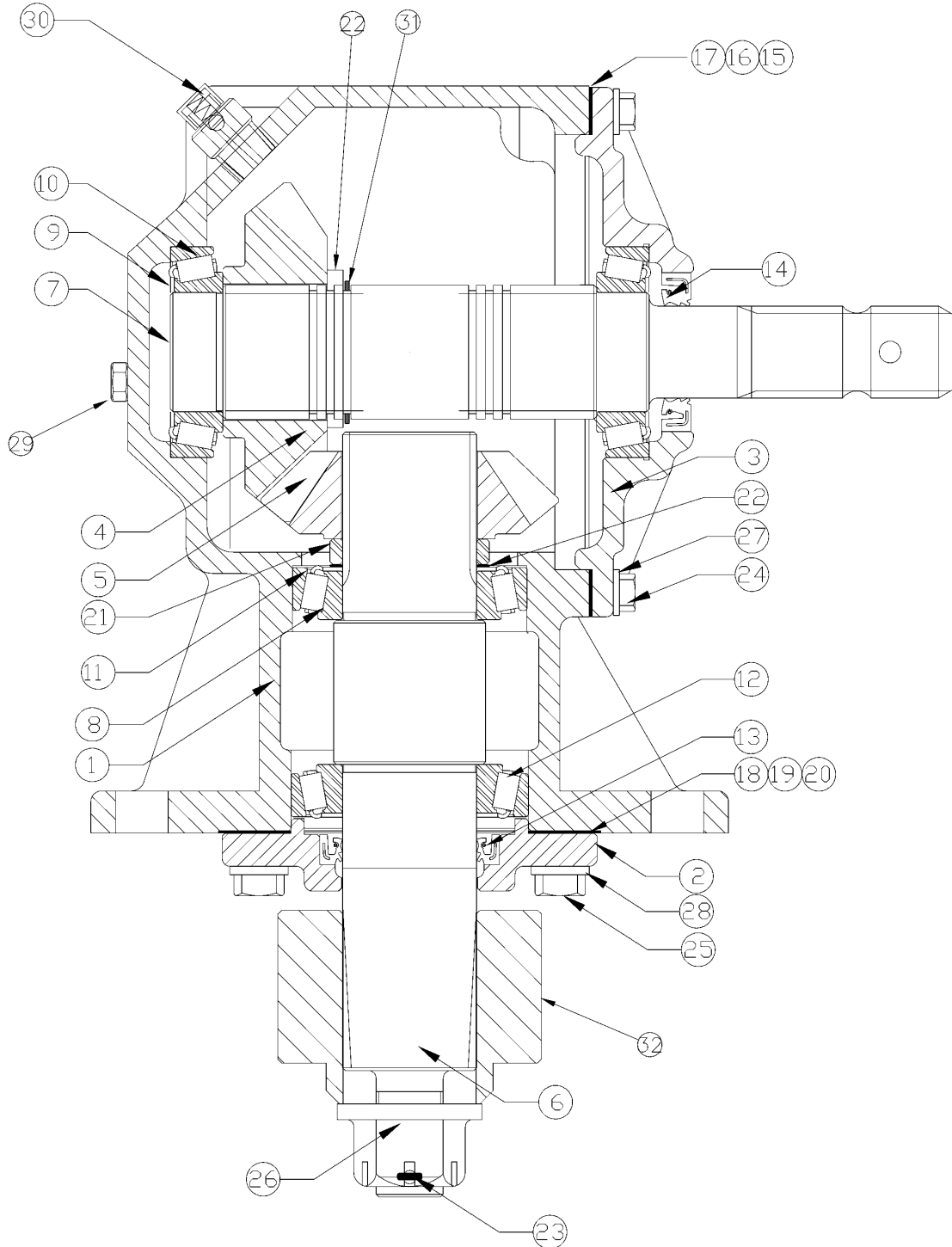
27557

**Gearbox Right Deck 1000 RPM (826-254C) COMER****Applies to RCFM45180**

Ref	Part No.	Part Description	Comments	Revision
	dwg27557	Drawing Image Number		
	826-254C	GBOX REV. 1:1.21 1 3/8-6 (Comer) *		
1.	0.210.2000.00	CO INPUT SHAFT 1.38-6		
2.	8.7.3.00331	CO OIL SEAL 45 X 85 X 10		
3.	8.5.2.00332	CO SNAP RING UNI 7437		
4.	0.709.7500.00	CO SHIM 84.7		
5.	8.0.9.00143	CO BEARING 30209 RTA25		
6.	8.1.1.00501	CO BOLT M8X22 HHB		
7.	0.210.6000.00	CO GEAR CROWN Z22 M6		
8.	8.5.1.00533	CO SNAP RING 50 UNI7435		
9.	826-490C	CO 3/8 GAS OIL VENT LEVEL PG.		
10.	0.210.1300.00	CO COVER		
11.	0.252.7525.00	CO SHIM 45.3X2.5		
12.	0.121.7101.00	CO CAP		
13.	8.6.6.00201	CO PLUG 3/8 GAS		
14.	8.4.7.02265	CO COTTER PIN B 5X60		
15.	0.132.7107.00	CO NUT M40X1.5		
16.	0.210.5000.00	CO PINION Z18 M6		
17.	0.712.7500.00	CO SHIM 50.3X70.3		
18.	04-011	ITG BEARING ASSEMBLY		
18.	8.0.9.00469	REP BY 04-011		
19.	0.210.0300.00	CO CASTING & MACHINE		
20.	8.7.1.01107	CO SEAL (50x90x10)		
21.	0.139.7100.00	CO SEAL RETAINER		
22.	0.210.3000.00	CO OUTPUT SHAFT		
23.	0.139.7101.00	CO BLANK WASHER		
24.	8.2.2.00555	CO NUT, CASTLE M30 X 2		
25.	8.4.7.00146	CO COTTER PIN B6 X 60		
26.	0.285.7510.00	CO SHIM 40.3 X 61.7 X 1		

# Gearbox Right Deck 1000 RPM (826-254C) OMNI

Applies to RCFM45180



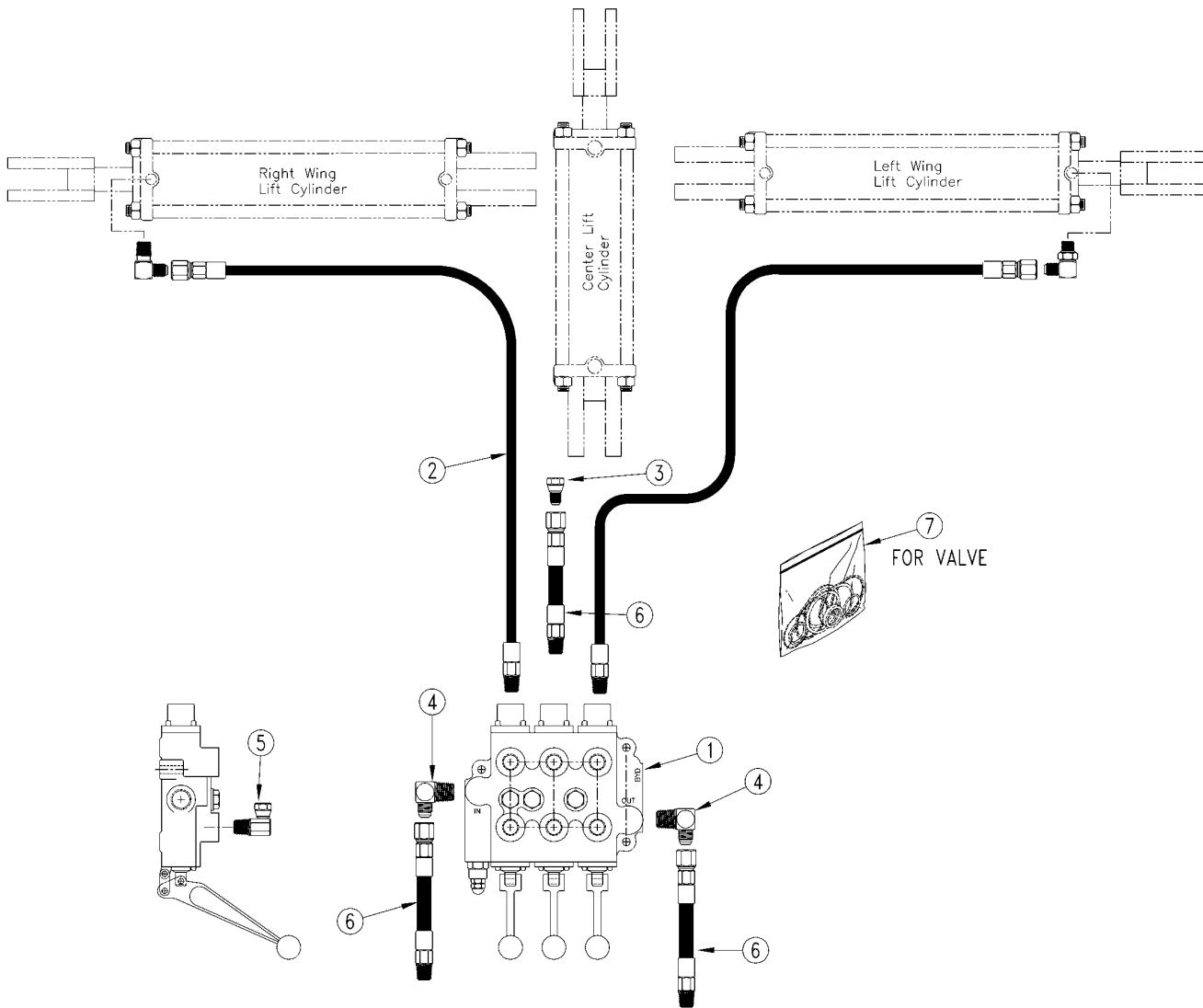
26640

***Gearbox Right Deck 1000 RPM (826-254C) OMNI*****Applies to RCFM45180**

<b>Ref</b>	<b>Part No.</b>	<b>Part Description</b>	<b>Comments</b>	<b>Revision</b>
	dwg26640	Drawing Image Number		
	826-254C	GBOX RC71 REV. 1:1.21 1 3/8-6 *		
1.	10160	OMNI HOUSING RC71SS		
2.	20005	OMNI OUTPUT CAP		
3.	20162	OMNI INPUT CAP		
4.	30040	INPUT GEAR - 17 T., OMNI		
5.	30041	OUTPUT PINION - 14 T., OMNI		
6.	40112	OUTPUT SHAFT, OMNI		
7.	40135	OMNI INPUT SHAFT 1 3/8-6A SPL		
8.	50008	OMNI BRG CONE - 368		
9.	50012	OMNI BRG CONE -LM603049		
10.	50013	OMNI BRG CUP - LM 603014		
11.	50014	BRG CUP - 362A, OMNI		
12.	50015	BRG CUP - 362, OMNI		
13.	60004	OMNI OUTPUT SEAL		
14.	60005	INPUT SEAL, OMNI		
15.	70140	OMNI GASKET 0.30MM		
16.	70141	OMNI GASKET 0.15MM		
17.	70142	OMNI GASKET 0.10MM		
18.	70143	OMNI GASKET 0.30MM		
19.	70144	OMNI GASKET 0.15MM		
20.	70145	OMNI GASKET 0.10MM		
21.	90015	SPACER, OMNI		
22.	90073	OMNI SHIM .025	As Required	
23.	100001	OMNI COTTER PIN 5 X 50		
24.	802-079C	HHCS 3/8-16X1 1/4 GR5		
25.	110002	OMNI SCREW,HEX 1/2-13UNC GR5		
26.	120050	OMNI NUT HEX SLOTTED, 1-14UNC		
27.	130002	OMNI LOCKWASHER		
28.	130003	OMNI LOCKWASHER 1/2" SPLIT TYP		
29.	140017	OMNI PLUG PIPE SQ HD1/8-27NPTF		
30.	826-497C	COMER VENT #8.6.7.00269		
31.	200003	OMNI RETAINING RING		
32.	210001	OMNI BLADE HUB		

# Hydraulic 3-Spool Control Valve Kit

Applies to RCFM45180



## Hydraulic 3-Spool Control Valve Kit

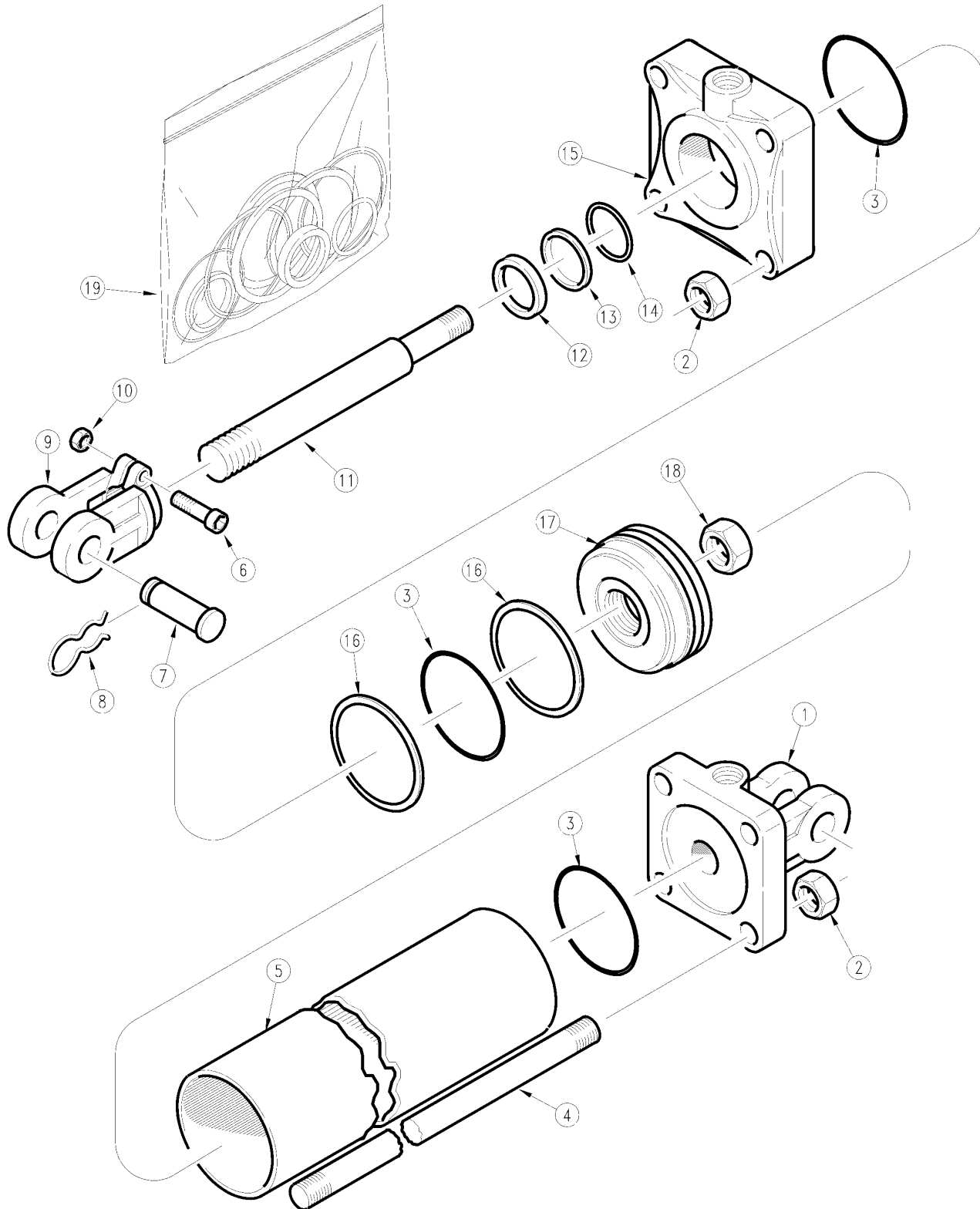
---

### Applies to RCFM45180

Ref	Part No.	Part Description	Comments	Revision
	dwg11196	Drawing Image Number		
	312-315A	RC45180 3-SPOOL VALVE KIT		
1.	810-167C	3-SPOOL DIRECTION CONTROL VALV		
2.	811-358C	HH1/4R1 265 1/2MNPT 9/16FJIC		
3.	811-290C	AD 3/4MJIC 1/2FNPT		
4.	811-359C	EL 3/4MJIC X 3/4MNPT		
5.	811-008C	EL 1/2MNPT 1/2FNPTS		
6.	811-360C	HH3/8R2 60 1/2MNPT 3/4FJIC		
7.	810-402C	CROSS SEAL KIT 2V0010		

# Hydraulic Cylinder (810-150C) Cross

Applies to RCFM45180



11421

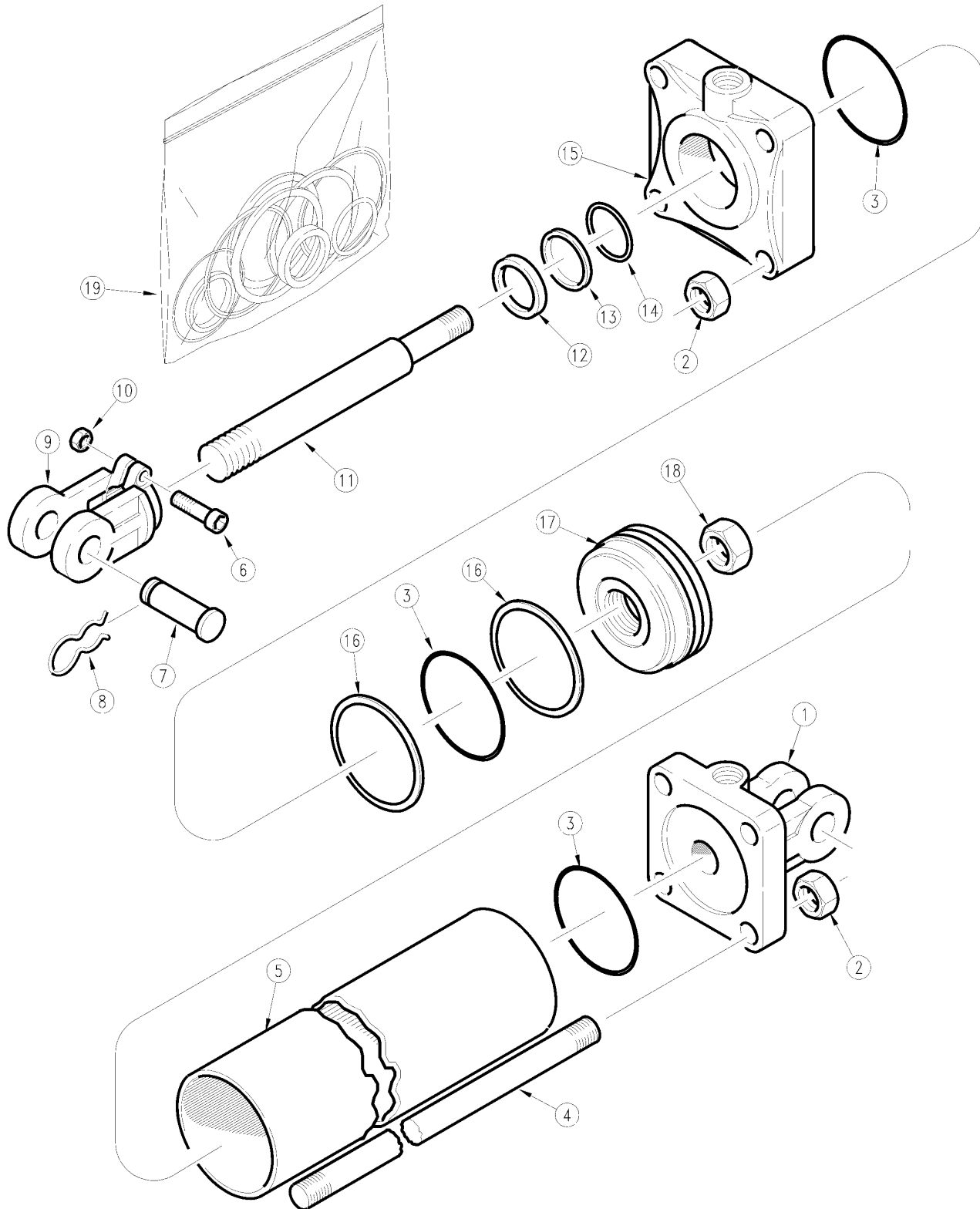


**Hydraulic Cylinder (810-150C) Cross****Applies to RCFM45180**

Ref	Part No.	Part Description	Comments	Revision
	dwg11421	Drawing Image Number		
	810-150C	Hydraulic Cylinder Cross 2 1/2" x 12" x 1/14" Rod		
1.	1D1505-3	Base		
2.	2A0235-6	Nut, Tie Rod		
3.		O-Ring	Only available in Seal Kit (#19)	
4.	2A0578-1675	Tie Rod		
5.	1D0005-1450	Tube		
6.	2A0079-616	Screw, Cap		
7.	1D1551-16275	Pin, Clevis		
8.	2A0308-1	Pin Clip		
9.	1D1003-5	Clevis		
10.	2A0235-6	Nut, Clevis		
11.	1D0206-1675	Rod		
12.		Wiper	Only available in Seal Kit (#19)	
13.		Back Up Rod	Only available in Seal Kit (#19)	
14.		O-Ring	Only available in Seal Kit (#19)	
15.	1D1155-17	Head		
16.		Back Up {Piston}	Only available in Seal Kit (#19)	
17.	1D1401-250	Piston		
18.	2A0246-12	Nut, Piston		
19.	810-178C	Seal Kit		

### Hydraulic Cylinder (810-150C) Midway

Applies to RCFM45180



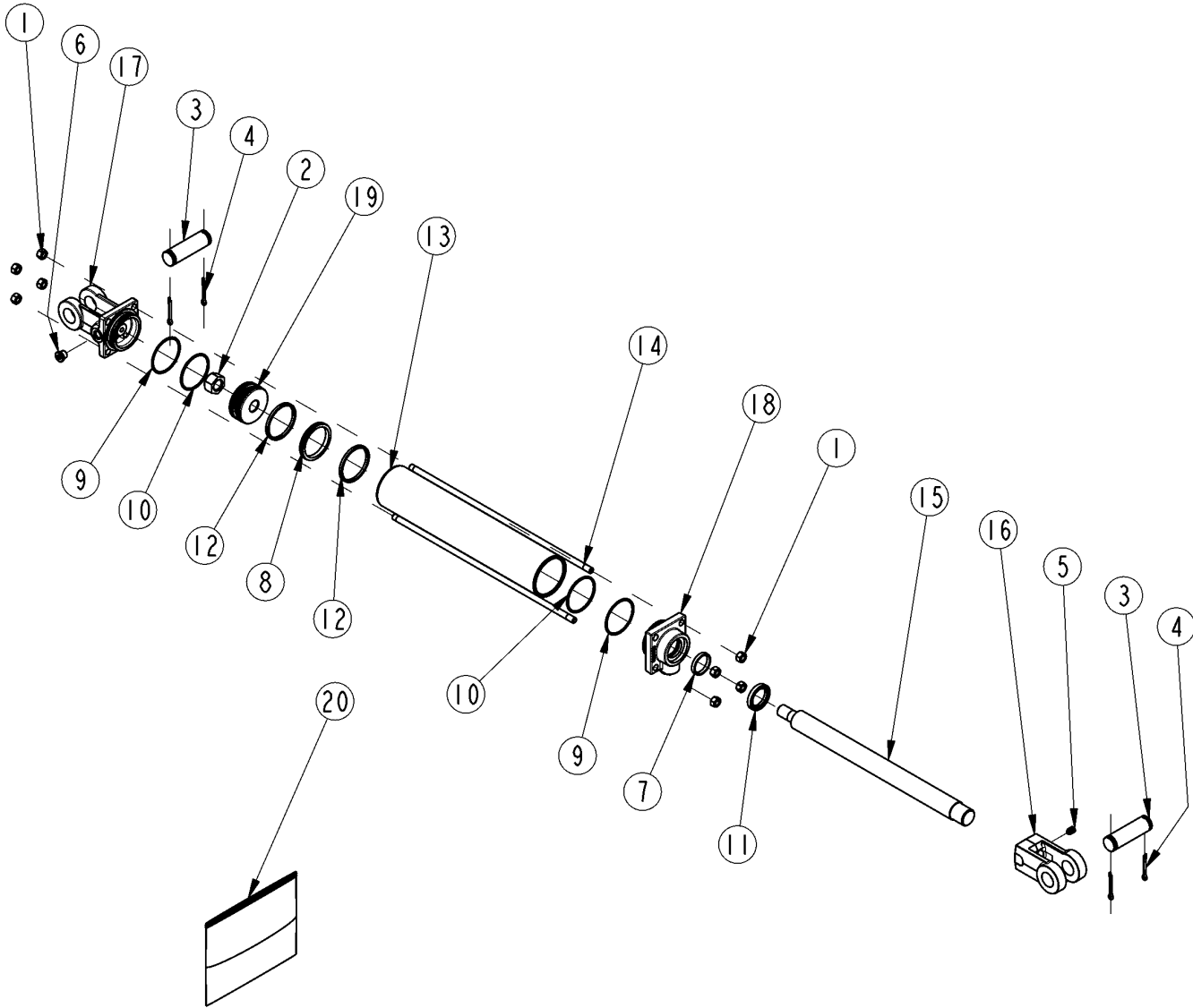
11421

**Hydraulic Cylinder (810-150C) Midway****Applies to RCFM45180**

<b>Ref</b>	<b>Part No.</b>	<b>Part Description</b>	<b>Comments</b>	<b>Revision</b>
	dwg11421	Drawing Image Number		
	810-150C	Hydraulic Cylinder Midway 2 1/2" x 12" x 1/14" Rod		
1.	6M3118	Base		
2.	2A0012	Nut, Tie Rod		
3.		O-Ring	Only available in Seal Kit (#19)	
4.	7M3320	Tie Rod		
5.	5M3120	Tube		
6.	2A0006	Screw, Cap		
7.	2A0208	Pin, Clevis		
8.	2A0132	Pin Clip		
9.	1M6010	Clevis		
10.	2A0012	Nut, Clevis		
11.	2M3418	Rod		
12.		Wiper	Only available in Seal Kit (#19)	
13.		Back Up Rod	Only available in Seal Kit (#19)	
14.		O-Ring	Only available in Seal Kit (#19)	
15.	3M3406	Head		
16.		Back Up {Piston}	Only available in Seal Kit (#19)	
17.	4M3102	Piston		
18.	2A0022	Nut, Piston		
19.	810-177C	Seal Kit		

# Hydraulic Cylinder (810-150C) Red Lion

Applies to RCFM45180



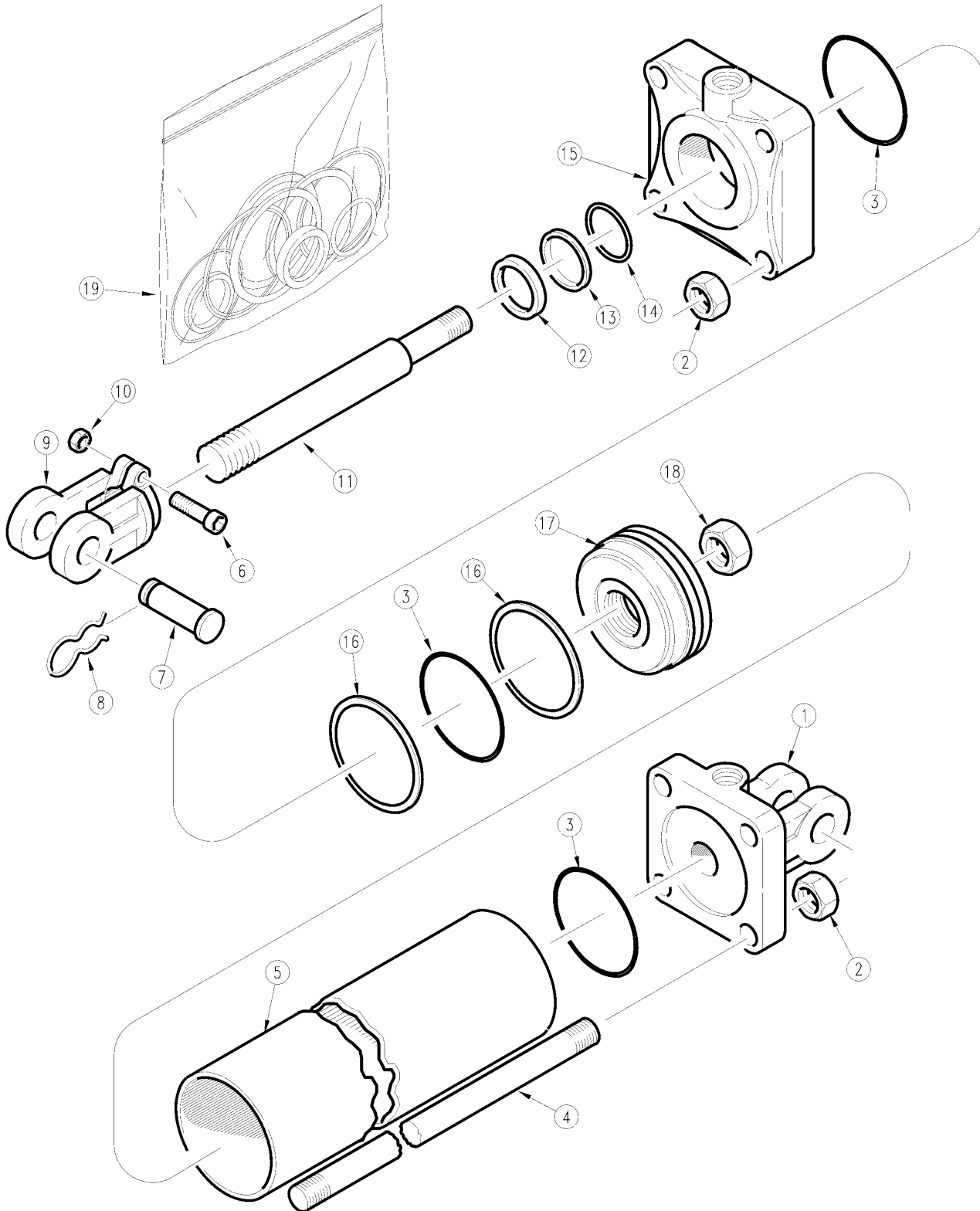
25899

**Hydraulic Cylinder (810-150C) Red Lion****Applies to RCFM45180**

Ref	Part No.	Part Description	Comments	Revision
	dwg25899	Drawing Image Number		
	810-150C	CYL 2.5X12X1.25 ROD (TIE ROD) *		
1.	803-014C	NUT HEX 3/8-16 PLT		
2.	130556	MON PISTON NUT		
3.	134953	LION PIN		
4.	135995	MON CLEVIS PIN COTTER		
5.	801-023C	SCREW SET SH 3/8-16X3/8 TYPE C		
6.	186561	PLUG 9/16-18UNF MORB SOCKET HD		
7.	N/A	MON ROD SEAL	Only Found in Kit #20	
8.	N/A	MON PISTON SEAL	Only Found in Kit #20	
9.	N/A	MON END CAP BACKUP WASHERS	Only Found in Kit #20	
10.	N/A	MON END CAP O-RING	Only Found in Kit #20	
11.	N/A	SEAL WIPER ROD	Only Found in Kit #20	
12.	N/A	MON PISTON WEAR RING	Only Found in Kit #20	
13.	491672	LION CYL TUBE 2.5 X 12		
14.	492222	LION TIE ROD 3/8, 12 CYL		
15.	492647	LION ROD 1.25 X 12		
16.	492650	LION ROD CLEVIS 1 1/8-12UNF		
17.	492688	LION CLEVIS CAP 2.5, 9/16 ORB		
18.	492724	LION ROD CAP 2.5X1.25 9/16 ORB		
19.	494768	MON PISTON		
20.	645004	MON SEALS REPAIR KIT		

# Hydraulic Cylinder (810-162C) Cross

Applies to RCFM45180



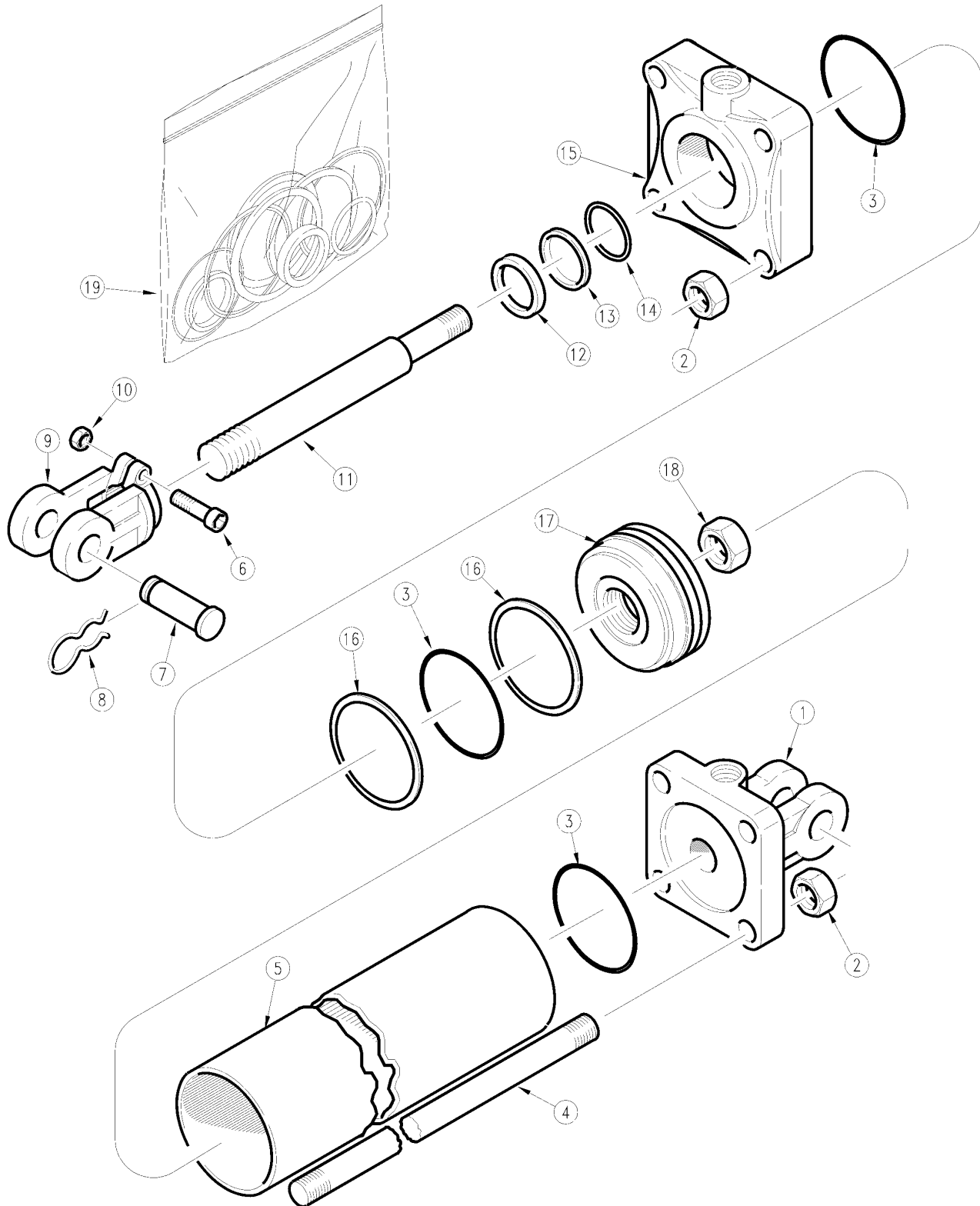
11421

**Hydraulic Cylinder (810-162C) Cross****Applies to RCFM45180**

<b>Ref</b>	<b>Part No.</b>	<b>Part Description</b>	<b>Comments</b>	<b>Revision</b>
	dwg11421	Drawing Image Number		
	810-162C	Hydraulic Cylinder Cross 3 1/2" x 8" x 1 1/4" Rod		
1.	1D1509-4	Base		
2.	2A0236-9	Nut, Tie Rod		
3.		O-Ring	Only available in Seal Kit (#19)	
4.	2A0581-1325	Tie Rod		
5.	1D0009-1050	Tube		
6.	2A0079-616	Screw, Cap		
7.	1D1551-16275	Pin, Clevis		
8.	2A0308-1	Pin Clip		
9.	1D1003-5	Clevis		
10.	2A0235-6	Nut, Clevis		
11.	1D0205-1262	Rod		
12.		Wiper	Only available in Seal Kit (#19)	
13.		Back Up Rod	Only available in Seal Kit (#19)	
14.		O-Ring	Only available in Seal Kit (#19)	
15.	1D1159-4	Head		
16.		Back Up {Piston}	Only available in Seal Kit (#19)	
17.	1D1401-350	Piston		
18.	1A1141	Nut, Piston		
19.	810-146C	Seal Kit		

### Hydraulic Cylinder (810-162C) Midway

Applies to RCFM45180



11421

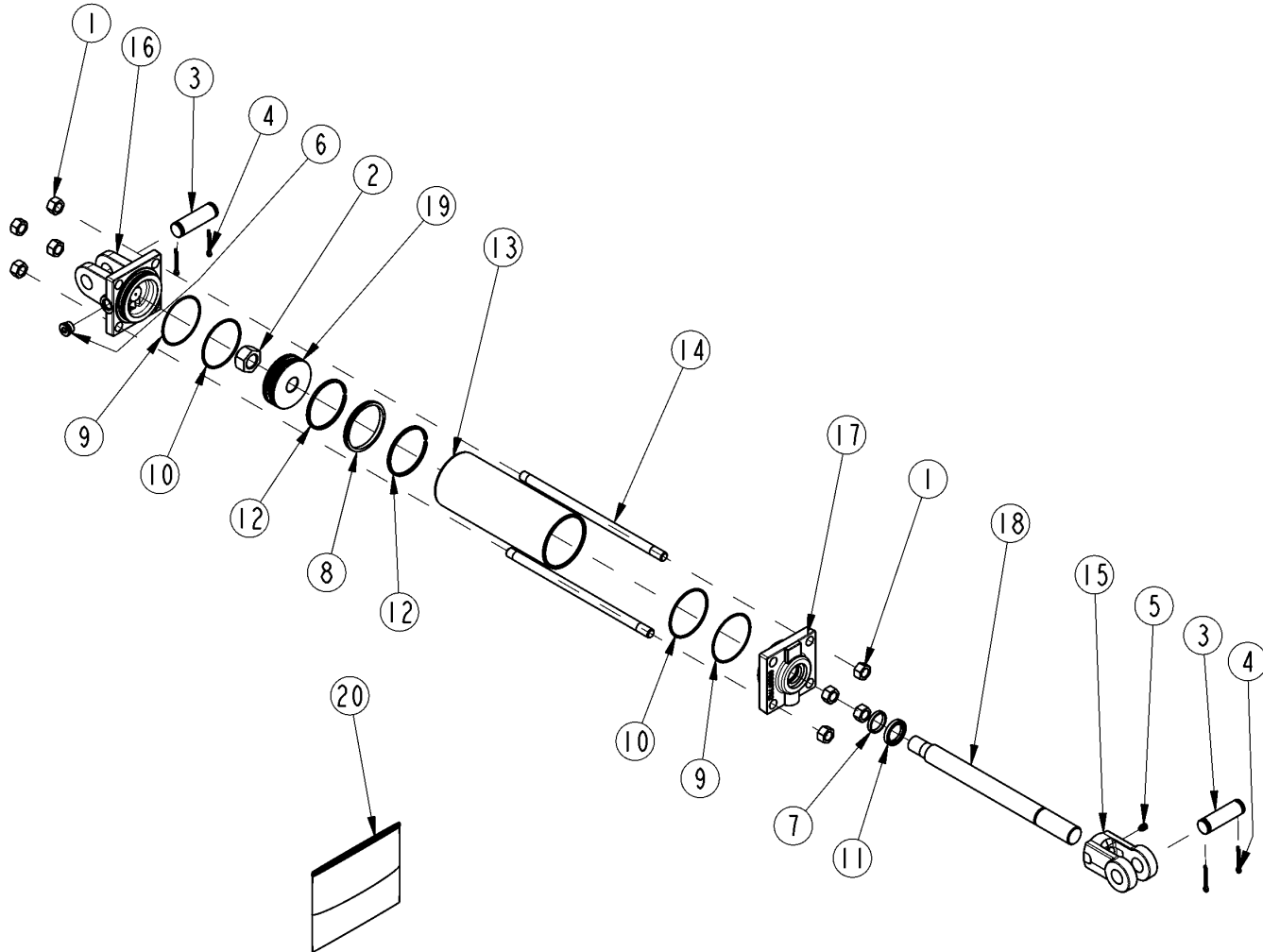


**Hydraulic Cylinder (810-162C) Midway****Applies to RCFM45180**

Ref	Part No.	Part Description	Comments	Revision
	dwg11421	Drawing Image Number		
	810-162C	Hydraulic Cylinder Midway 3 1/2" x 8" x 1 1/4" Rod		
1.	6M5142	Base		
2.	2A0016	Nut, Tie Rod		
3.		O-Ring	Only available in Seal Kit (#19)	
4.	7M5316	Tie Rod		
5.	5M5116	Tube		
6.	2A0006	Screw, Cap		
7.	2A0208	Pin, Clevis		
8.	2A0132	Pin Clip		
9.	1M6010	Clevis		
10.	2A0012	Nut, Clevis		
11.	2M5416	Rod		
12.		Wiper	Only available in Seal Kit (#19)	
13.		Back Up Rod	Only available in Seal Kit (#19)	
14.		O-Ring	Only available in Seal Kit (#19)	
15.	3M5408	Head		
16.		Back Up {Piston}	Only available in Seal Kit (#19)	
17.	4M5102	Piston		
18.	2A0024	Nut, Piston		
19.	810-149C	Seal Kit		

# Hydraulic Cylinder (810-162C) Red Lion

Applies to RCFM45180



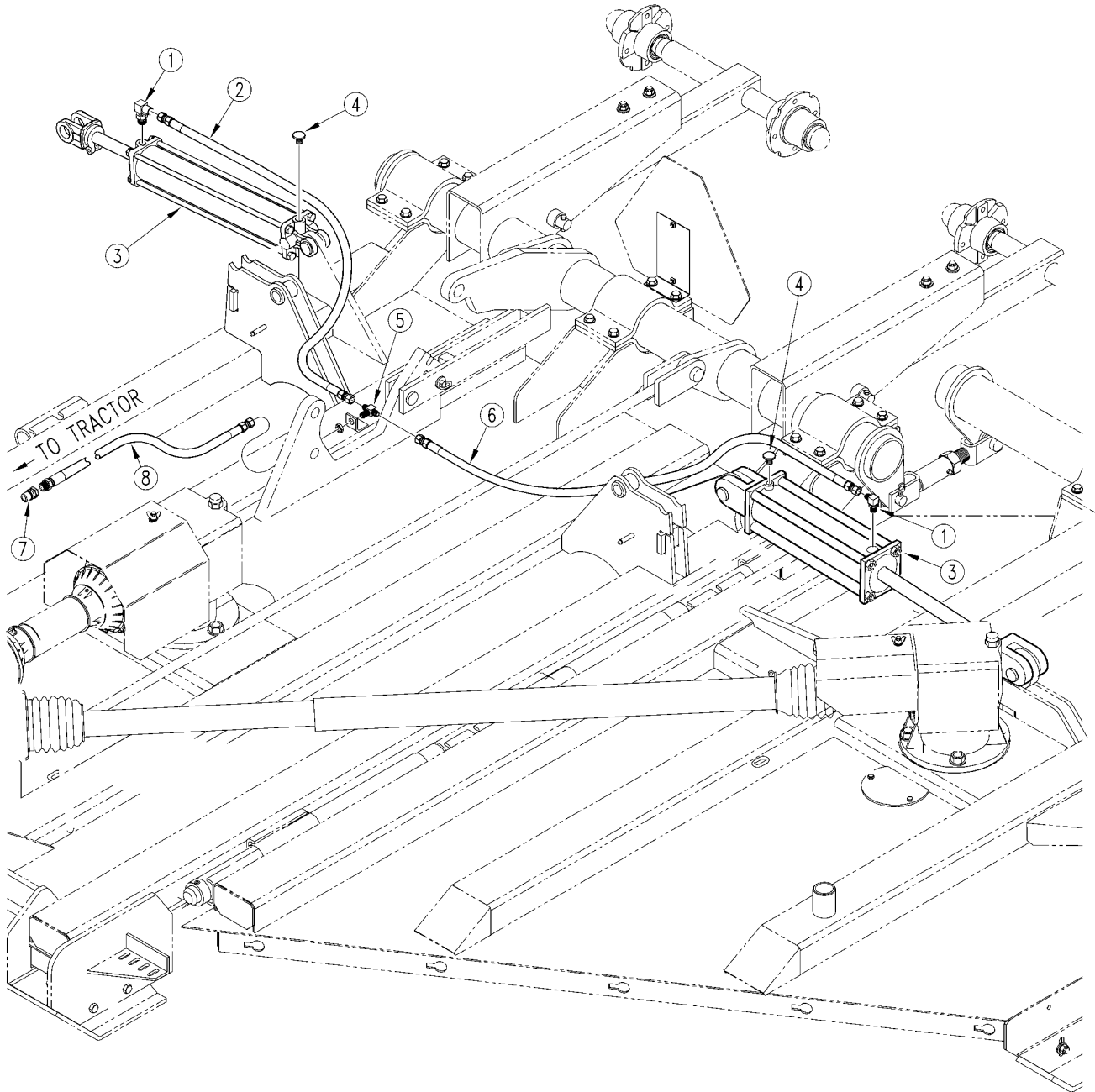
25900

**Hydraulic Cylinder (810-162C) Red Lion****Applies to RCFM45180**

Ref	Part No.	Part Description	Comments	Revision
	dwg25900	Drawing Image Number		
	810-162C	CYL 3.5X8X1.25 ROD (TIE ROD) *		
1.	803-022C	NUT HEX 5/8-18 PLT		
2.	130560	MON PISTON NUT		
3.	134953	LION PIN		
4.	135995	MON CLEVIS PIN COTTER		
5.	801-023C	SCREW SET SH 3/8-16X3/8 TYPE C		
6.	186562	LION PLUG 3/4-16UNF SOCKET HD		
7.	N/A	MON ROD SEAL	Only Found in Kit #20	
8.	N/A	MON PISTON SEAL (PSP)	Only Found in Kit #20	
9.	N/A	LION B.U. WASHER 073-236	Only Found in Kit #20	
10.	N/A	MON END CAP O-RING	Only Found in Kit #20	
11.	N/A	SEAL WIPER ROD	Only Found in Kit #20	
12.	N/A	MON PISTON WEAR RING	Only Found in Kit #20	
13.	491798	LION CYL. TUBE 3.5 X 8		
14.	492338	LION TIE ROD 5/8 X 8		
15.	492652	LION ROD CLEVIS 1 1/4 (1PIN)		
16.	492676	LION CLEVIS CAP 3.5 ORB		
17.	492677	LION ROD CAP 3.5 X 1 1/4 ORB		
18.	492700	LION ROD 1.25 DIA. ASAE 8		
19.	494754	MON PISTON		
20.	648411	MON SEALS REPAIR KIT		

## Hydraulic Plumbing Standard Wing Fold

Applies to RCFM45180



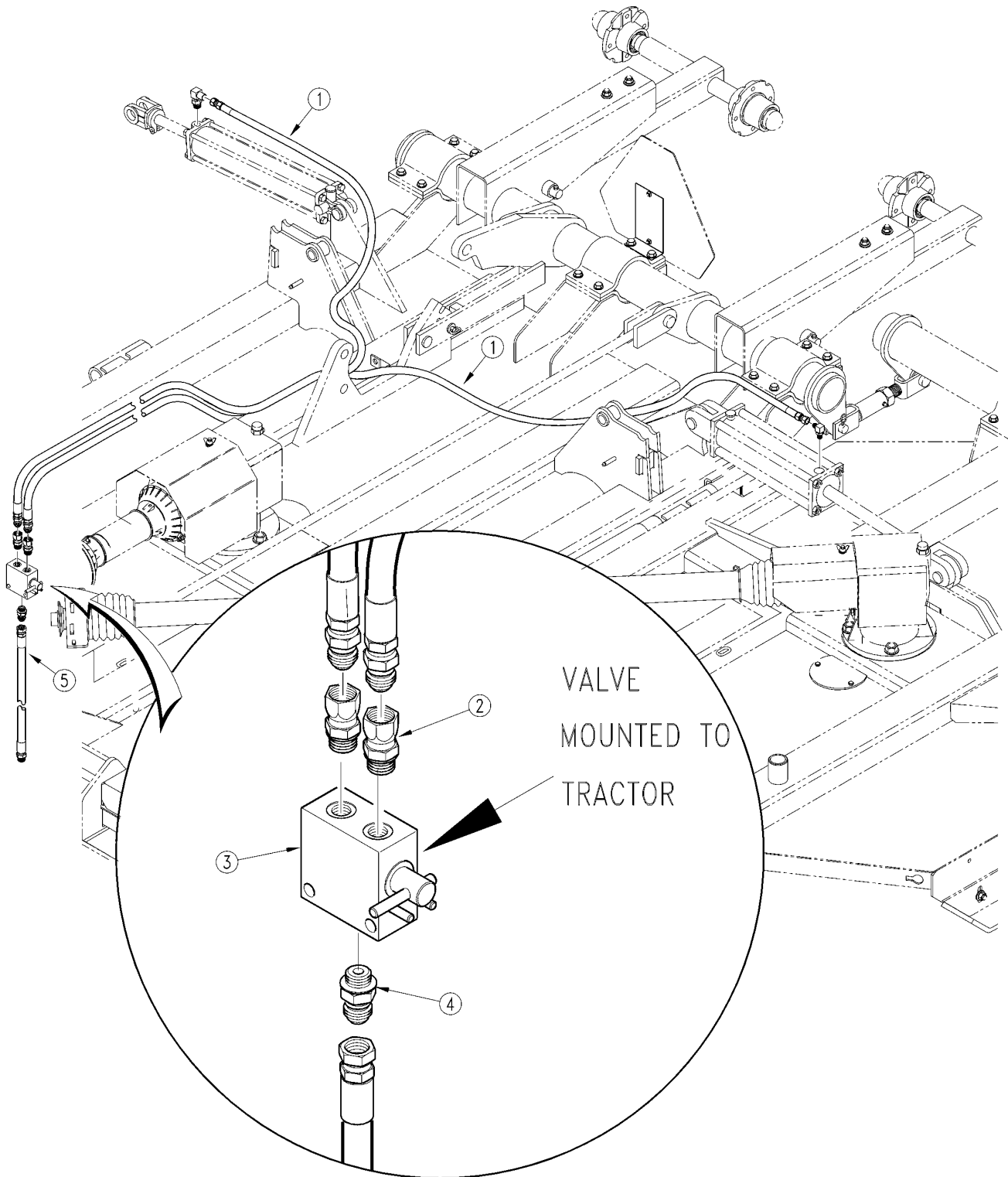
14095

***Hydraulic Plumbing Standard Wing Fold*****Applies to RCFM45180**

<b>Ref</b>	<b>Part No.</b>	<b>Part Description</b>	<b>Comments</b>	<b>Revision</b>
	dwg14095	Drawing Image Number		
1.	811-062C	OREL 1/32 9/16MJIC 9/16MORB		
2.	811-056C	HH1/4R2 045 9/16FJIC		
3.	810-150C	CYL 2.5X12X1.25 ROD (TIE ROD)		
4.	800-117C	VENT PLUG - 9/16-18 PLATED		
5.	811-356C	TE 9/16MJIC BH 9/16MJIC 9/16MJ		
6.	811-180C	HH1/4R1 057 9/16FJIC		
7.	811-394C	CP 3/4FORB MALE QD	(S/N 134740+) Revision 2 is not interchangeable w/revision 1	
7.	811-357C	CA 1/2FNPT	(S/N 134739-) 1st Revision	
8.	811-361C	HH1/4R1 186 3/4MORB 9/16FJIC		

## Hydraulic Selector Control Valve Kit

Applies to RCFM45180



14097

## ***Hydraulic Selector Control Valve Kit***

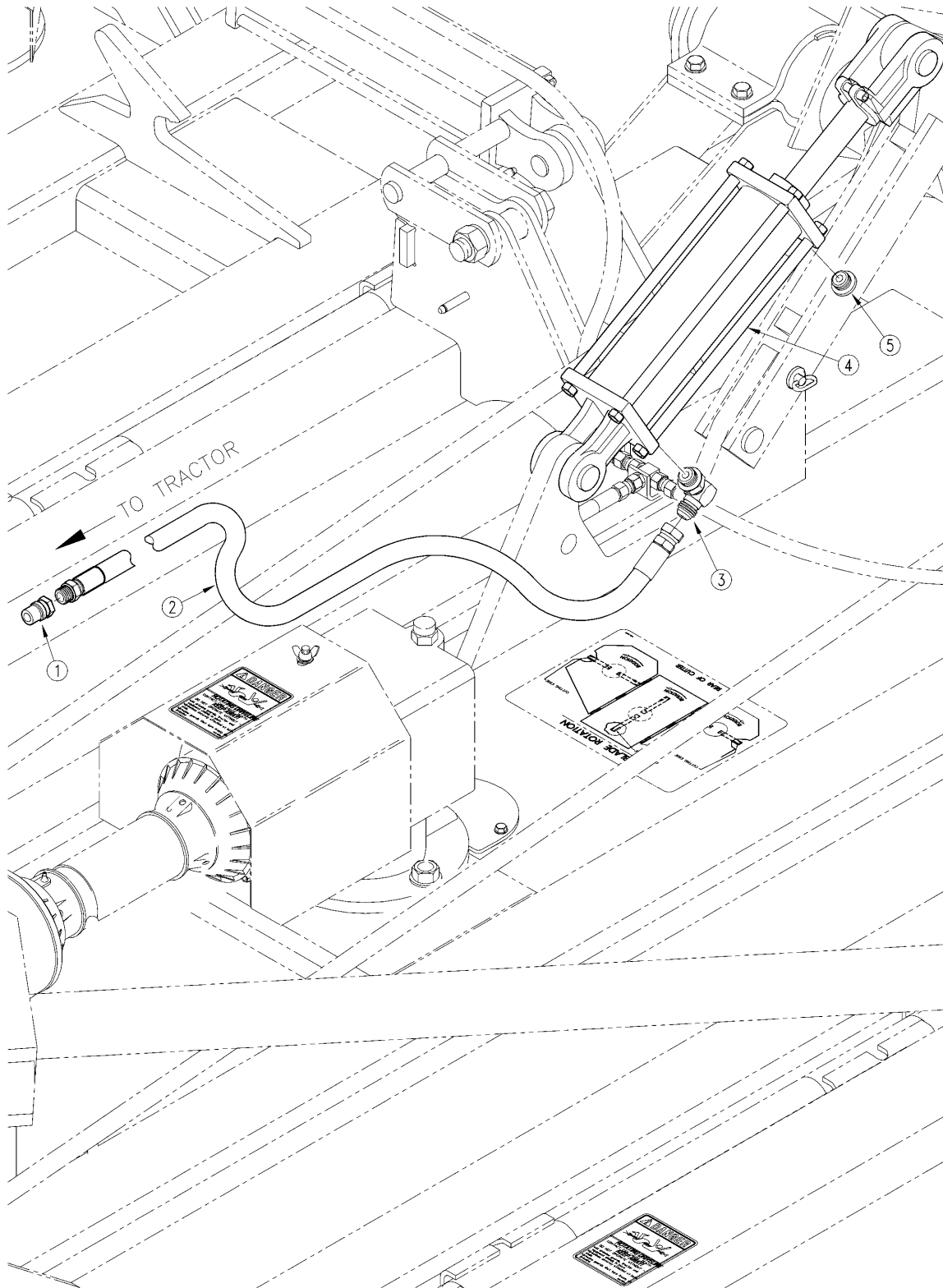
---

### **Applies to RCFM45180**

<b>Ref</b>	<b>Part No.</b>	<b>Part Description</b>	<b>Comments</b>	<b>Revision</b>
	dwg14097	Drawing Image Number		
	312-316A	RC45180 2-WAY SELECTOR VLV KIT		
1.	811-358C	HH1/4R1 265 1/2MNPT 9/16FJIC		
2.	811-021C	AD 1/2FNPTS 3/4MORB		
3.	810-152C	SELECTOR VALVE 3-WAY 2 POS		
4.	811-088C	AD 3/4MORB 3/4MJIC		
5.	811-360C	HH3/8R2 60 1/2MNPT 3/4FJIC		

## Hydraulics Optional Lift

Applies to RCFM45180



14096



## Hydraulics Optional Lift

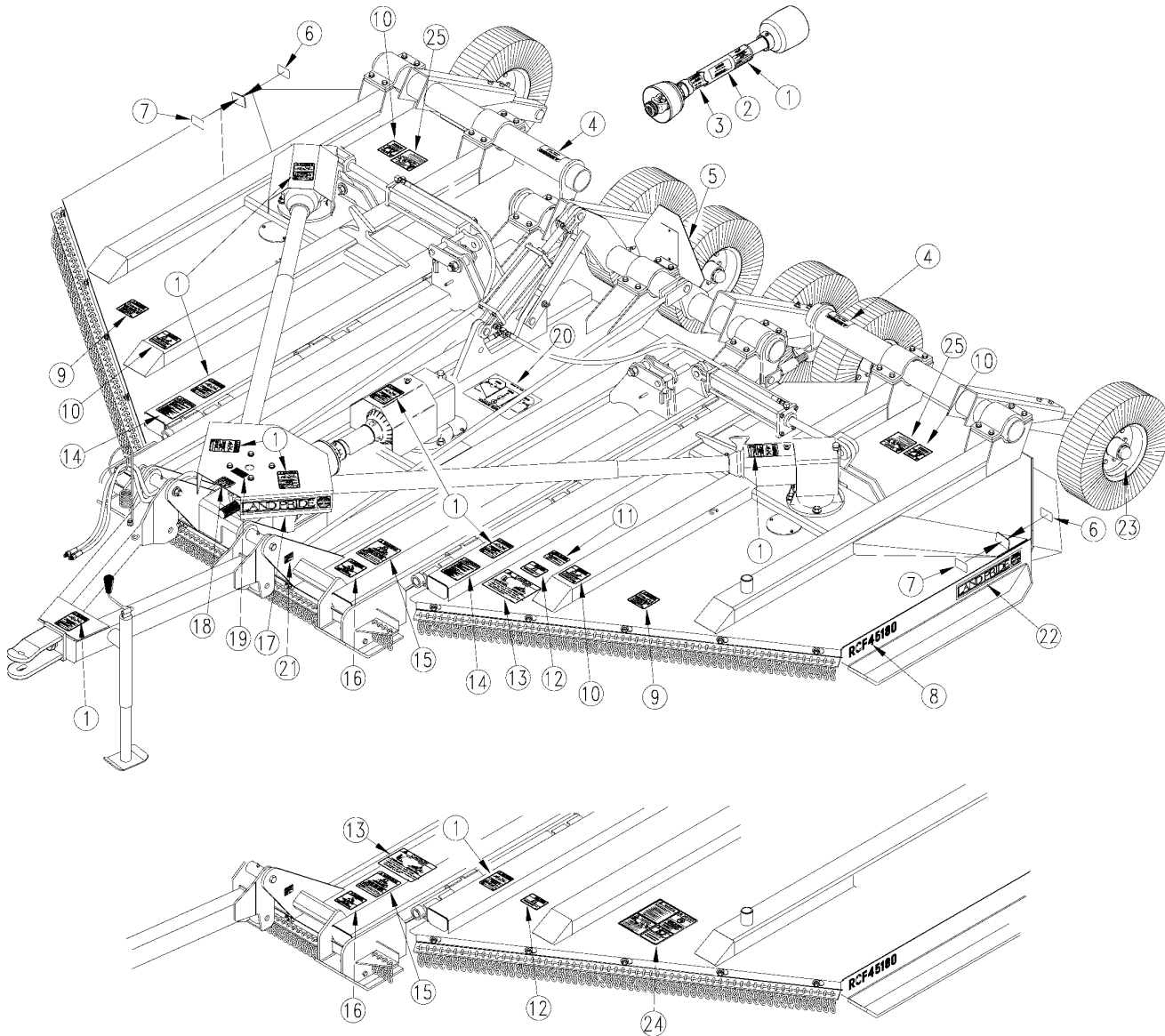
---

### Applies to RCFM45180

Ref	Part No.	Part Description	Comments	Revision
	dwg14096	Drawing Image Number		
	312-286A	HYDRAULIC HEIGHT ADJ KIT		
1.	811-394C	CP 3/4FORB MALE QD	(S/N 134740+)	
2.	811-353C	HH3/8R1 176 3/4MORB 3/4FJIC		
3.	811-063C	EL 3/4MJIC 3/4MORB		
4.	810-162C	CYL 3.5X8X1.25 ROD (TIE ROD)		
5.	800-094C	FILL PLUG VENTED 3/4-16 PLT		

# Label Placement

Applies to RCFM45180



14098

## Label Placement

### Applies to RCFM45180

Ref	Part No.	Part Description	Comments	Revision
	dwg14098	Drawing Image Number		
	312-282A	RCF45180 SAFETY DECAL PACKAGE		
	312-284A	RCFM45180 SAFETY DECAL PACKAGE		
	312-283A	RCF45180 DECAL PACKAGE		
	312-285A	RCFM45180 DECAL PACKAGE		
1.	818-552C	DECAL DANGER PTO DRIVELINE		
2.	818-321C	DECAL 15' CTR 1000 DRIVELINE		
2.	818-423C	DECAL PTO 826-114C		
2.	818-426C	DECAL PTO 826-117C		
2.	818-427C	DECAL PTO 826-118C		
2.	818-488C	DECAL PTO MAINTENANCE CV		
3.	818-540C	DECAL DANGER GUARD MISS PTO		
4.	818-045C	DECAL WARNING PINCH PT/CRUSH		
5.	818-055C	DECAL SLOW MOVING-GALV. BACKED		
6.	818-230C	DECAL RED REFLECTOR		
7.	818-229C	DECAL AMBER REFLECTOR		
8.	818-591C	DECAL RCF45180 - LP BLACK		
8.	818-592C	DECAL RCFM45180 - LP BLACK		
9.	818-555C	DECAL DANGER ROTATE BLADE		
10.	818-556C	DECAL DANGER THROWN OBJ CUTTER		
11.	818-559C	DECAL NOTICE TO OWNER-WARRANTY		
12.	818-557C	DECAL DANGER CANNOT READ ENG		
13.	818-440C	DECAL CAUTION TRANSPORT LINKS		
14.	818-554C	DECAL WARNING GEN SAFE CUTTER		
15.	818-276C	DECAL WARNING OPERATING ANGLE		
16.	818-561C	DECAL DANGER RAISED WING HAZAR		
17.	818-163C	LP LOGO LARGE BUCKSKIN		
18.	818-240C	DECAL CAUTION 1000 RPM		
18.	818-130C	DECAL CAUTION 540 RPM		
19.	818-190C	DECAL FLAG		
20.	818-268C	DECAL BLADE ROTATION RC45180		
21.	819-036C	I.D. PLATE - LAND PRIDE		
22.	818-162C	LP LOGO LARGE GREEN		
23.	818-681C	DECAL NOTICE - 20 MPH MAX		
24.	818-830C	DECAL SAFETY COMBO SUNWEST		
25.	818-564C	DECAL DANGER ROTATING BLADES		



# Part Number Index

The Part Number Index is a numeric index of all part numbers included in this manual. The index shows what page(s) the part is used on.

Part Number	Page	Part Number	Page	Part Number	Page	Part Number	Page
0.121.7101.00	87, 101, 227	030040	211, 223	07-002	91, 99, 213, 221, 225	11-012	91, 95, 99, 213, 217, 221, 225
0.132.7106.00	87, 101	030041	211, 223	07-004	91, 99, 213, 221, 225	110002	105, 229
0.132.7107.00	227	030191	97	07-006	91, 99, 213, 221, 225	12-008	95, 217
0.139.7100.00	87, 101, 227	030192	97	07-010	103	120025	97, 219
0.139.7101.00	87, 101, 227	030193	219	07-022	91, 99, 213, 221, 225	120050	105, 229
0.210.0300.00	87, 101, 227	030194	219	07-057	97, 219	122.580.501.1	195
0.210.1300.00	87, 101, 227	04-007	103	07-058	97, 219	122.580.510.1	73
0.210.2000.00	87, 101, 227	04-008	103	070140	89, 97, 211, 219, 223	122.981.002.1	195
0.210.3000.00	227	04-009	103	070141	89, 97, 211, 219, 223	122.981.027.1	73
0.210.3001.00	87, 101	04-010	103	070142	89, 97, 211, 219, 223	130002	105, 229
0.210.5000.00	227	04-011	87, 91, 93, 95, 99, 101, 213, 215, 217, 221, 225, 227	070143	89, 211, 223	130003	105, 229
0.210.5001.00	87, 101	04-017	91, 93, 99, 213, 215, 221, 225	070144	89, 211, 223	130021	97, 219
0.210.6000.00	227	040074	97, 219	070151	97, 219	130030	97, 219
0.210.6001.00	87, 101	040112	89, 211, 223	08-001	91, 99, 103, 213, 221, 225	130556	113, 237
0.210.7100.00	87	040123	97, 219	08-002	91, 99, 103, 213, 221, 225	130560	119, 243
0.252.7525.00	87, 101, 227	040135	89, 211, 223	08-003	103	134953	113, 119, 237, 243
0.285.7510.00	227	042446	79, 203	08-006	91, 93, 95, 99, 103, 213, 215, 217, 221, 225	135995	113, 119, 237, 243
0.709.7500.00	87, 101, 227	042454	79, 203	08-007	91, 93, 95, 99, 103, 213, 215, 217, 221, 225	140000	103
0.712.7500.00	87, 101, 227	042459	79, 203	08-008	95, 103, 217	140017	89, 97, 105, 211, 219, 223, 229
010059	211	043487	79, 203	081133	185	140033	89, 97, 211, 219, 223
010063	97, 219	043489	79, 199, 203	082726	61, 65, 71, 85, 181, 185, 191, 193, 209	141.028.195.1	73, 195
010112	211	044321	61, 65, 71, 85, 181, 185, 191, 193, 209	09-005	91, 93, 99, 213, 215, 221, 225	141.028.248.1	73, 195
010160	89, 211, 223	045560	79, 203	09-008	91, 93, 99, 213, 215, 221, 225	141.028.358.1	73
016239	199	045790	79, 199, 203	09-011	91, 95, 99, 213, 217, 221, 225	141.028.359.1	195
019516	185	045793	79, 199, 203	09-012	91, 95, 99, 213, 217, 221, 225	142.283.1412821	73
019518	85, 185, 209	047825	79, 199, 203	090003	97, 219	142.283.1442821	195
019519	61, 85, 181, 185, 191, 209	05-007	91, 93, 95, 99, 213, 215, 217, 221, 225	090015	211, 223	142.287.1632821	73
02-002	91, 99, 213, 221, 225	05-008	91, 99, 213, 221, 225	090055	89	142.287.1642821	195
02-004	91, 99, 213, 221, 225	05-012A	95, 217	090073	89, 211, 223	152.280.5260710	195
02-005	95, 217	05-012B	95, 217	095758	191	152.280.5320710	73
02-013	215	05-014	103	097133	65	158.018.470	73, 195
02-014	93, 215	050008	89, 97, 211, 219, 223	097136	65	165.000.589	73, 195
02-017	95, 217	050012	89, 97, 211, 219, 223	097140	65, 71, 193	165.000.628	73, 195
02-032	93, 215	050013	89, 97, 211, 219, 223	10-001	91, 95, 99, 217	165.000.694	73, 195
02-053	103	050014	89, 97, 211, 219, 223	10-003	91, 99, 213, 221, 225	165.000.785	73, 195
02-054	103	050015	89, 97, 211, 219, 223	10-015	93, 215	168556	79, 199, 203
020005	89, 211, 223	051551	199	10-016	91, 99, 213, 221, 225	17-001	95, 103, 217
020006	211	051554	79, 203	10-027	103	17-002	91, 93, 95, 99, 103, 213, 215, 217, 221, 225
020061	97, 219	053356	61, 79, 203	100001	105, 229	17-003	91, 93, 95, 99, 103, 213, 215, 217, 221, 225
020103	181	053385	181, 199	10160	105, 229	172758	191
020110	97, 219	06-002	91, 99, 213, 221, 225	104810	71, 193	18-001	91, 99, 213, 221, 225
020162	89, 97, 211, 219, 223	06-003	91, 93, 95, 99, 213, 215, 217, 221, 225	11-001	93, 213, 215, 221, 225	18-014	93, 215
020514	181	06-017	103	11-003	91, 99, 213, 221, 225	18-022	95, 217
020530	61	06-018	103	11-008	91, 99, 103, 213, 221, 225	18-027	103
020617	61, 85, 181, 185, 191, 209	060004	89, 103, 211, 223	11-005	91, 99, 213, 221, 225	180.014.240	73, 195
020672	71, 191, 193	060005	89, 97, 211, 219, 223	11-006	91, 99, 213, 221, 225	180.016.025	73, 195
020692	79, 199, 203	060020	97, 219	11-007	91, 99, 213, 221, 225	180.018.004	73, 195
023469	181	060051	97, 219	11-008	91, 99, 103, 213, 221, 225	180.018.158	73, 195
023474	61	07-001	91, 93, 95, 99, 213, 215, 217, 221, 225	11-009	91, 99, 213, 221, 225	180.018.251	73, 195
03-006	213, 221, 225			11-010	91, 99, 103, 213, 221, 225	180.018.252	73, 195
03-007	213, 221, 225			11-011	91, 99, 103, 213, 221, 225	180.018.393	73, 195
03-008	91, 99			11-012	91, 99, 103, 213, 221, 225	180.018.437	73, 195
03-009	91, 99			11-013	91, 99, 103, 213, 221, 225	180.018.567	73, 195
03-020	215			11-014	91, 99, 103, 213, 221, 225	186561	113, 237
03-021	215			11-015	91, 99, 103, 213, 221, 225	186562	119, 243
03-022	93			11-016	91, 99, 103, 213, 221, 225	19-003	93, 215
03-023	93			11-017	91, 99, 103, 213, 221, 225	190.000.243	73, 195
03-038	217			11-018	91, 99, 103, 213, 221, 225	1A1141	115, 239
03-039	217			11-019	91, 99, 103, 213, 221, 225	1D0005-1450	109, 233
03-040	95						
03-041	95						
03-060	103						
03-061	103						
030038	89						
030039	89						

## Table of Contents    Part Number Index



# Part Number Index (continued)

Part Number	Page	Part Number	Page	Part Number	Page	Part Number	Page
1D0009-1050	115, 239	240080061	63, 67, 69, 187, 189	2M5416	117, 241	312-265K	53, 173
1D0205-1262	115, 239			30038	105	312-266K	53, 173
1D0206-1675	109, 233	244111150	81, 83, 205, 207	30039	105	312-267K	53, 173
1D1003-5	109, 115, 233, 239	244160833	187	30040	229	312-268K	53, 173
1D1155-17	109, 233	244690713	67	30041	229	312-269K	53, 173
1D1159-4	115, 239	245160836	189	303003400	75, 197	312-277S	41, 43, 161, 163
1D1401-250	109, 233	245690713	67, 69	304011	65, 71, 193	312-278S	31, 151
1D1401-350	115, 239	246000019	75, 197	304046	65, 71, 193	312-281S	35, 37, 155, 157
1D1505-3	109, 233	247000060	77, 201	304149	79, 199, 203	312-282A	127, 251
1D1509-4	115, 239	247000061	77, 201	310-024D	13, 15, 17, 19, 133, 135, 137, 139	312-283A	127, 251
1D1551-16275	109, 115, 233, 239	247006351	75, 197			312-284A	127, 251
1M6010	111, 117, 235, 241	248230002	77, 201	312-070D	49, 51, 169, 171	312-285A	127, 251
20-001	91, 93, 99, 213, 215, 221, 225	248230006	77, 201	312-071D	45, 47, 165, 167	312-286A	125, 249
20-002	91, 99, 213, 221, 225	248630001	75, 197	312-098D	13, 133	312-302M	33, 35, 37, 153, 155, 157
20-009	93, 215	249110242	57, 179	312-106D	39, 43, 159, 163	312-308H	9, 129
20-018	95, 217	249110330	59, 177	312-139D	41, 43, 161, 163	312-313D	43, 163
20-019	95, 217	252000001	57, 59, 81, 83, 177, 179, 183, 187, 189, 205, 207	312-155H	33, 153	312-315A	107, 231
20-025	103			312-194E	35, 37, 155, 157	312-316A	123, 247
20-026	103	252000005	63, 67, 69	312-195H	33, 153	312-317H	49, 169
200-001D	39, 43, 159, 163	253052101	77, 201	312-205H	13, 15, 17, 19, 133, 135, 137, 139	312-318H	49, 169
200003	89, 97, 105, 211, 219, 223, 229	253056301	75, 197			312-319H	49, 169
20005	105, 229	254050007	81, 205	312-206H	23, 25, 27, 29, 143, 145, 147, 149	312-320H	49, 169
20162	105, 229	254050029	187, 189			312-323K	47, 167
204053354	59, 177	254080029	67, 69	312-207H	23, 25, 27, 29, 143, 145, 147, 149	312-324K	51, 171
204053361	57, 59, 177, 179	255050005	57, 59, 81, 83, 177, 179, 205, 207			312-325K	51, 171
204056860	81, 83, 205, 207			312-210D	33, 153	312-326K	47, 167
204056861	81, 83, 205, 207	255050009	59, 81, 177, 205	312-210H	39, 41, 159, 161	312-327K	53, 173
204066851	183	255060005	183, 187, 189	312-212D	39, 43, 159, 163	312-328K	53, 173
204066852	183, 187, 189	255060006	183, 187, 189	312-212H	39, 159	312-329K	53, 173
204086860	63	255060351	189	312-213H	43, 163	312-330K	53, 173
204086861	63, 67, 69	255080005	63, 67, 69	312-214H	43, 163	312-331K	53, 173
21-001	93, 103, 215	255080006	63, 67, 69	312-216H	43, 163	312-332H	35, 37, 155, 157
210001	105, 229	255080351	67, 69	312-217H	21, 141	312-334H	15, 17, 25, 27, 135, 137, 145, 147
215066854	187, 189	258005320	77, 201	312-218H	13, 15, 17, 19, 133, 135, 137, 139	312-345H	39, 159
215086854	67, 69	259006802	187			312-346V	39, 159
224210834	187	259006803	189	312-220H	9, 129	312-356H	21, 141
224210939	183	259006804	83, 207	312-221H	33, 35, 37, 153, 155, 157	312-372H	17, 19, 137, 139
224270834	189	264630001	75, 197			312-399H	19, 29, 139, 149
224380710	69	270060833	187	312-222H	33, 35, 37, 153, 155, 157	312-400H	19, 29, 139, 149
224701143	81, 83, 205	270080713	67			312-432D	31, 151
224701283	81, 83, 205, 207	270111290	81, 83, 205, 207	312-223H	31, 151	312-433H	11, 131
224730710	67	270161290	81, 83, 205, 207	312-224H	31, 151	312-434H	11, 131
224730815	63	270690713	67	312-225V	31, 151	312-442D	49, 51, 169, 171
225160946	183	2A0006	111, 117, 235, 241	312-226H	23, 25, 27, 143, 145, 147	312-443D	49, 51, 169, 171
225690823	63					312-444D	45, 47, 165, 167
236530152	57, 179	2A0012	111, 117, 235, 241	312-227H	21, 141	312-445D	41, 43, 161, 163
236530185	59, 177			312-228H	21, 141	312-446D	31, 151
236630152	57, 179	2A0016	117, 241	312-233S	9, 23, 25, 27, 129, 143, 145, 147	312-446H	29, 149
236630185	59, 177	2A0022	111, 235			312-447D	31, 151
236630771	187, 189	2A0024	117, 241	312-234S	9, 13, 15, 17, 129, 133, 135, 137	312-447H	53, 173
236630876	183	2A0079-616	109, 115, 233, 239			312-448D	9, 129
236631080	81, 205					312-448H	53, 173
236631220	83, 207	2A0132	111, 117, 235, 241			312-449D	9, 129
236640640	67, 69			312-235S	9, 23, 25, 27, 129, 143, 145, 147	312-449H	53, 173
236640744	63	2A0208	111, 117, 235, 241			312-450D	9, 129
237005309	183			312-239D	23, 25, 143, 145	312-450H	53, 173
237005311	83, 207	2A0235-6	109, 115, 233, 239	312-252V	39, 159	312-451D	9, 129
237005356	187, 189			312-253V	43, 163	312-451S	11, 29, 131, 149
237005357	81, 205	2A0236-9	115, 239	312-258K	45, 47, 165, 167	312-452S	11, 19, 131, 139
237005407	67, 69	2A0246-12	109, 233	312-259K	49, 51, 169, 171	312-453S	11, 29, 131, 149
237005408	63	2A0308-1	109, 115, 233, 239	312-260K	49, 51, 169, 171	312-454D	39, 159
239006812	63, 67, 183			312-261K	47, 167	312-455D	23, 143
239006815	69	2A0578-1675	109, 233	312-262K	51, 171	312-456D	41, 161
240002461	183	2A0581-1325	115, 239	312-263K	51, 171	312-457D	33, 35, 37, 153, 155, 157
240003051	57, 83, 179, 207	2M3418	111, 235	312-264K	47, 167	312-458D	13, 23, 133, 143
						312-459D	13, 15, 17, 19, 23, 25, 27, 29,



# Part Number Index (continued)

Part Number	Page	Part Number	Page	Part Number	Page	Part Number	Page
	133, 135, 137, 139, 143, 145, 147, 149	321256 .....65		386428 .....61, 181		515630301 .....75, 197	
312-460D .....	45, 47, 165, 167	325027 .....65, 71, 193		387097 .....193		517050004 .....183	
312-461D .....	49, 53, 169, 173	331053 .....185, 191		388141 .....71		517050008 .....59, 81, 177, 205	
312-462D .....	49, 53, 169, 173	331573 .....71, 193		388204 .....193		517050009 .....183, 187, 189	
312-463D .....	49, 53, 169, 173	333919 .....79, 85, 203, 209		388695 .....61		517050030 .....183	
312-464D .....	49, 53, 169, 173	338020000 .....57, 59, 81, 83, 177, 179, 183, 187, 189, 205, 207		388698 .....71		517050091 .....59, 81, 177, 205	
312-465D .....	49, 53, 169, 173	338023000 .....63, 67		388957 .....65		517050098 .....57, 83, 179, 207	
312-466D .....	45, 165	338023001 .....69		389849 .....185		517050099 .....57, 83, 179, 207	
312-467D .....	45, 165	338531 .....79, 199, 203		389850 .....65		517068051 .....187, 189	
312-468D .....	49, 169	339107 .....65, 185		389851 .....191		517080080 .....63, 67, 69	
312-469D .....	49, 169	341002000 .....81, 83, 205, 207		389856 .....181		517080082 .....63	
312-470D .....	49, 169	341042000 .....183, 189		390257 .....65		517088051 .....67, 69	
312-471D .....	49, 169	341043000 .....81, 183, 187, 189, 205		391406 .....193		569B50254 .....57, 179	
312-474D .....	49, 169	341053000 .....83, 207		399141000 .....57, 59, 63, 67, 69, 81, 83, 177, 179, 183, 187, 189, 205, 207		572050351 .....57, 83, 179, 207	
312-475D .....	45, 47, 165, 167	341054000 .....63		399143000 .....57, 59, 63, 67, 69, 81, 83, 177, 179, 183, 187, 189, 205, 207		572080351 .....63	
312-476D .....	49, 53, 169, 173	341055000 .....63, 67, 69		3M3406 .....111, 235		5720H3776 .....183	
312-477D .....	49, 51, 169, 171	341586 .....191		3M5408 .....117, 241		573063775 .....187, 189	
312-478D .....	49, 53, 169, 173	341953 .....79, 199, 203		40112 .....105, 229		573063781 .....187, 189	
312-479D .....	49, 53, 169, 173	342221 .....191		40135 .....105, 229		573080375 .....67, 69	
312-480D .....	49, 53, 169, 173	345012000 .....57, 59, 177, 179		403000001 .....57, 59, 63, 67, 69, 81, 83, 177, 179, 183, 205, 207		5M3120 .....111, 235	
312-481D .....	45, 47, 165, 167	348004000 .....67		403000013 .....187, 189		5M5116 .....117, 241	
312-500D .....	13, 15, 133, 135	348004000 .....57, 59, 63, 69, 81, 83, 177, 179, 183, 187, 189, 205, 207		408000029 .....77, 201		60004 .....105, 229	
312-509D .....	13, 15, 17, 19, 133, 135, 137, 139	348017000 .....69, 189		408000033 .....75, 197		60005 .....105, 229	
312-512D .....	45, 165	351022370 .....77, 201		408000041 .....63, 67, 69, 183, 187, 189		638237001 .....77, 179, 201	
312-513D .....	45, 47, 165, 167	355155 .....65, 71, 85, 185, 191, 193, 209		408000060 .....77, 201		638248001 .....57, 77, 201	
312-514D .....	49, 169	355527 .....71		41205 .....57, 81, 83, 179, 205, 207		638248006 .....77, 83, 201, 207	
312-515D .....	49, 169	363617 .....71		412050006 .....57, 59, 177, 179		645004 .....113, 237	
312-516D .....	49, 169	363696 .....193		41206 .....183, 187, 189		648411 .....119, 243	
312-517D .....	49, 169	364915 .....71, 193		412060012 .....187, 189		676548303 .....59, 75, 81, 177, 197, 205	
312-520D .....	49, 169	365305 .....61, 65, 71, 85, 181, 185, 191, 193, 209		41208 .....63, 67, 69		6M3118 .....111, 235	
312-522D .....	45, 47, 165, 167	365722 .....191		412080012 .....67, 69		6M5142 .....117, 241	
312-523D .....	45, 47, 165, 167	365725 .....71, 193		432000006 .....77, 201		70140 .....105, 229	
312-524D .....	49, 51, 169, 171	367002630 .....75, 197		435000302R .....187, 189		70141 .....105, 229	
312-526D .....	49, 53, 169, 173	377336 .....61, 85, 181, 185, 209		491672 .....113, 237		70142 .....105, 229	
312-528D .....	49, 53, 169, 173	377341 .....185, 191		491798 .....119, 243		70143 .....105, 229	
312-529D .....	49, 53, 169, 173	377436 .....61, 85, 181, 209		492222 .....113, 237		70144 .....105, 229	
312-530D .....	49, 53, 169, 173	377437 .....65		492338 .....119, 243		70145 .....105, 229	
312-540D .....	15, 17, 25, 27, 135, 137, 145, 147	377442 .....65, 71, 193		492647 .....113, 237		702352 .....65, 71, 193	
312-544D .....	13, 15, 17, 19, 133, 135, 137, 139	380371 .....65, 71, 85, 185, 191, 193, 209		492650 .....113, 237		7M3320 .....111, 235	
312-547D .....	41, 43, 161, 163	380883 .....191		492652 .....119, 243		7M5316 .....117, 241	
312-563D .....	75, 197	380907 .....85, 209		492676 .....119, 243		8.0.9.00143 .....87, 101, 227	
312-566D .....	25, 27, 29, 145, 147, 149	381367 .....193		492677 .....119, 243		8.0.9.00469 .....227	
312-587D .....	41, 161	381495 .....79, 199, 203		492688 .....113, 237		8.1.1.00501 .....87, 101, 227	
312-633D .....	19, 29, 139, 149	381908 .....85, 191, 209		492700 .....119, 243		8.2.2.00555 .....87, 101, 227	
312-742D .....	47, 167	381957 .....79, 199, 203		492724 .....113, 237		8.4.7.00146 .....87, 101, 227	
312-743D .....	47, 167	382329 .....61, 181		494754 .....119, 243		8.4.7.02265 .....87, 101, 227	
312-744D .....	51, 171	382437 .....191		494768 .....113, 237		8.5.1.00533 .....87, 101, 227	
312-745D .....	51, 171	382647 .....191		494754 .....119, 243		8.5.2.00332 .....87, 101, 227	
312-746D .....	53, 173	383052 .....85, 209		4M3102 .....111, 235		8.6.6.00201 .....87, 101, 227	
312-747D .....	53, 173	384064 .....185		4M5102 .....117, 241		8.7.1.01107 .....87, 101, 227	
312-750D .....	53, 173	384202 .....85, 209		50008 .....105, 229		8.7.3.00331 .....87, 101, 227	
312-751D .....	47, 167	384316 .....71, 193		50012 .....105, 229		800-001C .....13, 23, 31, 33, 39, 41, 43, 133,	
312-753D .....	51, 171	384348 .....85, 209		50013 .....105, 229		143, 151, 153, 159, 161, 163	
312-754D .....	51, 171	385911 .....185		50014 .....105, 229		800-058C .....39, 159	
312-755D .....	53, 173	386048 .....71, 193		50015 .....105, 229		800-080C .....13, 15, 17, 19, 23, 25, 27, 29, 31, 33, 35, 37, 41, 43, 133, 135, 137, 139, 143, 145, 147, 149, 151, 153, 155, 157, 161, 163	
312-756D .....	53, 173	386083 .....191		509063854 .....183, 187, 189		800-094C .....41, 125, 161, 249	
312-759D .....	53, 173	386088 .....71, 193		509083855 .....63, 67, 69		800-117C .....31, 121, 151, 245	
312209 .....	65, 71, 193	386083 .....71, 193		510050351 .....59, 81, 177, 205		800-136C .....39, 43, 159, 163	
312410 .....	61, 85, 181, 185, 191, 209	386083 .....71, 193		511060051 .....187, 189		801-018C .....41, 161	
315892 .....	85, 209	386345 .....71		511080051 .....67, 69		801-023C .....113, 119, 237, 243	
320527 .....	79, 203	386427 .....61, 181		515210311 .....77, 201			

## Table of Contents    Part Number Index



# Part Number Index (continued)

Part Number	Page	Part Number	Page	Part Number	Page	Part Number	Page
802-004C	13, 23, 133, 143		163, 165, 167,		41, 43, 45, 47,	810-146C	115, 239
802-007C	13, 15, 17, 19,		169, 171, 173		49, 51, 53, 133,	810-149C	117, 241
	23, 25, 27, 29,	803-022C	119, 243		135, 137, 139,	810-150C	31, 109, 111,
	133, 135, 137,	803-029C	39, 43, 159, 163		143, 145, 147,		113, 121, 151,
	139, 143, 145,	803-038C	17, 19, 23, 25,		159, 161, 163,		233, 235, 237,
	147, 149		33, 35, 37, 137,		165, 167, 169,		245
802-014C	33, 35, 37, 153,		139, 143, 145,	804-022C	13, 15, 17, 19,	810-152C	123, 247
	155, 157		153, 155, 157		133, 135, 137,	810-162C	41, 115, 117,
802-017C	13, 15, 17, 19,	803-049C	33, 35, 37, 153,		139		119, 125, 161,
	25, 27, 29, 133,		155, 157	804-028C	33, 35, 37, 153,		239, 241, 243,
	135, 137, 139,	803-078C	45, 47, 49, 51,		155, 157	810-167C	107, 231
	145, 147, 149		165, 167, 169,	804-029C	21, 33, 35, 37,	810-177C	111, 235
802-047C	43, 163		171		141, 153, 155,	810-178C	109, 233
802-050C	13, 15, 17, 19,	803-079C	211		157	810-402C	107, 231
	133, 135, 137,	803-081C	35, 37, 155, 157	804-036C	19, 139	811-008C	107, 231
	139	803-095C	13, 15, 17, 19,	804-039C	35, 37, 155, 157	811-021C	123, 247
802-051C	13, 133		23, 25, 27, 29,	804-049C	21, 141	811-056C	31, 121, 151, 245
802-066C	13, 15, 17, 19,		89, 133, 135,	804-055C	39, 43, 159, 163	811-062C	31, 121, 151, 245
	23, 25, 27, 29,		137, 139, 143,	804-067C	11, 131	811-063C	41, 125, 161, 249
	133, 135, 137,		145, 147, 149,	804-070C	13, 15, 17, 19,	811-088C	123, 247
	139, 143, 145,		223		23, 25, 27, 29,	811-180C	31, 121, 151, 245
	147, 149	803-147C	39, 43, 159, 163		89, 133, 135,	811-290C	107, 231
802-074C	33, 153	803-169C	23, 25, 27, 29,		137, 139, 143,	811-353C	41, 125, 161, 249
802-076C	33, 35, 37, 153,		41, 43, 143, 145,		145, 147, 149,	811-356C	31, 121, 151, 245
	155, 157		147, 149, 161,		211, 223	811-357C	121, 245
802-079C	45, 47, 49, 51,	803-170C	11, 131	804-158C	103	811-358C	107, 123, 231,
	89, 97, 105, 165,	803-200C	39, 43, 159, 163	804-159C	61		247
	167, 169, 171,	803-231C	19, 29, 139, 149	805-002C	21, 141	811-359C	107, 231
	211, 219, 223,	803-299C	13, 15, 17, 19,	805-004C	21, 141	811-360C	107, 123, 231,
	229		23, 25, 27, 29,	805-010C	15, 17, 25, 27,		247
802-091C	13, 15, 17, 19,		133, 135, 137,		135, 137, 145,	811-361C	31, 121, 151, 245
	89, 133, 135,		139, 143, 145,		147	811-394C	31, 121, 125,
	137, 139, 211,		147, 149	805-016C	13, 23, 39, 43,		151, 245, 249
	223	804-006C	13, 41, 133, 161		133, 143, 159,	812-129C	33, 153
802-092C	41, 161	804-007C	13, 23, 133, 143	805-017C	13, 15, 17, 19,	814-059C	39, 43, 159, 163
802-104C	39, 43, 159, 163	804-009C	13, 15, 17, 19,		23, 25, 27, 29,	814-066C	39, 43, 159, 163
802-115C	39, 43, 159, 163		23, 25, 27, 29,		23, 25, 27, 29,	814-086C	39, 43, 159, 163
802-128C	41, 43, 161, 163		41, 133, 135,		89, 91, 99, 103,	814-087C	39, 43, 159, 163
802-154C	39, 159		137, 139, 143,		133, 135, 137,	814-088C	39, 43, 159, 163
802-159C	19, 29, 139, 149		145, 147, 149,		139, 143, 145,	814-089C	39, 43, 159, 163
802-181C	23, 25, 143, 145		161		147, 149, 211,	814-119C	39, 43, 159, 163
802-205C	33, 153	804-010C	23, 25, 27, 29,		213, 221, 223,	815-093C	39, 159
802-214C	23, 25, 27, 29,		143, 145, 147,		225	816-098C	39, 43, 159, 163
	45, 47, 49, 51,		149	805-032C	21, 141	816-121C	45, 47, 165, 167
	53, 143, 145,	804-012C	13, 19, 29, 33,	805-063C	45, 49, 165, 169	816-122C	49, 51, 169, 171
	147, 149, 165,		35, 37, 45, 47,	805-067C	17, 27, 137, 147	816-123C	21, 141
	167, 169, 171,		49, 51, 133, 139,	805-069C	15, 25, 135, 145	816-124C	31, 151
	173		149, 153, 155,	805-104C	21, 23, 25, 27,	818-045C	127, 251
802-235C	17, 19, 35, 37,		157, 165, 167,		29, 31, 41, 141,	818-055C	41, 127, 161, 251
	137, 139, 155,		169, 171		143, 145, 147,	818-130C	127, 251
	157	804-013C	13, 15, 17, 19,		149, 151, 161	818-162C	127, 251
802-240C	39, 43, 159, 163		25, 27, 29, 33,	805-125C	31, 151	818-163C	127, 251
802-269C	39, 159		35, 37, 89, 97,	805-131C	21, 141	818-190C	127, 251
802-277C	11, 131		133, 135, 137,	805-136C	13, 15, 17, 19,	818-229C	127, 251
802-341C	9, 129		139, 145, 147,		45, 47, 49, 51,	818-230C	127, 251
802-342C	21, 141		149, 153, 155,		53, 133, 135,	818-240C	127, 251
802-349C	9, 129		157, 211, 219,		137, 139, 165,	818-268C	127, 251
802-374C	9, 129		223		167, 169, 171,	818-276C	127, 251
802-379C	39, 43, 159, 163	804-015C	9, 13, 15, 17, 19,		173	818-321C	127, 251
803-005C	41, 161		23, 25, 27, 39,	805-137C	31, 151	818-423C	127, 251
803-006C	13, 21, 23, 133,		41, 43, 45, 47,	805-145C	23, 25, 27, 29,	818-426C	127, 251
	141, 143		49, 51, 53, 89,		41, 143, 145,	818-427C	127, 251
803-008C	29, 41, 149, 161		129, 133, 135,		147, 149, 161	818-440C	127, 251
803-011C	39, 43, 159, 163		137, 139, 143,	805-164C	31, 151	818-488C	127, 251
803-014C	13, 113, 133, 237		145, 147, 159,	806-072C	23, 25, 143, 145	818-540C	61, 65, 71, 85,
803-020C	13, 15, 17, 19,		161, 163, 165,	807-006C	39, 159		127, 181, 185,
	23, 25, 27, 41,		167, 169, 171,	807-023C	33, 35, 37, 153,		191, 193, 209,
	43, 45, 47, 49,		173, 211, 223		155, 157		251
	51, 53, 133, 135,	804-016C	13, 15, 17, 19,	807-026C	17, 19, 21, 137,		
	137, 139, 143,		23, 25, 27, 39,		139, 141		
	145, 147, 161,						



# Part Number Index (continued)

Part Number	Page	Part Number	Page	Part Number	Page
818-552C	61, 65, 71, 85, 127, 181, 185, 191, 193, 209, 251	826-113C	175, 185	dwg11622	57
818-554C	127, 251	826-114C	55, 61	dwg12381	85, 209
818-555C	127, 251	826-115C	175, 181	dwg12384	61
818-556C	127, 251	826-116C	55, 85, 175, 209	dwg12386	185
818-557C	127, 251	826-117C	55, 71	dwg12387	65
818-559C	127, 251	826-118C	175, 191	dwg12389	199
818-561C	127, 251	826-222C	19, 29, 139, 149	dwg13163	35, 155
818-564C	127, 251	826-241C	23, 25, 27, 29, 99, 101, 103, 105, 143, 145, 147, 149	dwg13164	17, 137
818-591C	127, 251	826-242C	13, 15, 17, 19, 97, 133, 135, 137, 139	dwg13170	13, 133
818-592C	127, 251	826-244C	175, 193	dwg13171	43, 163
818-681C	127, 251	826-253C	13, 15, 17, 19, 133, 135, 137, 139, 219	dwg13189	39, 159
818-830C	127, 251	826-254C	23, 25, 27, 29, 143, 145, 147, 149, 227, 229	dwg13870	95
819-036C	127, 251	826-376C	13, 15, 17, 19, 23, 25, 27, 29, 87, 133, 135, 137, 139, 143, 145, 147, 149	dwg13898	99
820-090C	9, 129	826-476C	55, 73	dwg14066	191
820-091C	9, 129	826-477C	175, 195	dwg14067	193
820-092C	9, 129	826-490C	101, 227	dwg14087	19, 139
820-112C	11, 131	826-497C	105, 229	dwg14088	31, 151
820-137C	11, 131	890-005C	21, 39, 141, 159	dwg14089	29, 149
820-193C	11, 131	890-143C	39, 159	dwg14090	41, 161
820-209C	11, 131	890-153C	41, 161	dwg14092	47, 167
822-091C	39, 43, 159, 163	890-175C	13, 15, 17, 45, 49, 51, 133, 135, 137, 165, 169, 171	dwg14093	51, 171
822-092C	39, 43, 159, 163	890-177C	41, 161	dwg14094	53, 173
826-035C	13, 15, 17, 19, 23, 25, 27, 29, 89, 133, 135, 137, 139, 143, 145, 147, 149	890-182C	33, 35, 37, 153, 155, 157	dwg14095	121, 245
826-038C	23, 25, 27, 29, 143, 145, 147, 149, 223	890-196C	33, 35, 153, 155	dwg14096	125, 249
826-060C	13, 15, 17, 19, 133, 135, 137, 139, 211	890-220C	9, 129	dwg14097	123, 247
826-068C	13, 15, 17, 19, 93, 95, 133, 135, 137, 139	890-231C	9, 129	dwg14098	127, 251
826-069C	13, 15, 17, 19, 23, 25, 27, 29, 91, 133, 135, 137, 139, 143, 145, 147, 149	890-246C	35, 37, 155, 157	dwg14304	33, 153
826-070C	23, 25, 27, 29, 99, 143, 145, 147, 149	890-400C	17, 19, 47, 53, 137, 139, 167, 173	dwg14315	23, 143
826-072C	13, 15, 17, 19, 133, 135, 137, 139, 215, 217	90015	229	dwg14327	11, 131
826-073C	23, 25, 27, 29, 143, 145, 147, 149, 221	90055	105	dwg14331	93
826-074C	13, 15, 17, 19, 133, 135, 137, 139, 213	90073	105, 229	dwg14332	25, 145
826-075C	23, 25, 27, 29, 143, 145, 147, 149, 225	dwg10247	91	dwg14366	67
826-076C	55, 67	dwg11027	9, 129	dwg14370	187
826-077C	175, 187	dwg11028	15, 135	dwg14761	55, 175
826-078C	55, 59, 175, 177	dwg11029	21, 141	dwg15739	211, 223
826-079C	55, 81, 175, 205	dwg11030	27, 147	dwg16456	97
826-083C	55, 63	dwg11033	37, 157	dwg16458	105
826-084C	175, 183	dwg11084	49, 169	dwg21186	87
826-094C	55, 57	dwg11113	75, 197	dwg23829	79, 203
826-095C	175, 179	dwg11114	59, 177	dwg23947	73
826-096C	55, 83, 175, 207	dwg11115	189	dwg23948	195
826-098C	55, 69	dwg11137	69	dwg25626	103
826-099C	175, 189	dwg11138	81, 205	dwg25899	113, 237
826-112C	55, 65	dwg11139	63	dwg25900	119, 243
		dwg11196	107, 231	dwg26640	229
		dwg11421	109, 111, 115, 117, 233, 235, 239, 241	dwg26852	183
		dwg11534	77, 201	dwg26854	181
		dwg11589	45, 165	dwg26857	71
		dwg11620	83, 207	dwg26944	221
		dwg11621	179	dwg26945	213
				dwg26947	217, 225
				dwg26949	215
				dwg26951	89
				dwg26954	219
				dwg27556	101
				dwg27557	227
				N/A	113, 119, 237, 243



***This Page Intentionally Left Blank***



Great Plains Manufacturing, Inc.

Corporate Office: P.O. Box 5060  
Salina, Kansas 67402-5060 USA

[www.landpride.com](http://www.landpride.com)

## Free Manuals Download Website

<http://myh66.com>

<http://usermanuals.us>

<http://www.somanuals.com>

<http://www.4manuals.cc>

<http://www.manual-lib.com>

<http://www.404manual.com>

<http://www.luxmanual.com>

<http://aubethermostatmanual.com>

Golf course search by state

<http://golfingnear.com>

Email search by domain

<http://emailbydomain.com>

Auto manuals search

<http://auto.somanuals.com>

TV manuals search

<http://tv.somanuals.com>