

Baffle and Shredder Kits



For RC(M)5020 Rotary Cutters

Manual No. 330-148M

Before You Start



When you see this symbol, the subsequent instructions and warnings are serious - follow without exception. Your life and the lives of others depend on it!

IMPORTANT: Before you begin, read these instructions and check to be sure all parts and tools are accounted for. Please retain these installation instructions for future reference and parts ordering information.

The Baffle Kit and Shredder Kit are exclusively designed for your 20 foot Land Pride Rotary Cutter. Please read these installation instructions and your Rotary Cutter Operator's Manual thoroughly before beginning. Especially read information relating to safety concerns. Also included in the Operator's Manual is important information on operation, adjustment, troubleshooting, and maintenance for this attachment (some manual sections do not apply to all accessories).

A separate Rotary Cutter Parts Manual is available free of charge at www.landpride.com or can be purchased from your nearest Land Pride dealer. Have the model and serial numbers of your cutter handy when placing an order.

Manual Part Numbers:

- Operator's Manual 318-474M
- Parts Manual 318-474P

General Information

These assembly instructions apply to the Baffle and Shredder Kits listed below:

- 330-114A RC/RCM5020 BAFFLE KIT**
- 318-958A RC/RCM5020 SHREDDER KIT**

Tools required:

- Safety Glasses
- Work Gloves
- Tape measure Baffle Kit Only
- Pencil Baffle Kit Only
- Center Punch Baffle Kit Only
- Hammer Baffle Kit Only
- Drill with 9/16" Drill Bit Baffle Kit Only
- Extension Cord if required
- Two 3/4" wrenches Baffle Kit Only
- Two 1 1/2" wrenches Shredder Kit Only
- One 55mm wrench Shredder Kit Only

Safety Information



WARNING

Never work under equipment supported by hydraulics. Hydraulics can drop equipment if controls are actuated or if hydraulic lines burst. Either situation can drop the cutter instantly even when power to the hydraulics is shut off.



DANGER

Always disconnect main driveline from tractor PTO before servicing the cutter deck. Cutter can be engaged if tractor is started resulting in damage to the cutter, bodily injury and/or death.

Baffle Assembly Instructions

A detailed listing of parts for the Baffle and Shredder Kits is provided on page 6. Use the list as a checklist to inventory parts received. Please contact your local Land Pride dealer for any missing hardware.

IMPORTANT: Read "Safety Information" above before installing baffle plates.

1. Lower cutter and wings to the lowest position.
2. Place tractor gear selector in park and/or set brakes, shut engine off and remove ignition key.
3. Disconnect main driveline from tractor PTO.

Refer to Figure 1 on page 2:

4. Locate and drill twelve 9/16" dia. holes on each wing deck as shown in Figure 1.

NOTE: Drilling holes is not necessary on models manufactured after serial # 536743.

5. The wings can be raised and locked into position for the remainder of the assembly.

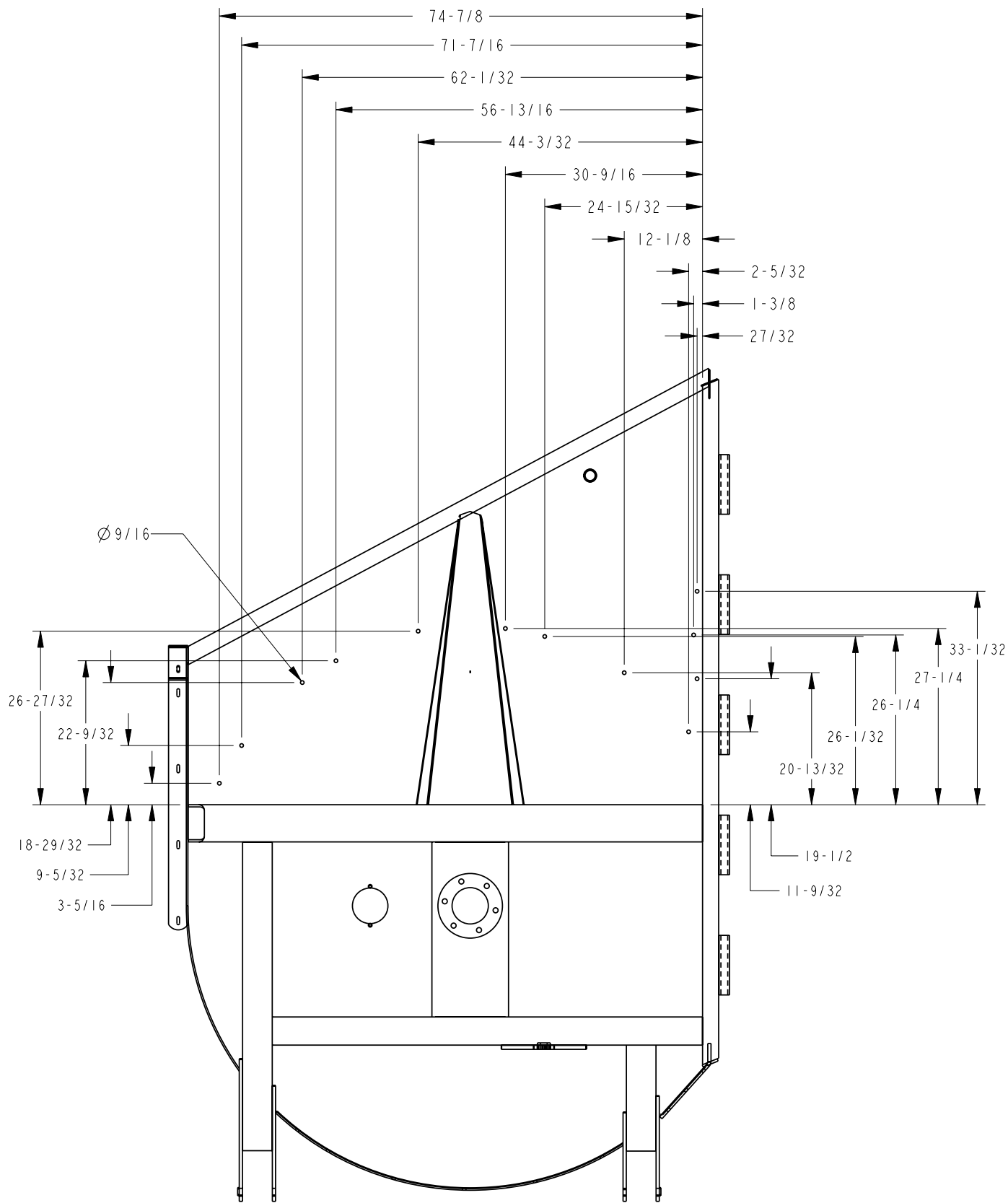
Refer to Figure 2 on page 3:

6. Attach the four front baffles (#4) to each wing deck with 1/2"-13 x 1 1/2" GR5 hex head bolts (#5), 1/2" flat washers (#7) and 1/2" hex whiz nut (#6).
7. Torque nuts to 76 ft-lbs.

IMPORTANT: The rear baffle is installed with the same bolts attaching the rear guard. **Do not** remove rear guard.

8. Remove nuts securing the rear guard and attach rear baffle plate (#1) to the inside of the rear deck plate using existing hex whiz nuts. **Do not** remove rear guard.

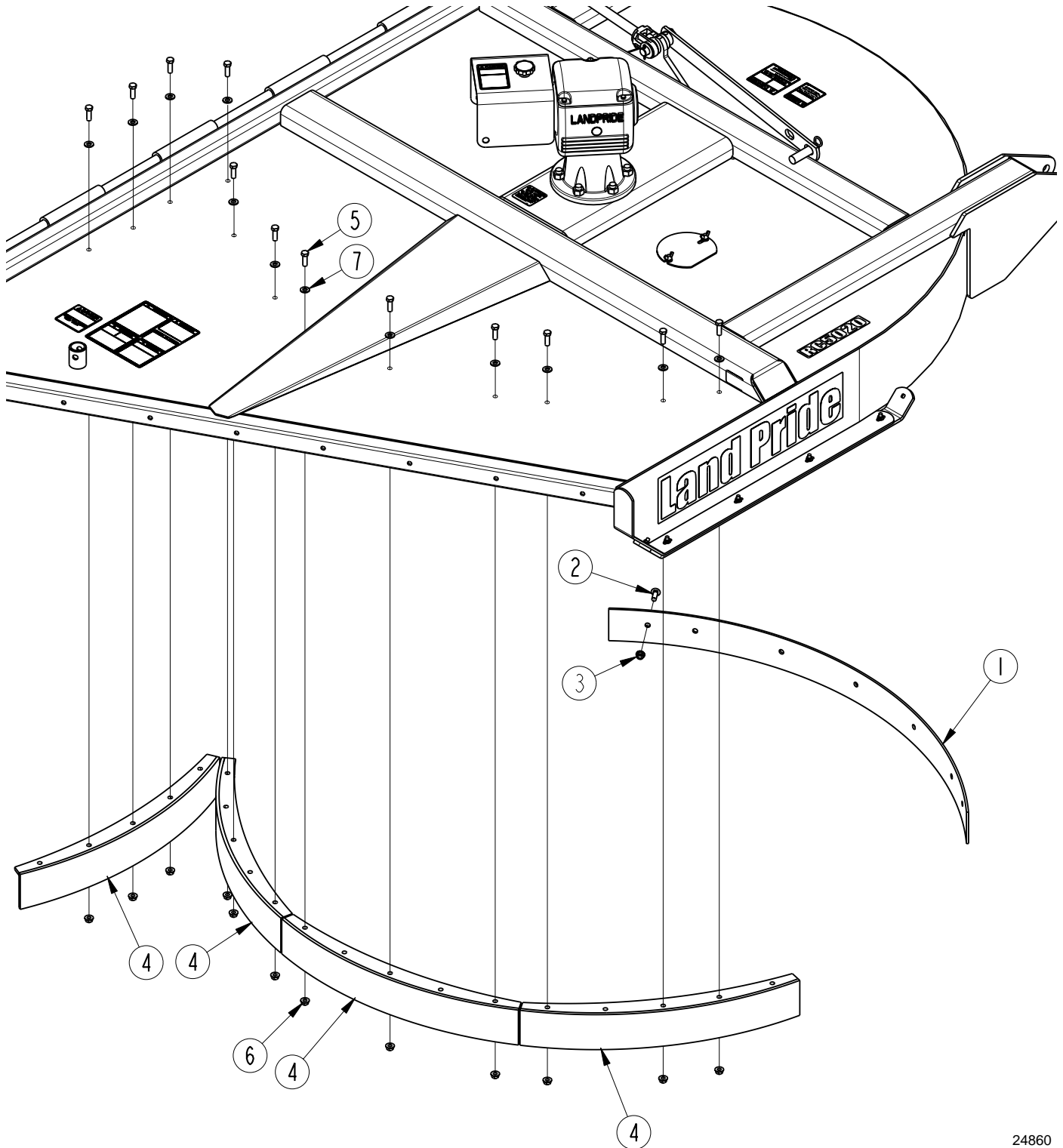
Baffle Assembly Instructions



Bolt Hole Pattern (Left Wing Shown)
Figure 1

Baffle Assembly Instructions

9. Install 1/2"-13 x 1 1/2" GR5 round head square neck bolt (#2) and 1/2" hex whiz nut (#6) as shown in Figure 2.
10. Torque nuts to 76 ft-lbs.



Baffle Installation (Left Wing Shown)
Figure 2

24860

Shredder Assembly Instructions

Shredder Assembly Instructions

A detailed listing of parts for this accessory kit is provided on page 6. Use the list as a checklist to inventory parts received. Please contact your local Land Pride dealer for any missing hardware.

IMPORTANT: Read "Safety Information" on page 1 before installing shredder blades.

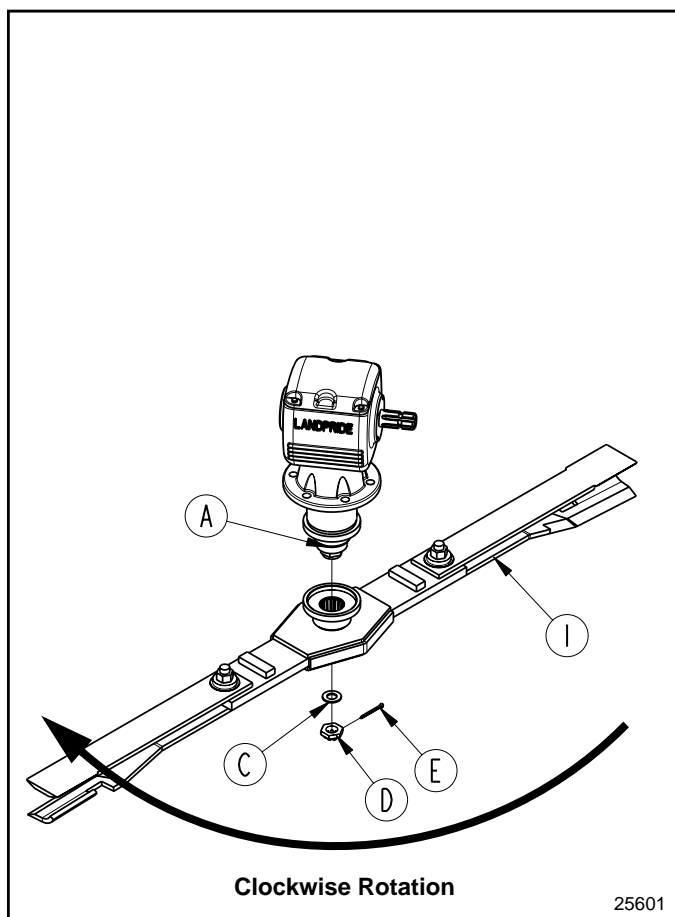
Refer to Figure 3:

1. Remove all three existing blade carrier assemblies from the gearbox output shafts (A & B). Keep flat washers (C), slotted hex nuts (D) and cotter pins (E) for reuse.

Right Wing Shredder Assembly

Refer to Figure 3:

1. Attach right wing shredder assembly (#1) to gearbox output shaft (A) with existing washer (C) and slotted hex nut (D). Torqued slotted nut to 550 ft./lbs.
2. Install cotter pin (E) in the slotted nut with legs securely bent around the nut.

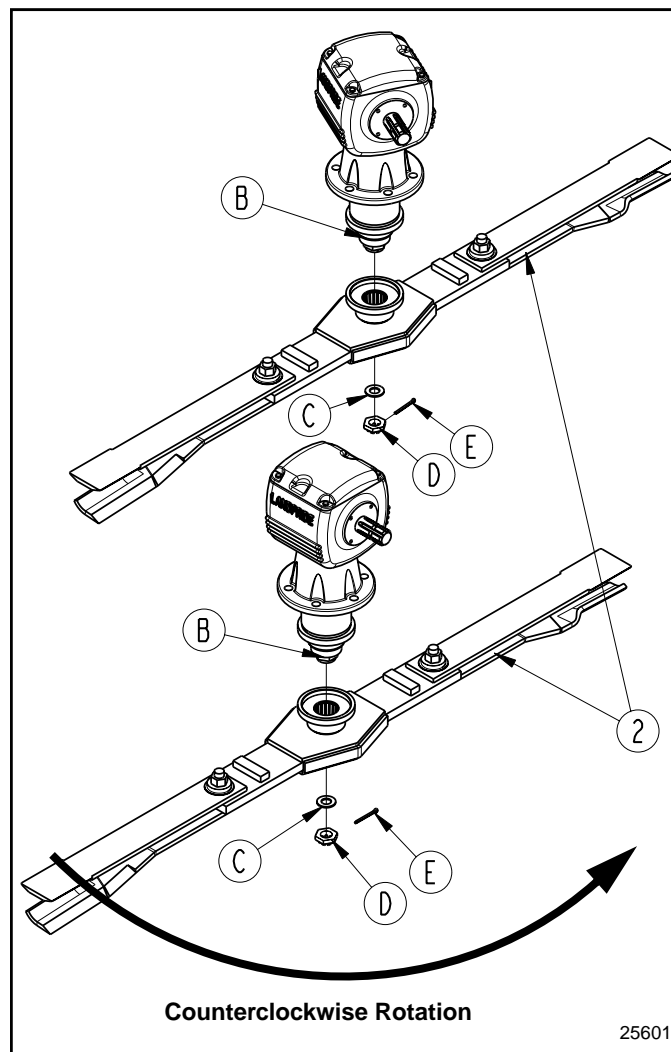


Right Wing Shredder Assembly
Figure 3

Center Deck & Left Wing Shredder Assy

Refer to Figure 4:

1. Attach center deck and left wing shredder assemblies (#2) to gearbox output shafts (B) with existing washer (C) and slotted hex nut (D). Torqued slotted nut to 550 ft./lbs.
2. Install cotter pin (E) in the slotted nut with legs securely bent around the nut.



Center Deck & Left Wing Shredder Assemblies
Figure 4

Shredder Assembly Instructions

Replacing Blade Spacers

Refer to Figure 5:

The cutting blades should not have more than 3/4" free vertical movement at the blade tips. If vertical movement exceeds 3/4", install or change to thicker spacers (#3) following steps 1 through 5.

Order spacers (#3) and locknuts (#7) from your nearest Land Pride Dealer.

IMPORTANT: Read "Safety Information" on page 1 before disassembling the shredder blades.

IMPORTANT: Locknuts can lose their ability to lock properly once removed. Always use a plain throw away nut during pre-assembly of spacers.

IMPORTANT: Spacers (#3) are not required if vertical movement at blade tip is 3/4" or less without spacers. However, spacers are required if vertical movement at blade tip is greater than 3/4".

1. Check blade deflection. If vertical deflection at the blade tip is greater than 3/4", remove blade bolt (#6) and reassemble using thicker spacers (#3). Select spacer thickness based on deflection. The greater the deflection, the thicker the spacer.
2. Assemble blades by inserting 1"-8 x 4 1/2" GR8 hex head bolt (#6) through blade bushing (#4), spacer (#3), lower cutting blade (#8 or #10), blade carrier (#5), upper flat cutting blade (#9), spacer (#3) and blade bushings (#4). Temporary secure blade with a plain hex nut (Plain hex nut furnished by customer.) **Draw nut up snug. Do not tighten.**
3. Check blade deflection. If deflection at the blade tips are greater than 3/4", remove blade bolt and reassemble as before except use thicker spacers.
4. Once blade deflection is correct, **replace plain nut with supplied locknut (#7) & torque to 450 ft-lbs.**
5. Repeat instructions for "Replacing Blade Spacers" for the remaining shredder blade assemblies.

25600

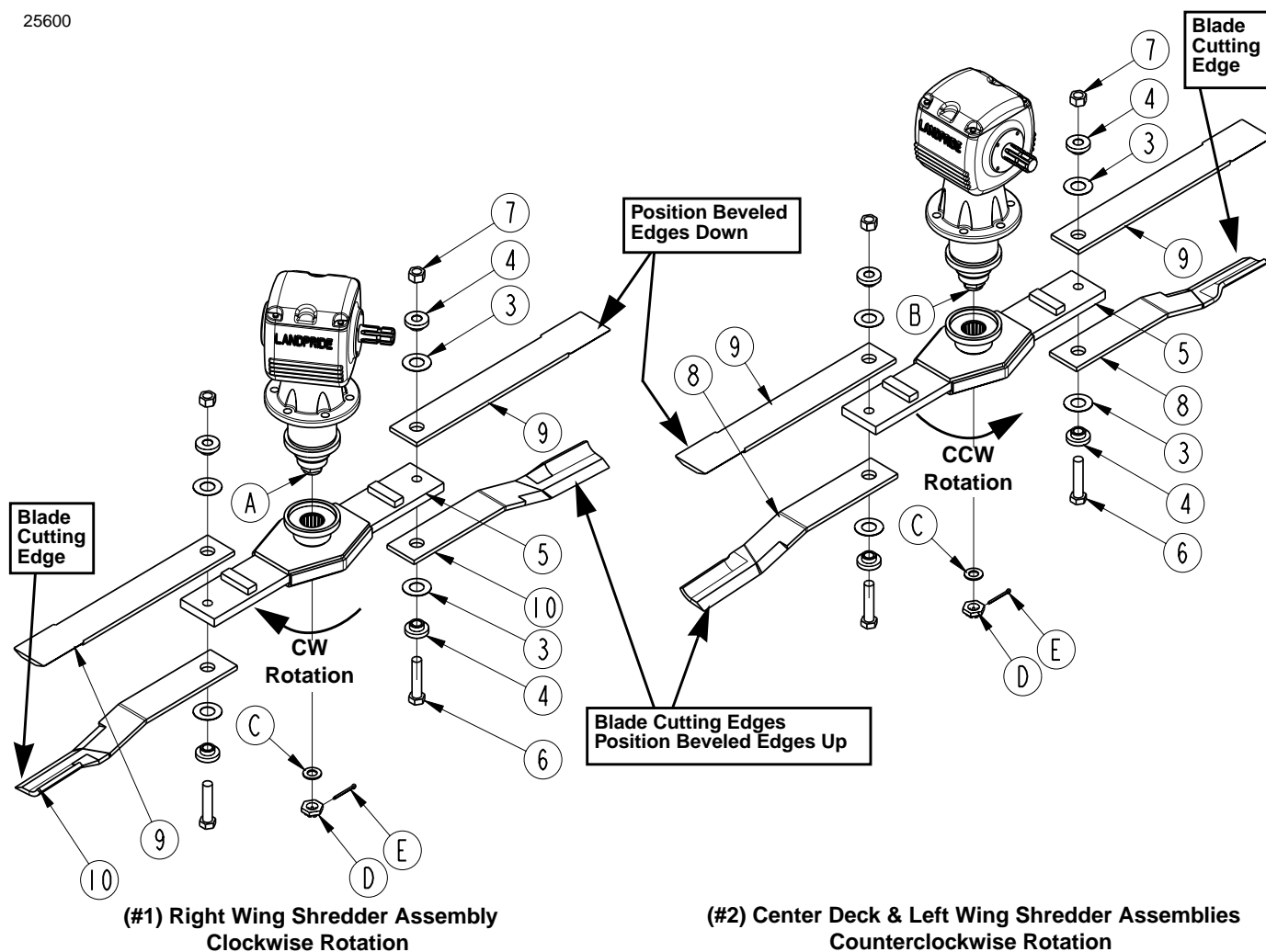


Figure 5

Listing of Parts

Kit No. 330-114A

RC5020 BAFFLE ASSEMBLY KIT

Item	Qty.	Part No.	Part Description
Refer to Figure 2 on page 3:			
	1	330-148M	BAFFLE KIT INSTALLATION MANUAL
1	2	318-769D	PLATE, REAR BAFFLE
2	2	802-106C	RHSNB 1/2-13X1 1/2 GR5
3	2	803-037C	NUT HEX WHIZ 1/2-13 PLT
4	8	330-095H	BAFFLE 5020
5	24	802-091C	HHCS 1/2-13X1 1/2 GR5
6	24	803-037C	NUT HEX WHIZ 1/2-13 PLT
7	24	804-016C	WASHER FLAT 1/2 SAE PLT

Kit No. 318-958A

RC5020 SHREDDER ASSEMBLY, COMER

Item	Qty.	Part No.	Part Description
Refer to Figure 3 & Figure 4 on page 4:			
	1	330-148M	BAFFLE KIT INSTALLATION MANUAL
1	1	318-859S	ASSY. CW BLADE CARRIER 84"
2	2	318-860S	ASSY. CCW BLADE CARRIER 84"
Refer to Figure 5 on page 5:			
(#1) Components for 318-859S CW Blade Assembly (Quantities shown are for one Assembly)			
3	4	312-075D	BLADE SPACER 16 GA
3	4	312-082D	BLADE SPACER 18 GA
3	4	312-089D	BLADE SPACER 20 GA.
3	4	312-808D	BLADE SPACER 24GA
4	4	318-309D	BLADE BUSHING
5	1	330-209H	BLADE BAR
6	2	802-680C	HHCS 1-8 X 4 1/2 PLT GR8
7	2	803-168C	NUT HEX TOP LOCK 1-8 PLT
9	2	820-216C	CUTTER BLADE 1/2X4X28.5 FLAT
10	2	820-249C	CUTTER BLADE 1/2X4X29 CW
			A maximum of four spacers are used per assembly.
Refer to Figure 5 on page 5:			
(#2) Components for 318-860S CCW Blade Assembly (Quantities shown are for one Assembly)			
3	4	312-075D	BLADE SPACER 16 GA
3	4	312-082D	BLADE SPACER 18 GA
3	4	312-089D	BLADE SPACER 20 GA.
3	4	312-808D	BLADE SPACER 24GA
4	4	318-309D	BLADE BUSHING
5	1	330-209H	BLADE BAR
6	2	802-680C	HHCS 1-8 X 4 1/2 PLT GR8
7	2	803-168C	NUT HEX TOP LOCK 1-8 PLT
8	2	820-168C	CUTTER BLADE 1/2X4X29 CCW
9	2	820-216C	CUTTER BLADE 1/2X4X28.5 FLAT
			A maximum of four spacers are used per assembly.



Corporate Office: P.O. Box 5060
Salina, Kansas 67402-5060 USA
www.landpride.com

Free Manuals Download Website

<http://myh66.com>

<http://usermanuals.us>

<http://www.somanuals.com>

<http://www.4manuals.cc>

<http://www.manual-lib.com>

<http://www.404manual.com>

<http://www.luxmanual.com>

<http://aubethermostatmanual.com>

Golf course search by state

<http://golfingnear.com>

Email search by domain

<http://emailbydomain.com>

Auto manuals search

<http://auto.somanuals.com>

TV manuals search

<http://tv.somanuals.com>