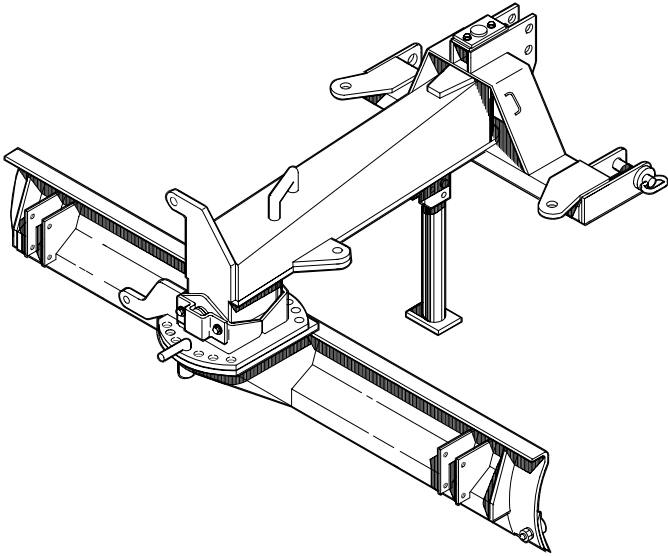


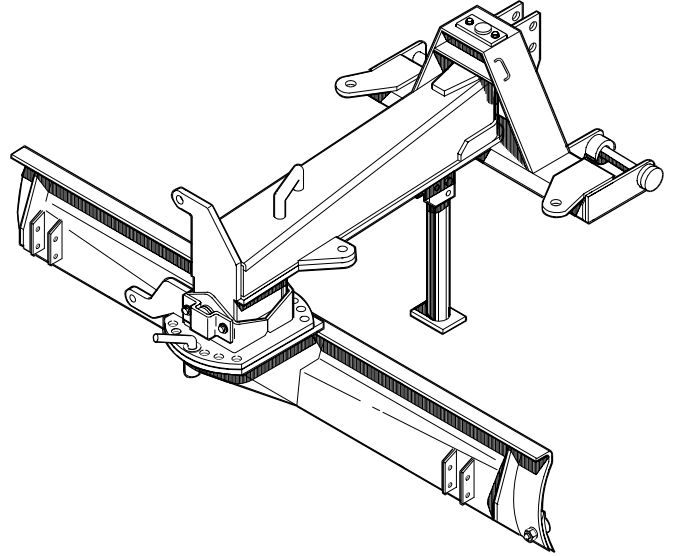
# Rear Blade

RB4596, RB45108 & RB5596



**Model RB45**

10347



**Model RB55**

10351

## 301-133M Operator's Manual



Read the Operator's manual entirely. When you see this symbol, the subsequent instructions and warnings are serious - follow without exception. Your life and the lives of others depend on it!

© Copyright 2007 Printed 5/21/07

*Cover photo may show optional equipment not supplied with standard unit.*



## Table of Contents

<b>Important Safety Information</b> . . . . .	<b>1</b>	<b>Section 3: Operating Procedures</b> . . . . .	<b>11</b>
Safety at All Times . . . . .	1	Operating Check List . . . . .	11
Look For The Safety Alert Symbol . . . . .	1	Transporting . . . . .	11
Safety Labels . . . . .	4	Basic Operating Instructions . . . . .	11
<b>Introduction</b> . . . . .	<b>5</b>	General Operating Instructions . . . . .	12
Application . . . . .	5	<b>Section 4: Options</b> . . . . .	<b>13</b>
Using This Manual . . . . .	5	Skid Shoes . . . . .	13
Owner Assistance . . . . .	5	<b>Section 5: Maintenance and Lubrication</b> . . . . .	<b>14</b>
<b>Section 1: Assembly and Setup</b> . . . . .	<b>6</b>	Maintenance . . . . .	14
RB45 & RB55 Rear Blade . . . . .	6	Lubrication . . . . .	14
Tractor Hook-Up . . . . .	7	Moldboard and Blade . . . . .	14
RB55 3-Point Hitch Settings . . . . .	7	Pivot Shaft . . . . .	14
Category II Standard Hitch: . . . . .	7	<b>Section 6: Specifications &amp; Capacities</b> . . . . .	<b>15</b>
Category II Quick Hitch: . . . . .	7	<b>Section 7: Features and Benefits</b> . . . . .	<b>16</b>
Category III Standard Hitch: . . . . .	7	<b>Section 8: Appendix</b> . . . . .	<b>18</b>
Blade Offset Cylinder . . . . .	8	Torque Values Chart . . . . .	18
Blade Tilting Cylinder . . . . .	8	Warranty . . . . .	19
Manual Blade Offset . . . . .	9		
Manual Blade Tilting . . . . .	9		
Skid Shoe Option . . . . .	9		
<b>Section 2: Adjustments</b> . . . . .	<b>10</b>		
Blade Pitch . . . . .	10		
Blade Angling and Reversing . . . . .	10		
Blade Tilt . . . . .	10		
Manual Tilt Adjustment . . . . .	10		
Hydraulic Tilt Adjustment . . . . .	10		
RB45 Blade Offset . . . . .	10		
Manual Blade Offset . . . . .	10		
Hydraulic blade Offset with 16" stroke cylinder . . . . .	10		
Hydraulic blade Offset with 14" stroke cylinder . . . . .	10		
RB55 Blade Offset . . . . .	10		
Manual Blade Offset . . . . .	10		
Hydraulic blade Offset with 16" stroke cylinder . . . . .	10		
Hydraulic blade Offset with 14" stroke cylinder . . . . .	10		

© Copyright 2007 All rights Reserved

Land Pride provides this publication "as is" without warranty of any kind, either expressed or implied. While every precaution has been taken in the preparation of this manual, Land Pride assumes no responsibility for errors or omissions. Neither is any liability assumed for damages resulting from the use of the information contained herein. Land Pride reserves the right to revise and improve its products as it sees fit. This publication describes the state of this product at the time of its publication, and may not reflect the product in the future.

Land Pride is a registered trademark.

All other brands and product names are trademarks or registered trademarks of their respective holders.

Printed in the United States of America.

**Important Safety Information**

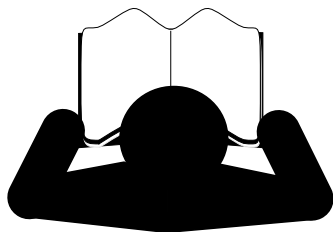
These are common practices that may or may not be applicable to the products described in this manual.

**Safety at All Times**

Thoroughly read and understand the instructions given in this manual before operation. Refer to the "Safety Label" section, read all instructions noted on them.

Do not allow anyone to operate this equipment who has not fully read and comprehended this manual and who has not been properly trained in the safe operation of the equipment.

- ▲ Operator should be familiar with all functions of the unit.
- ▲ Operate implement from the driver's seat only.
- ▲ Do not leave tractor or implement unattended with engine running.
- ▲ Dismounting from a moving tractor could cause serious injury or death.
- ▲ Do not stand between the tractor and implement during hitching.
- ▲ Keep hands, feet, and clothing away from power-driven parts.
- ▲ Wear snug fitting clothing to avoid entanglement with moving parts.
- ▲ Watch out for wires, trees, etc., when raising implement. Make sure all persons are clear of working area.
- ▲ Turning tractor too tight may cause implement to ride up on wheels. This could result in injury or equipment damage.



**Look For The Safety Alert Symbol**

The SAFETY ALERT SYMBOL indicates there is a potential hazard to personal safety involved and extra safety precaution must be taken. When you see this symbol, be alert and carefully read the message that follows it. In addition to design and configuration of equipment, hazard control and accident prevention are dependent upon the awareness, concern, prudence and proper training of personnel involved in the operation, transport, maintenance and storage of equipment.

**Be Aware of Signal Words**

A Signal word designates a degree or level of hazard seriousness. The signal words are:

**⚠ DANGER**

Indicates an imminently hazardous situation which, if not avoided, will result in death or serious injury. This signal word is limited to the most extreme situations, typically for machine components that, for functional purposes, cannot be guarded.

**⚠ WARNING**

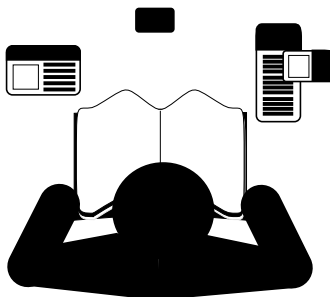
Indicates a potentially hazardous situation which, if not avoided, could result in death or serious injury, and includes hazards that are exposed when guards are removed. It may also be used to alert against unsafe practices.

**⚠ CAUTION**

Indicates a potentially hazardous situation which, if not avoided, may result in minor or moderate injury. It may also be used to alert against unsafe practices.

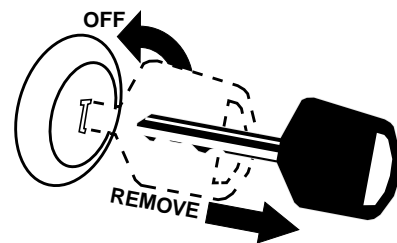
**For Your Protection**

- ▲ Thoroughly read and understand the "Safety Label" section, read all instructions noted on them.



**Shutdown and Storage**

- ▲ Lower machine to ground, put tractor in park, turn off engine, and remove the key.
- ▲ Detach and store implements in a area where children normally do not play. Secure implement by using blocks and supports.

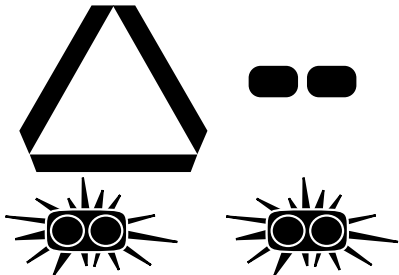


## Important Safety Information

These are common practices that may or may not be applicable to the products described in this manual.

### Use Safety Lights and Devices

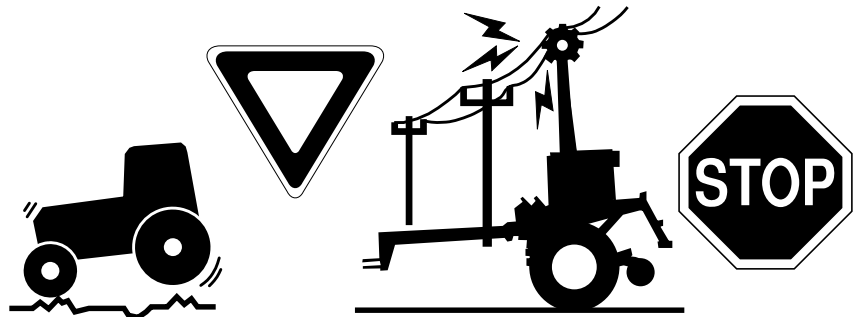
- ▲ Slow moving tractors, self-propelled equipment, and towed implements can create a hazard when driven on public roads. They are difficult to see, especially at night.
- ▲ Flashing warning lights and turn signals are recommended whenever driving on public roads. Use lights and devices provided with implement.



### Transport Machinery Safely

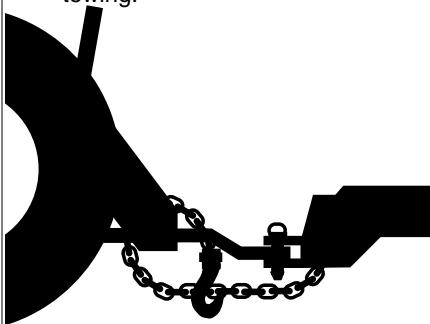
- ▲ Comply with state and local laws.
- ▲ Maximum transport speed for implement is 20 mph. DO NOT EXCEED. Never travel at a speed which does not allow adequate control of steering and stopping. Some rough terrain require a slower speed.
- ▲ Sudden braking can cause a towed load to swerve and upset. Reduce speed if towed load is not equipped with brakes.

- ▲ Use the following maximum speed - tow load weight ratios as a guideline:  
**20 mph** when weight is less than or equal to the weight of tractor.  
**10 mph** when weight is double the weight of tractor.
- ▲ **IMPORTANT:** Do not tow a load that is more than double the weight of tractor.



### Use A Safety Chain

- ▲ A safety chain will help control drawn machinery should it separate from the tractor drawbar.
- ▲ Use a chain with the strength rating equal to or greater than the gross weight of the towed machinery.
- ▲ Attach the chain to the tractor drawbar support or other specified anchor location. Allow only enough slack in the chain to permit turning.
- ▲ Do not use safety chain for towing.



### Practice Safe Maintenance

- ▲ Understand procedure before doing work. Use proper tools and equipment, refer to Operator's Manual for additional information.
- ▲ Work in a clean dry area.
- ▲ Lower the implement to the ground, put tractor in park, turn off engine, and remove key before performing maintenance.

- ▲ Allow implement to cool completely.
- ▲ Do not grease or oil implement while it is in operation.
- ▲ Inspect all parts. Make sure parts are in good condition & installed properly.
- ▲ Remove buildup of grease, oil or debris.
- ▲ Remove all tools and unused parts from implement before operation.

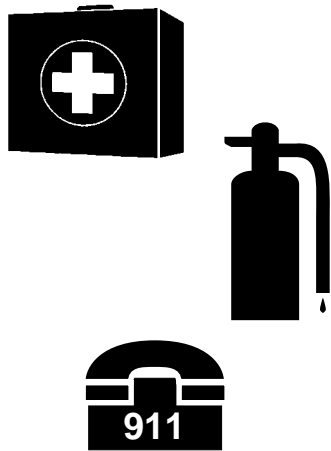


**Important Safety Information**

These are common practices that may or may not be applicable to the products described in this manual.

**Prepare for Emergencies**

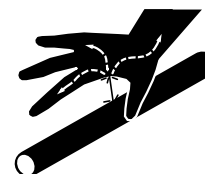
- ▲ Be prepared if a fire starts.
- ▲ Keep a first aid kit and fire extinguisher handy.
- ▲ Keep emergency numbers for doctor, ambulance, hospital and fire department near phone.

**Wear Protective Equipment**

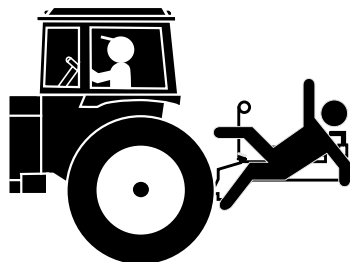
- ▲ Protective clothing and equipment should be worn.
- ▲ Wear clothing and equipment appropriate for the job. Avoid loose fitting clothing.
- ▲ Prolonged exposure to loud noise can cause hearing impairment or hearing loss. Wear suitable hearing protection such as earmuffs or earplugs.
- ▲ Operating equipment safely requires the full attention of the operator. Avoid wearing radio headphones while operating machinery.

**Avoid High Pressure Fluids Hazard**

- ▲ Escaping fluid under pressure can penetrate the skin causing serious injury.
- ▲ Avoid the hazard by relieving pressure before disconnecting hydraulic lines.
- ▲ Use a piece of paper or cardboard, NOT BODY PARTS, to check for suspected leaks.
- ▲ Wear protective gloves and safety glasses or goggles when working with hydraulic systems.
- ▲ If an accident occurs, see a doctor immediately. Any fluid injected into the skin must be treated within a few hours or gangrene may result.

**Keep Riders Off Machinery**

- ▲ Riders obstruct the operator's view, they could be struck by foreign objects or thrown from the machine.
- ▲ Never allow children to operate equipment.



## Important Safety Information

### Safety Labels

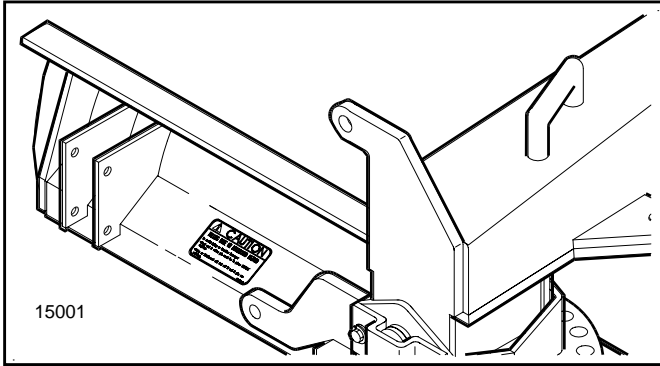
Your Rear Blade comes equipped with all safety labels in place. They were designed to help you safely operate your implement. Read and follow their directions.

1. Keep all safety labels clean and legible.
2. Replace all damaged or missing labels. To order new labels go to your nearest Land Pride dealer or visit our dealer locator at [landpride.com](http://landpride.com).
3. Some new equipment installed during repair requires safety labels to be affixed to the replaced component as

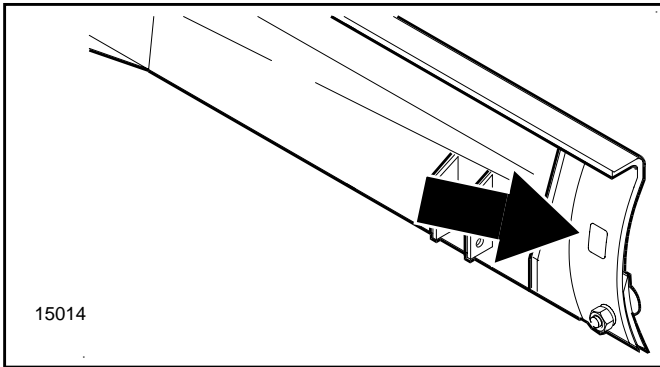
specified by Land Pride. When ordering new components make sure the correct safety labels are included in the request.

4. Refer to this section for proper label placement. To install new labels:

- a. Clean the area the label is to be placed.
- b. Spray soapy water on the surface where the label is to be placed.
- c. Peel backing from label. Press firmly onto the surface.
- d. Squeeze out air bubbles with the edge of a credit card.



**818-202C**  
Caution: Retaining Nut



**818-230C**  
Red reflector (Both ends)

## Introduction

Land Pride welcomes you to the growing family of new product owners.

This implement has been designed with care and built by skilled workers using quality materials. Proper assembly, maintenance, and safe operating practices will help you get years of satisfactory use from the machine.

## Application

Land Pride's RB45 and RB55 Series Rear Blade is built tough from the ground up for applications ranging from landscaping, construction, snow removal, feedlot cleaning and all-around farm use. Available options include single hydraulic gauge wheel, side plates for holding dirt in and skid shoes for blade protection. See "Section 7: Features and Benefits" on page 16 for additional information.

## Using This Manual

- This Operator's Manual is designed to help familiarize you with safety, assembly, operation, adjustments, troubleshooting, and maintenance. Read this manual and follow the recommendations to help ensure safe and efficient operation.
- The information contained within this manual was current at the time of printing. Some parts may change slightly to assure you of the best performance.
- To order a new Operator's or Parts Manual contact your authorized dealer. Manuals can also be downloaded, free-of-charge from our website at [www.landpride.com](http://www.landpride.com) or printed from the Land Pride Service & Support Center by your dealer.

## Terminology

"Right" or "Left" as used in this manual is determined by facing forward in the direction the machine will operate while in use unless otherwise stated.

## Definitions

**NOTE:** A special point of information that the operator must be aware of before continuing.

**IMPORTANT:** A special point of information related to its preceding topic. Land Pride's intention is that this information should be read and noted before continuing.

## Owner Assistance

The Warranty Registration card should be filled out by the dealer at the time of purchase. This information is necessary to provide you with quality customer service.

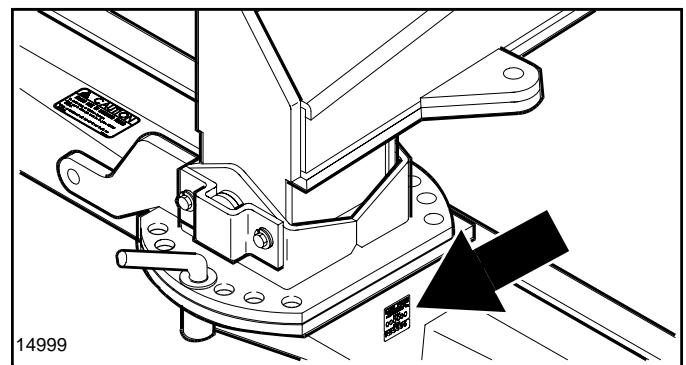
If customer service or repair parts are required contact a

Land Pride dealer. A dealer has trained personnel, repair parts and equipment needed to service the Rear Blade.

The parts on your Rear Blade have been specially designed and should only be replaced with genuine Land Pride parts. Therefore, should your Rear Blade require replacement parts go to your Land Pride Dealer.

## Serial Number Plate

For prompt service always use the serial number and model number when ordering parts from your Land Pride dealer. Be sure to include your serial and model numbers in correspondence also. Refer to Figure 1: for the location of your serial number plate.



Serial Number Location  
Figure 1

## Further Assistance

Your dealer wants you to be satisfied with your new Rear Blade. If for any reason you do not understand any part of this manual or are not satisfied with the service received, the following actions are suggested:

1. Discuss the matter with your dealership service manager making sure he is aware of any problems you may have and that he has had the opportunity to assist you.
2. If you are still not satisfied, seek out the owner or general manager of the dealership, explain the problem and request assistance.
3. For further assistance write to:

**Land Pride Service Department**  
**1525 East North Street**  
 P.O. Box 5060  
 Salina, Ks. 67402-5060

E-mail address  
[lp servicedept@landpride.com](mailto:lp servicedept@landpride.com)



## Section 1: Assembly and Setup

### RB45 & RB55 Rear Blade

Refer to Figure 1-1:

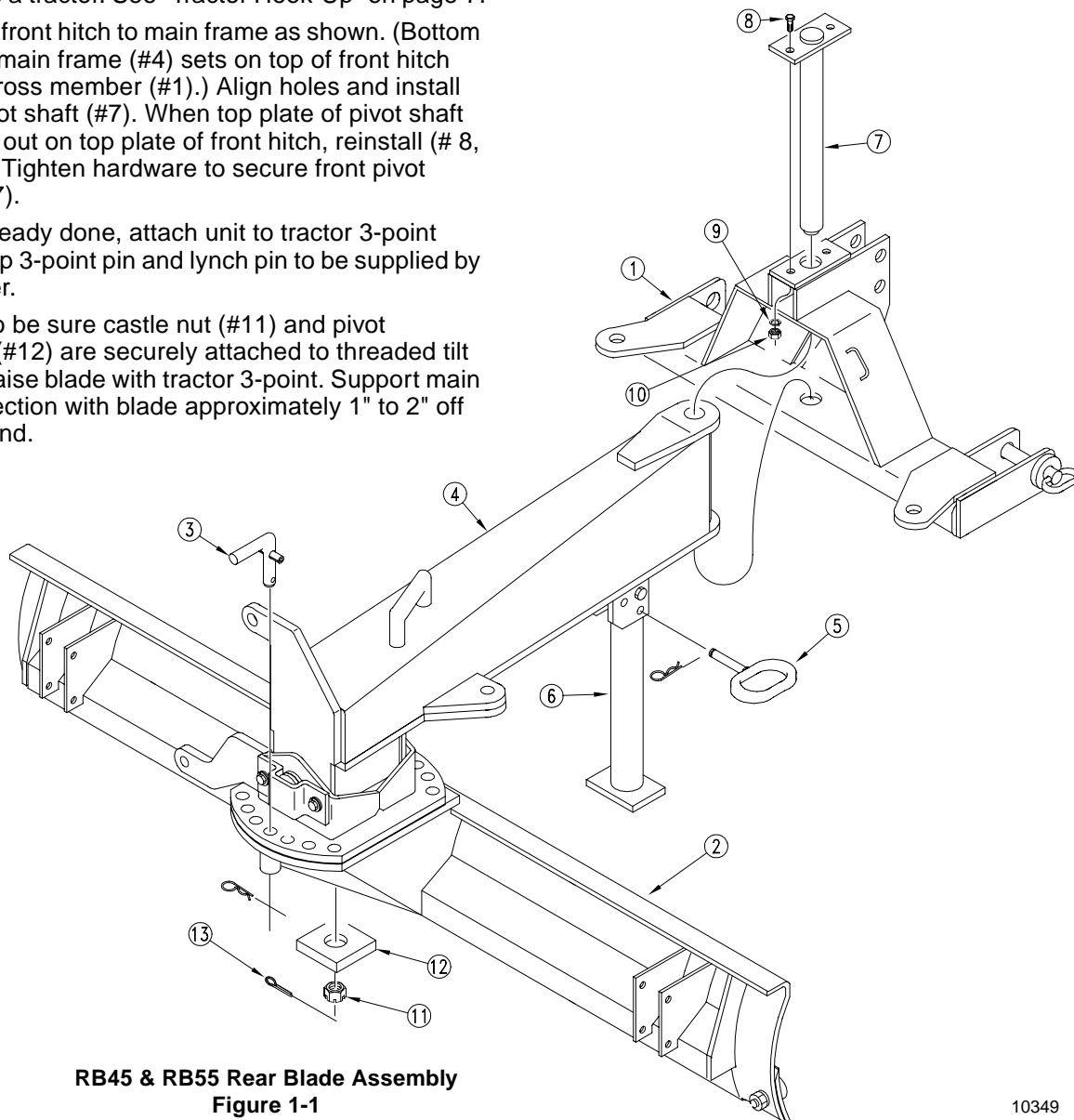
1. Uncrate blade Assembly from shipping crate.
2. Remove front hitch assembly (#1) from blade panel (#2).
3. Use a lifting device to set blade panel (#2) upright. Remove rotation pin (#3) and position main frame (#4) at 90° to blade panel and replace rotation lock pin (#3).
4. Remove pin (#5) and rotate support stand (#6) to a vertical position. Reinsert pin (#5) and secure with lock pin.
5. Lower unit to ground and unhook lifting device.
6. Remove front pivot shaft (#7) from front hitch assembly (#1) by removing #8, 9 & 10 hardware.
7. Secure front hitch assembly (#1) to a lifting device or attach to a tractor. See "Tractor Hook-Up" on page 7.
8. Position front hitch to main frame as shown. (Bottom plate of main frame (#4) sets on top of front hitch tubing cross member (#1).) Align holes and install front pivot shaft (#7). When top plate of pivot shaft bottoms out on top plate of front hitch, reinstall (# 8, 9 & 10). Tighten hardware to secure front pivot shaft (#7).
9. If not already done, attach unit to tractor 3-point hitch. Top 3-point pin and lynch pin to be supplied by customer.
10. Check to be sure castle nut (#11) and pivot washer (#12) are securely attached to threaded tilt shaft. Raise blade with tractor 3-point. Support main frame section with blade approximately 1" to 2" off the ground.

11. Remove rotation lock pin (#3). Rotate blade panel (#2). If panel rotates too hard or is too loose, remove cotter pin (#13). Tighten or loosen castle nut (#11) to adjust pivoting movement to desired tension. Reinstall cotter pin (#13) bending both legs around castle nut.

**IMPORTANT:** Retighten castle nut (#11) after first 20 hours of use and check periodically.

### CAUTION

Always check to be sure that the slotted hex nut and cotter pin are in place to retain the blade before reversing the blade. If they are missing, the blade will fall off the frame while being rotated!



RB45 & RB55 Rear Blade Assembly  
Figure 1-1

10349



Section 1: Assembly and Setup

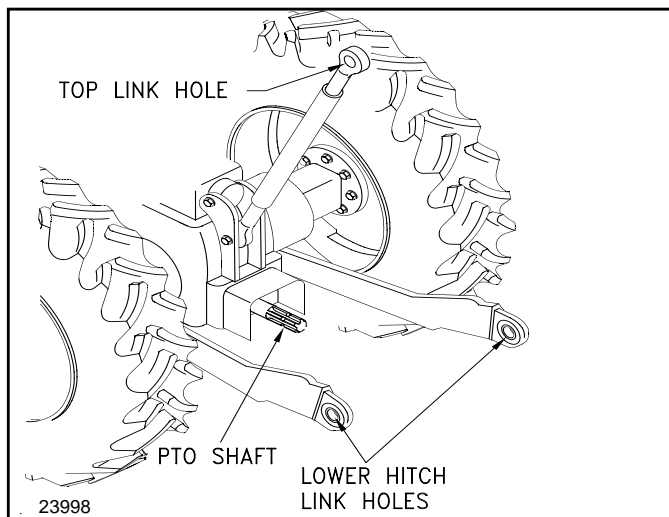
Tractor Hook-Up

Refer to Figures 1-2, 1-3, 1-4 & 1-5:

**! DANGER**

Tractor hook-up to equipment is dangerous and can result in serious injury or death. **Do not** allow anyone to stand between the blade and tractor during hook-up operations. **Do not** operate the hydraulic 3-point lift controls while someone is directly behind the tractor or near the blade.

1. Slowly back tractor up to the Rear Blade while using tractor's 3-point hydraulic control to align the lower hitch link holes with lower hitch clevis holes on the blade.
2. Engage park brake, shut engine off and remove key before dismounting from tractor.
  - a. With tractor's lower hitch arms aligned and positioned in the clevises, insert hitch pins through the clevis lugs and lower arm holes. Be sure to use the bushings as shown in Figures 1-3, 1-4 & 1-5. Secure hitch pins with linch pins.
3. Connect top center link to the upper pivot hitch mounting holes using customer supplied clevis pin and linch pin.
4. Ensure that the lower hitch arms are blocked to prevent excessive side movement.
5. Remove hitch pin and raise support stand fully up. Reinsert hitch pin and secure with lock pin.
6. Return to tractor and slowly operate controls up and down to check for clearance. Make certain the blade does not interfere with the tractor hitch, tires, and drawbar. Move or remove the drawbar if it interferes.
7. Manually adjust one of the two lower lift arms up or down to level the blade from left to right.
8. Manually adjust length of the top-link to level the blade from front to rear.



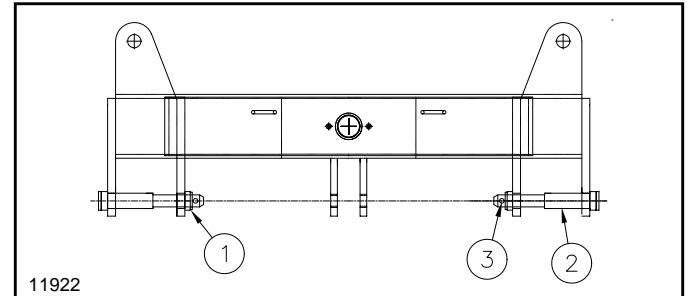
Tractor 3-Point Hitch  
Figure 1-2

RB55 3-Point Hitch Settings

Category II Standard Hitch:

Refer to Figure 1-3:

Hitch pins (#2) are inserted from the outer lug. Place spacer adapter (#1) on hitch pin (#2) outside of the inner most lug and secured with lock pin (#3).

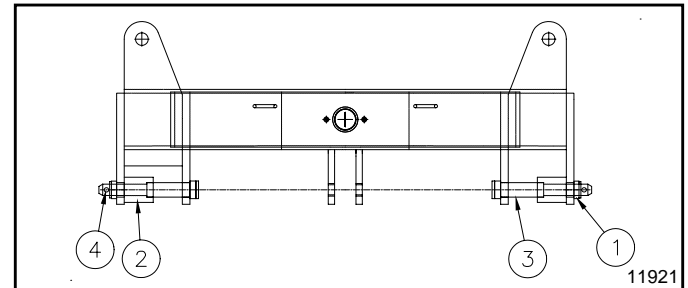


Category II Standard Hitch  
Figure 1-3

Category II Quick Hitch:

Refer to Figure 1-4:

Bushings (#2) are positioned next to the outer most hitch lug with hitch pins (#3) inserted from the inner most lug. Place spacer adapter (#1) on hitch pin (#3) outside of the outer most lug and secured with the lock pin (#4).

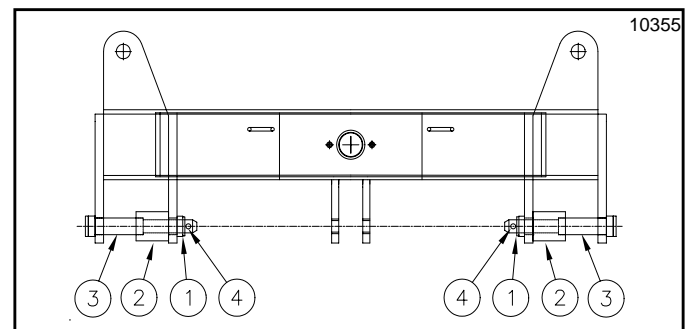


Category II Quick Hitch  
Figure 1-4

Category III Standard Hitch:

Refer to Figure 1-5:

Bushings (#2) are positioned next to the inner most hitch lug with hitch pins (#3) inserted from the outer most lug. Place spacer adapter (#1) on hitch pin (#3) outside of the inner most lug and secured with the lock pin (#4).



Category III Standard Hitch  
Figure 1-5

## Section 1: Assembly and Setup

### Blade Offset Cylinder

Refer to Figure 1-6:

**IMPORTANT:** Attach cylinder base to the front hitch lug. The cylinder base will interfere with the main frame if attached to the rear lug.

Assemble hydraulic hoses to the hydraulic cylinder before placing cylinder on the blade.

1. Position hydraulic cylinder with ports on top. Install two 90 degree elbows into the cylinder ports and tighten as needed.
2. Screw 96" long hydraulic hoses into the elbows and tighten. Use 101" long hydraulic hoses when using a Quick Hitch.
3. Thread adapter fittings to the other end of the hydraulic hoses and tighten. (Hydraulic couplings not furnished.)
4. Attach hydraulic cylinder to the lugs located on either side of the Rear Blade with clevis pins. Make sure hydraulic ports are positioned on top and the cylinder base is positioned to the front as shown.
5. Secure clevis pins with hair pin cotter pins.
6. Route hoses through hose brackets located on top of the main frame and on the right side of the front hitch. Connect hoses to tractor's hydraulic system.

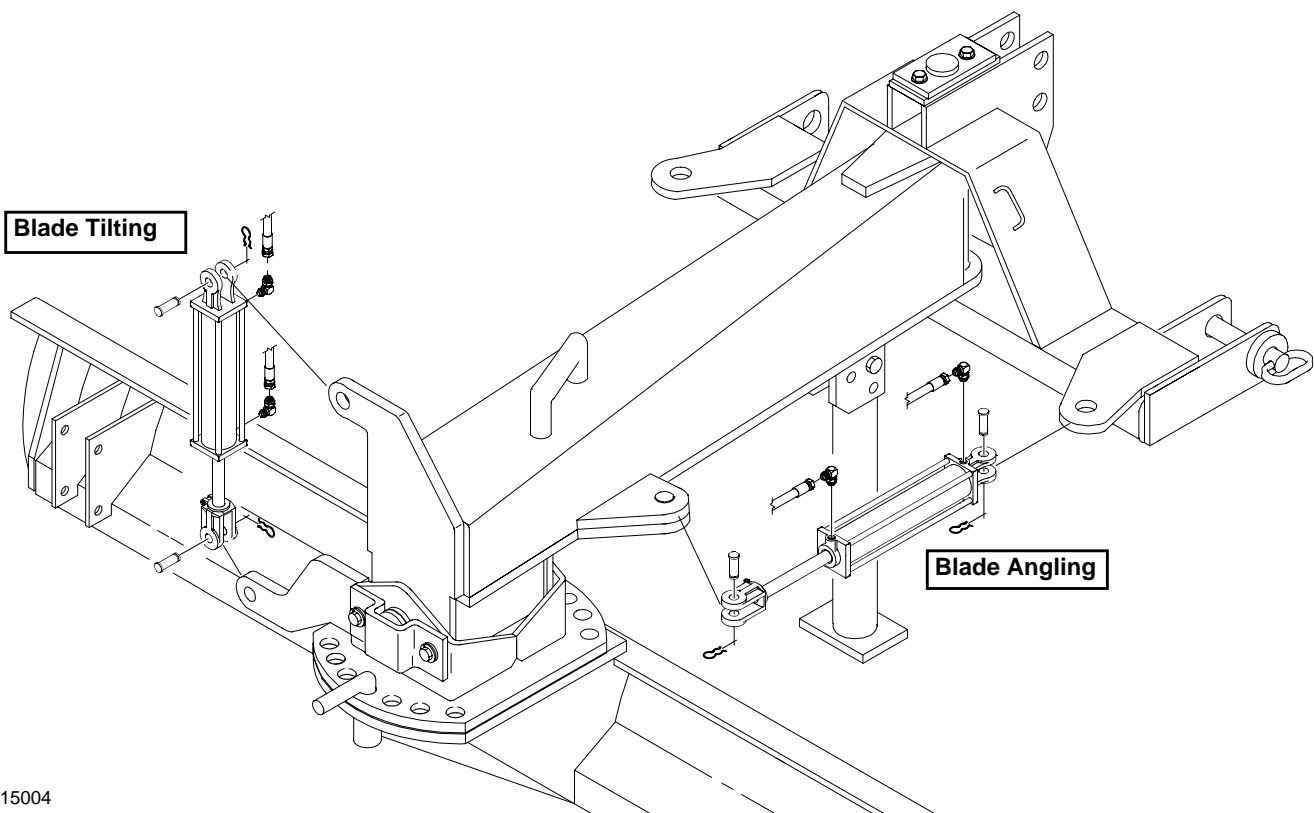
### Blade Tilting Cylinder

Refer to Figure 1-6:

**IMPORTANT:** Attach cylinder base to the upper mounting lug.

Assemble hydraulic hoses to the hydraulic cylinder before placing cylinder on the blade.

1. Position hydraulic cylinder with ports on top. Install two 90 degree elbows into the cylinder ports and tighten as needed.
2. Screw 114" long hydraulic hoses into the elbows and tighten. Use 125" long hydraulic hoses when using a Quick Hitch.
3. Thread adapter fittings to the other end of the hydraulic hoses and tighten. (Hydraulic couplings not furnished.)
4. Attach hydraulic cylinder to the lugs located on the back of the Rear Blade with clevis pins. Make sure hydraulic ports are positioned facing forward and the cylinder base is positioned up as shown.
5. Secure clevis pins with hair pin cotter pins.
6. Route hoses through hose brackets located on top of the main frame and on the right side of the front hitch. Connect hoses to tractor's hydraulic system.



15004

Hydraulic Tilt and Offset Assembly  
Figure 1-6

## Section 1: Assembly and Setup

### Manual Blade Offset

Refer to Figure 1-7:

1. Attach blade offset links to the left or right side of the blade as shown with two clevis pins and secure with hair pin cotter.
2. Adjust offset angle by removing the hitch pin and moving outer link to a different hole. Replace hitch pin and secure with hair pin cotter.

### Manual Blade Tilting

Refer to Figure 1-7:

1. Attach ratchet jack to the back side of the blade as shown with two 1" clevis pins and secure with hair pin cotter.
2. Adjust blade tilt by setting the lock on the ratchet lever and pumping the lever back and forth to raise one end of the blade higher than the other end. Reposition ratchet lock and pump lever back and forth to tilt blade in the opposite direction.

### Skid Shoe Option

Refer to Figure 1-8:

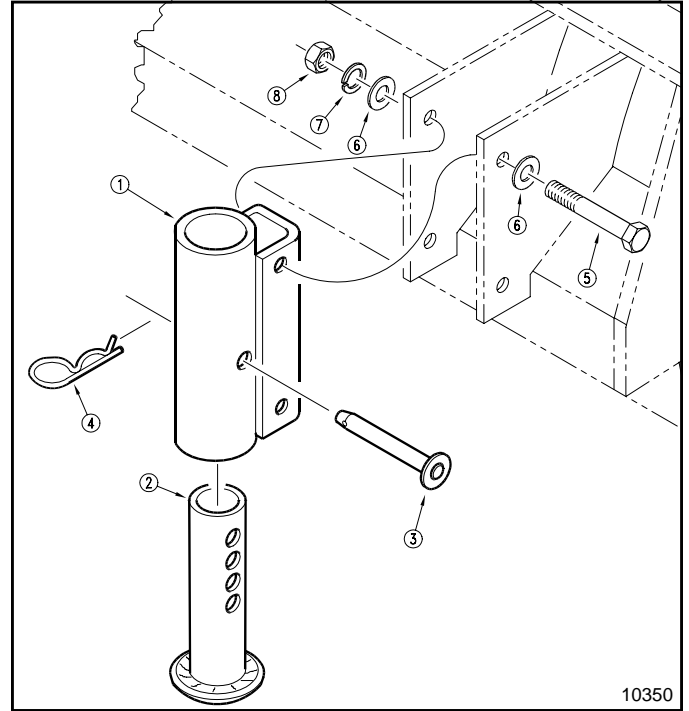
The skid shoes are attached to both ends of the blade to help prevent damage to the surface of the ground by the blade.

#### Kit Bundle

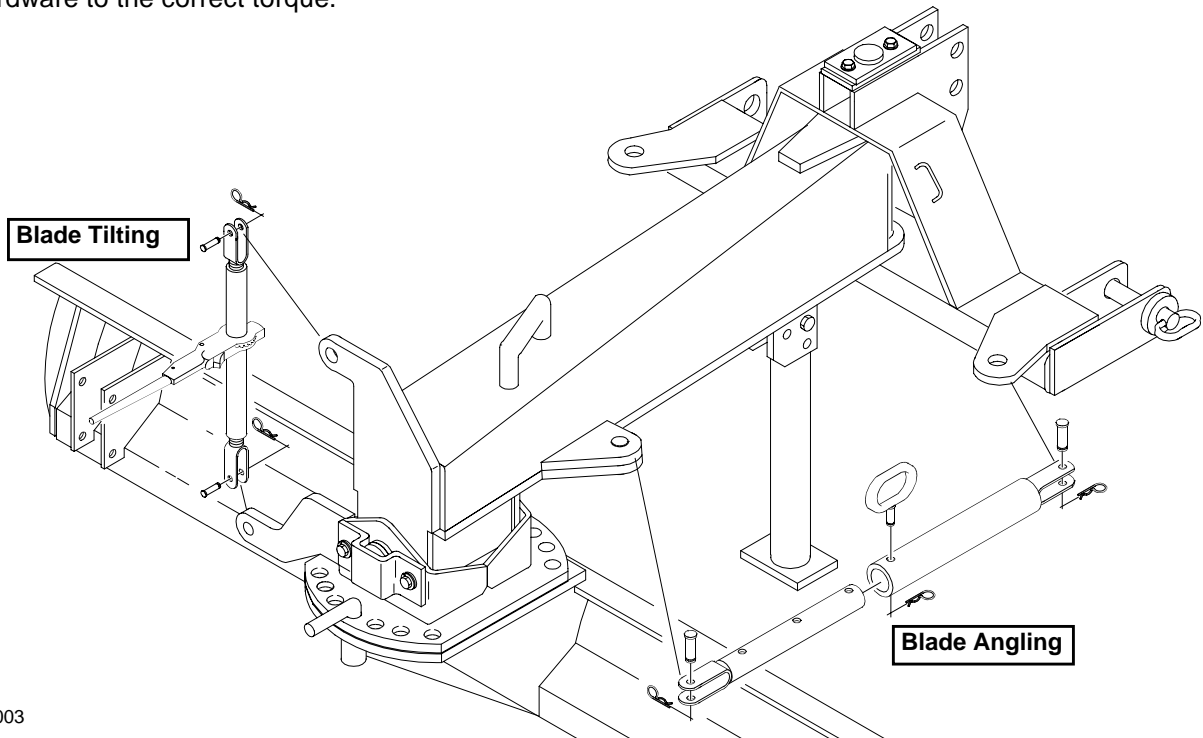
301-110A SKID SHOE ASSEMBLY

1. Attach skid shoe bracket (#1) with 1/2"-13 x 4 1/2" GR5 hex head cap screw (#5), flat washers (#6), spring lock washer (#7) and hex nut (#8). Tighten hardware to the correct torque.

2. Insert skid shoe (#2) into skid shoe bracket (#1). Secure with clevis pin (#3) and hair pin cotter (#4).
3. Repeat steps 1 and 2 for the other side.



Skid Shoe Assembly  
Figure 1-8



Manual Tilt and Offset Assembly  
Figure 1-7

15003

## Section 2: Adjustments

### Blade Pitch

Blade pitch can be adjusted by lengthening or shortening the tractor's top center 3-point link.

### Blade Angling and Reversing

Refer to Figure 1-7 on page 9:

#### CAUTION

Avoid injury from falling blade by always check to make sure all hardware is secured properly before rotating blade.

There are 7 blade angle positions; up to 45 degrees right or left 15 degree increments. (Center, 3 clockwise and 3 counterclockwise positions.)

1. Adjust blade angle by removing the angling locking pin and rotating the blade to a different hole position.
2. Replace angle locking pin and secure with hair pin.
3. The blade may also be rotated around 180 degrees.
  - a. Remove angling locking pin from turntable.
  - b. Rotate blade 180 degrees.
  - c. Reconnect angle locking pin to turntable.

**IMPORTANT:** Make sure the angling link is properly re-installed before using the blade.

### Blade Tilt

#### CAUTION

Avoid injury from falling blade by always checking to make sure all hardware is secured properly before tilting blade.

### Manual Tilt Adjustment

Refer to Figure 1-7 on page 9:

The blade end can be tilted manually by as much 20 degrees with the ratchet jack.

1. Set ratchet lock and pump lever back and forth to raise one end of the blade higher than the other end.
2. Reposition ratchet lock and pump lever back and forth to tilt blade in the opposite direction.

### Hydraulic Tilt Adjustment

Refer to Figure 1-6 on page 8:

The blade end can be tilted hydraulically with the tilt cylinder by as much as 20 degrees.

1. Operate tractor control lever to change blade tilt by as much as 20 degrees right or left.

### RB45 Blade Offset

#### CAUTION

The blade may come in contact with the tractor rear tire when offsetting blade to maximum position and angling blade in the same direction to most severe angle.

#### Manual Blade Offset

The blade will offset to the right if the manual link is mounted on the left side and to the left if it is mounted on the right side. There are 5 offset positions; centered; 4", 10 1/2", 17" and 23".

#### Hydraulic blade Offset with 16" stroke cylinder

If the cylinder is mounted on the right hand side, the blade will offset to the left up to 27" and to the right up to 10". If the cylinder is mounted on the left hand side, the blade will offset to the right up to 27" and to the left up to 10".

#### Hydraulic blade Offset with 14" stroke cylinder

If the cylinder is mounted on either side it will offset both directions 13 1/2".

### RB55 Blade Offset

#### CAUTION

The blade may come in contact with the tractor rear tire when offsetting blade to maximum position and angling blade in the same direction to most severe angle.

#### Manual Blade Offset

The blade will offset to the right if the manual link is mounted on the left side and to the left if it is mounted on the right side. There are 5 offset positions; centered; offset 6 1/2", 13", 19 1/2" and 25 1/2".

#### Hydraulic blade Offset with 16" stroke cylinder

If the cylinder is mounted on the right hand side, the blade will offset to the left up to 29 1/2" and to the right up to 12 1/2". If the cylinder is mounted on the left hand side, the blade will offset to the right up to 29 1/2" and to the left up to 12 1/2".

#### Hydraulic blade Offset with 14" stroke cylinder

If the cylinder is mounted on either side it will offset both directions 16".



**Section 3: Operating Procedures**

**Operating Check List**

Hazard control and accident prevention are dependent upon the awareness, concern, prudence and proper training involved in the operation, transport, maintenance and storage of the blade. Therefore, it is absolutely essential that no one operates the Rear Blade without first having read, fully understood and become totally familiar with the Operator’s Manual. Make sure the operator has paid particular attention to:

- **Important Safety Information**, pages 1 to 3
- **Section 1: Assembly and Setup**, page 6
- **Section 2: Adjustments**, page 10
- **Section 3: Operating Procedures**, page 11
- **Section 5: Maintenance and Lubrication**, page 14

**Operating Checklist**

✓	Check	Reference
	Check 3-point Hook-up procedure. Be sure all pins have been installed and are secured.	Page 7
	All blade adjustments have been made and pins have been installed and are secured.	Page 7
	The operator has read and understood how to operate the blade.	Page 11
	The Rear Blade has been lubricated as required.	Page 14
	Check the blade initially and periodically for loose bolts & pins, See <i>Torque Values Chart</i> .	Page 18

Make the following inspections after attaching the Rear Blade to the tractor:

1. Inspect tractor safety equipment to make sure it is in good working condition.
2. Carefully raise and lower the implement to ensure that the drawbar, tires, and other equipment on the tractor do not contact the frame and moldboard.
3. Carefully pivot blade fully clockwise and offset blade such that the moldboard end closest to the tractor is in line with the tractor tire. Raise and lower implement to ensure tractor tires and tractor do not contact the blade.
4. Carefully pivot blade fully counterclockwise and offset blade such that the moldboard end closest to the tractor is in line with the tractor tire. Raise and lower implement to ensure tractor tires and tractor do not contact the blade.
5. Inspect hydraulic hoses for wear, damage and hydraulic leaks. See “Avoid High Pressure Fluids Hazard” on page 3. Replace damaged and worn hoses with genuine Land Pride parts.

**Transporting**



*When traveling on public roads at night or during the day, use accessory lights and devices for adequate warning to operators of other vehicles. Comply with all federal, state and local laws.*

1. When traveling on roadways, transport in such a way that faster moving vehicles may pass you safely.
2. Leave enough clearance on both sides of the blade when traveling straight or making turns to keep the blade from contacting obstacles such as buildings, trees or fences.
3. Slow down when traveling over rough or hilly terrain.

**Basic Operating Instructions**



*Do not use blade tilt to raise tractor tires off the ground for repair. Improper use can damaged the Rear Blade.*



*Do not operate the side shift cylinder with blade in the ground or to push or pull other objects. Improper use can damaged the Rear Blade.*



*Do not use the blade for pulling fence posts, stumps, etc., lifting objects, carry objects or towing other equipment. Any of the above can result in Rear Blade damage, serious bodily injury or death.*



*Never carry a person on the blade. A person can fall and be ran over by the blade or tractor causing serious injury or death.*

**IMPORTANT:** Avoid catching the hydraulic hoses on brush, post, stumps, and other protrusions that could damage and/or break them.

1. Thoroughly inspect the work area for buried utility cables, pipelines, sprinkler heads and any unforeseen objects. Mark any potential hazards.
2. Place grade stakes if you intend to develop a specific grade or soil level.
3. Adjust the blade to the desired angle, tilt, and offset position before lowering the blade to the ground.
4. Lower blade to the ground and proceed forward at a speed of no more than 2 to 4 mph. The blade should immediately begin shaving the soil surface.
5. Set the tractor’s draft-link height control to the desired position. With the blade set at a 90 degree angle you may need to raise the blade slightly so that the dirt or gravel can flow out evenly under the blade effectively shaving off high spots and filling in potholes or depressions.



## Section 3: Operating Procedures

### General Operating Instructions

Once you have familiarized yourself with the Operator's Manual, completed the operations checklist, and properly attached your Land Pride blade to your tractor, you are now almost ready to begin work. The RB45 and RB55 Series blades were designed and built by Land Pride for category II and III three-point hitch and Quick Hitch attachment for 70 to 110 hp tractors with the RB45 Series and 90 to 180 hp tractors with the RB55 Series that are equipped with remote hydraulic outlets and two wheel drive capability. They are ideal for snow removal as well as dirt leveling, finish grading, and backfilling applications at feedlots, outdoor arenas, building and construction sites, and maintenance operations on farm and ranch lanes or roadways. They are also excellent for soil contouring and construction and maintenance of ditches and waterways.

Hopefully you have checked out your work site for any buried utility cables, pipelines, sprinkler heads, or other obstacles that you wouldn't want to damage or encounter. Grade stakes should now be in place if you intend to develop a specific grade, elevation, soil contour, or roadbed crown. The blade's primary purpose is for grading or leveling of soil, gravel, or aggregate in the warmer months or snow removal in the colder months. These functions are best done at an approximate 2 to 4 mph ground speed. Becoming proficient with a blade takes practice.

Tractor horsepower, your personal skill level, soil or aggregate composition, moisture levels, and compaction factors will all have a definite impact on how easily and effectively you get the job done when you are in the dirt working mode. Develop a plan to achieve your expected results. Set the blade up at the proper angle or angles to do the job. The hydraulic tilt, and offset capabilities of the RB45 and RB55 series make these adjustments easy utilizing the tractors remote hydraulic controls. Adjust the blade angle by simply pulling a pin and rotating the blade to the desired angle and reinserting the pin. Setting the blade up may require some experimentation to achieve the desired results. Lower the blade to the ground and proceed forward at a speed of no more than 2 to 4 mph. The blade should immediately begin shaving the soil surface and dirt or aggregate material. Set the tractor's draft-link height control in the desired position. With the blade set at a 90 degree angle you may need to raise the blade slightly so that the dirt or gravel can flow out evenly under the blade effectively shaving off high spots and filling in potholes or depressions.

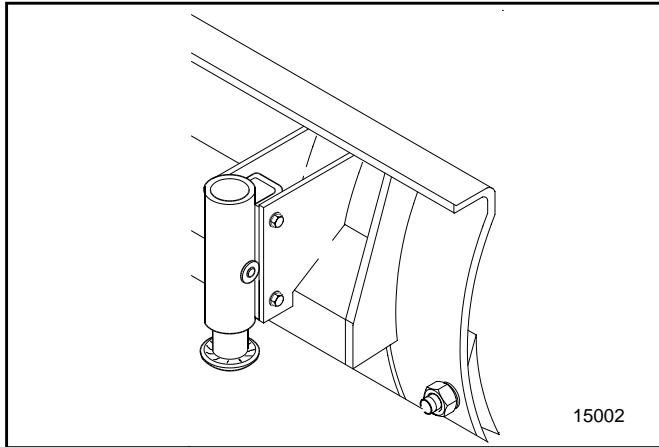
If you have the blade set at a horizontal angle, the shaved or accumulated material will begin to move outward toward the trailing edge of the blade. The greater the angle the more quickly the shaved material will be distributed off to the side. If it is necessary to work up next to a building foundation, abutment, or raised curb you may want to offset the blade so that the outside edge of the blade is beyond the outer edge of the tractor tire in working position. Back-filling operations may be more

easily performed by reversing the blade and operating the tractor in reverse or commonly called the push mode.

If you are performing the construction of soil contours or waterways you will probably need to set a tilt angle on the blade to achieve the desired effect. If you are grading or cutting a new ditch bank or forming a road crown, you will probably want to offset the blade in combination with setting an appropriate tilt angle. This again will likely require some experimentation to gain desired results. Snow removal techniques with a blade will be very similar to dirt working techniques and will require a little experimentation to become proficient.

With a little practice you should become a very good operator and consistently achieve the desired results you expect with your Land Pride RB45 and RB55 Series blade.

See "Section 6: Specifications & Capacities" on page 15 and "Section 7: Features and Benefits" on page 16 for additional information and performance enhancing options.

**Section 4: Options****Skid Shoes**

The skid shoes are attached to both ends of the blade to help prevent damage to the surface of the ground by the blade. Refer to the skid shoe manual for assembly instructions and operations.

**Kit Bundle**

301-110A SKID SHOE ASSEMBLY



## Section 5: Maintenance and Lubrication

### Maintenance

Proper servicing and adjustment is the key to the long life of any implement. With careful and systematic inspection, you can avoid costly maintenance, time and repair.

After using your Rear Blade for several hours, check all bolts to be sure they are tight.

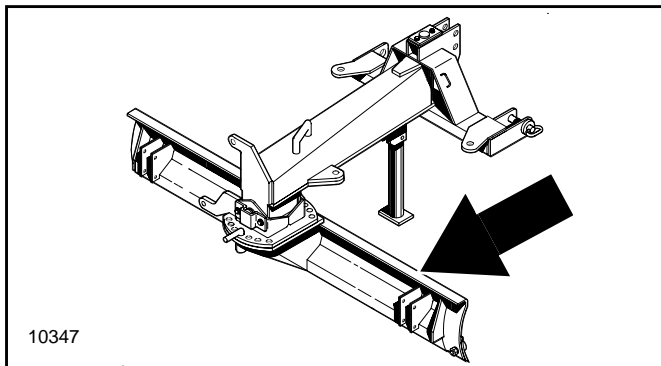
Replace any worn, damaged or illegible safety labels by obtaining new labels from your Land Pride Dealer

### WARNING

*Do not alter the Rear Blade. Altering the blade can adversely affect its performance and reliability causing damage to the blade, tractor and/or bodily injury. Always replace damaged parts with original Land Pride parts.*

### Lubrication

Lubrication Legend	Multi-purpose spray lube	Multi-purpose grease lube	Multi-purpose oil lube	50 hrs Intervals in hours at which lubrication is required
--------------------	--------------------------	---------------------------	------------------------	---



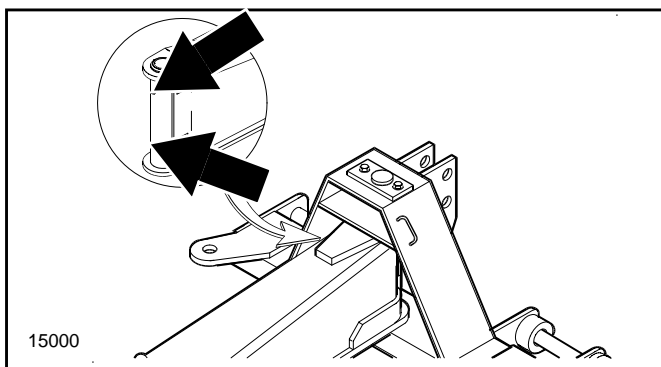
	<b>Seasonally</b>
--	-------------------

#### Moldboard and Blade

Grease moldboard and blade when storing for an extended period of time.

Type of Lubrication: Multi-Purpose

Quantity = Coat Generously



	<b>25 Hours</b>
--	-----------------

#### Pivot Shaft

Grease every 24 hours.

Type of Lubrication: Multi-Purpose

Quantity = 2-4 pumps

**Section 6: Specifications & Capacities**

<b>RB45 &amp; RB55 Series Rear Blades</b>			
<b>Model/Series</b>	<b>RB4596</b>	<b>RB45108</b>	<b>RB5596</b>
<b>Blade Width</b>	96"	108"	96"
<b>Approximate Weight (lbs.)</b>	890 *	940 *	1330 *
<b>Max. Gross Vehicle Weight (G.V.W.)</b>	9,500 lbs.	9,500 lbs.	15,000 lbs.
<b>Horsepower Rating</b>	90		180
<b>Hitch Type</b>	Cat. 2		Cat. 2 & 3 Fits Land Pride Quick Hitch
<b>Blade Thickness</b>	1/4" reinforced		5/16" reinforced
<b>Blade Height</b>	19"		
<b>Angle/Position</b>	6 Forward up to 45 degrees right or left 6 Reverse up to 45 degrees right or left		
<b>Cutting Edge</b>	1/2" x 6" Reversible Double bevel		
<b>Tilt</b>	Up to 20 degrees left or right		
<b>Options</b>	Skid Shoes Hydraulic Offset Hydraulic Tilt		
<b>Blade Construction</b>	Boxed Section		

\* No offsetting or tilt components.

### RB45 Series Rear Blade

Features	Benefits
<b>Working widths</b>	96", 108"
<b>HP Range</b>	70 - 110 HP
<b>7 Forward and 7 reverse positions</b>	Various positions to work in various conditions to get desired results.
<b>Tilt left or right</b>	Tilt moldboard left or right for ditching.
<b>Offset left or right</b>	Position the moldboard beyond tractor tire and enable to work closer to obstructions.
<b>Rolled moldboards</b>	Material 'rolls' which causes less drag on the blade.
<b>19" Moldboard height</b>	Tall moldboard allows for a great deal of material to be moved.
<b>Formed moldboard lip</b>	Top lip of moldboard is formed at 90 degrees for additional strength.
<b>3" Moldboard thickness with 3/16" reinforcement channel</b>	Heavy-duty moldboard to handle the workload from tractors up to 110 HP.
<b>2" Kingpin</b>	Kingpin is matched to handle workloads up to 110 HP.
<b>Reversible cutting edge</b>	Lengthens blade life by being able to use both edges.
<b>Fully welded main frame</b>	Overall mainframe strength is enhanced due to being fully welded.
<b>Retractable parking stand</b>	Enables one person hook-up and keeps the mainframe off the ground.
<b>Heavy-duty pivot housing</b>	5/8" Thick steel gives pivot housing strength, which is very important when pulling blade in tilt, offset or angled positions.
<b>Optional hydraulic adjustments</b>	Hydraulic adjustments can be made from the tractor seat for on the go changes.
<b>Warranty</b>	One year parts & labor.

**Section 7: Features and Benefits****RB55 Series Rear Blades**

<b>Features</b>	<b>Benefits</b>
<b>Working widths</b>	108", 120"
<b>Tractor HP Range</b>	90-180 HP
<b>Cat. 2 and 3</b>	Bushing provided to go from Cat. 2 to Cat. 3 enables a wider variety of tractors to be used.
<b>7 Forward and 7 reverse positions</b>	Various positions to work in various conditions to get desired results.
<b>Tilt left or right</b>	Tilt moldboard left or right for ditching.
<b>Offset left or right</b>	Position the moldboard beyond the tractor tire and enable to work closer to obstructions.
<b>19" Moldboard height</b>	Tall moldboard allows for a great deal of material to be moved.
<b>4" Solid Kingpin</b>	4" Solid steel is matched for workloads up to 180 HP.
<b>Heavy-duty pivot housing</b>	1" Thick steel gives pivot housing strength, which is very important when pulling blade in tilt, offset or angled positions.
<b>5/16" Moldboard with reinforcement</b>	Heavy-duty moldboard to handle loads from 180 HP tractors.
<b>Formed moldboard lip</b>	Top lip of moldboard is formed at 90 degrees for additional strength.
<b>Reversible cutting edge</b>	Lengthens blade life by being able to use both edges.
<b>Fully welded reinforced main frame</b>	Overall mainframe strength is enhanced due to being fully welded.
<b>Retractable parking stand</b>	Enables one person hook-up and keeps the mainframe off of the ground.
<b>Grease points in front pivot shaft</b>	Helps front pivot shaft to easily move.
<b>Skid shoes (optional)</b>	Skid shoes protect the moldboard from hitting low lying obstructions like manhole covers.
<b>Side plates (optional)</b>	Side plates allow the blade to hold material in to drag from one spot to another.
<b>Hydraulic adjustments</b>	Hydraulic adjustments can be made from the tractor seat for on the go changes.
<b>Warranty</b>	One year parts & labor.

Torque Values Chart													
Bolt Size (Inches)	Bolt Head Identification						Bolt Size (Metric)	Bolt Head Identification					
	Grade 2		Grade 5		Grade 8			Class 5.8		Class 8.8		Class 10.9	
in-tpi <sup>1</sup>	N · m	ft-lb <sup>3</sup>	N · m	ft-lb	N · m	ft-lb	mm x pitch	N · m	ft-lb	N · m	ft-lb	N · m	ft-lb
1/4" - 20	7.4	5.6	11	8	16	12	M 5 X 0.8	4	3	6	5	9	7
1/4" - 28	8.5	6	13	10	18	14	M 6 X 1	7	5	11	8	15	11
5/16" - 18	15	11	24	17	33	25	M 8 X 1.25	17	12	26	19	36	27
5/16" - 24	17	13	26	19	37	27	M 8 X 1	18	13	28	21	39	29
3/8" - 16	27	20	42	31	59	44	M10 X 1.5	33	24	52	39	72	53
3/8" - 24	31	22	47	35	67	49	M10 X 0.75	39	29	61	45	85	62
7/16" - 14	43	32	67	49	95	70	M12 X 1.75	58	42	91	67	125	93
7/16" - 20	49	36	75	55	105	78	M12 X 1.5	60	44	95	70	130	97
1/2" - 13	66	49	105	76	145	105	M12 X 1	90	66	105	77	145	105
1/2" - 20	75	55	115	85	165	120	M14 X 2	92	68	145	105	200	150
9/16" - 12	95	70	150	110	210	155	M14 X 1.5	99	73	155	115	215	160
9/16" - 18	105	79	165	120	235	170	M16 X 2	145	105	225	165	315	230
5/8" - 11	130	97	205	150	285	210	M16 X 1.5	155	115	240	180	335	245
5/8" - 18	150	110	230	170	325	240	M18 X 2.5	195	145	310	230	405	300
3/4" - 10	235	170	360	265	510	375	M18 X 1.5	220	165	350	260	485	355
3/4" - 16	260	190	405	295	570	420	M20 X 2.5	280	205	440	325	610	450
7/8" - 9	225	165	585	430	820	605	M20 X 1.5	310	230	650	480	900	665
7/8" - 14	250	185	640	475	905	670	M24 X 3	480	355	760	560	1050	780
1" - 8	340	250	875	645	1230	910	M24 X 2	525	390	830	610	1150	845
1" - 12	370	275	955	705	1350	995	M30 X 3.5	960	705	1510	1120	2100	1550
1-1/8" - 7	480	355	1080	795	1750	1290	M30 X 2	1060	785	1680	1240	2320	1710
1 1/8" - 12	540	395	1210	890	1960	1440	M36 X 3.5	1730	1270	2650	1950	3660	2700
1 1/4" - 7	680	500	1520	1120	2460	1820	M36 X 2	1880	1380	2960	2190	4100	3220
1 1/4" - 12	750	555	1680	1240	2730	2010							
1 3/8" - 6	890	655	1990	1470	3230	2380							
1 3/8" - 12	1010	745	2270	1670	3680	2710							
1 1/2" - 6	1180	870	2640	1950	4290	3160							
1 1/2" - 12	1330	980	2970	2190	4820	3560							

<sup>1</sup> in-tpi = nominal thread diameter in inches-threads per inch  
<sup>2</sup> N · m = newton-meters  
<sup>3</sup> ft-lb= foot pounds  
<sup>4</sup> mm x pitch = nominal thread diameter in millimeters x thread pitch

Torque tolerance + 0%, -15% of torquing values. Unless otherwise specified use torque values listed above.



## Warranty

**Land Pride** warrants to the original purchaser that this Land Pride product will be free from defects in material and workmanship beginning on the date of purchase by the end user according to the following schedule when used as intended and under normal service and conditions for personal use.

**Overall Unit:** One year Parts and Labor

**Hydraulic Cylinder:** One year Parts and Labor.

**Hoses and Seals:** Considered wear items.

**Cutting Edges:** Considered wear items.

This Warranty is limited to the replacement of any defective part by Land Pride and the installation by the dealer of any such replacement part, and does not cover common wear items such as blades, belts, tines, etc. Land Pride reserves the right to inspect any equipment or parts which are claimed to have been defective in material or workmanship.

This Warranty does not apply to any part or product which in Land Pride's judgment shall have been misused or damaged by accident or lack of normal maintenance or care, or which has been repaired or altered in a way which adversely affects its performance or reliability, or which has been used for a purpose for which the product is not designed. Misuse also specifically includes failure to properly maintain oil levels, grease points, and driveline shafts.

Claims under this Warranty must be made to the dealer which originally sold the product and all warranty adjustments must be made through such dealer. Land Pride reserves the right to make changes in materials or design of the product at any time without notice.

This Warranty shall not be interpreted to render Land Pride liable for damages of any kind, direct, consequential, or contingent to property. Furthermore, Land Pride shall not be liable for damages resulting from any cause beyond its reasonable control. This Warranty does not extend to loss of crops, any expense or loss for labor, supplies, rental machinery or for any other reason.

**No other warranty of any kind whatsoever, express or implied, is made with respect to this sale; and all implied warranties of merchantability and fitness for a particular purpose which exceed the obligations set forth in this written warranty are hereby disclaimed and excluded from this sale.**

This Warranty is not valid unless registered with Land Pride within 30 days from the date of purchase by the end user.



Corporate Office: P.O. Box 5060  
Salina, Kansas 67402-5060 USA  
[www.landpride.com](http://www.landpride.com)



## Free Manuals Download Website

<http://myh66.com>

<http://usermanuals.us>

<http://www.somanuals.com>

<http://www.4manuals.cc>

<http://www.manual-lib.com>

<http://www.404manual.com>

<http://www.luxmanual.com>

<http://aubethermostatmanual.com>

Golf course search by state

<http://golfingnear.com>

Email search by domain

<http://emailbydomain.com>

Auto manuals search

<http://auto.somanuals.com>

TV manuals search

<http://tv.somanuals.com>