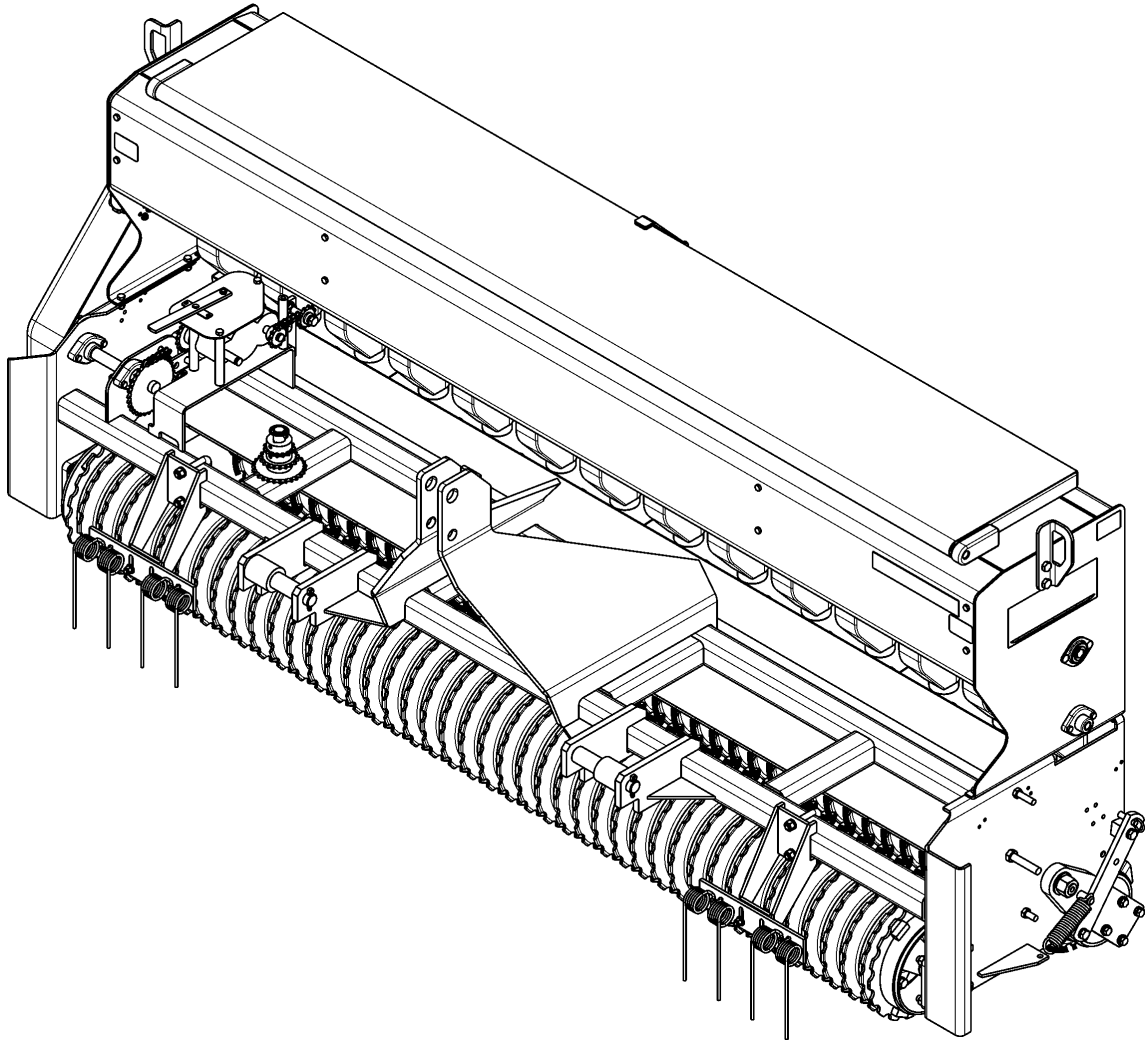


Primary Seeders

PSN2096



20583

313-306P **Parts Manual**



Read the Operator's manual entirely. When you see this symbol, the subsequent instructions and warnings are serious - follow without exception. Your life and the lives of others depend on it!

© Copyright 2008 Printed 09/11/08

Cover photo may show optional equipment not supplied with standard unit.





Table of Contents

Section 1: Introduction.....4
Using This Manual.....4
Manual Replacement Information.....4
Manual Revisions.....4
Touch-up Paint.....4
Hardware Legend.....5
Replacement Hardware.....5
Serial Numbers.....5
Part Number Service Coding.....5

PSN 20 SERIES

Section 2: Frame & Front Roller.....6
Front Roller And Lower Hitch.....6
Rear Roller.....8
Track Removers.....10
Section 3: Seed Box.....12
Box Assembly S/N 378042-.....12
Box Assembly S/N 378043 to 573763.....14
Box Assembly S/N 573764+.....16
Box To Frame And SMV Assembly.....18
Seed Cup Assembly S/N 378042-.....20
Seed Cup Assembly S/N 378043+.....22
Section 4: Drive.....24
Drive Chains And Chain Cover Assembly.....24
Gearbox (890-282C).....26
Gearbox And Drive Assembly.....28
Section 5: Labels.....30
Label Placement (Part 1).....30
Section 6: Optional Boxes.....32
Small Grass Seed - Seed Rate Handle.....32
Small Grass Seed Box Assembly.....34
Small Grass Seed Box To Main Box Assembly.....36
Small Grass Seed Drive.....38
Small Grass Seed Label Placement.....40
Standard Seed Box And Seed Cup Assembly.....42
Standard Seed Box Assembly.....44
Standard Seed Box Drive.....46
Standard Seed Box Seed Rate Adjustment Handle.....48
Standard Seed Box To Main Box Assembly.....50
Standard Seed Label Placement.....52
Section 7: Pull Package.....54
Hydraulic Arrangement.....54
Hydraulic Cylinder 810-001C.....56
Label Placement (Part 2).....58
Transport Axle.....60
Transport Frame.....62

Part Number Index.....64

© Copyright 2008. All rights reserved.

Land Pride provides this publication "as is" without warranty of any kind, either expressed or implied. While every precaution has been taken in the preparation of this manual, Land Pride assumes no responsibility for errors or omissions. Neither is any liability assumed for damages resulting from the use of the information contained herein. Land Pride reserves the right to revise and improve its products as it sees fit. This publication describes the state of this product at the time of its publication, and may not reflect the product in the future. The illustrations in this manual are not intended for safe and proper assembly or disassembly of equipment. The illustrations are intended for ordering parts only.

Land Pride is registered trademark.

All other brands and product names are trademarks or registered trademarks of their respective holders.

Printed in the United States of America.



Alphabetized Table of Contents

PSN 20 SERIES

B

Box Assembly S/N 378042-.....	12
Box Assembly S/N 378043 to 573763.....	14
Box Assembly S/N 573764+.....	16
Box To Frame And SMV Assembly.....	18

D

Drive Chains And Chain Cover Assembly.....	24
--	----

F

Front Roller And Lower Hitch.....	6
-----------------------------------	---

G

Gearbox (890-282C).....	26
Gearbox And Drive Assembly.....	28

H

Hydraulic Arrangement.....	54
Hydraulic Cylinder 810-001C.....	56

L

Label Placement (Part 1).....	30
Label Placement (Part 2).....	58

R

Rear Roller.....	8
------------------	---

S

Seed Cup Assembly S/N 378042-.....	20
Seed Cup Assembly S/N 378043+.....	22
Small Grass Seed - Seed Rate Handle.....	32
Small Grass Seed Box Assembly.....	34
Small Grass Seed Box To Main Box Assembly.....	36
Small Grass Seed Drive.....	38
Small Grass Seed Label Placement.....	40
Standard Seed Box And Seed Cup Assembly.....	42
Standard Seed Box Assembly.....	44
Standard Seed Box Drive.....	46
Standard Seed Box Seed Rate Adjustment Handle.....	48
Standard Seed Box To Main Box Assembly.....	50
Standard Seed Label Placement.....	52

T

Track Removers.....	10
Transport Axle.....	60
Transport Frame.....	62

General Information

Using This Manual

This manual is divided into sections. The first section contains General Information. The remaining sections divide the machine into segments (i.e. Frames, Drives, Hydraulics, etc.) which illustrate and list all parts. A Parts Number Index is located at the back of the book.

The Land Pride parts in this manual are specially designed for this machine and should be replaced with Land Pride parts only.

The information in this manual is current at time of printing. Some parts may change to assure top performance.

Right-hand and left-hand as used in this manual are determined by facing the direction the machine will travel while in use.

Below is an example of two facing pages from a parts manual. Familiarize yourself with the type of information contained on these pages.

Manual Replacement Information

Replacement manuals are available. Refer to our website at www.landpride.com or e-mail us at lit@landpride.com for additional information. Our website continues to provide the most up-to-date manuals available.

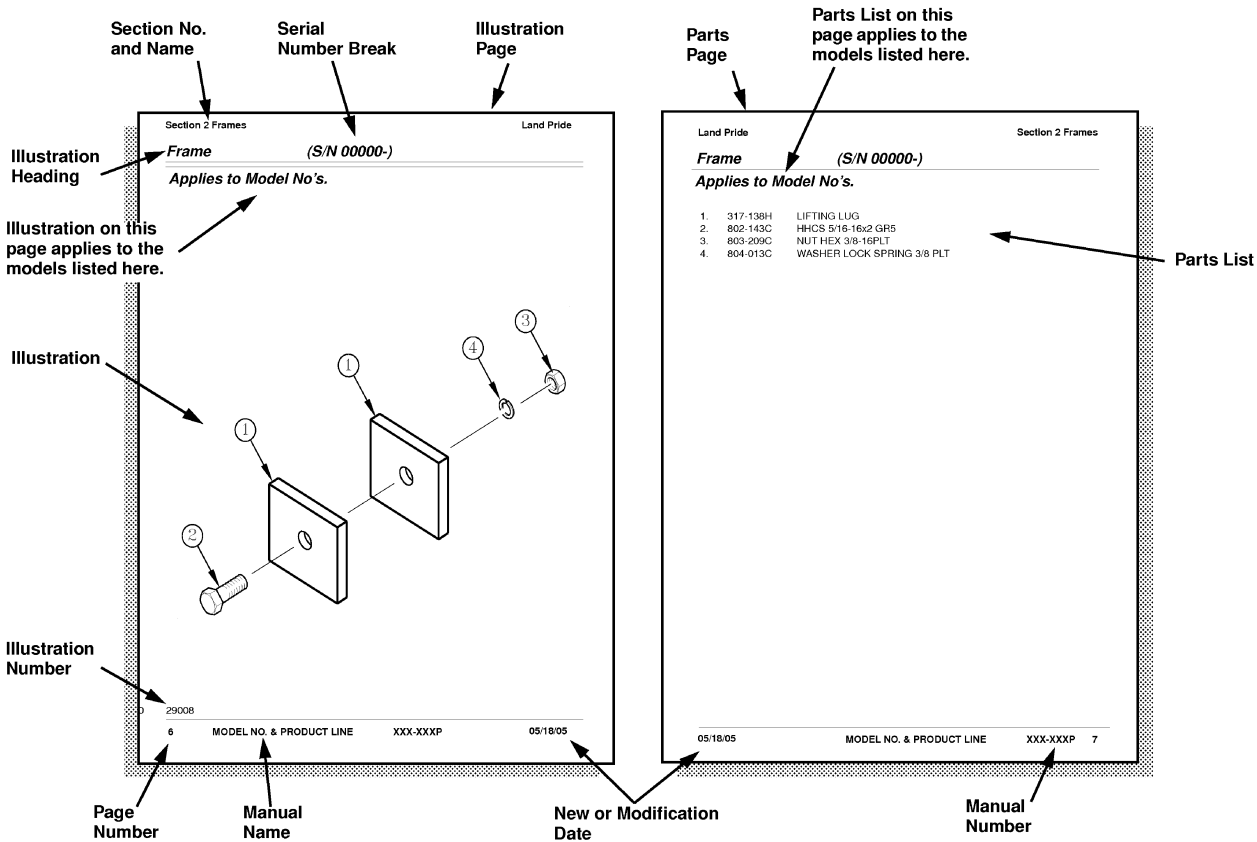
Touch-up Paint

Repaint parts where paint is worn or scratched to prevent rust. Aerosol cans and touch-up bottles with brush applicator are available through your local dealer. Land Pride color descriptions and part numbers are listed below. Also available are quart and gallon size paints. Add QT or GL to end of the Aerosol P/N.

Color	Product ¹	Aerosol	Touch-Up
Gloss Black	LP	821-032C	821-032CTU
Medium Gloss Black	UV	821-053C	821-053CTU
Beige	LP	821-011C	821-011CTU
Green	SLP	821-058C	821-058CTU
Orange	SLP	821-066C	821-066CTU
Red	SLP/UV	821-054C	821-054CTU
Blue	SLP/UV	821-067C	821-067CTU
Dark Green Sparkle	UV	821-055C	821-055CTU
Gondo Forest Green	UV	821-057C	821-057CTU
Brite Yellow ²	UV	821-056C	821-056CTU
Gondo Yellow ³	UV	821-059C	821-059CTU

Notes:

- LP = All Land Pride Products except Utility Vehicles
SLP = Select Land Pride Products that are available in optional Green, Orange, Red, & Blue colors.
UV = Utility Vehicles
- Used on Trekers and (Runabouts with S/N 407628-)
- Used on Gondos and (Runabouts with S/N 407629+)



General Information

Hardware Legend

AR	As Required
BLADE	Blade Bolt
C	Cap Screw
CP	Cotter Pin
CPHSSS	Cup Point Hex Socket Set Screw
CPSHSS	Cup Point Square Head Set Screw
CPSQHSS	Cup Point Square Head Set Screw
CRFCHMS3	Cross Recess Flat Countersunk Head Machine Screw
CRPHMS	Cross Recess Pan Head Machine Screw
CRPHTF	Cross Recess Pan Head Thread Forming
CRRHMS	Cross Recess Round Head Machine Screw
CRTHMS	Cross Recess Truss Head Machine Screw
CSNB	Countersunk Square Neck Bolt
FHMS	Flat Head Machine Screw
FTC	Full Thread Cap Screw
H	Hex Nut
HCLN	Hex Center Lock Nut
HFLCS	Hex Flange Lock Cap Screw
HFS	Hex Flange Screw
HFSLN	Hex Flange Serrated Lock Nut
HFSS	Hex Flange Serrated Screw
HHCS	Hex Head Cap Screw or Metric Bolt
HSBHCS	Hex Socket Button Head Cap Screw
HSFCHCS	Hex Socket Flat Countersunk Head Cap Screw
HSHCS	Hex Socket Head Cap Screw
HSSS	Hex Socket Head Screw
HTLN	Hex Top Lock Nut
HWHCS	Hex Washer Head Cap Screw

HWHMS	Hex Washer Head Machine Screw
HXBHCS	Hex Socket Button Head Cap Screw
J	Hex Jam Nut
JIC	37 Degree Tapered Thread
L	Helical Spring Lock Washer
LUG	Lug Bolt
NFC	National Fine Cap Screw
NPSM	National Pipe Straight Mechanical
NPTF	National Pipe Taper Fuel
P	Wide Plain Washer
PHMS	Pan Head Machine Screw
PLOW	Plow Bolt
RHMS	Round Head Machine Screw
RHSNB	Round Head Square Neck Bolt
SCREW LEVELING	Leveling Screw
SCREW THUMB	Thumb Screw
SCREW WELD	Weld Screw
SFCHMS	Slotted Flat Countersunk Head Machine Screw
SFHMS	Slotted Fillister Head Machine Screw
SP	Special
SP SCREW	Special Screw
SQHSS	Square Head Set Screw
SRHMS	Slotted Round Head Machine Screw
SSS	Socket Set Screw
STCS	Self Tapping Cap Screw
STHMS	Slotted Truss Head Machine Screw
WHEEL	Wheel Studs and Hub Long Bolts
WING	Wing Bolt

Replacement Hardware

The **Hardware Legend** above lists hardware abbreviations used in the parts list. All bolts and nuts are Grade 5 unless otherwise noted. The use of improper grades of hardware can result in personal injury, damage to equipment, or loss of property.

Colored Replacement Parts

Land Pride offers replacement parts in factory standard colors and also on select models in Green, Orange, Red and Blue. Because of the variety of colors available, special attention must be given to the part number to prevent ordering the wrong replacement part.

A suffix number corresponding to one of the colors below must be added at the end of Land Pride's part number when ordering a replacement part with that color.

- | | |
|-----------------------------------|---------------------------------|
| 81 Green | 83 Red |
| 82 Orange | 84 Blue |

For example, if you are ordering a replacement part with part number 555-555C and the part you need is red, then add the suffix 83 to the end of the number to make the part number read 555-555C83. Parts ordered without a suffix number will be supplied in factory standard colors.

Black Replacement Parts

Some parts are factory standard black and some must be special ordered black. If your part is special ordered black, a second part number with the additional suffix number 85 on the end will be available. In this situation you must order that part with the suffix number for it to be black. Parts that are factory standard black will not have the suffix number.

Part Number Service Coding

Within the parts list some part numbers are coded for revisions and interchangeability. See notations in revision column.

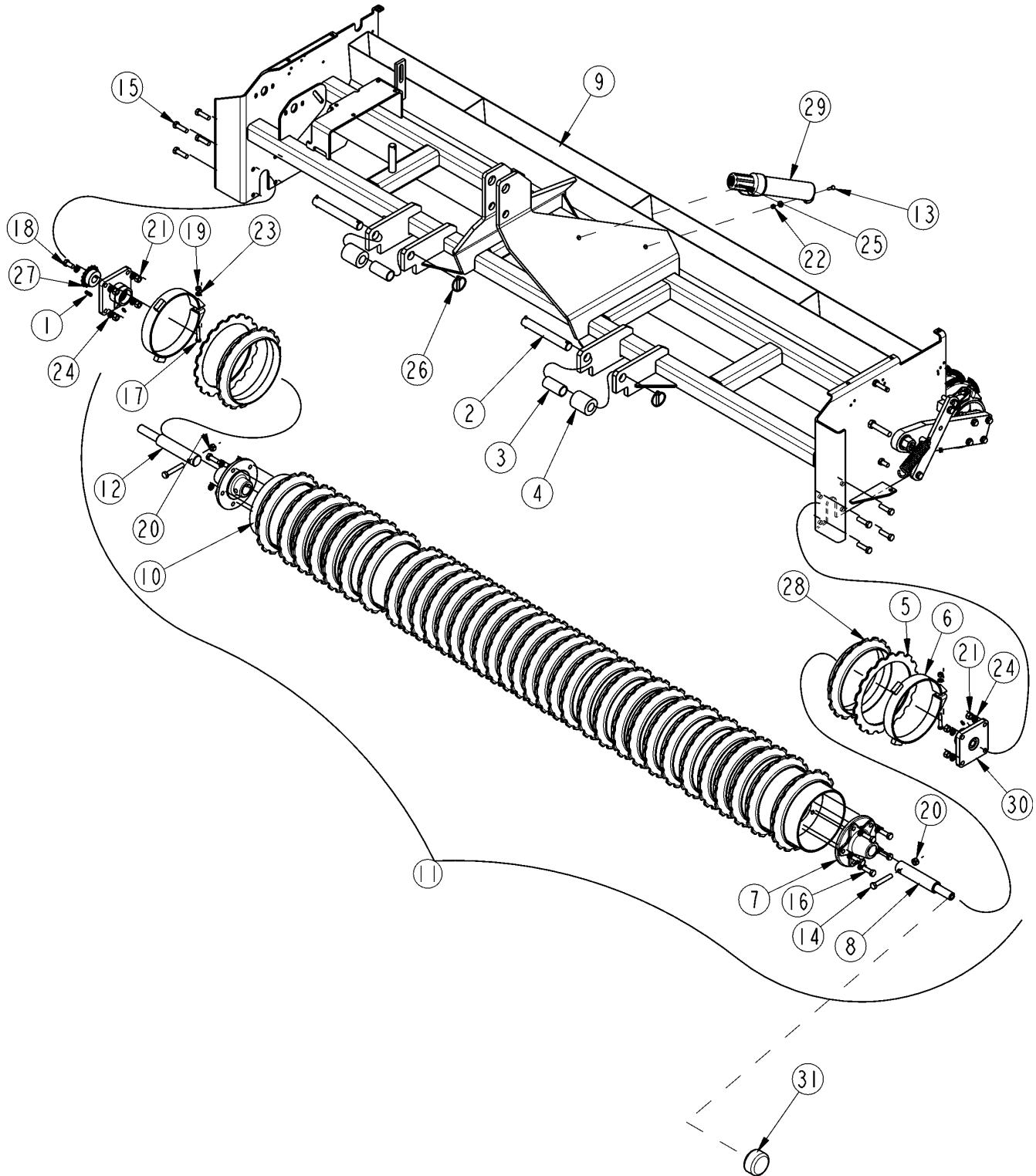
Serial Numbers

Always use the serial and model number when ordering parts. Refer to the Operator's Manual for serial number plate location.

- | | |
|----------------------|--|
| (S/N 20001+) | Includes serial numbers 20001 and above (to the latest number) |
| (S/N 10001 to 20000) | Includes serial numbers between and including 10001 and 20000 |
| (S/N 10000-) | Includes serial numbers 10000 and below (to the earliest number) |

Front Roller And Lower Hitch

Applies to PSN2096



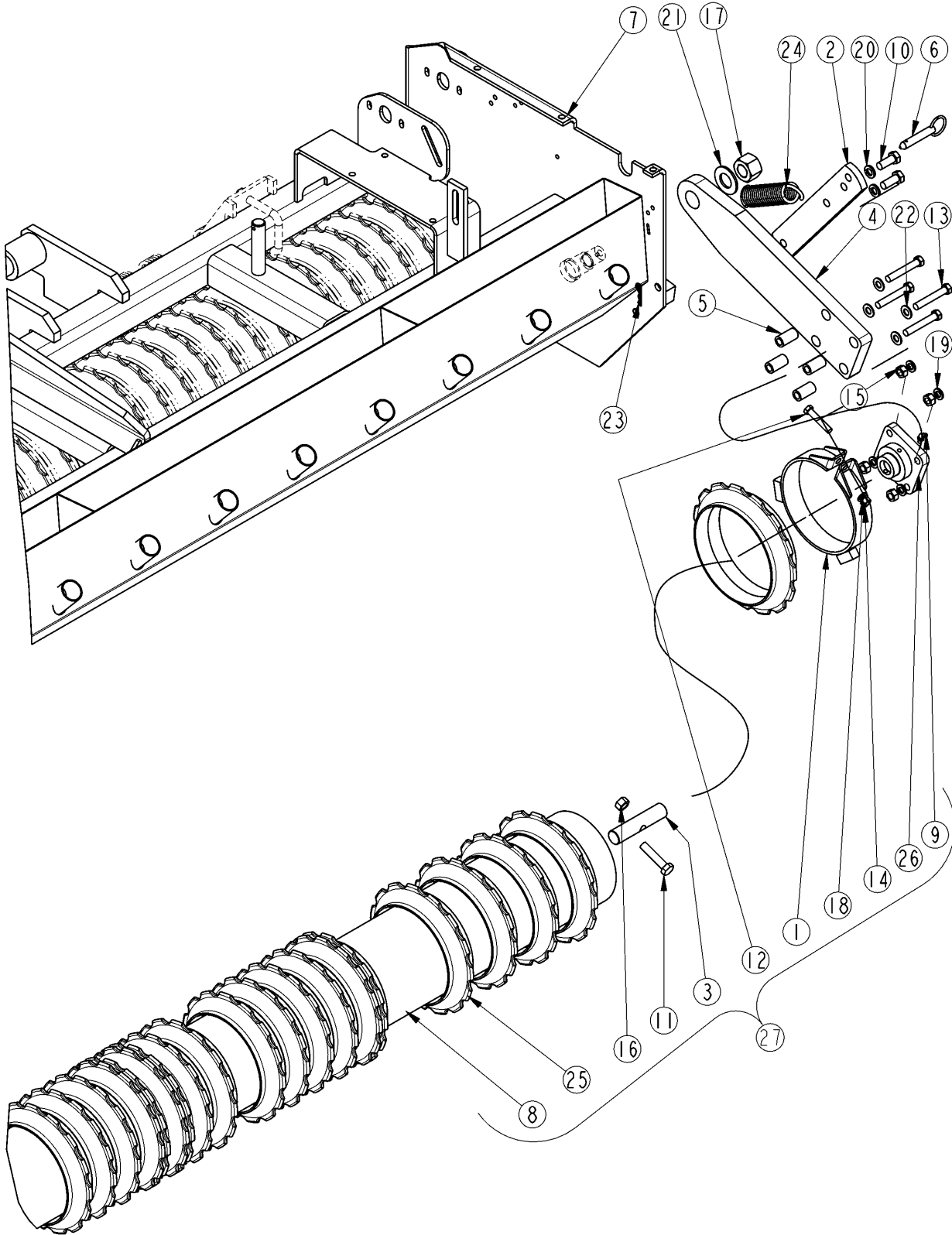
20618

Front Roller And Lower Hitch**Applies to PSN2096**

Ref	Part No.	Part Description	Comments	Revision
	dwg20618	Drawing Image Number		
1.	123-004D	KEY 1/4 X 1		
2.	300-202S	PIN 1 1/8 OD X 7 1/8 USABLE		
3.	300-429D	CAT III BUSHING		
4.	300-431D	TUBE RD 2 1/4ODX1 5/32IDX2 5/8		
5.	308-360D	12 ROLLER SPACER 1/4		
6.	313-006H	FRONT ROLLER CLAMP		
7.	313-018D	FRONT ROLLER HUB		
8.	313-168D	DRIVE SHAFT PS25120		
9.	313-243H	PSN2096 FRAME WELDMENT		
10.	313-253H	PS2096 FRONT ROLLER WELD		
11.	313-254S	PS2096 FRONT ROLLER ASSY		
12.	313-556D	PSN20 DRIVE SHAFT ROLLER		
13.	802-005C	HHCS 1/4-20X1 GR5	S/N 543519+	
14.	802-039C	HHCS 1/2-13X3 GR5		
15.	802-082C	HHCS 1/2-13X1 3/4 GR5		
16.	802-091C	HHCS 1/2-13X1 1/2 GR5		
17.	802-143C	HHCS 3/8-16X2 GR5		
18.	802-240C	HHCS 1/2-20X1 GR5		
19.	803-014C	NUT HEX 3/8-16 PLT		
20.	803-019C	NUT LOCK 1/2-13 PLT		
21.	803-020C	NUT HEX 1/2-13 PLT		
22.	803-255C	NUT HEX NYLOCK 1/4-20	S/N 543519+	
23.	804-013C	WASHER LOCK SPRING 3/8 PLT		
24.	804-015C	WASHER LOCK SPRING 1/2 PLT		
25.	804-075C	WASHER FLAT 1/4 USS PLT	S/N 543519+	
26.	805-015C	PIN LINCH 5/16 X 1 3/4		
27.	808-159C	SPKT 40B17 X 1 BORE W/KW & SS		
28.	812-056C	ROLLER WHEEL 12		
29.	816-504C	MANUAL STORAGE CONTAINER	S/N 543519+	
30.	822-004C	BRG FLG 1.50ID 4BLT LOCK		
31.	890-789C	ACREMETER PS/PSN2096 1640 REV	Not Standard Equipment	

Rear Roller

Applies to PSN2096



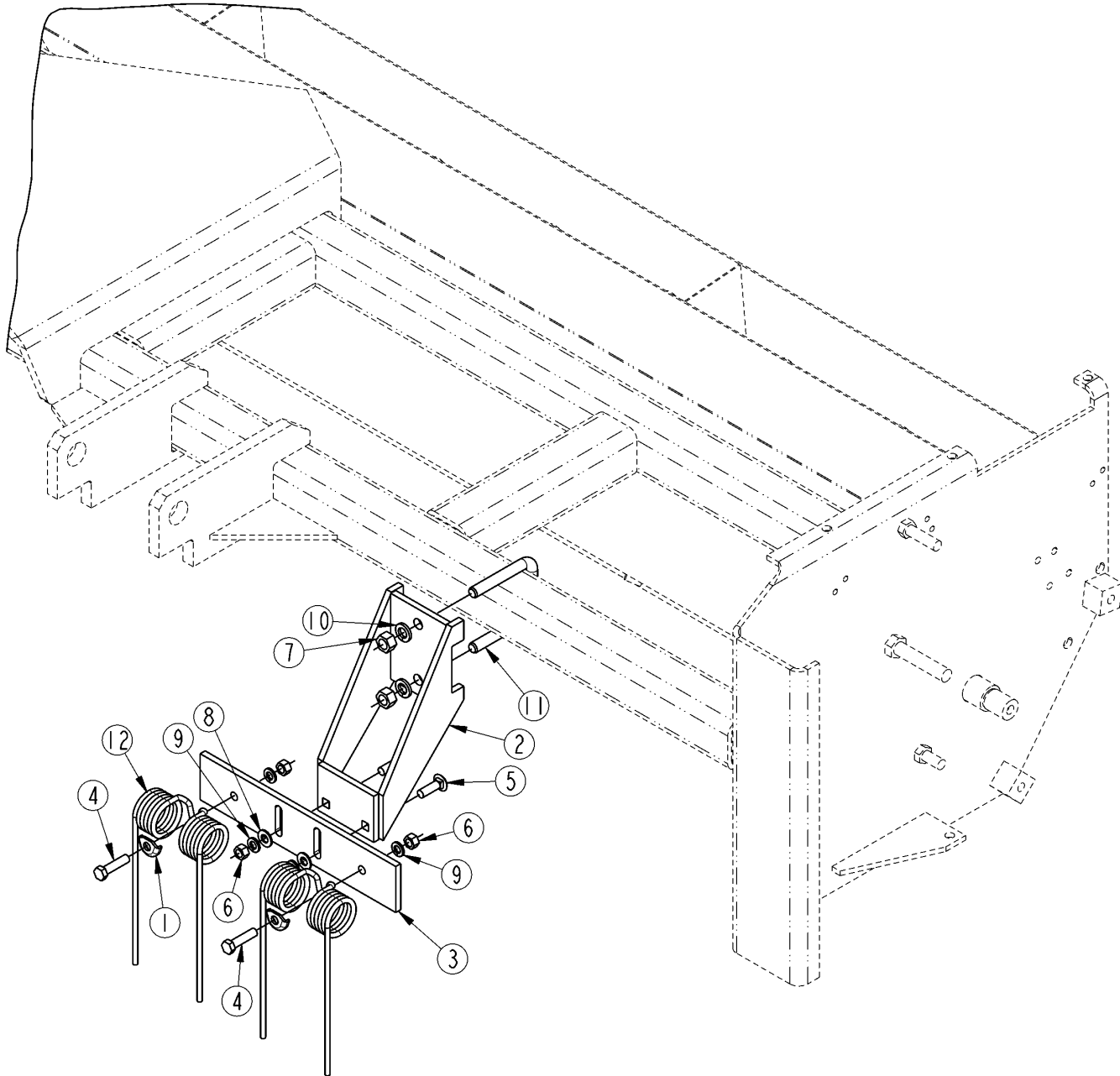
20619

Rear Roller**Applies to PSN2096**

Ref	Part No.	Part Description	Comments	Revision
	dwg20619	Drawing Image Number		
1.	313-014H	REAR ROLLER CLAMP		
2.	313-015D	PIVOT ARM SIDE BAR		
3.	313-035D	REAR ROLLER SHAFT		
4.	313-039H	REAR ROLLER ARM WDMT PS25120	S/N 397232+	Rev. 2 not compat. w/Rev. 1
4.	313-009H	PIVOT ARM REAR ROLLER	S/N 397231-	Rev. 1
5.	313-050D	ROLLER BRG SPACER TUBE		
6.	313-063S	REAR ROLLER LOCK PIN ASSY		
7.	313-243H	PSN2096 FRAME WELDMENT		
8.	313-256H	PS2096 REAR ROLLER WELD		
9.	800-316C	GREASE ZERK 1/4-28 X 45-DEG LG		
10.	802-034C	HHCS 1/2-13X1 1/4 GR5		
11.	802-038C	HHCS 1/2-13X2 1/4 GR5		
12.	802-143C	HHCS 3/8-16X2 GR5		
13.	802-315C	HHCS 7/16-14X2 3/4 GR5		
14.	803-014C	NUT HEX 3/8-16 PLT		
15.	803-015C	NUT HEX 7/16-14 PLT		
16.	803-019C	NUT LOCK 1/2-13 PLT		
17.	803-038C	NUT HEX 1-8 NYLON INSERT PLT		
18.	804-013C	WASHER LOCK SPRING 3/8 PLT		
19.	804-014C	WASHER LOCK 7/16 PLT		
20.	804-015C	WASHER LOCK SPRING 1/2 PLT		
21.	804-029C	WASHER FLAT 1 SAE		
22.	804-041C	WASHER FLAT 7/16 SAE PLT		
23.	805-010C	PIN HAIR COTTER .094		
24.	807-050C	SPRING EXT 1 13/32 X 6 EXT		
25.	812-133C	9 1/2 O.D. NOTCHED ROLLER		
26.	822-085C	BEARING 1 BORE X 4 BOLT		
27.	313-255S	PS2096 REAR ROLLER ASSY		

Track Removers

Applies to PSN2096



20637

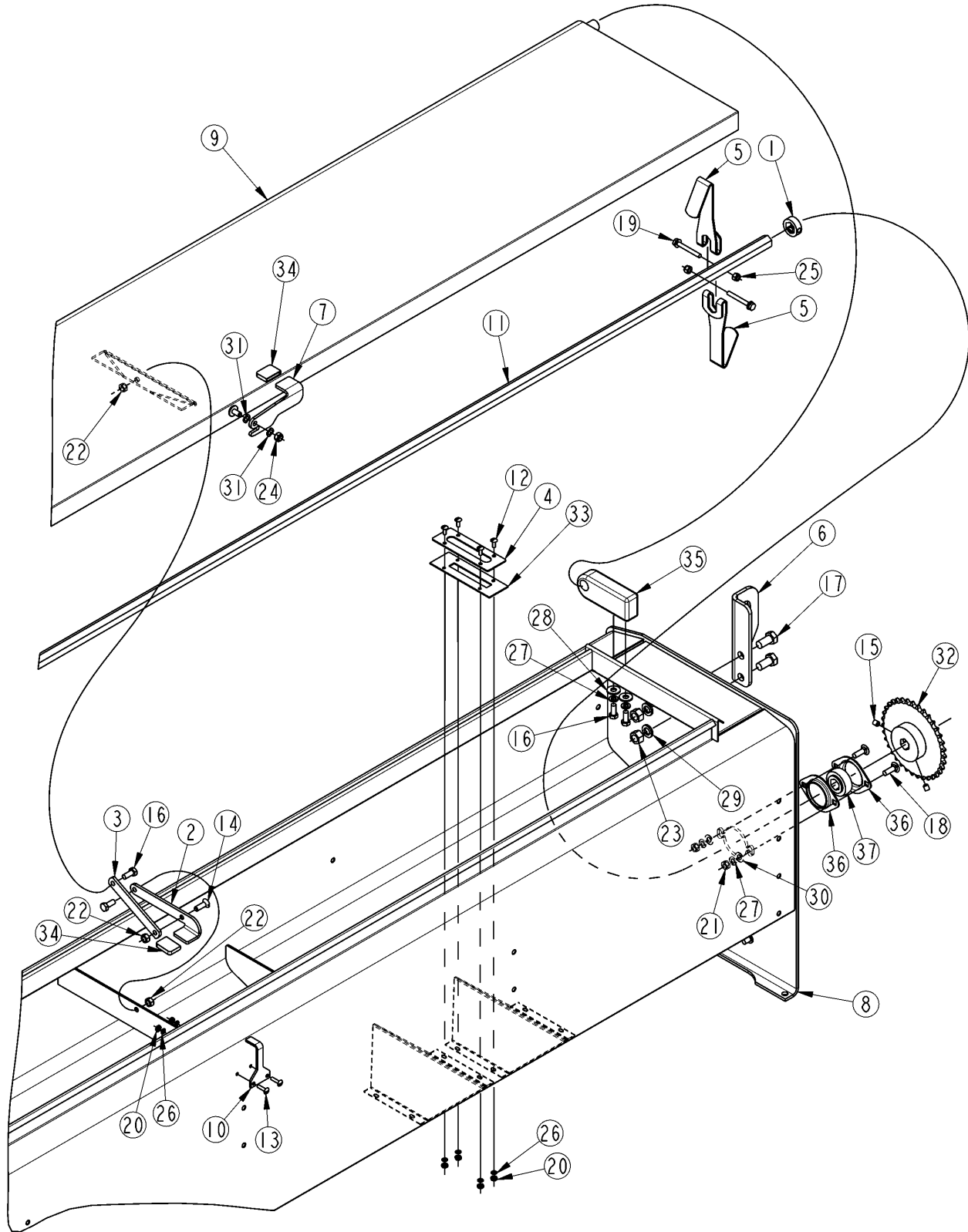
Track Removers

Applies to PSN2096

Ref	Part No.	Part Description	Comments	Revision
	dwg20637	Drawing Image Number		
	313-028A	TRACK REMOVER BUNDLE		
1.	308-180D	TINE RETAINER WASHER		
2.	313-027H	FRAME MTG TRACK REMOVER		
3.	313-060D	TINE MOUNTING PLATE		
4.	802-022C	HHCS 3/8-16X1 1/2 GR5		
5.	802-155C	RHSNB 3/8-16X1 1/4 GR5		
6.	803-014C	NUT HEX 3/8-16 PLT		
7.	803-020C	NUT HEX 1/2-13 PLT		
8.	804-012C	WASHER FLAT 3/8 SAE PLT		
9.	804-013C	WASHER LOCK SPRING 3/8 PLT		
10.	804-015C	WASHER LOCK SPRING 1/2 PLT		
11.	806-010C	U-BOLT 1/2-13 X 2 1/2 X 3 1/2		
12.	807-044C	DOUBLE TORSION SPRING		

Box Assembly S/N 378042-

Applies to PSN2096



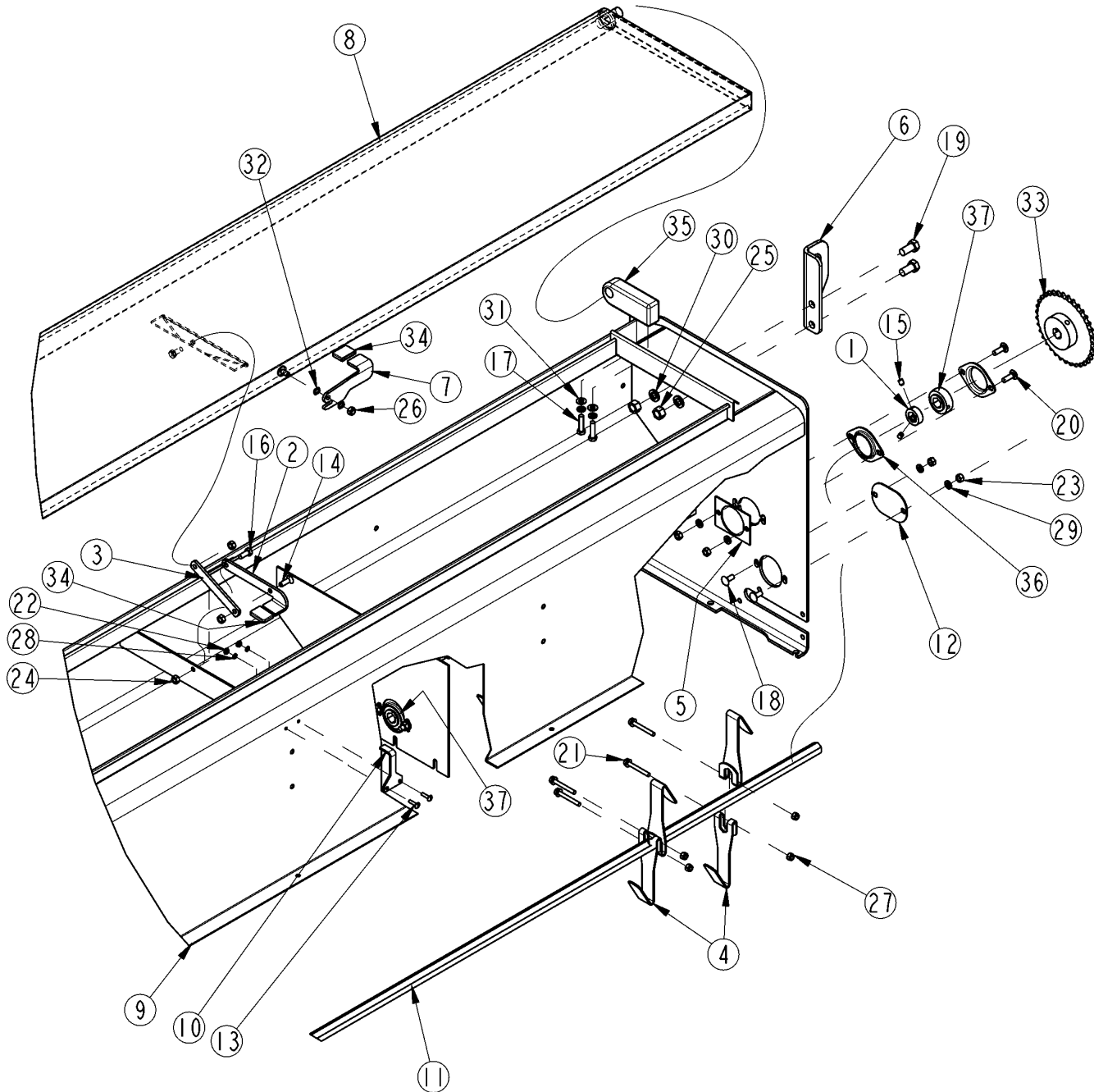
20620

Box Assembly S/N 378042-**Applies to PSN2096**

Ref	Part No.	Part Description	Comments	Revision
	dwg20620	Drawing Image Number		
1.	118-494D	LOCK COLLAR 3/4 HEX BORE		
2.	179-021D	LID LATCH - LOWER ARM		
3.	179-022D	LID LATCH - UPPER ARM		
4.	202-055D	GRASS SEED METER WHEEL COVER		
5.	202-185D	NG ADGITATOR PADDLE		
6.	308-193D	OVERSEEDER/PRIMARY SLING BRKT		
7.	308-394D	OS48/72 LID LATCH - HANDLE		
8.	313-279H	PSN2096 NATIVE GRASS BOX WELD		
9.	313-280H	PSN2096 NG BOX LID WELD		
10.	313-475D	NG LID LATCH STRIKE		
11.	313-487D	PSN2096 AGITATOR SHAFT		
12.	801-003C	SCREW RD HD SLT 10-24X1/2 PLT		
13.	801-021C	SCREW RD HD 10-24 X 3/4 PLT		
14.	801-024C	SCREW 5/16-18X82DEG CNTSKX1P		
15.	801-035C	SCREW SET 5/16-18 SKT KP X 3/8		
16.	802-007C	HHCS 5/16-18X3/4 GR5		
17.	802-258C	HHCS 1/2-13X1 GR5		
18.	802-282C	RHSNB 5/16-18X1 GR5		
19.	802-448C	HFSS 1/4-20X2 GR5		
20.	803-001C	NUT HEX 10-24 PLT		
21.	803-008C	NUT HEX 5/16-18 PLT		
22.	803-011C	NUT LOCK 5/16-18 PLT		
23.	803-020C	NUT HEX 1/2-13 PLT		
24.	803-084C	NUT HEX NYLOCK 5/16-18 PLT		
25.	803-255C	NUT HEX NYLOCK 1/4-20		
26.	804-004C	WASHER INTERNAL STAR #10 PLT		
27.	804-009C	WASHER LOCK SPRING 5/16 PLT		
28.	804-010C	WASHER FLAT 5/16 USS PLT		
29.	804-015C	WASHER LOCK SPRING 1/2 PLT		
30.	804-036C	WASHER FLAT 5/16 SAE PLT		
31.	804-056C	WASHER WAVE SPRING 5/16		
32.	808-185C	SPKT 40B35 X 3/4 HEX BORE W/SS		
33.	816-051C	GASKET GRASS SEED METER WHEEL		
34.	817-033C	LID LATCH GRIP		
35.	817-443C	PLASTIC LID HINGE		
36.	822-041C	FLANGETTE 47 MST		
37.	822-128C	BEARING 3/4HEX B 47MM SPHER OD		

Box Assembly S/N 378043 to 573763

Applies to PSN2096



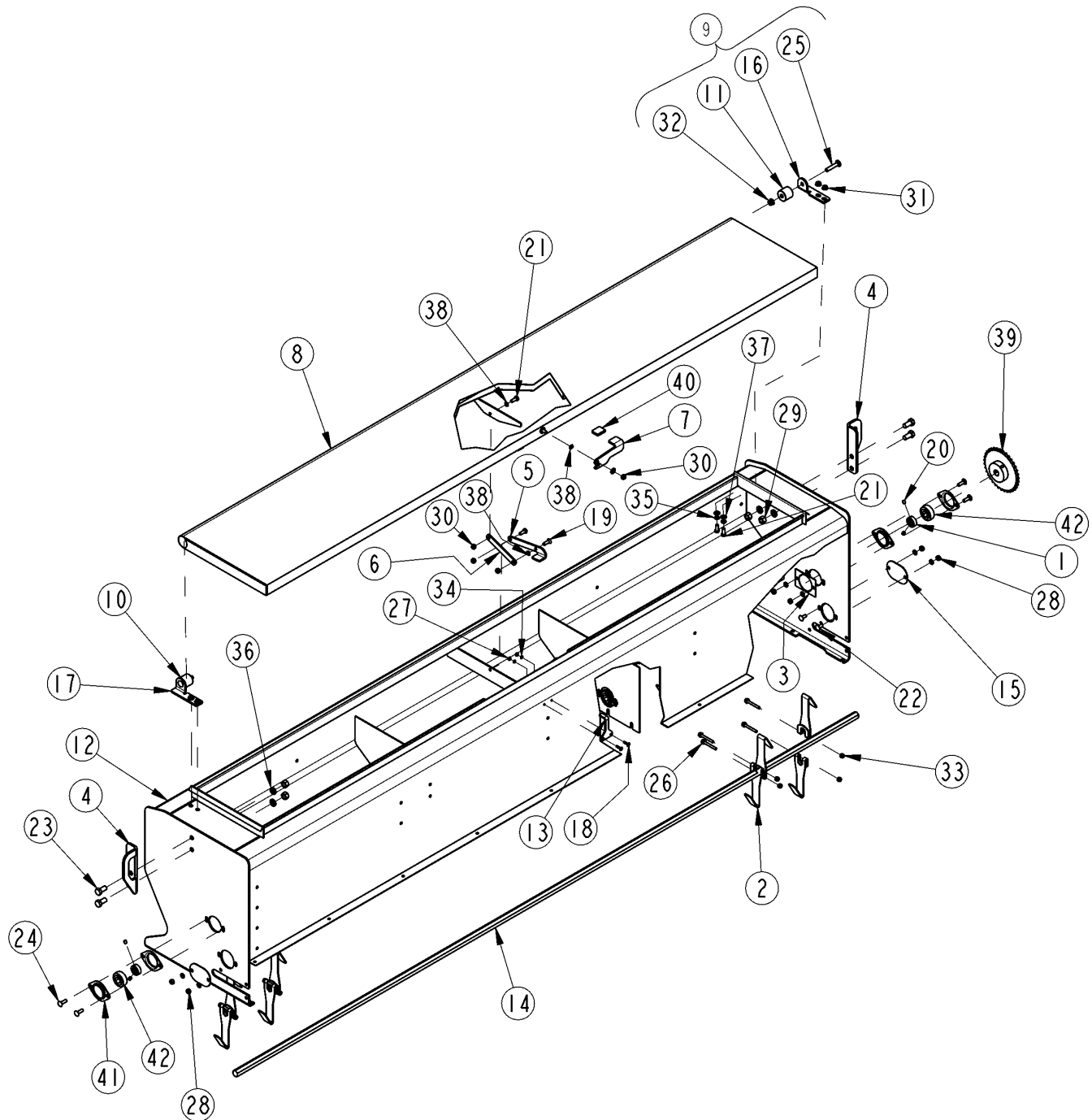
21293

Box Assembly S/N 378043 to 573763**Applies to PSN2096**

Ref	Part No.	Part Description	Comments	Revision
	dwg21293	Drawing Image Number		
1.	118-494D	LOCK COLLAR 3/4 HEX BORE		
2.	179-021D	LID LATCH - LOWER ARM		
3.	179-022D	LID LATCH - UPPER ARM		
4.	202-185D	NG ADGITATOR PADDLE		
5.	202-192D	NG BOX BEARING COVER		
6.	308-193D	OVERSEEDER/PRIMARY SLING BRKT		
7.	308-394D	OS48/72 LID LATCH - HANDLE		
8.	313-280H	PSN2096 NG BOX LID WELD		
9.	313-341H	PSN/PS2096 SEED BOX BOLTON		
10.	313-475D	NG LID LATCH STRIKE		
11.	313-487D	PSN2096 AGITATOR SHAFT		
12.	313-643D	PS20 BOX END PLT COVER		
13.	801-021C	SCREW RD HD 10-24 X 3/4 PLT		
14.	801-024C	SCREW 5/16-18X82DEG CNTSKX1P		
15.	801-035C	SCREW SET 5/16-18 SKT KP X 3/8		
16.	802-007C	HHCS 5/16-18X3/4 GR5		
17.	802-010C	HHCS 5/16-18X1 1/4 GR5		
18.	802-092C	RHSNB 5/16-18X3/4 GR5		
19.	802-258C	HHCS 1/2-13X1 GR5		
20.	802-282C	RHSNB 5/16-18X1 GR5		
21.	802-448C	HFSS 1/4-20X2 GR5		
22.	803-001C	NUT HEX 10-24 PLT		
23.	803-008C	NUT HEX 5/16-18 PLT		
24.	803-011C	NUT LOCK 5/16-18 PLT		
25.	803-020C	NUT HEX 1/2-13 PLT		
26.	803-084C	NUT HEX NYLOCK 5/16-18 PLT		
27.	803-255C	NUT HEX NYLOCK 1/4-20		
28.	804-004C	WASHER INTERNAL STAR #10 PLT		
29.	804-009C	WASHER LOCK SPRING 5/16 PLT		
30.	804-015C	WASHER LOCK SPRING 1/2 PLT		
31.	804-036C	WASHER FLAT 5/16 SAE PLT		
32.	804-056C	WASHER WAVE SPRING 5/16		
33.	808-185C	SPKT 40B35 X 3/4 HEX BORE W/SS		
34.	817-033C	LID LATCH GRIP		
35.	817-443C	PLASTIC LID HINGE		
36.	822-041C	FLANGETTE 47 MST		
37.	822-128C	BEARING 3/4HEX B 47MM SPHER OD		

Box Assembly S/N 573764+

Applies to PSN2096



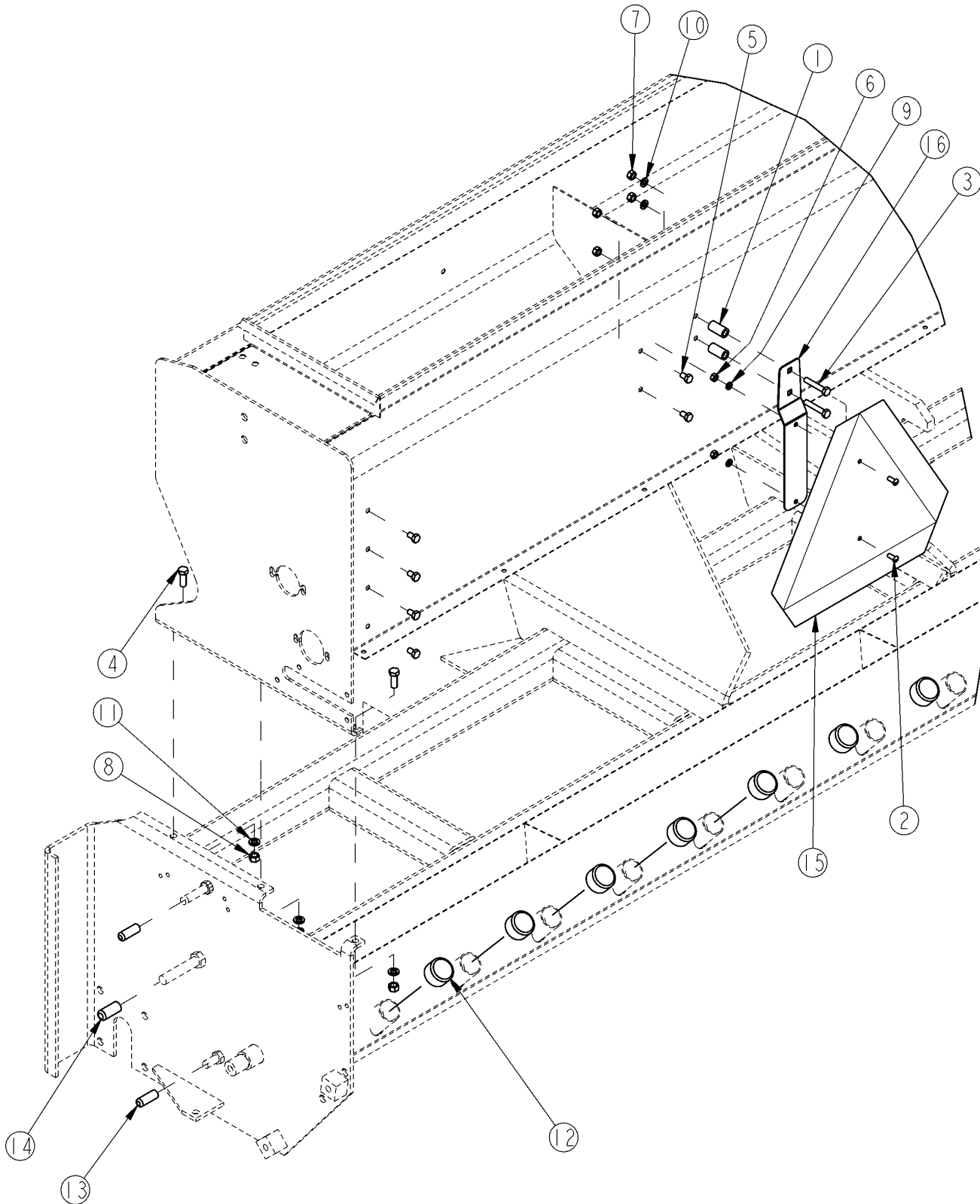
25986

Box Assembly S/N 573764+**Applies to PSN2096**

Ref	Part No.	Part Description	Comments	Revision
	dwg25986	Drawing Image Number		
1.	118-494D	LOCK COLLAR 3/4 HEX BORE		
2.	202-185D	NG ADGITATOR PADDLE		
3.	202-192D	NG BOX BRG COVER		
4.	308-193D	OS/PS SLING BKT		
5.	308-392D	LID LATCH - LOWER ARM		
6.	308-393D	LID LATCH - UPPER ARM		
7.	308-394D	LID LATCH - HANDLE		
8.	313-019H	LID WELDMENT, 96"		
9.	313-024S	PS LID HINGE ASSEMBLY RH		
10.	313-104S	PS LID HINGE ASSEMBLY LH		
11.	313-186D	LID HINGE PIVOT		
12.	313-341H	PS(N)2096 SEEDBX BOLTON		
13.	313-475D	NG LID LATCH STRIKE		
14.	313-487D	PSN2096 AGITATOR SHAFT		
15.	313-643D	PS20 BOX END PLT COVER		
16.	313-672D	PSN2096 LID HINGE RH		
17.	313-673D	PSN2096 LID HINGE LH		
18.	801-021C	SCREW RD HD 10-24 X 3/4 PLT		
19.	801-024C	SCREW 5/16-18X82DEG CNTSKX1P		
20.	801-035C	SCREW SET 5/16-18 SKT KP X 3/8		
21.	802-007C	HHCS 5/16-18X3/4 GR5		
22.	802-092C	RHSNB 5/16-18X3/4 GR5		
23.	802-258C	HHCS 1/2-13X1 GR5		
24.	802-282C	RHSNB 5/16-18X1 GR5		
25.	802-411C	RHSNB 3/8-16X2 GR5		
26.	802-448C	HFSS 1/4-20X2 GR5		
27.	803-001C	NUT HEX 10-24 PLT		
28.	803-008C	NUT HEX 5/16-18 PLT		
29.	803-020C	NUT HEX 1/2-13 PLT		
30.	803-084C	NUT HEX NYLOCK 5/16-18 PLT		
31.	803-177C	NUT HEX FLG TP LK 5/16-18ZNYCR		
32.	803-209C	NUT FLANGE LOCK 3/8-16 PLT		
33.	803-255C	NUT HEX NYLOCK 1/4-20		
34.	804-004C	WASHER INTERNAL STAR #10 PLT		
35.	804-009C	WASHER LOCK SPRING 5/16 PLT		
36.	804-015C	WASHER LOCK SPRING 1/2 PLT		
37.	804-036C	WASHER FLAT 5/16 SAE PLT		
38.	804-056C	WASHER WAVE SPRING 5/16		
39.	808-185C	SPKT 40B35 X 3/4 HEX BORE W/SS		
40.	817-033C	LID LATCH GRIP		
41.	822-041C	FLANGETTE 47 MST		
42.	822-128C	BRG INS 3/4HEXX1.85OD SPH		

Box To Frame And SMV Assembly

Applies to PSN2096



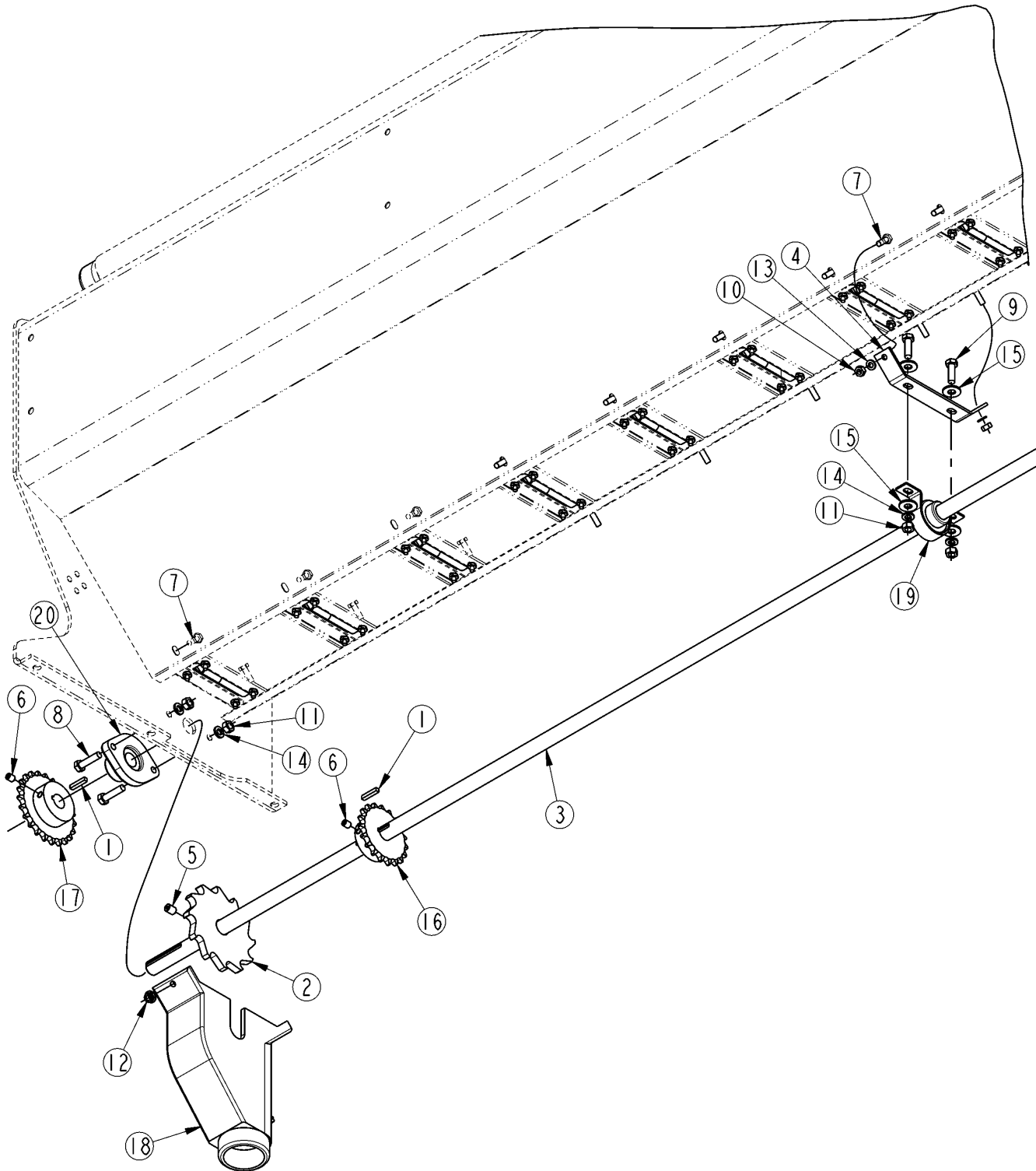
20624

Box To Frame And SMV Assembly**Applies to PSN2096**

Ref	Part No.	Part Description	Comments	Revision
	dwg20624	Drawing Image Number		
1.	313-269D	SGS MOUNT SPACER	S/N 378043+	
2.	801-018C	SCREW RD HD 1/4-20 X 5/8		
3.	802-013C	HHCS 5/16-18X1 3/4 GR5	S/N 378043+	Rev. 2 not compat. w/Rev. 1
3.	802-007C	HHCS 5/16-18X3/4 GR5	S/N 378042-	Rev. 1
4.	802-017C	HHCS 3/8-16X1 GR5		
5.	802-630C	HHCS 5/16-18X1/2 GR5		
6.	803-006C	NUT HEX 1/4-20 PLT		
7.	803-008C	NUT HEX 5/16-18 PLT		
8.	803-014C	NUT HEX 3/8-16 PLT		
9.	804-006C	WASHER LOCK SPRING 1/4 PLT		
10.	804-009C	WASHER LOCK SPRING 5/16 PLT		
11.	804-013C	WASHER LOCK SPRING 3/8 PLT		
12.	817-457C	CAP PLUG 1 1/2 O.D. TUBE		
13.	817-505C	CAP PLUG .44ID X 1.5LG		
14.	817-506C	CAP PLUG .56ID X 1.5 LG		
15.	818-055C	DECAL SLOW MOVING-GALV. BACKED		
16.	890-153C	SMV MOUNTING BLADE		

Seed Cup Assembly S/N 378042-

Applies to PSN2096



20621

Seed Cup Assembly S/N 378042-**Applies to PSN2096**

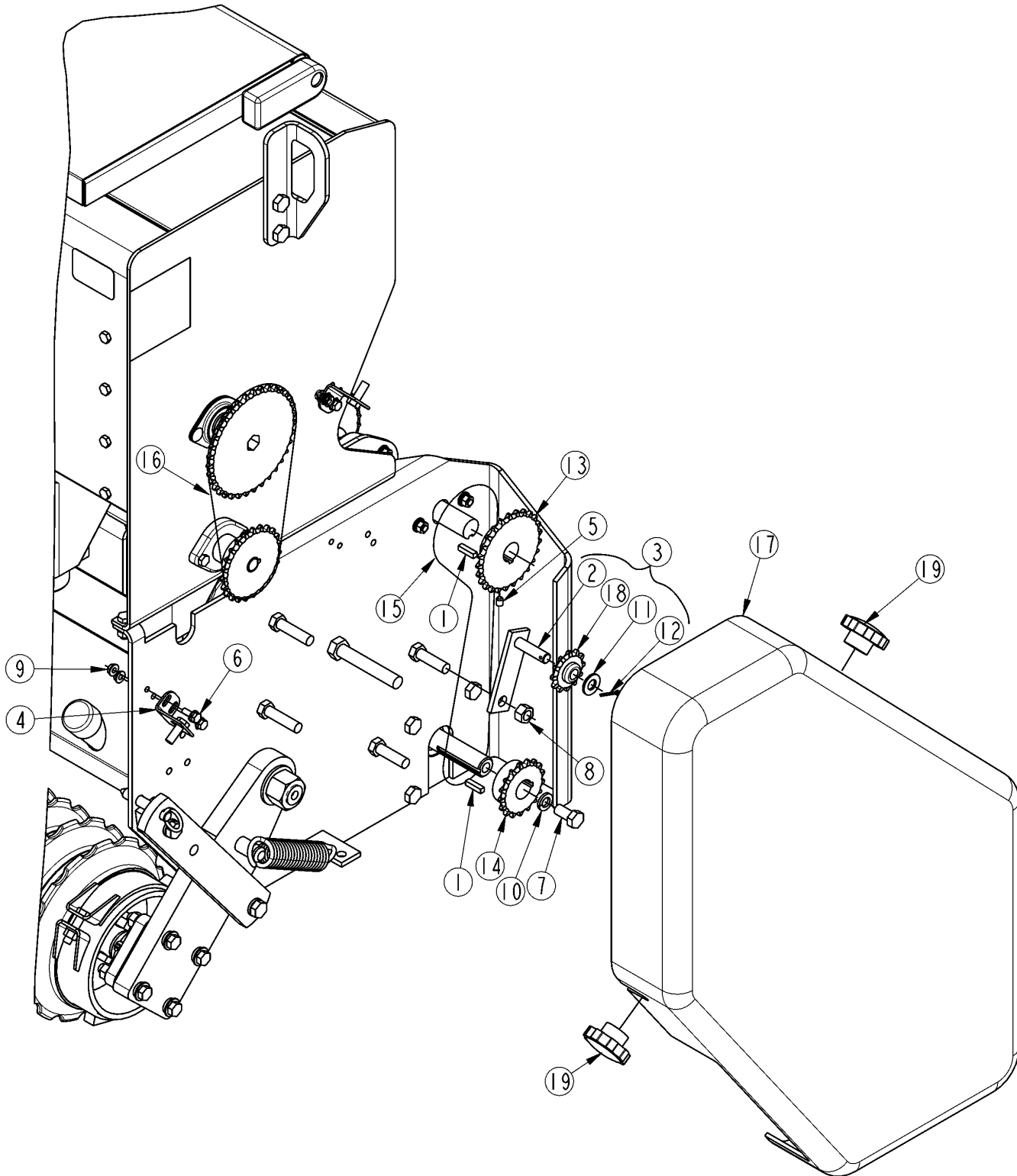
Ref	Part No.	Part Description	Comments	Revision
	dwg20621	Drawing Image Number		
1.	168-127D	3/16 X 1 KEY		
2.	202-007D	GRASS METER SPROCKET		
3.	313-479D	PS2096 NG CUP SHAFT		
4.	313-526D	PSN20 NG CEN BRG HANGER		
5.	801-022C	SCREW SET SQ HD 3/8-16 X 1/2 P		
6.	801-035C	SCREW SET 5/16-18 SKT KP X 3/8		
7.	802-004C	HHCS 1/4-20X3/4 GR5		
8.	802-010C	HHCS 5/16-18X1 1/4 GR5		
9.	802-159C	HHCS 5/16-18X1 GR5		
10.	803-006C	NUT HEX 1/4-20 PLT		
11.	803-008C	NUT HEX 5/16-18 PLT		
12.	803-194C	NUT HEX WHIZ 1/4-20 PLT		
13.	804-006C	WASHER LOCK SPRING 1/4 PLT		
14.	804-009C	WASHER LOCK SPRING 5/16 PLT		
15.	804-010C	WASHER FLAT 5/16 USS PLT		
16.	808-069C	SPKT 40B19 X 3/4 B W/ KW & SS		
17.	808-281C	SPKT 40B23 3/4B W/KW & SS		
18.	812-054C	CASTING GRASS SEED FEEDER CUP		
19.	822-057C	BEARING PILLOW BLK PB 3/4W/HSG		
20.	822-071C	BEARING CAST 3/4 - 2 BOLT		

Seed Cup Assembly S/N 378043+**Applies to PSN2096**

Ref	Part No.	Part Description	Comments	Revision
	dwg21294	Drawing Image Number		
1.	168-127D	3/16 X 1 KEY		
2.	202-007D	GRASS METER SPROCKET		
3.	202-055D	GRASS SEED METER WHEEL COVER		
4.	313-340H	PSN2096 BOLTON TRAY WELD		
5.	313-479D	PS2096 NG CUP SHAFT		
6.	313-646D	ENDPLATE TIE BAR		
7.	801-002C	SCREW HEX SLT10-16X1/2P.THD CT		
8.	801-022C	SCREW SET SQ HD 3/8-16 X 1/2 P		
9.	801-035C	SCREW SET 5/16-18 SKT KP X 3/8		
10.	802-007C	HHCS 5/16-18X3/4 GR5		
11.	802-010C	HHCS 5/16-18X1 1/4 GR5		
12.	802-148C	HFSS 1/4-20X1/2 GR5		
13.	802-257C	HFSS 1/4-20X3/4 GR5		
14.	802-705C	HHCS 5/16-18X5/8		
15.	803-008C	NUT HEX 5/16-18 PLT		
16.	803-194C	NUT HEX WHIZ 1/4-20 PLT		
17.	804-009C	WASHER LOCK SPRING 5/16 PLT		
18.	804-010C	WASHER FLAT 5/16 USS PLT		
19.	808-069C	SPKT 40B19 X 3/4 B W/ KW & SS		
20.	808-281C	SPKT 40B23 3/4B W/KW & SS		
21.	812-054C	CASTING GRASS SEED FEEDER CUP		
22.	816-051C	GASKET GRASS SEED METER WHEEL		
23.	822-057C	BEARING PILLOW BLK PB 3/4W/HSG		
24.	822-071C	BEARING CAST 3/4 - 2 BOLT		

Drive Chains And Chain Cover Assembly

Applies to PSN2096



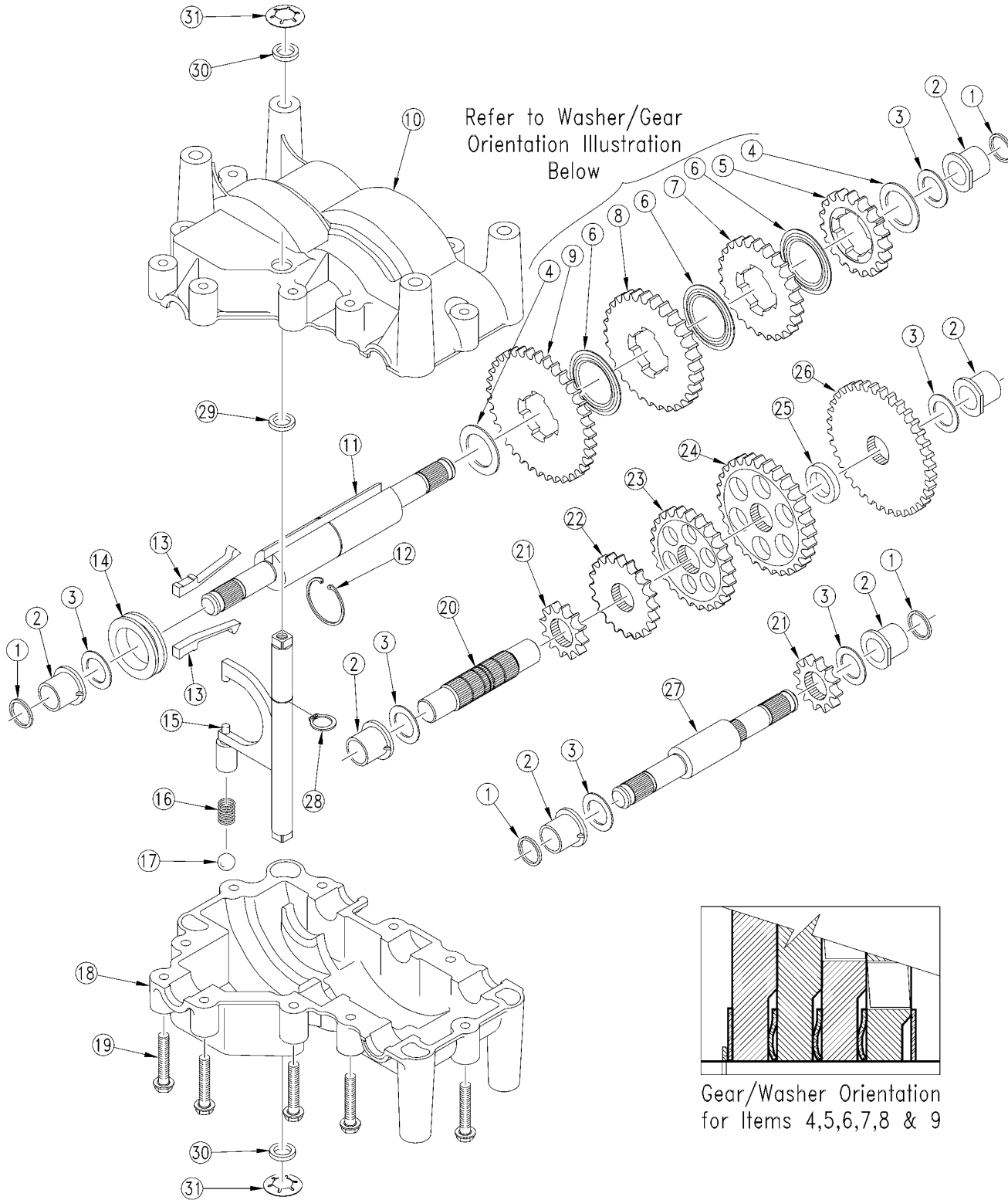
20623

Drive Chains And Chain Cover Assembly**Applies to PSN2096**

Ref	Part No.	Part Description	Comments	Revision
	dwg20623	Drawing Image Number		
1.	123-004D	KEY 1/4 X 1		
2.	313-015H	LOWER IDLER ARM		
3.	313-021S	LOWER IDLER ARM SUB		
4.	313-182H	PS25120 CHAIN GUARD MTG.-LG.		
5.	801-035C	SCREW SET 5/16-18 SKT KP X 3/8		
6.	802-196C	HFSS 1/4-20X5/8 GR5		
7.	802-240C	HHCS 1/2-20X1 GR5		
8.	803-019C	NUT LOCK 1/2-13 PLT		
9.	803-194C	NUT HEX WHIZ 1/4-20 PLT		
10.	804-015C	WASHER LOCK SPRING 1/2 PLT		
11.	804-016C	WASHER FLAT 1/2 SAE PLT		
12.	805-064C	PIN COTTER 7/64 X 1 LONG		
13.	808-038C	SPKT 40B25 X 1 B W/KW & SS		
14.	808-159C	SPKT 40B17 X 1 BORE W/KW & SS		
15.	809-148C	CHAIN RL #40 X 74 PITCH W/CON		
16.	809-215C	CHAIN #40 57 PITCH W/CON		
17.	816-370C	PSN20 OUTER DRIVE COVER		
18.	817-025C	NO. 40 12T IDLER SPKT.		
19.	817-259C	KNOB 3/8-16 FEMALE THD 2 3/8 OD		

Gearbox (890-282C)

Applies to PSN2096



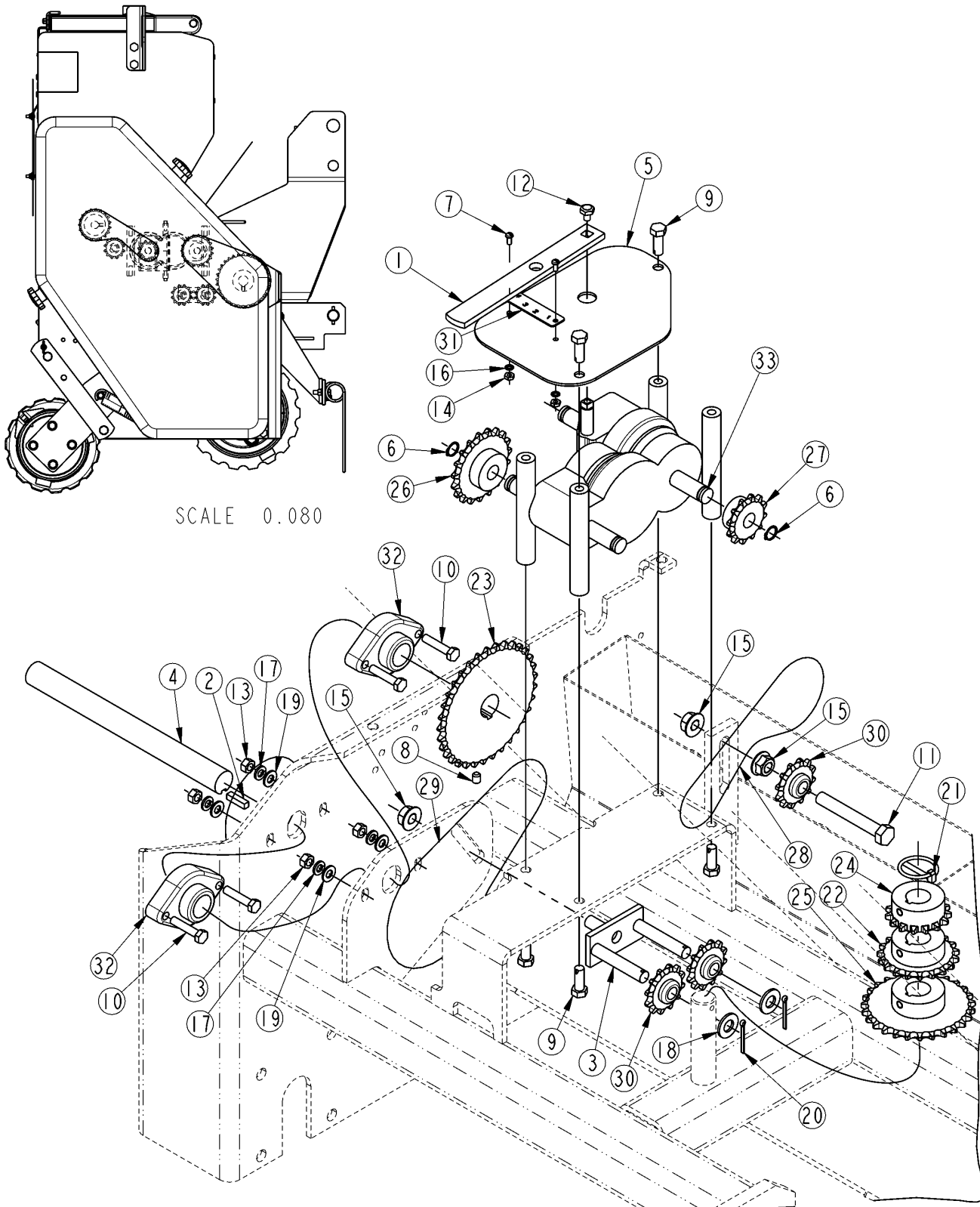
12056

Gearbox (890-282C)**Applies to PSN2096**

Ref	Part No.	Part Description	Comments	Revision
	dwg12056	Drawing Image Number		
1.	788051A	P/T RING SQUARE CUT		
2.	780105A	P/T BUSHING FLANGED		
3.	780072	P/T WASHER		
4.	780090	P/T WASHER		
5.	778273	P/T SPUR GEAR 19T		
6.	780108	P/T WASHER		
7.	778123A	P/T SPUR GEAR 25T		
8.	778124A	P/T SPUR GEAR 30T		
9.	778146A	P/T SPUR GEAR 37T		
10.	770119	P/T CASE CASTING 9100		
11.	776370	P/T SHIFTER & OUTPUT SHAFT		
12.	788078A	P/T RETAINING RING INVERTED		
13.	792159	P/T SHIFT KEY		
14.	784371	P/T SHIFT COLLAR		
15.	784312	P/T SHIFT ROD & FORK ASSY		
16.	792142	P/T SPRING		
17.	792139	P/T BALL 3/8 DIA		
18.	772131	P/T COVER CASTING 9100 4 SPD		
19.	792073A	P/T HHCS THD FORMING		
20.	776397	P/T OUTPUT SHAFT		
21.	778211	P/T SPUR GEAR 12T		
22.	778126A	P/T SPUR GEAR 20T		
23.	778127A	P/T SPUR GEAR 25T		
24.	778163	P/T SPUR GEAR 31T		
25.	786088	P/T SPACER		
26.	778319	P/T SPUR GEAR 36T		
27.	776368	P/T INPUT SHAFT		
28.	792017	P/T RETAINING RING		
29.	780095	P/T WASHER		
30.	788069	P/T RING SQUARE CUT		
31.	792145	P/T PUSHNUT 1/2		
31.	788067B	P/T GREASE TUBE 32 OZ	Not shown.	
31.	510334	P/T ANAEROBIC SEALANT	Not shown.	

Gearbox And Drive Assembly

Applies to PSN2096



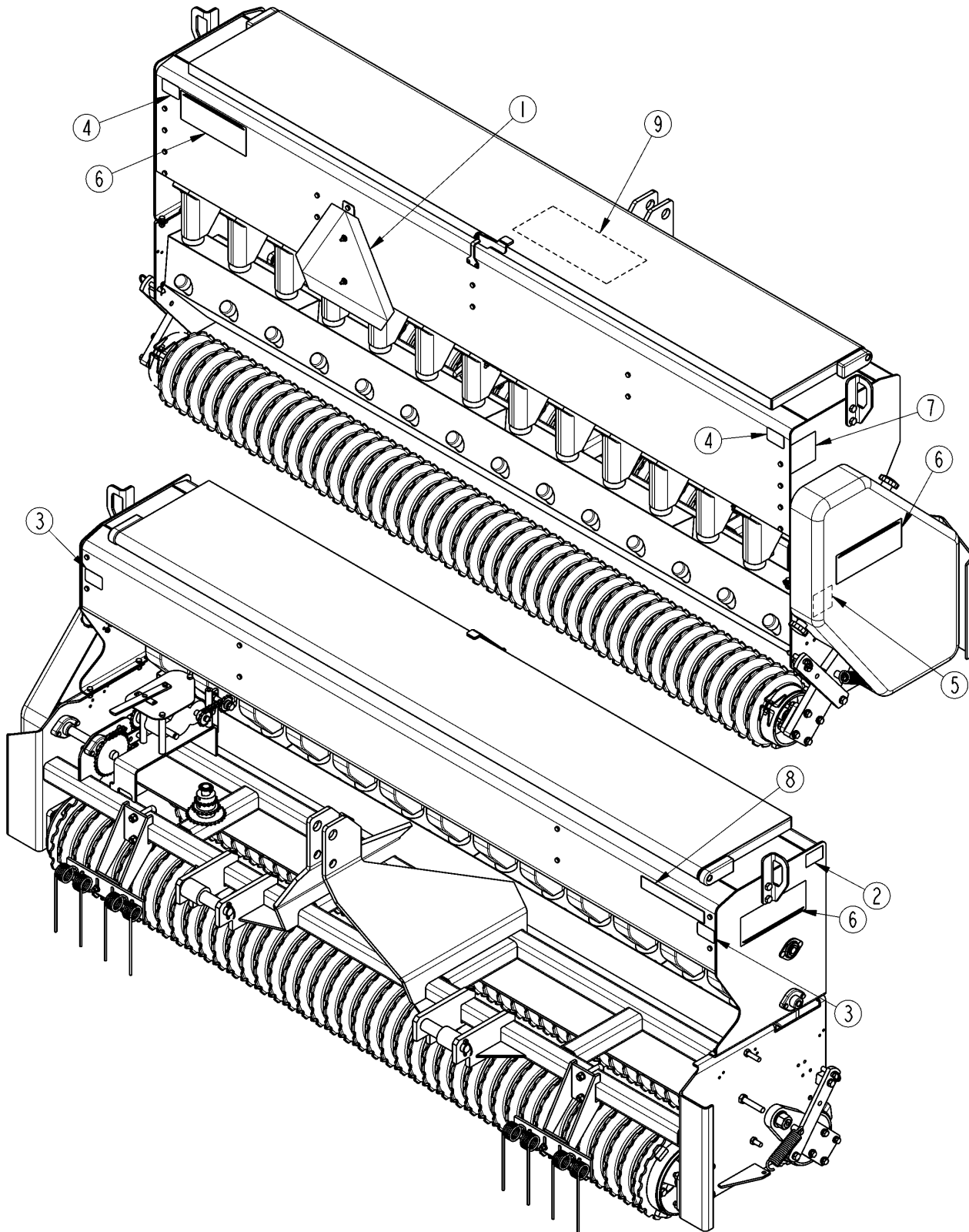
20622

Gearbox And Drive Assembly**Applies to PSN2096**

Ref	Part No.	Part Description	Comments	Revision
	dwg20622	Drawing Image Number		
1.	120-237D	GEARBOX SHIFT HANDLE		
2.	123-004D	KEY 1/4 X 1		
3.	313-310H	PSN20 IDLER PIVOT		
4.	313-554D	PSN20 GEARBOX JACKSHAFT		
5.	313-557D	PSN20 SHIFTER MTG PLT.		
6.	800-141C	SNAP RING EXT F/PEERLESS G.B.		
7.	801-001C	SCREW RD HD 8-32 X 3/8 BRASS		
8.	801-035C	SCREW SET 5/16-18 SKT KP X 3/8		
9.	801-076C	SCR SELF TAPPING 3/8X1		
10.	802-012C	HHCS 5/16-18X1 1/2 GR5		
11.	802-041C	HHCS 1/2-13X3 1/2 GR5		
12.	802-300C	HHCS 1/4-28X3/8 GR5		
13.	803-008C	NUT HEX 5/16-18 PLT		
14.	803-035C	NUT HEX 8-32 BRASS		
15.	803-037C	NUT HEX WHIZ 1/2-13 PLT		
16.	804-002C	WASHER INTERNAL STAR #8 BRASS		
17.	804-009C	WASHER LOCK SPRING 5/16 PLT		
18.	804-016C	WASHER FLAT 1/2 SAE PLT		
19.	804-036C	WASHER FLAT 5/16 SAE PLT		
20.	805-109C	PIN COTTER 1/8 X 1 1/4 PLT		
21.	805-240C	PIN LYNCH 3/16 X 1 9/16 LONG		
22.	808-054C	SPKT 40B19		
23.	808-055C	SPKT 40B33		
24.	808-062C	SPKT 40B15 X 1 B W/KW & SS		
25.	808-063C	SPKT 40B27 X 1 B W/KW & SS		
26.	808-157C	SPKT 40C19 X 36T SPLINE BORE		
27.	808-160C	SPKT 40B12 X 36T SPLINE BORE		
28.	809-218C	CHAIN #40 40 PITCH W/CON		
29.	809-219C	CHAIN #40 50 PITCH W/CON		
30.	817-025C	NO. 40 12T IDLER SPKT.		
31.	819-059C	DRIVE TYPE PLATE, 4 3 2 1		
32.	822-073C	BEARING 2 BOLT CAM LOCK 1 BORE		
33.	890-282C	GEAR BOX		

Label Placement (Part 1)

Applies to PSN2096



20625

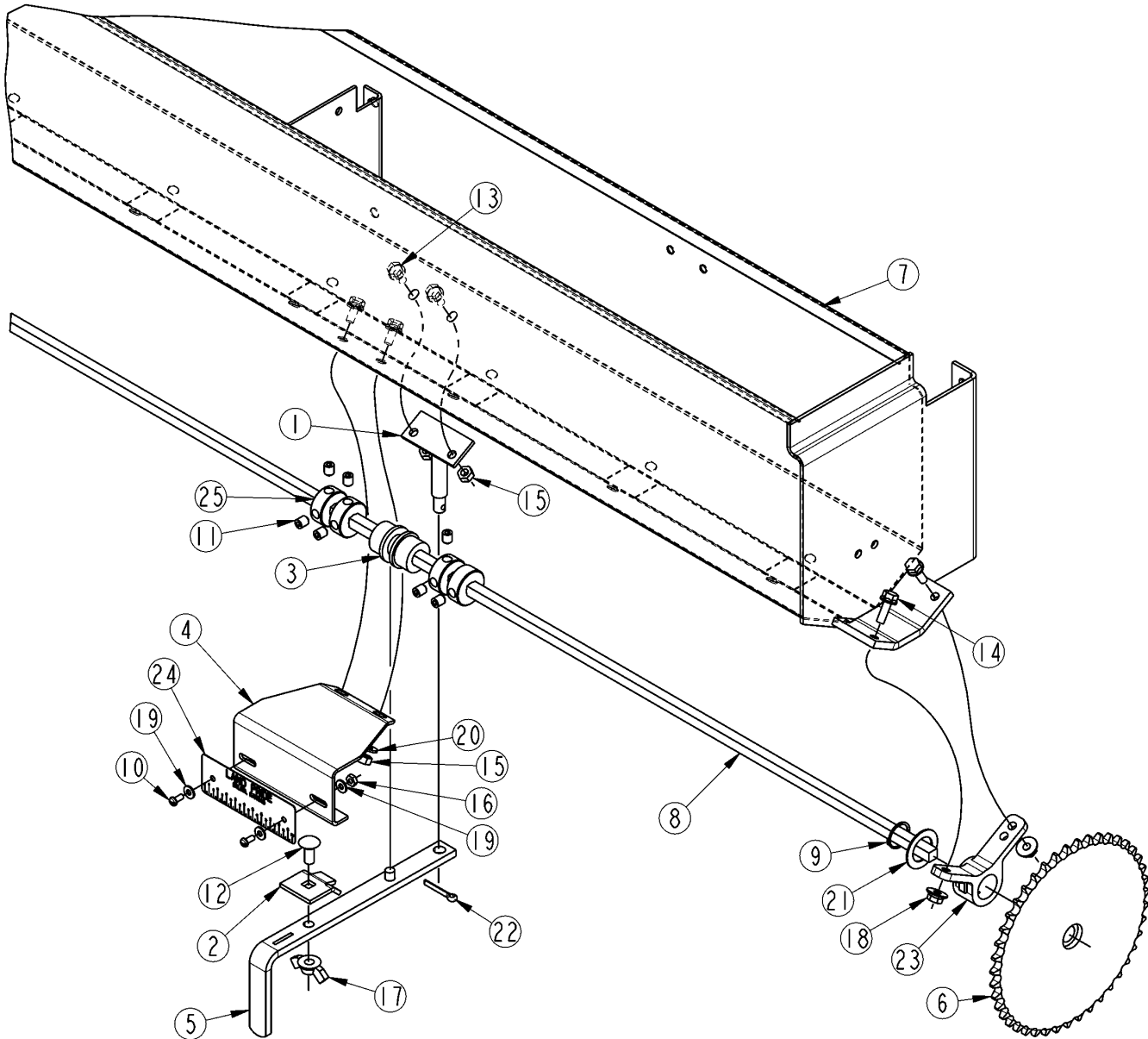
Label Placement (Part 1)

Applies to PSN2096

Ref	Part No.	Part Description	Comments	Revision
	dwg20625	Drawing Image Number		
	313-336A	PSN2096 DECAL PACKAGE		
1.	818-055C	DECAL SLOW MOVING-GALV. BACKED		
2.	818-190C	DECAL FLAG		
3.	818-229C	DECAL AMBER REFLECTOR		
4.	818-230C	DECAL RED REFLECTOR		
5.	818-543C	DECAL DANGER PD GUARD MISS SML		
6.	818-890C	DECAL LP W/TREE 10" - 2 COLOR		
7.	838-111C	DECAL DANGER MOVING PARTS		
8.	838-301C	DECAL PSN2096-BROWN		
9.	838-370C	DECAL PSN20 NATIVE GRASS CHART		

Small Grass Seed - Seed Rate Handle

Applies to PSN2096



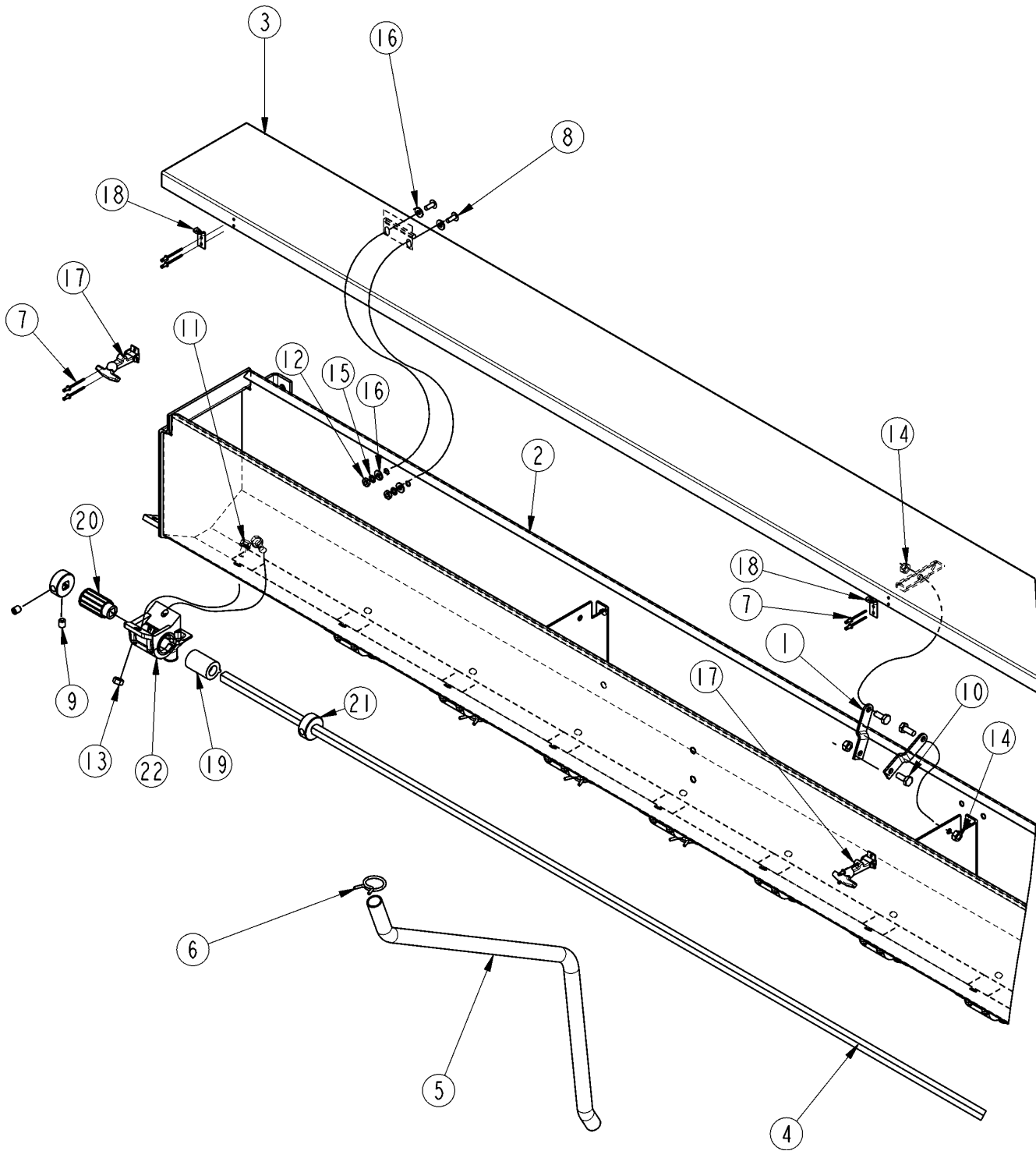
20638

Small Grass Seed - Seed Rate Handle**Applies to PSN2096**

Ref	Part No.	Part Description	Comments	Revision
	dwg20638	Drawing Image Number		
1.	123-050H	ADJUSTMENT HANDLE PIVOT		
2.	123-113D	LOCK TAB		
3.	123-116D	SEED ADJUSTMENT SPOOL		
4.	123-410D	GAUGE MOUNTING BRACKET		
5.	123-476H	REAR SEED RATE ADJ HANDLE WLD		
6.	308-230H	SSB BOX DRIVE SPROCKET 43T		
7.	313-284H	PS2096 SGS BOX WELD		
8.	313-506D	PS2096 SGS CUP SHAFT		
9.	800-028C	SNAP RING .875		
10.	801-001C	SCREW RD HD 8-32 X 3/8 BRASS		
11.	801-035C	SCREW SET 5/16-18 SKT KP X 3/8		
12.	802-092C	RHSNB 5/16-18X3/4 GR5		
13.	802-148C	HFSS 1/4-20X1/2 GR5		
14.	802-257C	HFSS 1/4-20X3/4 GR5		
15.	803-006C	NUT HEX 1/4-20 PLT		
16.	803-035C	NUT HEX 8-32 BRASS		
17.	803-058C	NUT WING 5/16-18		
18.	803-088C	NUT HEX LOCK 1/4-20 FLG		
19.	804-003C	WASHER FLAT #8 BRASS		
20.	804-007C	WASHER FLAT 1/4 SAE PLT		
21.	804-044C	WASHER MACH 1.38 X .876 X .048		
22.	805-019C	PIN COTTER 5/32 X 1 PLT		
23.	817-026C	DRIVE SPROCKET HANGER BEARING		
24.	819-086C	NAME PLATE ADJ. GUIDE SHORT		
25.	890-349C	3/8 SHAFT LOCKING COLLAR		

Small Grass Seed Box Assembly

Applies to PSN2096



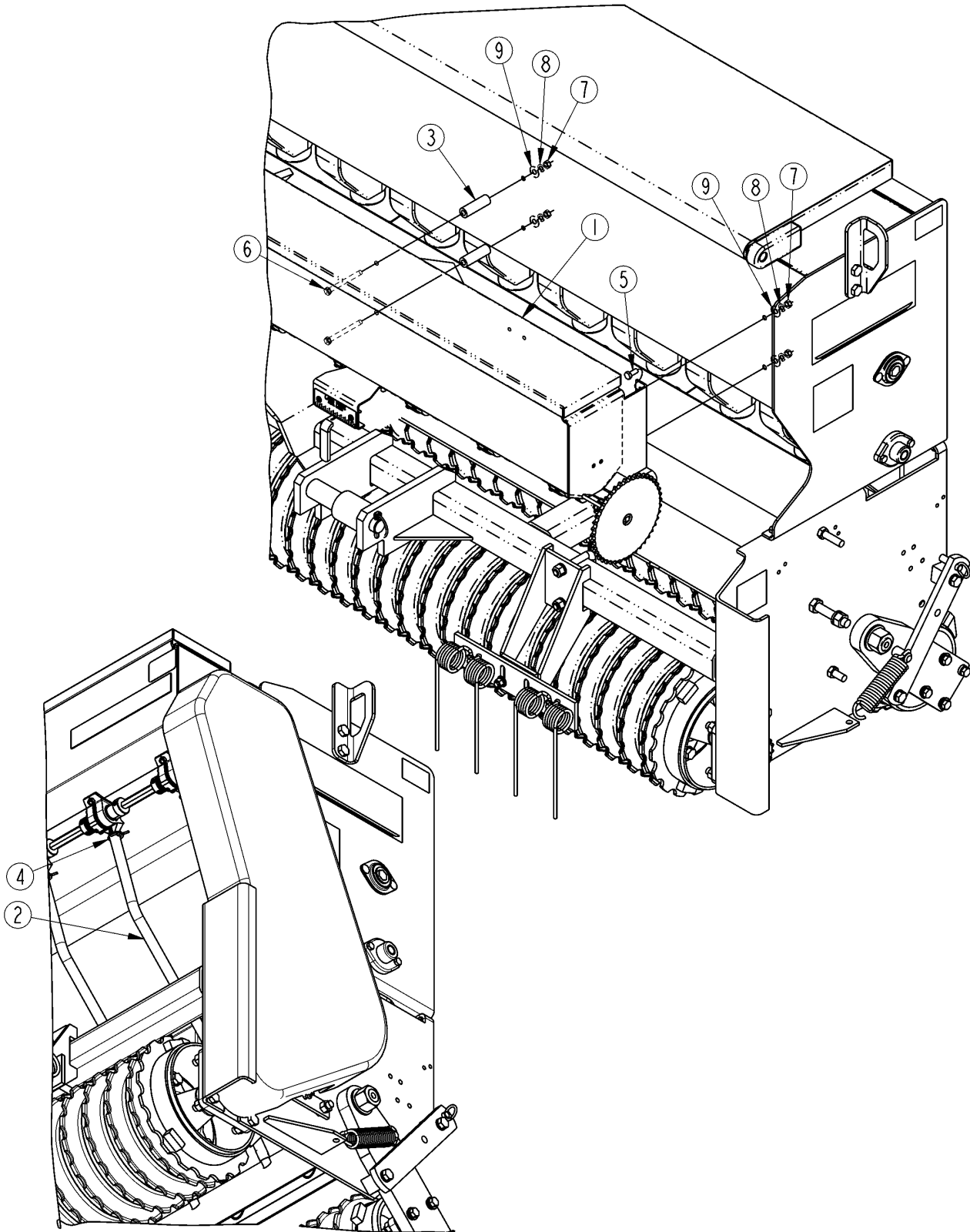
20626

Small Grass Seed Box Assembly**Applies to PSN2096**

Ref	Part No.	Part Description	Comments	Revision
	dwg20626	Drawing Image Number		
1.	123-356D	10' EWNT SGS LID LATCH		
2.	313-284H	PS2096 SGS BOX WELD		
3.	313-285H	PS2096 SGS LID WELDMENT		
4.	313-506D	PS2096 SGS CUP SHAFT		
5.	313-631D	PS20 SEED DROP HOSE		
6.	800-029C	CLAMP HOSE GRASS SEED		
7.	800-101C	RIVET POP 1/8 .125 AD42BSLF		
8.	801-003C	SCREW RD HD SLT 10-24X1/2 PLT		
9.	801-035C	SCREW SET 5/16-18 SKT KP X 3/8		
10.	802-078C	HHCS 1/4-20X5/8 GR5		
11.	802-148C	HFSS 1/4-20X1/2 GR5		
12.	803-001C	NUT HEX 10-24 PLT		
13.	803-006C	NUT HEX 1/4-20 PLT		
14.	803-007C	NUT LOCK 1/4-20 PLT		
15.	804-004C	WASHER INTERNAL STAR #10 PLT		
16.	804-046C	WASHER FLAT #10 SAE PLT		
17.	816-112C	RUBBER LATCH 37-11-065-10		
18.	816-113C	LATCH KEEPER 37-15-061-17		
19.	817-009C	GRASS SEEDER SLEEVE		
20.	817-010C	GRASS SEEDER SPROCKET		
21.	890-349C	3/8 SHAFT LOCKING COLLAR		
22.	817-504C	SML SEED FEEDER CUP ASSY		

Small Grass Seed Box To Main Box Assembly

Applies to PSN2096



20632

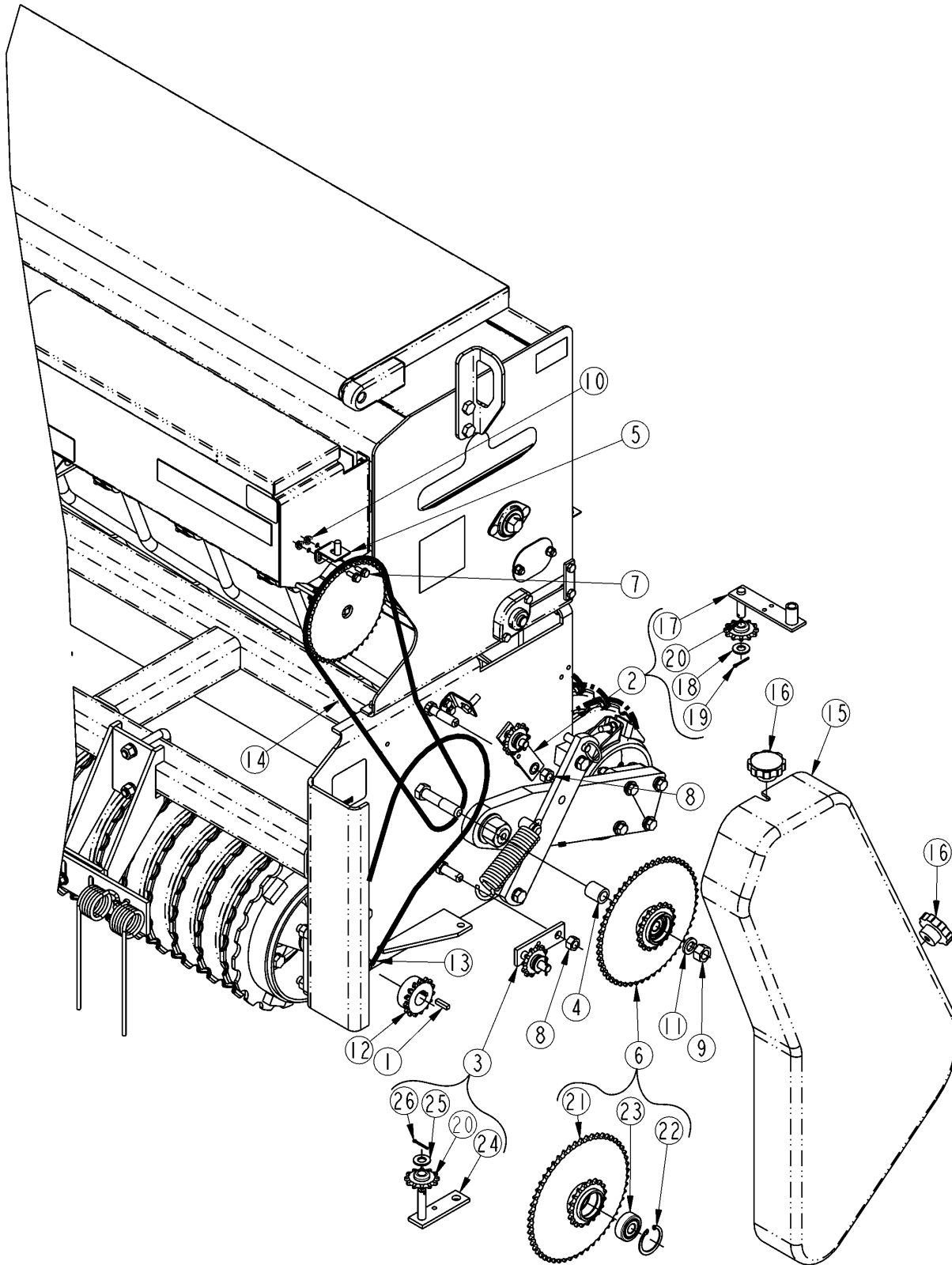
Small Grass Seed Box To Main Box Assembly

Applies to PSN2096

Ref	Part No.	Part Description	Comments	Revision
	dwg20632	Drawing Image Number		
1.	313-286L	PSN2096 SGS BOX SUB		
2.	313-525D	PS20 SMALL SEED DROP HOSE		
3.	313-536D	SMALL SEED BOX MTG SPACER		
4.	800-029C	CLAMP HOSE GRASS SEED		
5.	802-007C	HHCS 5/16-18X3/4 GR5		
6.	802-390C	HHCS 5/16-18X3 1/4 GR5		
7.	803-008C	NUT HEX 5/16-18 PLT		
8.	804-009C	WASHER LOCK SPRING 5/16 PLT		
9.	804-010C	WASHER FLAT 5/16 USS PLT		

Small Grass Seed Drive

Applies to PSN2096



20633

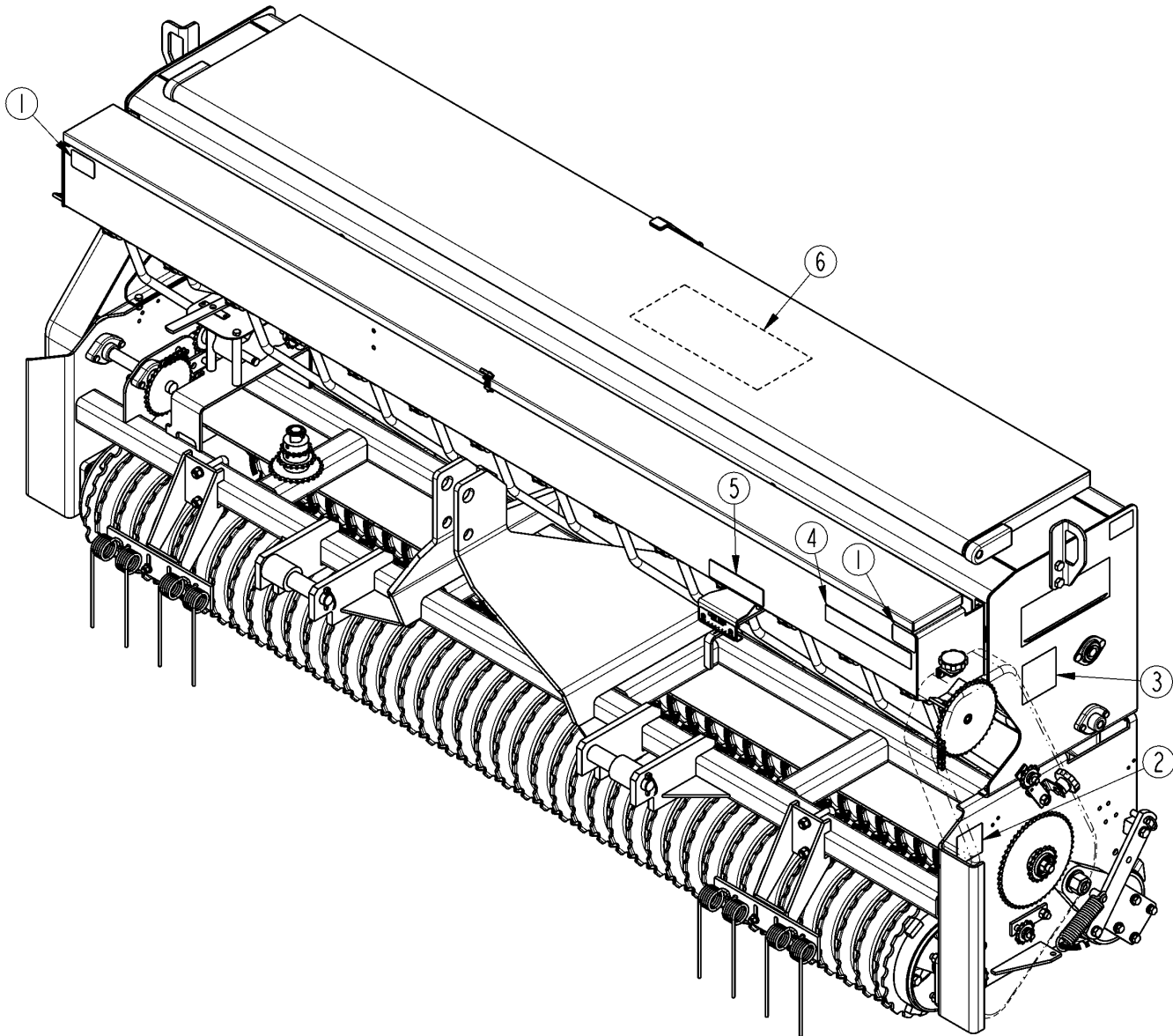
Small Grass Seed Drive

Applies to PSN2096

Ref	Part No.	Part Description	Comments	Revision
	dwg20633	Drawing Image Number		
1.	123-004D	KEY 1/4 X 1		
2.	308-128S	LOWER CHAIN TENSIONER ASSY		
3.	313-021S	LOWER IDLER ARM SUB		
4.	313-029D	SPEED CHANGE SPACER		
5.	313-182H	PS25120 CHAIN GUARD MTG.-LG.		
6.	313-317K	REDUCTION SPROCKET ASSY		
7.	802-196C	HFSS 1/4-20X5/8 GR5		
8.	803-020C	NUT HEX 1/2-13 PLT		
9.	803-021C	NUT HEX 5/8-11 PLT		
10.	803-194C	NUT HEX WHIZ 1/4-20 PLT		
11.	804-022C	WASHER LOCK SPRING 5/8 PLT		
12.	808-062C	SPKT 40B15 X 1 B W/KW & SS		
13.	809-223C	CHAIN #40 82 PITCH W/CON		
14.	809-224C	CHAIN #40 118 PITCH W/CON		
15.	816-374C	PSN SGS DRIVE COVER		
16.	817-259C	KNOB 3/8-16 FEMALE THD 2 3/8OD		
17.	308-107H	DRIVE IDLER ARM		
18.	804-016C	WASHER FLAT 1/2 SAE PLT		
19.	805-064C	PIN COTTER 7/64 X 1 LONG		
20.	817-025C	NO. 40 12T IDLER SPKT.		
21.	313-318H	REDUCTION SPROCKET WELD		
22.	800-070C	SNAP RING INT 1.812		
23.	822-067C	BEARING 204 DOUBLE SEAL DD		
24.	313-015H	LOWER IDLER ARM		
25.	804-016C	WASHER FLAT 1/2 SAE PLT		
26.	805-064C	PIN COTTER 7/64 X 1 LONG		

Small Grass Seed Label Placement

Applies to PSN2096



20630

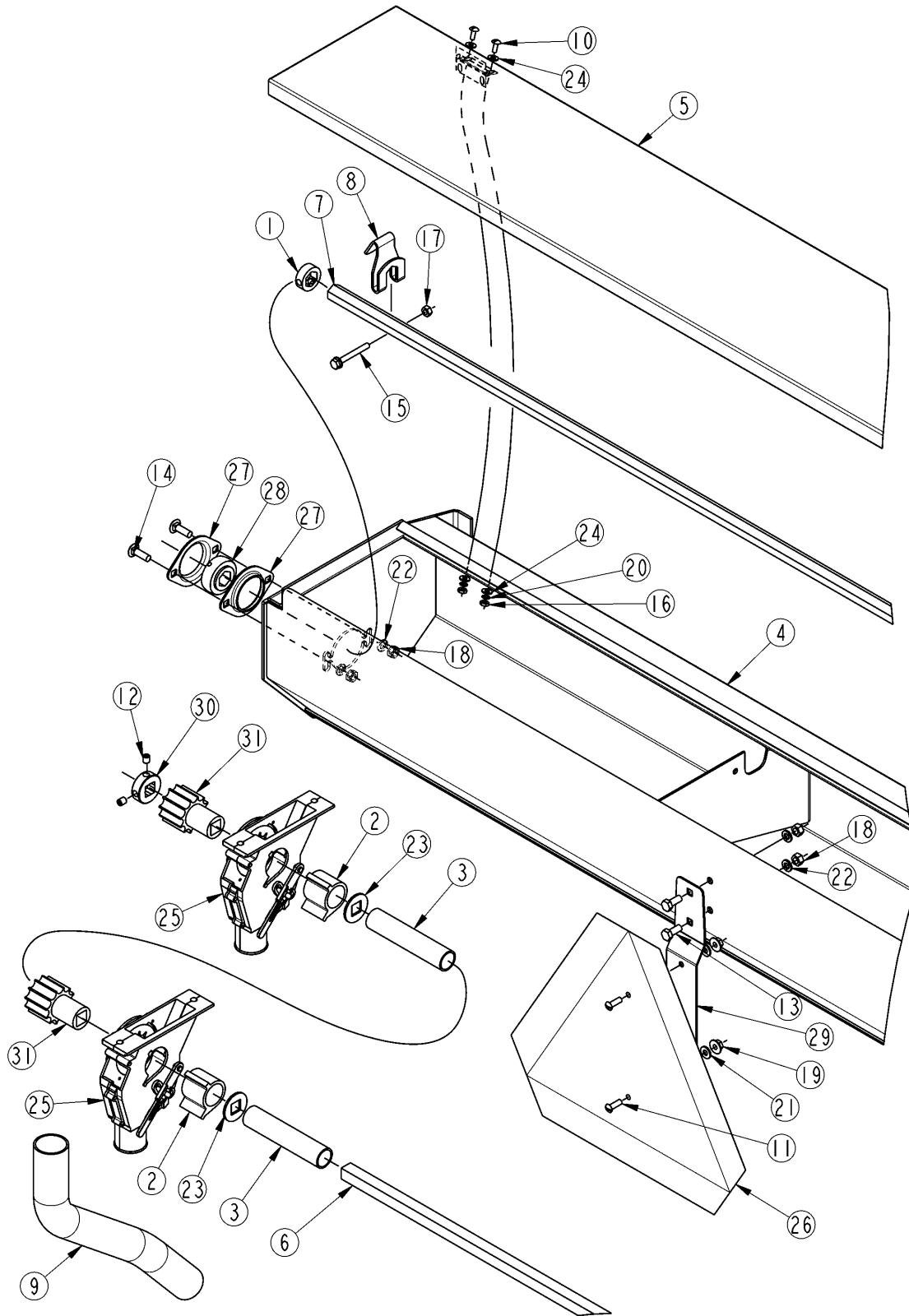
Small Grass Seed Label Placement

Applies to PSN2096

Ref	Part No.	Part Description	Comments	Revision
	dwg20630	Drawing Image Number		
	313-337A	PSN2096 SGS DECAL PACKAGE		
1.	818-229C	DECAL AMBER REFLECTOR		
2.	818-543C	DECAL DANGER PD GUARD MISS SML		
3.	838-111C	DECAL DANGER MOVING PARTS		
4.	838-301C	DECAL PSN2096-BROWN		
5.	838-340C	DECAL DISENGAGE DRIVE		
6.	838-372C	DECAL PS20 SMALL SEED CHART		

Standard Seed Box And Seed Cup Assembly

Applies to PSN2096



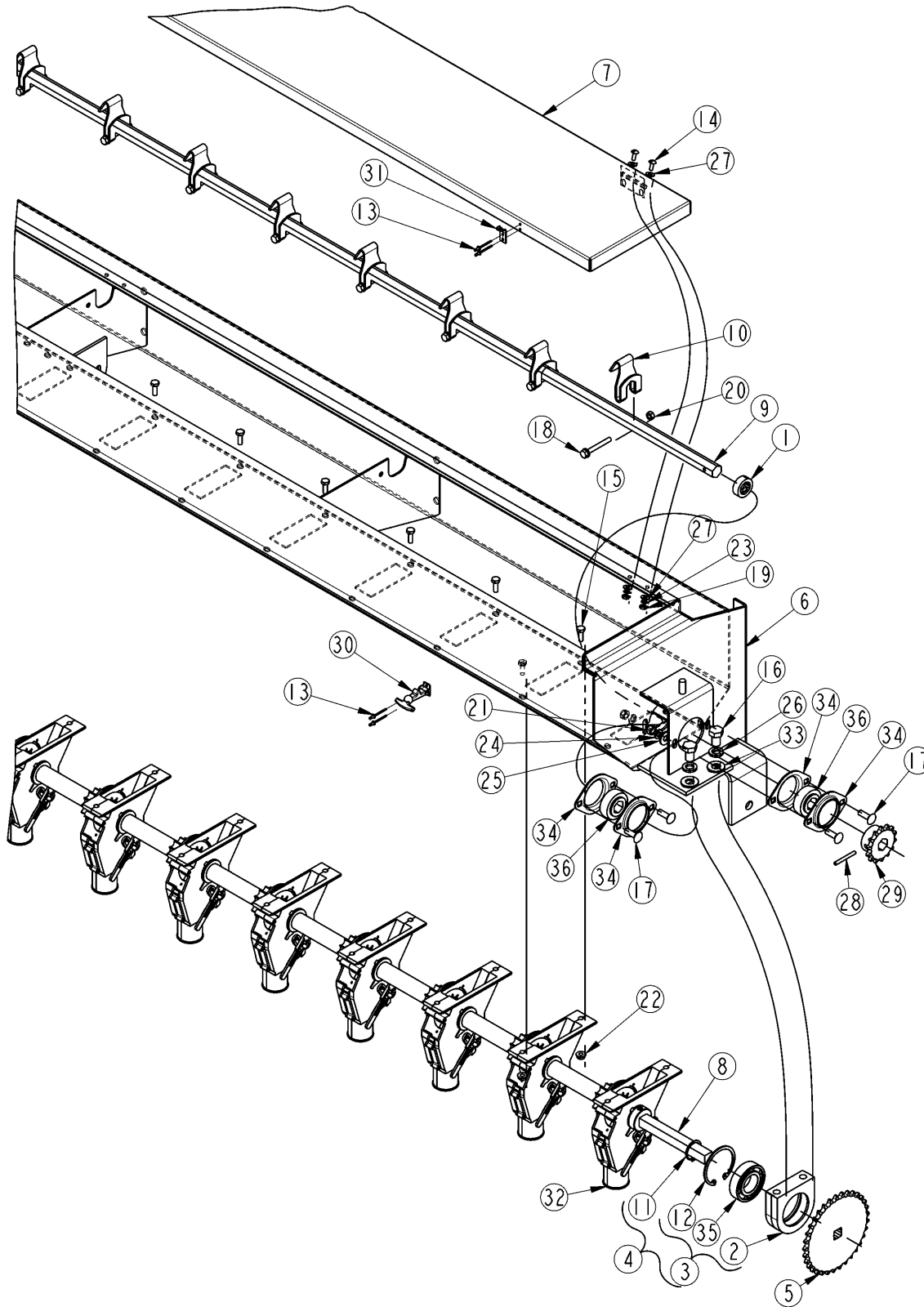
20629

Standard Seed Box And Seed Cup Assembly**Applies to PSN2096**

Ref	Part No.	Part Description	Comments	Revision
	dwg20629	Drawing Image Number		
1.	118-494D	LOCK COLLAR 3/4 HEX BORE		
2.	308-022D	CUP SLEEVE		
3.	308-253D	SPACER TUBE 4.991		
4.	313-287H	PS2096 STD SEED BOX WELD		
5.	313-289H	PS2096 STD SEED BOX LID WELD		
6.	313-498D	PS2096 STD SEED CUP SHAFT		
7.	313-521D	PS2096 HEX AGIATOR STD SEED		
8.	313-522D	PS20 STD SEED AGIATOR PADDLE		
9.	313-535D	PS20 STD SEED HOSE		
10.	801-003C	SCREW RD HD SLT 10-24X1/2 PLT		
11.	801-018C	SCREW RD HD 1/4-20 X 5/8		
12.	801-035C	SCREW SET 5/16-18 SKT KP X 3/8		
13.	802-007C	HHCS 5/16-18X3/4 GR5		
14.	802-282C	RHSNB 5/16-18X1 GR5		
15.	802-448C	HFSS 1/4-20X2 GR5		
16.	803-001C	NUT HEX 10-24 PLT		
17.	803-007C	NUT LOCK 1/4-20 PLT		
18.	803-008C	NUT HEX 5/16-18 PLT		
19.	803-088C	NUT HEX LOCK 1/4-20 FLG		
20.	804-004C	WASHER INTERNAL STAR #10 PLT		
21.	804-007C	WASHER FLAT 1/4 SAE PLT		
22.	804-009C	WASHER LOCK SPRING 5/16 PLT		
23.	804-031C	WASHER RETAINING		
24.	804-046C	WASHER FLAT #10 SAE PLT		
25.	817-094C	SEED CUP ASSEMBLY-1 1/4		
26.	818-055C	DECAL SLOW MOVING-GALV. BACKED		
27.	822-041C	FLANGETTE 47 MST		
28.	822-128C	BEARING 3/4HEX B 47MM SPHER OD		
29.	890-153C	SMV MOUNTING BLADE		
30.	890-350C	5/8 SHAFT LOCKING COLLAR		
31.	890-595C	SPROCKET SHORT POWDERED METAL		

Standard Seed Box Assembly

Applies to PSN2096



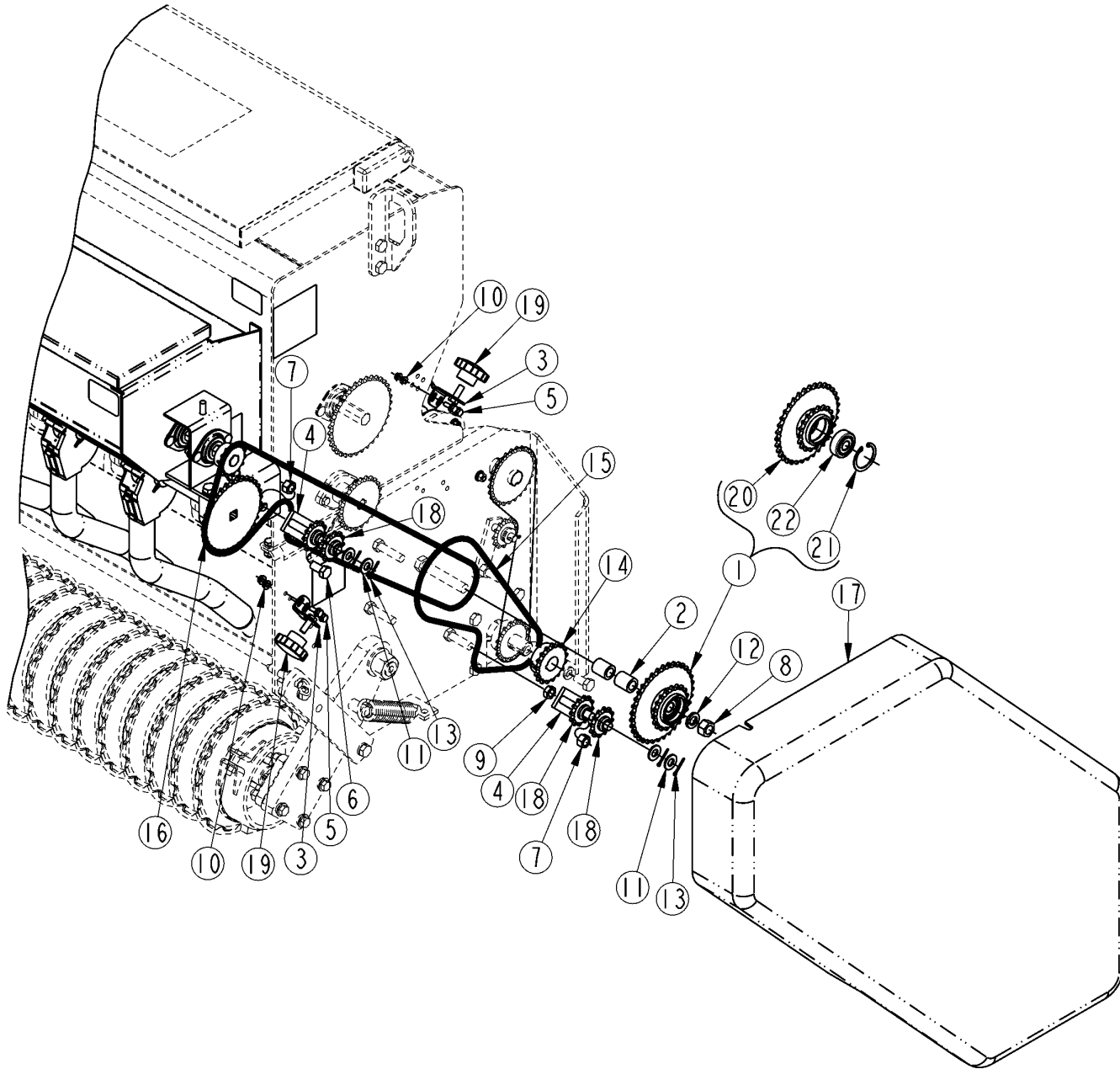
20627

Standard Seed Box Assembly**Applies to PSN2096**

Ref	Part No.	Part Description	Comments	Revision
	dwg20627	Drawing Image Number		
1.	118-494D	LOCK COLLAR 3/4 HEX BORE		
2.	176-006D	CUP DRIVE BRG. HOUSING		
3.	176-031V	CUP DRIVE BRG HOUSING ASSY		
4.	308-036S	33 T DRIVE SPROCKET ASSEMBLY		
5.	808-247C	SPKT 40A33 X .630 SQ BORE		
6.	313-287H	PS2096 STD SEED BOX WMT		
7.	313-289H	STD SEED BOX LID WMT		
8.	313-498D	PS2096 STD SEED CUP SHAFT		
9.	313-521D	PS2096 HEX AGIATOR STD SEED		
10.	313-522D	PS20 STD SEED AGIATOR PADDLE		
11.	800-004C	SNAP RING EXT BASIC 1.880		
12.	800-005C	RING FC HOUSING		
13.	800-101C	RIVET POP 1/8 .125 AD42BSLF		
14.	801-003C	SCREW RD HD SLT 10-24X1/2 PLT		
15.	802-004C	HHCS 1/4-20X3/4 GR5		
16.	802-032C	HHCS 1/2-13X3/4 GR5		
17.	802-282C	RHSNB 5/16-18X1 GR5		
18.	802-448C	HFSS 1/4-20X2 GR5		
19.	803-001C	NUT HEX 10-24 PLT		
20.	803-007C	NUT LOCK 1/4-20 PLT		
21.	803-008C	NUT HEX 5/16-18 PLT		
22.	803-194C	NUT HEX WHIZ 1/4-20 PLT		
23.	804-004C	WASHER INTERNAL STAR #10 PLT		
24.	804-009C	WASHER LOCK SPRING 5/16 PLT		
25.	804-010C	WASHER FLAT 5/16 USS PLT		
26.	804-015C	WASHER LOCK SPRING 1/2 PLT		
27.	804-046C	WASHER FLAT #10 SAE PLT		
28.	805-076C	PIN ROLL 3/16 X 1 3/4 PLT.		
29.	808-167C	SPKT 40B14 X 3/4 HEX BORE		
30.	816-112C	RUBBER LATCH 37-11-065-10		
31.	816-113C	LATCH KEEPER 37-15-061-17		
32.	817-094C	SEED CUP ASSEMBLY-1 1/4		
33.	804-016C	WASHER FLAT 1/2 SAE PLT		
34.	822-041C	FLANGETTE 47 MST		
35.	822-059C	BRG BALL 1.18IDX2.44OD 206PP		
36.	822-128C	BRG INS 3/4HEXX1.85OD SPH		

Standard Seed Box Drive

Applies to PSN2096



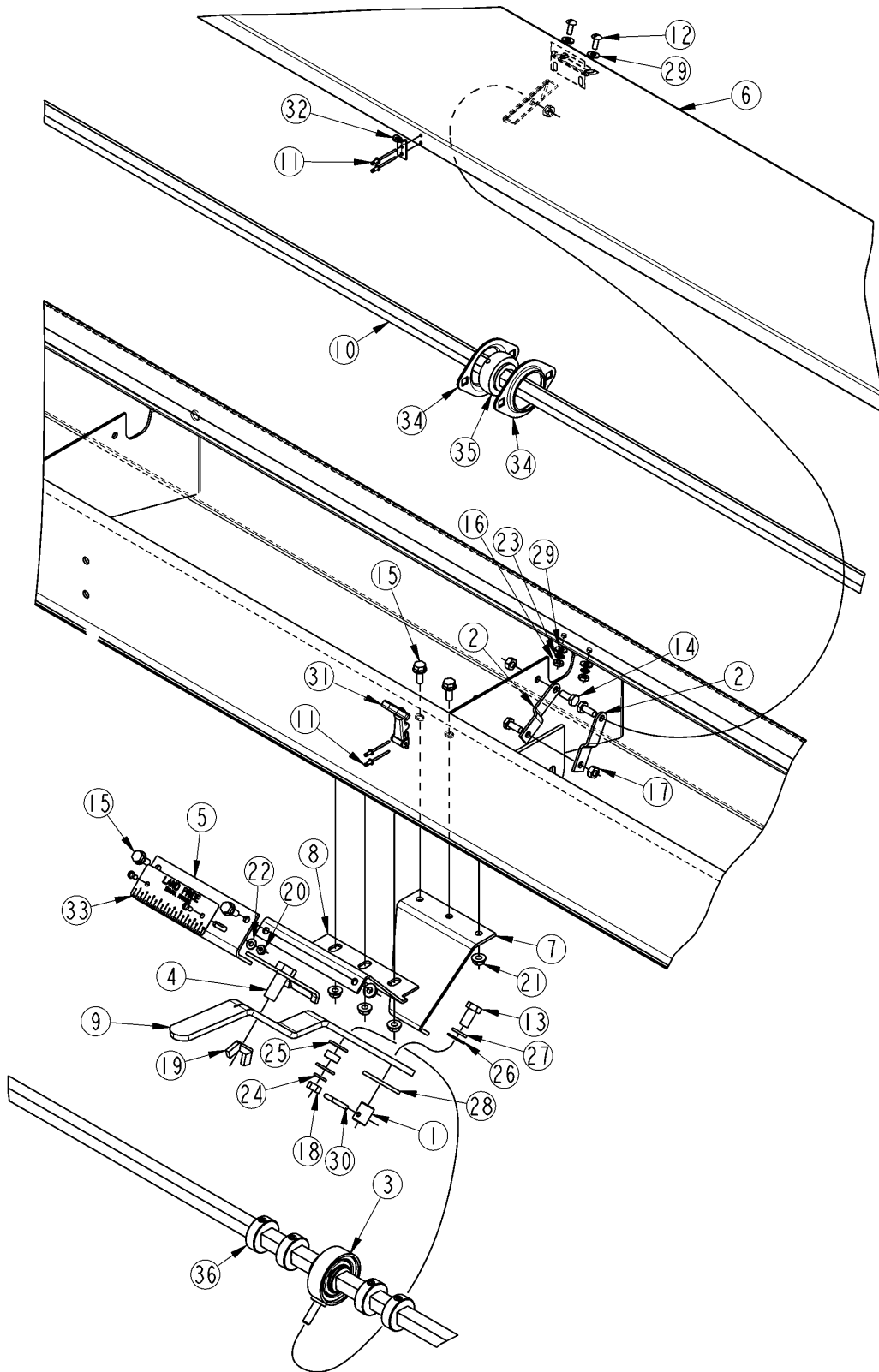
20635

Standard Seed Box Drive**Applies to PSN2096**

Ref	Part No.	Part Description	Comments	Revision
	dwg20635	Drawing Image Number		
1.	308-041K	SPEED CHG SPROCKET ASSEMBLY		
2.	313-029D	SPEED CHANGE SPACER		
3.	313-182H	PS25120 CHAIN GUARD MTG.-LG.		
4.	313-313H	STDSEED IDLER PIVOT		
5.	802-196C	HFSS 1/4-20X5/8 GR5		
6.	802-258C	HHCS 1/2-13X1 GR5		
7.	803-019C	NUT LOCK 1/2-13 PLT		
8.	803-021C	NUT HEX 5/8-11 PLT		
9.	803-036C	NUT HEX JAM 1/2-13 PLT		
10.	803-194C	NUT HEX WHIZ 1/4-20 PLT		
11.	804-016C	WASHER FLAT 1/2 SAE PLT		
12.	804-022C	WASHER LOCK SPRING 5/8 PLT		
13.	805-064C	PIN COTTER 7/64 X 1 LONG		
14.	808-159C	SPKT 40B17 X 1 BORE W/KW & SS		
15.	809-094C	RL. CHAIN #40 X 72 PITCHES		
16.	809-222C	CHAIN #40 150 PITCH W/CON		
17.	816-373C	PSN20 STDSEED GUARD		
18.	817-025C	NO. 40 12T IDLER SPKT.		
19.	817-259C	KNOB 3/8-16 FEMALE THD 2 3/8OD		
20.	308-024H	OVERSEEDER SPEED CHANGE SPRKT		
21.	800-070C	SNAP RING INT 1.812		
22.	822-067C	BEARING 204 DOUBLE SEAL DD		

Standard Seed Box Seed Rate Adjustment Handle

Applies to PSN2096



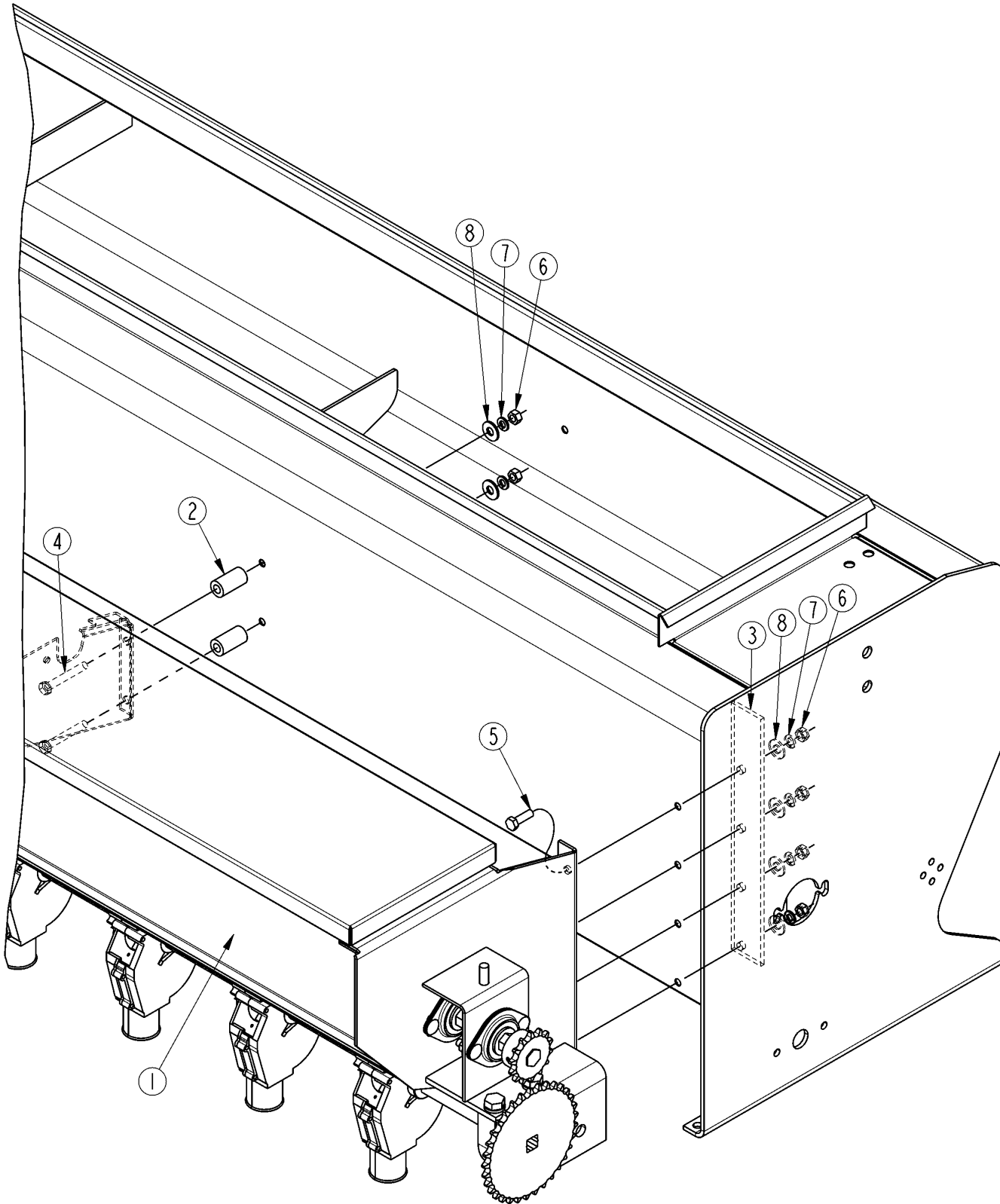
20628

Standard Seed Box Seed Rate Adjustment Handle**Applies to PSN2096**

Ref	Part No.	Part Description	Comments	Revision
	dwg20628	Drawing Image Number		
1.	109-069D	ADJUSTMENT HANDLE PIVOT		
2.	123-356D	10' EWNT SGS LID LATCH		
3.	308-004S	COLAR ADJUSTMENT ASY		
4.	308-334H	OS ADJ LOCK PLATE ASSY 1 1/2 W		
5.	313-056D	SEED GAUGE PLT. MTG		
6.	313-289H	PS2096 STD SEED BOX LID WELD		
7.	313-499D	PS20 NG PIVOT MTG-ADJ HANDLE		
8.	313-500D	PS20 NG GAUGE MTG PLATE		
9.	313-501D	PS20 STD SEED ADJ HANDLE		
10.	313-521D	PS2096 HEX AGIATOR STD SEED		
11.	800-101C	RIVET POP 1/8 .125 AD42BSLF		
12.	801-003C	SCREW RD HD SLT 10-24X1/2 PLT		
13.	802-014C	HHCS 3/8-16X3/4 GR5		
14.	802-078C	HHCS 1/4-20X5/8 GR5		
15.	802-196C	HFSS 1/4-20X5/8 GR5		
16.	803-001C	NUT HEX 10-24 PLT		
17.	803-007C	NUT LOCK 1/4-20 PLT		
18.	803-008C	NUT HEX 5/16-18 PLT		
19.	803-016C	NUT WING 1/2-13 PLT		
20.	803-035C	NUT HEX 8-32 BRASS		
21.	803-194C	NUT HEX WHIZ 1/4-20 PLT		
22.	804-003C	WASHER FLAT #8 BRASS		
23.	804-004C	WASHER INTERNAL STAR #10 PLT		
24.	804-009C	WASHER LOCK SPRING 5/16 PLT		
25.	804-010C	WASHER FLAT 5/16 USS PLT		
26.	804-012C	WASHER FLAT 3/8 SAE PLT		
27.	804-013C	WASHER LOCK SPRING 3/8 PLT		
28.	804-019C	WASHER FLAT 5/8 USS PLT		
29.	804-046C	WASHER FLAT #10 SAE PLT		
30.	805-016C	PIN COTTER 3/16 X 1 1/4 PLT		
31.	816-112C	RUBBER LATCH 37-11-065-10		
32.	816-113C	LATCH KEEPER 37-15-061-17		
33.	819-086C	NAME PLATE ADJ. GUIDE SHORT		
34.	822-041C	FLANGETTE 47 MST		
35.	822-128C	BEARING 3/4 HEX B 47MM SPHER OD		
36.	890-350C	5/8 SHAFT LOCKING COLLAR		

Standard Seed Box To Main Box Assembly

Applies to PSN2096



20634

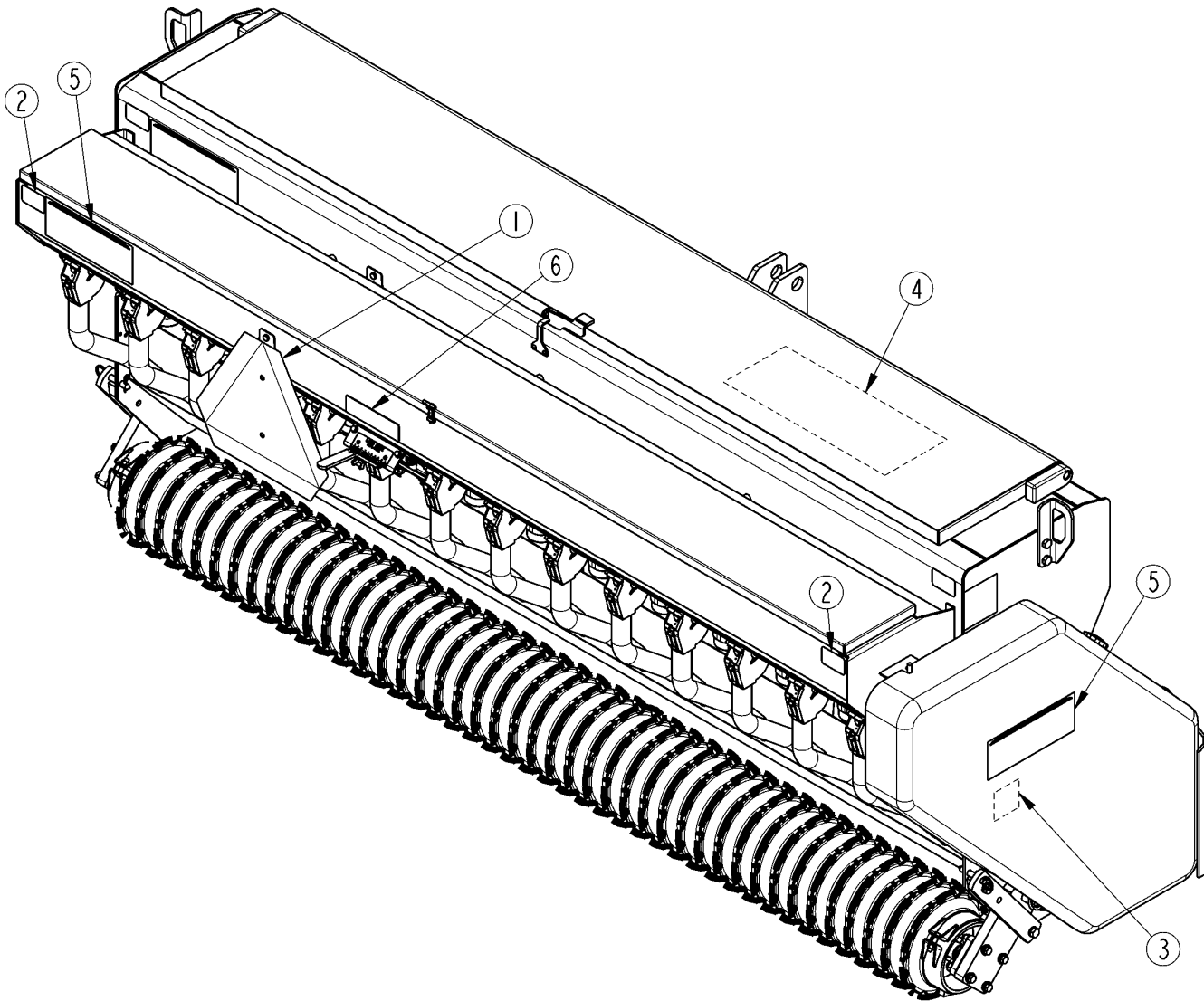
Standard Seed Box To Main Box Assembly

Applies to PSN2096

Ref	Part No.	Part Description	Comments	Revision
	dwg20634	Drawing Image Number		
1.	313-288L	PS2096 STD SEED BOX SUB		
2.	313-537D	STD SEED BOX MTG SPACER		
3.	313-566D	STDSEED MOUNT BAR		
4.	802-138C	HHCS 5/16-18X2 1/4 GR5		
5.	802-159C	HHCS 5/16-18X1 GR5		
6.	803-008C	NUT HEX 5/16-18 PLT		
7.	804-009C	WASHER LOCK SPRING 5/16 PLT		
8.	804-010C	WASHER FLAT 5/16 USS PLT		

Standard Seed Label Placement

Applies to PSN2096



20631

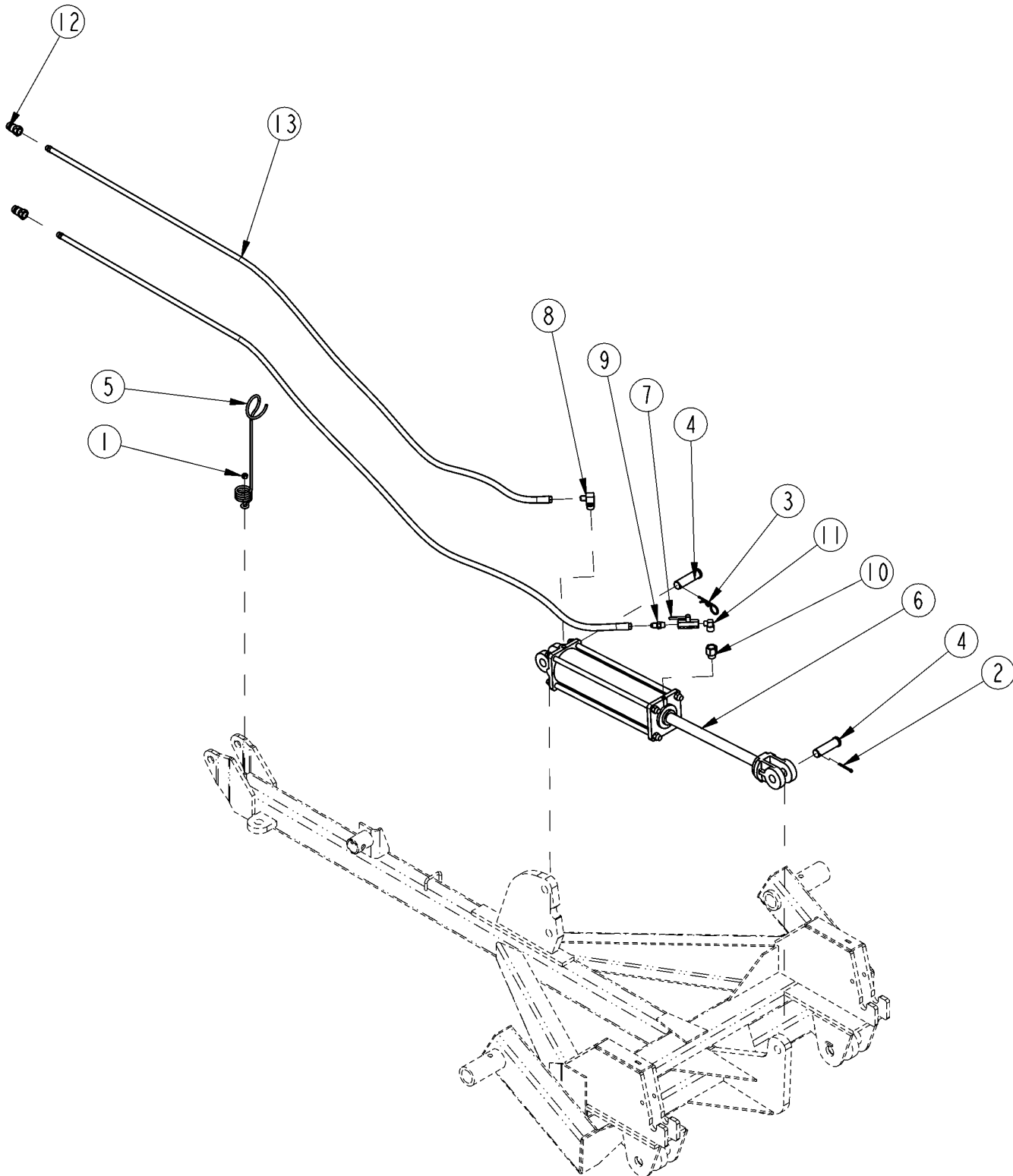
Standard Seed Label Placement

Applies to PSN2096

Ref	Part No.	Part Description	Comments	Revision
	dwg20631	Drawing Image Number		
	313-338A	PSN2096 STDSEED DECAL PACKAGE		
1.	818-055C	DECAL SLOW MOVING-GALV. BACKED		
2.	818-230C	DECAL RED REFLECTOR		
3.	818-543C	DECAL DANGER PD GUARD MISS SML		
4.	818-869C	DECAL OS/PS1572 SEED RATE		
5.	818-890C	DECAL LP W/TREE 10" - 2 COLOR		
6.	838-340C	DECAL DISENGAGE DRIVE		

Hydraulic Arrangement

Applies to PSN2096



21447

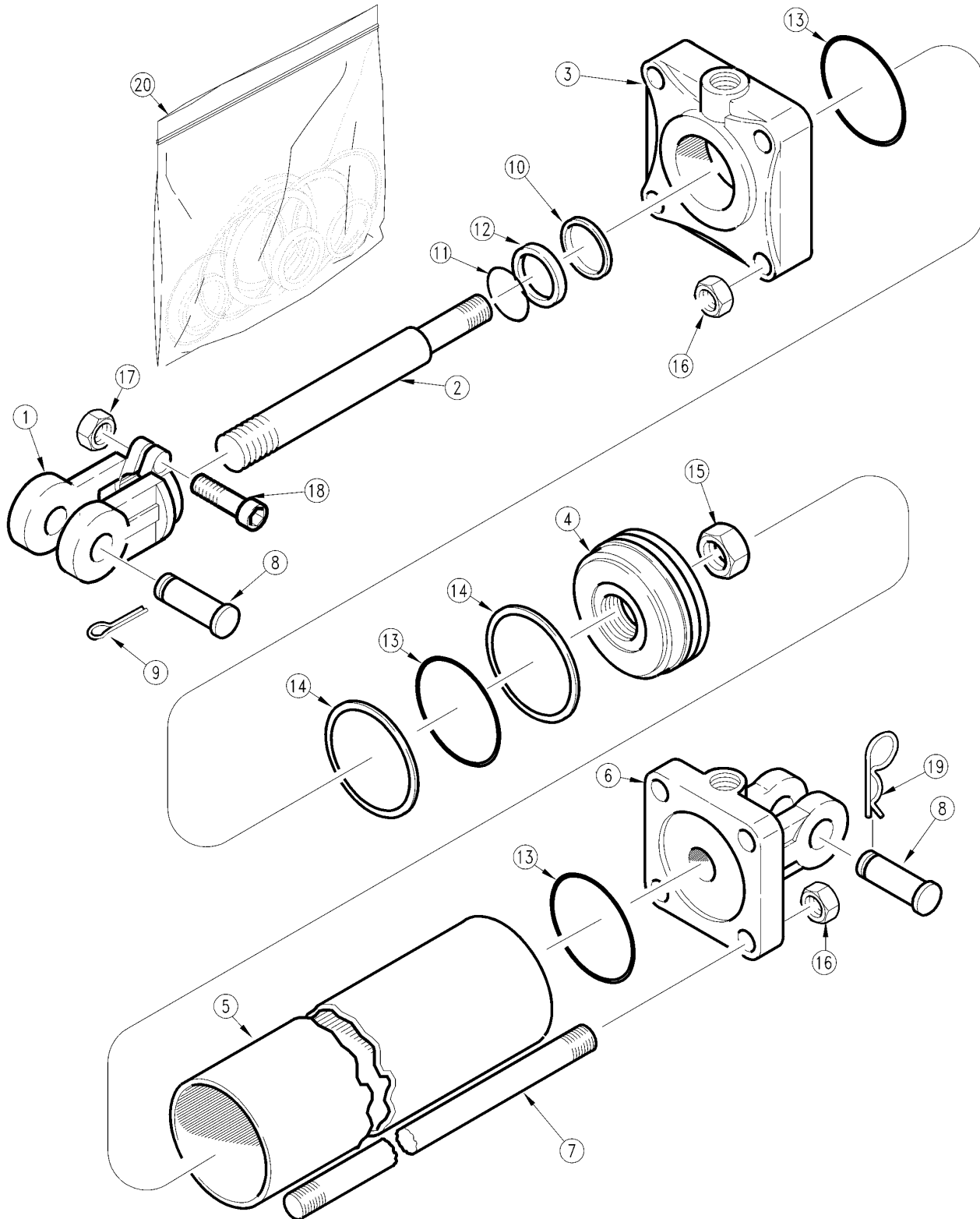
Hydraulic Arrangement

Applies to PSN2096

Ref	Part No.	Part Description	Comments	Revision
	dwg21447	Drawing Image Number		
1.	803-014C	NUT HEX 3/8-16 PLT		
2.	805-017C	PIN COTTER 3/16 X 1 3/4 PLT		
3.	805-088C	PIN, HAIR COTTER 3/16 WIRE DIA		
4.	805-159C	PIN CLEVIS 1 X 3 1/8 GR5 PLT		
5.	807-023C	SPRING HOSE LOOP		
6.	810-001C	CYL 4X14X1.25 ROD (TIE)NO PINS		
7.	810-076C	VALVE BALL 3/8 NPT 90 DEGREES		
8.	811-134C	EL 9/16 MJIC 1/2MNPT		
9.	811-151C	AD 9/16MJIC 3/8MNPT		
10.	811-161C	ORAD 3/32 1/2FNPT 1/2MNPT		
11.	811-213C	EL 3/8MNPT 1/2MNPT		
12.	811-394C	CP 3/4FORB MALE QD		
13.	811-789C	HH3/8R2 096 9/16FJIC 3/4MORB		

Hydraulic Cylinder 810-001C

Applies to PSN2096



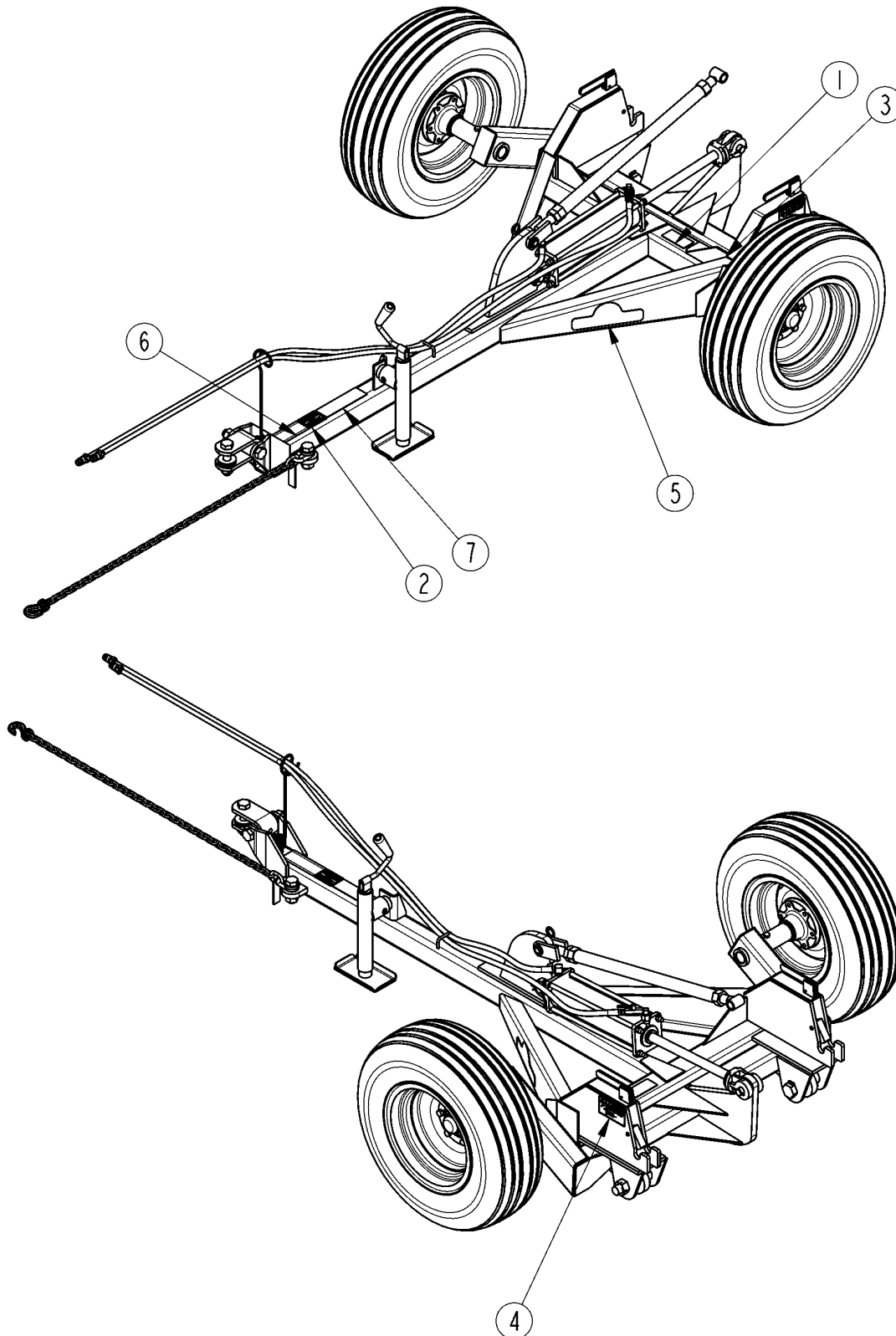
21451

Hydraulic Cylinder 810-001C**Applies to PSN2096**

Ref	Part No.	Part Description	Comments	Revision
	dwg21451	Drawing Image Number		
	810-001C	CYL 4X14X1.25 ROD (TIE)NO PINS *		
1.	1M6016	MW CLEVIS, STD DUTY W/BUSHINGS		
2.	2M6474	MW ROD 1-1/4 DIA X 14 STROKE		
3.	3R5708	MW HEAD		
4.	4M6108	MW PISTON		
5.	5M6122	MW TUBE 4 X 14 CYLINDER		
6.	6R5140	BASE MIDWAY		
7.	7M6322	MW TIE ROD 4 X 14 CYLINDER		
8.	805-159C	PIN CLEVIS 1 X 3 1/8 GR5 PLT	Not Included W/ Cylinder	
9.	805-017C	PIN COTTER 3/16 X 1 3/4 PLT	Not Included W/ Cylinder	
10.	N/A	MW WIPER	Included with Cylinder	
11.	N/A	MIDWAY O-RING	Included with Cylinder	
12.	N/A	MIDWAY BACKUP RING	Included with Cylinder	
13.	N/A	MW O-RING TUBE	Included with Cylinder	
14.	N/A	MW BACK UP TUBE	Included with Cylinder	
15.	2A0024	MW PISTON NUT 1-14		
16.	2A0018	MW TIE ROD NUT		
17.	2A0012	MW NUT CLEVIS & TIE ROD		
18.	802-023C	HHCS 3/8-16X1 3/4 GR5		
19.	805-088C	PIN, HAIR COTTER 3/16 WIRE DIA	Not Included W/ Cylinder	
20.	810-013C	CYL SEAL KIT 4 X 14 MW 5A6102		

Label Placement (Part 2)

Applies to PSN2096



21450

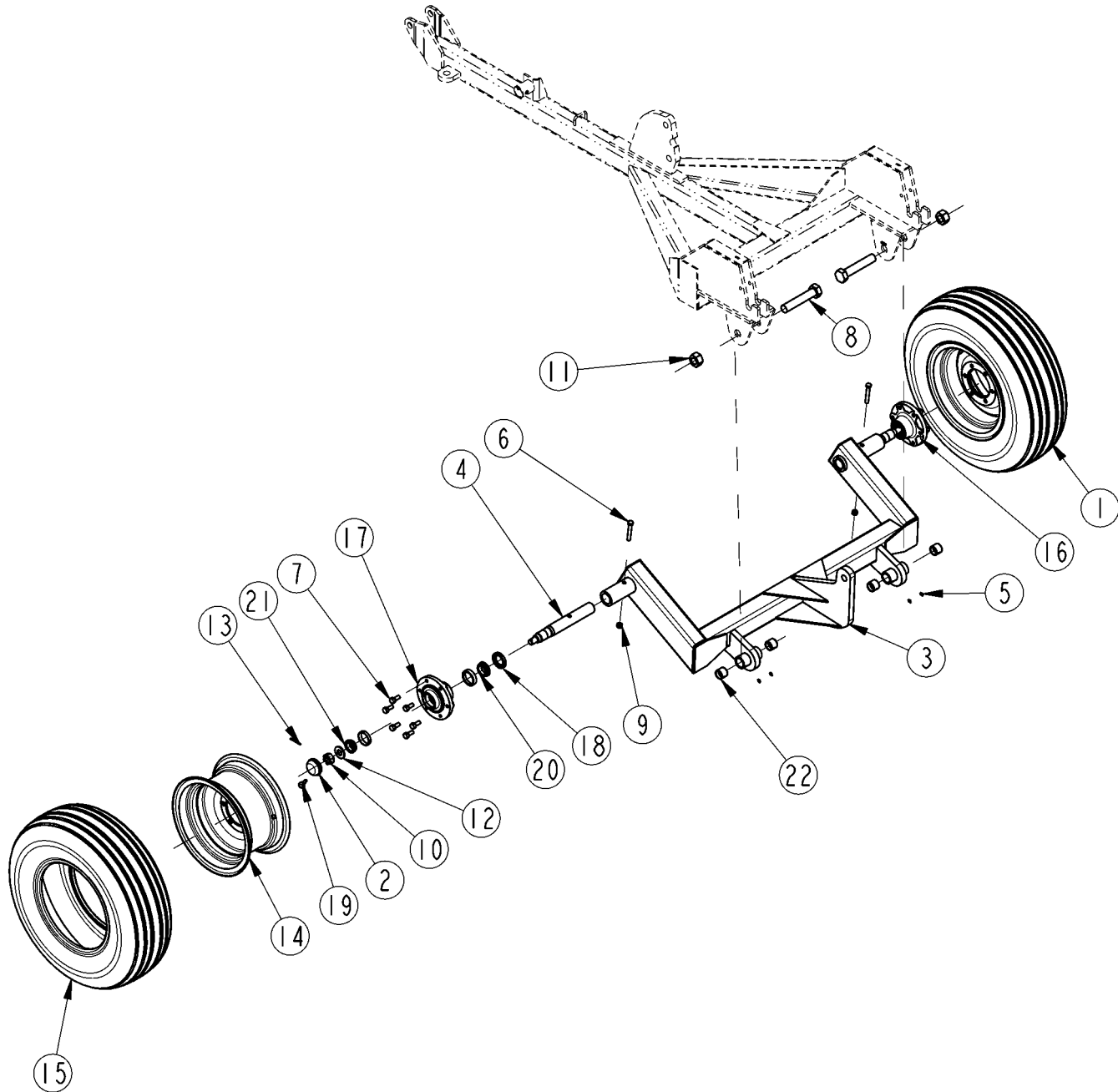
Label Placement (Part 2)

Applies to PSN2096

Ref	Part No.	Part Description	Comments	Revision
	dwg21450	Drawing Image Number		
1.	818-336C	DECAL CAUTION CYLINDER LOCK PS		
2.	818-337C	DECAL WARNING 20 MPH TRANS SML		
3.	818-714C	DECAL DANGER CRUSHING TWO IMP		
4.	818-866C	DECAL CAUTION PINCH POINT HAZ.		
5.	818-892C	DECAL LP W/TREE 10" - 3 COLOR		
6.	838-094C	DECAL WARNING HYD PRESS LONG		
7.	838-386C	DECAL NEGATIVE TONGUE WEIGHT		

Transport Axle

Applies to PSN2096



21444

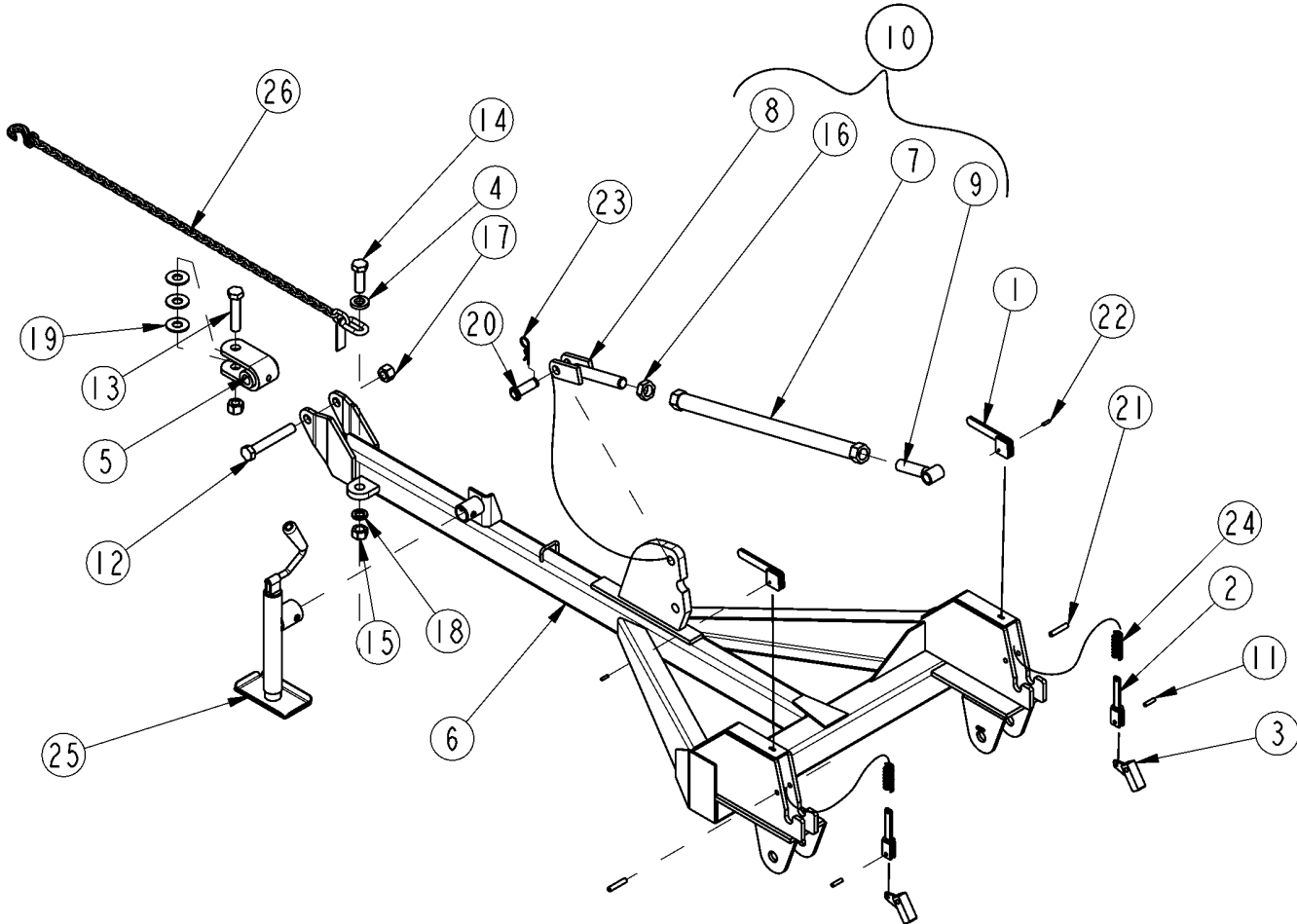
Transport Axle

Applies to PSN2096

Ref	Part No.	Part Description	Comments	Revision
	dwg21444	Drawing Image Number		
1.	102-006K	TIRE/WHEEL ASSY 9.5LX15 12 PLY		
2.	200-001D	HUB GREASE CAP		
3.	313-335H	PULL HITCH AXLE WELDMENT		
4.	313-610D	AXLE SPINDLE SHAFT		
5.	800-080C	GREASE ZERK 1/4-28 THD FORMING		
6.	802-099C	HHCS 1/2-13X3 1/4 GR5		
7.	802-104C	BOLT WHEEL 1/2-20X1 90-DEG		
8.	802-717C	HHCS 1 1/4-7X 6 1/2 GR5 PLT		
9.	803-019C	NUT LOCK 1/2-13 PLT		
10.	803-029C	NUT HEX SLOTTED 7/8-14 PLT		
11.	803-081C	NUT HEX 1 1/4-7 NYLON INSERT		
12.	804-055C	WASHER SPINDLE - 7/8		
13.	805-246C	PIN COTTER 5/32 X 1 3/4 LG		
14.	814-008C	WHEEL 8 X 15 X 6 BOLT		
15.	814-009C	TIRE 9.5L X 15-12 PLY-TUBELESS		
16.	815-077C	HUB 6 BOLT 4 5/8 PILOT 3600 LB		
17.	815-082C	HUB 6 BOLT 4 5/8 PILOT W/ CUPS		
18.	816-011C	SEAL 2.56X1.625X.438 CR16289		
19.	816-035C	VALVE STEM TR415X.625X1 1/4 LG		
20.	822-018C	BEARING CONE LM-29749		
21.	822-021C	BEARING CONE LM-67048		
22.	890-340C	BUSH1 1/2ODX1 1/4IDX1 1/4LG GG		

Transport Frame

Applies to PSN2096



21433

Transport Frame

Applies to PSN2096

Ref	Part No.	Part Description	Comments	Revision
	dwg21433	Drawing Image Number		
1.	124-016H	LOCK HANDLE WELDMENT		
2.	124-017H	SPRING LEVER WELDMENT		
3.	124-018H	PIN LOCK WELDMENT		
4.	124-116D	PULL HITCH SAFETY CHAIN WASHER		
5.	312-421H	CLEVIS WELDMENT		
6.	313-320H	PULL HITCH FRAME WELD		
7.	313-325H	CONNECTING TUBE ASSY		
8.	313-326H	ADJUST CLEVIS WELD		
9.	313-327H	UPPER CONNECT TUBE WELD		
10.	313-328K	UPPER ADJUSTABLE LINK		
11.	313-629D	PIN LOCK PIVOT		
12.	802-074C	HHCS 1-8X6 1/2 GR5		
13.	802-098C	HHCS 1-8X4 1/2 GR5		
14.	802-181C	HHCS 1-8X4 GR5 FTHD		
15.	803-031C	NUT HEX 1-8 PLT		
16.	803-032C	NUT HEX JAM 1 1/4-7 PLT		
17.	803-038C	NUT HEX 1-8 NYLON INSERT PLT		
18.	804-027C	WASHER LOCK SPRING 1 PLT		
19.	804-028C	WASHER FLAT 1 USS PLT		
20.	805-004C	PIN CLEVIS 1 X 2 3/4 USABLE LG		
21.	805-037C	PIN SPIROL 1/2X2 1/2 PLAIN		
22.	805-044C	PIN ROLL 1/4 X 1 PLATED		
23.	805-088C	PIN, HAIR COTTER 3/16 WIRE DIA		
24.	807-007C	SPRING LEVER		
25.	890-118C	SCREW JACK 2000# 14-24 TOP-WND		
26.	890-182C	SAFETY CHAIN 10000 LB		



Part Number Index

The Part Number Index is a numeric index of all part numbers included in this manual. The index shows what page(s) the part is used on.

Part Number	Page	Part Number	Page	Part Number	Page	Part Number	Page
102-006K	61	313-182H	25, 39, 47	778127A	27	802-143C	7, 9
109-069D	49	313-186D	17	778146A	27	802-148C	23, 33, 35
118-494D	13, 15, 17, 43, 45	313-243H	7, 9	778163	27	802-155C	11
120-237D	29	313-253H	7	778211	27	802-159C	21, 51
123-004D	7, 25, 29, 39	313-254S	7	778273	27	802-181C	63
123-050H	33	313-255S	9	778319	27	802-196C	25, 39, 47, 49
123-113D	33	313-256H	9	780072	27	802-240C	7, 25
123-116D	33	313-269D	19	780090	27	802-257C	23, 33
123-356D	35, 49	313-279H	13	780095	27	802-258C	13, 15, 17, 47
123-410D	33	313-280H	13, 15	780105A	27	802-282C	13, 15, 17, 43, 45
123-476H	33	313-284H	33, 35	780108	27	802-300C	29
124-016H	63	313-285H	35	784312	27	802-315C	9
124-017H	63	313-286L	37	784371	27	802-390C	37
124-018H	63	313-287H	43, 45	786088	27	802-411C	17
124-116D	63	313-288L	51	788051A	27	802-448C	13, 15, 17, 43, 45
168-127D	21, 23	313-289H	43, 45, 49	788067B	27	802-630C	19
176-006D	45	313-310H	29	788069	27	802-705C	23
176-031V	45	313-313H	47	788078A	27	802-717C	61
179-021D	13, 15	313-317K	39	792017	27	803-001C	13, 15, 17, 35, 43, 45, 49
179-022D	13, 15	313-318H	39	792073A	27	803-006C	19, 21, 33, 35
1M6016	57	313-320H	63	792139	27	803-007C	35, 43, 45, 49
200-001D	61	313-325H	63	792142	27	803-008C	13, 15, 17, 19, 21, 23, 29, 37, 43, 45, 49, 51
202-007D	21, 23	313-326H	63	792145	27	803-011C	13, 15
202-055D	13, 23	313-327H	63	792159	27	803-014C	7, 9, 11, 19, 55
202-185D	13, 15, 17	313-328K	63	7M6322	57	803-015C	9
202-192D	15, 17	313-335H	61	800-004C	45	803-016C	49
2A0012	57	313-336A	31	800-005C	45	803-019C	7, 9, 25, 47, 61
2A0018	57	313-337A	41	800-028C	33	803-020C	7, 11, 13, 15, 17, 39
2A0024	57	313-338A	53	800-029C	35, 37	803-021C	39, 47
2M6474	57	313-340H	23	800-070C	39, 47	803-029C	61
300-202S	7	313-341H	15, 17	800-080C	61	803-031C	63
300-429D	7	313-475D	13, 15, 17	800-101C	35, 45, 49	803-032C	63
300-431D	7	313-479D	21, 23	800-141C	29	803-035C	29, 33, 49
308-004S	49	313-487D	13, 15, 17	800-316C	9	803-036C	47
308-022D	43	313-498D	43, 45	801-001C	29, 33	803-037C	29
308-024H	47	313-499D	49	801-002C	23	803-038C	9, 63
308-036S	45	313-500D	49	801-003C	13, 35, 43, 45, 49	803-058C	33
308-041K	47	313-501D	49	801-018C	19, 43	803-081C	61
308-107H	39	313-506D	33, 35	801-021C	13, 15, 17	803-084C	13, 15, 17
308-128S	39	313-521D	43, 45, 49	801-022C	21, 23	803-088C	33, 43
308-180D	11	313-522D	43, 45	801-024C	13, 15, 17	803-177C	17
308-193D	13, 15, 17	313-525D	37	801-035C	13, 15, 17, 21, 23, 25, 29, 33, 35, 43	803-194C	21, 23, 25, 39, 45, 47, 49
308-230H	33	313-526D	21	801-076C	29	803-209C	17
308-253D	43	313-535D	43	802-004C	21, 45	803-255C	7, 13, 15, 17
308-334H	49	313-536D	37	802-005C	7	804-002C	29
308-360D	7	313-537D	51	802-007C	13, 15, 17, 19, 23, 37, 43	804-003C	33, 49
308-392D	17	313-554D	29	802-010C	15, 21, 23	804-004C	13, 15, 17, 35, 43, 45, 49
308-393D	17	313-556D	7	802-012C	29	804-006C	19, 21
308-394D	13, 15, 17	313-557D	29	802-013C	19	804-007C	33, 43
312-421H	63	313-566D	51	802-014C	49	804-009C	13, 15, 17, 19, 21, 23, 29, 37, 43, 45, 49, 51
313-006H	7	313-610D	61	802-017C	19	804-010C	13, 21, 23, 37, 45, 49, 51
313-009H	9	313-629D	63	802-022C	11	804-012C	11, 49
313-014H	9	313-631D	35	802-023C	57	804-013C	7, 9, 11, 19, 49
313-015D	9	313-643D	15, 17	802-032C	45	804-014C	9
313-015H	25, 39	313-646D	23	802-034C	9	804-015C	7, 9, 11, 13, 15, 17, 25, 45
313-018D	7	313-672D	17	802-038C	9	804-016C	25, 29, 39, 45, 47
313-019H	17	313-673D	17	802-039C	7	804-019C	49
313-021S	25, 39	3R5708	57	802-041C	29	804-022C	39, 47
313-024S	17	4M6108	57	802-074C	63	804-027C	63
313-027H	11	510334	27	802-078C	35, 49	804-028C	63
313-028A	11	5M6122	57	802-082C	7		
313-029D	39, 47	6R5140	57	802-091C	7		
313-035D	9	770119	27	802-092C	15, 17, 33		
313-039H	9	772131	27	802-098C	63		
313-050D	9	776368	27	802-099C	61		
313-056D	49	776370	27	802-104C	61		
313-060D	11	776397	27	802-138C	51		
313-063S	9	778123A	27				
313-104S	17	778124A	27				
313-168D	7	778126A	27				



Part Number Index (continued)

Part Number	Page	Part Number	Page	Part Number	Page
804-029C	9	816-370C	25	dwg20629	43
804-031C	43	816-373C	47	dwg20630	41
804-036C	13, 15, 17, 29	816-374C	39	dwg20631	53
804-041C	9	816-504C	7	dwg20632	37
804-044C	33	817-009C	35	dwg20633	39
804-046C	35, 43, 45, 49	817-010C	35	dwg20634	51
804-055C	61	817-025C	25, 29, 39, 47	dwg20635	47
804-056C	13, 15, 17	817-026C	33	dwg20637	11
804-075C	7	817-033C	13, 15, 17	dwg20638	33
805-004C	63	817-094C	43, 45	dwg21293	15
805-010C	9	817-259C	25, 39, 47	dwg21294	23
805-015C	7	817-443C	13, 15	dwg21433	63
805-016C	49	817-457C	19	dwg21444	61
805-017C	55, 57	817-504C	35	dwg21447	55
805-019C	33	817-505C	19	dwg21450	59
805-037C	63	817-506C	19	dwg21451	57
805-044C	63	818-055C	19, 31, 43, 53	dwg25986	17
805-064C	25, 39, 47	818-190C	31	N/A	57
805-076C	45	818-229C	31, 41		
805-088C	55, 57, 63	818-230C	31, 53		
805-109C	29	818-336C	59		
805-159C	55, 57	818-337C	59		
805-240C	29	818-543C	31, 41, 53		
805-246C	61	818-714C	59		
806-010C	11	818-866C	59		
807-007C	63	818-869C	53		
807-023C	55	818-890C	31, 53		
807-044C	11	818-892C	59		
807-050C	9	819-059C	29		
808-038C	25	819-086C	33, 49		
808-054C	29	822-004C	7		
808-055C	29	822-018C	61		
808-062C	29, 39	822-021C	61		
808-063C	29	822-041C	13, 15, 17, 43, 45, 49		
808-069C	21, 23	822-057C	21, 23		
808-157C	29	822-059C	45		
808-159C	7, 25, 47	822-067C	39, 47		
808-160C	29	822-071C	21, 23		
808-167C	45	822-073C	29		
808-185C	13, 15, 17	822-085C	9		
808-247C	45	822-128C	13, 15, 17, 43, 45, 49		
808-281C	21, 23	838-094C	59		
809-094C	47	838-111C	31, 41		
809-148C	25	838-301C	31, 41		
809-215C	25	838-340C	41, 53		
809-218C	29	838-370C	31		
809-219C	29	838-372C	41		
809-222C	47	838-386C	59		
809-223C	39	890-118C	63		
809-224C	39	890-153C	19, 43		
810-001C	55, 57	890-182C	63		
810-013C	57	890-282C	29		
810-076C	55	890-340C	61		
811-134C	55	890-349C	33, 35		
811-151C	55	890-350C	43, 49		
811-161C	55	890-595C	43		
811-213C	55	890-789C	7		
811-394C	55	dwg12056	27		
811-789C	55	dwg20618	7		
812-054C	21, 23	dwg20619	9		
812-056C	7	dwg20620	13		
812-133C	9	dwg20621	21		
814-008C	61	dwg20622	29		
814-009C	61	dwg20623	25		
815-077C	61	dwg20624	19		
815-082C	61	dwg20625	31		
816-011C	61	dwg20626	35		
816-035C	61	dwg20627	45		
816-051C	13, 23	dwg20628	49		
816-112C	35, 45, 49				
816-113C	35, 45, 49				



Great Plains Manufacturing, Inc.

Corporate Office: P.O. Box 5060
Salina, Kansas 67402-5060 USA

www.landpride.com

Free Manuals Download Website

<http://myh66.com>

<http://usermanuals.us>

<http://www.somanuals.com>

<http://www.4manuals.cc>

<http://www.manual-lib.com>

<http://www.404manual.com>

<http://www.luxmanual.com>

<http://aubethermostatmanual.com>

Golf course search by state

<http://golfingnear.com>

Email search by domain

<http://emailbydomain.com>

Auto manuals search

<http://auto.somanuals.com>

TV manuals search

<http://tv.somanuals.com>