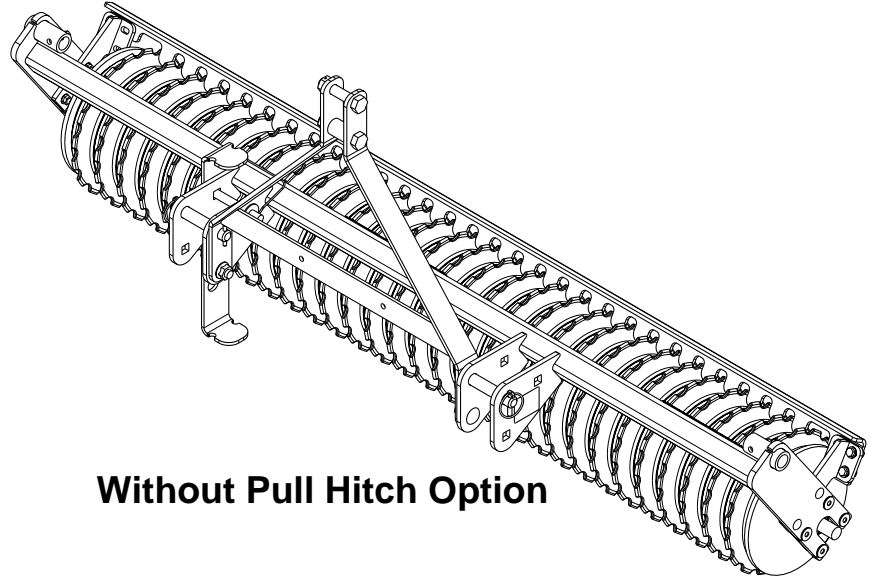


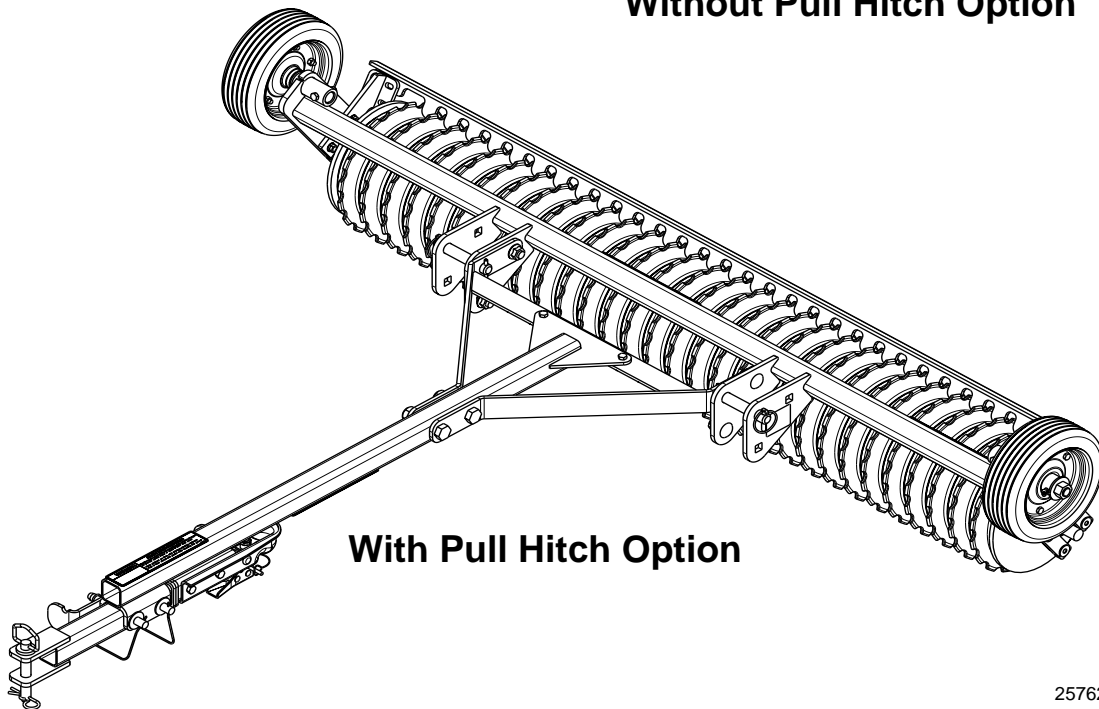
Seed Bed Roller

Model SBR48, SBR60 & SBR72



Without Pull Hitch Option

25763



With Pull Hitch Option

25762

322-215M Operator's Manual



Read the Operator's manual entirely. When you see this symbol, the subsequent instructions and warnings are serious - follow without exception. Your life and the lives of others depend on it!

© Copyright 2008 Printed 2/23/09

Cover photo may show optional equipment not supplied with standard unit.



Important Safety Information	1	Section 3: Operating Procedures	12
Safety at All Times	1	Operating Check List	12
Look For The Safety Alert Symbol	1	Transporting	12
Safety Labels	4	Operating Instructions	13
Introduction	5	Unhooking the Seed Bed Roller	14
Application	5	Storage Instructions	14
Using This Manual	5	General Operating Instructions	15
Terminology	5	Section 4: Maintenance & Lubrication . . .16	
Definitions	5	Maintenance	16
Owner Assistance	5	Lubrication	16
Serial Number Plate	5	Roller Flange Bearings	16
Further Assistance	6	Wheel Bearings	16
Section 1: Assembly & Set-up	7	Section 5: Additional Equipment	17
Tractor Requirements	7	Additional Seeding Equipment	17
Three-Point Hook-up	7	Disc Harrow	17
Pull Type Hook-Up	7	Electric Spin Spreader	17
Three Point Hitch Assembly	7	Drag Harrow	17
Pull Type Hitch Assembly (Optional)	8	Complete One Pass Seeding Application	18
Roller Scraper Assembly	8	Section 6: Specifications & Capacities .19	
3-Point Hook-Up	9	Section 7: Features and Benefits	20
Pull-type Hook-up	10	Section 8: Appendix	21
Clevis Hook-up	10	Torque Values Chart For Common Bolt Size	21
Ball Hook-up	10	Notes	22
Section 2: Adjustments	11	Warranty	23
Scraper Bar Adjustment	11		
Ball Hitch Swivel Adjustment	11		

© Copyright 2008 All rights Reserved

Land Pride provides this publication "as is" without warranty of any kind, either expressed or implied. While every precaution has been taken in the preparation of this manual, Land Pride assumes no responsibility for errors or omissions. Neither is any liability assumed for damages resulting from the use of the information contained herein. Land Pride reserves the right to revise and improve its products as it sees fit. This publication describes the state of this product at the time of its publication, and may not reflect the product in the future.

Land Pride is a registered trademark.

All other brands and product names are trademarks or registered trademarks of their respective holders.

Printed in the United States of America.

Important Safety Information

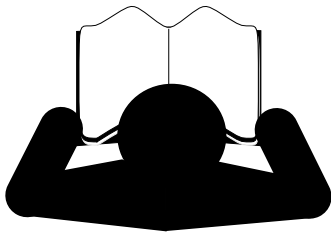
These are common practices that may or may not be applicable to the products described in this manual.

Safety at All Times

Thoroughly read and understand the instructions given in this manual before operation. Refer to the "Safety Label" section, read all instructions noted on them.

Do not allow anyone to operate this equipment who has not fully read and comprehended this manual and who has not been properly trained in the safe operation of the equipment.

- ▲ Operator should be familiar with all functions of the unit.
- ▲ Operate implement from the driver's seat only.
- ▲ Make sure all guards and shields are in place and secured before operating the implement.
- ▲ Do not leave tractor or implement unattended with engine running.
- ▲ Dismounting from a moving tractor could cause serious injury or death.
- ▲ Do not stand between the tractor and implement during hitching.
- ▲ Keep hands, feet, and clothing away from power-driven parts.
- ▲ Wear snug fitting clothing to avoid entanglement with moving parts.
- ▲ Watch out for wires, trees, etc., when raising implement. Make sure all persons are clear of working area.
- ▲ Turning tractor too tight may cause implement to ride up on wheels. This could result in injury or equipment damage.



Look For The Safety Alert Symbol

The SAFETY ALERT SYMBOL indicates there is a potential hazard to personal safety involved and extra safety precaution must be taken. When you see this symbol, be alert and carefully read the message that follows it. In addition to design and configuration of equipment, hazard control and accident prevention are dependent upon the awareness, concern, prudence and proper training of personnel involved in the operation, transport, maintenance and storage of equipment.

Be Aware of Signal Words

A Signal word designates a degree or level of hazard seriousness. The signal words are:

DANGER

Indicates an imminently hazardous situation which, if not avoided, will result in death or serious injury. This signal word is limited to the most extreme situations, typically for machine components that, for functional purposes, cannot be guarded.

WARNING

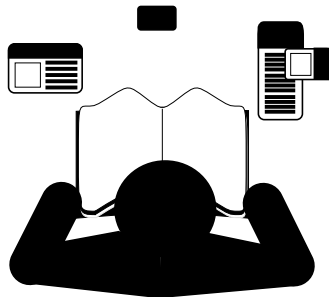
Indicates a potentially hazardous situation which, if not avoided, could result in death or serious injury, and includes hazards that are exposed when guards are removed. It may also be used to alert against unsafe practices.

CAUTION

Indicates a potentially hazardous situation which, if not avoided, may result in minor or moderate injury. It may also be used to alert against unsafe practices.

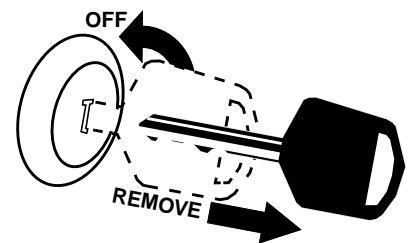
For Your Protection

- ▲ Thoroughly read and understand the "Safety Label" section, read all instructions noted on them.



Shutdown and Storage

- ▲ Lower machine to ground, put tractor in park, turn off engine, and remove the key.
- ▲ Detach and store implements in a area where children normally do not play. Secure implement by using blocks and supports.

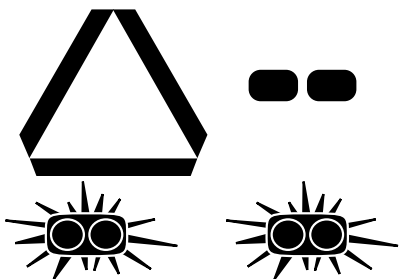


Important Safety Information

These are common practices that may or may not be applicable to the products described in this manual.

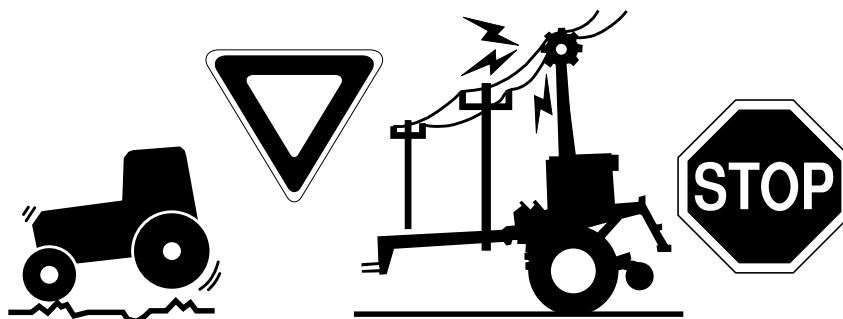
Use Safety Lights and Devices

- ▲ Slow moving tractors, self-propelled equipment, and towed implements can create a hazard when driven on public roads. They are difficult to see, especially at night.
- ▲ Flashing warning lights and turn signals are recommended whenever driving on public roads.



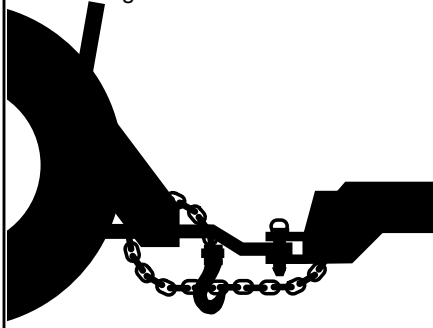
Transport Machinery Safely

- ▲ Comply with state and local laws.
- ▲ Maximum transport speed for implement is 20 mph. **DO NOT EXCEED.** Never travel at a speed which does not allow adequate control of steering and stopping. Some rough terrain require a slower speed.
- ▲ Sudden braking can cause a towed load to swerve and upset. Reduce speed if towed load is not equipped with brakes.
- ▲ Use the following maximum speed - tow load weight ratios as a guideline:
 - ▲ **20 mph** when weight is less than or equal to the weight of tractor.
 - ▲ **10 mph** when weight is double the weight of tractor.
 - ▲ **IMPORTANT:** Do not tow a load that is more than double the weight of tractor.



Use A Safety Chain

- ▲ A safety chain will help control drawn machinery should it separate from the tractor drawbar.
- ▲ Use a chain with the strength rating equal to or greater than the gross weight of the towed machinery.
- ▲ Attach the chain to the tractor drawbar support or other specified anchor location. Allow only enough slack in the chain to permit turning.
- ▲ Do not use safety chain for towing.



Practice Safe Maintenance

- ▲ Understand procedure before doing work. Use proper tools and equipment, refer to Operator's Manual for additional information.
- ▲ Work in a clean dry area.
- ▲ Lower the implement to the ground, put tractor in park, turn off engine, and remove key before performing maintenance.
- ▲ Allow implement to cool completely.
- ▲ Do not grease or oil implement while it is in operation.
- ▲ Inspect all parts. Make sure parts are in good condition & installed properly.
- ▲ Remove buildup of grease, oil or debris.
- ▲ Remove all tools and unused parts from implement before operation.

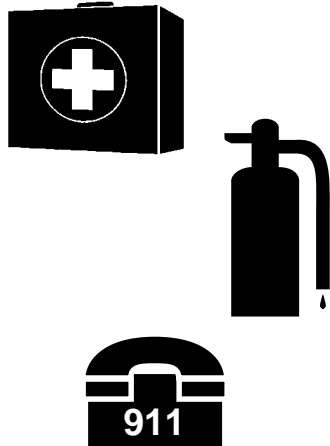


Important Safety Information

These are common practices that may or may not be applicable to the products described in this manual.

Prepare for Emergencies

- ▲ Be prepared if a fire starts.
- ▲ Keep a first aid kit and fire extinguisher handy.
- ▲ Keep emergency numbers for doctor, ambulance, hospital and fire department near phone.

**Wear Protective Equipment**

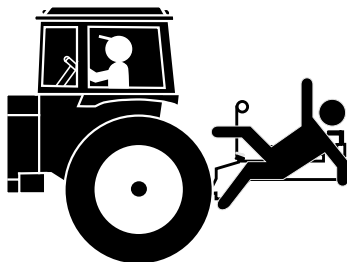
- ▲ Protective clothing and equipment should be worn.
- ▲ Wear clothing and equipment appropriate for the job. Avoid loose fitting clothing.
- ▲ Prolonged exposure to loud noise can cause hearing impairment or hearing loss. Wear suitable hearing protection such as earmuffs or earplugs.
- ▲ Operating equipment safely requires the full attention of the operator. Avoid wearing radio headphones while operating machinery.

**Avoid High Pressure Fluids Hazard**

- ▲ Escaping fluid under pressure can penetrate the skin causing serious injury.
- ▲ Avoid the hazard by relieving pressure before disconnecting hydraulic lines or performing work on the system.
- ▲ Make sure all hydraulic fluid connections are tight and all hydraulic hoses and lines are in good condition before applying pressure to the system.
- ▲ Use a piece of paper or cardboard, NOT BODY PARTS, to check for suspected leaks.
- ▲ Wear protective gloves and safety glasses or goggles when working with hydraulic systems.
- ▲ If an accident occurs, see a doctor immediately. Any fluid injected into the skin must be treated within a few hours or gangrene may result.

**Keep Riders Off Machinery**

- ▲ Riders obstruct the operator's view, they could be struck by foreign objects or thrown from the machine.
- ▲ Never allow children to operate equipment.

**Tire Safety**

- ▲ Tire changing can be dangerous and should be performed by trained personnel using the correct tools and equipment.
- ▲ When inflating tires, use a clip-on chuck and extension hose long enough to allow you to stand to one side and NOT in front of or over the tire assembly. Use a safety cage if available.
- ▲ When removing and installing wheels, use wheel handling equipment adequate for the weight involved.

**Handle Chemicals Properly**

- ▲ Protective clothing should be worn.
- ▲ Handle all chemicals with care.
- ▲ Follow instructions on container label.
- ▲ Agricultural chemicals can be dangerous. Improper use can seriously injure persons, animals, plants, soil, and property.
- ▲ Inhaling smoke from any type of chemical fire is a serious health hazard.
- ▲ Store or dispose of unused chemicals as specified by the chemical manufacturer.

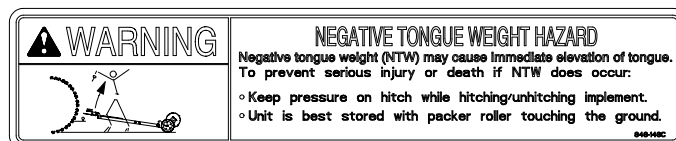
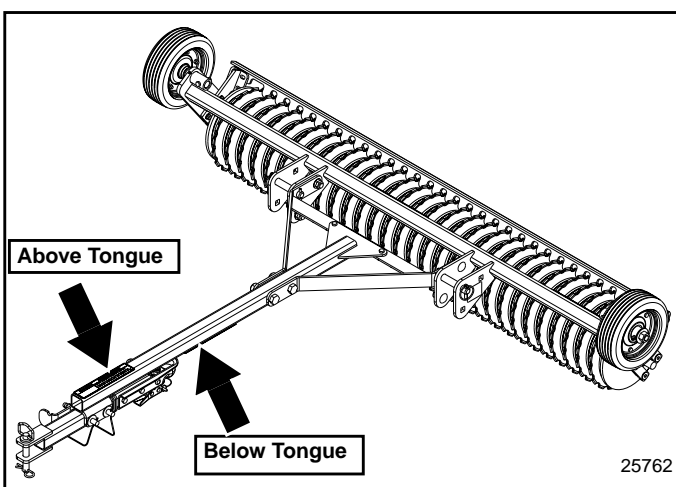


Important Safety Information

Safety Labels

Your Seed Bed Roller comes equipped with all safety labels in place. They were designed to help you safely operate your implement. Read and follow their directions.

1. *Keep all safety labels clean and legible.*
2. *Replace all damaged or missing labels. To order new labels go to your nearest Land Pride dealer or visit our dealer locator at landpride.com.*
3. *Some new equipment installed during repair requires safety labels to be affixed to the replaced component as specified by Land Pride. When ordering new components make sure the correct safety labels are included in the request.*
4. *Refer to this section for proper label placement. To install new labels:*
 - a. *Clean the area the label is to be placed.*
 - b. *Spray soapy water on the surface where the label is to be placed.*
 - c. *Peel backing from label. Press firmly onto the surface.*
 - d. *Squeeze out air bubbles with the edge of a credit card.*



848-148C

Negative Hitch Weight
Located below and above the tongue.

Introduction

Land Pride welcomes you to the growing family of new product owners. This Seed Bed Roller has been designed with care and built by skilled workers using quality materials. Proper assembly, maintenance and safe operating practices will help you get years of satisfactory use from the machine.

Application

The Land Pride SBR48, SBR60 and SBR72 Three-point hitch or Pull-Type Seed Bed Rollers have uses and applications in landscaping, sports field maintenance, pasture maintenance, professional turf care, general seeding and overseeding applications around home sites, construction sites, horse paddocks, nurseries, sod farms, and small farm or ranch operations. These Seed Bed Rollers will break up smaller clumps and dirt clods, while pressing applied seed into firm contact with the soil profile for greatly improved germination rates. The notched profile of the rollers also develops a pattern of uniformly spaced mini-furrows that tend to hold seed and fertilizer in place. These small furrows also retain essential moisture, and resist erosion from the wind and the runoff from applied irrigation or rain.

The Seed Bed Roller also can also serve as the roller packer attachment of Land Pride's complimented Seeder/Overseeder system. This system is comprised of a Land Pride Disc Harrow with a rear mounted Spin Spreader and special hitch kit, a trailing 6' x 4' DRG06 Drag Harrow, and trailing Pull-type SBR72 Seed Bed Roller. This componentized Seeder/Overseeder system provides for one-pass ground cultivation and seed to soil integration for applications on previously tilled soil, existing pasture ground, large grassy areas, reclamation sites, or wild game food plots.

See "**Section 6: Specifications & Capacities**" on page 19 and "**Section 7: Features and Benefits**" on page 20 for additional information and performance enhancing options.

Using This Manual

- This Operator's Manual is designed to help familiarize you with safety, assembly, operation, adjustments, troubleshooting, and maintenance. Read this manual and follow the recommendations to help ensure safe and efficient operation.
- The information contained within this manual was current at the time of printing. Some parts may change slightly to assure you of the best performance.
- To order a new Operator's or Parts Manual contact your authorized dealer. Manuals can also be downloaded, free-of-charge from our website at www.landpride.com.

Terminology

"Right" or "Left" as used in this manual is determined by facing the direction the machine will operate while in use unless otherwise stated.

Definitions

NOTE: A special point of information that the operator must be aware of before continuing.

IMPORTANT: A special point of information related to its preceding topic. Land Pride's intention is that this information should be read and noted before continuing.

Owner Assistance

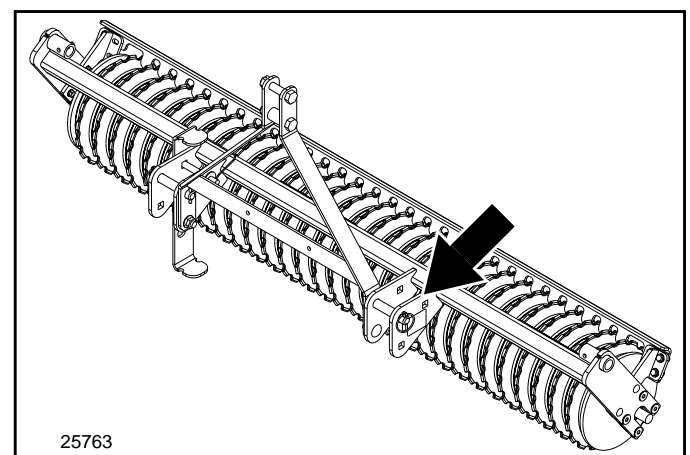
The Warranty Registration card should be filled out by the dealer at the time of purchase. This information is necessary to provide you with quality customer service.

If customer service or repair parts are required contact a Land Pride dealer. A dealer has trained personnel, repair parts and equipment needed to service the Seed Bed Roller.

The parts on your Seed Bed Roller have been specially designed and should only be replaced with genuine Land Pride parts. Therefore should your Seed Bed Roller require replacement parts go to your Land Pride Dealer.

Serial Number Plate

For prompt service always use the serial number and model number when ordering parts from your Land Pride dealer. Be sure to include your serial and model numbers in correspondence also. Refer to Figure 1 for the location of your serial number plate.



Serial Number Plate Location
Figure 1

Introduction

Further Assistance

Your dealer wants you to be satisfied with your new Seed Bed Roller. If for any reason you do not understand any part of this manual or are not satisfied with the service received, the following actions are suggested:

1. Discuss the matter with your dealership service manager making sure he is aware of any problems you may have and that he has had the opportunity to assist you.
2. If you are still not satisfied, seek out the owner or general manager of the dealership, explain the problem and request assistance.
3. For further assistance write to:

Land Pride Service Department**1525 East North Street**

P.O. Box 5060

Salina, Ks. 67402-5060

E-mail address

lp servicedept@landpride.com

Section 1: Assembly & Set-up

Tractor Requirements

The tractor horsepower and weight must be capable of controlling the Seed Bed Roller under all operating conditions. Smaller horsepower and lighter weight tractors must not be used.

Three-Point Hook-up

A Category I hitch with 7/8" dia. holes in the lower hitch links and 3/4" dia. hole in the top link is required. The lower 3-point arms must be stabilized to prevent side-to-side movement. Most tractors have sway blocks or adjustable chains for this purpose. A Category I Land Pride Quick Hitch can be used with the implement.

Horsepower requirements. 18 - 50 hp.
 Minimum tractor weight 700 lbs.

Pull Type Hook-Up

The Pull Type Model is set-up with a 2" ball hitch and a clevis type hitch.

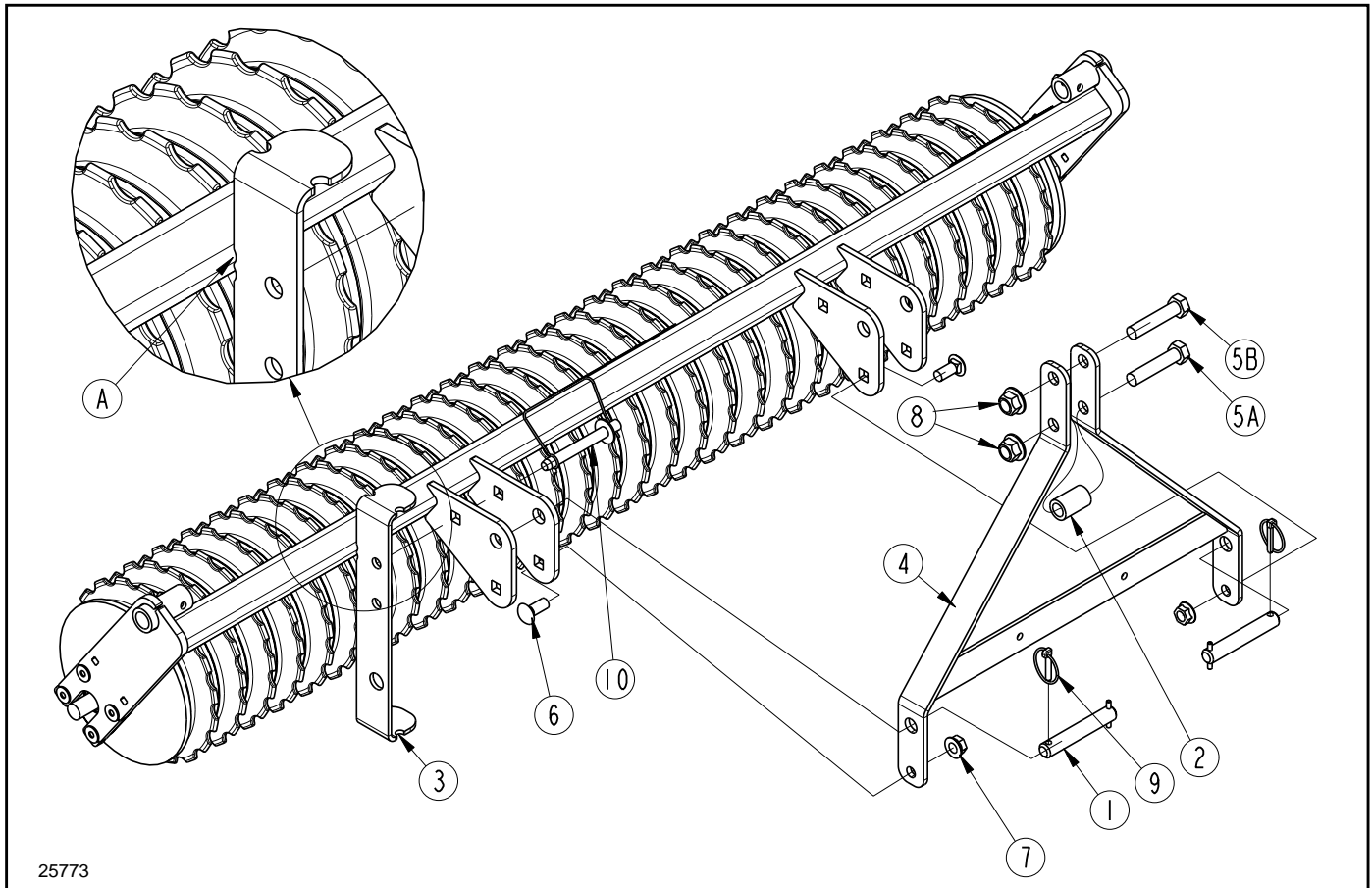
Pull-type HP. 18 - 50 hp.

Three Point Hitch Assembly

Refer to "Torque Values Chart For Common Bolt Size" on page 21 when tightening hardware.

Refer to Figure 1-1:

1. Chock front and back of rollers to prevent unit from shifting while assembling the hitch assembly.
2. Attach support stand (#3) to clevis plate with 5/8" wire snap lock pin (#10). Make certain notch "A" is located against the square tubing corner as shown.
3. Attach bottom of hitch frame (#4) to clevis plates with two 5/8"-11 x 1 1/2" GR5 round head square neck bolts (#6) and 5/8" hex flange lock nuts (#7). Draw nuts up snug, do not tighten.
4. Attach upper two holes in hitch frame to clevis plates with hitch pins (#1) and linch pins (#9)
5. Install 3/4"-10 x 3 1/2" GR5 hex head cap screw (#5A) with 1 1/4" x 2" spacer (#2) and 3/4" hex flange lock nut (#7). Tighten nut to the correct torque.
6. Install 3/4"-10 x 3 1/2" GR5 hex head cap screw (#5B) and 3/4" hex flange lock nut (#8).
7. Tighten 5/8" hex flange lock nuts (#7) to the correct torque.



25773

**Three point Hitch Assembly
 Figure 1-1**

Section 1: Assembly & Set-up

Pull Type Hitch Assembly (Optional)

Refer to "Torque Values Chart For Common Bolt Size" on page 21 when tightening hardware.

Refer to **Figure 1-2 & Figure 1-3:**

1. Chock front and back of rollers to prevent unit from shifting. Support 2" square tube frame up so that the top of the clevis plates are level.
2. Remove support stand (#3) and wire snap lock pin (#1A) from the clevis plates (shipping location).
3. The front two holes in hitch frame (#4) should be shipped from the factory attached to the front holes in the clevis plates with hitch pins (#17) and linch pins (#11). If not, make this pin connection now.
4. Rotate hitch frame (#4) down to align rear holes in hitch frame with holes at the back of the clevis plates. Insert 5/8"-11 x 1 1/2" GR5 carriage bolts (#10) and secure with 5/8" hex flange lock nuts (#16). Draw nuts up snug, do not tighten.
5. Remove 3/4" hex cap screws (#9), 2" spacer (#2) and 3/8" cap screws (#8) from hitch frame (#4).

IMPORTANT: The tongue (#5) should be as near level as possible when pulling the roller over soil. Before proceeding, determine which hitch assembly below to use that will mount the tongue near level.

- Use hitch assembly in Figure 1-2 to mount tongue (#5) if tractor drawbar is lower than 13"
- Use hitch assembly in Figure 1-3 to mount tongue (#5) if tractor drawbar is 13" or higher.

6. Attach tongue (#5) to 3-point hitch (#4) as follows:
 - a. Remove bolts (#8) from back of tongue (#5).
 - b. Attach middle of tongue to hitch (#2) with two 3/4"-10 x 3 1/2" GR5 cap screws (#9), one 2" lg. spacer (#2) and two 3/4" flange lock nuts (#14).

- c. Attach back of tongue with two 3/8"-16 x 1" GR5 cap screws (#8) and 3/8" flange lock nuts (#15).

7. Tighten flange lock nuts (#14, #15 & #16) to the correct torques.

NOTE: See Figure 1-3. Ball hitch (#6) and clevis hitch (#7) can be installed with either hitch facing forward. Determine which hitch you intend to use and face that hitch forward.

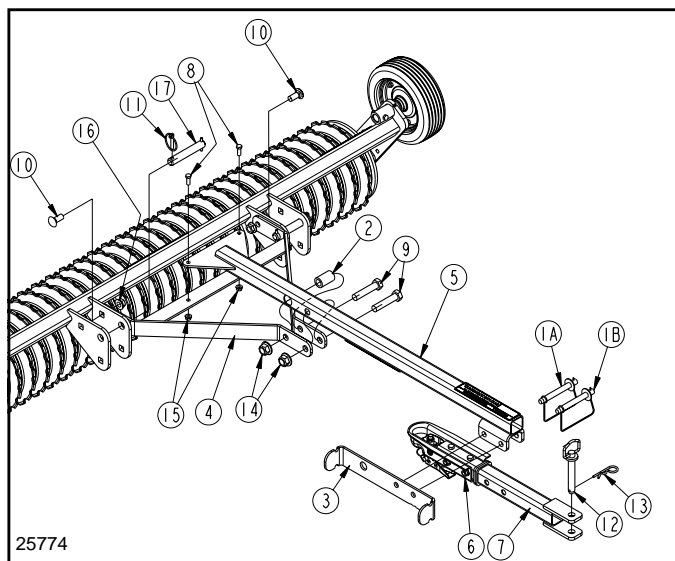
8. Remove wire snap lock pin (#1B). Reorient ball hitch (#6) and clevis hitch (#7) with preferred hitch facing forward and then reattach hitch to tongue (#5) with wire snap lock pins (#1A & 1B).
9. Attach support stand (#3) to wire snap lock pin (#1A). When not in use, rotate stand up and secure in place with second wire snap lock pin (#1B).
10. If clevis hitch (#7) is facing forward, insert 3/4" hitch pin (#12) and secure with hair pin cotter (#13). If ball hitch (#6) is facing forward, store hitch pin and hair pin cotter in a safe location of your choosing.

Roller Scraper Assembly

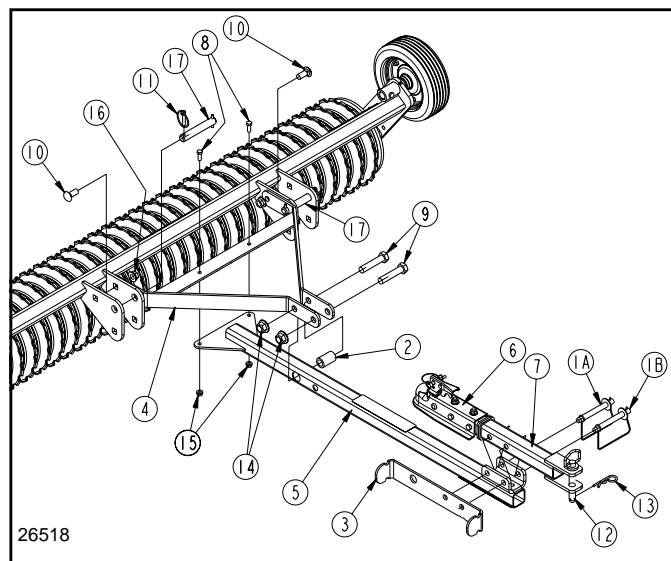
Refer to "Torque Values Chart For Common Bolt Size" on page 21 when tightening hardware.

Refer to **Figure 1-4 on page 9:**

1. Attach roller scraper assembly to the Seed Bed Roller frame with 3/8"-16 x 1" GR5 round head square neck bolts (#2) and hex flange lock nuts (#3).
2. Tighten nuts to the correct torque.
3. Some adjustment to the scraper teeth can be made by loosening the nuts on scraper (#1). Retighten nuts after adjustment has been made. See "Scraper Bar Adjustment" on page 11 for detailed instructions.

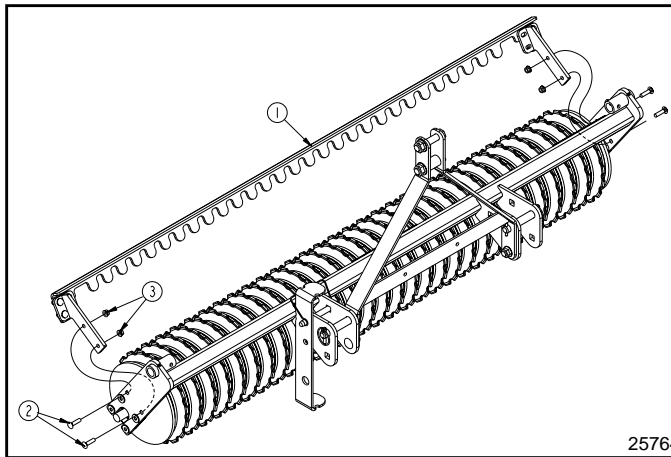


**Pull Type Hitch Assembly
With Drawbar 13" & Higher
Figure 1-2**



**Pull Type Hitch Assembly
With Drawbar under 13" High
Figure 1-3**

Section 1: Assembly & Set-up



Roller Scraper Assembly
Figure 1-4

3-Point Hook-Up

Refer to Figure 1-5 & Figure 1-6:



DANGER

Crushing Hazard between tractor and implement. Do not allow anyone to stand between tractor and implement while backing-up to an implement. **Do not** operate hydraulic 3-point lift controls while someone is directly behind the tractor or near the Seed Bed Roller.



DANGER

Engage parking brake, shut off tractor and remove key before dismounting from the tractor.



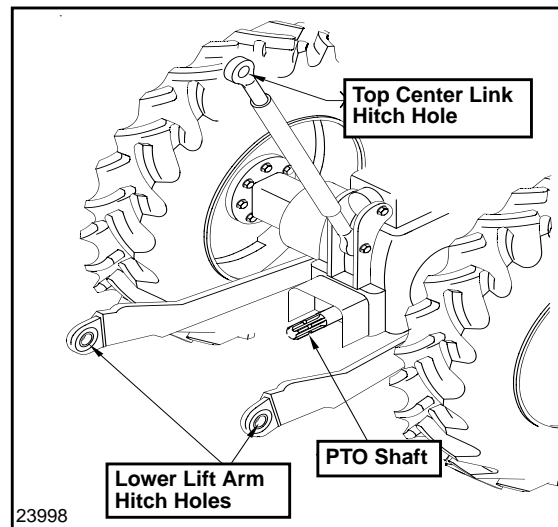
WARNING

See Figure 3-5 on page 15. Chock front and back of roller when using support stand to prevent unit from rolling and causing property damage and/or bodily injury.

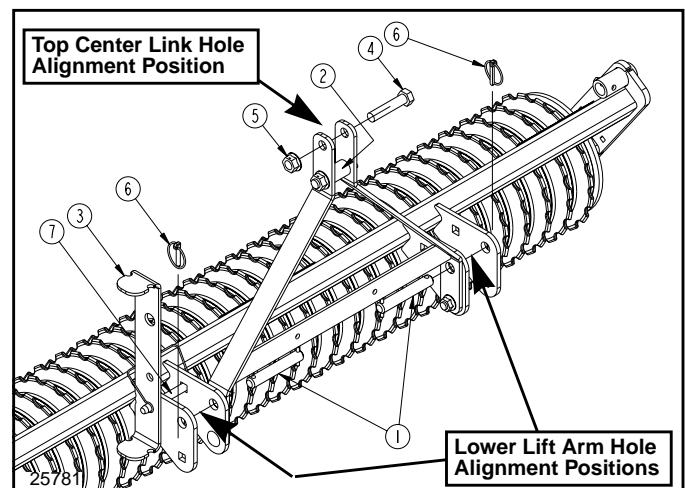
A 3-Point Category I hitch is required. The lower 3-Point arms of the 3-Point hitch must be stabilized to prevent side-to-side movement. Most tractors have sway blocks or adjustable chains for this purpose.

1. Slowly back tractor up to the Seed Bed Roller while using the tractor's 3-point hydraulic control to align the lower lift arm hitch holes with the clevis lug holes on the Seed Bed Roller.
2. Engage tractor park brake, shut tractor engine off and remove key before dismounting from tractor.
3. With lower lift arm hitch holes aligned with clevis lug holes, insert hitch pins (#1) through clevis and lower arm holes. Secure hitch pins with linchpins (#6).
4. Align top center link hitch hole with the upper hitch holes and insert 3/4" bolt (#4). Secure bolt with flange lock nut (#5). Draw nut up snug.
5. Ensure lower hitch arms are blocked to prevent excessive side movement.

6. Return to the tractor, start engine and slowly operate 3-point controls to lift lower arms up just enough to raise support stand (#3) off the ground.
7. Engage tractor park brake, shut tractor engine off and remove key before dismounting from tractor.
8. Remove support stand (#3), turn it over and reattach it as shown in Figure 1-6 with wire snap lock pin (#7). (Remember: Small notches in stand are mounted towards the frame tube.)
9. Operate 3-point controls up and down to check for clearance between the Seed Bed Roller and tractor. Move or remove tractor drawbar if it interferes with the Seed Bed Roller.
10. Manually adjust one of the two Lower lift arms up or down to level the Seed Bed Roller from left to right. Manually adjust the length of the top center link to level the Seed Bed Roller from front to rear.
11. When using a Quick Hitch, attach center hook to 1 1/4" spacer (#2) and lower hooks to hitch pins (#1).



Tractor 3-Point Hitch
Figure 1-5



Seed Bed Roller Hook-Up
Figure 1-6

Section 1: Assembly & Set-up

Pull-type Hook-up

DANGER

Crushing Hazard between tractor and implement. Do not allow anyone to stand between the tractor and implement while backing-up to an implement.

DANGER

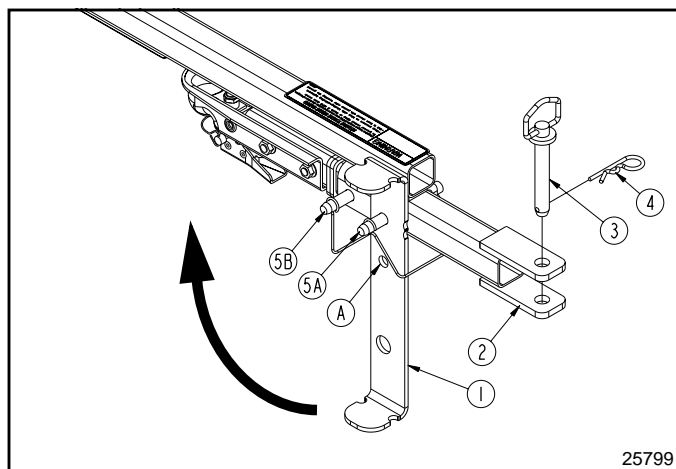
Engage parking brake, shut off tractor and remove key before dismantling from the tractor.

WARNING

The Seed Bed Roller hitch has negative weight.

WARNING

See Figure 3-5 on page 15. Chock front and back of roller when using support stand to prevent unit from rolling and causing property damage and/or bodily injury.



Clevis Hook-up (Tractor drawbar height under 13")
Figure 1-7

Clevis Hook-up

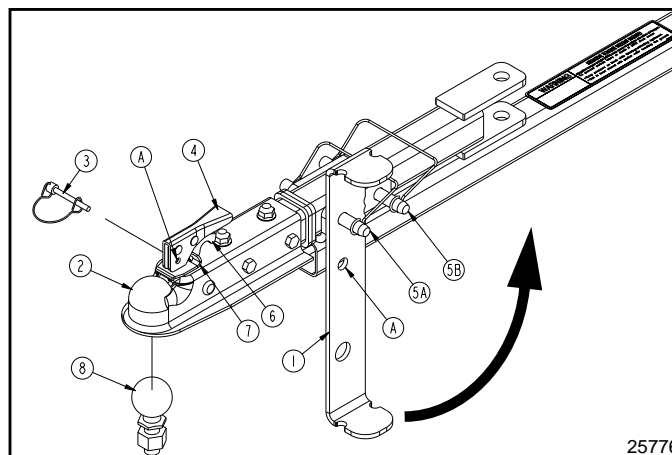
Refer to Figure 1-7 & Figure 1-8:

1. Back machine up to the Seed Bed Roller until hole in drawbar hitch is aligned with holes in the clevis hitch.
2. Dismount machine properly and insert hitch pin (#3) through hitch clevis holes and drawbar hitch hole. Install hair pin cotter (#4).
3. Without removing wire snap lock pins (#5A & #5B):
 - Unhook wire retainers for both pins (#5A & #5B).
 - Rotate bottom of support stand (#1) back until hole "A" is in alignment with wire snap lock pin (#5B).
 - Push support stand onto both wire snap lock pins and re-hook wire retainers.

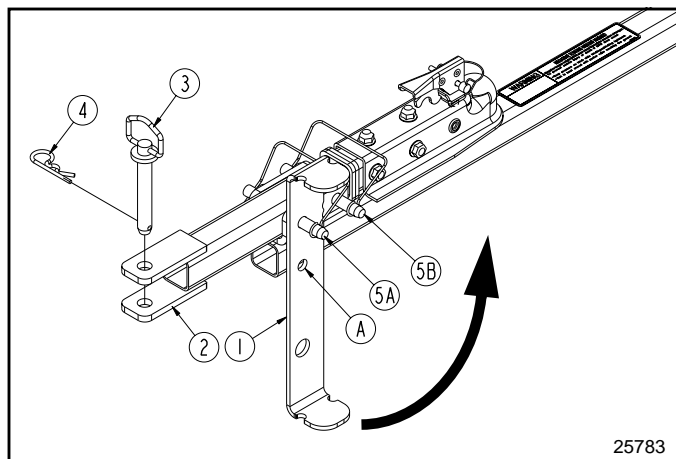
Ball Hook-up

Refer to Figure 1-9:

1. Attach customer supplied 2" ball (#8) to the machine pulling the Seed Bed Roller. Tighten nut supplied with the ball to correct torque. 2" Ball with 3/4" shank (P/N 890-975C) can be purchased from Land Pride.
2. Back machine up to the Seed Bed Roller until the 2" ball is in alignment with ball socket in hitch (#2).



Ball Hook-up (Drawbar height 13" and higher)
Figure 1-9



Clevis Hook-up (Tractor drawbar height 13" and higher)
Figure 1-8

3. Remove retaining pin (#3), pull up on lock latch trigger (#6) and then pull up on release handle (#4).
4. With handle (#4) up, lower hitch (#2) over 2" ball (#8).
5. Make sure hitch (#2) is fully on ball (#8) and then push handle (#4) down until lock latch (#6) is secured in notch (#7).
6. Insert wire retaining pin (#3) in hole "A" and secure pin in place with its wire retainer.
7. Without removing the two front wire snap lock pins (#5A & #5B):
 - Unhook wire retainers for both pins (#5A & #5B).
 - Rotate bottom of support stand (#1) back until hole "A" is in alignment with wire snap lock pin (#5B).
 - Push support stand onto both wire snap lock pins and re-hook wire retainers.

Section 2: Adjustments

Scraper Bar Adjustment

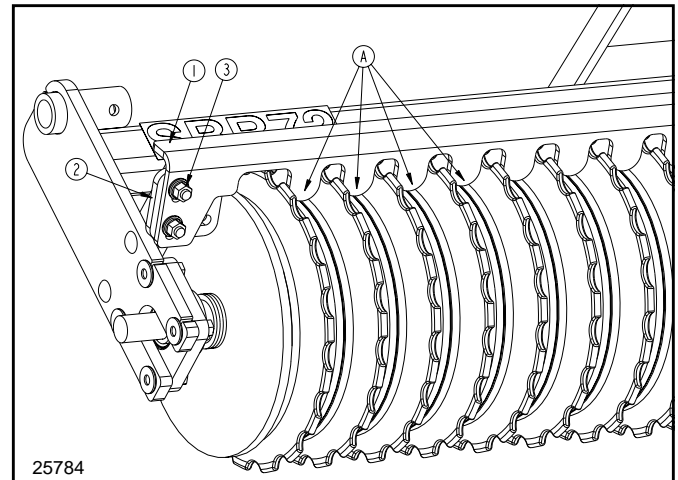
Refer to Figure 2-1:

IMPORTANT: Scraper bar must be adjusted with rear roller resting on the ground to ensure roller rings are in their upper most position.

1. Slightly loosen hex nuts (#3) on both ends of the scraper bar (#1). Nuts should be loose enough to allow scraper bar movement but tight enough to hold the scraper bar in place until nuts have been retightened.

IMPORTANT: Tapping with a hammer may be required to move scraper bar (#1). When doing so, be sure to place a block of wood in the area to be tapped. Tap hammer against the wood and not the scraper bar to help protect the finish.

2. Adjust scraper bar (#1) left or right to center scraper teeth (#A) in the roller flutes and up or down until the teeth just clear the bottom of the roller flutes. Some light tapping with a hammer against a properly placed block of wood may be required to move the scraper bar.
3. Tighten 3/8"-16 nuts (#3) to the correct torque. Refer to "Torque Values Chart For Common Bolt Size" on page 21.



Scraper Adjustment
Figure 2-1

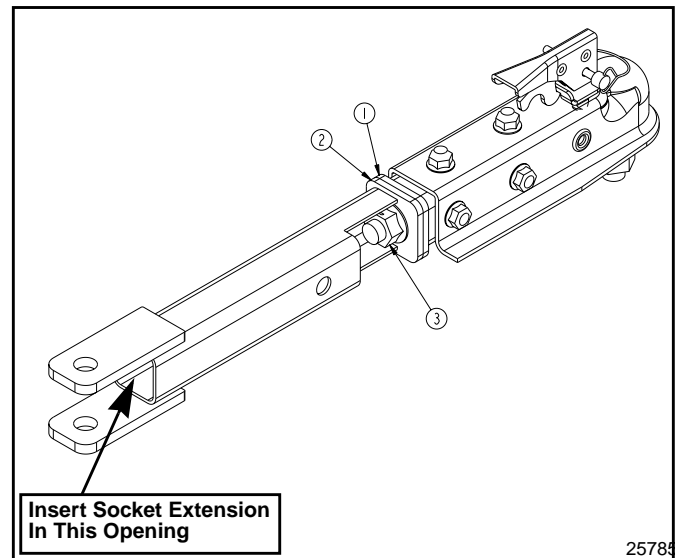
Ball Hitch Swivel Adjustment

Refer to Figure 2-2:

IMPORTANT: Hex flange lock nut (#3) should be adjusted tight enough so that the two mating plates (#1 & #2) make contact but loose enough so that the plates can rotate against each other.

A 16" long socket extension and 1 1/8" hex socket will be required to reach the 3/4" hex flange nut (#3).

1. Hold plate (#1) from turning and tighten hex flange nut (#3) until plate (#1) is against plate (#2).
2. Rotate ball hitch about plate (#2) by hand. If ball hitch will not rotate, back nut (#3) off until it will rotate.



Ball Hitch Swivel Adjustment
Figure 2-2

Section 3: Operating Procedures

Operating Check List

Hazard control and accident prevention are dependent upon the awareness, concern, prudence and proper training involved in the operation, transport, maintenance and storage of the Seed Bed Roller. Therefore, it is absolutely essential that no one operates the roller without first having read, fully understood and become totally familiar with the Operator's Manual. Make sure the operator has paid particular attention to:

- Important Safety Information, pages 1 to 4
- Section 1: Assembly & Set-up, page 7
- Section 2: Adjustments, page 11
- Section 3: Operating Procedures, page 12
- Section 4: Maintenance & Lubrication, page 16

Operating Checklist

✓	Check	Referenc
	Check 3-Point Hook-up procedure. Be sure all pins have been installed and are secured.	Page 9
	Check Pull Type Hook-up procedure. Be sure hitch pin or ball hitch is secured to the draw bar.	Page 10
	Check optional rear scraper. Make sure it has been adjusted and all bolts are tight.	Page 11
	Check ball hitch swivel. Make sure the swivel nut is properly tightened.	Page 11
	Make sure the operator has read and knows how to operate the Seed Bed Roller.	Page 12
	Make sure the Seed Bed Roller has been lubricated as required.	Page 16
	Check Seed Bed Roller initially and periodically for loose bolts & pins, Tighten bolts to the correct torque.	Page 21

Make the following inspections if the Seed Bed Roller is attached to a 3-Point lift:

1. Inspect tractor safety equipment. Make sure the tractor is in good working condition.
2. Carefully raise and lower the implement to ensure that the tractor drawbar, tires, and other equipment on the tractor do not contact the frame and roller.
3. Make sure the lower 3-Point arms are stabilized to prevent side-to-side movement. Most tractors have sway blocks or adjustable chains for this purpose.
4. Check tractor ballast. Ballast may need to be added to your tractor to maintain steering control. Refer to your tractor Operators Manual to determine whether or not to add ballast.

Make the following inspections if the Seed Bed Roller is attached to a drawbar:

1. Inspect safety equipment of the machine pulling the Seed Bed Roller. Make sure the machine is in good working condition.
2. Inspect levelness of tongue when setting-up. See "Important Note" in box on page 8. Turn hitch assembly over if needed by removing bolts (#10) and pins (#17) shown in Figure 1-2 on page 8. Replace bolts and pins with clips after turning hitch assembly over. Be sure to tighten the nuts to the correct torque.

Transporting



CAUTION

When traveling on public roads at night or during the day, use accessory lights and devices for adequate warning to operators of other vehicles. Comply with all federal, state and local laws.

1. The 3-Point Seed Bed Roller should be lifted as high as possible to clear the ground when transporting.
2. The frame and scrapers on the pull type Seed Bed Roller are low to the ground while in transport position. Be careful not to hit objects protruding from the ground with the Seed Bed Roller.
3. Leave enough clearance on both sides of the Seed Bed Roller when traveling straight and when making turns to keep the unit from contacting obstacles such as buildings, trees and fences. Always reduce ground speed when turning.
4. Select a safe ground travel speed when transporting from one area to another. Do not travel over 10 MPH while carrying the Seed Bed Roller on its wheels.
5. Always travel on roadways in such a way that faster moving vehicles may pass you safely.
6. Slow down when traveling over rough or hilly terrain.
7. Never back-up with the Seed Bed Roller down.
8. Be aware of negative hitch weight on the pull type Seed Bed Roller when in transporting. Negative hitch weight can cause loss of vehicle control. Add weight to the rear of the vehicle if needed.
9. Do not transport on a public roads with roller down. Damage to unit and/or road may occur.

Section 3: Operating Procedures

Operating Instructions



CAUTION

Be careful when lowering the pull type roller to ground. Make sure no one is under, behind or near the unit when lowering. The roller is very heavy and can crush someone. The hitch can also flip over suddenly and hit someone.



CAUTION

Do not use the Seed Bed Roller to pull or push fence post, stumps or any other object.



DANGER

Do not carry a rider on the Seed Bed Roller. Riders can get hurt while being carried or fall and be crushed by the roller.

IMPORTANT: Damage to the 3-Point Seed Bed Roller can occur if the unit is not raised off of the ground before making sharp turns.

IMPORTANT: Damage to pull type Seed Bed Roller can occur to tongue and machine pulling the unit if too sharp a turn is made.



CAUTION

Be aware of negative hitch weight when unhooking the Seed Bed Roller while in transport position. The hitch can suddenly swing up.



CAUTION

Be aware of positive hitch weight when unhooking the Seed Bed Roller while in field position. The hitch can suddenly drop while unhooking the unit.

- Lower Seed Bed Roller to the ground as follows:

3-Point Type:

- Lower roller to the ground using the tractor's 3-Point lift controls. Make any required final adjustments to the 3-Point lower arms and center link as outlined in step 10 on page 9.

Pull-Type:

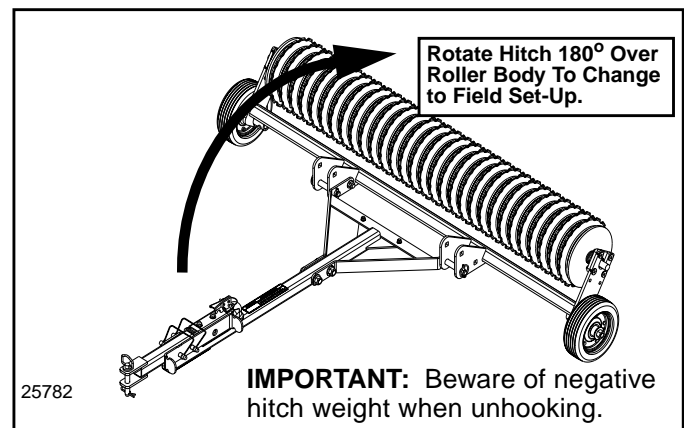
a. Transport Position to Field Position:

Lower roller to ground by unhooking from the pulling machine and lifting up and rotating the hitch 180° up over the roller body as shown in Figure 3-1. Re-hook hitch to the drawbar. If using ball hitch, rotate ball hitch 180° to re-hookup.

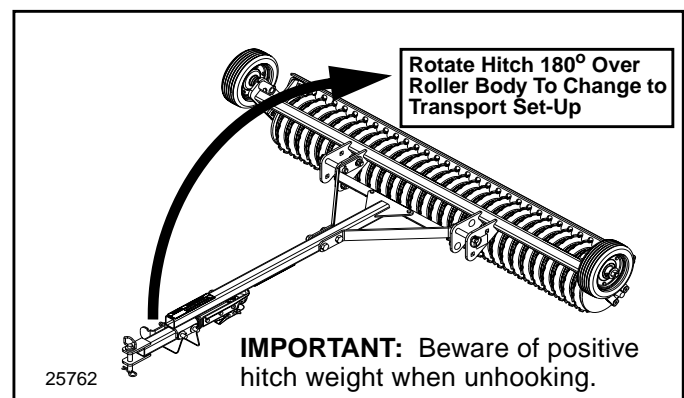
b. Field Position to Transport Position:

Raise roller for transporting by unhooking from the pulling machine, lifting up and rotating the hitch 180° up over the roller body as shown in Figure 3-2. Re-hook hitch to the machine. If using ball hitch, rotate ball hitch 180° to re-hookup.

- With the roller on the ground, travel straight forward at a safe speed of 3 to 5 MPH. Allow room to make wide turns or lift the unit out of the ground to make sharp turns. Make wide turns when:
 - 3-Point Type: Always raise the Seed Bed Roller off the ground before turning around at the end of a run and when making sharp corners.
 - Pull-Type: Make sure the tires on the machine pulling the Seed Bed Roller do not make contact with the tongue and if attached, drag harrow chain.
- Do not operate in reverse (traveling backwards) with the roller on the ground. The Seed Bed Roller is designed for working soil while traveling forward only. Damage to the frame may occur.
- It is best to cross ditches straight on, to make full roller contact with the soil.



Pull-Type Set-Up (Transport Set-Up Shown)
Figure 3-1



Pull-Type Set-Up (Field Set-Up Shown)
Figure 3-2

Section 3: Operating Procedures

Unhooking the Seed Bed Roller

 **DANGER**

Always engage parking brake, shut off tractor and remove key before dismounting from tractor.

3-Point Type

1. See Figure 1-1 on page 7. Set support stand in park position.
2. Lower Seed Bed Roller onto a level solid surface. The roller may start rolling while unhooking if not on level ground.
3. Shut tractor engine off and engage parking brake.
4. Ensure that the unit is stable. Chock front and back of rear roller if needed especially if unit is not on level ground.
5. Disconnect top center link from the Seed Bed Roller.
6. Disconnect the lower 3-Point lift arms from the Seed Bed Roller.

Pull Type

 **WARNING**

Chock front and back of roller when using support stand to prevent unit from rolling and causing property damage and/or bodily injury.

1. Park on a level solid surface. The roller may start rolling while unhooking if not on level ground.
2. Shut vehicle engine off and engage parking brake.
3. Ensure that the unit is stable. Chock front and back of rear roller to prevent unit from rolling.
4. Disconnect clevis hitch or ball hitch from machine towing the Seed Bed Roller.
5. If in transport, rotate hitch 180° over the roller body to rest unit on the rollers and not on the wheels.
6. Set support stand in park position. (See Figure 3-5 on page 15.)
7. See Storage Instructions below for alternate positions to store pull type unit.

Storage Instructions

Clean Seed Bed Roller at the end of the working season or when the roller will not be used for a long period.

1. Clean off any dirt or grease that may have accumulated on the roller and moving parts. Scrape off compacted dirt and then wash the surface thoroughly with a garden hose.
2. Inspect for loose, damaged or worn parts and adjust or replace as needed.
3. Lubricate as noted in the *Lubrication* portion of this section starting on page 16.

 **CAUTION**

Be careful when lowering the pull type roller to ground. Make sure no one is under, behind or near the unit when lowering. The roller is very heavy and can crush someone. The hitch can also flip over suddenly and hit someone.

4. Store Seed Bed Roller in a clean, dry place.

Pull-Type Units

There are three methods of storing pull-type units:

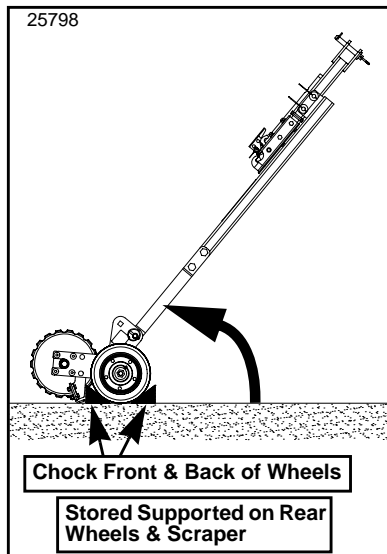
- Position unit on a flat level surface. Raise pull hitch up until unit is resting on its rear wheels and scrapers as shown in Figure 3-3. Use auxiliary supports or posts if necessary to prevent the possibility of the unit tipping over. Chock front and back of wheels.
- Position unit on a flat level surface. Raise pull hitch up until the unit is resting on its rear roller and scrapers as shown in Figure 3-4. Ensure unit is stable. Use auxiliary supports or posts if necessary to prevent the possibility of the unit tipping over. Chock front and back of roller.
- Do not leave unit resting on its wheels (transport position) and hitch support. The hitch can develop negative weight and swing up on its own. Instead, position unit on a flat level surface. Rotate hitch up and over 180° until unit is resting on the hitch support and rear roller as shown in Figure 3-5. Ensure unit is stable by chocking the front and back of roller.

3-Point Lift Units

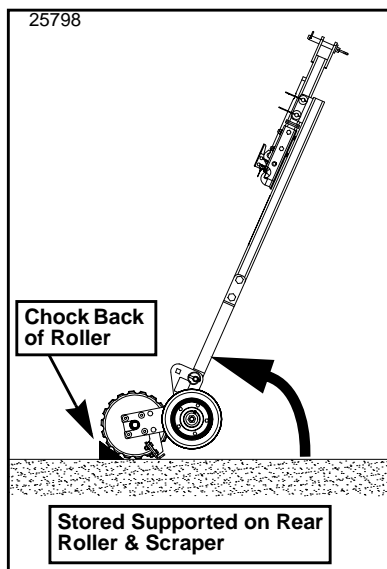
- Position unit on a flat level surface. Lower 3-Point hitch until the rear roller and support stand are resting on the ground. Ensure that the unit is stable. Chock rear roller if needed especially if unit is not on level ground.
5. Repaint where paint is worn or scratched to prevent rust. Ask your dealer for Land Pride touch-up paint.

Land Pride Aerosol Touch-up Paint	
Part No.	Part Description
821-011C	PAINT LP BEIGE AEROSOL SPRAY CAN
821-002C	PAINT LP BLACK AEROSOL SPRAY CAN
821-054C	PAINT MEDIUM RED AEROSOL SPRAY CAN
821-058C	PAINT GREEN AEROSOL SPRAY CAN
821-066C	PAINT ORANGE AEROSOL SPRAY CAN
821-067C	PAINT BLUE AEROSOL SPRAY CAN

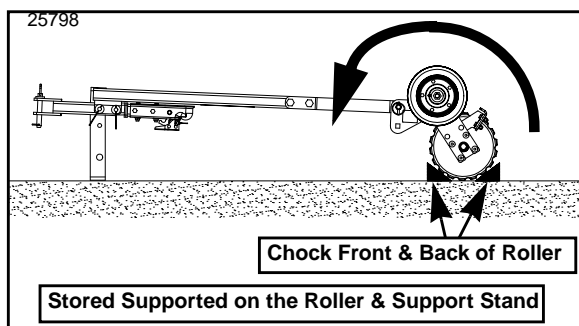
Section 3: Operating Procedures



Storage Positions For Tight Areas
Figure 3-3



Storage Positions For Tighter Areas
Figure 3-4



Storage Position Using Support Stand
Figure 3-5

General Operating Instructions

WARNING

Do not use the roller for pulling fence posts, stumps, etc., lifting objects, carry objects or towing other equipment. Any of the above can result in roller damage, serious bodily injury or death.

DANGER

Never carry a person on the roller. A person can fall and be ran over by the roller or tractor causing serious injury or death.

By now you should have read the operator's manual and familiarized yourself with all of the possible applications and mounting instructions for your Land Pride Seed Bed Roller. You should now also be familiar with recommended safety and maintenance procedures. It's time to put your new Seed Bed Roller to work. Whether you have a three-point hitch mounted model or a pull-type, it will be important to maintain a ground speed below 7 miles per hour. Driving faster than 7 mph can result in causing your roller to bounce and not deliver the surface finish and seed to soil contact required for maximum germination. It is also best to avoid sharp turns if you want to maintain a uniform finish. The soil should have a very dry texture to it when rolling seed into firmer contact with the soil. Wet or sticky soil will build up on the roller only to be scraped off and deposited on the surface in non-uniform clumps by the roller scrapers. If you are rolling to press seed down in an Overseeding application on pasture or turf grass, it is also important to wait till the grass is dry to avoid accumulations of seed build up sticking to the roller.

If you are transporting a pull-type Seed Bed Roller from one location to another, it is important to remember that the 10" transport wheels are for low speed use and therefore a 10 mph top transport speed should not be exceeded. It is also important to note that in the transport mode you have approximately 5" of ground clearance so take care not to drive over larger rocks, debris, and protruding tree roots. Never pull onto hard surfaces or paved areas with the roller on the ground or excessive wear and damage may occur. The Land Pride Seed Bed Roller is a very user friendly attachment and with a little practice you should begin to achieve professional results in no time at all. See Specifications and Feature Benefits sections on pages 19 & 20 for additional information.

Section 4: Maintenance & Lubrication

Maintenance

CAUTION

Do not work on or around the Seed Bed Roller without blocking the unit properly. The roller raised off the ground could drop suddenly crushing someone. If the roller is on the ground, it could roll onto someone crushing that person.

Proper servicing and adjustment is the key to the long life of any implement. With careful and systematic inspection, you can avoid costly maintenance, time and repair.

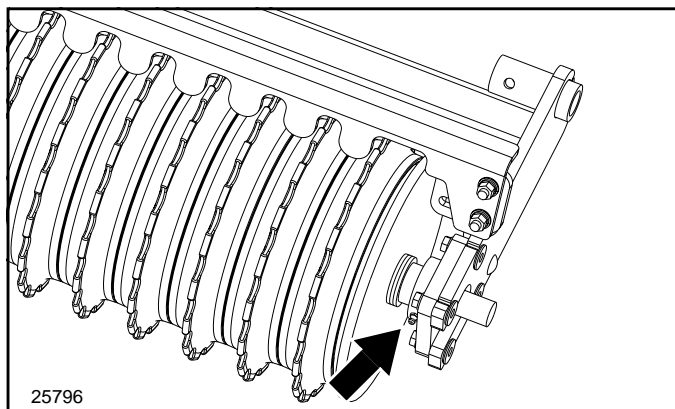
After using your Seed Bed Roller for several hours, check all bolts to be sure they are tight. Loose bolts can damage the unit and/or hurt someone especially if the roller falls from the support frame.

Always use genuine Land Pride replacement parts. Any Land Pride equipment that has been altered or modified without Land Pride's specific recommendation, approval and authorization in writing excludes the warranty.

Replace any worn, damaged or illegible safety labels by obtaining new labels from your Land Pride Dealer.

Lubrication

Lubrication Legend	Multi-purpose spray lube	Multi-purpose grease lube	Multi-purpose oil lube	50 hrs	Intervals in hours at which lubrication is required



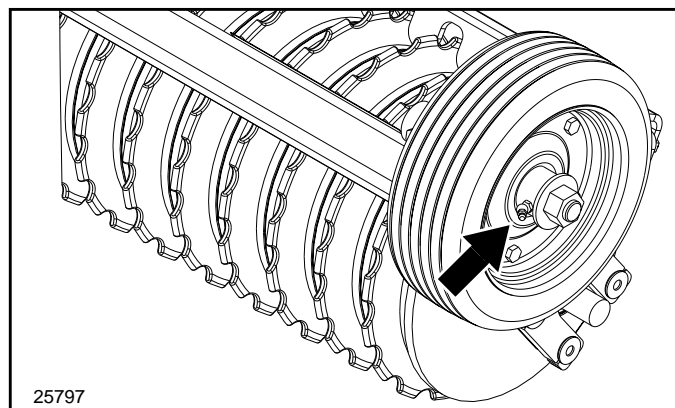
	8 Hours
--	---------

Roller Flange Bearings

Number of Zerks: 2

Type of Lubrication: Multi-purpose Grease

Quantity = 2 pumps



	8 Hours
--	---------

Wheel Bearings

Number of Zerks: 2

Type of Lubrication: Multi-purpose Grease

Quantity = 2 pumps

Section 5: Additional Equipment

Additional Seeding Equipment

Disc Harrow

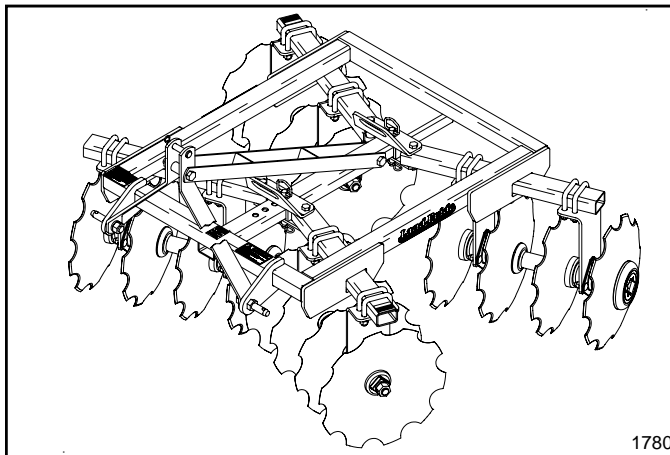
Refer to Figure 5-1:

Land Pride Disc Harrows are designed to open and break up soil surface in preparation for planting.

Land Pride Disc Harrow Models

- Model DH1048 & DH1060 48" & 60" Wide
- Model DH1560 & DH1572 60" & 72" wide
- Model DH2572 & DH2584 72" & 84" wide

Additional equipment can be attached behind the Disc Harrow to make it a complete seeding package. See "Complete One Pass Seeding Application" on page 18.



Disc Harrow Assembly (DH Series)
Figure 5-1

Electric Spin Spreader

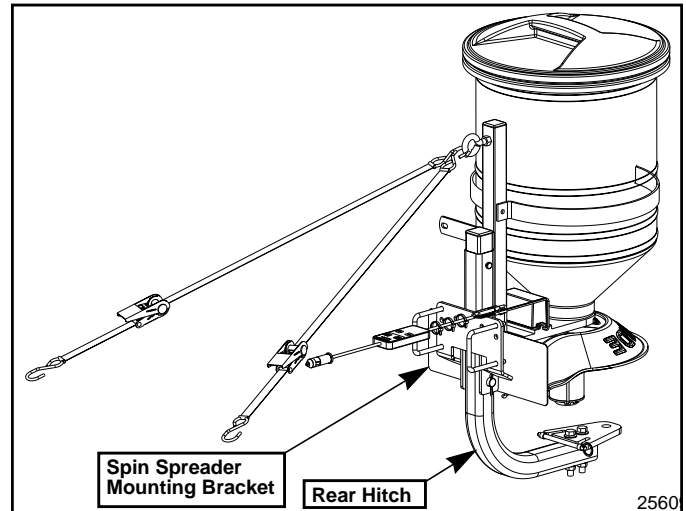
Refer to Figure 5-2:

The Land Pride Electric Spin Spreader is a highly versatile package designed to plant or spread seeds, fertilizer, lime, gypsum, and other soil conditioning amendments at distances ranging from 4 ft. to 20 ft. It can also be used in the off-season to spread sand or salt for winter icing or slick snow conditions.

The unit has a 12 Volt remote tether control that can be operated right from the driver seat to turn the spreader on or off or to set the seed-gate opening to different application rates.

The Spin Spreader has applications in overseeding of pastures, grassy runways, open areas, roadsides, medians, wild game food plots, hunting clubs, hunting resorts, ranches, farms, game preserves, landscaping, and hobby farming. It also works very well in gardens and nurseries to incorporate fertilizer and pelletized gypsum or lime as soil amendments.

Accessories are available for mounting the spreader to a 2" receiver hitch on a utility vehicle or to a Land Pride Disc Harrow. A rear hitch can be attached to the Disc Harrow Spin Spreader mounting bracket. The Drag Harrow and Seed Bed Roller can then be hitched to the rear hitch. See "Complete One Pass Seeding Application" on page 18.



Electric Spin Spreader, Mounting Bracket & Rear Hitch
Figure 5-2

Drag Harrow

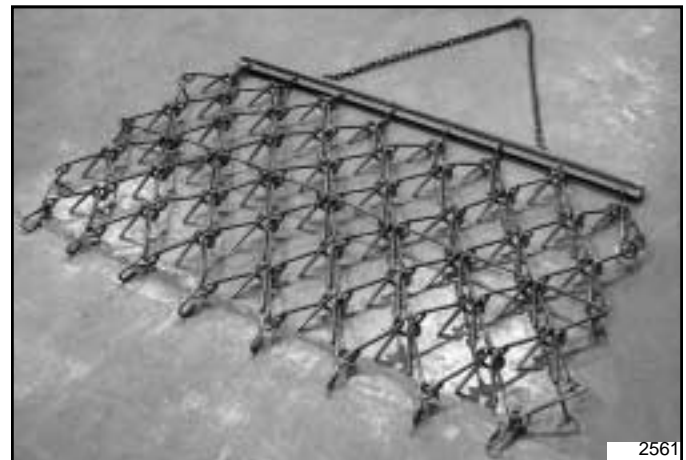
Refer to Figure 5-3:

The Land Pride Drag Harrows are designed for various types of seedbed and ground preparations. They can be used to smooth out freshly cultivated soil, work seed and fertilizer into freshly cultivated soil or into turf and pasture grass, fluff and level arenas, aerate soil for faster dry-down time, de-thatch and aerate lawns and pastures, break up aeration cores on turf surfaces and groom snow-packed ski resorts.

The Drag Harrow can also be used in tandem with Land Pride's Disc Harrow, Electric Spin Spreader and Seed Bed Roller to provide a highly efficient and complete seeding application in one pass. See "Complete One Pass Seeding Application" on page 18.

Land Pride Drag Harrow Models

- Model DRG04 4 ft. wide x 4 ft. long
- Model DRG06 6 ft. wide x 4 ft. long
- Model DRG08 8 ft. wide x 4 ft. long



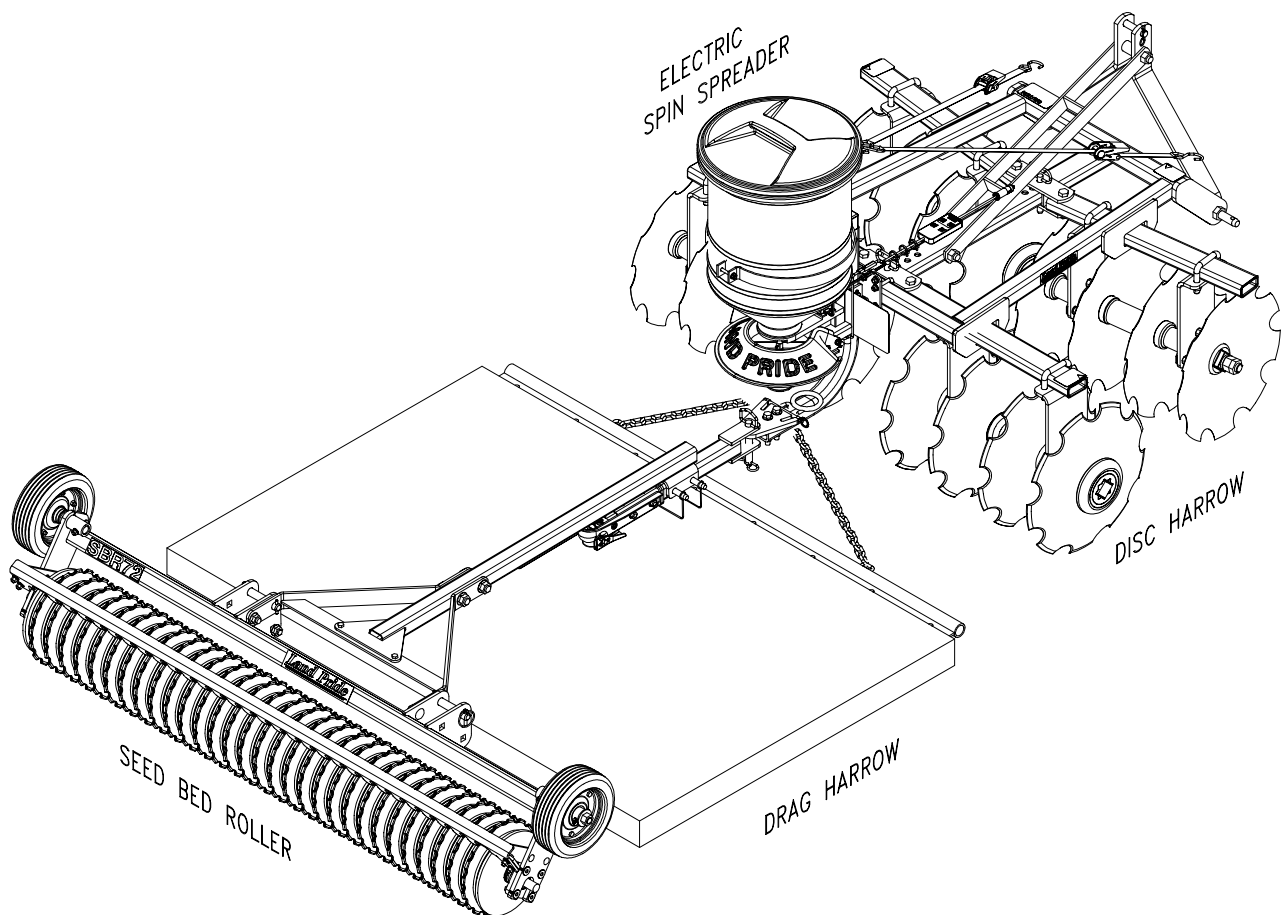
Drag Harrow (6' x 4" Shown)
Figure 5-3

Section 5: Additional Equipment**Complete One Pass Seeding Application**

Refer to Figure 5-4:

Land Pride offers a Seeder/Overseeder component system for one-pass ground cultivation and seed to soil integration for applications on previously tilled soil, existing pasture ground, large grassy areas, reclamation sites and wild game food plots. This system is comprised of a Land Pride Disc Harrow, rear mounted Electric Spin Spreader with special hitch kit, trailing Drag Harrow, and trailing Pull-type Seed Bed Roller.

See your nearest Land Pride Dealer for more information or visit our web site at www.landpride.com.



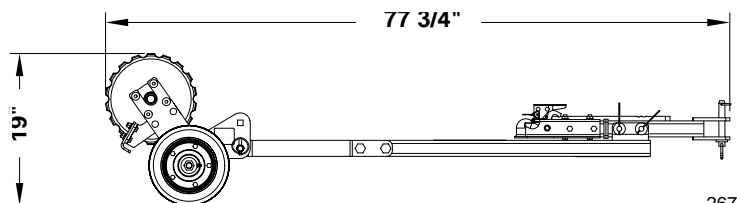
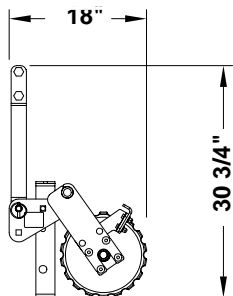
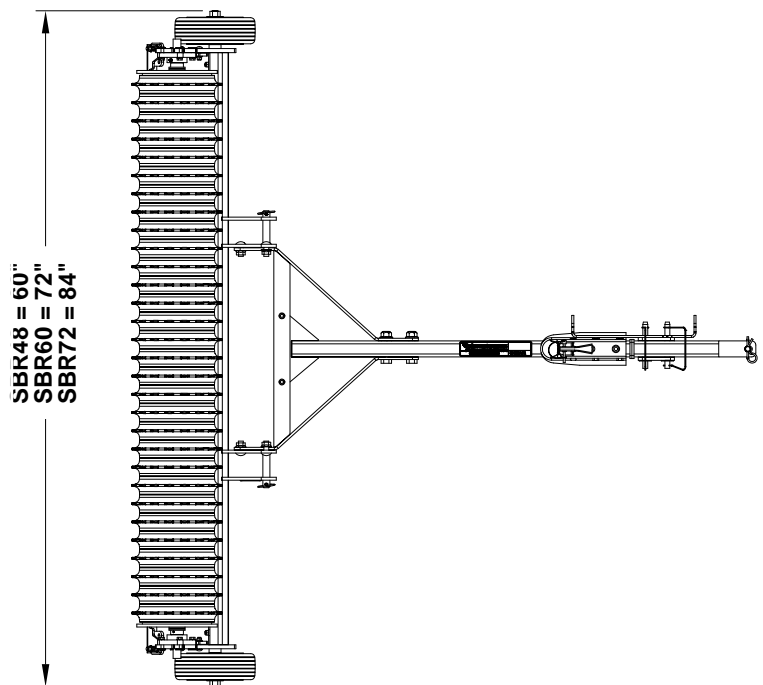
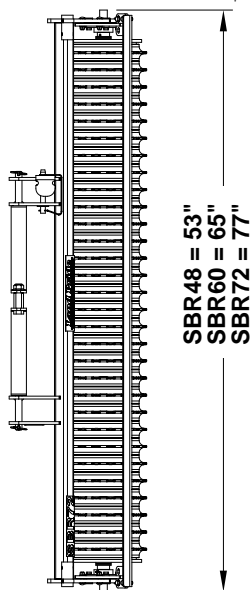
2580;

**Complete One Pass Seeding Application
Figure 5-4**

Section 6: Specifications & Capacities

SBR Series

Description	Three-Point			Pull-Type		
	SBR48	SBR60	SBR72	SBR48	SBR60	SBR72
Unit Weight	320 lbs.	372 lbs.	442 lbs.	360 lbs.	412 lbs.	478 lbs.
Minimum Required Tractor Weight	700 lbs.	800 lbs.	900 lbs.	450 lbs.	550 lbs.	600 lbs.
Working Width	48"	60"	72"	48"	60"	72"
Overall Width	53"	65"	77"	60"	72"	84"
Overall Length	18"			77"		
Overall Height	30 3/4"			18.9"		
Roller Diameter	11 3/8"			11 3/8"		
Roller Material Construction	Notched Gray Iron			Notched Gray Iron		
Hitch Type	Cat. 1 and Cat. 1 QH Compatible			Pull-type Clevis and Indexing 2" Ball Combination		
Tractor HP Requirement	18-50 hp.			18-50 hp.		
Roller Scrapers	Standard Equipment			Standard Equipment		
Transport Wheels	N/A			Two 10" x 3 1/4" Solid Rubber Straight Ribbed Tread		
Hitch Support Stand	Standard Equipment			Standard Equipment		



Three Point Type

Pull Type

26791

26790

SBR Series

Features	Benefits
Category 1 Three-point hitch or Pull-type Configurations.	Matches customers operational and equipment needs.
Three point hitch model is Cat. 1 Quick Hitch compatible.	Makes for faster and easier hook-up to the tractor.
Standard equipment support stands for both three-point hitch and pull-type models.	Keeps the hitches up and out of the dirt and ready for easy hook-up.
Optional Pull-type Hitch assembly bolts on and converts the Three-point model to a Pull-type model.	Provides low cost dual hitch capability for added value and operational versatility.
Indexing dual capability hitch on Pull-type configuration.	Insures easy fit and function for 2" ball or pin and clevis type attachment.
Low maintenance indexing flip-over hitch on pull-type configuration.	Allows operator's to switch from transport to working position and back again with ease and keeps costs down.
Notched and ribbed patterned gray iron roller.	Provides for optimal seedbed finish and long durable product life.

Section 8: Appendix

Torque Values Chart For Common Bolt Size

Bolt Size (Inches) in-tpi ¹	Bolt Head Identification						Bolt Size (Metric) mm x pitch	Bolt Head Identification					
	N · m	ft-lb ³	N · m	ft-lb	N · m	ft-lb		N · m	ft-lb	N · m	ft-lb	N · m	ft-lb
1/4" - 20	7.4	5.6	11	8	16	12	M 5 X 0.8	4	3	6	5	9	7
1/4" - 28	8.5	6	13	10	18	14	M 6 X 1	7	5	11	8	15	11
5/16" - 18	15	11	24	17	33	25	M 8 X 1.25	17	12	26	19	36	27
5/16" - 24	17	13	26	19	37	27	M 8 X 1	18	13	28	21	39	29
3/8" - 16	27	20	42	31	59	44	M10 X 1.5	33	24	52	39	72	53
3/8" - 24	31	22	47	35	67	49	M10 X 0.75	39	29	61	45	85	62
7/16" - 14	43	32	67	49	95	70	M12 X 1.75	58	42	91	67	125	93
7/16" - 20	49	36	75	55	105	78	M12 X 1.5	60	44	95	70	130	97
1/2" - 13	66	49	105	76	145	105	M12 X 1	90	66	105	77	145	105
1/2" - 20	75	55	115	85	165	120	M14 X 2	92	68	145	105	200	150
9/16" - 12	95	70	150	110	210	155	M14 X 1.5	99	73	155	115	215	160
9/16" - 18	105	79	165	120	235	170	M16 X 2	145	105	225	165	315	230
5/8" - 11	130	97	205	150	285	210	M16 X 1.5	155	115	240	180	335	245
5/8" - 18	150	110	230	170	325	240	M18 X 2.5	195	145	310	230	405	300
3/4" - 10	235	170	360	265	510	375	M18 X 1.5	220	165	350	260	485	355
3/4" - 16	260	190	405	295	570	420	M20 X 2.5	280	205	440	325	610	450
7/8" - 9	225	165	585	430	820	605	M20 X 1.5	310	230	650	480	900	665
7/8" - 14	250	185	640	475	905	670	M24 X 3	480	355	760	560	1050	780
1" - 8	340	250	875	645	1230	910	M24 X 2	525	390	830	610	1150	845
1" - 12	370	275	955	705	1350	995	M30 X 3.5	960	705	1510	1120	2100	1550
1-1/8" - 7	480	355	1080	795	1750	1290	M30 X 2	1060	785	1680	1240	2320	1710
1 1/8" - 12	540	395	1210	890	1960	1440	M36 X 3.5	1730	1270	2650	1950	3660	2700
1 1/4" - 7	680	500	1520	1120	2460	1820	M36 X 2	1880	1380	2960	2190	4100	3220
1 1/4" - 12	750	555	1680	1240	2730	2010	¹ in-tpi = nominal thread diameter in inches-threads per inch ² N · m = newton-meters ³ ft-lb= foot pounds ⁴ mm x pitch = nominal thread diameter in millimeters x thread pitch						
1 3/8" - 6	890	655	1990	1470	3230	2380							
1 3/8" - 12	1010	745	2270	1670	3680	2710							
1 1/2" - 6	1180	870	2640	1950	4290	3160							
1 1/2" - 12	1330	980	2970	2190	4820	3560							

Torque tolerance + 0%, -15% of torquing values. Unless otherwise specified use torque values listed above.

Additional Torque Values

Wheel Spindle Nut (3/4"-10 Lock Nut)	Tighten lock nut until tire does not rotate easily and then back-off nut until tire turns freely.
Ball Hitch Swivel Nut (3/4"-10 Hex Flange Top Lock Nut)	See Important Note on page 11. Adjust nut tight enough so that the two mating plates make contact but loose enough so that the mating plates can rotate against each other.

Section 8: Appendix

Notes

Warranty

Land Pride warrants to the original purchaser that this Land Pride product will be free from defects in material and workmanship beginning on the date of purchase by the end user according to the following schedule when used as intended and under normal service and conditions for personal use.

Overall Unit: One year Parts and Labor

This Warranty is limited to the replacement of any defective part by Land Pride and the installation by the dealer of any such replacement part, and does not cover common wear items. Land Pride reserves the right to inspect any equipment or parts which are claimed to have been defective in material or workmanship.

This Warranty does not apply to any part or product which in Land Pride's judgment shall have been misused or damaged by accident or lack of normal maintenance or care, or which has been repaired or altered in a way which adversely affects its performance or reliability, or which has been used for a purpose for which the product is not designed. Misuse also specifically includes failure to properly maintain oil levels, grease points, and driveline shafts.

Claims under this Warranty should be made to the dealer which originally sold the product and all warranty adjustments must be made through an authorized Land Pride dealer. Land Pride reserves the right to make changes in materials or design of the product at any time without notice.

This Warranty shall not be interpreted to render Land Pride liable for damages of any kind, direct, consequential, or contingent to property. Furthermore, Land Pride shall not be liable for damages resulting from any cause beyond its reasonable control. This Warranty does not extend to loss of crops, any expense or loss for labor, supplies, rental machinery or for any other reason.

No other warranty of any kind whatsoever, express or implied, is made with respect to this sale; and all implied warranties of merchantability and fitness for a particular purpose which exceed the obligations set forth in this written warranty are hereby disclaimed and excluded from this sale.

This Warranty is not valid unless registered with Land Pride within 30 days from the date of purchase by the end user.



Corporate Office: P.O. Box 5060
Salina, Kansas 67402-5060 USA
www.landpride.com

Free Manuals Download Website

<http://myh66.com>

<http://usermanuals.us>

<http://www.somanuals.com>

<http://www.4manuals.cc>

<http://www.manual-lib.com>

<http://www.404manual.com>

<http://www.luxmanual.com>

<http://aubethermostatmanual.com>

Golf course search by state

<http://golfingnear.com>

Email search by domain

<http://emailbydomain.com>

Auto manuals search

<http://auto.somanuals.com>

TV manuals search

<http://tv.somanuals.com>