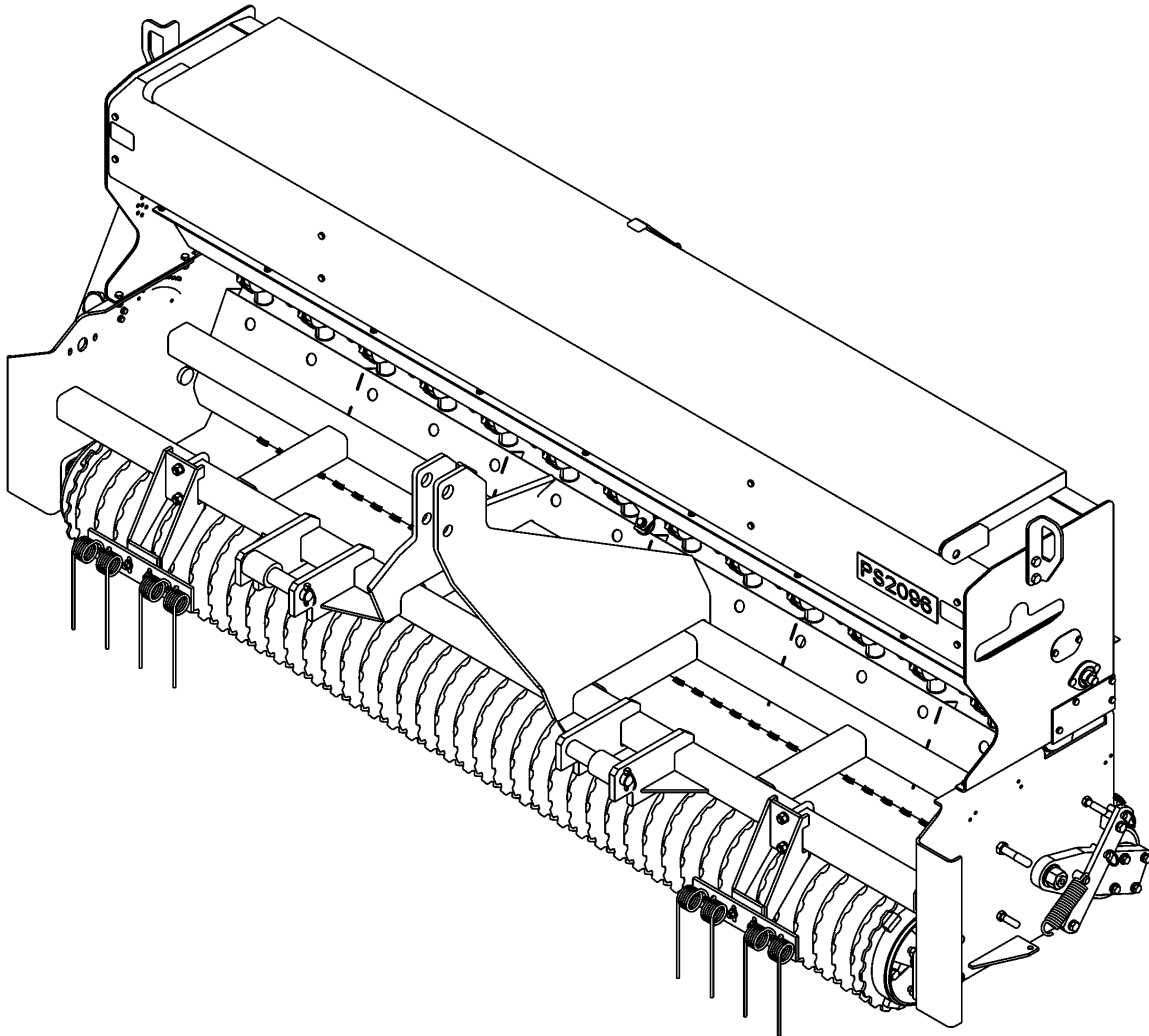


# Primary Seeder

PS2096



21336

## 313-308P Parts Manual



Read the Operator's manual entirely. When you see this symbol, the subsequent instructions and warnings are serious - follow without exception. Your life and the lives of others depend on it!

© Copyright 2008 Printed 03/27/08

Cover photo may show optional equipment not supplied with standard unit.





# Table of Contents

|   |           |                               |           |
|---|-----------|-------------------------------|-----------|
| <b>Section 1: Introduction.....</b>                           | <b>4</b>  | <b>Part Number Index.....</b> | <b>62</b> |
| Using This Manual.....  | 4         |                               |           |
| Manual Replacement Information.....                           | 4         |                               |           |
| Manual Revisions.....   | 4         |                               |           |
| Touch-up Paint.....   | 4         |                               |           |
| Hardware Legend.....  | 5         |                               |           |
| Replacement Hardware.....                                     | 5         |                               |           |
| Serial Numbers.....   | 5         |                               |           |
| Part Number Service Coding.....                               | 5         |                               |           |
| <br><b>PS20 SERIES</b>  |           |                               |           |
| <b>Section 2: Frame.....</b>                                  | <b>6</b>  |                               |           |
| Front Roller And Lower Hitch.....                             | 6         |                               |           |
| Rear Roller.....  | 8         |                               |           |
| Track Removers.....   | 10        |                               |           |
| <b>Section 3: Seed Box.....</b>                               | <b>12</b> |                               |           |
| Box Assembly S/N _____+.....                                  | 12        |                               |           |
| Box Assembly S/N 397502-.....                                 | 14        |                               |           |
| Box Assembly S/N 397503 to _____.....                         | 16        |                               |           |
| Box To Frame To SMV Assembly.....                             | 18        |                               |           |
| Seed Cup Assembly S/N 397502-.....                            | 20        |                               |           |
| Seed Cup Assembly S/N 397503+.....                            | 22        |                               |           |
| Seed Rate Adjustment Handle S/N 397503+.....                  | 24        |                               |           |
| Seed Rate Handle Assembly S/N 397502-.....                    | 26        |                               |           |
| <b>Section 4: Drive.....</b>                                  | <b>28</b> |                               |           |
| Drive Assembly.....   | 28        |                               |           |
| <b>Section 5: Decals.....</b>                                 | <b>30</b> |                               |           |
| Label Placement (Part 1).....                                 | 30        |                               |           |
| <b>Section 6: Small Seed.....</b>                             | <b>32</b> |                               |           |
| Small Grass Seed Box Assembly S/N 397503+.....                | 32        |                               |           |
| Small Grass Seed Box To Main Box Assemble S/N<br>397503+..... | 34        |                               |           |
| Small Grass Seed Box To Main Box Assembly S/N<br>397502-..... | 36        |                               |           |
| Small Grass Seed Cup And Box Assembly S/N 397502-.....        | 38        |                               |           |
| Small Grass Seed Drive S/N 397502-.....                       | 40        |                               |           |
| Small Grass Seed Drive S/N 397503+.....                       | 42        |                               |           |
| Small Grass Seed Label Placement S/N 397502-.....             | 44        |                               |           |
| Small Grass Seed Label Placement S/N 397503+.....             | 46        |                               |           |
| Small Grass Seed Seed Rate Handle S/N 397502-.....            | 48        |                               |           |
| Small Grass Seed Seed Rate Handle S/N 397503+.....            | 50        |                               |           |
| <b>Section 7: Pull Package.....</b>                           | <b>52</b> |                               |           |
| Hydraulic Arrangement.....                                    | 52        |                               |           |
| Hydraulic Cylinder 810-001C.....                              | 54        |                               |           |
| Label Placement (Part 2).....                                 | 56        |                               |           |
| Transport Axle.....   | 58        |                               |           |
| Transport Frame.....  | 60        |                               |           |

© Copyright 2008. All rights reserved.

Land Pride provides this publication "as is" without warranty of any kind, either expressed or implied. While every precaution has been taken in the preparation of this manual, Land Pride assumes no responsibility for errors or omissions. Neither is any liability assumed for damages resulting from the use of the information contained herein. Land Pride reserves the right to revise and improve its products as it sees fit. This publication describes the state of this product at the time of its publication, and may not reflect the product in the future. The illustrations in this manual are not intended for safe and proper assembly or disassembly of equipment. The illustrations are intended for ordering parts only.

Land Pride is registered trademark.

All other brands and product names are trademarks or registered trademarks of their respective holders.

*Printed in the United States of America.*



# Alphabetized Table of Contents

---

## PS20 SERIES

### B

|                                       |    |
|---------------------------------------|----|
| Box Assembly S/N 397502-.....         | 14 |
| Box Assembly S/N 397503 to _____..... | 16 |
| Box Assembly S/N _____+.....          | 12 |
| Box To Frame To SMV Assembly.....     | 18 |

### D

|                     |    |
|---------------------|----|
| Drive Assembly..... | 28 |
|---------------------|----|

### F

|                                   |   |
|-----------------------------------|---|
| Front Roller And Lower Hitch..... | 6 |
|-----------------------------------|---|

### H

|                                  |    |
|----------------------------------|----|
| Hydraulic Arrangement.....       | 52 |
| Hydraulic Cylinder 810-001C..... | 54 |

### L

|                               |    |
|-------------------------------|----|
| Label Placement (Part 1)..... | 30 |
| Label Placement (Part 2)..... | 56 |

### R

|                  |   |
|------------------|---|
| Rear Roller..... | 8 |
|------------------|---|

### S

|   |    |
|---|----|
| Seed Cup Assembly S/N 397502-.....                            | 20 |
| Seed Cup Assembly S/N 397503+.....                            | 22 |
| Seed Rate Adjustment Handle S/N 397503+.....                  | 24 |
| Seed Rate Handle Assembly S/N 397502-.....                    | 26 |
| Small Grass Seed Box Assembly S/N 397503+.....                | 32 |
| Small Grass Seed Box To Main Box Assemble S/N<br>397503+..... | 34 |
| Small Grass Seed Box To Main Box Assembly S/N<br>397502-..... | 36 |
| Small Grass Seed Cup And Box Assembly S/N<br>397502-.....     | 38 |
| Small Grass Seed Drive S/N 397502-.....                       | 40 |
| Small Grass Seed Drive S/N 397503+.....                       | 42 |
| Small Grass Seed Label Placement S/N 397502-.....             | 44 |
| Small Grass Seed Label Placement S/N 397503+.....             | 46 |
| Small Grass Seed Seed Rate Handle S/N 397502-.....            | 48 |
| Small Grass Seed Seed Rate Handle S/N 397503+.....            | 50 |

### T

|                      |    |
|----------------------|----|
| Track Removers.....  | 10 |
| Transport Axle.....  | 58 |
| Transport Frame..... | 60 |

# General Information

## Using This Manual

This manual is divided into sections. The first section contains General Information. The remaining sections divide the machine into segments (i.e. Frames, Drives, Hydraulics, etc.) which illustrate and list all parts. A Parts Number Index is located at the back of the book.

The Land Pride parts in this manual are specially designed for this machine and should be replaced with Land Pride parts only.

The information in this manual is current at time of printing. Some parts may change to assure top performance.

Right-hand and left-hand as used in this manual are determined by facing the direction the machine will travel while in use.

Below is an example of two facing pages from a parts manual. Familiarize yourself with the type of information contained on these pages.

## Manual Replacement Information

Replacement manuals are available. Refer to our website at [www.landpride.com](http://www.landpride.com), the Land Pride Support Center CD or e-mail us at [lit@landpride.com](mailto:lit@landpride.com) for additional information. Our website continues to provide the most up-to-date manuals available.

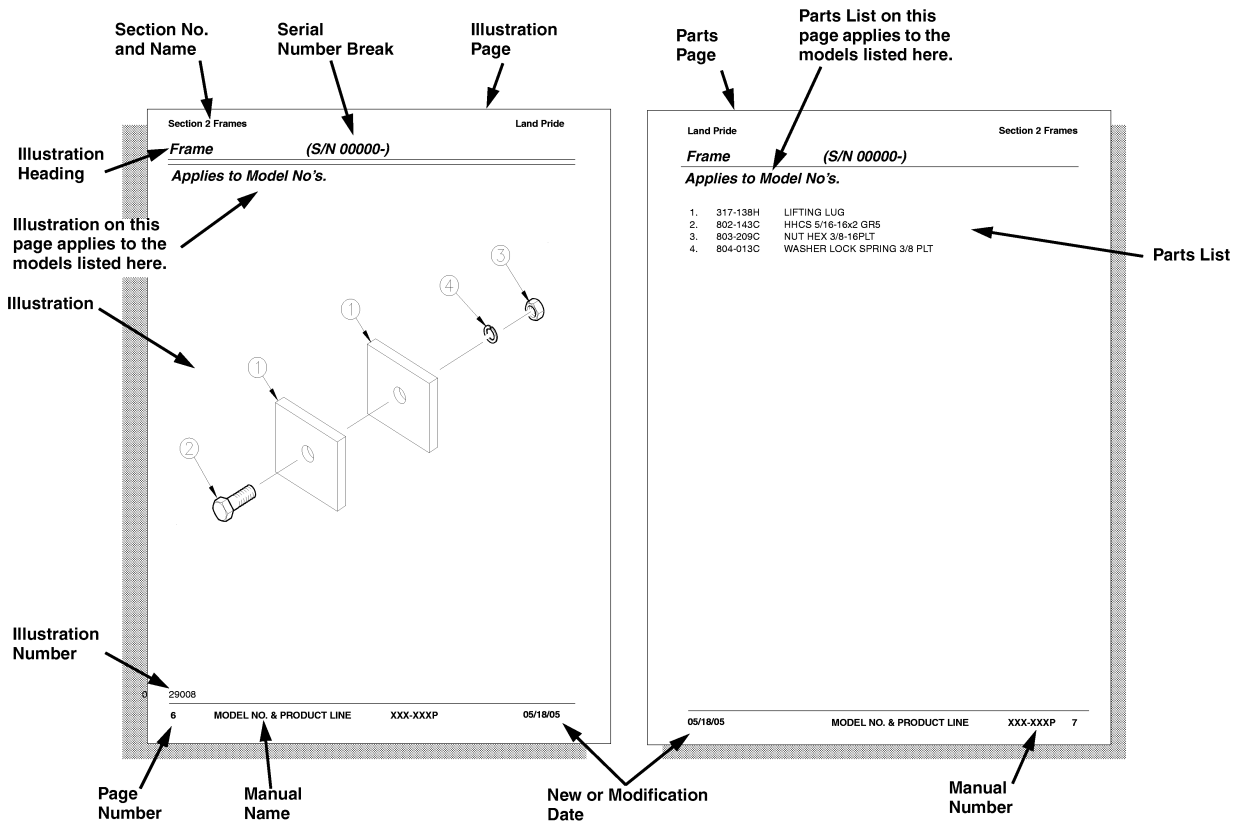
## Touch-up Paint

Repaint parts where paint is worn or scratched to prevent rust. Aerosol cans and touch-up bottles with brush applicator are available through your local dealer. Land Pride color descriptions and part numbers are listed below. Also available are quart and gallon size paints. Add QT or GL to end of the Aerosol P/N.

| Color                     | Product <sup>1</sup> | Aerosol  | Touch-Up   |
|---------------------------|----------------------|----------|------------|
| Gloss Black               | LP                   | 821-032C | 821-032CTU |
| Medium Gloss Black        | UV                   | 821-053C | 821-053CTU |
| Beige                     | LP                   | 821-011C | 821-011CTU |
| Green                     | SLP                  | 821-058C | 821-058CTU |
| Orange                    | SLP                  | 821-066C | 821-066CTU |
| Red                       | SLP/UV               | 821-054C | 821-054CTU |
| Blue                      | SLP/UV               | 821-067C | 821-067CTU |
| Dark Green Sparkle        | UV                   | 821-055C | 821-055CTU |
| Gondo Forest Green        | UV                   | 821-057C | 821-057CTU |
| Brite Yellow <sup>2</sup> | UV                   | 821-056C | 821-056CTU |
| Gondo Yellow <sup>3</sup> | UV                   | 821-059C | 821-059CTU |

Notes:

- 1 LP = All Land Pride Products except Utility Vehicles  
SLP = Select Land Pride Products that are available in optional Green, Orange, Red, & Blue colors.  
UV = Utility Vehicles
- 2 Used on Trekers and (Runabouts with S/N 407628-)
- 3 Used on Gondos and (Runabouts with S/N 407629+)



# General Information

## Hardware Legend

|                 |  |
|-----------------|--|
| <b>AR</b>       | As Required                                      |
| <b>BLADE</b>    | Blade Bolt                                       |
| <b>C</b>        | Cap Screw  |
| <b>CP</b>       | Cotter Pin                                       |
| <b>CPHSSS</b>   | Cup Point Hex Socket Set Screw                   |
| <b>CPSHSS</b>   | Cup Point Square Head Set Screw                  |
| <b>CPSQHSS</b>  | Cup Point Square Head Set Screw                  |
| <b>CRFCHMS3</b> | Cross Recess Flat Countersunk Head Machine Screw |
| <b>CRPHMS</b>   | Cross Recess Pan Head Machine Screw              |
| <b>CRPHTF</b>   | Cross Recess Pan Head Thread Forming             |
| <b>CRRHMS</b>   | Cross Recess Round Head Machine Screw            |
| <b>CRTHMS</b>   | Cross Recess Truss Head Machine Screw            |
| <b>CSNB</b>     | Countersunk Square Neck Bolt                     |
| <b>FHMS</b>     | Flat Head Machine Screw                          |
| <b>FTC</b>      | Full Thread Cap Screw                            |
| <b>H</b>        | Hex Nut  |
| <b>HCLN</b>     | Hex Center Lock Nut                              |
| <b>HFLCS</b>    | Hex Flange Lock Cap Screw                        |
| <b>HFS</b>      | Hex Flange Screw                                 |
| <b>HFSLN</b>    | Hex Flange Serrated Lock Nut                     |
| <b>HFSS</b>     | Hex Flange Serrated Screw                        |
| <b>HHCS</b>     | Hex Head Cap Screw or Metric Bolt                |
| <b>HSBHCS</b>   | Hex Socket Button Head Cap Screw                 |
| <b>HSFCHCS</b>  | Hex Socket Flat Countersunk Head Cap Screw       |
| <b>HSHCS</b>    | Hex Socket Head Cap Screw                        |
| <b>HSSS</b>     | Hex Socket Head Screw                            |
| <b>HTLN</b>     | Hex Top Lock Nut                                 |
| <b>HWHCS</b>    | Hex Washer Head Cap Screw                        |

|                       |   |
|-----------------------|---|
| <b>HWHMS</b>          | Hex Washer Head Machine Screw               |
| <b>HXBHCS</b>         | Hex Socket Button Head Cap Screw            |
| <b>J</b>              | Hex Jam Nut                                 |
| <b>JIC</b>            | 37 Degree Tapered Thread                    |
| <b>L</b>              | Helical Spring Lock Washer                  |
| <b>LUG</b>            | Lug Bolt                                    |
| <b>NFC</b>            | National Fine Cap Screw                     |
| <b>NPSM</b>           | National Pipe Straight Mechanical           |
| <b>NPTF</b>           | National Pipe Taper Fuel                    |
| <b>P</b>              | Wide Plain Washer                           |
| <b>PHMS</b>           | Pan Head Machine Screw                      |
| <b>PLOW</b>           | Plow Bolt                                   |
| <b>RHMS</b>           | Round Head Machine Screw                    |
| <b>RHSNB</b>          | Round Head Square Neck Bolt                 |
| <b>SCREW LEVELING</b> | Leveling Screw                              |
| <b>SCREW THUMB</b>    | Thumb Screw                                 |
| <b>SCREW WELD</b>     | Weld Screw                                  |
| <b>SFCHMS</b>         | Slotted Flat Countersunk Head Machine Screw |
| <b>SFHMS</b>          | Slotted Fillister Head Machine Screw        |
| <b>SP</b>             | Special                                     |
| <b>SP SCREW</b>       | Special Screw                               |
| <b>SQHSS</b>          | Square Head Set Screw                       |
| <b>SRHMS</b>          | Slotted Round Head Machine Screw            |
| <b>SSS</b>            | Socket Set Screw                            |
| <b>STCS</b>           | Self Tapping Cap Screw                      |
| <b>STHMS</b>          | Slotted Truss Head Machine Screw            |
| <b>WHEEL</b>          | Wheel Studs and Hub Long Bolts              |
| <b>WING</b>           | Wing Bolt                                   |

## Replacement Hardware

The **Hardware Legend** above lists hardware abbreviations used in the parts list. All bolts and nuts are Grade 5 unless otherwise noted. The use of improper grades of hardware can result in personal injury, damage to equipment, or loss of property.

## Colored Replacement Parts

Land Pride offers replacement parts in factory standard colors and also on select models in Green, Orange, Red and Blue. Because of the variety of colors available, special attention must be given to the part number to prevent ordering the wrong replacement part.

A suffix number corresponding to one of the colors below must be added at the end of Land Pride's part number when ordering a replacement part with that color.

- |                                   |                                 |
|-----------------------------------|---------------------------------|
| <b>81</b> . . . . . <b>Green</b>  | <b>83</b> . . . . . <b>Red</b>  |
| <b>82</b> . . . . . <b>Orange</b> | <b>84</b> . . . . . <b>Blue</b> |

For example, if you are ordering a replacement part with part number 555-555C and the part you need is red, then add the suffix 83 to the end of the number to make the part number read 555-555C83. Parts ordered without a suffix number will be supplied in factory standard colors.

## Black Replacement Parts

Some parts are factory standard black and some must be special ordered black. If your part is special ordered black, a second part number with the additional suffix number 85 on the end will be available. In this situation you must order that part with the suffix number for it to be black. Parts that are factory standard black will not have the suffix number.

## Part Number Service Coding

Within the parts list some part numbers are coded for revisions and interchangeability. See notations in revision column.

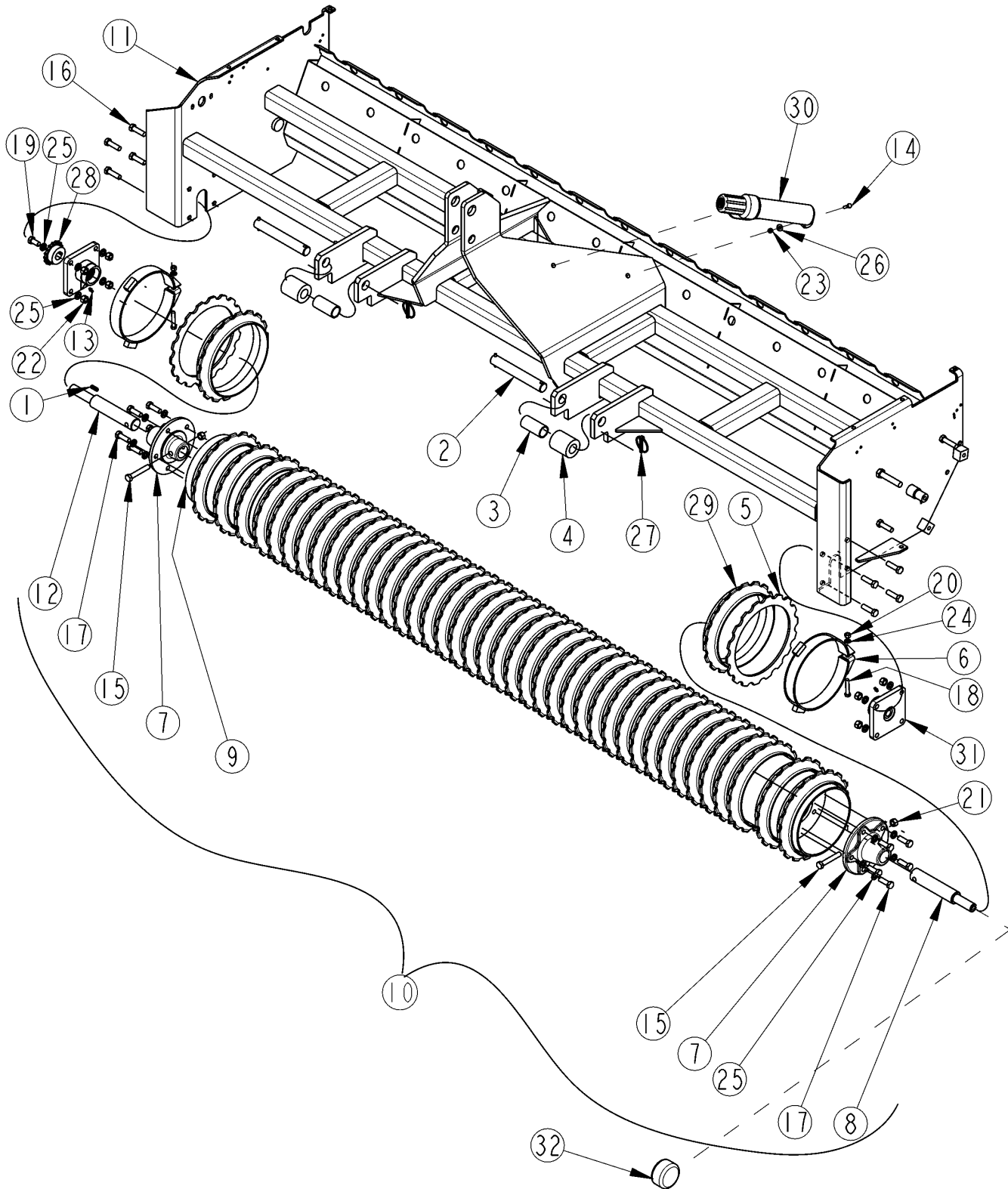
## Serial Numbers

Always use the serial and model number when ordering parts. Refer to the Operator's Manual for serial number plate location.

- |                      |  |
|----------------------|--|
| (S/N 20001+)         | Includes serial numbers 20001 and above (to the latest number)   |
| (S/N 10001 to 20000) | Includes serial numbers between and including 10001 and 20000    |
| (S/N 10000-)         | Includes serial numbers 10000 and below (to the earliest number) |

## Front Roller And Lower Hitch

Applies to PS2096



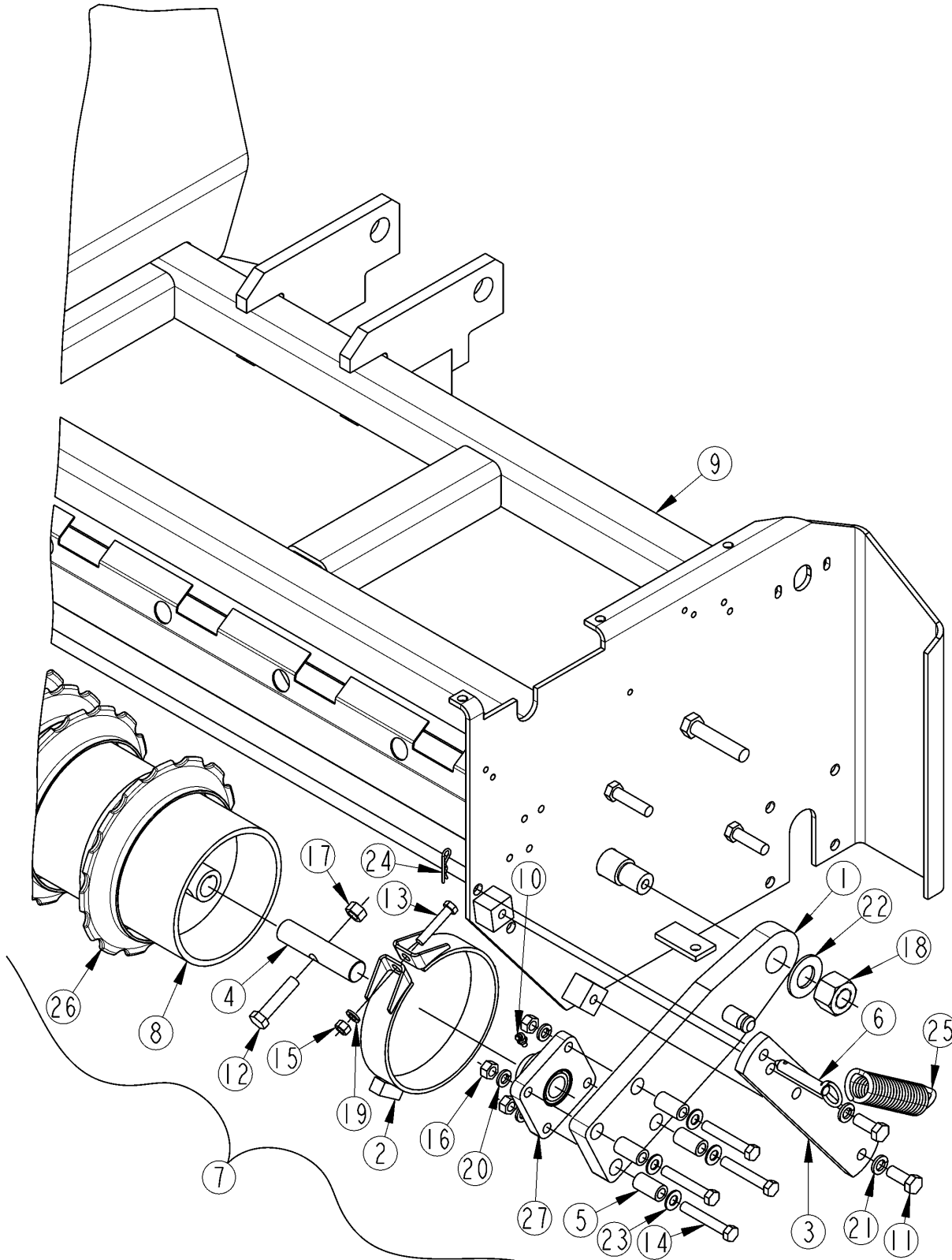
20746

**Front Roller And Lower Hitch****Applies to PS2096**

| <b>Ref</b> | <b>Part No.</b> | <b>Part Description</b>        | <b>Comments</b>        | <b>Revision</b> |
|------------|-----------------|--------------------------------|------------------------|-----------------|
|            | dwg20746        | Drawing Image Number           |                        |                 |
| 1.         | 123-004D        | KEY 1/4 X 1                    |                        |                 |
| 2.         | 300-202S        | PIN 1 1/8 OD X 7 1/8 USABLE    |                        |                 |
| 3.         | 300-429D        | CAT III BUSHING                |                        |                 |
| 4.         | 300-431D        | TUBE RD 2 1/4ODX1 5/32IDX2 5/8 |                        |                 |
| 5.         | 308-360D        | 12 ROLLER SPACER 1/4           |                        |                 |
| 6.         | 313-006H        | FRONT ROLLER CLAMP             |                        |                 |
| 7.         | 313-018D        | FRONT ROLLER HUB               |                        |                 |
| 8.         | 313-168D        | DRIVE SHAFT PS25120            |                        |                 |
| 9.         | 313-253H        | PS2096 FRONT ROLLER WELD       |                        |                 |
| 10.        | 313-254S        | PS2096 FRONT ROLLER ASSY       |                        |                 |
| 11.        | 313-315H        | PS2096 FRAME WELD              |                        |                 |
| 12.        | 313-556D        | PSN20 DRIVE SHAFT ROLLER       |                        |                 |
| 13.        | 800-001C        | GREASE ZERK STRAIGHT 1/4-28    |                        |                 |
| 14.        | 802-005C        | HHCS 1/4-20X1 GR5              |                        |                 |
| 15.        | 802-039C        | HHCS 1/2-13X3 GR5              |                        |                 |
| 16.        | 802-082C        | HHCS 1/2-13X1 3/4 GR5          |                        |                 |
| 17.        | 802-091C        | HHCS 1/2-13X1 1/2 GR5          |                        |                 |
| 18.        | 802-143C        | HHCS 3/8-16X2 GR5              |                        |                 |
| 19.        | 802-240C        | HHCS 1/2-20X1 GR5              |                        |                 |
| 20.        | 803-014C        | NUT HEX 3/8-16 PLT             |                        |                 |
| 21.        | 803-019C        | NUT LOCK 1/2-13 PLT            |                        |                 |
| 22.        | 803-020C        | NUT HEX 1/2-13 PLT             |                        |                 |
| 23.        | 803-255C        | NUT HEX NYLOCK 1/4-20          |                        |                 |
| 24.        | 804-013C        | WASHER LOCK SPRING 3/8 PLT     |                        |                 |
| 25.        | 804-015C        | WASHER LOCK SPRING 1/2 PLT     |                        |                 |
| 26.        | 804-075C        | WASHER FLAT 1/4 USS PLT        |                        |                 |
| 27.        | 805-015C        | PIN LINCH 5/16 X 1 3/4         |                        |                 |
| 28.        | 808-159C        | SPKT 40B17 X 1 BORE W/KW & SS  |                        |                 |
| 29.        | 812-056C        | ROLLER WHEEL 12                |                        |                 |
| 30.        | 816-504C        | MANUAL STORAGE CONTAINER       |                        |                 |
| 31.        | 822-004C        | BRG FLG 1.50ID 4BLT LOCK       |                        |                 |
| 32.        | 890-789C        | ACREMEETER PS/PSN2096 1640 REV | Not Standard Equipment |                 |

# Rear Roller

Applies to PS2096



20748

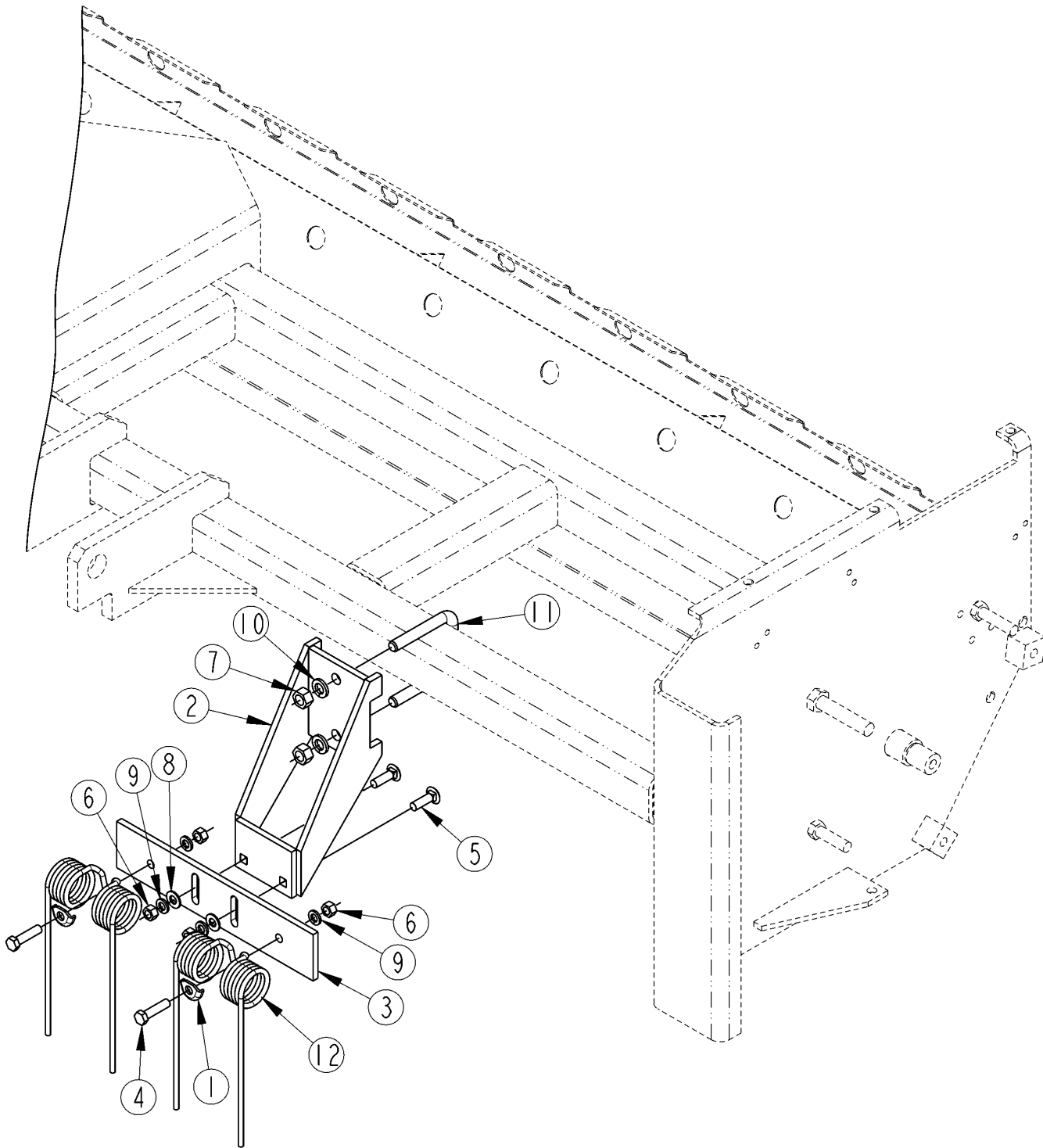


**Rear Roller****Applies to PS2096**

| <b>Ref</b> | <b>Part No.</b> | <b>Part Description</b>        | <b>Comments</b> | <b>Revision</b> |
|------------|-----------------|--------------------------------|-----------------|-----------------|
|            | dwg20748        | Drawing Image Number           |                 |                 |
| 1.         | 313-009H        | PIVOT ARM REAR ROLLER          |                 |                 |
| 2.         | 313-014H        | REAR ROLLER CLAMP              |                 |                 |
| 3.         | 313-015D        | PIVOT ARM SIDE BAR             |                 |                 |
| 4.         | 313-035D        | REAR ROLLER SHAFT              |                 |                 |
| 5.         | 313-050D        | ROLLER BRG SPACER TUBE         |                 |                 |
| 6.         | 313-063S        | REAR ROLLER LOCK PIN ASSY      |                 |                 |
| 7.         | 313-255S        | PS2096 REAR ROLLER ASSY        |                 |                 |
| 8.         | 313-256H        | PS2096 REAR ROLLER WELD        |                 |                 |
| 9.         | 313-315H        | PS2096 FRAME WELD              |                 |                 |
| 10.        | 800-316C        | GREASE ZERK 1/4-28 X 45-DEG LG |                 |                 |
| 11.        | 802-022C        | HHCS 3/8-16X1 1/2 GR5          |                 |                 |
| 12.        | 802-034C        | HHCS 1/2-13X1 1/4 GR5          |                 |                 |
| 13.        | 802-038C        | HHCS 1/2-13X2 1/4 GR5          |                 |                 |
| 14.        | 802-315C        | HHCS 7/16-14X2 3/4 GR5         |                 |                 |
| 15.        | 803-014C        | NUT HEX 3/8-16 PLT             |                 |                 |
| 16.        | 803-015C        | NUT HEX 7/16-14 PLT            |                 |                 |
| 17.        | 803-019C        | NUT LOCK 1/2-13 PLT            |                 |                 |
| 18.        | 803-038C        | NUT HEX 1-8 NYLON INSERT PLT   |                 |                 |
| 19.        | 804-013C        | WASHER LOCK SPRING 3/8 PLT     |                 |                 |
| 20.        | 804-014C        | WASHER LOCK 7/16 PLT           |                 |                 |
| 21.        | 804-015C        | WASHER LOCK SPRING 1/2 PLT     |                 |                 |
| 22.        | 804-029C        | WASHER FLAT 1 SAE              |                 |                 |
| 23.        | 804-041C        | WASHER FLAT 7/16 SAE PLT       |                 |                 |
| 24.        | 805-010C        | PIN HAIR COTTER .094           |                 |                 |
| 25.        | 807-050C        | SPRING EXT 1 13/32 X 6 EXT     |                 |                 |
| 26.        | 812-133C        | 9 1/2 O.D. NOTCHED ROLLER      |                 |                 |
| 27.        | 822-085C        | BEARING 1 BORE X 4 BOLT        |                 |                 |

# Track Removers

Applies to PS2096



20747

## Track Removers

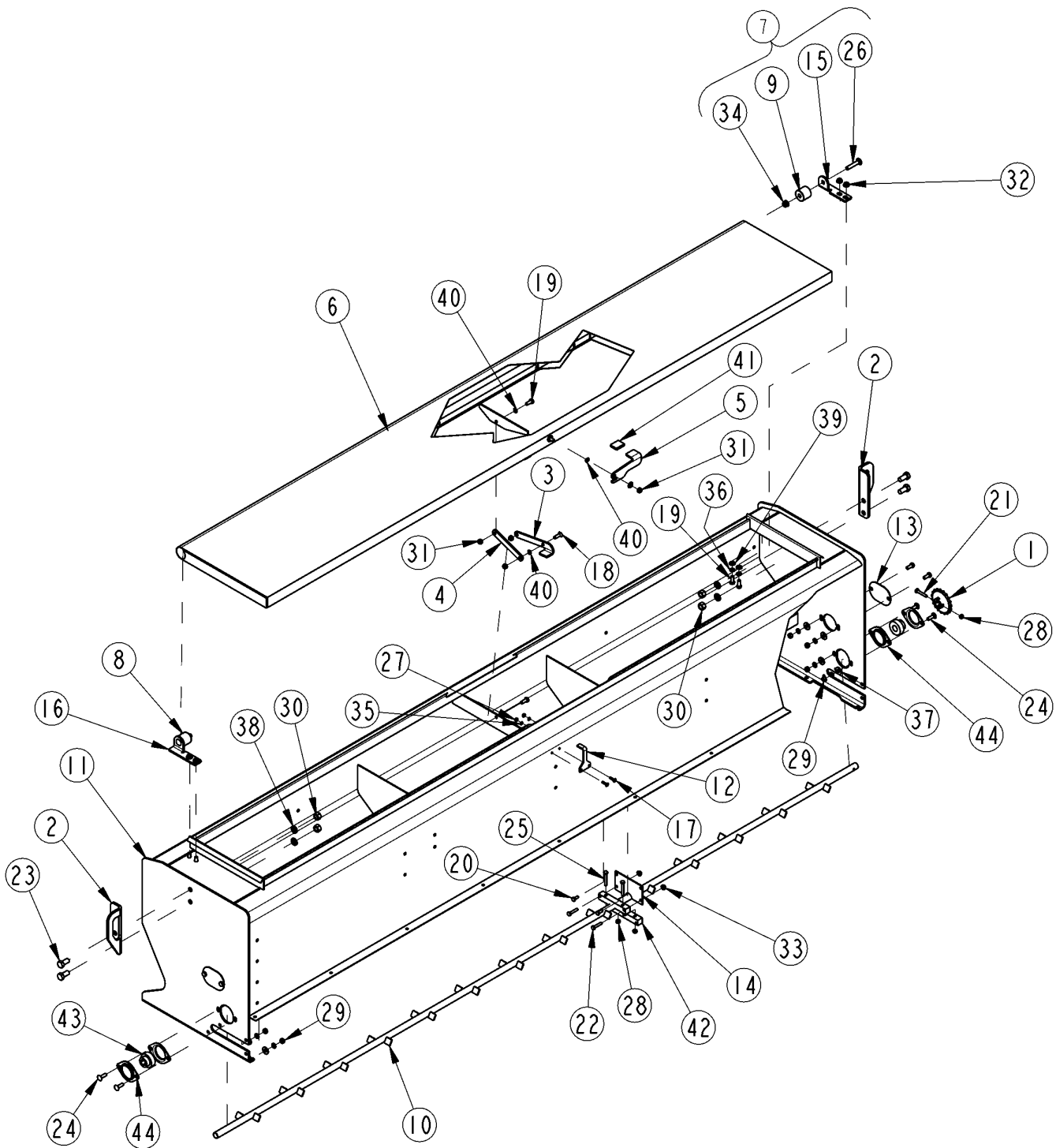
---

### Applies to PS2096

| Ref | Part No. | Part Description              | Comments | Revision |
|-----|----------|-------------------------------|----------|----------|
|     | dwg20747 | Drawing Image Number          |          |          |
|     | 313-028A | TRACK REMOVER BUNDLE<br>*     |          |          |
| 1.  | 308-180D | TINE RETAINER WASHER          |          |          |
| 2.  | 313-027H | FRAME MTG TRACK REMOVER       |          |          |
| 3.  | 313-060D | TINE MOUNTING PLATE           |          |          |
| 4.  | 802-022C | HHCS 3/8-16X1 1/2 GR5         |          |          |
| 5.  | 802-155C | RHSNB 3/8-16X1 1/4 GR5        |          |          |
| 6.  | 803-014C | NUT HEX 3/8-16 PLT            |          |          |
| 7.  | 803-020C | NUT HEX 1/2-13 PLT            |          |          |
| 8.  | 804-012C | WASHER FLAT 3/8 SAE PLT       |          |          |
| 9.  | 804-013C | WASHER LOCK SPRING 3/8 PLT    |          |          |
| 10. | 804-015C | WASHER LOCK SPRING 1/2 PLT    |          |          |
| 11. | 806-010C | U-BOLT 1/2-13 X 2 1/2 X 3 1/2 |          |          |
| 12. | 807-044C | DOUBLE TORSION SPRING         |          |          |

**Box Assembly S/N \_\_\_\_\_ +**

**Applies to PS2096**



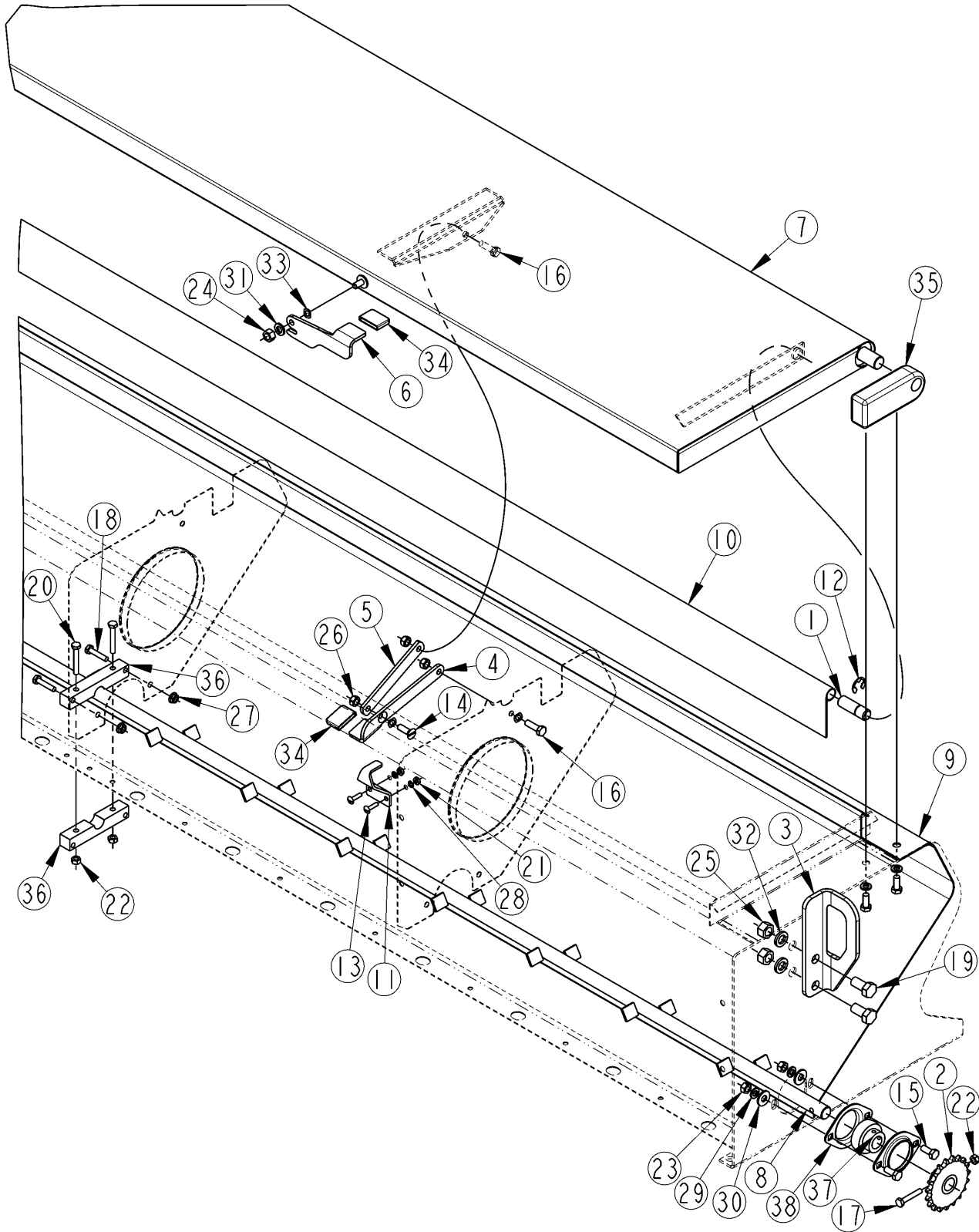
25987

**Box Assembly S/N \_\_\_\_\_ +****Applies to PS2096**

| Ref | Part No. | Part Description               | Comments | Revision |
|-----|----------|--------------------------------|----------|----------|
|     | dwg25987 | Drawing Image Number           |          |          |
| 1.  | 202-002H | 19T SPEED CHANGE SPROCKET      |          |          |
| 2.  | 308-193D | OS/PS SLING BKT                |          |          |
| 3.  | 308-392D | LID LATCH - LOWER ARM          |          |          |
| 4.  | 308-393D | LID LATCH - UPPER ARM          |          |          |
| 5.  | 308-394D | LID LATCH - HANDLE             |          |          |
| 6.  | 313-019H | LID WELDMENT, 96"              |          |          |
| 7.  | 313-024S | PS LID HINGE ASSEMBLY RH       |          |          |
| 8.  | 313-104S | PS LID HINGE ASSEMBLY LH       |          |          |
| 9.  | 313-186D | LID HINGE PIVOT                |          |          |
| 10. | 313-252H | PS2096 AGITATOR WELDMENT       |          |          |
| 11. | 313-341H | PS(N)2096 SEEDBX BOLTON        |          |          |
| 12. | 313-475D | NG LID LATCH STRIKE            |          |          |
| 13. | 313-643D | PS20 BOX END PLT COVER         |          |          |
| 14. | 313-645D | BRACKET AGITATOR               |          |          |
| 15. | 313-672D | PSN2096 LID HINGE RH           |          |          |
| 16. | 313-673D | PSN2096 LID HINGE LH           |          |          |
| 17. | 801-021C | SCREW RD HD 10-24 X 3/4 PLT    |          |          |
| 18. | 801-024C | SCREW 5/16-18X82DEG CNTSKX1P   |          |          |
| 19. | 802-007C | HHCS 5/16-18X3/4 GR5           |          |          |
| 20. | 802-078C | HHCS 1/4-20X5/8 GR5            |          |          |
| 21. | 802-167C | HHCS 1/4-20X1 1/2 GR5          |          |          |
| 22. | 802-224C | HHCS 1/4-20X1 1/4 GR5          |          |          |
| 23. | 802-258C | HHCS 1/2-13X1 GR5              |          |          |
| 24. | 802-282C | RHSNB 5/16-18X1 GR5            |          |          |
| 25. | 802-370C | HHCS 1/4-20X1 3/4 GR5          |          |          |
| 26. | 802-411C | RHSNB 3/8-16X2 GR5             |          |          |
| 27. | 803-001C | NUT HEX 10-24 PLT              |          |          |
| 28. | 803-007C | NUT LOCK 1/4-20 PLT            |          |          |
| 29. | 803-008C | NUT HEX 5/16-18 PLT            |          |          |
| 30. | 803-020C | NUT HEX 1/2-13 PLT             |          |          |
| 31. | 803-084C | NUT HEX NYLOCK 5/16-18 PLT     |          |          |
| 32. | 803-177C | NUT HEX FLG TP LK 5/16-18ZNYCR |          |          |
| 33. | 803-194C | NUT HEX WHIZ 1/4-20 PLT        |          |          |
| 34. | 803-209C | NUT FLANGE LOCK 3/8-16 PLT     |          |          |
| 35. | 804-004C | WASHER INTERNAL STAR #10 PLT   |          |          |
| 36. | 804-009C | WASHER LOCK SPRING 5/16 PLT    |          |          |
| 37. | 804-010C | WASHER FLAT 5/16 USS PLT       |          |          |
| 38. | 804-015C | WASHER LOCK SPRING 1/2 PLT     |          |          |
| 39. | 804-036C | WASHER FLAT 5/16 SAE PLT       |          |          |
| 40. | 804-056C | WASHER WAVE SPRING 5/16        |          |          |
| 41. | 817-033C | LID LATCH GRIP                 |          |          |
| 42. | 817-467C | SUPPORT AGITATOR SHFT PS20 CNT |          |          |
| 43. | 822-040C | BRG INS .75IDX1.85OD SPH LCK   |          |          |
| 44. | 822-041C | FLANGETTE 47 MST               |          |          |

**Box Assembly S/N 397502-**

Applies to PS2096



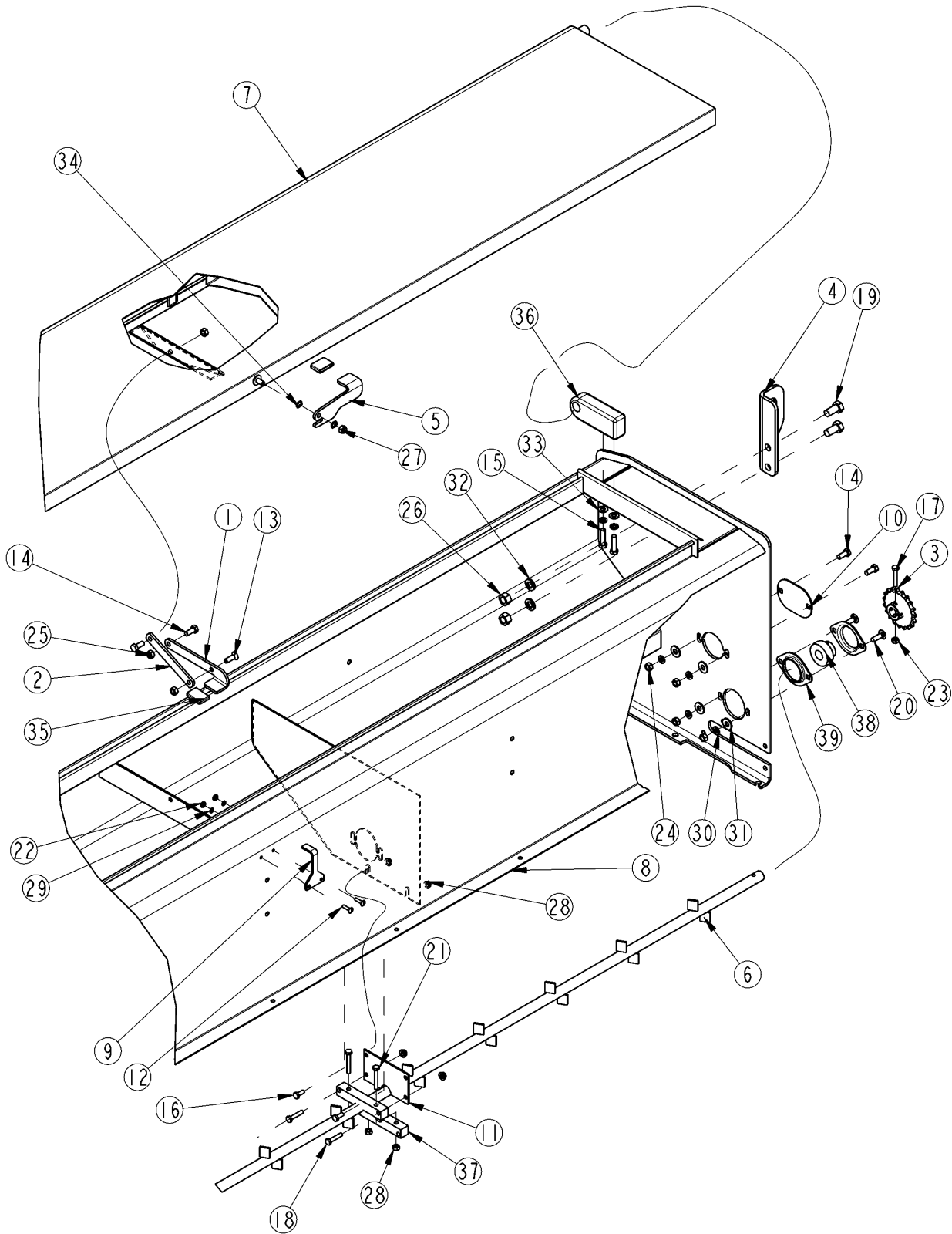
20749

**Box Assembly S/N 397502-****Applies to PS2096**

| <b>Ref</b> | <b>Part No.</b> | <b>Part Description</b>        | <b>Comments</b> | <b>Revision</b> |
|------------|-----------------|--------------------------------|-----------------|-----------------|
|            | dwg20749        | Drawing Image Number           |                 |                 |
| 1.         | 179-025D        | SEED DIVERTER PIN              |                 |                 |
| 2.         | 202-002H        | 19T SPEED CHANGE SPROCKET      |                 |                 |
| 3.         | 308-193D        | OVERSEEDER/PRIMARY SLING BRKT  |                 |                 |
| 4.         | 308-392D        | OS48/72 LID LATCH - LOWER ARM  |                 |                 |
| 5.         | 308-393D        | OS48/72 LID LATCH - UPPER ARM  |                 |                 |
| 6.         | 308-394D        | OS48/72 LID LATCH - HANDLE     |                 |                 |
| 7.         | 313-251H        | PS2096 LID WELDMENT            |                 |                 |
| 8.         | 313-252H        | PS2096 AGITATOR WELDMENT       |                 |                 |
| 9.         | 313-307H        | PS2096 SEED BOX WELD           |                 |                 |
| 10.        | 313-441D        | PS2096 SEED DIVERTER           |                 |                 |
| 11.        | 313-542D        | PS2096 LID LATCH STRIKE        |                 |                 |
| 12.        | 800-048C        | SNAP RING EXT E 5/8            |                 |                 |
| 13.        | 801-021C        | SCREW RD HD 10-24 X 3/4 PLT    |                 |                 |
| 14.        | 801-024C        | SCREW 5/16-18X82DEG CNTSKX1P   |                 |                 |
| 15.        | 802-007C        | HHCS 5/16-18X3/4 GR5           |                 |                 |
| 16.        | 802-159C        | HHCS 5/16-18X1 GR5             |                 |                 |
| 17.        | 802-167C        | HHCS 1/4-20X1 1/2 GR5          |                 |                 |
| 18.        | 802-224C        | HHCS 1/4-20X1 1/4 GR5          |                 |                 |
| 19.        | 802-258C        | HHCS 1/2-13X1 GR5              |                 |                 |
| 20.        | 802-370C        | HHCS 1/4-20X1 3/4 GR5          |                 |                 |
| 21.        | 803-001C        | NUT HEX 10-24 PLT              |                 |                 |
| 22.        | 803-007C        | NUT LOCK 1/4-20 PLT            |                 |                 |
| 23.        | 803-008C        | NUT HEX 5/16-18 PLT            |                 |                 |
| 24.        | 803-014C        | NUT HEX 3/8-16 PLT             |                 |                 |
| 25.        | 803-020C        | NUT HEX 1/2-13 PLT             |                 |                 |
| 26.        | 803-084C        | NUT HEX NYLOCK 5/16-18 PLT     |                 |                 |
| 27.        | 803-194C        | NUT HEX WHIZ 1/4-20 PLT        |                 |                 |
| 28.        | 804-004C        | WASHER INTERNAL STAR #10 PLT   |                 |                 |
| 29.        | 804-009C        | WASHER LOCK SPRING 5/16 PLT    |                 |                 |
| 30.        | 804-010C        | WASHER FLAT 5/16 USS PLT       |                 |                 |
| 31.        | 804-013C        | WASHER LOCK SPRING 3/8 PLT     |                 |                 |
| 32.        | 804-015C        | WASHER LOCK SPRING 1/2 PLT     |                 |                 |
| 33.        | 804-056C        | WASHER WAVE SPRING 5/16        |                 |                 |
| 34.        | 817-033C        | LID LATCH GRIP                 |                 |                 |
| 35.        | 817-443C        | PLASTIC LID HINGE              |                 |                 |
| 36.        | 817-467C        | PS20 CEN AGIATOR BRG.          |                 |                 |
| 37.        | 822-040C        | BEARING 3/4BORE 47MM SPHERE OD |                 |                 |
| 38.        | 822-041C        | FLANGETTE 47 MST               |                 |                 |

**Box Assembly S/N 397503 to \_\_\_\_\_**

Applies to PS2096



21296

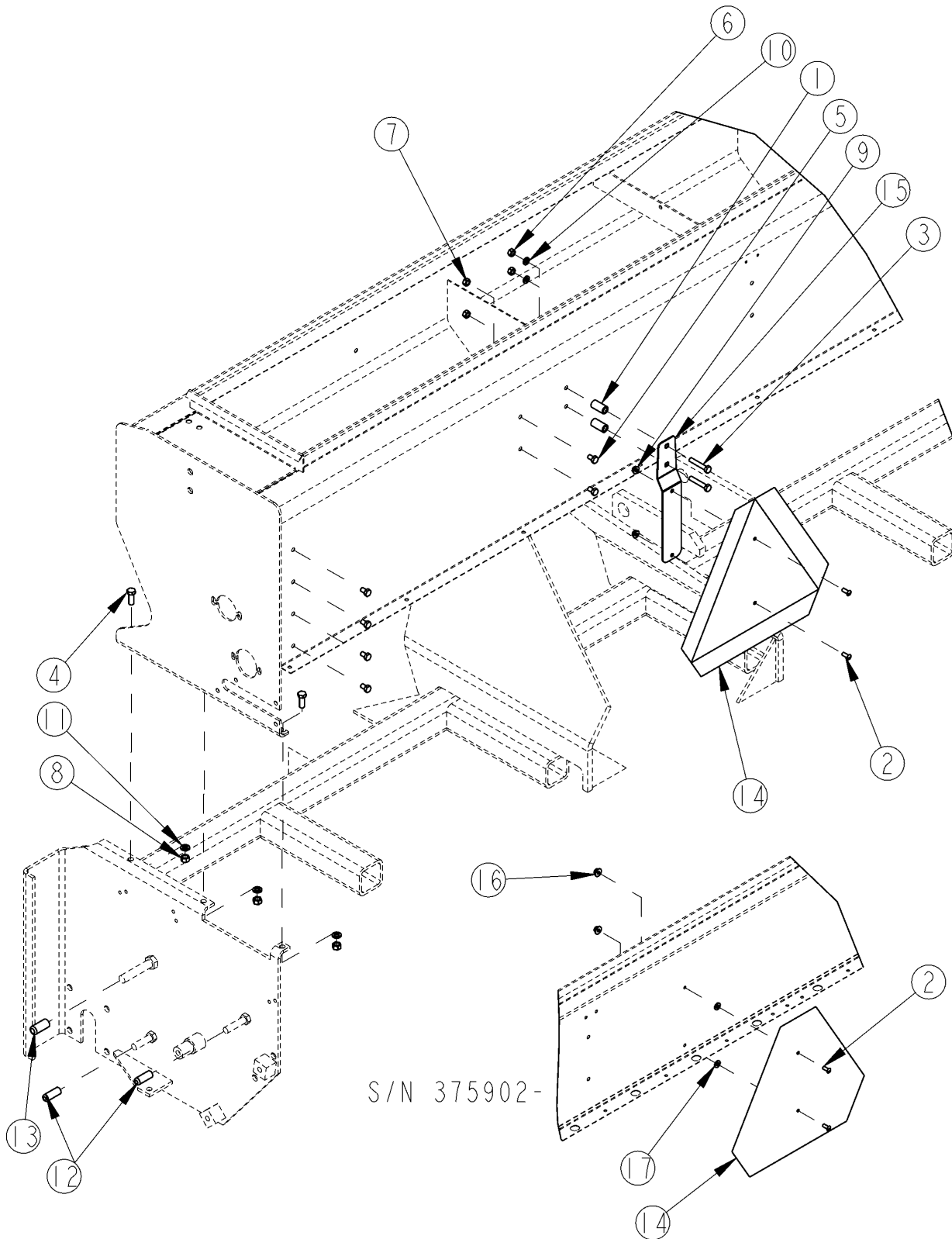


**Box Assembly S/N 397503 to \_\_\_\_\_****Applies to PS2096**

| Ref | Part No. | Part Description               | Comments | Revision |
|-----|----------|--------------------------------|----------|----------|
|     | dwg21296 | Drawing Image Number           |          |          |
| 1.  | 179-021D | LID LATCH - LOWER ARM          |          |          |
| 2.  | 179-022D | LID LATCH - UPPER ARM          |          |          |
| 3.  | 202-002H | 19T SPEED CHANGE SPROCKET      |          |          |
| 4.  | 308-193D | OVERSEEDER/PRIMARY SLING BRKT  |          |          |
| 5.  | 308-394D | OS48/72 LID LATCH - HANDLE     |          |          |
| 6.  | 313-252H | PS2096 AGITATOR WELDMENT       |          |          |
| 7.  | 313-280H | PSN2096 NG BOX LID WELD        |          |          |
| 8.  | 313-341H | PSN/PS2096 SEED BOX BOLTON     |          |          |
| 9.  | 313-475D | NG LID LATCH STRIKE            |          |          |
| 10. | 313-643D | PS20 BOX END PLT COVER         |          |          |
| 11. | 313-645D | PS20 AGIATOR BRG BRKT          |          |          |
| 12. | 801-021C | SCREW RD HD 10-24 X 3/4 PLT    |          |          |
| 13. | 801-024C | SCREW 5/16-18X82DEG CNTSKX1P   |          |          |
| 14. | 802-007C | HHCS 5/16-18X3/4 GR5           |          |          |
| 15. | 802-010C | HHCS 5/16-18X1 1/4 GR5         |          |          |
| 16. | 802-078C | HHCS 1/4-20X5/8 GR5            |          |          |
| 17. | 802-167C | HHCS 1/4-20X1 1/2 GR5          |          |          |
| 18. | 802-224C | HHCS 1/4-20X1 1/4 GR5          |          |          |
| 19. | 802-258C | HHCS 1/2-13X1 GR5              |          |          |
| 20. | 802-282C | RHSNB 5/16-18X1 GR5            |          |          |
| 21. | 802-370C | HHCS 1/4-20X1 3/4 GR5          |          |          |
| 22. | 803-001C | NUT HEX 10-24 PLT              |          |          |
| 23. | 803-007C | NUT LOCK 1/4-20 PLT            |          |          |
| 24. | 803-008C | NUT HEX 5/16-18 PLT            |          |          |
| 25. | 803-011C | NUT LOCK 5/16-18 PLT           |          |          |
| 26. | 803-020C | NUT HEX 1/2-13 PLT             |          |          |
| 27. | 803-084C | NUT HEX NYLOCK 5/16-18 PLT     |          |          |
| 28. | 803-194C | NUT HEX WHIZ 1/4-20 PLT        |          |          |
| 29. | 804-004C | WASHER INTERNAL STAR #10 PLT   |          |          |
| 30. | 804-009C | WASHER LOCK SPRING 5/16 PLT    |          |          |
| 31. | 804-010C | WASHER FLAT 5/16 USS PLT       |          |          |
| 32. | 804-015C | WASHER LOCK SPRING 1/2 PLT     |          |          |
| 33. | 804-036C | WASHER FLAT 5/16 SAE PLT       |          |          |
| 34. | 804-056C | WASHER WAVE SPRING 5/16        |          |          |
| 35. | 817-033C | LID LATCH GRIP                 |          |          |
| 36. | 817-443C | PLASTIC LID HINGE              |          |          |
| 37. | 817-467C | PS20 CEN AGIATOR BRG.          |          |          |
| 38. | 822-040C | BEARING 3/4BORE 47MM SPHERE OD |          |          |
| 39. | 822-041C | FLANGETTE 47 MST               |          |          |

# Box To Frame To SMV Assembly

Applies to PS2096



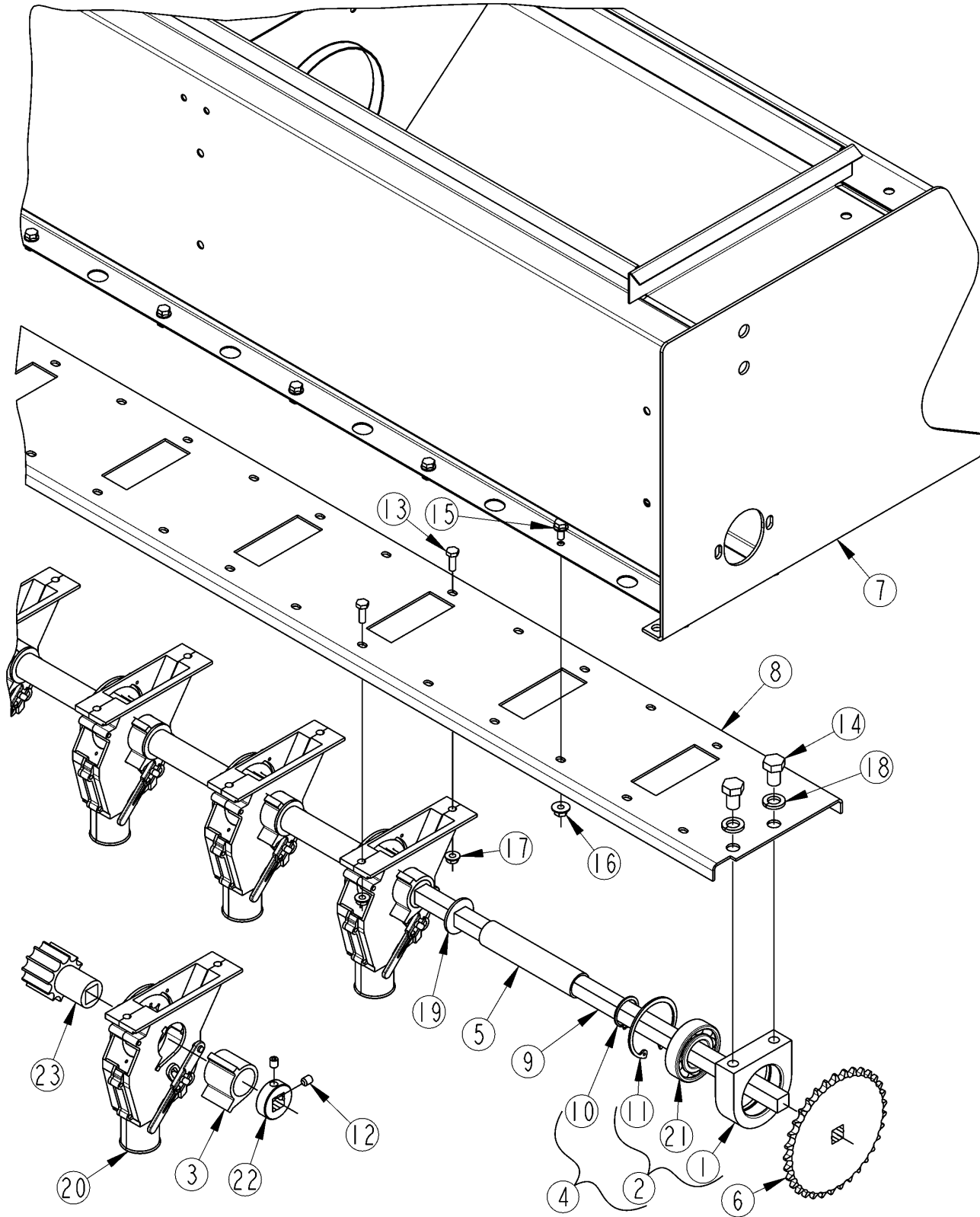
20752

**Box To Frame To SMV Assembly****Applies to PS2096**

| <b>Ref</b> | <b>Part No.</b> | <b>Part Description</b>        | <b>Comments</b> | <b>Revision</b> |
|------------|-----------------|--------------------------------|-----------------|-----------------|
|            | dwg20752        | Drawing Image Number           |                 |                 |
| 1.         | 313-269D        | SGS MOUNT SPACER               | S/N 375903+     |                 |
| 2.         | 801-018C        | SCREW RD HD 1/4-20 X 5/8       |                 |                 |
| 3.         | 802-013C        | HHCS 5/16-18X1 3/4 GR5         | S/N 375903+     |                 |
| 4.         | 802-017C        | HHCS 3/8-16X1 GR5              |                 |                 |
| 5.         | 802-630C        | HHCS 5/16-18X1/2 GR5           |                 |                 |
| 6.         | 803-008C        | NUT HEX 5/16-18 PLT            | S/N 375903+     |                 |
| 7.         | 803-011C        | NUT LOCK 5/16-18 PLT           |                 |                 |
| 8.         | 803-014C        | NUT HEX 3/8-16 PLT             |                 |                 |
| 9.         | 803-194C        | NUT HEX WHIZ 1/4-20 PLT        |                 |                 |
| 10.        | 3804-009C       | WASHER LOCK SPRING 5/16 PLT    | S/N 375903+     |                 |
| 11.        | 804-013C        | WASHER LOCK SPRING 3/8 PLT     |                 |                 |
| 12.        | 817-505C        | CAP PLUG .44ID X 1.5LG         |                 |                 |
| 13.        | 817-506C        | CAP PLUG .56ID X 1.5 LG        |                 |                 |
| 14.        | 818-055C        | DECAL SLOW MOVING-GALV. BACKED |                 |                 |
| 15.        | 890-153C        | SMV MOUNTING BLADE             | S/N 375903+     |                 |
| 16.        | 803-088C        | NUT HEX LOCK 1/4-20 FLG        | S/N 375902-     |                 |
| 17.        | 804-007C        | WASHER FLAT 1/4 SAE PLT        | S/N 375902-     |                 |

### Seed Cup Assembly S/N 397502-

Applies to PS2096



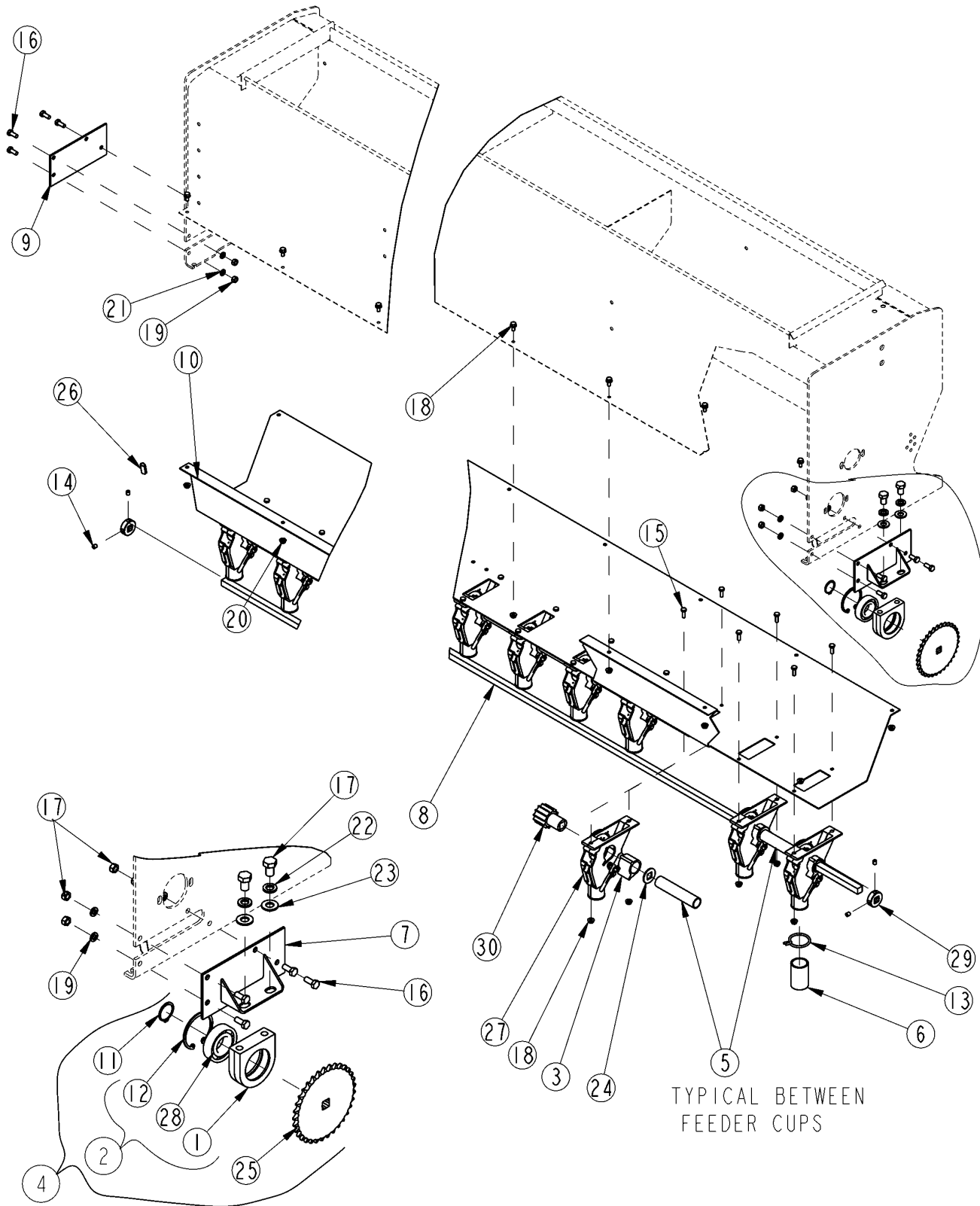
20750

**Seed Cup Assembly S/N 397502-****Applies to PS2096**

| <b>Ref</b> | <b>Part No.</b> | <b>Part Description</b>        | <b>Comments</b> | <b>Revision</b> |
|------------|-----------------|--------------------------------|-----------------|-----------------|
|            | dwg20750        | Drawing Image Number           |                 |                 |
| 1.         | 176-006D        | CUP DRIVE BRG. HOUSING         |                 |                 |
| 2.         | 176-031V        | CUP DRIVE BEARING HOUSING ASSY |                 |                 |
| 3.         | 308-022D        | CUP SLEEVE                     |                 |                 |
| 4.         | 308-036S        | 33 T DRIVE SPROCKET ASSEMBLY   |                 |                 |
| 5.         | 308-253D        | SPACER TUBE 4.991              |                 |                 |
| 6.         | 308-396D        | SPKT 40A33 X .630 SQ BORE, PLT |                 |                 |
| 7.         | 313-307H        | PS2096 SEED BOX WELD           |                 |                 |
| 8.         | 313-423D        | PS2096 FEEDERCUP CHANNEL       |                 |                 |
| 9.         | 313-425D        | FEEDERCUP SHAFT PS2096         |                 |                 |
| 10.        | 800-004C        | SNAP RING EXT BASIC 1.880      |                 |                 |
| 11.        | 800-005C        | RING FC HOUSING                |                 |                 |
| 12.        | 801-035C        | SCREW SET 5/16-18 SKT KP X 3/8 |                 |                 |
| 13.        | 802-004C        | HHCS 1/4-20X3/4 GR5            |                 |                 |
| 14.        | 802-032C        | HHCS 1/2-13X3/4 GR5            |                 |                 |
| 15.        | 802-148C        | HFSS 1/4-20X1/2 GR5            |                 |                 |
| 16.        | 803-088C        | NUT HEX LOCK 1/4-20 FLG        |                 |                 |
| 17.        | 803-194C        | NUT HEX WHIZ 1/4-20 PLT        |                 |                 |
| 18.        | 804-015C        | WASHER LOCK SPRING 1/2 PLT     |                 |                 |
| 19.        | 804-031C        | WASHER RETAINING               |                 |                 |
| 20.        | 817-094C        | SEED CUP ASSEMBLY-1 1/4        |                 |                 |
| 21.        | 822-059C        | BEARING 206PP 30MM             |                 |                 |
| 22.        | 890-350C        | 5/8 SHAFT LOCKING COLLAR       |                 |                 |
| 23.        | 890-595C        | SPROCKET SHORT POWDERED METAL  |                 |                 |

**Seed Cup Assembly S/N 397503+**

Applies to PS2096



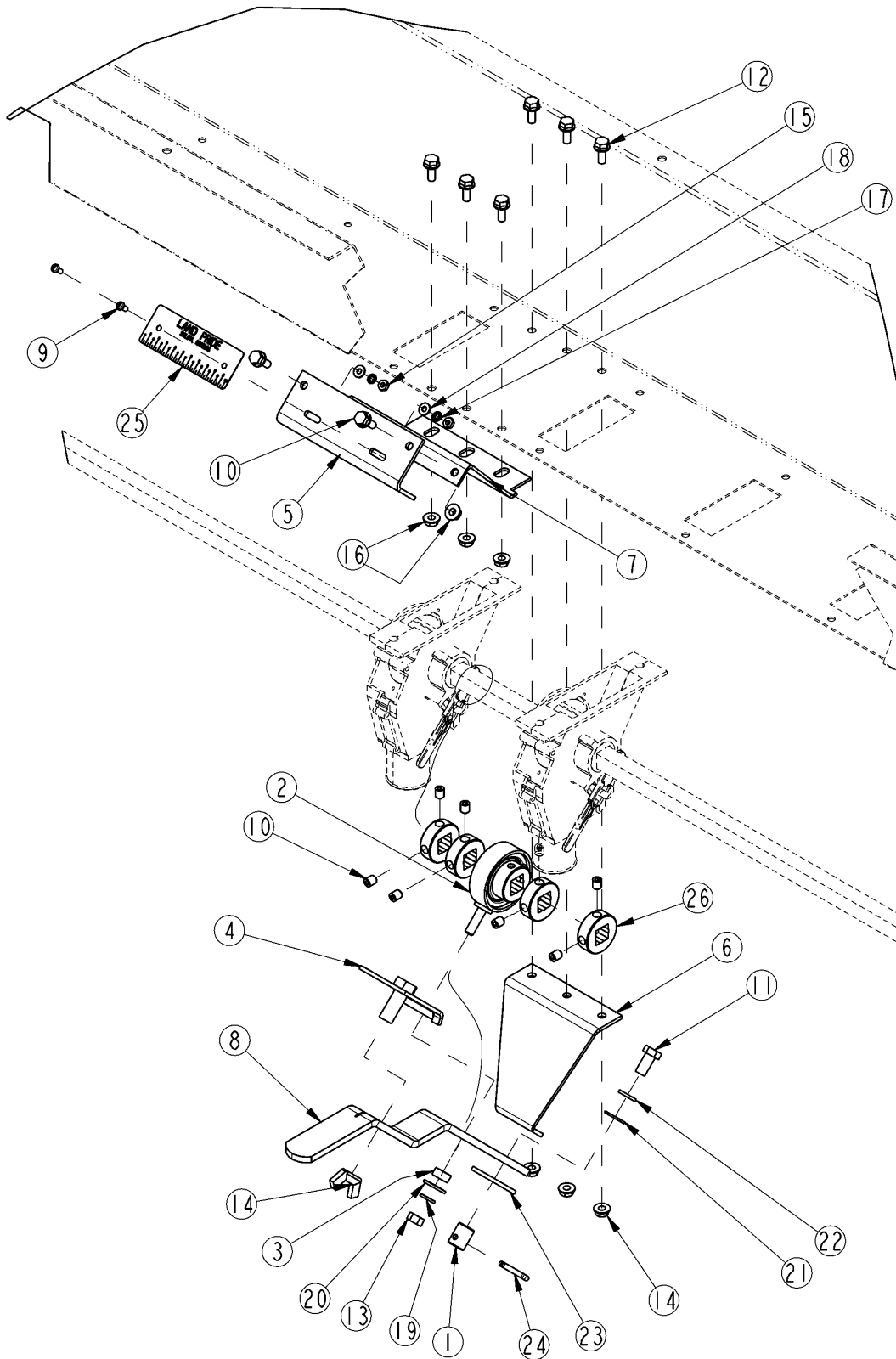
21297

**Seed Cup Assembly S/N 397503+****Applies to PS2096**

| Ref | Part No. | Part Description               | Comments    | Revision |
|-----|----------|--------------------------------|-------------|----------|
|     | dwg21297 | Drawing Image Number           |             |          |
| 1.  | 176-006D | CUP DRIVE BRG. HOUSING         |             |          |
| 2.  | 176-031V | CUP DRIVE BRG HOUSING ASSY     |             |          |
| 3.  | 308-022D | CUP SLEEVE                     |             |          |
| 4.  | 308-036S | 33 T DRIVE SPROCKET ASSEMBLY   |             |          |
| 5.  | 308-253D | SPACER TUBE 4.991              |             |          |
| 6.  | 313-049D | TUBE, ALIGNMENT SEED DROP      | S/N 518721+ |          |
| 7.  | 313-345H | BRACKET PS20 SEED CUP          |             |          |
| 8.  | 313-425D | FEEDERCUP SHAFT PS2096         |             |          |
| 9.  | 313-644D | PS20 LH END PLT COVER          |             |          |
| 10. | 313-647D | PS20 BOLTON SEED TRAY          |             |          |
| 11. | 800-004C | SNAP RING EXT BASIC 1.880      |             |          |
| 12. | 800-005C | RING FC HOUSING                |             |          |
| 13. | 800-108C | CLAMP HOSE 1 3/4 #28           | S/N 518721+ |          |
| 14. | 801-035C | SCREW SET 5/16-18 SKT KP X 3/8 |             |          |
| 15. | 802-004C | HHCS 1/4-20X3/4 GR5            |             |          |
| 16. | 802-007C | HHCS 5/16-18X3/4 GR5           |             |          |
| 17. | 802-032C | HHCS 1/2-13X3/4 GR5            |             |          |
| 18. | 802-148C | HFSS 1/4-20X1/2 GR5            |             |          |
| 19. | 803-008C | NUT HEX 5/16-18 PLT            |             |          |
| 20. | 803-194C | NUT HEX WHIZ 1/4-20 PLT        |             |          |
| 21. | 804-009C | WASHER LOCK SPRING 5/16 PLT    |             |          |
| 22. | 804-015C | WASHER LOCK SPRING 1/2 PLT     |             |          |
| 23. | 804-016C | WASHER FLAT 1/2 SAE PLT        |             |          |
| 24. | 804-031C | WASHER RETAINING               |             |          |
| 25. | 808-247C | SPKT 40A33 X .630 SQ BORE      |             |          |
| 26. | 816-004C | VINYL SEAL 3/8 X 1/2 (PER FT)  |             |          |
| 27. | 817-094C | SEED CUP ASSEMBLY-1 1/4        |             |          |
| 28. | 822-059C | BRG BALL 1.18IDX2.44OD 206PP   |             |          |
| 29. | 890-350C | 5/8 SHAFT LOCKING COLLAR       |             |          |
| 30. | 890-595C | SPROCKET SHORT POWDERED METAL  |             |          |

### Seed Rate Adjustment Handle S/N 397503+

Applies to PS2096



21298

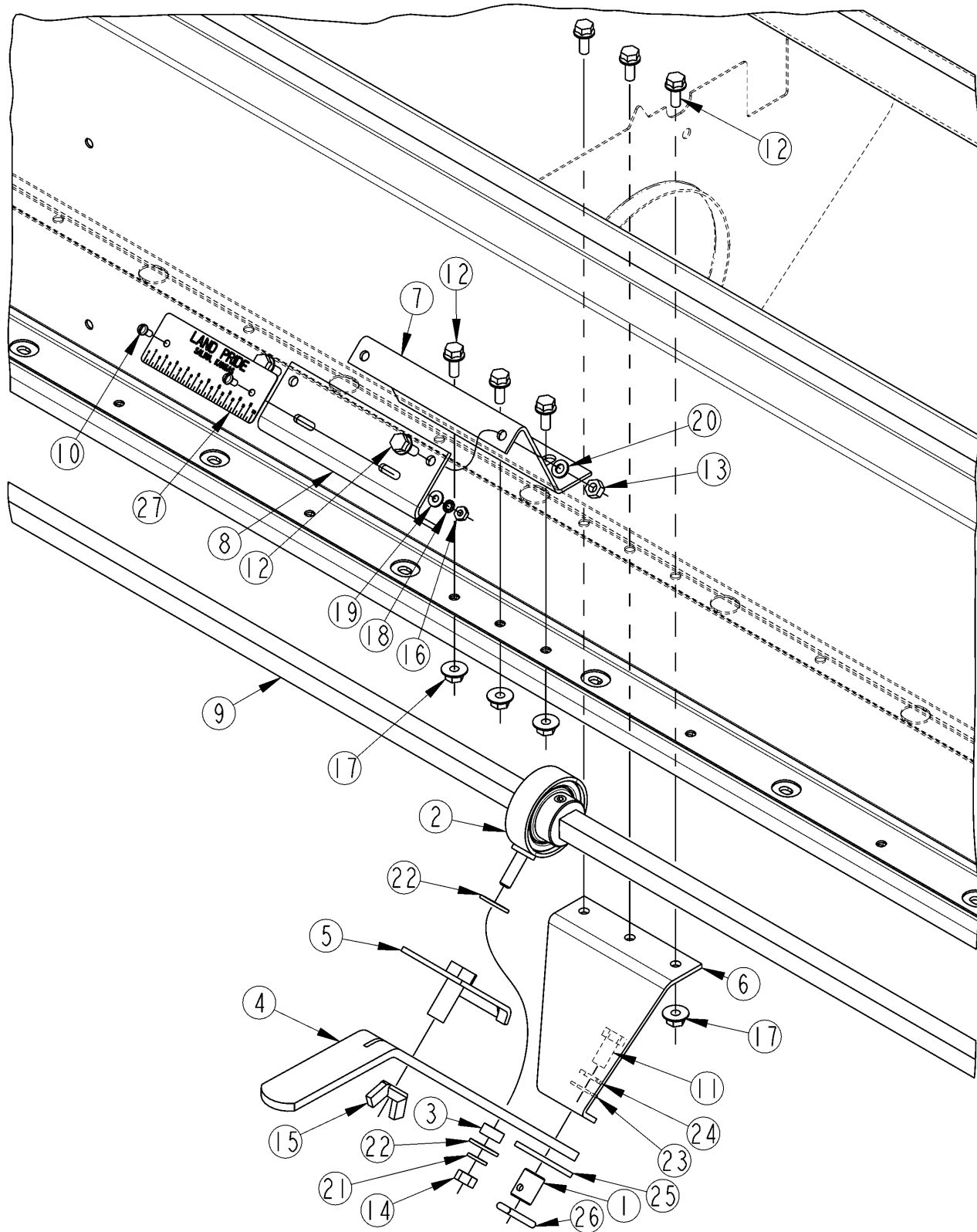


**Seed Rate Adjustment Handle S/N 397503+****Applies to PS2096**

| Ref | Part No. | Part Description               | Comments | Revision |
|-----|----------|--------------------------------|----------|----------|
|     | dwg21298 | Drawing Image Number           |          |          |
| 1.  | 109-069D | ADJUSTMENT HANDLE PIVOT        |          |          |
| 2.  | 308-004S | COLAR ADJUSTMENT ASY           |          |          |
| 3.  | 308-015D | SEED ADJ BEARING PIVOT TUBE    |          |          |
| 4.  | 308-334H | OS ADJ LOCK PLATE ASSY 1 1/2 W |          |          |
| 5.  | 313-056D | SEED GAUGE PLT. MTG            |          |          |
| 6.  | 313-499D | PS20 NG PIVOT MTG-ADJ HANDLE   |          |          |
| 7.  | 313-500D | PS20 NG GAUGE MTG PLATE        |          |          |
| 8.  | 313-501D | PS20 STD SEED ADJ HANDLE       |          |          |
| 9.  | 801-001C | SCREW RD HD 8-32 X 3/8 BRASS   |          |          |
| 10. | 801-035C | SCREW SET 5/16-18 SKT KP X 3/8 |          |          |
| 11. | 802-014C | HHCS 3/8-16X3/4 GR5            |          |          |
| 12. | 802-196C | HFSS 1/4-20X5/8 GR5            |          |          |
| 13. | 803-008C | NUT HEX 5/16-18 PLT            |          |          |
| 14. | 803-016C | NUT WING 1/2-13 PLT            |          |          |
| 15. | 803-035C | NUT HEX 8-32 BRASS             |          |          |
| 16. | 803-194C | NUT HEX WHIZ 1/4-20 PLT        |          |          |
| 17. | 804-002C | WASHER INTERNAL STAR #8 BRASS  |          |          |
| 18. | 804-003C | WASHER FLAT #8 BRASS           |          |          |
| 19. | 804-009C | WASHER LOCK SPRING 5/16 PLT    |          |          |
| 20. | 804-010C | WASHER FLAT 5/16 USS PLT       |          |          |
| 21. | 804-012C | WASHER FLAT 3/8 SAE PLT        |          |          |
| 22. | 804-013C | WASHER LOCK SPRING 3/8 PLT     |          |          |
| 23. | 804-019C | WASHER FLAT 5/8 USS PLT        |          |          |
| 24. | 805-016C | PIN COTTER 3/16 X 1 1/4 PLT    |          |          |
| 25. | 819-086C | NAME PLATE ADJ. GUIDE SHORT    |          |          |
| 26. | 890-350C | 5/8 SHAFT LOCKING COLLAR       |          |          |

### Seed Rate Handle Assembly S/N 397502-

Applies to PS2096



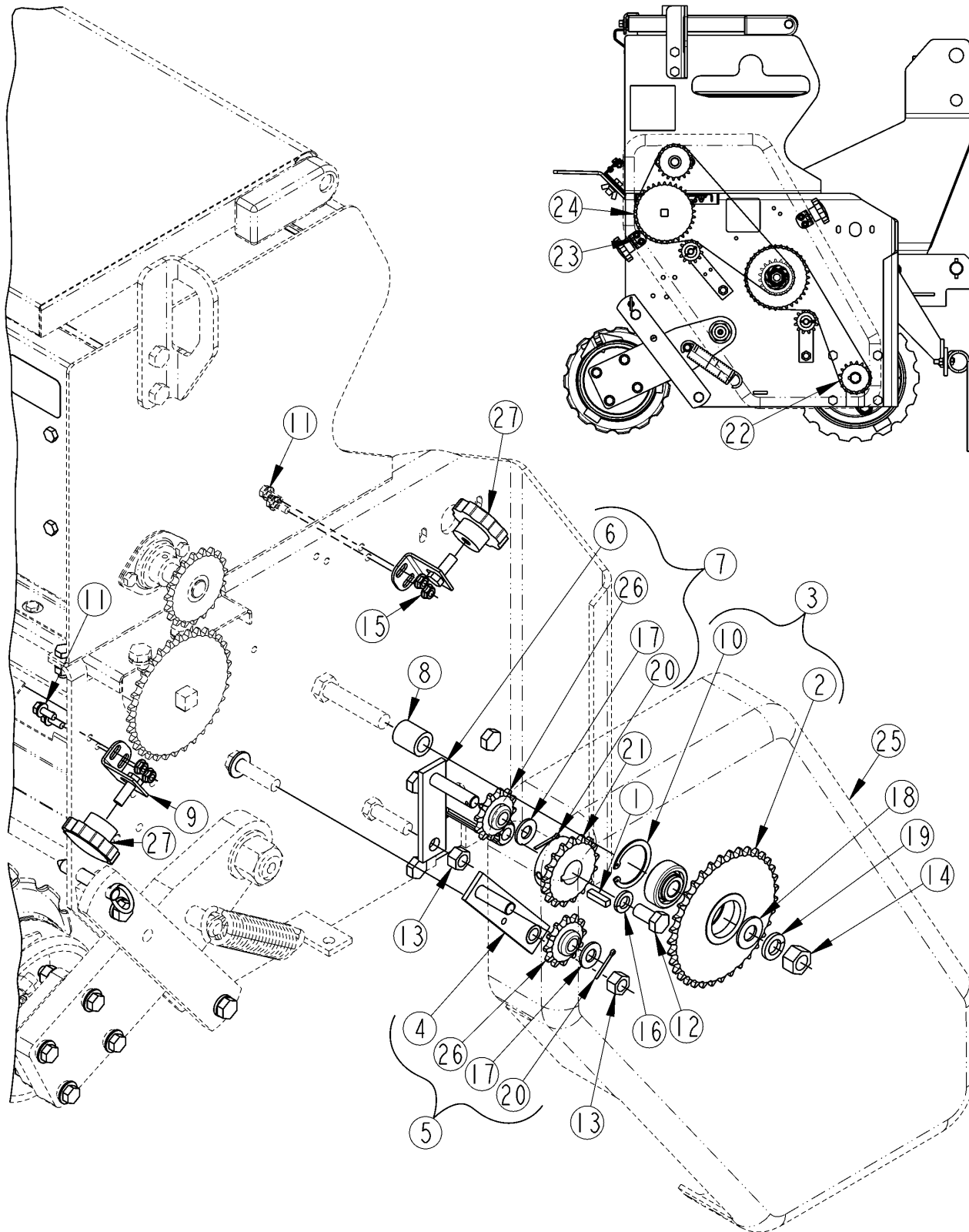
20751

**Seed Rate Handle Assembly S/N 397502-****Applies to PS2096**

| <b>Ref</b> | <b>Part No.</b> | <b>Part Description</b>        | <b>Comments</b> | <b>Revision</b> |
|------------|-----------------|--------------------------------|-----------------|-----------------|
|            | dwg20751        | Drawing Image Number           |                 |                 |
| 1.         | 109-069D        | ADJUSTMENT HANDLE PIVOT        |                 |                 |
| 2.         | 308-004S        | COLAR ADJUSTMENT ASY           |                 |                 |
| 3.         | 308-015D        | SEED ADJ BEARING PIVOT TUBE    |                 |                 |
| 4.         | 308-306D        | SEED RATE ADJ HANDLE BENT      |                 |                 |
| 5.         | 308-334H        | OS ADJ LOCK PLATE ASSY 1 1/2 W |                 |                 |
| 6.         | 313-054D        | PIVOT MTG ADJ HANDLE           |                 |                 |
| 7.         | 313-055D        | GAUGE MTG PLATE                |                 |                 |
| 8.         | 313-056D        | SEED GAUGE PLT. MTG            |                 |                 |
| 9.         | 313-425D        | FEEDERCUP SHAFT PS2096         |                 |                 |
| 10.        | 801-001C        | SCREW RD HD 8-32 X 3/8 BRASS   |                 |                 |
| 11.        | 802-014C        | HHCS 3/8-16X3/4 GR5            |                 |                 |
| 12.        | 802-196C        | HFSS 1/4-20X5/8 GR5            |                 |                 |
| 13.        | 803-006C        | NUT HEX 1/4-20 PLT             |                 |                 |
| 14.        | 803-008C        | NUT HEX 5/16-18 PLT            |                 |                 |
| 15.        | 803-016C        | NUT WING 1/2-13 PLT            |                 |                 |
| 16.        | 803-035C        | NUT HEX 8-32 BRASS             |                 |                 |
| 17.        | 803-088C        | NUT HEX LOCK 1/4-20 FLG        |                 |                 |
| 18.        | 804-002C        | WASHER INTERNAL STAR #8 BRASS  |                 |                 |
| 19.        | 804-003C        | WASHER FLAT #8 BRASS           |                 |                 |
| 20.        | 804-006C        | WASHER LOCK SPRING 1/4 PLT     |                 |                 |
| 21.        | 804-009C        | WASHER LOCK SPRING 5/16 PLT    |                 |                 |
| 22.        | 804-010C        | WASHER FLAT 5/16 USS PLT       |                 |                 |
| 23.        | 804-012C        | WASHER FLAT 3/8 SAE PLT        |                 |                 |
| 24.        | 804-013C        | WASHER LOCK SPRING 3/8 PLT     |                 |                 |
| 25.        | 804-019C        | WASHER FLAT 5/8 USS PLT        |                 |                 |
| 26.        | 805-016C        | PIN COTTER 3/16 X 1 1/4 PLT    |                 |                 |
| 27.        | 819-086C        | NAME PLATE ADJ. GUIDE SHORT    |                 |                 |

# Drive Assembly

Applies to PS2096



20753

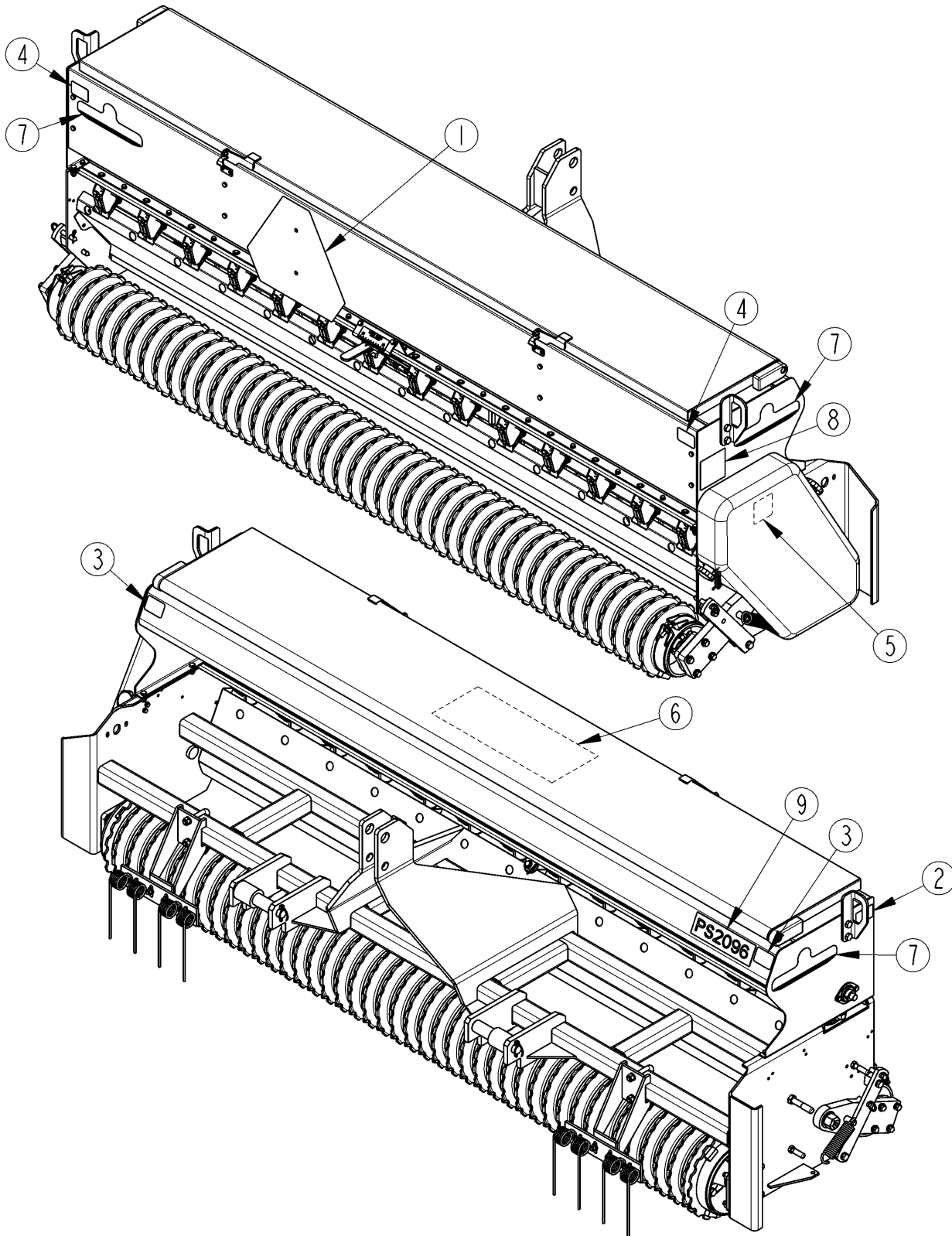
## Drive Assembly

### Applies to PS2096

| Ref | Part No. | Part Description               | Comments | Revision |
|-----|----------|--------------------------------|----------|----------|
|     | dwg20753 | Drawing Image Number           |          |          |
| 1.  | 123-004D | KEY 1/4 X 1                    |          |          |
| 2.  | 308-024H | OVERSEEDER SPEED CHANGE SPRKT  |          |          |
| 3.  | 308-041K | SPEED CHG SPROCKET ASSEMBLY    |          |          |
| 4.  | 308-107H | DRIVE IDLER ARM                |          |          |
| 5.  | 308-128S | LOWER CHAIN TENSIONER ASSY     |          |          |
| 6.  | 313-015H | LOWER IDLER ARM                |          |          |
| 7.  | 313-021S | LOWER IDLER ARM SUB            |          |          |
| 8.  | 313-029D | SPEED CHANGE SPACER            |          |          |
| 9.  | 313-182H | PS25120 CHAIN GUARD MTG.-LG.   |          |          |
| 10. | 800-070C | SNAP RING INT 1.812            |          |          |
| 11. | 802-196C | HFSS 1/4-20X5/8 GR5            |          |          |
| 12. | 802-240C | HHCS 1/2-20X1 GR5              |          |          |
| 13. | 803-019C | NUT LOCK 1/2-13 PLT            |          |          |
| 14. | 803-021C | NUT HEX 5/8-11 PLT             |          |          |
| 15. | 803-194C | NUT HEX WHIZ 1/4-20 PLT        |          |          |
| 16. | 804-015C | WASHER LOCK SPRING 1/2 PLT     |          |          |
| 17. | 804-016C | WASHER FLAT 1/2 SAE PLT        |          |          |
| 18. | 804-021C | WASHER FLAT 5/8 SAE PLT        |          |          |
| 19. | 804-022C | WASHER LOCK SPRING 5/8 PLT     |          |          |
| 20. | 805-064C | PIN COTTER 7/64 X 1 LONG       |          |          |
| 21. | 808-159C | SPKT 40B17 X 1 BORE W/KW & SS  |          |          |
| 22. | 809-078C | CHAIN #40 X 64 PITCHES         |          |          |
| 23. | 809-138C | CHAIN RL #40 X 84 PITCH W/CON  |          |          |
| 24. | 809-151C | CHAIN RL #40 X 10 PITCH W/CON  |          |          |
| 25. | 816-408C | PS2096 CHAIN COVER             |          |          |
| 25. | 816-363C | RPBY 816-408C                  |          |          |
| 26. | 817-025C | NO. 40 12T IDLER SPKT.         |          |          |
| 27. | 817-259C | KNOB 3/8-16 FEMALE THD 2 3/8OD |          |          |

## Label Placement (Part 1)

Applies to PS2096



20754

***Label Placement (Part 1)***

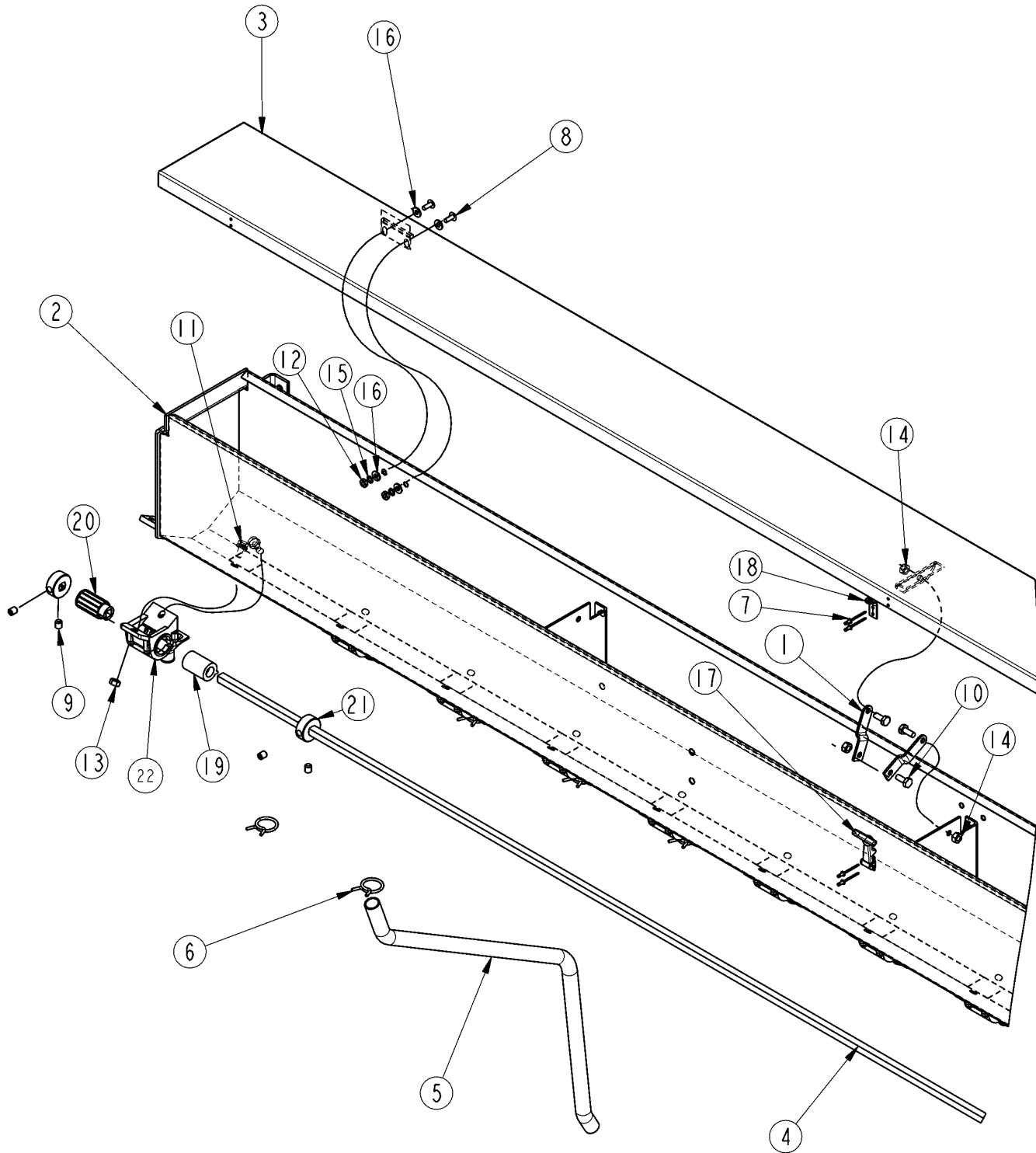
---

**Applies to PS2096**

| <b>Ref</b> | <b>Part No.</b> | <b>Part Description</b>                      | <b>Comments</b> | <b>Revision</b> |
|------------|-----------------|--|-----------------|-----------------|
|            | dwg20754        | Drawing Image Number<br>PS2096 DECAL PACKAGE |                 |                 |
| 1.         | 818-055C        | DECAL SLOW MOVING-GALV. BACKED               |                 |                 |
| 2.         | 818-190C        | DECAL FLAG                                   |                 |                 |
| 3.         | 818-229C        | DECAL AMBER REFLECTOR                        |                 |                 |
| 4.         | 818-230C        | DECAL RED REFLECTOR                          |                 |                 |
| 5.         | 818-543C        | DECAL DANGER PD GUARD MISS SML               |                 |                 |
| 6.         | 818-869C        | DECAL OS/PS SEED RATE                        |                 |                 |
| 7.         | 818-890C        | DECAL LP W/TREE 10" - 2 COLOR                |                 |                 |
| 8.         | 838-111C        | DECAL DANGER MOVING PARTS                    |                 |                 |
| 9.         | 838-334C        | DECAL PS2096-BROWN                           |                 |                 |

### Small Grass Seed Box Assembly S/N 397503+

Applies to PS2096



20626

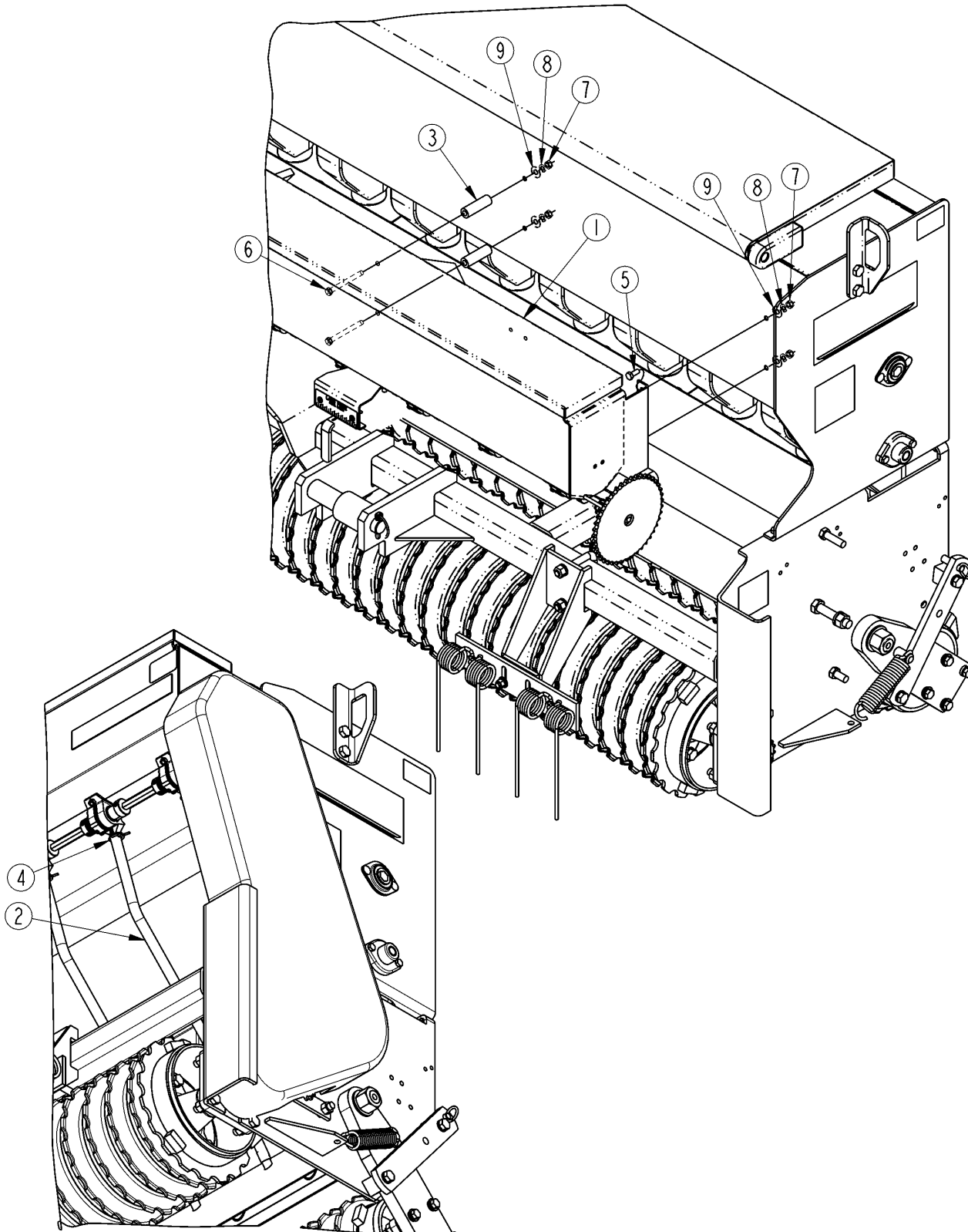


**Small Grass Seed Box Assembly S/N 397503+****Applies to PS2096**

| <b>Ref</b> | <b>Part No.</b> | <b>Part Description</b>        | <b>Comments</b> | <b>Revision</b> |
|------------|-----------------|--------------------------------|-----------------|-----------------|
|            | dwg20626        | Drawing Image Number           |                 |                 |
| 1.         | 123-356D        | 10' EWNT SGS LID LATCH         |                 |                 |
| 2.         | 313-284H        | PS2096 SGS BOX WELD            |                 |                 |
| 3.         | 313-285H        | PS2096 SGS LID WELDMENT        |                 |                 |
| 4.         | 313-506D        | PS2096 SGS CUP SHAFT           |                 |                 |
| 5.         | 313-631D        | PS20 SEED DROP HOSE            |                 |                 |
| 6.         | 800-029C        | CLAMP HOSE GRASS SEED          |                 |                 |
| 7.         | 800-101C        | RIVET POP 1/8 .125 AD42BSLF    |                 |                 |
| 8.         | 801-003C        | SCREW RD HD SLT 10-24X1/2 PLT  |                 |                 |
| 9.         | 801-035C        | SCREW SET 5/16-18 SKT KP X 3/8 |                 |                 |
| 10.        | 802-078C        | HHCS 1/4-20X5/8 GR5            |                 |                 |
| 11.        | 802-148C        | HFSS 1/4-20X1/2 GR5            |                 |                 |
| 12.        | 803-001C        | NUT HEX 10-24 PLT              |                 |                 |
| 13.        | 803-006C        | NUT HEX 1/4-20 PLT             |                 |                 |
| 14.        | 803-007C        | NUT LOCK 1/4-20 PLT            |                 |                 |
| 15.        | 804-004C        | WASHER INTERNAL STAR #10 PLT   |                 |                 |
| 16.        | 804-046C        | WASHER FLAT #10 SAE PLT        |                 |                 |
| 17.        | 816-112C        | RUBBER LATCH 37-11-065-10      |                 |                 |
| 18.        | 816-113C        | LATCH KEEPER 37-15-061-17      |                 |                 |
| 19.        | 817-009C        | GRASS SEEDER SLEEVE            |                 |                 |
| 20.        | 817-010C        | GRASS SEEDER SPROCKET          |                 |                 |
| 21.        | 890-349C        | 3/8 SHAFT LOCKING COLLAR       |                 |                 |
| 22.        | 817-504C        | SML SEED FEEDER CUP ASSY       |                 |                 |

**Small Grass Seed Box To Main Box Assemble S/N 397503+**

Applies to PS2096



20632

**Small Grass Seed Box To Main Box Assemble S/N 397503+**

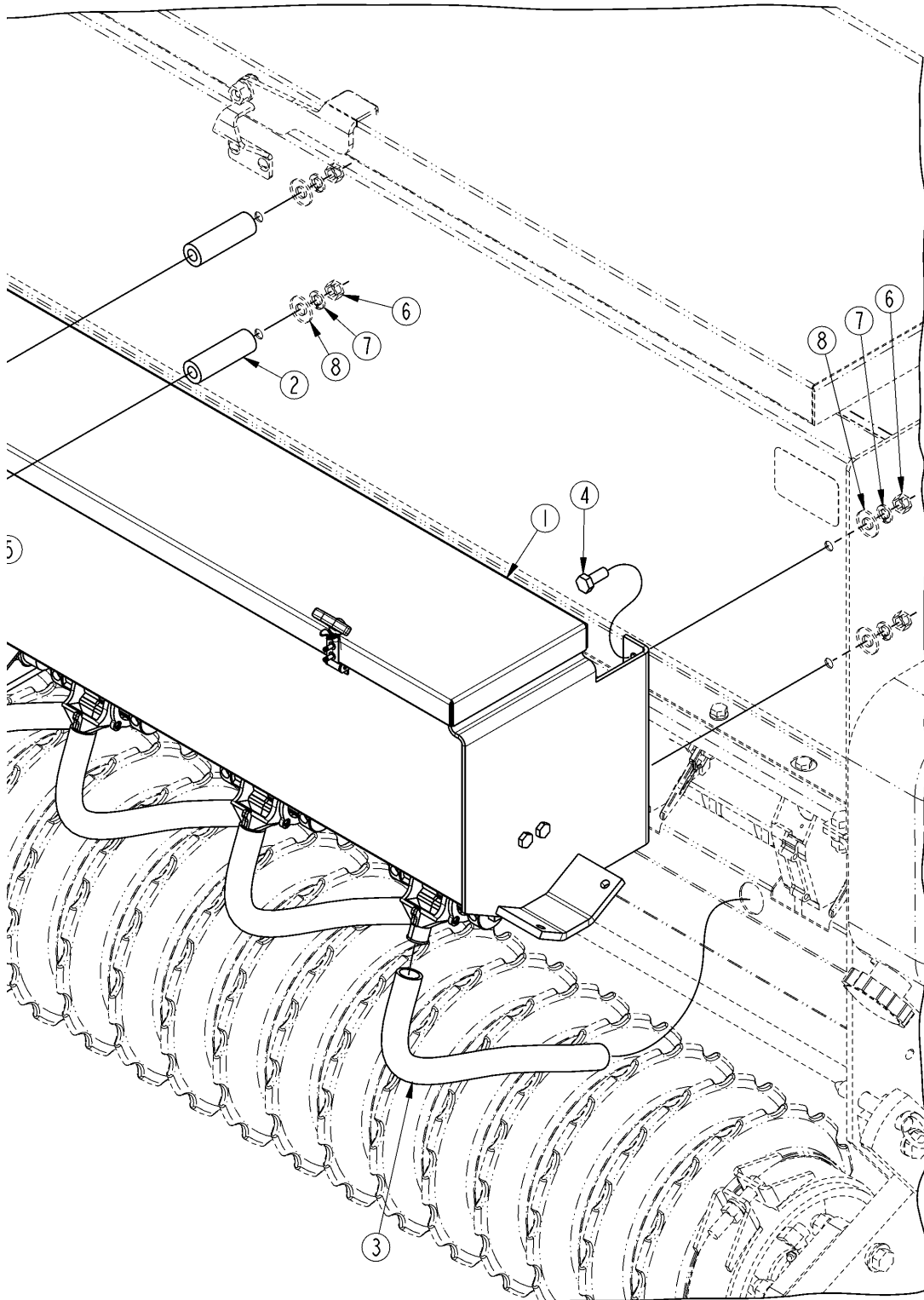
---

**Applies to PS2096**

| <b>Ref</b> | <b>Part No.</b> | <b>Part Description</b>     | <b>Comments</b> | <b>Revision</b> |
|------------|-----------------|-----------------------------|-----------------|-----------------|
|            | dwg20632        | Drawing Image Number        |                 |                 |
| 1.         | 313-286L        | PSN2096 SGS BOX SUB         |                 |                 |
| 2.         | 313-525D        | PS20 SMALL SEED DROP HOSE   |                 |                 |
| 3.         | 313-536D        | SMALL SEED BOX MTG SPACER   |                 |                 |
| 4.         | 800-029C        | CLAMP HOSE GRASS SEED       |                 |                 |
| 5.         | 802-007C        | HHCS 5/16-18X3/4 GR5        |                 |                 |
| 6.         | 802-390C        | HHCS 5/16-18X3 1/4 GR5      |                 |                 |
| 7.         | 803-008C        | NUT HEX 5/16-18 PLT         |                 |                 |
| 8.         | 804-009C        | WASHER LOCK SPRING 5/16 PLT |                 |                 |
| 9.         | 804-010C        | WASHER FLAT 5/16 USS PLT    |                 |                 |

### Small Grass Seed Box To Main Box Assembly S/N 397502-

Applies to PS2096



|   |       |
|---|-------|
| 1 | 313-1 |
| 2 | 313-1 |
| 3 | 313-1 |
| 4 | 802-1 |
| 5 | 802-1 |
| 6 | 803-1 |
| 7 | 804-1 |
| 8 | 804-1 |

20757

**Small Grass Seed Box To Main Box Assembly S/N 397502-**

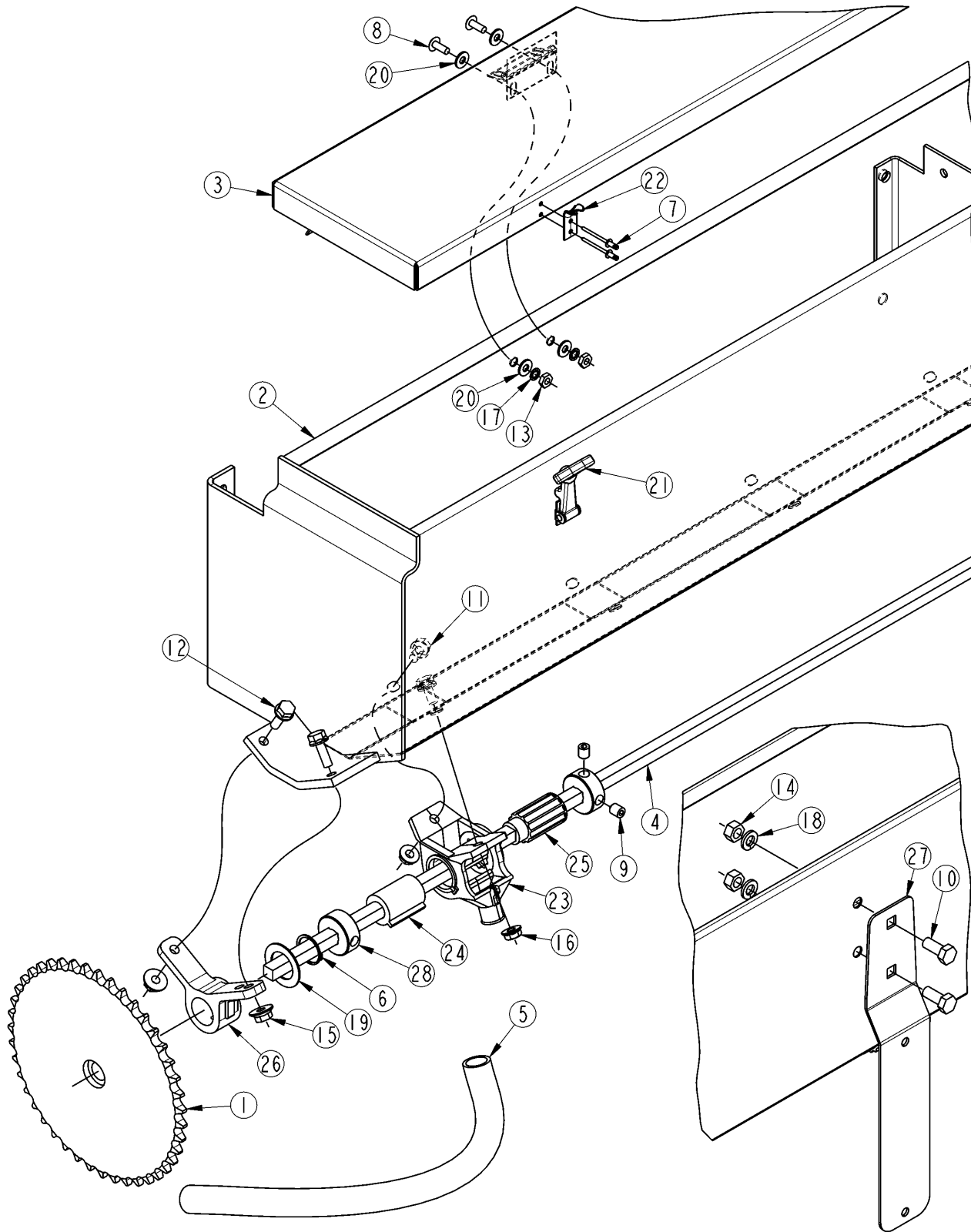
---

**Applies to PS2096**

| <b>Ref</b> | <b>Part No.</b> | <b>Part Description</b>     | <b>Comments</b> | <b>Revision</b> |
|------------|-----------------|-----------------------------|-----------------|-----------------|
|            | dwg20757        | Drawing Image Number        |                 |                 |
| 1.         | 313-319L        | PS2096 SGS BOX SUB          |                 |                 |
| 2.         | 313-536D        | SMALL SEED BOX MTG SPACER   |                 |                 |
| 3.         | 313-550D        | PS20 SGS HOSE               |                 |                 |
| 4.         | 802-007C        | HHCS 5/16-18X3/4 GR5        |                 |                 |
| 5.         | 802-390C        | HHCS 5/16-18X3 1/4 GR5      |                 |                 |
| 6.         | 803-008C        | NUT HEX 5/16-18 PLT         |                 |                 |
| 7.         | 804-009C        | WASHER LOCK SPRING 5/16 PLT |                 |                 |
| 8.         | 804-010C        | WASHER FLAT 5/16 USS PLT    |                 |                 |

# Small Grass Seed Cup And Box Assembly S/N 397502-

Applies to PS2096



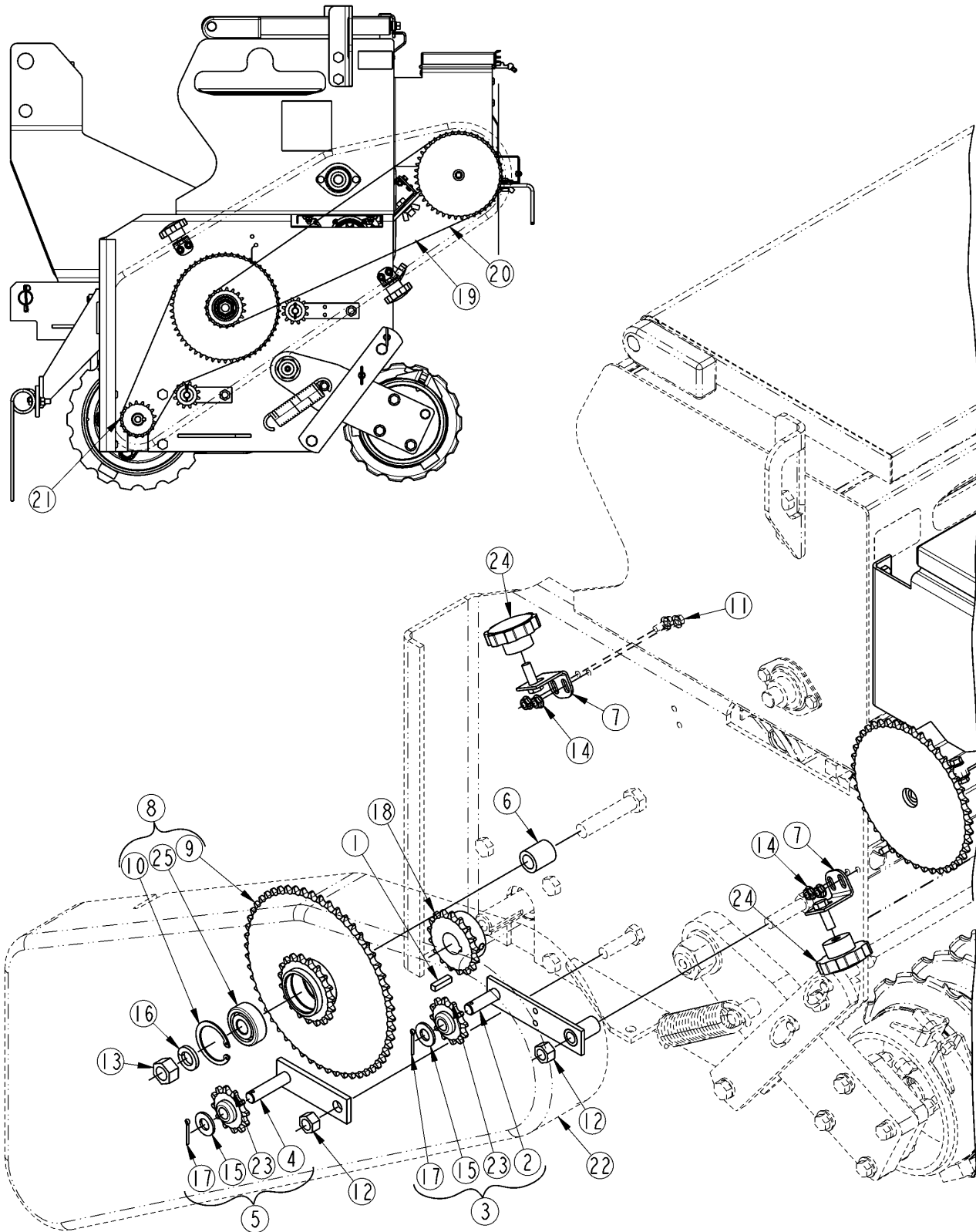
20755

**Small Grass Seed Cup And Box Assembly S/N 397502-****Applies to PS2096**

| <b>Ref</b> | <b>Part No.</b> | <b>Part Description</b>        | <b>Comments</b> | <b>Revision</b> |
|------------|-----------------|--------------------------------|-----------------|-----------------|
|            | dwg20755        | Drawing Image Number           |                 |                 |
| 1.         | 308-230H        | SSB BOX DRIVE SPROCKET 43T     |                 |                 |
| 2.         | 313-284H        | PS2096 SGS BOX WELD            |                 |                 |
| 3.         | 313-285H        | PS2096 SGS LID WELDMENT        |                 |                 |
| 4.         | 313-506D        | PS2096 SGS CUP SHAFT           |                 |                 |
| 5.         | 313-550D        | PS20 SGS HOSE                  |                 |                 |
| 6.         | 800-028C        | SNAP RING .875                 |                 |                 |
| 7.         | 800-101C        | RIVET POP 1/8 .125 AD42BSLF    |                 |                 |
| 8.         | 801-003C        | SCREW RD HD SLT 10-24X1/2 PLT  |                 |                 |
| 9.         | 801-035C        | SCREW SET 5/16-18 SKT KP X 3/8 |                 |                 |
| 10.        | 802-007C        | HHCS 5/16-18X3/4 GR5           |                 |                 |
| 11.        | 802-148C        | HFSS 1/4-20X1/2 GR5            |                 |                 |
| 12.        | 802-257C        | HFSS 1/4-20X3/4 GR5            |                 |                 |
| 13.        | 803-001C        | NUT HEX 10-24 PLT              |                 |                 |
| 14.        | 803-008C        | NUT HEX 5/16-18 PLT            |                 |                 |
| 15.        | 803-088C        | NUT HEX LOCK 1/4-20 FLG        |                 |                 |
| 16.        | 803-194C        | NUT HEX WHIZ 1/4-20 PLT        |                 |                 |
| 17.        | 804-004C        | WASHER INTERNAL STAR #10 PLT   |                 |                 |
| 18.        | 804-009C        | WASHER LOCK SPRING 5/16 PLT    |                 |                 |
| 19.        | 804-044C        | WASHER MACH 1.38 X .876 X .048 |                 |                 |
| 20.        | 804-046C        | WASHER FLAT #10 SAE PLT        |                 |                 |
| 21.        | 816-112C        | RUBBER LATCH 37-11-065-10      |                 |                 |
| 22.        | 816-113C        | LATCH KEEPER 37-15-061-17      |                 |                 |
| 23.        | 817-008C        | GRASS SEEDER CUP ASSEMBLY      |                 |                 |
| 24.        | 817-009C        | GRASS SEEDER SLEEVE            |                 |                 |
| 25.        | 817-010C        | GRASS SEEDER SPROCKET          |                 |                 |
| 26.        | 817-026C        | DRIVE SPROCKET HANGER BEARING  |                 |                 |
| 27.        | 890-153C        | SMV MOUNTING BLADE             |                 |                 |
| 28.        | 890-349C        | 3/8 SHAFT LOCKING COLLAR       |                 |                 |

**Small Grass Seed Drive S/N 397502-**

Applies to PS2096



20758

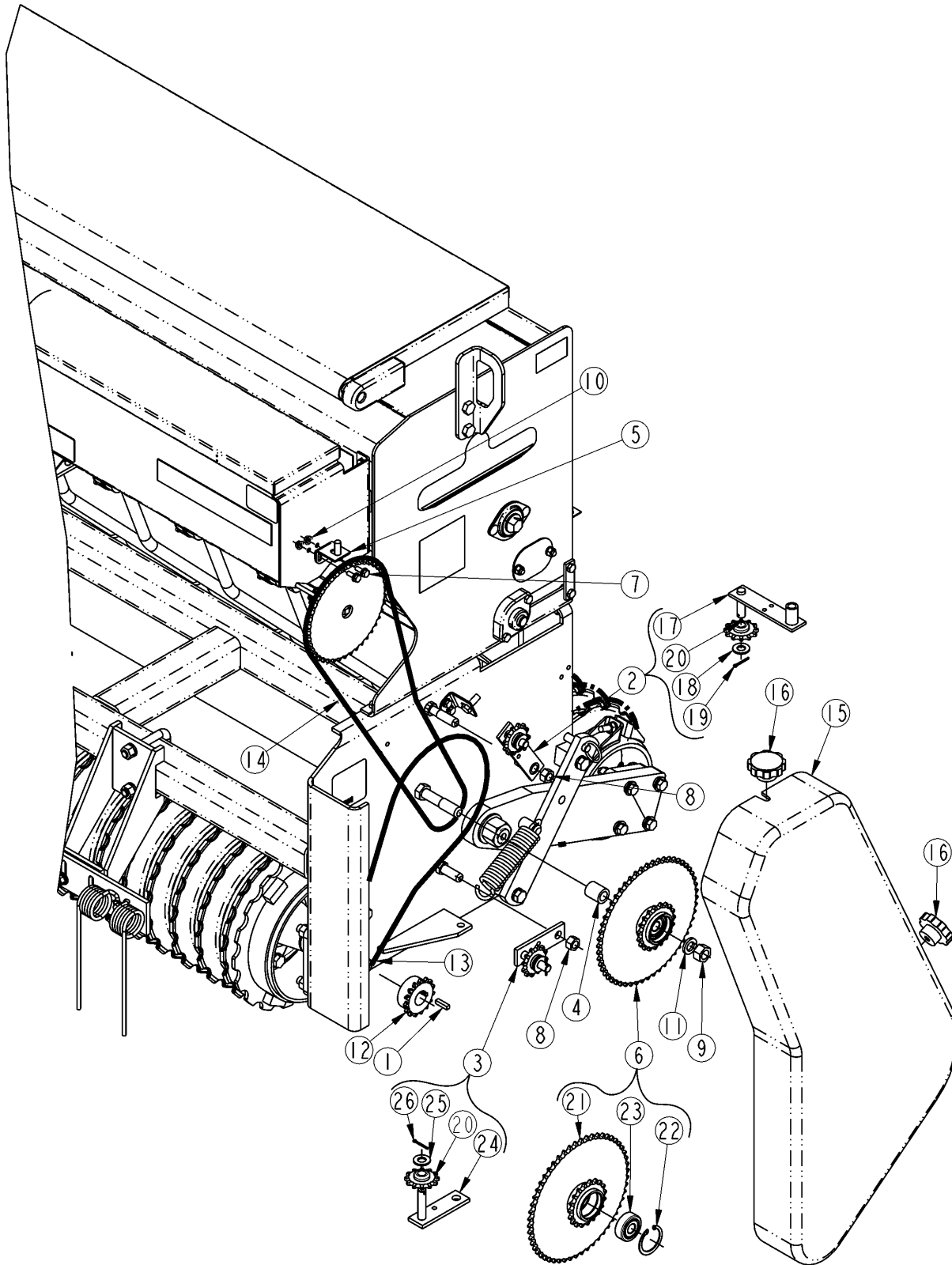


**Small Grass Seed Drive S/N 397502-****Applies to PS2096**

| <b>Ref</b> | <b>Part No.</b> | <b>Part Description</b>        | <b>Comments</b> | <b>Revision</b> |
|------------|-----------------|--------------------------------|-----------------|-----------------|
|            | dwg20758        | Drawing Image Number           |                 |                 |
| 1.         | 123-004D        | KEY 1/4 X 1                    |                 |                 |
| 2.         | 308-107H        | DRIVE IDLER ARM                |                 |                 |
| 3.         | 308-128S        | LOWER CHAIN TENSIONER ASSY     |                 |                 |
| 4.         | 313-015H        | LOWER IDLER ARM                |                 |                 |
| 5.         | 313-021S        | LOWER IDLER ARM SUB            |                 |                 |
| 6.         | 313-029D        | SPEED CHANGE SPACER            |                 |                 |
| 7.         | 313-182H        | PS25120 CHAIN GUARD MTG.-LG.   |                 |                 |
| 8.         | 313-317K        | REDUCTION SPROCKET ASSY        |                 |                 |
| 9.         | 313-318H        | REDUCTION SPROCKET WELD        |                 |                 |
| 10.        | 800-070C        | SNAP RING INT 1.812            |                 |                 |
| 11.        | 802-196C        | HFSS 1/4-20X5/8 GR5            |                 |                 |
| 12.        | 803-019C        | NUT LOCK 1/2-13 PLT            |                 |                 |
| 13.        | 803-021C        | NUT HEX 5/8-11 PLT             |                 |                 |
| 14.        | 803-194C        | NUT HEX WHIZ 1/4-20 PLT        |                 |                 |
| 15.        | 804-016C        | WASHER FLAT 1/2 SAE PLT        |                 |                 |
| 16.        | 804-022C        | WASHER LOCK SPRING 5/8 PLT     |                 |                 |
| 17.        | 805-064C        | PIN COTTER 7/64 X 1 LONG       |                 |                 |
| 18.        | 808-159C        | SPKT 40B17 X 1 BORE W/KW & SS  |                 |                 |
| 19.        | 809-070C        | CHAIN CONNECTOR LINK #40 OFFST |                 |                 |
| 20.        | 809-115C        | #40 CHAIN 60 PITCH W/CON.      |                 |                 |
| 21.        | 809-138C        | CHAIN RL #40 X 84 PITCH W/CON  |                 |                 |
| 22.        | 816-375C        | PS20 SGS DRIVE COVER           |                 |                 |
| 23.        | 817-025C        | NO. 40 12T IDLER SPKT.         |                 |                 |
| 24.        | 817-259C        | KNOB 3/8-16 FEMALE THD 2 3/8OD |                 |                 |
| 25.        | 822-067C        | BEARING 204 DOUBLE SEAL DD     |                 |                 |

**Small Grass Seed Drive S/N 397503+**

Applies to PS2096



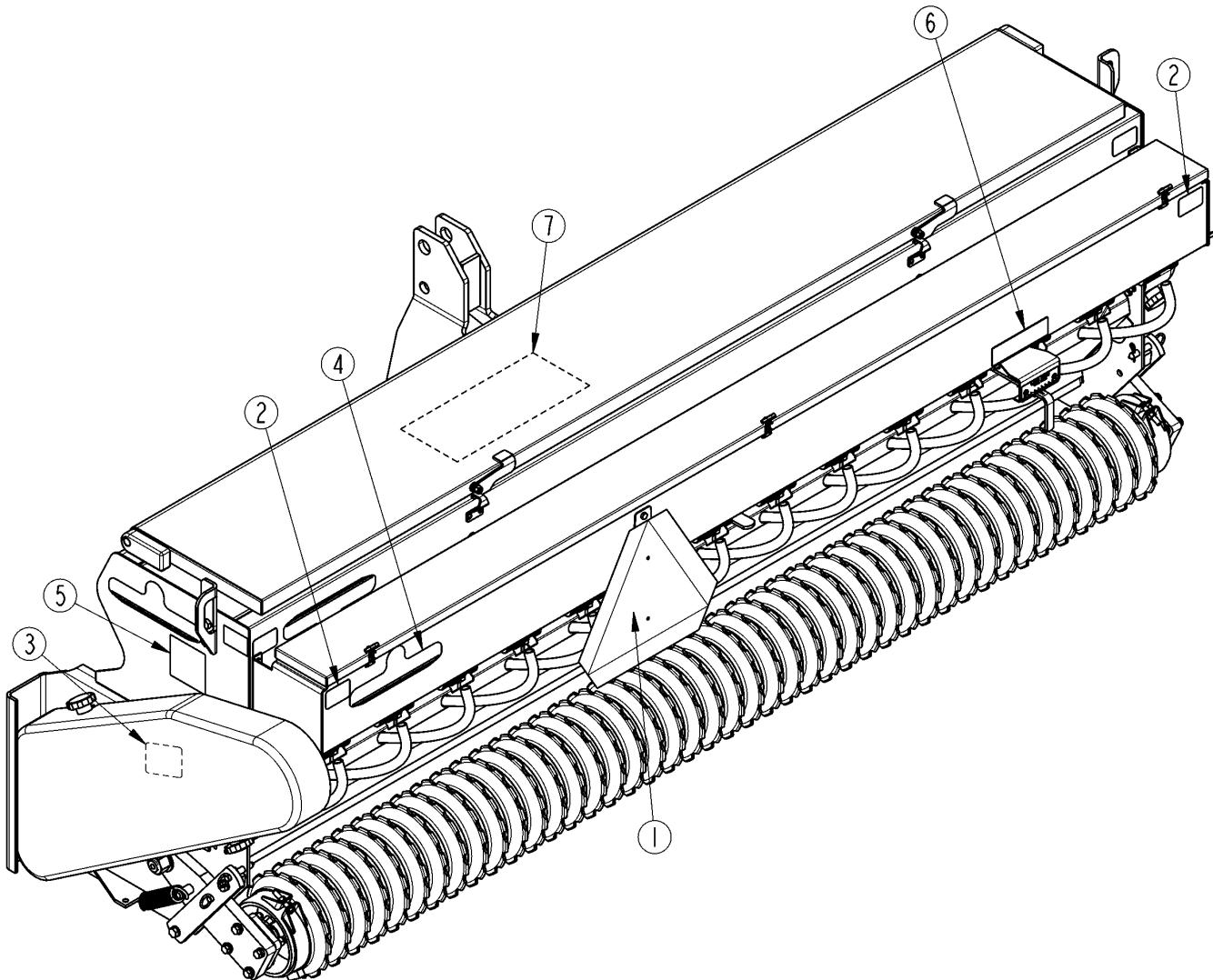
20633

**Small Grass Seed Drive S/N 397503+****Applies to PS2096**

| <b>Ref</b> | <b>Part No.</b> | <b>Part Description</b>        | <b>Comments</b> | <b>Revision</b> |
|------------|-----------------|--------------------------------|-----------------|-----------------|
|            | dwg20633        | Drawing Image Number           |                 |                 |
| 1.         | 123-004D        | KEY 1/4 X 1                    |                 |                 |
| 2.         | 308-128S        | LOWER CHAIN TENSIONER ASSY     |                 |                 |
| 3.         | 313-021S        | LOWER IDLER ARM SUB            |                 |                 |
| 4.         | 313-029D        | SPEED CHANGE SPACER            |                 |                 |
| 5.         | 313-182H        | PS25120 CHAIN GUARD MTG.-LG.   |                 |                 |
| 6.         | 313-317K        | REDUCTION SPROCKET ASSY        |                 |                 |
| 7.         | 802-196C        | HFSS 1/4-20X5/8 GR5            |                 |                 |
| 8.         | 803-020C        | NUT HEX 1/2-13 PLT             |                 |                 |
| 9.         | 803-021C        | NUT HEX 5/8-11 PLT             |                 |                 |
| 10.        | 803-194C        | NUT HEX WHIZ 1/4-20 PLT        |                 |                 |
| 11.        | 804-022C        | WASHER LOCK SPRING 5/8 PLT     |                 |                 |
| 12.        | 808-062C        | SPKT 40B15 X 1 B W/KW & SS     |                 |                 |
| 13.        | 809-223C        | CHAIN #40 82 PITCH W/CON       |                 |                 |
| 14.        | 809-224C        | CHAIN #40 118 PITCH W/CON      |                 |                 |
| 15.        | 816-374C        | PSN SGS DRIVE COVER            |                 |                 |
| 16.        | 817-259C        | KNOB 3/8-16 FEMALE THD 2 3/8OD |                 |                 |
| 17.        | 308-107H        | DRIVE IDLER ARM                |                 |                 |
| 18.        | 804-016C        | WASHER FLAT 1/2 SAE PLT        |                 |                 |
| 19.        | 805-064C        | PIN COTTER 7/64 X 1 LONG       |                 |                 |
| 20.        | 817-025C        | NO. 40 12T IDLER SPKT.         |                 |                 |
| 21.        | 313-318H        | REDUCTION SPROCKET WELD        |                 |                 |
| 22.        | 800-070C        | SNAP RING INT 1.812            |                 |                 |
| 23.        | 822-067C        | BEARING 204 DOUBLE SEAL DD     |                 |                 |
| 24.        | 313-015H        | LOWER IDLER ARM                |                 |                 |
| 25.        | 804-016C        | WASHER FLAT 1/2 SAE PLT        |                 |                 |
| 26.        | 805-064C        | PIN COTTER 7/64 X 1 LONG       |                 |                 |

### Small Grass Seed Label Placement S/N 397502-

Applies to PS2096



20759

**Small Grass Seed Label Placement S/N 397502-**

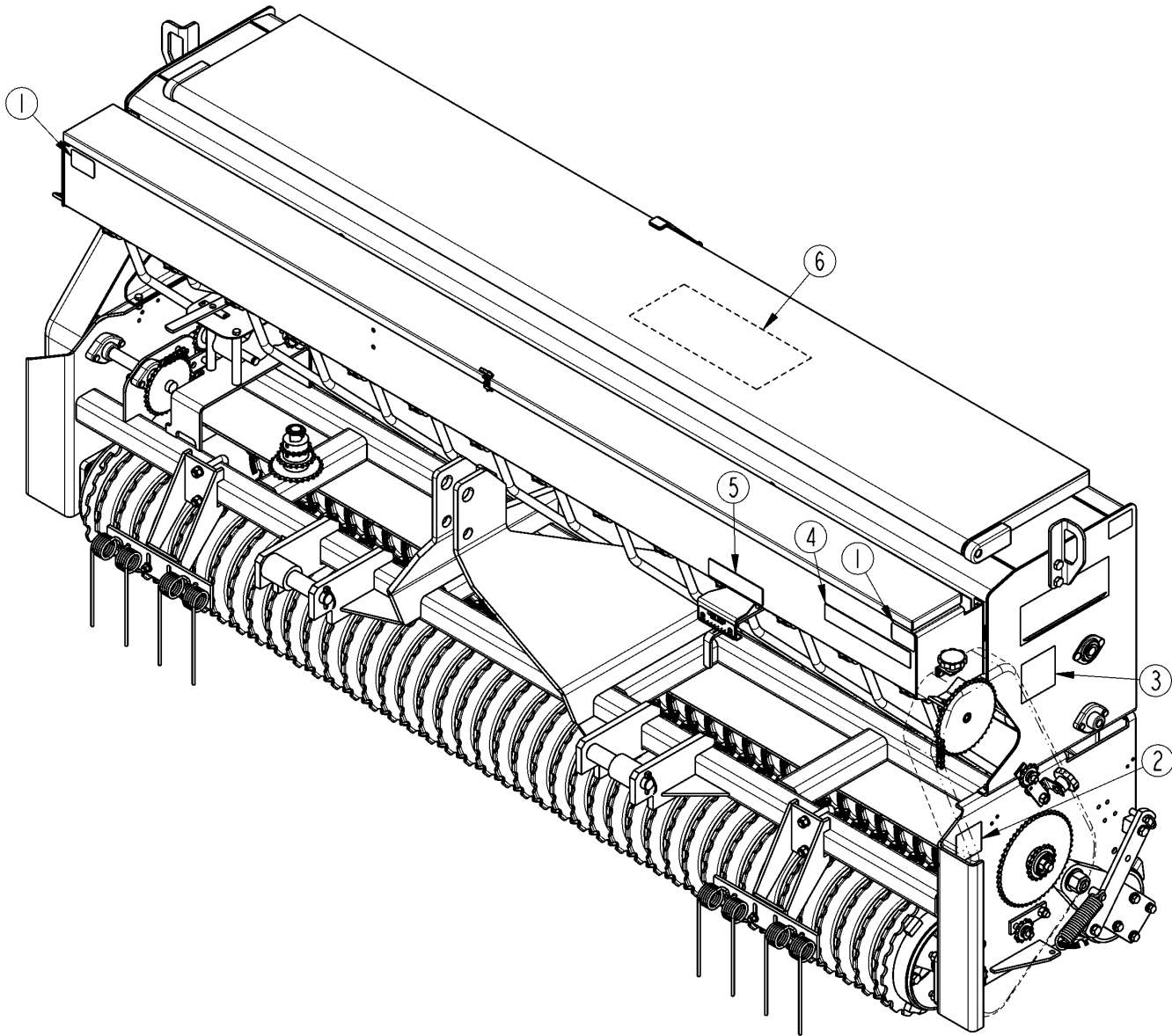
---

**Applies to PS2096**

| <b>Ref</b> | <b>Part No.</b> | <b>Part Description</b>                          | <b>Comments</b> | <b>Revision</b> |
|------------|-----------------|--|-----------------|-----------------|
|            | dwg20759        | Drawing Image Number<br>PS2096 SGS DECAL PACKAGE |                 |                 |
| 1.         | 818-055C        | DECAL SLOW MOVING-GALV. BACKED                   |                 |                 |
| 2.         | 818-230C        | DECAL RED REFLECTOR                              |                 |                 |
| 3.         | 818-543C        | DECAL DANGER PD GUARD MISS SML                   |                 |                 |
| 4.         | 818-890C        | DECAL LP W/TREE 10" - 2 COLOR                    |                 |                 |
| 5.         | 838-111C        | DECAL DANGER MOVING PARTS                        |                 |                 |
| 6.         | 838-340C        | DECAL DISENGAGE DRIVE                            |                 |                 |
| 7.         | 838-372C        | DECAL PS20 SMALL SEED CHART                      |                 |                 |

**Small Grass Seed Label Placement S/N 397503+**

Applies to PS2096



20630

**Small Grass Seed Label Placement S/N 397503+**

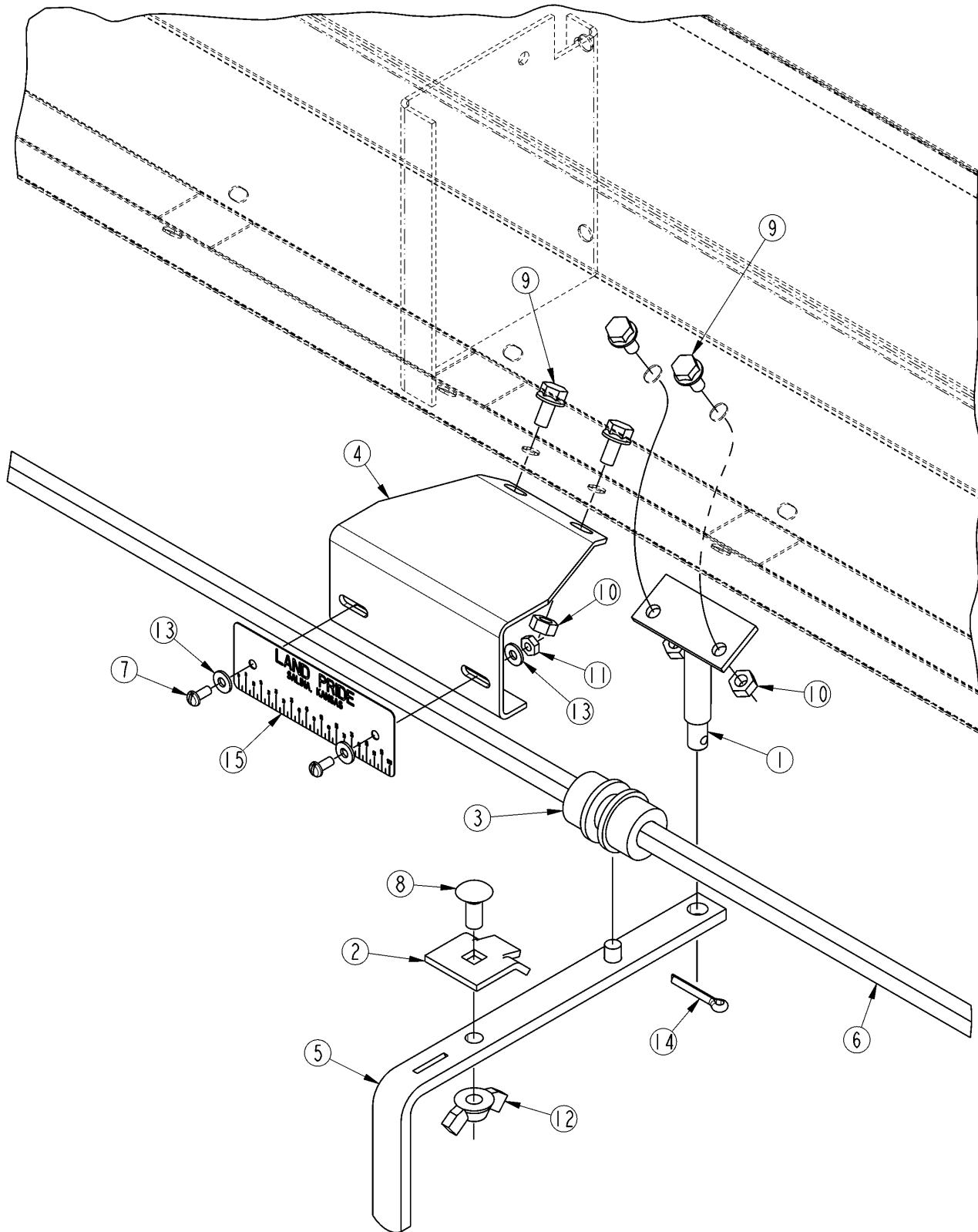
---

**Applies to PS2096**

| <b>Ref</b> | <b>Part No.</b> | <b>Part Description</b>        | <b>Comments</b> | <b>Revision</b> |
|------------|-----------------|--------------------------------|-----------------|-----------------|
|            | dwg20630        | Drawing Image Number           |                 |                 |
|            | 313-337A        | PSN2096 SGS DECAL PACKAGE      |                 |                 |
| 1.         | 818-229C        | DECAL AMBER REFLECTOR          |                 |                 |
| 2.         | 818-543C        | DECAL DANGER PD GUARD MISS SML |                 |                 |
| 3.         | 838-111C        | DECAL DANGER MOVING PARTS      |                 |                 |
| 4.         | 838-301C        | DECAL PSN2096-BROWN            |                 |                 |
| 5.         | 838-340C        | DECAL DISENGAGE DRIVE          |                 |                 |
| 6.         | 838-372C        | DECAL PS20 SMALL SEED CHART    |                 |                 |

### Small Grass Seed Seed Rate Handle S/N 397502-

Applies to PS2096



20756

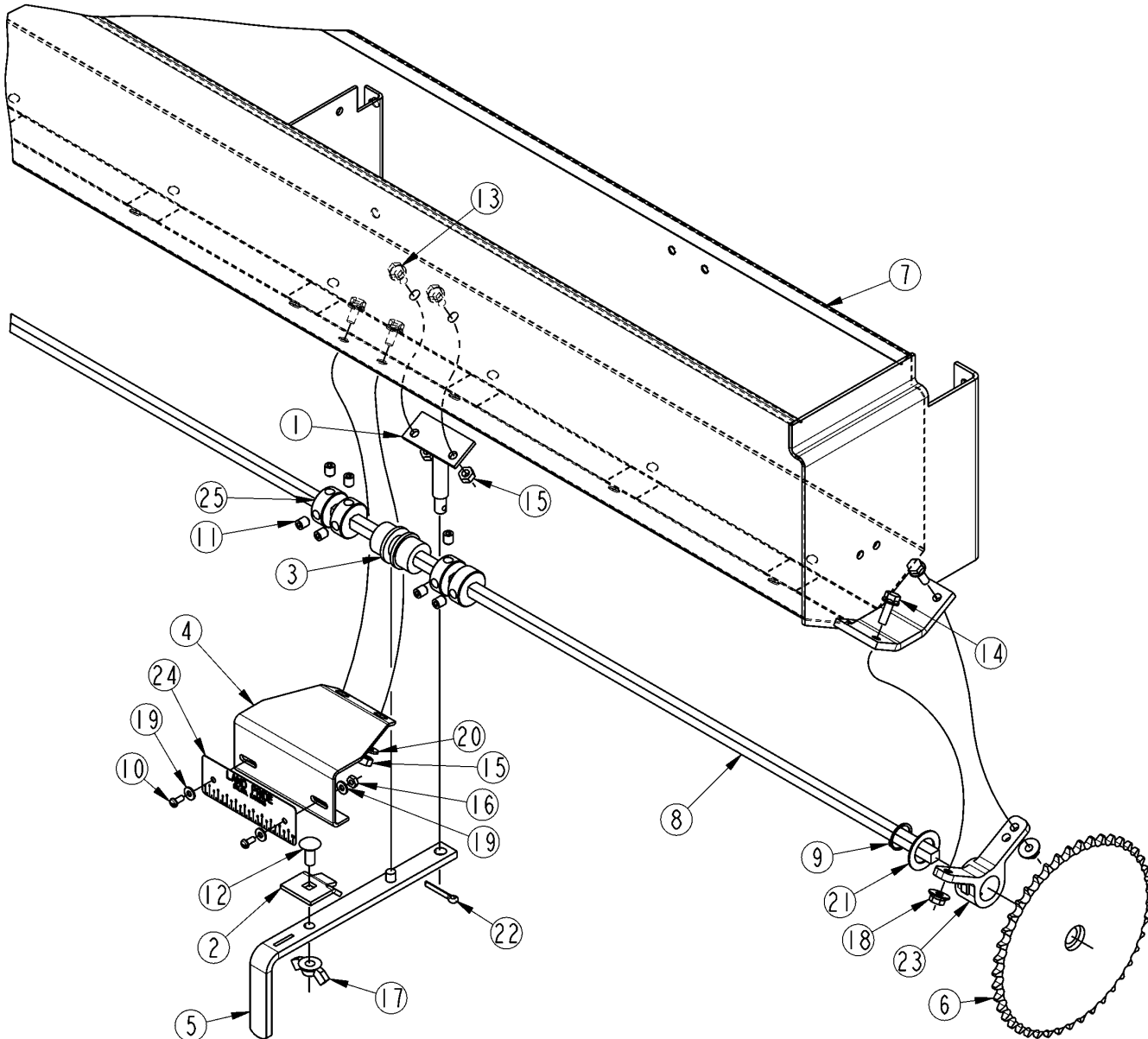


**Small Grass Seed Seed Rate Handle S/N 397502-****Applies to PS2096**

| <b>Ref</b> | <b>Part No.</b> | <b>Part Description</b>       | <b>Comments</b> | <b>Revision</b> |
|------------|-----------------|-------------------------------|-----------------|-----------------|
|            | dwg20756        | Drawing Image Number          |                 |                 |
| 1.         | 123-050H        | ADJUSTMENT HANDLE PIVOT       |                 |                 |
| 2.         | 123-113D        | LOCK TAB                      |                 |                 |
| 3.         | 123-116D        | SEED ADJUSTMENT SPOOL         |                 |                 |
| 4.         | 123-410D        | GAUGE MOUNTING BRACKET        |                 |                 |
| 5.         | 123-476H        | REAR SEED RATE ADJ HANDLE WLD |                 |                 |
| 6.         | 313-506D        | PS2096 SGS CUP SHAFT          |                 |                 |
| 7.         | 801-001C        | SCREW RD HD 8-32 X 3/8 BRASS  |                 |                 |
| 8.         | 802-092C        | RHSNB 5/16-18X3/4 GR5         |                 |                 |
| 9.         | 802-148C        | HFSS 1/4-20X1/2 GR5           |                 |                 |
| 10.        | 803-006C        | NUT HEX 1/4-20 PLT            |                 |                 |
| 11.        | 803-035C        | NUT HEX 8-32 BRASS            |                 |                 |
| 12.        | 803-058C        | NUT WING 5/16-18              |                 |                 |
| 13.        | 804-003C        | WASHER FLAT #8 BRASS          |                 |                 |
| 14.        | 805-019C        | PIN COTTER 5/32 X 1 PLT       |                 |                 |
| 15.        | 819-086C        | NAME PLATE ADJ. GUIDE SHORT   |                 |                 |

### Small Grass Seed Seed Rate Handle S/N 397503+

Applies to PS2096



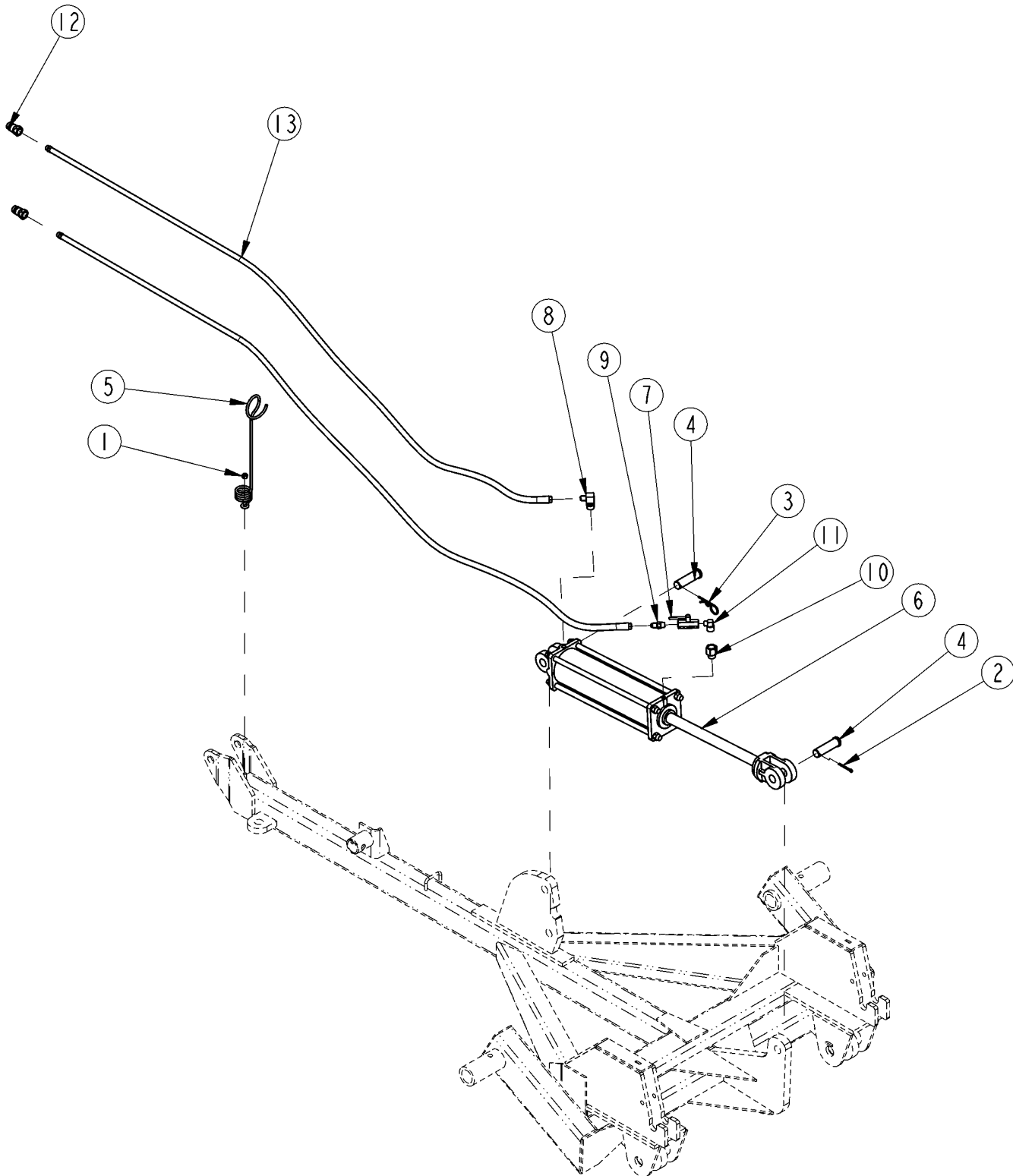
20638

**Small Grass Seed Seed Rate Handle S/N 397503+****Applies to PS2096**

| <b>Ref</b> | <b>Part No.</b> | <b>Part Description</b>        | <b>Comments</b> | <b>Revision</b> |
|------------|-----------------|--------------------------------|-----------------|-----------------|
|            | dwg20638        | Drawing Image Number           |                 |                 |
| 1.         | 123-050H        | ADJUSTMENT HANDLE PIVOT        |                 |                 |
| 2.         | 123-113D        | LOCK TAB                       |                 |                 |
| 3.         | 123-116D        | SEED ADJUSTMENT SPOOL          |                 |                 |
| 4.         | 123-410D        | GAUGE MOUNTING BRACKET         |                 |                 |
| 5.         | 123-476H        | REAR SEED RATE ADJ HANDLE WLD  |                 |                 |
| 6.         | 308-230H        | SSB BOX DRIVE SPROCKET 43T     |                 |                 |
| 7.         | 313-284H        | PS2096 SGS BOX WELD            |                 |                 |
| 8.         | 313-506D        | PS2096 SGS CUP SHAFT           |                 |                 |
| 9.         | 800-028C        | SNAP RING .875                 |                 |                 |
| 10.        | 801-001C        | SCREW RD HD 8-32 X 3/8 BRASS   |                 |                 |
| 11.        | 801-035C        | SCREW SET 5/16-18 SKT KP X 3/8 |                 |                 |
| 12.        | 802-092C        | RHSNB 5/16-18X3/4 GR5          |                 |                 |
| 13.        | 802-148C        | HFSS 1/4-20X1/2 GR5            |                 |                 |
| 14.        | 802-257C        | HFSS 1/4-20X3/4 GR5            |                 |                 |
| 15.        | 803-006C        | NUT HEX 1/4-20 PLT             |                 |                 |
| 16.        | 803-035C        | NUT HEX 8-32 BRASS             |                 |                 |
| 17.        | 803-058C        | NUT WING 5/16-18               |                 |                 |
| 18.        | 803-088C        | NUT HEX LOCK 1/4-20 FLG        |                 |                 |
| 19.        | 804-003C        | WASHER FLAT #8 BRASS           |                 |                 |
| 20.        | 804-007C        | WASHER FLAT 1/4 SAE PLT        |                 |                 |
| 21.        | 804-044C        | WASHER MACH 1.38 X .876 X .048 |                 |                 |
| 22.        | 805-019C        | PIN COTTER 5/32 X 1 PLT        |                 |                 |
| 23.        | 817-026C        | DRIVE SPROCKET HANGER BEARING  |                 |                 |
| 24.        | 819-086C        | NAME PLATE ADJ. GUIDE SHORT    |                 |                 |
| 25.        | 890-349C        | 3/8 SHAFT LOCKING COLLAR       |                 |                 |

# Hydraulic Arrangement

Applies to PS2096



21447

## Hydraulic Arrangement

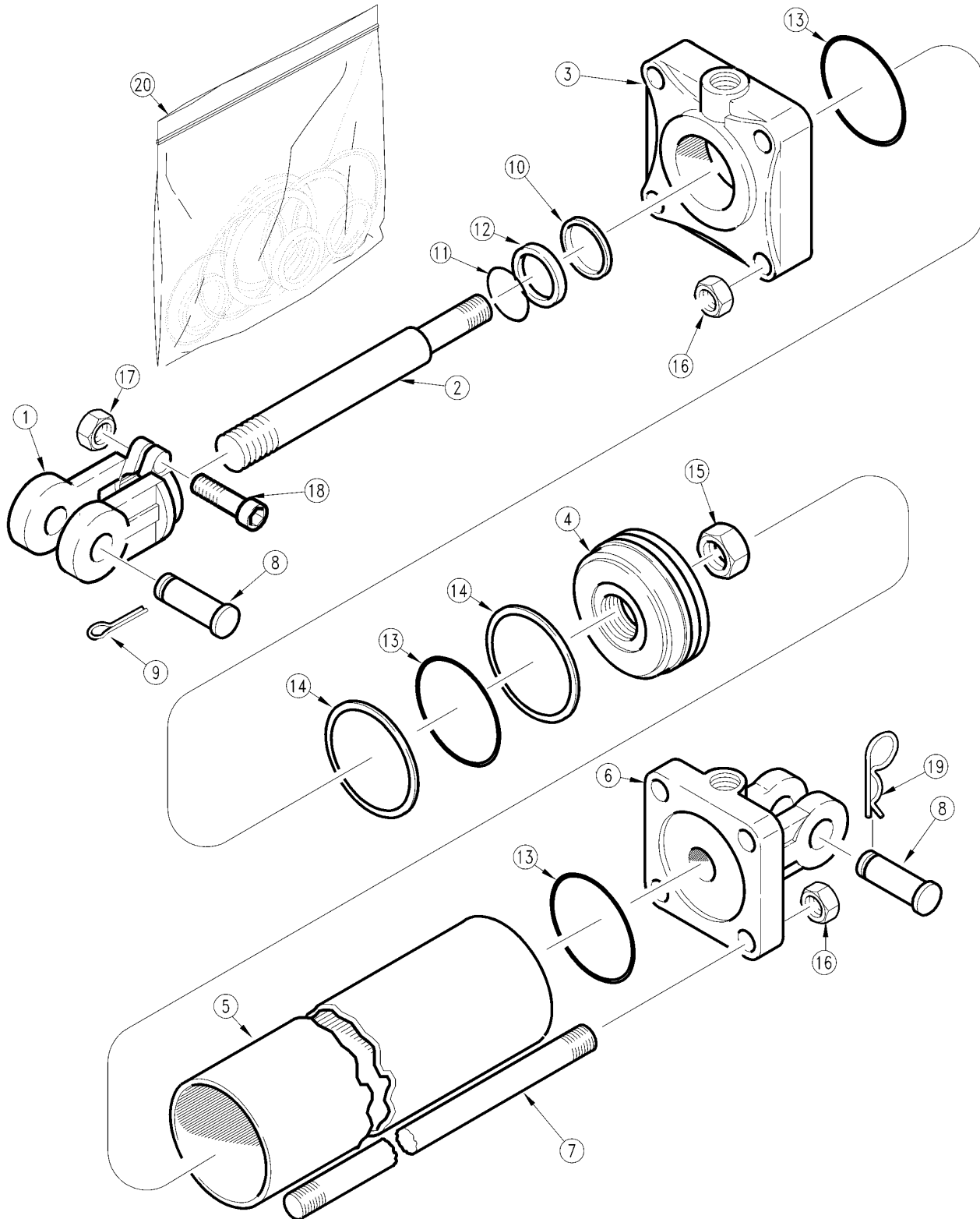
---

### Applies to PS2096

| Ref | Part No. | Part Description               | Comments | Revision |
|-----|----------|--------------------------------|----------|----------|
|     | dwg21447 | Drawing Image Number           |          |          |
| 1.  | 803-014C | NUT HEX 3/8-16 PLT             |          |          |
| 2.  | 805-017C | PIN COTTER 3/16 X 1 3/4 PLT    |          |          |
| 3.  | 805-088C | PIN, HAIR COTTER 3/16 WIRE DIA |          |          |
| 4.  | 805-159C | PIN CLEVIS 1 X 3 1/8 GR5 PLT   |          |          |
| 5.  | 807-023C | SPRING HOSE LOOP               |          |          |
| 6.  | 810-001C | CYL 4X14X1.25 ROD (TIE)NO PINS |          |          |
| 7.  | 810-076C | VALVE BALL 3/8 NPT 90 DEGREES  |          |          |
| 8.  | 811-134C | EL 9/16 MJIC 1/2MNPT           |          |          |
| 9.  | 811-151C | AD 9/16MJIC 3/8MNPT            |          |          |
| 10. | 811-161C | ORAD 3/32 1/2FNPT 1/2MNPT      |          |          |
| 11. | 811-213C | EL 3/8MNPT 1/2MNPT             |          |          |
| 12. | 811-394C | CP 3/4FORB MALE QD             |          |          |
| 13. | 811-789C | HH3/8R2 096 9/16FJIC 3/4MORB   |          |          |

# Hydraulic Cylinder 810-001C

Applies to PS2096



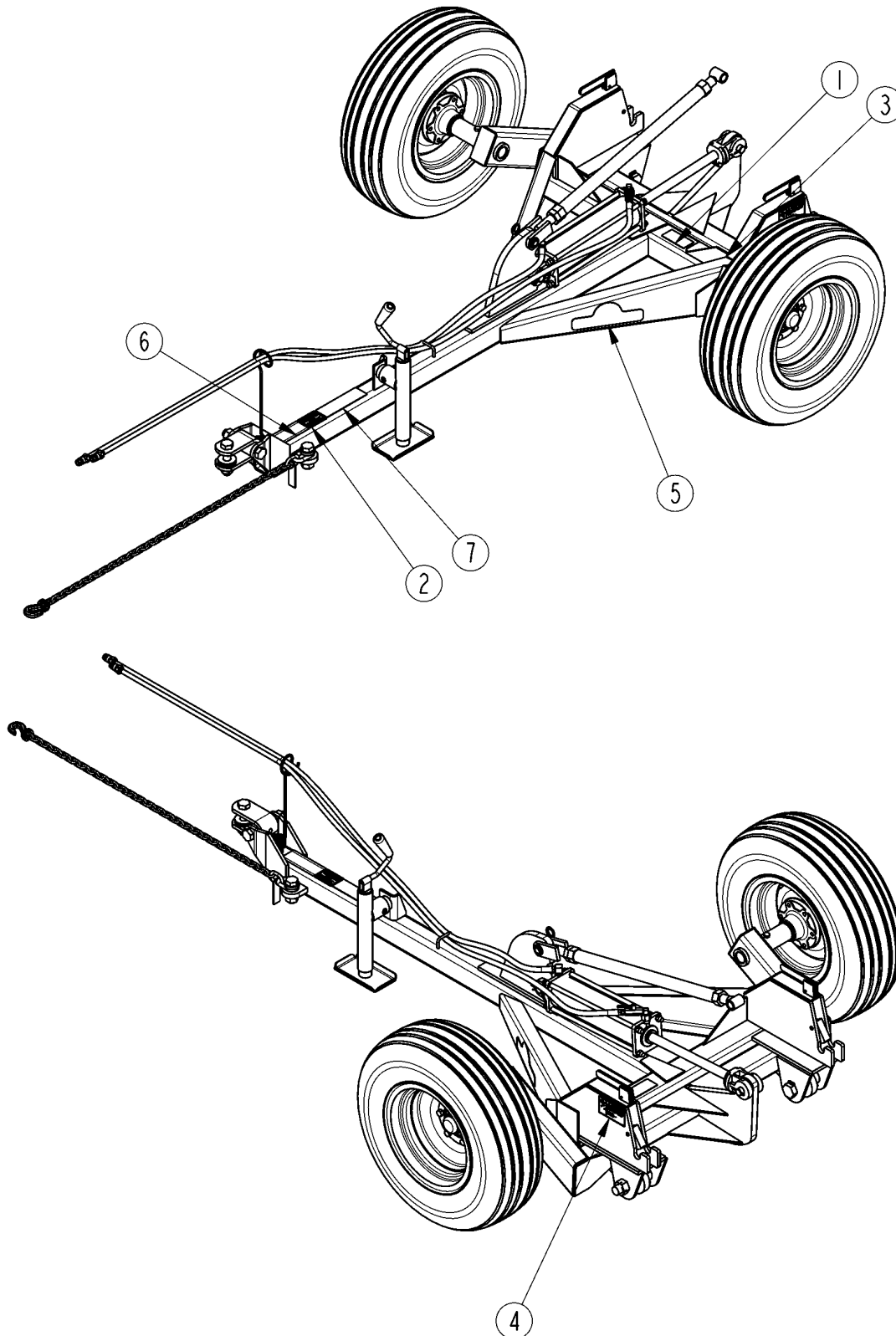
21451

**Hydraulic Cylinder 810-001C****Applies to PS2096**

| Ref | Part No. | Part Description                    | Comments                 | Revision |
|-----|----------|-------------------------------------|--------------------------|----------|
|     | dwg21451 | Drawing Image Number                |                          |          |
|     | 810-001C | CYL 4X14X1.25 ROD (TIE)NO PINS<br>* |                          |          |
| 1.  | 1M6016   | MW CLEVIS, STD DUTY W/BUSHINGS      |                          |          |
| 2.  | 2M6474   | MW ROD 1-1/4 DIA X 14 STROKE        |                          |          |
| 3.  | 3R5708   | MW HEAD                             |                          |          |
| 4.  | 4M6108   | MW PISTON                           |                          |          |
| 5.  | 5M6122   | MW TUBE 4 X 14 CYLINDER             |                          |          |
| 6.  | 6R5140   | BASE MIDWAY                         |                          |          |
| 7.  | 7M6322   | MW TIE ROD 4 X 14 CYLINDER          |                          |          |
| 8.  | 805-159C | PIN CLEVIS 1 X 3 1/8 GR5 PLT        | Not Included W/ Cylinder |          |
| 9.  | 805-017C | PIN COTTER 3/16 X 1 3/4 PLT         | Not Included W/ Cylinder |          |
| 10. | N/A      | MW WIPER                            | Included with Cylinder   |          |
| 11. | N/A      | MIDWAY O-RING                       | Included with Cylinder   |          |
| 12. | N/A      | MIDWAY BACKUP RING                  | Included with Cylinder   |          |
| 13. | N/A      | MW O-RING TUBE                      | Included with Cylinder   |          |
| 14. | N/A      | MW BACK UP TUBE                     | Included with Cylinder   |          |
| 15. | 2A0024   | MW PISTON NUT 1-14                  |                          |          |
| 16. | 2A0018   | MW TIE ROD NUT                      |                          |          |
| 17. | 2A0012   | MW NUT CLEVIS & TIE ROD             |                          |          |
| 18. | 802-023C | HHCS 3/8-16X1 3/4 GR5               |                          |          |
| 19. | 805-088C | PIN, HAIR COTTER 3/16 WIRE DIA      | Not Included W/ Cylinder |          |
| 20. | 810-013C | CYL SEAL KIT 4 X 14 MW 5A6102       |                          |          |

## Label Placement (Part 2)

Applies to PS2096



21450



***Label Placement (Part 2)***

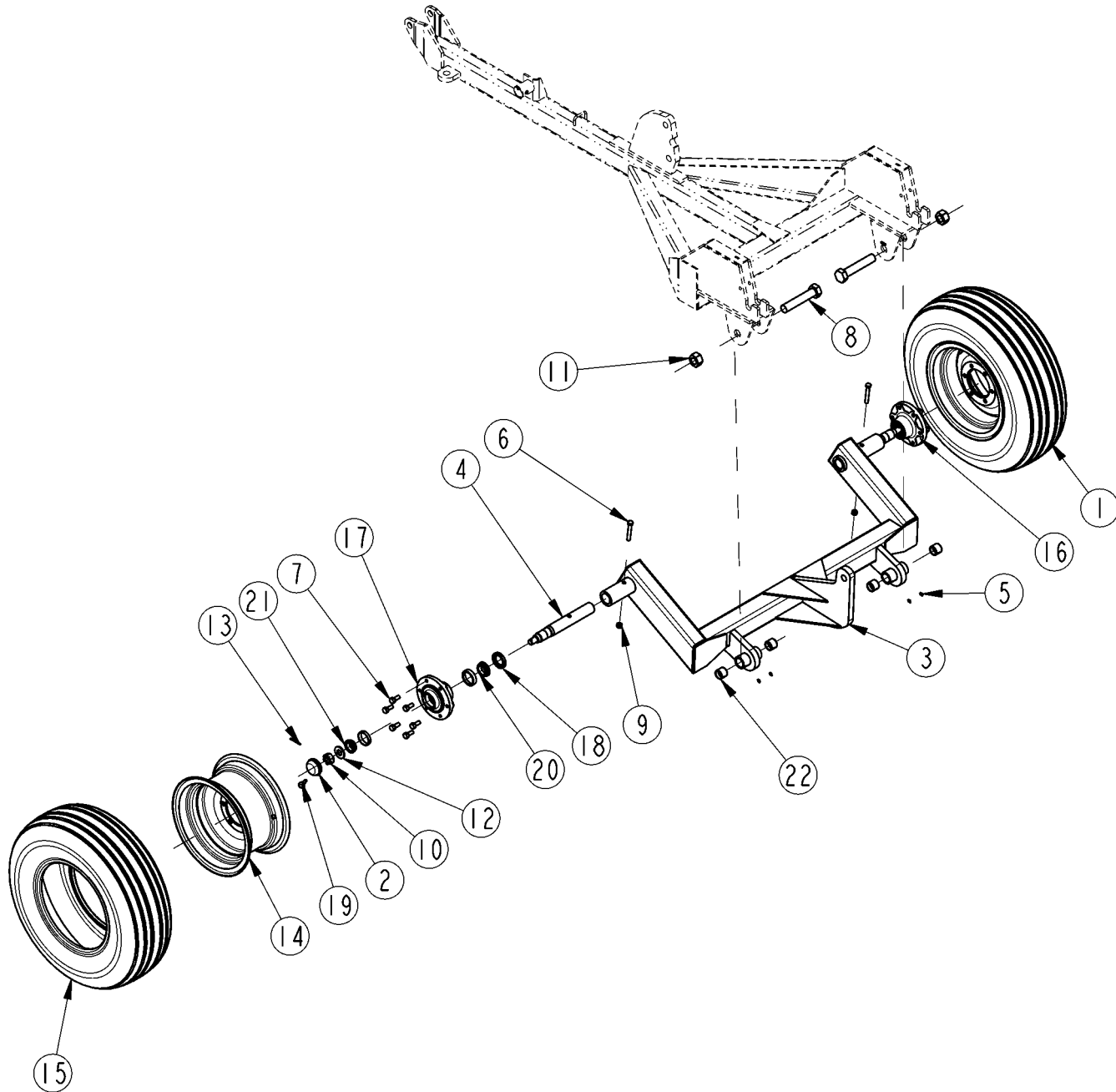
---

**Applies to PS2096**

| <b>Ref</b> | <b>Part No.</b> | <b>Part Description</b>        | <b>Comments</b> | <b>Revision</b> |
|------------|-----------------|--------------------------------|-----------------|-----------------|
|            | dwg21450        | Drawing Image Number           |                 |                 |
| 1.         | 818-336C        | DECAL CAUTION CYLINDER LOCK PS |                 |                 |
| 2.         | 818-337C        | DECAL WARNING 20 MPH TRANS SML |                 |                 |
| 3.         | 818-714C        | DECAL DANGER CRUSHING TWO IMP  |                 |                 |
| 4.         | 818-866C        | DECAL CAUTION PINCH POINT HAZ. |                 |                 |
| 5.         | 818-892C        | DECAL LP W/TREE 10" - 3 COLOR  |                 |                 |
| 6.         | 838-094C        | DECAL WARNING HYD PRESS LONG   |                 |                 |
| 7.         | 838-386C        | DECAL NEGATIVE TONGUE WEIGHT   |                 |                 |

# Transport Axle

Applies to PS2096



21444

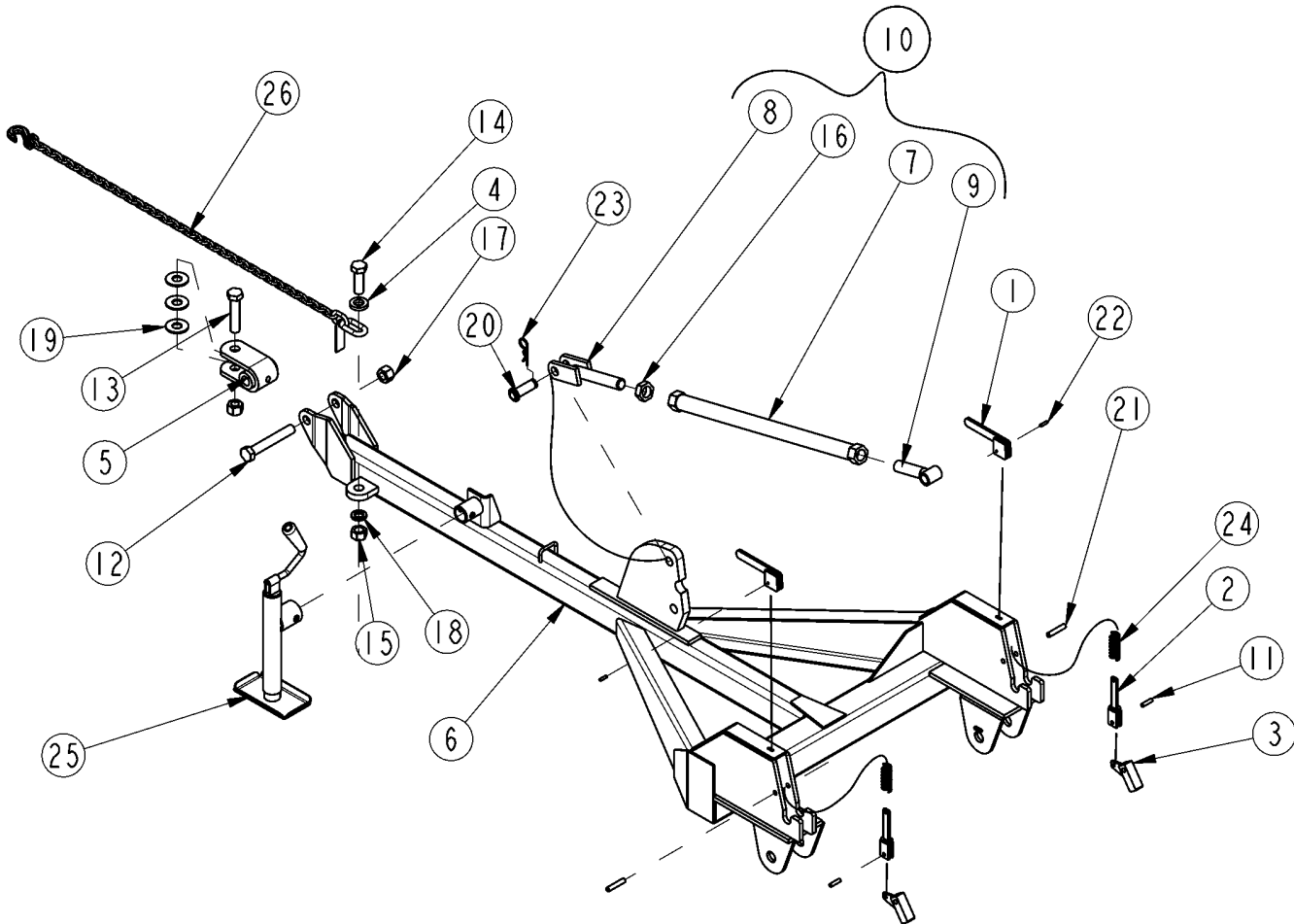
## Transport Axle

### Applies to PS2096

| Ref | Part No. | Part Description               | Comments | Revision |
|-----|----------|--------------------------------|----------|----------|
|     | dwg21444 | Drawing Image Number           |          |          |
| 1.  | 102-006K | TIRE/WHEEL ASSY 9.5LX15 12 PLY |          |          |
| 2.  | 200-001D | HUB GREASE CAP                 |          |          |
| 3.  | 313-335H | PULL HITCH AXLE WELDMENT       |          |          |
| 4.  | 313-610D | AXLE SPINDLE SHAFT             |          |          |
| 5.  | 800-080C | GREASE ZERK 1/4-28 THD FORMING |          |          |
| 6.  | 802-099C | HHCS 1/2-13X3 1/4 GR5          |          |          |
| 7.  | 802-104C | BOLT WHEEL 1/2-20X1 90-DEG     |          |          |
| 8.  | 802-717C | HHCS 1 1/4-7X 6 1/2 GR5 PLT    |          |          |
| 9.  | 803-019C | NUT LOCK 1/2-13 PLT            |          |          |
| 10. | 803-029C | NUT HEX SLOTTED 7/8-14 PLT     |          |          |
| 11. | 803-081C | NUT HEX 1 1/4-7 NYLON INSERT   |          |          |
| 12. | 804-055C | WASHER SPINDLE - 7/8           |          |          |
| 13. | 805-246C | PIN COTTER 5/32 X 1 3/4 LG     |          |          |
| 14. | 814-008C | WHEEL 8 X 15 X 6 BOLT          |          |          |
| 15. | 814-009C | TIRE 9.5L X 15-12 PLY-TUBELESS |          |          |
| 16. | 815-077C | HUB 6 BOLT 4 5/8 PILOT 3600 LB |          |          |
| 17. | 815-082C | HUB 6 BOLT 4 5/8 PILOT W/ CUPS |          |          |
| 18. | 816-011C | SEAL 2.56X1.625X.438 CR16289   |          |          |
| 19. | 816-035C | VALVE STEM TR415X.625X1 1/4 LG |          |          |
| 20. | 822-018C | BEARING CONE LM-29749          |          |          |
| 21. | 822-021C | BEARING CONE LM-67048          |          |          |
| 22. | 890-340C | BUSH1 1/2ODX1 1/4IDX1 1/4LG GG |          |          |

# Transport Frame

Applies to PS2096



21433

## Transport Frame

### Applies to PS2096

| Ref | Part No. | Part Description               | Comments | Revision |
|-----|----------|--------------------------------|----------|----------|
|     | dwg21433 | Drawing Image Number           |          |          |
| 1.  | 124-016H | LOCK HANDLE WELDMENT           |          |          |
| 2.  | 124-017H | SPRING LEVER WELDMENT          |          |          |
| 3.  | 124-018H | PIN LOCK WELDMENT              |          |          |
| 4.  | 124-116D | PULL HITCH SAFETY CHAIN WASHER |          |          |
| 5.  | 312-421H | CLEVIS WELDMENT                |          |          |
| 6.  | 313-320H | PULL HITCH FRAME WELD          |          |          |
| 7.  | 313-325H | CONNECTING TUBE ASSY           |          |          |
| 8.  | 313-326H | ADJUST CLEVIS WELD             |          |          |
| 9.  | 313-327H | UPPER CONNECT TUBE WELD        |          |          |
| 10. | 313-328K | UPPER ADJUSTABLE LINK          |          |          |
| 11. | 313-629D | PIN LOCK PIVOT                 |          |          |
| 12. | 802-074C | HHCS 1-8X6 1/2 GR5             |          |          |
| 13. | 802-098C | HHCS 1-8X4 1/2 GR5             |          |          |
| 14. | 802-181C | HHCS 1-8X4 GR5 FTHD            |          |          |
| 15. | 803-031C | NUT HEX 1-8 PLT                |          |          |
| 16. | 803-032C | NUT HEX JAM 1 1/4-7 PLT        |          |          |
| 17. | 803-038C | NUT HEX 1-8 NYLON INSERT PLT   |          |          |
| 18. | 804-027C | WASHER LOCK SPRING 1 PLT       |          |          |
| 19. | 804-028C | WASHER FLAT 1 USS PLT          |          |          |
| 20. | 805-004C | PIN CLEVIS 1 X 2 3/4 USABLE LG |          |          |
| 21. | 805-037C | PIN SPIROL 1/2X2 1/2 PLAIN     |          |          |
| 22. | 805-044C | PIN ROLL 1/4 X 1 PLATED        |          |          |
| 23. | 805-088C | PIN, HAIR COTTER 3/16 WIRE DIA |          |          |
| 24. | 807-007C | SPRING LEVER                   |          |          |
| 25. | 890-118C | SCREW JACK 2000# 14-24 TOP-WND |          |          |
| 26. | 890-182C | SAFETY CHAIN 10000 LB          |          |          |



# Part Number Index

The Part Number Index is a numeric index of all part numbers included in this manual. The index shows what page(s) the part is used on.

| Part Number | Page          | Part Number | Page           | Part Number | Page               | Part Number | Page               |
|-------------|---------------|-------------|----------------|-------------|--------------------|-------------|--------------------|
| 102-006K    | 59            | 313-182H    | 29, 41, 43     | 801-024C    | 13, 15, 17         | 803-194C    | 13, 15, 17, 19,    |
| 109-069D    | 25, 27        | 313-186D    | 13             | 801-035C    | 21, 23, 25, 33,    |             | 21, 23, 25, 29,    |
| 123-004D    | 7, 29, 41, 43 | 313-251H    | 15             |             | 39, 51             |             | 39, 41, 43         |
| 123-050H    | 49, 51        | 313-252H    | 13, 15, 17     | 802-004C    | 21, 23             | 803-209C    | 13                 |
| 123-113D    | 49, 51        | 313-253H    | 7              | 802-005C    | 7                  | 803-255C    | 7                  |
| 123-116D    | 49, 51        | 313-254S    | 7              | 802-007C    | 13, 15, 17, 23,    | 804-002C    | 25, 27             |
| 123-356D    | 33            | 313-255S    | 9              |             | 35, 37, 39         | 804-003C    | 25, 27, 49, 51     |
| 123-410D    | 49, 51        | 313-256H    | 9              | 802-010C    | 17                 | 804-004C    | 13, 15, 17, 33, 39 |
| 123-476H    | 49, 51        | 313-269D    | 19             | 802-013C    | 19                 | 804-006C    | 27                 |
| 124-016H    | 61            | 313-280H    | 17             | 802-014C    | 25, 27             | 804-007C    | 19, 51             |
| 124-017H    | 61            | 313-284H    | 33, 39, 51     | 802-017C    | 19                 | 804-009C    | 13, 15, 17, 23,    |
| 124-018H    | 61            | 313-285H    | 33, 39         | 802-022C    | 9, 11              |             | 25, 27, 35, 37, 39 |
| 124-116D    | 61            | 313-286L    | 35             | 802-023C    | 55                 | 804-010C    | 13, 15, 17, 25,    |
| 176-006D    | 21, 23        | 313-307H    | 15, 21         | 802-032C    | 21, 23             |             | 27, 35, 37         |
| 176-031V    | 21, 23        | 313-315H    | 7, 9           | 802-034C    | 9                  | 804-012C    | 11, 25, 27         |
| 179-021D    | 17            | 313-317K    | 41, 43         | 802-038C    | 9                  | 804-013C    | 7, 9, 11, 15, 19,  |
| 179-022D    | 17            | 313-318H    | 41, 43         | 802-039C    | 7                  |             | 25, 27             |
| 179-025D    | 15            | 313-319L    | 37             | 802-074C    | 61                 | 804-014C    | 9                  |
| 1M6016      | 55            | 313-320H    | 61             | 802-078C    | 13, 17, 33         | 804-015C    | 7, 9, 11, 13, 15,  |
| 200-001D    | 59            | 313-325H    | 61             | 802-082C    | 7                  |             | 17, 21, 23, 29     |
| 202-002H    | 13, 15, 17    | 313-326H    | 61             | 802-091C    | 7                  | 804-016C    | 23, 29, 41, 43     |
| 2A0012      | 55            | 313-327H    | 61             | 802-092C    | 49, 51             | 804-019C    | 25, 27             |
| 2A0018      | 55            | 313-328K    | 61             | 802-098C    | 61                 | 804-021C    | 29                 |
| 2A0024      | 55            | 313-335H    | 59             | 802-099C    | 59                 | 804-022C    | 29, 41, 43         |
| 2M6474      | 55            | 313-337A    | 47             | 802-104C    | 59                 | 804-027C    | 61                 |
| 300-202S    | 7             | 313-341H    | 13, 17         | 802-143C    | 7                  | 804-028C    | 61                 |
| 300-429D    | 7             | 313-345H    | 23             | 802-148C    | 21, 23, 33, 39,    | 804-029C    | 9                  |
| 300-431D    | 7             | 313-423D    | 21             |             | 49, 51             | 804-031C    | 21, 23             |
| 308-004S    | 25, 27        | 313-425D    | 21, 23, 27     | 802-155C    | 11                 | 804-036C    | 13, 17             |
| 308-015D    | 25, 27        | 313-441D    | 15             | 802-159C    | 15                 | 804-041C    | 9                  |
| 308-022D    | 21, 23        | 313-475D    | 13, 17         | 802-167C    | 13, 15, 17         | 804-044C    | 39, 51             |
| 308-024H    | 29            | 313-499D    | 25             | 802-181C    | 61                 | 804-046C    | 33, 39             |
| 308-036S    | 21, 23        | 313-500D    | 25             | 802-196C    | 25, 27, 29, 41, 43 | 804-055C    | 59                 |
| 308-041K    | 29            | 313-501D    | 25             | 802-224C    | 13, 15, 17         | 804-056C    | 13, 15, 17         |
| 308-107H    | 29, 41, 43    | 313-506D    | 33, 39, 49, 51 | 802-240C    | 7, 29              | 804-075C    | 7                  |
| 308-128S    | 29, 41, 43    | 313-525D    | 35             | 802-257C    | 39, 51             | 805-004C    | 61                 |
| 308-180D    | 11            | 313-536D    | 35, 37         | 802-258C    | 13, 15, 17         | 805-010C    | 9                  |
| 308-193D    | 13, 15, 17    | 313-542D    | 15             | 802-282C    | 13, 17             | 805-015C    | 7                  |
| 308-230H    | 39, 51        | 313-550D    | 37, 39         | 802-315C    | 9                  | 805-016C    | 25, 27             |
| 308-253D    | 21, 23        | 313-556D    | 7              | 802-370C    | 13, 15, 17         | 805-017C    | 53, 55             |
| 308-306D    | 27            | 313-610D    | 59             | 802-390C    | 35, 37             | 805-019C    | 49, 51             |
| 308-334H    | 25, 27        | 313-629D    | 61             | 802-411C    | 13                 | 805-037C    | 61                 |
| 308-360D    | 7             | 313-631D    | 33             | 802-630C    | 19                 | 805-044C    | 61                 |
| 308-392D    | 13, 15        | 313-643D    | 13, 17         | 802-717C    | 59                 | 805-064C    | 29, 41, 43         |
| 308-393D    | 13, 15        | 313-644D    | 23             | 803-001C    | 13, 15, 17, 33, 39 | 805-088C    | 53, 55, 61         |
| 308-394D    | 13, 15, 17    | 313-645D    | 13, 17         | 803-006C    | 27, 33, 49, 51     | 805-159C    | 53, 55             |
| 308-396D    | 21            | 313-647D    | 23             | 803-007C    | 13, 15, 17, 33     | 805-246C    | 59                 |
| 312-421H    | 61            | 313-672D    | 13             | 803-008C    | 13, 15, 17, 19,    | 806-010C    | 11                 |
| 313-006H    | 7             | 313-673D    | 13             |             | 23, 25, 27, 35,    | 807-007C    | 61                 |
| 313-009H    | 9             | 3804-009C   | 19             |             | 37, 39             | 807-023C    | 53                 |
| 313-014H    | 9             | 3R5708      | 55             | 803-011C    | 17, 19             | 807-044C    | 11                 |
| 313-015D    | 9             | 4M6108      | 55             | 803-014C    | 7, 9, 11, 15, 19,  | 807-050C    | 9                  |
| 313-015H    | 29, 41, 43    | 5M6122      | 55             |             | 53                 | 808-062C    | 43                 |
| 313-018D    | 7             | 6R5140      | 55             | 803-015C    | 9                  | 808-159C    | 7, 29, 41          |
| 313-019H    | 13            | 7M6322      | 55             | 803-016C    | 25, 27             | 808-247C    | 23                 |
| 313-021S    | 29, 41, 43    | 800-001C    | 7              | 803-019C    | 7, 9, 29, 41, 59   | 809-070C    | 41                 |
| 313-024S    | 13            | 800-004C    | 21, 23         | 803-020C    | 7, 11, 13, 15, 17, | 809-078C    | 29                 |
| 313-027H    | 11            | 800-005C    | 21, 23         |             | 43                 | 809-115C    | 41                 |
| 313-028A    | 11            | 800-028C    | 39, 51         | 803-021C    | 29, 41, 43         | 809-138C    | 29, 41             |
| 313-029D    | 29, 41, 43    | 800-029C    | 33, 35         | 803-029C    | 59                 | 809-151C    | 29                 |
| 313-035D    | 9             | 800-048C    | 15             | 803-031C    | 61                 | 809-223C    | 43                 |
| 313-049D    | 23            | 800-070C    | 29, 41, 43     | 803-032C    | 61                 | 809-224C    | 43                 |
| 313-050D    | 9             | 800-080C    | 59             | 803-035C    | 25, 27, 49, 51     | 810-001C    | 53, 55             |
| 313-054D    | 27            | 800-101C    | 33, 39         | 803-038C    | 9, 61              | 810-013C    | 55                 |
| 313-055D    | 27            | 800-108C    | 23             | 803-058C    | 49, 51             | 810-076C    | 53                 |
| 313-056D    | 25, 27        | 800-316C    | 9              | 803-081C    | 59                 | 811-134C    | 53                 |
| 313-060D    | 11            | 801-001C    | 25, 27, 49, 51 | 803-084C    | 13, 15, 17         | 811-151C    | 53                 |
| 313-063S    | 9             | 801-003C    | 33, 39         | 803-088C    | 19, 21, 27, 39, 51 | 811-161C    | 53                 |
| 313-104S    | 13            | 801-018C    | 19             | 803-177C    | 13                 | 811-213C    | 53                 |
| 313-168D    | 7             | 801-021C    | 13, 15, 17     |             |                    | 811-394C    | 53                 |



## Part Number Index (continued)

| Part Number | Page           | Part Number | Page |
|-------------|----------------|-------------|------|
| 811-789C    | 53             | dwg20746    | 7    |
| 812-056C    | 7              | dwg20747    | 11   |
| 812-133C    | 9              | dwg20748    | 9    |
| 814-008C    | 59             | dwg20749    | 15   |
| 814-009C    | 59             | dwg20750    | 21   |
| 815-077C    | 59             | dwg20751    | 27   |
| 815-082C    | 59             | dwg20752    | 19   |
| 816-004C    | 23             | dwg20753    | 29   |
| 816-011C    | 59             | dwg20754    | 31   |
| 816-035C    | 59             | dwg20755    | 39   |
| 816-112C    | 33, 39         | dwg20756    | 49   |
| 816-113C    | 33, 39         | dwg20757    | 37   |
| 816-363C    | 29             | dwg20758    | 41   |
| 816-374C    | 43             | dwg20759    | 45   |
| 816-375C    | 41             | dwg21296    | 17   |
| 816-408C    | 29             | dwg21297    | 23   |
| 816-504C    | 7              | dwg21298    | 25   |
| 817-008C    | 39             | dwg21433    | 61   |
| 817-009C    | 33, 39         | dwg21444    | 59   |
| 817-010C    | 33, 39         | dwg21447    | 53   |
| 817-025C    | 29, 41, 43     | dwg21450    | 57   |
| 817-026C    | 39, 51         | dwg21451    | 55   |
| 817-033C    | 13, 15, 17     | dwg25987    | 13   |
| 817-094C    | 21, 23         | N/A         | 55   |
| 817-259C    | 29, 41, 43     |             |      |
| 817-443C    | 15, 17         |             |      |
| 817-467C    | 13, 15, 17     |             |      |
| 817-504C    | 33             |             |      |
| 817-505C    | 19             |             |      |
| 817-506C    | 19             |             |      |
| 818-055C    | 19, 31, 45     |             |      |
| 818-190C    | 31             |             |      |
| 818-229C    | 31, 47         |             |      |
| 818-230C    | 31, 45         |             |      |
| 818-336C    | 57             |             |      |
| 818-337C    | 57             |             |      |
| 818-543C    | 31, 45, 47     |             |      |
| 818-714C    | 57             |             |      |
| 818-866C    | 57             |             |      |
| 818-869C    | 31             |             |      |
| 818-890C    | 31, 45         |             |      |
| 818-892C    | 57             |             |      |
| 819-086C    | 25, 27, 49, 51 |             |      |
| 822-004C    | 7              |             |      |
| 822-018C    | 59             |             |      |
| 822-021C    | 59             |             |      |
| 822-040C    | 13, 15, 17     |             |      |
| 822-041C    | 13, 15, 17     |             |      |
| 822-059C    | 21, 23         |             |      |
| 822-067C    | 41, 43         |             |      |
| 822-085C    | 9              |             |      |
| 838-094C    | 57             |             |      |
| 838-111C    | 31, 45, 47     |             |      |
| 838-301C    | 47             |             |      |
| 838-334C    | 31             |             |      |
| 838-340C    | 45, 47         |             |      |
| 838-372C    | 45, 47         |             |      |
| 838-386C    | 57             |             |      |
| 890-118C    | 61             |             |      |
| 890-153C    | 19, 39         |             |      |
| 890-182C    | 61             |             |      |
| 890-340C    | 59             |             |      |
| 890-349C    | 33, 39, 51     |             |      |
| 890-350C    | 21, 23, 25     |             |      |
| 890-595C    | 21, 23         |             |      |
| 890-789C    | 7              |             |      |
| dwg20626    | 33             |             |      |
| dwg20630    | 47             |             |      |
| dwg20632    | 35             |             |      |
| dwg20633    | 43             |             |      |
| dwg20638    | 51             |             |      |



Great Plains Manufacturing, Inc.

Corporate Office: P.O. Box 5060  
Salina, Kansas 67402-5060 USA

[www.landpride.com](http://www.landpride.com)



## Free Manuals Download Website

<http://myh66.com>

<http://usermanuals.us>

<http://www.somanuals.com>

<http://www.4manuals.cc>

<http://www.manual-lib.com>

<http://www.404manual.com>

<http://www.luxmanual.com>

<http://aubethermostatmanual.com>

Golf course search by state

<http://golfingnear.com>

Email search by domain

<http://emailbydomain.com>

Auto manuals search

<http://auto.somanuals.com>

TV manuals search

<http://tv.somanuals.com>