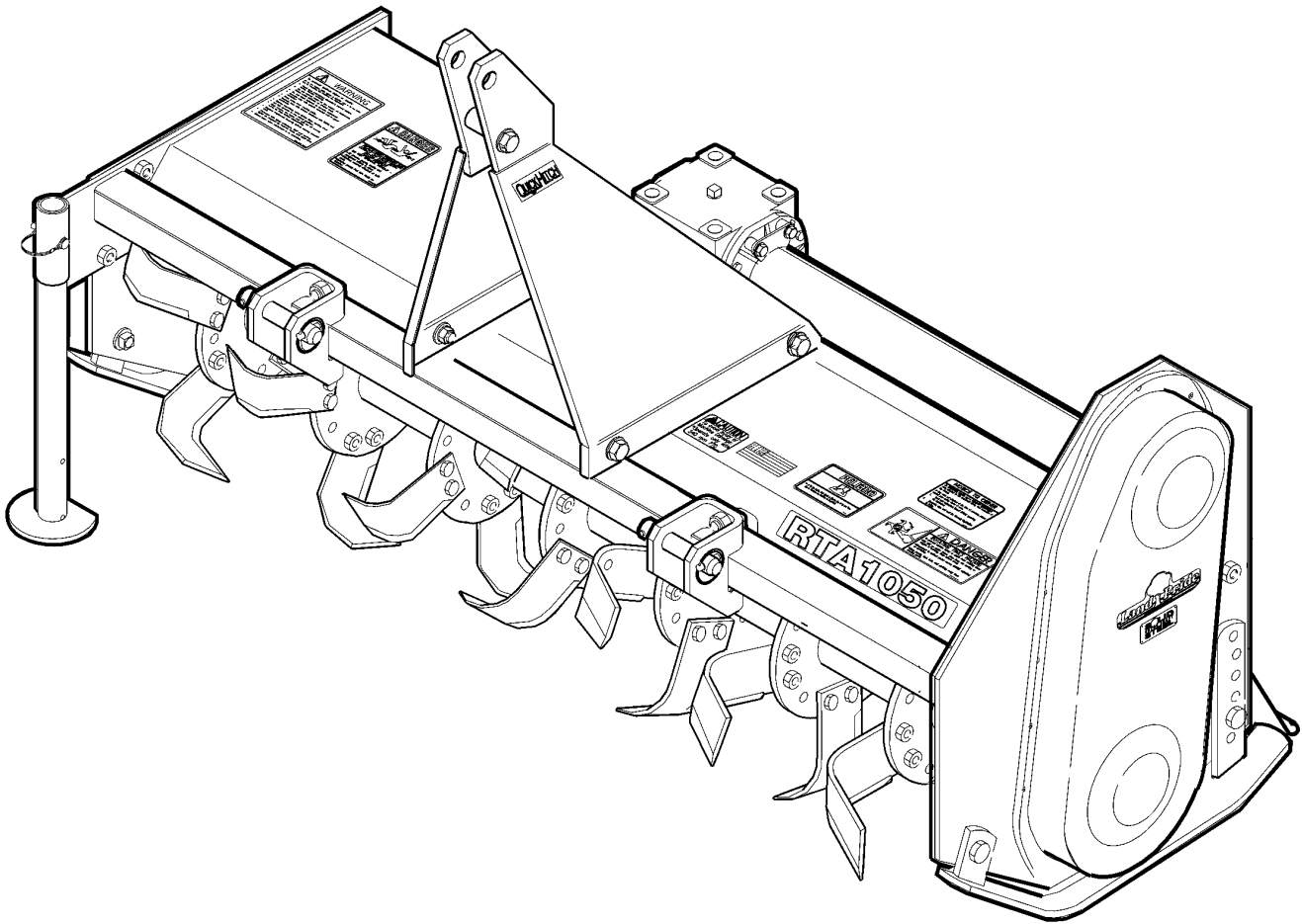


Rotary Tiller

RTA10, RTA15, RTA25, RTR25 & RTA35 Series



22195

311-251P Parts Manual



Read the Operator's manual entirely. When you see this symbol, the subsequent instructions and warnings are serious - follow without exception. Your life and the lives of others depend on it!

© Copyright 2009 Printed 02/11/09

Cover photo may show optional equipment not supplied with standard unit.





Table of Contents

Section 1: Introduction.....6
 Using This Manual.....6
 Manual Replacement Information.....6
 Manual Revisions.....6
 Touch-up Paint.....6
 Hardware Legend.....7
 Replacement Hardware.....7
 Serial Numbers.....7
 Part Number Service Coding.....7

RTA10 SERIES

Section 2: Frames.....8
 Frame.....8
Section 3: Drives.....12
 Drive.....12
 Driveline (826-014C) Eurocardan (S/N 246674-).....16
 Driveline (826-014C) Walterscheid (S/N 246674-).....18
 Driveline (826-015C) Eurocardan.....20
 Driveline (826-015C) Walterscheid.....22
 Driveline (826-257C) EC (S/N 426012+).....24
 Driveline (826-257C) Eurocardan (S/N 246675 to 426011).....26
 Driveline (826-257C) Walterscheid (S/N 246675+).....28
 Driveline Slip Clutch (053314) Walterscheid.....30
 Driveline Slip Clutch (1384603) EC.....32
Section 4: Gearboxes.....34
 EC Gearbox (826-299C) (S/N 361706+) RTA1058 (S/N 314974-315293).....34
 Gearbox (826-013C) Comer (S/N +).....36
 Gearbox (826-013C) Curtis.....38
 Gearbox (826-271C) OMNI.....40
Section 5: Labels.....42
 Label Placement.....42

RTA15 SERIES

Section 2: Frames.....44
 Frame.....44
Section 3: Drives.....48
 Drive.....48
 Driveline (826-023C) Eurocardan.....52
 Driveline (826-023C) Walterscheid.....54
 Driveline (826-024C) Eurocardan.....56
 Driveline (826-024C) Walterscheid.....58
 Driveline Slip Clutch (053331) Walterscheid.....60
 Driveline Slip Clutch (1385605) Eurocardan.....62
Section 4: Gearboxes.....64
 Gearbox (826-016C) Comer (S/N 362216- and 469909+).....64

Gearbox (826-300C) EC (S/N 362217 to 469908) RTA1558 (S/N 315213 to 317507).....66
Section 5: Labels.....68
 Label Placement.....68

RTA25 SERIES

Section 2: Frames.....70
 Frame.....70
 Rear Deflector (RTA 2562 Shown) (S/N 395687+).....74
Section 3: Drives.....76
 Drive.....76
 Drive S/N 535196-.....80
 Drive S/N 535197+.....84
 Driveline (826-025C) Eurocardan.....88
 Driveline (826-025C) Walterscheid.....90
 Driveline (826-031C) EC New Shields.....92
 Driveline (826-031C) EC Old Shields.....94
 Driveline (826-031C) Walterscheid.....96
 Driveline Slip Clutch (1465603) Eurocardan.....98
 Driveline Slip Clutch (318851) Walterscheid.....100
 Gearbox 826-537C.....102
 Gearbox 826-542C.....104
 Gearbox (311-146S) (311-147S) (311-148S) (311-149S) (311-150S) Comer.....106
 Gearbox MR 826-426C, 826-427C & 826-428C.....108
Section 4: Labels.....110
 Label Placement.....110
Section 5: Options.....112
 Rear Deflector Down Pressure Kit.....112

RTA35 SERIES

Section 2: Frames.....114
 Frame.....114
 Rear Deflector (RTA3568 Shown) (S/N 395687+).....118
Section 3: Drives.....120
 Drive.....120
 Driveline (826-032C) Eurocardan.....124
 Driveline (826-032C) Walterscheid.....126
 Driveline Slip Clutch (1465603) Eurocardan.....128
 Driveline Slip Clutch (1466607) Eurocardan.....130
 Driveline Slip Clutch (321166) Walterscheid.....132
 Gearbox (826-048C) (826-049C) (826-050C) (826-051C) Comer.....134
 Gearbox (826-430C) MR (S/N 415755 to 524493-) Rotis (S/N 524494+).....136
Section 4: Labels.....138
 Label Placement.....138

© Copyright 2009. All rights reserved.

Land Pride provides this publication "as is" without warranty of any kind, either expressed or implied. While every precaution has been taken in the preparation of this manual, Land Pride assumes no responsibility for errors or omissions. Neither is any liability assumed for damages resulting from the use of the information contained herein. Land Pride reserves the right to revise and improve its products as it sees fit. This publication describes the state of this product at the time of its publication, and may not reflect the product in the future. The illustrations in this manual are not intended for safe and proper assembly or disassembly of equipment. The illustrations are intended for ordering parts only.

Land Pride is registered trademark.

All other brands and product names are trademarks or registered trademarks of their respective holders.

Printed in the United States of America.



Table of Contents (continued)

Section 5: Options.....	140
Rear Deflector Down Pressure Kit.....	140
 RTR25 SERIES	
Section 2: Frames.....	142
Frame.....	142
Frame.....	144
Hitch And Parking Stand Assembly.....	148
Rear Deflector (RTR2562 Shown)(S/N 395687+).....	150
Section 3: Drives.....	152
Drive.....	152
Drive.....	156
Drive S/N 535196-.....	160
Drive S/N 535197+.....	164
Driveline (826-025C) Eurocardan.....	168
Driveline (826-025C) Walterscheid.....	170
Driveline Slip Clutch (1465603) Eurocardan.....	172
Driveline Slip Clutch (318851) Walterscheid.....	174
Gearbox (311-261S) (311-262S) (311-263S) (311-264S) (311-265S) Comer.....	176
Gearbox 826-549C.....	178
Gearbox 826-550C.....	180
Gearbox MR 826-426C, 826-427C & 826-428C.....	182
Section 4: Labels.....	184
Label Placement.....	184
Section 5: Options.....	186
Rear Deflector Down Pressure Kit.....	186
Part Number Index.....	188



Alphabetized Table of Contents

RTA10 SERIES

D

Drive.....12

Driveline (826-014C) Eurocardan (S/N 246674-).....16

Driveline (826-014C) Walterscheid (S/N 246674-).....18

Driveline (826-015C) Eurocardan.....20

Driveline (826-015C) Walterscheid.....22

Driveline (826-257C) EC (S/N 426012+).....24

Driveline (826-257C) Eurocardan (S/N 246675 to 426011).....26

Driveline (826-257C) Walterscheid (S/N 246675+).....28

Driveline Slip Clutch (053314) Walterscheid.....30

Driveline Slip Clutch (1384603) EC.....32

E

EC Gearbox (826-299C) (S/N 361706+) RTA1058 (S/N 314974-315293).....34

F

Frame.....8

G

Gearbox (826-013C) Comer (S/N +).....36

Gearbox (826-013C) Curtis.....38

Gearbox (826-271C) OMNI.....40

L

Label Placement.....42

RTA15 SERIES

D

Drive.....48

Driveline (826-023C) Eurocardan.....52

Driveline (826-023C) Walterscheid.....54

Driveline (826-024C) Eurocardan.....56

Driveline (826-024C) Walterscheid.....58

Driveline Slip Clutch (053331) Walterscheid.....60

Driveline Slip Clutch (1385605) Eurocardan.....62

F

Frame.....44

G

Gearbox (826-016C) Comer (S/N 362216- and 469909+).....64

Gearbox (826-300C) EC (S/N 362217 to 469908) RTA1558 (S/N 315213 to 317507).....66

L

Label Placement.....68

RTA25 SERIES

D

Drive.....76

Drive S/N 535196-.....80

Drive S/N 535197+.....84

Driveline (826-025C) Eurocardan.....88

Driveline (826-025C) Walterscheid.....90

Driveline (826-031C) EC New Shields.....92

Driveline (826-031C) EC Old Shields.....94

Driveline (826-031C) Walterscheid.....96

Driveline Slip Clutch (1465603) Eurocardan.....98

Driveline Slip Clutch (318851) Walterscheid.....100

F

Frame.....70

G

Gearbox 826-537C.....102

Gearbox 826-542C.....104

Gearbox (311-146S) (311-147S) (311-148S) (311-149S) (311-150S) Comer.....106

Gearbox MR 826-426C, 826-427C & 826-428C.....108

L

Label Placement.....110

R

Rear Deflector (RTA 2562 Shown) (S/N 395687+).....74

Rear Deflector Down Pressure Kit.....112

RTA35 SERIES

D

Drive.....120

Driveline (826-032C) Eurocardan.....124

Driveline (826-032C) Walterscheid.....126

Driveline Slip Clutch (1465603) Eurocardan.....128

Driveline Slip Clutch (1466607) Eurocardan.....130

Driveline Slip Clutch (321166) Walterscheid.....132

F

Frame.....114

G

Gearbox (826-048C) (826-049C) (826-050C) (826-051C) Comer.....134

Gearbox (826-430C) MR (S/N 415755 to 524493-) Rotis (S/N 524494+).....136

L

Label Placement.....138

R

Rear Deflector (RTA3568 Shown) (S/N 395687+).....118

Rear Deflector Down Pressure Kit.....140



Alphabetized Table of Contents (continued)

RTR25 SERIES

D

Drive.....	152
Drive.....	156
Drive S/N 535196-.....	160
Drive S/N 535197+.....	164
Driveline (826-025C) Eurocardan.....	168
Driveline (826-025C) Walterscheid.....	170
Driveline Slip Clutch (1465603) Eurocardan.....	172
Driveline Slip Clutch (318851) Walterscheid.....	174

F

Frame.....	142
Frame.....	144

G

Gearbox (311-261S) (311-262S) (311-263S) (311-264S) (311-265S) Comer.....	176
Gearbox 826-549C.....	178
Gearbox 826-550C.....	180
Gearbox MR 826-426C, 826-427C & 826-428C.....	182

H

Hitch And Parking Stand Assembly.....	148
---------------------------------------	-----

L

Label Placement.....	184
----------------------	-----

R

Rear Deflector (RTR2562 Shown)(S/N 395687+).....	150
Rear Deflector Down Pressure Kit.....	186

General Information

Using This Manual

This manual is divided into sections. The first section contains General Information. The remaining sections divide the machine into segments (i.e. Frames, Drives, Hydraulics, etc.) which illustrate and list all parts. A Parts Number Index is located at the back of the book.

The Land Pride parts in this manual are specially designed for this machine and should be replaced with Land Pride parts only.

The information in this manual is current at time of printing. Some parts may change to assure top performance.

Right-hand and left-hand as used in this manual are determined by facing the direction the machine will travel while in use.

Below is an example of two facing pages from a parts manual. Familiarize yourself with the type of information contained on these pages.

Manual Replacement Information

Replacement manuals are available. Refer to our website at www.landpride.com or e-mail us at lit@landpride.com for additional information. Our website continues to provide the most up-to-date manuals available.

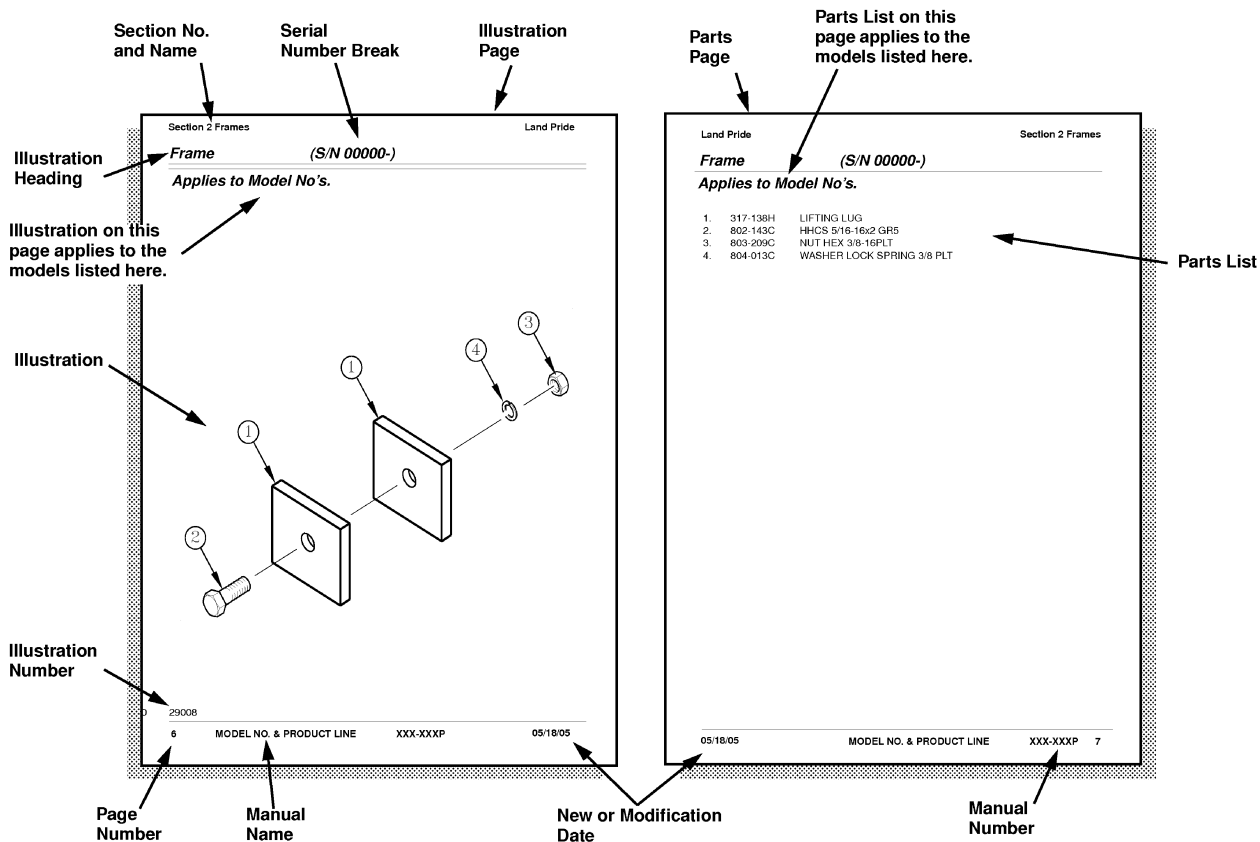
Touch-up Paint

Repaint parts where paint is worn or scratched to prevent rust. Aerosol cans and touch-up bottles with brush applicator are available through your local dealer. Land Pride color descriptions and part numbers are listed below. Also available are quart and gallon size paints. Add QT or GL to end of the Aerosol P/N.

Color	Product ¹	Aerosol	Touch-Up
Gloss Black	LP	821-032C	821-032CTU
Medium Gloss Black	UV	821-053C	821-053CTU
Beige	LP	821-011C	821-011CTU
Green	SLP	821-058C	821-058CTU
Orange	SLP	821-066C	821-066CTU
Red	SLP/UV	821-054C	821-054CTU
Blue	SLP/UV	821-067C	821-067CTU
Dark Green Sparkle	UV	821-055C	821-055CTU
Gondo Forest Green	UV	821-057C	821-057CTU
Brite Yellow ²	UV	821-056C	821-056CTU
Gondo Yellow ³	UV	821-059C	821-059CTU

Notes:

- 1 LP = All Land Pride Products except Utility Vehicles
SLP = Select Land Pride Products that are available in optional Green, Orange, Red, & Blue colors.
UV = Utility Vehicles
- 2 Used on Trekers and (Runabouts with S/N 407628-)
- 3 Used on Gondos and (Runabouts with S/N 407629+)



General Information

Hardware Legend

AR	As Required
BLADE	Blade Bolt
C	Cap Screw
CP	Cotter Pin
CPHSSS	Cup Point Hex Socket Set Screw
CPSHSS	Cup Point Square Head Set Screw
CPSQHSS	Cup Point Square Head Set Screw
CRFCHMS3	Cross Recess Flat Countersunk Head Machine Screw
CRPHMS	Cross Recess Pan Head Machine Screw
CRPHTF	Cross Recess Pan Head Thread Forming
CRRHMS	Cross Recess Round Head Machine Screw
CRTHMS	Cross Recess Truss Head Machine Screw
CSNB	Countersunk Square Neck Bolt
FHMS	Flat Head Machine Screw
FTC	Full Thread Cap Screw
H	Hex Nut
HCLN	Hex Center Lock Nut
HFLCS	Hex Flange Lock Cap Screw
HFS	Hex Flange Screw
HFSLN	Hex Flange Serrated Lock Nut
HFSS	Hex Flange Serrated Screw
HHCS	Hex Head Cap Screw or Metric Bolt
HSBHCS	Hex Socket Button Head Cap Screw
HSFCHCS	Hex Socket Flat Countersunk Head Cap Screw
HSHCS	Hex Socket Head Cap Screw
HSSS	Hex Socket Head Screw
HTLN	Hex Top Lock Nut
HWHCS	Hex Washer Head Cap Screw

HWHMS	Hex Washer Head Machine Screw
HXBHCS	Hex Socket Button Head Cap Screw
J	Hex Jam Nut
JIC	37 Degree Tapered Thread
L	Helical Spring Lock Washer
LUG	Lug Bolt
NFC	National Fine Cap Screw
NPSM	National Pipe Straight Mechanical
NPTF	National Pipe Taper Fuel
P	Wide Plain Washer
PHMS	Pan Head Machine Screw
PLOW	Plow Bolt
RHMS	Round Head Machine Screw
RHSNB	Round Head Square Neck Bolt
SCREW LEVELING	Leveling Screw
SCREW THUMB	Thumb Screw
SCREW WELD	Weld Screw
SFCHMS	Slotted Flat Countersunk Head Machine Screw
SFHMS	Slotted Fillister Head Machine Screw
SP	Special
SP SCREW	Special Screw
SQHSS	Square Head Set Screw
SRHMS	Slotted Round Head Machine Screw
SSS	Socket Set Screw
STCS	Self Tapping Cap Screw
STHMS	Slotted Truss Head Machine Screw
WHEEL	Wheel Studs and Hub Long Bolts
WING	Wing Bolt

Replacement Hardware

The **Hardware Legend** above lists hardware abbreviations used in the parts list. All bolts and nuts are Grade 5 unless otherwise noted. The use of improper grades of hardware can result in personal injury, damage to equipment, or loss of property.

Colored Replacement Parts

Land Pride offers replacement parts in factory standard colors and also on select models in Green, Orange, Red and Blue. Because of the variety of colors available, special attention must be given to the part number to prevent ordering the wrong replacement part.

A suffix number corresponding to one of the colors below must be added at the end of Land Pride's part number when ordering a replacement part with that color.

81 **Green** **83** **Red**
82 **Orange** **84** **Blue**

For example, if you are ordering a replacement part with part number 555-555C and the part you need is red, then add the suffix 83 to the end of the number to make the part number read 555-555C83. Parts ordered without a suffix number will be supplied in factory standard colors.

Black Replacement Parts

Some parts are factory standard black and some must be special ordered black. If your part is special ordered black, a second part number with the additional suffix number 85 on the end will be available. In this situation you must order that part with the suffix number for it to be black. Parts that are factory standard black will not have the suffix number.

Part Number Service Coding

Within the parts list some part numbers are coded for revisions and interchangeability. See notations in revision column.

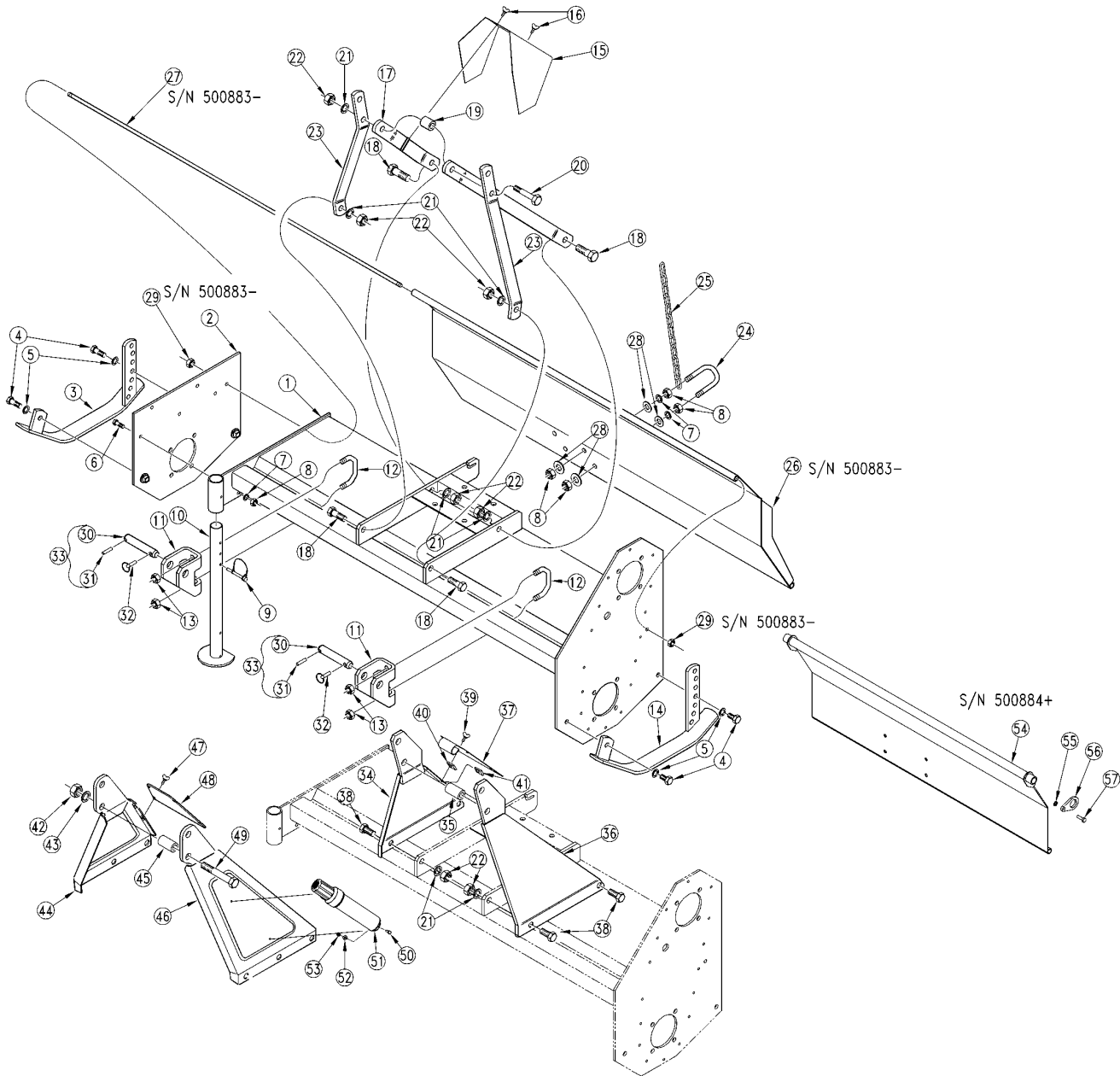
Serial Numbers

Always use the serial and model number when ordering parts. Refer to the Operator's Manual for serial number plate location.

- | | |
|----------------------|--|
| (S/N 20001+) | Includes serial numbers 20001 and above (to the latest number) |
| (S/N 10001 to 20000) | Includes serial numbers between and including 10001 and 20000 |
| (S/N 10000-) | Includes serial numbers 10000 and below (to the earliest number) |

Frame

Applies to RTA1034, RTA1042, RTA1050, RTA1058



10360

Frame**Applies to RTA1034, RTA1042, RTA1050, RTA1058**

Ref	Part No.	Part Description	Comments	Revision
	dwg10360	Drawing Image Number		
1.	311-011H	FRAME WELDMENT 1034 TILLER		
1.	311-011H81	FRAME WELDMENT 1034 TILLER GREEN		
1.	311-011H82	FRAME WELDMENT 1034 TILLER ORANGE		
1.	311-011H83	FRAME WELDMENT 1034 TILLER RED		
1.	311-011H84	FRAME WELDMENT 1034 TILLER BLUE		
1.	311-010H	FRAME WELDMENT 1042 TILLER		
1.	311-010H81	FRAME WELDMENT 1042 TILLER GREEN		
1.	311-010H82	FRAME WELDMENT 1042 TILLER ORANGE		
1.	311-010H83	FRAME WELDMENT 1042 TILLER RED		
1.	311-010H84	FRAME WELDMENT 1042 TILLER BLUE		
1.	311-009H	FRAME WELDMENT 1050 TILLER		
1.	311-009H81	FRAME WELDMENT 1050 TILLER GREEN		
1.	311-009H82	FRAME WELDMENT 1050 TILLER ORANGE		
1.	311-009H83	FRAME WELDMENT 1050 TILLER RED		
1.	311-009H84	FRAME WELDMENT 1050 TILLER BLUE		
1.	311-053H	FRAME WELDMENT RTA1058		
1.	311-053H81	FRAME WELDMENT RTA1058 GREEN		
1.	311-053H82	FRAME WELDMENT RTA1058 ORANGE		
1.	311-053H83	FRAME WELDMENT RTA1058 RED		
1.	311-053H84	FRAME WELDMENT RTA1058 BLUE		
2.	311-017H	RH END PLATE WELDMT 10/15 TILR		
2.	311-017H81	RH END PLATE WELDMT 10/15 TILR GREEN		
2.	311-017H82	RH END PLATE WELDMT 10/15 TILR ORANGE		
2.	311-017H83	RH END PLATE WELDMT 10/15 TILR RED		
2.	311-017H84	RH END PLATE WELDMT 10/15 TILR BLUE		
3.	311-007H	RH SKIDSHOE 10/15 TILLER		
3.	311-007H81	RH SKIDSHOE 10/15 TILLER GREEN		
3.	311-007H82	RH SKIDSHOE 10/15 TILLER ORANGE		
3.	311-007H83	RH SKIDSHOE 10/15 TILLER RED		
3.	311-007H84	RH SKIDSHOE 10/15 TILLER BLUE		
4.	802-034C	HHCS 1/2-13X1 1/4 GR5		
5.	804-015C	WASHER LOCK SPRING 1/2 PLT		
6.	802-017C	HHCS 3/8-16X1 GR5		
7.	804-013C	WASHER LOCK SPRING 3/8 PLT		
8.	803-014C	NUT HEX 3/8-16 PLT		
9.	805-065C	PIN WIRE RETAINING 1/4 X 1 3/4		
10.	311-014H	STAND LEG 10/15 TILLER		
10.	311-014H81	STAND LEG 10/15 TILLER GREEN		
10.	311-014H82	STAND LEG 10/15 TILLER ORANGE		
10.	311-014H83	STAND LEG 10/15 TILLER RED		
10.	311-014H84	STAND LEG 10/15 TILLER BLUE		
11.	311-052H	LOWER HITCH CLEVIS RTA 10/15		
11.	311-052H81	LOWER HITCH CLEVIS RTA 10/15 GREEN		
11.	311-052H82	LOWER HITCH CLEVIS RTA 10/15 ORANGE		
11.	311-052H83	LOWER HITCH CLEVIS RTA 10/15 RED		
11.	311-052H84	LOWER HITCH CLEVIS RTA 10/15 BLUE		
12.	806-048C	U-BOLT 1/2-13 X2 7/8X2 1/16SPL		
13.	803-147C	NUT HEX NYLOCK 1/2-13		
14.	311-006H	LH SKIDSHOE 10/15 TILLER		
14.	311-006H81	LH SKIDSHOE 10/15 TILLER GREEN		
14.	311-006H82	LH SKIDSHOE 10/15 TILLER ORANGE		
14.	311-006H83	LH SKIDSHOE 10/15 TILLER RED		
14.	311-006H84	LH SKIDSHOE 10/15 TILLER BLUE		
15.	311-071D	PTO GUARD 10/15 TILR		
16.	801-042C	SCREW THUMB 5/16-18 X 5/8 PLT		
17.	311-030H	TOP HITCH BRACE WELDMT 10/15		
18.	802-051C	HHCS 5/8-11X1 1/2 GR5		

Frame (continued)

Applies to RTA1034, RTA1042, RTA1050, RTA1058

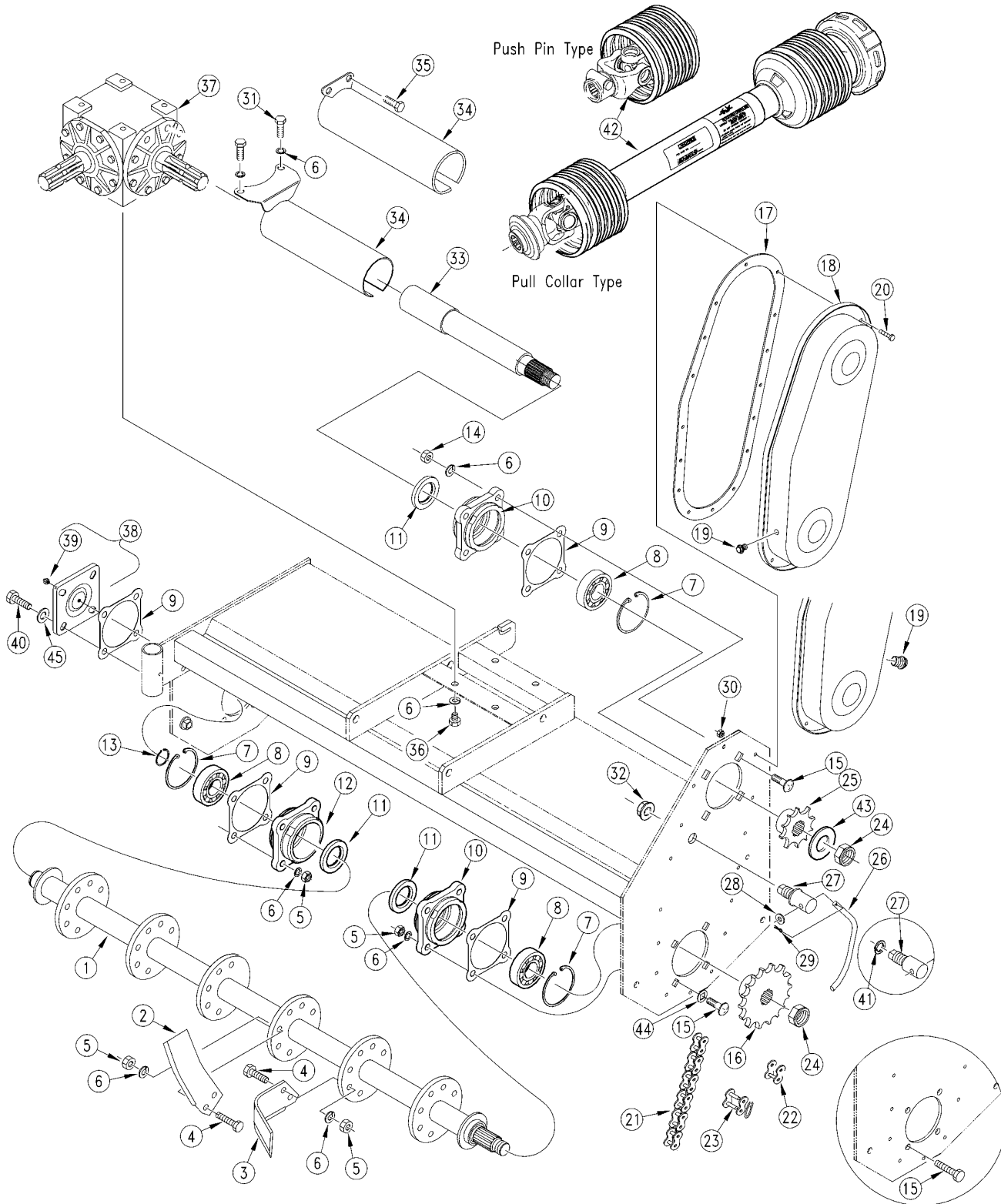
Ref	Part No.	Part Description	Comments	Revision
19.	311-038D	TOP HITCH SPACER 10/15 TLR		
20.	802-162C	HHCS 5/8-11X3 1/2 GR5		
21.	804-022C	WASHER LOCK SPRING 5/8 PLT		
22.	803-021C	NUT HEX 5/8-11 PLT		
23.	311-032D	TOP HITCH ARM 10/15 TLR		
24.	806-049C	U-BOLT 3/8-16 X2 1/32X2 5/8SPL		
25.	311-077D	REAR DEFLECTOR CHAIN 10/15		
26.	311-191H	RTA10/1534 REAR DEFL WELDMENT	S/N 500883-	
26.	311-191H81	RTA10/1534 REAR DEFL WELDMENT GREEN		
26.	311-191H82	RTA10/1534 REAR DEFL WELDMENT ORANGE		
26.	311-191H83	RTA10/1534 REAR DEFL WELDMENT RED		
26.	311-191H84	RTA10/1534 REAR DEFL WELDMENT BLUE		
26.	311-190H	RTA10/1542 REAR DEFL WELDMENT	S/N 500883-	
26.	311-190H81	RTA10/1542 REAR DEFL WELDMENT GREEN		
26.	311-190H82	RTA10/1542 REAR DEFL WELDMENT ORANGE		
26.	311-190H83	RTA10/1542 REAR DEFL WELDMENT RED		
26.	311-190H84	RTA10/1542 REAR DEFL WELDMENT BLUE		
26.	311-189H	RTA10/1550 REAR DEFL WELDMENT	S/N 500883-	
26.	311-189H81	RTA10/1550 REAR DEFL WELDMENT GREEN		
26.	311-189H82	RTA10/1550 REAR DEFL WELDMENT ORANGE		
26.	311-189H83	RTA10/1550 REAR DEFL WELDMENT RED		
26.	311-189H84	RTA10/1550 REAR DEFL WELDMENT BLUE		
26.	311-192H	RTA10/1558 REAR DEFL WELDMENT	S/N 500883-	
26.	311-192H81	RTA10/1558 REAR DEFL WELDMENT GREEN		
26.	311-192H82	RTA10/1558 REAR DEFL WELDMENT ORANGE		
26.	311-192H83	RTA10/1558 REAR DEFL WELDMENT RED		
26.	311-192H84	RTA10/1558 REAR DEFL WELDMENT BLUE		
27.	311-053D	REAR DEFL ROD 10/1534 TILR		
27.	311-052D	REAR DEFL ROD 10/1542 TILR		
27.	311-051D	REAR DEFL ROD 10/1550 TILR		
27.	311-062D	REAR DEFL ROD 10/1558 TILLER		
28.	804-011C	WASHER FLAT 3/8 USS PLT		
29.	803-013C	NUT LOCK 3/8-16 PLT		
30.	805-198C	PIN LOWER HITCH 7/8X3 1/16USBL		Rev. 2
30.	310-074D	RPBY 805-198C		Rev 1; Use up stock
31.	805-041C	PIN ROLL 1/4X1 3/4		
32.	805-015C	PIN LYNCH 5/16 X 1 3/4		
33.	310-020S	LOWER HITCH PIN ASSEMBLY	Includes items 30 and 31	
34.	311-173E	RH HEAVY HITCH RTA15	(S/N 278043-); For the Optional Heavy Hitch	
35.	311-093D	TOP SPACER HEAVY HITCH RTA15	(S/N 278043-); For the Optional Heavy Hitch	
36.	311-174E	LH HEAVY HITCH RTA15	(S/N 278043-); For the Optional Heavy Hitch	
37.	311-215D	PTO GUARD RTA15 (HEAVY HITCH)	(S/N 278043-); For the Optional Heavy Hitch	
38.	802-050C	HHCS 5/8-11X1 1/4 GR5	For the Optional Heavy Hitch	
39.	800-096C	STUD 1/4 TURN WING HD #85-360	(S/N 278043-); For the Optional Heavy Hitch	
40.	800-098C	RETAINER SPLIT RING #85	(S/N 278043-); For the Optional Heavy Hitch	
41.	800-097C	RECPTCLE 1/4 TURN CLIP ON #85	(S/N 278043-); For the Optional Heavy Hitch	
42.	803-027C	NUT HEX 3/4-10 PLT	(S/N 278044+); For the Optional Heavy Hitch	

Frame (continued)**Applies to RTA1034, RTA1042, RTA1050, RTA1058**

Ref	Part No.	Part Description	Comments	Revision
43.	804-023C	WASHER LOCK SPRING 3/4 PLT	(S/N 278044+); For the Optional Heavy Hitch	
44.	311-266E	RH HVY TOP HITCH RTA10/15	(S/N 278044+); For the Optional Heavy Hitch	
44.	311-266E81	RH HVY TOP HITCH RTA10/15 GREEN		
44.	311-266E82	RH HVY TOP HITCH RTA10/15 ORANGE		
44.	311-266E83	RH HVY TOP HITCH RTA10/15 RED		
44.	311-266E84	RH HVY TOP HITCH RTA10/15 BLUE		
45.	308-400D	SPACER 1 1/4OD X 25/32ID X 2LG	(S/N 278044+); For the Optional Heavy Hitch	
46.	311-265E	LH HVY TOP HITCH RTA10/15	(S/N 278044+); For the Optional Heavy Hitch	
46.	311-265E81	LH HVY TOP HITCH RTA10/15 GREEN		
46.	311-265E82	LH HVY TOP HITCH RTA10/15 ORANGE		
46.	311-265E83	LH HVY TOP HITCH RTA10/15 RED		
46.	311-265E84	LH HVY TOP HITCH RTA10/15 BLUE		
47.	801-042C	SCREW THUMB 5/16-18 X 5/8 PLT	(S/N 278044+); For the Optional Heavy Hitch	
48.	311-347D	RTA10/15 3PT GB SHAFT GUARD	(S/N 278044+); For the Optional Heavy Hitch	
48.	311-347D81	RTA10/15 3PT GB SHAFT GUARD GREEN		
48.	311-347D82	RTA10/15 3PT GB SHAFT GUARD ORANGE		
48.	311-347D83	RTA10/15 3PT GB SHAFT GUARD RED		
48.	311-347D84	RTA10/15 3PT GB SHAFT GUARD BLUE		
49.	802-068C	HHCS 3/4-10X4 GR5	(S/N 306787+); For the Optional Heavy Hitch	Rev. 2
49.	802-067C	HHCS 3/4-10X4 GR5 FTHD	(S/N 278044 <-> 306786); For the Optional Heavy Hitch	Rev 1; Use up stock
50.	802-005C	HHCS 1/4-20X1 GR5	(S/N 543059+)	
51.	816-504C	MANUAL STORAGE CONTAINER	(S/N 543059+)	
52.	804-007C	WASHER FLAT 1/4 SAE PLT	(S/N 543059+)	
53.	803-255C	NUT HEX NYLOCK 1/4-20	(S/N 543059+)	
54.	311-430H	TAILGATE WELDMENT	RTA1042	
54.	311-430H81	TAILGATE WELDMENT GREEN		
54.	311-430H82	TAILGATE WELDMENT ORANGE		
54.	311-430H83	TAILGATE WELDMENT RED		
54.	311-430H84	TAILGATE WELDMENT BLUE		
54.	311-445H	TAILGATE WELDMENT	RTA1050	
54.	311-445H81	TAILGATE WELDMENT GREEN		
54.	311-445H82	TAILGATE WELDMENT ORANGE		
54.	311-445H83	TAILGATE WELDMENT RED		
54.	311-445H84	TAILGATE WELDMENT BLUE		
54.	311-449H	TAILGATE WELDMENT	RTA1058	
54.	311-449H81	TAILGATE WELDMENT GREEN		
54.	311-449H82	TAILGATE WELDMENT ORANGE		
54.	311-449H83	TAILGATE WELDMENT RED		
54.	311-449H84	TAILGATE WELDMENT BLUE		
55.	804-009C	WASHER LOCK SPRING 5/16 PLT		
56.	311-663D	TAILGATE LOCK 10 & 15 SERIES		
57.	802-738D	HHCS 5/16-18X1 GR5 ZNYCR		

Drive

Applies to RTA1034, RTA1042, RTA1050, RTA1058



13546

Drive**Applies to RTA1034, RTA1042, RTA1050, RTA1058**

Ref	Part No.	Part Description	Comments	Revision
	dwg13546	Drawing Image Number		
1.	311-038H	ROTOR SHAFT WELDMENT RTA1058		
1.	311-002H	ROTOR SHAFT WELDMENT 1050		
1.	311-003H	ROTOR SHAFT WELDMENT 1042		
1.	311-004H	ROTOR SHAFT WELDMENT 1034		
2.	820-056C	BLADE TILLER 10 & 15 SERIES RH	34" = 8; 42" = 10; 50" = 12; 58" = 14	
3.	820-055C	BLADE TILLER 10 & 15 SERIES LH	34" = 8; 42" = 10; 50" = 12; 58" = 14	
4.	802-248C	SP TINE HHCS 1/2-20X1 1/4 GR5		
5.	803-018C	NUT HEX 1/2-20 PLT		
6.	804-015C	WASHER LOCK SPRING 1/2 PLT		
7.	800-053C	SNAP RING INT 3.523 OD		
8.	822-082C	BEARING 307		
9.	816-070C	GASKET BRG MNT 10/15 TILLER		
10.	311-014D	BEARING MOUNT 10/15 TILLER		
11.	816-068C	SEAL 1.75 X 2.75 X .313		
12.	311-042D	RH BOTTOM BRG MNT 10/15 TILR		
13.	800-079C	SNAP RING EXT 1 3/8 5100-137		
14.	803-020C	NUT HEX 1/2-13 PLT		
15.	802-477C	RHSSNB 1/2-13 X 1 1/2 GR5	(S/N 148160+)	Rev. 2 not compat. w/Rev. 1
15.	802-091C	HHCS 1/2-13X1 1/2 GR5	(S/N 148159-)	Rev. 1
16.	808-082C	SPKT 80B16 1 3/8-21 SPLINE		
17.	816-069C	GASKET CHAIN GRD 10/15 TILR		
18.	311-012H	CHAIN GUARD WELDMT 10/15 TILR		
18.	311-012H81	CHAIN GUARD WELDMT 10/15 TILR GREEN		
18.	311-012H82	CHAIN GUARD WELDMT 10/15 TILR ORANGE		
18.	311-012H83	CHAIN GUARD WELDMT 10/15 TILR RED		
18.	311-012H84	CHAIN GUARD WELDMT 10/15 TILR BLUE		
19.	800-066C	DRAIN PLUG 3/4-16 UNF PLATED		
20.	802-719C	HFSS 1/4-20X7/8 GR5	(S/N 372753+)	Rev. 2
20.	802-257C	HFSS 1/4-20X3/4 GR5		Rev. 1
21.	809-079C	CHAIN RL #80 X 43 PITCH		
22.	809-088C	CONNECTOR #80 OFFSET PEER		
23.	809-087C	CONNECTOR #80 PEER		
24.	803-153C	NUT LT JAM 1 1/8-12 NYLN INSRT		
25.	808-081C	SPKT 80B10 1 3/8-21 SPLINE		
26.	807-062C	CHAIN TIGHTENER 10/15 TILR		
27.	308-171D	CHAIN TENSIONER ADJUSTER	For (S/N 13955-) used with item 41	
28.	804-016C	WASHER FLAT 1/2 SAE PLT		
29.	805-069C	PIN COTTER 3/16 X 1		
30.	803-007C	NUT LOCK 1/4-20 PLT		
31.	802-032C	HHCS 1/2-13X3/4 GR5		
32.	803-157C	NUT HEX FLANGE 7/8-14 UNF PLT		
33.	311-055H	DRIVE SHAFT RTA1058		
33.	311-035H	DRIVE SHAFT 1050 TILLER		
33.	308-274H	RTA34/42 OS48/DRIVE SHFT WLDMT	(S/N 195360 <-> 236705)	Rev. 2
33.	311-008H	RPBY 308-274H & 804-166C	(S/N 195359-) (S/N 236706+)	Rev. 1
34.	311-184H	DRIVE SHAFT GUARD RTA1058	(S/N 48037+)	Rev. 2
34.	311-184H81	DRIVE SHAFT GUARD RTA1058 GREEN		
34.	311-184H82	DRIVE SHAFT GUARD RTA1058 ORANGE		
34.	311-184H83	DRIVE SHAFT GUARD RTA1058 RED		
34.	311-184H84	DRIVE SHAFT GUARD RTA1058 BLUE		
34.	311-054H	RPBY 311-184H	(S/N 48036-)	Rev 1; Use up stock
34.	311-183H	DRIVE SHAFT GUARD RTA1050	(S/N 48037+)	Rev. 2
34.	311-183H81	DRIVE SHAFT GUARD RTA1050 GREEN		
34.	311-183H82	DRIVE SHAFT GUARD RTA1050 ORANGE		
34.	311-183H83	DRIVE SHAFT GUARD RTA1050 RED		
34.	311-183H84	DRIVE SHAFT GUARD RTA1050 BLUE		
34.	311-034H	RPBY 311-183H	(S/N 48036-)	Rev 1; Use up stock

Drive (continued)

Applies to RTA1034, RTA1042, RTA1050, RTA1058

Ref	Part No.	Part Description	Comments	Revision
34.	311-182H	DRIVE SHAFT GUARD RTA1034/42	(S/N 48037+)	Rev. 2
34.	311-182H81	DRIVE SHAFT GUARD RTA1034/42 GREEN		
34.	311-182H82	DRIVE SHAFT GUARD RTA1034/42 ORANGE		
34.	311-182H83	DRIVE SHAFT GUARD RTA1034/42 RED		
34.	311-182H84	DRIVE SHAFT GUARD RTA1034/42 BLUE		
34.	311-029H	RPBY 311-182H	(S/N 48036-)	Rev 1; Use up stock
35.	802-094C	HFSS 5/16-18X1 3/4 G5		
36.	802-258C	HHCS 1/2-13X1 GR5		
37.	826-013C	10 TILLER GEAR BOX	(S/N 314973-) (S/N 315294+)	Rev. 3
37.	826-013C81	10 TILLER GEAR BOX GREEN		
37.	826-013C82	10 TILLER GEAR BOX ORANGE		
37.	826-013C83	10 TILLER GEAR BOX RED		
37.	826-013C84	10 TILLER GEAR BOX BLUE		
37.	826-299C	FRANKLIN GBOX RTA10 EBM20	(S/N 314974 <-> 315293)	Rev 2; Use up stock
37.	826-271C	OBSOLETE RPBY 826-299C	(S/N 246681-246685)	Rev 1; Use up stock
38.	311-135S	RH BRG COVER W/ZRK RTA10/15/25		Rev. 2
38.	311-005H	RPBY 311-135S		Rev 1; Use up stock
39.	800-080C	GREASE ZERK 1/4-28 THD FORMING	(S/N 242272+)	Rev. 3 not compat. w/Rev. 2
39.	800-095C	ZERK GREASE 1/4 DRIVE #1952	(S/N 242271-)	Rev. 2 not compat. w/Rev. 1
39.	800-001C	GREASE ZERK STRAIGHT 1/4-28		Rev. 1
40.	802-082C	HHCS 1/2-13X1 3/4 GR5		
41.	804-037C	WASHER LOCK SPRING 7/8 PLT	Used only with old style 308-171D (S/N 139355-)	
42.	826-257C	DRIVELINE SHRBLT CAT2 HVY 540		Rev. 2
42.	826-014C	RPBY 826-257C	Refer to page 2-5 & 2-6	Rev 1; Use up stock
42.	826-015C	PTO SLIP CLUTCH 10 TILLER	Refer to page 2-7	
43.	804-166C	WASHER MACH 2 X 1.406 X .250		
44.	816-280C	GASKET 1.03OD.515SQ.HL1/32THK		
45.	804-094C	WASHER FLAT 1/2 HARD ASTM F436		

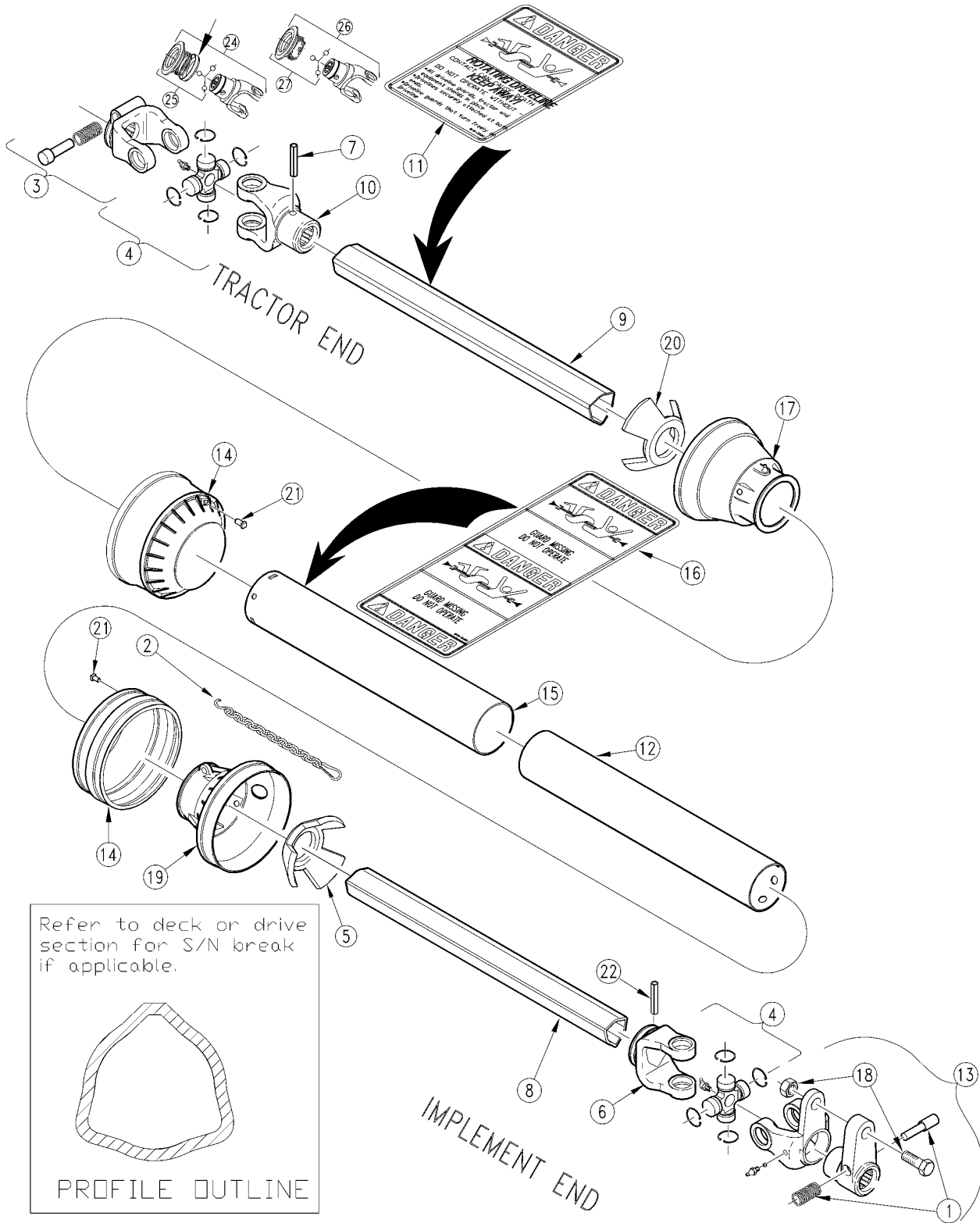
Drive (continued)

Applies to RTA1034, RTA1042, RTA1050, RTA1058

This Page Intentionally Left Blank

Driveline (826-014C) Eurocardan (S/N 246674-)

Applies to RTA1034, RTA1042, RTA1050, RTA1058



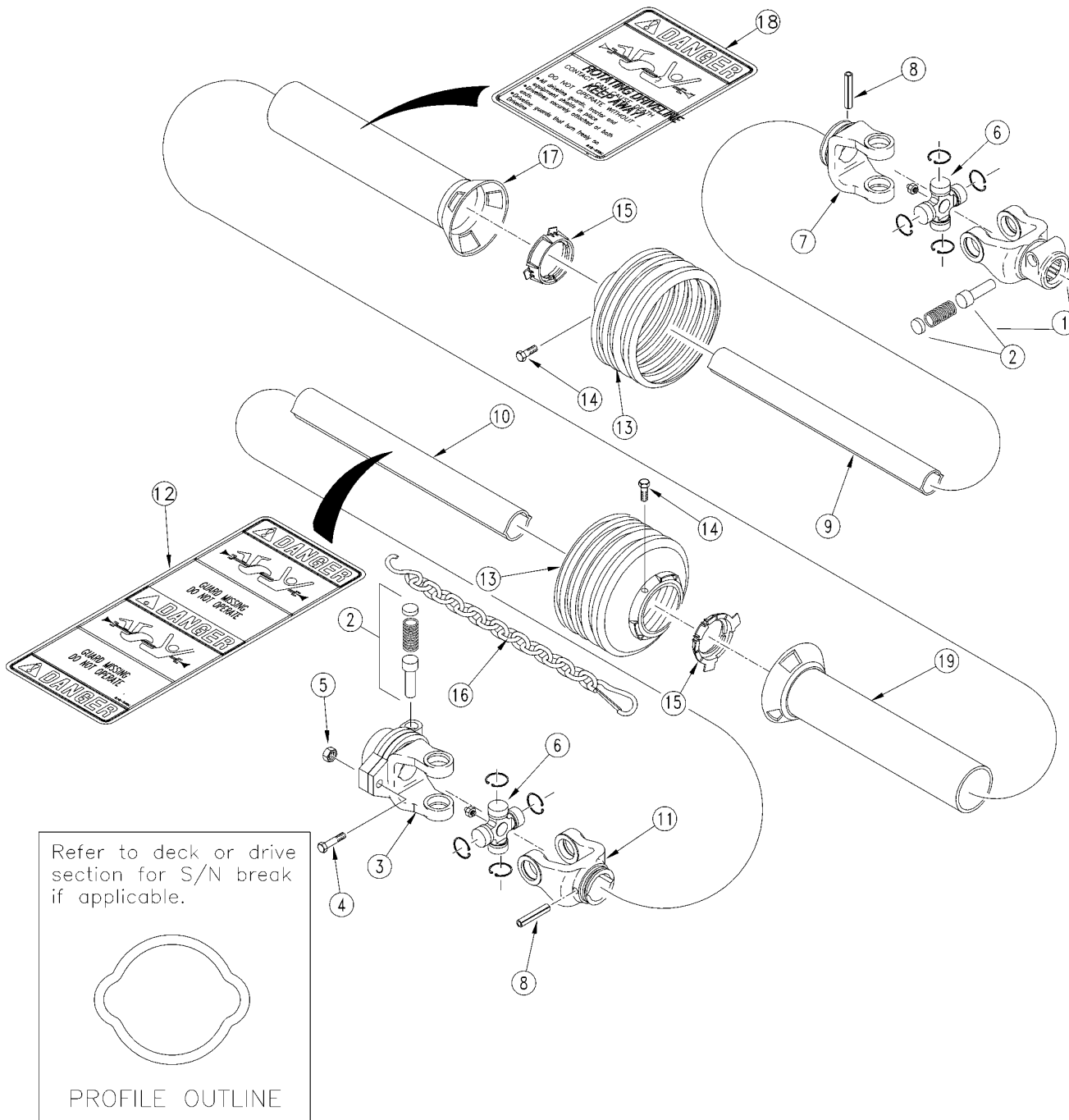
13205

Driveline (826-014C) Eurocardan (S/N 246674-)**Applies to RTA1034, RTA1042, RTA1050, RTA1058**

Ref	Part No.	Part Description	Comments	Revision
	dwg13205	Drawing Image Number		
	826-014C	RPBY 826-257C		
1.	1581038	EC COMPLETE PUSH-PIN KIT		Rev. 2
1.	1006038	RPBY 1581038		Rev 1; Use up stock
2.	044321	DRIVELINE SHIELD SAFETY CHAIN		
3.	1022010	EC YOKE ASSEMBLY (TRACTOR END)		Rev. 2
3.	1702110	RPBY 1022010		Rev 1; Use up stock
4.	1002020	EC CROSS ASSEMBLY		
5.	1782210	EC TUBE BEARING		Rev. 2
5.	1782016	EC TUBE BEARING		Rev 1; Use up stock
6.	1702029	EC INNER TUBE YOKE		
7.	6330855	EC 8X55-DIN-1481 O/TUBE R/PIN		
8.	1522038	EC INNER TUBE (1522083) 380MM		Rev. 2
8.	1532302	RPBY 1522038		Rev 1; Use up stock
9.	1523038	EC OUTER TUBE (1523085) 370MM		Rev. 2
9.	1532316	RPBY 1523038		Rev 1; Use up stock
10.	1702027	EC OUTER TUBE YOKE		
11.	818-552C	DECAL DANGER PTO DRIVELINE		Rev. 2
11.	818-187C	DECAL DANGER DRIVELINE SHIELD		Rev 1; Use up stock
12.	1872030	EC INNER TUBE (1872050) 300MM		Rev. 2
12.	1772329	RPBY 1872030		Rev 1; Use up stock
13.	1482037	EC BOLT TRQ LIMITER (IMP END)		Rev. 2
13.	1002034	RPBY 1482037		Rev 1; Use up stock
14.	1884203	EC SOFT CONE		Rev. 2
14.	1883013	RPBY 1884203		Rev 1; Use up stock
15.	1873030	EC OUTER TUBE (1873050) 300MM		Rev. 2
15.	1882342	RPBY 1873030		Rev 1; Use up stock
16.	818-540C	DECAL DANGER GUARD MISS PTO		Rev. 2
16.	818-142C	DECAL DANGER PTO DRIVELINE EN		Rev 1; Use up stock
17.	1884201	EC OUTER TUBE RIGID CONE		Rev. 2
17.	1883230	RPBY 1884201		Rev 1; Use up stock
18.	1480640	RPBY 6690640		Rev. 2
18.	3370645	RPBY 1480640		Rev 1; Use up stock
19.	1884202	EC INNER TUBE RIGID CONE		Rev. 2
20.	1883231	RPBY 1884202		Rev 1; Use up stock
20.	1782210	EC TUBE BEARING		Rev. 2
21.	1784212	EC PIN STOP ROTATION		
22.	6330850	EC 8X50-DIN-1481 ROLL PIN		
23.	826-556C	SHIELD KIT, AX2		
24.	1012012	RPBY 1012013		
25.	1004225	EC PULL COLLAR KIT		
26.	1012013	EC YOKE ASM		
27.	1004227	EC PULL COLLAR KIT		

Driveline (826-014C) Walterscheid (S/N 246674-)

Applies to RTA1034, RTA1042, RTA1050, RTA1058



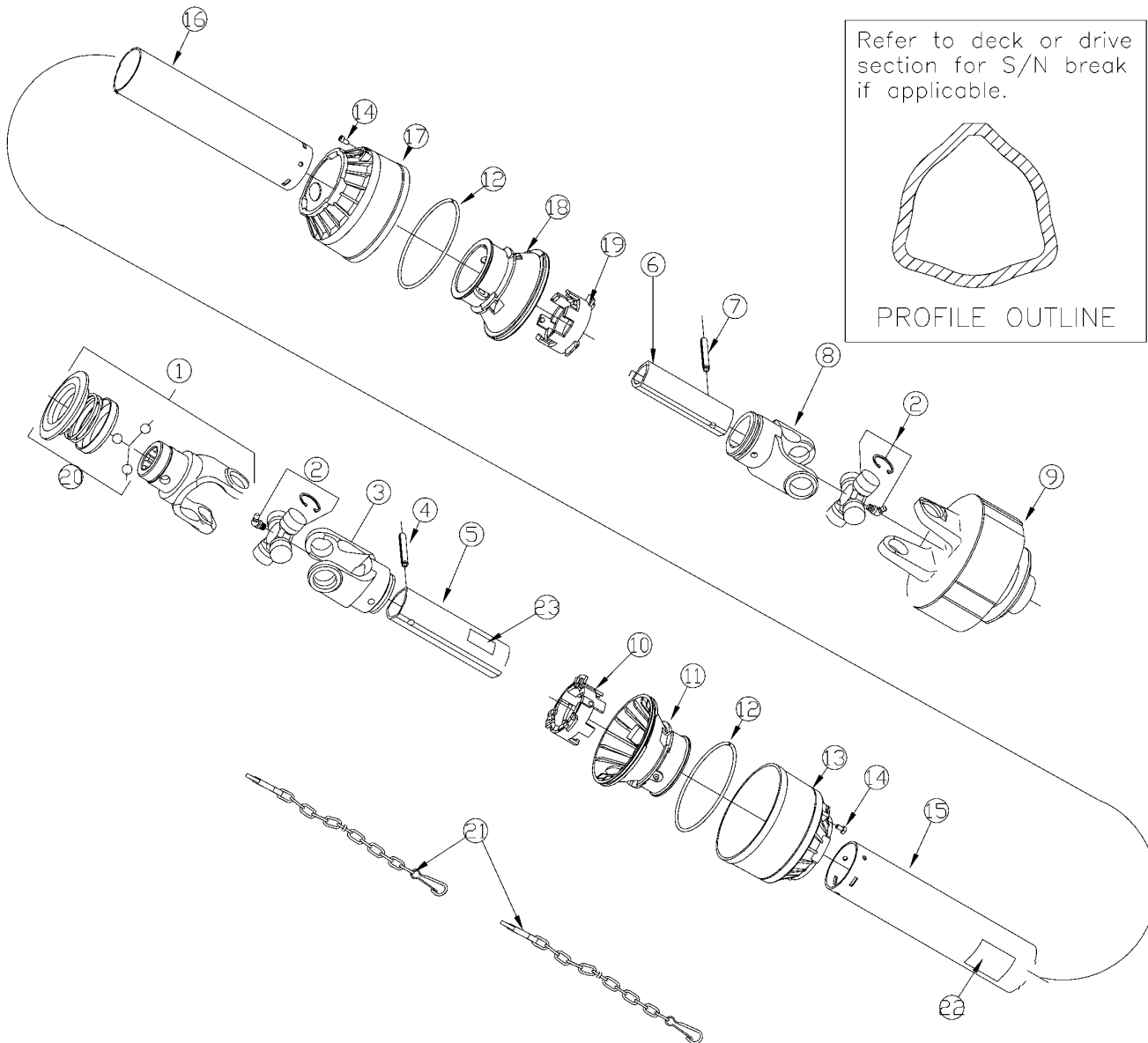
10972

Driveline (826-014C) Walterscheid (S/N 246674-)**Applies to RTA1034, RTA1042, RTA1050, RTA1058**

Ref	Part No.	Part Description	Comments	Revision
	dwg10972	Drawing Image Number		
	826-014C	RPBY 826-257C		
1.	041049	WALTERSCHEID YOKE 1 3/8-6 SPL		
2.	339107	WS Q.D. PIN KIT		
3.	322928	WS SHEAR BOLT CLUTCH		
4.	802-267C	HHCS M6X1X35 DIN931 GR8.8		
5.	803-154C	NUT HEX LOCK M6 PLT		
6.	044439	WALTERSCHEID CROSS & BRG KIT		
7.	041065	WALTERSCHEID INBOARD YOKE		
8.	020614	WALTERSCHEID SPRING PIN		
9.	047882	WALTERSCHEID INNER PROFILE OV		
10.	047892	WALTERSCHEID OUTER PROFILE I		
11.	041068	WALTERSCHEID INBOARD YOKE		
12.	818-540C	DECAL DANGER GUARD MISS PTO		Rev. 2
12.	383334	WALTERSCHEID DNGR DECAL-STEEL		Rev 1; Use up stock
13.	377234	WALTERSCHEID SHIELD CONE-4 RIB		
14.	365305	WALTERSCHEID SCREW		
15.	087279	WALTERSCHEID BEARING RING		
16.	044321	WALTERSCHEID SAFETY CHAIN		
17.	385689	WALTERSCHEID OUT SHIELD TB OVL		
18.	818-552C	DECAL DANGER PTO DRIVELINE		Rev. 2
18.	383333	WALTERSCHEID DANGER DECAL-SHLD		Rev 1; Use up stock
19.	385058	WALTERSCHEID INN SHIELD TB RND		

Driveline (826-015C) Eurocardan

Applies to RTA1034, RTA1042, RTA1050, RTA1058

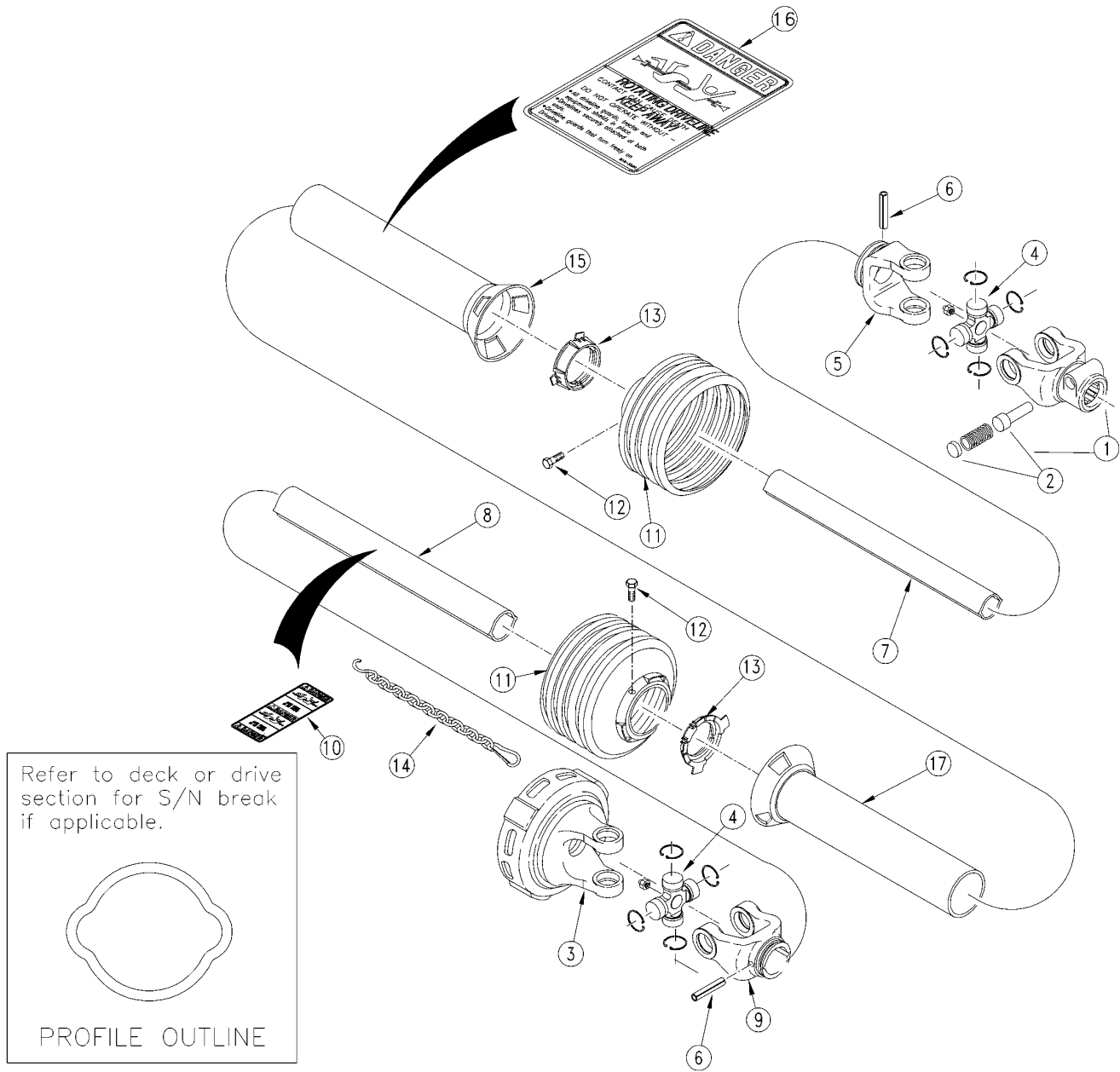


Driveline (826-015C) Eurocardan**Applies to RTA1034, RTA1042, RTA1050, RTA1058**

Ref	Part No.	Part Description	Comments	Revision
	dwg22309	Drawing Image Number		
	826-015C	PTO SLIP CLUTCH 10 TILLER *		
1.	1014012	EC YOKE ASSEMBLY		
2.	1004020	EC CROSS ASSEMBLY (U JOINT)		
3.	1704027	EC OUTER TUBE YOKE		
4.	6330860	EC 08X60 1485DIN ROLL PIN		
5.	1524035	EC OUTER TUBE (1524062) 350MM		
6.	1525035	EC INNER TUBE (1525095) 350MM		
7.	6330855	EC 8X55-DIN-1481 O/TUBE R/PIN		
8.	1704029	EC INNER TUBE YOKE		
9.	1384603	EC CLUTCH ASSY. BD2/4 450Nm		
10.	1784210	EC TUBE BEARING		
11.	1884201	EC OUTER TUBE RIGID CONE		
12.	1213233	EC STIFFENING RING		
13.	1884203	EC SOFT CONE		
14.	1784212	EC PIN STOP ROTATION		
15.	1873027	EC OUTER TUBE (1873050) 270MM		
16.	1872027	EC INNER TUBE (1872050) 270MM		
17.	1884204	EC SOFT CONE (LONG)		
18.	1884202	EC INNER TUBE RIGID CONE		
19.	1784211	EC TUBE BEARING		
20.	1004225	EC PULL COLLAR KIT		
21.	044321	DRIVELINE SHIELD SAFETY CHAIN		Rev. 2
21.	1006065	REP BY 044321		Rev 1; Use up stock
22.	818-552C	DECAL DANGER PTO DRIVELINE		Rev. 2
22.	1140001	REP BY 818-552C		Rev 1; Use up stock
23.	818-540C	DECAL DANGER GUARD MISS PTO		Rev. 2
23.	1140003	REP BY 818-540C		Rev 1; Use up stock

Driveline (826-015C) Walterscheid

Applies to RTA1034, RTA1042, RTA1050, RTA1058

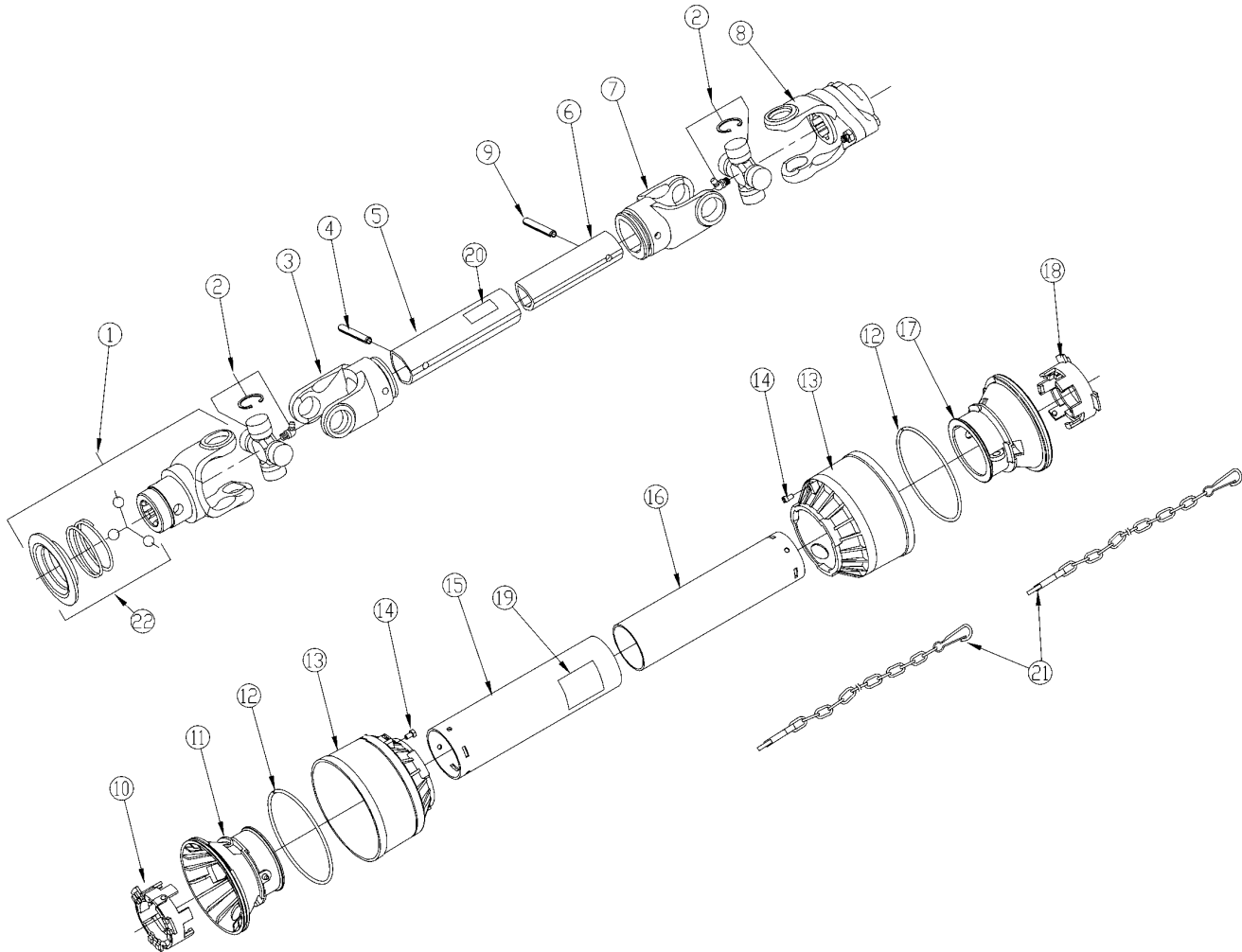


Driveline (826-015C) Walterscheid**Applies to RTA1034, RTA1042, RTA1050, RTA1058**

Ref	Part No.	Part Description	Comments	Revision
	dwg10973	Drawing Image Number		
	826-015C	PTO SLIP CLUTCH 10 TILLER		
1.	041049	WALTERSCHEID YOKE 1 3/8-6 SPL		
2.	339107	WS Q.D. PIN KIT		
3.	053314	WS FRICTION CLUTCH	Refer to page 2-8	
4.	044439	WALTERSCHEID CROSS & BRG KIT		
5.	041065	WALTERSCHEID INBOARD YOKE		
6.	020614	WALTERSCHEID SPRING PIN		
7.	047882	WALTERSCHEID INNER PROFILE OV		
8.	047892	WALTERSCHEID OUTER PROFILE I		
9.	041068	WALTERSCHEID INBOARD YOKE		
10.	818-540C	DECAL DANGER GUARD MISS PTO		Rev. 2
10.	383334	WALTERSCHEID DNGR DECAL-STEEL		Rev 1; Use up stock
11.	377234	WALTERSCHEID SHIELD CONE-4 RIB		
12.	365305	WALTERSCHEID SCREW		
13.	087279	WALTERSCHEID BEARING RING		
14.	044321	DRIVELINE SHIELD SAFETY CHAIN		
15.	385689	WALTERSCHEID OUT SHIELD TB OVL		
16.	818-552C	DECAL DANGER PTO DRIVELINE		Rev. 2
16.	383333	WALTERSCHEID DANGER DECAL-SHLD		Rev 1; Use up stock
17.	385058	WALTERSCHEID INN SHIELD TB RND		

Driveline (826-257C) EC (S/N 426012+)

Applies to RTA1042



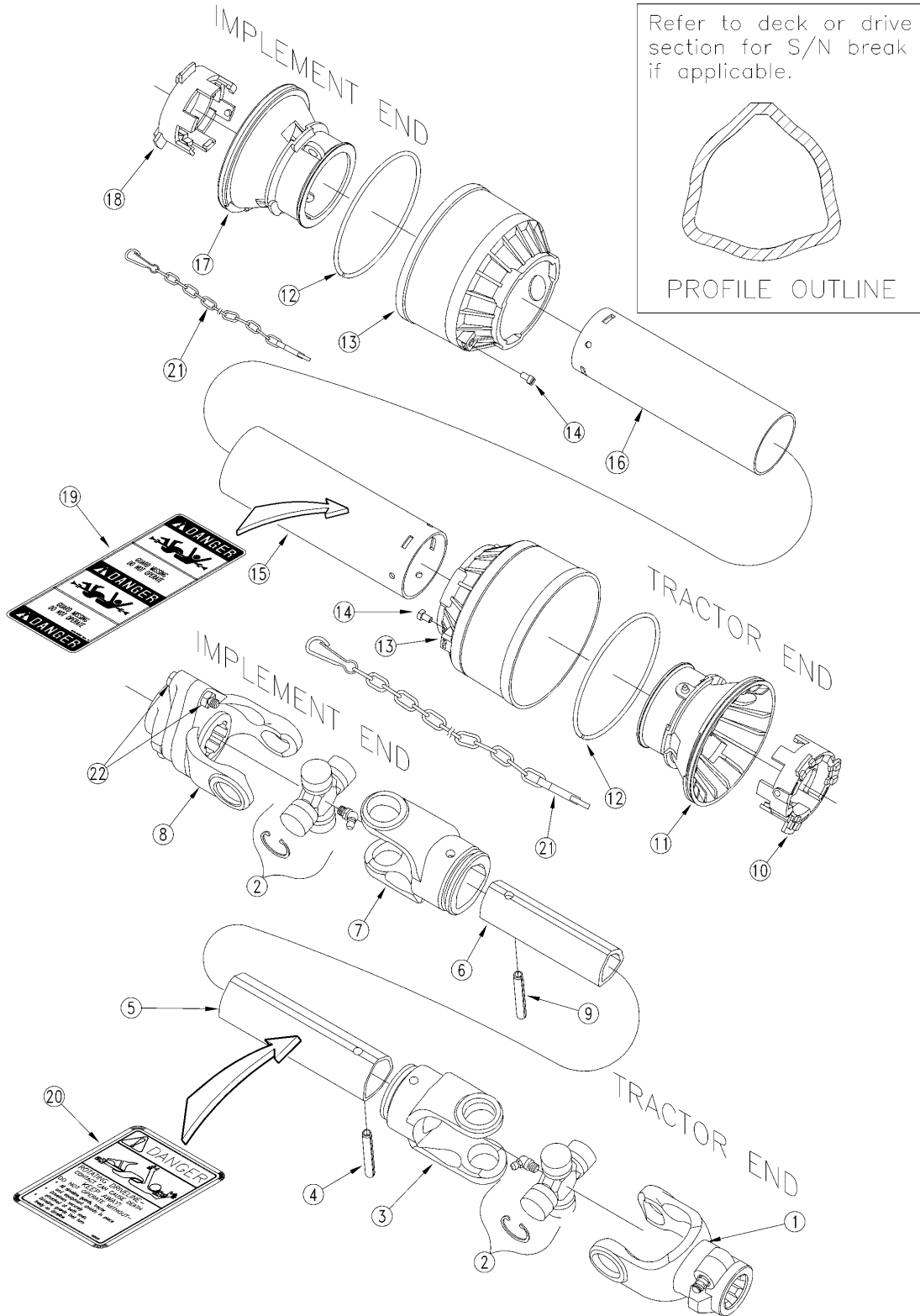
26645

Driveline (826-257C) EC (S/N 426012+)**Applies to RTA1042**

Ref	Part No.	Part Description	Comments	Revision
	dwg26645 826-257C	Drawing Image Number DRIVELINE SHRBLT HEAVY 540 *		
1.	1014013	EC YOKE ASSY (TRACTOR END)		
2.	1004020	EC CROSS ASSEMBLY (U JOINT)		
3.	1704027	EC OUTER TUBE YOKE		
4.	6330860	EC 08X60 1485DIN ROLL PIN		
5.	1524037	EC OUTER TUBE (1524062) 370MM		
6.	1525037	EC INNER TUBE (1525095) 370MM		
7.	1704029	EC INNER TUBE YOKE		
8.	1484049	EC YOKE ASSEMBLY		
9.	6330855	EC 8X55-DIN-1481 O/TUBE R/PIN		
10.	1784210	EC TUBE BRG		
11.	1884201	EC OUTER TUBE RIGID CONE		
12.	1213233	EC STIFFENING RING		
13.	1884203	EC SOFT CONE		
14.	1784212	EC PIN STOP ROTATION		
15.	1873029	EC OUTER TUBE (1873050) 290MM		
16.	1872029	EC INNER TUBE (1872050) 290MM		
17.	1884202	EC INNER TUBE RIGID CONE		
18.	1784211	EC TUBE BRG		
19.	818-552C	DECAL DANGER PTO DRIVELINE		
20.	818-540C	DECAL DANGER GUARD MISS PTO		
21.	44321	DRIVELINE SHIELD SAFETY CHAIN		
22.	1004227	EC PULL COLLAR KIT EVOLUTION		

Driveline (826-257C) Eurocardan (S/N 246675 to 426011)

Applies to RTA1034, RTA1042, RTA1050, RTA1058



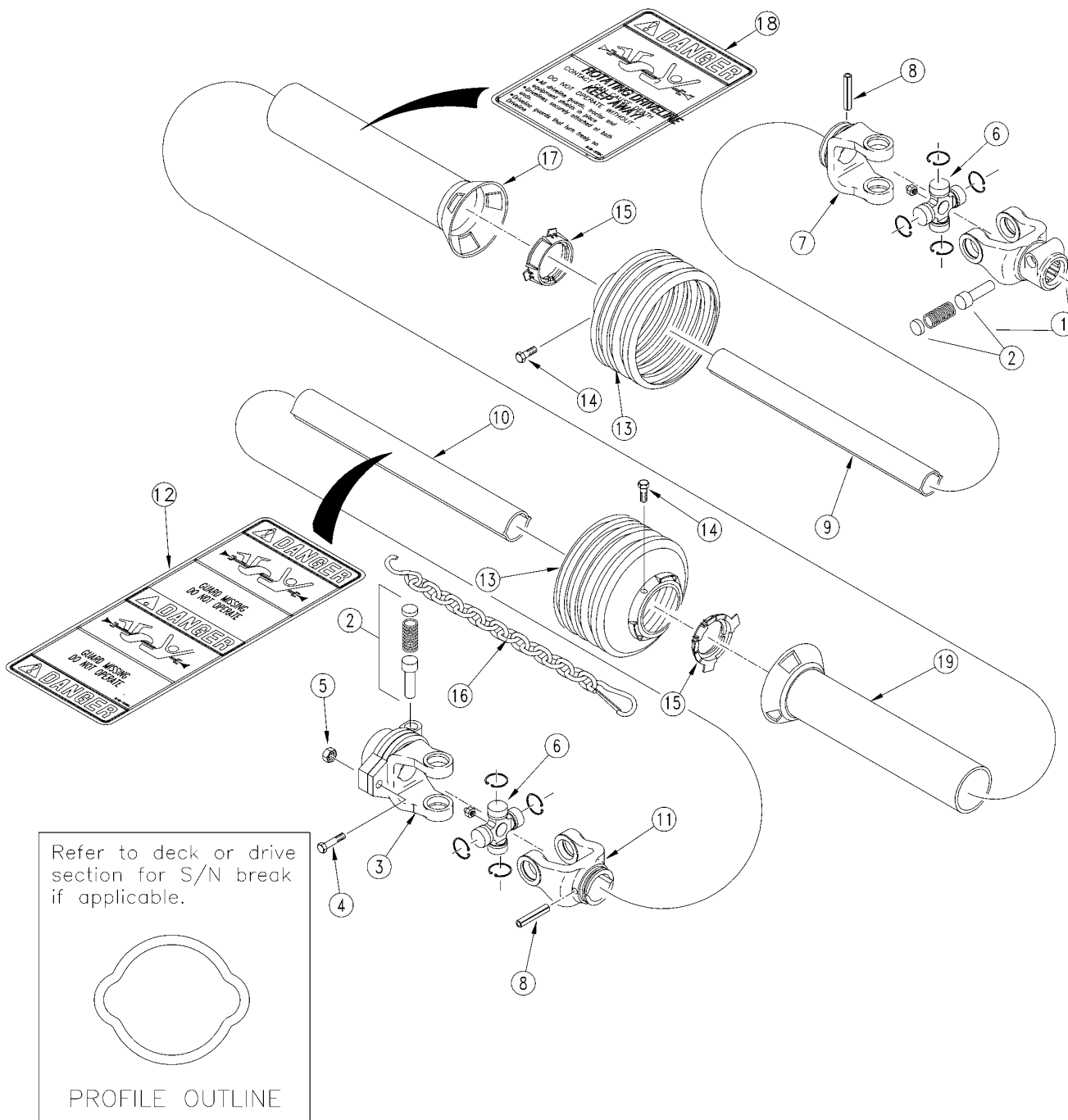
17409

Driveline (826-257C) Eurocardan (S/N 246675 to 426011)**Applies to RTA1034, RTA1042, RTA1050, RTA1058**

Ref	Part No.	Part Description	Comments	Revision
	dwg17409 826-257C	Drawing Image Number DRIVELINE SHRBLT *		
1.	1023010	EC YOKE ASSEMBLY (TRACTOR END)		
2.	1003020	EC CROSS ASSEMBLY		
3.	1703027	EC OUTER TUBE YOKE		
4.	6330860	EC 08X60 1485DIN ROLL PIN		
5.	1524037	EC OUTER TUBE (1524062) 370MM		
6.	1523037	EC INNER TUBE (1523038) 370MM		
7.	1703029	EC INNER TUBE YOKE		
8.	1483049	EC BOLT LIMITER (LC3)		
9.	6330855	EC 8X55-DIN-1481 O/TUBE R/PIN		
10.	1784210	EC TUBE BEARING		
11.	1884201	EC OUTER TUBE RIGID CONE		
12.	1213233	EC STIFFENING RING		
13.	1884203	EC SOFT CONE		
14.	1784212	EC PIN STOP ROTATION		
15.	1873029	EC OUTER TUBE (1873050) 290MM		
16.	1872029	EC INNER TUBE (1872050) 290MM		
17.	1884202	EC INNER TUBE RIGID CONE		
18.	1784211	EC TUBE BEARING		
19.	818-540C	DECAL DANGER GUARD MISS PTO		
20.	818-552C	DECAL DANGER PTO DRIVELINE		
21.	044321	DRIVELINE SHIELD SAFETY CHAIN		
22.	6690845	EC COMP. BOLT M8X45 W/NUT		

Driveline (826-257C) Walterscheid (S/N 246675+)

Applies to RTA1034, RTA1042, RTA1050, RTA1058



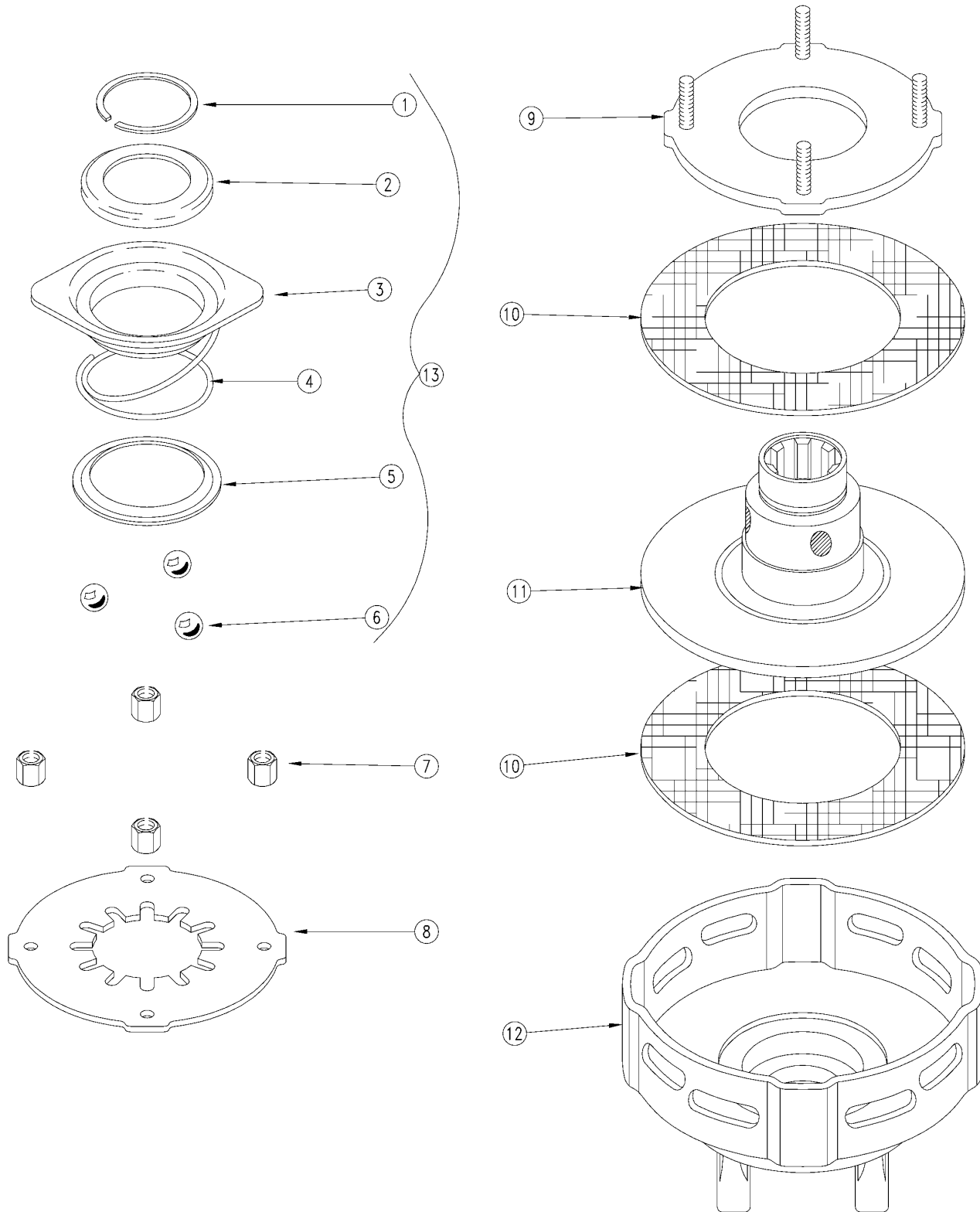
10972

Driveline (826-257C) Walterscheid (S/N 246675+)**Applies to RTA1034, RTA1042, RTA1050, RTA1058**

Ref	Part No.	Part Description	Comments	Revision
	dwg10972	Drawing Image Number		
	826-257C	DRIVELINE SHRBLT HEAVY 540		
1.	041049	WALTERSCHEID YOKE 1 3/8-6 SPL		
2.	339107	WS Q.D. PIN KIT		
3.	356609	WS SHEAR BOLT CLUTCH		
4.	802-267C	HHCS M6X1X35 DIN931 GR8.8		
5.	803-154C	NUT HEX LOCK M6 PLT		
6.	044439	WALTSCHIED CROSS & BRG KIT		
7.	041065	WALTERSCHEID INBOARD YOKE		
8.	020614	WALTERSCHEID SPRING PIN		
9.	047882	WALTERSCHEID INNER PROFILE OV		
10.	047892	WALTERSCHEID OUTER PROFILE I		
11.	041068	WALTERSCHEID INBOARD YOKE		
12.	818-540C	DECAL DANGER GUARD MISS PTO		Rev. 2
12.	383334	WALTERSCHEID DNGR DECAL-STEEL		Rev 1; Use up stock
13.	377234	WALTERSCHEID SHIELD CONE-4 RIB		
14.	365305	WALTERSCHEID SCREW		
15.	087279	WALTERSCHEID BEARING RING		
16.	044321	DRIVELINE SHIELD SAFETY CHAIN		
17.	385689	WALTERSCHEID OUT SHIELD TB OVL		
18.	818-552C	DECAL DANGER PTO DRIVELINE		Rev. 2
18.	383333	WALTERSCHEID DANGER DECAL-SHLD		Rev 1; Use up stock
19.	385058	WALTERSCHEID INN SHIELD TB RND		

Driveline Slip Clutch (053314) Walterscheid

Applies to RTA1034, RTA1042, RTA1050, RTA1058



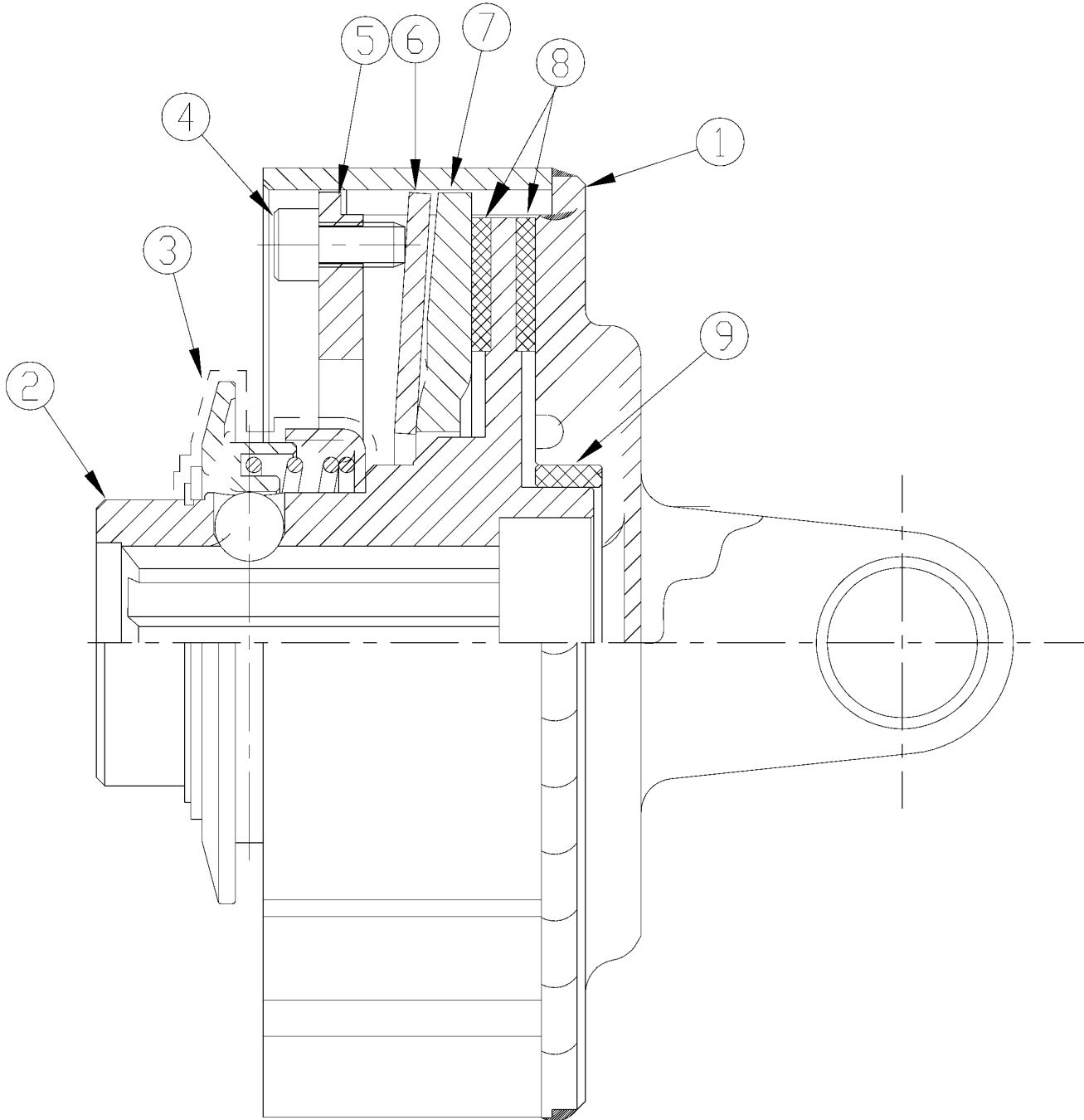
10600

Driveline Slip Clutch (053314) Walterscheid**Applies to RTA1034, RTA1042, RTA1050, RTA1058**

Ref	Part No.	Part Description	Comments	Revision
	dwg10600	Drawing Image Number		
	053314	WS FRICTION CLUTCH		
1.	304149	WS SNAP RING		
2.	338531	WS FLANGED RING		
3.	045790	WALTERSCHEID LOCK COLLAR		
4.	045793	WALTERSCHEID COMPRESSION SPRNG		
5.	047825	WALTERSCHEID BACK UP RING		
6.	020692	WALTERSCHEID BALL		
7.	381957	WALTERSCHEID HEX NUT M8		
8.	043487	WS BELLEVILLE SPRING		
9.	381495	WALTERSCHEID THRUST PLATE		
10.	168556	WS FRICTION DISK		
11.	051551	WALTERSCHEID HUB 1 3/8-6 SPL		
12.	041180	WALTERSCHEID CLUTCH HOUSING		
13.	341953	WS Q.D. FLG. KIT	Includes items 1 through 6	

Driveline Slip Clutch (1384603) EC

Applies to RTA1034, RTA1042, RTA1050, RTA1058



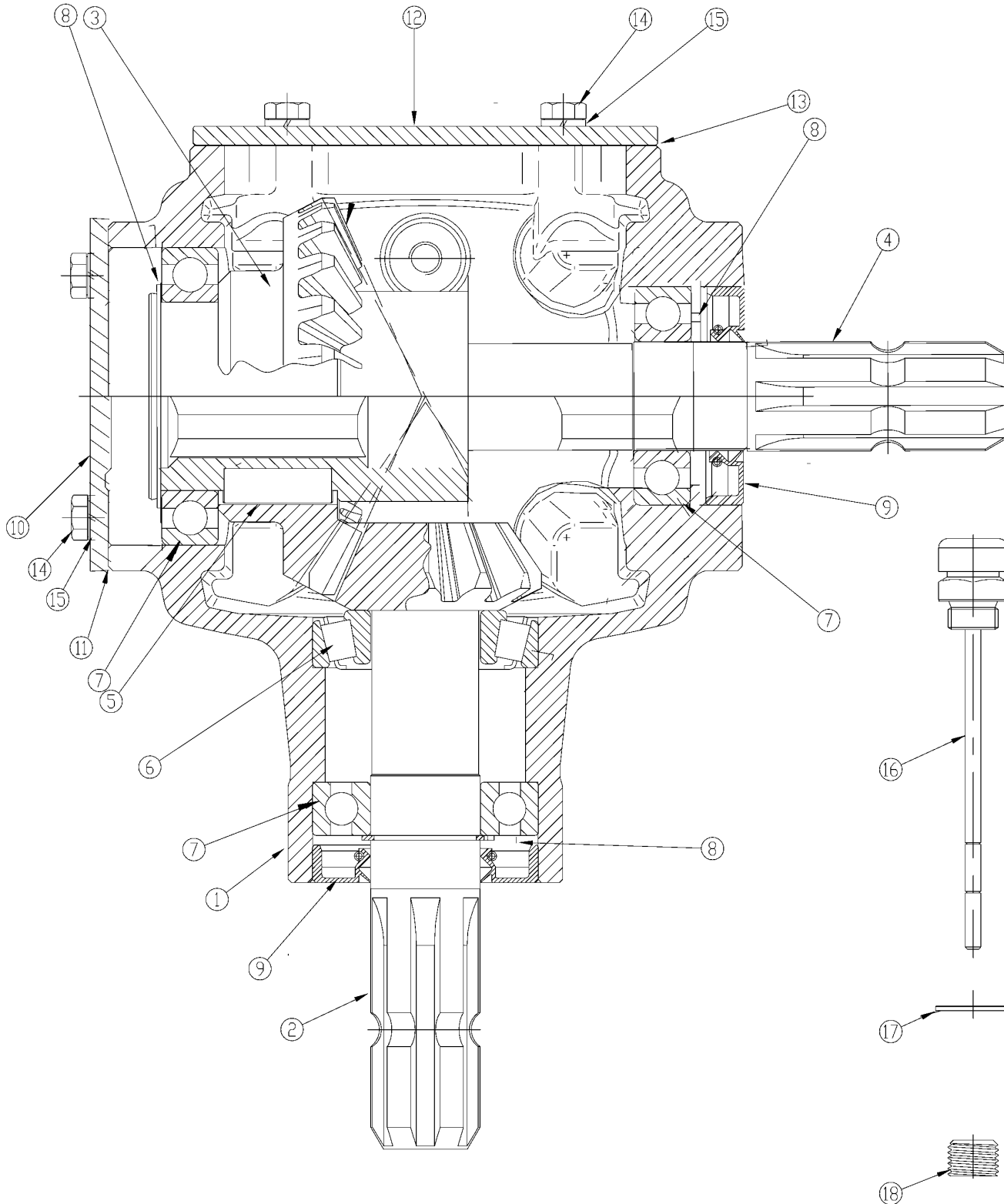
25596

Driveline Slip Clutch (1384603) EC**Applies to RTA1034, RTA1042, RTA1050, RTA1058**

Ref	Part No.	Part Description	Comments	Revision
	dwg25596	Drawing Image Number		
	1384603	EC CLUTCH ASSY. BD2/4 450Nm *		
1.	1384001	EC OUTER BODY FOR BD2/5		
2.	1704065	EC HUB WITH FLG. (1.38-6)		
3.	1004225	EC PULL COLLAR KIT		
4.	6040816	EC SCREW M8 X 16		
5.	1134012	EC CLOSURE FLANGE		
6.	1216913	EC SPRING KIT (R450Nm)		
7.	1134011	EC PRESSURE FLANGE		
8.	1806010	EC FRICTION DISC		
9.	1705009	EC CLUTCH BUSHING		

EC Gearbox (826-299C) (S/N 361706+) RTA1058 (S/N 314974-315293)

Applies to RTA1034, RTA1042, RTA1050, RTA1058



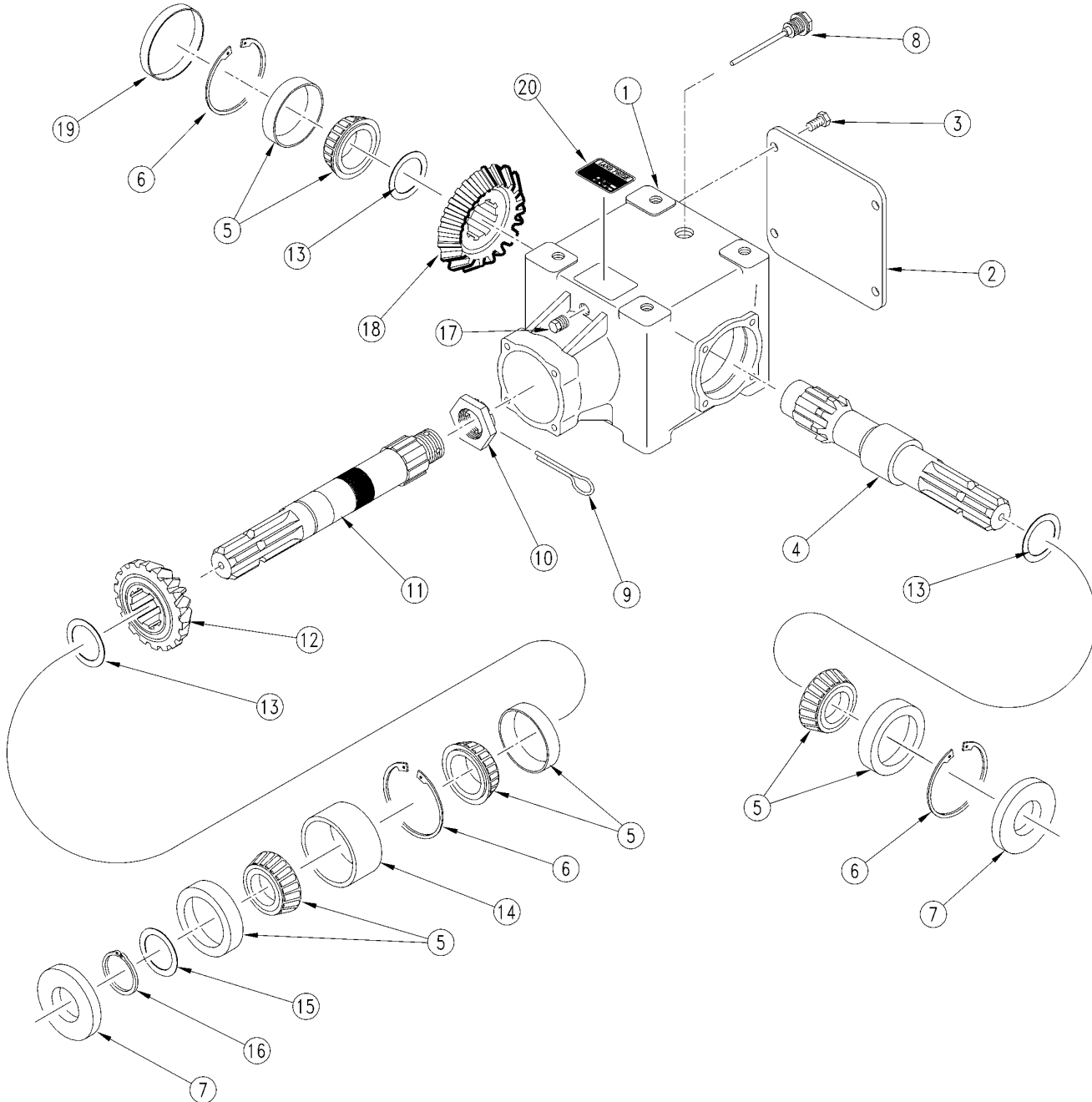
22190

EC Gearbox (826-299C) (S/N 361706+) RTA1058 (S/N 314974-315293)**Applies to RTA1034, RTA1042, RTA1050, RTA1058**

Ref	Part No.	Part Description	Comments	Revision
	dwg22190	Drawing Image Number		
	826-299C	RPBY 826-013C *		
1.	16520-00	FR HOUSING		
2.	17220-01	FR BEVEL PINION SHAFT		
3.	17220-00	FR BEVEL GEAR Z24		
4.	12220-00	FR OUTPUT GEAR SHAFT 13/8		
5.	6361025	EC KEY UNI A10X8X25		Rev. 2
5.	6341025	REP BY 6361025		Rev 1; Use up stock
6.	822-167C	BEARING TAPER ROLLER 30207 SET		Rev. 2
6.	69230207	REP BY 822-167C		Rev 1; Use up stock
7.	822-166C	BEARING BALL 6207		Rev. 2
7.	6906207	REP BY 822-166C		Rev 1; Use up stock
8.	6320035	EC SHAFT ELASTIC RING 35mm DIA		
9.	6203572	EC SEAL (DOUBLE RIMS)		Rev. 2
9.	6973572	REP BY 6203572		Rev 1; Use up stock
10.	19320-00	FR SIDE COVER		
11.	20820-00	FR SIDE COVER PAPER GASKET		
12.	19320-01	FR BACK COVER (81520)		
13.	20820-01	FR BACK CVR GSKT (81520)		
14.	30208025	EC SCREW M8		Rev. 2
14.	6000822	REP BY 30208025		Rev 1; Use up stock
15.	34021008	EC WASHER		Rev. 2
15.	6402108	REP BY 34021008		Rev 1; Use up stock
16.	65316-00	FR PRESSURE RELIEF AND OIL L P		
17.	6470116	EC OIL LEVEL PLUG GASKET		Rev. 2
17.	6402716	REP BY 6470116		Rev 1; Use up stock
18.	6481600	FR OIL DRAIN PLUG		

Gearbox (826-013C) Comer (S/N +)

Applies to RTA1034, RTA1042, RTA1050, RTA1058



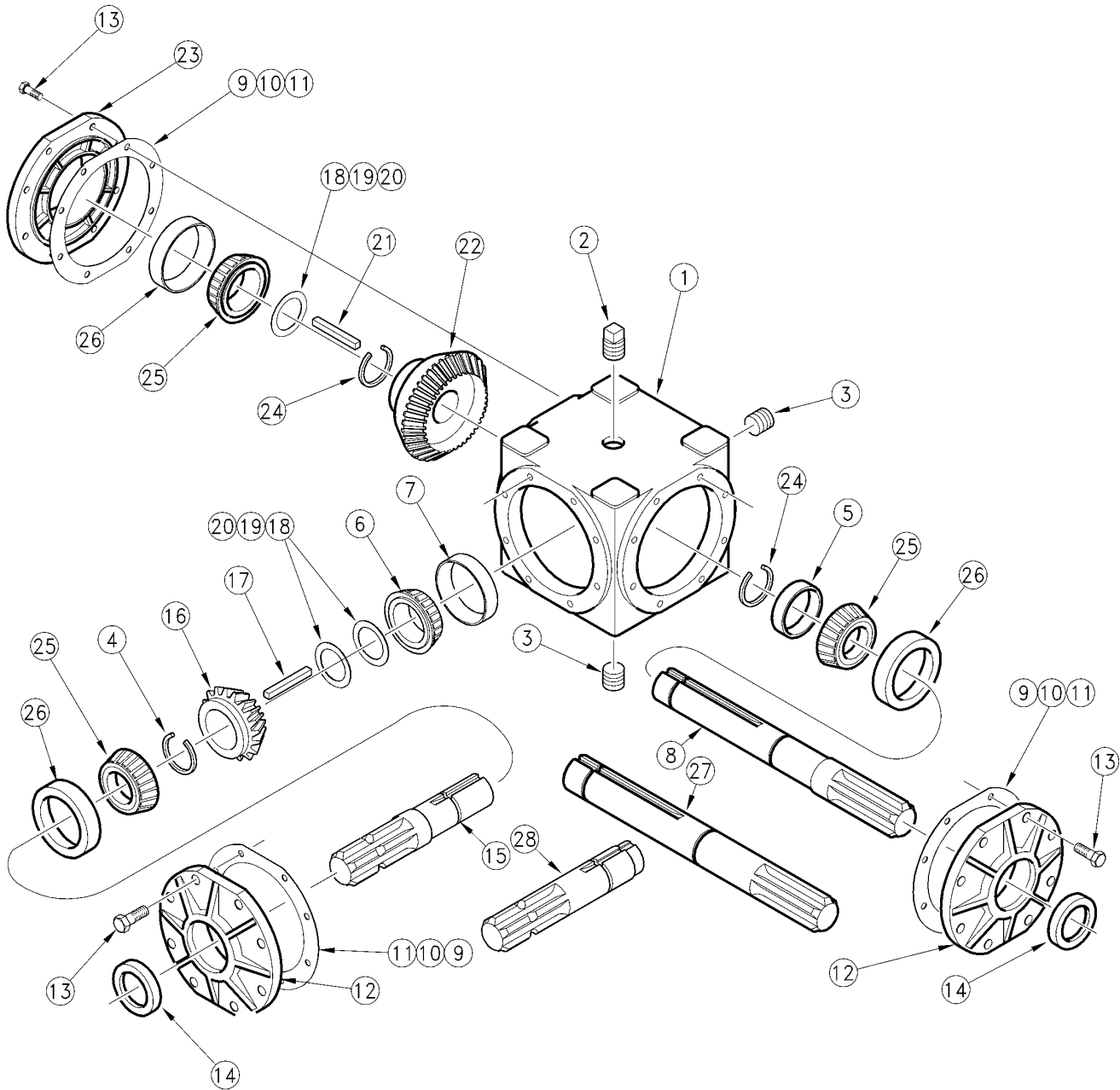
10915

Gearbox (826-013C) Comer (S/N +)**Applies to RTA1034, RTA1042, RTA1050, RTA1058**

Ref	Part No.	Part Description	Comments	Revision
	dwg10915	Drawing Image Number		
	826-013C	10 TILLER GEAR BOX		
1.	0.268.0501.00	CO CASTING T2		
2.	0.268.1300.00	CO COVER		
3.	8.1.1.00343	CO BOLT M8 X 14 8.8		
4.	0.268.3208.00	CO SHAFT 1 3/8 Z6		
5.	8.0.9.00026	CO BEARING 30207		
6.	800-069C	SNAP RING INT 2.835		
7.	8.7.3.00055	CO OIL SEAL 35 X 72 X 10		
8.	0.121.7100.00	CO OIL LEVEL PLUG		
9.	8.4.7.01111	CO COTTER PIN B4 X 50		
10.	0.132.7106.00	CO NUT M30 X 1.5		
11.	0.268.2209.00	CO SHAFT 1 3/8 Z6		
12.	0.268.6003.00	CO PINION Z15 M5, 7		
13.	A.259.500	CO ADJUSTMENT SPACER, 35.3 X48		Rev. 2
13.	0.259.7500.00	RPBY A.259.500		Rev 1; Use up stock
14.	0.268.7100.00	CO SPACER		
15.	0.259.7513.00	CO SHIM 35.3 X 1.3		
16.	800-079C	SNAP RING EXT 1 3/8 5100-137		
17.	8.6.5.00339	CO PLUG 1/4" GAS		
18.	0.144.5000.00	CO GEAR Z22 M5, 7		
19.	8.7.0.00744	CO CAP 72 X 10		
20.	0.141.7105.00	CO NAME PLATE FOR 826-067C		

Gearbox (826-013C) Curtis

Applies to RTA1034, RTA1042, RTA1050, RTA1058



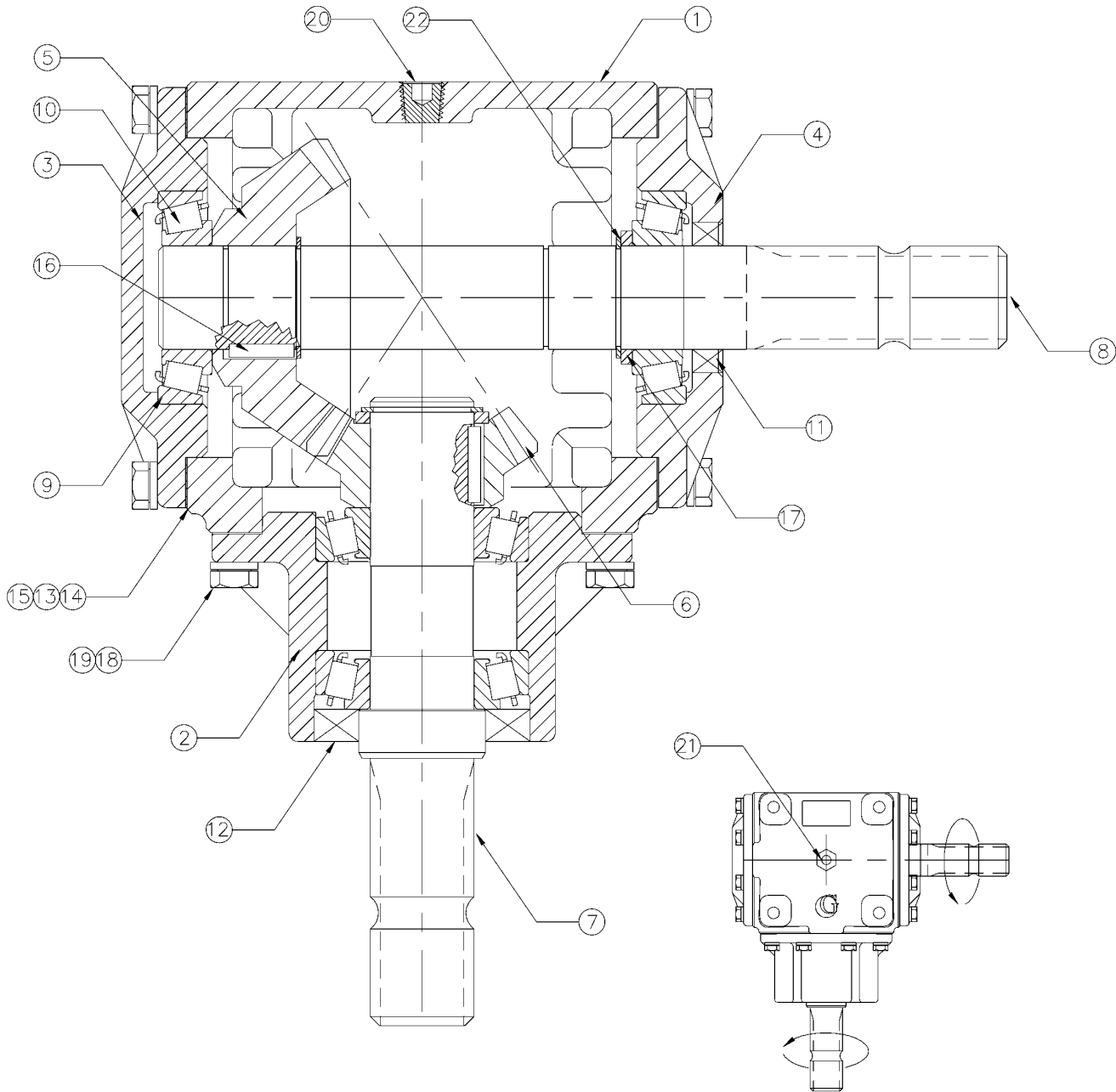
10361

Gearbox (826-013C) Curtis**Applies to RTA1034, RTA1042, RTA1050, RTA1058**

Ref	Part No.	Part Description	Comments	Revision
	dwg10361	Drawing Image Number		
	826-013C	10 TILLER GEAR BOX		
1.	000174	CU HOUSING		
2.	410175	CU PIPE PLUG SQ HD 1/2 NPT VT		
3.	410027	CU PIPE PLUG 1/2"		
4.	620062	CU RETAINING RING		
5.	450056	THRUST COLLAR		
6.	822-021C	BEARING CONE LM-67048		Rev. 2
6.	150136	RPBY 822-021C		Rev 1; Use up stock
7.	822-020C	BEARING CUP LM-67010		Rev. 2
7.	150144	RPBY 822-020C		Rev 1; Use up stock
8.	219113	CU OUTPUT SHAFT		
9.	390021	CU GASKET .015 THICK		
10.	390039	CU GASKET .005 THICK		
11.	390195	CU GASKET .003 THICK		
12.	054619	CU CAP		
13.	410167	CU HHCS FLG 5/16-18 X1		
14.	300087	CU SEAL 1.375 X 2 X .313		
15.	219105	CU INPUT SHAFT		
16.	100826	CU GEAR 20 TOOTH		
17.	601310	CU KEY		
18.	370007	CU SHIM .002 THICK		
19.	370015	CU SHIM .005 THICK		
20.	370023	CU SHIM .010 THICK		
21.	600031	CU KEY 1/4 X 1.12 LG HARDENED		
21.	600221	CU KEY 5/16 X 1.13 LG HARDENED		
22.	100818	CU GEAR 30 TOOTH		
22.	101568	CU GEAR 30 TOOTH		
23.	050179	BLANK CAP		
23.	054593	CU BLANK CAP		
24.	620070	RETAINING RING		
25.	822-034C	BEARING CONE LM-48548		Rev. 2
25.	153593	RPBY 822-034C		Rev 1; Use up stock
26.	822-033C	BEARING CUP LM-48510		Rev. 2
26.	153585	RPBY 822-033C		Rev 1; Use up stock
27.	219758	CURTIS SHAFT		
28.	219766	CU INPUT SHAFT		

Gearbox (826-271C) OMNI

Applies to RTA1034, RTA1042, RTA1050, RTA1058



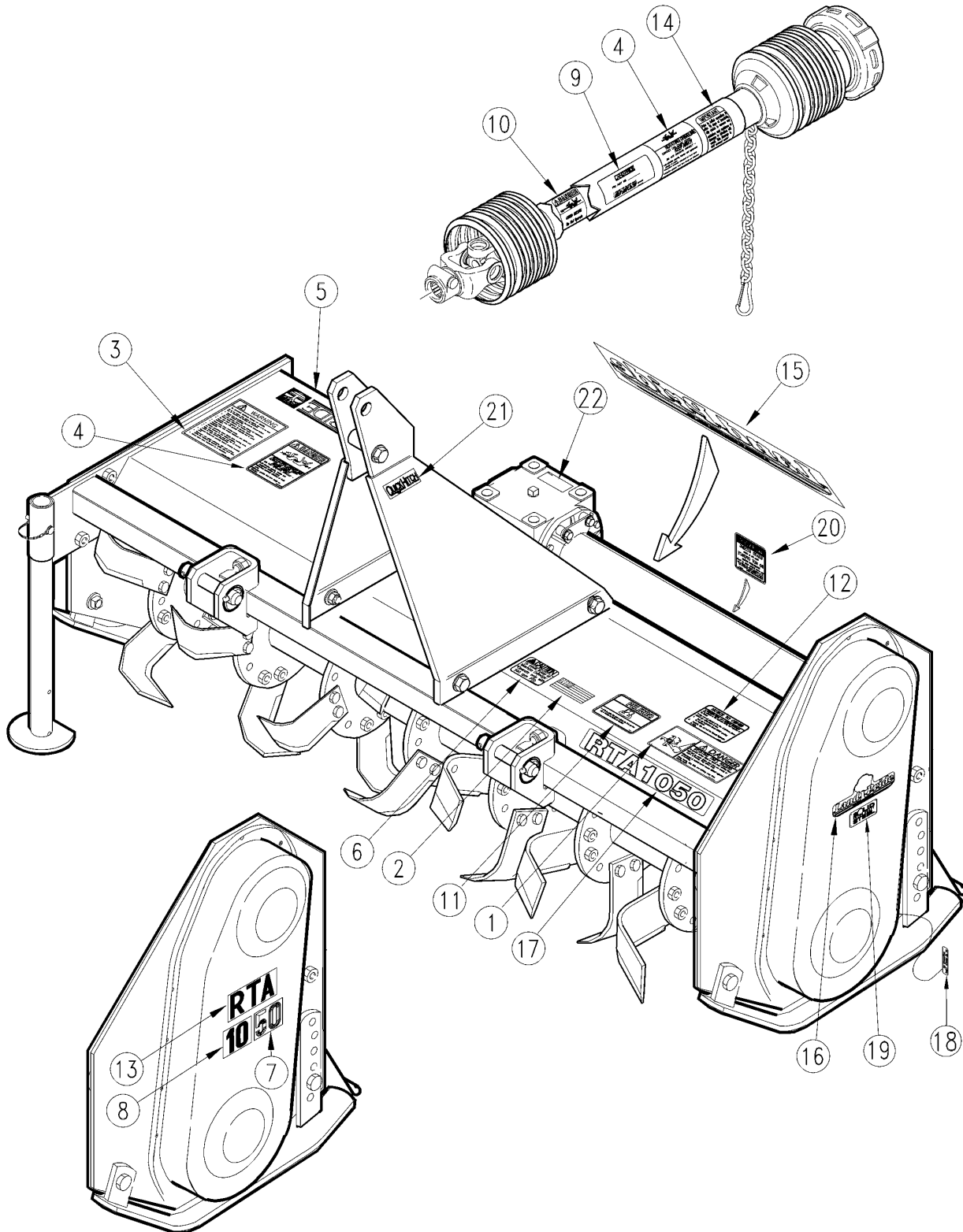
22197

Gearbox (826-271C) OMNI**Applies to RTA1034, RTA1042, RTA1050, RTA1058**

Ref	Part No.	Part Description	Comments	Revision
	dwg22197	Drawing Image Number		
	826-271C	RPBY 826-013C *		
	RTA1042	(S/N 246671- 246680)		
	RTA1050	(S/N 246681- 246685)		
	RTA1034	(S/N 246733- 246742)		
1.	010115	OMNI HOUSING		
2.	020164	OMNI CAP CANTILEVERED		
3.	020165	OMNI CAP BLANK		
4.	020166	OMNI CAP, THRU		
5.	030295	OMNI GEAR 24T (1.5)		
6.	030296	OMNI PINION 16T (1.5)		
7.	040179	OMNI INPUT SHAFT 1 3/8"-6 SPL		
8.	040180	OMNI OUTPUT SHFT 1 3/8"-6 SPL		
9.	822-167C	BEARING TAPER ROLLER 30207 SET		Rev. 2
9.	050170	REP BY 822-167C (SET)		Rev 1; Use up stock
10.	822-167C	BEARING TAPER ROLLER 30207 SET		Rev. 2
10.	050172	REP BY 822-167C (SET)		Rev 1; Use up stock
11.	060133	OMNI SEAL 50.95X34.93X9.53mm		
12.	060134	OMNI SEAL 73.18x42.85x9.53mm		
13.	070218	OMNI GASKET, CAP 0.10MM		
14.	070219	OMNI GASKET, CAP 0.20MM		
15.	070220	OMNI GASKET, CAP 0.30MM		
16.	080039	OMNI KEY, SQUARE 10X25		
17.	090099	OMNI SPACER		
18.	802-159C	HHCS 5/16-18X1 GR5		Rev. 2
18.	110004	REP BY 802-159C		Rev 1; Use up stock
19.	804-009C	WASHER LOCK SPRING 5/16 PLT		Rev. 2
19.	130006	REP BY 804-009C		Rev 1; Use up stock
20.	140004	OMNI PLUG, SOCKET HD. 1/2 PIPE		
21.	8.6.7.00269	CO 1/2" GAS BREATHER PLUG		Rev. 2
21.	140033	REP BY 8.6.7.00269		Rev 1; Use up stock
22.	200142	OMNI RETAINING RING, 35MM		

Label Placement

Applies to RTA1034, RTA1042, RTA1050, RTA1058



17584

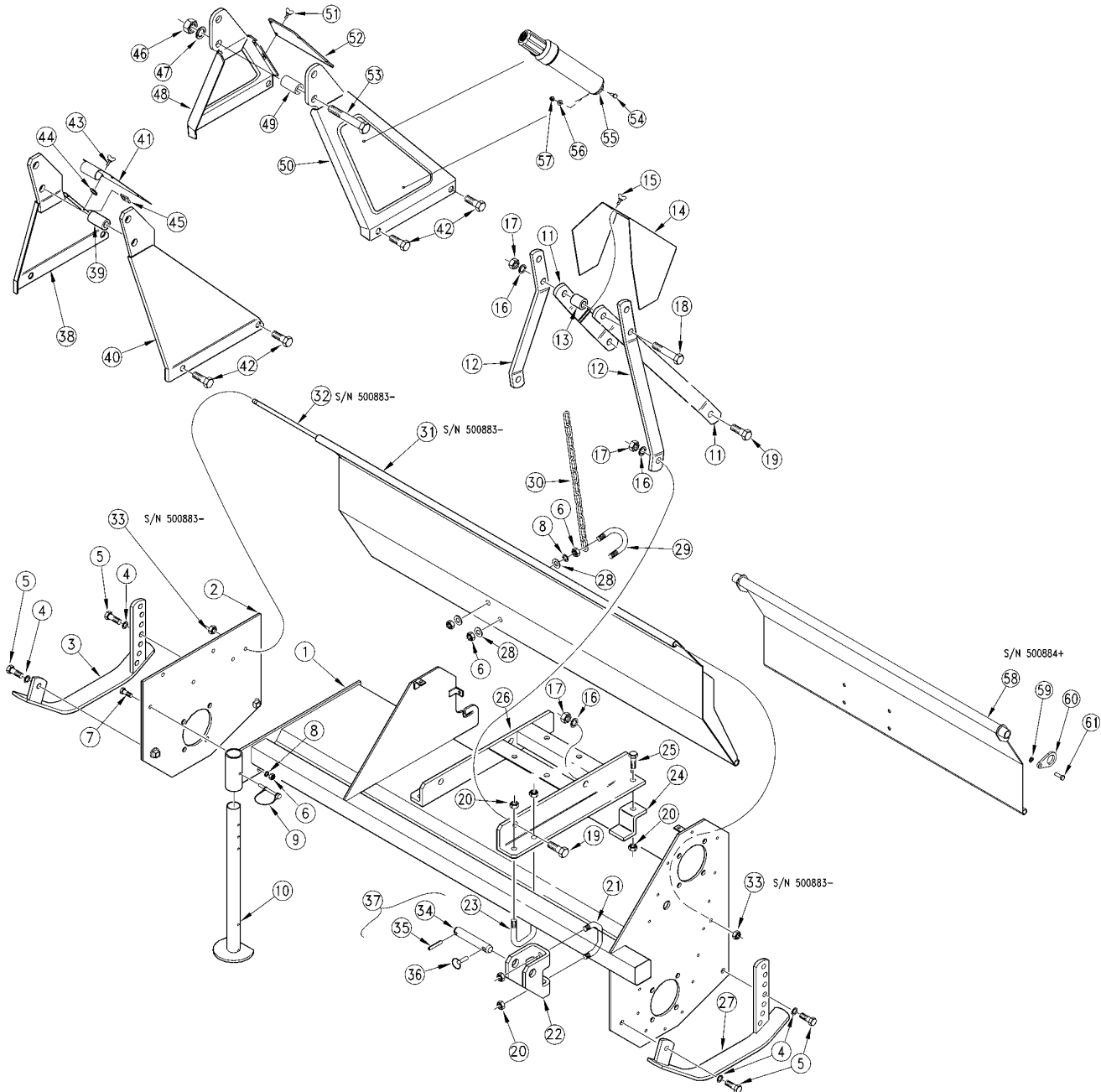
Label Placement

Applies to RTA1034, RTA1042, RTA1050, RTA1058

Ref	Part No.	Part Description	Comments	Revision
	dwg17584	Drawing Image Number		
	311-061A	RTA10/15 SAFETY DECAL PACKAGE	Includes items 1, 3, 6, and 10; two each of item 4	
	311-185A	RTA1034 DECAL PACKAGE	Includes items 1 through 13	
	311-186A	RTA1042 DECAL PACKAGE	Includes items 1 through 13	
	311-187A	RTA1050 DECAL PACKAGE	Includes items 1 through 13	
	311-188A	RTA1058 DECAL PACKAGE	Includes items 1 through 13	
1.	818-171C	DECAL DANGER ROTATING TINES		
2.	818-190C	DECAL FLAG		
3.	818-858C	DECAL CAUTION GENERAL SAFETY	(S/N 243232+)	Rev. 2 not compat. w/Rev. 1
3.	818-350C	DECAL CAUTION GENERAL SAFETY	(S/N 243231-)	Rev. 1
4.	818-552C	DECAL DANGER PTO DRIVELINE		
5.	818-164C	LP LOGO SMALL GREEN	(S/N 255499-)	
6.	818-130C	DECAL CAUTION 540 RPM		
7.	818-167C	DECAL 34" LP - BLACK	(S/N 255499-)	
7.	818-168C	DECAL 42" LP - BLACK	(S/N 255499-)	
7.	818-169C	DECAL 50" LP - BLACK	(S/N 255499-)	
7.	818-170C	DECAL 58" LP - BLACK	(S/N 255499-)	
8.	818-166C	DECAL 10 SERIES LP - BLACK	(S/N 255499-)	
9.	818-176C	DECAL PTO 10 SERIES TLLR SHEAR BOLT		
9.	818-177C	DECAL PTO 10 SERIES TLLR SLIP CLUTCH		
10.	818-540C	DECAL DANGER GUARD MISS PTO		
11.	818-557C	DECAL DANGER CANNOT READ ENG	(S/N 255499-)	
12.	818-560C	DECAL NOTICE TO OWNER-NO WARRA		
13.	818-744C	DECAL RTA LAND PRIDE BLACK	(S/N 255499-)	
14.	818-680C	DECAL IMPORTANT - SLIP CLUTCH	(S/N 211783+)	
15.	818-907C	DECAL LANDPRIDE 22" - BROWN	(S/N 255500+) Beige Unit	
15.	838-966C	DECAL LANDPRIDE 22" BROWN/GOLD	Green, Orange, Red & Blue Unit	
16.	818-896C	DECAL LP W/TREE 6" - 2 COLOR	(S/N 255500+) Beige Unit	
16.	838-968C	DECAL LP 6 W/TREE BROWN/GOLD	Green, Orange, Red & Blue Unit	
17.	818-941C	DECAL RTA1034-BROWN	(S/N 255500+) Beige Unit	
17.	838-907C	DECAL RTA1034-GOLD	Green, Orange, Red & Blue Unit	
17.	818-942C	DECAL RTA1042-BROWN	(S/N 255500+) Beige Unit	
17.	838-908C	DECAL RTA1042-GOLD	Green, Orange, Red & Blue Unit	
17.	818-943C	DECAL RTA1050-BROWN	(S/N 255500+) Beige Unit	
17.	838-909C	DECAL RTA1050-GOLD	Green, Orange, Red & Blue Unit	
17.	818-944C	DECAL RTA1058-BROWN	(S/N 255500+) Beige Unit	
17.	838-910C	DECAL RTA1058-GOLD	Green, Orange, Red & Blue Unit	
18.	838-415C	DECAL SHELL ALVANIA EP 00	(S/N 343520+)	
19.	838-537C	DECAL SOLID ROTOR SHAFT STEEL		
20.	818-543C	DECAL DANGER PD GUARD MISS SML		
21.	838-517C	DECAL QUICK HITCH		
22.	818-862C	DECAL 5 YEAR GEARBOX WARRANTY		

Frame

Applies to RTA1542, RTA1550, RTA1558



10140

Frame**Applies to RTA1542, RTA1550, RTA1558**

Ref	Part No.	Part Description	Comments	Revision
	dwg10140	Drawing Image Number		
1.	311-028H	FRAME WELDMENT 1542 TILLER		
1.	311-028H81	FRAME WELDMENT 1542 TILLER GREEN		
1.	311-028H82	FRAME WELDMENT 1542 TILLER ORANGE		
1.	311-028H83	FRAME WELDMENT 1542 TILLER RED		
1.	311-028H84	FRAME WELDMENT 1542 TILLER BLUE		
1.	311-027H	FRAME WELDMENT 1550 TILLER		
1.	311-027H81	FRAME WELDMENT 1550 TILLER GREEN		
1.	311-027H82	FRAME WELDMENT 1550 TILLER ORANGE		
1.	311-027H83	FRAME WELDMENT 1550 TILLER RED		
1.	311-027H84	FRAME WELDMENT 1550 TILLER BLUE		
1.	311-027H	FRAME WELDMENT 1558 TILLER		
1.	311-027H81	FRAME WELDMENT 1558 TILLER GREEN		
1.	311-027H82	FRAME WELDMENT 1558 TILLER ORANGE		
1.	311-027H83	FRAME WELDMENT 1558 TILLER RED		
1.	311-027H84	FRAME WELDMENT 1558 TILLER BLUE		
2.	311-017H	RH END PLATE WELDMT 10/15 TILR		
2.	311-017H81	RH END PLATE WELDMT 10/15 TILR GREEN		
2.	311-017H82	RH END PLATE WELDMT 10/15 TILR ORANGE		
2.	311-017H83	RH END PLATE WELDMT 10/15 TILR RED		
2.	311-017H84	RH END PLATE WELDMT 10/15 TILR BLUE		
3.	311-007H	RH SKIDSHOE 10/15 TILLER		
3.	311-007H81	RH SKIDSHOE 10/15 TILLER GREEN		
3.	311-007H82	RH SKIDSHOE 10/15 TILLER ORANGE		
3.	311-007H83	RH SKIDSHOE 10/15 TILLER RED		
3.	311-007H84	RH SKIDSHOE 10/15 TILLER BLUE		
4.	804-015C	WASHER LOCK SPRING 1/2 PLT		
5.	802-034C	HHCS 1/2-13X1 1/4 GR5		
6.	803-014C	NUT HEX 3/8-16 PLT		
7.	802-017C	HHCS 3/8-16X1 GR5		
8.	804-013C	WASHER LOCK SPRING 3/8 PLT		
9.	805-065C	PIN WIRE RETAINING 1/4 X 1 3/4		
10.	311-014H	STAND LEG 10/15 TILLER		
10.	311-014H81	STAND LEG 10/15 TILLER GREEN		
10.	311-014H82	STAND LEG 10/15 TILLER ORANGE		
10.	311-014H83	STAND LEG 10/15 TILLER RED		
10.	311-014H84	STAND LEG 10/15 TILLER BLUE		
11.	311-030H	TOP HITCH BRACE WELDMT 10/15		
12.	311-032D	TOP HITCH ARM 10/15 TLR		
13.	311-038D	TOP HITCH SPACER 10/15 TLR		
14.	311-071D	PTO GUARD 10/15 TILR		
15.	801-042C	SCREW THUMB 5/16-18 X 5/8 PLT		
16.	804-022C	WASHER LOCK SPRING 5/8 PLT		
17.	803-021C	NUT HEX 5/8-11 PLT		
18.	802-162C	HHCS 5/8-11X3 1/2 GR5		
19.	802-051C	HHCS 5/8-11X1 1/2 GR5		
20.	803-147C	NUT HEX NYLOCK 1/2-13		
21.	806-048C	U-BOLT 1/2-13 X2 7/8X2 1/16SPL		
22.	311-052H	LOWER HITCH CLEVIS RTA 10/15		
22.	311-052H81	LOWER HITCH CLEVIS RTA 10/15 GREEN		
22.	311-052H82	LOWER HITCH CLEVIS RTA 10/15 ORANGE		
22.	311-052H83	LOWER HITCH CLEVIS RTA 10/15 RED		
22.	311-052H84	LOWER HITCH CLEVIS RTA 10/15 BLUE		
23.	806-005C	U-BOLT 1/2-13 X 2 X 3 GR 5		
24.	311-068D	GEARBOX MOUNT CLIP 15 TILLER		
25.	802-091C	HHCS 1/2-13X1 1/2 GR5		
26.	311-025H	GEARBOX MOUNT SUBFRAME		
26.	311-025H81	GEARBOX MOUNT SUBFRAME GREEN		

Frame (continued)

Applies to RTA1542, RTA1550, RTA1558

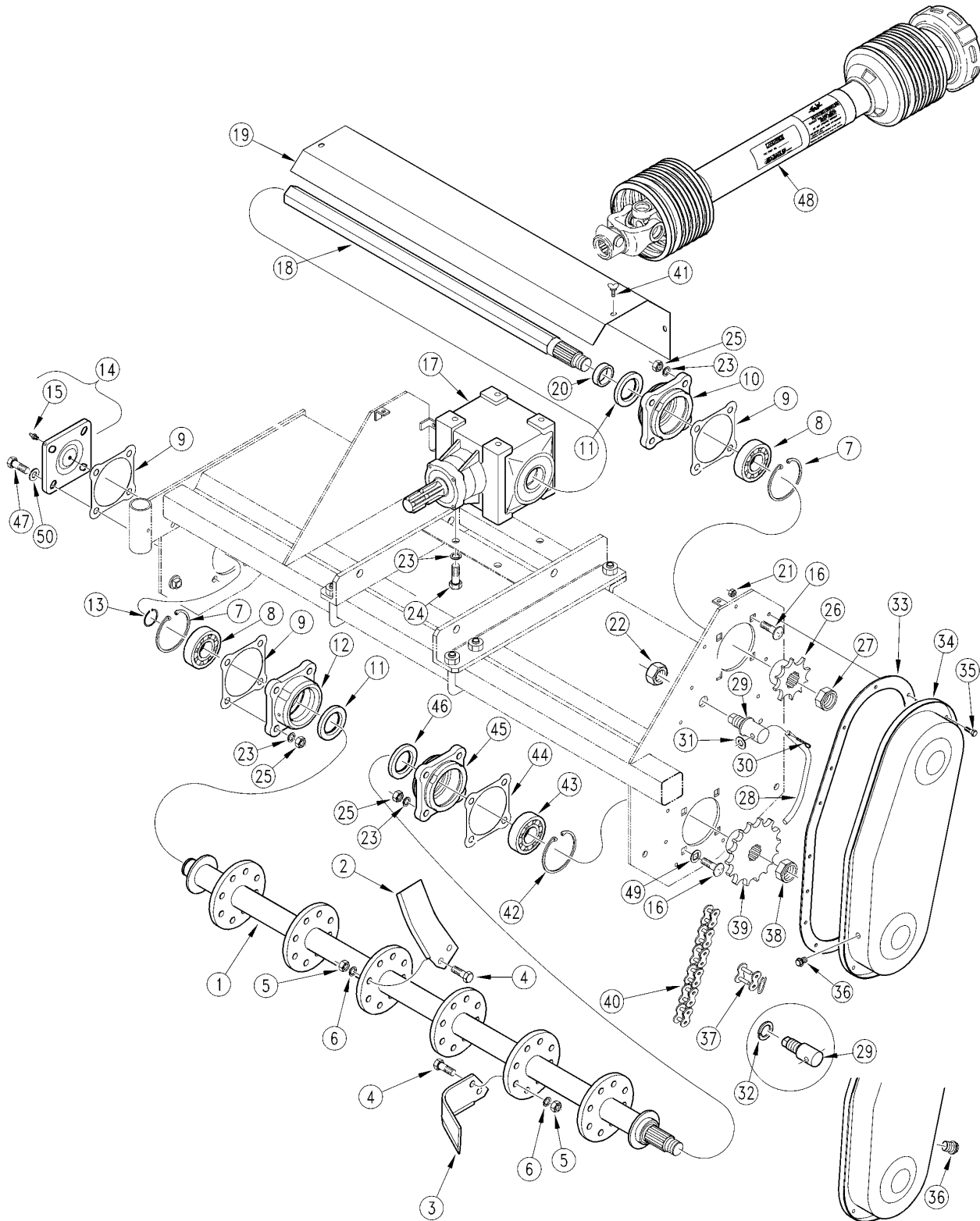
Ref	Part No.	Part Description	Comments	Revision
26.	311-025H82	GEARBOX MOUNT SUBFRAME ORANGE		
26.	311-025H83	GEARBOX MOUNT SUBFRAME RED		
26.	311-025H84	GEARBOX MOUNT SUBFRAME BLUE		
27.	311-006H	LH SKIDSHOE 10/15 TILLER		
27.	311-006H81	LH SKIDSHOE 10/15 TILLER GREEN		
27.	311-006H82	LH SKIDSHOE 10/15 TILLER ORANGE		
27.	311-006H83	LH SKIDSHOE 10/15 TILLER RED		
27.	311-006H84	LH SKIDSHOE 10/15 TILLER BLUE		
28.	804-011C	WASHER FLAT 3/8 USS PLT		
29.	806-049C	U-BOLT 3/8-16 X2 1/32X2 5/8SPL		
30.	311-077D	REAR DEFLECTOR CHAIN 10/15		
31.	311-190H	RTA10/1542 REAR DEFL WELDMENT		
31.	311-190H81	RTA10/1542 REAR DEFL WELDMENT GREEN		
31.	311-190H82	RTA10/1542 REAR DEFL WELDMENT ORANGE		
31.	311-190H83	RTA10/1542 REAR DEFL WELDMENT RED		
31.	311-190H84	RTA10/1542 REAR DEFL WELDMENT BLUE		
31.	311-189H	RTA10/1550 REAR DEFL WELDMENT		
31.	311-189H81	RTA10/1550 REAR DEFL WELDMENT GREEN		
31.	311-189H82	RTA10/1550 REAR DEFL WELDMENT ORSNGE		
31.	311-189H83	RTA10/1550 REAR DEFL WELDMENT RED		
31.	311-189H84	RTA10/1550 REAR DEFL WELDMENT BLUE		
31.	311-192H	RTA10/1558 REAR DEFL WELDMENT		
31.	311-192H81	RTA10/1558 REAR DEFL WELDMENT GREEN		
31.	311-192H82	RTA10/1558 REAR DEFL WELDMENT ORANGE		
31.	311-192H83	RTA10/1558 REAR DEFL WELDMENT RED		
31.	311-192H84	RTA10/1558 REAR DEFL WELDMENT BLUE		
32.	311-052D	REAR DEFL ROD 10/1542 TILR		
32.	311-051D	REAR DEFL ROD 10/1550 TILR		
32.	311-062D	REAR DEFL ROD 10/1558 TILLER		
33.	803-013C	NUT LOCK 3/8-16 PLT		
34.	805-198C	PIN LOWER HITCH 7/8X3 1/16USBL		Rev. 2
34.	310-074D	RPBY 805-198C		Rev 1; Use up stock
35.	805-041C	PIN ROLL 1/4X1 3/4		
36.	805-015C	PIN LYNCH 5/16 X 1 3/4		
37.	310-020S	LOWER HITCH PIN ASSEMBLY	Includes items 34, and 35	
38.	311-173E	RH HEAVY HITCH RTA15	(S/N 278043-)	
39.	311-093D	TOP SPACER HEAVY HITCH RTA	(S/N 278043-)	
40.	311-174E	LH HEAVY HITCH RTA15	(S/N 278043-)	
41.	311-215D	PTO GUARD RTA15 (HEAVY HITCH)	(S/N 278043-)	
42.	802-050C	HHCS 5/8-11X1 1/4 GR5		
43.	800-096C	STUD 1/4 TURN WING HD #85-360	(S/N 278043-)	
44.	800-098C	RETAINER SPLIT RING #85	(S/N 278043-)	
45.	800-097C	RECPTCLE 1/4 TURN CLIP ON #85	(S/N 278043-)	
46.	803-027C	NUT HEX 3/4-10 PLT	(S/N 278044+)	
47.	804-023C	WASHER LOCK SPRING 3/4 PLT	(S/N 278044+)	
48.	311-266E	RH HVY TOP HITCH RTA10/15	(S/N 278044+)	
48.	311-266E81	RH HVY TOP HITCH RTA10/15 GREEN		
48.	311-266E82	RH HVY TOP HITCH RTA10/15 ORANGE		
48.	311-266E83	RH HVY TOP HITCH RTA10/15 RED		
48.	311-266E84	RH HVY TOP HITCH RTA10/15 BLUE		
49.	308-400D	SPACER 1 1/4OD X 25/32ID X 2LG	(S/N 278044+)	
50.	311-265E	LH HVY TOP HITCH RTA10/15	(S/N 278044+)	
50.	311-265E81	LH HVY TOP HITCH RTA10/15 GREEN		
50.	311-265E82	LH HVY TOP HITCH RTA10/15 ORANGE		
50.	311-265E83	LH HVY TOP HITCH RTA10/15 RED		

Frame (continued)**Applies to RTA1542, RTA1550, RTA1558**

Ref	Part No.	Part Description	Comments	Revision
50.	311-265E84	LH HVY TOP HITCH RTA10/15 BLUE		
51.	801-042C	SCREW THUMB 5/16-18 X 5/8 PLT	(S/N 278044+)	
52.	311-347D	RTA10/15 3PT GB SHAFT GUARD	(S/N 278044+)	
52.	311-347D81	RTA10/15 3PT GB SHAFT GUARD GREEN		
52.	311-347D82	RTA10/15 3PT GB SHAFT GUARD ORANGE		
52.	311-347D83	RTA10/15 3PT GB SHAFT GUARD RED		
52.	311-347D84	RTA10/15 3PT GB SHAFT GUARD BLUE		
53.	802-068C	HHCS 3/4-10X4 GR5	(S/N 306787+)	Rev. 2
53.	802-067C	HHCS 3/4-10X4 GR5 FTHD	(S/N 278044 <-> 306786)	Rev 1; Use up stock
54.	802-005C	HHCS 1/4-20X1 GR5	(S/N 543608+)	
55.	816-504C	MANUAL STORAGE CONTAINER	(S/N 543608+)	
56.	804-007C	WASHER FLAT 1/4 SAE PLT	(S/N 543608+)	
57.	803-255C	NUT HEX NYLOCK 1/4-20	(S/N 543608+)	
58.	311-445H	TAILGATE WELDMENT	RTA1050	
58.	311-445H81	TAILGATE WELDMENT GREEN		
58.	311-445H82	TAILGATE WELDMENT ORANGE		
58.	311-445H83	TAILGATE WELDMENT RED		
58.	311-445H84	TAILGATE WELDMENT BLUE		
58.	311-449H	TAILGATE WELDMENT	RTA1058	
58.	311-449H81	TAILGATE WELDMENT GREEN		
58.	311-449H82	TAILGATE WELDMENT ORANGE		
58.	311-449H83	TAILGATE WELDMENT RED		
58.	311-449H84	TAILGATE WELDMENT BLUE		
59.	804-009C	WASHER LOCK SPRING 5/16 PLT		
60.	311-663D	TAILGATE LOCK 10 & 15 SERIES		
61.	802-738D	HHCS 5/16-18X1 GR5 ZNYCR		

Drive

Applies to RTA1542, RTA1550, RTA1558



10141

Drive**Applies to RTA1542, RTA1550, RTA1558**

Ref	Part No.	Part Description	Comments	Revision
	dwg10141	Drawing Image Number		
1.	311-020H	ROTOR SHAFT WELDMENT 1542		
1.	311-019H	ROTOR SHAFT WELDMENT 1550		
1.	311-018H	ROTOR SHAFT WELDMENT 1558		
2.	820-056C	BLADE TILLER 10 & 15 SERIES RH	42" = 10; 50" = 12; 58" = 14	
3.	820-055C	BLADE TILLER 10 & 15 SERIES LH	42" = 10; 50" = 12; 58" = 14	
4.	802-248C	SP TINE HHCS 1/2-20X1 1/4 GR5		
5.	803-018C	NUT HEX 1/2-20 PLT		
6.	804-015C	WASHER LOCK SPRING 1/2 PLT		
7.	800-053C	SNAP RING INT 3.523 OD		
8.	822-082C	BEARING 307		
9.	816-070C	GASKET BRG MNT 10/15 TILLER		
10.	311-014D	BEARING MOUNT 10/15 TILLER		
11.	816-068C	SEAL 1.75 X 2.75 X .313		
12.	311-042D	RH BOTTOM BRG MNT 10/15 TILR		
13.	800-079C	SNAP RING EXT 1 3/8 5100-137		
14.	311-135S	RH BRG COVER W/ZRK RTA10/15/25		Rev. 2
14.	311-005H	RPBY 311-135S		Rev. 1
15.	800-080C	GREASE ZERK 1/4-28 THD FORMING	(S/N 242272+)	Rev. 3 not compat. w/Rev. 2
15.	800-095C	ZERK GREASE 1/4 DRIVE #1952	(S/N 242271-)	Rev. 2 not compat. w/Rev. 1
15.	800-001C	GREASE ZERK STRAIGHT 1/4-28		Rev. 1
16.	802-477C	RHSSNB 1/2-13 X 1 1/2 GR5	(S/N 148160+)	Rev. 2 not compat. w/Rev. 1
16.	802-091C	HHCS 1/2-13X1 1/2 GR5	(S/N 148159-)	Rev. 1
17.	826-016C	CO GEARBOX	(S/N 315212-) (S/N 317508+) Refer to page 3-3	
17.	826-016C81	CO GEARBOX GREEN		
17.	826-016C82	CO GEARBOX ORANGE		
17.	826-016C83	CO GEARBOX RED		
17.	826-016C84	CO GEARBOX BLUE		
17.	826-300C	EC GBOX RTA15 EBM25	(S/N 315213 <-> 317507)	
18.	815-029C	DRIVE SHAFT 1542 TILLER		
18.	815-028C	DRIVE SHAFT 1550 TILLER		
18.	815-027C	DRIVE SHAFT 1558 TILLER		
19.	311-085D	DRIVE SHAFT GUARD 1542 TILLER		
19.	311-085D81	DRIVE SHAFT GUARD 1542 TILLER GREEN		
19.	311-085D82	DRIVE SHAFT GUARD 1542 TILLER ORANGE		
19.	311-085D83	DRIVE SHAFT GUARD 1542 TILLER RED		
19.	311-085D84	DRIVE SHAFT GUARD 1542 TILLER BLUE		
19.	311-084D	DRIVE SHAFT GUARD 1550 TILLER	(S/N 286435+) (S/N 286404-)	Rev. 2
19.	311-084D81	DRIVE SHAFT GUARD 1550 TILLER GREEN		
19.	311-084D82	DRIVE SHAFT GUARD 1550 TILLER ORANGE		
19.	311-084D83	DRIVE SHAFT GUARD 1550 TILLER RED		
19.	311-084D84	DRIVE SHAFT GUARD 1550 TILLER BLUE		
19.	311-363D	DRIVE SHAFT GUARD 1550 TILLER	(S/N 286405 <-> 286434)	Rev. 1
19.	311-030D	DRIVE SHAFT GUARD 1558 TILLER		
19.	311-030D81	DRIVE SHAFT GUARD 1558 TILLER GREEN		
19.	311-030D82	DRIVE SHAFT GUARD 1558 TILLER ORANGE		
19.	311-030D83	DRIVE SHAFT GUARD 1558 TILLER RED		
19.	311-030D84	DRIVE SHAFT GUARD 1558 TILLER BLUE		
20.	311-054D	TOP BRG SPACER 15 TILLER		
21.	803-007C	NUT LOCK 1/4-20 PLT		
22.	803-157C	NUT HEX FLANGE 7/8-14 UNF PLT		
23.	804-015C	WASHER LOCK SPRING 1/2 PLT		
24.	802-258C	HHCS 1/2-13X1 GR5		
25.	803-020C	NUT HEX 1/2-13 PLT		
26.	808-092C	SPKT 80B12 1 3/8-21		
27.	803-153C	NUT LT JAM 1 1/8-12 NYLN INSRT		
28.	807-062C	CHAIN TIGHTENER 10/15 TILR		

Drive (continued)

Applies to RTA1542, RTA1550, RTA1558

Ref	Part No.	Part Description	Comments	Revision
29.	308-171D	CHAIN TENSIONER ADJUSTER	For (S/N 139355-) use with item 32	
30.	805-069C	PIN COTTER 3/16 X 1		
31.	804-016C	WASHER FLAT 1/2 SAE PLT		
32.	804-037C	WASHER LOCK SPRING 7/8 PLT		
33.	816-069C	GASKET CHAIN GRD 10/15 TILR		
34.	311-012H	CHAIN GUARD WELDMT 10/15 TILR		
34.	311-012H81	CHAIN GUARD WELDMT 10/15 TILR GREEN		
34.	311-012H82	CHAIN GUARD WELDMT 10/15 TILR ORANGE		
34.	311-012H83	CHAIN GUARD WELDMT 10/15 TILR RED		
34.	311-012H84	CHAIN GUARD WELDMT 10/15 TILR BLUE		
35.	802-719C	HFSS 1/4-20X7/8 GR5	(S/N 372753+	Rev. 2
35.	802-257C	HFSS 1/4-20X3/4 GR5		Rev. 1
36.	800-066C	DRAIN PLUG 3/4-16 UNF PLATED		
37.	809-089C	CONNECTOR #80 HIGH TENSILE		
38.	803-155C	NUT LT JAM 1 1/4-12 NYLN INSRT		
39.	808-093C	SPKT 80B16 16/32-23 SPLINE		Rev. 2
39.	311-312D	RPBY 808-093C		Rev 1; Use up stock
40.	809-083C	CHAIN RL #80X44 HIGH TENSILE		
41.	801-042C	SCREW THUMB 5/16-18 X 5/8 PLT		
42.	800-078C	SNAP RING INT 90 MM		
43.	822-084C	BEARING 308		
44.	816-071C	15 TILLER LH BOTTOM BRG GASKET		
45.	311-015D	BOTTOM BRG MOUNT 15 TILLER		
46.	816-084C	SEAL 2 X 3.1875 X 0.469		
47.	802-082C	HHCS 1/2-13X1 3/4 GR5		
48.	826-023C	PTO SHEAR BOLT 15 TILLER	Refer to pages 3-4 and 3-5	
48.	826-024C	PTO SLIP CLUTCH 15 TILLER	Refer to page 3-6	
49.	816-280C	GASKET 1.03OD.515SQ.HL1/32THK		
50.	804-094C	WASHER FLAT 1/2 HARD ASTMF436		

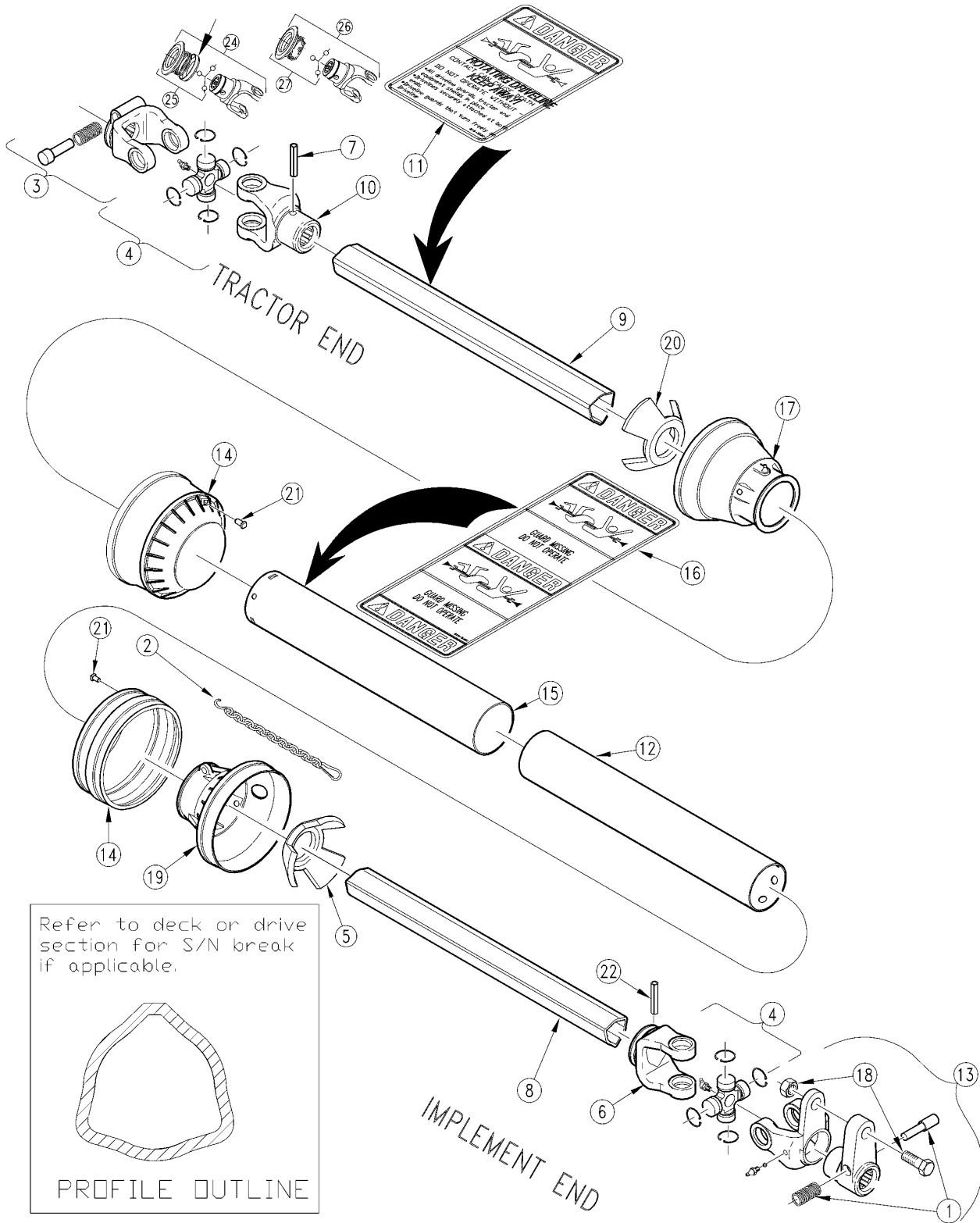
Drive (continued)

Applies to RTA1542, RTA1550, RTA1558

This Page Intentionally Left Blank

Driveline (826-023C) Eurocardan

Applies to RTA1542, RTA1550, RTA1558



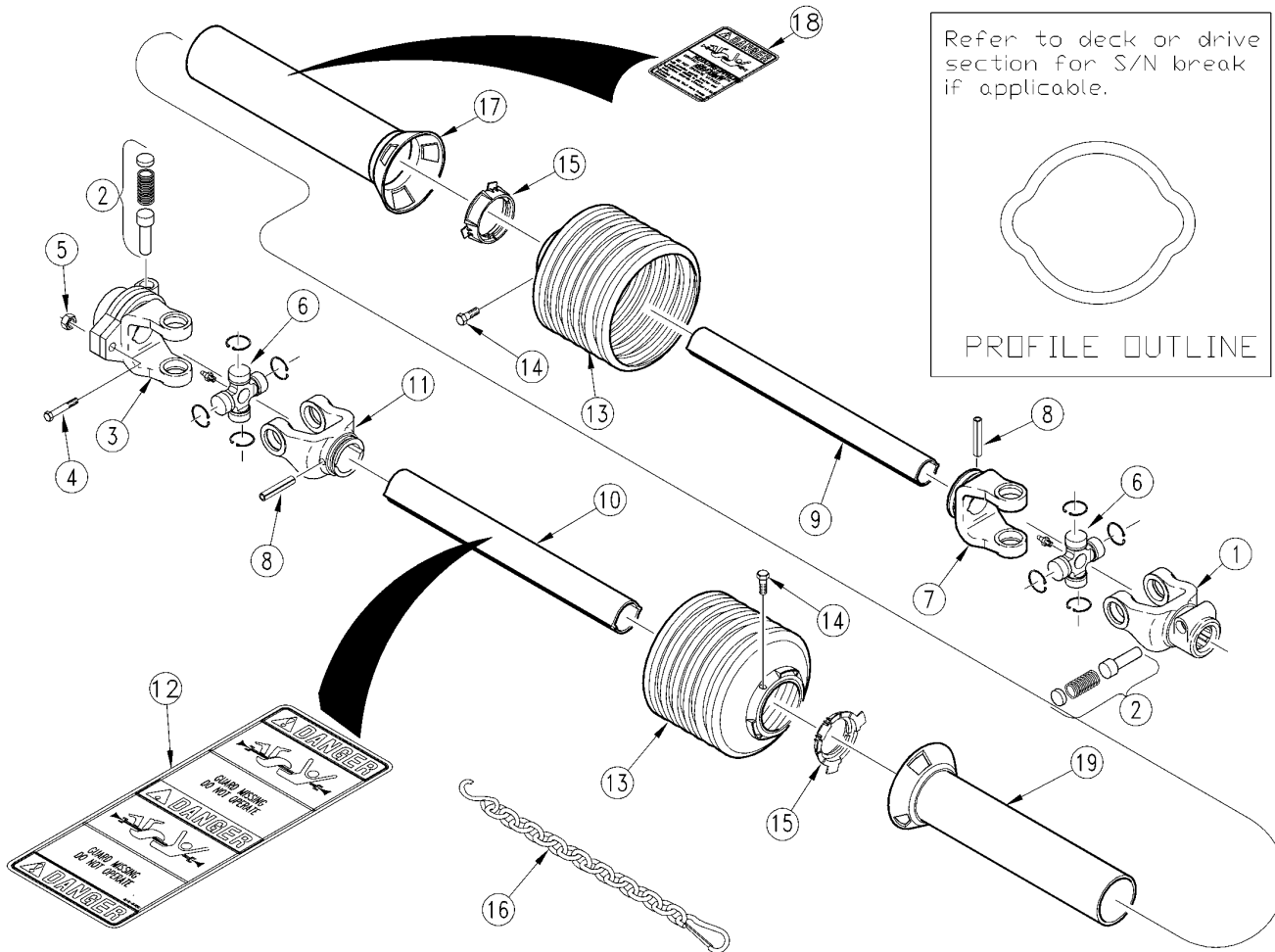
13205

Driveline (826-023C) Eurocardan**Applies to RTA1542, RTA1550, RTA1558**

Ref	Part No.	Part Description	Comments	Revision
	dwg13205	Drawing Image Number		
	826-023C	PTO SHEAR BOLT 15 TILLER		
1.	1581038	EC COMPLETE PUSH-PIN KIT		Rev. 2
1.	1006038	RPBY 1581038		Rev 1; Use up stock
2.	044321	DRIVELINE SHIELD SAFETY CHAIN		Rev. 2
2.	1006065	RPBY 044321		Rev 1; Use up stock
3.	1024010	EC YOKE ASSEMBLY (TRACT. END)		Rev. 2
3.	1704110	RPBY 1024010		Rev 1; Use up stock
4.	1004020	EC CROSS ASSEMBLY (U JOINT)		
5.	1784211	EC TUBE BEARING		Rev. 2
5.	1783016	RPBY 1784211		Rev 1; Use up stock
6.	1704029	EC INNER TUBE YOKE		
7.	6330860	EC 08X60 1485DIN ROLL PIN		
8.	1525037	EC INNER TUBE (1525062) 370MM		Rev. 2
8.	1534302	RPBY 1525037		Rev 1; Use up stock
9.	1524037	EC OUTER TUBE (1524062) 370MM		Rev. 2
9.	1534316	RPBY 1524037		Rev 1; Use up stock
10.	1704027	EC OUTER TUBE YOKE		
11.	818-552C	DECAL DANGER PTO DRIVELINE		
12.	1872029	EC INNER TUBE (1872050) 290MM		Rev. 2
12.	1884329	EC INNER TUBE (1872050)		Rev 1; Use up stock
13.	1484037	EC BOLT TRQ LIMITER (IMP END)		Rev. 2
13.	1004034	RPBY 1484037		Rev 1; Use up stock
14.	1884203	EC SOFT CONE		Rev. 2
14.	1883013	RPBY 1884203		Rev 1; Use up stock
15.	1873029	EC OUTER TUBE (1873050) 290MM		Rev. 2
15.	1884342	EC OUTER TUBE (1873050)		Rev 1; Use up stock
16.	818-540C	DECAL DANGER GUARD MISS PTO		
17.	1884201	EC OUTER TUBE RIGID CONE		Rev. 2
17.	1883230	RPBY 1884201		Rev 1; Use up stock
18.	802-115C	HHCS 5/16-18X2 GR5	Use 803-011C NUT LOCK 5/16-18 if Required	
19.	1884202	EC INNER TUBE RIGID CONE		Rev. 2
19.	1883231	RPBY 1884202		Rev 1; Use up stock
20.	1784210	EC TUBE BEARING		Rev. 2
20.	1783016	RPBY 1784210		Rev 1; Use up stock
21.	1784212	EC PIN STOP ROTATION		
22.	6330855	EC 8X55-DIN-1481 O/TUBE R/PIN		

Driveline (826-023C) Walterscheid

Applies to RTA1542, RTA1550, RTA1558

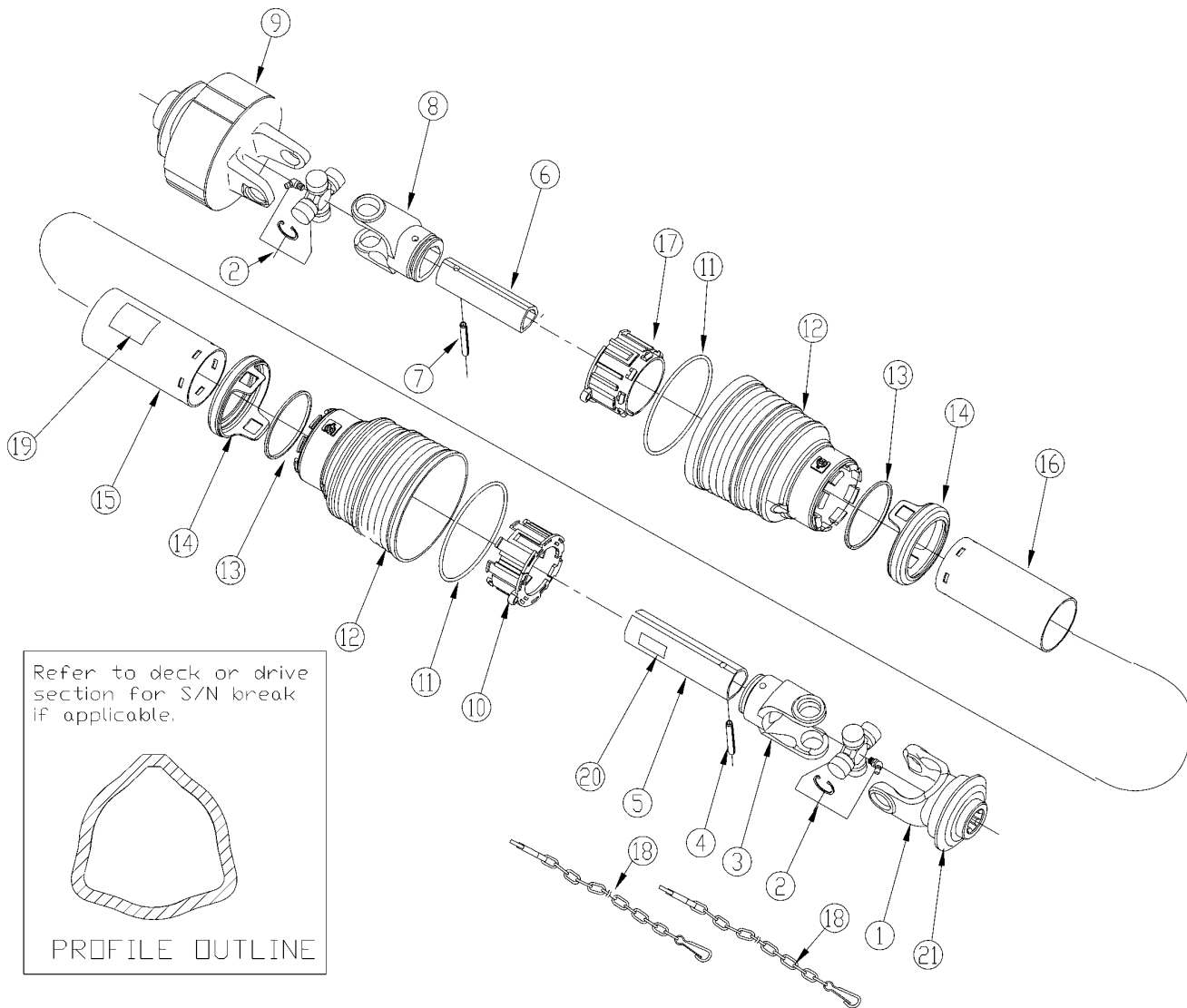


Driveline (826-023C) Walterscheid**Applies to RTA1542, RTA1550, RTA1558**

Ref	Part No.	Part Description	Comments	Revision
	dwg10143	Drawing Image Number		
	826-023C	PTO SHEAR BOLT 15 TILLER		
1.	041378	WS YOKE 1 3/8-6 SPL		
2.	339107	WS Q.D. PIN KIT		
3.	335848	WS SHEARBOLT CLUTCH		
4.	802-115C	HHCS 5/16-18X2 GR5		
5.	803-011C	NUT LOCK 5/16-18 PLT		
6.	044444	WS CROSS & BRG KIT		
7.	041315	WS INBOARD YOKE		
8.	020614	WS SPRING PIN		
9.	048360	WS INNER PROFILE OV		
10.	048242	WS OUTER PROFILE I		
11.	041318	WS INBOARD YOKE		
12.	818-552C	DECAL DANGER PTO DRIVELINE		Rev. 2
12.	383334	WS DNGR DECAL-STEEL		Rev 1; Use up stock
13.	377235	WS SHIELD CONE 5 RIB		
14.	365305	WS SCREW		
15.	087279	WS BEARING RING		
16.	044321	DRIVELINE SHIELD SAFETY CHAIN		
17.	386717	WS OUT SHIELD TB OVL		
18.	818-540C	DECAL DANGER GUARD MISS PTO		Rev. 2
18.	383333	WS DANGER DECAL-SHLD		Rev 1; Use up stock
19.	381924	WS INN SHIELD TB RND		

Driveline (826-024C) Eurocardan

Applies to RTA1542, RTA1550, RTA1558

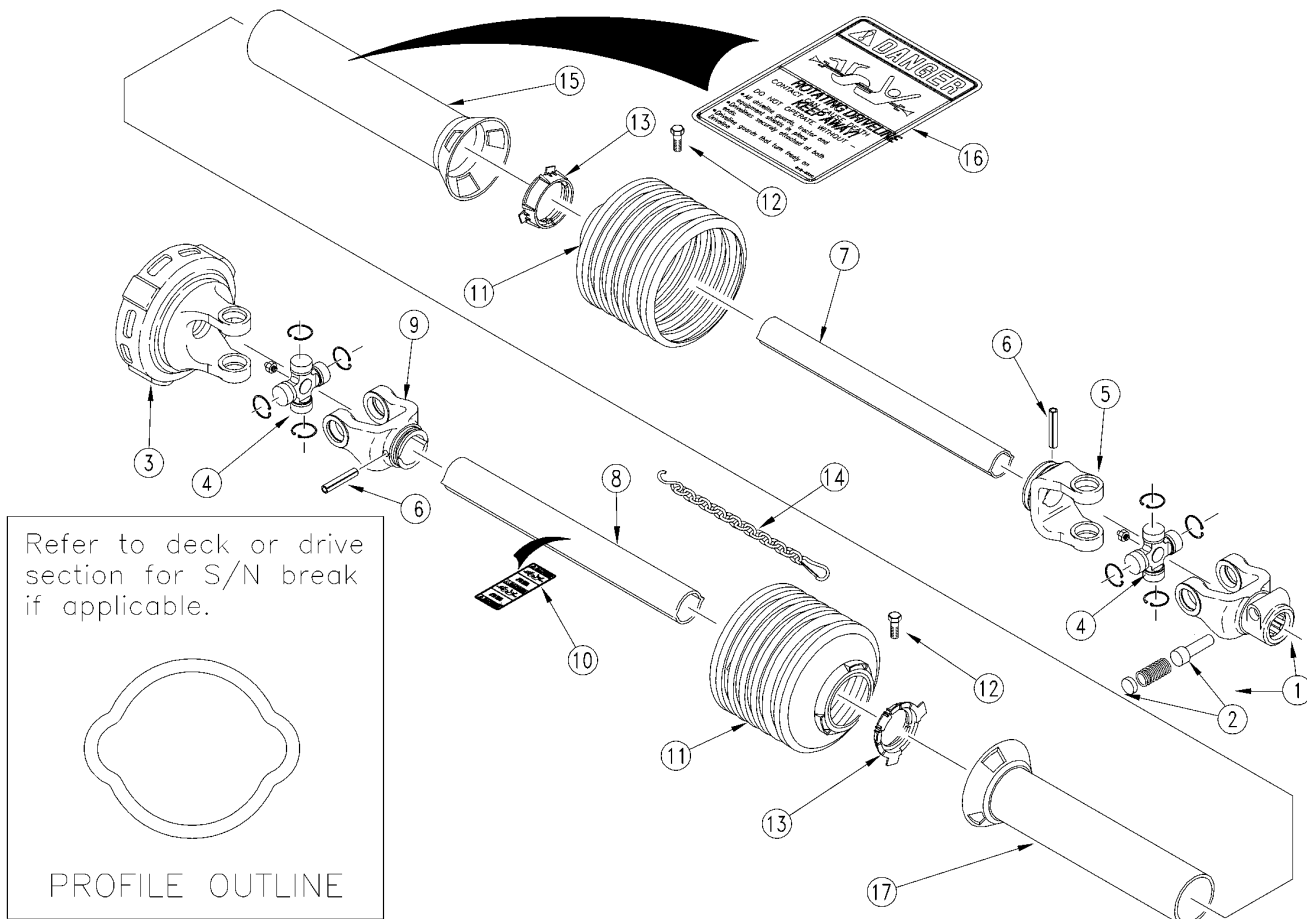


Driveline (826-024C) Eurocardan**Applies to RTA1542, RTA1550, RTA1558**

Ref	Part No.	Part Description	Comments	Revision
	dwg22000	Drawing Image Number		
	826-024C	PTO AX2 SLIP CLUTCH 05 TILLER *		
1.	1015012	EC YOKE ASSEMBLY		
2.	1005020	EC CROSS ASSEMBLY		
3.	1705027	EC OUTER TUBE YOKE		
4.	6331075	EC 10X75-DIN-1485 ROLL PIN		
5.	1527035	EC OUTER TUBE (1527056) 350MM		
6.	1526035	EC INNER TUBE (1526084) 350MM		
7.	6331065	EC 10X65-DIN-1485 ROLL PIN		
8.	1705029	EC INNER TUBE YOKE		
9.	1385605	EC CLUTCH ASSY. BD1/5 680Nm		
10.	1785710	EC TUBE BEARING (OUTER TUBE)		
11.	1215733	EC STIFFENING RING		
12.	1885703	EC STANDARD CONE		
13.	1215735	EC STOP RING		
14.	1885709	EC SAFETY SLEEVE		
15.	1876025D	EC OUTER TUBE (1876094) 250MM		
16.	1877025	EC INNER TUBE (1877094) 250MM		
17.	1785711	EC TUBE BEARING (INNER TUBE)		
18.	044321	DRIVELINE SHIELD SAFETY CHAIN		Rev. 2
18.	1006065	REP BY 044321		Rev 1; Use up stock
19.	818-552C	DECAL DANGER PTO DRIVELINE		Rev. 2
19.	1140001	REP BY 818-552C		Rev 1; Use up stock
20.	818-540C	DECAL DANGER GUARD MISS PTO		Rev. 2
20.	1140003	REP BY 818-540C		Rev 1; Use up stock
21.	1004225	EC PULL COLLAR KIT		

Driveline (826-024C) Walterscheid

Applies to RTA1542, RTA1550, RTA1558

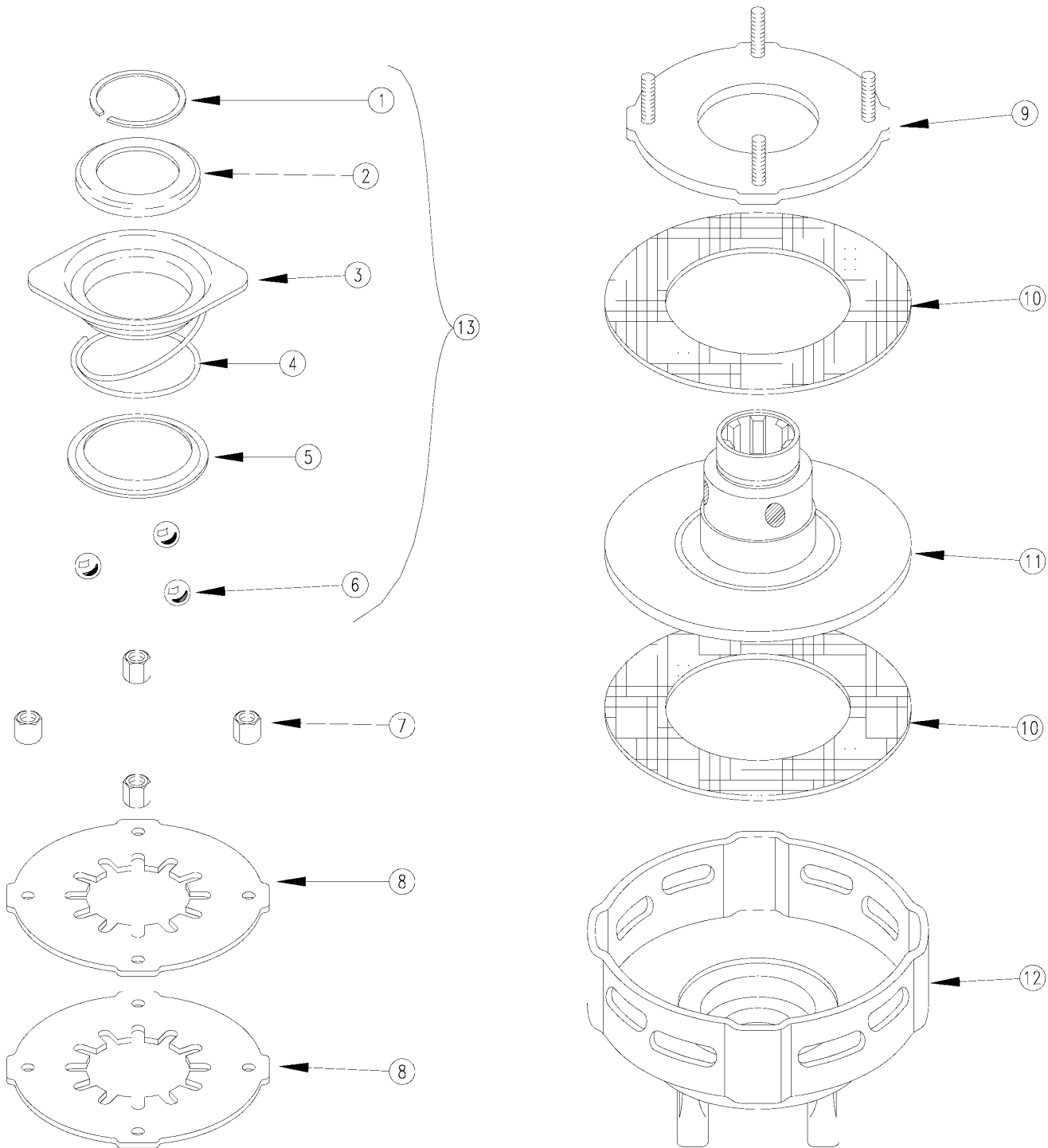


Driveline (826-024C) Walterscheid**Applies to RTA1542, RTA1550, RTA1558**

Ref	Part No.	Part Description	Comments	Revision
	dwg10144	Drawing Image Number		
	826-024C	PTO SLIP CLUTCH 15 TILLER		
1.	041378	WS YOKE 1 3/8-6 SPL		
2.	339107	WS Q.D. PIN KIT		
3.	053331	WS FRICTION CLUTCH		
4.	044444	WS CROSS & BRG KIT		
5.	041315	WS INBOARD YOKE		
6.	020614	WS SPRING PIN		
7.	048360	WS INNER PROFILE OV		
8.	048242	WS OUTER PROFILE I		
9.	041318	WS INBOARD YOKE		
10.	818-552C	DECAL DANGER PTO DRIVELINE		Rev. 2
10.	383334	WS DNGR DECAL-STEEL		Rev 1; Use up stock
11.	377235	WS SHIELD CONE 5 RIB		
12.	365305	WS SCREW		
13.	087279	WS BEARING RING		
14.	044321	DRIVELINE SHIELD SAFETY CHAIN		
15.	386717	WS OUT SHIELD TB OVL		
16.	818-540C	DECAL DANGER GUARD MISS PT		Rev. 2
16.	383333	WS DANGER DECAL-SHLD		Rev 1; Use up stock
17.	381924	WS INN SHIELD TB RND		

Driveline Slip Clutch (053331) Walterscheid

Applies to RTA1542, RTA1550, RTA1558



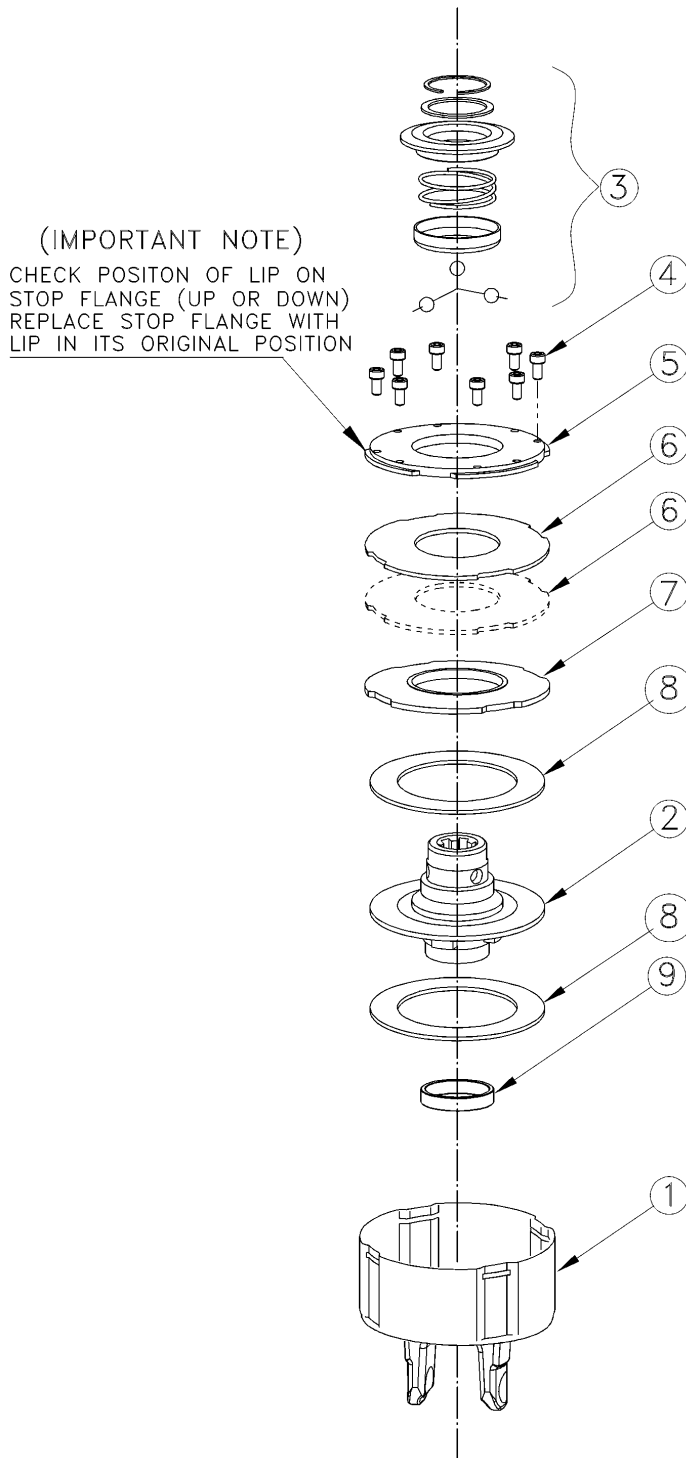
10139

Driveline Slip Clutch (053331) Walterscheid**Applies to RTA1542, RTA1550, RTA1558**

Ref	Part No.	Part Description	Comments	Revision
	dwg10139	Drawing Image Number		
	053331	WS FRICTION CLUTCH		
1.	304149	WS SNAP RING		
2.	338531	WS FLANGED RING		
3.	045790	WS LOCK COLLAR		
4.	045793	WS COMPRESSION SPRNG		
5.	047825	WS BACK UP RING		
6.	020692	WS BALL		
7.	381957	WS HEX NUT M8		
8.	043489	WS BELLEVILLE SPRING		
9.	381495	WS THRUST PLATE		
10.	168556	WS FRICTION DISK		
11.	051551	WS HUB 1 3/8-6 SPL		
12.	041368	WS CLUTCH HOUSING		
13.	341953	WS Q.D. FLG. KIT	Includes items 1 through 5; three of item 6	

Driveline Slip Clutch (1385605) Eurocardan

Applies to RTA1542, RTA1550, RTA1558



21302

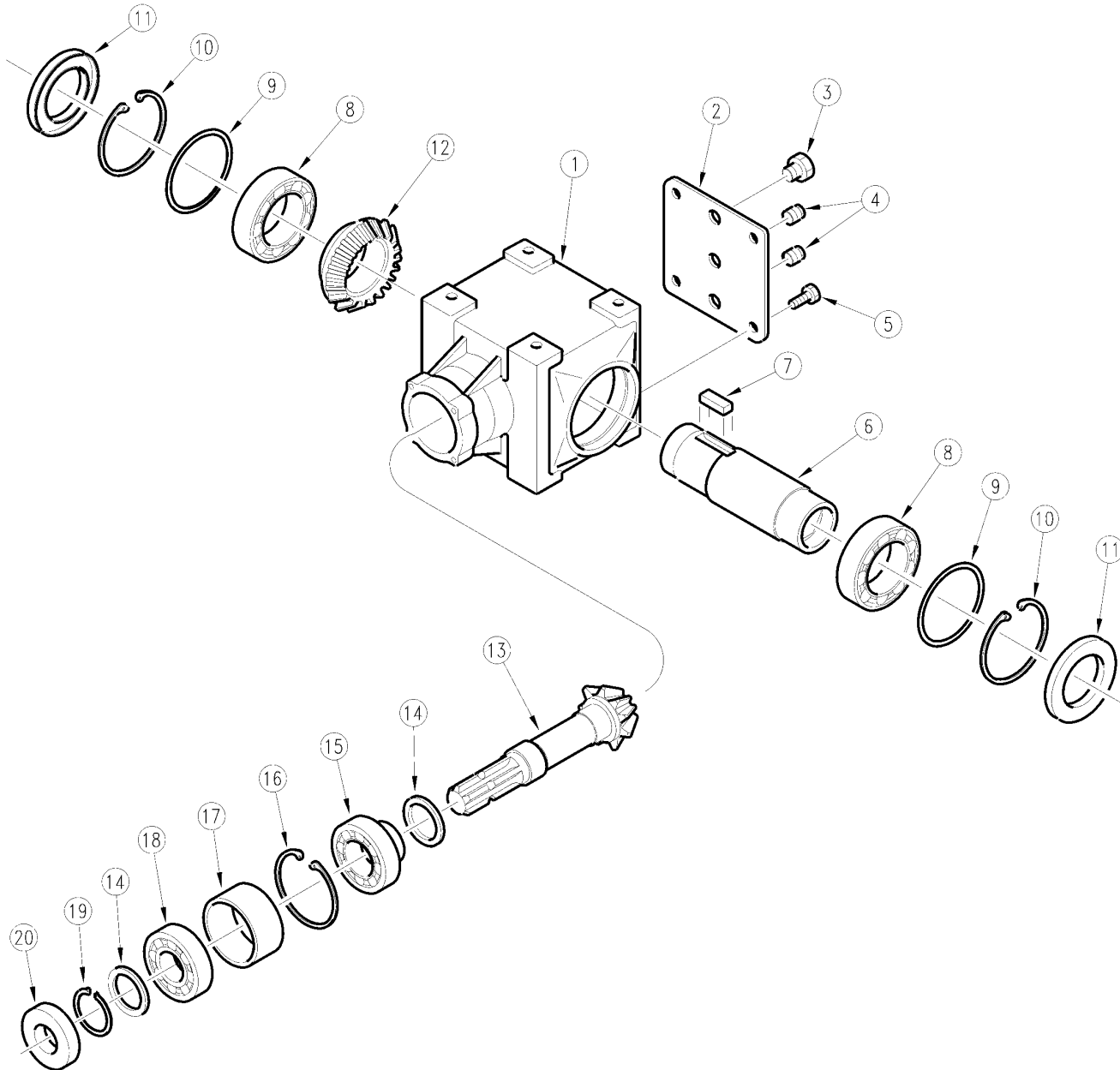
Driveline Slip Clutch (1385605) Eurocardan

Applies to RTA1542, RTA1550, RTA1558

Ref	Part No.	Part Description	Comments	Revision
	dwg21302	Drawing Image Number		
	1385605	EC CLUTCH ASSY. BD1/5 680Nm		
1.	1385001	EC OUTER BODY FOR BD2/5		
2.	1704065	EC HUB WITH FLG. (1.38-6)		
3.	1004225	EC PULL COLLAR KIT		
4.	6040816	EC SCREW M8 X 16		
5.	1134012	EC CLOSURE FLANGE		
6.	1216906	EC SPRING KIT (R680Nm)		
7.	1134011	EC PRESSURE FLANGE		
8.	1806010	EC FRICTION DISC		
9.	1705009	EC CLUTCH BUSHING		

Gearbox (826-016C) Comer (S/N 362216- and 469909+)

Applies to RTA1542, RTA1550, RTA1558



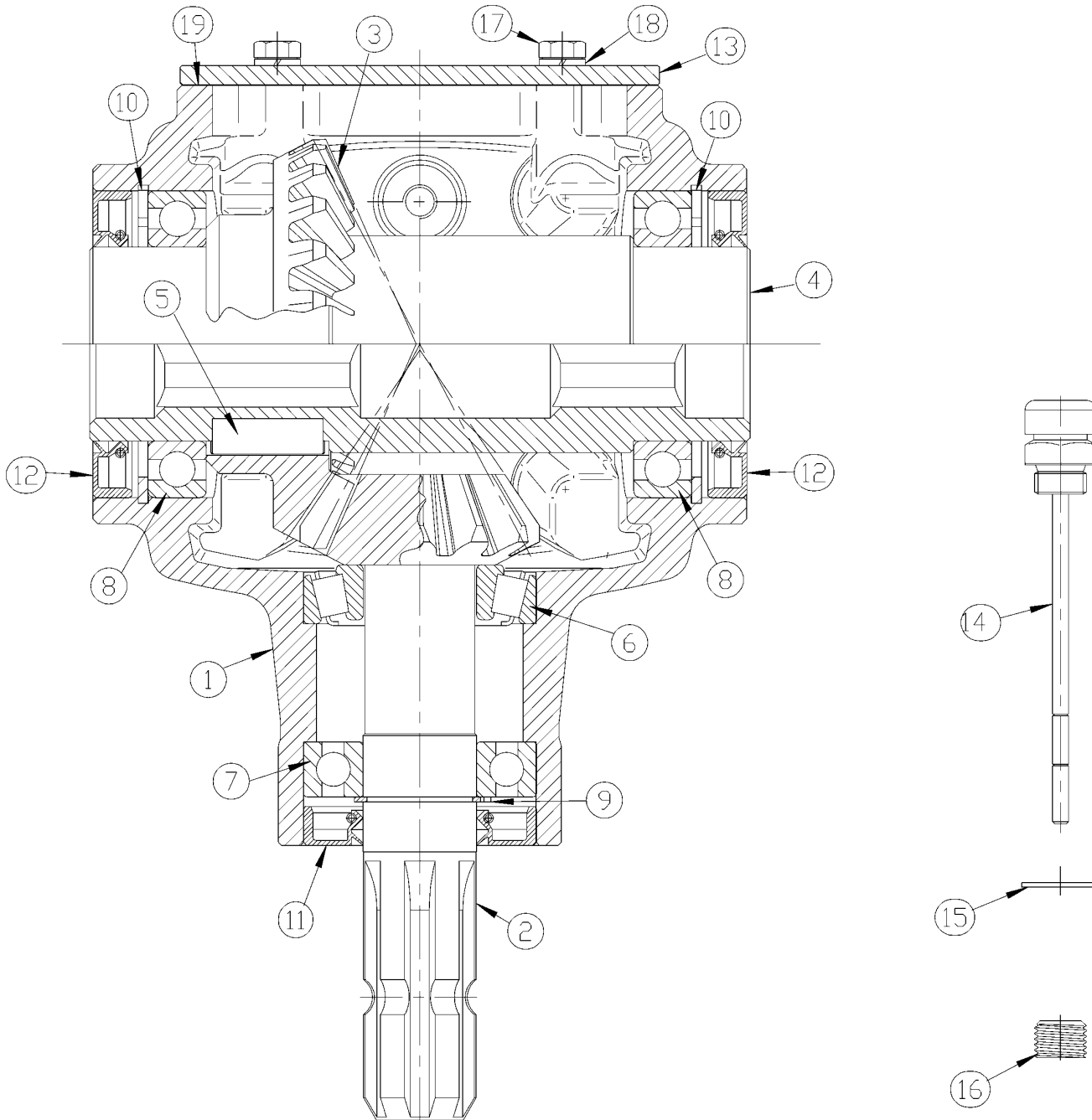
10142

Gearbox (826-016C) Comer (S/N 362216- and 469909+)**Applies to RTA1542, RTA1550, RTA1558**

Ref	Part No.	Part Description	Comments	Revision
	dwg10142	Drawing Image Number		
	826-016C	15 SERIES TILLER GEARBOX		
1.	0.267.0508.00	CO HOUSING		
2.	0.267.1300.00	CO REAR COVER		
3.	0.107.7100.01	CO OIL FILTER PLUG		
4.	8.6.5.00006	CO OIL PLUG 3/8		
5.	8.1.1.00054	CO BOLT M10X20 8.8		
6.	0.267.4601.00	CO OUTPUT SHAFT 1 1/2 HEX BORE		
7.	8.4.1.01028	CO KEY 14X9X35		
8.	8.0.1.00169	CO BEARING 6012		
9.	0.268.7500.00	CO SHIM KIT		Rev. 2
9.	A268.5000	CO SHIM KIT		Rev 1; Use up stock
10.	8.5.2.01027	CO SNAP RING		
11.	0.267.7104.00	CO SEAL DOUBLE LIP 60X95X10		
12.	0.267.6001.00	CO RING GEAR 23 TOOTH		
13.	0.267.5002.00	CO PINION SHAFT GEAR 12 TOOTH		
14.	A.259.500	CO ADJUST SPACER KIT, 35.3 X48		Rev. 2
14.	0.259.7500.00	REP BY A.259.500		Rev 1; Use up stock
15.	822-167C	BEARING TAPER ROLLER 30207 SET		Rev. 2
15.	8.0.9.00026	REP BY 822-167C		Rev 1; Use up stock
16.	8.5.2.00131	CO SNAP RING INT 72 UN17437		
17.	0.267.7100.00	CO SPACER		
18.	822-166C	BEARING BALL 6207		Rev. 3
18.	8.0.1.00870	REP BY 822-166C		Rev 2; Use up stock
18.	8.0.1.00025	RPBY 8.0.1.00870		Rev 1; Use up stock
19.	8.5.1.00005	CO SNAP RING EXT 35 UN17435		
20.	8.7.1.00152	OIL SEAL, 35 X 72 X 12/10		

Gearbox (826-300C) EC (S/N 362217 to 469908) RTA1558 (S/N 315213 to 317507)

Applies to RTA1542, RTA1550, RTA1558



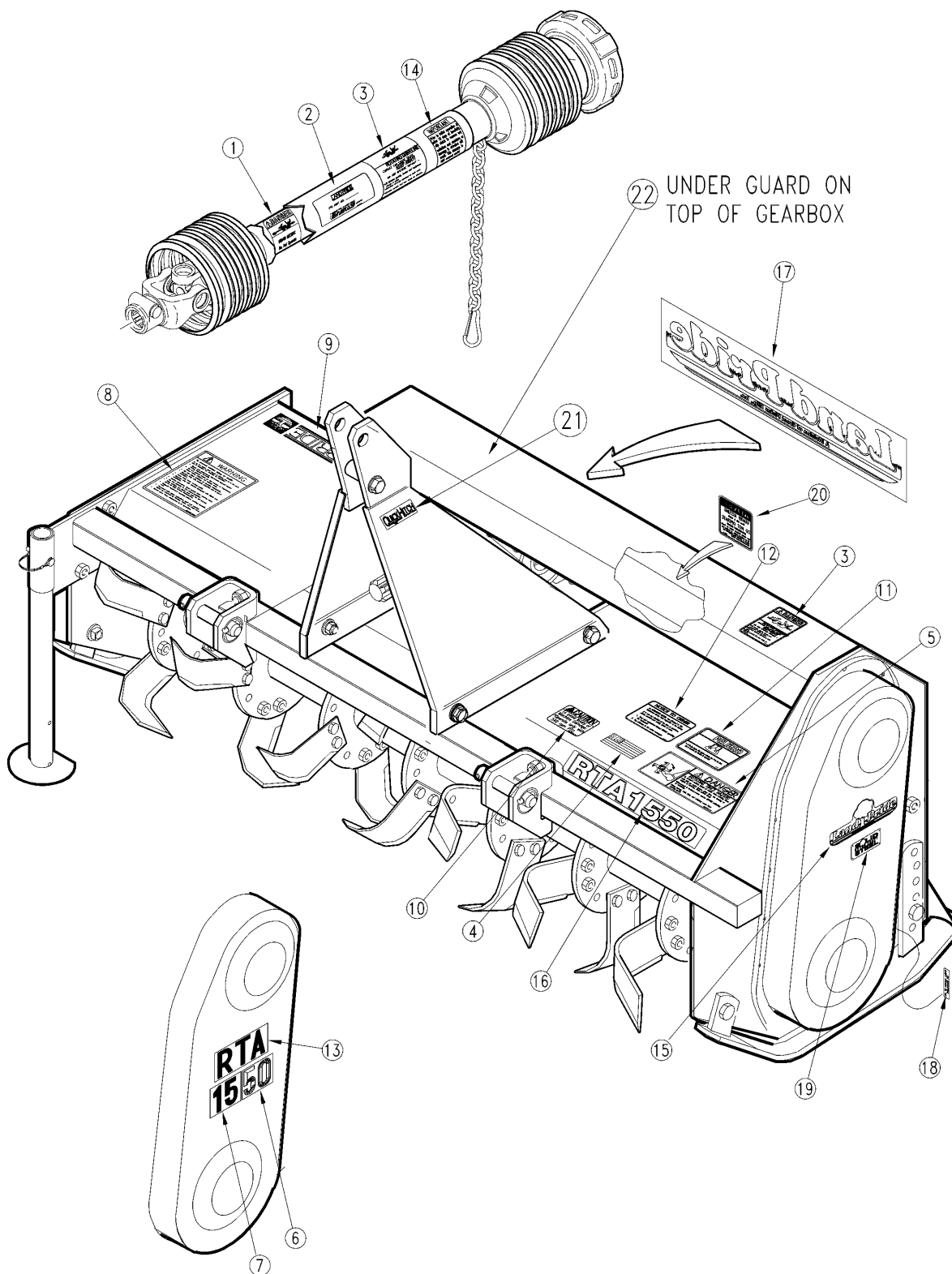
22183

Gearbox (826-300C) EC (S/N 362217 to 469908) RTA1558 (S/N 315213 to 317507)

Ref	Part No	Part Description	Comments	Revision
Applies to RTA1542, RTA1550, RTA1558				
	dwg22183	Drawing Image Number		
	826-300C	RPBY 826-016C		
		*		
1.	16525-03	EC HOUSING		
2.	17225-01	FR BEVEL PINION SHFT Z12 INPUT		
3.	17225-04	EC BEVEL GEAR Z23		
4.	15325-02	EC GEAR SHAFT HEX BORE		
5.	6361835	EC KEY UNI A18X11X35		Rev. 2
5.	6341835	REP BY 6361835		Rev 1; Use up stock
6.	822-167C	BEARING TAPER ROLLER 30207 SET		Rev. 2
6.	69230207	REP BY 822-167C		Rev 1; Use up stock
7.	822-166C	BEARING BALL 6207		Rev. 2
7.	6906207	REP BY 822-166C		Rev 1; Use up stock
8.	2006012	EC BEARING 6012		Rev. 2
8.	6906012	REP BY 2006012		Rev 1; Use up stock
9.	6320035	EC SHAFT ELASTIC RING 35mm DIA		Rev. 2
9.	6320135	REP BY 6320035		Rev 1; Use up stock
10.	6310095	EC BORE ELASTIC RING 95mm DIA.		Rev. 2
10.	6320095	REP BY 6310095		Rev 1; Use up stock
11.	6203572	EC SEAL (DOUBLE RIMS)		Rev. 2
11.	6973572	REP BY 6203572		Rev 1; Use up stock
12.	6206095	EC SEAL (DOUBLE RIMS)		Rev. 2
12.	6976095	REP BY 6206095		Rev 1; Use up stock
13.	19325-00	FR BACK COVER		
14.	65316-05	FR PRESSURE RELIEF AND OIL L P		Rev. 2
14.	6402716	REP BY 6470116		Rev 1; Use up stock
15.	6470116	EC OIL LEVEL PLUG GASKET		Rev. 2
15.	6402716	REP BY 6470116		Rev 1; Use up stock
16.	6481600	FR OIL DRAIN PLUG		
17.	30208025	EC SCREW M8		Rev. 2
17.	6000822	REP BY 30208025		Rev 1; Use up stock
18.	34021008	EC WASHER		Rev. 2
18.	6402108	REP BY 34021008		Rev 1; Use up stock
19.	20825-00	FR BACK COVER PAPER GASKET		

Label Placement

Applies to RTA1542, RTA1550, RTA1558



17585

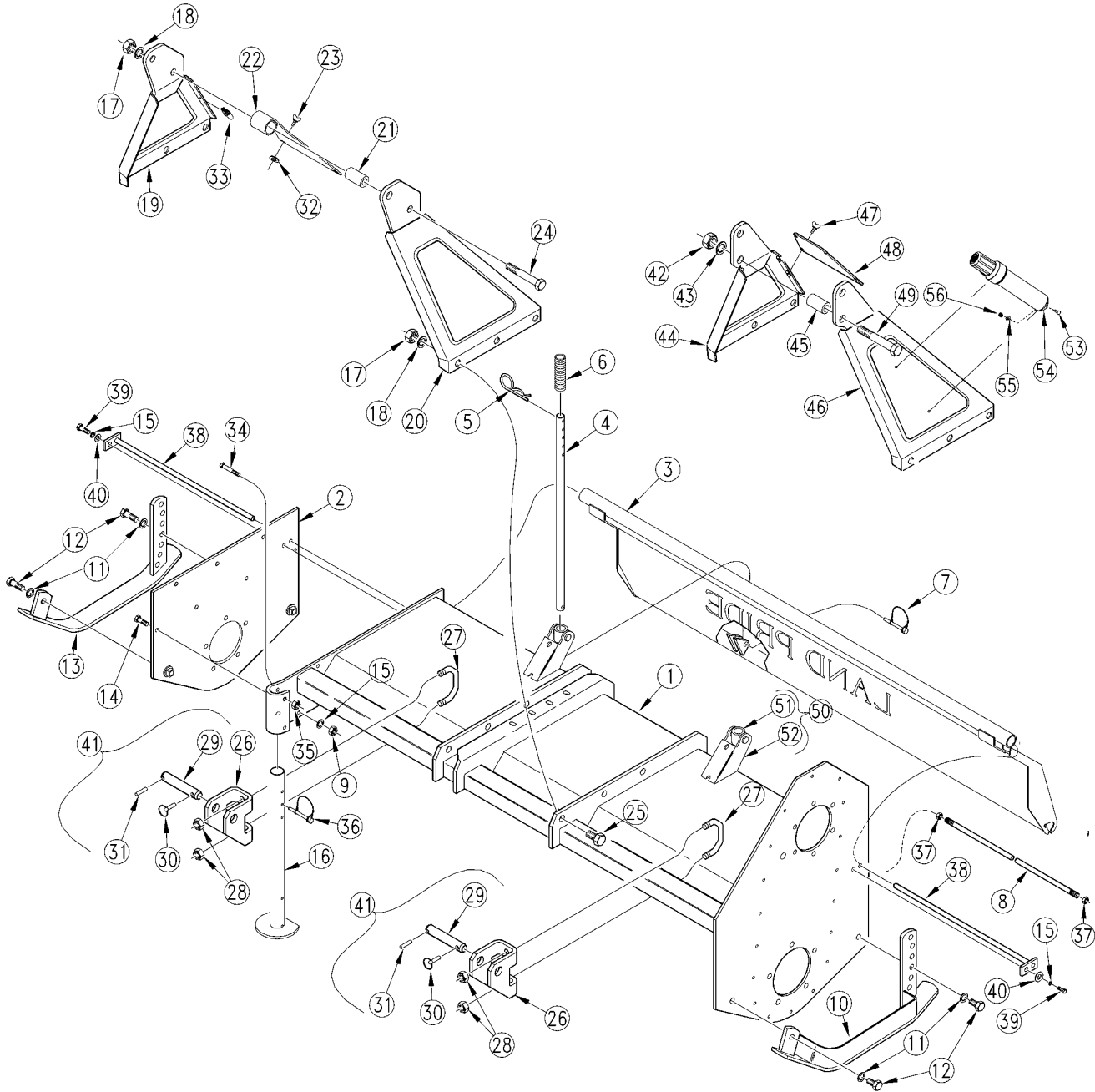
Label Placement

Applies to RTA1542, RTA1550, RTA1558

Ref	Part No.	Part Description	Comments	Revision
	dwg17585	Drawing Image Number		
	311-061A	RTA10/15 SAFETY DECAL PACKAGE	Includes items 1, 4, 5, 8, and 10; two of item 3	
	311-058A	RTA1542 DECAL PACKAGE	Includes items 1 through 13	
	311-059A	RTA1550 DECAL PACKAGE	Includes items 1 through 13	
	311-060A	RTA1558 DECAL PACKAGE	Includes items 1 through 13	
1.	818-540C	DECAL DANGER GUARD MISS PTO		
2.	818-178C	DECAL PTO 15 SERIES TLR SHEAR BOLT		
2.	818-179C	DECAL PTO 15 SERIES TLR SLIP CLUTCH		
3.	818-552C	DECAL DANGER PTO DRIVELINE		
4.	818-190C	DECAL FLAG		
5.	818-171C	DECAL DANGER ROTATING TINES		
6.	818-168C	DECAL 42" LP - BLACK	(S/N 255499-)	
6.	818-169C	DECAL 50" LP - BLACK	(S/N 255499-)	
6.	818-170C	DECAL 58" LP - BLACK	(S/N 255499-)	
7.	818-084C	DECAL 15 SERIES LP - BLACK	(S/N 255499-)	
8.	818-858C	DECAL CAUTION GENERAL SAFETY	(S/N 243232+)	Rev. 2 not compat. w/Rev. 1
8.	818-350C	DECAL CAUTION GENERAL SAFETY	(S/N 243231-)	Rev. 1
9.	818-897C	DECAL LANDPRIDE 10" - BROWN	(S/N 2555004)	Rev. 2
9.	818-164C	LP LOGO SMALL GREEN	(S/N 255499-)	Rev. 1
10.	818-130C	DECAL CAUTION 540 RPM		
11.	818-557C	DECAL DANGER CANNOT READ ENG	(S/N 255499-)	
12.	818-560C	DECAL NOTICE TO OWNER-NO WARRA		
13.	818-744C	DECAL RTA LAND PRIDE BLACK	(S/N 255499-)	
14.	818-680C	DECAL IMPORTANT - SLIP CLUTCH	(S/N 211783+)	
15.	818-896C	DECAL LP W/TREE 6" - 2 COLOR	(S/N 255500+) Beige Unit	
15.	838-968C	DECAL LP 6 W/TREE BROWN/GOLD	Green, Orange, Red & Blue Unit	
16.	818-945C	DECAL RTA1542-BROWN	(S/N 255500+)Beige Unit	
16.	838-914C	DECAL RTA1542-GOLD		
16.	818-946C	DECAL RTA1550-BROWN	(S/N 255500+) Beige Unit	
16.	838-915C	DECAL RTA1550-GOLD	Green, Orange, Red & Blue Unit	
16.	818-947C	DECAL RTA1558-BROWN	(S/N 255500+) Beige Unit	
16.	838-916C	DECAL RTA1558-GOLD	Green, Orange, Red & Blue Unit	
17.	818-907C	DECAL LANDPRIDE 22" - BROWN	(S/N 255500+)	
17.	838-966C	DECAL LANDPRIDE 22" BROWN/GOLD	Green, Orange, Red & Blue Unit	
18.	838-415C	DECAL SHELL ALVANIA EP 00	(S/N 343520+)	
19.	838-537C	DECAL SOLID ROTOR SHAFT STEEL		
20.	817-543C	DECAL DANGER PD GUARD MISS SML		
21.	838-517C	DECAL QUICK HITCH		
22.	818-862C	DECAL 5 YEAR GEARBOX WARRANTY		

Frame

Applies to RTA2534, RTA2542, RTA2548, RTA2555, RTA2562, RTA2570



10375

Frame**Applies to RTA2534, RTA2542, RTA2548, RTA2555, RTA2562, RTA2570**

Ref	Part No.	Part Description	Comments	Revision
	dwg10375	Drawing Image Number		
1.	311-069H	FRAME WELDMENT RTA2534		
1.	311-197H	FRAME WELDMENT RTA2542		
1.	311-070H	FRAME WELDMENT RTA2548		
1.	311-383H	RTA2555 FRAME WELD	(S/N 395687+)	Rev. 2
1.	311-071H	FRAME WELDMENT RTA2555	(S/N 395686-)	Rev 1; Use up stock
1.	311-385H	RTA2562 FRAME WELD	(S/N 395687+)	Rev. 2
1.	311-385H82	RTA2562 FRAME WELD ORANGE		
1.	311-072H	FRAME WELDMENT RTA2562	(S/N 395686-)	Rev 1; Use up stock
1.	311-386H	RTA2570 FRAME WELD	(S/N 395687+)	Rev. 2
1.	311-386H82	RTA2570 FRAME WELD ORANGE		
1.	311-073H	FRAME WELDMENT RTA2570	(S/N 395686-)	Rev 1; Use up stock
2.	311-384H	RTA25 RH ENDPLATE BOLTON	(S/N 395687+)	Rev. 2
2.	311-384H82	RTA25 RH ENDPLT BOLTON ORANGE		
2.	311-107H	RH ENDPLATE WELDMENT RTA25	(S/N 395686-)	Rev 1; Use up stock
3.	311-266H	REAR DEFLECTOR RTA2534	(S/N 72226+)	Rev. 2
3.	311-087H	REAR DEFLECTOR RTA2534	(S/N 72225-)	Rev 1; Use up stock
3.	311-199H	REAR DEFLECTOR RTA2542		
3.	311-088H	REAR DEFLECTOR RTA2548		
3.	311-365H	RTA2555 REAR DEFLECTOR	(S/N 395687+)	Rev. 2
3.	311-089H	REAR DEFLECTOR RTA2555	(S/N 395686-)	Rev 1; Use up stock
3.	311-364H	RTA2562 REAR DEFLECTOR	(S/N 395687+)	Rev. 2
3.	311-364H82	RTA2562 REAR DEFLECTOR ORANGE		
3.	311-090H	REAR DEFLECTOR RTA2562	(S/N 395686-)	Rev 1; Use up stock
3.	311-363H	RTA2570 REAR DEFLECTOR	(S/N 395687+)	Rev. 2
3.	311-363H82	RTA2570 REAR DEFLECTOR ORANGE		
3.	311-091H	REAR DEFLECTOR RTA2570	(S/N 395686-)	Rev 1; Use up stock
4.	311-202D	SPRING ROD RTA25/35/RTR25		
5.	805-143C	PIN HAIR COTTER .120 PLT		Rev. 2
5.	805-032C	PIN HAIR COTTER .148 WIRE		Rev 1; Use up stock
6.	807-007C	SPRING LEVER		
7.	805-065C	PIN WIRE RETAINING 1/4 X 1 3/4		
8.	311-053D	REAR DEFL ROD 10/1534 TILR		
8.	311-230D	REAR DEFLECTOR ROD RTA2542		
8.	311-133D	REAR DEFLECTOR ROD RTA2548		
8.	311-134D	REAR DEFLECTOR ROD RTA2555	(S/N 52499-)	Rev. 1
8.	311-135D	REAR DEFLECTOR ROD RTA2562	(S/N 52499-)	Rev. 1
8.	311-136D	REAR DEFLECTOR ROD RTA2570	(S/N 52499-)	Rev. 1
9.	803-014C	NUT HEX 3/8-16 PLT		
10.	311-097H	LH SKIDSHOE RTA25/35		
10.	311-097H82	LH SKIDSHOE RTA25/35 ORANGE		
11.	804-015C	WASHER LOCK SPRING 1/2 PLT		
12.	802-091C	HHCS 1/2-13X1 1/2 GR5		
13.	311-096H	RH SKIDSHOE RTA25/35		
13.	311-096H82	RH SKIDSHOE RTA25/35 ORANGE		
14.	802-017C	HHCS 3/8-16X1 GR5		
15.	804-013C	WASHER LOCK SPRING 3/8 PLT		
16.	311-101H	PARKING STAND RTA25/35	(S/N 266000+)	Rev. 2
16.	311-101H82	PARKING STAND RTA25/35 ORANGE		
16.	311-100H	RPBY 311-101H	(S/N 265999-)	Rev 1; Use up stock
17.	803-021C	NUT HEX 5/8-11 PLT		
18.	804-022C	WASHER LOCK SPRING 5/8 PLT		
19.	311-102E	RH TOP HITCH WELDMT RTA/RTR25	(S/N 278043-)	
20.	311-103E	LH TOP HITCH WELDMT RTA/RTR25	(S/N 278043-)	
21.	311-093D	TOP SPACER HEAVY HITCH RTA15	(S/N 278043-)	
22.	311-189D	PTO GUARD RTA25	(S/N 278043-)	
23.	800-096C	STUD 1/4 TURN WING HD #85-360	(S/N 278043-)	
24.	802-162C	HHCS 5/8-11X3 1/2 GR5	(S/N 278043-)	

Frame (continued)

Applies to RTA2534, RTA2542, RTA2548, RTA2555, RTA2562, RTA2570

Ref	Part No.	Part Description	Comments	Revision
25.	802-051C	HHCS 5/8-11X1 1/2 GR5		
26.	311-052HC	LOWER HITCH CLEVIS RTA 10/15		
26.	311-052HC82	LOWER HITCH CLEVIS ORANGE		
27.	806-048C	U-BOLT 1/2-13 X2 7/8X2 1/16SPL		
28.	803-147C	NUT HEX NYLOCK 1/2-13		
29.	805-198C	PIN LOWER HITCH 7/8X3 1/16USBL		
30.	805-015C	PIN LYNCH 5/16 X 1 3/4		
31.	805-041C	PIN ROLL 1/4X1 3/4		
32.	800-098C	RETAINER SPLIT RING #85	(S/N 278043-)	
33.	800-097C	RECPTCLE 1/4 TURN CLIP ON #85	(S/N 278043-)	
34.	802-138C	HHCS 5/16-18X2 1/4 GR5		
35.	803-011C	NUT LOCK 5/16-18 PLT		
36.	805-155C	PIN WIRE RETAIN 5/16 X 2 1/2		
37.	803-013C	NUT LOCK 3/8-16 PLT		
38.	311-193H	19 1/4 HINGE ROD WELDMNT	(S/N 52500+) 25/35 RTA2555	Rev. 2 not compat. w/Rev. 1
38.	311-196H	27 1/2 HINGE ROD WELDMNT	(S/N 52500+) 25/35 RTA2562, RTA2570	Rev. 2 not compat. w/Rev. 1
39.	802-079C	HHCS 3/8-16X1 1/4 GR5		
40.	804-012C	WASHER FLAT 3/8 SAE PLT		
41.	310-020S	LOWER HITCH PIN ASSEMBLY	Includes items 29 and 31	
42.	803-027C	NUT HEX 3/4-10 PLT	(S/N 278044+)	
43.	804-023C	WASHER LOCK SPRING 3/4 PLT	(S/N 278044+)	
44.	311-268E	RH TOP HITCH RTA/RTR25	(S/N 278044+)	
44.	311-268E82	RH TOP HTCH RTA/RTR25 ORANGE		
45.	308-400D	SPACER 1 1/4OD X 25/32ID X 2LG	(S/N 278044+)	
46.	311-267E	LH TOP HITCH RTA/RTR25	(S/N 278044+)	
46.	311-267E82	LH TOP HITCH RTA/RTR25 ORANGE		
47.	801-042C	SCREW THUMB 5/16-18 X 5/8 PLT	(S/N 278044+)	
48.	311-348D	RTA/RTR25 3PT GB SHAFT GUARD	(S/N 278044+)	
48.	311-348D82	RTA/RTR25 3PT GB SFT GRD ORANGE		
49.	802-068C	HHCS 3/4-10X4 GR5	(S/N 306787+)	Rev. 2
49.	802-067C	HHCS 3/4-10X4 GR5 FTHD	(S/N 278044 <-> 306786)	Rev 1; Use up stock
50.	311-099S	SPRNG ROD TRUNN ASSY RTA25/35		
51.	812-127C	CASTING SPRING ROD RTA25/35		
52.	311-154D	SPRNG ROD UPPER BRCKT RTA25/35		
53.	802-005C	HHCS 1/4-20X1 GR5	(S/N 543709+)	
54.	816-504C	MANUAL STORAGE CONTAINER	(S/N 543709+)	
55.	804-007C	WASHER FLAT 1/4 SAE PLT	(S/N 543709+)	
56.	803-255C	NUT HEX NYLOCK 1/4-20	(S/N 543709+)	

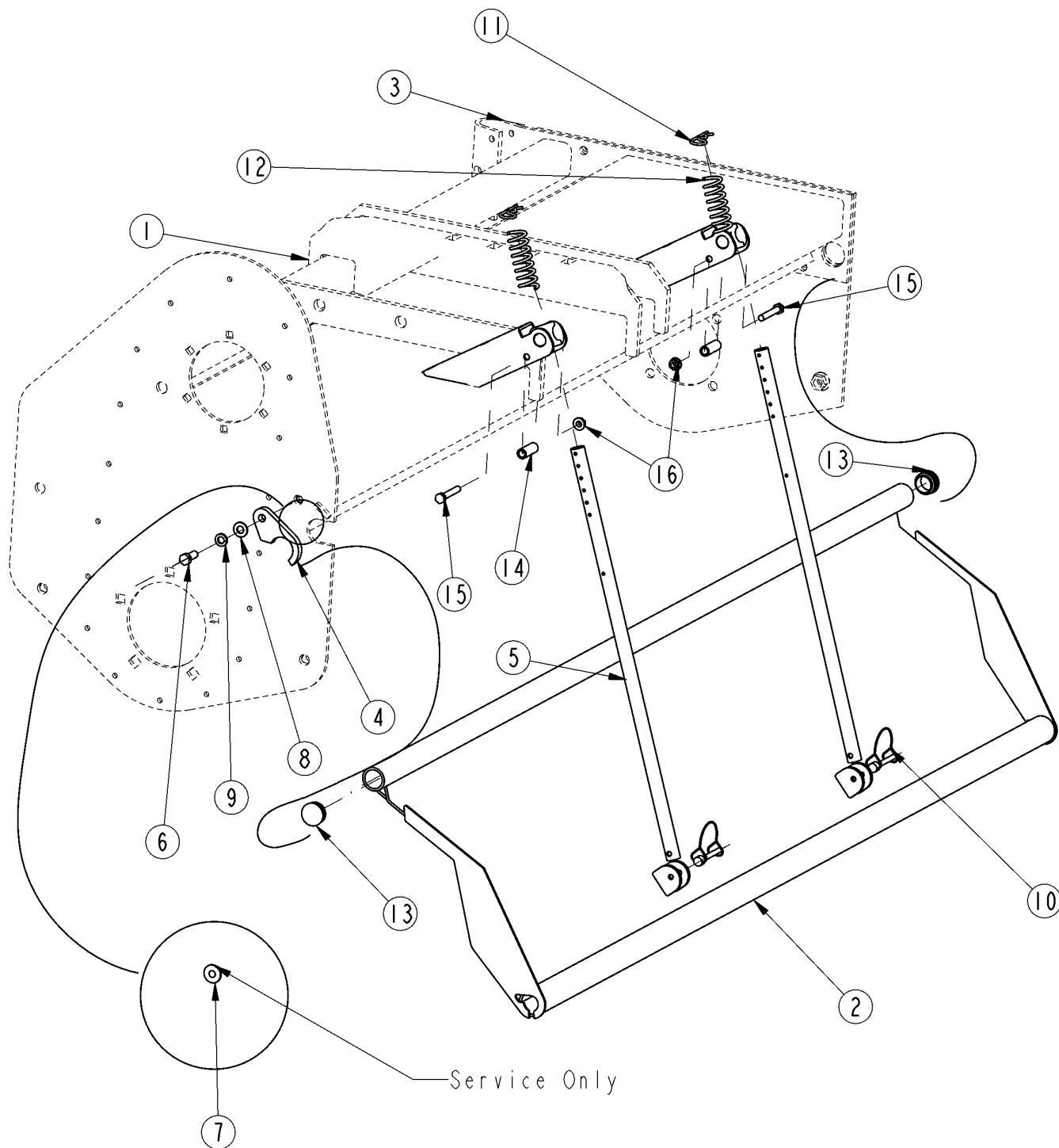
Frame (continued)

Applies to RTA2534, RTA2542, RTA2548, RTA2555, RTA2562, RTA2570

This Page Intentionally Left Blank

Rear Deflector (RTA 2562 Shown) (S/N 395687+)

Applies to RTA2534, RTA2542, RTA2548, RTA2555, RTA2562, RTA2570



22219

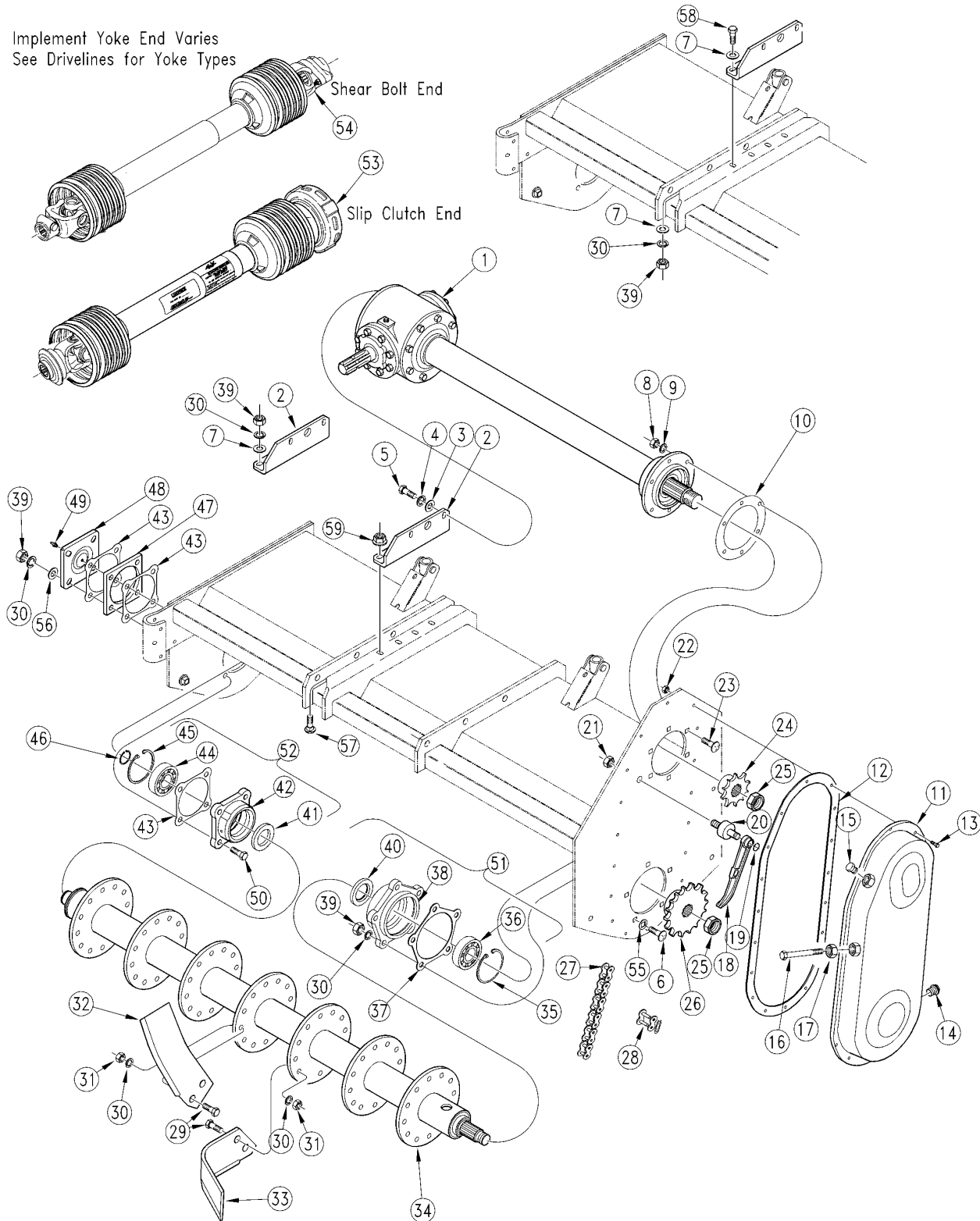
Rear Deflector (RTA 2562 Shown) (S/N 395687+)**Applies to RTA2534, RTA2542, RTA2548, RTA2555, RTA2562, RTA2570**

Ref	Part No.	Part Description	Comments	Revision
	dwg22219	Drawing Image Number		
1.	311-383H	RTA2555 FRAME WELD		
1.	311-385H	RTA2562 FRAME WELD		
1.	311-385H82	RTA2562 FRAME WELD ORANGE		
1.	311-386H	RTA2570 FRAME WELD		
1.	311-386H82	RTA2570 FRAME WELD ORANGE		
2.	311-365H	RTA2555 REAR DEFLECTOR		
2.	311-364H	RTA2562 REAR DEFLECTOR		
2.	311-364H82	RTA2562 REAR DEFLECTOR ORANGE		
2.	311-363H	RTA2570 REAR DEFLECTOR		
2.	311-363H82	RTA2570 REAR DEFLECTOR ORANGE		
3.	311-384H	RTA25 RH ENDPLATE BOLTON		
3.	311-384H82	RTA25 RH ENDPLT BOLTON ORANGE		
4.	311-523D	RTA25 TAILGATE LOCK		
5.	311-202D	SPRING ROD RTA20/25/35RTR20/25		
6.	802-017C	HHCS 3/8-16X1 GR5		
7.	803-105C	NUT WELD 3/8-16 W/1/2 SHANK	Weld in as needed	
8.	804-012C	WASHER FLAT 3/8 SAE PLT		
9.	804-013C	WASHER LOCK SPRING 3/8 PLT		
10.	805-065C	PIN WIRE RETAINING 1/4 X 1 3/4		
11.	805-143C	PIN HAIR COTTER .120 PLT		
12.	807-007C	SPRING LEVER		
13.	817-469C	PLUG PLASTIC (1" SCHED. 40 PIPE		
14.	311-731D	TRUNION SPACER	S/N _____+	
15.	802-115C	HHCS 5/16-18X2 GR5	S/N _____+	
16.	803-199C	NUT HEX FLANGE 5/16-18 PLT	S/N _____+	

Drive

Applies to RTA2534, RTA2542, RTA2548, RTA2555

Implement Yoke End Varies
See Drivelines for Yoke Types



10368

Drive**Applies to RTA2534, RTA2542, RTA2548, RTA2555**

Ref	Part No.	Part Description	Comments	Revision
	dwg10368	Drawing Image Number		
1.	311-146S	GEARBOX ASSY 400MM RTA2534/42		
1.	311-147S	GEARBOX ASSY 600MM RTA2548		
1.	826-426C	GBOX 700MM 1.5:1 RTA/RTR2555	(S/N 444064+)	Rev. 2
1.	311-148S	GEARBOX ASSY 700MM RTA2555	(S/N 444063-)	Rev. 1
2.	311-192D	GEARBOX MOUNT BRACKET RTA25		
3.	804-021C	WASHER FLAT 5/8 SAE PLT		
4.	804-022C	WASHER LOCK SPRING 5/8 PLT		
5.	802-050C	HHCS 5/8-11X1 1/4 GR5		
6.	802-477C	RHSSNB 1/2-13 X 1 1/2 GR5	(S/N 148242+)	Rev. 2 not compat. w/Rev. 1
6.	802-091C	HHCS 1/2-13X1 1/2 GR5	(S/N 148241-)	Rev. 1
7.	804-016C	WASHER FLAT 1/2 SAE PLT		
8.	803-014C	NUT HEX 3/8-16 PLT		
9.	804-013C	WASHER LOCK SPRING 3/8 PLT		
10.	816-095C	GEARBOX GASKET RTA25/35		
11.	311-098H	CHAIN GUARD WELDMENT		
12.	816-092C	GASKET CHAIN GRD RTA25/35		
13.	802-719C	HFSS 1/4-20X7/8 GR5	(S/N 372753+)	Rev. 2
13.	802-257C	HFSS 1/4-20X3/4 GR5		Rev. 1
14.	800-066C	DRAIN PLUG 3/4-16 UNF PLATED		
15.	800-094C	FILL PLUG VENTED 3/4-16 PLT		
16.	802-286C	HHCS 5/8-11X4 GR5 FTHD		
17.	803-023C	NUT HEX JAM 5/8-11 PLT		
18.	311-203D	CHAIN IDLER ARM RTA25/35		
19.	800-074C	SNAP RING EXT .591		
20.	311-200D	CHAIN TIGHTNER PIVOT RTA25/35		
21.	803-089C	NUT HEX FLANGE 5/8-18 PLT		
22.	803-007C	NUT LOCK 1/4-20 PLT		
23.	802-155C	RHSNB 3/8-16X1 1/4 GR5	(S/N 148242+)	Rev. 2 not compat. w/Rev. 1
23.	802-079C	HHCS 3/8-16X1 1/4 GR5	(S/N 148241-)	Rev. 1
24.	808-350C	SPKT 9T #100 12/24X20T SPLINE	RTA2555 (S/N 444064 +)	Rev. 2
24.	808-102C	SPKT 11T #100 12/24X20T SPLINE	RTA2555 (S/N 444063-)	Rev. 1
25.	803-111C	NUT LT JAM 1 1/2-12 NYLN INSRT		
26.	808-104C	SPKT 14T #100 12/24X20T SPLINE		
27.	809-227C	CHAIN RL #100 35P HIGH TENSILE	RTA2555 (S/N 444064 +)	Rev. 2
27.	809-102C	CHAIN RL #100 X 36 PITCH	RTA2555 (S/N 444063-)	Rev. 1
28.	809-097C	#100 CONNECTOR LINK		
29.	802-248C	SP TINE HHCS 1/2-20X1 1/4 GR5		
30.	804-015C	WASHER LOCK SPRING 1/2 PLT		
31.	803-018C	NUT HEX 1/2-20 PLT		
32.	820-058C	BLADE TILLER 25 SERIES RH	34" = 8; 42" = 10; 48" = 12; 55" = 14	
33.	820-057C	BLADE TILLER 25 SERIES LH	34" = 8; 42" = 10; 48" = 12; 55" = 14	
34.	311-078H	ROTOR WELDMENT RTA2534		
34.	311-198H	ROTOR WELDMENT RTA/RTR2542		
34.	311-079H	ROTOR WELDMENT RTA/RTR2548		
34.	311-080H	ROTOR WELDMENT RTA/RTR2555		
35.	800-017C	SNAP RING INTERNAL 3.938		
36.	822-079C	BEARING 309		
37.	816-094C	GASKET RTA25/35		
38.	311-197D	LH LOWER BRG MOUNT RTA25		
39.	803-020C	NUT HEX 1/2-13 PLT		
40.	816-091C	SEAL 2.25 X 3.5 X .438		
41.	816-084C	SEAL 2 X 3.1875 X 0.469		
42.	311-196D	RH BEARING MOUNT RTA25		
43.	816-071C	15 TILLER LH BOTTOM BRG GASKET		
44.	822-084C	BEARING 308		
45.	800-078C	SNAP RING INT 90 MM		
46.	800-089C	SNAP RING EXT 1-9/16		

Drive (continued)

Applies to RTA2534, RTA2542, RTA2548, RTA2555

Ref	Part No.	Part Description	Comments	Revision
47.	311-194D	RH BEARING SPACER PLATE		
48.	311-135S	RH BRG COVER W/ZRK RTA25		
49.	800-080C	GREASE ZERK 1/4-28 THD FORMING	(S/N 242272+)	Rev. 2 not compat. w/Rev. 1
49.	800-095C	ZERK GREASE 1/4 DRIVE #1952	(S/N 242271-)	Rev. 1
50.	802-128C	HHCS 1/2-13X2 GR5		
51.	311-110S	BEARING ASSY-LH RTA25/RH RTR25		
52.	311-109S	BEARING ASSY-RH RTA25/LH RTR25		
53.	826-025C	PTO SLIP CLUTCH 72 OVERSEEDER	Walterscheid	
53.	826-025C	PTO SLIP CLUTCH RTA/RTR/OS1572	Eurocardan Pull Collar Type	
54.	826-031C	PTO SHEAR BOLT RTA25	Not available on current production units	
55.	816-280C	GASKET 1.03OD.515SQ.HL1/32THK		
56.	804-094C	WASHER FLAT 1/2 HARD ASTM436		
57.	802-106C	RHSNB 1/2-13X1 1/2 GR5		Rev. 3
57.	802-477C	RHSSNB 1/2-13 X 1 1/2 GR5	(S/N 326877+)	Rev. 2 not compat. w/Rev. 1
57.	802-091C	HHCS 1/2-13X1 1/2 GR5	(S/N 326876-)	Rev. 1
58.	802-091C	HHCS 1/2-13X1 1/2 GR5		
59.	803-037C	NUT HEX WHIZ 1/2-13 PLT	(S/N 326877+)	

Drive (continued)

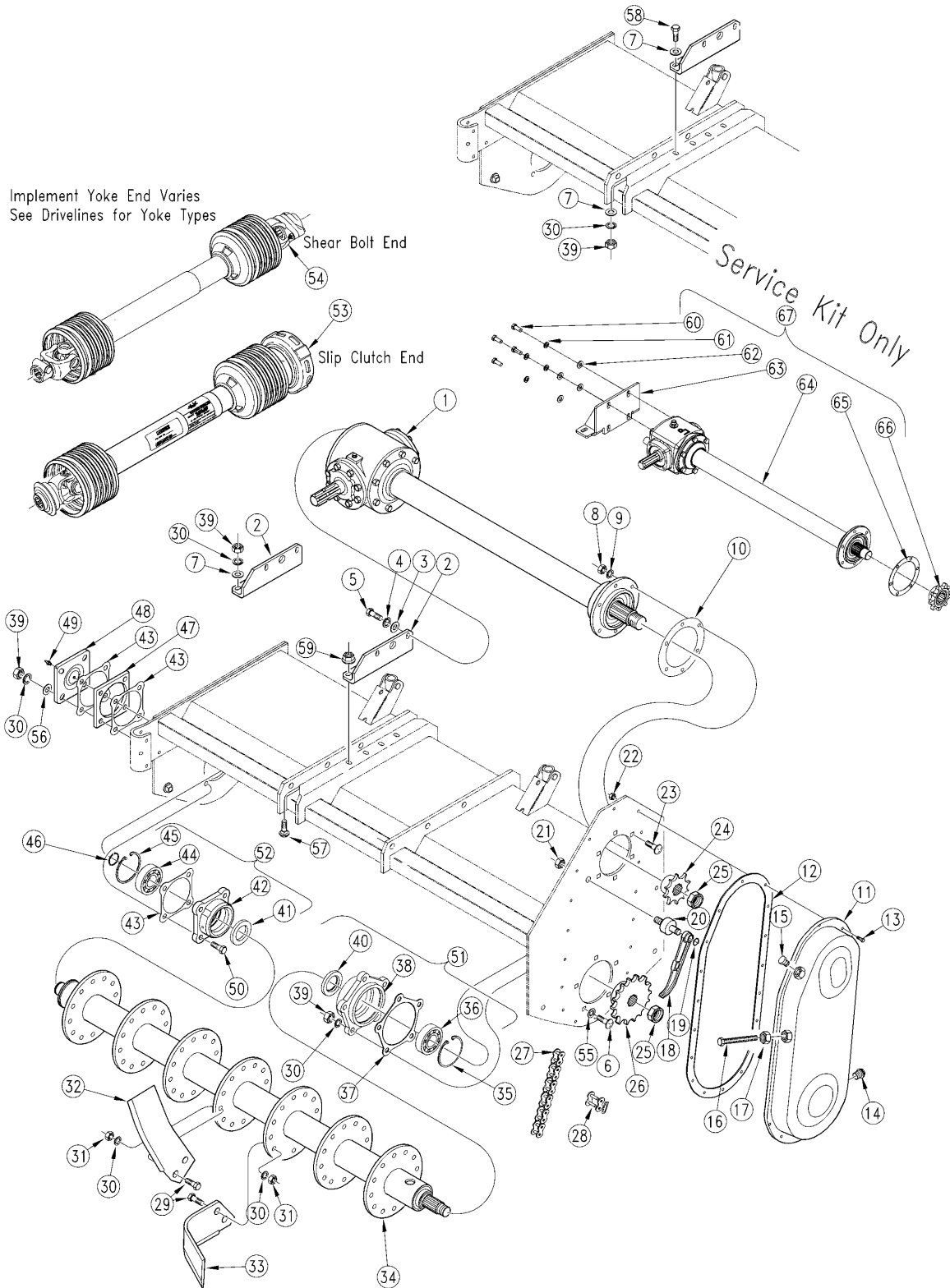
Applies to RTA2534, RTA2542, RTA2548, RTA2555

This Page Intentionally Left Blank

Drive S/N 535196-

Applies to RTA2562, RTA2570

Implement Yoke End Varies
See Drivelines for Yoke Types



25650

Drive S/N 535196-**Applies to RTA2562, RTA2570**

Ref	Part No.	Part Description	Comments	Revision
	dwg10368	Drawing Image Number		
1.	826-427C	RPBY 311-628A RTA2560	RTA2562 (S/N 455011 to 535196)	Rev. 2
1.	311-149S	GEARBOX ASSY 800MM RTA2562	RTA2562 (S/N 455010-)	Rev. 1
1.	826-428C	RPBY 311-630A OR 311-631A	RTA2570 (S/N 429028 to 535196)	Rev. 2
1.	311-150S	GEARBOX ASSY 900MM RTA2570	RTA2570 (S/N 429027-)	Rev. 1
2.	311-192D	GEARBOX MOUNT BRACKET RTA25		
3.	804-021C	WASHER FLAT 5/8 SAE PLT		
4.	804-022C	WASHER LOCK SPRING 5/8 PLT		
5.	802-050C	HHCS 5/8-11X1 1/4 GR5		
6.	802-477C	RHSSNB 1/2-13 X 1 1/2 GR5	(S/N 148242+)	Rev. 2 not compat. w/Rev. 1
6.	802-091C	HHCS 1/2-13X1 1/2 GR5	(S/N 148241-)	Rev. 1
7.	804-016C	WASHER FLAT 1/2 SAE PLT		
8.	803-014C	NUT HEX 3/8-16 PLT		
9.	804-013C	WASHER LOCK SPRING 3/8 PLT		
10.	816-095C	GEARBOX GASKET RTA25/35		
11.	311-098H	CHAIN GUARD WELDMENT		
12.	816-092C	GASKET CHAIN GRD RTA25/35		
13.	802-719C	HFSS 1/4-20X7/8 GR5	(S/N 372753+)	Rev. 2
13.	802-257C	HFSS 1/4-20X3/4 GR5		Rev. 1
14.	800-066C	DRAIN PLUG 3/4-16 UNF PLATED		
15.	800-094C	FILL PLUG VENTED 3/4-16 PLT		
16.	802-286C	HHCS 5/8-11X4 GR5 FTHD		
17.	803-023C	NUT HEX JAM 5/8-11 PLT		
18.	311-203D	CHAIN IDLER ARM RTA25/35		
19.	800-074C	SNAP RING EXT .591		
20.	311-200D	CHAIN TIGHTNER PIVOT RTA25/35		
21.	803-089C	NUT HEX FLANGE 5/8-18 PLT		
22.	803-007C	NUT LOCK 1/4-20 PLT		
23.	802-155C	RHSNB 3/8-16X1 1/4 GR5	(S/N 148242+)	Rev. 2 not compat. w/Rev. 1
23.	802-079C	HHCS 3/8-16X1 1/4 GR5	(S/N 148241-)	Rev. 1
24.	808-350C	SPKT 9T #100 12/24X20T SPLINE	RTA2562 (S/N 455011 to 535196) RTA2570 (S/N 429028to 535196)	Rev. 2
24.	808-102C	SPKT 11T #100 12/24X20T SPLINE	RTA2562 (S/N 455010-) RTA2570 (S/N 429027-)	Rev. 1
25.	803-111C	NUT LT JAM 1 1/2-12 NYLN INSRT		
26.	808-104C	SPKT 14T #100 12/24X20T SPLINE		
27.	809-227C	CHAIN RL #100 35P HIGH TENSILE	RTA2562 (S/N 455011 to 535196) RTA2570 (S/N 429028to 535196)	Rev. 2
27.	809-102C	CHAIN RL #100 X 36 PITCH	RTA2562 (S/N 455010-) RTA2570 (S/N 429027-)	Rev. 1
28.	809-097C	#100 CONNECTOR LINK		
29.	802-248C	SP TINE HHCS 1/2-20X1 1/4 GR5		
30.	804-015C	WASHER LOCK SPRING 1/2 PLT		
31.	803-018C	NUT HEX 1/2-20 PLT		
32.	820-058C	BLADE TILLER 25 SERIES RH	62" = 16; 70" =18	
33.	820-057C	BLADE TILLER 25 SERIES LH	62" = 16; 70" =18	
34.	311-081H	ROTOR WELDMENT RTA/RTR2562		
34.	311-082H	ROTOR WELDMENT RTA/RTR2570		
35.	800-017C	SNAP RING INTERNAL 3.938		
36.	822-079C	BEARING 309		
37.	816-094C	GASKET RTA25/35		
38.	311-197D	LH LOWER BRG MOUNT RTA25		
39.	803-020C	NUT HEX 1/2-13 PLT		
40.	816-091C	SEAL 2.25 X 3.5 X .438		
41.	816-084C	SEAL 2 X 3.1875 X 0.469		
42.	311-196D	RH BEARING MOUNT RTA25		
43.	816-071C	15 TILLER LH BOTTOM BRG GASKET		
44.	822-084C	BEARING 308		

Drive S/N 535196- (continued)

Applies to RTA2562, RTA2570

Ref	Part No.	Part Description	Comments	Revision
45.	800-078C	SNAP RING INT 90 MM		
46.	800-089C	SNAP RING EXT 1-9/16		
47.	311-194D	RH BEARING SPACER PLATE		
48.	311-135S	RH BRG COVER W/ZRK RTA25		
49.	800-080C	GREASE ZERK 1/4-28 THD FORMING	(S/N 242272+)	Rev. 2 not compat. w/Rev. 1
49.	800-095C	ZERK GREASE 1/4 DRIVE #1952	(S/N 242271-)	Rev. 1
50.	802-128C	HHCS 1/2-13X2 GR5		
51.	311-110S	BEARING ASSY-LH RTA25/RH RTR25		
52.	311-109S	BEARING ASSY-RH RTA25/LH RTR25		
53.	826-025C	PTO SLIP CLUTCH 72 OVERSEEDER	Walterscheid	
53.	826-025C	PTO SLIP CLUTCH RTA/RTR/OS1572	Eurocardan Pull Collar Type	
54.	826-031C	PTO SHEAR BOLT RTA25	Not available on current production units	
55.	816-280C	GASKET 1.03OD.515SQ.HL1/32THK		
56.	804-094C	WASHER FLAT 1/2 HARD ASTMF436		
57.	802-106C	RHSNB 1/2-13X1 1/2 GR5		Rev. 3
57.	802-477C	RHSSNB 1/2-13 X 1 1/2 GR5	(S/N 326877+)	Rev. 2 not compat. w/Rev. 1
57.	802-091C	HHCS 1/2-13X1 1/2 GR5	(S/N 326876-)	Rev. 1
58.	802-091C	HHCS 1/2-13X1 1/2 GR5		
59.	803-037C	NUT HEX WHIZ 1/2-13 PLT	(S/N 326877+)	
60.	802-458C	HHCS M12X1.75X30 GR8.8	Service Only	
61.	804-015C	WASHER LOCK SPRING 1/2 PLT	Service Only	
62.	804-016C	WASHER FLAT 1/2 SAE PLT	Service Only	
63.	311-620H	MOUNT WELDMENT	Service Only	
64.	826-537C	GBOX 800MM 1.46:1 RTA2562	Service Only	
64.	826-542C	GBOX 900MM 1.46:1 RTA2570	Service Only	
65.	816-582C	GEARBOX GASKET 25 SERIES TLR	Service Only	
66.	808-364C	SPKT 9T #100 8/36X40 SPLINE	Service Only	
67.	311-628A	KIT, GEARBOX RETRO FIT RTA2562	Service Kit Only	
67.	311-630A	KIT, GEARBOX RETRO FIT RTA2570	Service Kit Only	

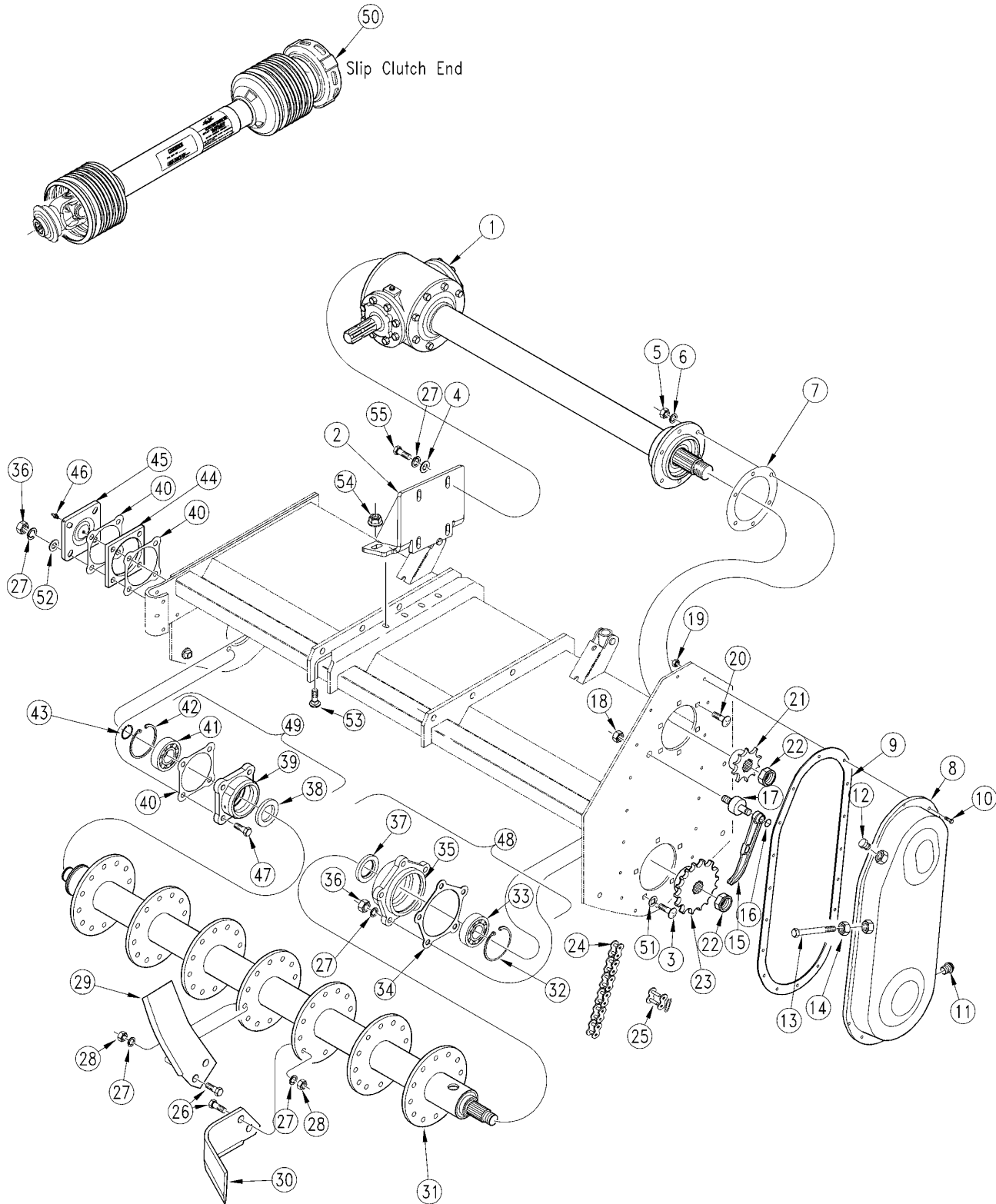
Drive S/N 535196- (continued)

Applies to RTA2562, RTA2570

This Page Intentionally Left Blank

Drive S/N 535197+

Applies to RTA2562, RTA2570



25634

Drive S/N 535197+**Applies to RTA2562, RTA2570**

Ref	Part No.	Part Description	Comments	Revision
	dwg25634	Drawing Image Number		
1.	826-537C	GBOX 800MM 1.46:1 RTA2562		
1.	826-537C82	GBOX 800MM 1.46:1 RTA2562 ORANGE		
1.	826-542C	GBOX 900MM 1.46:1 RTA2570		
1.	826-542C82	GBOX 900MM 1.46:1 RTA2570 ORANGE		
2.	311-620H	MOUNT WELDMENT		
2.	311-620H82	MOUNT WELDMENT GREEN		
3.	802-477C	RHSSNB 1/2-13X1 1/2 GR5		
4.	804-016C	WASHER FLAT 1/2 SAE PLT		
5.	803-014C	NUT HEX 3/8-16 PLT		
6.	804-013C	WASHER LOCK SPRING 3/8 PLT		
7.	816-582C	GEARBOX GASKET 25 SERIES TLR		
8.	311-098H	CHN GRD WDMNT RTA20/25/35RTR20		
8.	311-098H82	CHN GRD WDMNT ORANGE		
9.	816-092C	GSKT CHN GRD RTA20/25/35 RTR20		
10.	802-719C	HFSS 1/4-20X7/8 GR5		
11.	800-066C	DRAIN PLUG 3/4-16 UNF PLATED		
12.	800-094C	FILL PLUG VENTED 3/4-16 PLT		
13.	802-286C	HHCS 5/8-11X4 GR5 FTHD		
14.	803-023C	NUT HEX JAM 5/8-11 PLT		
15.	311-203D	CHN IDLR ARM RTA20/25/35 RTR20		
16.	800-074C	SNAP RING EXT .591		
17.	311-200D	CHAIN TIGHTNER PIVOT RTA25/35		
18.	803-089C	NUT HEX FLANGE 5/8-18 PLT		
19.	803-007C	NUT LOCK 1/4-20 PLT		
20.	802-155C	RHSNB 3/8-16X1 1/4 GR5		
21.	808-364C	SPKT 9T #100 8/36X40 SPLINE		
22.	803-111C	NUT LT JAM 1 1/2-12 NYLN INSRT		
23.	808-104C	SPKT 14T #100 12/24X20T SPLINE		
24.	809-227C	CHAIN RL #100 35P HIGH TENSILE		
25.	809-097C	#100 CONNECTOR LINK		
26.	802-248C	SP TINE HHCS 1/2-20X1 1/4 GR5		
27.	804-015C	WASHER LOCK SPRING 1/2 PLT		
28.	803-018C	NUT HEX 1/2-20 PLT		
29.	820-058C	BLADE RH RTA/RTR 20 & 25 SER.	RTA2562 16 Ea. RTA2570 18 Ea.	
30.	820-057C	BLADE LH RTA/RTR 20 & 25 SER.	RTA2562 16 Ea. RTA2570 18 Ea.	
31.	311-081H	ROTOR WELDMENT RTA/RTR2562		
31.	311-082H	ROTOR WELDMENT RTA/RTR2570		
32.	800-017C	SNAP RING INTERNAL 3.938		
33.	822-079C	BRG BALL 1.77IDX3.93ODX.98 309		
34.	816-094C	GASKET RTA25/35		
35.	311-197D	HSG DRV LWR RTA25/RTR25/OS MAC		
36.	803-020C	NUT HEX 1/2-13 PLT		
37.	816-091C	SEAL 2.25 X 3.5 X .438		
38.	816-084C	SEAL 2 X 3.1875 X 0.469		
39.	311-196D	HSG NON-DRV LWR RTA/RTR25 MACH		
40.	816-071C	GASKET 15 TILLER LH BOTTOM		
41.	822-084C	BRG BALL 1.57IDX3.54ODX.90 308		
42.	800-078C	SNAP RING INT 90 MM		
43.	800-089C	SNAP RING EXT 1-9/16		
44.	311-194D	SPACER PLATE NON-DRV LWR		
45.	311-135S	COVER NON-DRV LWR W/ZRK RTA/R		
45.	311-135S82	COVER NON-DRV LWR W/ZRK RTA/R ORANGE		
46.	800-080C	GREASE ZERK 1/4-28 THD FORMING		
47.	802-128C	HHCS 1/2-13X2 GR5		
48.	311-110S	HSG DRV LWR ASY RTA25/RTR25/OS		
49.	311-109S	HSG NON-DRV LWR ASY RTA/RTR25		

Drive S/N 535197+ (continued)

Applies to RTA2562, RTA2570

Ref	Part No.	Part Description	Comments	Revision
50.	826-025C	PTO SLIP CLUTCH RTA/RTR/OS1572	Walterscheid	
50.	826-025C	PTO SLIP CLUTCH RTA/RTR/OS1572	Eurocardan Pull Collar Type	
51.	816-280C	GASKET 1.03OD.515SQ.HL1/32THK		
52.	804-094C	WASHER FLAT 1/2 HARD ASTM F436		
53.	802-106C	RHSNB 1/2-13X1 1/2 GR5		
54.	803-037C	NUT HEX WHIZ 1/2-13 PLT		
55.	802-458C	HHCS M12X1.75X30 GR8.8		

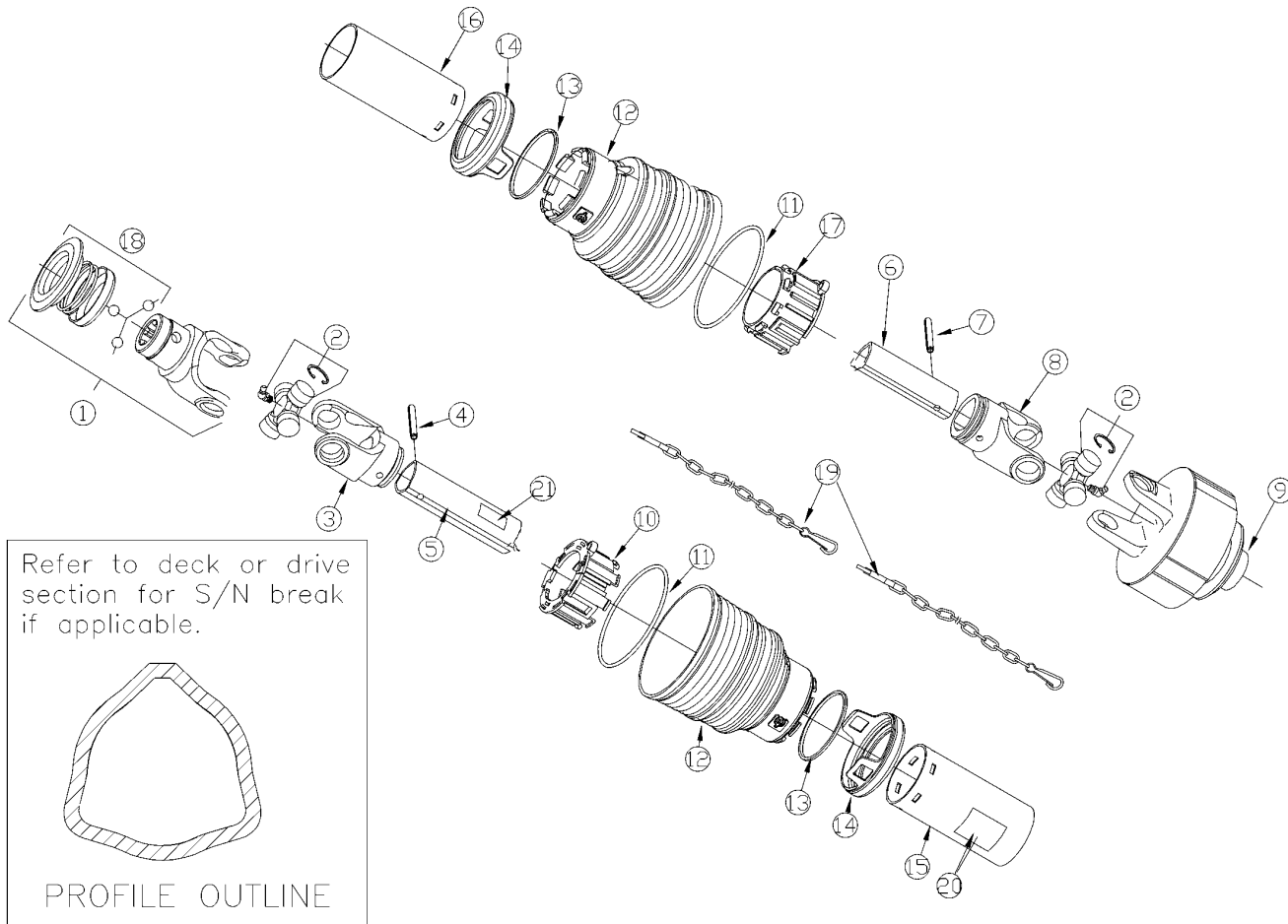
Drive S/N 535197+ (continued)

Applies to RTA2562, RTA2570

This Page Intentionally Left Blank

Driveline (826-025C) Eurocardan

Applies to RTA2534, RTA2542, RTA2548, RTA2555, RTA2562, RTA2570

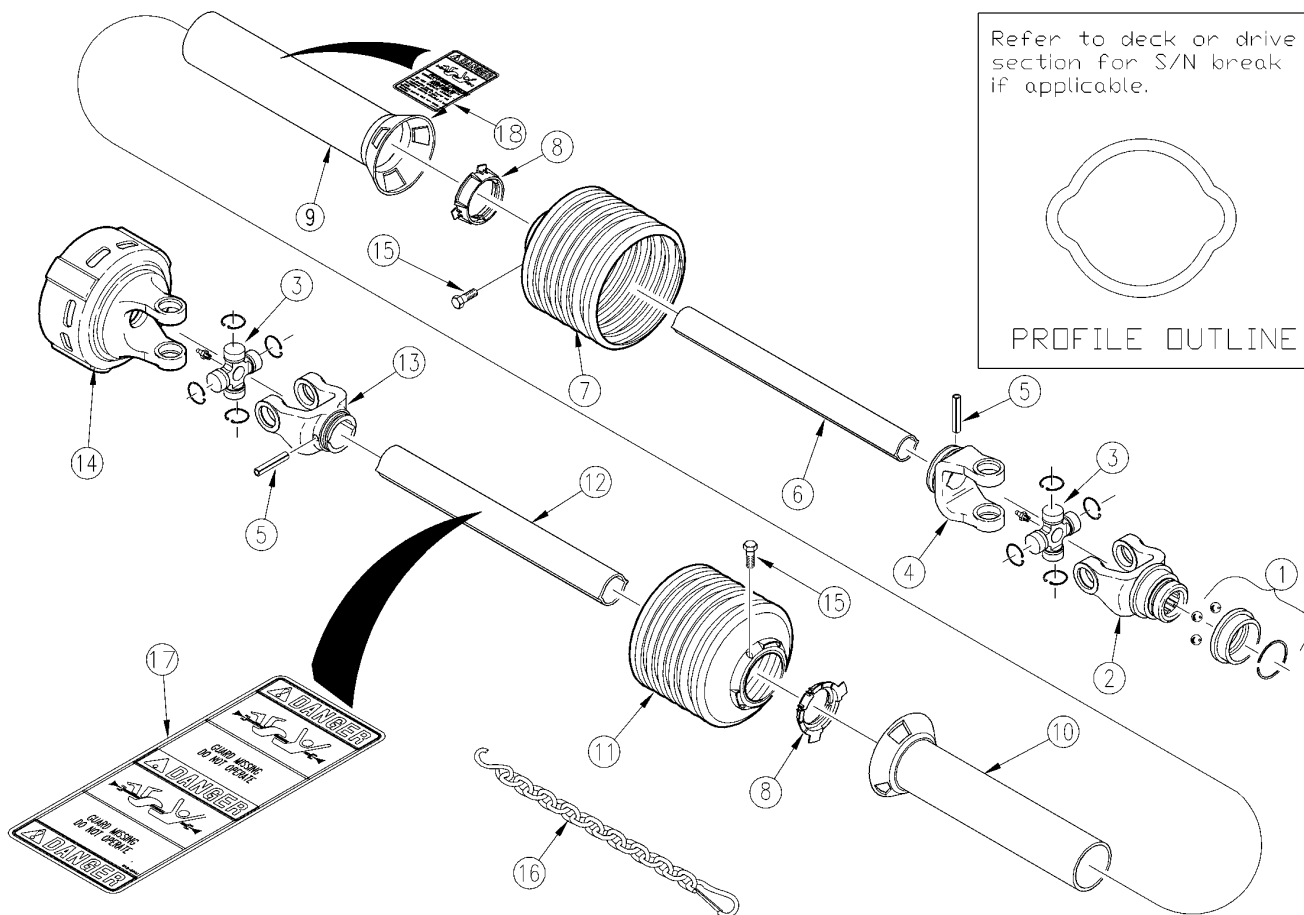


Driveline (826-025C) Eurocardan**Applies to RTA2534, RTA2542, RTA2548, RTA2555, RTA2562, RTA2570**

Ref	Part No.	Part Description	Comments	Revision
	dwg22286	Drawing Image Number		
	826-025C	PTO SLIP CLUTCH RTA/RTR/OS1572 *		
1.	1015012	EC YOKE ASSEMBLY		
2.	1005020	EC CROSS ASSEMBLY		
3.	1705027	EC OUTER TUBE YOKE		
4.	6331075	EC 10X75-DIN-1485 ROLL PIN		
5.	1527036	EC OUTER TUBE (1527056) 360MM		
6.	1526036	EC INNER TUBE (1526084) 360MM		
7.	6331065	EC 10X65-DIN-1485 ROLL PIN		
8.	1705029	EC INNER TUBE YOKE		
9.	1465603	EC CLUTCH BD4/5 1000Nm		
10.	1785710	EC TUBE BEARING (OUTER TUBE)		
11.	1215733	EC STIFFENING RING		
12.	1885703	EC STANDARD CONE		
13.	1215735	EC STOP RING		
14.	1885709	EC SAFETY SLEEVE		
15.	1876026	EC OUTER TUBE (1876094) 260MM		
16.	1877026	EC INNER TUBE (1877094) 260MM		
17.	1785711	EC TUBE BEARING (INNER TUBE)		
18.	1004225	EC PULL COLLAR KIT		
19.	044321	DRIVELINE SHIELD SAFETY CHAIN		Rev. 2
19.	1006065	REP BY 044321		Rev 1; Use up stock
20.	818-552C	DECAL DANGER PTO DRIVELINE		Rev. 2
20.	1140001	REP BY 818-552C		Rev 1; Use up stock
21.	818-540C	DECAL DANGER GUARD MISS PTO		Rev. 2
21.	1140003	REP BY 818-540C		Rev 1; Use up stock

Driveline (826-025C) Walterscheid

Applies to RTA2534, RTA2542, RTA2548, RTA2555, RTA2562, RTA2570

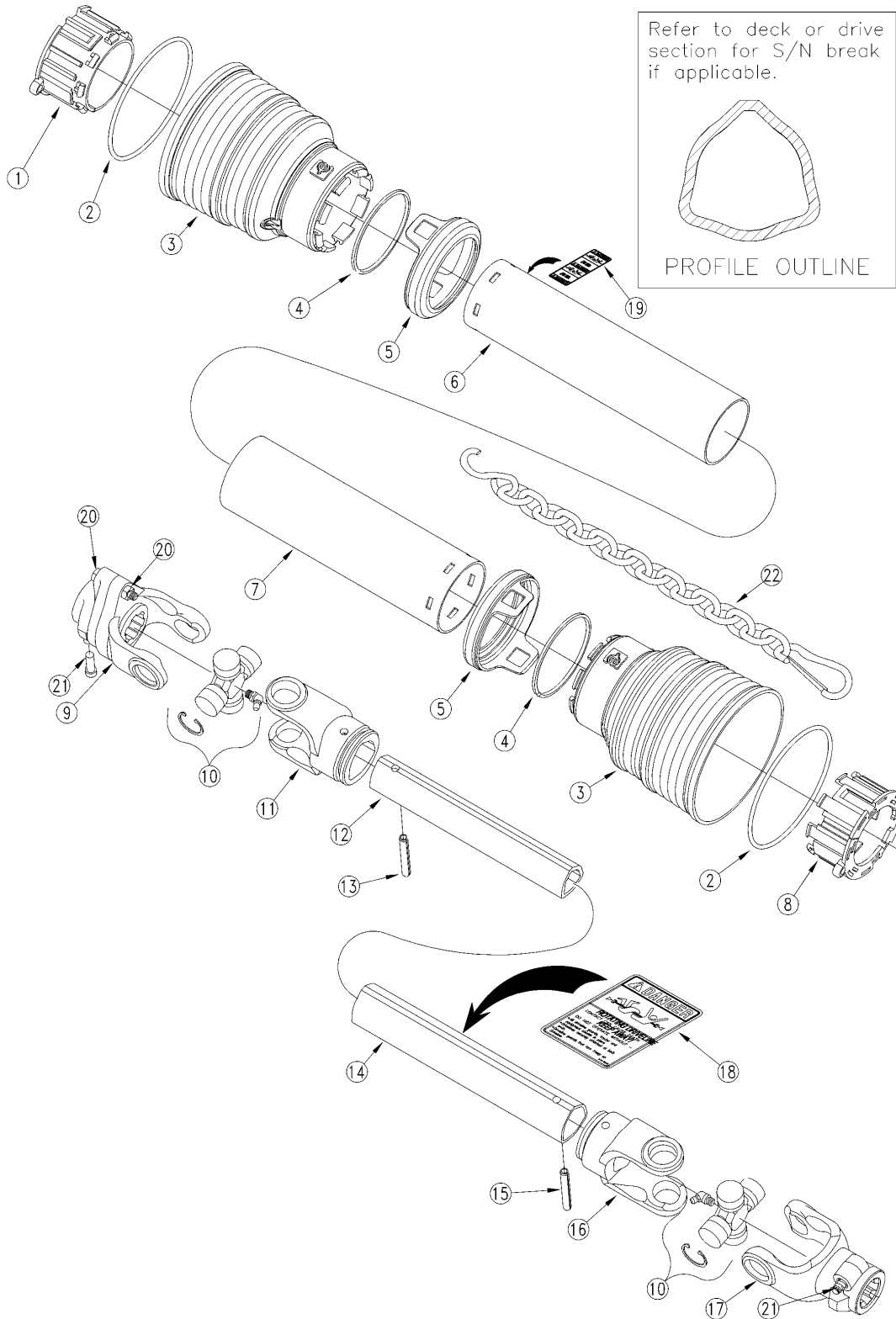


Driveline (826-025C) Walterscheid**Applies to RTA2534, RTA2542, RTA2548, RTA2555, RTA2562, RTA2570**

Ref	Part No.	Part Description	Comments	Revision
	dwg10371	Drawing Image Number		
	826-025C	PTO SLIP CLUTCH 72 OVERSEEDER		
1.	390404	WS ASGE COLLAR KIT		Rev. 2
1.	381908	REP BY 390404		Rev 1; Use up stock
2.	196839	WS YOKE 1 3/8-6 SPL ASGE		Rev. 2
2.	380906	REP BY 196839		Rev 1; Use up stock
3.	044444	WALTERSCHEID CROSS & BRG KIT		
4.	041576	WS INBOARD YOKE		
5.	020616	WS SPRING PIN		
6.	047895	WS INNER PROFILE		
7.	377335	WS SHIELD CONE - 5 RIB		
8.	087276	WS BEARING RING - SC25		
9.	382155	WS OUTER SHIELD TUBE WITH CAP		
10.	387393	WS INNER SHIELD TUBE WITH CAP		
11.	377434	WS SHIELD CONE - 4 RIB		
12.	047907	WS OUTER PROFILE		
13.	041577	WS INBORD YOKE		
14.	318851	WS FRICTION CLUTCH)		
15.	365305	WALTERSCHEID SCREW		
16.	044321	DRIVELINE SHIELD SAFETY CHAIN		
17.	818-540C	DECAL DANGER GUARD MISS PTO		Rev. 2
17.	383334	RPBY 818-540C		Rev 1; Use up stock
18.	818-552C	DECAL DANGER PTO DRIVELINE		Rev. 2
18.	383333	RPBY 818-552C		Rev 1; Use up stock

Driveline (826-031C) EC New Shields

Applies to RTA2534, RTA2542, RTA2548, RTA2555, RTA2562, RTA2570



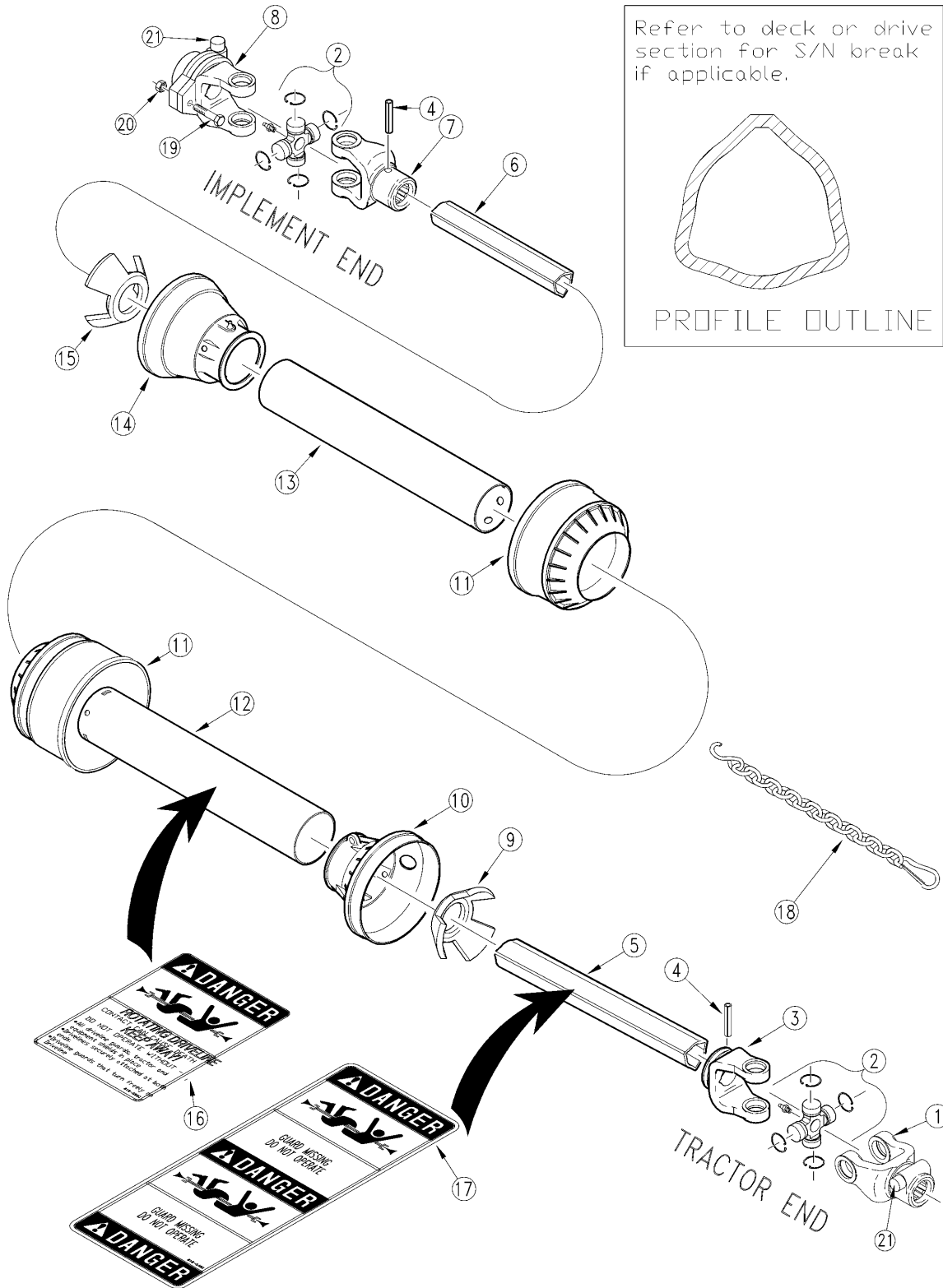
16956

Driveline (826-031C) EC New Shields**Applies to RTA2534, RTA2542, RTA2548, RTA2555, RTA2562, RTA2570**

Ref	Part No.	Part Description	Comments	Revision
	dwg16956	Drawing Image Number		
	826-031C	PTO SHEAR BOLT RTA25		
1.	1785711	EC TUBE BEARING (INNER TUBE)		
2.	1215733	EC STIFFENING RING		
3.	1885703	EC STANDARD CONE		
4.	1215735	EC STOP RING		
5.	1885709	EC SAFETY SLEEVE		
6.	1877026	EC INNER TUBE (1877046) 260MM		
7.	1876026	EC OUTER TUBE (1876046) 260MM		
8.	1785710	EC TUBE BEARING (OUTER TUBE)		
9.	1485037	EC BOLT TRQ LIMITER (IMP END)		
10.	1005020	EC CROSS ASSEMBLY		
11.	1705029	EC INNER TUBE YOKE		
12.	15206036	EC INNER TUBE (1526084) 360MM		
13.	6331065	EC 10X65-DIN-1485 ROLL PIN		
14.	1527036	EC OUTER TUBE (1527056) 360MM		
15.	6331075	EC 10X75-DIN-1485 ROLL PIN		
16.	1705027	EC OUTER TUBE YOKE		
17.	1025010	EC YOKE ASSEMBLY (TRACTOR END)		
18.	818-552C	DECAL DANGER PTO DRIVELINE		
19.	818-540C	DECAL DANGER GUARD MISS PTO		
20.	6691050	EC COMP. BOLT M10X50 W/NUT		
21.	1581038	EC COMPLETE PUSH-PIN KIT		
22.	044321	DRIVELINE SHIELD SAFETY CHAIN		

Driveline (826-031C) EC Old Shields

Applies to RTA2534, RTA2542, RTA2548, RTA2555, RTA2562, RTA2570



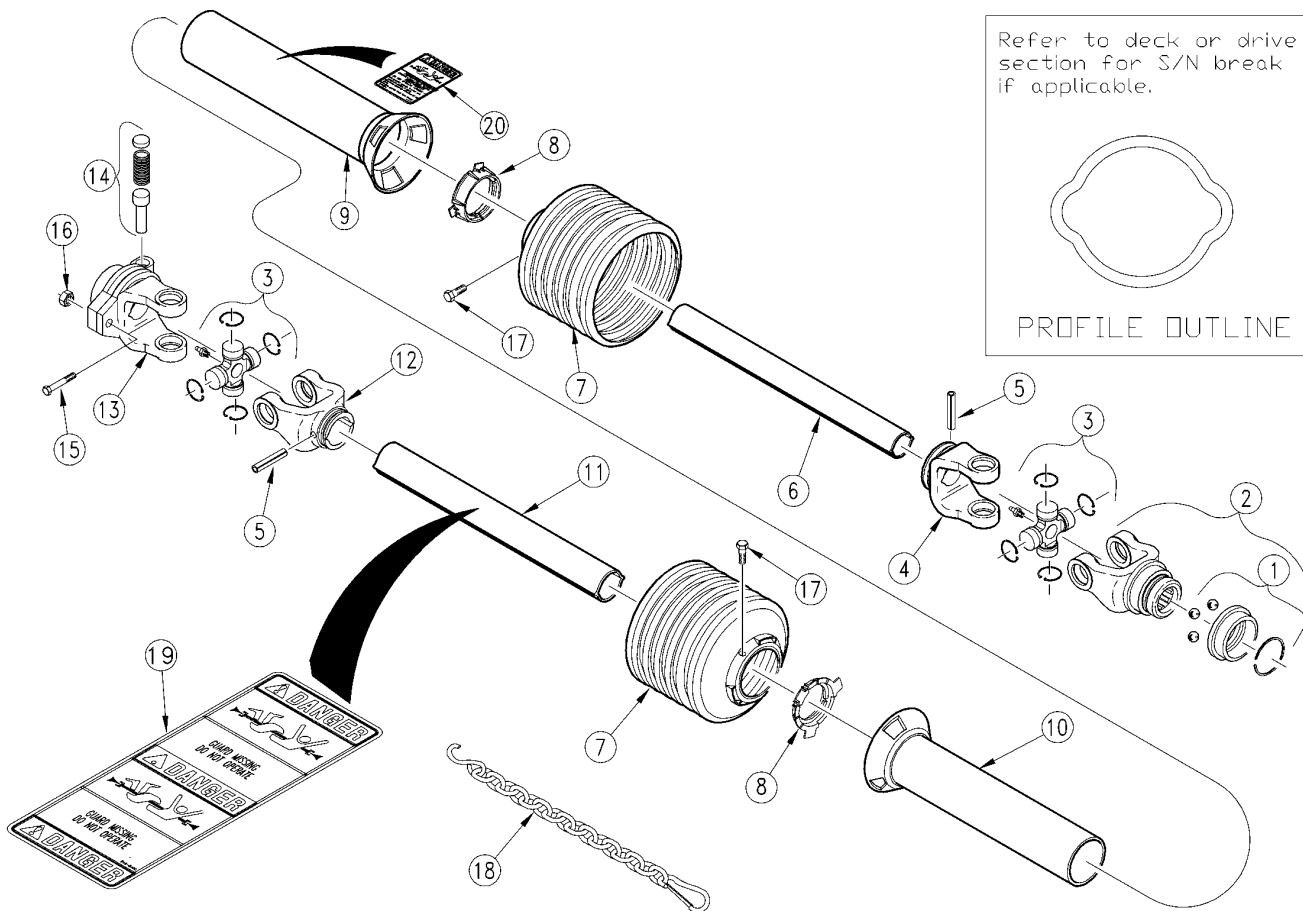
15173

Driveline (826-031C) EC Old Shields**Applies to RTA2534, RTA2542, RTA2548, RTA2555, RTA2562, RTA2570**

Ref	Part No.	Part Description	Comments	Revision
	dwg15173	Drawing Image Number		
	826-031C	PTO SHEAR BOLT RTA25		
1.	1025010	EC YOKE ASSEMBLY (TRACTOR END)		Rev. 2
1.	1705110	RPBY 1025010		Rev 1; Use up stock
2.	1005020	EC CROSS ASSEMBLY		
3.	1705027	EC OUTETER TUBE YOKE		
4.	6330875	EC 8X75-DIN-1481 O/TUBE R/PIN		
5.	1527036	EC OUTER TUBE (1527056) 360MM		Rev. 2
5.	1535316	RPBY 1527036		Rev 1; Use up stock
6.	1526036	EC INNER TUBE (1526084) 360MM		
7.	1705029	EC INNER TUBE YOKE		
8.	1485037	EC BOLT TRQ LIMITER (IMP END)		Rev. 2
8.	1005034	RPBY 1485037		Rev 1; Use up stock
9.	1785017	EC TUBE BEARING (TRACT. END)		
10.	1886010	EC OUTER RIGID CONE(OLD STYLE)		
11.	1886013	EC SOFT CONE		
12.	1875028	EC OUTER TUBE (1875066) 280MM		Rev. 2
12.	1885342	RPBY 1875028		Rev 1; Use up stock
13.	1874028	EC INNER TUBE (1874066) 280MM		Rev. 2
13.	1775329	RPBY 1874028		Rev 1; Use up stock
14.	1886011	EC INNER RIGID CONE(OLD STYLE)		
15.	1785016	EC TUBE BEARING (IMP END)		Rev. 2
15.	1785017	EC TUBE BEARING (TRACT. END)		Rev 1; Use up stock
16.	818-552C	DECAL DANGER PTO DRIVELINE		
17.	818-540C	DECAL DANGER GUARD MISS PTO		
18.	044321	DRIVELINE SHIELD SAFETY CHAIN		
19.	6691050	EC COMP. BOLT M10X50 W/NUT		Rev. 2
19.	1481050	RPBY 6691050		Rev 1; Use up stock
20.	803-279C	NUT HEX M10X1.5 PLT		
21.	1581038	EC COMPLETE PUSH-PIN KIT		

Driveline (826-031C) Walterscheid

Applies to RTA2534, RTA2542, RTA2548, RTA2555, RTA2562, RTA2570

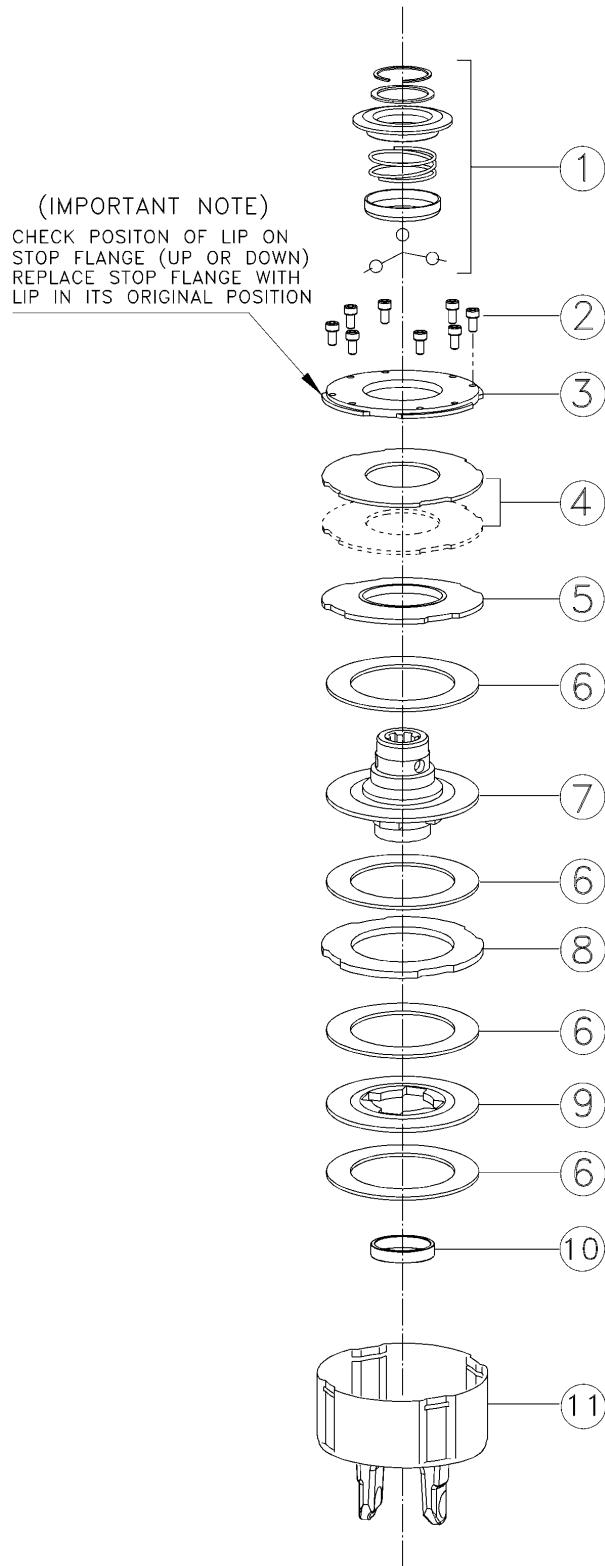


Driveline (826-031C) Walterscheid**Applies to RTA2534, RTA2542, RTA2548, RTA2555, RTA2562, RTA2570**

Ref	Part No.	Part Description	Comments	Revision
	dwg10370	Drawing Image Number		
	826-031C	PTO SHEAR BOLT RTA25		
1.	390404	WS ASGE COLLAR KIT		Rev. 2
1.	381908	REP BY 390404		Rev 1; Use up stock
2.	196839	WS YOKE 1 3/8-6 SPL ASGE		Rev. 2
2.	380906	REP BY 196839		Rev 1; Use up stock
3.	044444	WALTERSCHEID CROSS & BRG KIT		
4.	041576	WS INBOARD YOKE		
5.	020616	WS SPRING PIN		
6.	047895	WS INNER PROFILE		
7.	377335	WS SHIELD CONE - 5 RIB		
8.	087276	WS BEARING RING - SC25		
9.	382155	WS OUTER SHIELD TUBE WITH CAP		
10.	387393	WS INNER SHIELD TUBE WITH CAP		
11.	047907	WS OUTER PROFILE		
12.	041577	WS INBORD YOKE		
13.	352124	WS SHEAR BOLT CLUTCH		
14.	339107	WS Q.D. PIN KIT		
15.	802-115C	HHCS 5/16-18X2 GR5		
16.	803-011C	NUT LOCK 5/16-18 PLT		
17.	365305	WALTERSCHEID SCREW		
18.	044321	DRIVELINE SHIELD SAFETY CHAIN		
19.	818-540C	DECAL DANGER GUARD MISS PTO		Rev. 2
19.	383334	WALTERSCHEID DNGR DECAL-STEEL		Rev 1; Use up stock
20.	818-552C	DECAL DANGER PTO DRIVELINE		Rev. 2
20.	383333	WALTERSCHEID DANGER DECAL-SHLD		Rev 1; Use up stock

Driveline Slip Clutch (1465603) Eurocardan

Applies to RTA2534, RTA2542, RTA2548, RTA2555, RTA2562, RTA2570



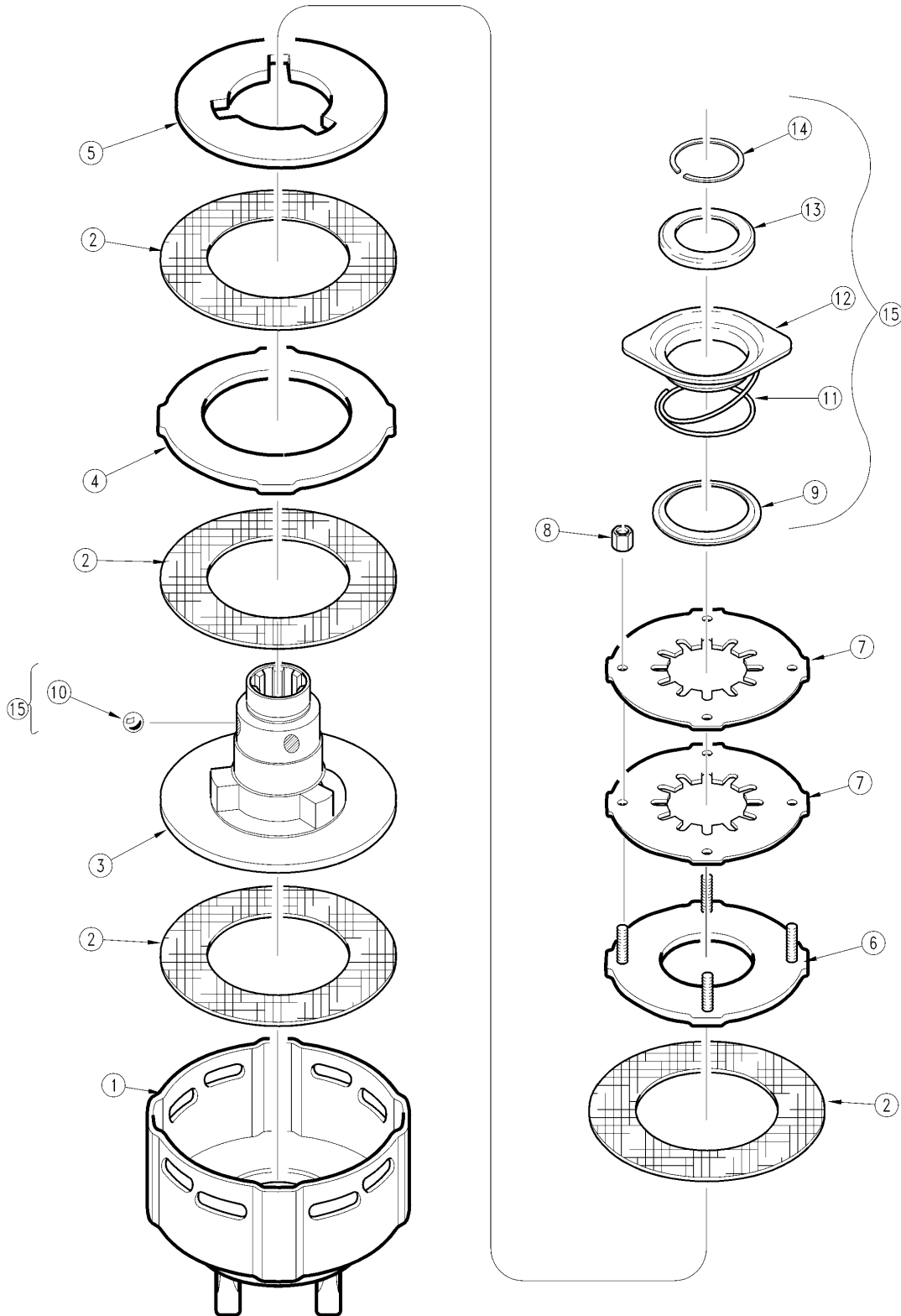
21303

Driveline Slip Clutch (1465603) Eurocardan**Applies to RTA2534, RTA2542, RTA2548, RTA2555, RTA2562, RTA2570**

Ref	Part No.	Part Description	Comments	Revision
	dwg21303	Drawing Image Number		
	1465603	EC CLUTCH BD4/5 1000Nm		
1.	1004225	EC PULL COLLAR KIT		
2.	6040816	EC SCREW M8 X 16		
3.	1134012	EC CLOSURE FLANGE		
4.	1216913	EC SPRING KIT (R450Nm)		
5.	1134011	EC PRESSURE FLANGE		
6.	1806010	EC FRICTION DISC		
7.	1706085	EC HUB WITH FLANGE 1.38-6		
8.	1136008	EC INT. FLANGE		
9.	1136010	EC HUB DISC		
10.	1705009	EC CLUTCH BUSHING		
11.	1465001	EC OUTER BODY FOR BD4/5		

Driveline Slip Clutch (318851) Walterscheid

Applies to RTA2534, RTA2542, RTA2548, RTA2555, RTA2562, RTA2570



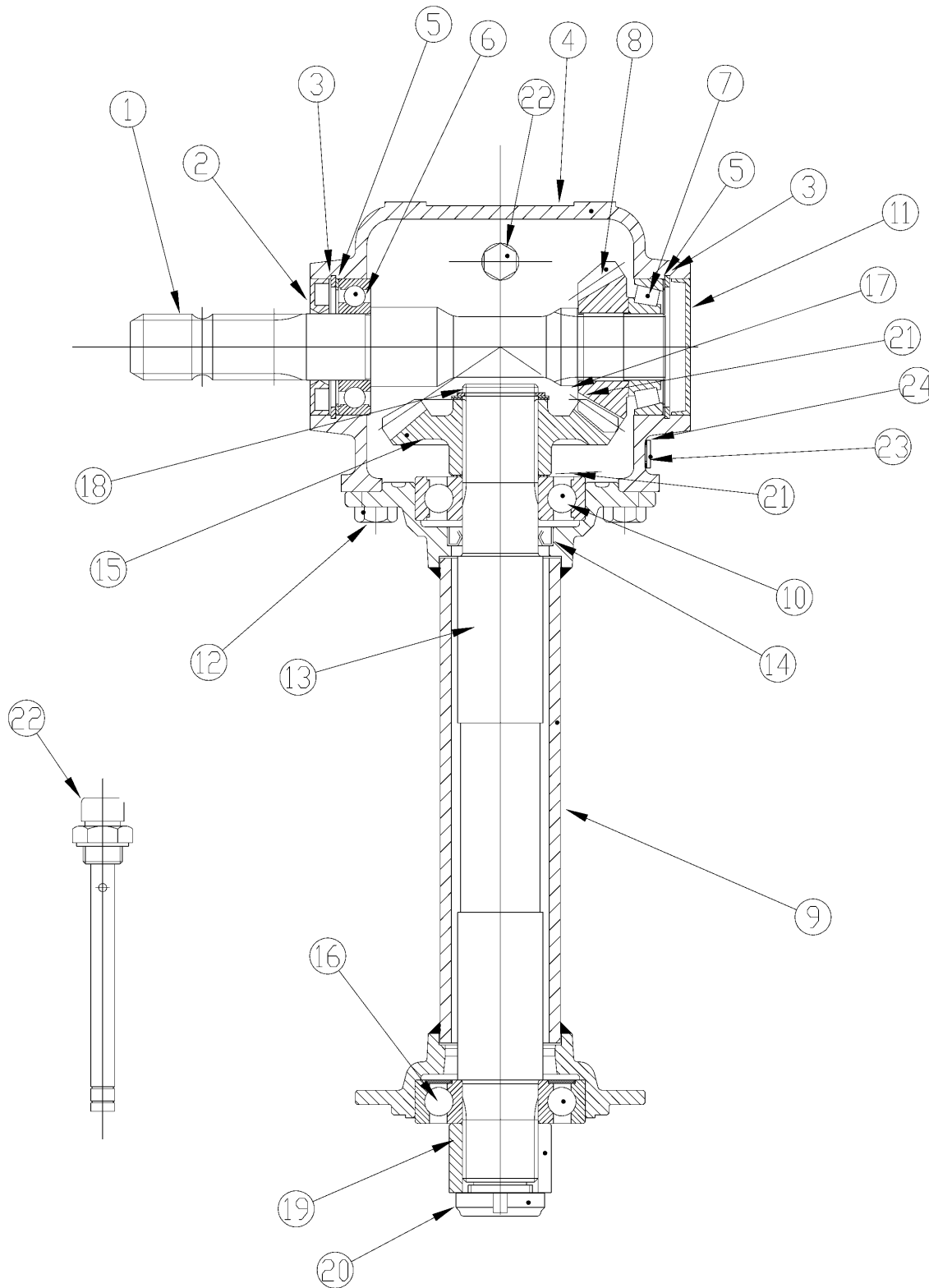
10365

Driveline Slip Clutch (318851) Walterscheid**Applies to RTA2534, RTA2542, RTA2548, RTA2555, RTA2562, RTA2570**

Ref	Part No.	Part Description	Comments	Revision
	dwg10365	Drawing Image Number		
	318851	WS FRICTION CLUTCH		
1.	316956	WS CLUTCH HOUSING		
2.	168556	WS FRICTION DISK		
3.	051554	WS HUB 1 3/8" - 6 SPL.		
4.	042454	WS DRIVE PLATE		
5.	042459	WS DRIVE PLATE		
6.	381495	WALTERSCHEID THRUST PLATE		
7.	043487	WALTERSCHEID BELLEVILLE SPRING		
8.	381957	WALTERSCHEID HEX NUT M8		
9.	047825	WALTERSCHEID BACK UP RING		
10.	020692	WALTERSCHEID BALL		
11.	045793	WALTERSCHEID COMPRESSION SPRNG		
12.	045790	WALTERSCHEID LOCK COLLAR		
13.	338531	WS FLANGED RING		
14.	304149	WS SNAP RING		
15.	341953	WS Q.D. FLG. KIT	Includes items 9, 11 through 14; three of item 10	

Gearbox 826-537C

Applies to RTA2562



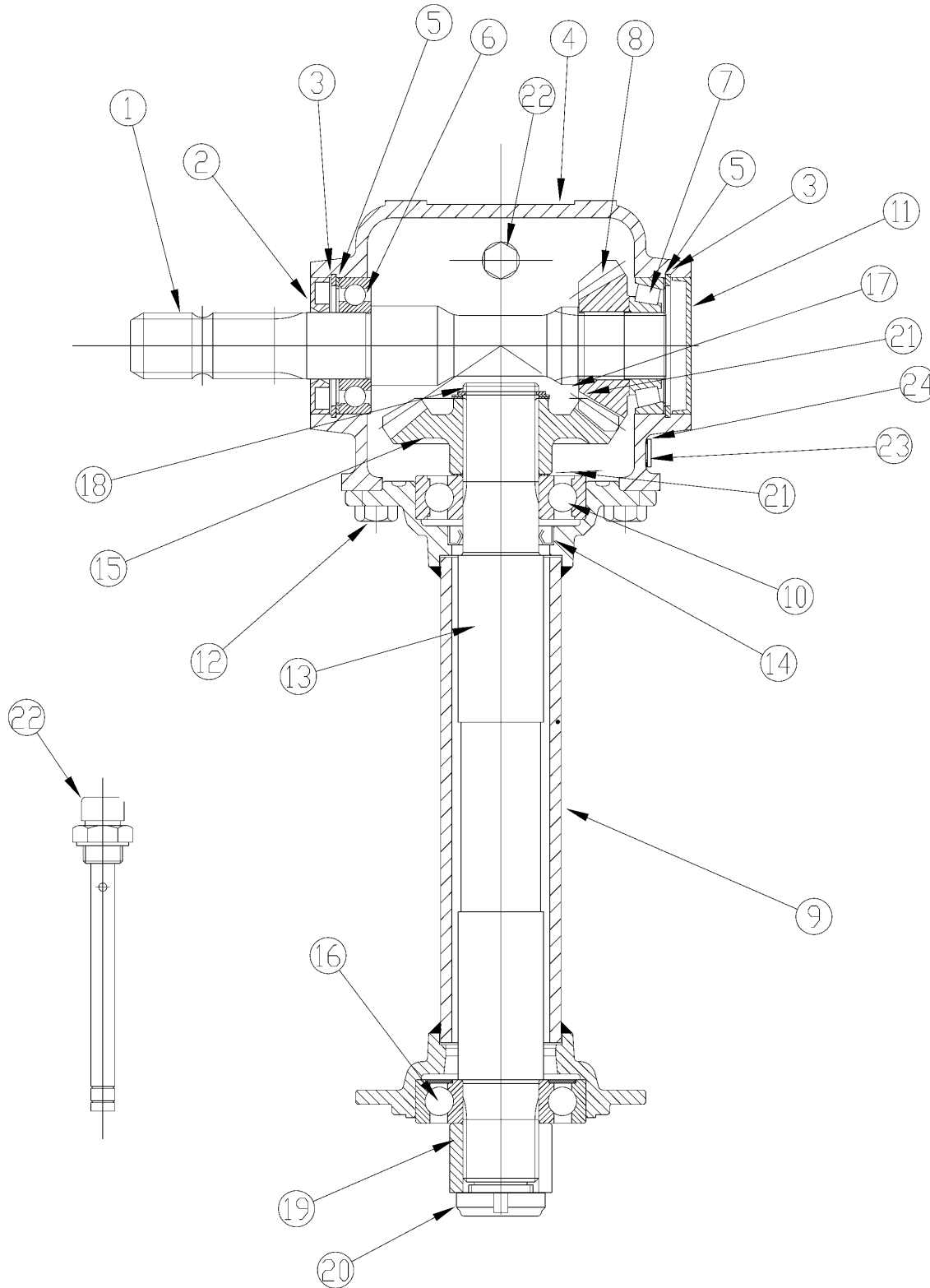
25637

Gearbox 826-537C**Applies to RTA2562**

Ref	Part No.	Part Description	Comments	Revision
	dwg25637 826-537C	Drawing Image Number GBOX 800MM 1.46:1 RTA2562 *		
1.	0.261.2201.00	CO INPUT SHAFT 1" 3/8 Z6		
2.	8.7.3.00055	CO OIL SEAL 35 X 72 X 10		
3.	8.5.2.01071	CO SNAP RING (72X75X3)		
4.	0.261.0702.00	CO HOUSING		
5.	A.248.500	COMER SHIM KIT 71.7		
6.	822-166C	BRG BALL 1.37IDX2.83OD 6207		
7.	822-167C	BRG ROLLER 1.37IDX2.83OD SET		
8.	0.261.5201.00	CO PINION Z15 M5.7		
9.	2.261.1718.00	CO EXTENSION L.800		
10.	8.0.1.00050	CO BALL BRG 6308(40X90X23)		
11.	8.7.0.00744	CO CAP 72 X 10		
12.	8.1.1.00501	CO BOLT M8X22 HHB		
13.	0.261.3707.00	CO OUTPUT SHAFT L.800		
14.	8.7.3.00603	CO OIL SEAL 40 X 62 X 7		
15.	0.121.6001.00	CO GEAR CROWN Z22 M5.7		
16.	8.0.1.00552	CO BALL BRG 6308-Z		
17.	0.457.7510.00	CO SHIM (40.3X46.7X1)		
18.	8.5.1.00680	CO SNAP RING 40 UNI 7436		
19.	0.261.7101.00	CO SPACER (40.5X51X36.5)		
20.	8.2.6.00294	CO NUT, LK SPNR HD M35X1 RTA25		
21.	0.457.7500.00	CO SHIM KIT (40.3X46.7)		
22.	0.195.7101.00	COMER U0.195.7101.00 OIL PLUG		
23.	8.6.6.01702	OIL DRAIN PLUG 1/4"GAS		
24.	8.3.0.02248	CO SPRING WASHER		

Gearbox 826-542C

Applies to RTA2570



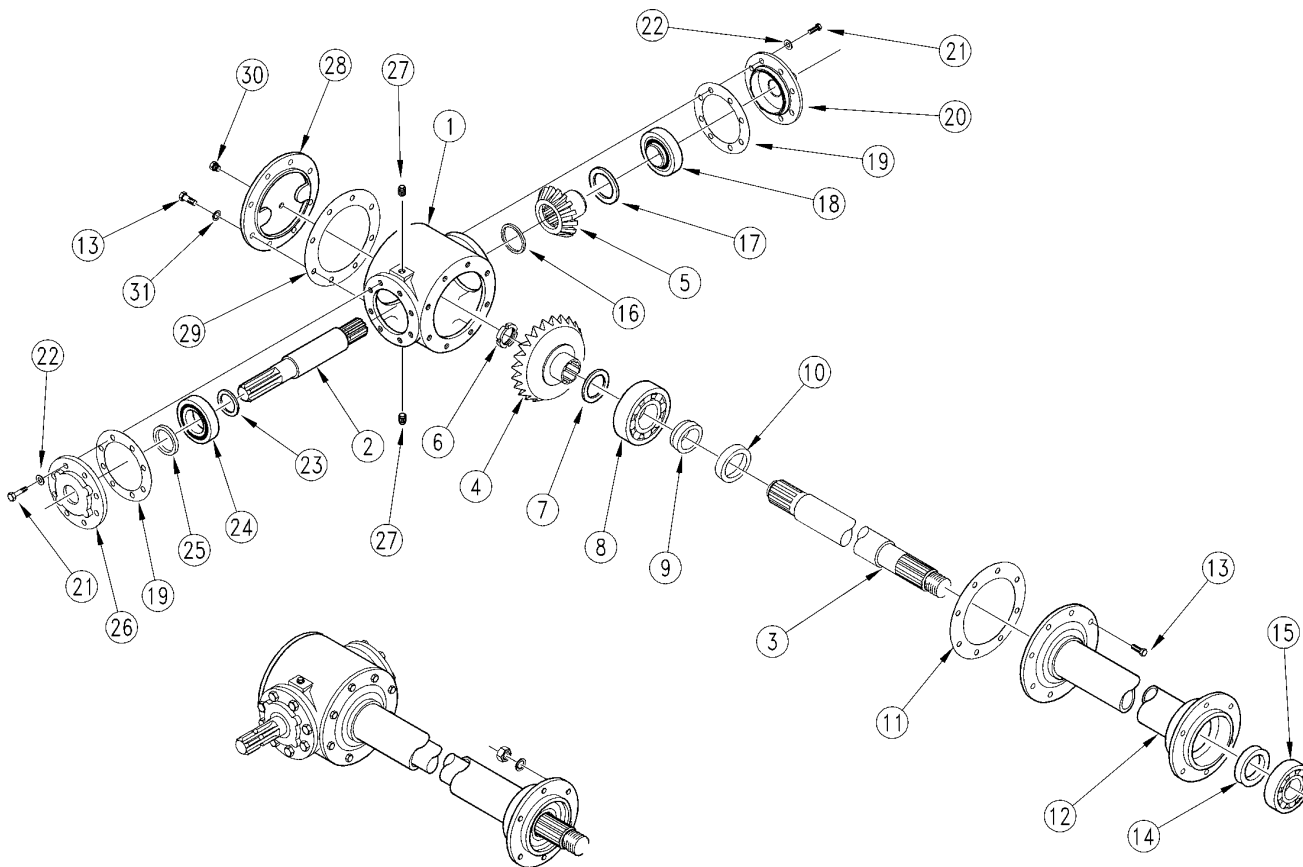
25638

Gearbox 826-542C**Applies to RTA2570**

Ref	Part No.	Part Description	Comments	Revision
	dwg25638	Drawing Image Number		
	826-542C	GBOX 900MM 1.46:1 RTA2570 *		
1.	0.261.2201.00	CO INPUT SHAFT 1" 3/8 Z6		
2.	8.7.3.00055	CO OIL SEAL 35 X 72 X 10		
3.	8.5.2.01071	CO SNAP RING (72X75X3)		
4.	0.261.0702.00	CO HOUSING		
5.	A.248.500	COMER SHIM KIT 71.7		
6.	822-166C	BRG BALL 1.37IDX2.83OD 6207		
7.	822-167C	BRG ROLLER 1.37IDX2.83OD SET		
8.	0.261.5201.00	CO PINION Z15 M5.7		
9.	2.261.1727.00	CO EXTENSION L.900		
10.	8.0.1.00050	CO BALL BRG 6308(40X90X23)		
11.	8.7.0.00744	CO CAP 72 X 10		
12.	8.1.1.00501	CO BOLT M8X22 HHB		
13.	0.261.3713.00	CO OUTPUT SHAFT L.900		
14.	8.7.3.00603	CO OIL SEAL 40 X 62 X 7		
15.	0.121.6001.00	CO GEAR CROWN Z22 M5.7		
16.	8.0.1.00552	CO BALL BRG 6308-Z		
17.	0.457.7510.00	CO SHIM (40.3X46.7X1)		
18.	8.5.1.00680	CO SNAP RING 40 UNI 7436		
19.	0.261.7101.00	CO SPACER (40.5X51X36.5)		
20.	8.2.6.00294	CO NUT, LK SPNR HD M35X1 RTA25		
21.	0.457.7500.00	CO SHIM KIT (40.3X46.7)		
22.	826-488C	COMER U0.195.7101.00 OIL PLUG		
23.	8.6.6.01702	OIL DRAIN PLUG 1/4"GAS		
24.	8.3.0.02248	CO SPRING WASHER		

Gearbox (311-146S) (311-147S) (311-148S) (311-149S) (311-150S) Comer

Applies to RTA2534, RTA2542, RTA2548, RTA2555, RTA2562, RTA2570



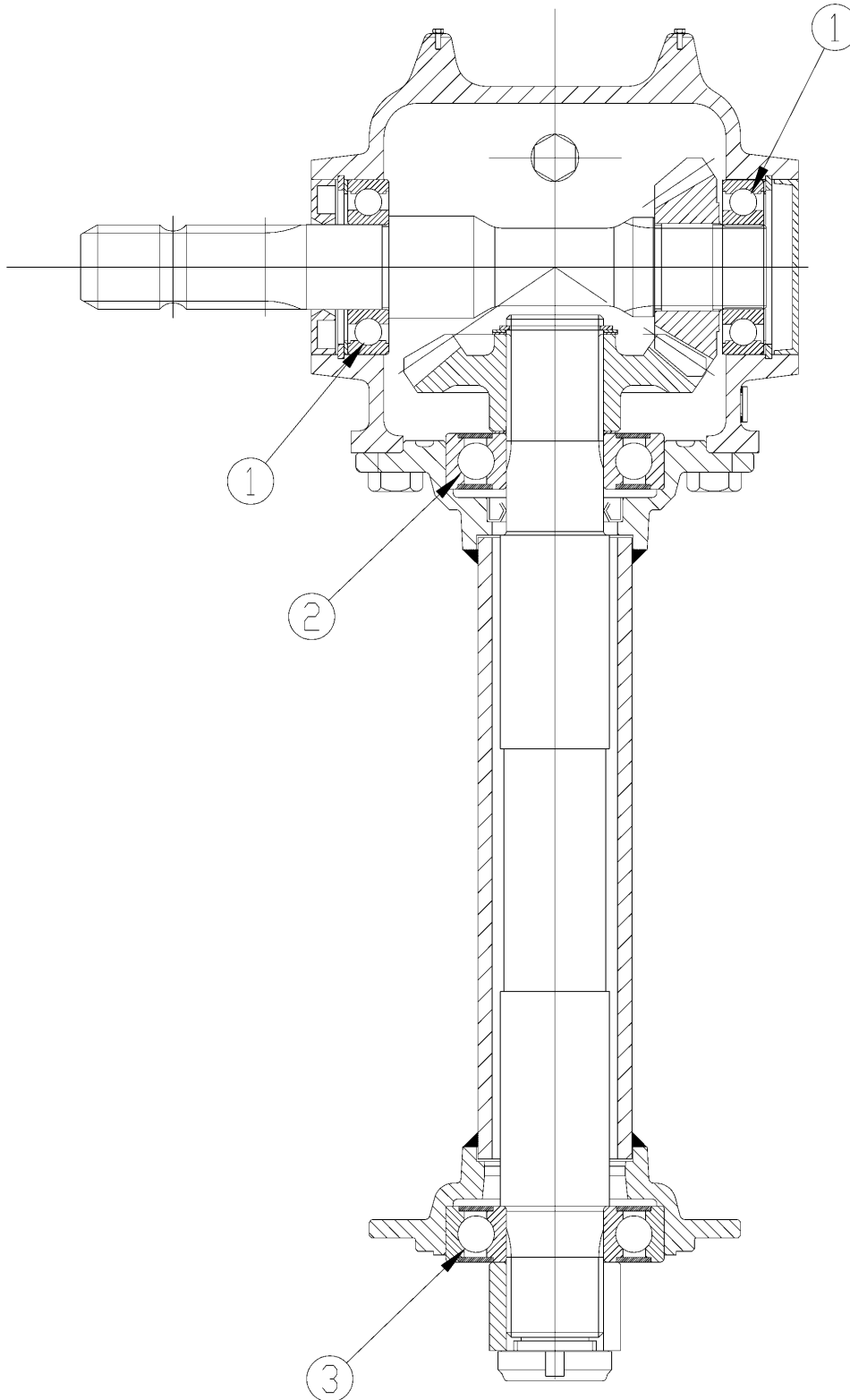
10369

Gearbox (311-146S) (311-147S) (311-148S) (311-149S) (311-150S) Comer**Applies to RTA2534, RTA2542, RTA2548, RTA2555, RTA2562, RTA2570**

Ref	Part No.	Part Description	Comments	Revision
	dwg10369	Drawing Image Number		
	311-146S	GEARBOX ASSY 400MM RTA2534/42		
	311-147S	GEARBOX ASSY 600MM RTA2548		
	311-148S	GEARBOX ASSY 700MM RTA2555		
	311-149S	GEARBOX ASSY 800MM RTA2562		
	311-150S	GEARBOX ASSY 900MM RTA2570		
1.	0.113.0302.00	CO HOUSING GEARBOX RTA25		
2.	0.113.2205.00	CO SHAFT INPUT RTA25		
3.	0.113.3700.00	CO SHAFT OUTPUT 400MM RTA2534, RTA2542		
3.	0.113.3701.00	CO SHAFT OUTPUT 600MM RTA2548		
3.	0.113.3702.00	CO SHAFT OUTPUT 700MM RTA2555		
3.	0.113.3703.00	CO SHAFT OUTPUT 800MM RTA2562		
3.	0.113.3704.00	CO SHAFT OUTPUT 900MM RTA2570		
4.	0.248.6007.02	CO GEAR OUTPUT 23T RTA25		
5.	0.248.5013.00	CO GEAR INPUT 12T RTA25		
6.	8.2.6.00294	CO NUT, LK SPNR HD M35X1 RTA25		
7.	A257.500	CO SHIM 67.7MM RTA25		Rev. 2
7.	0.257.7500.00	RPBY A257.500		Rev 1; Use up stock
8.	8.0.1.00118	CO BEARING 6311 RTA25		
9.	0.108.7100.04	CO BUSHING RTA25		
10.	8.7.3.00217	CO OIL SEAL 55 X 68 X 8 RTA25		
11.	0.248.7200.00	COMER GASKET		
12.	2.113.1739.00	CO EXTENSION 400MM RTA2534, RTA2542		
12.	2.113.1740.00	CO EXTENSION 600MM RTA2548		
12.	2.113.1741.00	CO EXTENSION 700MM RTA2555		
12.	2.113.1742.00	CO EXTENSION 800MM RTA2562		
12.	2.113.1743.00	CO EXTENSION 900MM RTA2570		
13.	802-285C	HHCS M10X1.5X25 GR8.8 BLK		
14.	8.7.3.00101	CO OIL SEAL 45 X 60 X 7 RTA35		
15.	822-079C	BEARING 309		
16.	0.248.7100.00	CO SPACER RTA25GB		
17.	A252.500	CO SHIM 65.3MM RTA25		Rev. 2
17.	0.252.7500.00	RPBY A252.500		Rev 1; Use up stock
18.	8.0.9.00143	CO BEARING 30209 RTA25		
19.	0.248.7201.01	CO GASKET RTA25		
20.	0.113.1304.01	CO REAR CAP RTA25		
21.	8.1.1.00054	CO BOLT M10X20 8.8		
22.	8.3.7.00324	CO WSH BLVL M10 5X16X1.5 RTA25		
23.	A.259.500	CO ADJUSTMENT SPACER, 35.3 X48		Rev. 2
23.	0.259.7500.00	RPBY A.259.500		Rev 1; Use up stock
24.	822-167C	BEARING TAPER ROLLER 30207 SET		Rev. 2
24.	8.0.9.00026	REP BY 822-167C		Rev 1; Use up stock
25.	8.7.3.00043	CO OIL SEAL 35 X 47 X 7 RTA25		
26.	0.113.1314.00	CO FRONT CAP RTA25		
27.	8.6.5.00006	CO OIL PLUG 3/8		
28.	311-191D	COMER LZ14 MOUNTING CAP		
29.	0.248.7200.00	COMER GASKET		
30.	811-316C	PL 1/8MNPT		
31.	804-077C	WASHER LOCK M10 BLK		

Gearbox MR 826-426C, 826-427C & 826-428C

Applies to RTA2555, RTA2562, RTA2570



25652

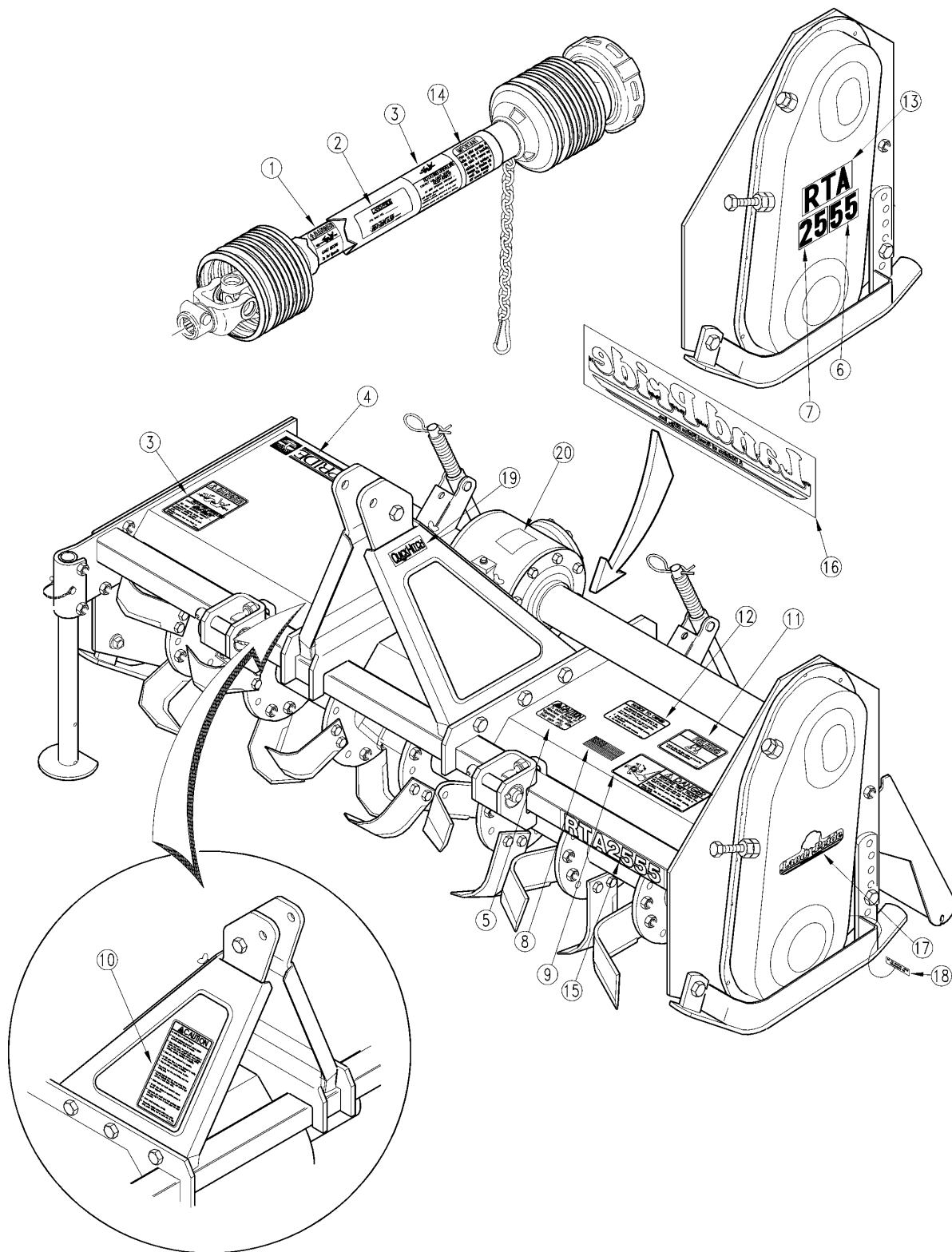
Gearbox MR 826-426C, 826-427C & 826-428C

Applies to RTA2555, RTA2562, RTA2570

Ref	Part No.	Part Description	Comments	Revision
		No Parts List Available At This Time		

Label Placement

Applies to RTA2534, RTA2542, RTA2548, RTA2555, RTA2562, RTA2570



17587

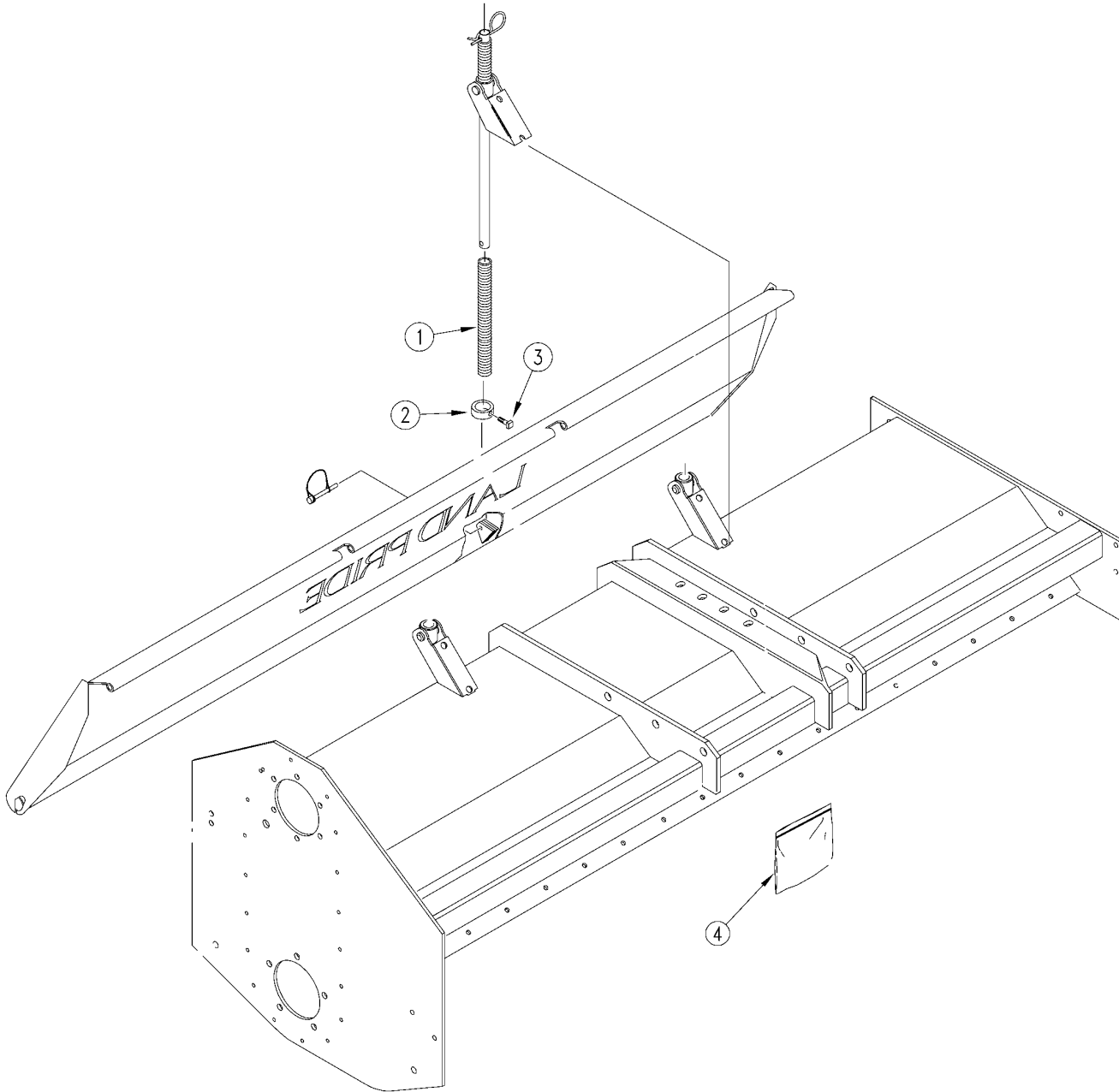
Label Placement

Applies to RTA2534, RTA2542, RTA2548, RTA2555, RTA2562, RTA2570

Ref	Part No.	Part Description	Comments	Revision
	dwg17587	Drawing Image Number		
	311-137A	RTA2534 DECAL PACKAGE	Includes items 1 through 13	
	311-138A	RTA2548 DECAL PACKAGE	Includes items 1 through 13	
	311-139A	RTA2555 DECAL PACKAGE	Includes items 1 through 13	
	311-140A	RTA2562 DECAL PACKAGE	Includes items 1 through 13	
	311-141A	RTA2570 DECAL PACKAGE	Includes items 1 through 13	
	311-203A	RTA2542 DECAL PACKAGE	Includes items 1 through 13	
	311-061A	RTA10/15 SAFETY DECAL PACKAGE	Includes items 1, 5, 9, and 10; two of item 3	
1.	818-540C	DECAL DANGER GUARD MISS PTO		
2.	818-222C	DECAL PTO RTA25 SHEAR BOLT		
2.	818-191C	DECAL PTO {826-025C}		
3.	818-552C	DECAL DANGER PTO DRIVELINE		
4.	818-896C	DECAL LP W/TREE 6" - 2 COLOR	(S/N 255500+)	
4.	818-164C	LP LOGO SMALL GREEN USE ON 25-34 ONLY	(S/N 255499-)	
4.	818-162C	LP LOGO LARGE GREEN	(S/N 255499-)	
5.	818-130C	DECAL CAUTION 540 RPM		
6.	818-167C	DECAL 34 LP - BLACK	(S/N 255499-)	
6.	818-168C	DECAL 42 LP - BLACK	(S/N 255499-)	
6.	818-087C	DECAL 48 LP - BLACK	(S/N 255499-)	
6.	818-213C	DECAL 55 LP-BLACK SHOWN	(S/N 255499-)	
6.	818-214C	DECAL 62 LP-BLACK	(S/N 255499-)	
6.	818-216C	DECAL 70 LP-BLACK	(S/N 255499-)	
7.	818-085C	DECAL 25 SERIES LP - BLACK	(S/N 255499-)	
8.	818-190C	DECAL FLAG		
9.	818-171C	DECAL DANGER ROTATING TINES		
10.	818-858C	DECAL CAUTION GENERAL SAFETY	(S/N 243232+)	Rev. 2 not compat. w/Rev. 1
10.	818-350C	DECAL CAUTION GENERAL SAFETY	(S/N 243231-)	Rev. 1
11.	818-557C	DECAL DANGER CANNOT READ ENG	(S/N 255499-)	
12.	818-560C	DECAL NOTICE TO OWNER-NO WARRA		
13.	818-744C	DECAL RTA LAND PRIDE BLACK	(S/N 255499-)	
14.	818-680C	DECAL IMPORTANT - SLIP CLUTCH	(S/N 211783+)	
15.	818-952C	DECAL RTA2534-BROWN	(S/N 255500+)	
15.	818-953C	DECAL RTA2548-BROWN	(S/N 255500+)	
15.	818-954C	DECAL RTA2555-BROWN	(S/N 255500+)	
15.	818-955C	DECAL RTA2562-BROWN	(S/N 255500+) Beige Unit	
15.	848-163C	DECAL RTA2562-GOLD	Orange Unit	
15.	818-956C	DECAL RTA2570-BROWN	(S/N 255500+) Beige Unit	
15.	848-164C	DECAL RTA2570-GOLD	Orange Unit	
16.	818-907C	DECAL LANDPRIDE 22" - BROWN	(S/N 255500+) Beige Unit	
16.	838-966C	DECAL LANDPRIDE 22" BROWN/GOLD	Orange Unit	
17.	818-896C	DECAL LP W/TREE 6" - 2 COLOR	(S/N 255500+)	
18.	838-415C	DECAL SHELL ALVANIA EP 00	(S/N 343-520+)	
19.	838-517C	DECAL QUICK HITCH SYSTEM		
20.	838-862C	DECAL 3 YEAR GEARBOX WARRANTY		

Rear Deflector Down Pressure Kit

Applies to RTA2534, RTA2542, RTA2548, RTA2555, RTA2562, RTA2570



11077

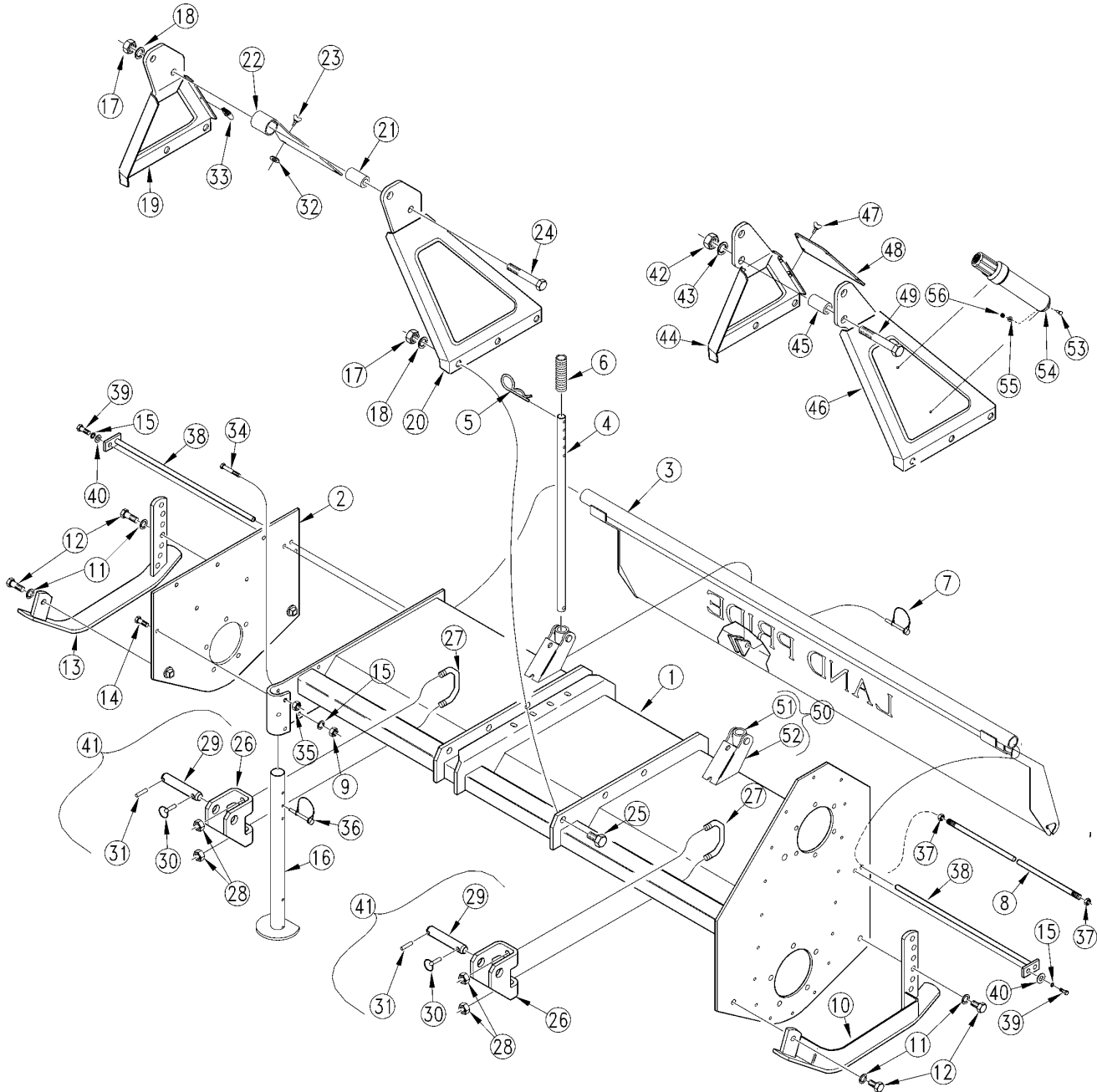
Rear Deflector Down Pressure Kit

Applies to RTA2534, RTA2542, RTA2548, RTA2555, RTA2562, RTA2570

Ref	Part No.	Part Description	Comments	Revision
	dwg11077	Drawing Image Number		
	311-162A	DOWN PRESSURE KIT RTA25/35 *		
1.	807-005C	SPRING DISC ARM		
2.	311-209D	SPRING ROD COLLAR RTA25/35		
3.	802-014C	HHCS 3/8-16X3/4 GR5		
4.	311-134M	TILLER DOWN PRESS. KIT NOTICE		

Frame

Applies to RTA3550, RTA3558, RTA3568, RTA3576



10375

Frame**Applies to RTA3550, RTA3558, RTA3568, RTA3576**

Ref	Part No.	Part Description	Comments	Revision
	dwg10375	Drawing Image Number		
1.	311-074H	FRAME WELDMENT RTA3550		
1.	311-075H	FRAME WELDMENT RTA3558		
1.	311-387H	RTA3568 FRAME WELD	(SN 395687+)	
1.	311-076H	FRAME WELDMENT RTA3568	(SN 395686-)	
1.	311-389H	RTA3576 FRAME WELD	(SN 395687+)	
1.	311-389H82	RTA3576 FRAME WELD ORANGE		
1.	311-077H	FRAME WELDMENT RTA3576	(SN 395686-)	
2.	311-388H	RTA35 RH ENDPLATE BOLTON	(SN 395687+)	
2.	311-388H82	RH ENDPLATE BOLTON ORANGE		
2.	311-108H	RH ENDPLATE WELDMENT RTA35	(SN 395686-)	
3.	311-092H	REAR DEFLECTOR RTA3550		
3.	311-093H	REAR DEFLECTOR RTA3558		
3.	311-367H	RTA3568 REAR DEFLECTOR	(SN 395687+)	
3.	311-094H	REAR DEFLECTOR RTA3568	(SN 395686-)	
3.	311-366H	RTA3576 REAR DEFLECTOR	(SN 395687+)	
3.	311-366H82	RTA3576 REAR DEFLECTOR ORANGE		
3.	311-095H	REAR DEFLECTOR RTA3576	(SN 395686-)	
4.	311-202D	SPRING ROD RTA25/35/RTR25		
5.	805-143C	PIN HAIR COTTER .120 PLT		Rev. 2
5.	805-032C	PIN HAIR COTTER .148 WIRE		Rev 1; Use up stock
6.	807-007C	SPRING LEVER		
7.	805-065C	PIN WIRE RETAINING 1/4 X 1 3/4		
8.	311-051D	REAR DEFL ROD 10/1550 TILR	(S/N 52499-) See item 38 for S/N 52500+ RTA3550	
8.	311-062D	REAR DEFL ROD 10/1558 TILLER	(S/N 52499-) See item 38 for S/N 52500+ RTA3550	
8.	311-137D	REAR DEFLECTOR ROD RTA3568	(S/N 52499-) See item 38 for S/N 52500+ RTA3550	
8.	311-138D	REAR DEFLECTOR ROD RTA3576	(S/N 52499-) See item 38 for S/N 52500+ RTA3550	
9.	803-014C	NUT HEX 3/8-16 PLT		
10.	311-097H	LH SKIDSHOE RTA25/35		
10.	311-097H82	LH SKIDSHOE RTA25/35 ORANGE		
11.	804-015C	WASHER LOCK SPRING 1/2 PLT		
12.	802-091C	HHCS 1/2-13X1 1/2 GR5		
13.	311-096H	RH SKIDSHOE RTA25/35		
13.	311-096H82	RH SKIDSHOE RTA25/35 ORANGE		
14.	802-017C	HHCS 3/8-16X1 GR5		
15.	804-013C	WASHER LOCK SPRING 3/8 PLT		
16.	311-101H	PARKING STAND RTA35		
16.	311-101H82	PARKING STAND RTA25/35 ORANGE		
17.	803-021C	NUT HEX 5/8-11 PLT		
18.	804-022C	WASHER LOCK SPRING 5/8 PLT		
19.	311-104E	RH TOP HITCH WELDMENT RTA35	(S/N 278043-)	
20.	311-105E	LH TOP HITCH WELDMENT RTA35	(S/N 278043-)	
21.	311-204D	TOP HITCH SPACER RTA35	(S/N 278043-)	
22.	311-190D	PTO GUARD RTA35	(S/N 278043-)	
23.	800-096C	STUD 1/4 TURN WING HD #85-360	(S/N 278043-)	
24.	802-153C	HHCS 5/8-11X3 3/4 GR5	(S/N 278043-)	
25.	802-051C	HHCS 5/8-11X1 1/2 GR5		
26.	311-106H	LOWER HITCH WLDMNT RTA35/RTR25		
26.	311-106H82	LOWER HITCH RTA35/RTR25 ORANGE		
27.	806-054C	U-BOLT 5/8-11 X 3 5/16 X 2 5/8		
28.	803-148C	NUT HEX NYLOCK 5/8-11 PLT		
29.	805-198C	PIN LOWER HITCH 7/8X3 1/16USBL		
30.	805-015C	PIN LYNCH 5/16 X 1 3/4		
31.	805-041C	PIN ROLL 1/4X1 3/4		

Frame (continued)

Applies to RTA3550, RTA3558, RTA3568, RTA3576

Ref	Part No.	Part Description	Comments	Revision
32.	800-098C	RETAINER SPLIT RING #85	(S/N 278043-)	
33.	800-097C	RECPTCLE 1/4 TURN CLIP ON #85	(S/N 278043-)	
34.	802-138C	HHCS 5/16-18X2 1/4 GR5		
35.	803-011C	NUT LOCK 5/16-18 PLT		
36.	805-155C	PIN WIRE RETAIN 5/16 X 2 1/2		
37.	803-013C	NUT LOCK 3/8-16 PLT		
38.	311-193H	19 1/4 HINGE ROD WELDMNT 25/35	(S/N 52500+) See item 8 for S/N 52499- RTA3550 & RTA3558	
38.	311-450D	TAILGTE LOCK 20 SERIES	(S/N 395687+)	Rev. 2
38.	311-196H	27 1/2 HINGE ROD WELDMNT 25/35	(S/N 52500+) See item 8 for S/N 52499- RTA3568 & RTA3576	Rev 1; Use up stock
39.	802-079C	HHCS 3/8-16X1 1/4 GR5		
40.	804-012C	WASHER FLAT 3/8 SAE PLT		
41.	310-020S	LOWER HITCH PIN	Includes items 29 & 31	
42.	803-027C	NUT HEX 3/4-10 PLT	(S/N 278044+)	
43.	804-023C	WASHER LOCK SPRING 3/4 PLT	(S/N 278044+)	
44.	311-270E	RH TOP HITCH RTA35	(S/N 278044+)	
44.	311-270E82	RH TOP HITCH RTA35 ORANGE		
45.	308-400D	SPACER 1 1/4OD X 25/32ID X 2LG	(S/N 278044+)	
46.	311-269E	LH TOP HITCH RTA35	(S/N 278044+)	
46.	311-269E82	LH TOP HITCH RTA35 ORANGE		
47.	801-042C	SCREW THUMB 5/16-18 X 5/8 PLT	(S/N 278044+)	
48.	311-349D	RTA35 3PT GB SHAFT GUARD	(S/N 278044+)	
48.	311-349D82	RTA 3PT GB SHAFT GUARD ORANGE		
49.	802-068C	HHCS 3/4-10X4 GR5	(S/N 306787+)	Rev. 2
49.	802-067C	HHCS 3/4-10X4 GR5 FTTHD	(S/N 278044 <-> 306786)	Rev 1; Use up stock
50.	311-099S	SPRNG ROD TRUNN ASSY RTA25/35		
51.	812-127C	CASTING SPRING ROD RTA25/35		
52.	311-154D	SPRNG ROD UPPER BRCKT RTA25/35		
53.	802-005C	HHCS 1/4-20X1 GR5	(S/N 543629+)	
54.	816-504C	MANUAL STORAGE CONTAINER	(S/N 543629+)	
55.	804-007C	WASHER FLAT 1/4 SAE PLT	(S/N 543629+)	
56.	803-255C	NUT HEX NYLOCK 1/4-20	(S/N 543629+)	

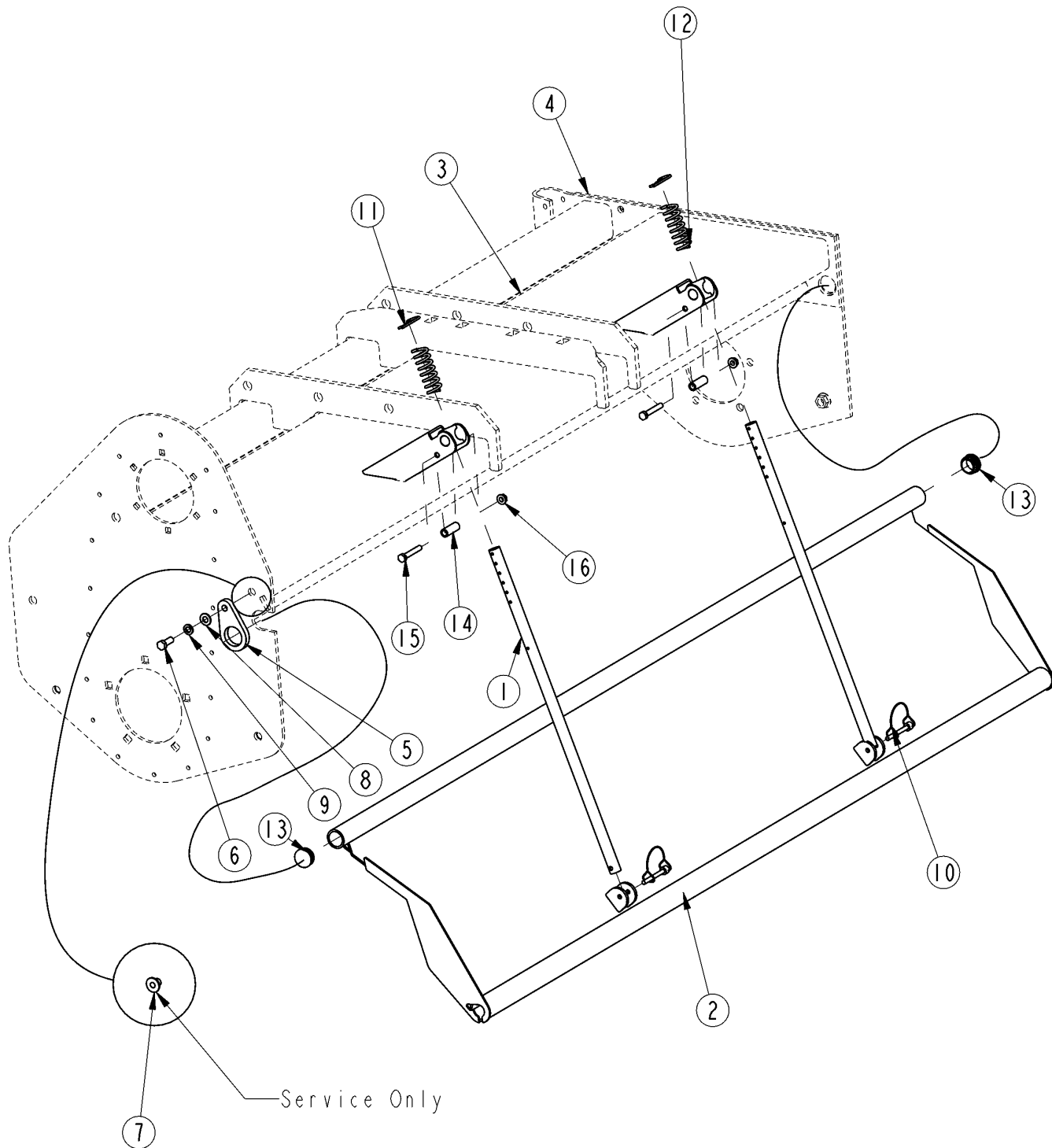
Frame (continued)

Applies to RTA3550, RTA3558, RTA3568, RTA3576

This Page Intentionally Left Blank

Rear Deflector (RTA3568 Shown) (S/N 395687+)

Applies to RTA3550, RTA3558, RTA3568, RTA3576



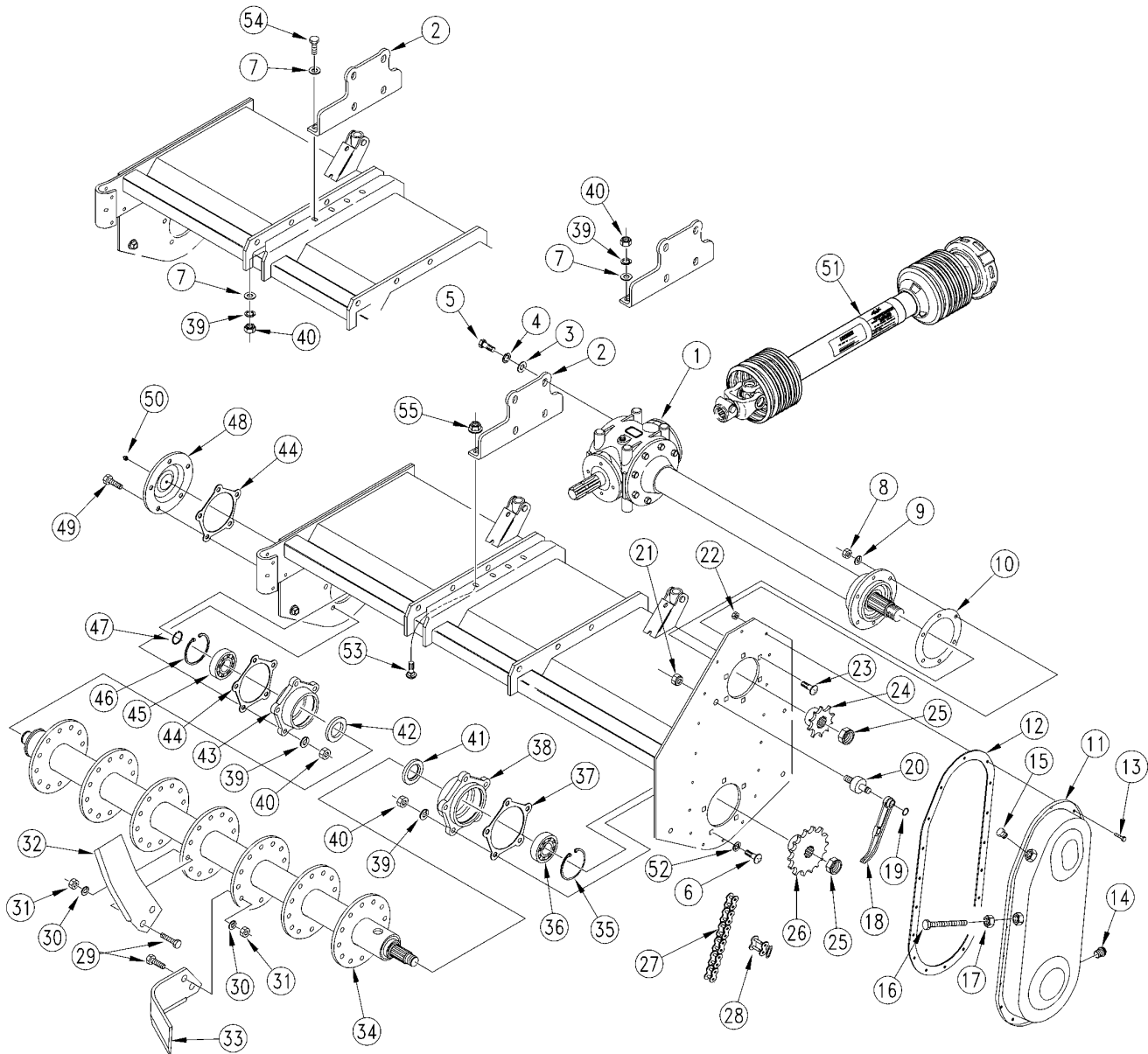
22223

Rear Deflector (RTA3568 Shown) (S/N 395687+)**Applies to RTA3550, RTA3558, RTA3568, RTA3576**

Ref	Part No.	Part Description	Comments	Revision
	dwg2223	Drawing Image Number		
1.	311-202D	SPRING ROD RTA20/25/35RTR20/25		
2.	311-367H	RTA3568 REAR DEFLECTOR		
2.	311-366H	RTA3576 REAR DEFLECTOR		
2.	311-366H82	RTA3576 REAR DEFLECTOR ORANGE		
3.	311-387H	RTA3568 FRAME WELD		
3.	311-389H	RTA3576 FRAME WELD		
3.	311-389H82	RTA3576 FRAME WELD ORANGE		
4.	311-388H	RTA35 RH ENDPLATE BOLTON		
4.	311-388H82	RH ENDPLATE BOLTON ORANGE		
5.	311-450D	TAILGTE LOCK 20 SERIES		
6.	802-017C	HHCS 3/8-16X1 GR5		
7.	803-105C	NUT WELD 3/8-16 W/1/2 SHANK	Weld in as needed	
8.	804-012C	WASHER FLAT 3/8 SAE PLT		
9.	804-013C	WASHER LOCK SPRING 3/8 PLT		
10.	805-065C	PIN WIRE RETAINING 1/4 X 1 3/4		
11.	805-143C	PIN HAIR COTTER .120 PLT		
12.	807-007C	SPRING LEVER		
13.	817-469C	PLUG PLASTIC (1" SCHED. 40 PIPE		
14.	311-731D	TRUNION SPACER	S/N _____+	
15.	802-115C	HHCS 5/16-18X2 GR5	S/N _____+	
16.	803-199C	NUT HEX FLANGE 5/16-18 PLT	S/N _____+	

Drive

Applies to RTA3550, RTA3558, RTA3568, RTA3576



10376

Drive**Applies to RTA3550, RTA3558, RTA3568, RTA3576**

Ref	Part No.	Part Description	Comments	Revision
	dwg10376	Drawing Image Number		
1.	826-048C	GEARBOX 600MM 1.86:1 RTA3550		
1.	826-049C	GEARBOX 700MM 1.86:1 RTA3558		
1.	826-429C	GBOX 900MM 1.5:1 RTA3568	(S/N 423440+)	Rev. 2
1.	826-050C	GEARBOX 900MM 1.86:1 RTA3568	(S/N 423439-)	Rev. 1
1.	826-430C	GBOX 1000MM 1.51:1 RTA3576	(S/N 415755+)	Rev. 2
1.	826-430C82	GBOX 1000MM 1.51:1 RTA3576 ORANGE		
1.	826-051C	GEARBOX 1000MM 1.86:1 RTA3576	(S/N 415754-)	Rev. 1
2.	311-193D	GEARBOX MOUNT BRACKET RTA35		
2.	311-193D82	GEARBOX MOUNT BRACKET RTA35 ORANGE		
3.	804-021C	WASHER FLAT 5/8 SAE PLT		
4.	804-022C	WASHER LOCK SPRING 5/8 PLT		
5.	802-050C	HHCS 5/8-11X1 1/4 GR5		
6.	802-477C	RHSSNB 1/2-13 X 1 1/2 GR5	(S/N 148242+)	Rev. 2 not compat. w/Rev. 1
6.	802-091C	HHCS 1/2-13X1 1/2 GR5	(S/N 148241-)	Rev. 1
7.	804-016C	WASHER FLAT 1/2 SAE PLT		
8.	803-014C	NUT HEX 3/8-16 PLT		
9.	804-013C	WASHER LOCK SPRING 3/8 PLT		
10.	816-095C	GEARBOX GASKET RTA25/35		
11.	311-098H	CHAIN GUARD WELDMENT RTA25/35		
11.	311-098H82	CHN GRD WDMNT ORANGE		
12.	816-092C	GASKET CHAIN GRD RTA25/35		
13.	802-719C	HFSS 1/4-20X7/8 GR5	(S/N 372753+)	Rev. 2
13.	802-257C	HFSS 1/4-20X3/4 GR5		Rev. 1
14.	800-066C	DRAIN PLUG 3/4-16 UNF PLATED		
15.	800-094C	FILL PLUG VENTED 3/4-16 PLT		
16.	802-286C	HHCS 5/8-11X4 GR5 FTHTD		
17.	803-023C	NUT HEX JAM 5/8-11 PLT		
18.	311-203D	CHAIN IDLER ARM RTA25/35		
19.	800-074C	SNAP RING EXT .591		
20.	311-200D	CHAIN TIGHTNER PIVOT RTA25/35		
21.	803-089C	NUT HEX FLANGE 5/8-18 PLT		
22.	803-007C	NUT LOCK 1/4-20 PLT		
23.	802-155C	RHSNB 3/8-16X1 1/4 GR5	(S/N 148242+)	Rev. 2 not compat. w/Rev. 1
23.	802-079C	HHCS 3/8-16X1 1/4 GR5	(S/N 148241-)	Rev. 1
24.	808-351C	SPKT 10T #100 12/24X20T SPLINE	RTA3568 (S/N 423440+) RTA3576 (S/N 415755+)	Rev. 2
24.	808-103C	SPKT 12T #100 12/24X20T SPLINE	RTA3568 (S/N 423439-) RTA3576 (S/N 415754-)	Rev. 1
25.	803-111C	NUT LT JAM 1 1/2-12 NYLN INSRT		
26.	808-105C	SPKT 17T #100 16/32X30T SPLINE		
27.	809-126C	CHAIN RL #100X39P HIGH TENSILE	RTA3568 (S/N 423440+) RTA3576 (S/N 415755+)	Rev. 2
27.	809-103C	CHAIN RL #100X40P HIGH TENSILE	RTA3568 (S/N 423439-) RTA3576 (S/N 415754-)	Rev. 1
28.	809-104C	CONNECTOR #100 HIGH TENSILE		Chain connect link clip (#28) to be installed so that open end is facing opposite direction of chain travel.
29.	802-278C	SP TINE HHCS 9/16-18X1 1/2 GR5		
30.	804-076C	WASHER LOCK 9/16 PLT		
31.	803-167C	NUT HEX 9/16-18 PLT		
32.	820-060C	BLADE TILLER 35 SERIES RH	50" = 15; 58" = 18; 68" = 21; 76" = 24	
33.	820-059C	BLADE TILLER 35 SERIES LH	50" = 15; 58" = 18; 68" = 21; 76" = 24	
34.	311-083H	ROTOR WELDMENT RTA3550		
34.	311-084H	ROTOR WELDMENT RTA3558		
34.	311-085H	ROTOR WELDMENT RTA3568		
34.	311-086H	ROTOR WELDMENT RTA3576		

Drive (continued)

Applies to RTA3550, RTA3558, RTA3568, RTA3576

Ref	Part No.	Part Description	Comments	Revision
35.	800-092C	SNAP RING INT 4.331		
36.	822-093C	BEARING 310		
37.	816-093C	GASKET LH BRG MNT RTA35		
38.	311-199D	LH LOWER BRG MOUNT RTA35		
38.	311-112S	LH BEARING ASSY RTA35	Includes one of items 35 through 38 & 41	
39.	804-015C	WASHER LOCK SPRING 1/2 PLT		
40.	803-020C	NUT HEX 1/2-13 PLT		
41.	816-096C	SEAL 2.5 X 3.876 X 0.469		
42.	816-091C	SEAL 2.25 X 3.5 X .438		
43.	311-198D	RH BEARING MOUNT RTA35		
43.	311-111S	RH BEARING ASSY RTA35	Includes one of items 42; 43; 45 & 46	
44.	816-094C	GASKET RTA25/35		
45.	822-079C	BEARING 309		
46.	800-017C	SNAP RING INTERNAL 3.938		
47.	800-090C	SNAP RING EXT HVY DUTY 1.75		
48.	311-136S	RH BRG COVER W/ZERK RTA35		
48.	311-136S82	RH BRG COVER W/ZERK RTA35 ORANGE		
49.	802-082C	HHCS 1/2-13X1 3/4 GR5		
50.	800-080C	GREASE ZERK 1/4-28 THD FORMING	(S/N 242272+)	Rev. 2 not compat. w/Rev. 1
50.	800-095C	ZERK GREASE 1/4 DRIVE #1952	(S/N 242271-)	Rev. 1
51.	826-032C	PTO SLIP CLUTCH RTA35	Refer to page 6-4	
52.	816-280C	GASKET 1.03OD.515SQ.HL1/32THK		
53.	802-106C	RHSNB 1/2-13X1 1/2 GR5	(S/N +)	Rev. 3
53.	802-477C	RHSSNB 1/2-13 X 1 1/2 GR5	(S/N 326877+)	Rev. 2 not compat. w/Rev. 1
53.	802-091C	HHCS 1/2-13X1 1/2 GR5	(S/N 326876-)	Rev. 1
54.	802-091C	HHCS 1/2-13X1 1/2 GR5		
55.	803-037C	NUT HEX WHIZ 1/2-13 PLT	(S/N 326877+)	

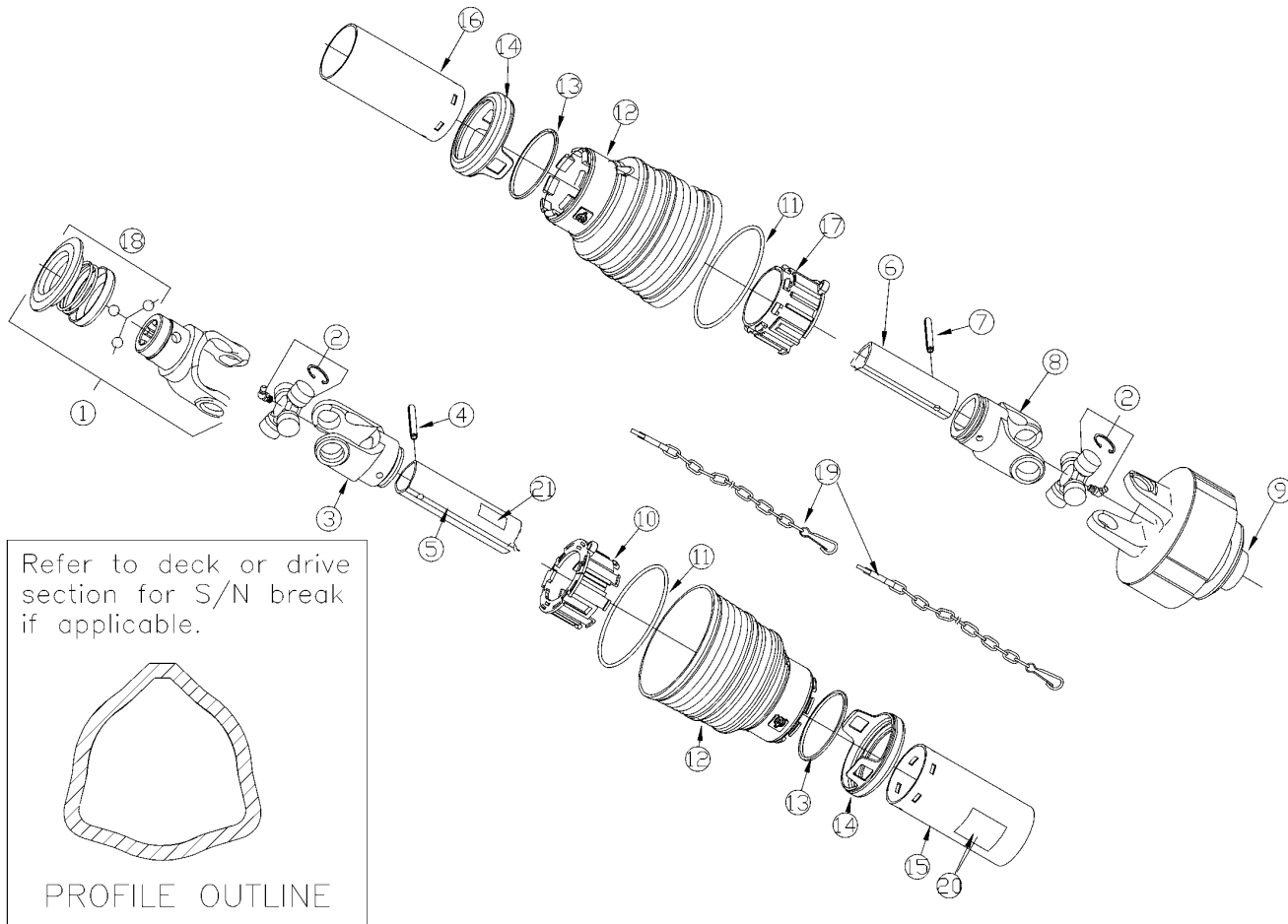
Drive (continued)

Applies to RTA3550, RTA3558, RTA3568, RTA3576

This Page Intentionally Left Blank

Driveline (826-032C) Eurocardan

Applies to RTA3550, RTA3558, RTA3568, RTA3576

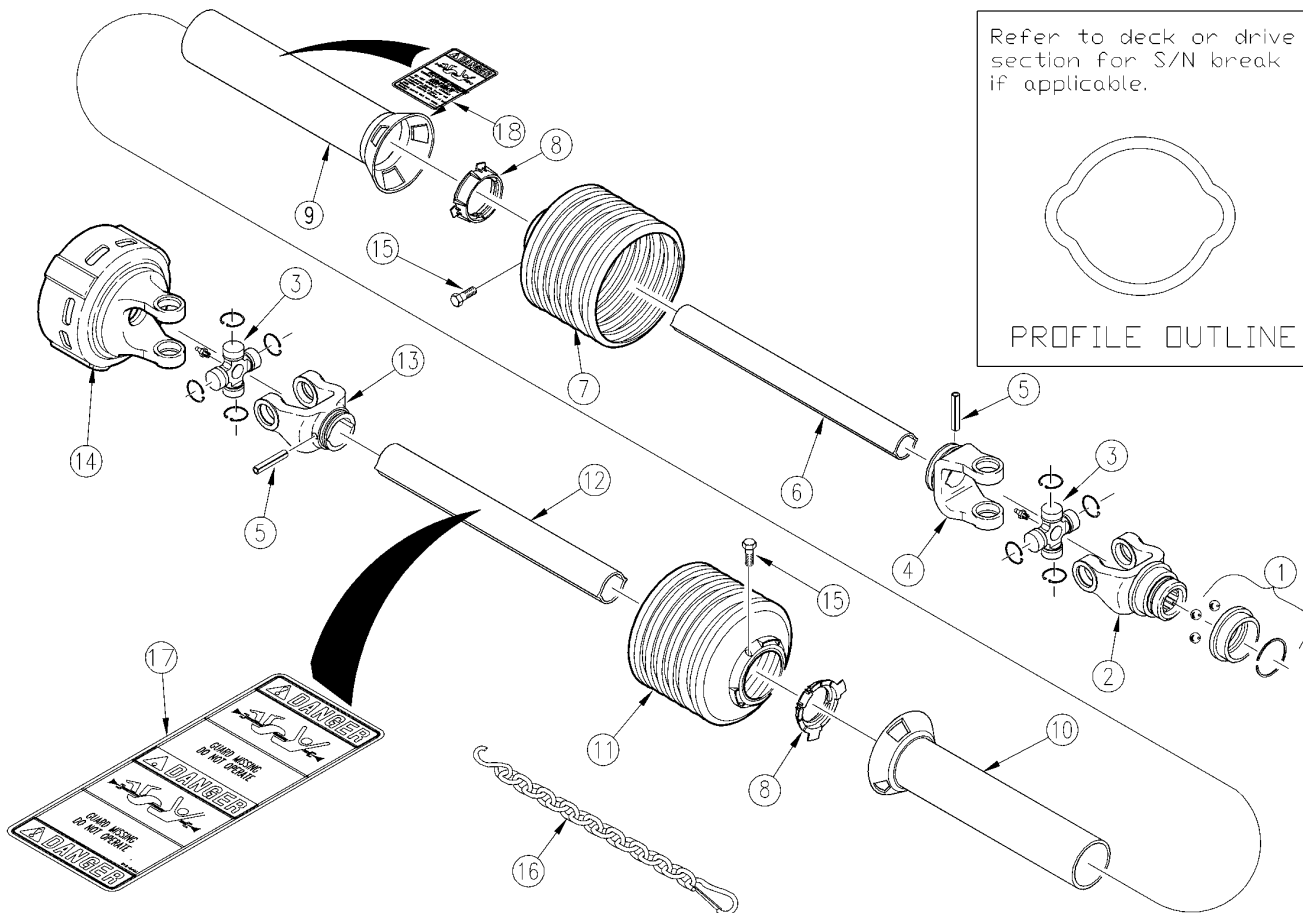


Driveline (826-032C) Eurocardan**Applies to RTA3550, RTA3558, RTA3568, RTA3576**

Ref	Part No.	Part Description	Comments	Revision
	dwg26873 826-032C	Drawing Image Number PTO SLIP CLUTCH RTA35 *		
1.	1016012	YOKE ASSEMBLY PULL TYPE		
2.	1006020	EC CROSS ASSEMBLY		
3.	1706027	EC OUTER TUBE YOKE		
4.	6331080	EC 10X80-DIN-1481 O/TUBE R/PIN		
5.	1528034	EC OUTER TB(1528084)340MM O.S.		
6.	1526034	EC INNER TB(1526084)340MM O.S.		
7.	6331070	EC 10X70 ROLL PIN		
8.	1706029	EC INNER TUBE YOKE		
9.	1466607	EC CLUTCH BD4/6 1600Nm		
10.	1786710	EC TUBE BEARING (OUTER TUBE)		
11.	1215733	EC STIFFENING RING		
12.	1785703	EC STANDARD CONE		
13.	1215735	EC STOP RING		
14.	1885709	EC SAFETY SLEEVE		
15.	1876024	EC OUTER TUBE (1876094) 240MM		
16.	1877024	EC INNER TUBE (1877094) 240MM		
17.	1786711	EC TUBE BEARING (INNER TUBE)		
18.	1004225	EC PULL COLLAR KIT		
19.	044321	DRIVELINE SHIELD SAFETY CHAIN		Rev. 2
19.	1006065	REP BY 044321		Rev 1; Use up stock
20.	818-552C	DECAL DANGER PTO DRIVELINE		Rev. 2
20.	1140001	REP BY 818-552C		Rev 1; Use up stock
21.	818-540C	DECAL DANGER GUARD MISS PTO		Rev. 2
21.	1140003	REP BY 818-540C		Rev 1; Use up stock

Driveline (826-032C) Walterscheid

Applies to RTA3550, RTA3558, RTA3568, RTA3576

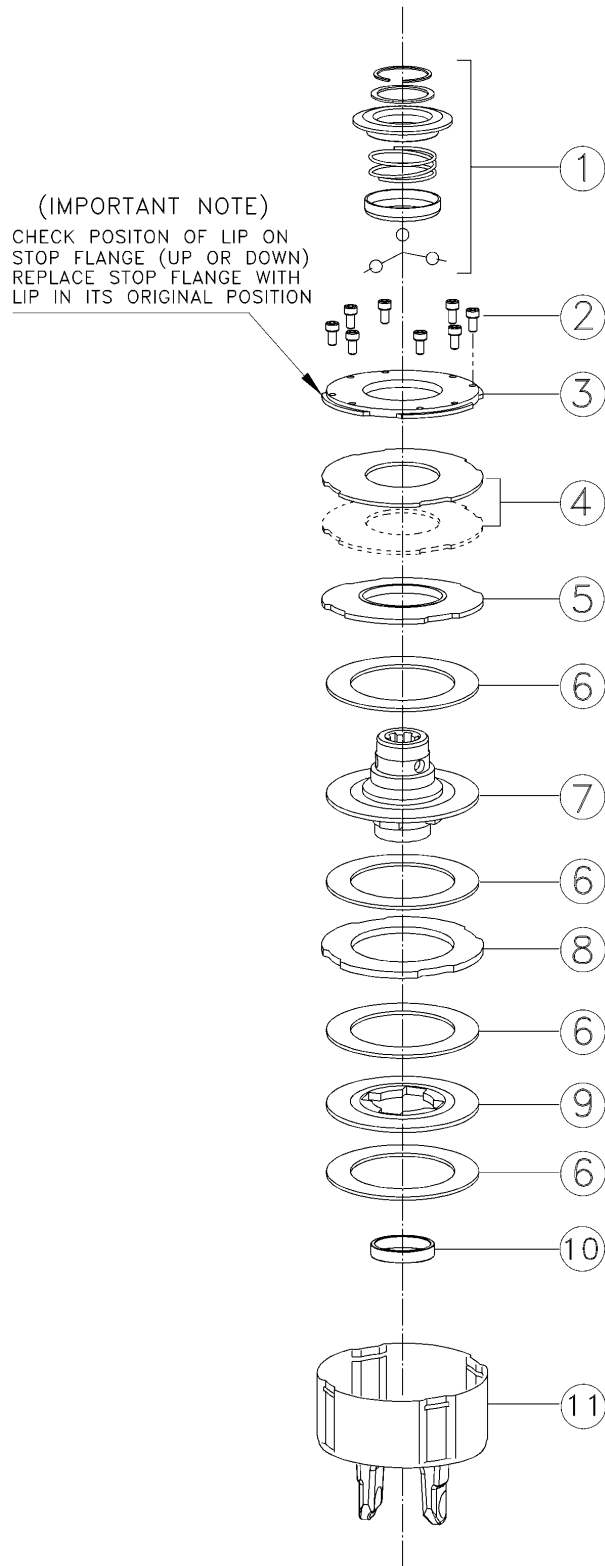


Driveline (826-032C) Walterscheid**Applies to RTA3550, RTA3558, RTA3568, RTA3576**

Ref	Part No.	Part Description	Comments	Revision
	dwg26850	Drawing Image Number		
	826-032C	PTO SLIP CLUTCH RTA35		
1.	390404	WS ASGE COLLAR KIT		Rev. 2
1.	381908	REP BY 390404		Rev 1; Use up stock
2.	380907	WS YOKE 1 3/8-6 SPL AS		
3.	312410	WS CROSS BEARING KIT		
4.	019518	WS INBOARD YOKE		
5.	020617	WS SPRING PIN 10 X 20		
6.	047895	WS INNER PROFILE		
7.	377336	WS SHIELD CONE 6 RIB		
8.	087276	WS BEARING RING - SC25		
9.	387551	WS OUTER SHIELD TUBE OVL		
10.	387552	WS INNER SHIELD TUBE RD		
11.	377436	WS SHIELD CONE - 6 RIB		
12.	047909	WS OUTER PROFILE 2A		
13.	019519	WS INBOARD YOKE		
14.	321166	WS FRICTION CLUTCH	Refer to page 6-5	
15.	365305	WALTERSCHEID SCREW		
16.	044321	WALTERSCHEID SAFETY CHAIN		
17.	818-540C	DECAL DANGER GUARD MISS PTO		Rev. 2
17.	383334	RPBY 818-540C		Rev 1; Use up stock
18.	818-552C	DECAL DANGER PTO DRIVELINE		Rev. 2
18.	383333	RPBY 818-552C		Rev 1; Use up stock

Driveline Slip Clutch (1465603) Eurocardan

Applies to RTA3550, RTA3558



21303

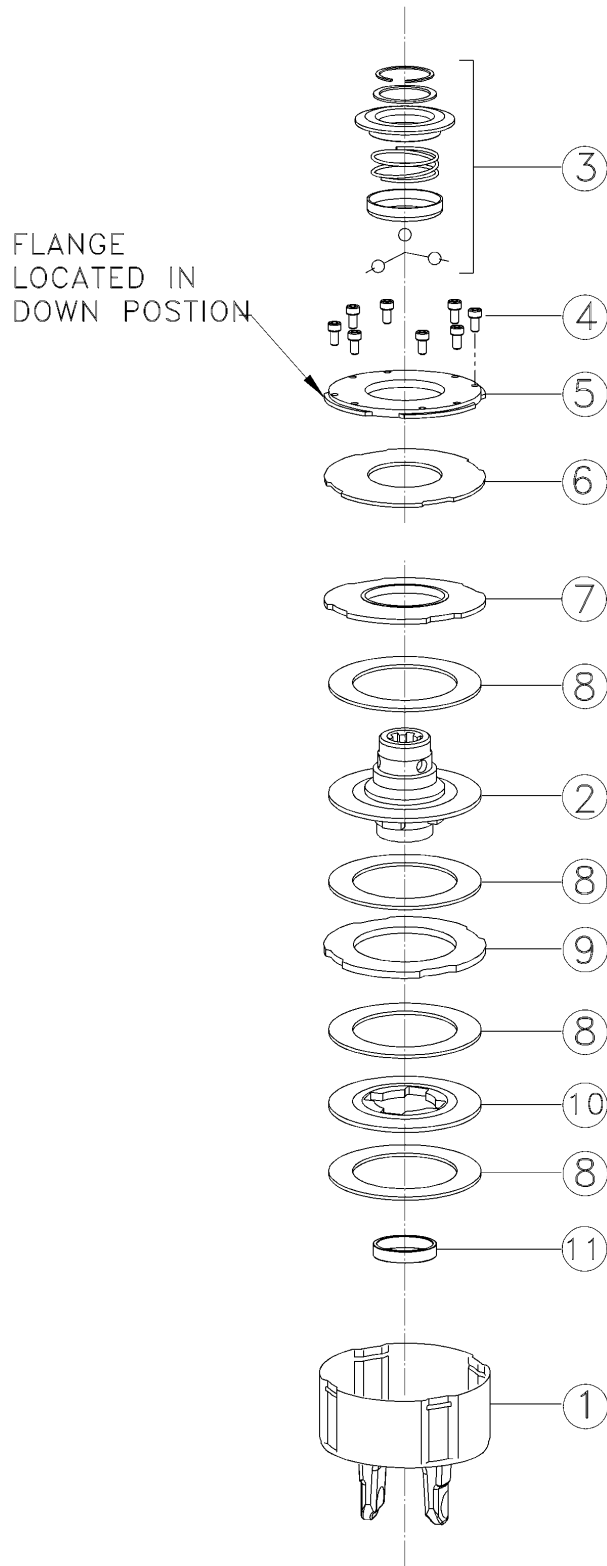
Driveline Slip Clutch (1465603) Eurocardan

Applies to RTA3550, RTA3558

Ref	Part No.	Part Description	Comments	Revision
	dwg21303	Drawing Image Number		
	1465603	EC CLUTCH BD4/5 1000Nm		
1.	1004225	EC PULL COLLAR KIT		
2.	6040816	EC SCREW M8 X 16		
3.	1134012	EC CLOSURE FLANGE		
4.	1216913	EC SPRING KIT (R450Nm)		
5.	1134011	EC PRESSURE FLANGE		
6.	1806010	EC FRICTION DISC		
7.	1706085	EC HUB WITH FLANGE 1.38-6		
8.	1136008	EC INT. FLANGE		
9.	1136010	EC HUB DISC		
10.	1705009	EC CLUTCH BUSHING		
11.	1465001	EC OUTER BODY FOR BD4/5		

Driveline Slip Clutch (1466607) Eurocardan

Applies to RTA3568, RTA3576



23890

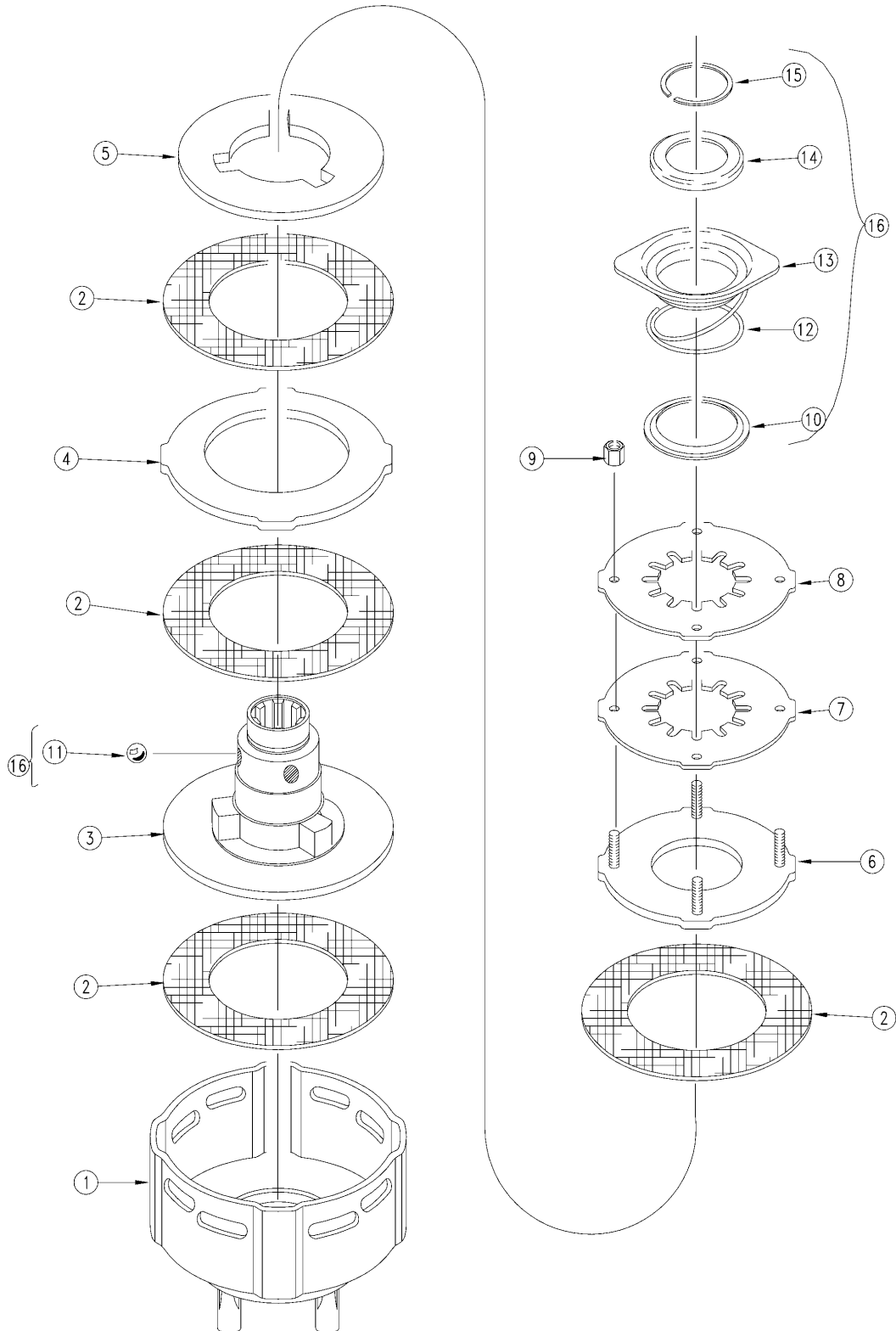
Driveline Slip Clutch (1466607) Eurocardan

Applies to RTA3568, RTA3576

Ref	Part No.	Part Description	Comments	Revision
	dwg23890	Drawing Image Number		
	1466607	EC CLUTCH BD4/6 1600Nm		
1.	1466001	EC OUTER BODY FOR BD4/6		
2.	1706085	EC HUB WITH FLANGE 1.38-6		
3.	1004225	EC PULL COLLAR KIT		
4.	6040816	EC SCREW M8 X 16		
5.	1134012	EC CLOSURE FLANGE		
6.	1216907	EC SPRING KIT (V1600Nm)		
7.	1134011	EC PRESSURE FLANGE		
8.	1806010	EC FRICTION DISC		
9.	1136008	EC INT. FLANGE		
10.	1136010	EC HUB DISC		
11.	1705009	EC CLUTCH BUSHING		

Driveline Slip Clutch (321166) Walterscheid

Applies to RTA3550, RTA3558, RTA3568, RTA3576



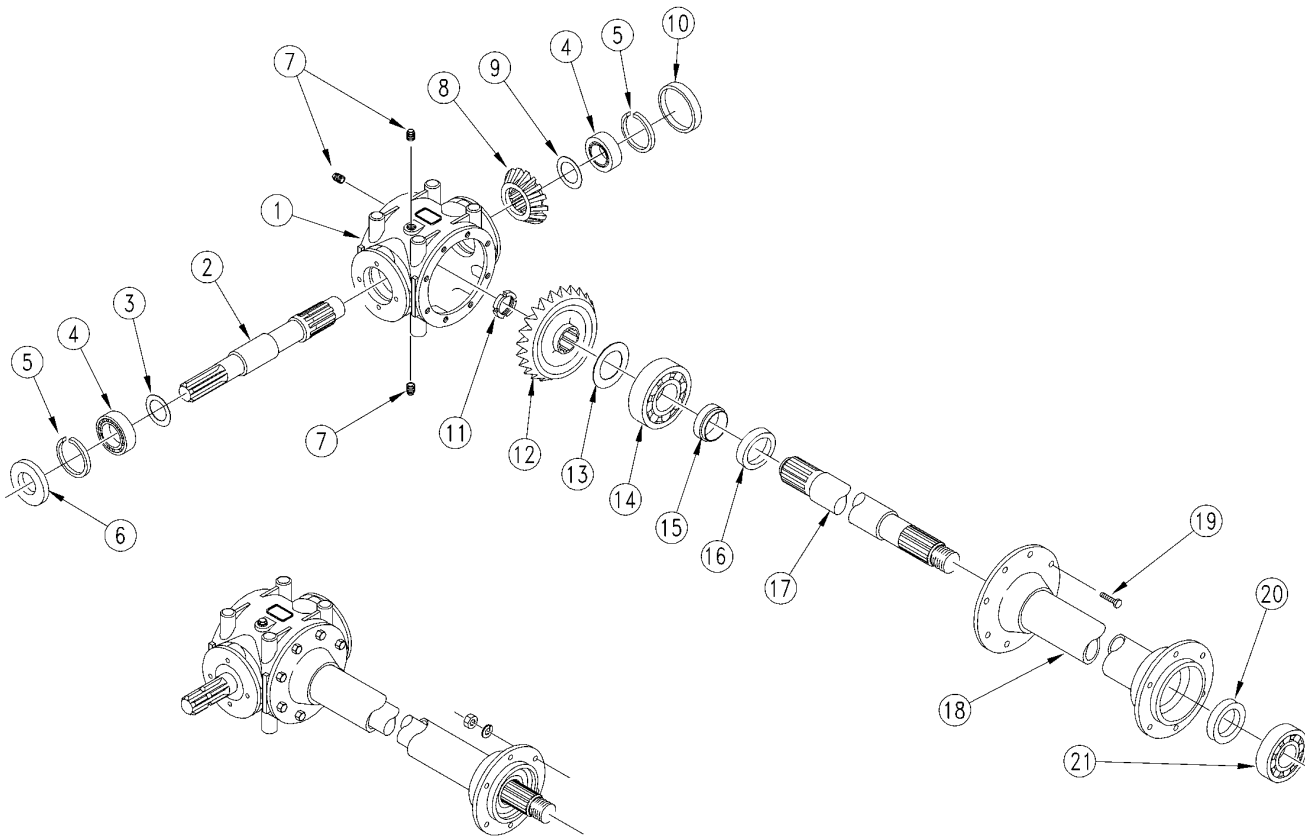
10855

Driveline Slip Clutch (321166) Walterscheid**Applies to RTA3550, RTA3558, RTA3568, RTA3576**

Ref	Part No.	Part Description	Comments	Revision
	dwg10855	Drawing Image Number		
	321166	WS FRICTION CLUTCH		
1.	320527	WS CLUTCH HOUSING		
2.	168556	WS FRICTION DISK		
3.	051554	WS HUB 1 3/8" - 6 SPL.		
4.	042454	WS DRIVE PLATE		
5.	042459	WS DRIVE PLATE		
6.	381495	WALTERSCHEID THRUST PLATE		
7.	043487	WALTERSCHEID BELLEVILLE SPRING		
8.	043489	WS BELLEVILLE SPRING		
9.	381957	WALTERSCHEID HEX NUT M8		
10.	047825	WALTERSCHEID BACK UP RING		
11.	020692	WALTERSCHEID BALL		
12.	045793	WALTERSCHEID COMPRESSION SPRNG		
13.	045790	WALTERSCHEID LOCK COLLAR		
14.	338531	WS FLANGED RING		
15.	304149	WS SNAP RING		
16.	341953	WS Q.D. FLG. KIT	Includes items 10, 12, 13, 14, and 15; three of item 11	

Gearbox (826-048C) (826-049C) (826-050C) (826-051C) Comer

Applies to RTA3550, RTA3558, RTA3568, RTA3576



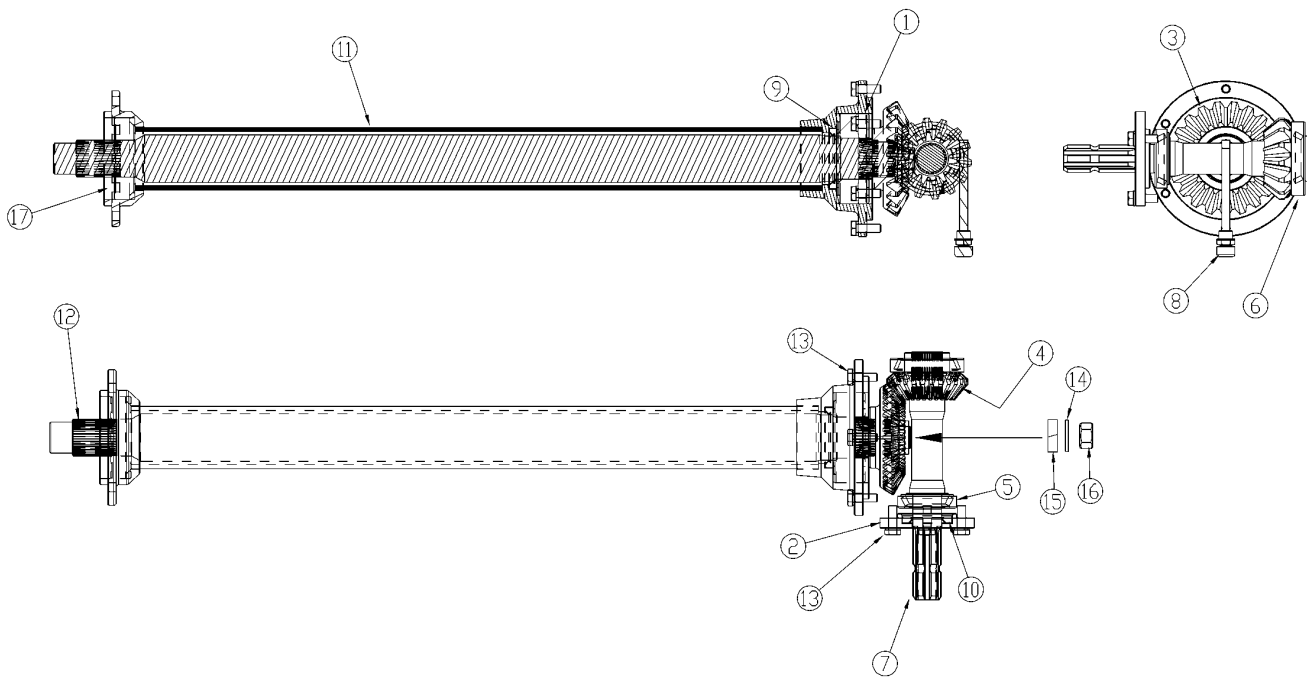
10377

Gearbox (826-048C) (826-049C) (826-050C) (826-051C) Comer**Applies to RTA3550, RTA3558, RTA3568, RTA3576**

Ref	Part No.	Part Description	Comments	Revision
	dwg10377	Drawing Image Number		
	826-048C	GEARBOX 600MM 1.86:1 RTA3550		
	826-049C	GEARBOX 700MM 1.86:1 RTA3558		
	826-050C	GEARBOX 900MM 1.86:1 RTA3568		
	826-051C	GEARBOX 1000MM 1.86:1 RTA3576		
1.	0.292.0300.00	CO HOUSING GEARBOX RTA35		
2.	0.292.2000.00	CO SHAFT INPUT RTA35		
3.	A110.500	COMER SHIM 79.7 RTA35		Rev. 2
3.	0.110.7500.00	RPBY A110.500		Rev 1; Use up stock
4.	8.0.9.00129	CO BEARING 30307 RTA35		
5.	8.5.2.01370	CO SNAP RING INT 80MM RTA35		
6.	8.7.3.00081	CO OIL SEAL 35 X 80 X 10 RTA35		
7.	8.6.5.00006	CO OIL PLUG 3/8		
8.	0.272.6000.00	CO GEAR INPUT 15T RTA35		
9.	A.259.500	CO ADJUSTMENT SPACER, 35.3 X48		Rev. 2
9.	0.259.7500.00	RPBY A.259.500		Rev 1; Use up stock
10.	8.7.0.00790	CO PLUG 80 X 10 RTA35		
11.	8.2.6.00181	CO NUT, LK SPNR HD M40X1 RTA35		
12.	0.272.5000.00	CO GEAR OUTPUT 28T RTA35		
13.	A350.500	CO SHIM 65.3 RTA35		Rev. 2
13.	0.350.7500.00	RPBY A350.500		Rev 1; Use up stock
14.	04-011	ITG BEARING ASSEMBLY		Rev. 2
14.	8.0.9.00469	REP BY 04-011		Rev 1; Use up stock
15.	0.292.7100.00	CO BUSHING RTA35		
16.	8.7.3.00737	CO OIL SEAL 60 X 80 X 8 RTA35		
17.	0.292.3100.00	CO SHAFT OUTPUT 600MM RTA3550		
17.	0.292.3101.00	CO SHAFT OUTPUT 700MM RTA3558		
17.	0.292.3102.00	CO SHAFT OUTPUT 900MM RTA3568		
17.	0.292.3103.00	CO SHAFT OUTPUT 1000MM RTA3576		
18.	2.292.1302.00	CO EXTENSION 600MM RTA3550		
18.	2.292.1303.00	CO EXTENSION 700MM RTA3558		
18.	2.292.1304.00	CO EXTENSION 900MM RTA3568		
18.	2.292.1305.00	CO EXTENSION 1000MM RTA3576		
19.	802-285C	HHCS M10X1.5X25 GR8.8 BLK		
20.	8.7.3.00101	CO OIL SEAL 45 X 60 X 7 RTA35		
21.	822-079C	BEARING 309		

Gearbox (826-430C) MR (S/N 415755 to 524493-) Rotis (S/N 524494+)

Applies to RTA3576



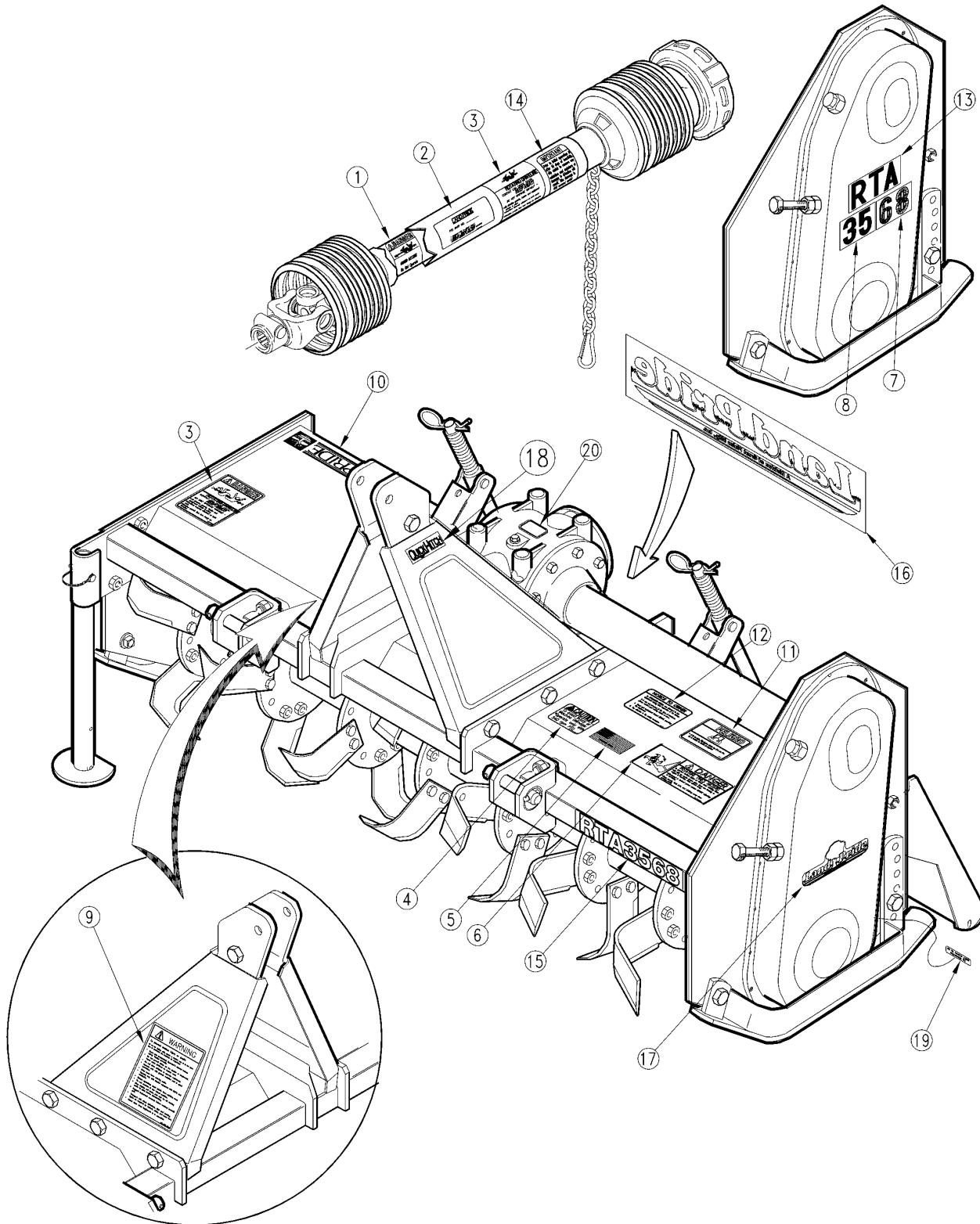
26705

Gearbox (826-430C) MR (S/N 415755 to 524493-) Rotis (S/N 524494+)**Applies to RTA3576**

Ref	Part No.	Part Description	Comments	Revision
	dwg26705	Drawing Image Number		
1.	1.25.34310	ROTIS BALL BRG 4310		
2.	3.01.10009	ROTIS LP HOUSING COVER		
3.	3.01.20001	ROTIS BEVEL GEAR LP 1.50	If customer has MR gearbox order 826-608C	
4.	3.01.20601	ROTIS BEVEL PINION LP 1.50	If customer has MR gearbox order 826-609C	
5.	1.26.330207	TAPERED ROLLER BRG 30207		
6.	1.26.332011	TAPERED ROLLER BRG 32011		
7.	3.01.220501	RTS PINION SHAFT INV 1 3/8 Z6	If customer has MR gearbox order 826-609C	
8.	1.20.2303804	ROTIS 3/8 RELIEF PLUG W/LEVEL		
9.	1.35.5507510	ROTIS SEAL 55X75X10 SL		
10.	1.36.3506210	ROTIS SEAL 35X62X10 DL		
11.	3.01.10921000	ROTIS EXT TUBE ASSY LP 1000		
12.	3.01.22121000	ROTIS SHAFT EXT LP 1000	If customer has MR gearbox order 826-608C	
13.	1.00.001030Z	ROTIS SCREW TE M10X30 8.8 ZN		
14.	1.06.0027Z	ROTIS WASHER M27 28X50X4 ZN		
15.	1.06.0110Z	ROTIS ELASTIC WASHER M10 ZN		
16.	1.06.5727ZM	ROTIS NUT AUTO-LOCK M27X2		
17.	1.25.26309RS2	ROTIS BALL BRG 6309 2RS		
NA.	826-608C	OUTPUT GEAR KIT W/SHAFT	And shims	
NA.	826-609C	INPUT GEAR KIT W/SHAFT	And shims	

Label Placement

Applies to RTA3550, RTA3558, RTA3568, RTA3576



17586

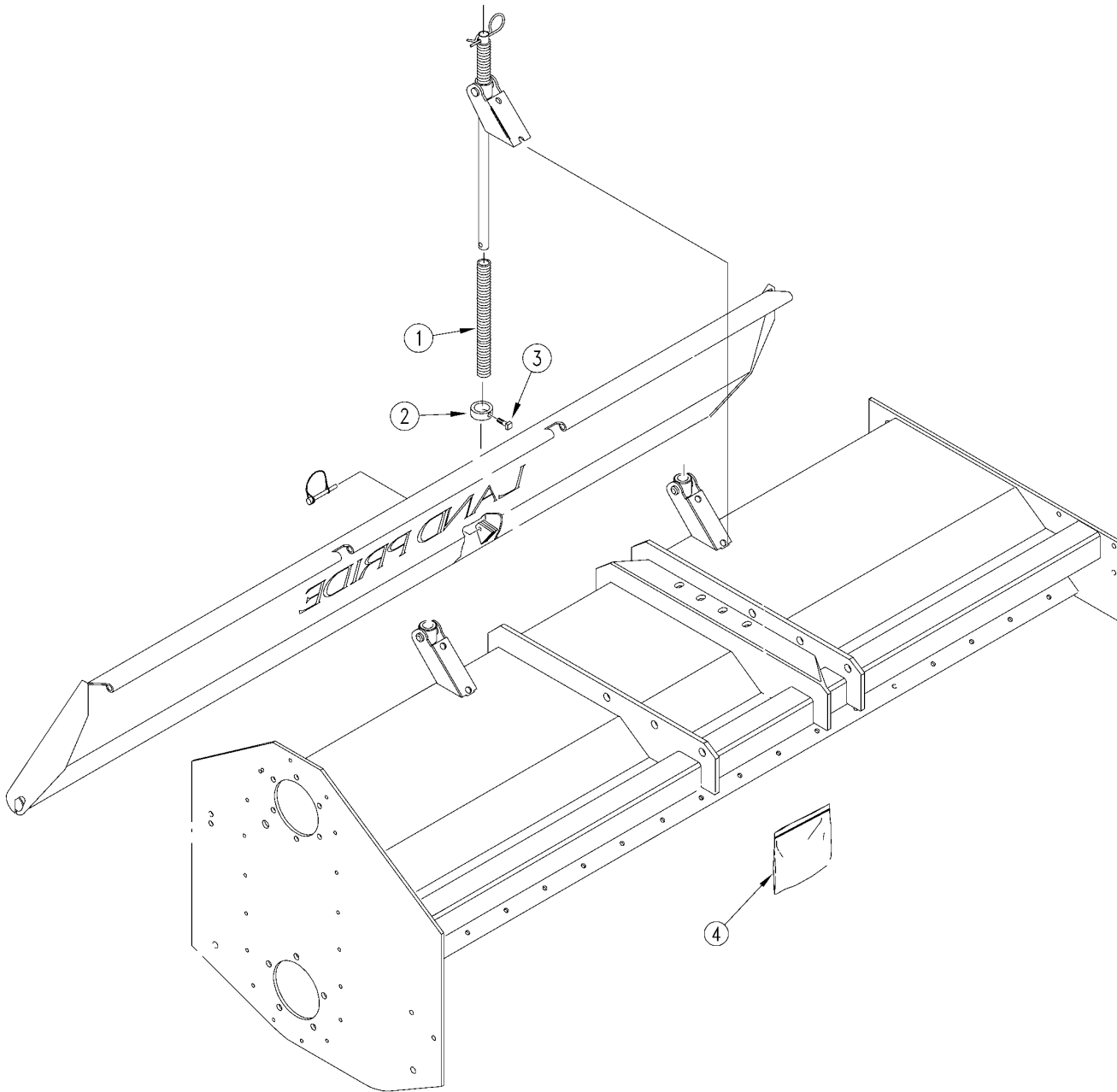
Label Placement

Applies to RTA3550, RTA3558, RTA3568, RTA3576

Ref	Part No.	Part Description	Comments	Revision
	dwg17586	Drawing Image Number		
	311-142A	RTA3550 DECAL PACKAGE	Includes items 1 through 13	
	311-143A	RTA3558 DECAL PACKAGE	Includes items 1 through 13	
	311-144A	RTA3568 DECAL PACKAGE	Includes items 1 through 13	
	311-145A	RTA3576 DECAL PACKAGE	Includes items 1 through 13	
1.	818-540C	DECAL DANGER GUARD MISS PTO		
2.	818-223C	DECAL PTO RTA35 SLIP CLUTCH		
3.	818-552C	DECAL DANGER PTO DRIVELINE		
4.	818-130C	DECAL CAUTION 540 RPM		
5.	818-190C	DECAL FLAG		
6.	818-171C	DECAL DANGER ROTATING TINES		
7.	818-169C	DECAL 50" LP - BLACK	(S/N 255499-)	
7.	818-170C	DECAL 58" LP - BLACK	(S/N 255499-)	
7.	818-215C	DECAL 68" LP-BLACK SHOWN	(S/N 255499-)	
7.	818-217C	DECAL 76" LP-BLACK	(S/N 255499-)	
8.	818-086C	DECAL 35 SERIES LP - BLACK	(S/N 255499-)	
9.	818-858C	DECAL CAUTION GENERAL SAFETY	(S/N 243232+)	Rev. 2 not compat. w/Rev. 1
9.	818-350C	DECAL CAUTION GENERAL SAFETY	(S/N 243231-)	Rev. 1
10.	818-162C	LP LOGO LARGE GREEN	(S/N 255499-)	
11.	818-557C	DECAL DANGER CANNOT READ ENG	(S/N 255499-)	
12.	818-560C	DECAL NOTICE TO OWNER-NO WARRA		
13.	818-744C	DECAL RTA LAND PRIDE BLACK	(S/N 255499-)	
14.	818-680C	DECAL IMPORTANT - SLIP CLUTCH	(S/N 211783+)	
15.	818-957C	DECAL RTA3568-BROWN	(S/N 255500+)	
15.	818-958C	DECAL RTA3576-BROWN	(S/N 255500+) Beige Unit	
15.	848-165C	DECAL RTA3576-GOLD	Orange Unit	
16.	818-907C	DECAL LANDPRIDE 22" - BROWN	(S/N 255500+) Beige Unit	
16.	838-966C	DECAL LANDPRIDE 22" BROWN/GOLD	Orange Unit	
17.	818-896C	DECAL LP W/TREE 6" - 2 COLOR	(S/N 255500+)	
18.	838-517C	DECAL QUICK HITCH SYSTEM		
19.	838-415C	DECAL SHELL ALVANIA EP 00	(S/N 343520+)	
20.	838-862C	DECAL 3 YEAR GEARBOX WARRANTY		

Rear Deflector Down Pressure Kit

Applies to RTA3550, RTA3558, RTA3568, RTA3576



11077

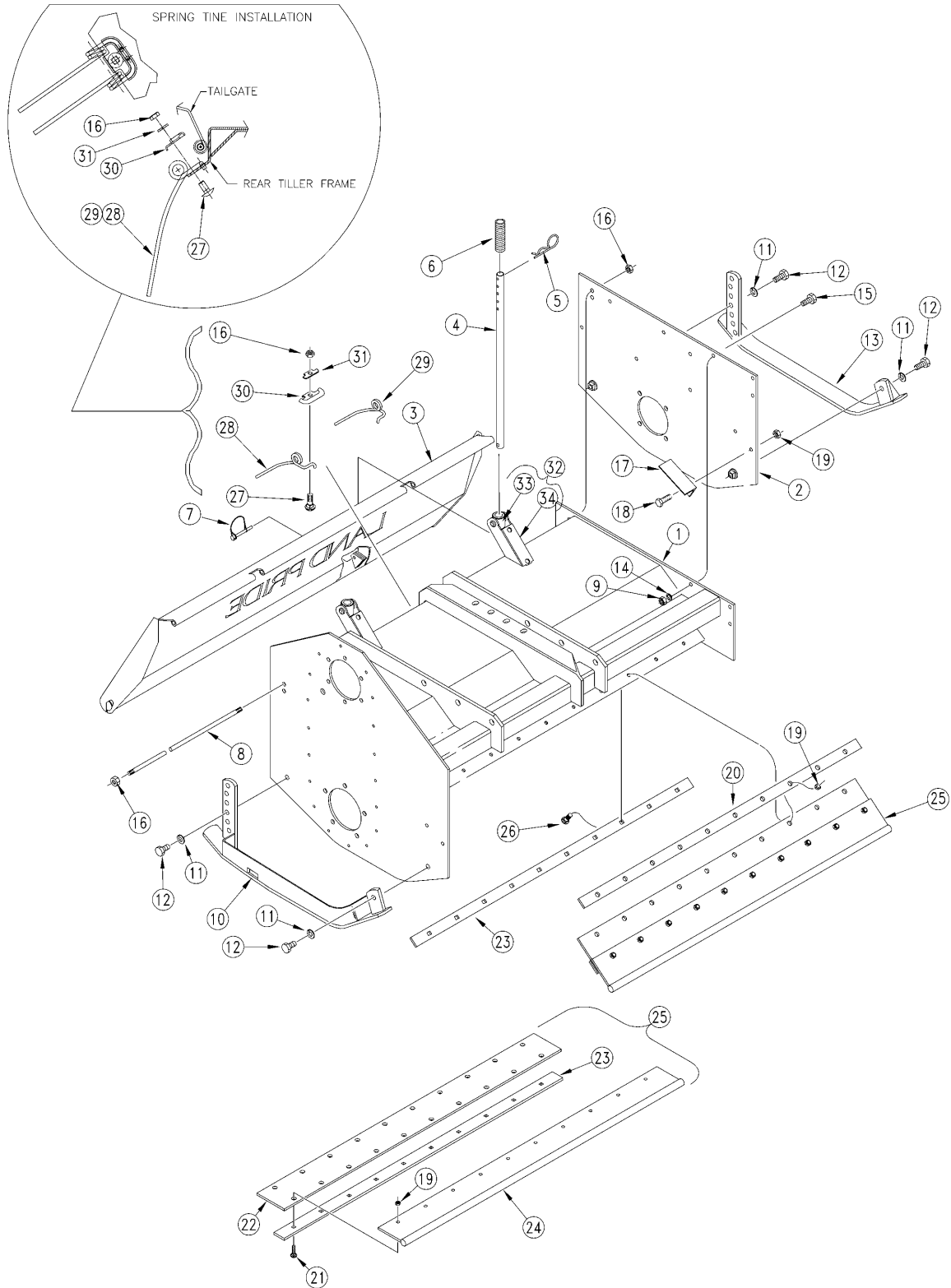
Rear Deflector Down Pressure Kit

Applies to RTA3550, RTA3558, RTA3568, RTA3576

Ref	Part No.	Part Description	Comments	Revision
	dwg11077	Drawing Image Number		
	311-162A	DOWN PRESSURE KIT RTA25/35 *		
1.	807-005C	SPRING DISC ARM		
2.	311-209D	SPRING ROD COLLAR RTA25/35		
3.	802-014C	HHCS 3/8-16X3/4 GR5		
4.	311-134M	TILLER DOWN PRESS. KIT NOTICE		

Frame

Applies to RTR2542, RTR2548



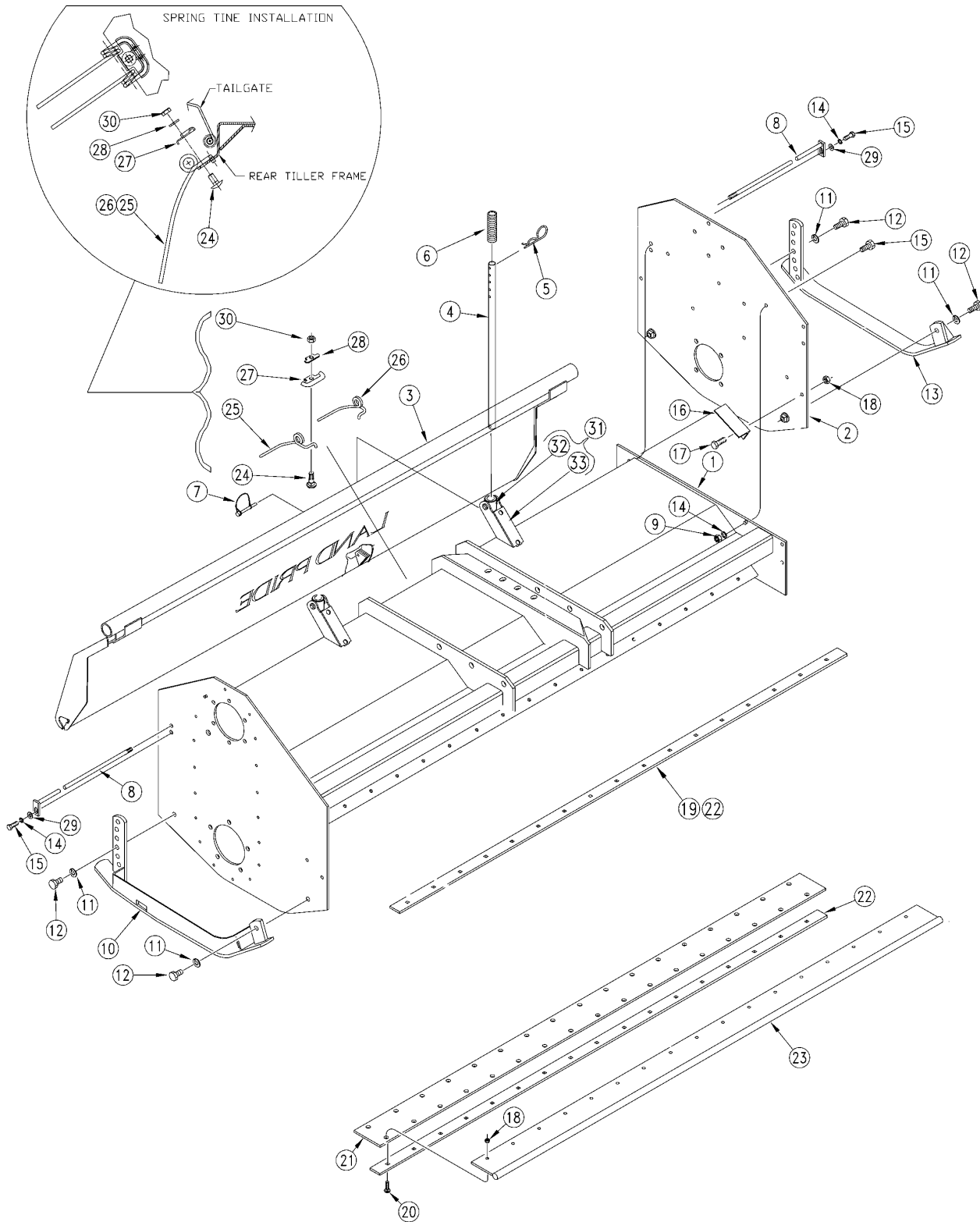
11068

Frame**Applies to RTR2542, RTR2548**

Ref	Part No.	Part Description	Comments	Revision
	dwg11068	Drawing Image Number		
1.	311-211H	FRAME WELDMENT RTR2542		
1.	311-212H	FRAME WELDMENT RTR2548		
2.	311-210H	LH ENDPLATE WLDMENT RTR2542/48		
3.	311-219H	REAR DEFLECTOR RTR2542		
3.	311-220H	REAR DEFLECTOR RTR2548		
4.	311-202D	SPRING ROD RTA25/35/RTR25		
5.	805-143C	PIN HAIR COTTER .120 PLT		Rev. 2
5.	805-032C	PIN HAIR COTTER .148 WIRE		Rev 1; Use up stock
6.	807-007C	SPRING LEVER		
7.	805-065C	PIN WIRE RETAINING 1/4 X 1 3/4		
8.	311-230D	REAR DEFLECTOR ROD RTA2542		
8.	311-133D	REAR DEFLECTOR ROD RTA2548		
9.	803-014C	NUT HEX 3/8-16 PLT		
10.	311-208H	RH SKIDSHOE RTR25		
11.	804-015C	WASHER LOCK SPRING 1/2 PLT		
12.	802-091C	HHCS 1/2-13X1 1/2 GR5		
13.	311-209H	LH SKIDSHOE RTR25		
14.	804-013C	WASHER LOCK SPRING 3/8 PLT		
15.	802-017C	HHCS 3/8-16X1 GR5		
16.	803-013C	NUT LOCK 3/8-16 PLT		
17.	311-249D	FRONT DEFLECTOR GUIDE RTR25		
18.	802-007C	HHCS 5/16-18X3/4 GR5		
19.	803-011C	NUT LOCK 5/16-18 PLT		
20.	311-273D	BOTTOM CLAMP BAR RTR2542	(S/N 262760+)	Rev. 3
20.	311-277D	RPBY 311-273D 42"	(S/N 262760-)	Rev 2; Use up stock
20.	311-278D	RPBY 311-274D 48"	(S/N 262760-)	Rev 1; Use up stock
21.	802-282C	RHSNB 5/16-18X1 GR5		
22.	816-126C	FLEX HINGE RTR2542		
22.	816-127C	FLEX HINGE RTR2548		
23.	311-273D	BOTTOM CLAMP BAR RTR2542	(S/N 330895-)	
23.	311-274D	BOTTOM CLAMP BAR RTR2548	(S/N 330895-)	
24.	311-215H	FRONT DEFL WELDMENT RTR2542		
24.	311-216H	FRONT DEFL WELDMENT RTR2548		
25.	311-224S	FRONT DEFL ASSEMBLY RTR2542		
25.	311-225S	FRONT DEFL ASSEMBLY RTR2548		
26.	802-009C	RHSNB 5/16-18X1 1/4 GR5		
27.	802-149C	RHSNB 3/8-16X3/4 GR5		
28.	807-081C	RH SPRING TINE		
29.	807-082C	LH SPRING TINE		
30.	311-224D	SPRING TINE CLIP		
31.	311-225D	SPRING TINE PLATE		
32.	311-099S	SPRNG ROD TRUNN ASSY RTA25/35		
33.	812-127C	CASTING SPRING ROD RTA25/35		
34.	311-154D	SPRNG ROD UPPER BRCKT RTA25/35		

Frame

Applies to RTR2555, RTR2562, RTR2570



11075

Frame**Applies to RTR2555, RTR2562, RTR2570**

Ref	Part No.	Part Description	Comments	Revision
	dwg11075	Drawing Image Number		
1.	311-390H	RTR2555 FRAME WELD	(S/N 395687+)	Rev. 2
1.	311-204H	FRAME WELDMENT RTR2555	(S/N 395686-)	Rev 1; Use up stock
1.	311-392H	RTR2562 FRAME WELD	(S/N 395687+)	Rev. 2
1.	311-213H	FRAME WELDMENT RTR2562	(S/N 395686-)	Rev 1; Use up stock
1.	311-393H	RTR2570 FRAME WELD	(S/N 395687+)	Rev. 2
1.	311-393H82	RTR2570 FRAME WELD ORANGE		
1.	311-214H	FRAME WELDMENT RTR2570	(S/N 395686-)	Rev 1; Use up stock
2.	311-391H	RTR25 LH BOLTON END PLATE	(S/N 395687+)	Rev. 2
2.	311-391H82	RTR25 LH BOLTON END PLATE ORANGE		
2.	311-260H	LH ENDPLATE WDMT RTR2555/62/70	(S/N 395686-)	Rev 1; Use up stock
3.	311-370H	RTR2555 REAR DEFLECTOR	(S/N 395687+)	Rev. 2
3.	311-206H	REAR DEFLECTOR RTR2555	(S/N 395686-)	Rev 1; Use up stock
3.	311-371H	RTR2562 REAR DEFLECTOR	(S/N 395687+)	Rev. 2
3.	311-221H	REAR DEFLECTOR RTR2562	(S/N 395686-)	Rev 1; Use up stock
3.	311-369H	RTR2570 REAR DEFLECTOR	(S/N 395687+)	Rev. 2
3.	311-369H82	RTR2570 REAR DEFLECTOR ORANGE		
3.	311-222H	REAR DEFLECTOR RTR2570	(S/N 395686-)	Rev 1; Use up stock
4.	311-202D	SPRING ROD RTA25/35/RTR25		
5.	805-143C	PIN HAIR COTTER .120 PLT		Rev. 2
5.	805-032C	PIN HAIR COTTER .148 WIRE		Rev 1; Use up stock
6.	807-007C	SPRING LEVER		
7.	805-065C	PIN WIRE RETAINING 1/4 X 1 3/4		
8.	311-450D	TAILGTE LOCK 20 SERIES	S/N 395687+)	Rev. 2
8.	311-193H	19 1/4 HINGE ROD WELDMNT 25/35	Used on RTR2555	Rev 1; Use up stock
8.	311-450D	TAILGTE LOCK 20 SERIES	S/N 395687+)	Rev. 2
8.	311-196H	27 1/2 HINGE ROD WELDMNT 25/35	Used on RTR2562 & RTR2570	Rev 1; Use up stock
9.	803-014C	NUT HEX 3/8-16 PLT		
10.	311-208H	RH SKIDSHOE RTR25		
10.	311-208H82	RH SKIDSHOE RTR25 ORANGE		
11.	804-015C	WASHER LOCK SPRING 1/2 PLT		
12.	802-091C	HHCS 1/2-13X1 1/2 GR5		
13.	311-209H	LH SKIDSHOE RTR25		
13.	311-209H82	LH SKIDSHOE RTR25 ORANGE		
14.	804-013C	WASHER LOCK SPRING 3/8 PLT		
15.	802-079C	HHCS 3/8-16X1 1/4 GR5		
16.	311-249D	FRONT DEFLECTOR GUIDE RTR25		
16.	311-249D82	FRONT DEFLECTOR GUIDE ORANGE		
17.	802-007C	HHCS 5/16-18X3/4 GR5		
18.	803-011C	NUT LOCK 5/16-18 PLT		
19.	311-238D	RPBY 311-237D	(S/N 262760-) Discontinued Top Strap	Rev. 3
19.	311-279D	RPBY 311-275D	(S/N 262760-) Discontinued Top Strap	Rev. 2
19.	311-280D	RPBY 311-276D	(S/N 262760-) Discontinued Top Strap	Rev. 1
20.	802-282C	RHSNB 5/16-18X1 GR5		
21.	816-125C	FLEX HINGE RTR2555		
21.	816-128C	FLEX HINGE RTR2562		
21.	816-129C	FLEX HINGE RTR2570		
22.	311-237D	BOTTOM CLAMP BAR RTR2555	(S/N 330895-)	
22.	311-275D	BOTTOM CLAMP BAR RTR2562	(S/N 330895-)	
22.	311-276D	BOTTOM CLAMP BAR RTR2570		
22.	311-276D82	BOTTOM CLAMP BAR ORANGE		
23.	311-205H	FRONT DEFL WELDMENT RTR2555		
23.	311-217H	FRONT DEFL WELDMENT RTR2562		
23.	311-218H	FRONT DEFL WELDMENT RTR2570		
23.	311-218H82	FRON DEFL RTR2570 ORANGE		
24.	802-149C	RHSNB 3/8-16X3/4 GR5		
25.	807-081C	RH SPRING TINE		
26.	807-082C	LH SPRING TINE		

Frame (continued)

Applies to RTR2555, RTR2562, RTR2570

Ref	Part No.	Part Description	Comments	Revision
27.	311-224D	SPRING TINE CLIP		
28.	311-225D	SPRING TINE PLATE		
29.	804-012C	WASHER FLAT 3/8 SAE PLT		
30.	803-013C	NUT LOCK 3/8-16 PLT		
31.	311-099S	SPRNG ROD TRUNN ASSY RTA25/35		
32.	812-127C	CASTING SPRING ROD RTA25/35		
33.	311-154D	SPRNG ROD UPPER BRCKT RTA25/35		

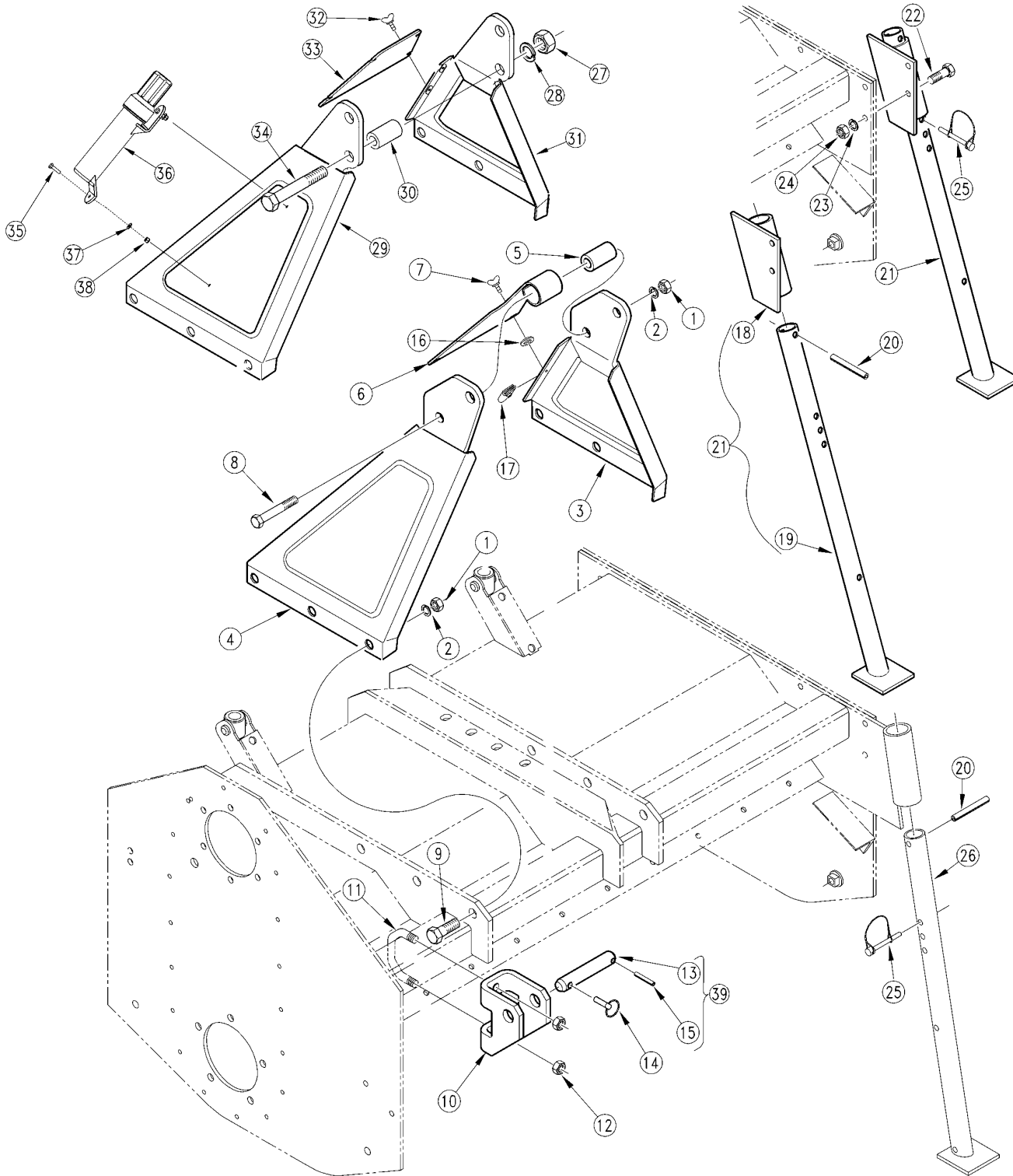
Frame (continued)

Applies to RTR2555, RTR2562, RTR2570

This Page Intentionally Left Blank

Hitch And Parking Stand Assembly

Applies to RTR2542, RTR2548, RTR2555, RTR2562, RTR2570



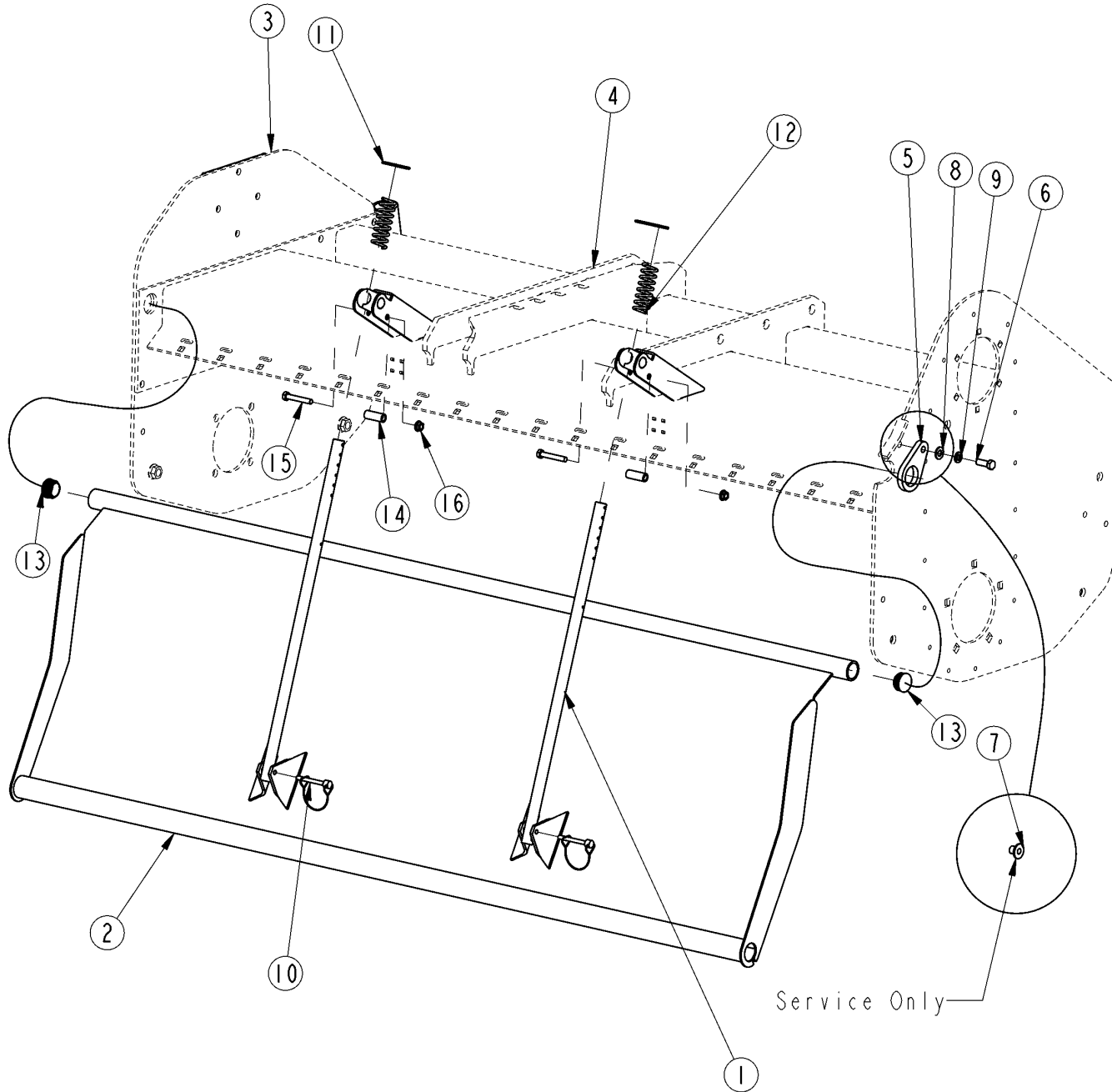
11073

Hitch And Parking Stand Assembly**Applies to RTR2542, RTR2548, RTR2555, RTR2562, RTR2570**

Ref	Part No.	Part Description	Comments	Revision
	dwg11073	Drawing Image Number		
1.	803-021C	NUT HEX 5/8-11 PLT	(S/N 278043-)	
2.	804-022C	WASHER LOCK SPRING 5/8 PLT	(S/N 278043-)	
3.	311-103E	LH TOP HITCH WELDMT RTA/RTR25	(S/N 278043-)	
4.	311-102E	RH TOP HITCH WELDMT RTA/RTR25	(S/N 278043-)	
5.	311-093D	TOP SPACER HEAVY HITCH RTA15	(S/N 278043-)	
6.	311-189D	PTO GUARD RTA25	(S/N 278043-)	
7.	800-096C	STUD 1/4 TURN WING HD #85-360	(S/N 278043-)	
8.	802-162C	HHCS 5/8-11X3 1/2 GR5		
9.	802-051C	HHCS 5/8-11X1 1/2 GR5		
10.	311-106H	LOWER HITCH WLDMNT RTA35/RTR25		
10.	311-106H82	LOWER HITCH RTA35/RTR25 ORANGE		
11.	806-054C	U-BOLT 5/8-11 X 3 5/16 X 2 5/8		
12.	803-148C	NUT HEX NYLOCK 5/8-11 PLT		
13.	805-198C	PIN LOWER HITCH 7/8X3 1/16USBL		Rev. 2
13.	310-074D	RPBY 805-198C		Rev 1; Use up stock
14.	805-015C	PIN LYNCH 5/16 X 1 3/4		
15.	805-041C	PIN ROLL 1/4X1 3/4		
16.	800-098C	RETAINER SPLIT RING #85	(S/N 278043-)	
17.	800-097C	RECPTCLE 1/4 TURN CLIP ON #85	(S/N 278043-)	
18.	311-194H	STAND MOUNT WELDMENT RTR25	(S/N 262759-)	
19.	311-195H	PARKING STAND WELDMENT RTR25	(S/N 262759-)	
20.	805-161C	PIN ROLL 3/8 X 1 3/4 LG PLT		
21.	311-223S	PARKING STAND ASSEMBLY RTR25	(S/N 262759-)	
22.	802-079C	HHCS 3/8-16X1 1/4 GR5	(S/N 262759-)	
23.	804-013C	WASHER LOCK SPRING 3/8 PLT	(S/N 262759-)	
24.	803-014C	NUT HEX 3/8-16 PLT	(S/N 262759-)	
25.	805-155C	PIN WIRE RETAIN 5/16 X 2 1/2		
26.	311-264H	PARKING STAND RTR25	(S/N 262760+)	
26.	311-264H82	PARKING STAND RTR25 ORANGE		
27.	803-027C	NUT HEX 3/4-10 PLT	(S/N 278044+)	
28.	804-023C	WASHER LOCK SPRING 3/4 PLT	(S/N 278044+)	
29.	311-268E	RH TOP HITCH RTA/RTR25	(S/N 278044+)	
29.	311-268E82	RH TOP HTCH RTA/RTR25 ORANGE		
30.	308-400D	SPACER 1 1/4OD X 25/32ID X 2LG	(S/N 278044+)	
31.	311-267E	LH TOP HITCH RTA/RTR25	(S/N 278044+)	
31.	311-267E82	LH TOP HITCH RTA/RTR25 ORANGE		
32.	801-042C	SCREW THUMB 5/16-18 X 5/8 PLT	(S/N 278044+)	
33.	311-348D	RTA/RTR25 3PT GB SHAFT GUARD	(S/N 278044+)	
33.	311-348D82	RTA/RTR25 3PT GB SFT GRD ORANGE		
34.	802-068C	HHCS 3/4-10X4 GR5	(S/N 306787+)	Rev. 2
34.	802-067C	HHCS 3/4-10X4 GR5 FTHD	(S/N 278044 <-> 306786)	Rev 1; Use up stock
35.	802-005C	HHCS 1/4-20X1 GR5	(S/N 548517+)	
36.	816-504C	MANUAL STORAGE CONTAINER	(S/N 548517+)	
37.	804-007C	WASHER FLAT 1/4 SAE PLT	(S/N 548517+)	
38.	803-255C	NUT HEX NYLOCK 1/4-20	(S/N 548517+)	
39.	310-020S	LOWER HITCH PIN		

Rear Deflector (RTR2562 Shown)(S/N 395687+)

Applies to RTR2542, RTR2548, RTR2555, RTR2562, RTR2570



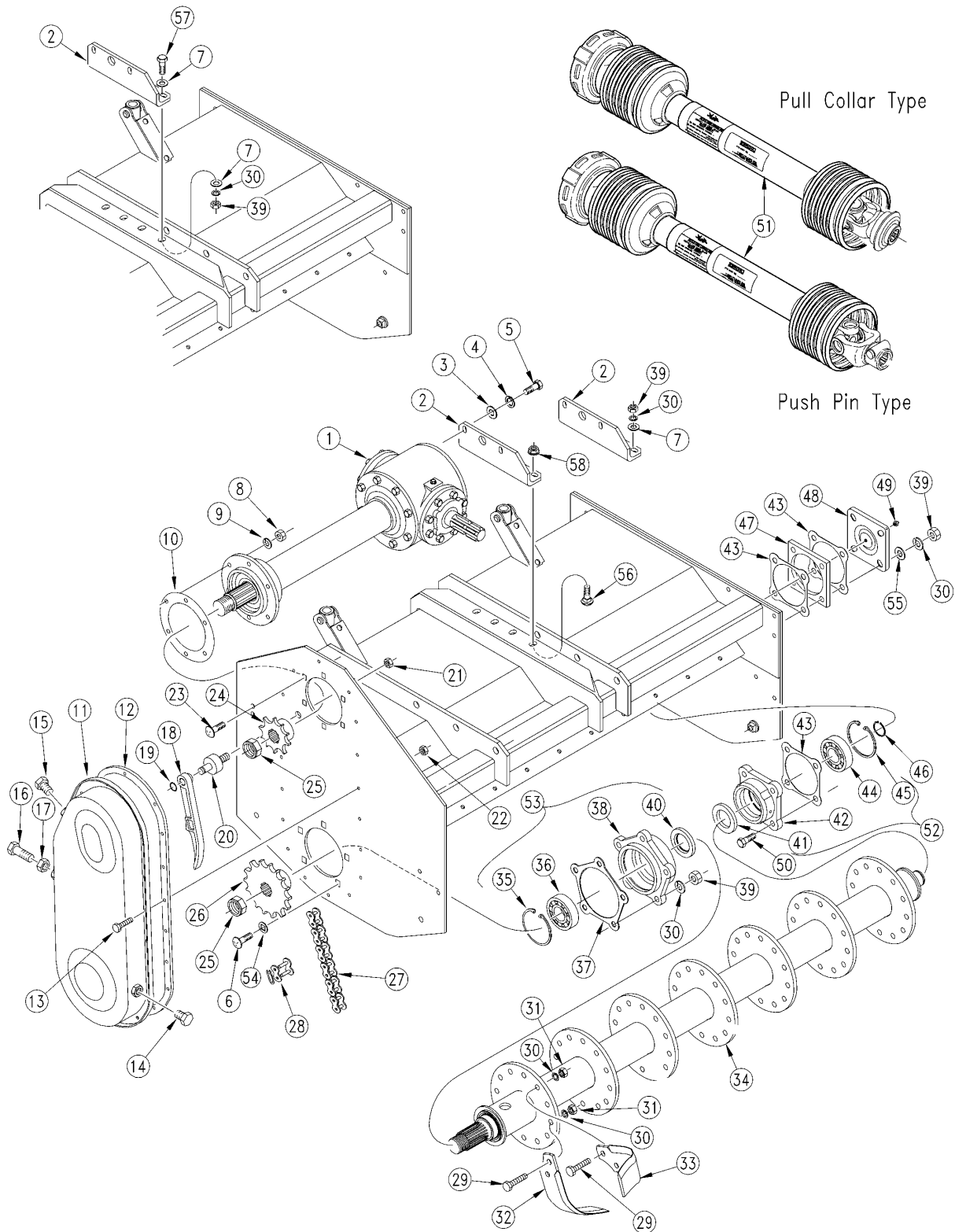
22222

Rear Deflector (RTR2562 Shown)(S/N 395687+)**Applies to RTR2542, RTR2548, RTR2555, RTR2562, RTR2570**

Ref	Part No.	Part Description	Comments	Revision
	dwg22222	Drawing Image Number		
1.	311-202D	SPRING ROD RTA20/25/35RTR20/25		
2.	311-370H	RTR2555 REAR DEFLECTOR		
2.	311-371H	RTR2562 REAR DEFLECTOR		
2.	311-369H	RTR2570 REAR DEFLECTOR		
3.	311-391H	RTR25 LH BOLTON END PLATE		
4.	311-390H	RTR2555 FRAME WELD		
4.	311-392H	RTR2562 FRAME WELD		
4.	311-393H	RTR2570 FRAME WELD		
5.	311-450D	TAILGTE LOCK 20 SERIES		
6.	802-017C	HHCS 3/8-16X1 GR5		
7.	803-105C	NUT WELD 3/8-16 W/1/2 SHANK	Weld in as needed	
8.	804-012C	WASHER FLAT 3/8 SAE PLT		
9.	804-013C	WASHER LOCK SPRING 3/8 PLT		
10.	805-065C	PIN WIRE RETAINING 1/4 X 1 3/4		
11.	805-143C	PIN HAIR COTTER .120 PLT		
12.	807-007C	SPRING LEVER		
13.	817-469C	PLUG PLASTIC (1"SCHED. 40 PIPE		
14.	311-731D	TRUNION SPACER	S/N _____ +	
15.	802-115C	HHCS 5/16-18X2 GR5	S/N _____ +	
16.	803-199C	NUT HEX FLANGE 5/16-18 PLT	S/N _____ +	

Drive

Applies to RTR2542, RTR2548



11067

Drive**Applies to RTR2542, RTR2548**

Ref	Part No.	Part Description	Comments	Revision
	dwg11067	Drawing Image Number		
1.	311-261S	GEARBOX ASSY 400MM RTR2542		
1.	311-262S	GEARBOX ASSY 600MM RTR2548		
2.	311-251D	GEARBOX MOUNT BRACKET RTR25		
3.	804-021C	WASHER FLAT 5/8 SAE PLT		
4.	804-022C	WASHER LOCK SPRING 5/8 PLT		
5.	802-050C	HHCS 5/8-11X1 1/4 GR5		
6.	802-477C	RHSSNB 1/2-13 X 1 1/2 GR5	(S/N 148242+)	Rev. 2 not compat. w/Rev. 1
6.	802-091C	HHCS 1/2-13X1 1/2 GR5	(S/N 148241-)	Rev. 1
7.	804-016C	WASHER FLAT 1/2 SAE PLT	(S/N -)	
8.	803-014C	NUT HEX 3/8-16 PLT		
9.	804-013C	WASHER LOCK SPRING 3/8 PLT		
10.	816-095C	GEARBOX GASKET RTA25/35		
11.	311-098H	CHAIN GUARD WELDMENT RTA25/35		
12.	816-092C	GASKET CHAIN GRD RTA25/35		
13.	802-719C	HFSS 1/4-20X7/8 GR5	(S/N 372753+)	Rev. 2
13.	802-257C	HFSS 1/4-20X3/4 GR5		Rev. 1
14.	800-066C	DRAIN PLUG 3/4-16 UNF PLATED		
15.	800-094C	FILL PLUG VENTED 3/4-16 PLT		
16.	802-286C	HHCS 5/8-11X4 GR5 FTGD		
17.	803-023C	NUT HEX JAM 5/8-11 PLT		
18.	311-203D	CHAIN IDLER ARM RTA25/35		
19.	800-074C	SNAP RING EXT .591		
20.	311-200D	CHAIN TIGHTNER PIVOT RTA25/35		
21.	803-089C	NUT HEX FLANGE 5/8-18 PLT		
22.	803-007C	NUT LOCK 1/4-20 PLT		
23.	802-155C	RHSNB 3/8-16X1 1/4 GR5	(S/N 148242+)	Rev. 2 not compat. w/Rev. 1
23.	802-079C	HHCS 3/8-16X1 1/4 GR5	(S/N 148241-)	Rev. 1
24.	808-102C	SPKT 11T #100 12/24X20T SPLINE		
25.	803-111C	NUT LT JAM 1 1/2-12 NYLN INSRT		
26.	808-104C	SPKT 14T #100 12/24X20T SPLINE		
27.	809-126C	CHAIN RL #100X39P HIGH TENSILE		
28.	809-097C	#100 CONNECTOR LINK		
29.	802-248C	SP TINE HHCS 1/2-20X1 1/4 GR5		
30.	804-015C	WASHER LOCK SPRING 1/2 PLT	(S/N -)	
31.	803-018C	NUT HEX 1/2-20 PLT		
32.	820-058C	BLADE TILLER 25 SERIES RH	42" = 15; 48" = 18	
33.	820-057C	BLADE TILLER 25 SERIES LH	42" = 15; 48" = 18	
34.	311-079H	ROTOR WELDMENT RTA/RTR2548		
34.	311-198H	ROTOR WELDMENT RTA/RTR2542		
35.	800-017C	SNAP RING INTERNAL 3.938		
36.	822-079C	BEARING 309		
37.	816-094C	GASKET RTA25/35		
38.	311-197D	LH LOWER BRG MOUNT RTA25		
39.	803-020C	NUT HEX 1/2-13 PLT	(S/N -)	
40.	816-091C	SEAL 2.25 X 3.5 X .438		
41.	816-084C	SEAL 2 X 3.1875 X 0.469		
42.	311-196D	RH BEARING MOUNT RTA25		
43.	816-071C	15 TILLER LH BOTTOM BRG GASKET		
44.	822-084C	BEARING 308		
45.	800-078C	SNAP RING INT 90 MM		
46.	800-089C	SNAP RING EXT 1-9/16		
47.	311-194D	RH BEARING SPACER PLATE RTA25		
48.	311-135S	RH BRG COVER W/ZRK RTA10/15/25		
49.	800-080C	GREASE ZERK 1/4-28 THD FORMING	(S/N 242272+)	Rev. 2 not compat. w/Rev. 1
49.	800-095C	ZERK GREASE 1/4 DRIVE #1952	(S/N 242271-)	Rev. 1
50.	802-128C	HHCS 1/2-13X2		
51.	311-132A	PTO SLIP RTA25	Eurocardan	

Drive (continued)

Applies to RTR2542, RTR2548

Ref	Part No.	Part Description	Comments	Revision
51.	826-025C	PTO SLIP CLUTCH 72 OVERSEEDER	Walterscheid	
51.	826-025C	PTO SLIP CLUTCH RTA/RTR/OS1572	Eurocardan	
52.	311-109S	BEARING ASSY-RH RTA25/LH RTR25	Includes 41, 42 44, and 45	
53.	311-110S	BEARING ASSY-LH RTA25/RH RTR25	Includes 35, 36, 38, and 40	
54.	816-280C	GASKET 1.03OD.515SQ.HL1/32THK		
55.	804-094C	WASHER FLAT 1/2 HARD ASTM F436		
56.	802-106C	RHSNB 1/2-13X1 1/2 GR5	(S/N +)	Rev. 3
56.	802-477C	RHSSNB 1/2-13 X 1 1/2 GR5	(S/N 326877+)	Rev. 2 not compat. w/Rev. 1
56.	802-091C	HHCS 1/2-13X1 1/2 GR5	(S/N 326876-)	Rev. 1
57.	802-091C	HHCS 1/2-13X1 1/2 GR5		
58.	803-037C	NUT HEX WHIZ 1/2-13 PLT	(S/N 326877+)	

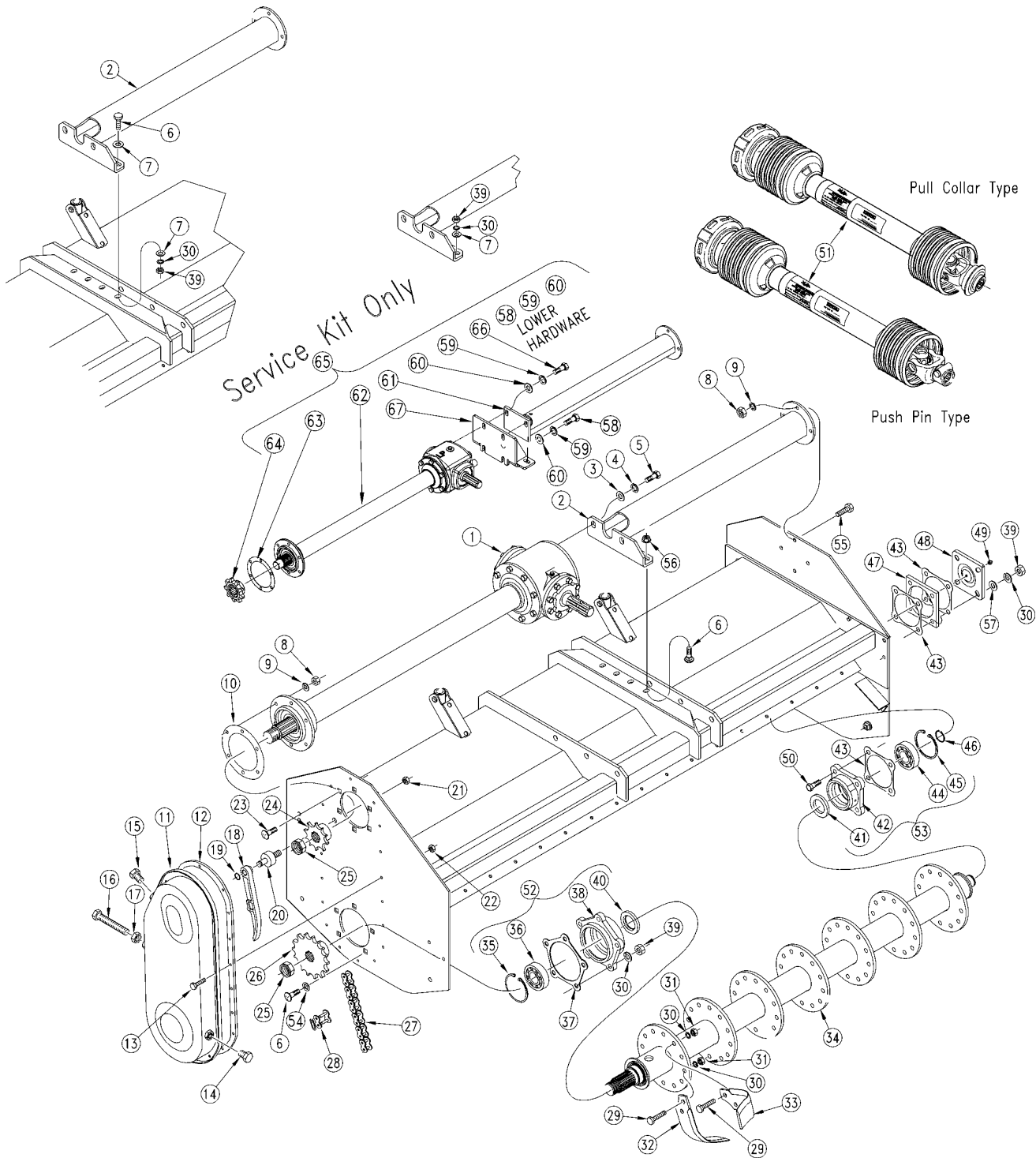
Drive (continued)

Applies to RTR2542, RTR2548

This Page Intentionally Left Blank

Drive

Applies to RTR2555, RTR2562



Drive**Applies to RTR2555, RTR2562**

Ref	Part No.	Part Description	Comments	Revision
	dwg11076	Drawing Image Number		
1.	826-426C	GBOX 700MM 1.5:1 RTA/RTR2555	(S/N 444064+)	Rev. 2
1.	311-263S	GEARBOX ASSY 700MM RTR2555	(S/N 444063-)	Rev. 1
1.	826-427C	RPBY 311-629A RTR2562	(S/N 440590+)	Rev. 2
1.	311-264S	GEARBOX ASSY 800MM RTR2562	(S/N 440589-)	Rev. 1
2.	311-257H	TOP BRACE WELDMENT RTR2555		
2.	311-258H	TOP BRACE WELDMENT RTR2562		
3.	804-021C	WASHER FLAT 5/8 SAE PLT		
4.	804-022C	WASHER LOCK SPRING 5/8 PLT		
5.	802-050C	HHCS 5/8-11X1 1/4 GR5		
6.	802-477C	RHSSNB 1/2-13 X 1 1/2 GR5	(S/N 148242+)	Rev. 2 not compat. w/Rev. 1
6.	802-091C	HHCS 1/2-13X1 1/2 GR5	(S/N 148241-)	Rev. 1
7.	804-016C	WASHER FLAT 1/2 SAE PLT		
8.	803-014C	NUT HEX 3/8-16 PLT		
9.	804-013C	WASHER LOCK SPRING 3/8 PLT		
10.	816-095C	GEARBOX GASKET RTA25/35		
11.	311-098H	CHAIN GUARD WELDMENT RTA25/35		
12.	816-092C	GASKET CHAIN GRD RTA25/35		
13.	802-719C	HFSS 1/4-20X7/8 GR5		Rev. 2
13.	802-257C	HFSS 1/4-20X3/4 GR5		Rev. 1
14.	800-066C	DRAIN PLUG 3/4-16 UNF PLATED		
15.	800-094C	FILL PLUG VENTED 3/4-16 PLT		
16.	802-286C	HHCS 5/8-11X4 GR5 FTHTD		
17.	803-023C	NUT HEX JAM 5/8-11 PLT		
18.	311-203D	CHAIN IDLER ARM RTA25/35		
19.	800-074C	SNAP RING EXT .591		
20.	311-200D	CHAIN TIGHTNER PIVOT RTA25/35		
21.	803-089C	NUT HEX FLANGE 5/8-18 PLT		
22.	803-007C	NUT LOCK 1/4-20 PLT		
23.	802-155C	RHSNB 3/8-16X1 1/4 GR5	(S/N 148242+)	Rev. 2 not compat. w/Rev. 1
23.	802-079C	HHCS 3/8-16X1 1/4 GR5	(S/N 148241-)	Rev. 1
24.	808-350C	SPKT 9T #100 12/24X20T SPLINE	RTR2555 (S/N 444064 +) RTR2562 (S/N 440590+)	Rev. 2
24.	808-102C	SPKT 11T #100 12/24X20T SPLINE	RTR2555 (S/N 444063-) RTR2562 (S/N 440589-)	Rev. 1
25.	803-111C	NUT LT JAM 1 1/2-12 NYLN INSRT		
26.	808-104C	SPKT 14T #100 12/24X20T SPLINE		
27.	809-111C	CHAIN RL#100X38P HIGH TENSILE	RTR2555 (S/N 444064 +) RTR2562 (S/N 440590+)	Rev. 2
27.	809-126C	CHAIN RL #100X39P HIGH TENSILE		Rev. 1
28.	809-097C	#100 CONNECTOR LINK		
29.	802-248C	SP TINE HHCS 1/2-20X1 1/4 GR5		
30.	804-015C	WASHER LOCK SPRING 1/2 PLT		
31.	803-018C	NUT HEX 1/2-20 PLT		
32.	820-058C	BLADE TILLER 25 SERIES RH	55" = 21; 62" = 24	
33.	820-057C	BLADE TILLER 25 SERIES LH	55" = 21; 62" = 24	
34.	311-080H	ROTOR WELDMENT RTA/RTR2555		
34.	311-081H	ROTOR WELDMENT RTA/RTR2562		
35.	800-017C	SNAP RING INTERNAL 3.938		
36.	822-079C	BEARING 309		
37.	816-094C	GASKET RTA25/35		
38.	311-197D	LH LOWER BRG MOUNT RTA25		
39.	803-020C	NUT HEX 1/2-13 PLT		
40.	816-091C	SEAL 2.25 X 3.5 X .438		
41.	816-084C	SEAL 2 X 3.1875 X 0.469		
42.	311-196D	RH BEARING MOUNT RTA25		
43.	816-071C	15 TILLER LH BOTTOM BRG GASKET		
44.	822-084C	BEARING 308		

Drive (continued)

Applies to RTR2555, RTR2562

Ref	Part No.	Part Description	Comments	Revision
45.	800-078C	SNAP RING INT 90 MM		
46.	800-089C	SNAP RING EXT 1-9/16		
47.	311-194D	RH BEARING SPACER PLATE RTA25		
48.	311-135S	RH BRG COVER W/ZRK RTA10/15/25		
49.	800-080C	GREASE ZERK 1/4-28 THD FORMING	(S/N 242272+)	Rev. 2 not compat. w/Rev. 1
49.	800-095C	ZERK GREASE 1/4 DRIVE #1952	(S/N 242271-)	Rev. 1
50.	802-128C	HHCS 1/2-13X2 GR5		
51.	311-132A	PTO SLIP RTA25	Eurocardan	
51.	826-025C	PTO SLIP CLUTCH 72 OVERSEEDER	Walterscheid	
51.	826-025C	PTO SLIP CLUTCH RTA/RTR/OS1572	Eurocardan	
52.	311-110S	BEARING ASSY-LH RTA25/RH RTR25		
53.	311-109S	BEARING ASSY-RH RTA25/LH RTR25		
54.	816-280C	GASKET 1.03OD.515SQ.HL1/32THK	(S/N 208964+)	
55.	802-079C	HHCS 3/8-16X1 1/4 GR5		
56.	803-037C	NUT HEX WHIZ 1/2-13 PLT	(S/N 326877+)	
57.	804-094C	WASHER FLAT 1/2 HARD ASTM F436		
58.	802-458C	HHCS M12X1.75X30 GR8.8	Service Only RTR2562	
59.	804-015C	WASHER LOCK SPRING 1/2 PLT	Service Only RTR2562	
60.	804-016C	WASHER FLAT 1/2 SAE PLT	Service Only RTR2562	
61.	311-627H	TOP BRACE WELDMENT RTR2562	Service Only RTR2562	
62.	826-549C	GBOX 800MM 1.46:1 RTR2562	Service Only RTR2562	
63.	816-582C	GEARBOX GASKET 25 SERIES TLR	Service Only RTR2562	
64.	808-364C	SPKT 9T #100 8/36X40 SPLINE	Service Only RTR2562	
65.	311-629A	KIT, GEARBOX RETRO FIT RTR2562	Service Kit RTR2562	

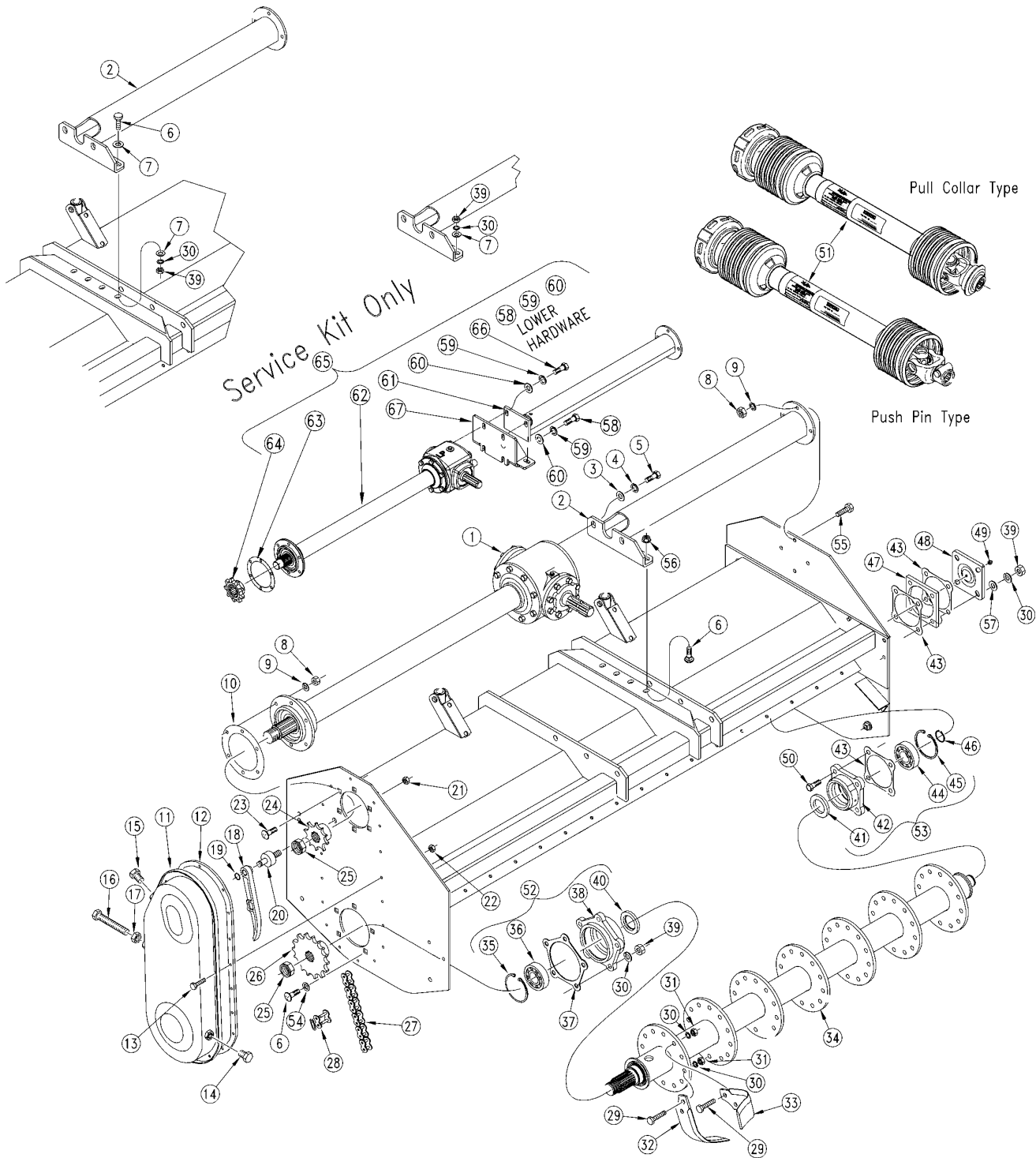
Drive (continued)

Applies to RTR2555, RTR2562

This Page Intentionally Left Blank

Drive S/N 535196-

Applies to RTR2570



11076

Drive S/N 535196-**Applies to RTR2570**

Ref	Part No.	Part Description	Comments	Revision
	dwg11076	Drawing Image Number		
1.	826-428C	RPBY 311-631A RTR2570	(S/N 426011+)	Rev. 2
1.	311-265S	GEARBOX ASSY 900MM RTR2570	(S/N 426010-)	Rev. 1
2.	311-259H	TOP BRACE WELDMENT RTR2570		
3.	804-021C	WASHER FLAT 5/8 SAE PLT		
4.	804-022C	WASHER LOCK SPRING 5/8 PLT		
5.	802-050C	HHCS 5/8-11X1 1/4 GR5		
6.	802-477C	RHSSNB 1/2-13 X 1 1/2 GR5	(S/N 148242+)	Rev. 2 not compat. w/Rev. 1
6.	802-091C	HHCS 1/2-13X1 1/2 GR5	(S/N 148241-)	Rev. 1
7.	804-016C	WASHER FLAT 1/2 SAE PLT		
8.	803-014C	NUT HEX 3/8-16 PLT		
9.	804-013C	WASHER LOCK SPRING 3/8 PLT		
10.	816-095C	GEARBOX GASKET RTA25/35		
11.	311-098H	CHAIN GUARD WELDMENT RTA25/35		
12.	816-092C	GASKET CHAIN GRD RTA25/35		
13.	802-719C	HFSS 1/4-20X7/8 GR5		Rev. 2
13.	802-257C	HFSS 1/4-20X3/4 GR5		Rev. 1
14.	800-066C	DRAIN PLUG 3/4-16 UNF PLATED		
15.	800-094C	FILL PLUG VENTED 3/4-16 PLT		
16.	802-286C	HHCS 5/8-11X4 GR5 FTHD		
17.	803-023C	NUT HEX JAM 5/8-11 PLT		
18.	311-203D	CHAIN IDLER ARM RTA25/35		
19.	800-074C	SNAP RING EXT .591		
20.	311-200D	CHAIN TIGHTNER PIVOT RTA25/35		
21.	803-089C	NUT HEX FLANGE 5/8-18 PLT		
22.	803-007C	NUT LOCK 1/4-20 PLT		
23.	802-155C	RHSNB 3/8-16X1 1/4 GR5	(S/N 148242+)	Rev. 2 not compat. w/Rev. 1
23.	802-079C	HHCS 3/8-16X1 1/4 GR5	(S/N 148241-)	Rev. 1
24.	808-350C	SPKT 9T #100 12/24X20T SPLINE	(S/N 426011+)	Rev. 2
24.	808-102C	SPKT 11T #100 12/24X20T SPLINE	(S/N 426010-)	Rev. 1
25.	803-111C	NUT LT JAM 1 1/2-12 NYLN INSRT		
26.	808-104C	SPKT 14T #100 12/24X20T SPLINE		
27.	809-111C	CHAIN RL#100X38P HIGH TENSILE	(S/N 426011+)	Rev. 2
27.	809-126C	CHAIN RL #100X39P HIGH TENSILE	(S/N 426010-)	Rev. 1
28.	809-097C	#100 CONNECTOR LINK		
29.	802-248C	SP TINE HHCS 1/2-20X1 1/4 GR5		
30.	804-015C	WASHER LOCK SPRING 1/2 PLT		
31.	803-018C	NUT HEX 1/2-20 PLT		
32.	820-058C	BLADE TILLER 25 SERIES RH	70" = 27	
33.	820-057C	BLADE TILLER 25 SERIES LH	70" = 27	
34.	311-082H	ROTOR WELDMENT RTA/RTR2570		
35.	800-017C	SNAP RING INTERNAL 3.938		
36.	822-079C	BEARING 309		
37.	816-094C	GASKET RTA25/35		
38.	311-197D	LH LOWER BRG MOUNT RTA25		
39.	803-020C	NUT HEX 1/2-13 PLT		
40.	816-091C	SEAL 2.25 X 3.5 X .438		
41.	816-084C	SEAL 2 X 3.1875 X 0.469		
42.	311-196D	RH BEARING MOUNT RTA25		
43.	816-071C	15 TILLER LH BOTTOM BRG GASKET		
44.	822-084C	BEARING 308		
45.	800-078C	SNAP RING INT 90 MM		
46.	800-089C	SNAP RING EXT 1-9/16		
47.	311-194D	RH BEARING SPACER PLATE RTA25		
48.	311-135S	RH BRG COVER W/ZRK RTA10/15/25		
49.	800-080C	GREASE ZERK 1/4-28 THD FORMING	(S/N 242272+)	Rev. 2 not compat. w/Rev. 1
49.	800-095C	ZERK GREASE 1/4 DRIVE #1952	(S/N 242271-)	Rev. 1
50.	802-128C	HHCS 1/2-13X2 GR5		

Drive S/N 535196- (continued)

Applies to RTR2570

Ref	Part No.	Part Description	Comments	Revision
51.	311-132A	PTO SLIP RTA25	Eurocardan	
51.	826-025C	PTO SLIP CLUTCH 72 OVERSEEDER	Walterscheid	
51.	826-025C	PTO SLIP CLUTCH RTA/RTR/OS1572	Eurocardan	
52.	311-110S	BEARING ASSY-LH RTA25/RH RTR25		
53.	311-109S	BEARING ASSY-RH RTA25/LH RTR25		
54.	816-280C	GASKET 1.03OD.515SQ.HL1/32THK	(S/N 208964+)	
55.	802-079C	HHCS 3/8-16X1 1/4 GR5		
56.	803-037C	NUT HEX WHIZ 1/2-13 PLT	(S/N 326877+)	
57.	804-094C	WASHER FLAT 1/2 HARD ASTM436		
58.	802-458C	HHCS M12X1.75X30 GR8.8	Service Only	
59.	804-015C	WASHER LOCK SPRING 1/2 PLT	Service Only	
60.	804-016C	WASHER FLAT 1/2 SAE PLT	Service Only	
61.	311-680H	SUPPORT RTR2570	Service Only	
61.	311-680H82	SUPPORT RTR2570 ORANGE	Service Only	
62.	826-550C	GBOX 900MM 1.46:1 RTR2570	Service Only	
63.	816-582C	GEARBOX GASKET 25 SERIES TLR	Service Only	
64.	808-364C	SPKT 9T #100 8/36X40 SPLINE	Service Only	
65.	311-631A	KIT, GEARBOX RETRO FIT RTR2570	Service Kit	
66.	802-613C	HHCS M12X1.75X35 GR8.8	Service Only	
67.	311-681H	GEARBOX MOUNT RTR2570	Service Only	
67.	311-681H82	GEARBOX MOUNT RTR2570 ORANGE	Service Only	

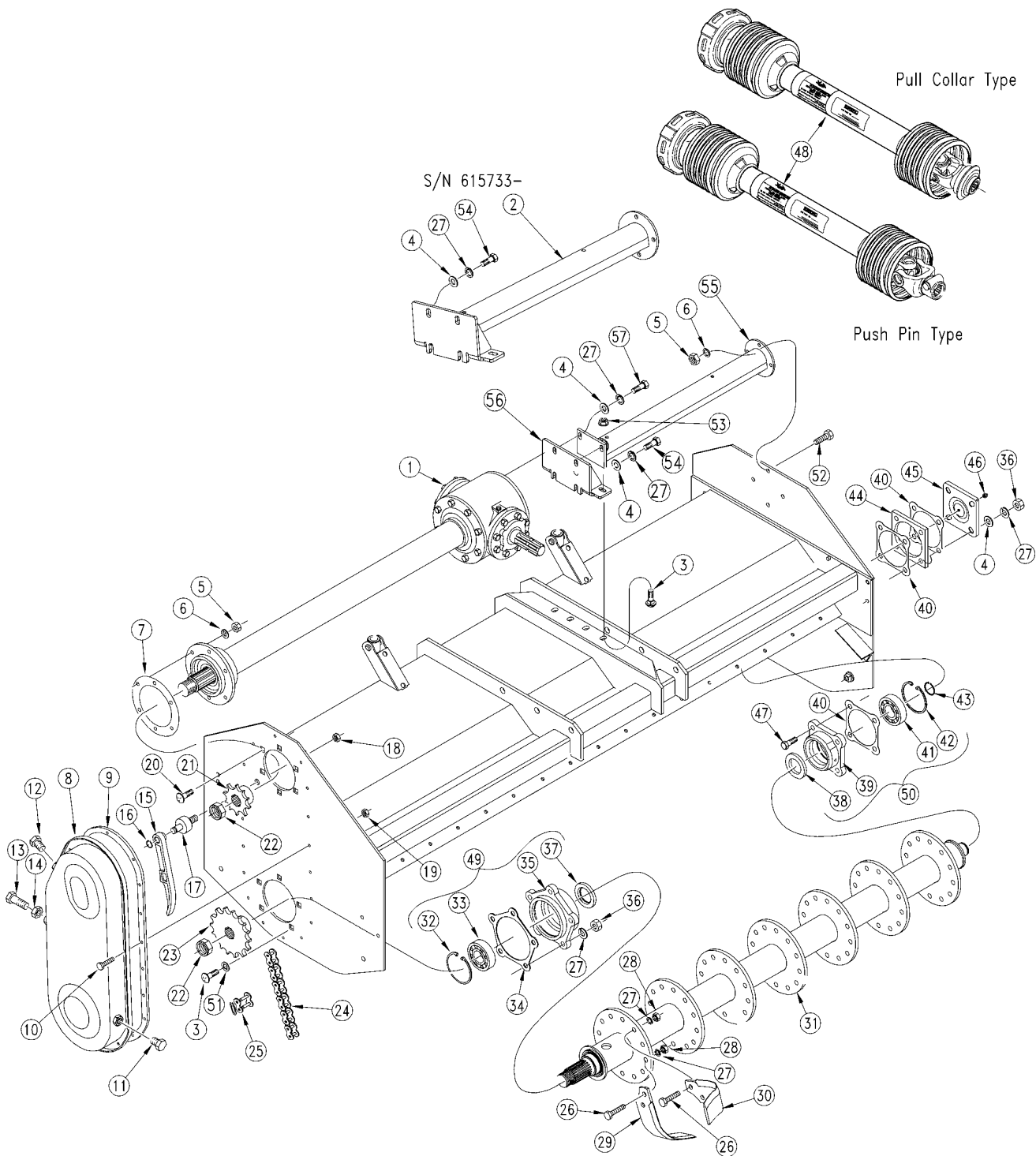
Drive S/N 535196- (continued)

Applies to RTR2570

This Page Intentionally Left Blank

Drive S/N 535197+

Applies to RTR2570



25639

Drive S/N 535197+**Applies to RTR2570**

Ref	Part No.	Part Description	Comments	Revision
	dwg25639	Drawing Image Number		
1.	826-550C	GBOX 900MM 1.46:1 RTR2570		
1.	826-550C82	GBOX 900MM 1.46:1 RTR2570 ORANGE		
2.	311-626H	TOP BRACE WELDMENT RTR2570	S/N 615733-	
2.	311-626H82	TOP BRACE WELDMENT RTR2570 ORANGE	S/N 615733-	
3.	802-477C	RHSSNB 1/2-13X1 1/2 GR5		
4.	804-016C	WASHER FLAT 1/2 SAE PLT		
5.	803-014C	NUT HEX 3/8-16 PLT		
6.	804-013C	WASHER LOCK SPRING 3/8 PLT		
7.	816-582C	GEARBOX GASKET 25 SERIES TLR		
8.	311-098H	CHN GRD WDMNT RTA20/25/35RTR20		
8.	311-098H82	CHN GRD WDMNT ORANGE		
9.	816-092C	GSKT CHN GRD RTA20/25/35 RTR20		
10.	802-719C	HFSS 1/4-20X7/8 GR5		
11.	800-066C	DRAIN PLUG 3/4-16 UNF PLATED		
12.	800-094C	FILL PLUG VENTED 3/4-16 PLT		
13.	802-286C	HHCS 5/8-11X4 GR5 FTHTD		
14.	803-023C	NUT HEX JAM 5/8-11 PLT		
15.	311-203D	CHN IDLR ARM RTA20/25/35 RTR20		
16.	800-074C	SNAP RING EXT .591		
17.	311-200D	CHAIN TIGHTNER PIVOT RTA25/35		
18.	803-089C	NUT HEX FLANGE 5/8-18 PLT		
19.	803-007C	NUT LOCK 1/4-20 PLT		
20.	802-155C	RHSNB 3/8-16X1 1/4 GR5		
21.	808-364C	SPKT 9T #100 8/36X40 SPLINE		
22.	803-111C	NUT LT JAM 1 1/2-12 NYLN INSRT		
23.	808-104C	SPKT 14T #100 12/24X20T SPLINE		
24.	809-111C	CHAIN RL#100X38P HIGH TENSILE		
25.	809-097C	#100 CONNECTOR LINK		
26.	802-248C	SP TINE HHCS 1/2-20X1 1/4 GR5		
27.	804-015C	WASHER LOCK SPRING 1/2 PLT		
28.	803-018C	NUT HEX 1/2-20 PLT		
29.	820-058C	BLADE RH RTA/RTR 20 & 25 SER.	RTR2570 27 Ea.	
30.	820-057C	BLADE LH RTA/RTR 20 & 25 SER.	RTR2570 27 Ea.	
31.	311-082H	ROTOR WELDMENT RTA/RTR2570		
32.	800-017C	SNAP RING INTERNAL 3.938		
33.	822-079C	BRG BALL 1.77IDX3.93ODX.98 309		
34.	816-094C	GASKET RTA25/35		
35.	311-197D	HSG DRV LWR RTA25/RTR25/OS MAC		
36.	803-020C	NUT HEX 1/2-13 PLT		
37.	816-091C	SEAL 2.25 X 3.5 X .438		
38.	816-084C	SEAL 2 X 3.1875 X 0.469		
39.	311-196D	HSG NON-DRV LWR RTA/RTR25 MACH		
40.	816-071C	GASKET 15 TILLER LH BOTTOM		
41.	822-084C	BRG BALL 1.57IDX3.54ODX.90 308		
42.	800-078C	SNAP RING INT 90 MM		
43.	800-089C	SNAP RING EXT 1-9/16		
44.	311-194D	SPACER PLATE NON-DRV LWR		
45.	311-135S	COVER NON-DRV LWR W/ZRK RTA/R		
45.	311-135S82	COVER NON-DRV LWR W/ZRK RTA/R ORANGE		
46.	800-080C	GREASE ZERK 1/4-28 THD FORMING		
47.	802-128C	HHCS 1/2-13X2 GR5		
48.	311-132A	PTO SLIP RTA25/OS1572 W/DECAL		
48.	826-025C	PTO SLIP CLUTCH RTA/RTR/OS1572		
48.	826-025C	PTO SLIP CLUTCH RTA/RTR/OS1572		
49.	311-110S	HSG DRV LWR ASY RTA25/RTR25/OS		
50.	311-109S	HSG NON-DRV LWR ASY RTA/RTR25		

Drive S/N 535197+ (continued)

Applies to RTR2570

Ref	Part No.	Part Description	Comments	Revision
51.	816-280C	GASKET 1.03OD.515SQ.HL1/32THK	S/N 326877+	
52.	802-079C	HHCS 3/8-16X1 1/4 GR5		
53.	803-037C	NUT HEX WHIZ 1/2-13 PLT		
54.	802-458C	HHCS M12X1.75X30 GR8.8		
55.	311-680H	SUPPORT RTR2570	S/N 615734+	
55.	311-680H82	SUPPORT RTR2570 ORANGE	S/N 615734+	
56.	311-681H	GEARBOX MOUNT RTR2570	S/N 615734+	
56.	311-681H82	GEARBOX MOUNT RTR2570 ORANGE	S/N 615734+	
57.	802-613C	HHCS M12X1.75X35 GR8.8	S/N 615734+	

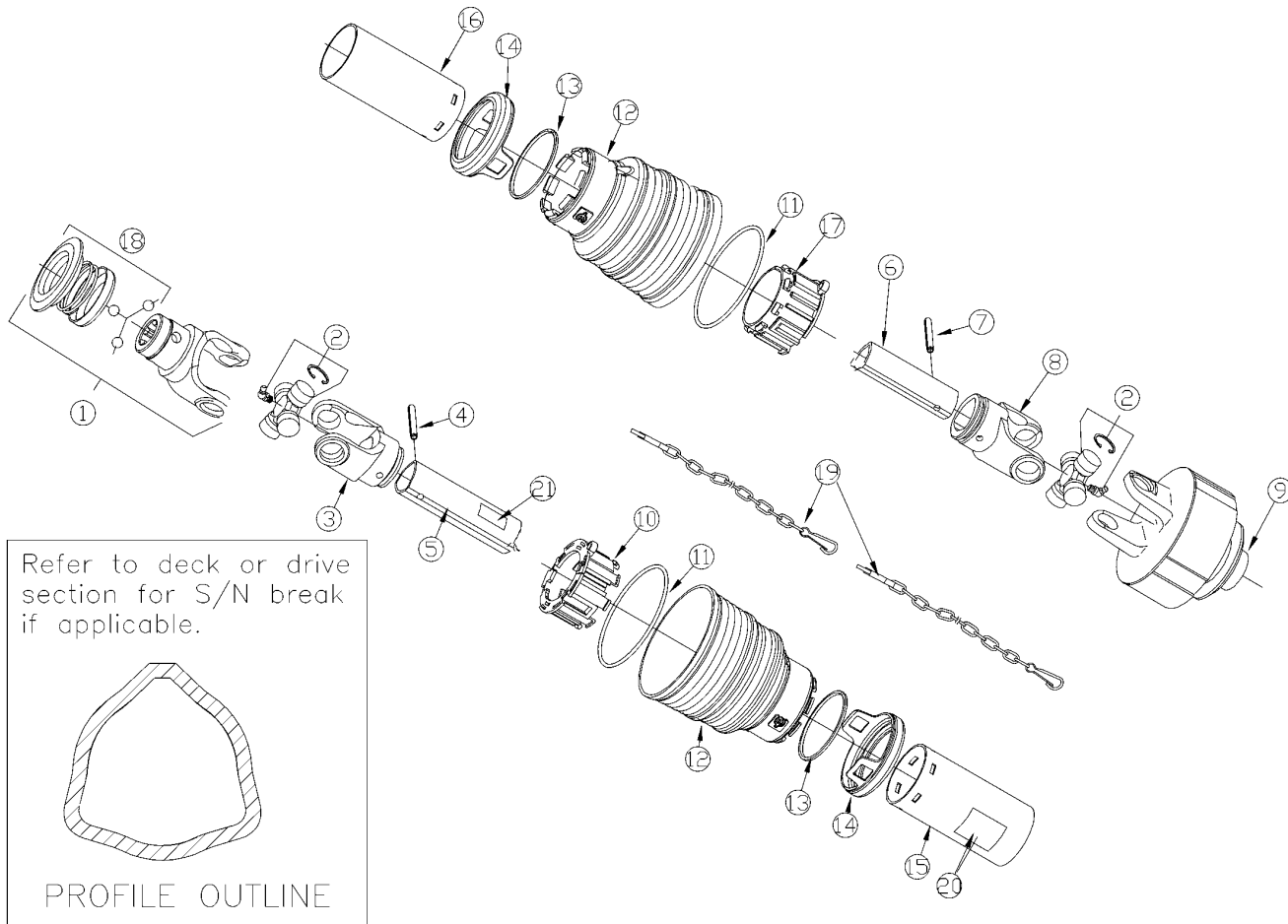
Drive S/N 535197+ (continued)

Applies to RTR2570

This Page Intentionally Left Blank

Driveline (826-025C) Eurocardan

Applies to RTR2542, RTR2548, RTR2555, RTR2562, RTR2570

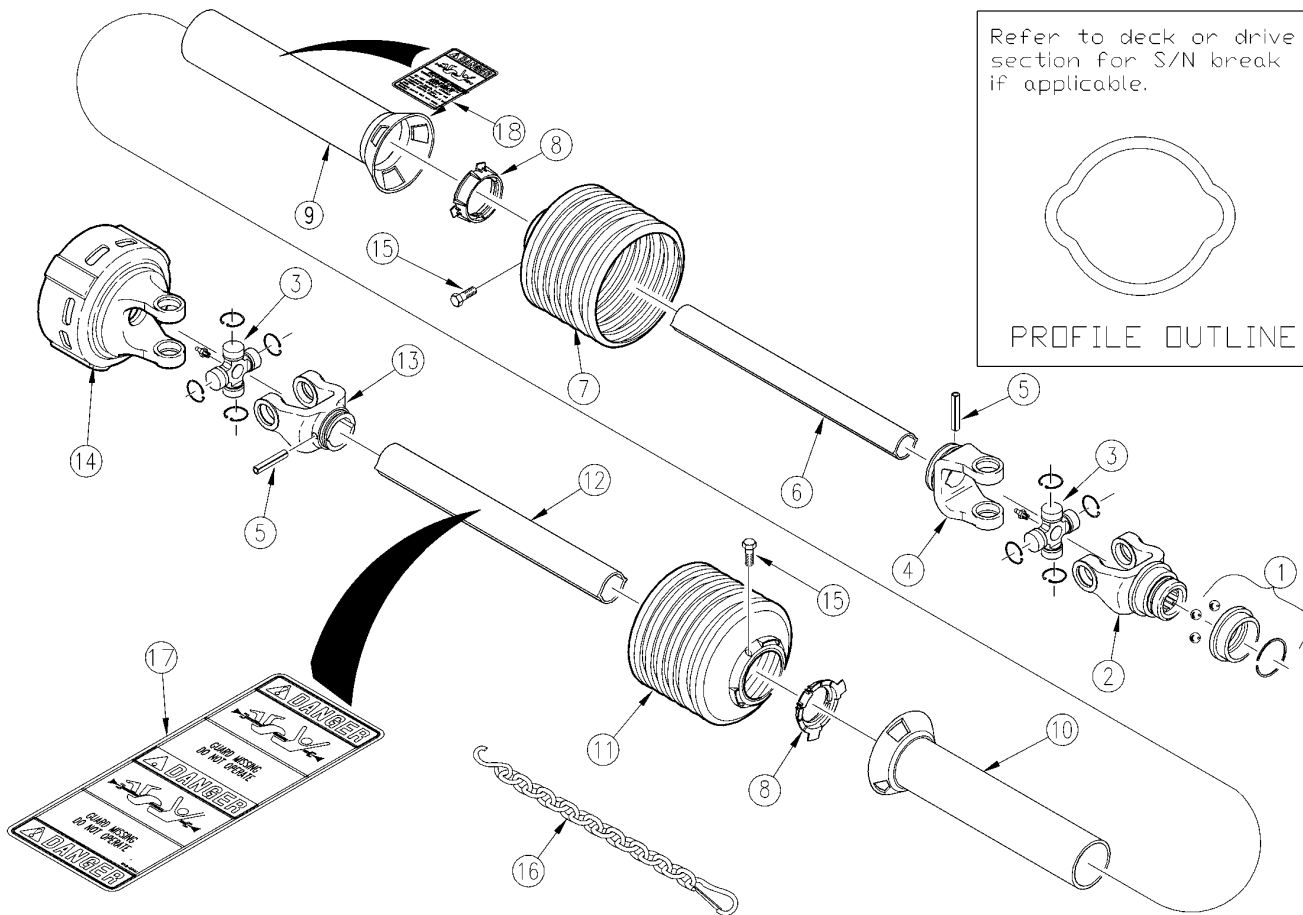


Driveline (826-025C) Eurocardan**Applies to RTR2542, RTR2548, RTR2555, RTR2562, RTR2570**

Ref	Part No.	Part Description	Comments	Revision
	dwg22286	Drawing Image Number		
	826-025C	PTO SLIP CLUTCH RTA/RTR/OS1572 *		
1.	1015012	EC YOKE ASSEMBLY		
2.	1005020	EC CROSS ASSEMBLY		
3.	1705027	EC OUTER TUBE YOKE		
4.	6331075	EC 10X75-DIN-1485 ROLL PIN		
5.	1527036	EC OUTER TUBE (1527056) 360MM		
6.	1526036	EC INNER TUBE (1526084) 360MM		
7.	6331065	EC 10X65-DIN-1485 ROLL PIN		
8.	1705029	EC INNER TUBE YOKE		
9.	1465603	EC CLUTCH BD4/5 1000Nm		
10.	1785710	EC TUBE BEARING (OUTER TUBE)		
11.	1215733	EC STIFFENING RING		
12.	1885703	EC STANDARD CONE		
13.	1215735	EC STOP RING		
14.	1885709	EC SAFETY SLEEVE		
15.	1876026	EC OUTER TUBE (1876094) 260MM		
16.	1877026	EC INNER TUBE (1877094) 260MM		
17.	1785711	EC TUBE BEARING (INNER TUBE)		
18.	1004225	EC PULL COLLAR KIT		
19.	044321	DRIVELINE SHIELD SAFETY CHAIN		Rev. 2
19.	1006065	REP BY 044321		Rev 1; Use up stock
20.	818-552C	DECAL DANGER PTO DRIVELINE		Rev. 2
20.	1140001	REP BY 818-552C		Rev 1; Use up stock
21.	818-540C	DECAL DANGER GUARD MISS PTO		Rev. 2
21.	1140003	REP BY 818-540C		Rev 1; Use up stock

Driveline (826-025C) Walterscheid

Applies to RTR2542, RTR2548, RTR2555, RTR2562, RTR2570

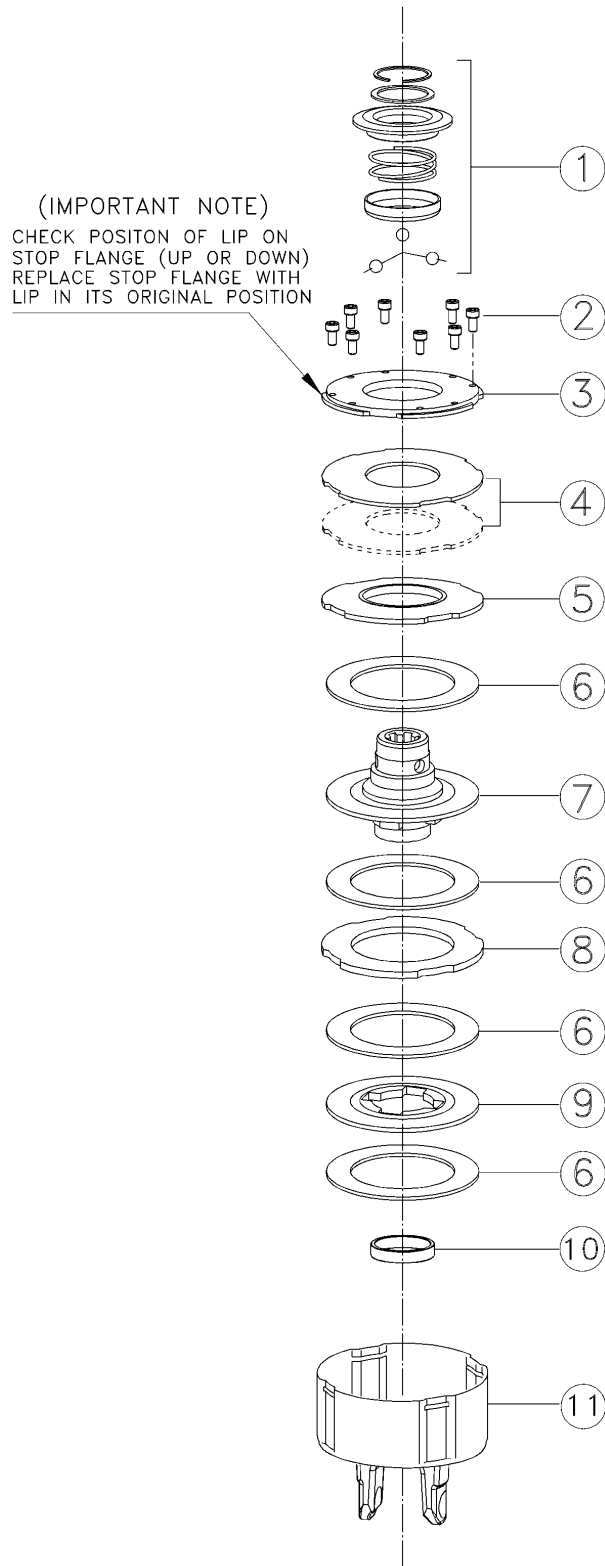


Driveline (826-025C) Walterscheid**Applies to RTR2542, RTR2548, RTR2555, RTR2562, RTR2570**

Ref	Part No.	Part Description	Comments	Revision
	dwg10371	Drawing Image Number		
	826-025C	PTO SLIP CLUTCH 72 OVERSEEDER		
1.	390404	WS ASGE COLLAR KIT		Rev. 2
1.	381908	RPBY 390404		Rev 1; Use up stock
2.	196839	WS YOKE 1 3/8-6 SPL ASGE		Rev. 2
2.	380906	RPBY 196839		Rev 1; Use up stock
3.	044444	WALTERSCHEID CROSS & BRG KIT		
4.	041576	WS INBOARD YOKE		
5.	020616	WS SPRING PIN		
6.	047895	WS INNER PROFILE		
7.	377335	WS SHIELD CONE - 5 RIB		
8.	087276	WS BEARING RING - SC25		
9.	382155	WS OUTER SHIELD TUBE WITH CAP		
10.	387393	WS INNER SHIELD TUBE WITH CAP		
11.	377434	WS SHIELD CONE - 4 RIB		
12.	047907	WS OUTER PROFILE		
13.	041577	WS INBORD YOKE		
14.	318851	WS FRICTION CLUTCH		
15.	365305	WALTERSCHEID SCREW		
16.	044321	DRIVELINE SHIELD SAFETY CHAIN		
17.	818-540C	DECAL DANGER GUARD MISS PTO		Rev. 2
17.	383334	RPBY 818-540C		Rev 1; Use up stock
18.	818-552C	DECAL DANGER PTO DRIVELINE		Rev. 2
18.	383333	RPBY 818-552C		Rev 1; Use up stock

Driveline Slip Clutch (1465603) Eurocardan

Applies to RTR2542, RTR2548, RTR2555, RTR2562, RTR2570



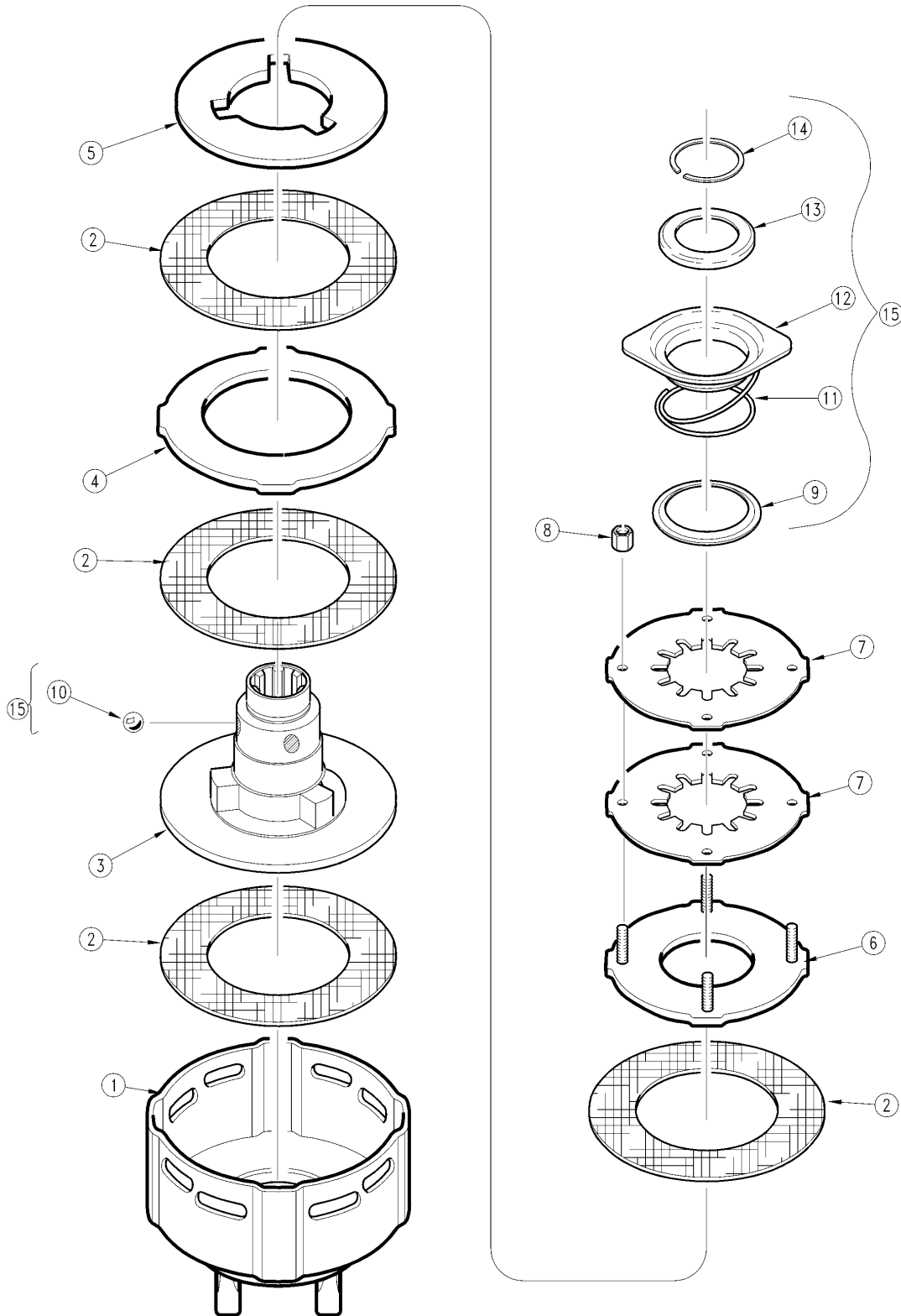
21303

Driveline Slip Clutch (1465603) Eurocardan**Applies to RTR2542, RTR2548, RTR2555, RTR2562, RTR2570**

Ref	Part No.	Part Description	Comments	Revision
	dwg21303	Drawing Image Number		
	1465603	EC CLUTCH BD4/5 1000Nm		
1.	1004225	EC PULL COLLAR KIT		
2.	6040816	EC SCREW M8 X 16		
3.	1134012	EC CLOSURE FLANGE		
4.	1216913	EC SPRING KIT (R450Nm)		
5.	1134011	EC PRESSURE FLANGE		
6.	1806010	EC FRICTION DISC		
7.	1706085	EC HUB WITH FLANGE 1.38-6		
8.	1136008	EC INT. FLANGE		
9.	1136010	EC HUB DISC		
10.	1705009	EC CLUTCH BUSHING		
11.	1465001	EC OUTER BODY FOR BD4/5		

Driveline Slip Clutch (318851) Walterscheid

Applies to RTR2542, RTR2548, RTR2555, RTR2562, RTR2570



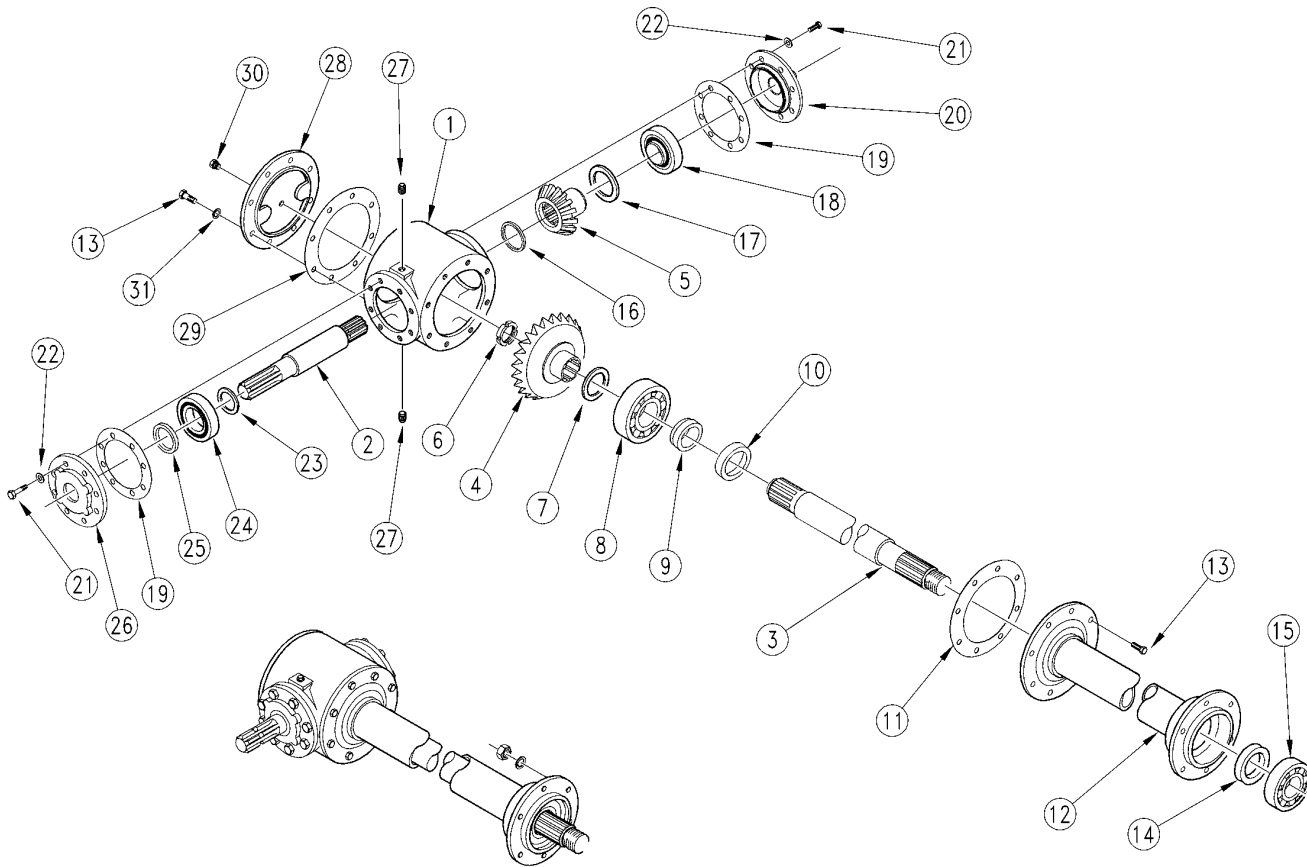
10365

Driveline Slip Clutch (318851) Walterscheid**Applies to RTR2542, RTR2548, RTR2555, RTR2562, RTR2570**

Ref	Part No.	Part Description	Comments	Revision
	dwg10365	Drawing Image Number		
	318851	WS FRICTION CLUTCH		
1.	316956	WS CLUTCH HOUSING		
2.	168556	WS FRICTION DISK		
3.	051554	WS HUB 1 3/8" - 6 SPL.		
4.	042454	WS DRIVE PLATE		
5.	042459	WS DRIVE PLATE		
6.	381495	WALTERSCHEID THRUST PLATE		
7.	043487	WALTERSCHEID BELLEVILLE SPRING		
8.	381957	WALTERSCHEID HEX NUT M8		
9.	047825	WALTERSCHEID BACK UP RING		
10.	020692	WALTERSCHEID BALL		
11.	045793	WALTERSCHEID COMPRESSION SPRNG		
12.	045790	WALTERSCHEID LOCK COLLAR		
13.	338531	WS FLANGED RING		
14.	304149	WS SNAP RING		
15.	341953	WS Q.D. FLG. KIT	Includes items 9, 11 through 14; three of item 10	

Gearbox (311-261S) (311-262S) (311-263S) (311-264S) (311-265S) Comer

Applies to RTR2542, RTR2548, RTR2555, RTR2562, RTR2570



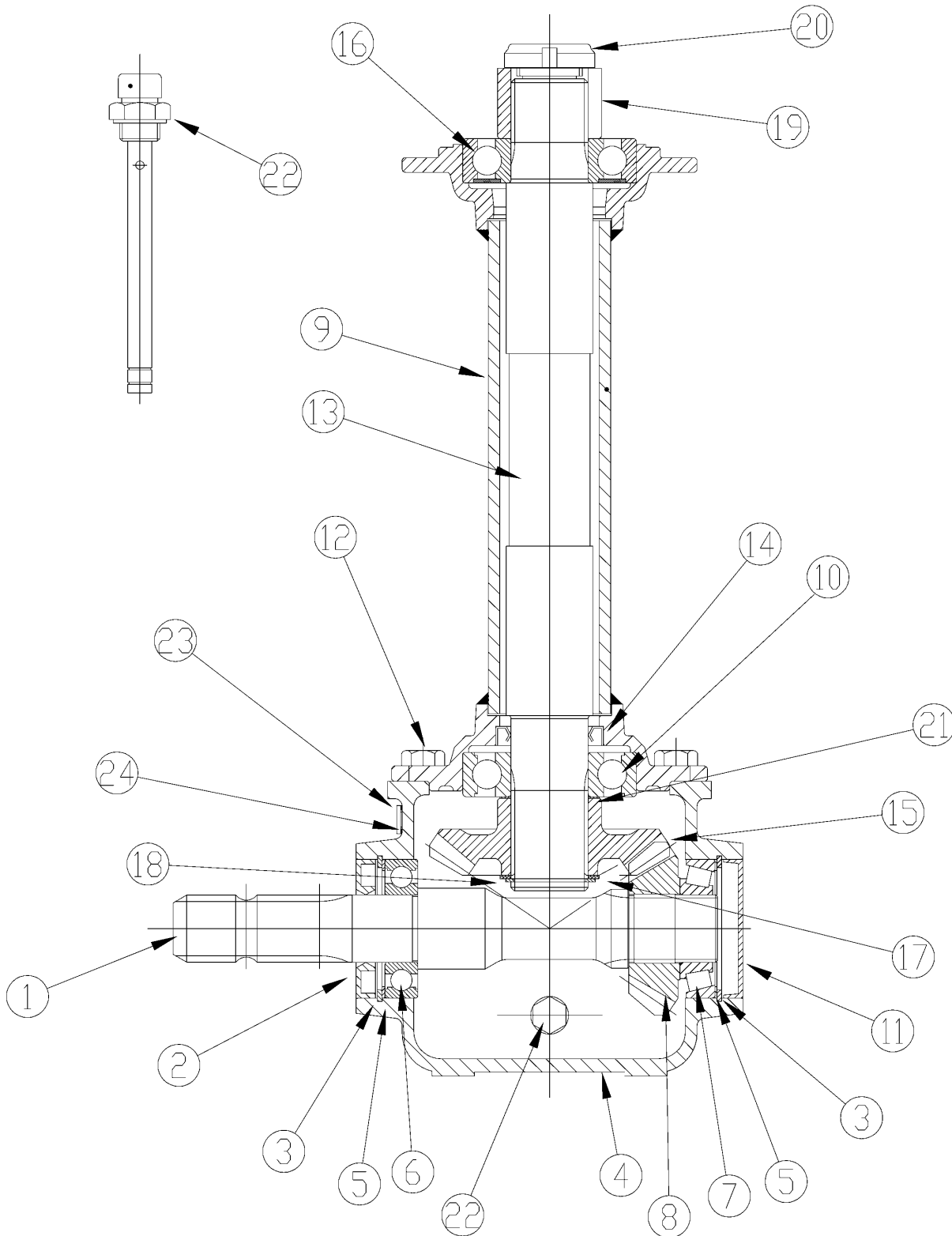
26961

Gearbox (311-261S) (311-262S) (311-263S) (311-264S) (311-265S) Comer**Applies to RTR2542, RTR2548, RTR2555, RTR2562, RTR2570**

Ref	Part No.	Part Description	Comments	Revision
	dwg26961	Drawing Image Number		
	311-261S	GEARBOX ASSY 400MM RTR2542		
	311-262S	GEARBOX ASSY 600MM RTR2548		
	311-263S	GEARBOX ASSY 700MM RTR2555		
	311-264S	GEARBOX ASSY 800MM RTR2562		
	311-265S	GEARBOX ASSY 900MM RTR2570		
1.	0.113.0302.00	CO HOUSING GEARBOX RTA25		
2.	0.113.2205.00	CO SHAFT INPUT RTA25		
3.	0.113.3700.00	CO SHAFT OUTPUT 400MM RTA2542		
3.	0.113.3701.00	CO SHAFT OUTPUT 600MM RTA2548		
3.	0.113.3702.00	CO SHAFT OUTPUT 700MM RTA2555		
3.	0.113.3703.00	CO SHAFT OUTPUT 800MM RTA2562		
3.	0.113.3704.00	CO SHAFT OUTPUT 900MM RTA2570		
4.	0.248.6007.02	CO GEAR OUTPUT 23T RTA25		
5.	0.248.5013.00	CO GEAR INPUT 12T RTA25		
6.	8.2.6.00294	CO NUT, LK SPNR HD M35X1 RTA25		
7.	A257.500	CO SHIM 67.7MM RTA25		
8.	8.0.1.00118	CO BEARING 6311 RTA25		
9.	0.108.7100.04	CO BUSHING RTA25		
10.	8.7.3.00217	CO OIL SEAL 55 X 68 X 8 RTA25		
11.	0.248.7200.00	COMER GASKET		
12.	2.113.1739.00	CO EXTENSION 400MM RTA2542		
12.	2.113.1740.00	CO EXTENSION 600MM RTA2548		
12.	2.113.1741.00	CO EXTENSION 700MM RTA2555		
12.	2.113.1742.00	CO EXTENSION 800MM RTA2562		
12.	2.113.1743.00	CO EXTENSION 900MM RTA2570		
13.	802-285C	HHCS M10X1.5X25 GR8.8 BLK		
14.	8.7.3.00101	CO OIL SEAL 45 X 60 X 7 RTA35		
15.	822-079C	BEARING 309		
16.	0.248.7100.00	CO SPACER RTA25GB		
17.	A252.500	CO SHIM 65.3MM RTA25		
18.	8.0.9.00143	CO BEARING 30209 RTA25		
19.	0.248.7201.01	CO GASKET RTA25		
20.	0.113.1304.01	CO REAR CAP RTA25		
21.	8.1.1.00054	CO BOLT M10X20 8.8		
22.	8.3.7.00324	CO WSH BLVL M10 5X16X1.5 RTA25		
23.	A.259.500	CO ADJUSTMENT SPACER, 35.3 X48		
24.	822-167C	BEARING TAPER ROLLER 30207 SET		Rev. 2
24.	8.0.9.00026	REP BY 822-167C		Rev 1; Use up stock
25.	8.7.3.00043	CO OIL SEAL 35 X 47 X 7 RTA25		
26.	0.113.1314.00	CO FRONT CAP RTA25		
27.	8.6.5.00006	CO OIL PLUG 3/8		
28.	311-191D	COMER LZ14 MOUNTING CAP		
29.	0.248.7200.00	COMER GASKET		
30.	811-316C	PL 1/8MNPT		
31.	804-077C	WASHER LOCK M10 BLK		

Gearbox 826-549C

Applies to RTR2562



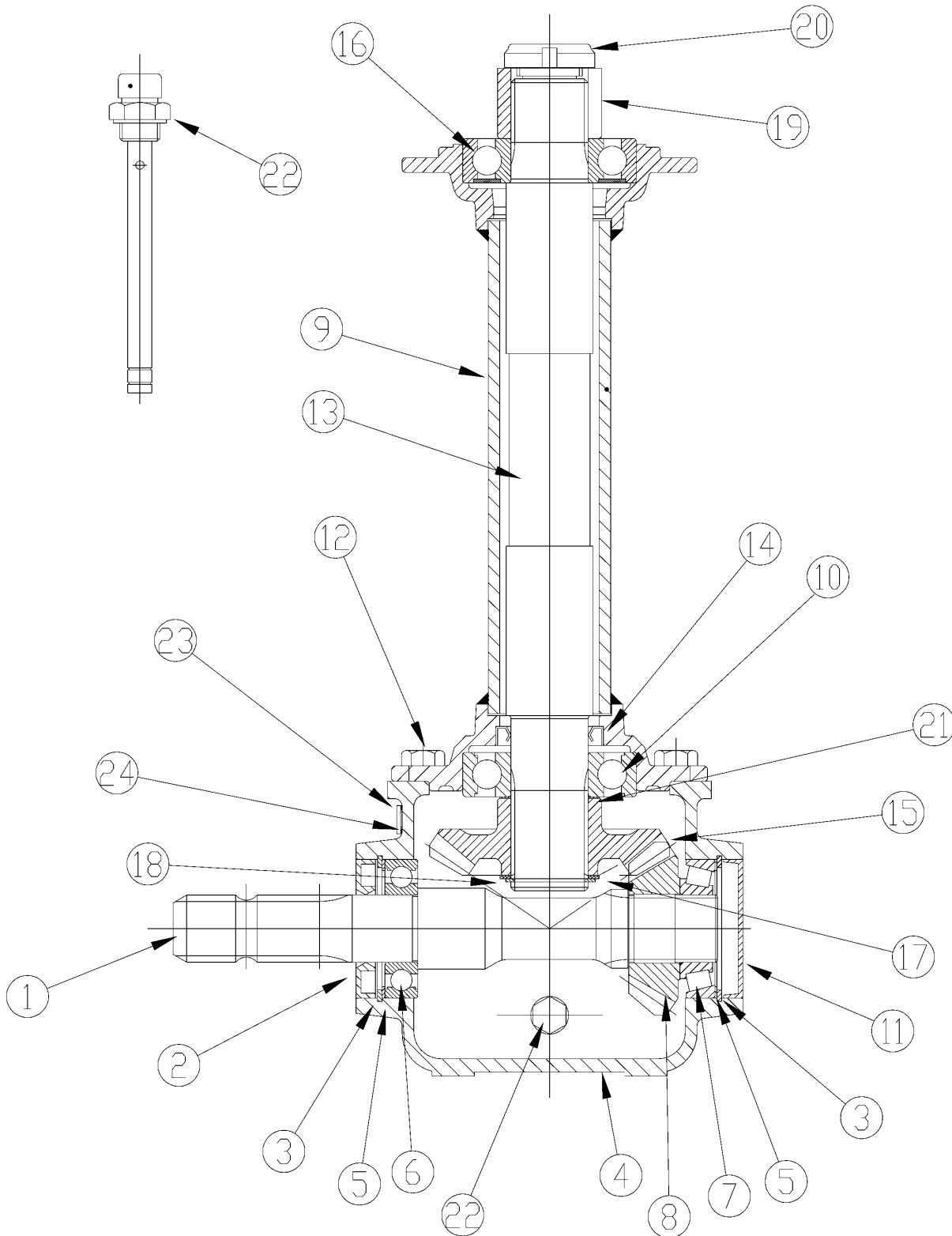
25651

Gearbox 826-549C**Applies to RTR2562**

Ref	Part No.	Part Description	Comments	Revision
	dwg25651	Drawing Image Number		
1.	0.261.2201.00	CO INPUT SHAFT 1" 3/8 Z6		
2.	8.7.3.00055	CO OIL SEAL 35 X 72 X 10		
3.	8.5.2.01071	CO SNAP RING (72X75X3)		
4.	0.261.0702.00	CO HOUSING		
5.	A.248.500	COMER SHIM KIT 71.7		
6.	822-166C	BRG BALL 1.37IDX2.83OD 6207		
7.	822-167C	BRG ROLLER 1.37IDX2.83OD SET		
8.	0.261.5201.00	CO PINION Z15 M5.7		
9.	2.261.1718.00	CO EXTENSION L.800		
10.	8.0.1.00050	CO BALL BRG 6308(40X90X23)		
11.	8.7.0.00744	CO CAP 72 X 10		
12.	8.1.1.00501	CO BOLT M8X22 HHB		
13.	0.261.3707.00	CO OUTPUT SHAFT L.800		
14.	8.7.3.00603	CO OIL SEAL 40 X 62 X 7		
15.	0.121.6001.00	CO GEAR CROWN Z22 M5.7		
16.	8.0.1.00552	CO BALL BRG 6308-Z		
17.	0.457.7510.00	CO SHIM (40.3X46.7X1)		
18.	8.5.1.00680	CO SNAP RING 40 UNI 7436		
19.	0.261.7101.00	CO SPACER (40.5X51X36.5)		
20.	8.2.6.00294	CO NUT, LK SPNR HD M35X1 RTA25		
21.	0.457.7500.00	CO SHIM KIT (40.3X46.7)		
22.	826-488C	COMER U0.195.7101.00 OIL PLUG		
23.	8.6.6.01702	OIL DRAIN PLUG 1/4"GAS		
24.	8.3.0.02248	CO SPRING WASHER		

Gearbox 826-550C

Applies to RTR2570



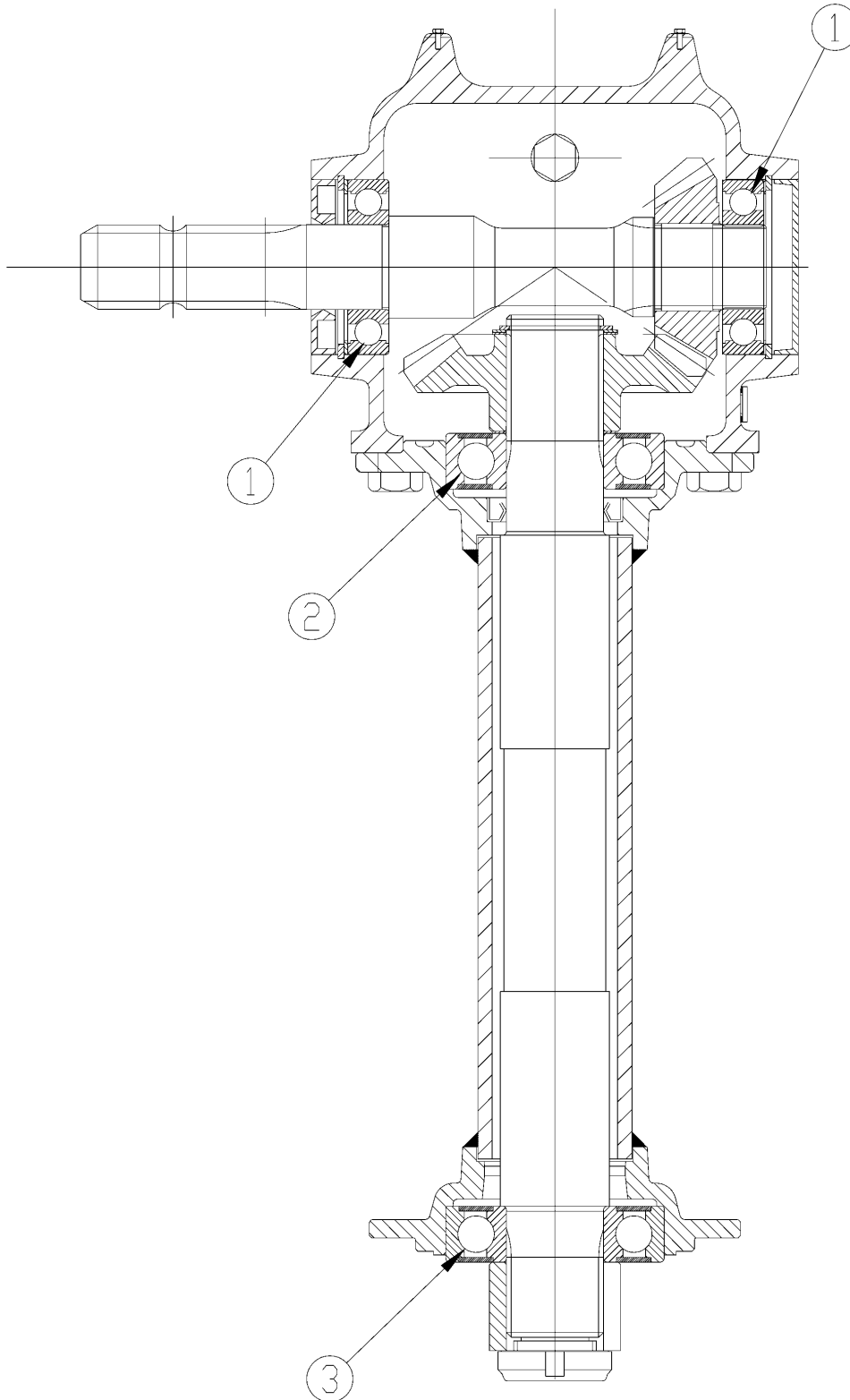
25640

Gearbox 826-550C**Applies to RTR2570**

Ref	Part No.	Part Description	Comments	Revision
	dwg25640	Drawing Image Number		
	826-550C	GBOX 900MM 1.46:1 RTR2570 *		
1.	0.261.2201.00	CO INPUT SHAFT 1" 3/8 Z6		
2.	8.7.3.00055	CO OIL SEAL 35 X 72 X 10		
3.	8.5.2.01071	CO SNAP RING (72X75X3)		
4.	0.261.0702.00	CO HOUSING		
5.	A.248.500	COMER SHIM KIT 71.7		
6.	822-166C	BRG BALL 1.37IDX2.83OD 6207		
7.	822-167C	BRG ROLLER 1.37IDX2.83OD SET		
8.	0.261.5201.00	CO PINION Z15 M5.7		
9.	2.261.1727.00	CO EXTENSION L.900		
10.	8.0.1.00050	CO BALL BRG 6308(40X90X23)		
11.	8.7.0.00744	CO CAP 72 X 10		
12.	8.1.1.00501	CO BOLT M8X22 HHB		
13.	0.261.3713.00	CO OUTPUT SHAFT L.900		
14.	8.7.3.00603	CO OIL SEAL 40 X 62 X 7		
15.	0.121.6001.00	CO GEAR CROWN Z22 M5.7		
16.	8.0.1.00552	CO BALL BRG 6308-Z		
17.	0.457.7510.00	CO SHIM (40.3X46.7X1)		
18.	8.5.1.00680	CO SNAP RING 40 UNI 7436		
19.	0.261.7101.00	CO SPACER (40.5X51X36.5)		
20.	8.2.6.00294	CO NUT, LK SPNR HD M35X1 RTA25		
21.	0.457.7500.00	CO SHIM KIT (40.3X46.7)		
22.	826-488C	COMER U0.195.7101.00 OIL PLUG		
23.	8.6.6.01702	OIL DRAIN PLUG 1/4"GAS		
24.	8.3.0.02248	CO SPRING WASHER		

Gearbox MR 826-426C, 826-427C & 826-428C

Applies to RTR2555, RTR2562, RTR2570



25652

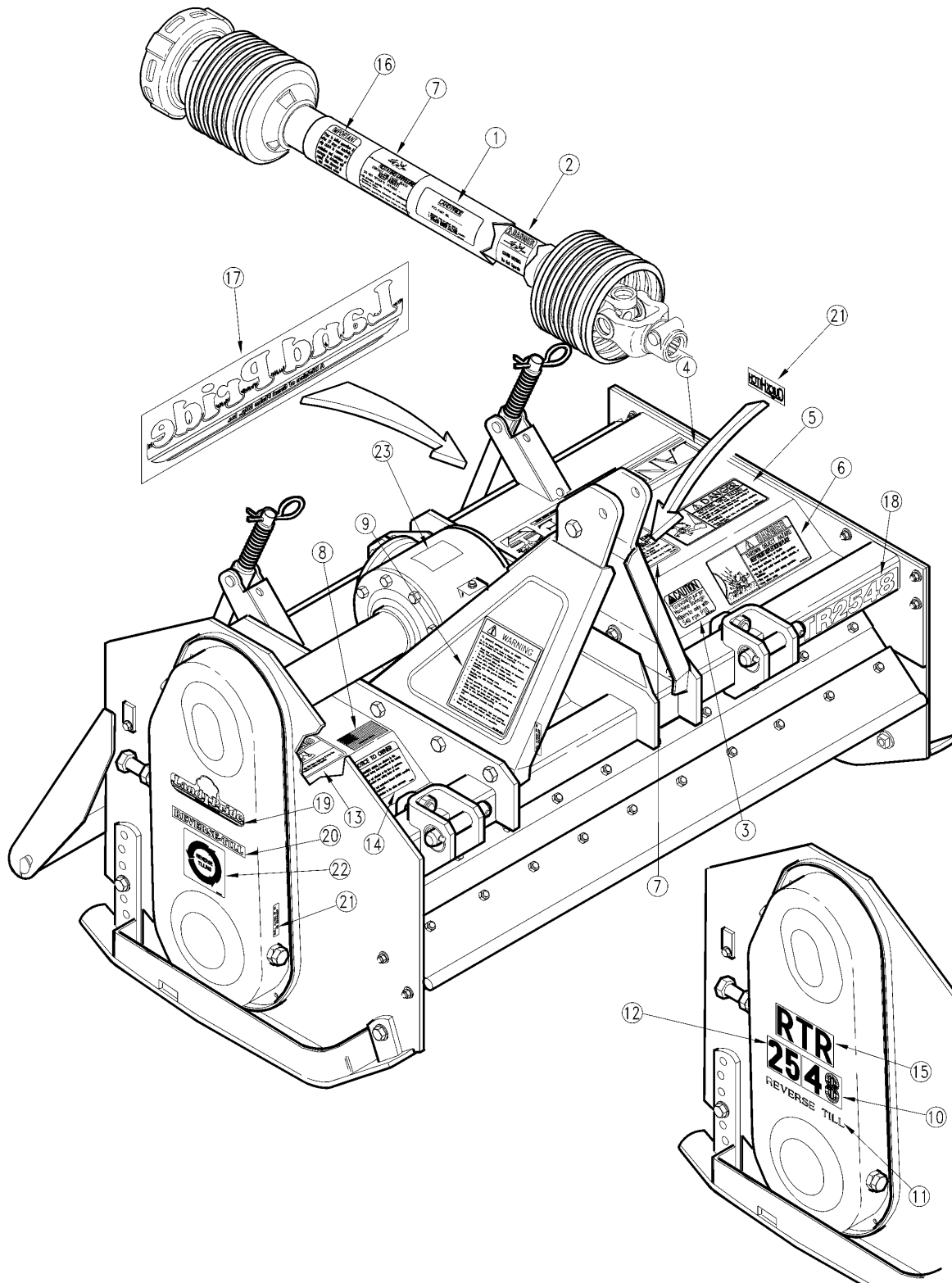
Gearbox MR 826-426C, 826-427C & 826-428C

Applies to RTR2555, RTR2562, RTR2570

Ref	Part No.	Part Description	Comments	Revision
		No Parts List Available At This Time		

Label Placement

Applies to RTR2542, RTR2548, RTR2555, RTR2562, RTR2570



17588

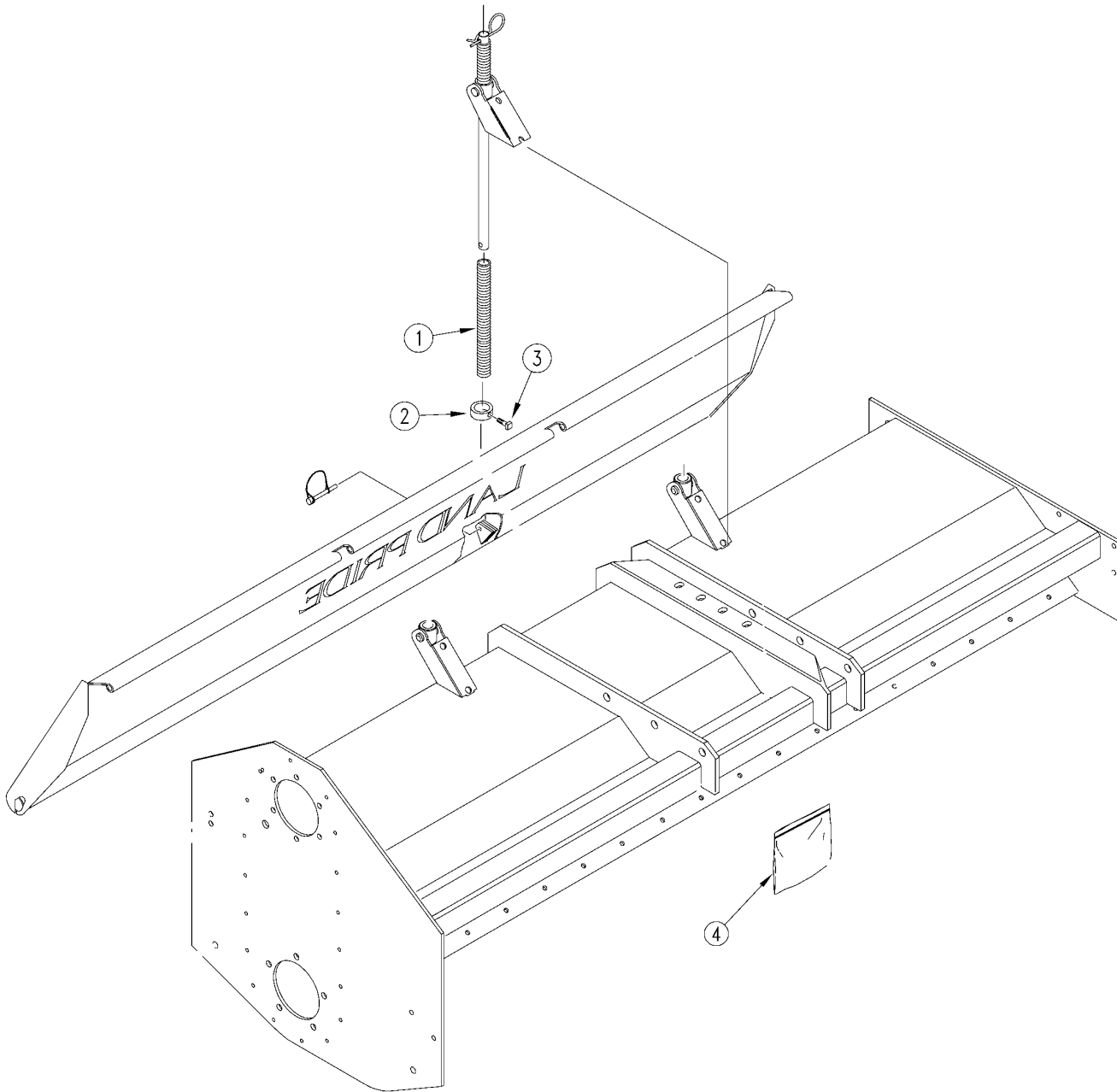
Label Placement

Applies to RTR2542, RTR2548, RTR2555, RTR2562, RTR2570

Ref	Part No.	Part Description	Comments	Revision
	dwg17588	Drawing Image Number		
	311-240A	RTR25 SAFETY DECAL PACKAGE	Includes items 2, 3, 5, 6 and 10; two each of 7	
	311-234A	RTR2542 DECAL PACKAGE	Includes items 1 through 15	
	311-235A	RTR2548 DECAL PACKAGE	Includes items 1 through 15	
	311-236A	RTR2555 DECAL PACKAGE	Includes items 1 through 15	
	311-237A	RTR2562 DECAL PACKAGE	Includes items 1 through 15	
	311-238A	RTR2570 DECAL PACKAGE	Includes items 1 through 15	
1.	818-191C	DECAL PTO {826-025C}		
2.	818-540C	DECAL DANGER GUARD MISS PTO		
3.	818-130C	DECAL CAUTION 540 RPM		
4.	818-162C	LP LOGO LARGE GREEN		
5.	818-171C	DECAL DANGER ROTATING TINES		
6.	818-284C	DECAL, WARNING FLYING DEBRIS		
7.	818-552C	DECAL DANGER PTO DRIVELINE		
8.	818-190C	DECAL FLAG		
9.	818-858C	DECAL CAUTION GENERAL SAFETY	(S/N 243232+)	Rev. 2 not compat. w/Rev. 1
9.	818-350C	DECAL CAUTION GENERAL SAFETY	(S/N 243231-)	Rev. 1
10.	818-168C	DECAL 42" LP - BLACK	(S/N 255499-)	
10.	818-087C	DECAL 48" LP - BLACK	(S/N 255499-)	
10.	818-213C	DECAL 55" LP-BLACK	(S/N 255499-)	
10.	818-214C	DECAL 62" LP-BLACK	(S/N 255499-)	
10.	818-216C	DECAL 70" LP-BLACK	(S/N 255499-)	
11.	818-283C	DECAL REVERSE TILL	(S/N 255499-)	
12.	818-085C	DECAL 25 SERIES LP - BLACK	(S/N 255499-)	
13.	818-557C	DECAL DANGER CANNOT READ ENG	(S/N 255499-)	
14.	818-560C	DECAL NOTICE TO OWNER-NO WARRA		
15.	818-745C	DECAL RTR LAND PRIDE BLACK	(S/N 255499-)	
16.	818-680C	DECAL IMPORTANT - SLIP CLUTCH	(S/N 211783+)	
17.	818-907C	DECAL LANDPRIDE 22" - BROWN	(S/N 255500+) Beige Unit	
17.	838-966C	DECAL LANDPRIDE 22" BROWN/GOLD	Orange Unit	
18.	818-948C	DECAL RTR2548-BROWN	(S/N 255500+)	
18.	818-949C	DECAL RTR2555-BROWN	(S/N 255500+)	
18.	818-950C	DECAL RTR2562-BROWN	(S/N 255500+)	
18.	818-951C	DECAL RTR2570-BROWN	(S/N 255500+)Beige Unit	
18.	848-162C	DECAL RTR2570-GOLD	Orange Unit	
19.	818-896C	DECAL LP W/TREE 6" - 2 COLOR	(S/N 255500+) Beige Unit	
19.	838-968C	DECAL LP 6 W/TREE BROWN/GOLD	Orange Unit	
20.	838-044C	DECAL REVERSE TILL-BROWN	(S/N 255500+)	
21.	838-415C	DECAL SHELL ALVANIA EP 00	(S/N 343520+)	
22.	838-536C	DECAL REVERSE TILLING W/ARROWS	(S/N 391079+) Beige Unit	
22.	848-260C	DECAL REVRS TILL W/ARROWS GOLD	Orange Unit	
23.	838-862C	DECAL 3 YEAR GEARBOX WARRANTY		

Rear Deflector Down Pressure Kit

Applies to RTR2542, RTR2548, RTR2555, RTR2562, RTR2570



11077

Rear Deflector Down Pressure Kit

Applies to RTR2542, RTR2548, RTR2555, RTR2562, RTR2570

Ref	Part No.	Part Description	Comments	Revision
	dwg11077	Drawing Image Number		
	311-162A	DOWN PRESSURE KIT RTA25/35 *		
1.	807-005C	SPRING DISC ARM		
2.	311-209D	SPRING ROD COLLAR RTA25/35		
3.	802-014C	HHCS 3/8-16X3/4 GR5		
4.	311-134M	TILLER DOWN PRESS. KIT NOTICE		



Part Number Index

The Part Number Index is a numeric index of all part numbers included in this manual. The index shows what page(s) the part is used on.

Part Number	Page	Part Number	Page	Part Number	Page	Part Number	Page
0.107.7100.01	65	020164	41	1.20.2303804	137	1481050	95
0.108.7100.04	107, 177	020165	41	1.25.26309RS2	137	1482037	17
0.110.7500.00	135	020166	41	1.25.34310	137	1483049	27
0.113.0302.00	107, 177	020614	19, 23, 29, 55, 59	1.26.330207	137	1484037	53
0.113.1304.01	107, 177	020616	91, 97, 171	1.26.332011	137	1484049	25
0.113.1314.00	107, 177	020617	127	1.35.5507510	137	1485037	93, 95
0.113.2205.00	107, 177	020692	31, 61, 101, 133, 175	1.36.3506210	137	150136	39
0.113.3700.00	107, 177			1002020	17	150144	39
0.113.3701.00	107, 177	030295	41	1002034	17	15206036	93
0.113.3702.00	107, 177	030296	41	1003020	27	1522038	17
0.113.3703.00	107, 177	04-011	135	1004020	21, 25, 53	1523037	27
0.113.3704.00	107, 177	040179	41	1004034	53	1523038	17
0.121.6001.00	103, 105, 179, 181	040180	41	1004225	17, 21, 33, 57, 63, 89, 99, 125, 129, 131, 169, 173	1524035	21
0.121.7100.00	37	041049	19, 23, 29			1524037	25, 27, 53
0.132.7106.00	37	041065	19, 23, 29			1525035	21
0.141.7105.00	37	041068	19, 23, 29			1525037	25, 53
0.144.5000.00	37	041180	31	1004227	17, 25	1526034	125
0.195.7101.00	103	041315	55, 59	1005020	57, 89, 93, 95, 169	1526035	57
0.248.5013.00	107, 177	041318	55, 59			1526036	89, 95, 169
0.248.6007.02	107, 177	041368	61	1005034	95	1527035	57
0.248.7100.00	107, 177	041378	55, 59	1006020	125	1527036	89, 93, 95, 169
0.248.7200.00	107, 177	041576	91, 97, 171	1006038	17, 53	1528034	125
0.248.7201.01	107, 177	041577	91, 97, 171	1006065	21, 53, 57, 89, 125, 169	1532302	17
0.252.7500.00	107	042454	101, 133, 175			1532316	17
0.257.7500.00	107	042459	101, 133, 175	100818	39	15325-02	67
0.259.7500.00	37, 65, 107, 135	043487	31, 101, 133, 175	100826	39	1534302	53
0.259.7513.00	37	043489	61, 133	1012012	17	1534316	53
0.261.0702.00	103, 105, 179, 181	044321	17, 19, 21, 23, 27, 29, 53, 55, 57, 59, 89, 91, 93, 95, 97, 125, 127, 169, 171	1012013	17	1535316	95
0.261.2201.00	103, 105, 179, 181			1014012	21	153585	39
0.261.3707.00	103, 179	044439	19, 23, 29	1014013	25	153593	39
0.261.3713.00	105, 181	044444	55, 59, 91, 97, 171	1015012	57, 89, 169	1581038	17, 53, 93, 95
0.261.5201.00	103, 105, 179, 181			101568	39	16520-00	35
0.261.7101.00	103, 105, 179, 181	045790	31, 61, 101, 133, 175	1016012	125	16525-03	67
0.267.0508.00	65			1022010	17	168556	31, 61, 101, 133, 175
0.267.1300.00	65	047825	31, 61, 101, 133, 175	1023010	27		
0.267.4601.00	65			1024010	53	1702027	17
0.267.5002.00	65	047882	19, 23, 29	1025010	93, 95	1702029	17
0.267.6001.00	65	047892	19, 23, 29	110004	41	1702110	17
0.267.7100.00	65	047895	91, 97, 127, 171	1134011	33, 63, 99, 129, 131, 173	1703027	27
0.267.7104.00	65	047907	91, 97, 171			1704027	21, 25, 53
0.268.0501.00	37	047909	127	1136008	99, 129, 131, 173	1704029	21, 25, 53
0.268.1300.00	37	048242	55, 59	1136010	99, 129, 131, 173	1704065	33, 63
0.268.2209.00	37	048360	55, 59	1140001	21, 57, 89, 125, 169	1704110	53
0.268.3208.00	37	050170	41			1705009	33, 63, 99, 129, 131, 173
0.268.6003.00	37	050172	41	1140003	21, 57, 89, 125, 169	1705027	57, 89, 93, 95, 169
0.268.7100.00	37	050179	39				
0.268.7500.00	65	051551	31, 61	1213233	21, 25, 27	1705029	57, 89, 93, 95, 169
0.272.5000.00	135	051554	101, 133, 175	1215733	57, 89, 93, 125, 169	1705110	95
0.272.6000.00	135	053314	23, 31			1706027	125
0.292.0300.00	135	053331	59, 61	1216906	63	1706029	125
0.292.2000.00	135	054593	39	1216907	131	1706085	99, 129, 131, 173
0.292.3100.00	135	054619	39	1216913	33, 99, 129, 173	17220-00	35
0.292.3101.00	135	060133	41	12220-00	35	17220-01	35
0.292.3102.00	135	060134	41	130006	41	17225-01	67
0.292.3103.00	135	070218	41	1384001	33	17225-04	67
0.292.7100.00	135	070219	41	1384003	21, 33	1772329	17
0.350.7500.00	135	070220	41	1385001	63	1775329	95
0.457.7500.00	103, 105, 179, 181	080039	41	1385005	57, 63	1782016	17
		087276	91, 97, 127, 171	140004	41	1782210	17
		087279	19, 23, 29, 55, 59	140033	41	1783016	53
		090099	41	1465001	99, 129, 173	1784210	21, 25, 27, 53
		1.00.001030Z	137	1465603	89, 99, 129, 169, 173	1784212	17, 21, 25, 27, 53
		1.06.0027Z	137			1785016	95
		1.06.0110Z	137	1466001	131	1785017	95
		1.06.5727ZM	137	1466607	125, 131	1785703	125
				1480640	17	1785710	57, 89, 93, 169

Table of Contents Part Number Index



Part Number Index (continued)

Part Number	Page	Part Number	Page	Part Number	Page	Part Number	Page
1785711	57, 89, 93, 169	308-274H	13	311-029H	14	311-091H	71
1786710	125	308-400D	11, 46, 72, 116,	311-030D	49	311-092H	115
1786711	125		149	311-030D81	49	311-093D	10, 46, 71, 149
1806010	33, 63, 99, 129, 131, 173	310-020S	10, 46, 72, 116, 149	311-030D82	49	311-093H	115
1872027	21	310-074D	10, 46, 149	311-030D83	49	311-094H	115
1872029	25, 27, 53	311-002H	13	311-030D84	49	311-095H	115
1872030	17	311-003H	13	311-030H	9, 45	311-096H	71, 115
1873027	21	311-004H	13	311-032D	10, 45	311-096H82	71, 115
1873029	25, 27, 53	311-005H	14, 49	311-034H	13	311-097H	71, 115
1873030	17	311-006H	9, 46	311-035H	13	311-097H82	71, 115
1874028	95	311-006H81	9, 46	311-038D	10, 45	311-098H	77, 81, 85, 121, 153, 157, 161, 165
1875028	95	311-006H82	9, 46	311-038H	13		
1876024	125	311-006H83	9, 46	311-042D	13, 49		
1876025D	57	311-006H84	9, 46	311-051D	10, 46, 115	311-098H82	85, 121, 165
1876026	89, 93, 169	311-007H	9, 45	311-052D	10, 46	311-099S	72, 116, 143, 146
1877024	125	311-007H81	9, 45	311-052H	9, 45	311-100H	71
1877025	57	311-007H82	9, 45	311-052H81	9, 45	311-101H	71, 115
1877026	89, 93, 169	311-007H83	9, 45	311-052H82	9, 45	311-101H82	71, 115
1882342	17	311-007H84	9, 45	311-052H83	9, 45	311-102E	71, 149
1883013	17, 53	311-008H	13	311-052H84	9, 45	311-103E	71, 149
1883230	17, 53	311-009H	9	311-052HC	72	311-104E	115
1883231	17, 53	311-009H81	9	311-052HC82	72	311-105E	115
1884201	17, 21, 25, 27, 53	311-009H82	9	311-053D	10, 71	311-106H	115, 149
1884202	17, 21, 25, 27, 53	311-009H83	9	311-053H	9	311-106H82	115, 149
1884203	17, 21, 25, 27, 53	311-009H84	9	311-053H81	9	311-107H	71
1884204	21	311-010H	9	311-053H82	9	311-108H	115
1884329	53	311-010H81	9	311-053H83	9	311-109S	78, 82, 85, 154, 158, 162, 165
1884342	53	311-010H82	9	311-053H84	9	311-110S	78, 82, 85, 154, 158, 162, 165
1885342	95	311-010H83	9	311-054D	49		
1885703	57, 89, 93, 169	311-010H84	9	311-054H	13	311-111S	122
1885709	57, 89, 93, 125, 169	311-011H	9	311-055H	13	311-112S	122
1886010	95	311-011H81	9	311-058A	69	311-132A	153, 158, 162, 165
1886011	95	311-011H82	9	311-059A	69		
1886013	95	311-011H83	9	311-060A	69		
19320-00	35	311-011H84	9	311-061A	43, 69, 111	311-133D	71, 143
19320-01	35	311-012H	13, 50	311-062D	10, 46, 115	311-134D	71
19325-00	67	311-012H81	13, 50	311-068D	45	311-134M	113, 141, 187
196839	91, 97, 171	311-012H82	13, 50	311-069H	71	311-135D	71
2.113.1739.00	107, 177	311-012H83	13, 50	311-070H	71	311-135S	14, 49, 78, 82, 85, 153, 158, 161, 165
2.113.1740.00	107, 177	311-012H84	13, 50	311-071D	9, 45		
2.113.1741.00	107, 177	311-014D	13, 49	311-071H	71	311-135S82	85, 165
2.113.1742.00	107, 177	311-014H	9, 45	311-072H	71	311-136D	71
2.113.1743.00	107, 177	311-014H81	9, 45	311-073H	71	311-136S	122
2.261.1718.00	103, 179	311-014H82	9, 45	311-074H	115	311-136S82	122
2.261.1727.00	105, 181	311-014H83	9, 45	311-075H	115	311-137A	111
2.292.1302.00	135	311-014H84	9, 45	311-076H	115	311-137D	115
2.292.1303.00	135	311-015D	50	311-077D	10, 46	311-138A	111
2.292.1304.00	135	311-017H	9, 45	311-077H	115	311-138D	115
2.292.1305.00	135	311-017H81	9, 45	311-078H	77	311-138S	111
200142	41	311-017H82	9, 45	311-079H	77, 153	311-139A	111
2006012	67	311-017H83	9, 45	311-080H	77, 157	311-140A	111
20820-00	35	311-017H84	9, 45	311-081H	81, 85, 157	311-141A	111
20820-01	35	311-018H	49	311-082H	81, 85, 161, 165	311-142A	139
20825-00	67	311-019H	49	311-083H	121	311-143A	139
219105	39	311-020H	49	311-084D	49	311-144A	139
219113	39	311-025H	45	311-084D81	49	311-145A	139
219758	39	311-025H81	45	311-084D82	49	311-146S	77, 107
219766	39	311-025H82	46	311-084D83	49	311-147S	77, 107
3.01.10009	137	311-025H83	46	311-084D84	49	311-148S	77, 107
3.01.10921000	137	311-025H84	46	311-084H	121	311-149S	81, 107
3.01.20001	137	311-027H	45	311-085D	49	311-150S	81, 107
3.01.20601	137	311-027H81	45	311-085D81	49	311-154D	72, 116, 143, 146
3.01.220501	137	311-027H82	45	311-085D82	49	311-162A	113, 141, 187
3.01.22121000	137	311-027H83	45	311-085D83	49	311-173E	10, 46
300087	39	311-027H84	45	311-085D84	49	311-174E	10, 46
30208025	35, 67	311-028H	45	311-085H	121	311-182H	14
304149	31, 61, 101, 133, 175	311-028H81	45	311-086H	121	311-182H81	14
308-171D	13, 50	311-028H82	45	311-087H	71	311-182H82	14
		311-028H83	45	311-088H	71	311-182H83	14
		311-028H84	45	311-089H	71	311-182H84	14
				311-090H	71	311-183H	13



Part Number Index (continued)

Part Number	Page	Part Number	Page	Part Number	Page	Part Number	Page
311-183H81	13	311-209H82	145	311-280D	145	311-680H82	162, 166
311-183H82	13	311-210H	143	311-312D	50	311-681H	162, 166
311-183H83	13	311-211H	143	311-347D	11, 47	311-681H82	162, 166
311-183H84	13	311-212H	143	311-347D81	11, 47	311-731D	75, 119, 151
311-184H	13	311-213H	145	311-347D82	11, 47	312410	127
311-184H81	13	311-214H	145	311-347D83	11, 47	316956	101, 175
311-184H82	13	311-215D	10, 46	311-347D84	11, 47	318851	91, 101, 171, 175
311-184H83	13	311-215H	143	311-348D	72, 149	320527	133
311-184H84	13	311-216H	143	311-348D82	72, 149	321166	127, 133
311-185A	43	311-217H	145	311-349D	116	322928	19
311-186A	43	311-218H	145	311-349D82	116	335848	55
311-187A	43	311-218H82	145	311-363D	49	3370645	17
311-188A	43	311-219H	143	311-363H	71, 75	338531	31, 61, 101, 133, 175
311-189D	71, 149	311-220H	143	311-363H82	71, 75	339107	19, 23, 29, 55, 59, 97
311-189H	10, 46	311-221H	145	311-364H	71, 75	34021008	35, 67
311-189H81	10, 46	311-222H	145	311-364H82	71, 75	341953	31, 61, 101, 133, 175
311-189H82	10, 46	311-223S	149	311-365H	71, 75	352124	97
311-189H83	10, 46	311-224D	143, 146	311-366H	115, 119	356609	29
311-189H84	10, 46	311-224S	143	311-366H82	115, 119	365305	19, 23, 29, 55, 59, 91, 97, 127, 171
311-190D	115	311-225D	143, 146	311-367H	115, 119	370007	39
311-190H	10, 46	311-225S	143	311-369H	145, 151	370015	39
311-190H81	10, 46	311-230D	71, 143	311-369H82	145	370023	39
311-190H82	10, 46	311-234A	185	311-370H	145, 151	377234	19, 23, 29
311-190H83	10, 46	311-235A	185	311-371H	145, 151	377235	55, 59
311-190H84	10, 46	311-236A	185	311-383H	71, 75	377335	91, 97, 171
311-191D	107, 177	311-237A	185	311-384H	71, 75	377336	127
311-191H	10	311-237D	145	311-384H82	71, 75	377434	91, 171
311-191H81	10	311-238A	185	311-385H	71, 75	377436	127
311-191H82	10	311-238D	145	311-385H82	71, 75	380906	91, 97, 171
311-191H83	10	311-240A	185	311-386H	71, 75	380907	127
311-191H84	10	311-249D	143, 145	311-386H82	71, 75	381495	31, 61, 101, 133, 175
311-192D	77, 81	311-249D82	145	311-387H	115, 119	381908	91, 97, 127, 171
311-192H	10, 46	311-251D	153	311-388H	115, 119	381924	55, 59
311-192H81	10, 46	311-257H	157	311-388H82	115, 119	381957	31, 61, 101, 133, 175
311-192H82	10, 46	311-258H	157	311-389H	115, 119	382155	91, 97, 171
311-192H83	10, 46	311-259H	161	311-389H82	115, 119	383333	19, 23, 29, 55, 59, 91, 97, 127, 171
311-192H84	10, 46	311-260H	145	311-390H	145, 151	383334	19, 23, 29, 55, 59, 91, 97, 127, 171
311-193D	121	311-261S	153, 177	311-391H	145, 151	385058	19, 23, 29
311-193D82	121	311-262S	153, 177	311-391H82	145	385689	19, 23, 29
311-193H	72, 116, 145	311-263S	157, 177	311-392H	145, 151	386717	55, 59
311-194D	78, 82, 85, 153, 158, 161, 165	311-264H	149	311-393H	145, 151	387393	91, 97, 171
311-194H	149	311-264H82	149	311-393H82	145	387551	127
311-195H	149	311-264S	157, 177	311-430H	11	387552	127
311-196D	77, 81, 85, 153, 157, 161, 165	311-265E	11, 46	311-430H81	11	390021	39
311-196H	72, 116, 145	311-265E81	11, 46	311-430H82	11	390039	39
311-197D	77, 81, 85, 153, 157, 161, 165	311-265E82	11, 46	311-430H83	11	390195	39
311-197H	71	311-265E83	11, 46	311-430H84	11	390404	91, 97, 127, 171
311-198D	122	311-265E84	11, 47	311-445H	11, 47	410027	39
311-198H	77, 153	311-265S	161, 177	311-445H81	11, 47	410167	39
311-199D	122	311-266E	11, 46	311-445H82	11, 47	410175	39
311-199H	71	311-266E81	11, 46	311-445H83	11, 47	44321	25
311-200D	77, 81, 85, 121, 153, 157, 161, 165	311-266E82	11, 46	311-445H84	11, 47	450056	39
311-202D	71, 75, 115, 119, 143, 145, 151	311-266E83	11, 46	311-449H	11, 47	600031	39
311-203A	111	311-266E84	11, 46	311-449H81	11, 47	6000822	35, 67
311-203D	77, 81, 85, 121, 153, 157, 161, 165	311-266H	71	311-449H82	11, 47	600221	39
311-204D	115	311-267E	72, 149	311-449H83	11, 47	601310	39
311-204H	145	311-267E82	72, 149	311-449H84	11, 47	6040816	33, 63, 99, 129, 131, 173
311-205H	145	311-268E	72, 149	311-450D	116, 119, 145, 151	620062	39
311-206H	145	311-268E82	72, 149	311-523D	75	620070	39
311-208H	143, 145	311-269E	116	311-620H	82, 85		
311-208H82	145	311-269E82	116	311-620H82	85		
311-209D	113, 141, 187	311-270E	116	311-626H	165		
311-209H	143, 145	311-270E82	116	311-626H82	165		
		311-273D	143	311-627H	158		
		311-274D	143	311-628A	82		
		311-275D	145	311-629A	158		
		311-276D	145	311-630A	82		
		311-276D82	145	311-631A	162		
		311-277D	143	311-663D	11, 47		
		311-278D	143	311-680H	162, 166		
		311-279D	145				

Table of Contents Part Number Index



Part Number Index (continued)

Part Number	Page	Part Number	Page	Part Number	Page	Part Number	Page
6203572	35, 67	8.7.1.00152	65	802-091C	13, 45, 49, 71, 77, 78, 81, 82, 115, 121, 122, 143, 145, 153, 154, 157, 161	803-037C	78, 82, 86, 122, 154, 158, 162, 166
6206095	67	8.7.3.00043	107, 177	802-094C	14	803-089C	77, 81, 85, 121, 153, 157, 161, 165
6310095	67	8.7.3.00055	37, 103, 105, 179, 181	802-106C	78, 82, 86, 122, 154	803-105C	75, 119, 151
6320035	35, 67	8.7.3.00081	135	802-115C	53, 55, 75, 97, 119, 151	803-111C	77, 81, 85, 121, 153, 157, 161, 165
6320095	67	8.7.3.00101	107, 135, 177	802-128C	78, 82, 85, 153, 158, 161, 165	803-147C	9, 45, 72
6320135	67	8.7.3.00217	107, 177	802-138C	72, 116	803-148C	115, 149
6330850	17	8.7.3.00603	103, 105, 179, 181	802-149C	143, 145	803-153C	13, 49
6330855	17, 21, 25, 27, 53	8.7.3.00737	135	802-153C	115	803-154C	19, 29
6330860	21, 25, 27, 53	800-001C	14, 49	802-155C	77, 81, 85, 121, 153, 157, 161, 165	803-155C	50
6330875	95	800-017C	77, 81, 85, 122, 153, 157, 161, 165	802-159C	41	803-157C	13, 49
6331065	57, 89, 93, 169	800-053C	13, 49	802-162C	10, 45, 71, 149	803-167C	121
6331070	125	800-066C	13, 50, 77, 81, 85, 121, 153, 157, 161, 165	802-248C	13, 49, 77, 81, 85, 153, 157, 161, 165	803-199C	75, 119, 151
6331075	57, 89, 93, 169	800-069C	37	802-257C	13, 50, 77, 81, 121, 153, 157, 161	803-255C	11, 47, 72, 116, 149
6331080	125	800-074C	77, 81, 85, 121, 153, 157, 161, 165	802-258C	14, 49	803-279C	95
6341025	35	800-078C	50, 77, 82, 85, 153, 158, 161, 165	802-267C	19, 29	804-007C	11, 47, 72, 116, 149
6341835	67	800-079C	13, 37, 49	802-278C	121	804-009C	11, 41, 47
6361025	35	800-080C	14, 49, 78, 82, 85, 122, 153, 158, 161, 165	802-282C	143, 145	804-011C	10, 46
6361835	67	800-089C	77, 82, 85, 153, 158, 161, 165	802-285C	107, 135, 177	804-012C	72, 75, 116, 119, 146, 151
6402108	35, 67	800-090C	122	802-286C	77, 81, 85, 121, 153, 157, 161, 165	804-013C	9, 45, 71, 75, 77, 81, 85, 115, 119, 121, 143, 145, 149, 151, 153, 157, 161, 165
6402716	35, 67	800-092C	122	802-458C	82, 86, 158, 162, 166	804-015C	9, 13, 45, 49, 71, 77, 81, 82, 85, 115, 122, 143, 145, 153, 157, 158, 161, 162, 165
6470116	35, 67	800-094C	77, 81, 85, 121, 153, 157, 161, 165	802-477C	13, 49, 77, 78, 81, 82, 85, 121, 122, 153, 154, 157, 161, 165	804-016C	13, 50, 77, 81, 82, 85, 121, 153, 157, 158, 161, 162, 165
6481600	35, 67	800-095C	14, 49, 78, 82, 122, 153, 158, 161	802-613C	162, 166	804-021C	77, 81, 121, 153, 157, 161
65316-00	35	800-096C	10, 46, 71, 115, 149	802-719C	13, 50, 77, 81, 85, 121, 153, 157, 161, 165	804-022C	10, 45, 71, 77, 81, 115, 121, 149, 153, 157, 161
65316-05	67	800-097C	10, 46, 72, 116, 149	802-738D	11, 47	804-023C	11, 46, 72, 116, 149
6690845	27	801-042C	9, 11, 45, 47, 50, 72, 116, 149	803-007C	13, 49, 77, 81, 85, 121, 153, 157, 161, 165	804-037C	14, 50
6691050	93, 95	802-005C	11, 47, 72, 116, 149	803-011C	55, 72, 97, 116, 143, 145	804-076C	121
6906012	67	802-007C	143, 145	803-013C	10, 46, 72, 116, 143, 146	804-077C	107, 177
6906207	35, 67	802-009C	143	803-014C	9, 45, 71, 77, 81, 85, 115, 121, 143, 145, 149, 153, 157, 161, 165	804-094C	14, 50, 78, 82, 86, 154, 158, 162
69230207	35, 67	802-014C	113, 141, 187	803-018C	13, 49, 77, 81, 85, 153, 157, 161, 165	805-015C	10, 46, 72, 115, 149
6973572	35, 67	802-017C	9, 45, 71, 75, 115, 119, 143, 151	803-020C	13, 49, 77, 81, 85, 122, 153, 157, 161, 165	805-032C	71, 115, 143, 145
6976095	67	802-032C	13	803-021C	10, 45, 71, 115, 149	805-041C	10, 46, 72, 115, 149
8.0.1.00025	65	802-034C	9, 45	803-022C	77, 81, 85, 121, 153, 157, 161, 165	805-065C	9, 45, 71, 75, 115, 119, 143, 145, 151
8.0.1.00050	103, 105, 179, 181	802-050C	10, 46, 77, 81, 121, 153, 157, 161	803-023C	77, 81, 85, 121, 153, 157, 161, 165	805-155C	72, 116, 149
8.0.1.00118	107, 177	802-051C	9, 45, 72, 115, 149	803-027C	10, 46, 72, 116, 149	805-198C	10, 46, 72, 115, 149
8.0.1.00169	65	802-067C	11, 47, 72, 116, 149				
8.0.1.00552	103, 105, 179, 181	802-068C	11, 47, 72, 116, 149				
8.0.1.00870	65	802-079C	72, 77, 81, 116, 121, 145, 149, 153, 157, 161, 165				
8.0.9.00026	37, 65, 107, 177						
8.0.9.00129	135						
8.0.9.00143	107, 177						
8.0.9.00469	135						
8.1.1.00054	65, 107, 177						
8.1.1.00343	37						
8.1.1.00501	103, 105, 179, 181						
8.2.6.00181	135						
8.2.6.00294	103, 105, 107, 177, 179, 181						
8.3.0.02248	103, 105, 179, 181						
8.3.7.00324	107, 177						
8.4.1.01028	65						
8.4.7.01111	37						
8.5.1.00005	65						
8.5.1.00680	103, 105, 179, 181						
8.5.2.00131	65						
8.5.2.01027	65						
8.5.2.01071	103, 105, 179, 181						
8.5.2.01370	135						
8.6.5.00006	65, 107, 135, 177						
8.6.5.00339	37						
8.6.6.01702	103, 105, 179, 181						
8.6.7.00269	41						
8.7.0.00744	37, 103, 105, 179, 181						
8.7.0.00790	135						
		802-082C	14, 50, 122				



Part Number Index (continued)

Part Number	Page	Part Number	Page	Part Number	Page	Part Number	Page
806-005C	45	816-280C	14, 50, 78, 82, 86, 122, 154, 158, 162, 166	818-896C	43, 69, 111, 139, 185	826-050C	121, 135
806-048C	9, 45, 72			818-897C	69	826-051C	121, 135
806-049C	10, 46	816-504C	11, 47, 72, 116, 149	818-907C	43, 69, 111, 139, 185	826-257C	14, 25, 27, 29
806-054C	115, 149					826-271C	14, 41
807-005C	113, 141, 187	816-582C	82, 85, 158, 162, 165	818-941C	43	826-299C	14, 35
807-007C	71, 75, 115, 119, 143, 145, 151			818-942C	43	826-300C	49, 67
807-062C	13, 49	817-469C	75, 119, 151	818-943C	43	826-426C	77, 157
807-081C	143, 145	817-543C	69	818-944C	43	826-427C	81, 157
807-082C	143, 145	818-084C	69	818-945C	69	826-428C	81, 161
808-081C	13	818-085C	111, 185	818-946C	69	826-429C	121
808-082C	13	818-086C	139	818-947C	69	826-430C	121
808-092C	49	818-087C	111, 185	818-948C	185	826-430C82	121
808-093C	50	818-130C	43, 69, 111, 139, 185	818-949C	185	826-488C	105, 179, 181
808-102C	77, 81, 153, 157, 161	818-142C	17	818-950C	185	826-537C	82, 85, 103
808-103C	121	818-162C	111, 139, 185	818-951C	185	826-537C82	85
808-104C	77, 81, 85, 153, 157, 161, 165	818-164C	43, 69, 111	818-952C	111	826-542C	82, 85, 105
		818-166C	43	818-953C	111	826-542C82	85
808-105C	121	818-167C	43, 111	818-954C	111	826-549C	158
808-350C	77, 81, 157, 161	818-168C	43, 69, 111, 185	818-955C	111	826-550C	162, 165, 181
808-351C	121	818-169C	43, 69, 139	818-956C	111	826-550C82	165
808-364C	82, 85, 158, 162, 165	818-170C	43, 69, 139	818-957C	139	826-556C	17
		818-171C	43, 69, 111, 139, 185	818-958C	139	826-608C	137
809-079C	13			820-055C	13, 49	826-609C	137
809-083C	50	818-176C	43	820-056C	13, 49	838-044C	185
809-087C	13	818-177C	43	820-057C	77, 81, 85, 153, 157, 161, 165	838-415C	43, 69, 111, 139, 185
809-088C	13	818-178C	69			838-517C	43, 69, 111, 139
809-089C	50	818-179C	69	820-058C	77, 81, 85, 153, 157, 161, 165	838-536C	185
809-097C	77, 81, 85, 153, 157, 161, 165	818-187C	17			838-537C	43, 69
809-102C	77, 81	818-190C	43, 69, 111, 139, 185	820-059C	121	838-862C	111, 139, 185
809-103C	121			820-060C	121	838-907C	43
809-104C	121	818-191C	111, 185	822-020C	39	838-908C	43
809-111C	157, 161, 165	818-213C	111, 185	822-021C	39	838-909C	43
809-126C	121, 153, 157, 161	818-214C	111, 185	822-033C	39	838-910C	43
		818-215C	139	822-034C	39	838-914C	69
809-227C	77, 81, 85	818-216C	111, 185	822-079C	77, 81, 85, 107, 122, 135, 153, 157, 161, 165, 177	838-915C	69
811-316C	107, 177	818-217C	139			838-916C	69
812-127C	72, 116, 143, 146	818-222C	111	822-082C	13, 49	838-966C	43, 69, 111, 139, 185
815-027C	49	818-223C	139	822-084C	50, 77, 81, 85, 153, 157, 161, 165	838-968C	43, 69, 185
815-028C	49	818-283C	185			848-162C	185
815-029C	49	818-284C	185	822-093C	122	848-163C	111
816-068C	13, 49	818-350C	43, 69, 111, 139, 185	822-166C	35, 65, 67, 103, 105, 179, 181	848-164C	111
816-069C	13, 50			822-167C	35, 41, 65, 67, 103, 105, 107, 177, 179, 181	848-165C	139
816-070C	13, 49	818-540C	17, 19, 21, 23, 25, 27, 29, 43, 53, 55, 57, 59, 69, 89, 91, 93, 95, 97, 111, 125, 127, 139, 169, 171, 185			848-260C	185
816-071C	50, 77, 81, 85, 153, 157, 161, 165			826-013C	14, 37, 39	A.248.500	103, 105, 179, 181
816-084C	50, 77, 81, 85, 153, 157, 161, 165	818-543C	43	826-013C81	14	A.259.500	37, 65, 107, 135, 177
816-091C	77, 81, 85, 122, 153, 157, 161, 165	818-552C	17, 19, 21, 23, 25, 27, 29, 43, 53, 55, 57, 59, 69, 89, 91, 93, 95, 97, 111, 125, 127, 139, 169, 171, 185	826-013C82	14	A110.500	135
816-092C	77, 81, 85, 121, 153, 157, 161, 165			826-013C83	14	A252.500	107, 177
816-093C	122			826-013C84	14	A257.500	107, 177
816-094C	77, 81, 85, 122, 153, 157, 161, 165	818-557C	43, 69, 111, 139, 185	826-014C	14, 17, 19	A268.5000	65
816-095C	77, 81, 121, 153, 157, 161	818-560C	43, 69, 111, 139, 185	826-015C	14, 21, 23	A350.500	135
816-096C	122			826-016C	49, 65	dwg10139	61
816-125C	145	818-680C	43, 69, 111, 139, 185	826-016C81	49	dwg10140	45
816-126C	143			826-016C82	49	dwg10141	49
816-127C	143	818-744C	43, 69, 111, 139	826-016C83	49	dwg10142	65
816-128C	145	818-745C	185	826-016C84	49	dwg10143	55
816-129C	145	818-858C	43, 69, 111, 139, 185	826-023C	50, 53, 55	dwg10144	59
				826-024C	50, 57, 59	dwg10360	9
		818-862C	43, 69	826-025C	78, 82, 86, 89, 91, 154, 158, 162, 165, 169, 171	dwg10361	39
						dwg10365	101, 175
				826-031C	78, 82, 93, 95, 97	dwg10368	77, 81
				826-032C	122, 125, 127	dwg10369	107
				826-048C	121, 135	dwg10370	97
				826-049C	121, 135	dwg10371	91, 171
						dwg10375	71, 115
						dwg10376	121
						dwg10377	135
						dwg10600	31



Part Number Index (continued)

<u>Part Number</u>	<u>Page</u>
dwg10855	133
dwg10915	37
dwg10972	19, 29
dwg10973	23
dwg11067	153
dwg11068	143
dwg11073	149
dwg11075	145
dwg11076	157, 161
dwg11077	113, 141, 187
dwg13205	17, 53
dwg13546	13
dwg15173	95
dwg16956	93
dwg17409	27
dwg17584	43
dwg17585	69
dwg17586	139
dwg17587	111
dwg17588	185
dwg21302	63
dwg21303	99, 129, 173
dwg22000	57
dwg22183	67
dwg22190	35
dwg22197	41
dwg22219	75
dwg22222	151
dwg22223	119
dwg22286	89, 169
dwg22309	21
dwg23890	131
dwg25596	33
dwg25634	85
dwg25637	103
dwg25638	105
dwg25639	165
dwg25640	181
dwg25651	179
dwg26645	25
dwg26705	137
dwg26850	127
dwg26873	125
dwg26961	177
RTA1034	41
RTA1042	41
RTA1050	41



Great Plains Manufacturing, Inc.

Corporate Office: P.O. Box 5060
Salina, Kansas 67402-5060 USA

www.landpride.com

Free Manuals Download Website

<http://myh66.com>

<http://usermanuals.us>

<http://www.somanuals.com>

<http://www.4manuals.cc>

<http://www.manual-lib.com>

<http://www.404manual.com>

<http://www.luxmanual.com>

<http://aubethermostatmanual.com>

Golf course search by state

<http://golfingnear.com>

Email search by domain

<http://emailbydomain.com>

Auto manuals search

<http://auto.somanuals.com>

TV manuals search

<http://tv.somanuals.com>