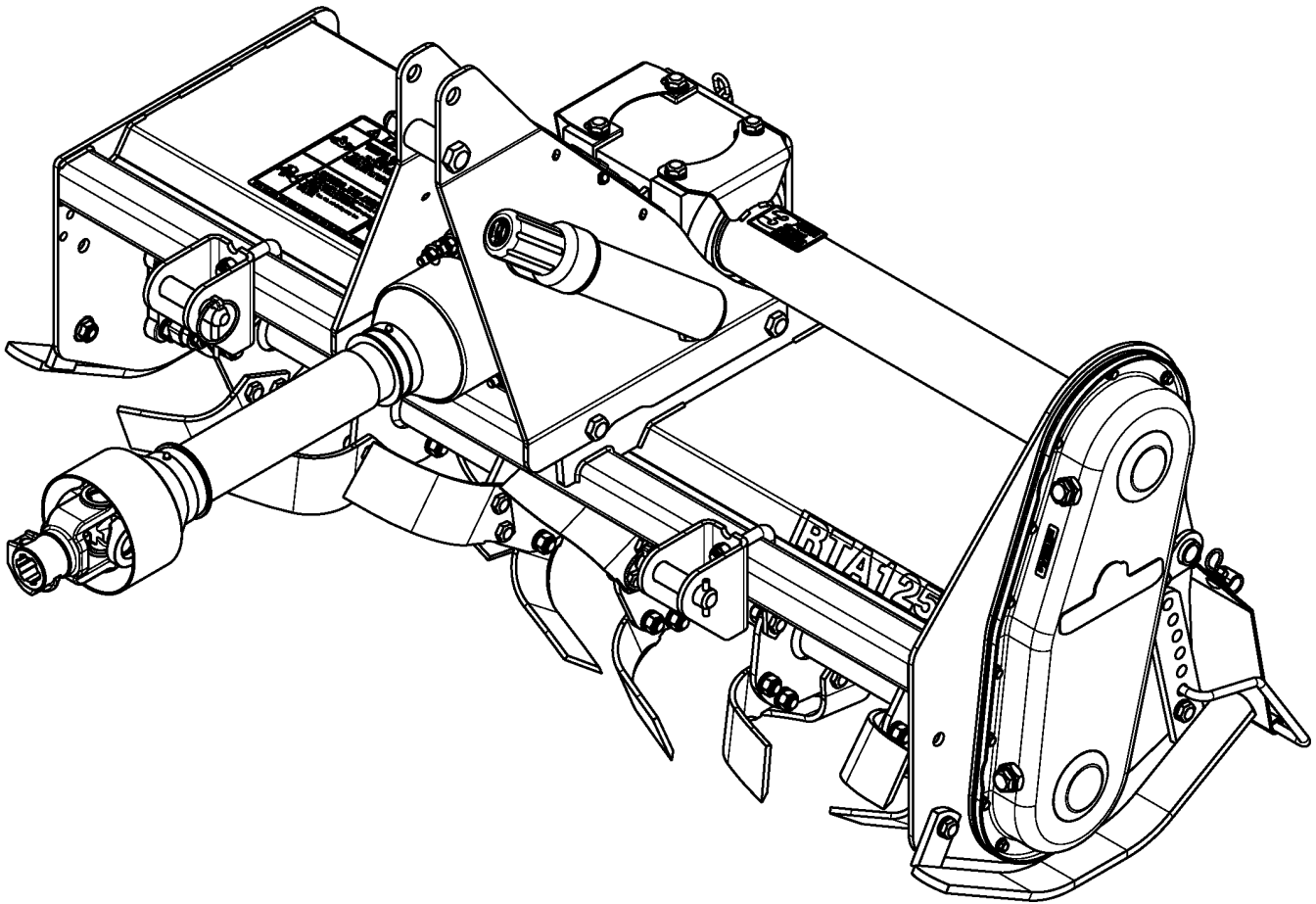


# Rotary Tiller

## RTA12 & RTR12 Series (S/N 884765+)



35950

### 311-883P Parts Manual



Read the Operator's Manual entirely. When you see this symbol, the subsequent instructions and warnings are serious - follow without exception. Your life and the lives of others depend on it!

© Copyright 2015 Printed 10/21/15

Cover photo may show optional equipment not supplied with standard unit.





# Table of Contents

---

**Section 1: Introduction.....4**  
 Using This Manual.....4  
 Manual Replacement Information.....4  
 Manual Revisions.....4  
 Touch-up Paint.....4  
 Hardware Legend.....5  
 Replacement Hardware.....5  
 Serial Numbers.....5  
 Part Number Service Coding.....5

## **RTA12 SERIES S/N 884765+**

**Section 2: Frame.....6**  
 Deflector Rear.....6  
 Frame & Hitch.....8  
**Section 3: Rotor.....11**  
 Rotor Assembly.....12  
**Section 4 : Drive.....14**  
 Drive Components.....14  
 Driveline W/ Slip Clutch (311-753A & 311-884A).....18  
 Gearbox (826-678C) SD.....20  
**Section 5: Labels.....22**  
 Label Placement S/N 978592-.....22  
 Label Placement S/N 978593+.....24

## **RTR12 SERIES S/N 884765+**

**Section 2: Frame.....26**  
 Deflector Front & Rear.....26  
 Frame & Hitch.....28  
**Section 3: Rotor.....31**  
 Rotor Assembly.....32  
**Section 4: Drive.....34**  
 Drive Components.....34  
 Driveline W/ Slip Clutch (311-753A & 311-884A).....38  
 Gearbox (826-678C) SD.....40  
**Section 5: Labels.....42**  
 Label Placement S/N 978592-.....42  
 Label Placement S/N 978593+.....44

**Part Number Index.....46**

© Copyright 2015. All rights reserved.

Land Pride provides this publication “as is” without warranty of any kind, either expressed or implied. While every precaution has been taken in the preparation of this manual, Land Pride assumes no responsibility for errors or omissions. Neither is any liability assumed for damages resulting from the use of the information contained herein. Land Pride reserves the right to revise and improve its products as it sees fit. This publication describes the state of this product at the time of its publication, and may not reflect the product in the future. The illustrations in this manual are not intended for safe and proper assembly or disassembly of equipment. The illustrations are intended for ordering parts only.

Land Pride is registered trademark.

All other brands and product names are trademarks or registered trademarks of their respective holders.

*Printed in the United States of America.*



# Alphabetized Table of Contents

---

## **RTA12 SERIES S/N 884765+**

**D**  
Deflector Rear.....6  
Drive Components..... 14  
Driveline W/ Slip Clutch (311-753A & 311-884A)..... 18

**F**  
Frame & Hitch.....8

**G**  
Gearbox (826-678C) SD.....20

**L**  
Label Placement S/N 978592-.....22  
Label Placement S/N 978593+.....24

**R**  
Rotor Assembly.....12

## **RTR12 SERIES S/N 884765+**

**D**  
Deflector Front & Rear.....26  
Drive Components.....34  
Driveline W/ Slip Clutch (311-753A & 311-884A).....38

**F**  
Frame & Hitch.....28

**G**  
Gearbox (826-678C) SD.....40

**L**  
Label Placement S/N 978592-.....42  
Label Placement S/N 978593+.....44

**R**  
Rotor Assembly.....32

# General Information

## Using This Manual

This manual is divided into sections. The first section contains General Information. The remaining sections divide the machine into segments (i.e. Frames, Drives, Hydraulics, etc.) which illustrate and list all parts. A Parts Number Index is located at the back of the book.

The Land Pride parts in this manual are specially designed for this machine and should be replaced with Land Pride parts only.

The information in this manual is current at time of printing. Some parts may change to assure top performance.

Right-hand and left-hand as used in this manual are determined by facing the direction the machine will travel while in use.

Below is an example of two facing pages from a parts manual. Familiarize yourself with the type of information contained on these pages.

## Manual Replacement Information

Replacement manuals are available. Refer to our website at [www.landpride.com](http://www.landpride.com) or e-mail us at [lit@landpride.com](mailto:lit@landpride.com) for additional information. Our website continues to provide the most up-to-date manuals available.

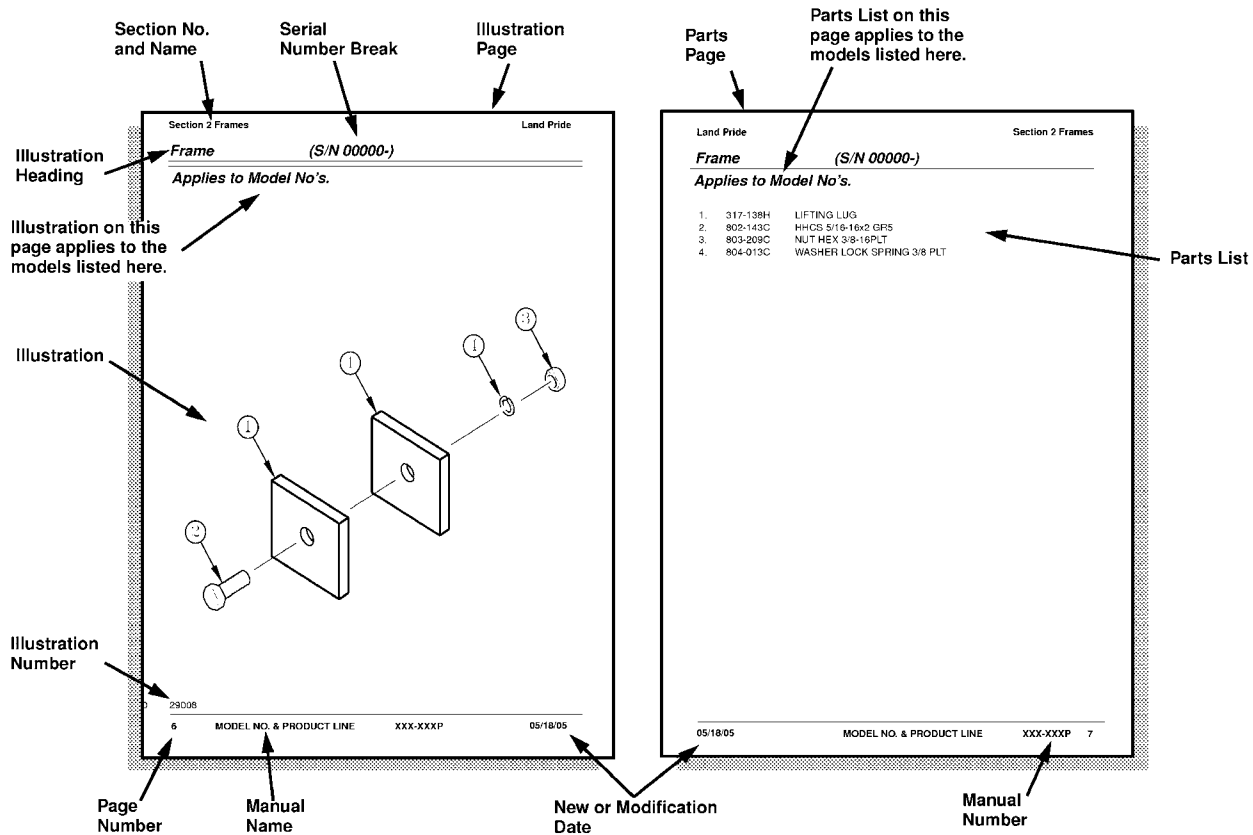
## Touch-up Paint

Repaint parts where paint is worn or scratched to prevent rust. Aerosol cans and touch-up bottles with brush applicator are available through your local dealer. Land Pride color descriptions and part numbers are listed below. Also available are quart and gallon size paints. Add QT or GL to end of the Aerosol P/N.

Color	Product*	Aerosol	Touch-Up
Gloss Black	LP	821-032C	821-032CTU
Beige	LP	821-011C	821-011CTU
Green	SLP	821-058C	821-058CTU
Orange	SLP	821-066C	821-066CTU
Red	SLP	821-054C	821-054CTU
Blue	SLP	821-067C	821-067CTU

Notes:

- \* LP = All Land Pride Products
- SLP = Select Land Pride Products that are available in optional Green, Orange and Red.



## General Information

### Hardware Legend

<b>AR</b>	As Required
<b>BLADE</b>	Blade Bolt
<b>C</b>	Cap Screw
<b>CP</b>	Cotter Pin
<b>CPHSSS</b>	Cup Point Hex Socket Set Screw
<b>CPSHSS</b>	Cup Point Square Head Set Screw
<b>CPSQHSS</b>	Cup Point Square Head Set Screw
<b>CRFCHMS3</b>	Cross Recess Flat Countersunk Head Machine Screw
<b>CRPHMS</b>	Cross Recess Pan Head Machine Screw
<b>CRPHTF</b>	Cross Recess Pan Head Thread Forming
<b>CRRHMS</b>	Cross Recess Round Head Machine Screw
<b>CRTHMS</b>	Cross Recess Truss Head Machine Screw
<b>CSNB</b>	Countersunk Square Neck Bolt
<b>FHMS</b>	Flat Head Machine Screw
<b>FTC</b>	Full Thread Cap Screw
<b>H</b>	Hex Nut
<b>HCLN</b>	Hex Center Lock Nut
<b>HFLCS</b>	Hex Flange Lock Cap Screw
<b>HFS</b>	Hex Flange Screw
<b>HFSLN</b>	Hex Flange Serrated Lock Nut
<b>HFSS</b>	Hex Flange Serrated Screw
<b>HHCS</b>	Hex Head Cap Screw or Metric Bolt
<b>HSBHCS</b>	Hex Socket Button Head Cap Screw
<b>HSFCHCS</b>	Hex Socket Flat Countersunk Head Cap Screw
<b>HSHCS</b>	Hex Socket Head Cap Screw
<b>HSSS</b>	Hex Socket Head Screw
<b>HTLN</b>	Hex Top Lock Nut
<b>HWHCS</b>	Hex Washer Head Cap Screw

<b>HWHMS</b>	Hex Washer Head Machine Screw
<b>HXBHCS</b>	Hex Socket Button Head Cap Screw
<b>J</b>	Hex Jam Nut
<b>JIC</b>	37 Degree Tapered Thread
<b>L</b>	Helical Spring Lock Washer
<b>LUG</b>	Lug Bolt
<b>NFC</b>	National Fine Cap Screw
<b>NPSM</b>	National Pipe Straight Mechanical
<b>NPTF</b>	National Pipe Taper Fuel
<b>P</b>	Wide Plain Washer
<b>PHMS</b>	Pan Head Machine Screw
<b>PLOW</b>	Plow Bolt
<b>RHMS</b>	Round Head Machine Screw
<b>RHSNB</b>	Round Head Square Neck Bolt
<b>SCREW LEVELING</b>	Leveling Screw
<b>SCREW THUMB</b>	Thumb Screw
<b>SCREW WELD</b>	Weld Screw
<b>SFCHMS</b>	Slotted Flat Countersunk Head Machine Screw
<b>SFHMS</b>	Slotted Fillister Head Machine Screw
<b>SP</b>	Special
<b>SP SCREW</b>	Special Screw
<b>SQHSS</b>	Square Head Set Screw
<b>SRHMS</b>	Slotted Round Head Machine Screw
<b>SSS</b>	Socket Set Screw
<b>STCS</b>	Self Tapping Cap Screw
<b>STHMS</b>	Slotted Truss Head Machine Screw
<b>WHEEL</b>	Wheel Studs and Hub Long Bolts
<b>WING</b>	Wing Bolt

### Replacement Hardware

The **Hardware Legend** above lists hardware abbreviations used in the parts list. All bolts and nuts are Grade 5 unless otherwise noted. The use of improper grades of hardware can result in personal injury, damage to equipment, or loss of property.

### Colored Replacement Parts

Land Pride offers replacement parts in factory standard colors and also on select models in Green, Orange, Red and Blue. Because of the variety of colors available, special attention must be given to the part number to prevent ordering the wrong replacement part.

A suffix number corresponding to one of the colors below must be added at the end of Land Pride's part number when ordering a replacement part with that color.

**81 . . . . . Green      83 . . . . . Red**  
**82 . . . . . Orange    84 . . . . . Blue**

For example, if you are ordering a replacement part with part number 555-555C and the part you need is red, then add the suffix 83 to the end of the number to make the part number read 555-555C83. Parts ordered without a suffix number will be supplied in factory standard colors.

### Black Replacement Parts

Some parts are factory standard black and some must be special ordered black. If your part is special ordered black, a second part number with the additional suffix number 85 on the end will be available. In this situation you must order that part with the suffix number for it to be black. Parts that are factory standard black will not have the suffix number.

### Part Number Service Coding

Within the parts list some part numbers are coded for revisions and interchangeability. See notations in revision column.

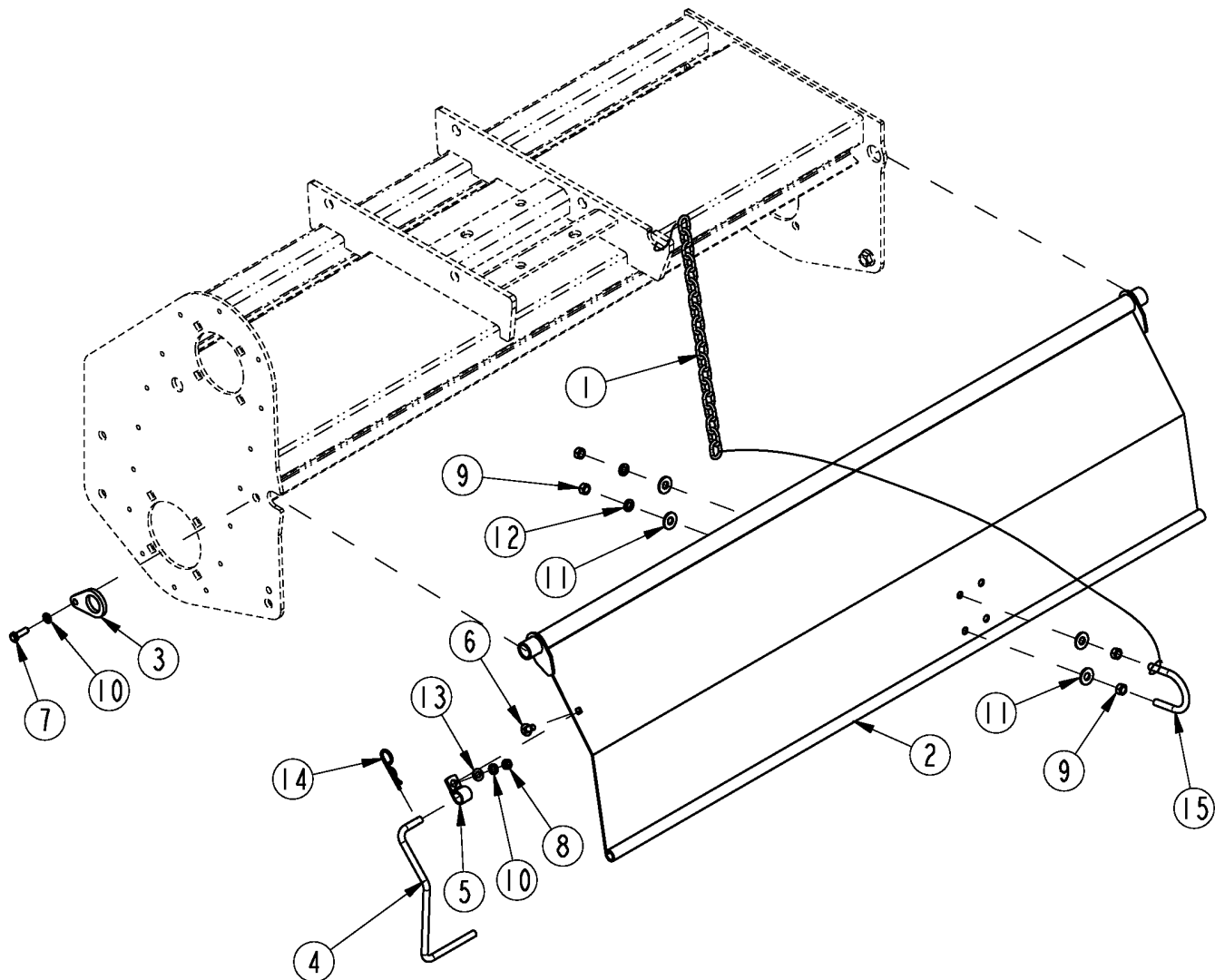
### Serial Numbers

Always use the serial and model number when ordering parts. Refer to the Operator's Manual for serial number plate location.

- (S/N 20001+)                      Includes serial numbers 20001 and above (to the latest number)
- (S/N 10001 to 20000)           Includes serial numbers between and including 10001 and 20000
- (S/N 10000-)                      Includes serial numbers 10000 and below (to the earliest number)

### Deflector Rear

Applies to RTA1242 S/N 884765+, RTA1250 S/N 884765+, RTA1258 S/N 884765+, RTA1266 S/N 884765+, RTA1274 S/N 884765+



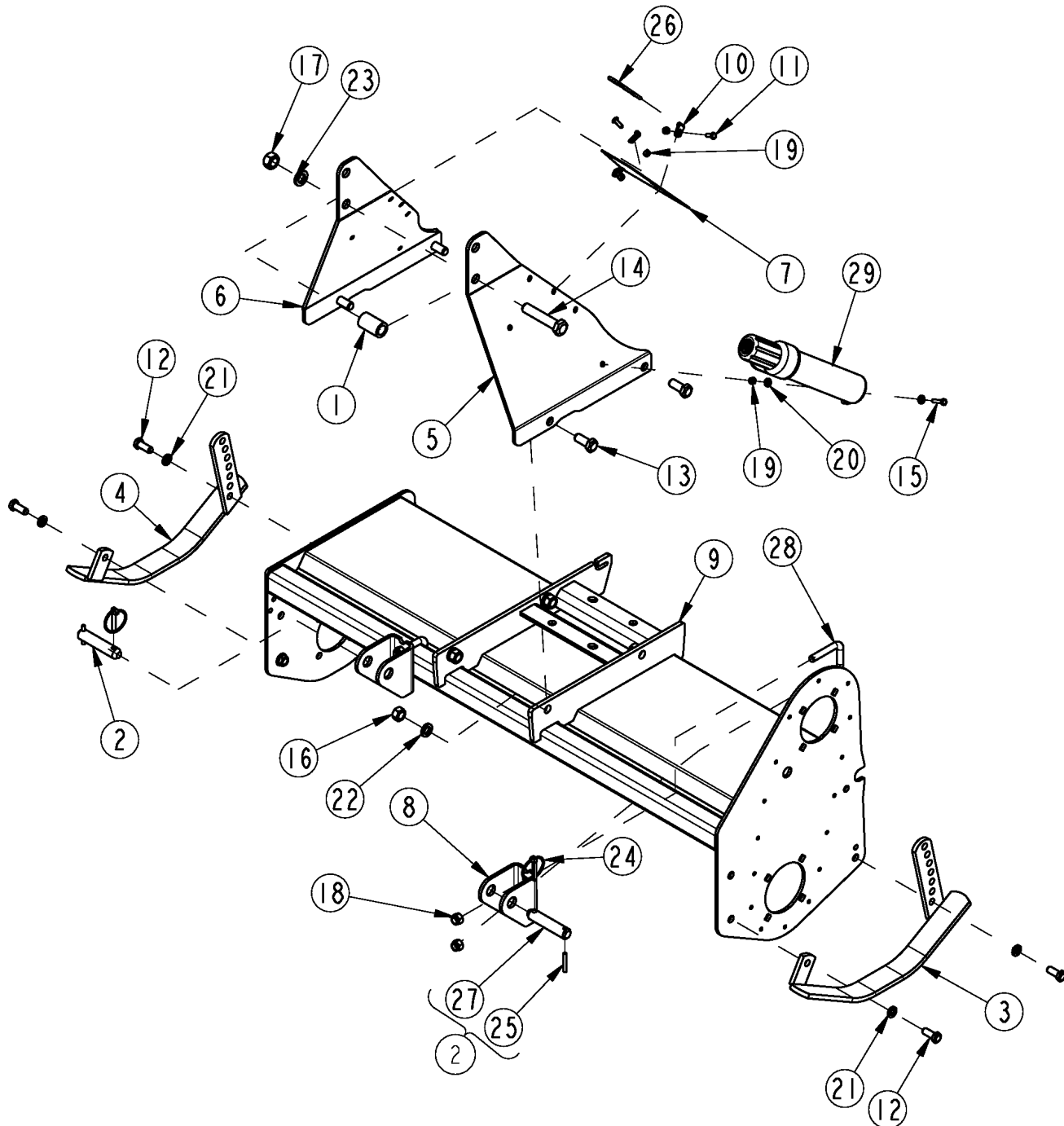
35940

**Deflector Rear****Applies to RTA1242 S/N 884765+, RTA1250 S/N 884765+, RTA1258 S/N 884765+, RTA1266 S/N 884765+,**

Ref	Part No.	Part Description	Comments	Revision
	dwg35940	Drawing Image Number		
1.	311-077D	REAR DEFLECTOR CHAIN 10/15		
2.	311-430H	TAILGATE WELDMENT	RTA1542	
2.	311-430H81	TAILGATE WELDMENT GREEN		
2.	311-430H82	TAILGATE WELDMENT ORANGE		
2.	311-430H83	TAILGATE WELDMENT RED		
2.	311-445H	TAILGATE WELDMENT	RTA1550	
2.	311-445H81	TAILGATE WELDMENT GREEN		
2.	311-445H82	TAILGATE WELDMENT ORANGE		
2.	311-445H83	TAILGATE WELDMENT RED		
2.	311-449H	TAILGATE WELDMENT	RTA1558	
2.	311-449H81	TAILGATE WELDMENT GREEN		
2.	311-449H82	TAILGATE WELDMENT ORANGE		
2.	311-449H83	TAILGATE WELDMENT RED		
2.	311-699H	WLDMNT, 15 SERIES 66" TAILGATE	RTA1566	
2.	311-699H81	WLDMNT, GREEN 66" TAILGATE		
2.	311-699H82	WLDMNT, ORANGE 66" TAILGATE		
2.	311-699H83	WLDMNT, RED 66" TAILGATE		
2.	311-700H	WLDMNT, 15 SERIES 74" TAILGATE	RTA1574	
2.	311-700H81	WLDMNT, GREEN 74" TAILGATE		
2.	311-700H82	WLDMNT, ORANGE 74" TAILGATE		
2.	311-700H83	WLDMNT, RED 74" TAILGATE		
3.	311-663D	TAILGATE LOCK 10 & 15 SERIES		
4.	311-823D	TAILGATE STAND SUPPORT		
5.	800-052C	HOSE CLIP 5/8 I.D.		
6.	802-092C	RHSNB 5/16-18X3/4 GR5		
7.	802-738C	HHCS 5/16-18X1 GR5 ZNYCR		
8.	803-008C	NUT HEX 5/16-18 PLT		
9.	803-014C	NUT HEX 3/8-16 PLT		
10.	804-009C	WASHER LOCK SPRING 5/16 PLT		
11.	804-011C	WASHER FLAT 3/8 USS PLT		
12.	804-013C	WASHER LOCK SPRING 3/8 PLT		
13.	804-036C	WASHER FLAT 5/16 SAE PLT		
14.	805-143C	PIN HAIR COTTER .120 PLT		
15.	806-049C	U-BOLT 3/8-16 X2 1/32X2 5/8SPL		

### Frame & Hitch

Applies to RTA1242 S/N 884765+, RTA1250 S/N 884765+, RTA1258 S/N 884765+, RTA1266 S/N 884765+, RTA1274 S/N 884765+



35942



**Frame & Hitch****Applies to RTA1242 S/N 884765+, RTA1250 S/N 884765+, RTA1258 S/N 884765+, RTA1266 S/N 884765+,**

Part No.	Part Description	Comments	Revision
	dwg35942	Drawing Image Number	
1.	308-400D	SPACER 1 1/4OD X 13/16ID X 2LG	
2.	310-020S	LOWER HITCH PIN	
3.	311-006H	LH SKIDSHOE RTA10/15/20 RTR20	
3.	311-006H81	LH SKIDSHOE GREEN	
3.	311-006H82	LH SKIDSHOE ORANGE	
3.	311-006H83	LH SKIDSHOE RED	
4.	311-007H	RH SKIDSHOE RTA10/15/20 RTR20	
4.	311-007H81	RH SKIDSHOE GREEN	
4.	311-007H82	RH SKIDSHOE ORANGE	
4.	311-007H83	RH SKIDSHOE RED	
5.	311-798D	3PT TOP LH RTA12	
5.	311-798D81	3PT TOP LH RTA12 GREEN	
5.	311-798D82	3PT TOP LH RTA12 ORANGE	
5.	311-798D83	3PT TOP LH RTA12 RED	
6.	311-799D	3PT TOP RH RTA12	
6.	311-799D81	3PT TOP RH RTA12 GREEN	
6.	311-799D82	3PT TOP RH RTA12 ORANGE	
6.	311-799D83	3PT TOP RH RTA12 RED	
7.	311-800D	SHIELD DRVLN RTA12	
7.	311-800D81	SHIELD DRVLN RTA12 GREEN	
7.	311-800D82	SHIELD DRVLN RTA12 ORANGE	
7.	311-800D83	SHIELD DRVLN RTA12 RED	
8.	311-808D	HITCH LOWER 3PT RTA12	
8.	311-808D81	HITCH LOWER 3PT RTA12 GREEN	
8.	311-808D82	HITCH LOWER 3PT RTA12 ORANGE	
8.	311-808D83	HITCH LOWER 3PT RTA12 RED	
9.	311-829H	WLDMNT, 42" RTA12 FRAME	RTA1542
9.	311-829H81	WLDMNT, 42" RTA12 FRAME GREEN	
9.	311-829H82	WLDMNT, 42" RTA12 FRAME ORANGE	
9.	311-829H83	WLDMNT, 42" RTA12 FRAME RED	
9.	311-830H	WLDMNT, 50" RTA12 FRAME	RTA1550
9.	311-830H81	WLDMNT, 50" RTA12 FRAME GREEN	
9.	311-830H82	WLDMNT, 50" RTA12 FRAME ORANGE	
9.	311-830H83	WLDMNT, 50" RTA12 FRAME RED	
9.	311-831H	WLDMNT, 58" RTA12 FRAME	RTA1558
9.	311-831H81	WLDMNT, 58" RTA12 FRAME GREEN	
9.	311-831H82	WLDMNT, 58" RTA12 FRAME ORANGE	
9.	311-831H83	WLDMNT, 58" RTA12 FRAME RED	
9.	311-832H	WLDMNT, 66" RTA12 FRAME	RTA1566
9.	311-832H81	WLDMNT, 66" RTA12 FRAME GREEN	
9.	311-832H82	WLDMNT, 66" RTA12 FRAME ORANGE	
9.	311-832H83	WLDMNT, 66" RTA12 FRAME RED	
9.	311-833H	WLDMNT, 74" RTA12 FRAME	RTA1574
9.	311-833H81	WLDMNT, 74" RTA12 FRAME GREEN	
9.	311-833H82	WLDMNT, 74" RTA12 FRAME ORANGE	
9.	311-833H83	WLDMNT, 74" RTA12 FRAME RED	
10.	800-347C	WIRING/TUBE CLIP FOR 1/4 OD	
11.	802-004C	HHCS 1/4-20X3/4 GR5	
12.	802-034C	HHCS 1/2-13X1 1/4 GR5	
13.	802-051C	HHCS 5/8-11X1 1/2 GR5	
14.	802-204C	HHCS 3/4-10X3 3/4 GR5	
15.	802-224C	HHCS 1/4-20X1 1/4 GR5	
16.	803-021C	NUT HEX 5/8-11 PLT	
17.	803-027C	NUT HEX 3/4-10 PLT	
18.	803-147C	NUT HEX NYLOCK 1/2-13	
19.	803-255C	NUT HEX NYLOCK 1/4-20	
20.	804-007C	WASHER FLAT 1/4 SAE PLT	

## **Frame & Hitch (continued)**

**Applies to RTA1242 S/N 884765+, RTA1250 S/N 884765+, RTA1258 S/N 884765+, RTA1266 S/N 884765+, RTA1274**

<b>S/N 884765+ Part No.</b>	<b>Part Description</b>	<b>Comments</b>	<b>Revision</b>
21. 804-015C	WASHER LOCK SPRING 1/2 PLT		
22. 804-022C	WASHER LOCK SPRING 5/8 PLT		
23. 804-023C	WASHER LOCK SPRING 3/4 PLT		
24. 805-015C	PIN LINCH 5/16 X 1 3/4		
25. 805-041C	PIN ROLL 1/4X1 3/4		
26. 805-143C	PIN HAIR COTTER .120 PLT		
27. 805-198C	PIN CLVS HDLS .88X3.08 USBL		
28. 806-005C	U-BOLT 1/2-13 X 2 X 3 GR 5		
29. 816-504C	MANUAL STORAGE CONTAINER		

***Frame & Hitch (continued)***

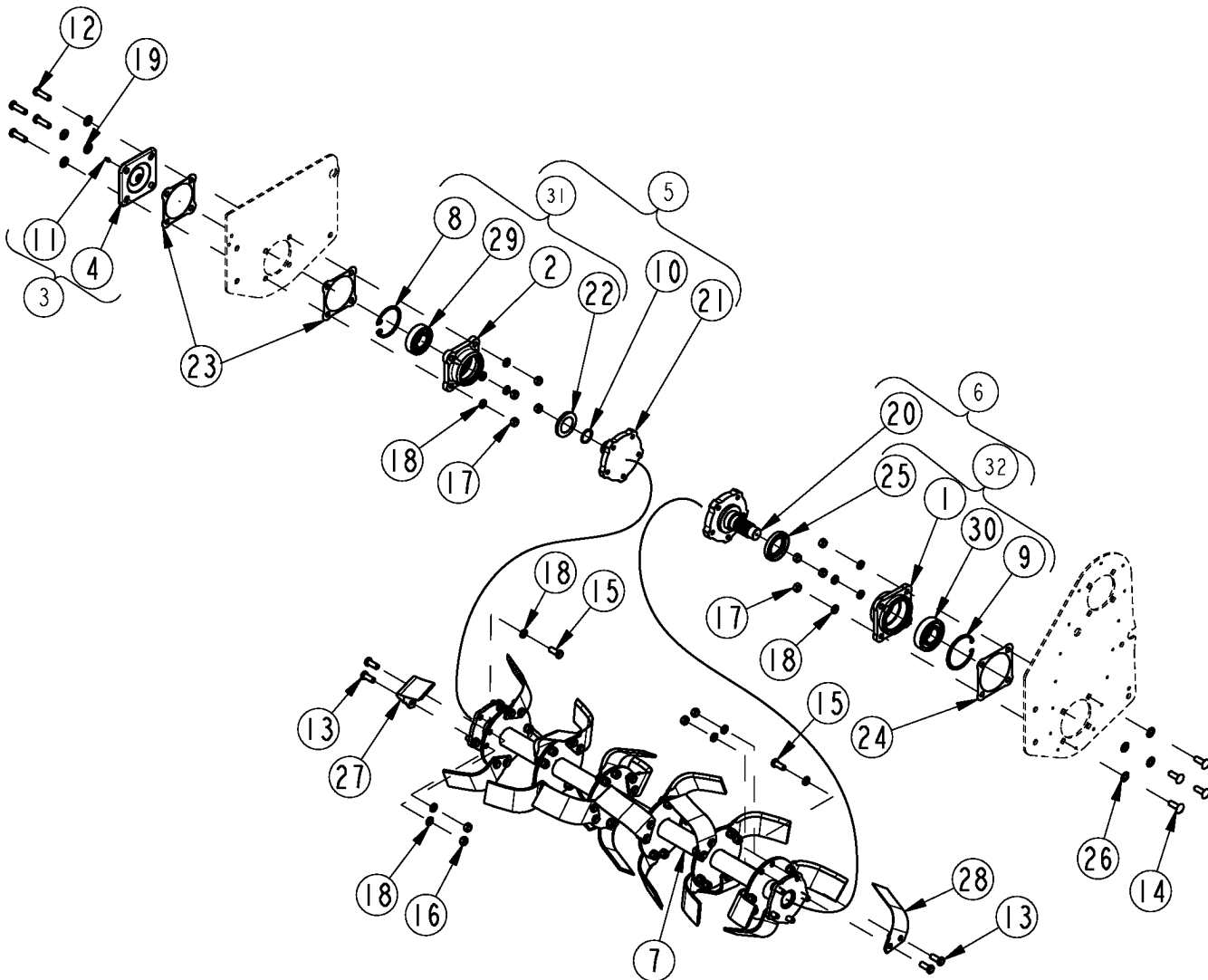
---

Applies to RTA1242 S/N 884765+, RTA1250 S/N 884765+, RTA1258 S/N 884765+, RTA1266 S/N 884765+, RTA1274 S/N 884765+

***This Page Intentionally Left Blank***

## Rotor Assembly

Applies to RTA1242 S/N 884765+, RTA1250 S/N 884765+, RTA1258 S/N 884765+, RTA1266 S/N 884765+, RTA1274 S/N 884765+



35943

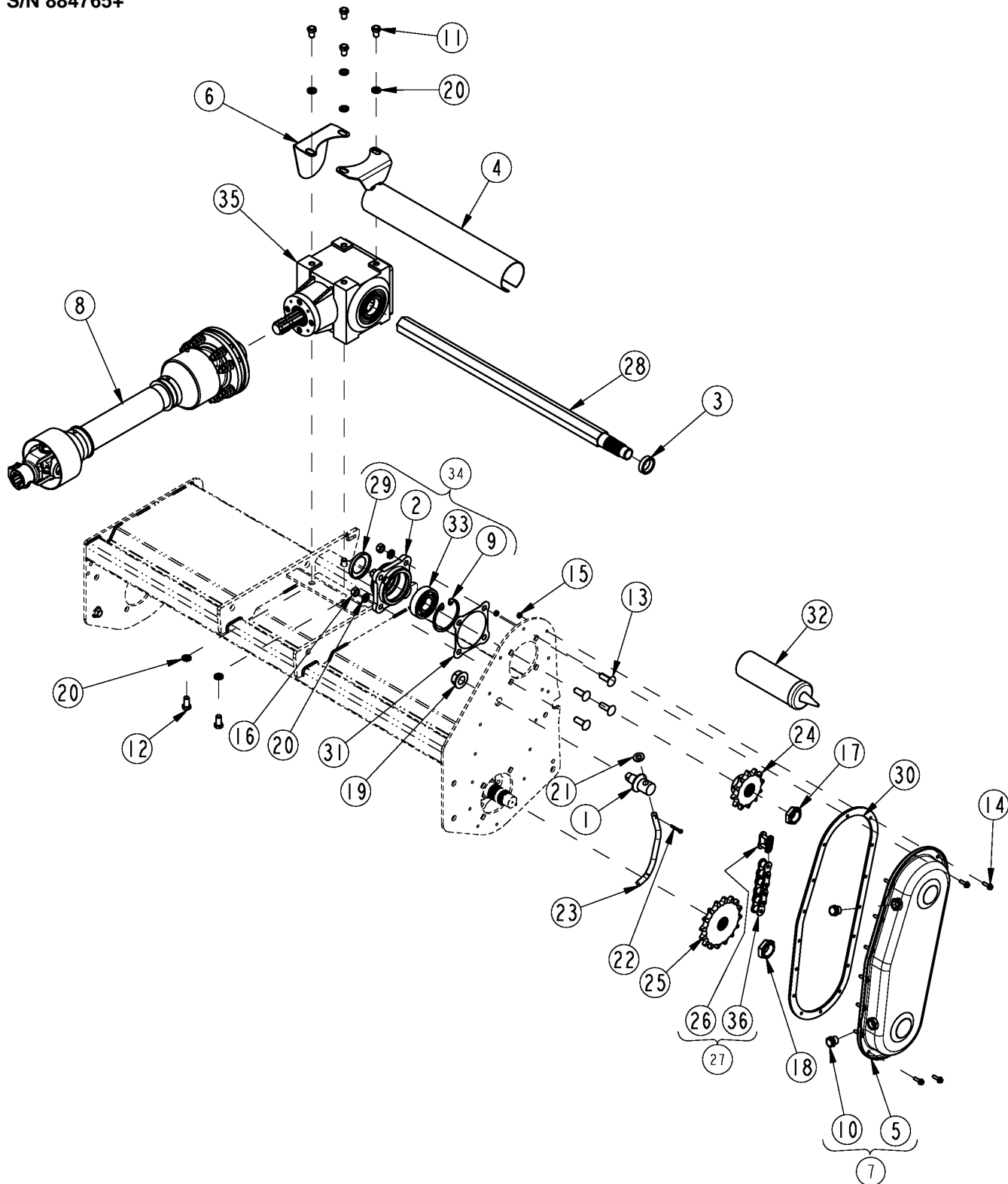
## Rotor Assembly

**Applies to RTA1242 S/N 884765+, RTA1250 S/N 884765+, RTA1258 S/N 884765+, RTA1266 S/N 884765+,**

Part No.	Part Description	Comments	Revision
dwg35943	Drawing Image Number		
1. 822-256C	HSG, 1.57ID X 4 BOLT,2.0 SEAL		
2. 822-255C	HSG, 1.37ID X 4 BOLT,1.75 SEAL		
3. 311-135S	CVR NON-DRV LWR W/ZRK RTA/R		
4. 311-205D	COVER NON-DRV LWR		
5. 311-357K	HSG NON-DRV W/STUB ASY		
6. 311-358K	HSG DRV W/STUB ASY		
7. 311-796H	ROTOR SHAFT W/LDMNT 42	RTA1242	
7. 311-798H	ROTOR SHAFT W/LDMNT 50	RTA1250	
7. 311-800H	ROTOR SHAFT W/LDMNT 58	RTA1258	
7. 311-802H	ROTOR SHAFT W/LDMNT 66	RTA1266	
7. 311-804H	ROTOR SHAFT W/LDMNT 74	RTA1274	
8. 800-053C	SNAP RING INT3.523OD N5000-315		
9. 800-078C	SNAP RING INT 90 MM		
10. 800-079C	SNAP RING EXT 1 3/8 5100-137		
11. 800-080C	GREASE ZERK 1/4-28 THD FORMING		
12. 802-082C	HHCS 1/2-13X1 3/4 GR5		
13. 802-326C	HHCS 1/2-20X1 1/4 GR5		
14. 802-477C	RHSSNB 1/2-13X1 1/2 GR5		
15. 802-580C	HHCS 1/2-13X1 1/4 GR8		
16. 803-018C	NUT HEX 1/2-20 PLT		
17. 803-020C	NUT HEX 1/2-13 PLT		
18. 804-015C	WASHER LOCK SPRING 1/2 PLT		
19. 804-094C	WASHER FLAT 1/2 HARD ASTM F436		
20. 815-130C	DRIVE STUB 20 SERIES TILLER		
21. 815-131C	NONDRIVE STUB 20 SERIES TILLER		
22. 816-068C	SEAL 1.75 X 2.75 X .313		
23. 816-070C	GASKET HSG 10/15 TILLER		
24. 816-071C	GASKET 15 TILLER LH BOTTOM		
25. 816-084C	SEAL 2 X 3.1875 X 0.469		
26. 816-280C	GASKET 1.03OD.515SQ.HL1/32THK		
27. 820-329C	TILLER BLADE 05 & 12 SERIES LH	RTA1242 10 EA., RTA1250 12 EA., RTA1258 14 EA., RTA1266 16 EA. & RTA1274 18 EA.	
28. 820-330C	TILLER BLADE 05 & 12 SERIES RH	RTA1242 10 EA., RTA1250 12 EA., RTA1258 14 EA., RTA1266 16 EA. & RTA1274 18 EA.	
29. 822-082C	BRG BALL 1.37IDX3.14ODX.82 307		
30. 822-084C	BRG BALL 1.57IDX3.54ODX.90 308		
31. 822-255C	HSG, 1.37ID X 4 BOLT,1.75 SEAL		
32. 822-256C	HSG, 1.57ID X 4 BOLT,2.0 SEAL		

**Drive Components**

Applies to RTA1242 S/N 884765+, RTA1250 S/N 884765+, RTA1258 S/N 884765+, RTA1266 S/N 884765+, RTA1274 S/N 884765+



35945

**Drive Components****Applies to RTA1242 S/N 884765+, RTA1250 S/N 884765+, RTA1258 S/N 884765+, RTA1266 S/N 884765+,**

Part No.	Part Description	Comments	Revision
	dwg35945	Drawing Image Number	
1.	308-171D	CHAIN TENSIONER ADJUSTER	
2.	822-254C	HSG, 1.37ID X 4 BOLT,1.75 SEAL	
3.	311-054D	SPACER 1.38IDX1.75ODX.50L PLT	
4.	3311-440H	DRIVE SHAFT GUARD 42" WLDMT	RTA1242
4.	311-440H81	DRIVE SHAFT GUARD 42 WLD GREEN	
4.	311-440H82	DRIVE SHFT GUARD 42 WLD ORANGE	
4.	311-440H83	DRIVE SHAFT GUARD 42 WLD RED	
4.	311-446H	DRIVE SHAFT GUARD 50" WLDMT	RTA1250
4.	311-446H81	DRIVE SHAFT GUARD 50 WLD GREEN	
4.	311-446H82	DRIVE SHFT GUARD 50 WLD ORANGE	
4.	311-446H83	DRIVE SHAFT GUARD 50 WLD RED	
4.	311-450H	DRIVE SHAFT GUARD 58" WLDMT	RTA1258
4.	311-450H81	DRIVE SHAFT GUARD 58 WLD GREEN	
4.	311-450H82	DRIVE SHFT GUARD 58 WLD ORANGE	
4.	311-450H83	DRIVE SHAFT GUARD 58 WLD RED	
4.	311-751H	WLDNMT, 66" DRIVE SHAFT GUARD	RTA1266
4.	311-751H81	WLDNMT, GREEN 66" DRV SHFT GRD	
4.	311-751H82	WLDNMT, ORNG 66" DRV SHFT GRD	
4.	311-751H83	WLDNMT, RED 66" DRV SHFT GRD	
4.	311-752H	WLDNMT, 74" DRIVE SHAFT GUARD	RTA1274
4.	311-752H81	WLDNMT, GREEN 74" DRV SHFT GRD	
4.	311-752H82	WLDNMT, ORNG 74" DRV SHFT GRD	
4.	311-752H83	WLDNMT, RED 74" DRV SHFT GRD	
5.	311-458H	WLDNMT, 10/15 TILLER CHN CASE	
5.	311-458H81	WMT, CHAIN CASE GREEN	
5.	311-458H82	WMT31, CHAIN CASE ORANGE	
5.	311-458H83	WMT, CHAIN CASE RED	
6.	311-583D	DRIVE COVER	
6.	311-583D81	DRIVE COVER GREEN	
6.	311-583D82	DRIVE COVER ORANGE	
6.	311-583D83	DRIVE COVER RED	
7.	311-721S	ASSY, 10/15 TILLER CHAIN CASE	
7.	311-721S81	ASSY, 10/15 TILLER CHAIN CASE	
7.	311-721S82	ASSY, 10/15 TILLER CHAIN CASE	
7.	311-721S83	ASSY, 10/15 TILLER CHAIN CASE	
8.	311-753A	DRVLN, 12 SERIES SLIP CLTCH	
8.	311-884A	DRVLN B/BX,12 SER. SLIP CLTCH	
9.	800-053C	SNAP RING INT3.523OD N5000-315	
10.	800-066C	DRAIN PLUG 3/4-16 UNF PLATED	
11.	802-032C	HHCS 1/2-13X3/4 GR5	
12.	802-258C	HHCS 1/2-13X1 GR5	
13.	802-477C	RHSSNB 1/2-13X1 1/2 GR5	
14.	802-719C	HFSS 1/4-20X7/8 GR5	
15.	803-007C	NUT LOCK 1/4-20 PLT	
16.	803-020C	NUT HEX 1/2-13 PLT	
17.	803-153C	NUT LT JAM 1 1/8-12 NYLN INSRT	
18.	803-155C	NUT LT JAM 1 1/4-12 NYLN INSRT	
19.	803-157C	NUT HEX FLANGE 7/8-14 UNF PLT	
20.	804-015C	WASHER LOCK SPRING 1/2 PLT	
21.	804-016C	WASHER FLAT 1/2 SAE PLT	
22.	805-069C	PIN COTTER 3/16 X 1	
23.	807-062C	CHAIN TIGHTENER 10/15 TILR	
24.	808-092C	SPKT 80B12 1 3/8-21	
25.	808-093C	SPKT 80B16 16/32-23 SPLINE	
26.	809-089C	CONNECTOR #80 HIGH TENSILE	
27.	809-232C	CHAIN RL #80X44 PITCH HT	
28.	815-254C	DRIVE SHAFT RTR1042	RTA1242

## ***Drive Components (continued)***

**Applies to RTA1242 S/N 884765+, RTA1250 S/N 884765+, RTA1258 S/N 884765+, RTA1266 S/N 884765+, RTA1274**

<b>S/N 884765+ Part No.</b>	<b>Part Description</b>	<b>Comments</b>	<b>Revision</b>
28. 815-028C	DRIVE SHAFT 1550 TILLER	RTA1250	
28. 815-027C	SHAFT, 1.5X35.63 HEX DRIVE	RTA1258	
28. 815-362C	SHAFT, 1.5X39.63 HEX DRIVE	RTA1266	
28. 815-363C	SHAFT, 1.5X43.63 HEX DRIVE	RTA1274	
29. 816-068C	SEAL 1.75 X 2.75 X .313		
30. 816-069C	GASKET CHAIN GRD 10/15 TILR		
31. 816-070C	GASKET HSG 10/15 TILLER		
32. 821-045C	GRS SHELL GADUS S2 V22000 32OZ		
33. 822-082C	BRG BALL 1.37IDX3.14ODX.82 307		
34. 822-254C	HSG, 1.37ID X 4 BOLT,1.75 SEAL		
35. 826-678C	GEARBOX, 1.92:1 RATIO HEX BORE		
36. N/A	CHAIN ROLLER #80		



## ***Drive Components (continued)***

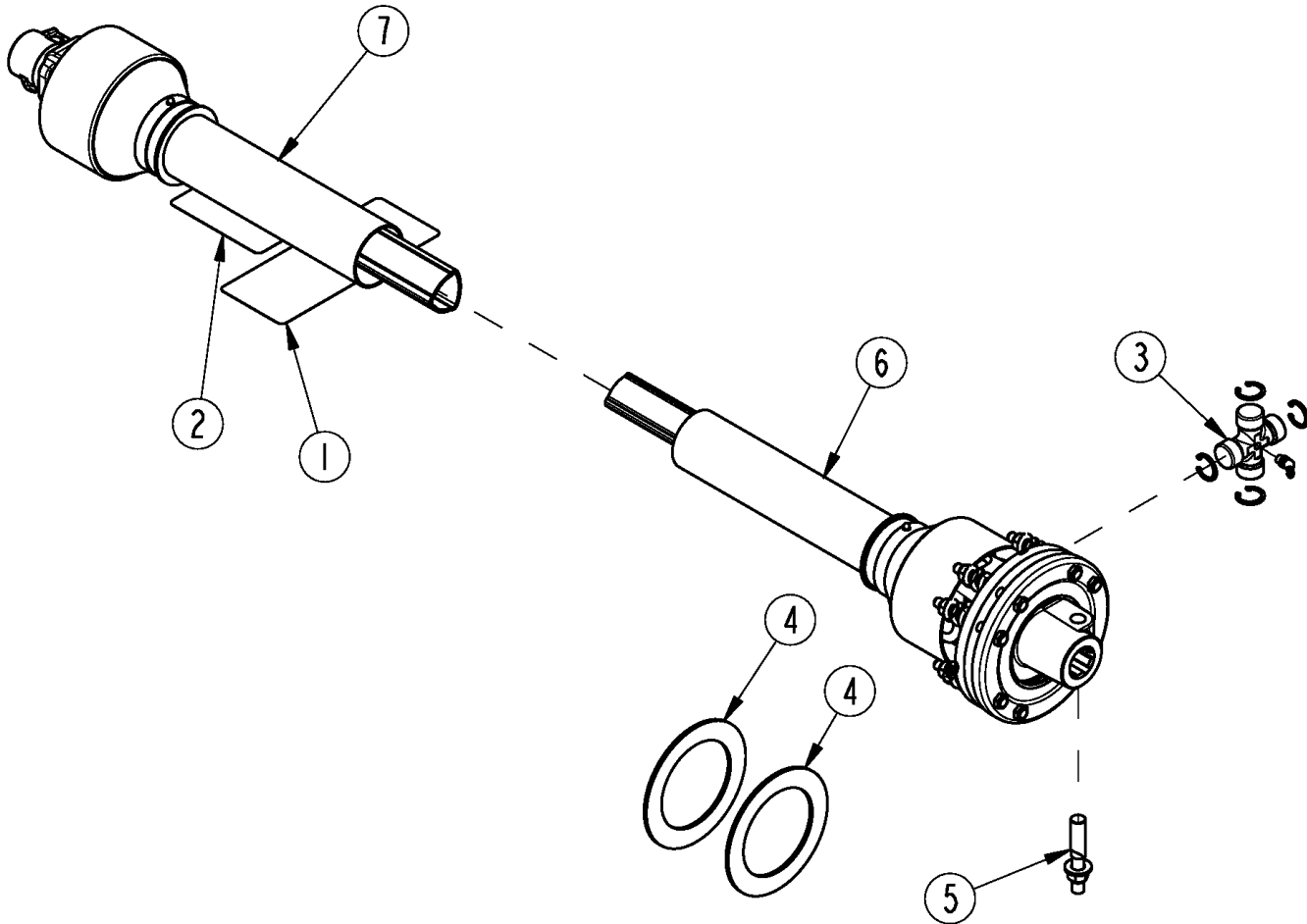
---

Applies to RTA1242 S/N 884765+, RTA1250 S/N 884765+, RTA1258 S/N 884765+, RTA1266 S/N 884765+, RTA1274 S/N 884765+

***This Page Intentionally Left Blank***

**Driveline W/ Slip Clutch (311-753A & 311-884A)**

Applies to RTA1242 S/N 884765+, RTA1250 S/N 884765+, RTA1258 S/N 884765+, RTA1266 S/N 884765+, RTA1274 S/N 884765+

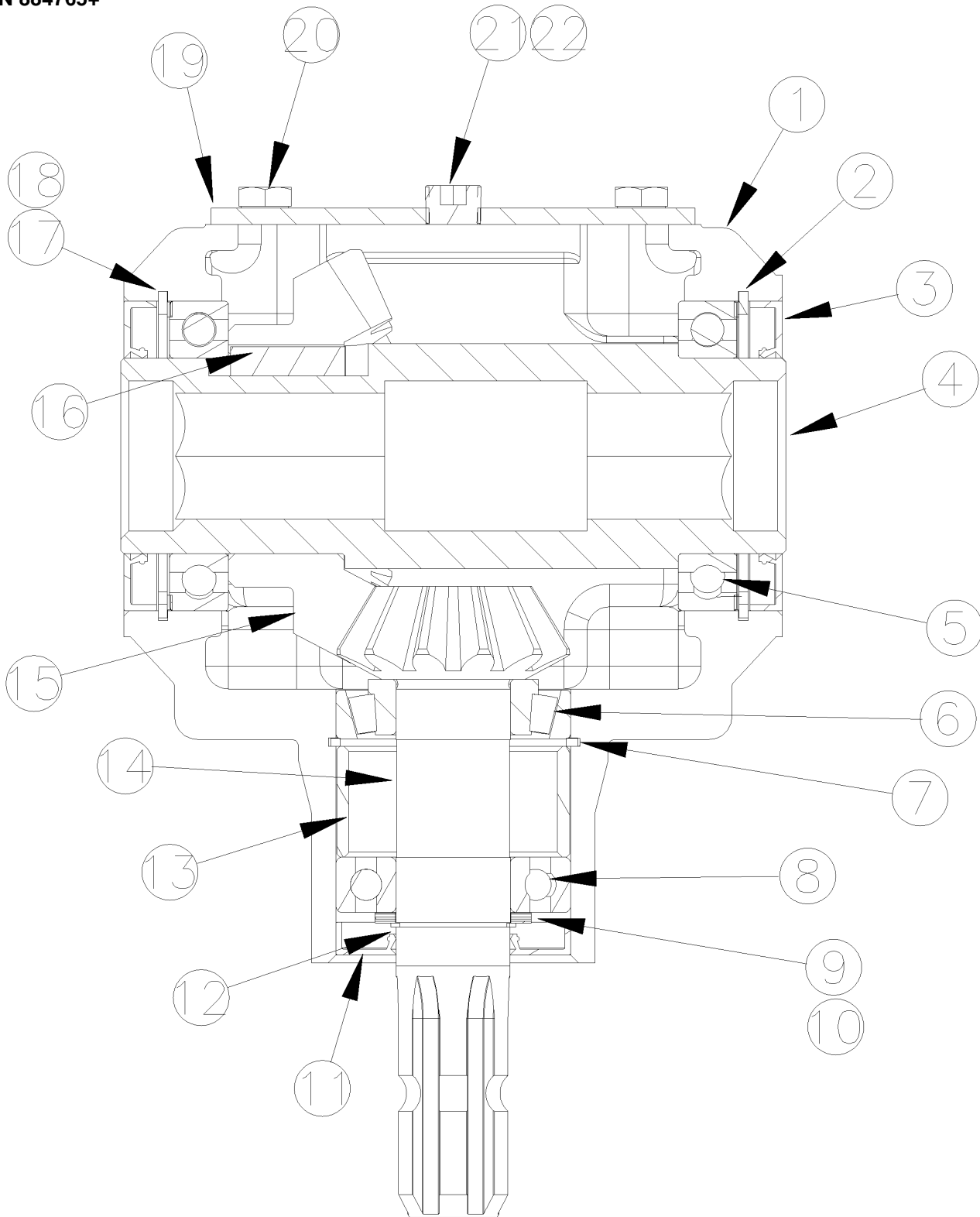


**Driveline W/ Slip Clutch (311-753A & 311-884A)****Applies to RTA1242 S/N 884765+, RTA1250 S/N 884765+, RTA1258 S/N 884765+, RTA1266 S/N 884765+,**

Ref	Part No.	Part Description	Comments	Revision
	dwg30376	Drawing Image Number		
	311-753A	DRVLN, 12 SERIES SLIP CLTCH		
	311-884A	DRVLN B/BX,12 SER. SLIP CLTCH		
		*		
1.	818-540C	DECAL DANGER GUARD MISS PTO		
2.	818-552C	DECAL DANGER PTO DRIVELINE		
3.	1004020	EC CROSS ASSEMBLY ( U JOINT)		
4.	GRI-4SC003	VULCAN FRICTION DISC		
5.	GRI-4SP004	BOLT, CONICAL DOG		
6.	311-790A	DRVLN, 311-753A REAR HALF		
7.	311-789A	DRVLN, 311-753A FRONT HALF		

### Gearbox (826-678C) SD

Applies to RTA1242 S/N 884765+, RTA1250 S/N 884765+, RTA1258 S/N 884765+, RTA1266 S/N 884765+, RTA1274 S/N 884765+



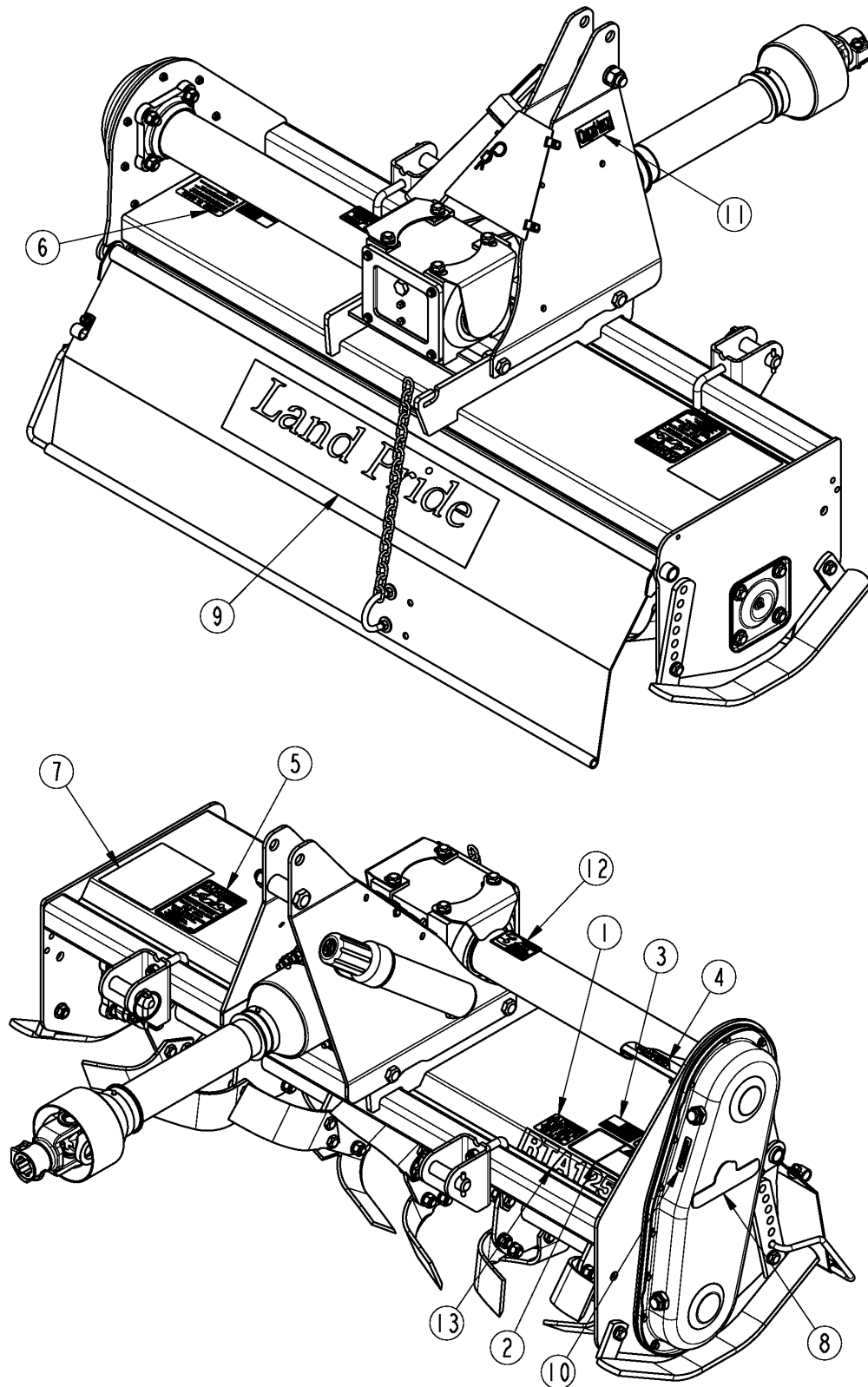
35111

**Gearbox (826-678C) SD****Applies to RTA1242 S/N 884765+, RTA1250 S/N 884765+, RTA1258 S/N 884765+, RTA1266 S/N 884765+,**

Part No.	Part Description	Comments	Revision
dwg35111	Drawing Image Number		
826-678C	GEARBOX, 1.92:1 RATIO HEX BORE		
1. 18-218	SD GB HOUSING		
2. 21-104	SD 95 RETAINING RING		
3. 0.267.7104.00	CO SEAL DOUBLE LIP 60X95X10		
4. 02-341	SD OUTPUT SHAFT		
5. 04-211	SD 60X95X18 BALL BRG		
6. 04-081	SD 30207 TAPERED BRG		
7. 21-004	ITG RETAINING RING		
8. 822-166C	BRG BALL 1.37IDX2.83OD 6207		
9. 17-103	SD SHIM (0.50)		
10. 17-104	SD SHIM (0.70)		
11. 05-010	ITG INPUT SEAL		
12. 21-105	SD 35DIA EXT RETAINING RING		
13. 10-216	SD OUTPUT SPACER		
14. 03-348	SD 12 TOOTH PINION & SHAFT		
15. 03-349	SD 23 TOOTH GEAR		
16. 14-102	SD 14X9X35 KEY		
17. 17-101	SD OUTPUT SHIM (0.50)		
18. 17-102	SD OUTPUT SHIM (1.0)		
19. 20-217	SD INSPECTION CAP		
20. 06-010	SD M10X1.5X20 HEX HEAD BOLT		
21. 09-052	SD 3/8-19NPT SQ HEAD PLUG	2 Required	
22. 09-107	SD 3/8-18 NPT BREATHER PLUG	1 Required	

**Label Placement S/N 978592-**

Applies to RTA1242 S/N 884765+, RTA1250 S/N 884765+, RTA1258 S/N 884765+, RTA1266 S/N 884765+, RTA1274 S/N 884765+



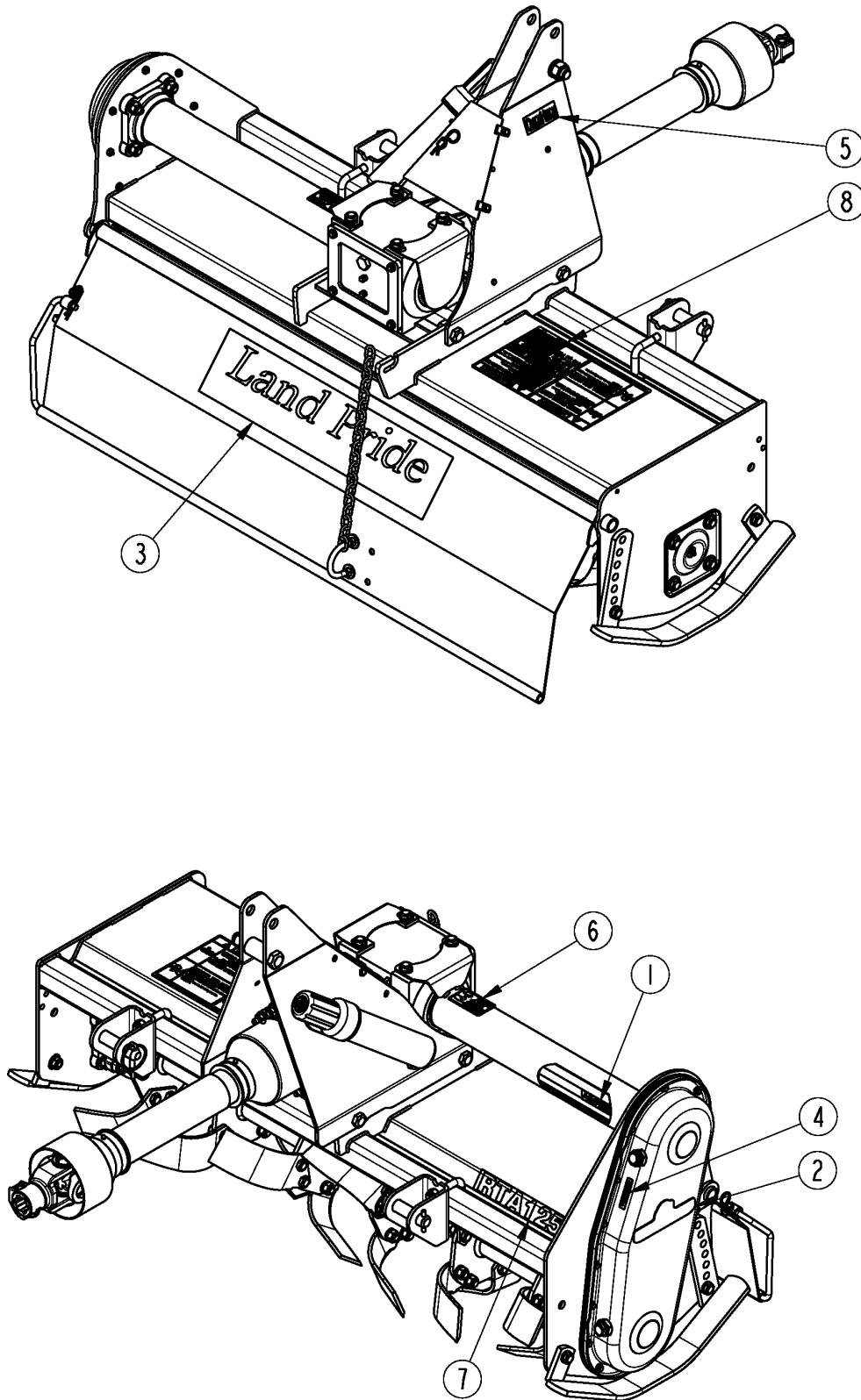
35947

**Label Placement S/N 978592-****Applies to RTA1242 S/N 884765+, RTA1250 S/N 884765+, RTA1258 S/N 884765+, RTA1266 S/N 884765+,**

Part No.	Part Description	Comments	Revision
dwg35947	Drawing Image Number		
1. 818-130C	DECAL CAUTION 540 RPM		
2. 818-171C	DECAL DANGER ROTATING TINES		
3. 818-190C	DECAL FLAG		
4. 818-543C	DECAL DANGER PD GUARD MISS SML		
5. 818-552C	DECAL DANGER PTO DRIVELINE		
6. 818-560C	DECAL NOTICE TO OWNER-NO WARRA		
7. 818-858C	DECAL WARNING GENERAL SAFTEY		
8. 818-896C	DECAL LP W/TREE 6" - 2 COLOR	Beige Unit	
8. 838-968C	DECAL LP 6 W/TREE BROWN/GOLD	Green, Orange & Red Unit	
9. 818-907C	DECAL LANDPRIDE 22" - BROWN	Beige Unit	
9. 838-966C	DECAL LANDPRIDE 22" BROWN/GOLD	Green, Orange & Red Unit	
10. 838-415C	DECAL SHELL GADUS S2 V220 00		
11. 838-517C	DECAL QUICK HITCH SYSTEM		
12. 838-862C	DECAL 3 YEAR GEARBOX WARRANTY		
13. 848-641C	DECAL RTA1242 BROWN	Beige Unit	
13. 848-640C	DECAL RTA1242 GOLD	Green, Orange & Red Unit	
13. 848-643C	DECAL RTA1250 BROWN	Beige Unit	
13. 848-642C	DECAL RTA1250 GOLD	Green, Orange & Red Unit	
13. 848-645C	DECAL RTA1258 BROWN	Beige Unit	
13. 848-644C	DECAL RTA1258 GOLD	Green, Orange & Red Unit	
13. 848-647C	DECAL RTA1266 BROWN	Beige Unit	
13. 848-646C	DECAL RTA1266 GOLD	Green, Orange & Red Unit	
13. 848-649C	DECAL RTA1274 BROWN	Beige Unit	
13. 848-648C	DECAL RTA1274 GOLD	Green, Orange & Red Unit	

**Label Placement S/N 978593+**

Applies to RTA1242 S/N 884765+, RTA1250 S/N 884765+, RTA1258 S/N 884765+, RTA1266 S/N 884765+, RTA1274 S/N 884765+



39240

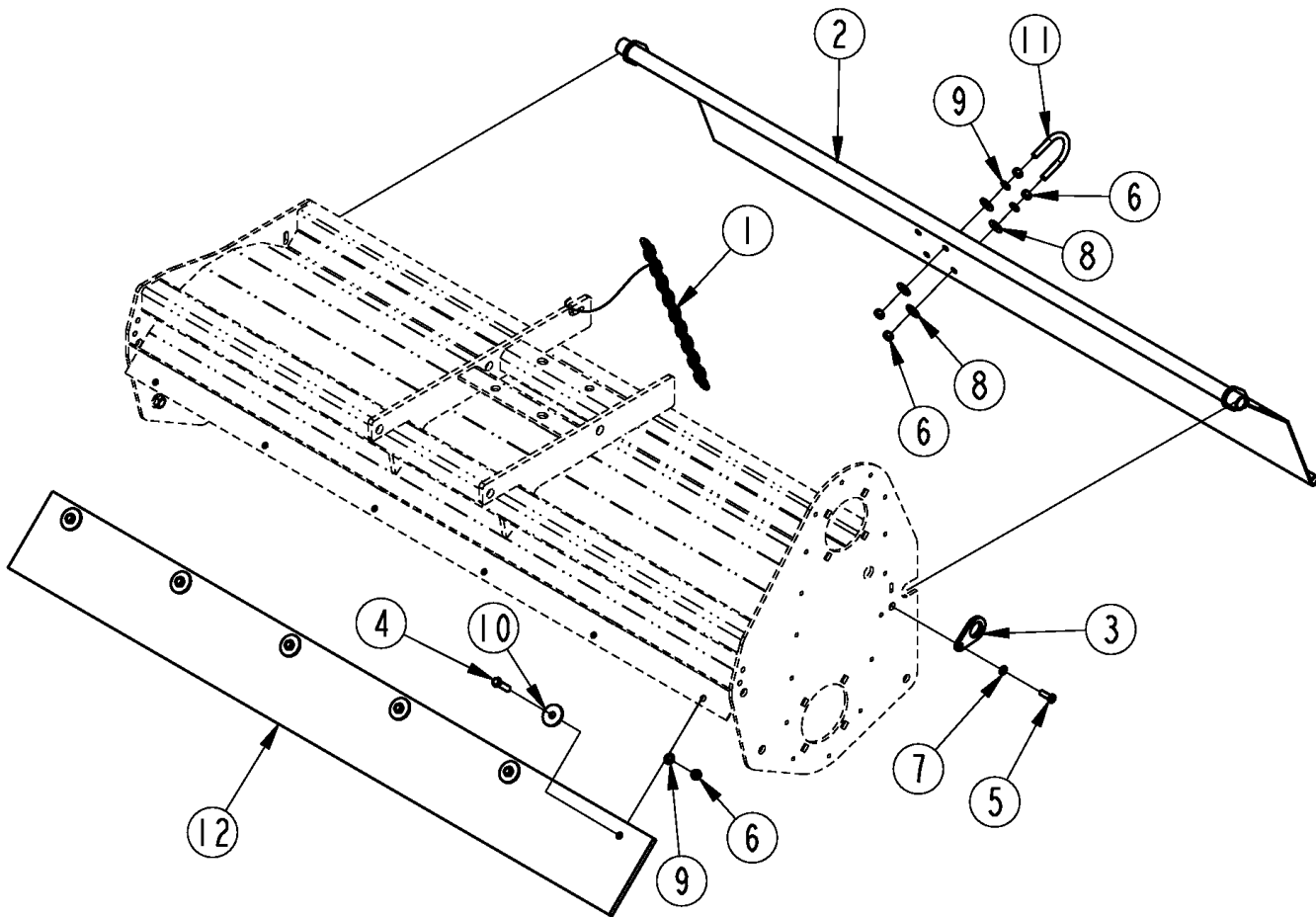


**Label Placement S/N 978593+****Applies to RTA1242 S/N 884765+, RTA1250 S/N 884765+, RTA1258 S/N 884765+, RTA1266 S/N 884765+,**

Part No.	Part Description	Comments	Revision
	Dwg 39240	Image No.	
1.	818-543C	DECAL DANGER PD GUARD MISS SML	
2.	818-896C	RPBY 838-968C	
2.	838-968C	DECAL LP 6 W/TREE BROWN/GOL	
3.	818-907C	RPBY 838-966C	
3.	838-966C	DECAL LANDPRIDE 22" BROWN/G	
4.	838-415C	DECAL SHELL GADUS S2 V220 00	
5.	838-517C	DECAL QUICK HITCH SYSTEM	
6.	838-862C	DECAL 3 YEAR GEARBOX WARRANTY	
7.	848-641C	DECAL RTA1242 BROWN	Beige Unit
7.	848-640C	DECAL RTA1242 GOLD	Green, Orange & Red Unit
7.	848-643C	DECAL RTA1250 BROWN	Beige Unit
7.	848-642C	DECAL RTA1250 GOLD	Green, Orange & Red Unit
7.	848-645C	DECAL RTA1258 BROWN	Beige Unit
7.	848-644C	DECAL RTA1258 GOLD	Green, Orange & Red Unit
7.	848-647C	DECAL RTA1266 BROWN	Beige Unit
7.	848-646C	DECAL RTA1266 GOLD	Green, Orange & Red Unit
7.	848-649C	DECAL RTA1274 BROWN	Beige Unit
7.	848-648C	DECAL RTA1274 GOLD	Green, Orange & Red Unit
8.	858-519C	DECAL, RTA CLUSTER	

### Deflector Front & Rear

Applies to RTR1242 S/N 884765+, RTR1250 S/N 884765+, RTR1258 S/N 884765+, RTR1266 S/N 884765+, RTR1274 S/N 884765+



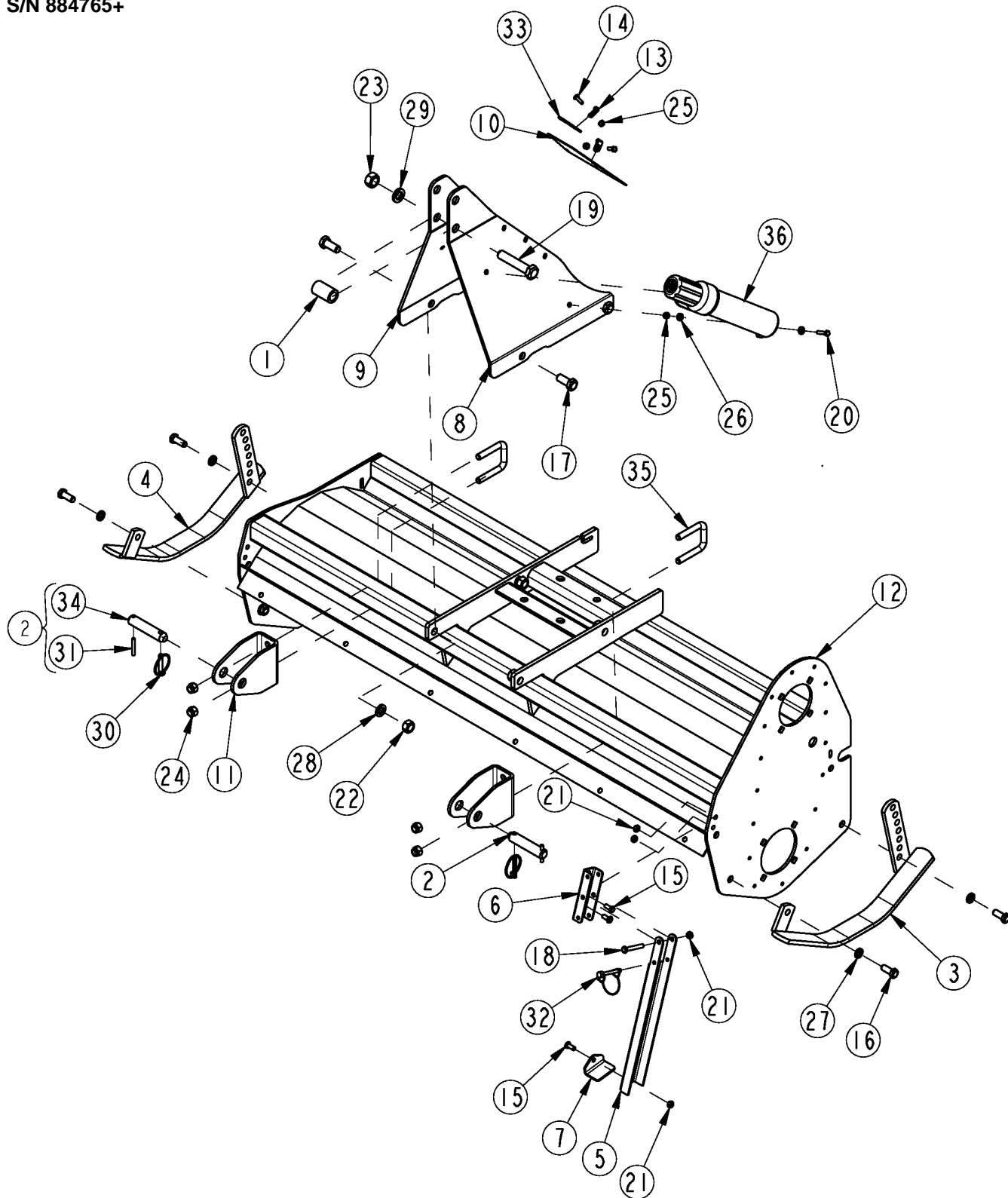
35988

**Deflector Front & Rear****Applies to RTR1242 S/N 884765+, RTR1250 S/N 884765+, RTR1258 S/N 884765+, RTR1266 S/N 884765+,**

Part No.	Part Description	Comments	Revision
	dwg35988	Drawing Image Number	
1.	311-077D	REAR DEFLECTOR CHAIN 10/15	
2.	311-430H	TAILGATE WELDMENT	RTR1242
2.	311-430H81	TAILGATE WELDMENT GREEN	
2.	311-430H82	TAILGATE WELDMENT ORANGE	
2.	311-430H83	TAILGATE WELDMENT RED	
2.	311-445H	TAILGATE WELDMENT	RTR1250
2.	311-445H81	TAILGATE WELDMENT GREEN	
2.	311-445H82	TAILGATE WELDMENT ORANGE	
2.	311-445H83	TAILGATE WELDMENT RED	
2.	311-449H	TAILGATE WELDMENT	RTR1258
2.	311-449H81	TAILGATE WELDMENT GREEN	
2.	311-449H82	TAILGATE WELDMENT ORANGE	
2.	311-449H83	TAILGATE WELDMENT RED	
2.	311-699H	WLDMNT, 15 SERIES 66" TAILGATE	RTR1266
2.	311-699H81	WLDMNT, GREEN 66" TAILGATE	
2.	311-699H82	WLDMNT, ORANGE 66" TAILGATE	
2.	311-699H83	WLDMNT, RED 66" TAILGATE	
2.	311-700H	WLDMNT, 15 SERIES 74" TAILGATE	RTR1274
2.	311-700H81	WLDMNT, GREEN 74" TAILGATE	
2.	311-700H82	WLDMNT, ORANGE 74" TAILGATE	
2.	311-700H83	WLDMNT, RED 74" TAILGATE	
3.	311-663D	TAILGATE LOCK 10 & 15 SERIES	
4.	802-022C	HHCS 3/8-16X1 1/2 GR5	
5.	802-738C	HHCS 5/16-18X1 GR5 ZNYCR	
6.	803-014C	NUT HEX 3/8-16 PLT	
7.	804-009C	WASHER LOCK SPRING 5/16 PLT	
8.	804-011C	WASHER FLAT 3/8 USS PLT	
9.	804-013C	WASHER LOCK SPRING 3/8 PLT	
10.	804-273C	WSHR FENDER HVY 1.5X.41X.12PLT	
11.	806-049C	U-BOLT 3/8-16 X2 1/32X2 5/8SPL	
12.	816-463C	FRONT DEFLECTOR	RTR1242
12.	816-472C	FRONT DEFLECTOR	RTR1250
12.	816-462C	FRONT DEFLECTOR	RTR1258
12.	816-659C	DEFLECTOR, 66" RTR FRONT	RTR1266
12.	816-660C	DEFLECTOR, 74" RTR FRONT	RTR1274

**Frame & Hitch**

Applies to RTR1242 S/N 884765+, RTR1250 S/N 884765+, RTR1258 S/N 884765+, RTR1266 S/N 884765+, RTR1274 S/N 884765+



35986

**Frame & Hitch****Applies to RTR1242 S/N 884765+, RTR1250 S/N 884765+, RTR1258 S/N 884765+, RTR1266 S/N 884765+,**

Part No.	Part Description	Comments	Revision
	dwg35986	Drawing Image Number	
1.	308-400D	SPACER 1 1/4OD X 13/16ID X 2LG	
2.	310-020S	LOWER HITCH PIN	
3.	311-006H	LH SKIDSHOE RTA10/15/20 RTR20	
4.	311-007H	RH SKIDSHOE RTA10/15/20 RTR20	
5.	311-784D	TILLER STAND	
5.	311-784D81	TILLER STAND GREEN	
5.	311-784D82	TILLER STAND ORANGE	
5.	311-784D83	TILLER STAND RED	
6.	311-785D	BRACKET, STAND	
6.	311-785D81	BRACKET, STAND GREEN	
6.	311-785D82	BRACKET, STAND ORANGE	
6.	311-785D83	BRACKET, STAND RED	
7.	311-786D	BASE, STAND	
7.	311-786D81	BASE, STAND GREEN	
7.	311-786D82	BASE, STAND ORANGE	
7.	311-786D83	BASE, STAND RED	
8.	311-798D	3PT TOP LH RTA/R12	
8.	311-798D81	3PT TOP LH RTA12 GREEN	
8.	311-798D82	3PT TOP LH RTA12 ORANGE	
8.	311-798D83	3PT TOP LH RTA12 RED	
9.	311-799D	3PT TOP RH RTA/R12	
9.	311-799D81	3PT TOP RH RTA12 GREEN	
9.	311-799D82	3PT TOP RH RTA12 ORANGE	
9.	311-799D83	3PT TOP RH RTA12 RED	
10.	311-800D	SHIELD DRVLN RTA12	
10.	311-800D81	SHIELD DRVLN RTA12 GREEN	
10.	311-800D82	SHIELD DRVLN RTA12 ORANGE	
10.	311-800D83	SHIELD DRVLN RTA12 RED	
11.	311-816D	HITCH LOWER 3PT RTR12	
11.	311-816D81	HITCH LOWER 3PT RTR12 GREEN	
11.	311-816D82	HITCH LOWER 3PT RTR12 ORANGE	
11.	311-816D83	HITCH LOWER 3PT RTR12 RED	
12.	311-817H	WLDMNT, 42" RTR12 FRAME	
12.	311-817H81	WLDMNT, 42" RTR12 FRAME GREEN	
12.	311-817H82	WLDMNT, 42" RTR12 FRAME ORANGE	
12.	311-817H83	WLDMNT, 42" RTR12 FRAME RED	
12.	311-818H	WLDMNT, 50" RTR12 FRAME	
12.	311-818H81	WLDMNT, 50" RTR12 FRAME GREEN	
12.	311-818H82	WLDMNT, 50" RTR12 FRAME ORANGE	
12.	311-818H83	WLDMNT, 50" RTR12 FRAME RED	
12.	311-819H	WLDMNT, 58" RTR12 FRAME	
12.	311-819H81	WLDMNT, 58" RTR12 FRAME GREEN	
12.	311-819H82	WLDMNT, 58" RTR12 FRAME ORANGE	
12.	311-819H83	WLDMNT, 58" RTR12 FRAME RED	
12.	311-820H	WLDMNT, 66" RTR12 FRAME	
12.	311-820H81	WLDMNT, 66" RTR12 FRAME GREEN	
12.	311-820H82	WLDMNT, 66" RTR12 FRAME ORANGE	
12.	311-820H83	WLDMNT, 66" RTR12 FRAME RED	
12.	311-835H	WLDMNT, 74" RTR12 FRAME	
12.	311-835H81	WLDMNT, 74" RTR12 FRAME GREEN	
12.	311-835H82	WLDMNT, 74" RTR12 FRAME ORANGE	
12.	311-835H83	WLDMNT, 74" RTR12 FRAME RED	
13.	800-347C	WIRING/TUBE CLIP FOR 1/4 OD	
14.	802-004C	HHCS 1/4-20X3/4 GR5	
15.	802-007C	HHCS 5/16-18X3/4 GR5	
16.	802-034C	HHCS 1/2-13X1 1/4 GR5	
17.	802-051C	HHCS 5/8-11X1 1/2 GR5	

## Frame & Hitch (continued)

Applies to RTR1242 S/N 884765+, RTR1250 S/N 884765+, RTR1258 S/N 884765+, RTR1266 S/N 884765+, RTR1274

<del>S/N 884765+</del> Part No.	Part Description	Comments	Revision
18. 802-138C	HHCS 5/16-18X2 1/4 GR5		
19. 802-204C	HHCS 3/4-10X3 3/4 GR5		
20. 802-224C	HHCS 1/4-20X1 1/4 GR5		
21. 803-011C	NUT LOCK 5/16-18 PLT		
22. 803-021C	NUT HEX 5/8-11 PLT		
23. 803-027C	NUT HEX 3/4-10 PLT		
24. 803-147C	NUT HEX NYLOCK 1/2-13		
25. 803-255C	NUT HEX NYLOCK 1/4-20		
26. 804-007C	WASHER FLAT 1/4 SAE PLT		
27. 804-015C	WASHER LOCK SPRING 1/2 PLT		
28. 804-022C	WASHER LOCK SPRING 5/8 PLT		
29. 804-023C	WASHER LOCK SPRING 3/4 PLT		
30. 805-015C	PIN LINCH 5/16 X 1 3/4		
31. 805-041C	PIN ROLL 1/4X1 3/4		
32. 805-065C	PIN WIRE RETAINING 1/4 X 1 3/4		
33. 805-143C	PIN, HAIR COTTER .120 PLT		
34. 805-198C	PIN CLVS HDLS .88X3.08 USBL		
35. 806-005C	U-BOLT 1/2-13 X 2 X 3 GR 5		
36. 816-504C	MANUAL STORAGE CONTAINER		

***Frame & Hitch (continued)***

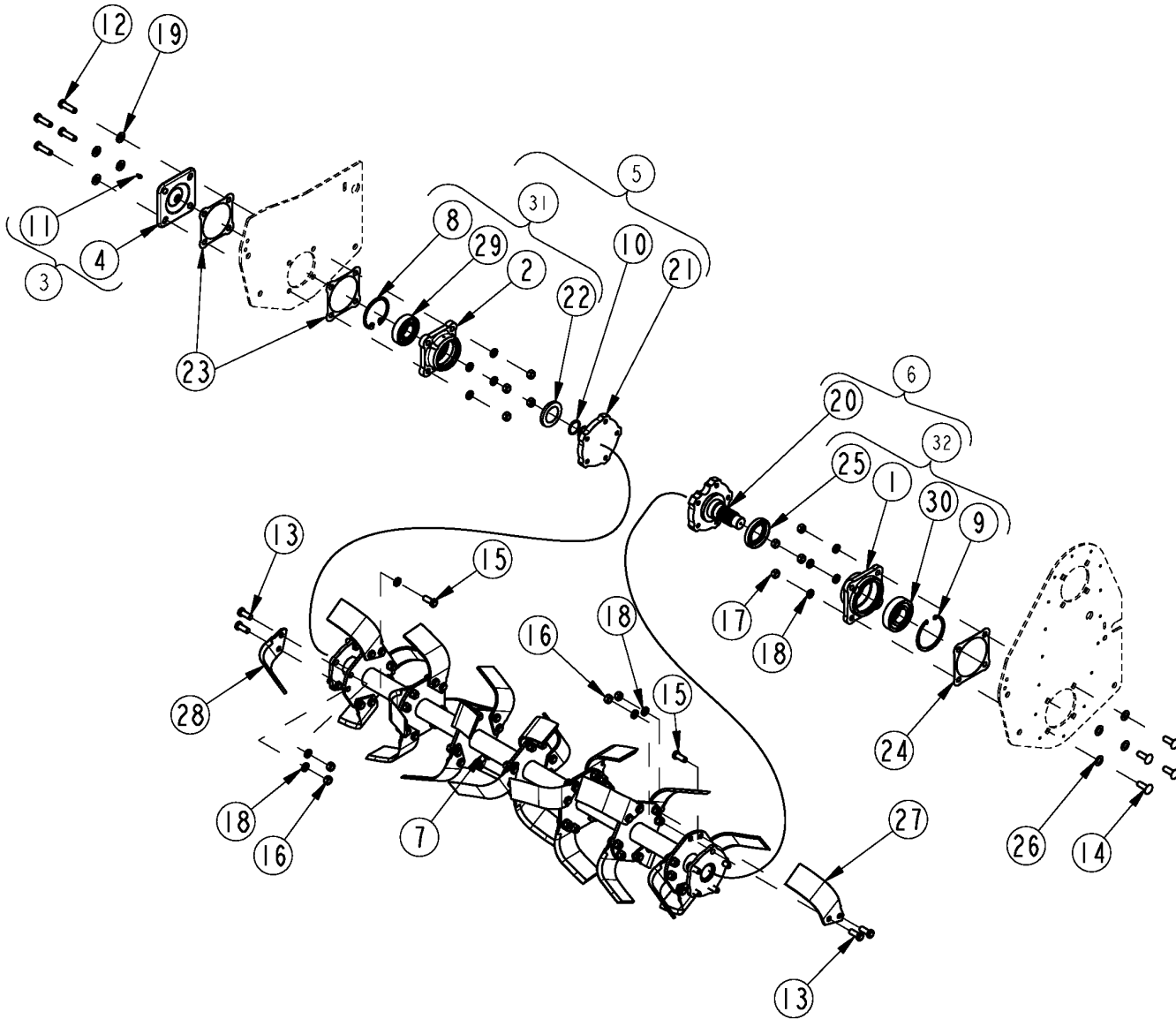
---

Applies to RTR1242 S/N 884765+, RTR1250 S/N 884765+, RTR1258 S/N 884765+, RTR1266 S/N 884765+,  
RTR1274 S/N 884765+

***This Page Intentionally Left Blank***

## Rotor Assembly

Applies to RTR1242 S/N 884765+, RTR1250 S/N 884765+, RTR1258 S/N 884765+, RTR1266 S/N 884765+, RTR1274 S/N 884765+



35991



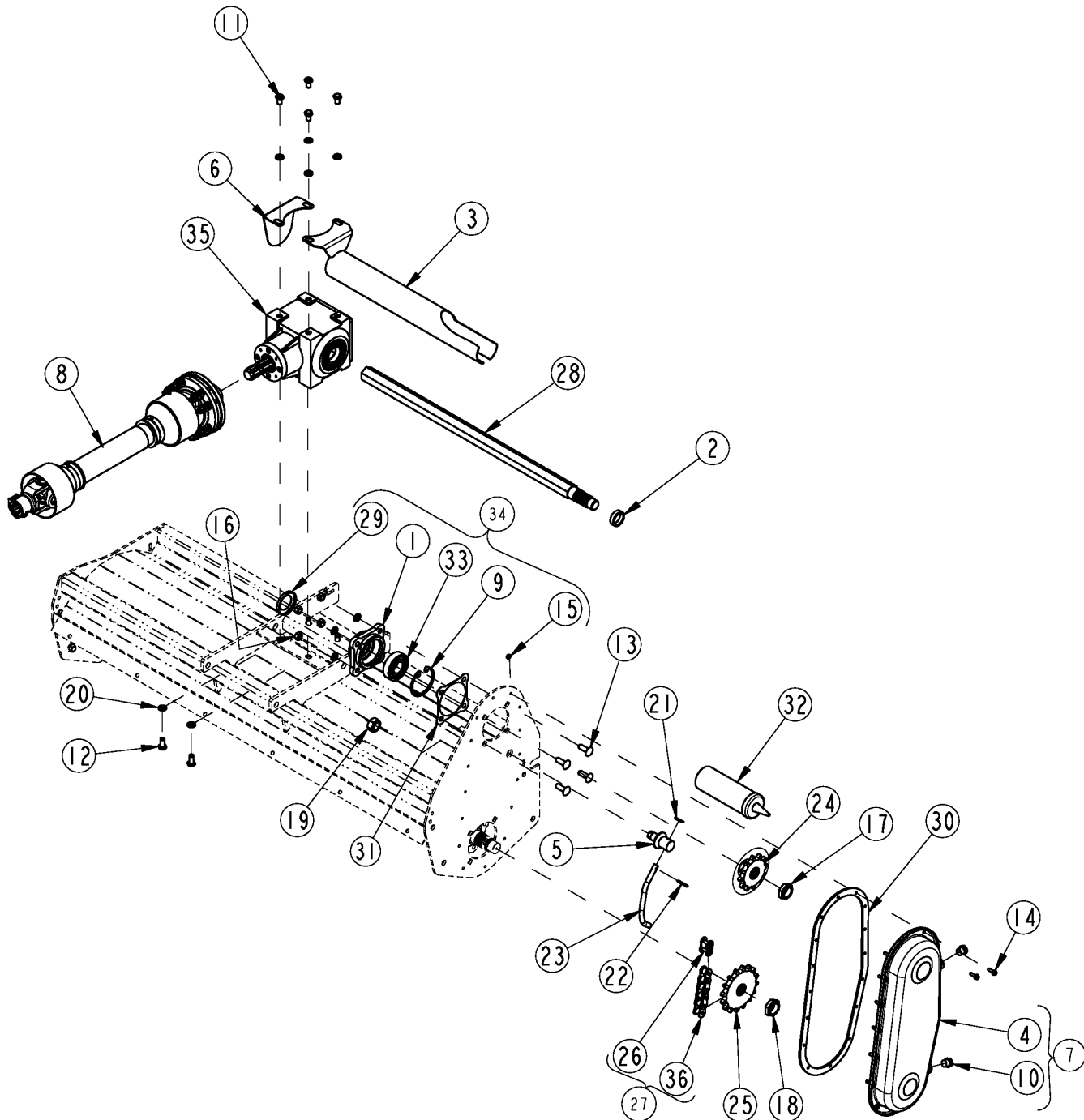
## Rotor Assembly

**Applies to RTR1242 S/N 884765+, RTR1250 S/N 884765+, RTR1258 S/N 884765+, RTR1266 S/N 884765+,**

Part No.	Part Description	Comments	Revision
	dwg35991	Drawing Image Number	
1.	822-256C	HSG, 1.57ID X 4 BOLT,2.0 SEAL	
1.	311-015D	RPBY 822-256C	
2.	822-255C	HSG, 1.37ID X 4 BOLT,1.75 SEAL	
2.	311-042D	RPBY 822-255C	
3.	311-135S	CVR NON-DRV LWR W/ZRK RTA/R	
4.	311-205D	COVER NON-DRV LWR	
5.	311-357K	HSG NON-DRV W/STUB ASY	
6.	311-358K	HSG DRV W/STUB ASY	
7.	311-796H	ROTOR SHAFT W/LDMNT 42	RTR1242
7.	311-798H	ROTOR SHAFT W/LDMNT 50	RTR1250
7.	311-800H	ROTOR SHAFT W/LDMNT 58	RTR1258
7.	311-802H	ROTOR SHAFT W/LDMNT 66	RTR1266
7.	311-804H	ROTOR SHAFT W/LDMNT 74	RTR1274
8.	800-053C	SNAP RING INT3.523OD N5000-315	
9.	800-078C	SNAP RING INT 90 MM	
10.	800-079C	SNAP RING EXT 1 3/8 5100-137	
11.	800-080C	GREASE ZERK 1/4-28 THD FORMING	
12.	802-082C	HHCS 1/2-13X1 3/4 GR5	
13.	802-326C	HHCS 1/2-20X1 1/4 GR5	
14.	802-477C	RHSSNB 1/2-13X1 1/2 GR5	
15.	802-580C	HHCS 1/2-13X1 1/4 GR8	
16.	803-018C	NUT HEX 1/2-20 PLT	
17.	803-020C	NUT HEX 1/2-13 PLT	
18.	804-015C	WASHER LOCK SPRING 1/2 PLT	
19.	804-094C	WASHER FLAT 1/2 HARD ASTM F436	
20.	815-130C	DRIVE STUB 20 SERIES TILLER	
21.	815-131C	NONDRIVE STUB 20 SERIES TILLER	
22.	816-068C	SEAL 1.75 X 2.75 X .313	
23.	816-070C	GASKET HSG 10/15 TILLER	
24.	816-071C	GASKET 15 TILLER LH BOTTOM	
25.	816-084C	SEAL 2 X 3.1875 X 0.469	
26.	816-280C	GASKET 1.03OD.515SQ.HL1/32THK	
27.	820-329C	TILLER BLADE 05 SERIES LH	RTR1242 10 EA., RTR1250 12 EA., RTR1258 14 EA., RTR1266 16 EA. & RTR1274 18 EA.
28.	820-330C	TILLER BLADE 05 SERIES RH	RTR1242 10 EA., RTR1250 12 EA., RTR1258 14 EA., RTR1266 16 EA. & RTR1274 18 EA.
29.	822-082C	BRG BALL 1.37IDX3.14ODX.82 307	
30.	822-084C	BRG BALL 1.57IDX3.54ODX.90 308	
31.	822-255C	HSG, 1.37ID X 4 BOLT,1.75 SEAL	
32.	822-256C	HSG, 1.57ID X 4 BOLT,2.0 SEAL	

## Drive Components

Applies to RTR1242 S/N 884765+, RTR1250 S/N 884765+, RTR1258 S/N 884765+, RTR1266 S/N 884765+, RTR1274 S/N 884765+



35993

## Drive Components

**Applies to RTR1242 S/N 884765+, RTR1250 S/N 884765+, RTR1258 S/N 884765+, RTR1266 S/N 884765+,**

Part No.	Part Description	Comments	Revision
	dwg35993	Drawing Image Number	
1.	822-254C	HSG, 1.37ID X 4 BOLT,1.75 SEAL	
1.	311-014D	RPBY 822-254C	
2.	311-054D	SPACER 1.38IDX1.75ODX.50L PLT	
3.	3311-440H	DRIVE SHAFT GUARD 42" WLDMT	
3.	311-440H81	DRIVE SHAFT GUARD 42 WLD GREEN	
3.	311-440H82	DRIVE SHFT GUARD 42 WLD ORANGE	
3.	311-440H83	DRIVE SHAFT GUARD 42 WLD RED	
3.	311-446H	DRIVE SHAFT GUARD 50" WLDMT	
3.	311-446H81	DRIVE SHAFT GUARD 50 WLD GREEN	
3.	311-446H82	DRIVE SHFT GUARD 50 WLD ORANGE	
3.	311-446H83	DRIVE SHAFT GUARD 50 WLD RED	
3.	311-450H	DRIVE SHAFT GUARD 58" WLDMT	
3.	311-450H81	DRIVE SHAFT GUARD 58 WLD GREEN	
3.	311-450H82	DRIVE SHFT GUARD 58 WLD ORANGE	
3.	311-450H83	DRIVE SHAFT GUARD 58 WLD RED	
3.	311-751H	WLDNMT, 66" DRIVE SHAFT GUARD	
3.	311-751H81	WLDNMT, GREEN 66" DRV SHFT GRD	
3.	311-751H82	WLDNMT, ORNG 66" DRV SHFT GRD	
3.	311-751H83	WLDNMT, RED 66" DRV SHFT GRD	
3.	311-752H	WLDNMT, 74" DRIVE SHAFT GUARD	
3.	311-752H81	WLDNMT, GREEN 74" DRV SHFT GRD	
3.	311-752H82	WLDNMT, ORNG 74" DRV SHFT GRD	
3.	311-752H83	WLDNMT, RED 74" DRV SHFT GRD	
4.	311-458H	WMT, CHAIN CASE	
4.	311-458H81	WMT31, CHAIN CASE GREEN	
4.	311-458H82	WMT31, CHAIN CASE ORANGE	
4.	311-458H83	WMT, CHAIN CASE RED	
5.	311-559D	CHAIN TENSIONER LH	
6.	311-583D	DRIVE COVER	
6.	311-583D81	DRIVE COVER GREEN	
6.	311-583D82	DRIVE COVER ORANGE	
6.	311-583D83	DRIVE COVER RED	
7.	311-721S	ASSY, 10/15 TILLER CHAIN CASE	
7.	311-721S81	ASSY, 10/15 TILLER CHAIN CASE	
7.	311-721S82	ASSY, 10/15 TILLER CHAIN CASE	
7.	311-721S83	ASSY, 10/15 TILLER CHAIN CASE	
8.	311-753A	DRVLN, 12 SERIES SLIP CLTCH	
8.	311-884A	DRVLN B/BX,12 SER. SLIP CLTCH	
9.	800-053C	SNAP RING INT3.523OD N5000-315	
10.	800-066C	DRAIN PLUG 3/4-16 UNF PLATED	
11.	802-032C	HHCS 1/2-13X3/4 GR5	
12.	802-258C	HHCS 1/2-13X1 GR5	
13.	802-477C	RHSSNB 1/2-13X1 1/2 GR5	
14.	802-719C	HFSS 1/4-20X7/8 GR5	
15.	803-007C	NUT LOCK 1/4-20 PLT	
16.	803-020C	NUT HEX 1/2-13 PLT	
17.	803-153C	NUT LT JAM 1 1/8-12 NYLN INSRT	
18.	803-155C	NUT LT JAM 1 1/4-12 NYLN INSRT	
19.	803-348C	NUT HEX 7/8-14 LH PLT	
20.	804-015C	WASHER LOCK SPRING 1/2 PLT	
21.	804-016C	WASHER FLAT 1/2 SAE PLT	
22.	805-069C	PIN COTTER 3/16 X 1	
23.	807-062C	CHAIN TIGHTENER 10/15 TILR	
24.	808-092C	SPKT 80B12 1 3/8-21	
25.	808-093C	SPKT 80B16 16/32-23 SPLINE	
26.	809-089C	CONNECTOR #80 HIGH TENSILE	
27.	809-232C	CHAIN RL #80X44 PITCH HT	

## Drive Components (continued)

Applies to RTR1242 S/N 884765+, RTR1250 S/N 884765+, RTR1258 S/N 884765+, RTR1266 S/N 884765+, RTR1274

<del>S/N 884765+</del> Part No.	Part Description	Comments	Revision
28. 815-254C	DRIVE SHAFT RTR1042	RTR1242	
28. 815-028C	DRIVE SHAFT 1550 TILLER	RTR1250	
28. 815-027C	SHAFT, 1.5X35.63 HEX DRIVE	RTR1258	
28. 815-362C	SHAFT, 1.5X39.63 HEX DRIVE	RTR1266	
28. 815-363C	SHAFT, 1.5X43.63 HEX DRIVE	RTR1274	
29. 816-068C	SEAL 1.75 X 2.75 X .313		
30. 816-069C	GASKET CHAIN GRD 10/15 TILR		
31. 816-070C	GASKET HSG 10/15 TILLER		
32. 821-045C	GRS SHELL GADUS S2 V22000 32OZ		
33. 822-082C	BRG BALL 1.37IDX3.14ODX.82 307		
34. 822-254C	HSG, 1.37ID X 4 BOLT,1.75 SEAL		
35. 826-678C	GEARBOX, 1.92:1 RATIO HEX BORE		
36. N/A	CHAIN ROLLER #80		

## ***Drive Components (continued)***

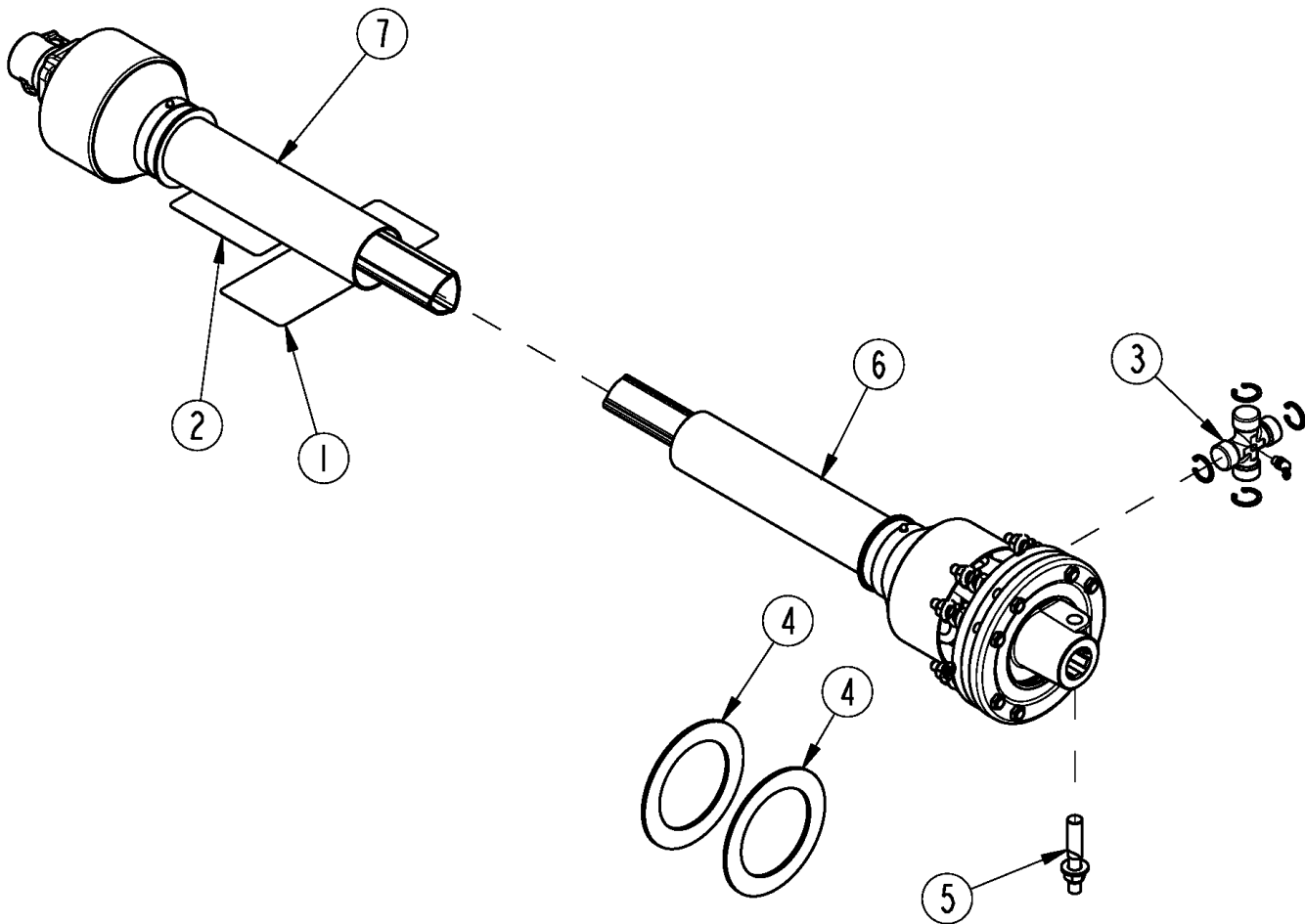
---

Applies to RTR1242 S/N 884765+, RTR1250 S/N 884765+, RTR1258 S/N 884765+, RTR1266 S/N 884765+,  
RTR1274 S/N 884765+

***This Page Intentionally Left Blank***

**Driveline W/ Slip Clutch (311-753A & 311-884A)**

Applies to RTR1242 S/N 884765+, RTR1250 S/N 884765+, RTR1258 S/N 884765+, RTR1266 S/N 884765+, RTR1274 S/N 884765+



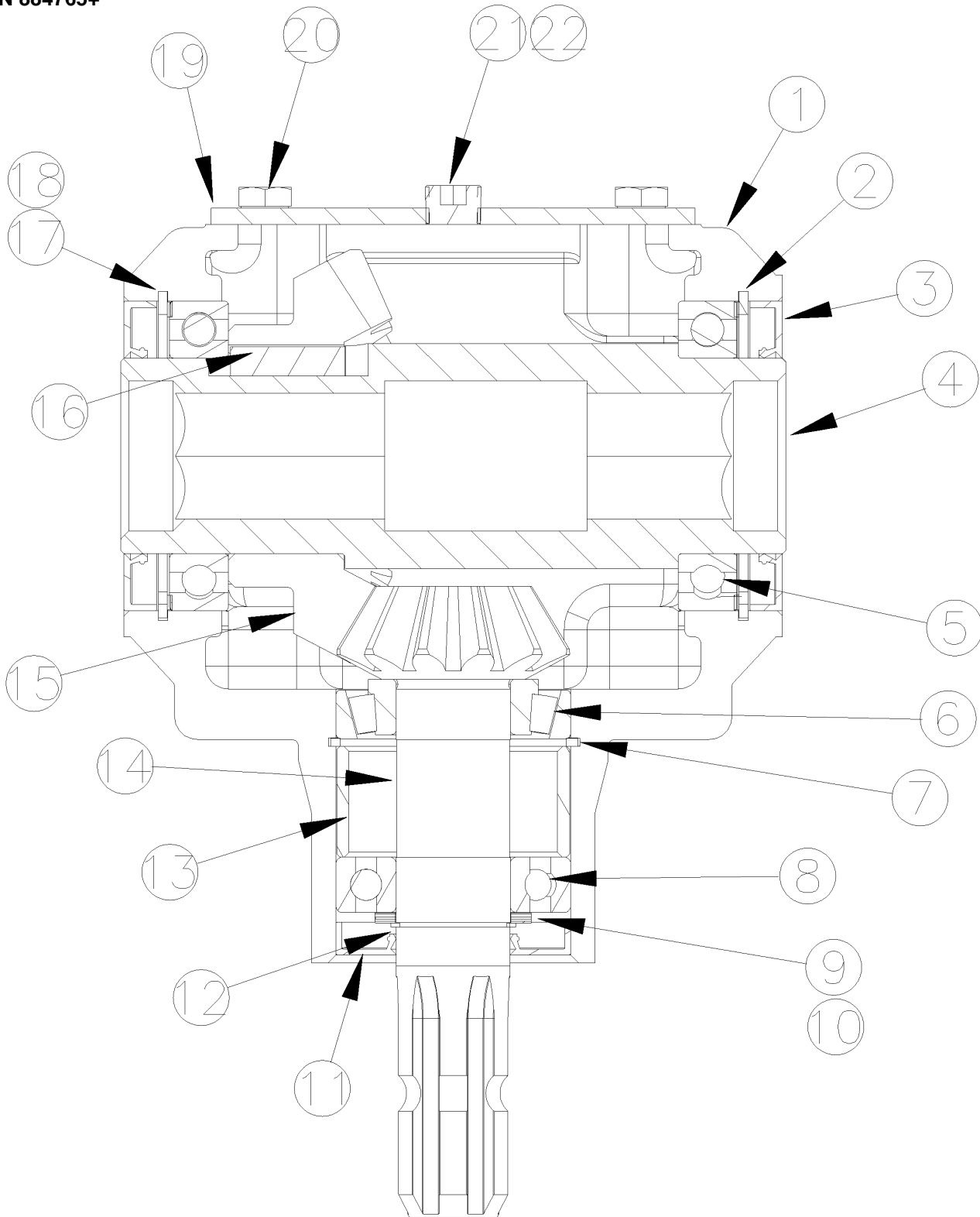
30376

***Driveline W/ Slip Clutch (311-753A & 311-884A)*****Applies to RTR1242 S/N 884765+, RTR1250 S/N 884765+, RTR1258 S/N 884765+, RTR1266 S/N 884765+,**

Part No.	Description	Comments	Revision
dwg30376	Drawing Image Number		
311-753A	DRVLN, 12 SERIES SLIP CLTCH		
311-884A	DRVLN B/BX,12 SER. SLIP CLTCH		
	*		
1. 818-540C	DECAL DANGER GUARD MISS PTO		
2. 818-552C	DECAL DANGER PTO DRIVELINE		
3. 1004020	EC CROSS ASSEMBLY ( U JOINT)		
4. GRI-4SC003	VULCAN FRICTION DISC		
5. GRI-4SP004	BOLT, CONICAL DOG		
6. 311-790A	DRVLN, 311-753A REAR HALF		
7. 311-789A	DRVLN, 311-753A FRONT HALF		

### **Gearbox (826-678C) SD**

Applies to RTR1242 S/N 884765+, RTR1250 S/N 884765+, RTR1258 S/N 884765+, RTR1266 S/N 884765+, RTR1274 S/N 884765+



35111

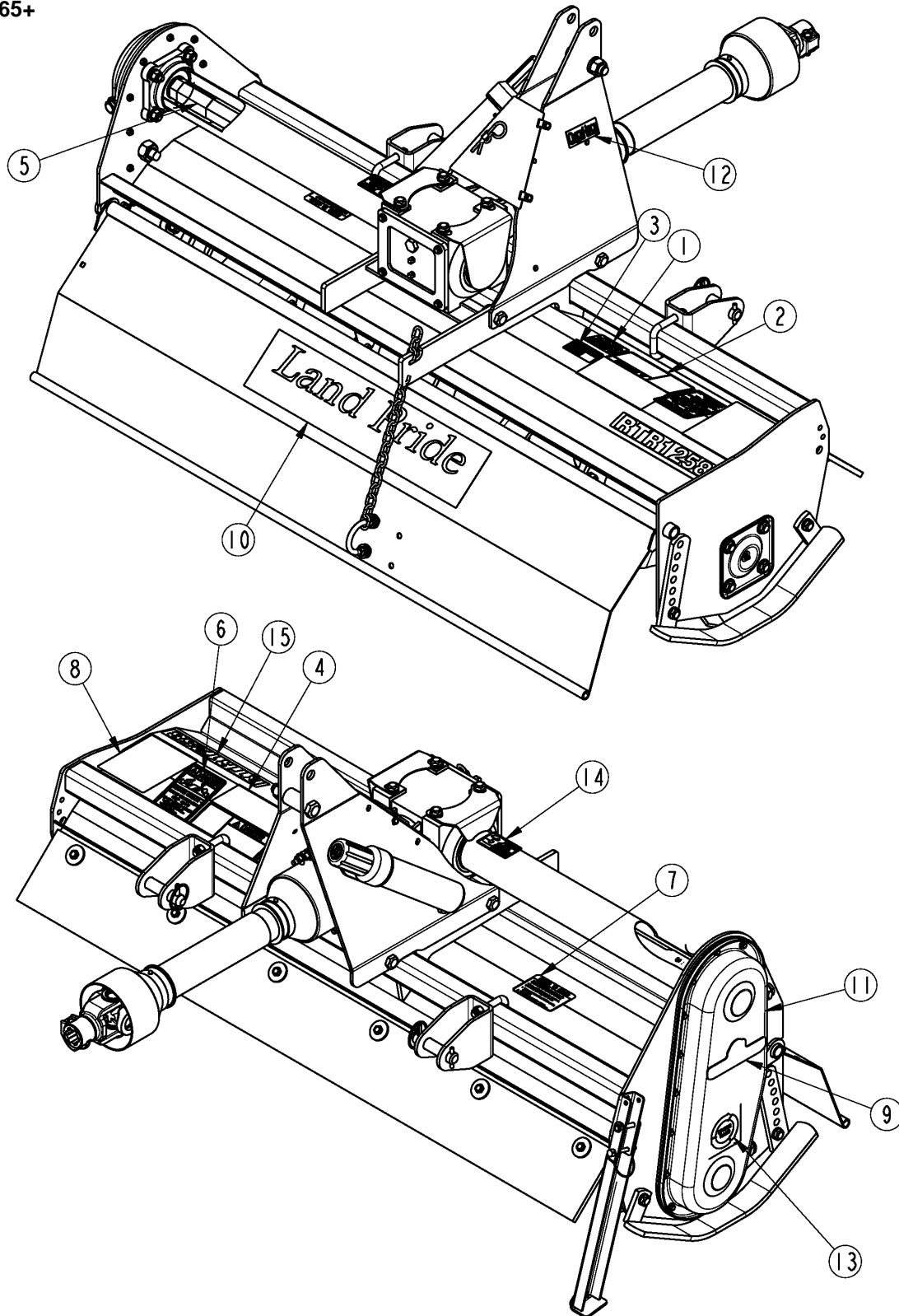


**Gearbox (826-678C) SD****Applies to RTR1242 S/N 884765+, RTR1250 S/N 884765+, RTR1258 S/N 884765+, RTR1266 S/N 884765+,**

Part No.	Part Description	Comments	Revision
dwg35111	Drawing Image Number		
826-678C	GEARBOX, 1.92:1 RATIO HEX BORE		
1. 18-218	SD GB HOUSING		
2. 21-104	SD 95 RETAINING RING		
3. 0.267.7104.00	CO SEAL DOUBLE LIP 60X95X10		
4. 02-341	SD OUTPUT SHAFT		
5. 04-211	SD 60X95X18 BALL BRG		
6. 04-081	SD 30207 TAPERED BRG		
7. 21-004	ITG RETAINING RING		
8. 822-166C	BRG BALL 1.37IDX2.83OD 6207		
9. 17-103	SD SHIM (0.50)		
10. 17-104	SD SHIM (0.70)		
11. 05-010	ITG INPUT SEAL		
12. 21-105	SD 35DIA EXT RETAINING RING		
13. 10-216	SD OUTPUT SPACER		
14. 03-348	SD 12 TOOTH PINION & SHAFT		
15. 03-349	SD 23 TOOTH GEAR		
16. 14-102	SD 14X9X35 KEY		
17. 17-101	SD OUTPUT SHIM (0.50)		
18. 17-102	SD OUTPUT SHIM (1.0)		
19. 20-217	SD INSPECTION CAP		
20. 06-010	SD M10X1.5X20 HEX HEAD BOLT		
21. 09-052	SD 3/8-19NPT SQ HEAD PLUG	2 Required	
22. 09-107	SD 3/8-18 NPT BREATHER PLUG	1 Required	

**Label Placement S/N 978592-**

Applies to RTR1242 S/N 884765+, RTR1250 S/N 884765+, RTR1258 S/N 884765+, RTR1266 S/N 884765+, RTR1274 S/N 884765+



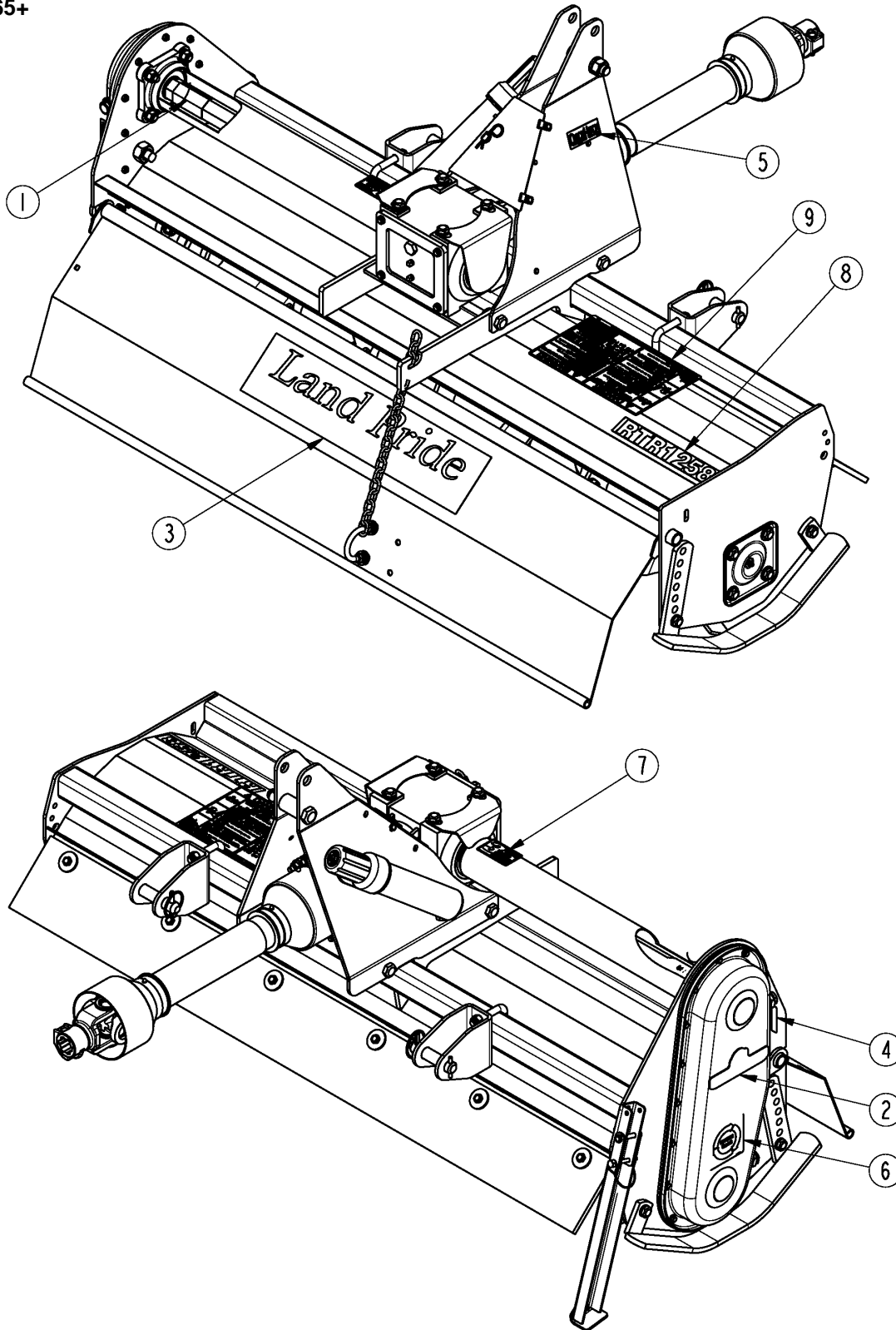
35994

**Label Placement S/N 978592-****Applies to RTR1242 S/N 884765+, RTR1250 S/N 884765+, RTR1258 S/N 884765+, RTR1266 S/N 884765+,**

Part No.	Description	Comments	Revision
dwg35994	Drawing Image Number		
1. 818-130C	DECAL CAUTION 540 RPM		
2. 818-171C	DECAL DANGER ROTATING TINES		
3. 818-190C	DECAL FLAG		
4. 818-284C	DECAL, WARNING FLYING DEBRIS		
5. 818-543C	DECAL DANGER PD GUARD MISS SML		
6. 818-552C	DECAL DANGER PTO DRIVELINE		
7. 818-560C	DECAL NOTICE TO OWNER-NO WARRA		
8. 818-858C	DECAL WARNING GENERAL SAFTEY		
9. 818-896C	DECAL LP W/TREE 6" - 2 COLOR	Beige Unit	
9. 838-968C	DECAL LP 6 W/TREE BROWN/GOLD	Green, Orange & Red Unit	
10. 818-907C	DECAL LANDPRIDE 22" - BROWN	Beige Unit	
10. 838-966C	DECAL LANDPRIDE 22" BROWN/GOLD	Green, Orange & Red Unit	
11. 838-415C	DECAL SHELL GADUS S2 V220 00		
12. 838-517C	DECAL QUICK HITCH SYSTEM		
13. 838-706C	DECAL REVERSE TILLING W/ARROWS	Beige Unit	
13. 838-897C	DECAL REV TILLING W/ARROWS GLD	Green, Orange & Red Unit	
14. 838-862C	DECAL 3 YEAR GEARBOX WARRANTY		
15. 848-651C	DECAL RTR1242 BROWN	Beige Unit	
15. 848-650C	DECAL RTR1242 GOLD	Green, Orange & Red Unit	
15. 848-653C	DECAL RTR1250 BROWN	Beige Unit	
15. 848-652C	DECAL RTR1250 GOLD	Green, Orange & Red Unit	
15. 848-655C	DECAL RTR1258 BROWN	Beige Unit	
15. 848-654C	DECAL RTR1258 GOLD	Green, Orange & Red Unit	
15. 848-657C	DECAL RTR1266 BROWN	Beige Unit	
15. 848-656C	DECAL RTR1266 GOLD	Green, Orange & Red Unit	
15. 848-659C	DECAL RTR1274 BROWN	Beige Unit	
15. 848-658C	DECAL RTR1274 GOLD	Green, Orange & Red Unit	

**Label Placement S/N 978593+**

Applies to RTR1242 S/N 884765+, RTR1250 S/N 884765+, RTR1258 S/N 884765+, RTR1266 S/N 884765+, RTR1274 S/N 884765+



39241

**Label Placement S/N 978593+****Applies to RTR1242 S/N 884765+, RTR1250 S/N 884765+, RTR1258 S/N 884765+, RTR1266 S/N 884765+,**

Part No.	Description	Comments	Revision
	Dwg 39241	Image No.	
1.	818-543C	DECAL DANGER PD GUARD MISS SML	
2.	818-896C	RPBY 838-968C	
2.	838-968C	DECAL LP 6 W/TREE BROWN/GOLD	
3.	818-907C	RPBY 838-966C	
3.	838-966C	DECAL LANDPRIDE 22" BROWN/GOLD	
4.	838-415C	DECAL SHELL GADUS S2 V220 00	
5.	838-517C	DECAL QUICK HITCH SYSTEM	
6.	838-706C	DECAL REVERSE TILLING W/ARROWS	Beige Unit
6.	838-897C	DECAL REV TILLING W/ARROWS	Green, Orange & Red Unit
7.	838-862C	DECAL 3 YEAR GEARBOX WARRANTY	
8.	848-651C	DECAL RTR1242 BROWN	Beige Unit
8.	848-650C	DECAL RTR1242 GOLD	Green, Orange & Red Unit
8.	848-653C	DECAL RTR1250 BROWN	Beige Unit
8.	848-652C	DECAL RTR1250 GOLD	Green, Orange & Red Unit
8.	848-655C	DECAL RTR1258 BROWN	Beige Unit
8.	848-654C	DECAL RTR1258 GOLD	Green, Orange & Red Unit
8.	848-657C	DECAL RTR1266 BROWN	Beige Unit
8.	848-656C	DECAL RTR1266 GOLD	Green, Orange & Red Unit
8.	848-659C	DECAL RTR1274 BROWN	Beige Unit
8.	848-658C	DECAL RTR1274 GOLD	Green, Orange & Red Unit
9.	858-518C	DECAL, RTR CLUSTER	



# Part Number Index

The Part Number Index is a numeric index of all part numbers included in this manual. The index shows what page(s) the part is used on.

Part Number	Page	Part Number	Page	Part Number	Page	Part Number	Page
0267.7104.00	21, 41	311-583D	15, 35	311-818H81	29	803-147C	9, 30
02-341	21, 41	311-583D81	15, 35	311-818H82	29	803-153C	15, 35
03-348	21, 41	311-583D82	15, 35	311-818H83	29	803-155C	15, 35
03-349	21, 41	311-583D83	15, 35	311-819H	29	803-157C	15
04-081	21, 41	311-663D	7, 27	311-819H81	29	803-255C	9, 30
04-211	21, 41	311-699H	7, 27	311-819H82	29	803-348C	35
05-010	21, 41	311-699H81	7, 27	311-819H83	29	804-007C	9, 30
06-010	21, 41	311-699H82	7, 27	311-820H	29	804-009C	7, 27
09-052	21, 41	311-699H83	7, 27	311-820H81	29	804-011C	7, 27
09-107	21, 41	311-700H	7, 27	311-820H82	29	804-013C	7, 27
10-216	21, 41	311-700H81	7, 27	311-820H83	29	804-015C	10, 13, 15, 30,
1004020	19, 39	311-700H82	7, 27	311-823D	7		33, 35
14-102	21, 41	311-700H83	7, 27	311-829H	9	804-016C	15, 35
17-101	21, 41	311-721S	15, 35	311-829H81	9	804-022C	10, 30
17-102	21, 41	311-721S81	15, 35	311-829H82	9	804-023C	10, 30
17-103	21, 41	311-721S82	15, 35	311-829H83	9	804-036C	7
17-104	21, 41	311-721S83	15, 35	311-830H	9	804-094C	13, 33
18-218	21, 41	311-751H	15, 35	311-830H81	9	804-273C	27
20-217	21, 41	311-751H81	15, 35	311-830H82	9	805-015C	10, 30
21-004	21, 41	311-751H82	15, 35	311-830H83	9	805-041C	10, 30
21-104	21, 41	311-751H83	15, 35	311-831H	9	805-065C	30
21-105	21, 41	311-752H	15, 35	311-831H81	9	805-069C	15, 35
308-171D	15	311-752H81	15, 35	311-831H82	9	805-143C	7, 10, 30
308-400D	9, 29	311-752H82	15, 35	311-831H83	9	805-198C	10, 30
310-020S	9, 29	311-752H83	15, 35	311-832H	9	806-005C	10, 30
311-006H	9, 29	311-753A	15, 19, 35, 39	311-832H81	9	806-049C	7, 27
311-006H81	9	311-784D	29	311-832H82	9	807-062C	15, 35
311-006H82	9	311-784D81	29	311-832H83	9	808-092C	15, 35
311-006H83	9	311-784D82	29	311-833H	9	808-093C	15, 35
311-007H	9, 29	311-784D83	29	311-833H81	9	809-089C	15, 35
311-007H81	9	311-785D	29	311-833H82	9	809-232C	15, 35
311-007H82	9	311-785D81	29	311-833H83	9	815-027C	16, 36
311-007H83	9	311-785D82	29	311-835H	29	815-028C	16, 36
311-014D	35	311-785D83	29	311-835H81	29	815-130C	13, 33
311-015D	33	311-786D	29	311-835H82	29	815-131C	13, 33
311-042D	33	311-786D81	29	311-835H83	29	815-254C	15, 36
311-054D	15, 35	311-786D82	29	311-884A	15, 19, 35, 39	815-362C	16, 36
311-077D	7, 27	311-786D83	29	3311-440H	15, 35	815-363C	16, 36
311-135S	13, 33	311-789A	19, 39	800-052C	7	816-068C	13, 16, 33, 36
311-205D	13, 33	311-790A	19, 39	800-053C	13, 15, 33, 35	816-069C	16, 36
311-357K	13, 33	311-796H	13, 33	800-066C	15, 35	816-070C	13, 16, 33, 36
311-358K	13, 33	311-798D	9, 29	800-078C	13, 33	816-071C	13, 33
311-430H	7, 27	311-798D81	9, 29	800-079C	13, 33	816-084C	13, 33
311-430H81	7, 27	311-798D82	9, 29	800-080C	13, 33	816-280C	13, 33
311-430H82	7, 27	311-798D83	9, 29	800-347C	9, 29	816-462C	27
311-430H83	7, 27	311-798H	13, 33	802-004C	9, 29	816-463C	27
311-440H81	15, 35	311-799D	9, 29	802-007C	29	816-472C	27
311-440H82	15, 35	311-799D81	9, 29	802-022C	27	816-504C	10, 30
311-440H83	15, 35	311-799D82	9, 29	802-032C	15, 35	816-659C	27
311-445H	7, 27	311-799D83	9, 29	802-034C	9, 29	816-660C	27
311-445H81	7, 27	311-800D	9, 29	802-051C	9, 29	818-130C	23, 43
311-445H82	7, 27	311-800D81	9, 29	802-082C	13, 33	818-171C	23, 43
311-445H83	7, 27	311-800D82	9, 29	802-082C	7	818-190C	23, 43
311-446H	15, 35	311-800D83	9, 29	802-138C	30	818-284C	43
311-446H81	15, 35	311-800H	13, 33	802-204C	9, 30	818-540C	19, 39
311-446H82	15, 35	311-802H	13, 33	802-224C	9, 30	818-543C	23, 25, 43, 45
311-446H83	15, 35	311-804H	13, 33	802-258C	15, 35	818-552C	19, 23, 39, 43
311-449H	7, 27	311-808D	9	802-326C	13, 33	818-560C	23, 43
311-449H81	7, 27	311-808D81	9	802-477C	13, 15, 33, 35	818-858C	23, 43
311-449H82	7, 27	311-808D82	9	802-580C	13, 33	818-896C	23, 25, 43, 45
311-449H83	7, 27	311-808D83	9	802-719C	15, 35	818-907C	23, 25, 43, 45
311-450H	15, 35	311-816D	29	802-738C	7, 27	820-329C	13, 33
311-450H81	15, 35	311-816D81	29	803-007C	15, 35	820-330C	13, 33
311-450H82	15, 35	311-816D82	29	803-008C	7	821-045C	16, 36
311-450H83	15, 35	311-816D83	29	803-011C	30	822-082C	13, 16, 33, 36
311-458H	15, 35	311-817H	29	803-014C	7, 27	822-084C	13, 33
311-458H81	15, 35	311-817H81	29	803-018C	13, 33	822-166C	21, 41
311-458H82	15, 35	311-817H82	29	803-020C	13, 15, 33, 35	822-254C	15, 16, 35, 36
311-458H83	15, 35	311-817H83	29	803-021C	9, 30	822-255C	13, 33
311-559D	35	311-818H	29	803-027C	9, 30	822-256C	13, 33



## Part Number Index (continued)

<u>Part Number</u>	<u>Page</u>
826-678C .....	16, 21, 36, 41
838-415C .....	23, 25, 43, 45
838-517C .....	23, 25, 43, 45
838-706C .....	43, 45
838-862C .....	23, 25, 43, 45
838-897C .....	43, 45
838-966C .....	23, 25, 43, 45
838-968C .....	23, 25, 43, 45
848-640C .....	23, 25
848-641C .....	23, 25
848-642C .....	23, 25
848-643C .....	23, 25
848-644C .....	23, 25
848-645C .....	23, 25
848-646C .....	23, 25
848-647C .....	23, 25
848-648C .....	23, 25
848-649C .....	23, 25
848-650C .....	43, 45
848-651C .....	43, 45
848-652C .....	43, 45
848-653C .....	43, 45
848-654C .....	43, 45
848-655C .....	43, 45
848-656C .....	43, 45
848-657C .....	43, 45
848-658C .....	43, 45
848-659C .....	43, 45
858-518C .....	45
858-519C .....	25
Dwg 39240 .....	25
Dwg 39241 .....	45
dwg30376 .....	19, 39
dwg35111 .....	21, 41
dwg35940 .....	7
dwg35942 .....	9
dwg35943 .....	13
dwg35945 .....	15
dwg35947 .....	23
dwg35986 .....	29
dwg35988 .....	27
dwg35991 .....	33
dwg35993 .....	35
dwg35994 .....	43
GRI-4SC003 .....	19, 39
GRI-4SP004 .....	19, 39
N/A .....	16, 36



Great Plains Manufacturing, Inc.

Corporate Office: P.O. Box 5060  
Salina, Kansas 67402-5060 USA

[www.landpride.com](http://www.landpride.com)



## Free Manuals Download Website

<http://myh66.com>

<http://usermanuals.us>

<http://www.somanuals.com>

<http://www.4manuals.cc>

<http://www.manual-lib.com>

<http://www.404manual.com>

<http://www.luxmanual.com>

<http://aubethermostatmanual.com>

Golf course search by state

<http://golfingnear.com>

Email search by domain

<http://emailbydomain.com>

Auto manuals search

<http://auto.somanuals.com>

TV manuals search

<http://tv.somanuals.com>