

ST Back Screen Assembly Instructions



Treker ST 00 & 10 Series

Manual No. 701-134M

Before You Start



When you see this symbol, the subsequent instructions and warnings are serious - follow without exception. Your life and the lives of others depend on it!

IMPORTANT: Before you begin, read these instructions and check to be sure all parts and tools are accounted for. Please retain these installation instructions for future reference and parts ordering information.

Your ST Back Screen is exclusively designed for your Land Pride ST Treker. Please read these installation instructions and your ST Treker Operator's Manual thoroughly before beginning. Especially read information relating to safety concerns. Also included in the Operator's Manual is important information on operation, adjustment, troubleshooting, and maintenance for this attachment (some manual sections do not apply to all accessories).

General Information

These assembly instructions apply to the following ST Back Screen Accessories listed below:

700-033A ST Back Screen

Further Assistance

Your dealer wants you to be satisfied with your new ST Back Screen. If for any reason you do not understand any part of this manual or are not satisfied with the service received, the following actions are suggested:

1. Discuss the matter with your dealership service manager making sure he is aware of any problems you may have and that he has had the opportunity to assist you.
2. If you are still not satisfied, seek out the owner or general manager of the dealership, explain the problem and request assistance.
3. For further assistance write to:

Land Pride Service Department
1525 East North Street
P.O. Box 5060
Salina, Ks. 67402-5060

E-mail address
lpservicedept@landpride.com

Assembly Instructions

A detailed listing of parts for this accessory kit is provided on page 2. Use the list as a checklist to inventory parts received. Please contact your local Land Pride dealer for any missing hardware.

ALL DIRECTIONS REFERRING TO THE RIGHT AND LEFT ARE WHEN THE OPERATOR IS ON THE MACHINE.

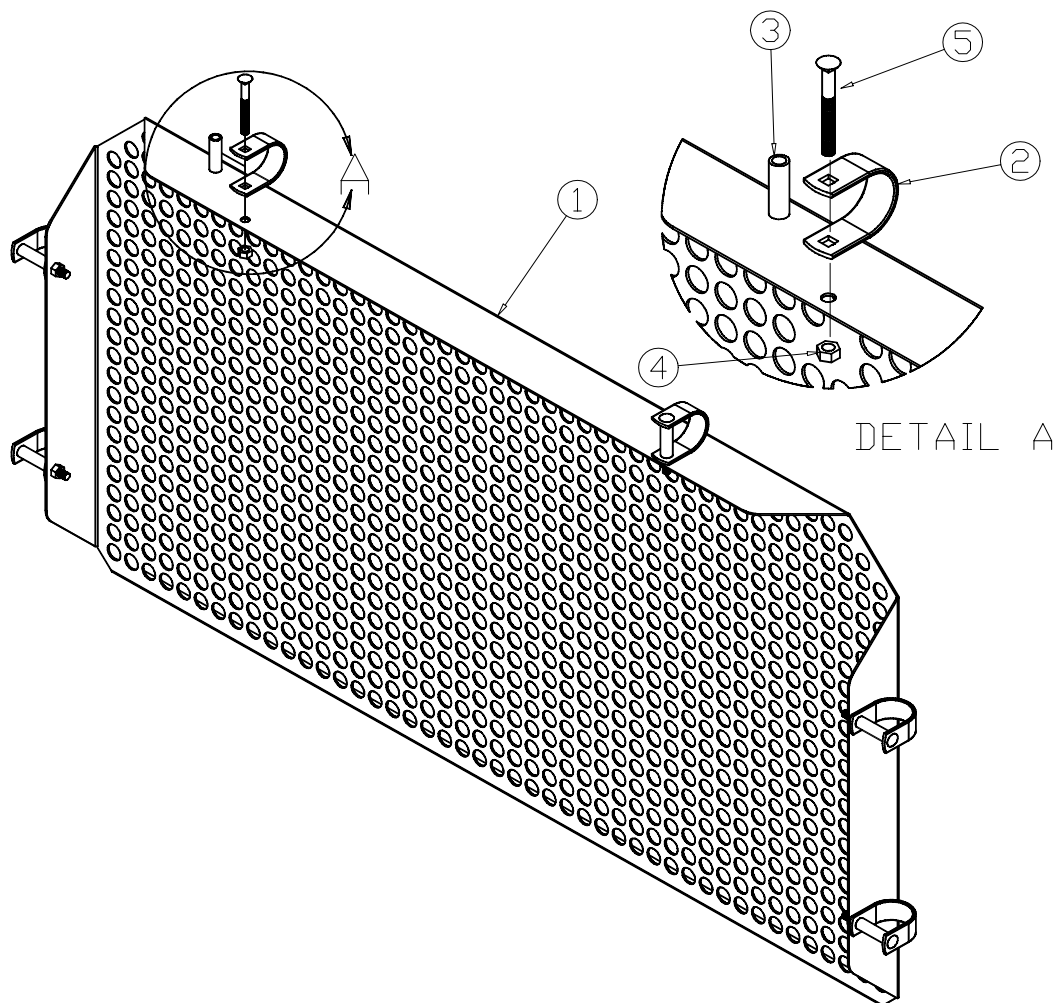


1. Space the six 1-3/4" U-Clamps (#2) and the six 1-1/2" U-Clamp Spacers (#3) on the roll cage.
2. Center the Back Screen (#1) in the inside of the roll cage.
3. Attach the Back Screen (#1) to the roll cage with the six 1-3/4" U-Clamps (#2) using six 5/16" x 2-1/2" bolts (#4) and the six 1-1/2" U-Clamp Spacers (#3).
4. Make adjustments to the Back Screen (#1) alignment as needed. Fully tighten attaching hardware at this time.

Listing of Parts

Kit No. 701-033A ST Back Screen

Item	Part No.	Part Description	Qty
1	701-033A	BACK SCREEN ST	1
2	UC134BLK	1 3/4" U-CLAMP	6
3	UCS112BLK	1 1/2" U-CLAMP SPACER	6
4	803-084C	NUT HEX NYLOCK 5/16-18 PLT	6
5	802-709C	RHSNB 5/16-18 X 2 1/2 PLT GR5	



Corporate Office: P.O. Box 5060
 Salina, Kansas 67402-5060 USA
www.landpride.com

Free Manuals Download Website

<http://myh66.com>

<http://usermanuals.us>

<http://www.somanuals.com>

<http://www.4manuals.cc>

<http://www.manual-lib.com>

<http://www.404manual.com>

<http://www.luxmanual.com>

<http://aubethermostatmanual.com>

Golf course search by state

<http://golfingnear.com>

Email search by domain

<http://emailbydomain.com>

Auto manuals search

<http://auto.somanuals.com>

TV manuals search

<http://tv.somanuals.com>