

Treker

4200 & 4400 NT ST Utility Vehicles



21107

700-108P **Parts Manual**



Read the Operator's manual entirely. When you see this symbol, the subsequent instructions and warnings are serious - follow without exception. Your life and the lives of others depend on it!

© Copyright 2009 Printed 02/19/09

Cover photo may show optional equipment not supplied with standard unit.





Table of Contents

Section 1: Introduction.....	4
Using This Manual.....	4
Manual Replacement Information.....	4
Manual Revisions.....	4
Touch-up Paint.....	4
Hardware Legend.....	5
Replacement Hardware.....	5
Serial Numbers.....	5
Part Number Service Coding.....	5

TREKER 00 SERIES

Section 2: Frame & Suspension.....	6
Lower Control Arm S/N 400269-.....	6
Lower Control Arm S/N 400270 To 407690.....	8
Lower Control Arm S/N 407691 to 464184 ST: S/N 407691 to 464880 NT.....	10
Lower Control Arm S/N 464185+ ST: S/N 464881+ NT.....	12
Main Frame.....	14
Shock Front.....	16
Shock Rear.....	18
Trailing Arm (S/N 464191-).....	20
Trailing Arm (S/N 464192+).....	22
Section 3: Steering Components.....	24
Steering Components (S/N 429606- NT) (S/N 434129- ST).....	24
Steering Components (S/N 429607+ NT) (S/N 434130+ ST).....	26
Section 4: Throttle.....	28
Throttle Components.....	28
Section 5: Brakes.....	30
Brake Drum Rear Components.....	30
Front Brake System.....	32
Front Disc Brake Components.....	34
Rear Brake System.....	36
Section 6: Drive Train.....	38
CV Driveshaft S/N 434125 to 437241.....	38
Drive Belt Components.....	40
Engine Mounting Honda.....	42
Front Differential Components.....	44
Front Differential, Axleshaft and Driveshaft.....	48
Shift Selector Components.....	50
Transaxle Rear and Axle Shafts.....	52
Transaxle Rear Components.....	54
Transfer Case and Rear Driveshaft S/N 484886- ST S/N 464194- NT.....	58
Transfer Case and Rear Driveshaft S/N 484887+ ST S/N 464195+ NT.....	60
Transfer Case Components.....	62

Section 7: Air Filtration.....	64
Air Filter Components, NT.....	64
Air Filter Components, ST.....	66
Section 8: Exhaust System.....	68
Exhaust Components (S/N 440720+).....	68
Exhaust Components NT & ST S/N 440719-).....	70
Section 9: Fuel System.....	72
Fuel System Components.....	72
Fuel System Components, NT.....	74
Section 10: Electrical System.....	76
Electrical Wiring NT S/N 464880- ST S/N 464184-.....	76
Electrical Wiring NT S/N 464881+ ST S/N 464185+.....	78
Electrical Wiring Schematic, Main 00 Series NT.....	80
Electrical Wiring Schematic, Main 00 Series ST.....	82
Instrument Panel, 4200 (S/N 418338-).....	84
Instrument Panel, 4200 (SN 418339 to 440716).....	86
Instrument Panel, 4400 (S/N 418338-).....	88
Instrument Panel, 4400 (S/N 418339 to 440713).....	90
Instrument Panel, 4200 (S/N 440714+).....	92
Instrument Panel, 4400 (S/N 440714+).....	94
Section 11: Four Post Accessory and Seats.....	96
Four Post Accessory Bar.....	96
Seat Components.....	98
Section 12: Panels and Shields.....	100
Panels and Shields, NT S/N (460319-).....	100
Panels and Shields, ST (S/N 460319-).....	102
Panels Shields & Choke Cable ST(S/N 460320+).....	104
Panels Shields & Choke Cable NT S/N (460320+).....	106
Section 13: Hood and Cargo Box.....	108
Cargo Box Components.....	108
Cargo Box Tilt Lock-Down Latch.....	110
Cargo Box Tilt Lock-Up Arm.....	112
Hood Components.....	114
Section 14: Tires.....	116
Front Tires.....	116
Rear Tires.....	118
Section 15: Decals.....	120
Decals.....	120
NT ST Camo and Decal Components.....	122
Section 16: Options.....	124
CVT Enclosure Kit.....	124
Front Bumpers.....	126
Part Number Index.....	128

© Copyright 2009. All rights reserved.

Land Pride provides this publication "as is" without warranty of any kind, either expressed or implied. While every precaution has been taken in the preparation of this manual, Land Pride assumes no responsibility for errors or omissions. Neither is any liability assumed for damages resulting from the use of the information contained herein. Land Pride reserves the right to revise and improve its products as it sees fit. This publication describes the state of this product at the time of its publication, and may not reflect the product in the future. The illustrations in this manual are not intended for safe and proper assembly or disassembly of equipment. The illustrations are intended for ordering parts only.

Land Pride is registered trademark.

All other brands and product names are trademarks or registered trademarks of their respective holders.

Printed in the United States of America.



Alphabetized Table of Contents

TREKER 00 SERIES

<p>A</p> <p>Air Filter Components, NT.....64</p> <p>Air Filter Components, ST.....66</p> <p>B</p> <p>Brake Drum Rear Components.....30</p> <p>C</p> <p>Cargo Box Components.....108</p> <p>Cargo Box Tilt Lock-Down Latch.....110</p> <p>Cargo Box Tilt Lock-Up Arm.....112</p> <p>CV Driveshaft S/N 434125 to 437241.....38</p> <p>CVT Enclosure Kit.....124</p> <p>D</p> <p>Decals.....120</p> <p>Drive Belt Components.....40</p> <p>E</p> <p>Electrical Wiring NT S/N 464880- ST S/N 464184-.....76</p> <p>Electrical Wiring NT S/N 464881+ ST S/N 464185+.....78</p> <p>Electrical Wiring Schematic, Main 00 Series NT.....80</p> <p>Electrical Wiring Schematic, Main 00 Series ST.....82</p> <p>Engine Mounting Honda.....42</p> <p>Exhaust Components (S/N 440720+).....68</p> <p>Exhaust Components NT & ST S/N 440719-).....70</p> <p>F</p> <p>Four Post Accessory Bar.....96</p> <p>Front Brake System.....32</p> <p>Front Bumpers.....126</p> <p>Front Differential Components.....44</p> <p>Front Differential, Axleshaft and Driveshaft.....48</p> <p>Front Disc Brake Components.....34</p> <p>Front Tires.....116</p> <p>Fuel System Components.....72</p> <p>Fuel System Components, NT.....74</p> <p>H</p> <p>Hood Components.....114</p> <p>I</p> <p>Instrument Panel, 4200 (S/N 418338-).....84</p> <p>Instrument Panel, 4200 (SN 418339 to 440716).....86</p> <p>Instrument Panel, 4400 (S/N 418338-).....88</p> <p>Instrument Panel, 4400 (S/N 418339 to 440713).....90</p> <p>Instrument Panel, 4200 (S/N 440714+).....92</p> <p>Instrument Panel, 4400 (S/N 440714+).....94</p> <p>L</p> <p>Lower Control Arm S/N 400269-.....6</p> <p>Lower Control Arm S/N 400270 To 407690.....8</p> <p>Lower Control Arm S/N 407691 to 464184 ST: S/N 407691 to 464880 NT.....10</p>	<p>Lower Control Arm S/N 464185+ ST: S/N 464881+ NT.....12</p> <p>M</p> <p>Main Frame.....14</p> <p>N</p> <p>NT ST Camo and Decal Components.....122</p> <p>P</p> <p>Panels and Shields, NT S/N (460319-).....100</p> <p>Panels and Shields, ST (S/N 460319-).....102</p> <p>Panels Shields & Choke Cable ST(S/N 460320+).....104</p> <p>Panels Shields & Choke Cable NT S/N (460320+).....106</p> <p>R</p> <p>Rear Brake System.....36</p> <p>Rear Tires.....118</p> <p>S</p> <p>Seat Components.....98</p> <p>Shift Selector Components.....50</p> <p>Shock Front.....16</p> <p>Shock Rear.....18</p> <p>Steering Components (S/N 429606- NT) (S/N 434129- ST).....24</p> <p>Steering Components (S/N 429607+ NT) (S/N 434130+ ST).....26</p> <p>T</p> <p>Throttle Components.....28</p> <p>Trailing Arm (S/N 464191-).....20</p> <p>Trailing Arm (S/N 464192+).....22</p> <p>Transaxle Rear and Axle Shafts.....52</p> <p>Transaxle Rear Components.....54</p> <p>Transfer Case and Rear Driveshaft S/N 484886- ST S/N 464194- NT.....58</p> <p>Transfer Case and Rear Driveshaft S/N 484887+ ST S/N 464195+ NT.....60</p> <p>Transfer Case Components.....62</p>
---	--

General Information

Using This Manual

This manual is divided into sections. The first section contains General Information. The remaining sections divide the machine into segments (i.e. Frames, Drives, Hydraulics, etc.) which illustrate and list all parts. A Parts Number Index is located at the back of the book.

The Land Pride parts in this manual are specially designed for this machine and should be replaced with Land Pride parts only.

The information in this manual is current at time of printing. Some parts may change to assure top performance.

Right-hand and left-hand as used in this manual are determined by facing the direction the machine will travel while in use.

Below is an example of two facing pages from a parts manual. Familiarize yourself with the type of information contained on these pages.

Manual Replacement Information

Replacement manuals are available. Refer to our website at www.landpride.com or e-mail us at lit@landpride.com for additional information. Our website continues to provide the most up-to-date manuals available.

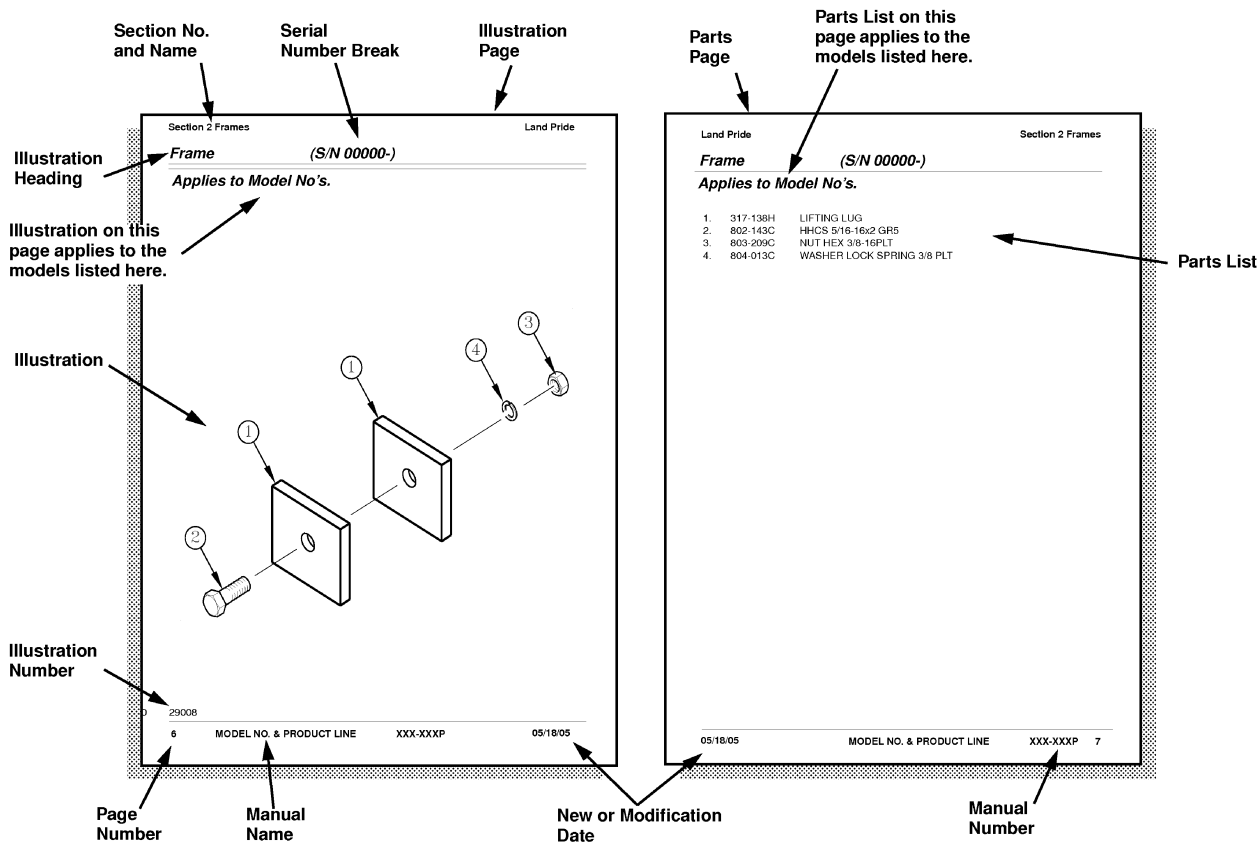
Touch-up Paint

Repaint parts where paint is worn or scratched to prevent rust. Aerosol cans and touch-up bottles with brush applicator are available through your local dealer. Land Pride color descriptions and part numbers are listed below. Also available are quart and gallon size paints. Add QT or GL to end of the Aerosol P/N.

Color	Product ¹	Aerosol	Touch-Up
Gloss Black	LP	821-032C	821-032CTU
Medium Gloss Black	UV	821-053C	821-053CTU
Beige	LP	821-011C	821-011CTU
Green	SLP	821-058C	821-058CTU
Orange	SLP	821-066C	821-066CTU
Red	SLP/UV	821-054C	821-054CTU
Blue	SLP/UV	821-067C	821-067CTU
Dark Green Sparkle	UV	821-055C	821-055CTU
Gondo Forest Green	UV	821-057C	821-057CTU
Brite Yellow ²	UV	821-056C	821-056CTU
Gondo Yellow ³	UV	821-059C	821-059CTU

Notes:

- 1 LP = All Land Pride Products except Utility Vehicles
SLP = Select Land Pride Products that are available in optional Green, Orange, Red, & Blue colors.
UV = Utility Vehicles
- 2 Used on Trekers and (Runabouts with S/N 407628-)
- 3 Used on Gondos and (Runabouts with S/N 407629+)



General Information

Hardware Legend

AR	As Required
BLADE	Blade Bolt
C	Cap Screw
CP	Cotter Pin
CPHSSS	Cup Point Hex Socket Set Screw
CPSHSS	Cup Point Square Head Set Screw
CPSQHSS	Cup Point Square Head Set Screw
CRFCHMS3	Cross Recess Flat Countersunk Head Machine Screw
CRPHMS	Cross Recess Pan Head Machine Screw
CRPHTF	Cross Recess Pan Head Thread Forming
CRRHMS	Cross Recess Round Head Machine Screw
CRTHMS	Cross Recess Truss Head Machine Screw
CSNB	Countersunk Square Neck Bolt
FHMS	Flat Head Machine Screw
FTC	Full Thread Cap Screw
H	Hex Nut
HCLN	Hex Center Lock Nut
HFLCS	Hex Flange Lock Cap Screw
HFS	Hex Flange Screw
HFSLN	Hex Flange Serrated Lock Nut
HFSS	Hex Flange Serrated Screw
HHCS	Hex Head Cap Screw or Metric Bolt
HSBHCS	Hex Socket Button Head Cap Screw
HSFCHCS	Hex Socket Flat Countersunk Head Cap Screw
HSHCS	Hex Socket Head Cap Screw
HSSS	Hex Socket Head Screw
HTLN	Hex Top Lock Nut
HWHCS	Hex Washer Head Cap Screw

HWHMS	Hex Washer Head Machine Screw
HXBHCS	Hex Socket Button Head Cap Screw
J	Hex Jam Nut
JIC	37 Degree Tapered Thread
L	Helical Spring Lock Washer
LUG	Lug Bolt
NFC	National Fine Cap Screw
NPSM	National Pipe Straight Mechanical
NPTF	National Pipe Taper Fuel
P	Wide Plain Washer
PHMS	Pan Head Machine Screw
PLOW	Plow Bolt
RHMS	Round Head Machine Screw
RHSNB	Round Head Square Neck Bolt
SCREW LEVELING	Leveling Screw
SCREW THUMB	Thumb Screw
SCREW WELD	Weld Screw
SFCHMS	Slotted Flat Countersunk Head Machine Screw
SFHMS	Slotted Fillister Head Machine Screw
SP	Special
SP SCREW	Special Screw
SQHSS	Square Head Set Screw
SRHMS	Slotted Round Head Machine Screw
SSS	Socket Set Screw
STCS	Self Tapping Cap Screw
STHMS	Slotted Truss Head Machine Screw
WHEEL	Wheel Studs and Hub Long Bolts
WING	Wing Bolt

Replacement Hardware

The **Hardware Legend** above lists hardware abbreviations used in the parts list. All bolts and nuts are Grade 5 unless otherwise noted. The use of improper grades of hardware can result in personal injury, damage to equipment, or loss of property.

Colored Replacement Parts

Land Pride offers replacement parts in factory standard colors and also on select models in Green, Orange, Red and Blue. Because of the variety of colors available, special attention must be given to the part number to prevent ordering the wrong replacement part.

A suffix number corresponding to one of the colors below must be added at the end of Land Pride's part number when ordering a replacement part with that color.

- | | |
|-----------------------------------|---------------------------------|
| 81 Green | 83 Red |
| 82 Orange | 84 Blue |

For example, if you are ordering a replacement part with part number 555-555C and the part you need is red, then add the suffix 83 to the end of the number to make the part number read 555-555C83. Parts ordered without a suffix number will be supplied in factory standard colors.

Black Replacement Parts

Some parts are factory standard black and some must be special ordered black. If your part is special ordered black, a second part number with the additional suffix number 85 on the end will be available. In this situation you must order that part with the suffix number for it to be black. Parts that are factory standard black will not have the suffix number.

Part Number Service Coding

Within the parts list some part numbers are coded for revisions and interchangeability. See notations in revision column.

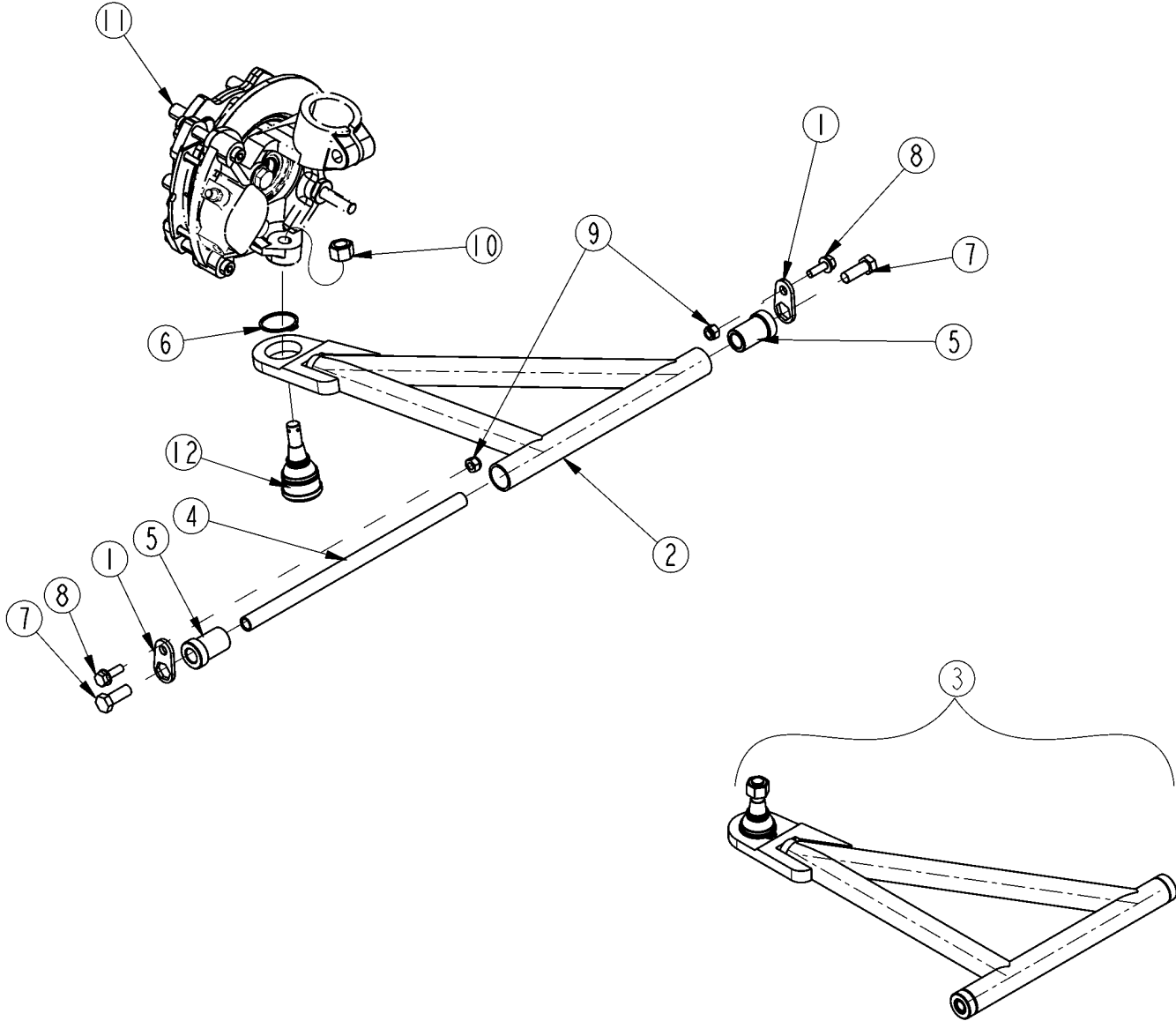
Serial Numbers

Always use the serial and model number when ordering parts. Refer to the Operator's Manual for serial number plate location.

- | | |
|----------------------|--|
| (S/N 20001+) | Includes serial numbers 20001 and above (to the latest number) |
| (S/N 10001 to 20000) | Includes serial numbers between and including 10001 and 20000 |
| (S/N 10000-) | Includes serial numbers 10000 and below (to the earliest number) |

Lower Control Arm S/N 400269-

Applies to 4200NT, 4200ST, 4400NT, 4400ST

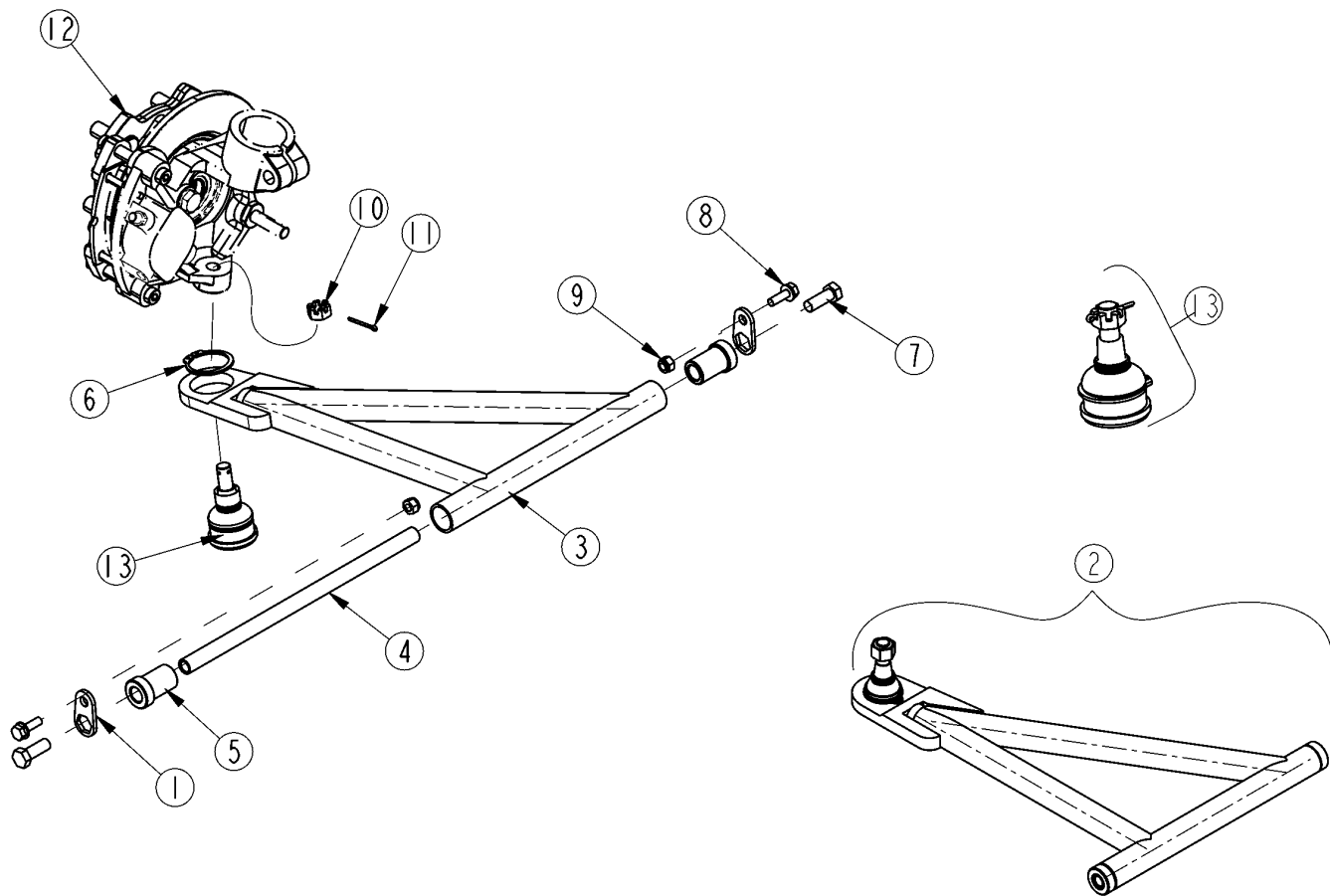


Lower Control Arm S/N 400269-**Applies to 4200NT, 4200ST, 4400NT, 4400ST**

Ref	Part No.	Part Description	Comments	Revision
	dwg21300	Drawing Image Number		
1.	700-004D	KEEPER PLATE		
2.	700-114H	FRONT A-ARM WELDMENT	For Both L.H. & R.H	
3.	700-116S	ARM CONTROL, RH-LOWER ASSEMBLY	Includes No. 2, 4, 5,6,10 & 12	
3.	700-110S	ARM CONTROL, LH-LOWER ASSEMBLY	Includes No. 2, 4, 5,6,10 & 12	
4.	700-138D	FNT CONTROL ARM SHAFT		
5.	700-139D	FNT CONTROL ARM BUSHING	Material Change To Reduce Wear S/N 454673+	
6.	800-359C	SNAP RING EXT 5100-125 1.25SFT		
7.	802-017C	HHCS 3/8-16X1 GR5		
8.	802-257C	HFSS 1/4-20X3/4 GR5	S/N (400210+)	Rev. 2
9.	803-255C	NUT HEX NYLOCK 1/4-20		
10.	803-340C	NUT HEX NYLOCK M12X1.25 PLT		
11.	700-256D	RH DISC BRAKE ASM 1/6 TAPER		
11.	700-257D	LH DISC BRAKE ASM 1/6 TAPER		
12.	840-124C	BALL JOINT 1/6 TAPER,M12X1.25	Does not include #8 & #15	

Lower Control Arm S/N 400270 To 407690

Applies to 4200NT, 4200ST, 4400NT, 4400ST



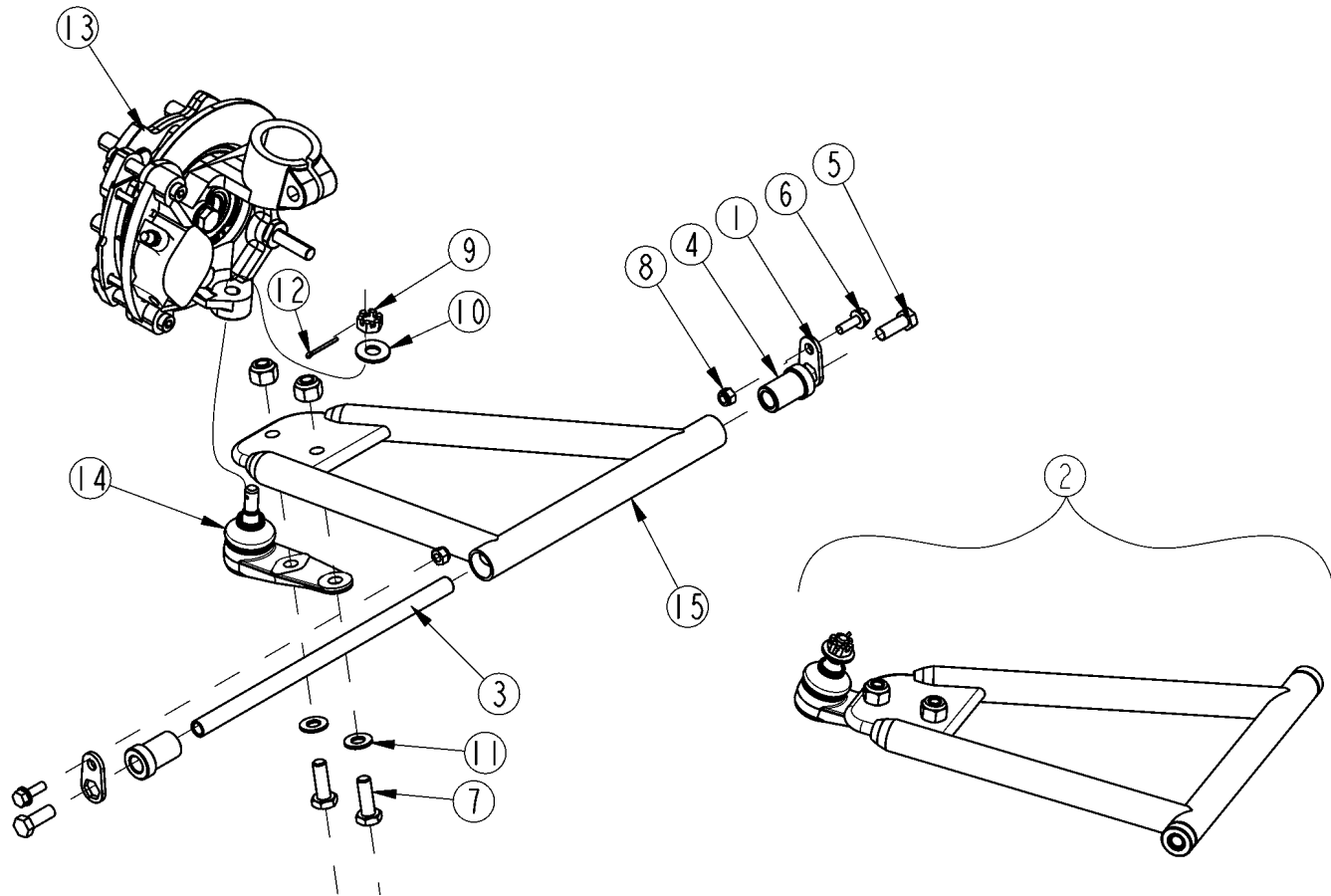
21313

Lower Control Arm S/N 400270 To 407690**Applies to 4200NT, 4200ST, 4400NT, 4400ST**

Ref	Part No.	Part Description	Comments	Revision
	dwg21313	Drawing Image Number		
1.	700-004D	KEEPER PLATE		
2.	700-117S	ARM CONTROL, RH-LOWER SIR SUB	Includes No. 3, 4, 5, 6, 10, 11 & 13	
2.	700-118S	ARM CONTROL, LH LOWER SIR SUB	Includes No. 3, 4, 5, 6, 10, 11 & 13	
3.	700-119H	FRONT A-ARM WELDMENT SIR		
4.	700-138D	FNT CONTROL ARM SHAFT		
5.	700-139D	FNT CONTROL ARM BUSHING	Material Change To Reduce Wear S/N 454673+	
6.	800-363C	SNAP RING EXT. 36MM DIN 471		
7.	802-017C	HHCS 3/8-16X1 GR5		
8.	802-257C	HFSS 1/4-20X3/4 GR5		
9.	803-255C	NUT HEX NYLOCK 1/4-20		
10.	803-341C	NUT HEX SLOTTED M10X1.25 PLT		
11.	805-063C	PIN COTTER 3/32 X 1 LONG		
12.	815-143C	RH DISC BRAKE ASM 172mm W/JNT		
12.	815-144C	LH DISC BRAKE ASM 172mm W/JNT		
13.	840-136C	BALL JOINT SIR	Includes #8, #15 & #16	

Lower Control Arm S/N 407691 to 464184 ST: S/N 407691 to 464880 NT

Applies to 4200NT, 4200ST, 4400NT, 4400ST

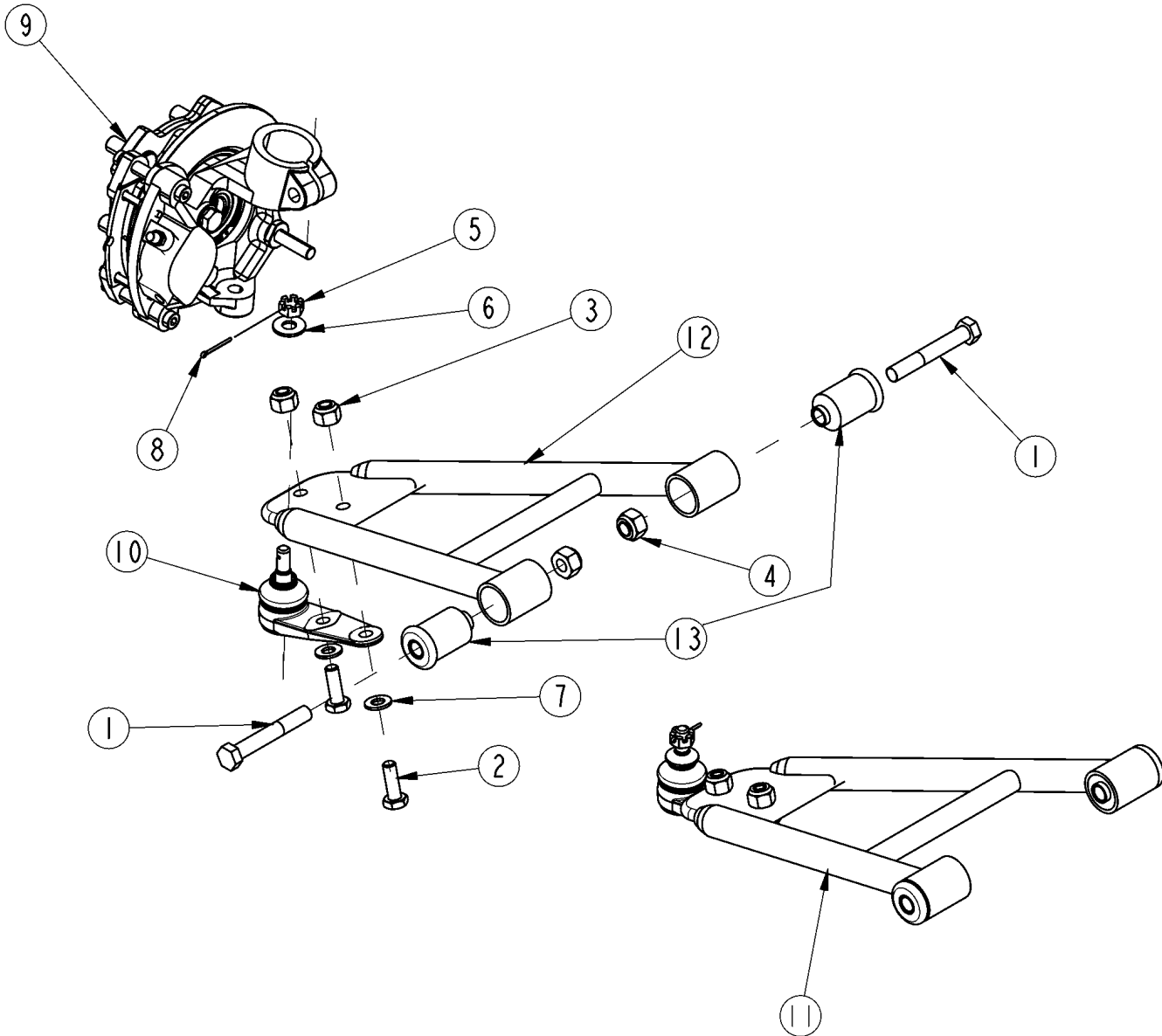


Lower Control Arm S/N 407691 to 464184 ST: S/N 407691 to 464880 NT**Applies to 4200NT, 4200ST, 4400NT, 4400ST**

Ref	Part No.	Part Description	Comments	Revision
	dwg21317	Drawing Image Number		
1.	700-004D	KEEPER PLATE		
2.	700-123S	RH A-ARM BOLT ON STYLE ASM	Includes No. 3, 4, 9, 10, 14 & 15	
2.	700-122S	LH A-ARM BOLT ON STYLE ASM	Includes No. 3, 4, 9, 10, 14 & 15	
3.	700-138D	FNT CONTROL ARM SHAFT		
4.	700-139D	FNT CONTROL ARM BUSHING	Material Change To Reduce Wear S/N 454673+	
5.	802-017C	HHCS 3/8-16X1 GR5		
6.	802-257C	HFSS 1/4-20X3/4 GR5		
7.	802-609C	HHCS M10X1.5X30 GR8.8		
8.	803-255C	NUT HEX NYLOCK 1/4-20		
9.	803-341C	NUT HEX SLOTTED M10X1.25 PLT		
10.	804-011C	WASHER FLAT 3/8 USS PLT		
11.	804-162C	WASHER FLAT M10 PLT		
12.	805-063C	PIN COTTER 3/32 X 1 LONG		
13.	815-143C	RH DISC BRAKE ASM 172mm W/JNT		
13.	815-144C	LH DISC BRAKE ASM 172mm W/JNT		
14.	840-137C	BALL JOINT BOLT ON SIR		
15.	840-138C	LH A-ARM W/BOLT ON BALL JOINT	Includes 14 & 15	
15.	840-139C	RH A-ARM W/BOLT ON BALL JOINT	Includes 14 & 15	

Lower Control Arm S/N 464185+ ST: S/N 464881+ NT

Applies to 4200NT, 4200ST, 4400NT, 4400ST



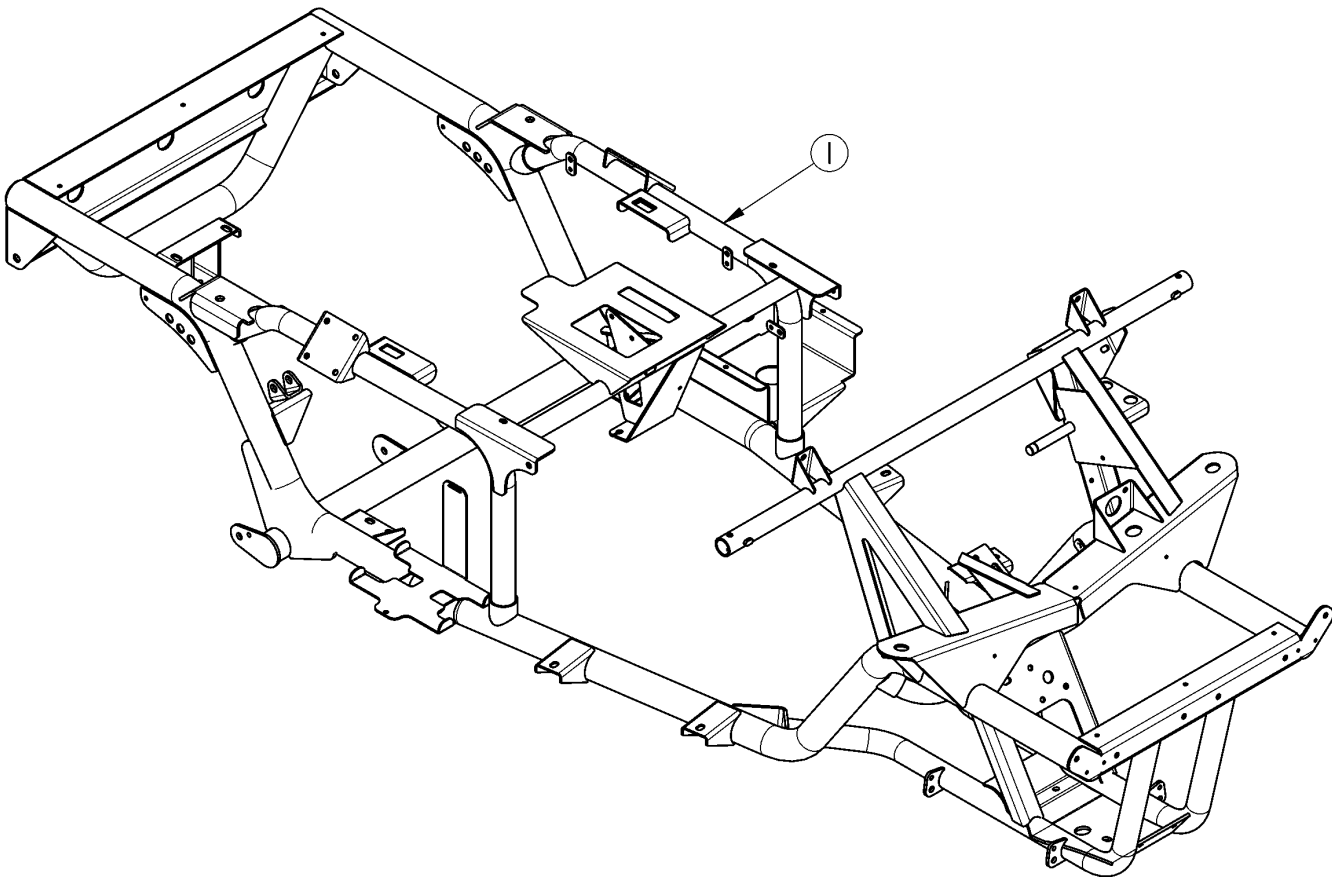
23791

Lower Control Arm S/N 464185+ ST: S/N 464881+ NT**Applies to 4200NT, 4200ST, 4400NT, 4400ST**

Ref	Part No.	Part Description	Comments	Revision
	dwg23791	Drawing Image Number		
1.	802-486C	HHCS M12X1.75X80 GR8.8 PLT		
2.	802-609C	HHCS M10X1.5X30 GR8.8		
3.	803-280C	NUT HEX NYLOCK M10X1.5 PLT		
4.	803-281C	NUT HEX NYLOCK M12X1.75 PLT		
5.	803-341C	NUT HEX SLOTTED M10X1.25 PLT		
6.	804-011C	WASHER FLAT 3/8 USS PLT		
7.	804-162C	WASHER FLAT M10 PLT		
8.	805-063C	PIN COTTER 3/32 X 1 LONG		
9.	815-143C	RH DISC BRAKE ASM 172mm W/JNT		
9.	815-144C	LH DISC BRAKE ASM 172mm W/JNT		
10.	840-137C	BALL JOINT BOLT ON SIR		
11.	840-227C	A-ARM, RIGHT ASSEMBLY	Includes No. 2, 3, 5, 6, 7, 8, 10, 12 & 13	
11.	840-226C	A-ARM, LEFT ASSEMBLY	Includes No. 2, 3, 5, 6, 7, 8, 10, 12 & 13	
12.	840-228C	A-ARM, NEW BUSHING		
13.	840-229C	BUSHING, A-ARM		

Main Frame

Applies to 4200NT, 4200ST, 4400NT, 4400ST



21207

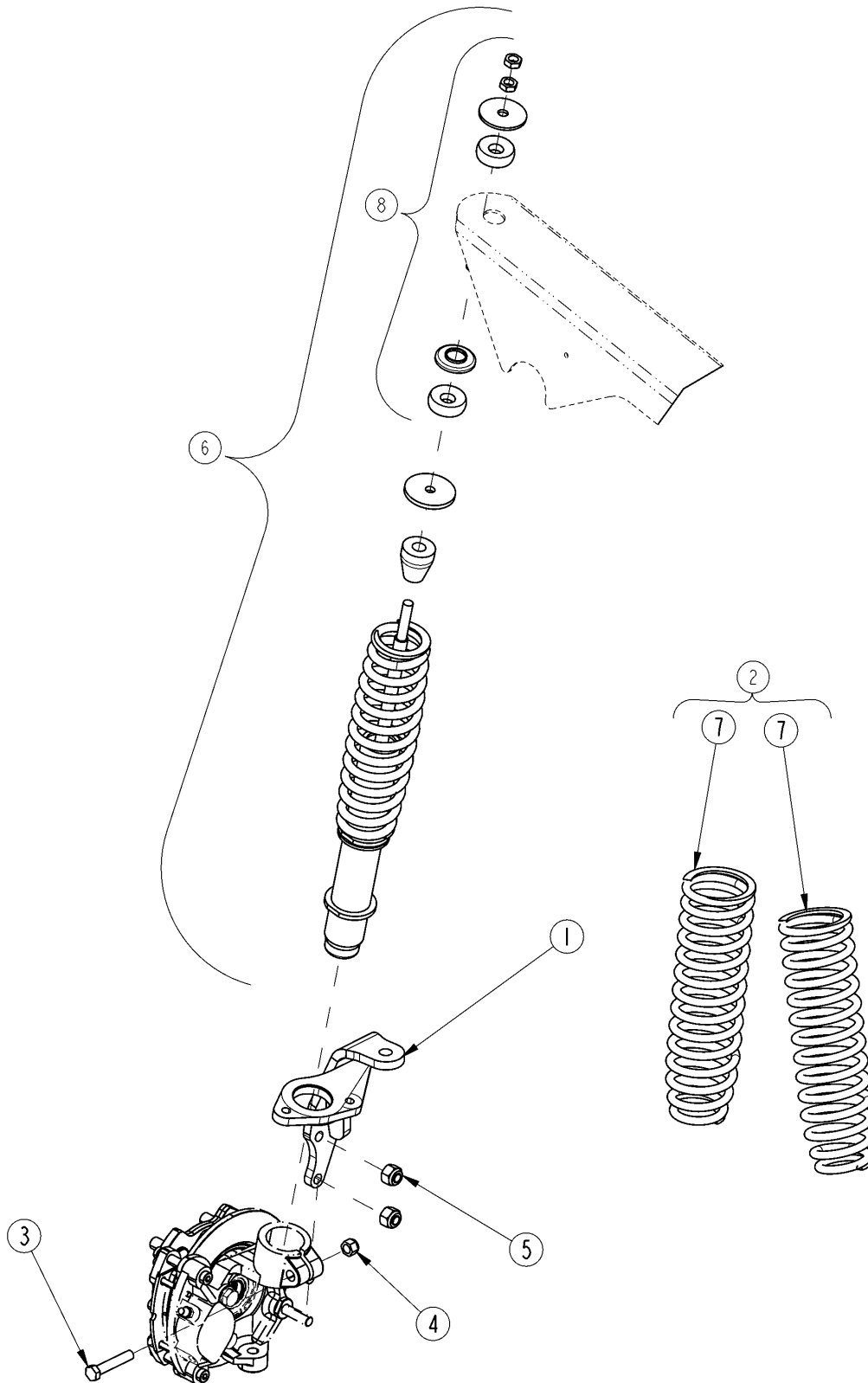
Main Frame

Applies to 4200NT, 4200ST, 4400NT, 4400ST

Ref	Part No.	Part Description	Comments	Revision
	dwg21207	Drawing Image Number		
1.	700-144A	SERV - NT MAIN FRAME W/DECALS	S/N 464880- Will Require Rplacement of Front & Rear Suspension	
1.	700-145A	SERV - ST MAIN FRAME W/DECALS	S/N 464184- Will Require Rplacement of Front & Rear Suspension	

Shock Front

Applies to 4200NT, 4200ST, 4400NT, 4400ST



23892

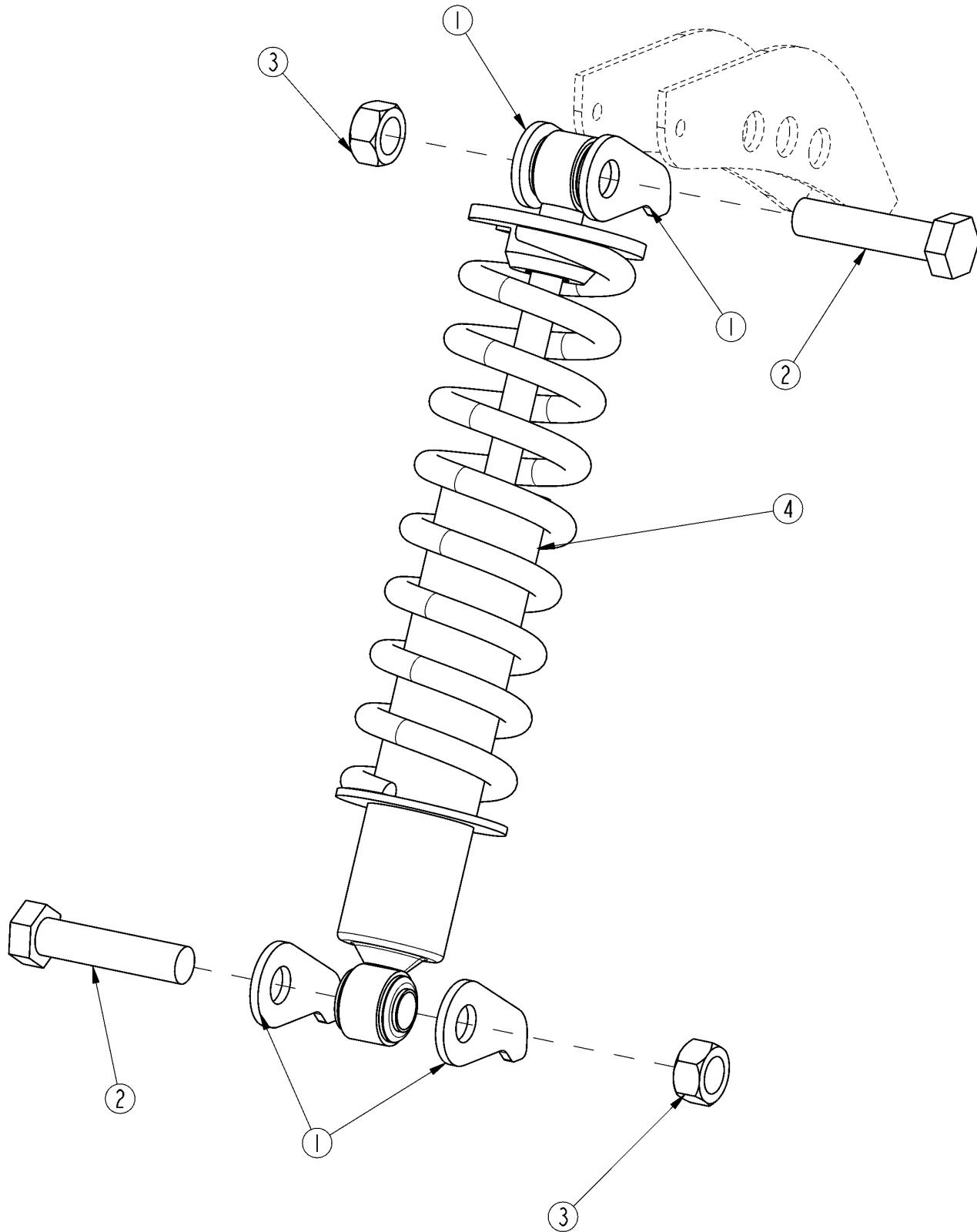
Shock Front

Applies to 4200NT, 4200ST, 4400NT, 4400ST

Ref	Part No.	Part Description	Comments	Revision
	dwg23892	Drawing Image Number		
	700-500A	TREKER SHOCK UPDATE KIT	(Update kit for units S/N 524740-) Contains 2 Ea. 840-321C	
		*		
1.	700-055H	STEERING BRACKET RIGHT		
1.	700-054H	STEERING BRACKET LEFT		
2.	701-193A	SPRINGS, ST TRUCK HI RATE	2 ea. Item 7	
3.	802-771C	HHCS 3/8-16X2 GR8 PLT		
4.	803-078C	NUT LOCK 3/8-16 NYLON INSERT		
5.	803-280C	NUT HEX NYLOCK M10X1.5 PLT		
6.	840-321C	SHOCK COIL/STRUT FRNT TRUCK	S/N 524741+	
6.	840-100C	SHOCK COIL/STRUT FRNT TRUCK	S/N 524740-	
7.	840-330C	SPRG, TRUCK FRT STRUT HI RATE		
8.	700-131A	STRUT TOP HARDWARE KIT		

Shock Rear

Applies to 4200NT, 4200ST, 4400NT, 4400ST



21210

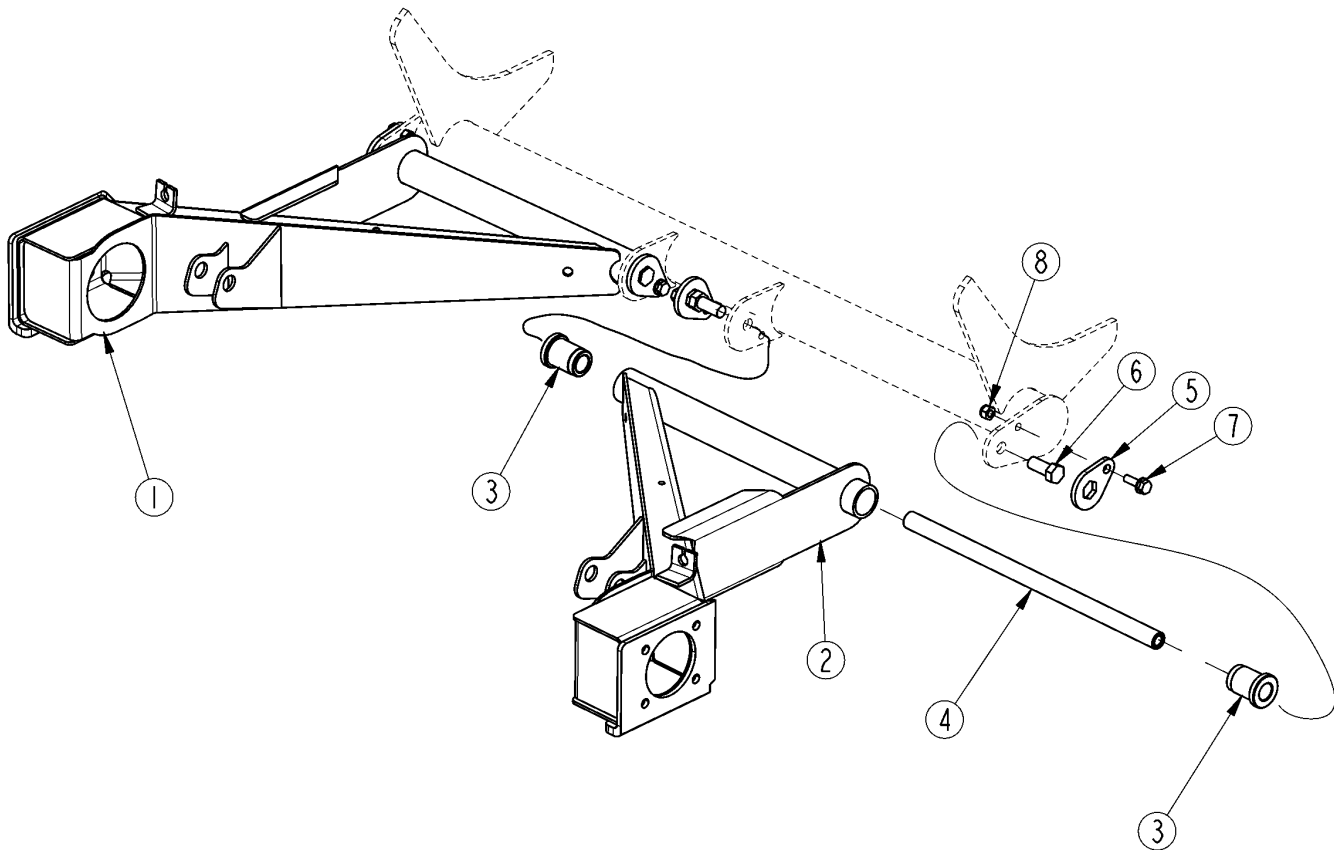
Shock Rear

Applies to 4200NT, 4200ST, 4400NT, 4400ST

Ref	Part No.	Part Description	Comments	Revision
	dwg21210	Drawing Image Number		
1.	700-212D	SHOCK SPACER PLATE		
2.	802-751C	HHCS M14X2.00X60 GR8.8		
3.	803-334C	NUT HEX NYLOCK M14X2.00		
4.	840-101C	SHOCK COIL REAR TRUCK		

Trailing Arm (S/N 464191-)

Applies to 4200NT, 4200ST, 4400NT, 4400ST



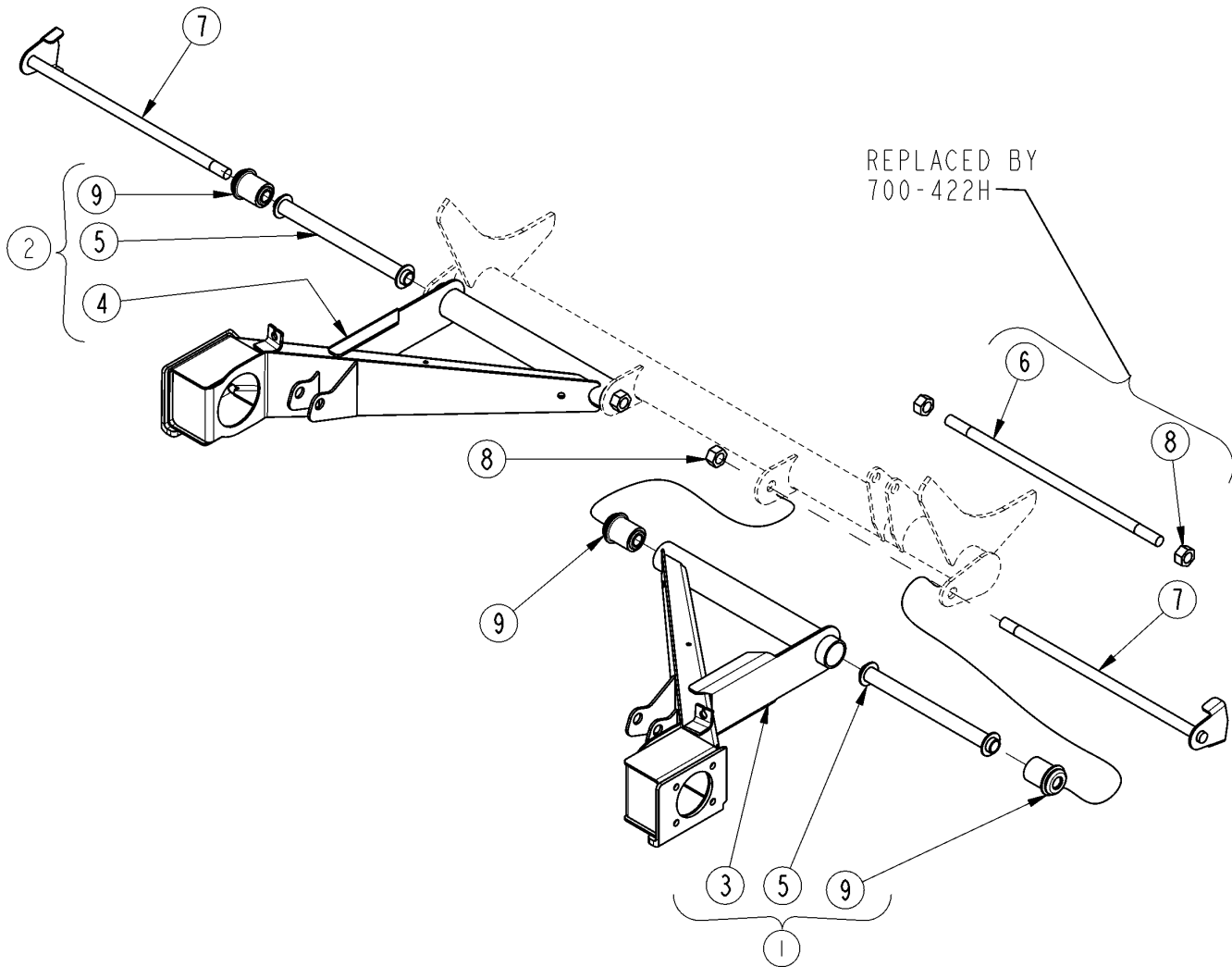
21209

Trailing Arm (S/N 464191-)**Applies to 4200NT, 4200ST, 4400NT, 4400ST**

Ref	Part No.	Part Description	Comments	Revision
	dwg21209	Drawing Image Number		
1.	700-004H	ARM, TRAILING, LH WELDMENT	NT & ST	
2.	700-005H	ARM, TRAILING, RH WELDMENT	NT & ST	
3.	700-018D	TRAILING ARM BUSHING	Material Change To Reduce Wear S/N 454673+	
4.	700-045D	SHAFT TRAILING ARM PIVOT		
5.	710-094D	KEEPER PLATE		
6.	802-080C	HHCS 7/16-14X1 GR5		
7.	802-257C	HFSS 1/4-20X3/4 GR5	S/N (400210+)	
7.	801-174C	HH DRILL SCREW 1/4 X 3/4LG	S/N (400209-) Drill out tapped hole and replace 1st revision with 2nd revision & #8	
8.	803-255C	NUT HEX NYLOCK 1/4-20	S/N (400210+)	

Trailing Arm (S/N 464192+)

Applies to 4200NT, 4200ST, 4400NT, 4400ST



23795

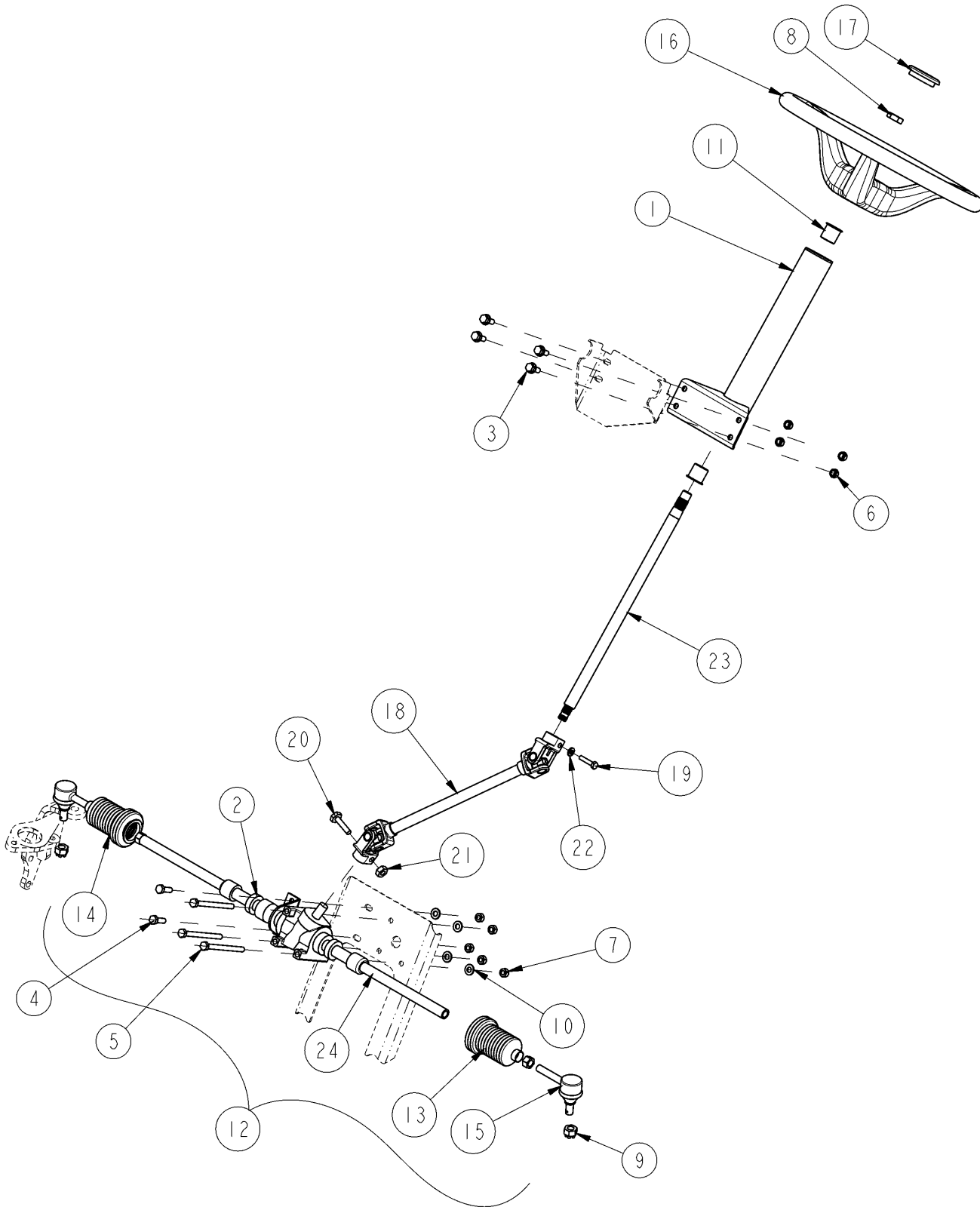
Trailing Arm (S/N 464192+)

Applies to 4200NT, 4200ST, 4400NT, 4400ST

Ref	Part No.	Part Description	Comments	Revision
	dwg21209	Drawing Image Number		
1.	700-256S	TRAILING ARM RH ASSY		
2.	700-257S	TRAILING ARM LH ASSY		
3.	700-262H	TRAILING ARM RH WELDMENT		
4.	700-263H	TRAILING ARM LH WELDMENT		
5.	700-371H	CENTER PIVOT TUBE WELDMENT		
6.	700-374D	RPBY 700-422H		
7.	700-422H	TRAILING ARM PIVOT BOLT WLDMNT		
8.	803-319C	NUT HEX TOP LOCK 9/16-12 YLW		
9.	817-517C	BUSHING IDLER ARM RUBBER		

Steering Components (S/N 429606- NT) (S/N 434129- ST)

Applies to 4200NT, 4200ST, 4400NT, 4400ST



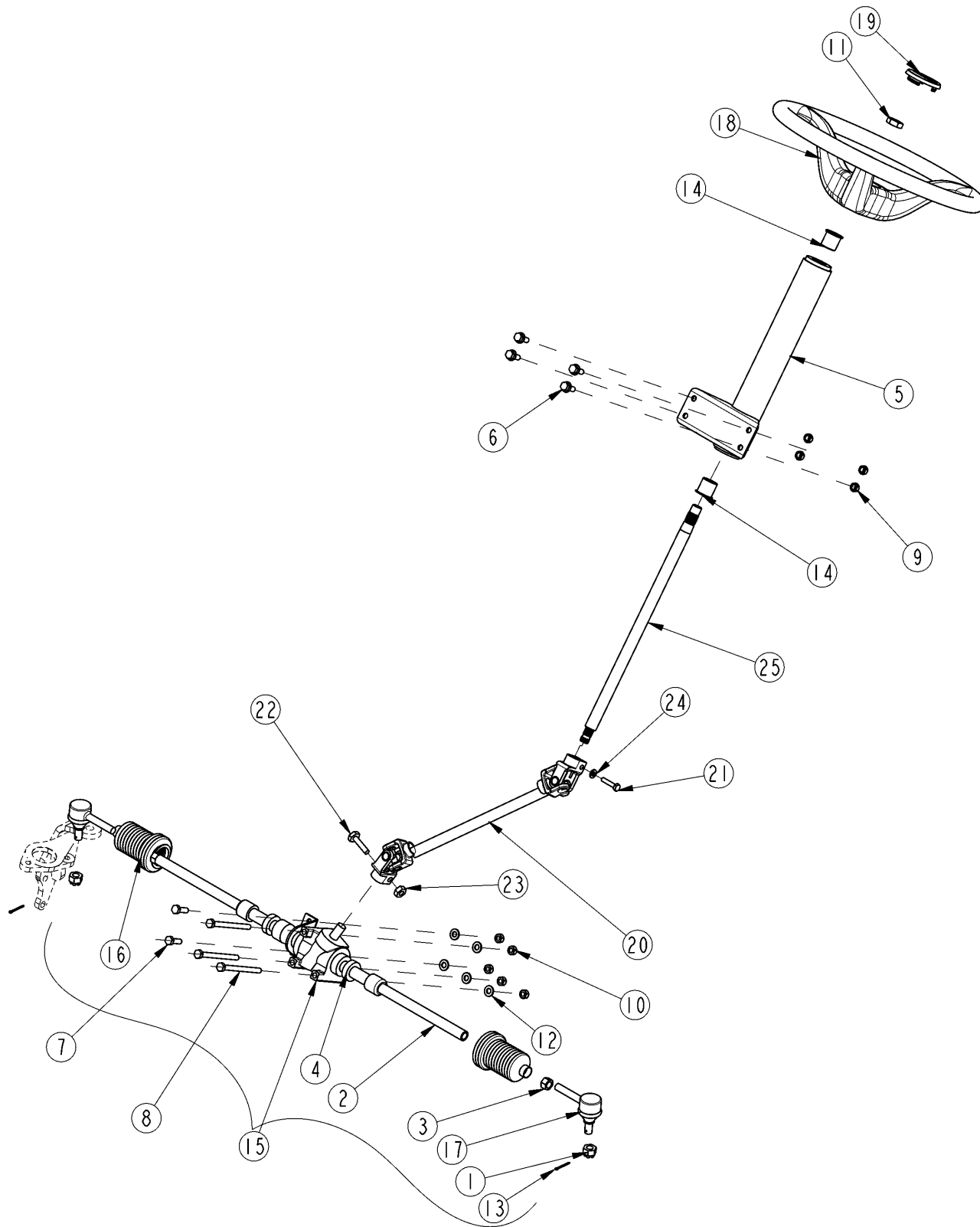
21220

Steering Components (S/N 429606- NT) (S/N 434129- ST)**Applies to 4200NT, 4200ST, 4400NT, 4400ST**

Ref	Part No.	Part Description	Comments	Revision
	dwg21220	Drawing Image Number		
1.	700-060H	STEERING COLUMN WELDMENT		
2.	700-273D	STEERING STOP BUSHING		
3.	802-387C	HFS 5/16-18X3/4 GR5		
4.	802-714C	HHCS M8X1.25X25 GR8.8 YLW PLT		
5.	802-760C	HHCS M8X1.25X100 GR8.8 PLT		
6.	803-084C	NUT HEX NYLOCK 5/16-18 PLT		
7.	803-278C	NUT HEX NYLOCK M8X1.25 PLT		
8.	803-283C	NUT HEX M16X2.00X8MM THK PLT		
9.	803-340C	NUT HEX NYLOCK M12X1.25 PLT		
10.	804-084C	WASHER FLAT 5/16 HARD ASTM F436		
11.	817-525C	BUSHING 1 OD X .75ID X 1		
12.	826-399C	RACK & PINION NT		
12.	826-400C	RACK & PINION ST		
13.	14083	BOOT LH FOR 826-399C/400C		
14.	14094	BOOT RH FOR 826-399C/400C		
15.	100050	TIE ROD END	Includes #9	
16.	840-064C	STEERING WHEEL		
17.	840-065C	STEERING WHEEL CAP		
18.	840-129C	LOWER STEERING SHAFT TRUCK ASSEMBLY		
19.	23035	BOLT FOR 840-093C		
20.	802-628C	HHCS M10X1.5X35 PLT		
21.	803-280C	NUT HEX NYLOCK M10X1.5 PLT		
22.	20061	SPRING WASHER FOR 840-093C		
23.	840-130C	UPPER STEERING SHAFT TRUCK ASSEMBLY		
24.	620250	MVL INNER TIE ROD END		

Steering Components (S/N 429607+ NT) (S/N 434130+ ST)

Applies to 4200NT, 4200ST, 4400NT, 4400ST



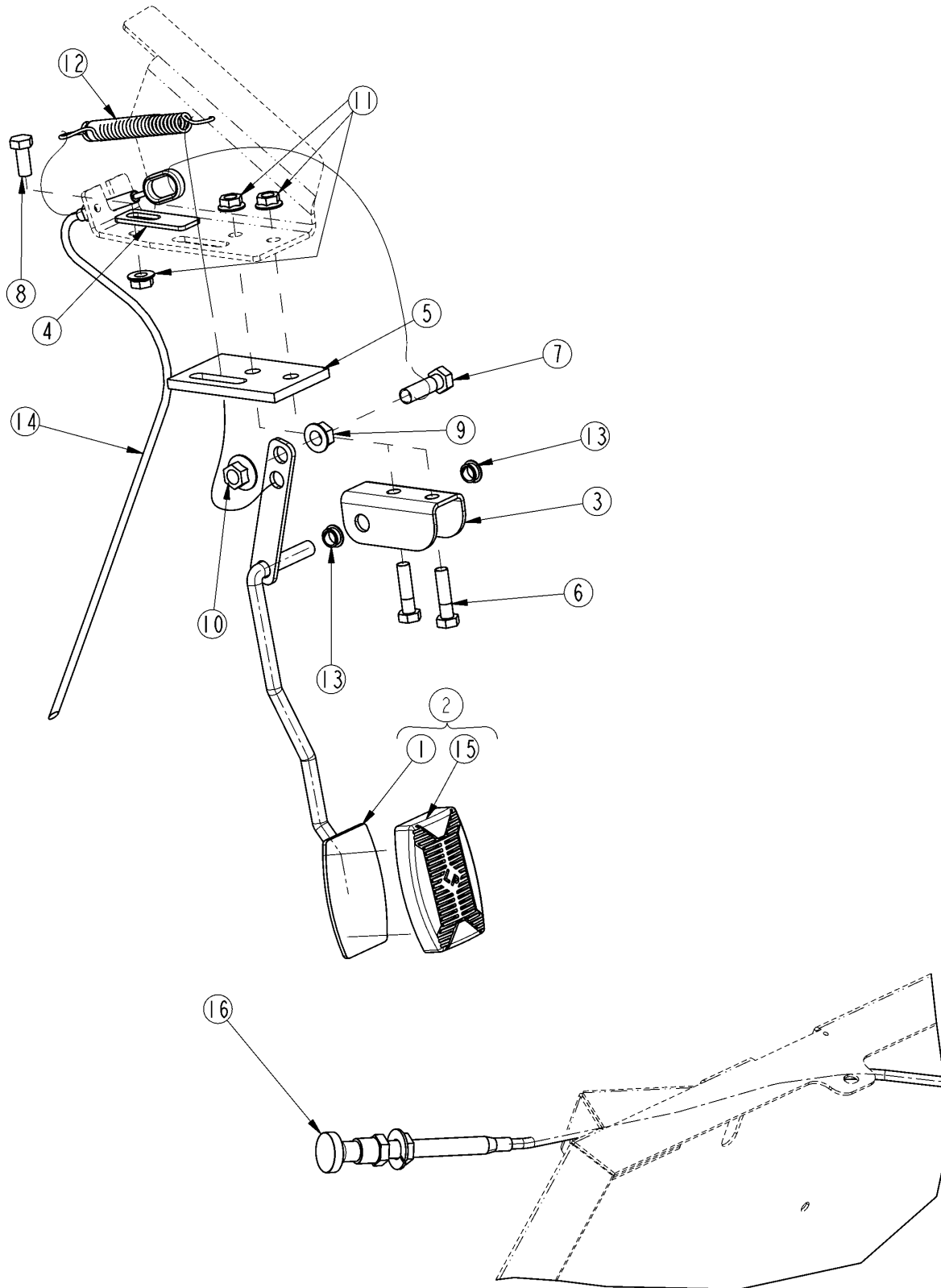
22117

Steering Components (S/N 429607+ NT) (S/N 434130+ ST)**Applies to 4200NT, 4200ST, 4400NT, 4400ST**

Ref	Part No.	Part Description	Comments	Revision
	dwg22117	Drawing Image Number		
1.	9175	NUT HEX SLOTTED M12X1.25 PLT		
2.	0680002	TIE ROD W/BALL 826-399C/400C		
3.	43142100	NUT HEX M14X1.5 PLT		
4.	47002300	SPACER 826-399C/400C		
5.	700-060H	STEERING COLUMN WELDMENT		
6.	802-387C	HFS 5/16-18X3/4 GR5		
7.	802-714C	HHCS M8X1.25X25 GR8.8 YLW PLT		
8.	802-760C	HHCS M8X1.25X100 GR8.8 PLT		
9.	803-084C	NUT HEX NYLOCK 5/16-18 PLT		
10.	803-278C	NUT HEX NYLOCK M8X1.25 PLT		
11.	803-283C	NUT HEX M16X2.00X8MM THK PLT		
12.	804-084C	WASHER FLAT 5/16 HARD ASTM F436		
13.	805-063C	PIN COTTER 3/32 X 1 LONG		
14.	817-525C	BUSHING 1 OD X .75ID X 1		
15.	826-399C	RACK & PINION NT		
15.	826-400C	RACK & PINION ST		
16.	0909001	BOOT 826-399C/400C		
17.	0180006	TIE ROD END 826-399C/400C		
18.	840-064C	STEERING WHEEL		
19.	840-065C	STEERING WHEEL CAP		
20.	840-093C	STEERING SHAFT TRUCK		
21.	23035	MVL BOLT FOR 840-093C		
22.	802-628C	HHCS M10X1.5X35 PLT		
23.	803-280C	NUT HEX NYLOCK M10X1.5 PLT		
24.	20061	MVL SPRING WASHER FOR 840-093C		
25.	840-130C	UPPER STEERING SHAFT TRUCK ASM		

Throttle Components

Applies to 4200NT, 4200ST, 4400NT, 4400ST



21264

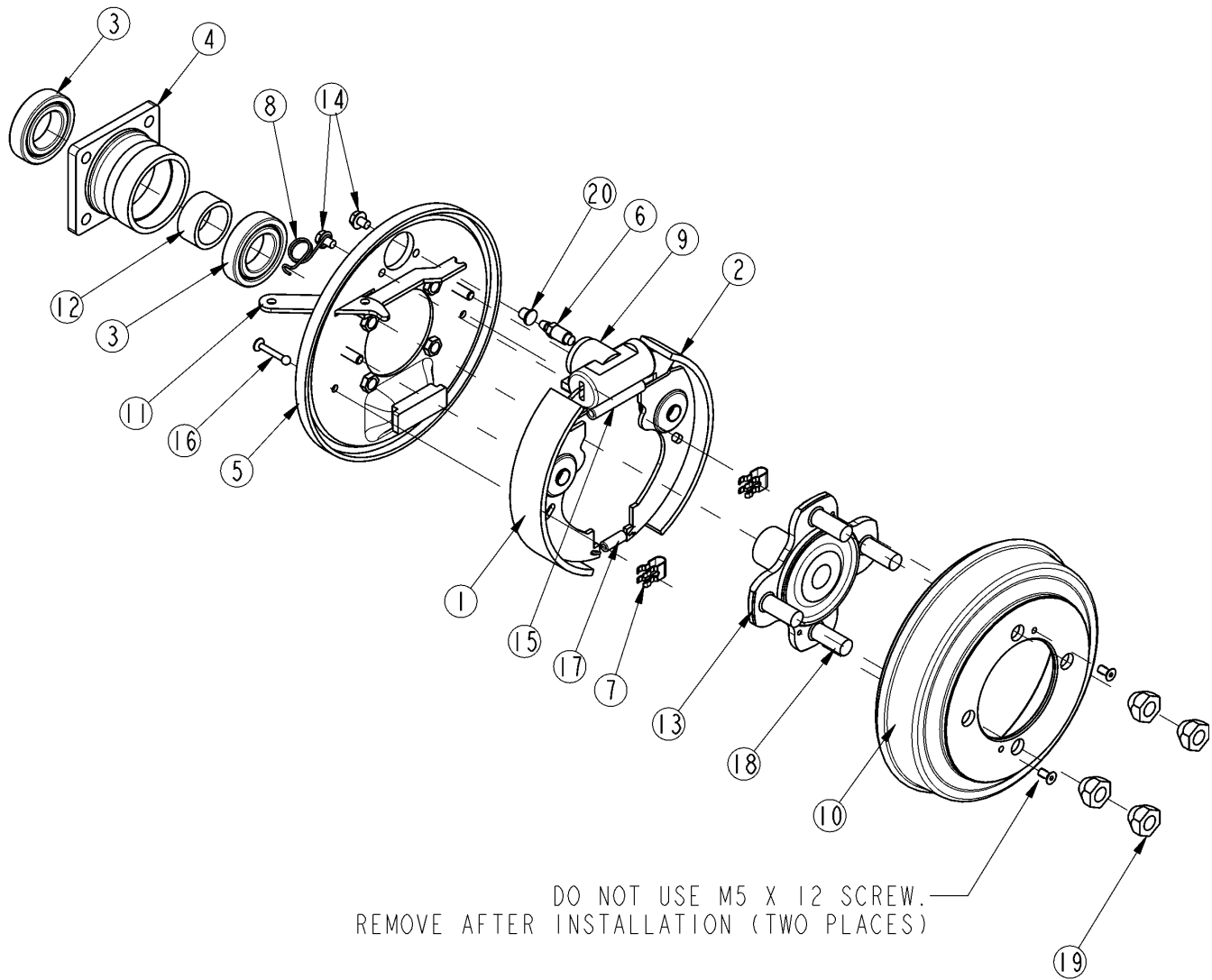
Throttle Components

Applies to 4200NT, 4200ST, 4400NT, 4400ST

Ref	Part No.	Part Description	Comments	Revision
	dwg21264	Drawing Image Number		
1.	700-127H	GAS PEDAL WELDMENT	S/N 412103+	
1.	700-058H	RPBY 700-128S	S/N 412102-	
2.	700-128S	GAS PEDAL W/PAD ASSEMBLY	Includes #1 & #14	
3.	700-129D	GAS PEDAL MOUNT		
4.	700-206D	GAS PEDAL ADJUSTMENT PLATE		
5.	700-254D	BODY MOUNT SPACER .25 THICK	S/N 409701+ (ST & NT Use as needed)	
5.	700-255D	BODY MOUNT SPACER .375 THICK	S/N 409701+ (ST & NT Use as needed)	
6.	802-010C	HHCS 5/16-18X1 1/4 GR5		
16.	840-261C	CHOKE CABLE ST		
7.	802-079C	HHCS 3/8-16X1 1/4 GR5		
8.	802-735C	HHCS 5/16-18X3/4 GR5 YELLOW DIE		
9.	803-068C	NUT HEX FLANGE 3/8-16 PLT		
10.	803-086C	NUT MAC-LOK FLG 3/8-16 GR F		
11.	803-177C	NUT HEX LOCK 5/16-18 FLG.		
12.	807-227C	SPRING EXT .5OD .075W 2.75LG		
13.	817-540C	BUSHING NYLON 3/8ID (SNAP IN)		
14.	840-002C	THROTTLE CABLE		
15.	840-134C	BRAKE/ACCELERATOR PEDAL RUBBER		
16.	840-261C	CHOKE CABLE NT	NT UNIT S/N 460320+	
16.	840-241C	CHOKE CABLE ST	ST UNIT S/N 460320	

Brake Drum Rear Components

Applies to 4200NT, 4200ST, 4400NT, 4400ST

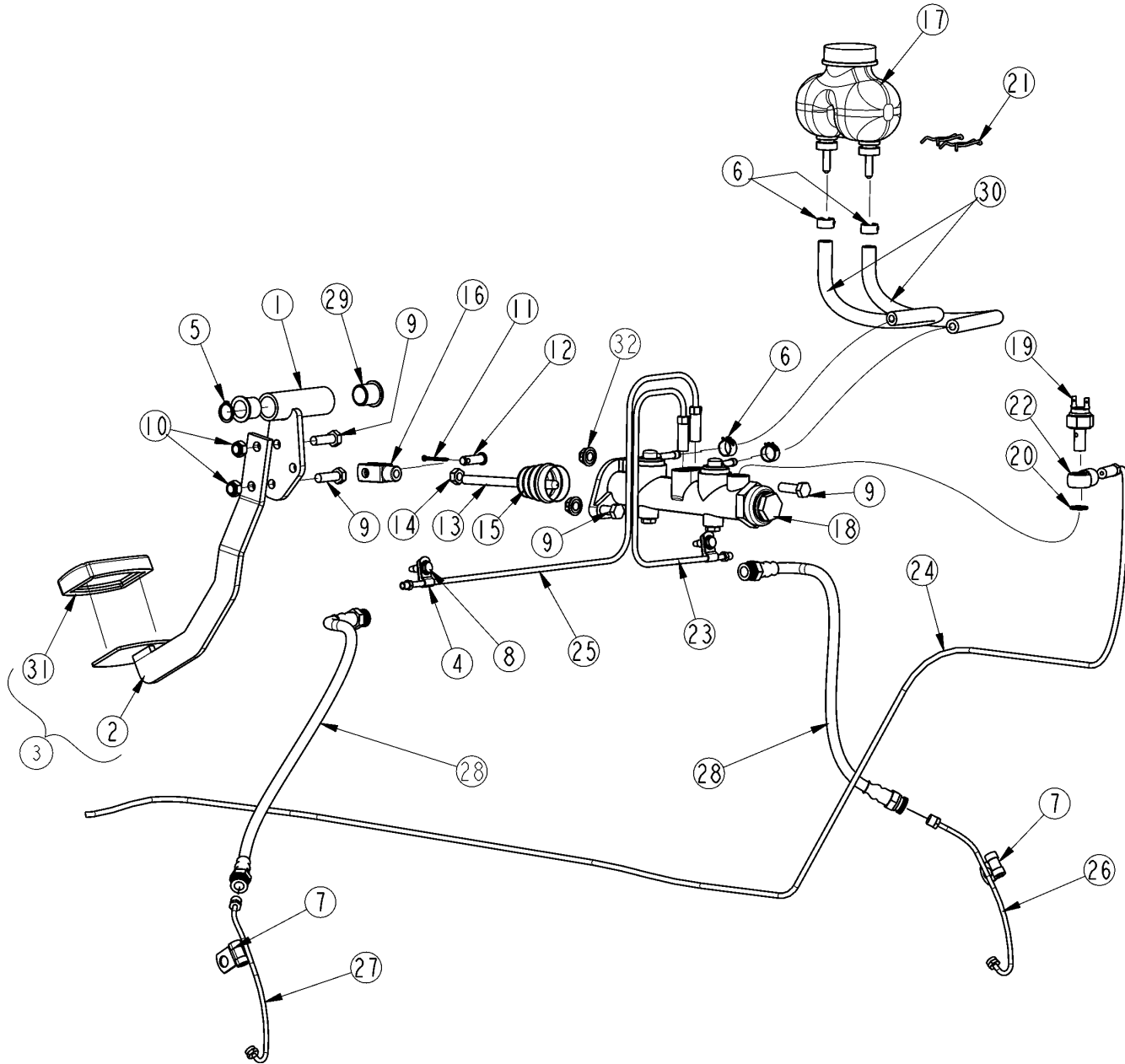


Brake Drum Rear Components**Applies to 4200NT, 4200ST, 4400NT, 4400ST**

Ref	Part No.	Part Description	Comments	Revision
	dwg21159	Drawing Image Number		
	815-145C	RH DRUM ASM 180mm 4 ON 4" BC	ITEM 19 NOT INCLUDED	
	815-146C	LH DRUM ASM 180mm 4 ON 4" BC	ITEM 19 NOT INCLUDED	
1.	F136	LEFT SHOE		
2.	F137	RIGHT SHOE		
3.	F777	BALL BEARING		
4.	F855	BEARING HOLDER HUB		
5.	F179	BRAKE SHOE DISC RH		
5.	F178	BRAKE SHOE DISC LH		
6.	F827	BLEEDER SCREW		
7.	F622	SHOES LOCKING SPRING		
8.	F792	RIGHT SPRING/HAND BRAKE LEVER		
8.	F793	LEFT SPRING/HAND BRAKE LEVER		
9.	F261	HYDRAULIC CYLINDER		
10.	F908	DRUM		
11.	F176	RIGHT LEVERS SET		
11.	F177	LEFT LEVERS SET		
12.	F852	CMX SPACER		
13.	F175	BRAKE FLANGE HUB W/STUDS		
14.	F258	SCREW M6 x 40		
15.	F610	UPPER RETURN SPRING		
16.	F621	SPRING PIN		
17.	F609	LOWER RETURN SPRING		
18.	F909	STUD		
19.	803-329C	NUT LUG 1/2-20 x 60 DEG PLT (.81AF)		
20.	F828	BOOT		

Front Brake System

Applies to 4200NT, 4200ST, 4400NT, 4400ST



21219

Front Brake System

Applies to 4200NT, 4200ST, 4400NT, 4400ST

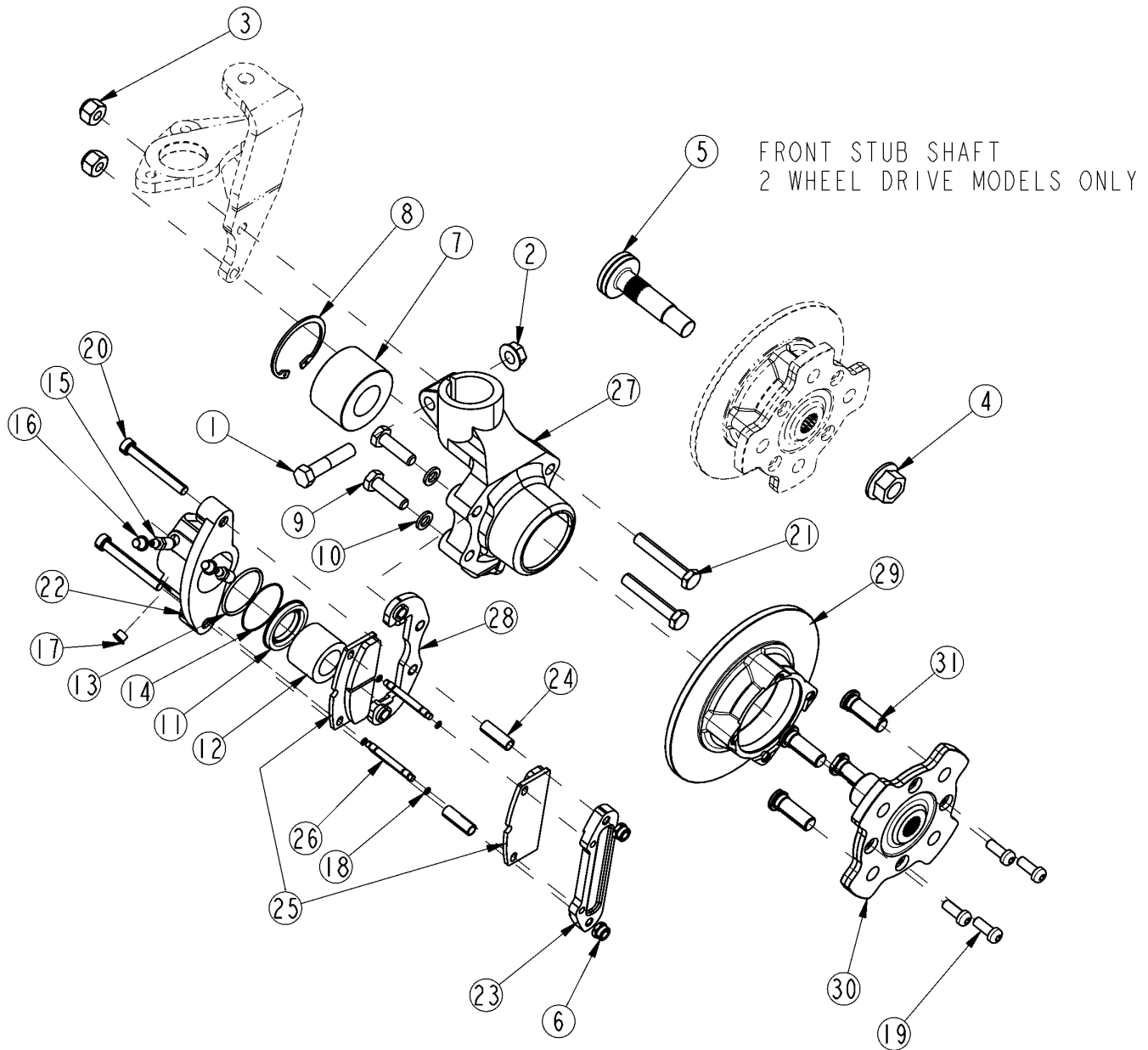
Ref	Part No.	Part Description	Comments	Revision
	dwg21219	Drawing Image Number		
1.	700-056H	BRAKE PEDAL PIVOT WELDMENT		
2.	700-342H	BRAKE PEDAL ARM WELDMENT	S/N 464192+	
2.	700-126H	BRAKE PEDAL ARM WELDMENT	S/N 412103 to 464191	Rev. 2
2.	700-057H	RPBY 700-129S	S/N 412102-	Rev 1; Use up stock
3.	700-341S	BRAKE PEDAL W/ PAD ASSEMBLY	S/N 464192+ Includes #2 & #31	
3.	700-129S	BRAKE PEDAL W/PAD ASSEMBLY	S/N 464191- Includes #2 & #31	
4.	800-347C	WIRING/TUBE CLIP FOR 1/4 OD		
5.	800-355C	RETAINING RING 5/8 EXT.		
6.	800-356C	CLAMP PINCH FOR .50 OD HOSE		
7.	800-360C	HOSE CLAMP 1/4 ID		
8.	801-174C	HH DRILL SCREW 1/4 x 3/4 LG		
9.	802-738C	HHCS 5/16-18 x 1 GR5 YELLOW DIE		
10.	803-084C	NUT HEX NYLOCK 5/16-18 PLT		
11.	805-063C	PIN COTTER 3/32 x 1 LONG		
12.	805-066C	PIN CLEVIS 5/16 x 1		
13.	815-150C	MASTER CYLINDER PUSH ROD		
14.	815-151C	JAM NUT MASTER CYL. PUSH ROD		
15.	815-152C	MASTER CYLINDER BOOT		
16.	815-154C	MASTER CYLINDER CLEVIS		
17.	815-155C	DUAL RESEVOIR BRAKE FLUID W/CAP		
18.	815-156C	DUAL MASTER CYLINDER		
19.	815-157C	MASTER CYLINDER PRESS. SWITCH		
20.	815-158C	MSTR CYL CPPR WSHR 16X10X1.5MM		
21.	815-163C	MASTER CYLINDER RESERVOIR CLIP		
22.	815-167C	BULK HEAD FLOW THROUGH		
23.	815-173C	FRONT BRAKE LINE LH		
24.	815-186C	NT STEEL BRAKE LINE		
24.	815-175C	ST STEEL BRAKE LINE		
25.	815-187C	FRONT BRAKE LINE 15 1/4 RH NT		
25.	815-174C	FRONT BRAKE LINE 21 1/4 RH ST		
26.	815-190C	FRNT BRAKE LINE END LH STEEL		
27.	815-196C	FRNT BRAKE LINE END RH STEEL		
28.	815-210C	BRAKE LINE RBR 17" M10 x 1 FEMALE		
29.	817-526C	BUSHING 3/4 OD x 5/8 ID x 3/4 FLG HD		
30.	840-104C	12.5" FUEL LINE/HYDRAULIC FLUID RESVOIR.		
31.	840-134C	BRAKE/ACCELERATOR PEDAL RUBBER	S/N 412103+	
32.	803-177C	NUT HEX FLG TOP LK 5/16-18 YLW		

*
***IMPORTANT NOTES:**

1. Brake fluid type = DOT 3
2. Fluid capacity = Fill to line on reservoir

Front Disc Brake Components

Applies to 4200NT, 4200ST, 4400NT, 4400ST

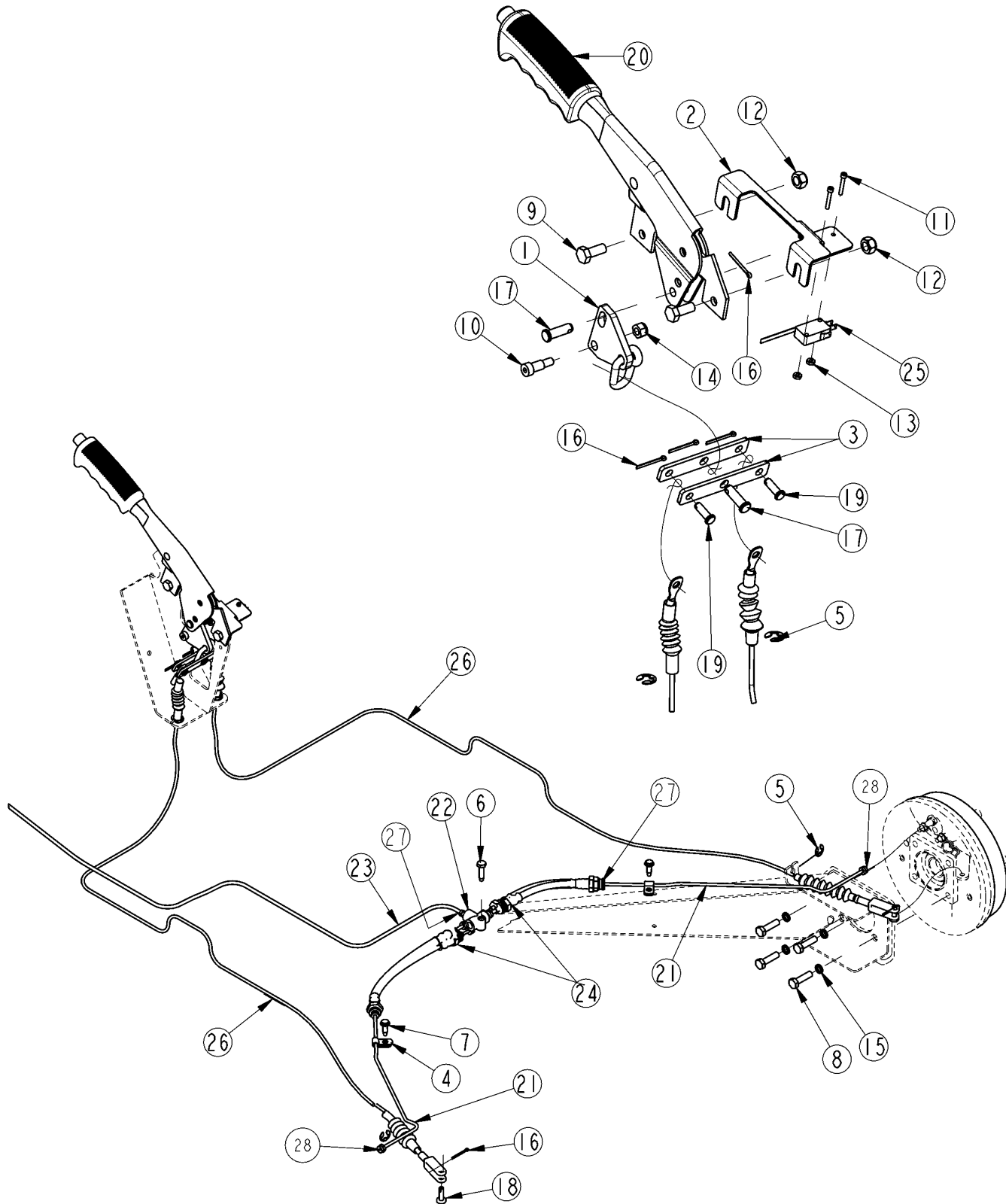


Front Disc Brake Components**Applies to 4200NT, 4200ST, 4400NT, 4400ST**

Ref	Part No.	Part Description	Comments	Revision
	dwg21221	Drawing Image Number		
	815-143C	RH DISC BRAKE ASM 172mm W/JNT	(S/N 400270+) Does not include #3, #4 & #5	Rev. 2
	700-256D	RH DISC BRAKE ASM 1/6 TAPER	(S/N 400269-) Does not include #3, #4 & #5	Rev. 1
	815-144C	LH DISC BRAKE ASM 172mm W/JNT	(S/N 400270+) Does not include #3, #4 & #5	Rev. 2
	700-257D	LH DISC BRAKE ASM 1/6 TAPER	(S/N 400269-) Does not include #3, #4 & #5	Rev. 1
1.	802-589C	HHCS 7/16-14X2 GR5		
2.	803-229C	NUT HEX FLANGE LOC 7/16-14 PLT		
3.	803-280C	NUT HEX NYLOCK M10X1.5 PLT		
4.	803-332C	NUT HEX M16X1.5 TOP LOCK PLT		
5.	815-147C	FRNT DISC BRAKE STUB SHAFT 2WD		
6.	D2041	NUT M8		
7.	F763	BALL BEARING 60,05X30X37		
8.	F765	SEEGER		
9.	F772	SCREW M 10 X 1.25 X 35		
10.	F773	GROWER 10		
11.	F824	DUST BOOT RING		
12.	F822	CAP		
13.	F823	SEALING RING		
14.	F820	RUBBER DUST BOOT		
15.	F827	BLEEDER SCREW		
16.	F828	BOOT		
17.	F829	PLUG		
18.	F832	ELASTIC RING		
19.	F845	SCREW M8 X 20		
20.	F774	SCREW M8 X 65		
21.	F799	HHS M10X1.5X50 PLT		
22.	F813	CALIPER BODY		
23.	F815	REACTION BRACKET		
24.	F818	SPACER		
25.	F1004	BRAKE PAD KIT (PER WHEEL)		
26.	F826	PIN		
27.	F840	WHEEL PIVOT	S/N 400270+	Rev. 2
27.	700-219D	WHEEL PIVOT	S/N 400269-	Rev. 1
28.	F834	CALIPER CLAMPING PLATE		
29.	F843	DISC BRAKE		
30.	F181	CMEX FLANGE WITH STUDS		Rev. 2
30.	F896	RPBY F181		Rev. 1
31.	F909	STUD		

Rear Brake System

Applies to 4200NT, 4200ST, 4400NT, 4400ST



21223

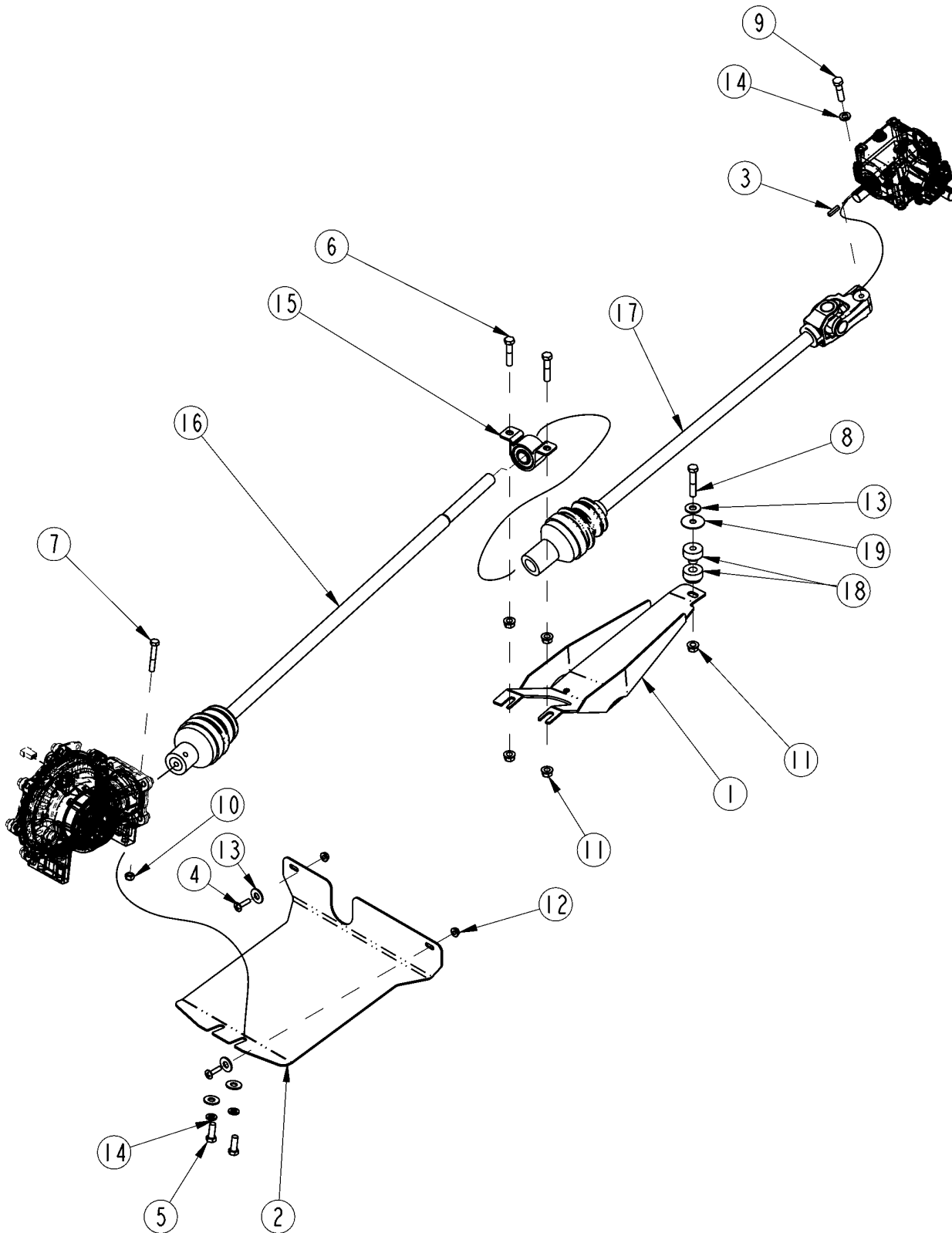
Rear Brake System

Applies to 4200NT, 4200ST, 4400NT, 4400ST

Ref	Part No.	Part Description	Comments	Revision
	dwg21233	Drawing Image Number		
1.	700-021H	EQUALIZER PARK BRAKE WLDMENT		
2.	700-238D	MICRO-SWITCH PARK BRAKE BRACKET		
3.	710-069D	EQUILIZER PARK BRAKE		
4.	800-347C	WIRING/TUBE CLIP FOR 1/4 OD		
5.	800-351C	E RETAINING RING EXTERNAL		
6.	801-151C	SCR HEX SELF TAP 1/4-20 x 1 TYPE F		
7.	801-174C	HH DRILL SCREW 1/4 x 3/4 LG		
8.	802-731C	HHCS M8X1.25 x 30 GR10.9 YLW PLT		
9.	802-735C	HHCS 5/16-18X3/4 GR5 YELLOW DI		
10.	802-740C	SHLDR BLT 5/16 x.50 1/4-20UNC		
11.	802-773C	HSHCS #4-40 x 3/4		
12.	803-084C	NUT HEX NYLOCK 5/16-18 PLT		
13.	803-211C	NUT HEX #4-40 PLT		
14.	803-255C	NUT HEX NYLOCK 1/4-20		
15.	804-157C	WASHER SPRING LOCK M8 PLT		
16.	805-063C	PIN COTTER 3/32 x1 LONG		
17.	805-066C	PIN CLEVIS 5/16 x1 BEE IND.		
18.	805-336C	CLEVIS PIN 6MM x 16MM USABLE LENGTH		
19.	805-342C	PIN CLEVIS 1/4 x 3/4		
20.	815-153C	PARK BRAKE LEVER		
21.	815-165C	REAR BRAKE LINE 28.3		
22.	815-178C	FITTING 3 WAY HYDRAULIC		
23.	815-186C	NT STEEL BRAKE LINE		
23.	815-175C	ST STEEL BRAKE LINE		
24.	815-211C	REAR RUBBER BRAKE LINE		
25.	833-330C	PARK BRAKE MICRO-SWITCH		
26.	840-117C	PARK BRAKE CABLE NT 46.5"LG	NT	
26.	840-119C	PARK BRAKE CABLE ST 51 1/2"LG	ST	
27.	11001	NUT MALE BRAKE LINE M10X1.25		
28.	11000	NUT MALE BRAKE LINE M10X1.0		

CV Driveshaft S/N 434125 to 437241

Applies to 4400ST



22231

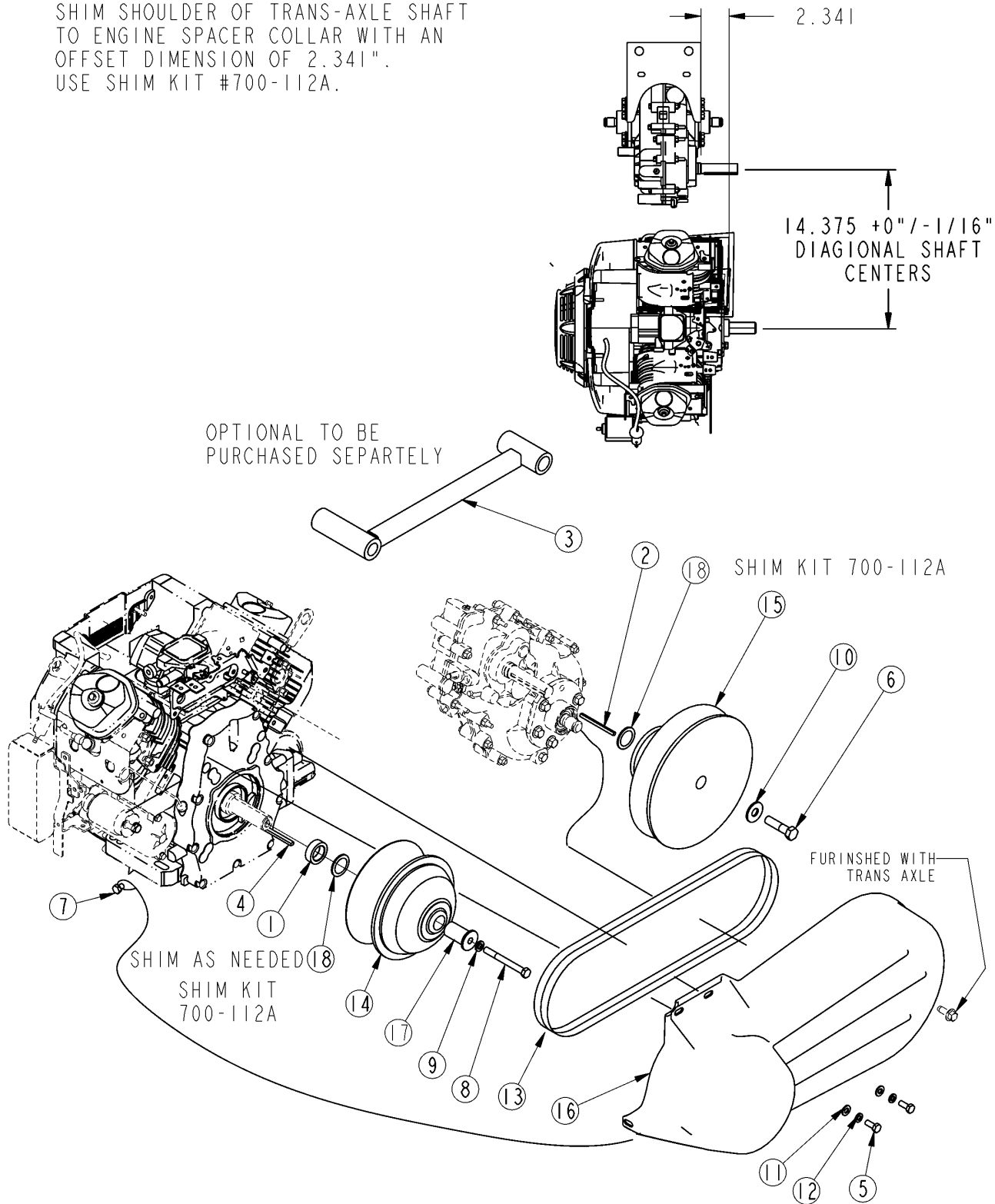
CV Driveshaft S/N 434125 to 437241**Applies to 4400ST**

Ref	Part No.	Part Description	Comments	Revision
	dwg22231	Drawing Image Number		
1.	700-219H	REAR U-JOINT SKID PLATE		
2.	700-281D	SKID PLATE U-JOINT (ST)		
3.	800-296C	KEY 3/16 X 7/8		
4.	801-181C	TPHMS Y 1/4-20X1 YELLOW DIE		
5.	802-017C	HHCS 3/8-16X1 GR5		
6.	802-023C	HHCS 3/8-16X1 3/4 GR5		
7.	802-115C	HHCS 5/16-18X2 GR5		
8.	802-143C	HHCS 3/8-16X2 GR5		
9.	802-758C	HHCS 3/8-24X1 1/2 GR8 PLT		
10.	803-084C	NUT HEX NYLOCK 5/16-18 PLT		
11.	803-209C	NUT FLANGE LOCK 3/8-16 PLT		
12.	803-293C	NUT HEX FLNG T-LOCK 1/4-20 PLT		
13.	804-011C	WASHER FLAT 3/8 USS PLT		
14.	804-013C	WASHER LOCK SPRING 3/8 PLT		
15.	822-203C	PILLOW BLOCK BEARING TRUCK		
16.	826-463C	DRIVELINE, FRONT 4X4 NT/ST		
17.	826-465C	DRIVELINE, REAR 4X4 ST		
18.	840-080C	MOUNT MOTOR H SYTLE		
19.	840-108C	WASHER FENDER 1.5OD X.4IDX.06T		

Drive Belt Components

Applies to 4200NT, 4200ST, 4400NT, 4400ST

FOR CORRECT PULLEY ALIGNMENT,
SHIM SHOULDER OF TRANS-AXLE SHAFT
TO ENGINE SPACER COLLAR WITH AN
OFFSET DIMENSION OF 2.341".
USE SHIM KIT #700-112A.



21241

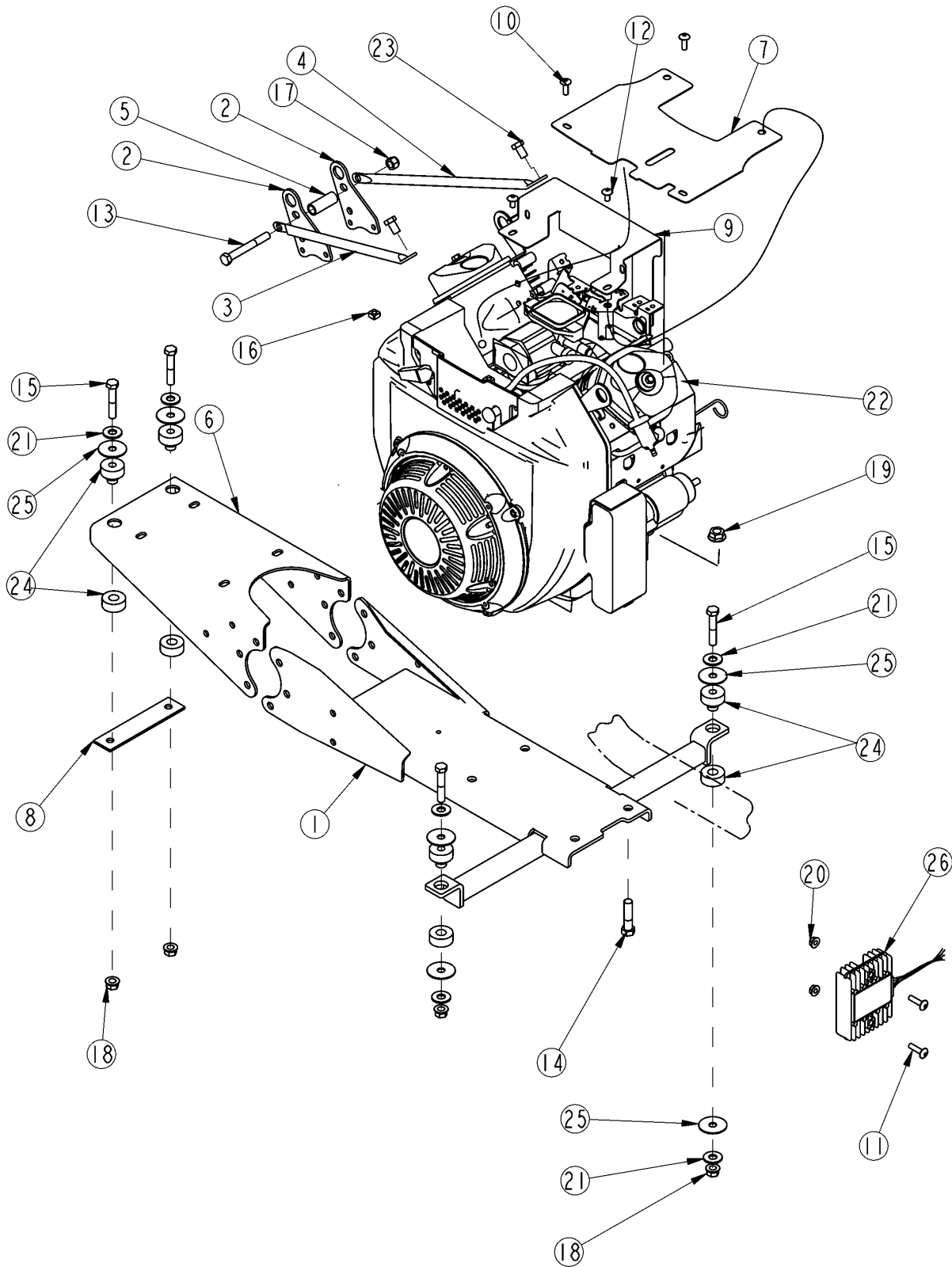
Drive Belt Components

Applies to 4200NT, 4200ST, 4400NT, 4400ST

Ref	Part No.	Part Description	Comments	Revision
	dwg21241	Drawing Image Number		
1.	700-215D	CVT SPACER		
2.	710-097D	KEY 3/16 X 3		
3.	790-001A	TREKER ENGINE/TRANS ALIGNMENT	Optional	
4.	800-350C	KEY .187 X .247 X 2.5 LG		
5.	802-314C	HHCS M8X1.25 X 20 GR8.8		
6.	802-320C	HHCS 1/2-20 X 2 GR5		
7.	802-765C	HHCS M8X1.25 X 10 GR8.8		
8.	802-770C	HHCS 3/8-24 X 3 1/2 GR5 PLT		
9.	804-013C	WASHER LOCK SPRING 3/8 PLT		
10.	804-017C	WASHER FLAT 1/2 USS PLT		
11.	804-084C	WASHER FLAT 5/16 HARD ASTM F436		
12.	804-201C	WASHER LOCK SPRING 5/16 YELLOW		
13.	816-464C	BELT CVT TRUCK	(S/N 437153+)	
13.	816-413C	BELT CVT TRUCK	(S/N 437152-)	
14.	826-444C	CVT DRIVER	(S/N 437153+)	
14.	826-415C	CVT DRIVER TRUCK	(S/N 437152-)	
15.	826-445C	CVT DRIVEN TRUCK 9 1/2"OD	(S/N 437153+)	
15.	826-416C	CVT DRIVEN TRUCK 10 1/8" OD	(S/N 437152-)	
16.	840-098C	CVT COVER FRONT TRUCK		
17.	840-135C	ADAPTER CVT DRIVEN		
18.	700-112A	CVT SHIM KIT		

Engine Mounting Honda

Applies to 4200NT, 4200ST, 4400NT, 4400ST



21240

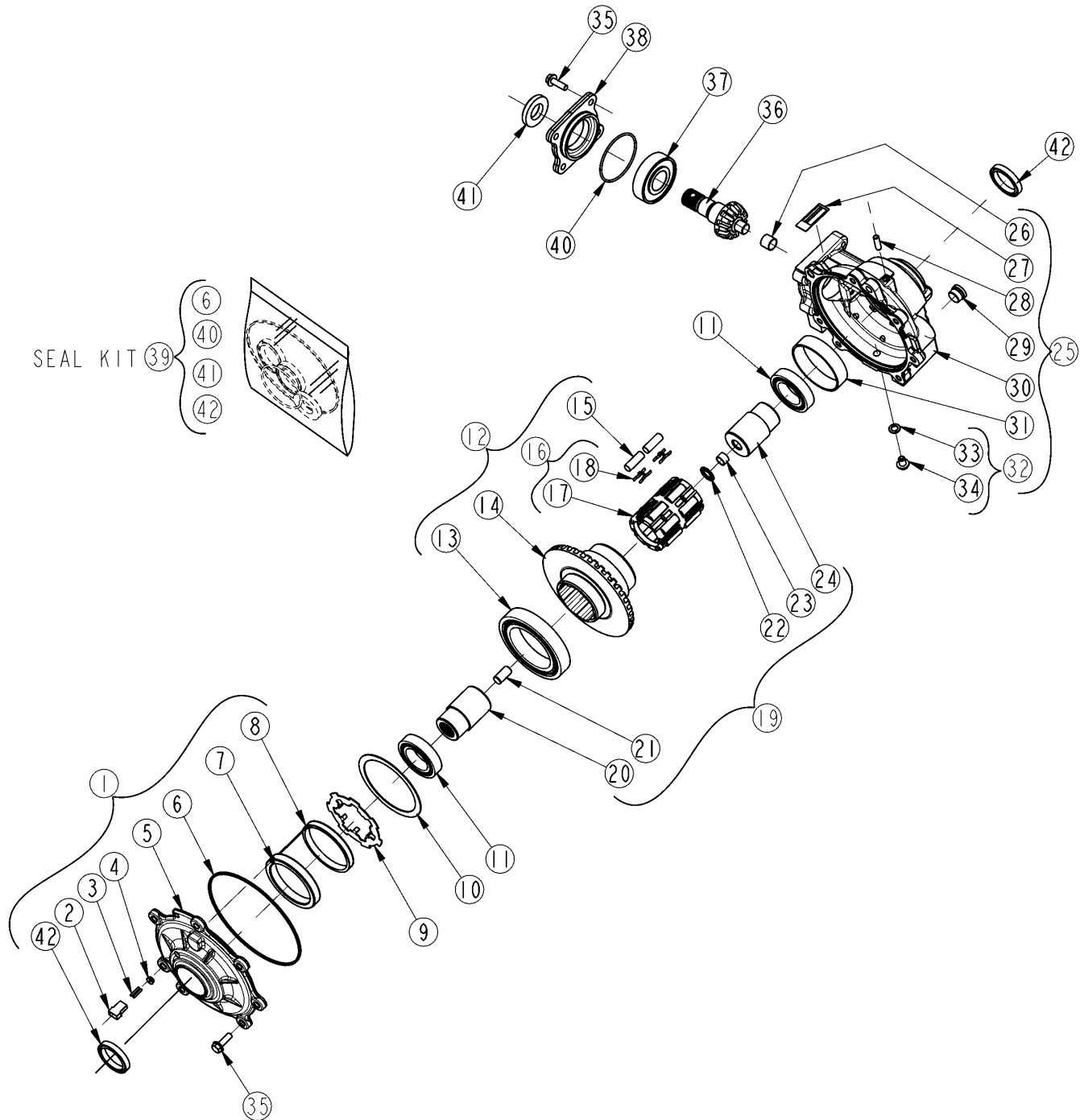
Engine Mounting Honda

Applies to 4200NT, 4200ST, 4400NT, 4400ST

Ref	Part No.	Part Description	Comments	Revision
	dwg21240	Drawing Image Number		
1.	700-059H	ENGINE MOUNT WELDMENT		
2.	700-074D	TRANS SUPPORT PLATE		
3.	700-075D	ENGINE SUPPORT TUBE, RIGHT		
4.	700-076D	ENGINE SUPPORT TUBE, LEFT		
5.	700-078D	SPACER		
6.	700-099D	TRANS MNT SUPPORT BRACKET ST		
6.	700-071D	TRANS MNT SUPPORT BRACKET NT		
7.	700-207S	COVER/ENGINE TOP ASSEMBLY	(S/N 421313+)	
7.	700-208S	ENGINE COVER SERVICE KIT	For S/N 421312-	
8.	700-274D	SPACER PLATE, MOTOR MOUNT	(S/N 429636+)	
9.	700-356D	COVER THROTTLE LINKAGE		
10.	801-180C	TPHMS Y 1/4-20X3/4 YELLOW DIE	(S/N 421313+)	
11.	801-181C	TPHMS Y 1/4-20X1 YELLOW DIE		
12.	801-198C	TPHMS Y 1/4-20X1/2 YELLOW DIE		
13.	802-024C	HHCS 3/8-16X3 GR5		
14.	802-113C	HHCS 7/16-14X1 3/4 GR5		
15.	802-143C	HHCS 3/8-16X2 GR5		
16.	803-005C	NUT SQ 1/4-20 PLT	(S/N 421313+)	
17.	803-078C	NUT LOCK 3/8-16 NYLON INSERT		
18.	803-209C	NUT FLANGE LOCK 3/8-16 PLT		
19.	803-229C	NUT HEX FLANGE LOC 7/16-14 PLT		
20.	803-293C	NUT HEX FLNG T-LOCK 1/4-20 YLW		
21.	804-011C	WASHER FLAT 3/8 USS PLT		
22.	826-413C	HONDA ENGINE 20HP TRUCK	Non Warranty Replacement Part	
23.	839-122C	HFCS M8-1.25X20 10.9 HX FL ZN		
24.	840-080C	MOUNT MOTOR H SYTLE		
25.	840-108C	WASHER FENDER 1.5OD X.4IDX.06T		
26.	840-142C	VOLTAGE REGULATOR FOR 826-41		
		*		
		*		
		Honda Engine Information:		
		Spark Plug	NGK2015 / BPR2ES	
		Honda Snap Ring (Throttle Cable)	90605-230-000	
		Honda Jet Kit (Elevation 0-4,999 ft. (Fractory Installed)	99201-ZG8-1050	
		Honda Jet Kit (Elevation 5,000-7,999 ft.	99201-ZG8-1020	
		Honda Jet Kit (Elevation 8,000 ft and up)	99201-ZG8-1000	
		Honda Oil Filter	831-038C	
		Fluid Type = SAE 10W30		
		Fluid Capacity = 1.48 qts with filter change		
		*		
	700-245K	TREKER TUNE-UP KIT (5"FILTER)	Contains Spark Plug, Fuel Filter, Engine Oil Filter & Air Filter	

Front Differential Components

Applies to 4400NT, 4400ST



21232

Front Differential Components

Applies to 4400NT, 4400ST

Ref	Part No.	Part Description	Comments	Revision
	dwg21232	Drawing Image Number		
	826-398C	FRONT DIFFERENTIAL W/ELE CLTCH		
1.	6203-12-100	OUTPUT COVER PLATE ASSEMBLY	#1 Kit includes #2 to #8 & 42	
2.		MATE-N-LOK- HOUSING	Sold with #1 kit	
3.		MATE-N-LOK PIN	Sold with #1 kit	
4.		GROMMET, OUTPUT COVER	Sold with #1 kit	
5.		COVER PLATE, OUTPUT-MACHINED	Sold with #1 kit	
6.		O-RING, OUTPUT-164S (SQ. RING)	Sold with #1 kit & #39 kit	
7.		COIL POCKET INSERT	Sold with #1 kit	
8.		COIL W/PRESS FIT BOBBIN	Sold with #1 kit	
9.	6203-59-032-B	ARMATURE PLATE		
10.	6203-26-020-A	SHIM .05 THICK BRASS, HALF HARD		
11.	1215-02-038-T	6008-C3 DEEP GROOVE ROLLER BEARING 4£		
12.	6203-01-166	CLUTCH ASSEMBLY	#12 Kit includes #13 to #16	
13.	1215-02-141-T	6015-C3 DEEP GROOVE ROLLER BALL BEARING	Sold separately & with #12 kit	
14.	6203-13-124-D	CLTH.HSG./RNG GR., 42T 6.75DP	Sold separately & with #12 kit	
15.	6203-29-010-0	ROLL KIT	Sold separately & with #12 kit	
16.	6203-20-072	ROLL CAGE ASSEMBLY	#16 Kit includes #17 & #18	
17.		ROLL CAGE, PLASTIC-MACHINED	Sold separately & with #16 kit	
18.	6203-35-024-0	SPRING KIT, H-CLIP .008 THK	Sold separately & with #16 kit	
19.	6203-27-017-B	RACE/OUTPUT HUB ASSEMBLY	#19 Kit includes #20 to #21	
20.		RACE/OUTPUT HUB, FEMALE	Sold with #19 kit	
21.		PAP0806 PERMIGLIDE BUSHING	Sold with #19 kit	
22.	1242-00-009-T	TC815 NEEDLE ROLLER THRUST BEARING	Sold separately & with #19 kit	
23.	0430-01-002-T	1/2 DIA X 1 LG. DOWEL PIN	Sold separately & with #19 kit	
24.		RACE/OUTPUT HUB, MALE	Sold with #19 kit	
25.	6203-13-165	GEARCASE ASSEMBLY	#25 Kit includes #26 to #32	
26.		MB1615 DU BUSHING	Sold with #25 kit	
27.		LABEL, BAR CODE	Sold with #25 kit	
28.		TUBE, VENT 1/2 HOSE	Sold with #25 kit	
29.	0518-03-009-T	PLUG OIL FILL 3/4-16 HOLLOW HEAD	Sold separately & with #25 kit	Torque item #29 (PLUG OIL FILL 3/4-16 HOLLOW HD) 10 ft*lbs.
30.		GEARCASE, LH-MACHINED	Sold with #25 kit	
31.		BUSHNG, SELF LUBRICATING 80X85X20	Sold with #25 kit	
32.	6203-95-001-0	DRAIN PLUG ASSEMBLY	#32 Kit includes #33 & #34	
33.		WASHER, .625X.06, NYLON 6/6	Sold with #32 kit	
34.		PLUG, OIL DRAIN, 3/8-16HH FLANGE	W/MAG. TIP Sold with #32 kit; Torque item #34 (PLG,OIL DRAIN,3/8-16HH FLNGE W/M) 9 ft*lbs.	
35.	6203-93-001-0	BOLT KIT		Torque item #35 (5/16" x 1" Hex Head Bolts) 17 ft*lbs.
36.	6203-47-024-B	SHAFT PNION 11T3.75DP, MACHINED		
37.	1215-02-154-T	6306-03-C3 DP GROOVE	ROLLER BALL BEARING	
38.	6203-12-064-B	COVER PLATE, INPUT-MACHINED		
39.	6203-56-001-0	MINOR REPAIR KIT	#39 Kit includes #6 & #40 to #42	
40.		O-RING, INPUT, 148S	Sold with #39 kit	
41.		25X47X8 TRIPLE LIP OIL SEAL	Sold with #1 kit & #39 kit	
42.		40X52X7TC OIL SEAL, OUTPUT	Sold with #39 kit	
		*		
		*		
		IMPORTANT NOTES:		
		1. Torque 3/4" oil drain plug (Item #29) to 10 ft. lbs.		
		2. Torque 3/8" oil drain plut (Item #34) to 9 ft. lbs.		

Front Differential Components (continued)

Applies to 4400NT, 4400ST

Ref	Part No.	Part Description	Comments	Revision
		3. Torque 5/16" x 1" bolts (Item #35) to 17 ft. lbs.		
		4. Use command track gen2 gear lube part # 821-061C or Mobil 424		
		5. Gear lube capacity = 5 oz.		

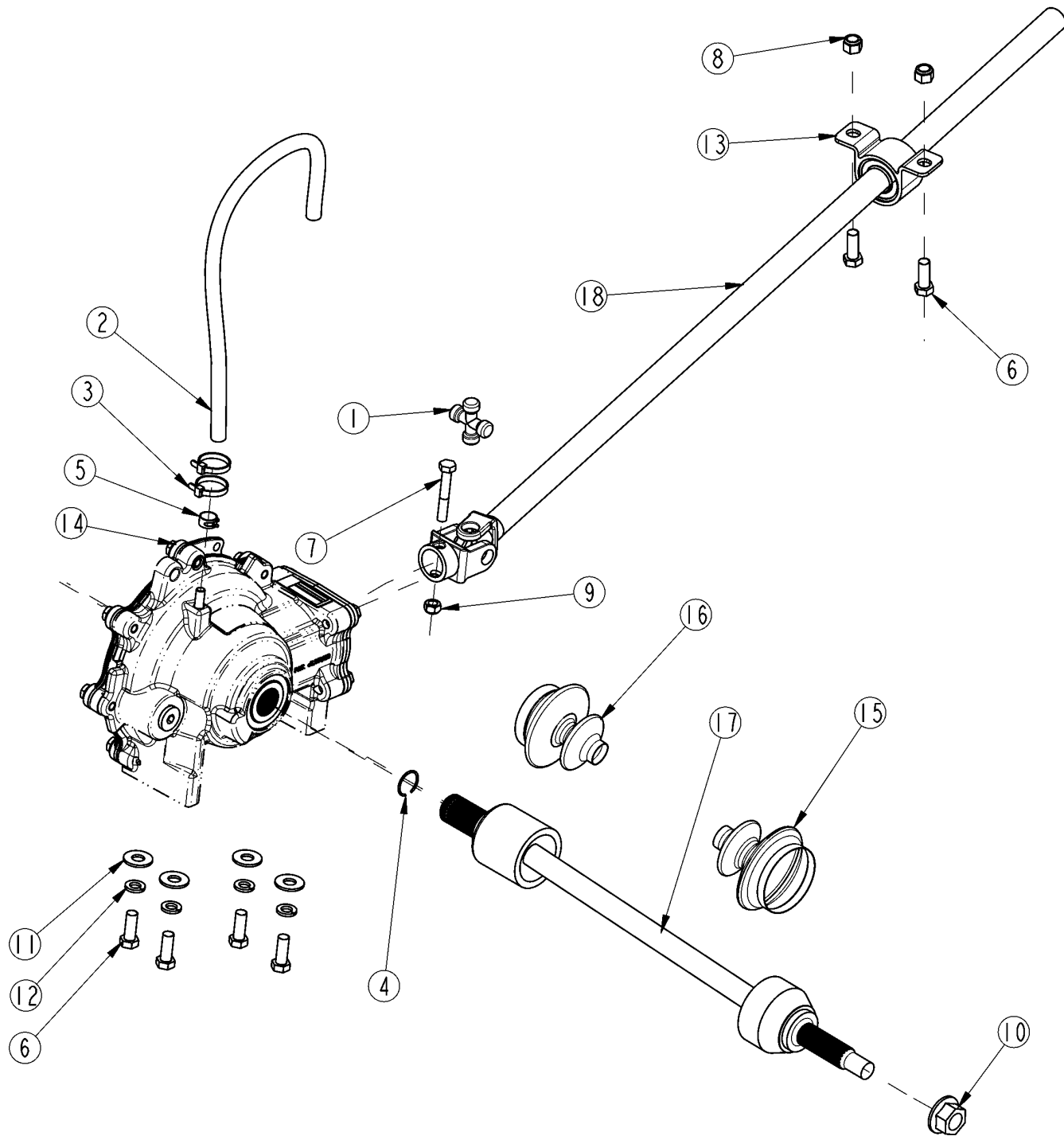
Front Differential Components (continued)

Applies to 4400NT, 4400ST

This Page Intentionally Left Blank

Front Differential, Axleshaft and Driveshaft

Applies to 4400NT, 4400ST



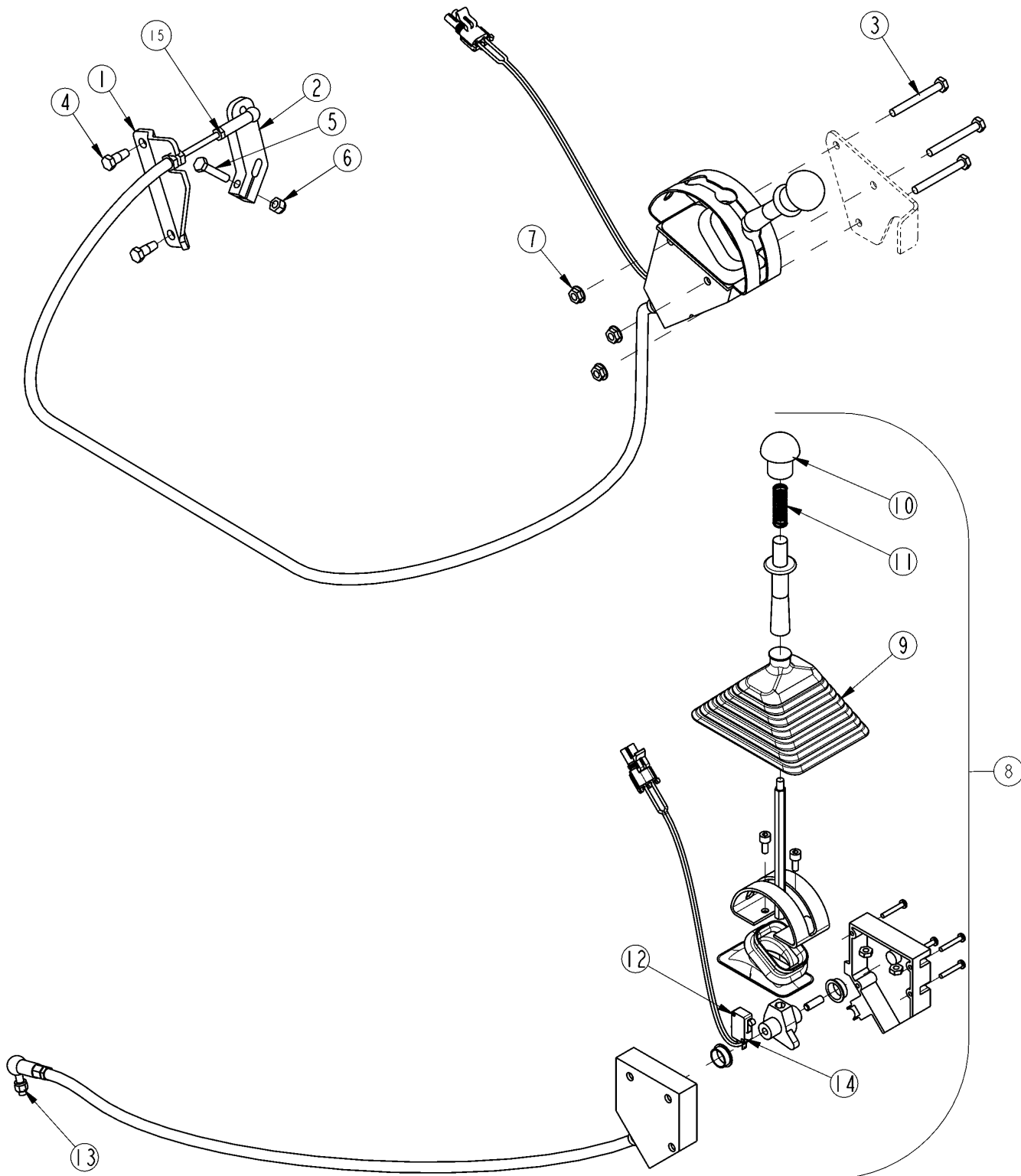
21229

Front Differential, Axleshaft and Driveshaft**Applies to 4400NT, 4400ST**

Ref	Part No.	Part Description	Comments	Revision
	dwg21229	Drawing Image Number		
1.	1-0170NPL	CROSS & BRG KIT		
2.	700-466D	VENT HOSE 1705 LG 4X4 GEARBOX		
3.	800-303C	CABLE TIE 2 DIA MIN - BLK		
4.	800-353C	SPRING CIR CLIP .95OD x .063 WIRE		
5.	800-356C	CLAMP PINCH FOR .50 OD HOSE		
6.	802-017C	HHCS 3/8-16 x 1 GR5		
7.	802-115C	HHCS 5/16-18 x 2 GR5		
8.	803-078C	NUT LOCK 3/8-16 NYLON INSERT		
9.	803-084C	NUT HEX NYLOCK 5/16-18 PLT		
10.	803-332C	NUT HEX M16 x 1.5 TOP LOCK PLT		
11.	804-011C	WASHER FLAT 3/8 USS PLT		
12.	804-013C	WASHER LOCK SPRING 3/8 PLT		
13.	822-203C	PILLOW BLOCK BEARING TRUCK		
14.	826-398C	FRONT DIFFERENTIAL	WITH ELECTRIC CLUTCH	
15.	5048	OUTER BOOT KIT W/ 2 CLAMPS	Left and right side	
16.	5051	INNER BOOT KIT W/2 CLAMPS	Left and right side	
17.	826-403C	FRONT AXLE SHAFT NARROW	Left & right side / Includes #15 & #16	
17.	826-405C	FRONT AXLE SHAFT STANDARD	Left & right side / Includes #15 & #16	
18.	826-438C	FRONT HALF DRIVELINE 4 x 4 NT/ST		

Shift Selector Components

Applies to 4200NT, 4200ST, 4400NT, 4400ST



21301

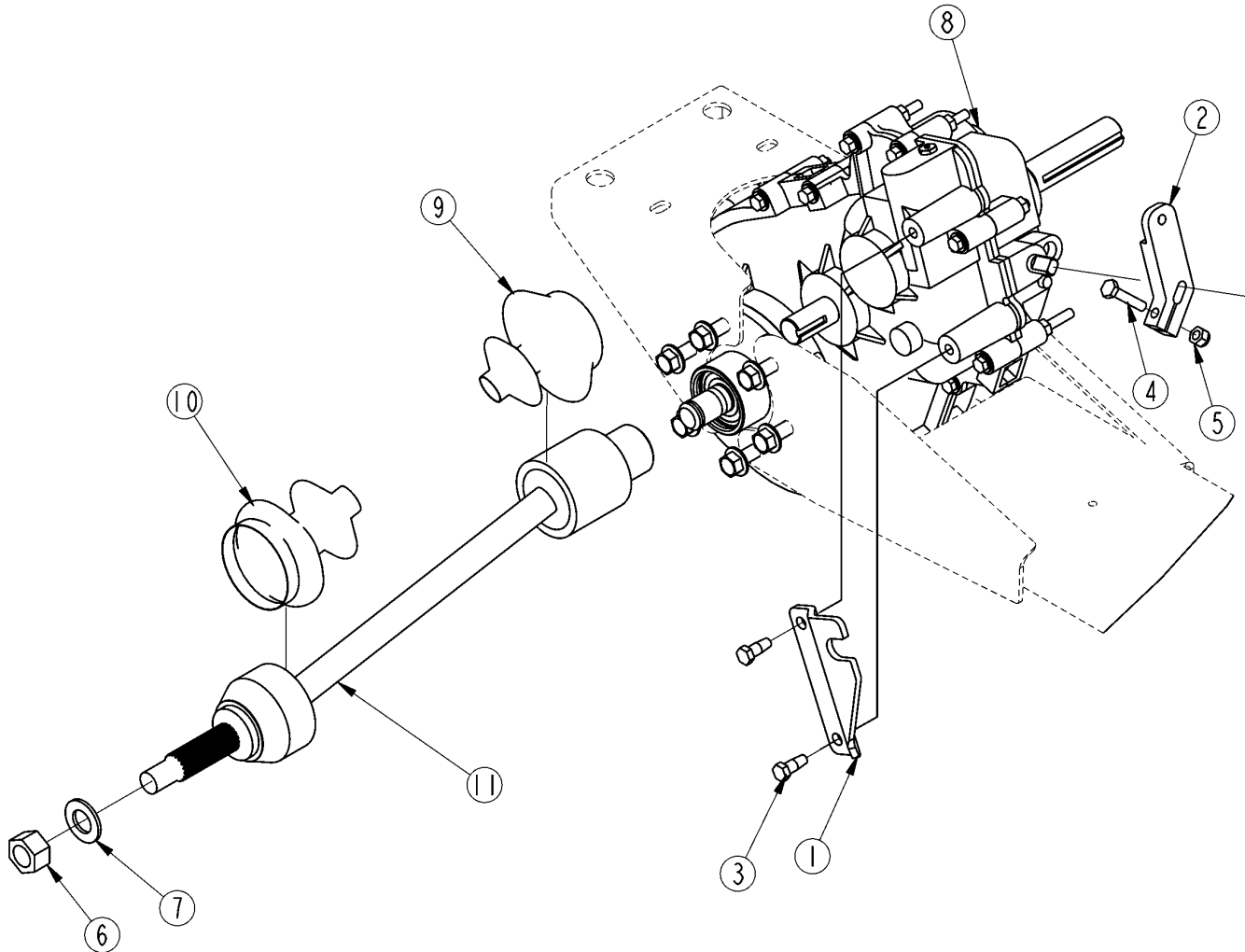
Shift Selector Components

Applies to 4200NT, 4200ST, 4400NT, 4400ST

Ref	Part No.	Part Description	Comments	Revision
	dwg21301	Drawing Image Number		
1.	700-073D	SHIFT CABLE PLATE		
2.	700-135D	SHIFT LEVER		
3.	802-551C	HHCS 1/4-20 X 2 1/4 GR5		
4.	802-764C	HWH 5/16-18 X 3/4 THREAD-ROLLING		
5.	802-769C	HHCS 1/4-20 X 1 1/4 GR8		
6.	803-255C	NUT HEX NYLOCK 1/4-20		
7.	803-293C	NUT HEX FLNG T-LOCK 1/4-20 PLT		
8.	840-114C	SELECTOR CONTROL TRUCK	Includes #9 to #13	
9.	IC-3180	RUBBER SHIELD/SELECTOR CONTROL		
10.	IC-3514	KNOB, SELECTOR CONTROL		
11.	807-235C	SPRING COMP5DX.406IDX1.5L.04W		
12.	IC-3586	KIT MICRO SWITCH WITH WIRES		
13.	803-154C	NUT HEX LOCK M6 PLT		
14.	V7-1C17D8-201	MICRO SWITCH 4 SHIFTER 840-114C		
15.	840-209C	BALL JOINT 6MM X 1.00		

Transaxle Rear and Axle Shafts

Applies to 4200NT, 4200ST, 4400NT, 4400ST



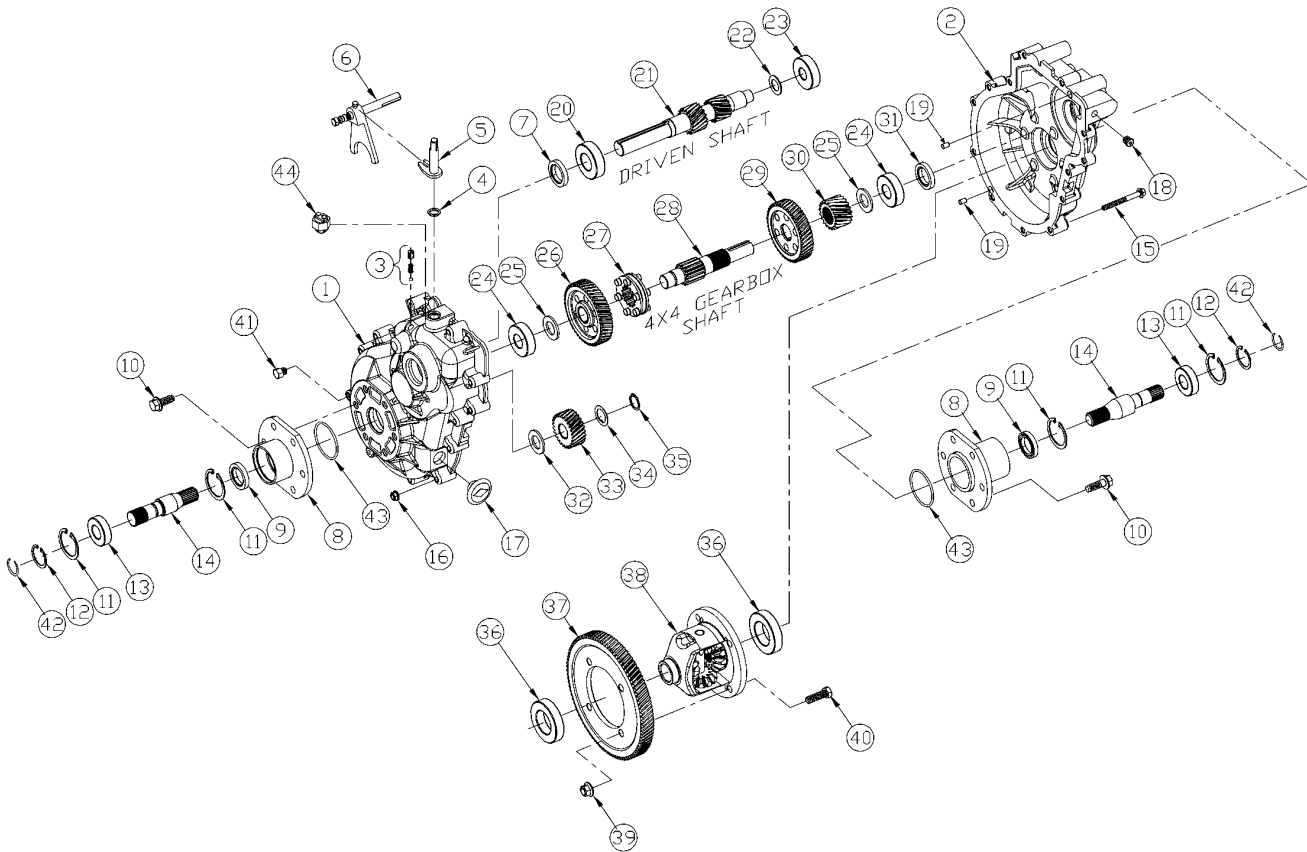
ITEM 11
IDENTICAL LEFT AND
RIGHT HAND SIDES

Transaxle Rear and Axle Shafts**Applies to 4200NT, 4200ST, 4400NT, 4400ST**

Ref	Part No.	Part Description	Comments	Revision
	dwg21243	Drawing Image Number		
1.	700-073D	SHIFT CABLE PLATE		
2.	700-135D	SHIFT LEVER		
3.	802-764C	HWH 5/16-18X3/4 THREAD-ROLLING		
4.	802-769C	HHCS 1/4-20X1 1/4 GR8		
5.	803-255C	NUT HEX NYLOCK 1/4-20		
6.	803-332C	NUT HEX M16X1.5 TOP LOCK PLT		
7.	804-005C	FLAT WASHER M16 NARROW PLT		
8.	826-395C	GEARBOX SPICER INDEPENDENT REAR 4X4		
8.	826-454C	TRANSAXLE W/ AUTO-LOCK DIFF.	Optional on NT Only	
9.	5051	INNER BOOT KIT WWITH 2 CLAMPS		
10.	5048	OUTER BOOT KIT WITH 2 CLAMPS		
11.	826-406C	REAR AXLE SHAFT NT 18T INT SPL	INCLUDES #9 & #10	
11.	826-455C	REAR AXLE SHFT NT, 24T INT.SPL EA	INCLUDES #9 & #10	
11.	826-404C	REAR AXLE SHAFT ST 18T INT SPL	INCLUDES #9 & #10	

Transaxle Rear Components

Applies to 4200NT, 4200ST, 4400NT, 4400ST



21222

Transaxle Rear Components

Applies to 4200NT, 4200ST, 4400NT, 4400ST

Ref	Part No.	Part Description	Comments	Revision
	dwg21222	Drawing Image Number		
	826-395C	GBOX DANA/SPICER INDEPREAR4X4		
1.	012CH291-2X	HOUSING AND SHAFT ASSBLY	(S/N 440713+) (See Dwg Note 3);	Rev. 2 not compat. w/Rev. 1
1.	012CH291-1X	HOUSING AND SHAFT ASSBLY	(S/N 440712-) (See Dwg Note 3)	Rev. 1
2.	012CH289	HOUSING-AXLE FIN	(See Note 3)	
3.	012LK133	KIT, DETENT	Consist of compression spring, set screw and detent ball.	
4.	012HH122	SEAL - OIL		
5.	012GV164-X	ACTUATOR ASSY		
6.	012SV118-X	SHIFT ROD SUB-ASSY	S/N 440713+	Rev. 2 not compat. w/Rev. 1
6.	012SV112-X	SHIFT ROD SUB-ASSY	S/N 440712-	Rev. 1
7.	012HH128	SEAL - OIL		
8.	012TA327-X	TB ASM-REAR FIN W/O SEAL		
9.	515A8	SEAL - OIL		
10.	026HM107	SCREW - FLG HEAD		
11.	514A7	RING - SNAP		
12.	012HR128	RING - SNAP		
13.	585971	BEARING 6004-2RS		
14.	012SR129	SHAFT - AXLE FIN		
15.	012HM110-1	SCREW - FLG HEAD		
16.	012HN120	NUT - LOCK		
17.	41356	PLUG - RUBBER		
18.	012HN140	VENT PLUG		
19.	012HP120	PIN - DOWEL		
20.	585965	BEARING 6205		
21.	012GS307	SHAFT - INPUT FIN		
22.	012LK134	KIT, SHIM	Use Shims as required	
22.	012HS120	RPBY 012LK134		
23.	012HD111	BEARING -6303 BALL SINGLE		
24.	012HD129	BEARING -6204 BALL SINGLE		
25.	012HS121	SPACER - FLAT		
26.	012GS202-X	GEAR ASSY - FORWARD		
27.	012GS302	GEAR - CLUTCH		
28.	012GS337	SHAFT - INTERMEDIATE FIN		
29.	012GS204-X	GEAR ASSY - REVERSE		
30.	012GS215	GEAR - HELICAL FIN		
31.	012HH140	SEAL - OIL		
32.	012HS125	WASHER - THRUST		
33.	012GS207-X	GEAR ASSY - IDLER		
34.	012HS126	WASHER - THRUST		
35.	012HR128	RING - SNAP		
36.	585994	BEARING 6007		
37.	012GS216	GEAR - HELICAL FIN		
38.	012DA120X	ASSEMBLY, DIFFERENTIAL		
38.	012DA117-X	RPBY 012DA120X		
38.	012DA111-X	RPBY012DA117-X		
39.	012HN138	NUT - LOCK		
40.	012HM129	BOLT - HEX		
41.	012HG145	DRAIN PLUG		
42.	012HR121	RETAINER - AXLE SHAFT		
43.	012HH137	RING - O		
44.	5803	SWITCH, NEUTRAL, GEARBOX	S/N 440713+	
		*		
		*		
		IMPORTANT NOTES:		
		1. Use Mobil 424 or equivalent		
		2. Gear lube capacity = 20 oz.		

Transaxle Rear Components (continued)

Applies to 4200NT, 4200ST, 4400NT, 4400ST

Ref	Part No.	Part Description	Comments	Revision
		3. Use Loctite 518 as a gasket between housings #1 & #2.		

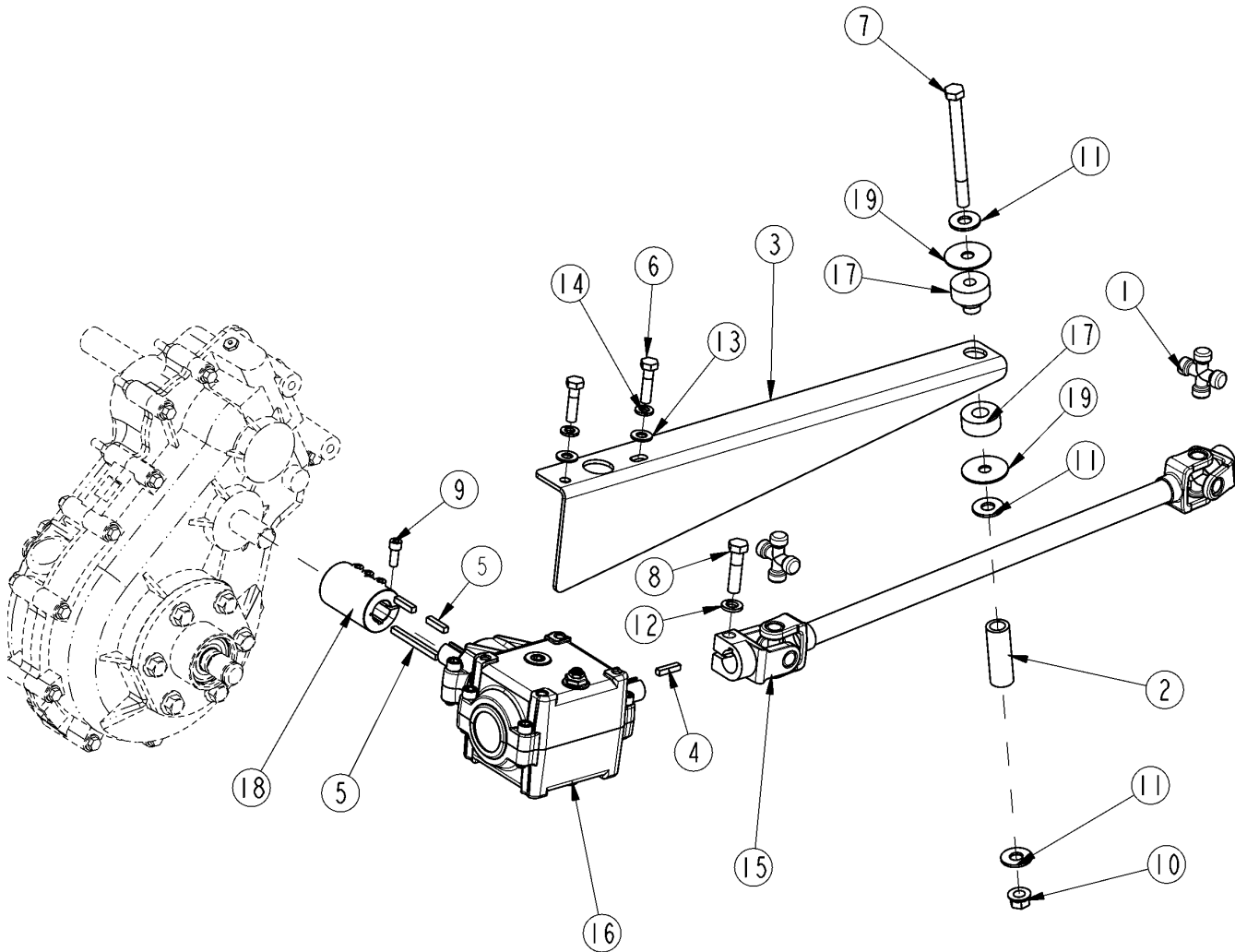
Transaxle Rear Components (continued)

Applies to 4200NT, 4200ST, 4400NT, 4400ST

This Page Intentionally Left Blank

Transfer Case and Rear Driveshaft S/N 484886- ST S/N 464194- NT

Applies to 4400NT, 4400ST

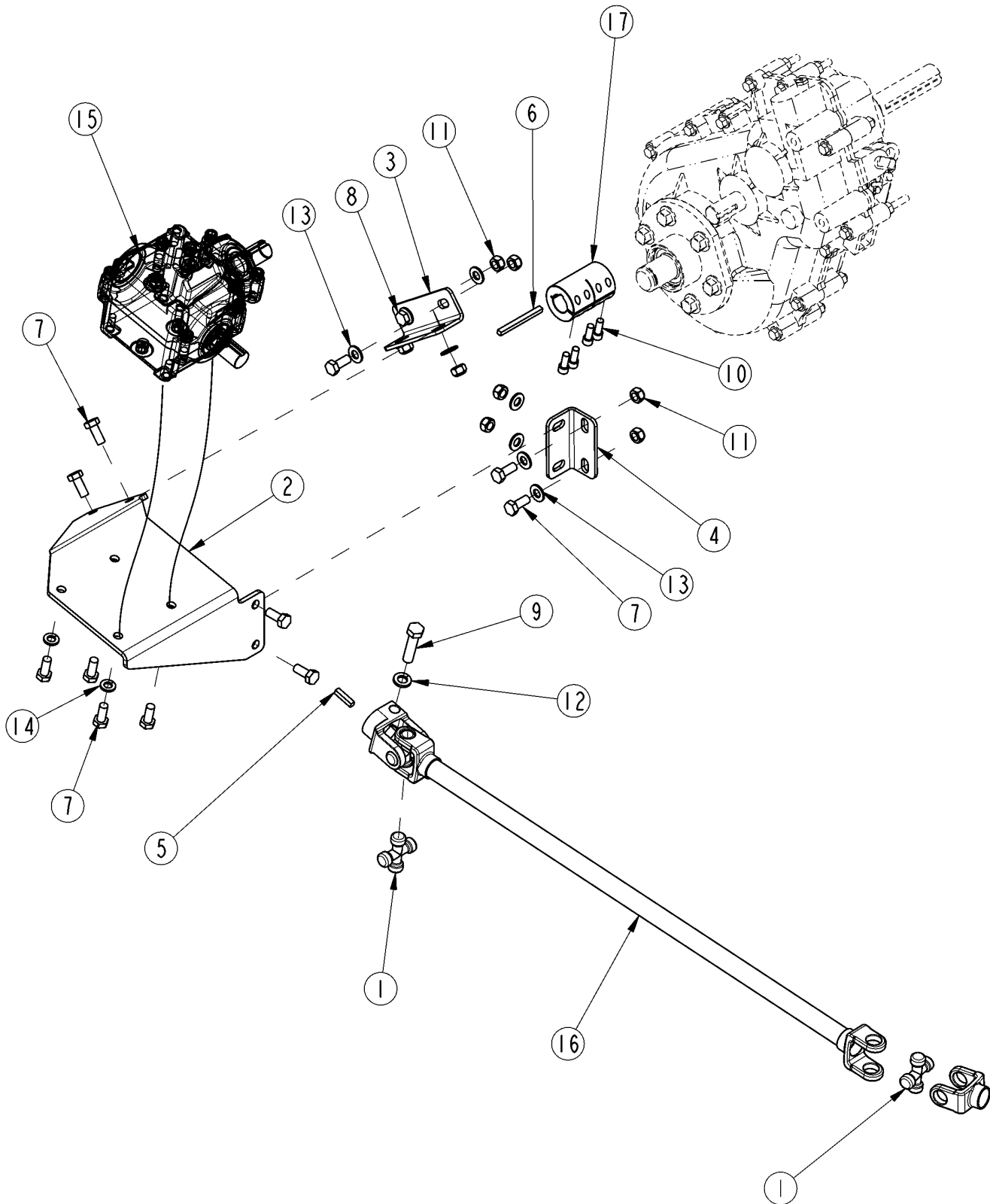


Transfer Case and Rear Driveshaft S/N 484886- ST S/N 464194- NT**Applies to 4400NT, 4400ST**

Ref	Part No.	Part Description	Comments	Revision
	dwg21231	Drawing Image Number		
1.	1-0170NPL	CROSS & BRG KIT		
2.	700-016D	GEARBOX MOUNT SPACER		
3.	700-134D	TRANSFER CASE MOUNT		
4.	800-296C	KEY 3/16 X 7/8		
5.	800-366C	KEY .187 X .187 X 2.25 LG	S/N 409730+; (1 Required)	
5.	800-296C	KEY 3/16 X 7/8	S/N 409729-; (2 Required)	
6.	802-735C	HHCS 5/16-18X3/4 GR5 YELLOW DI		
7.	802-750C	HHCS 3/8-16X4 1/4 GR5		
8.	802-758C	HHCS 3/8-24X1 1/2 GR8 PLT		
9.	802-774C	HSBCS 1/4-28X5/8	(4 Required)	
10.	803-209C	NUT FLANGE LOCK 3/8-16 PLT		
11.	804-011C	WASHER FLAT 3/8 USS PLT		
12.	804-013C	WASHER LOCK SPRING 3/8 PLT		
13.	804-084C	WASHER FLAT 5/16 HARD ASTM F436		
14.	804-201C	WASHER LOCK SPRING 5/16 YELLOW		
15.	826-396C	REAR HALF DRIVELINE 4X4 NT		
15.	826-419C	REAR HALF DRIVELINE 4X4 ST		
16.	826-417C	GBOX MODEL R100 1.5TO1 RATIO		
17.	840-080C	MOUNT MOTOR H SYTLE		
18.	840-096C	GB COUPLER 4WD TRUCK	Includes #8	
19.	840-108C	WASHER FENDER 1.5OD X.4IDX.06T		

Transfer Case and Rear Driveshaft S/N 484887+ ST S/N 464195+ NT

Applies to 4400NT



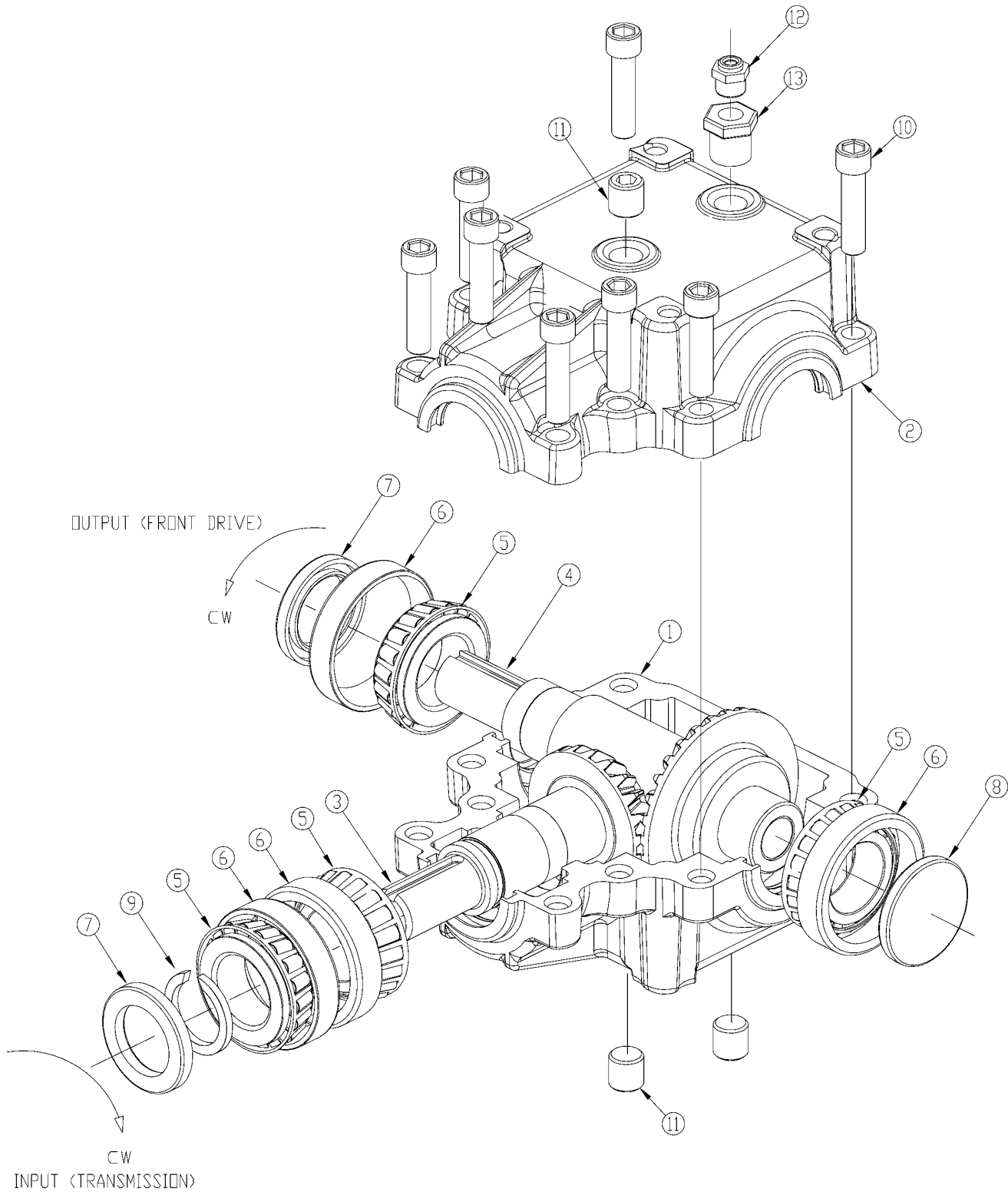
23885

Transfer Case and Rear Driveshaft S/N 484887+ ST S/N 464195+ NT**Applies to 4400NT**

Ref	Part No.	Part Description	Comments	Revision
	dwg23885	Drawing Image Number		
1.	1-0170NPL	CROSS & BRG KIT		
2.	700-408D	GEAR BOX MNT PLATE		
3.	700-447D	MOUNT BRACKET GEARBOX REAR		
4.	700-448D	MOUNT BRACKET GEARBOX FRONT		
5.	800-296C	KEY 3/16 X 7/8		
6.	800-366C	KEY .187 X .187 X 2.25 LG		
7.	802-735C	HHCS 5/16-18X3/4 GR5 YELLOW DI		
8.	802-738C	HHCS 5/16-18X1 GR5 YELLOW DIE		
9.	802-758C	HHCS 3/8-24X1 1/2 GR8 PLT		
10.	802-774C	HSHCS 1/4-28X5/8		
11.	803-084C	NUT HEX NYLOCK 5/16-18 PLT		
12.	804-013C	WASHER LOCK SPRING 3/8 PLT		
13.	804-084C	WASHER FLAT 5/16 HARD ASTM436		
14.	804-201C	WASHER LOCK SPRING 5/16 YELLOW		
15.	826-417C	GBOX MODEL R100 1.5TO1 RATIO		
16.	826-396C	REAR HALF DRIVELINE 4X4 NT		
16.	826-419C	REAR HALF DRIVELINE 4X4 ST		
17.	840-096C	GB COUPLER 4WD TRUCK		

Transfer Case Components

Applies to 4400NT, 4400ST



21237

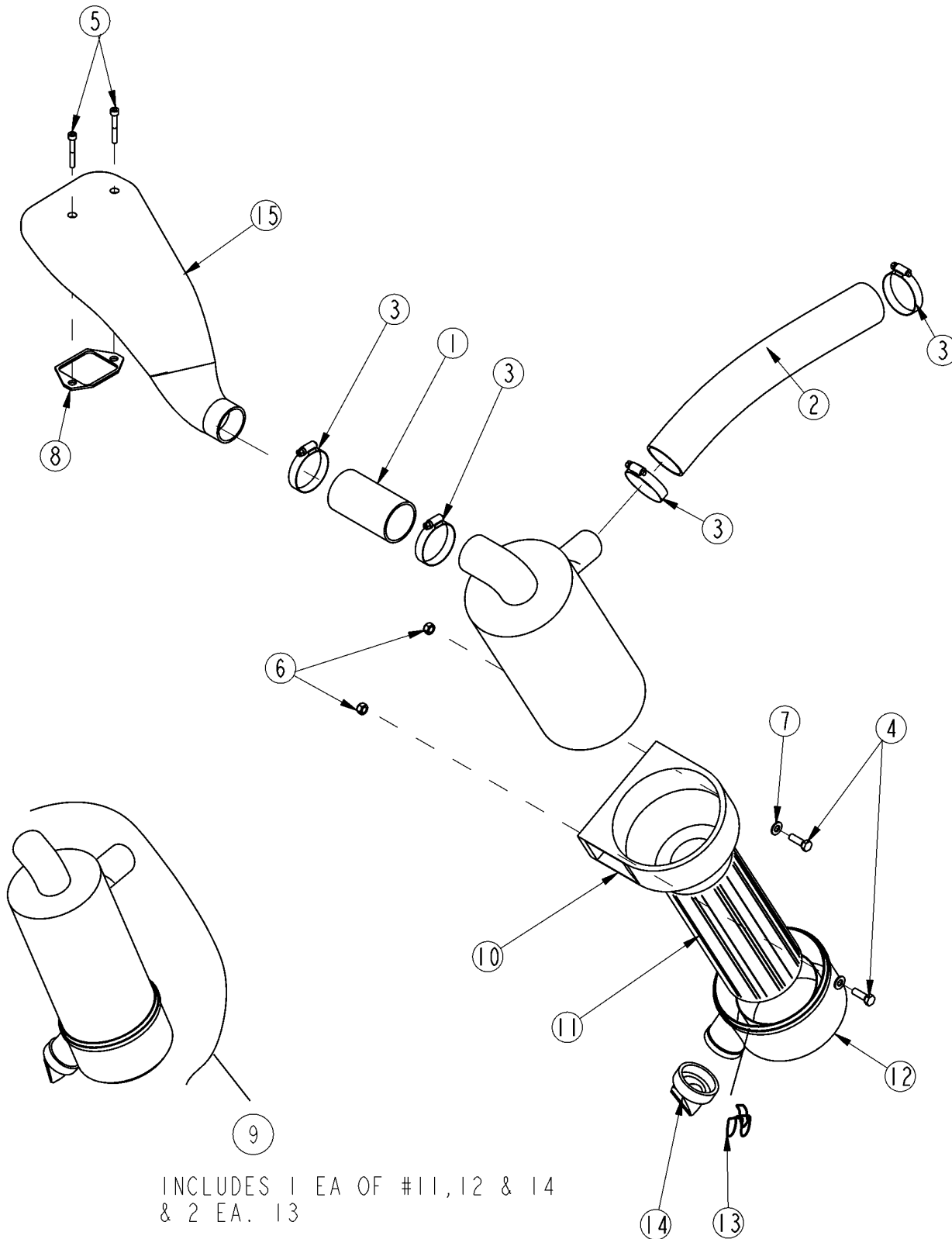
Transfer Case Components

Applies to 4400NT, 4400ST

Ref	Part No.	Part Description	Comments	Revision
	dwg21237	Drawing Image Number		
	826-417C	GBOX MODEL R100 1.5TO1 RATIO		
1.	R100-003M-A0427	HOUSING, R100 MACHINED TAP STD		
2.	R100-004M-A0428	HOUSING, R100 MACHINED THRU STD		
3.	R100-8B00-A0471	STUB SHAFT/GEAR ASSEMBLY		
4.	R100-8B00-A0473	SUPERIOR CROSS SHAFT/GEAR ASSEMBLY		
5.	244643	BEARING, CONE1.00VN-L44643		
6.	244610	BEARING, CUP 1.98VN-L44610		
7.	109843	SEAL, 1-1.5-.187(R)TC		
8.	100301	CAP, CP-1.5 -.187D#7647		
9.	203293	RTN RING EXT1.000 SHAFT		
10.	103125	BOLT 5/16-18 X 1.25 SHCS		
11.	200300	PLUG 1/4-18NPT SCHD		
12.	2003PR	PLUG VENT 5PSIV/N005677		
13.	2003VB	BUSHING 1/4NPT X 1/8 NPT		
		*		
		*		
		IMPORTANT NOTES:		
		1. Use S.A.E 80/90 wt. GL-5 lube.		
		2. Oil capacity = 6 oz.		

Air Filter Components, NT

Applies to 4200NT, 4400NT



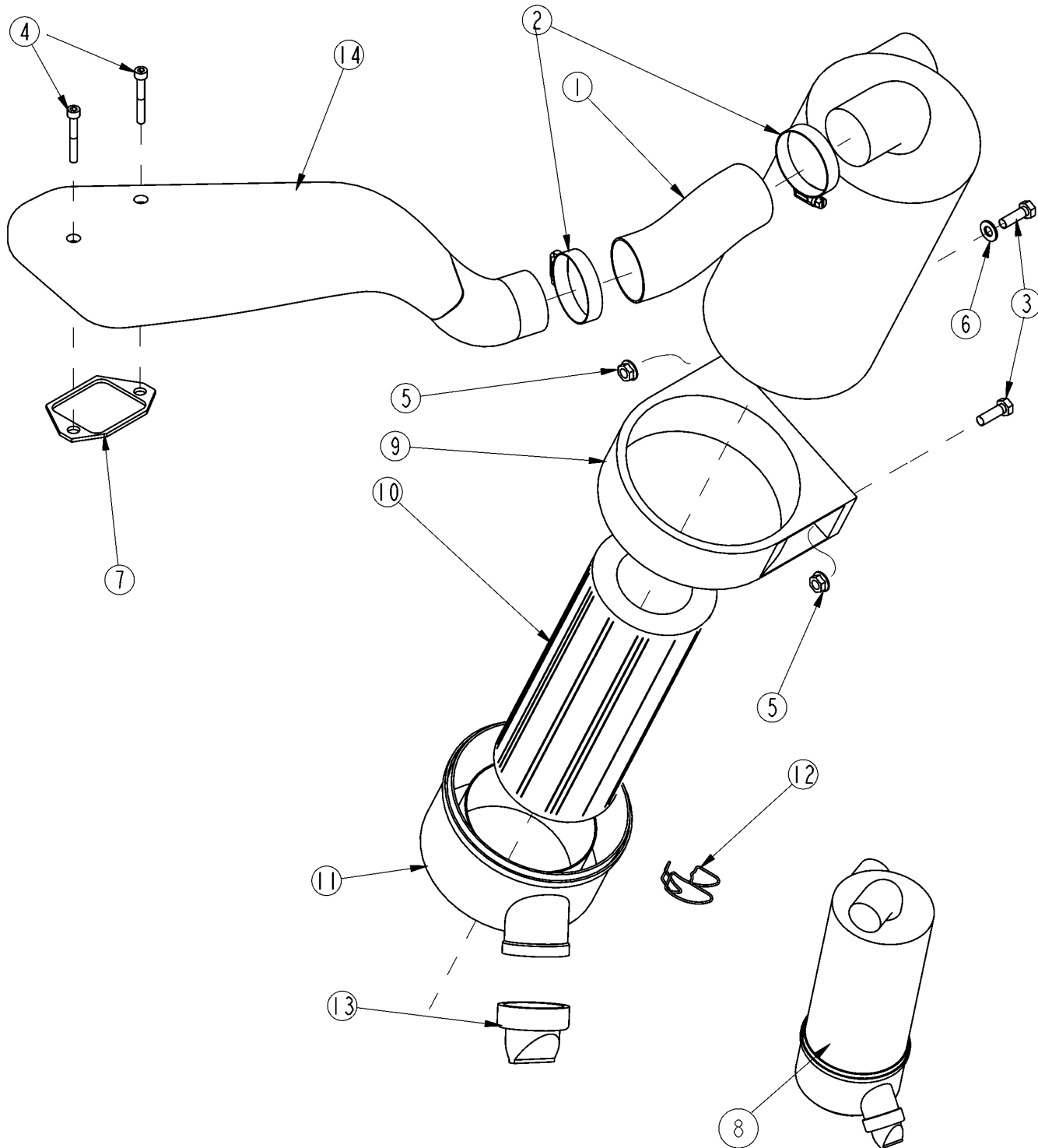
21242

Air Filter Components, NT**Applies to 4200NT, 4400NT**

Ref	Part No.	Part Description	Comments	Revision
	dwg21242	Drawing Image Number		
1.	816-522C	HOSE, 2" ID X 4" LONG		
1.	700-195D	RPBY 816-522C		
2.	816-524C	HOSE, 2" ID X 16" LONG		
2.	700-198D	RPBY 816-524C		
3.	800-259C	CLAMP WRM DRV#36SS (1.81-2.75)		
4.	802-738C	HHCS 5/16-18 X 1 GR5 YELLOW DIE		
5.	802-752C	HSHCS M6X1 X 45 GR8.8		
6.	803-084C	NUT HEX NYLOCK 5/16-18 PLT		
7.	804-084C	WASHER FLAT 5/16 HARD ASTM F436		
8.	816-421C	GASKET-ENGINE AIR INTAKE TRUCK		
9.	839-309C	AIR CLEANER ASSEMBLY WITH FILTER G057514	Includes #11, #12, #14, & 2 ea of #13	
10.	839-311C	CLEANER CLAMP PPGF30		
11.	839-323C	AIR FILTER P821575		
12.	839-375C	COVER WITH LATCHES P533761		
13.	839-376C	LATCH P538928		
14.	839-377C	VACUATOR (BURP) P522958		
15.	840-094C	AIR INTAKE PLASTIC NT TRUCK		

Air Filter Components, ST

Applies to 4200ST, 4400ST



INCLUDES 1 EA OF #10, 11, & 13
& 2 EA 12

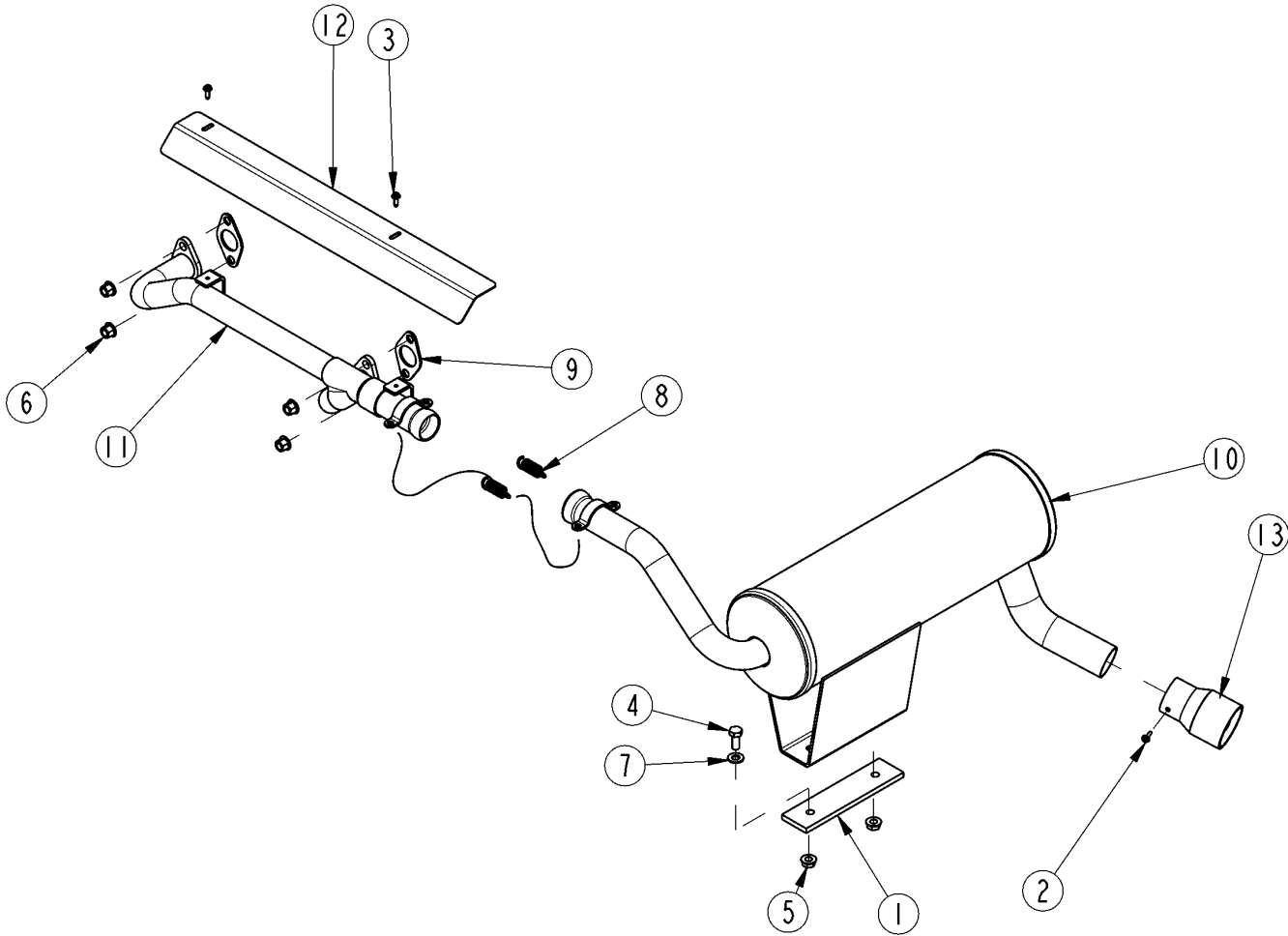
21248

Air Filter Components, ST**Applies to 4200ST, 4400ST**

Ref	Part No.	Part Description	Comments	Revision
	dwg21248	Drawing Image Number		
1.	816-523C	HOSE, 2" ID X 5 1/2" LONG		
1.	700-194D	RPBY 816-523C		
2.	800-259C	CLAMP WRM DRV#36SS (1.81-2.75)		
3.	802-738C	HHCS 5/16-18X1 GR5 YELLOW DIE		
4.	802-752C	HSHCS M6X1X45 GR8.8		
5.	803-177C	NUT HEX LOCK 5/16-18 FLG.		
6.	804-084C	WASHER FLAT 5/16 HARD ASTMF436		
7.	816-421C	GASKET-ENGINE AIR INTAKE TRUCK		
8.	839-309C	AIR CLEANER ASSEMBLY W/FILTER G057514	Includes #10, #11, #13 & 2 ea of #12	
9.	839-311C	AIR CLEANER CLAMP PPGF30		
10.	839-323C	AIR FILTER P821575		
11.	839-375C	COVER W/LATCHES P533761		
12.	839-376C	LATCH P538928		
13.	839-377C	VACUATOR (BURP) P522958		
14.	840-072C	AIR INTAKE PLASTIC ST TRUCK		

Exhaust Components (S/N 440720+)

Applies to 4200NT, 4200ST, 4400NT, 4400ST

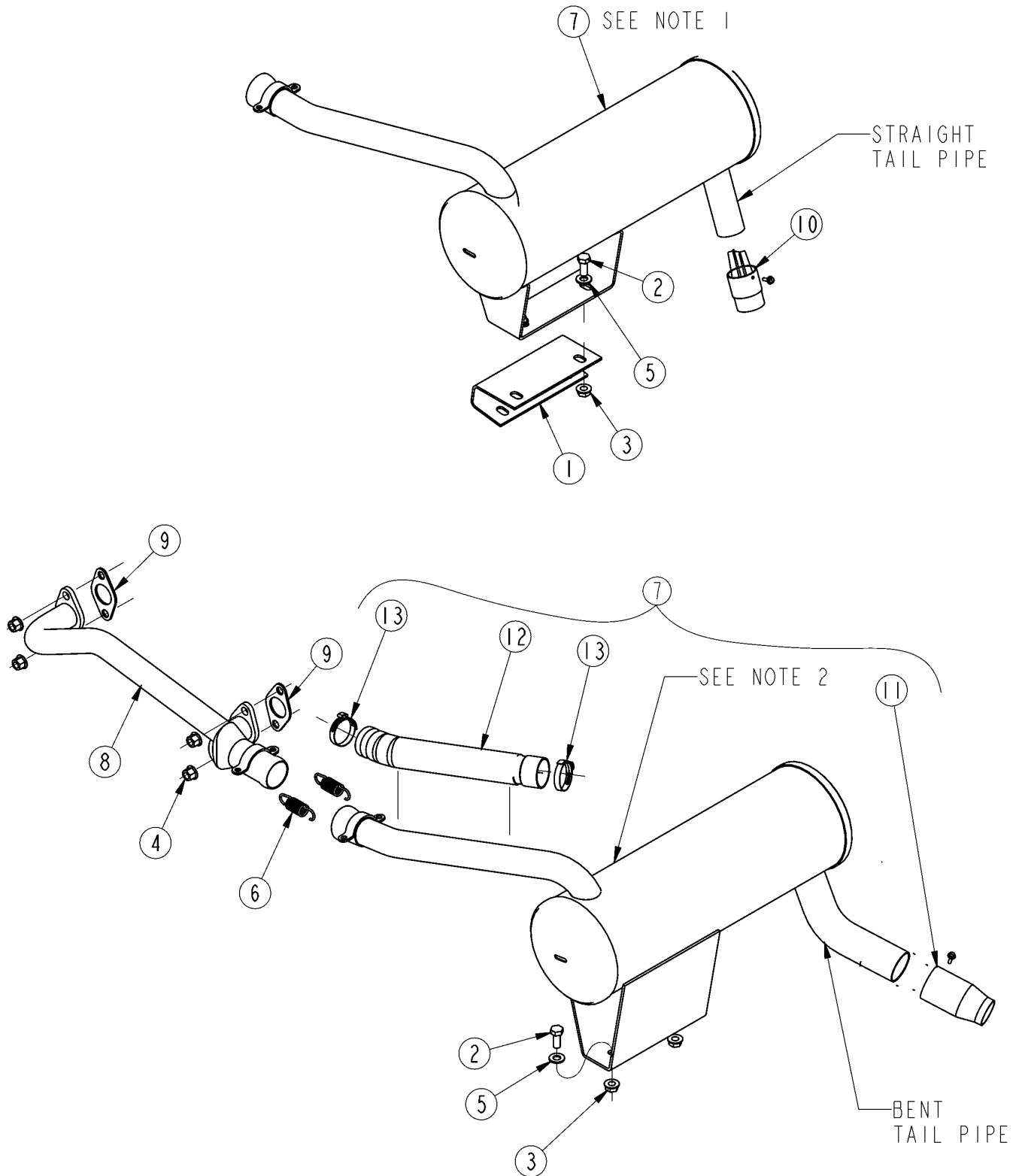


Exhaust Components (S/N 440720+)**Applies to 4200NT, 4200ST, 4400NT, 4400ST**

Ref	Part No.	Part Description	Comments	Revision
	dwg22118	Drawing Image Number		
1.	700-517D	SHIM, MUFFLER MOUNTING	As Required	
2.	801-183C	SCREW HEX SLT 8-18X1/2 PLT		
3.	801-193C	SCREW HEX #8 X 1/2 SELF TAP		
4.	802-735C	HHCS 5/16-18X3/4 GR5 YELLOW DI		
5.	803-177C	NUT HEX LOCK 5/16-18 FLG.		
6.	803-220C	NUT HEX FLANGE M8X1.25 PLT		
7.	804-084C	WASHER FLAT 5/16 HARD ASTM436		
8.	807-219C	SPRING EXT. .5ODX1.68LGX.08W		
9.	839-383C	GASKET MUFFLER HONDA 20HP		
10.	839-401C	HONDA 20 HP ENGINE MUFFLER		
11.	839-402C	HONDA 20 HP ENGINE MANIFOLD		
12.	839-403C	EXHAUST HEAT SHEILD 20 HP		
13.	840-315C	SPARK ARRESTER WITH SCREW		

Exhaust Components NT & ST S/N 440719-)

Applies to 4200NT, 4200ST, 4400NT, 4400ST



21239

Exhaust Components NT & ST S/N 440719-)**Applies to 4200NT, 4200ST, 4400NT, 4400ST**

Ref	Part No.	Part Description	Comments	Revision
	dwg21239	Drawing Image Number		
1.	700-227D	MUFFLER SUPPORT STAND	(S/N 421412-) See Note 1	
2.	802-735C	HHCS 5/16-18X3/4 GR5 YELLOW DI		
3.	803-177C	NUT HEX LOCK 5/16-18 FLG.		
4.	803-220C	NUT HEX FLANGE M8X1.25 PLT		
5.	804-084C	WASHER FLAT 5/16 HARD ASTM436		
6.	807-219C	SPRING EXTENSION .50D X 1.68LG X .08W		
7.	839-321C	HONDA ENGINE MUFFLER 18/20 HP TRUCK	(S/N 421413+) See Notes 2 & 3	
7.	N/A	MUFFLER WITH STRAIGHT TAIL PIPE	(S/N 421412-) Old style muffler	
8.	839-322C	ENGINE MANIFOLD-HONDA 18/20HP TRUCK		
9.	839-383C	GASKET MUFFLER HONDA 20HP		
10.	840-079C	SPARK ARRESTER 1.26 ID	(S/N 421412-) See Note 1	
11.	840-315c	SPARK ARRESTER WITH SCREW		
11.	840-176C	RPLBY 840-315C	(S/N 421413+) See Note 2	
12.	RIN10046	EXHAUST SOCK 20HP HONDA	See Note 2	
13.	RXR10148	EXHAUST SOCK CLAMP 2 PER PKG	See Note 2	

*

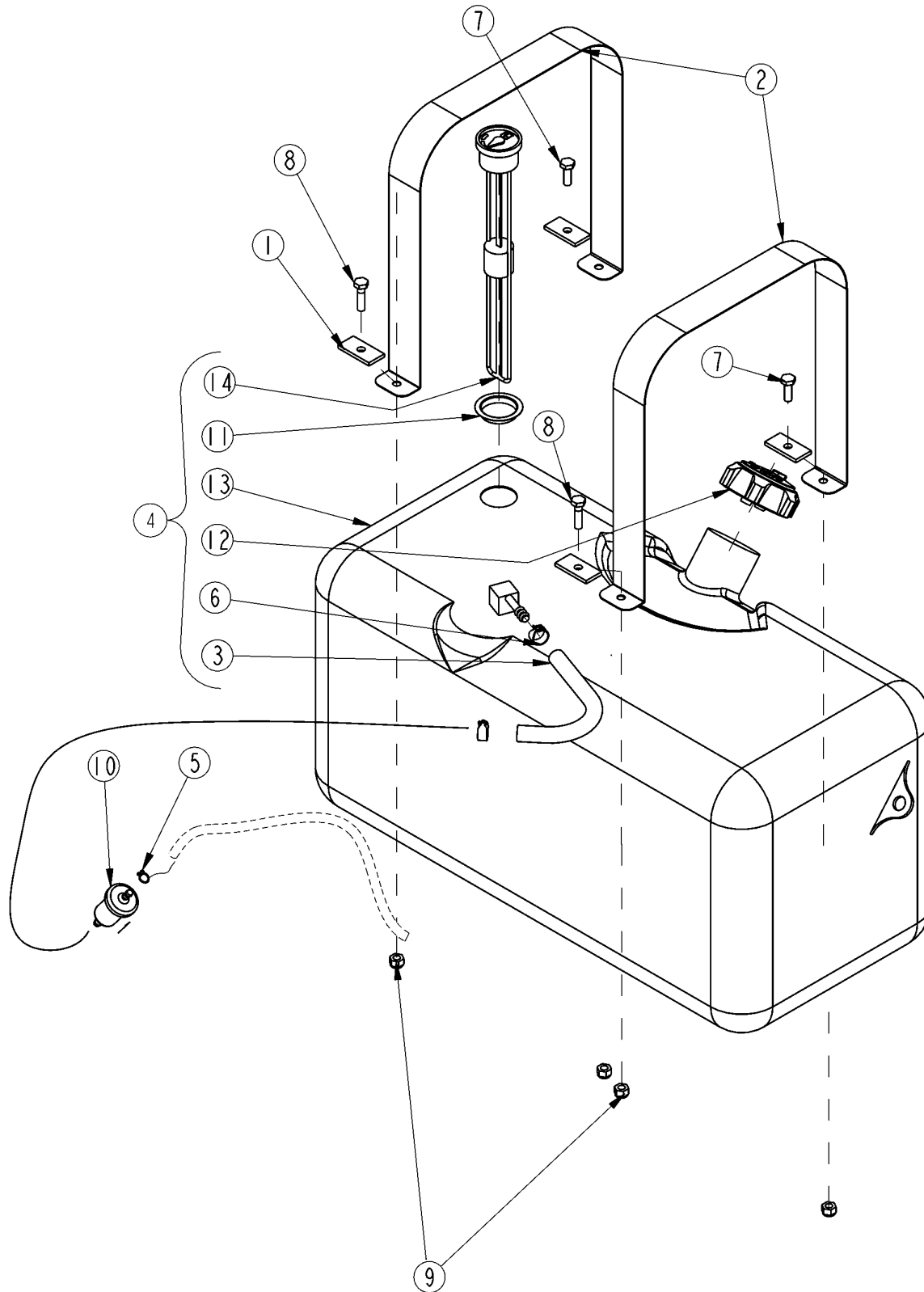
*

Notes:

- Items #1 and #10 are used with old style muffler only.
- Part No. 839-321C includes new style muffler with bent tail pipe and items #11, #12 and #13.
- If replacing total exhaust, upgrade by ordering 700-218S (straight exhaust manifold & heat shield) and 839-401C (muffler).

Fuel System Components

Applies to 4200ST, 4400ST



21245

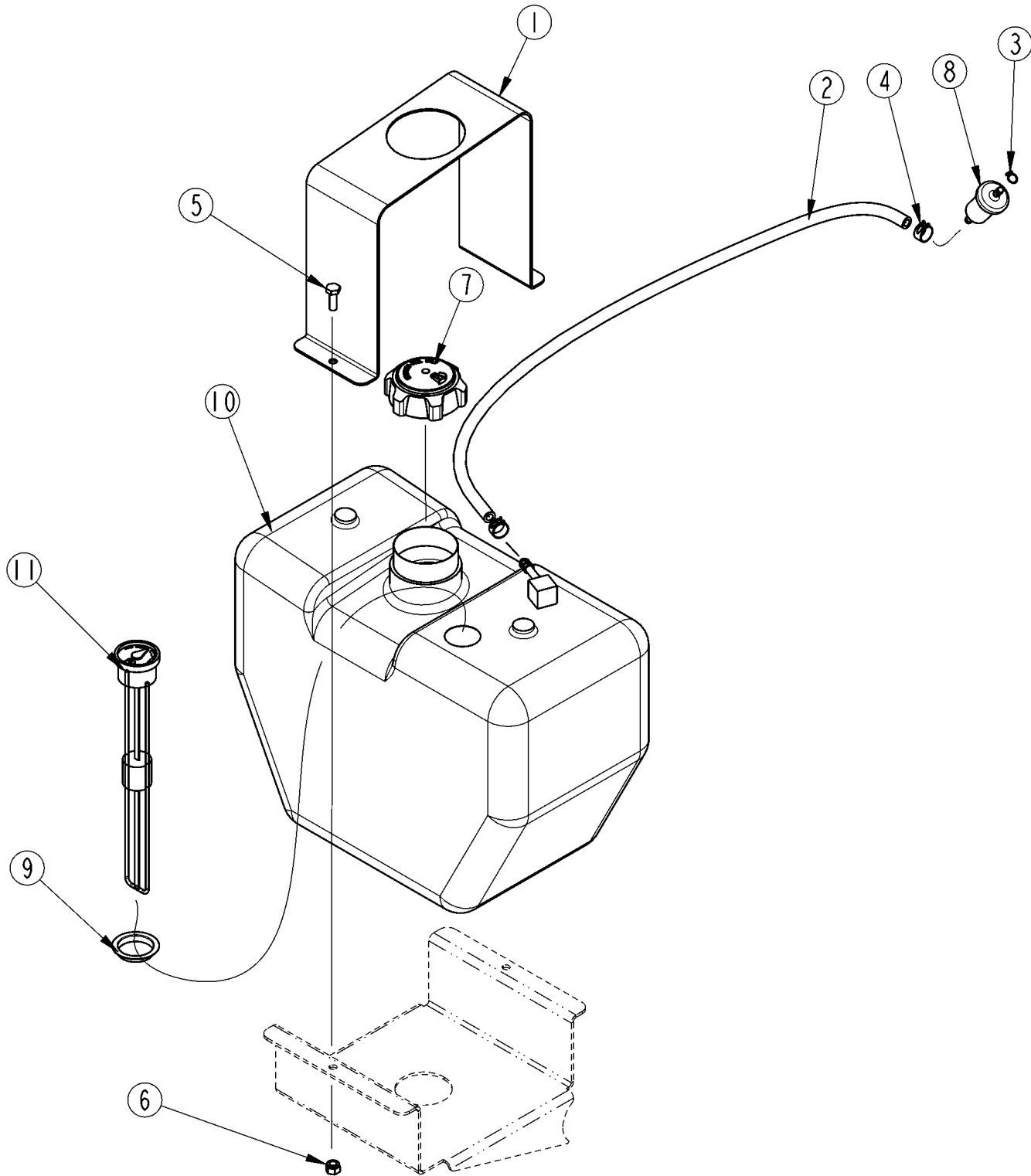
Fuel System Components

Applies to 4200ST, 4400ST

Ref	Part No.	Part Description	Comments	Revision
	dwg21245	Drawing Image Number		
1.	700-017D	GAS TANK MOUNT SPACER		
2.	700-175D	GAS TANK STRAP, WIDE		
3.	700-213D	FUEL LINE 9" ST MODEL		
4.	700-368S	ST FUEL TANK ASSY		
5.	800-007C	PINCH CLAMP HONDA .32OD HOSE		
6.	800-356C	CLAMP PINCH FOR .50 OD HOSE		
7.	802-004C	HHCS 1/4-20X3/4 GR5		
8.	802-005C	HHCS 1/4-20X1 GR5		
9.	803-255C	NUT HEX NYLOCK 1/4-20		
10.	831-035C	HONDA FUEL FILTER		
11.	839-297C	GROMMET FOR FUEL GAUGE		
12.	839-298C	FUEL CAP TALL		
13.	839-301C	FUEL TANK 8 GALLON ST		
14.	839-302C	FUEL GAUGE		

Fuel System Components, NT

Applies to 4200NT, 4400NT



21299

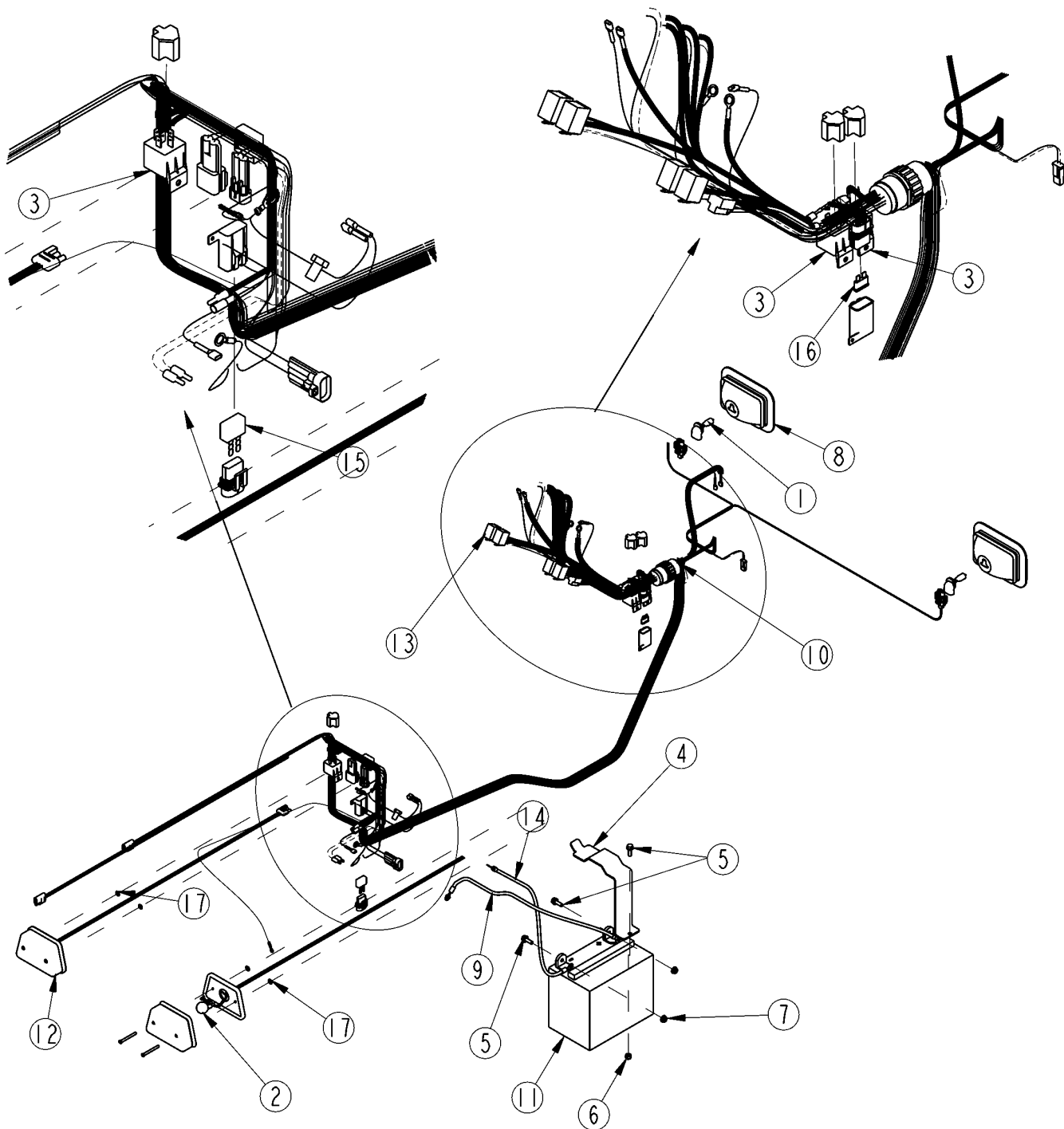
Fuel System Components, NT

Applies to 4200NT, 4400NT

Ref	Part No.	Part Description	Comments	Revision
	dwg21299	Drawing Image Number		
1.	700-146A	SERVICE - NT TANK STRAP W/DECAL		
2.	700-214D	FUEL LINE 31" NT MODEL		
3.	800-007C	PINCH CLAMP HONDA .32OD HOSE		
4.	800-356C	CLAMP PINCH FOR .50 OD HOSE		
5.	802-004C	HHCS 1/4-20 X 3/4 GR5		
6.	803-255C	NUT HEX NYLOCK 1/4-20		
7.	817-593C	FUEL CAP SHORT		
8.	831-042C	FUEL FILTER HONDA		
9.	839-297C	GROMMET FOR FUEL GAUGE		
10.	839-299C	FUEL TANK 4 GALLON NT		
11.	839-302C	FUEL GAUGE		

Electrical Wiring NT S/N 464880- ST S/N 464184-

Applies to 4200NT, 4200ST, 4400NT, 4400ST



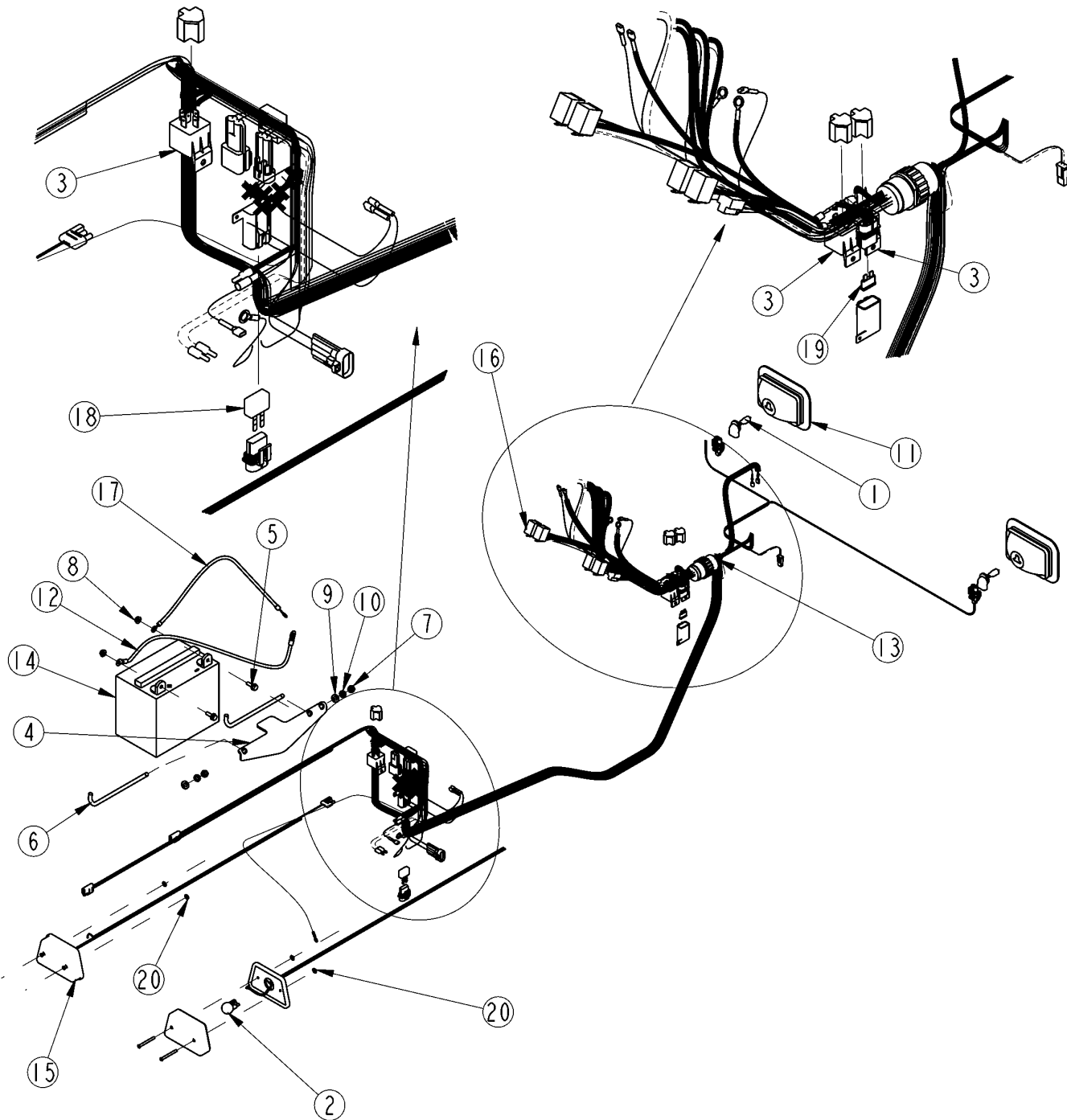
BATTERY LOCATION SHOWN FOR NT MODEL

Electrical Wiring NT S/N 464880- ST S/N 464184-**Applies to 4200NT, 4200ST, 4400NT, 4400ST**

Ref	Part No.	Part Description	Comments	Revision
	dwg21265	Drawing Image Number		
1.	N/A	HEADLIGHT BULB 37.5 WATT	894 - Available through your local auto parts store	
2.	N/A	TAILLIGHT BULB 1157	1157 - Available through your local auto parts store	
3.	0-332-209-150	RELAY BOSCH		
4.	710-093D	STRAP BATTERY HOLD DOWN		
5.	802-257C	HFSS 1/4-20 X 3/4 GR5		
6.	803-255C	NUT HEX NYLOCK 1/4-20		
7.	803-293C	NUT HEX FLNG T-LOCK 1/4-20 PLT		
8.	833-255C	HEADLIGHT WITH TRAP LENS 37.5 WATT	Includes bulb	
9.	833-257C	BATTERY CABLE POSITIVE 28 INCH NT	(NT Model)	
9.	833-256C	BATTERY CABLE POSITIVE 15 INCH ST	(ST Model)	
10.	833-348C	WIRING HARNESS, MAIN ST	(S/N 440714+)	Rev. 3 not compat. w/Rev. 2
10.	833-331C	MAIN WIRING HARNESS ST	(S/N 418339 to 440713)	Rev. 2 not compat. w/Rev. 1
10.	833-349C	WIRING HARNESS, MAIN NT	(S/N 440714+)	
10.	833-333C	MAIN WIRING HARNESS NT	(S/N 418339 to 440713)	Rev. 2 not compat. w/Rev. 1
10.	833-260C	WIRING HARNESS TRUCK	(S/N 418338-)	
11.	N/A	BATTERY	BCI Group U1/U1R, min. 300CCA. See Note 1	
12.	833-277C	TAILLIGHT	Includes bulb	
13.	833-335C	WIRE HARNESS INSTRUMENT PANEL	(S/N 418339+)	Rev. 2 not compat. w/Rev. 1
13.	833-296C	WIRING HARNESS INSTRUMENT PANL	(S/N 418338-)	
14.	833-303C	20" 6GA NEGATIVE BLACK CABLE		
15.	833-338C	30 AMP RESETABLE CIRUIT BREAKR		
16.	839-288C	20 AMP FUSE (5 PACK)		
17.	840-105C	PUSH RETAINERS 4 NON-THRD SHFT		
		*		
		*		
		NOTES:		
		1. Due to extra shipping cost resulting from chemical hazard rating, Land Pride recommends the battery be purchased locally and has provided detailed battery information above.		

Electrical Wiring NT S/N 464881+ ST S/N 464185+

Applies to 4200NT, 4200ST, 4400NT, 4400ST



BATTERY LOCATION SHOWN FOR ST MODEL

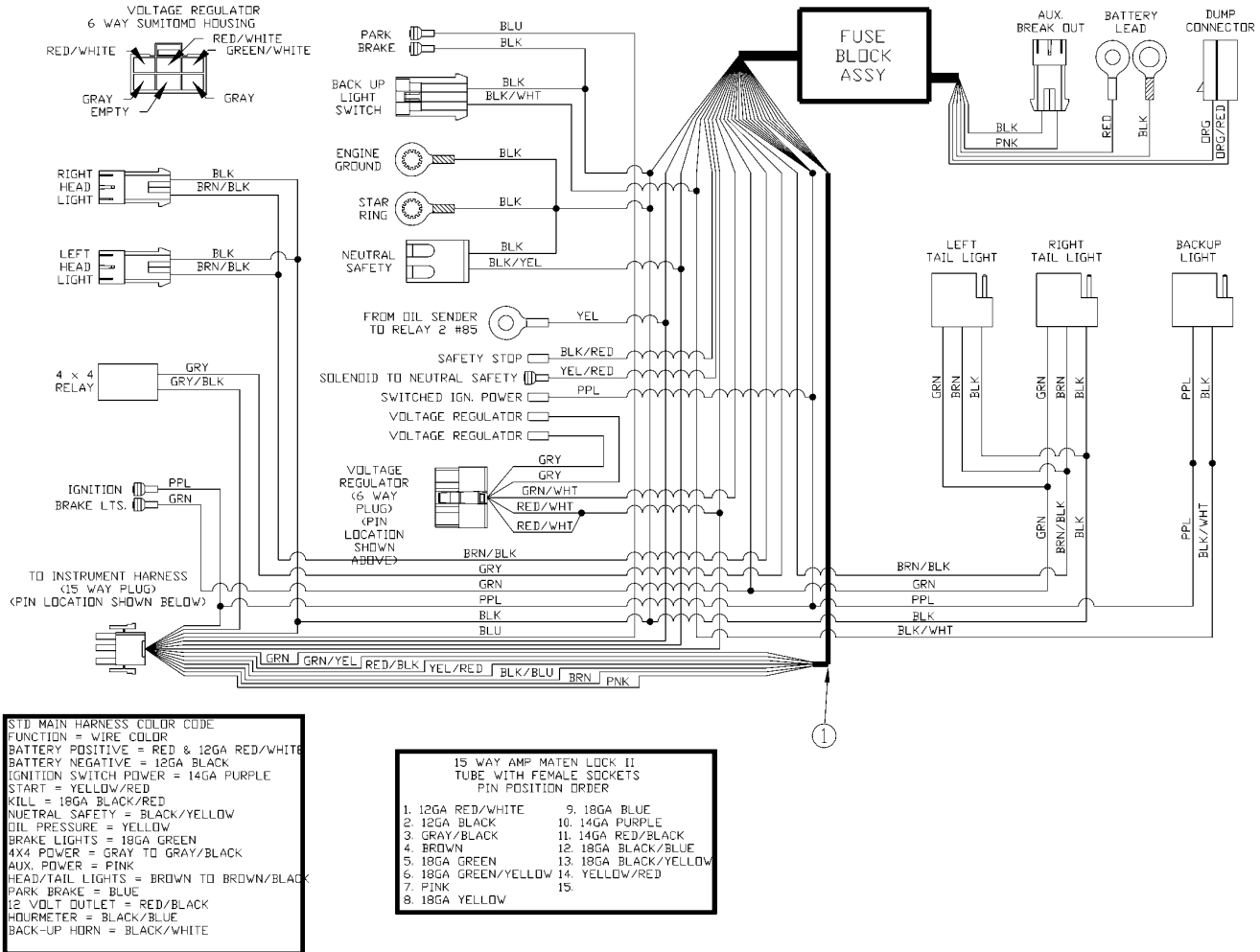
23889

Electrical Wiring NT S/N 464881+ ST S/N 464185+**Applies to 4200NT, 4200ST, 4400NT, 4400ST**

Ref	Part No.	Part Description	Comments	Revision
	dwg23889	Drawing Image Number		
1.	N/A	HEADLIGHT BULB 37.5 WATT	894 - Available through your local auto parts store	
2.	N/A	TAILLIGHT BULB 1157	1157 - Available through your local auto parts store	
3.	0-332-209-150	RELAY BOSCH		
4.	700-456D	HOLDOWN, BATTERY ST		
5.	802-257C	HFSS 1/4-20X3/4 GR5		
6.	802-793C	SP HOOK 5/16-18X9X3 THREAD		
7.	803-008C	NUT HEX 5/16-18 PLT		
8.	803-293C	NUT HEX FLNG T-LOCK 1/4-20 YLW		
9.	804-036C	WASHER FLAT 5/16 SAE PLT		
10.	804-201C	WASHER LOCK SPRING 5/16 YELLOW		
11.	833-255C	HEADLIGHT W/TRAP LENS 37.5WATT		
12.	833-256C	BATTERY CABLE POSITIVE 15 INCH		
13.	833-348C	WIRING HARNESS, MAIN ST		
13.	833-349C	WIRING HARNESS, MAIN NT		
14.	N/A	BATTERY	Buy Locally	
15.	833-277C	TAILLIGHT		
16.	833-296C	WIRING HARNESS INSTRUMENT PANL		
17.	833-303C	20" 6GA NEGATIVE BLACK CABLE		
18.	833-338C	30 AMP RESETABLE CIRUIT BREAKR		
19.	839-288C	20 AMP FUSE (5 PACK)		
20.	840-105C	PUSH RETAINERS 4 NON-THRD SHFT		

Electrical Wiring Schematic, Main 00 Series NT

Applies to 4200NT, 4400NT



23886

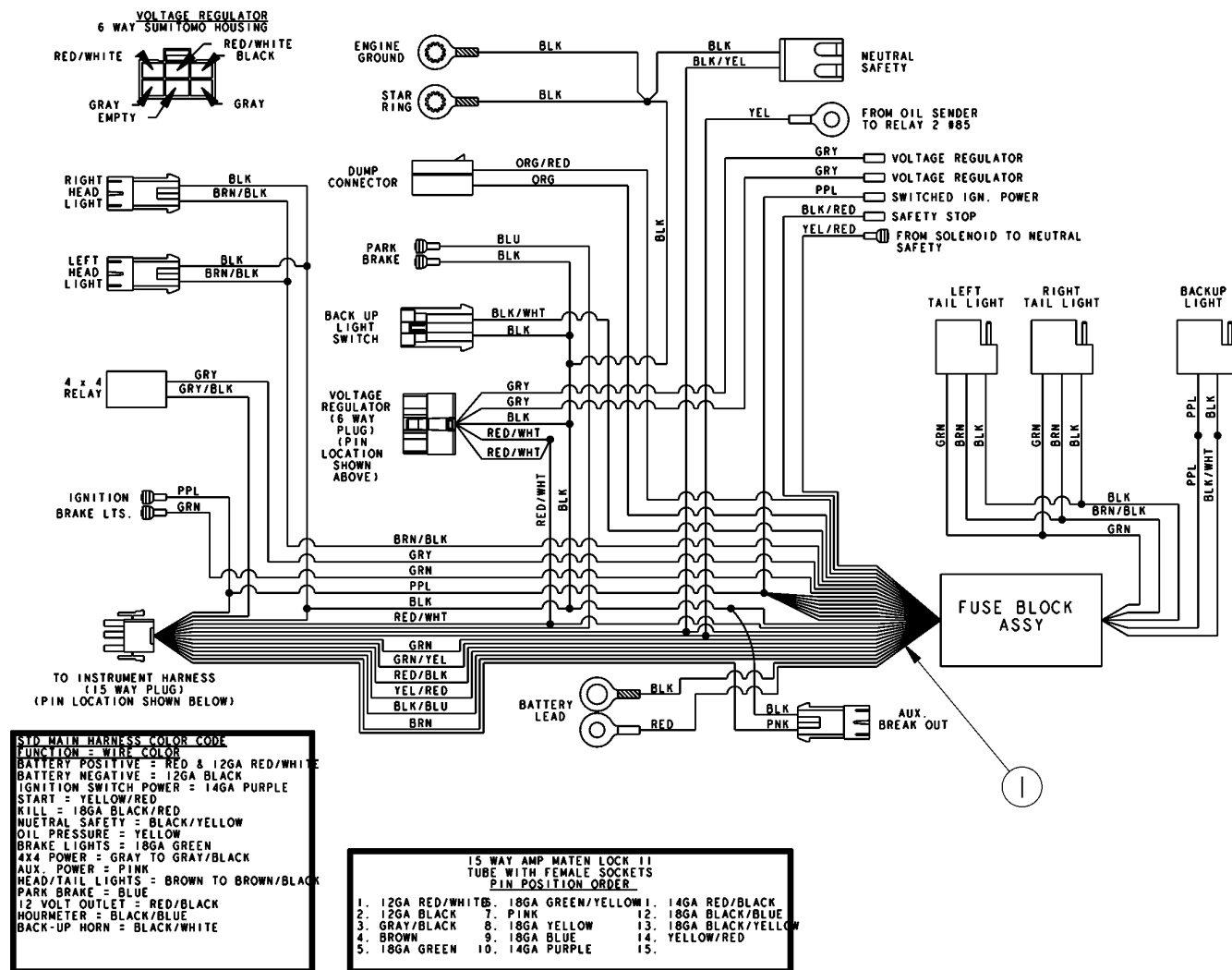
Electrical Wiring Schematic, Main 00 Series NT

Applies to 4200NT, 4400NT

Ref	Part No.	Part Description	Comments	Revision
	dwg23886	Drawing Image Number		
1.	833-349C	WIRING HARNESS, MAIN NT		

Electrical Wiring Schematic, Main 00 Series ST

Applies to 4200ST, 4400ST



23857

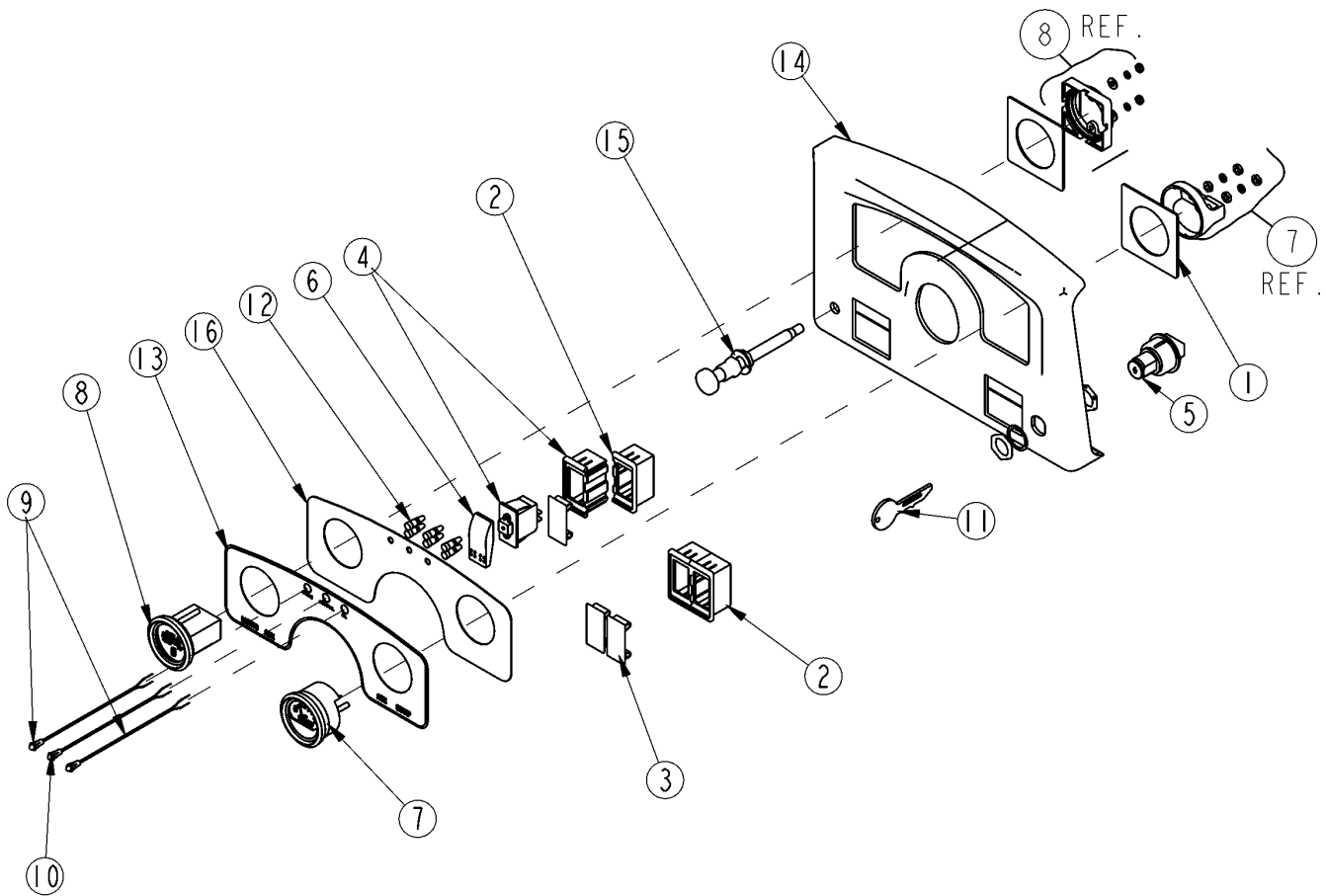
Electrical Wiring Schematic, Main 00 Series ST

Applies to 4200ST, 4400ST

Ref	Part No.	Part Description	Comments	Revision
	dwg23857	Drawing Image Number		
1.	833-348C	WIRING HARNESS, MAIN ST		

Instrument Panel, 4200 (S/N 418338-)

Applies to 4200NT, 4200ST



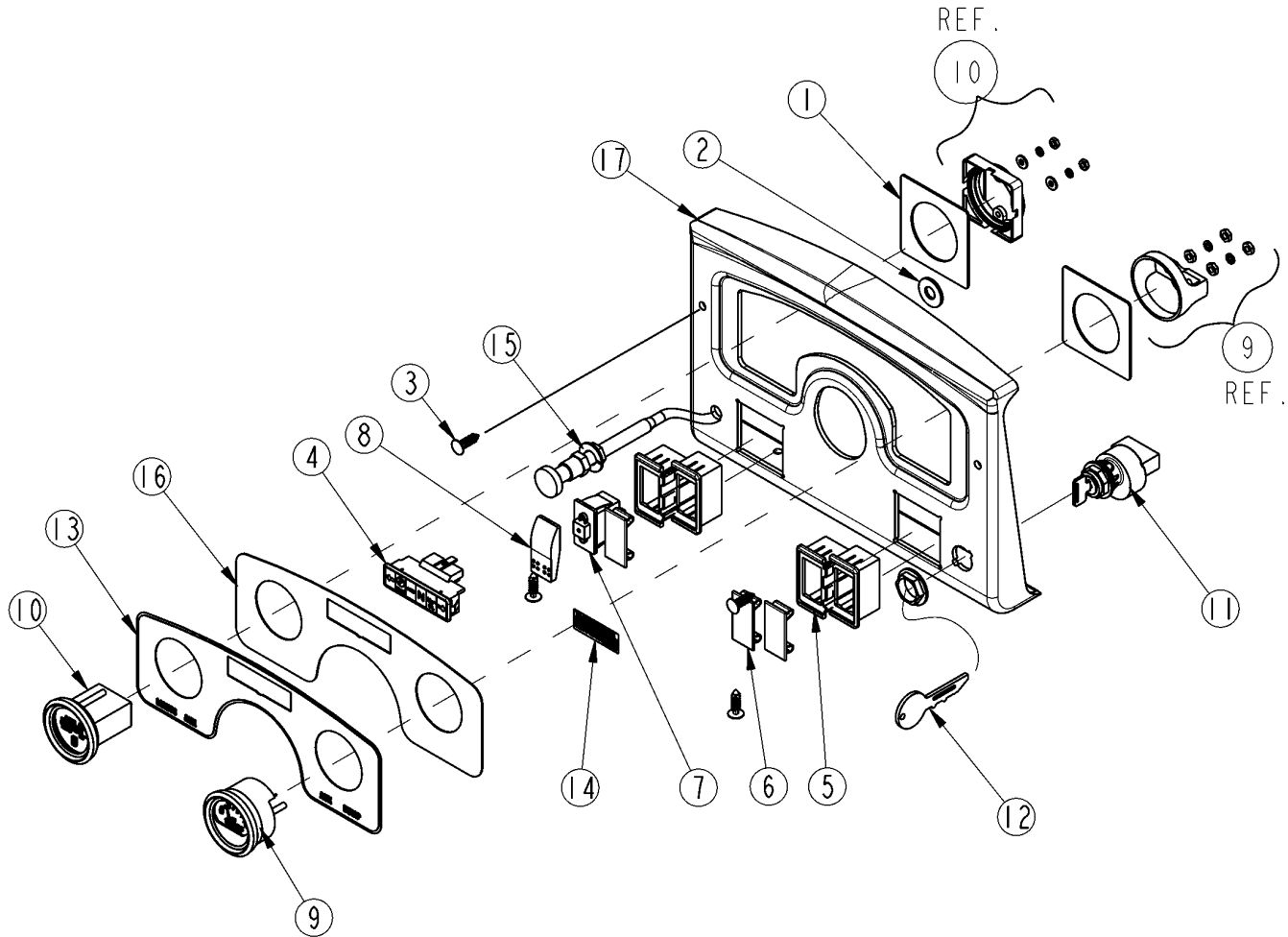
Instrument Panel, 4200 (S/N 418338-)

Applies to 4200NT, 4200ST

Ref	Part No.	Part Description	Comments	Revision
	dwg21234	Drawing Image Number		
1.	700-211D	DASH BACKER PLATE		
2.	833-267C	SWITCH MOUNT END		
3.	833-268C	PANEL PLUG		
4.	833-269C	SWITCH ROCKER SPST		
5.	833-270C	IGNITION SWITCH WITH 2 KEYS		
6.	833-271C	SWITCH ACTUATOR		
7.	833-298C	GAUGE, VOLT METER		
8.	833-299C	GAUGE, HOUR METER		
9.	833-300C	LIGHT, WARNING RED		
10.	833-313C	LIGHT, WARNING AMBER		
11.	833-325C	KEY IGNITION (RP KEY 833-270C)		
12.	833-329C	MALE BULLET INSUL.WAYTEK 30561		
13.	838-569C	DECAL INSTR. PANEL TRUCK 4X2		
14.	840-097C	DASH TRUCK		
15.	840-120C	CHOKE CABLE 78		
16.	840-125C	INSTRUMENT PANEL TRUCK 4X2		

Instrument Panel, 4200 (SN 418339 to 440716)

Applies to 4200NT, 4200ST

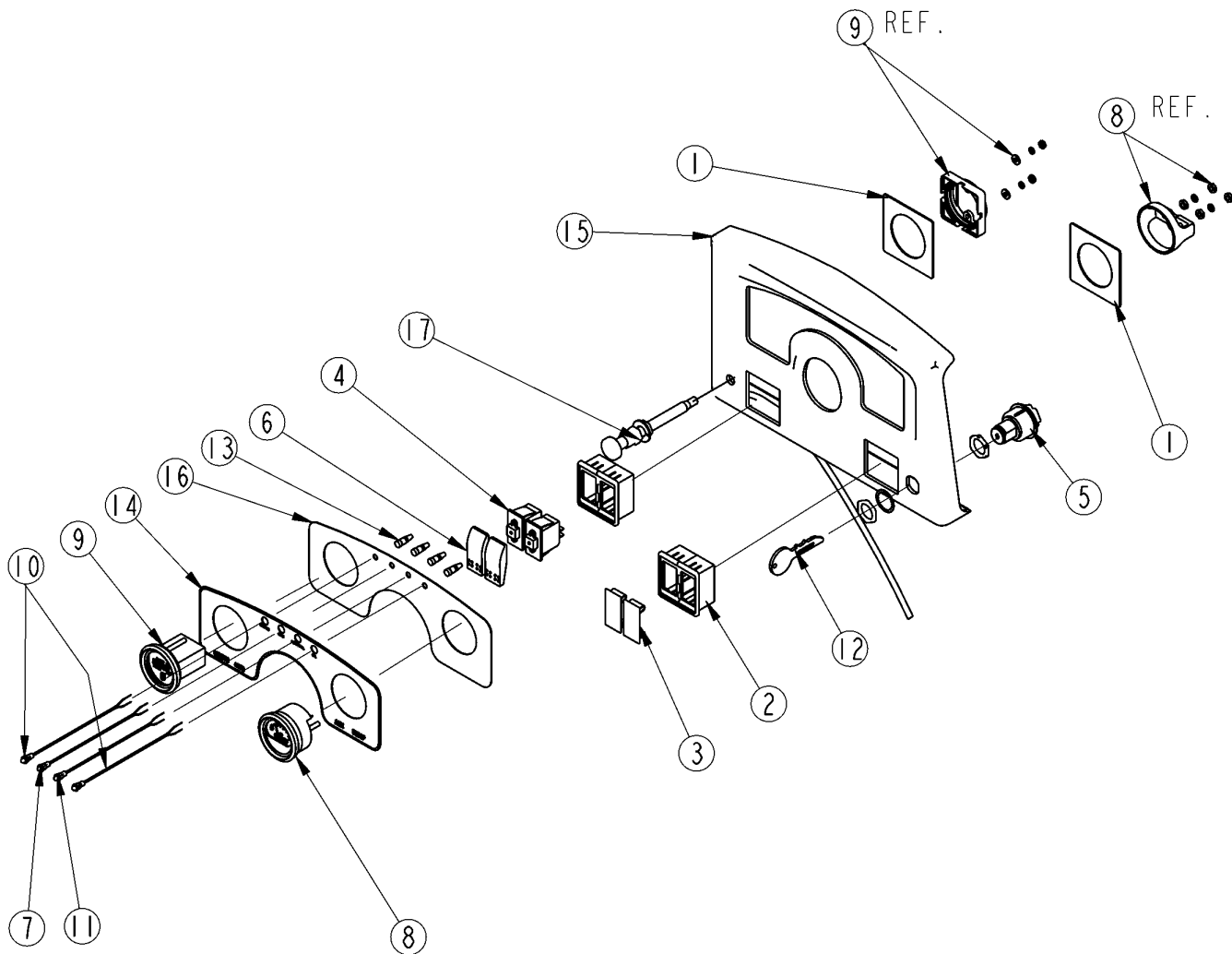


Instrument Panel, 4200 (SN 418339 to 440716)**Applies to 4200NT, 4200ST**

Ref	Part No.	Part Description	Comments	Revision
	dwg21386	Drawing Image Number		
1.	700-211D	DASH BACKER PLATE		
2.	804-011C	WASHER FLAT 3/8 USS PLT	(S/N 434145+)	
3.	817-527C	TREE RIVET		
4.	833-020C	INDICATOR LIGHT STRIP 8-PIN	Replacement Bulb 833-418c	
5.	833-267C	SWITCH MOUNT END		
6.	833-268C	PANEL PLUG		
7.	833-269C	SWITCH ROCKER SPST		
8.	833-271C	SWITCH ACTUATOR		
9.	833-298C	GAUGE, VOLT METER		
10.	833-299C	GAUGE, HOUR METER		
11.	833-336C	IGNITION SWITCH W/2 KEYS(6PIN)		
12.	833-342C	KEY W/SHIELD (RP FOR 833-336C)		
13.	838-623C	DECAL INSTRUMENT PANEL		
14.	838-668C	DECAL SETTING OF PARK BRAKE		
15.	840-120C	CHOKE CABLE 78		
16.	840-160C	INSTRUMENT PANEL		
17.	840-161C	DASH TRUCK		

Instrument Panel, 4400 (S/N 418338-)

Applies to 4400NT, 4400ST



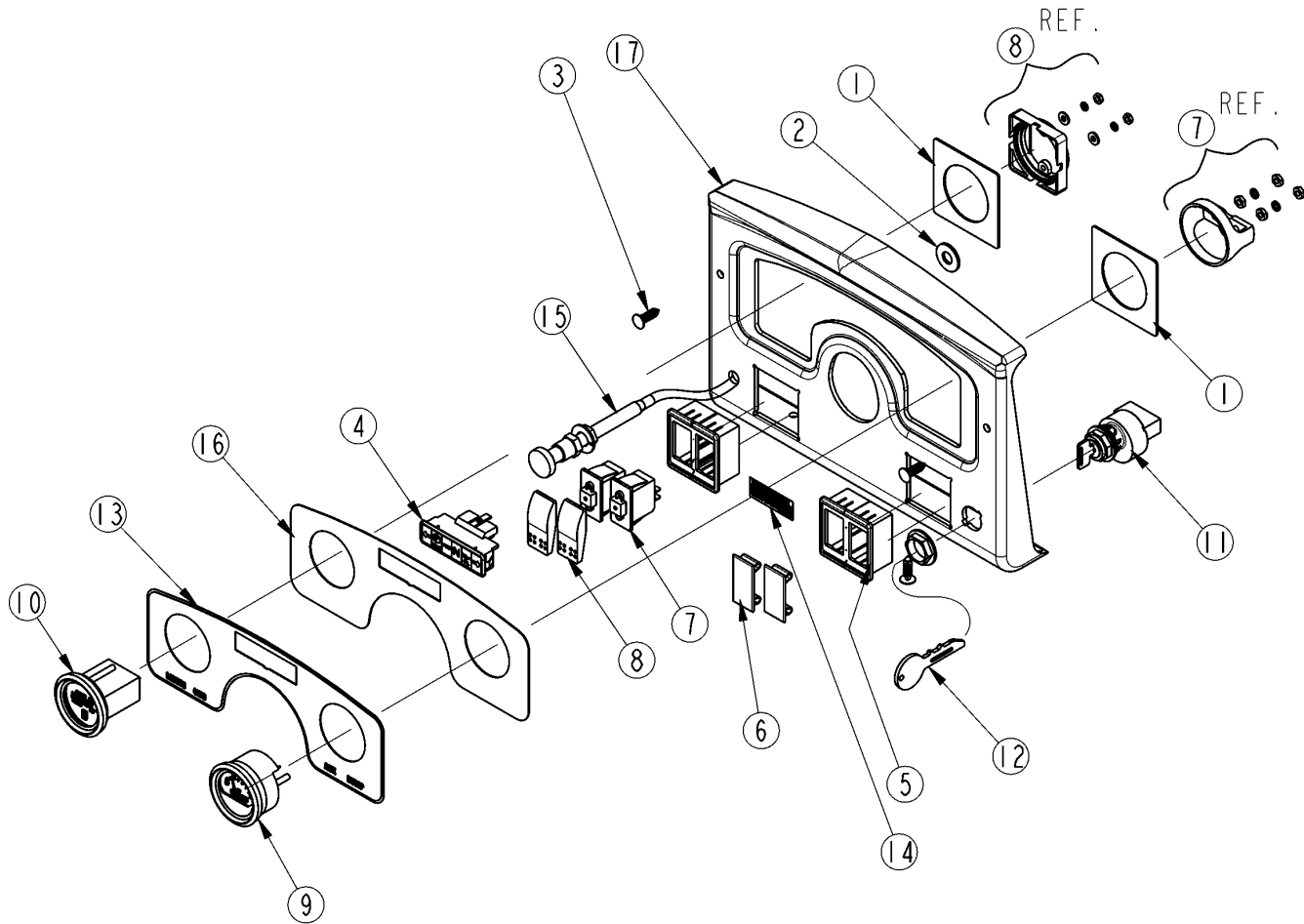
21228

Instrument Panel, 4400 (S/N 418338-)**Applies to 4400NT, 4400ST**

Ref	Part No.	Part Description	Comments	Revision
	dwg21228	Drawing Image Number		
1.	700-211D	DASH BACKER PLATE		
2.	833-267C	SWITCH MOUNT END		
3.	833-268C	PANEL PLUG		
4.	833-269C	SWITCH ROCKER SPST		
5.	833-270C	IGNITION SWITCH WITH 2 KEYS		
6.	833-271C	SWITCH ACTUATOR		
7.	833-297C	LIGHT, WARNING GREEN		
8.	833-298C	GAUGE, VOLT METER		
9.	833-299C	GAUGE, HOUR METER		
10.	833-300C	LIGHT, WARNING RED		
11.	833-313C	LIGHT, WARNING AMBER		
12.	833-325C	REPLACEMENT KEY, IGNITION		
13.	833-329C	MALE BULLET INSUL.WAYTEK 30561		
14.	838-541C	DECAL INSTR. PANEL TRUCK 4X4		
15.	840-097C	DASH TRUCK		
16.	840-102C	INSTRUMENT PANEL TRUCK 4X4		
17.	840-120C	CHOKE CABLE 78		

Instrument Panel, 4400 (S/N 418339 to 440713)

Applies to 4400NT, 4400ST

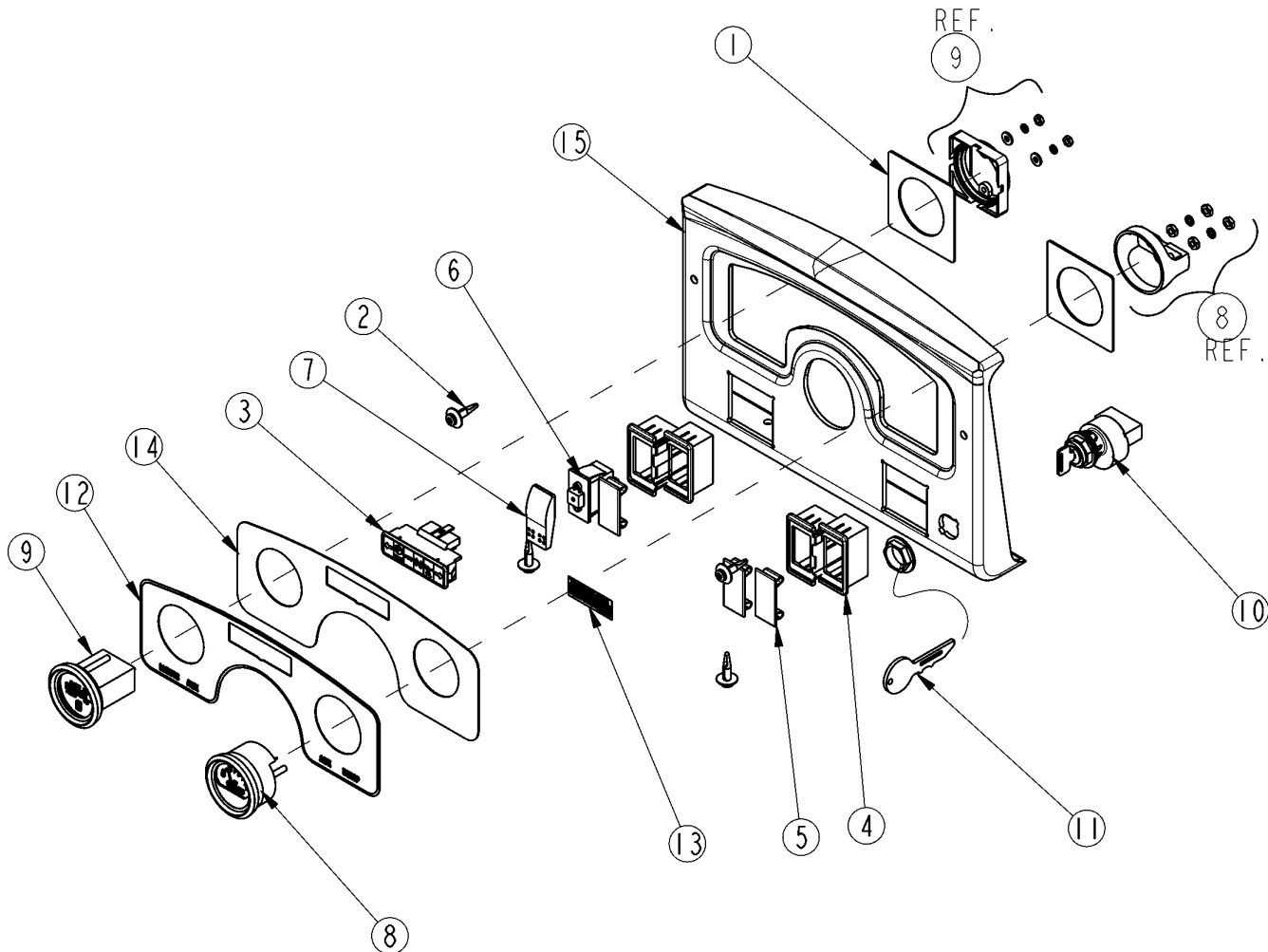


Instrument Panel, 4400 (S/N 418339 to 440713)**Applies to 4400NT, 4400ST**

Ref	Part No.	Part Description	Comments	Revision
	dwg21385	Drawing Image Number		
1.	700-211D	DASH BACKER PLATE		
2.	804-011C	WASHER FLAT 3/8 USS PLT	(S/N 434145+)	
3.	817-527C	TREE RIVET		
4.	833-020C	INDICATOR LIGHT STRIP 8-PIN	Replacement Bulb 833-418c	
5.	833-267C	SWITCH MOUNT END		
6.	833-268C	PANEL PLUG		
7.	833-269C	SWITCH ROCKER SPST		
8.	833-271C	SWITCH ACTUATOR		
9.	833-298C	GAUGE, VOLT METER		
10.	833-299C	GAUGE, HOUR METER		
11.	833-336C	IGNITION SWITCH W/2 KEYS(6PIN)		
12.	833-342C	KEY W/SHIELD (RP FOR 833-336C)		
13.	838-623C	DECAL INSTRUMENT PANEL		
14.	838-668C	DECAL SETTING OF PARK BRAKE		
15.	840-120C	CHOKE CABLE 78		
16.	840-160C	INSTRUMENT PANEL		
17.	840-161C	DASH TRUCK		

Insturment Panel, 4200 (S/N 440714+)

Applies to 4200NT, 4200ST

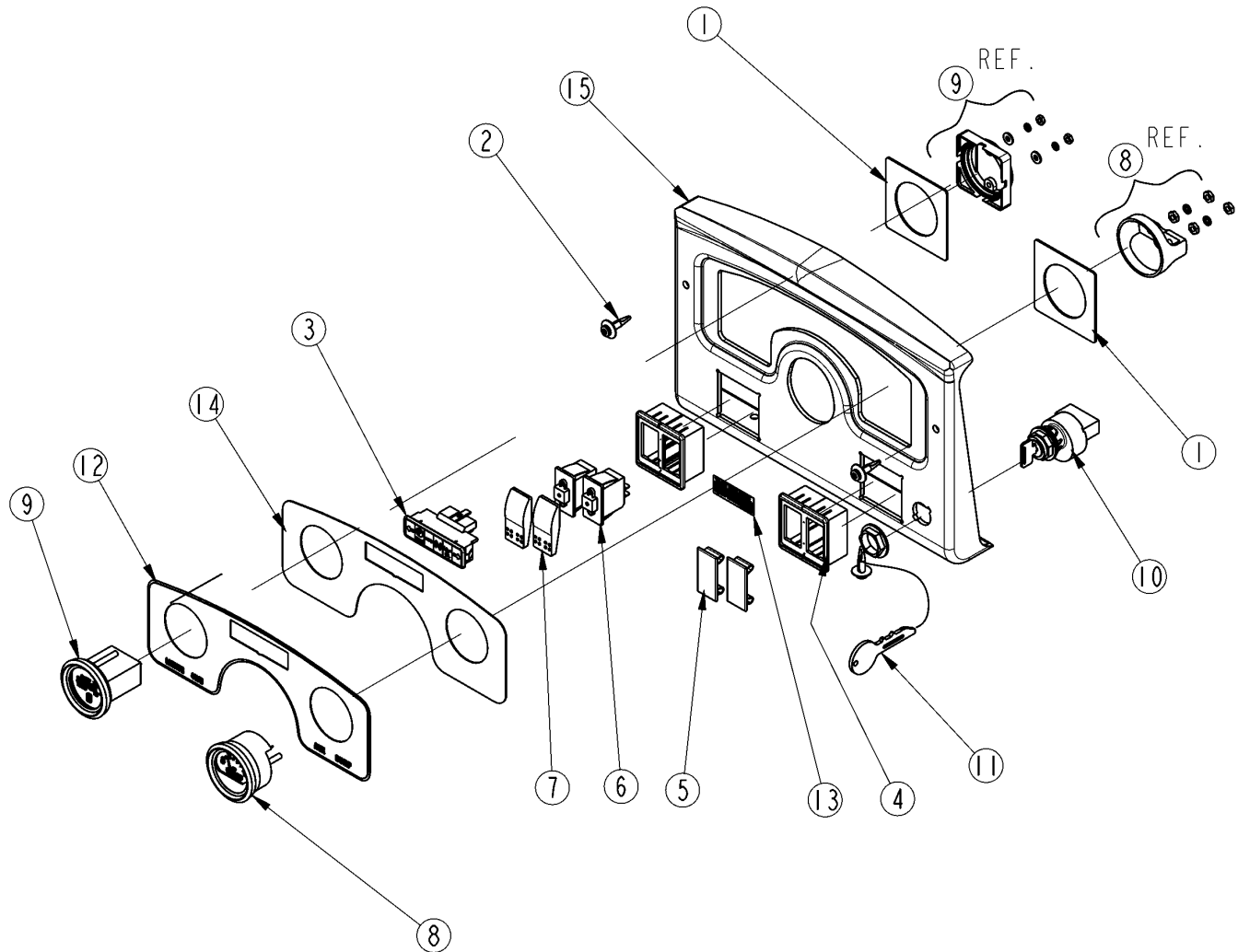


Instrument Panel, 4200 (S/N 440714+)**Applies to 4200NT, 4200ST**

Ref	Part No.	Part Description	Comments	Revision
	dwg22414	Drawing Image Number		
1.	700-211D	DASH BACKER PLATE		
2.	800-236C	RIVET, 1/4 REMOVEABLE	S/N 464837+	
2.	817-527C	TREE RIVET	S/N 464836-	
3.	833-020C	INDICATOR LIGHT STRIP 8-PIN	Replacement Bulb 833-418c	
4.	833-267C	SWITCH MOUNT END		
5.	833-268C	PANEL PLUG		
6.	833-269C	SWITCH ROCKER SPST		
7.	833-271C	SWITCH ACTUATOR		
8.	833-298C	GAUGE, VOLT METER		
9.	833-299C	GAUGE, HOUR METER		
10.	833-336C	IGNITION SWITCH W/2 KEYS(6PIN)		
11.	833-342C	KEY W/SHIELD (RP FOR 833-336C)		
12.	838-623C	DECAL INSTRUMENT PANEL		
13.	838-668C	DECAL SETTING OF PARK BRAKE		
14.	840-160C	INSTRUMENT PANEL		
15.	840-248C	DASH TRUCK		

Insturment Panel, 4400 (S/N 440714+)

Applies to 4400NT, 4400ST



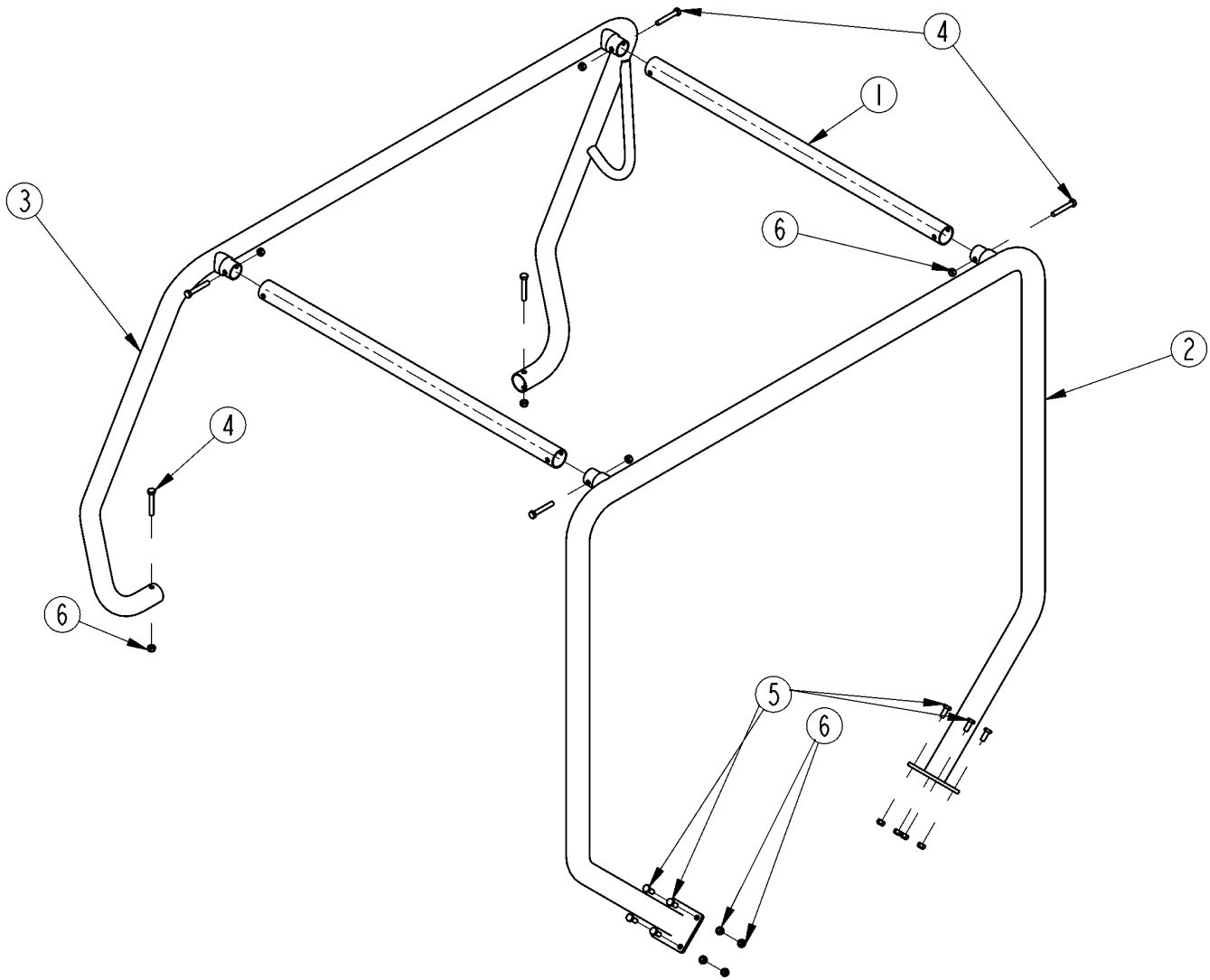
22417

Instrument Panel, 4400 (S/N 440714+)**Applies to 4400NT, 4400ST**

Ref	Part No.	Part Description	Comments	Revision
	dwg22417	Drawing Image Number		
1.	700-211D	DASH BACKER PLATE		
2.	800-236C	RIVET, 1/4 REMOVEABLE	S/N 464837+	
2.	817-527C	TREE RIVET	S/N 464836-	
3.	833-020C	INDICATOR LIGHT STRIP 8-PIN	Replacement Bulb 833-418c	
4.	833-267C	SWITCH MOUNT END		
5.	833-268C	PANEL PLUG		
6.	833-269C	SWITCH ROCKER SPST		
7.	833-271C	SWITCH ACTUATOR		
8.	833-298C	GAUGE, VOLT METER		
9.	833-299C	GAUGE, HOUR METER		
10.	833-336C	IGNITION SWITCH W/2 KEYS(6PIN)		
11.	833-342C	KEY W/SHIELD (RP FOR 833-336C)		
12.	838-633C	DECAL INSTR. PANEL TRUCK 4X4		
13.	838-668C	DECAL SETTING OF PARK BRAKE		
14.	840-160C	INSTRUMENT PANEL		
15.	840-248C	DASH TRUCK		

Four Post Accessory Bar

Applies to 4200NT, 4200ST, 4400NT, 4400ST



21258

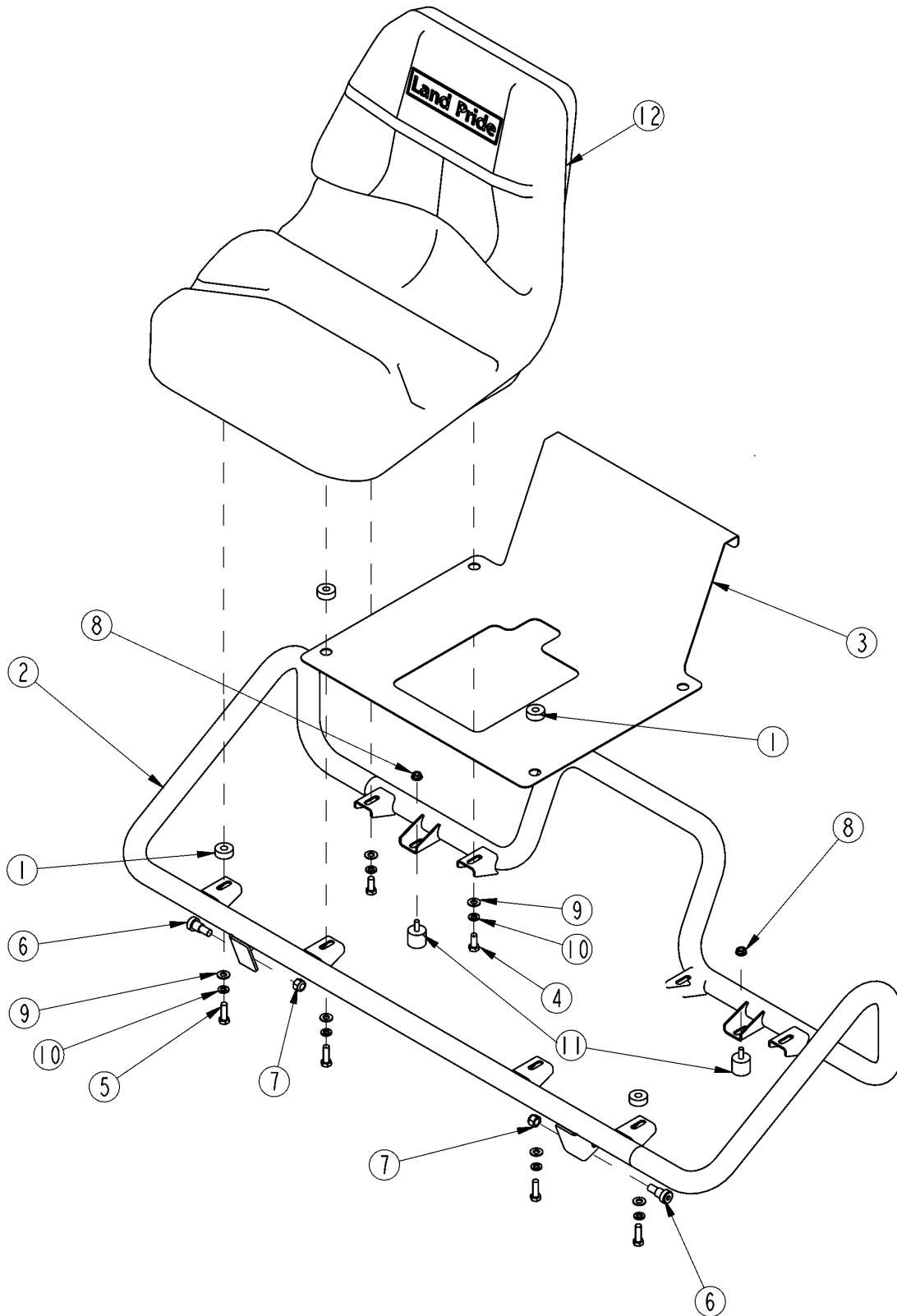
Four Post Accessory Bar

Applies to 4200NT, 4200ST, 4400NT, 4400ST

Ref	Part No.	Part Description	Comments	Revision
	dwg21258	Drawing Image Number		
1.	700-036D	ACCESSORY CROSS BAR		
2.	700-067H	ACCESSORY REAR WLDMNT NARROW	NT	
2.	700-068H	ACCESSORY REAR WLDMNT WIDE	ST	
3.	700-069H	ACCESSORY FRONT WLDMNT NARROW	NT	
3.	700-070H	ACCESSORY FRONT WLDMNT WIDE	ST	
4.	802-115C	HHCS 5/16-18X2 GR5		
5.	802-735C	HHCS 5/16-18X3/4 GR5 YELLOW DI		
6.	803-084C	NUT HEX NYLOCK 5/16-18 PLT		

Seat Components

Applies to 4200NT, 4200ST, 4400NT, 4400ST



21256

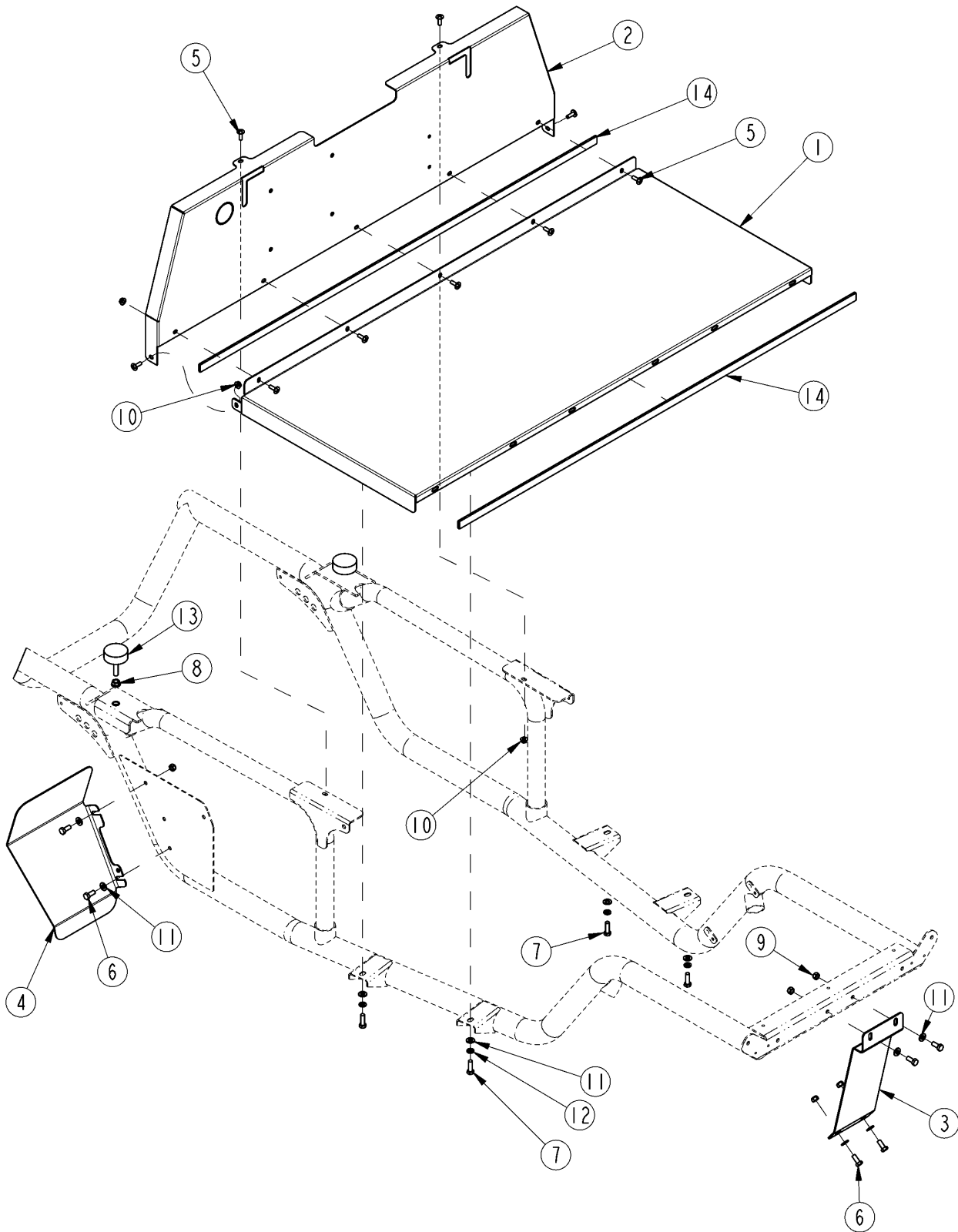
Seat Components

Applies to 4200NT, 4200ST, 4400NT, 4400ST

Ref	Part No.	Part Description	Comments	Revision
	dwg21256	Drawing Image Number		
1.	356-074D	SPCR DELUXE SEAT MNT RAZOR PRO	S/N 464148+ NT Unit Only	
2.	700-042H	SEAT NARROW WELDMENT	(NT Model)	
2.	700-043H	SEAT WIDE WELDMENT	(ST Model)	
3.	700-148A	SERV - NT CONSOLE PLT W/DECALS	(NT Model)	
3.	700-149A	SERV - ST CONSOLE PLT W/DECALS	(ST Model)	
4.	802-735C	HHCS 5/16-18 X 3/4 GR5 YELLOW DI		
5.	802-738C	HHCS 5/16-18X1 GR5 YELLOW DIE	S/N 464148+	
5.	802-735C	HHCS 5/16-18 X 3/4 GR5 YELLOW DI	S/N 464147-	
6.	802-747C	HSRSS 1/2 X 1/2 3/8-16 UNC SS		
7.	803-078C	NUT LOCK 3/8-16 NYLON INSERT		
8.	803-230C	NUT HEX FLANGE 1/4-20 PLT		
9.	804-084C	WASHER FLAT 5/16 HARD ASTMF436		
10.	804-201C	WASHER LOCK SPRING 5/16 YELLOW		
11.	816-496C	RBR STOP 1" OD 7/8" THK W/STUD	S/N 464148+	
11.	816-425C	RBR STOP 1" OD 3/8" THK W/STUD	S/N 464147-	
12.	839-300C	BUCKET SEAT ATV BLACK		
12.	839-303C	BUCKET SEAT ATV TAN		

Panels and Shields, NT S/N (460319-)

Applies to 4200NT, 4400NT



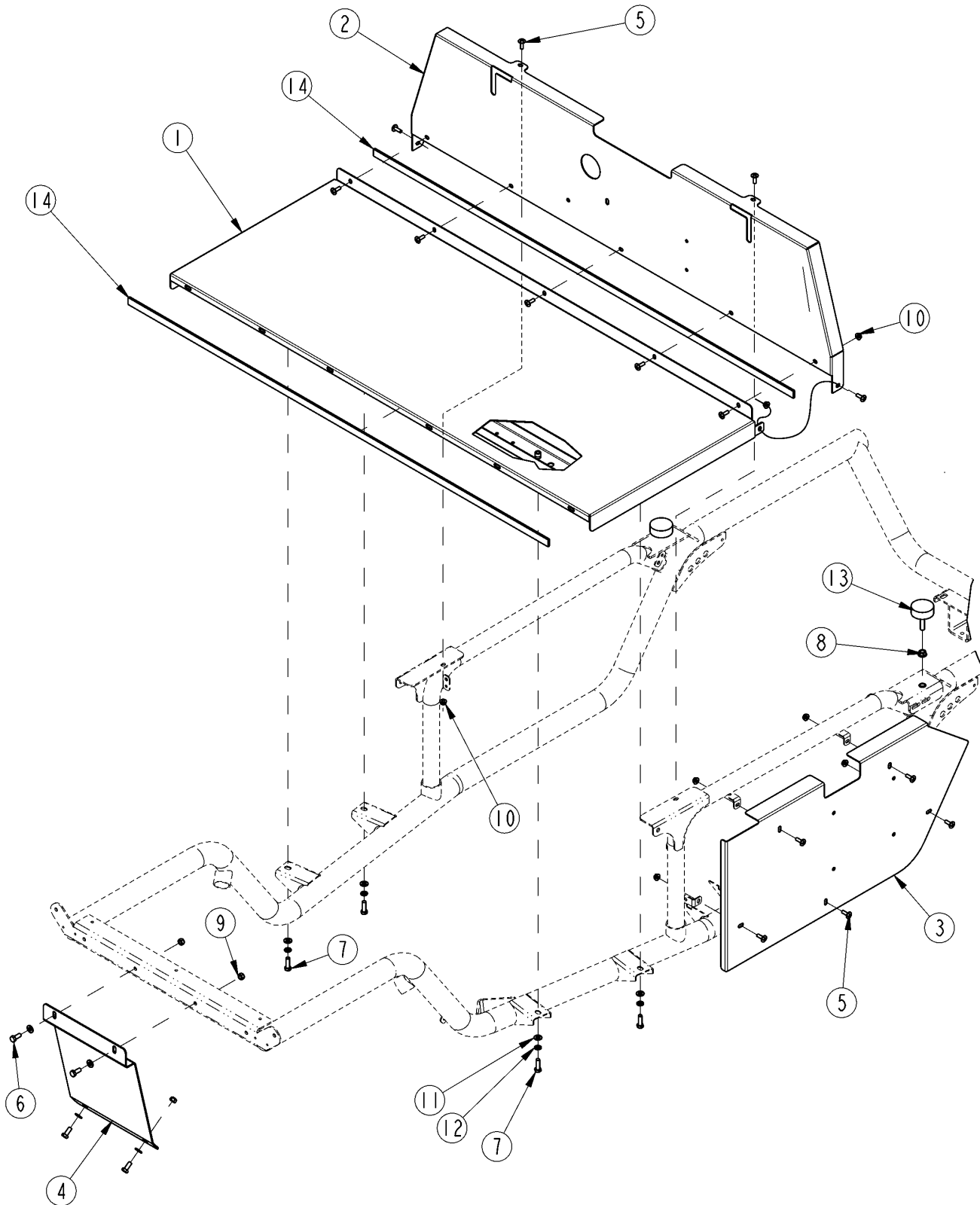
21211

Panels and Shields, NT S/N (460319-)**Applies to 4200NT, 4400NT**

Ref	Part No.	Part Description	Comments	Revision
	dwg21211	Drawing Image Number		
1.	700-140S	FLOOR NT W/NUT ZERTS ASSEMBLY		
2.	700-150A	SERV - NT FIREWALL W/DECAL		
3.	700-196D	FRONT FRAME GUARD NT		
4.	700-202D	SPLASH GUARD NT		
5.	801-180C	TPHMS Y 1/4-20X3/4 YELLOW DIE		
6.	802-735C	HHCS 5/16-18X3/4 GR5 YELLOW DI		
7.	802-738C	HHCS 5/16-18X1 GR5 YELLOW DIE		
8.	803-068C	NUT HEX FLANGE 3/8-16 PLT	S/N 446518+	
9.	803-084C	NUT HEX NYLOCK 5/16-18 PLT		
10.	803-293C	NUT HEX FLNG T-LOCK 1/4-20 PLT		
11.	804-084C	WASHER FLAT 5/16 HARD ASTM436		
12.	804-201C	WASHER LOCK SPRING 5/16 YELLOW		
13.	816-422C	RUBBER STOP 2"OD 3/4THK WITH STUD		
14.	990-227R	FOAM RUBBER 3/16X3/4 THK W/PSA	Sold Per Foot (47" Required)	

Panels and Shields, ST (S/N 460319-)

Applies to 4200ST, 4400ST



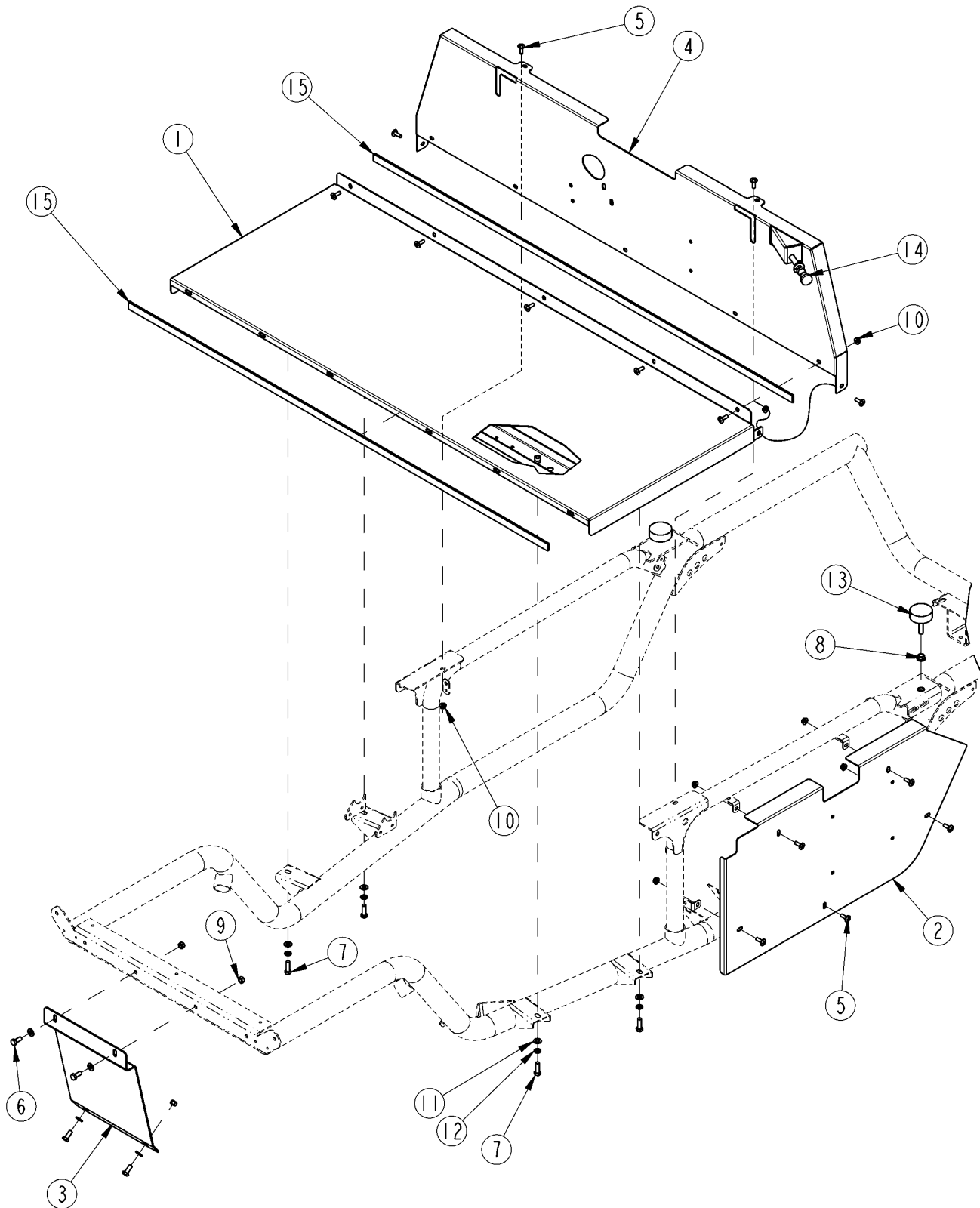
21217

Panels and Shields, ST (S/N 460319-)**Applies to 4200ST, 4400ST**

Ref	Part No.	Part Description	Comments	Revision
	dwg21217	Drawing Image Number		
1.	700-141S	FLOOR ST W/NUT ZERTS ASSEMBLY		
2.	700-113H	FIREWALL W/MENT WIDE		
3.	700-151A	SERV - ST SIDE PANEL W/DECAL		
4.	700-197D	FRONT FRAME GUARD ST		
5.	801-180C	TPHMS Y 1/4-20X3/4 YELLOW DIE		
6.	802-735C	HHCS 5/16-18X3/4 GR5 YELLOW DI		
7.	802-738C	HHCS 5/16-18X1 GR5 YELLOW DIE		
8.	803-068C	NUT HEX FLANGE 3/8-16 PLT	S/N 446518+	
9.	803-084C	NUT HEX NYLOCK 5/16-18 PLT		
10.	803-293C	NUT HEX FLNG T-LOCK 1/4-20 PLT		
11.	804-084C	WASHER FLAT 5/16 HARD ASTM436		
12.	804-201C	WASHER LOCK SPRING 5/16 YELLOW		
13.	816-422C	RUBBER STOP 2"OD 3/4THK WITH STUD		
14.	990-227R	FOAM RUBBER 3/16X3/4 THK W/PSA	Solid Per Foot (52.5" Required)	

Panels Shields & Choke Cable ST(S/N 460320+)

Applies to 4200ST, 4400ST



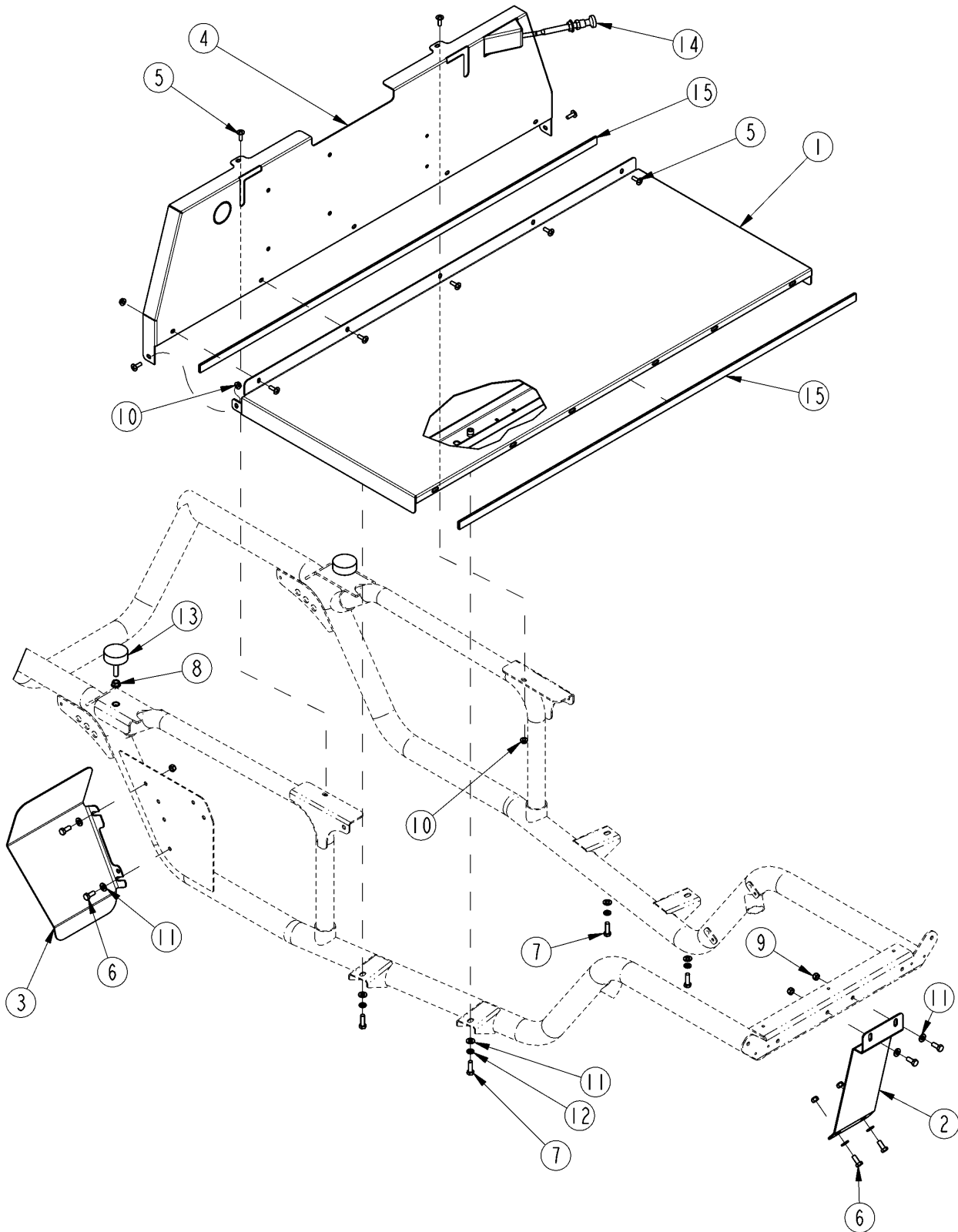
22413

Panels Sheilds & Choke Cable ST(S/N 460320+)**Applies to 4200ST, 4400ST**

Ref	Part No.	Part Description	Comments	Revision
	dwg22413	Drawing Image Number		
1.	700-047H	FLOOR WIDE WELDMNT		
2.	700-145D	SIDE PANEL, WIDE		
3.	700-197D	FRONT FRAME GUARD ST		
4.	700-236H	KICK PANEL WLDMNT (ST)		
5.	801-180C	TPHMS Y 1/4-20X3/4 YELLOW DIE		
6.	802-735C	HHCS 5/16-18X3/4 GR5 YELLOW DI		
7.	802-738C	HHCS 5/16-18X1 GR5 YELLOW DIE		
8.	803-068C	NUT HEX FLANGE 3/8-16 PLT		
9.	803-084C	NUT HEX NYLOCK 5/16-18 PLT		
10.	803-293C	NUT HEX FLNG T-LOCK 1/4-20 PLT		
11.	804-084C	WASHER FLAT 5/16 HARD ASTM436		
12.	804-201C	WASHER LOCK SPRING 5/16 YELLOW		
13.	816-422C	RUBBER STOP 2"OD 3/4THK W/STUD		
14.	840-241C	CHOKE CABLE 38 (ST)		
15.	990-227R	FOAM RUBBER 3/16X3/4 THK W/PSA		

Panels Shields & Choke Cable NT S/N (460320+)

Applies to 4200NT, 4400NT



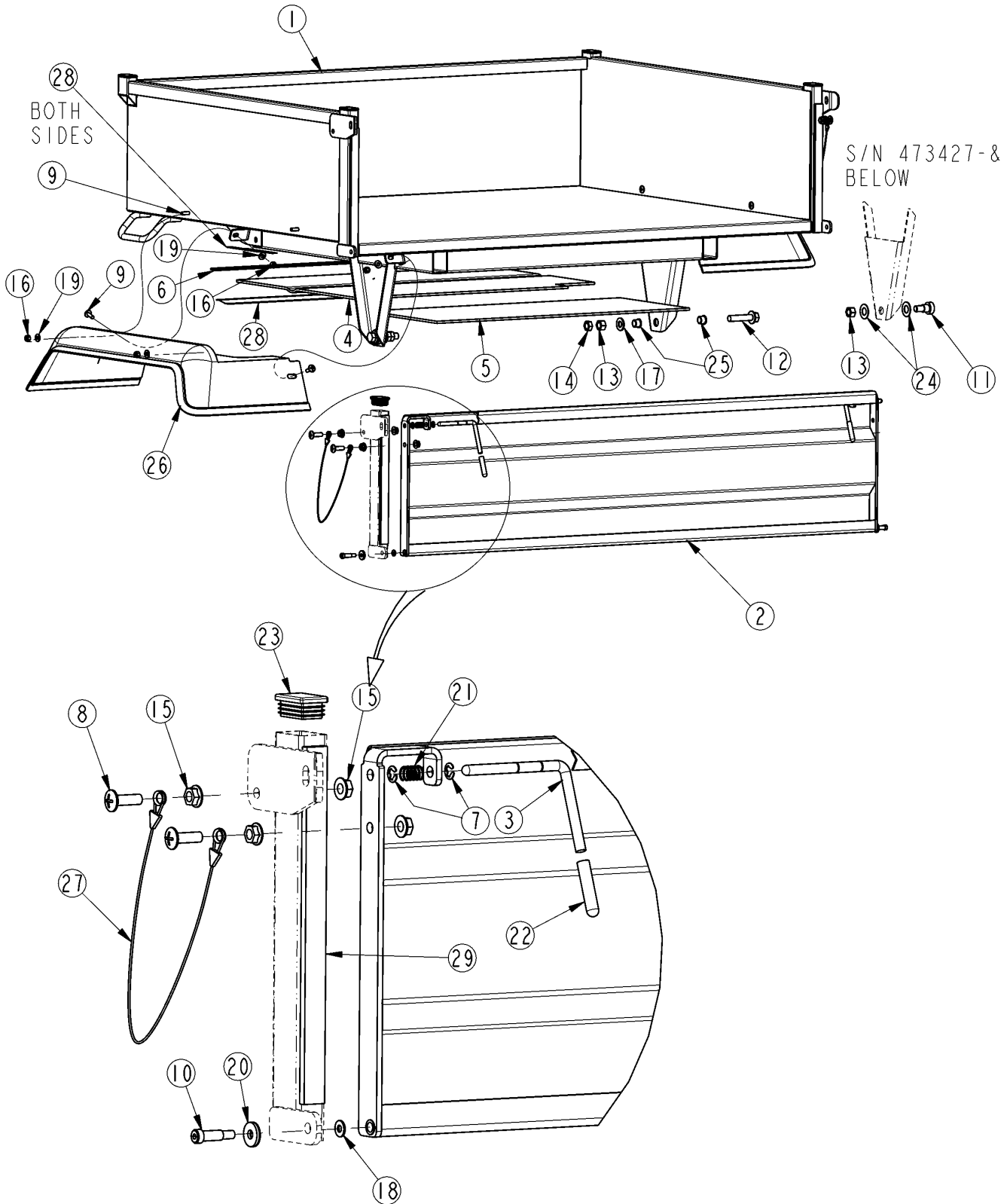
22412

Panels Shields & Choke Cable NT S/N (460320+)**Applies to 4200NT, 4400NT**

Ref	Part No.	Part Description	Comments	Revision
	dwg22412	Drawing Image Number		
1.	700-046H	FLOOR NARROW WELDMENT		
2.	700-196D	FRONT FRAME GUARD NT		
3.	700-202D	SPLASH GUARD NT		
4.	700-238A	SERV-NT FIREWALL W/DECAL		
5.	801-180C	TPHMS Y 1/4-20X3/4 YELLOW DIE		
6.	802-735C	HHCS 5/16-18X3/4 GR5 YELLOW DI		
7.	802-738C	HHCS 5/16-18X1 GR5 YELLOW DIE		
8.	803-068C	NUT HEX FLANGE 3/8-16 PLT		
9.	803-084C	NUT HEX NYLOCK 5/16-18 PLT		
10.	803-293C	NUT HEX FLNG T-LOCK 1/4-20 PLT		
11.	804-084C	WASHER FLAT 5/16 HARD ASTM436		
12.	804-201C	WASHER LOCK SPRING 5/16 YELLOW		
13.	816-422C	RUBBER STOP 2"OD 3/4THK W/STUD		
14.	840-261C	CHOKE CABLE 28 (NT)		
15.	990-227R	FOAM RUBBER 3/16X3/4 THK W/PSA		

Cargo Box Components

Applies to 4200NT, 4200ST, 4400NT, 4400ST



21252

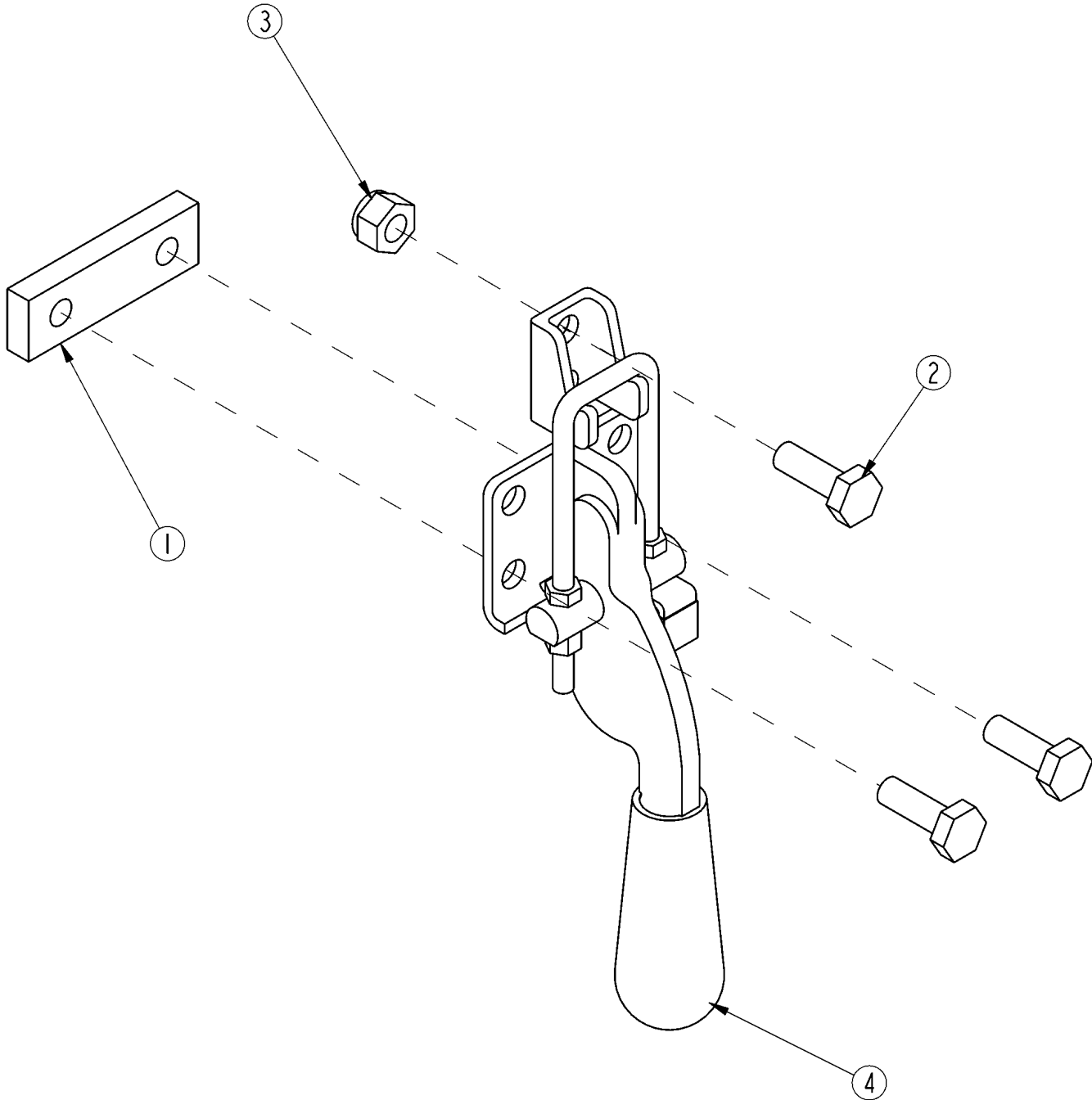
Cargo Box Components

Applies to 4200NT, 4200ST, 4400NT, 4400ST

Ref	Part No.	Part Description	Comments	Revision
	dwg21252	Drawing Image Number		
1.	700-154A	SERV - NT BOX-RED W/DECALS	Added Lift Handles S/N 440716	
1.	700-155A	SERV - NT BOX-GREEN W/DECALS		
1.	700-156A	SERV - NT BOX-YELLOW W/DECALS		
1.	700-157A	SERV - NT BOX-CAMO W/DECALS		
1.	700-158A	SERV - ST BOX-RED W/DECALS		
1.	700-159A	SERV - ST BOX-GREEN W/DECALS		
1.	700-160A	SERV - ST BOX-YELLOW W/DECALS		
1.	700-161A	SERV - ST BOX-CAMO W/DECALS		
2.	700-166A	SERV - NT 4X2 T-GATE-RED/DECAL	Added Lift Handles S/N 440716	
2.	700-167A	SERV - NT 4X2 T-GATE-GREEN/DCL		
2.	700-168A	SERV - NT 4X2 T-GATE YEL/DECAL		
2.	700-169A	SERV - NT 4X2 T-GATE CAMO/DCL		
2.	700-174A	SERV - NT 4X4 T-GATE RED/DECAL		
2.	700-175A	SERV - NT 4X4 T-GATE GREEN/DCL		
2.	700-176A	SERV - NT 4X4 T-GATE YELLW/DCL		
2.	700-177A	SERV - NT 4X4 T-GATE CAMO/DCL		
2.	700-182A	SERV - ST 4X2 T-GATE RED/DECAL		
2.	700-183A	SERV - ST 4X2 T-GATE GREEN/DCL		
2.	700-184A	SERV - ST 4X2 T-GATE YELLW/DCL		
2.	700-185A	SERV - ST 4X2 T-GATE CAMO/DCL		
2.	700-190A	SERV - ST 4X4 T-GATE RED/DECAL		
2.	700-191A	SERV - ST 4X4 T-GATE GREEN/DCL		
2.	700-192A	SERV - ST 4X4 T-GATE YELLW/DCL		
2.	700-193A	SERV - ST 4X4 T-GATE CAMO/DCL		
3.	700-165D	TAILGATE LATCH PIN		
4.	700-258D	NT FRONT HEAT SHEILD/BED INSUL	(S/N 416664+)	
4.	700-259D	ST FRONT HEAT SHEILD/BED INSUL	(S/N 416690+)	
5.	700-260D	NT REAR HEAT SHEILD/BED INSUL	(S/N 416664+)	
5.	700-261D	ST REAR HEAT SHEILD/BED INSUL	(S/N 416690+)	
6.	700-263D	ST STIFFENER/ANTI-VIBRATN BAR	(S/N 421318 to 440715)	
6.	700-262D	NT STIFFENER/ANTI-VIBRATN BAR	(S/N 421318 to 440715)	
7.	800-354C	E RETAINING RING 5/16 EXT.		
8.	801-176C	PAN HD 5/16-18 1LG PHILLPS PLT		
9.	801-180C	TPHMS Y 1/4-20X3/4 YELLOW DIE		
10.	802-746C	SHLD BLT 5/16X.75 1/4-20UNC SS	S/N 406208+	
10.	802-776C	RPBY 802-746C	S/N 406207-	
11.	802-753C	SHLD BLT 5/8X.50SHLD,1/2-13 SS		
12.	802-797C	HFS 1/2-13X2 1/4 GR5 PLT		
13.	803-019C	NUT LOCK 1/2-13 PLT		
14.	803-036C	NUT HEX JAM 1/2-13 PLT		
15.	803-043C	NUT HEX WHIZ 5/16-18 PLT		
16.	803-255C	NUT HEX NYLOCK 1/4-20		
17.	804-016C	WASHER FLAT 1/2 SAE PLT		
18.	804-046C	WASHER FLAT #10 SAE PLT		
19.	804-117C	WASHER FLAT 1/4 HARD ASTM436		
20.	804-135C	WASHER FLAT 5/16 NEOPRENE PLT		
21.	807-220C	SPRING TRUCK TAILGATE LATCH		
22.	816-423C	RUBBER SLEEVE TAILGATE LATCH		
23.	817-528C	CAP RECT TUBE 1X1.5X.083		
24.	817-543C	WASHER NYLATRON1.25ODX.63ID.04		
25.	817-559C	BUSHING 1/2IDX5/8ODX1/2 FLANGE		
26.	840-122C	FENDER BLACK UNIVERSAL TRUCK		
27.	840-126C	TRUCK TAILGATE CABLE		
28.	990-133R	2" FOILED ADHESIVE TAPE		
29.	990-235R	SPONGE RUBBER, 1/4X3/4 W/PSA	Rev. 2	
29.	990-227R	FOAM RUBBER 3/16X3/4 THK W/PSA	Rev. 1	

Cargo Box Tilt Lock-Down Latch

Applies to 4200NT, 4200ST, 4400NT, 4400ST



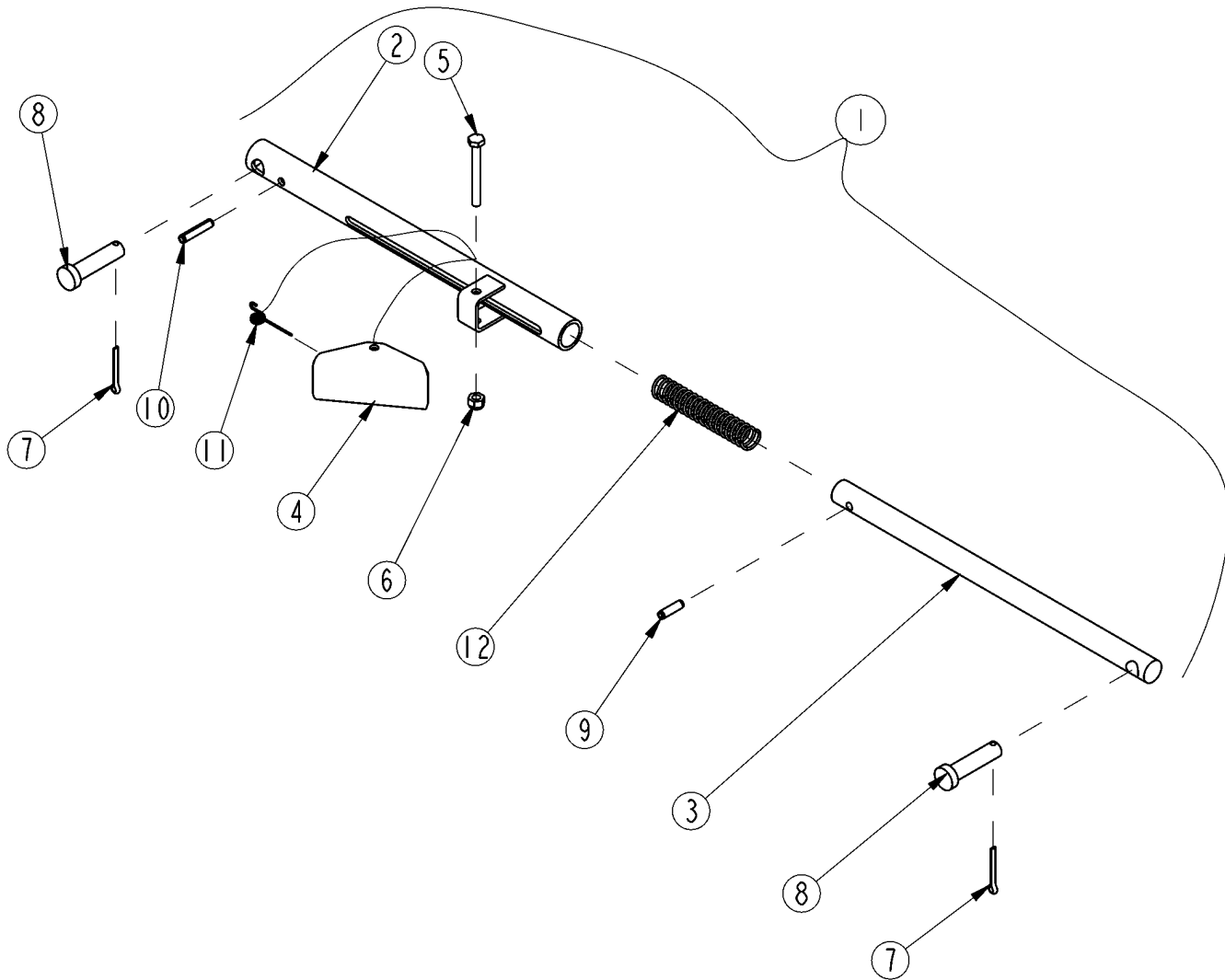
Cargo Box Tilt Lock-Down Latch

Applies to 4200NT, 4200ST, 4400NT, 4400ST

Ref	Part No.	Part Description	Comments	Revision
	dwg21271	Drawing Image Number		
1.	700-228D	BOX LATCH BACKING PLATE	Threaded	
2.	802-004C	HHCS 1/4-20 X 3/4 GR5		
3.	803-255C	NUT HEX NYLOCK 1/4-20		
4.	840-133C	BOX LATCH		

Cargo Box Tilt Lock-Up Arm

Applies to 4200NT, 4200ST, 4400NT, 4400ST



21273

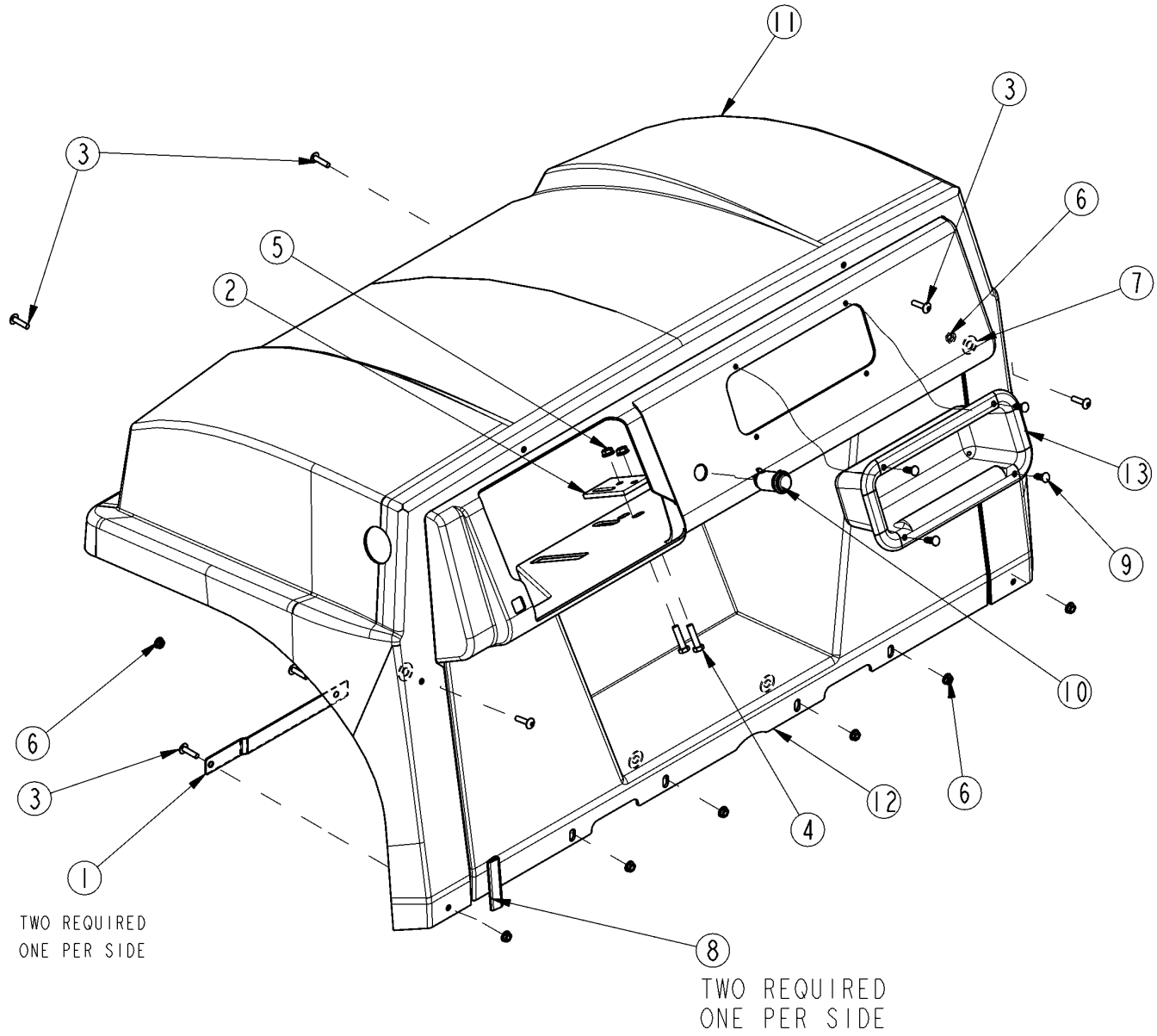
Cargo Box Tilt Lock-Up Arm

Applies to 4200NT, 4200ST, 4400NT, 4400ST

Ref	Part No.	Part Description	Comments	Revision
	dwg21273	Drawing Image Number		
1.	700-001S	BOX LATCH SUB-ASSY / NT		
1.	700-003S	BOX LATCH SUB-ASSY / ST		
2.	700-071H	BOX TILT LATCH NARROW	NT	
2.	700-115H	BOX TILT LATCH WIDE	ST	
3.	700-170D	BOX TILT BAR, NARROW	NT	
3.	700-171D	BOX TILT BAR, WIDE	ST	
4.	700-216D	BOX TILT BRACKET		
5.	802-551C	HHCS 1/4-20X2 1/4 GR5		
6.	803-255C	NUT HEX NYLOCK 1/4-20		
7.	805-045C	PIN COTTER 5/32 X 1 1/4 LG		
8.	805-303C	PIN CLEVIS 1/2X1 49/64 USABLE		
9.	805-353C	SPRING PIN 1/4 X 7/8		
10.	805-356C	SPRING PIN 1/4 X 1 1/4		
11.	807-221C	SPRING TORSION .054 WIRE		
12.	807-222C	SPRING COMPRESSION .72OD .072W 4.0LG		

Hood Components

Applies to 4200NT, 4200ST, 4400NT, 4400ST



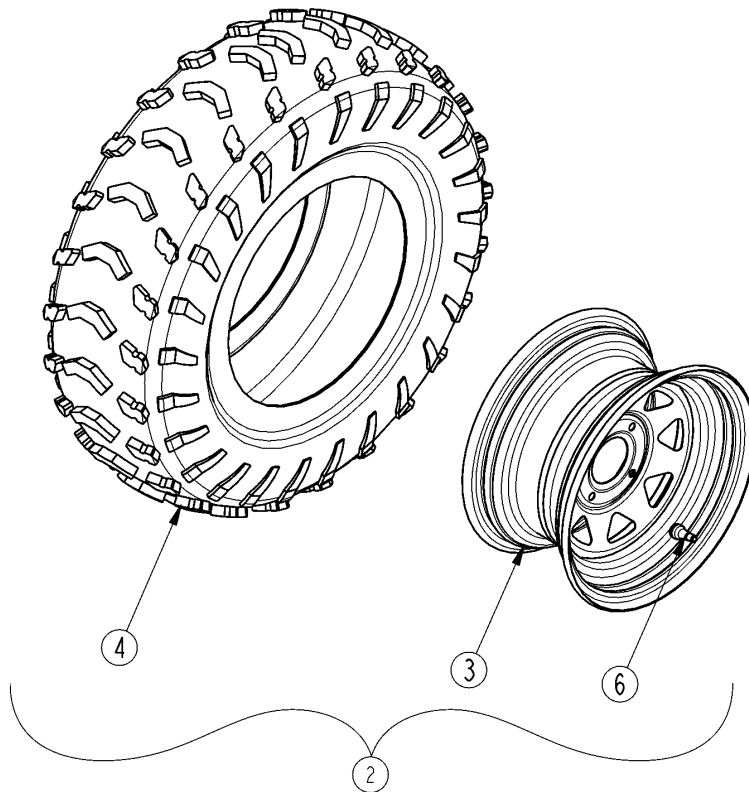
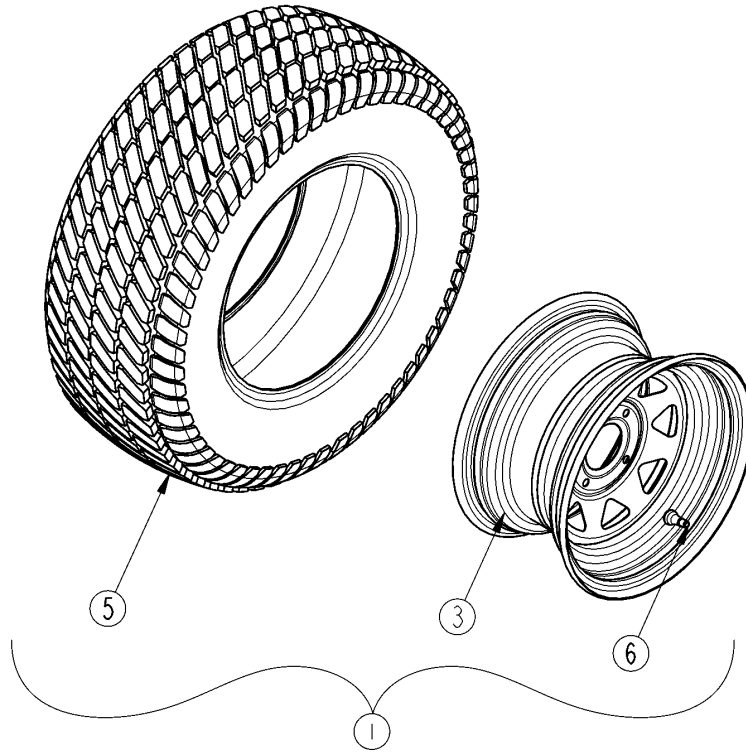
Hood Components

Applies to 4200NT, 4200ST, 4400NT, 4400ST

Ref	Part No.	Part Description	Comments	Revision
	dwg21257	Drawing Image Number		
1.	700-233D	BACKING PLATE FOR TRUCK BODY		
2.	700-254D	BODY MOUNT SPACER .25 THICK	4200NT & 4400NT (S/N 409701+)	
2.	700-255D	BODY MOUNT SPACER .375 THICK	4200ST & 4400ST (S/N 409701+)	
3.	801-181C	TPHMS Y 1/4-20X1 YELLOW DIE		
4.	802-010C	HHCS 5/16-18X1 1/4 GR5		
5.	803-177C	NUT HEX LOCK 5/16-18 FLG.		
6.	803-293C	NUT HEX FLNG T-LOCK 1/4-20 PLT		
7.	804-011C	WASHER FLAT 3/8 USS PLT		
8.	816-318C	TRIM, 1/8 RUBBER EDGE(PER FT)	SOLD PER FOOT (14.25" REQ'D.)	
9.	817-527C	TREE RIVET		
10.	833-322C	POWER PLUG OUTLET 12V		
11.	700-162A	SERV - NT 4X2 BODY-RED W/DECAL		
11.	700-163A	SERV - NT 4X2 BODY-GREEN/DECAL		
11.	700-164A	SERV - NT 4X2 BODY-YELLOW/DCL		
11.	700-165A	SERV - NT 4X2 BODY-CAMO/DECALS		
11.	700-170A	SERV - NT 4X4 BODY-RED W/DECAL		
11.	700-171A	SERV - NT 4X4 BODY-GREEN/DECAL		
11.	700-172A	SERV - NT 4X4 BODY-YELLOW/DCL		
11.	700-173A	SERV - NT 4X4 BODY-CAMO/DECALS		
11.	700-178A	SERV - ST 4X2 BODY-RED W/DECAL		
11.	700-179A	SERV - ST 4X2 BODY-GREEN/DECAL		
11.	700-180A	SERV - ST 4X2 BODY-YELLOW/DCL		
11.	700-181A	SERV - ST 4X2 BODY-CAMO/DECALS		
11.	700-186A	SERV - ST 4X4 BODY-RED W/DECAL		
11.	700-187A	SERV - ST 4X4 BODY-GREEN/DECAL		
11.	700-188A	SERV - ST 4X4 BODY-YELLOW/DCL		
11.	700-189A	SERV - ST 4X4 BODY-CAMO/DECALS		
12.	700-152A	SERV - NT FOOTWELL W/DECALS		
12.	700-153A	SERV - ST FOOTWELL W/DECALS		
13.	840-106C	STORAGE BOX FOR VEHICLES		

Front Tires

Applies to 4200NT, 4200ST, 4400NT, 4400ST



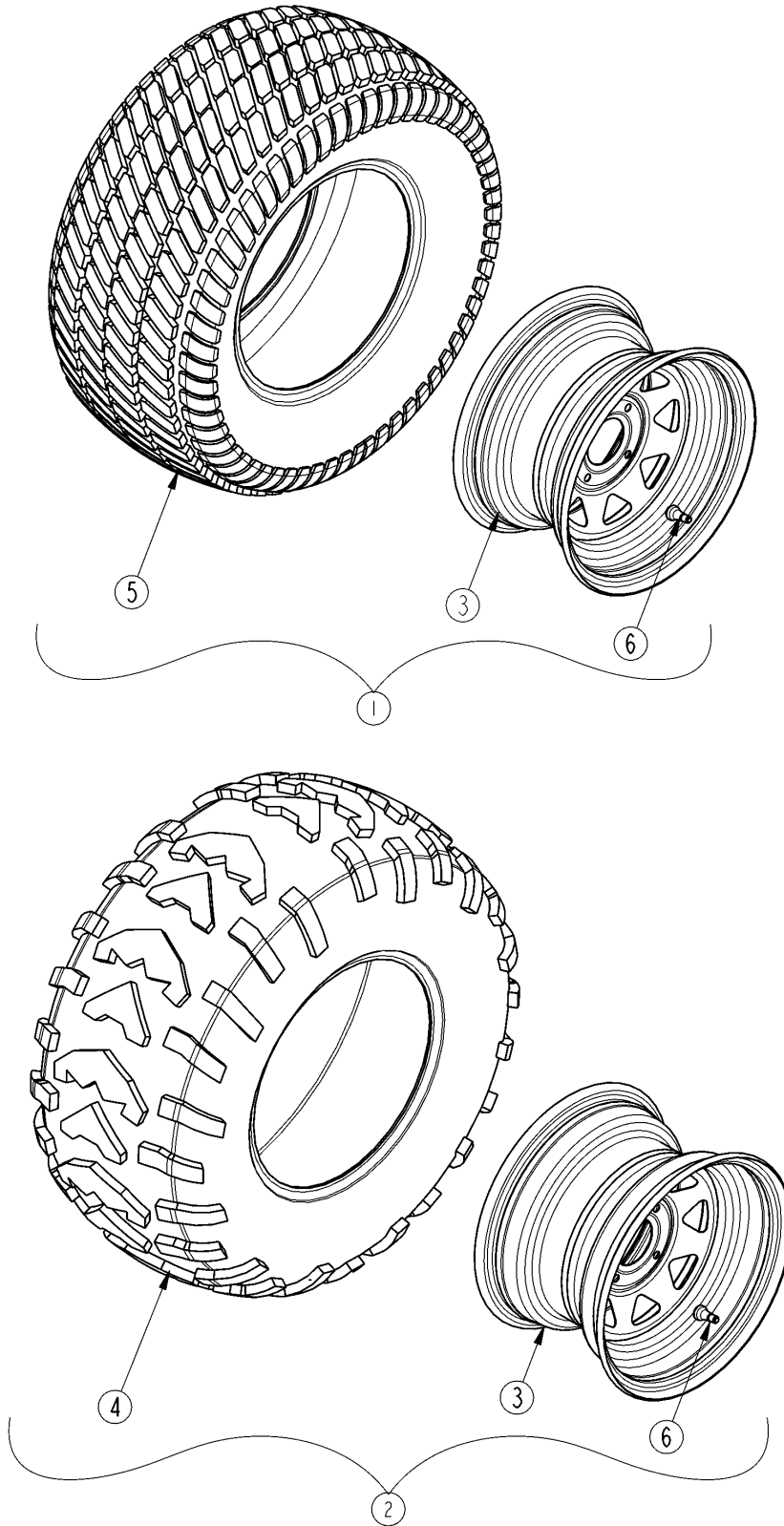
21315

Front Tires**Applies to 4200NT, 4200ST, 4400NT, 4400ST**

Ref	Part No.	Part Description	Comments	Revision
	dwg21315	Drawing Image Number		
1.	700-038S	TIRE/RIM FRONT TURF 23-8.5-12		
2.	710-019S	AT TIRE/RIM, GRAY RIGHT FRONT		
2.	700-386S	AT TIRE/RIM, BLACK RIGHT FRONT		
2.	710-036S	AT TIRE/RIM, GRAY LEFT FRONT		
2.	700-388S	AT TIRE/RIM, BLACK LEFT FRONT		
3.	814-214C	RIM, 12X7 4-4 BOLT GRAY		
3.	814-290C	RIM, 12X7 4-4 BOLT BLACK		
4.	814-216C	TIRE 25 X 8 X 12 AT489		
5.	814-242C	TIRE TURF 23-8.5-12		
6.	816-035C	VALVE STEM TR415 X. 625 X 1 1/4 LG		

Rear Tires

Applies to 4200NT, 4200ST, 4400NT, 4400ST



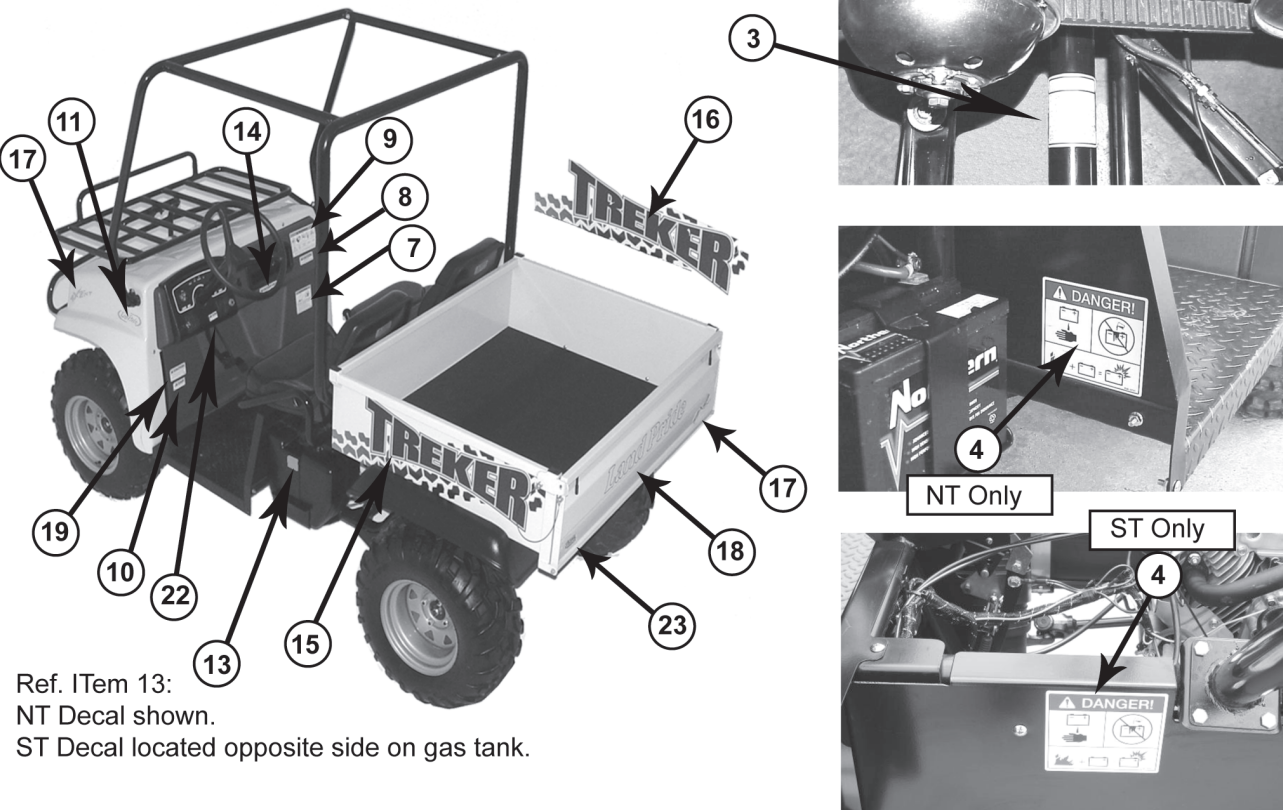
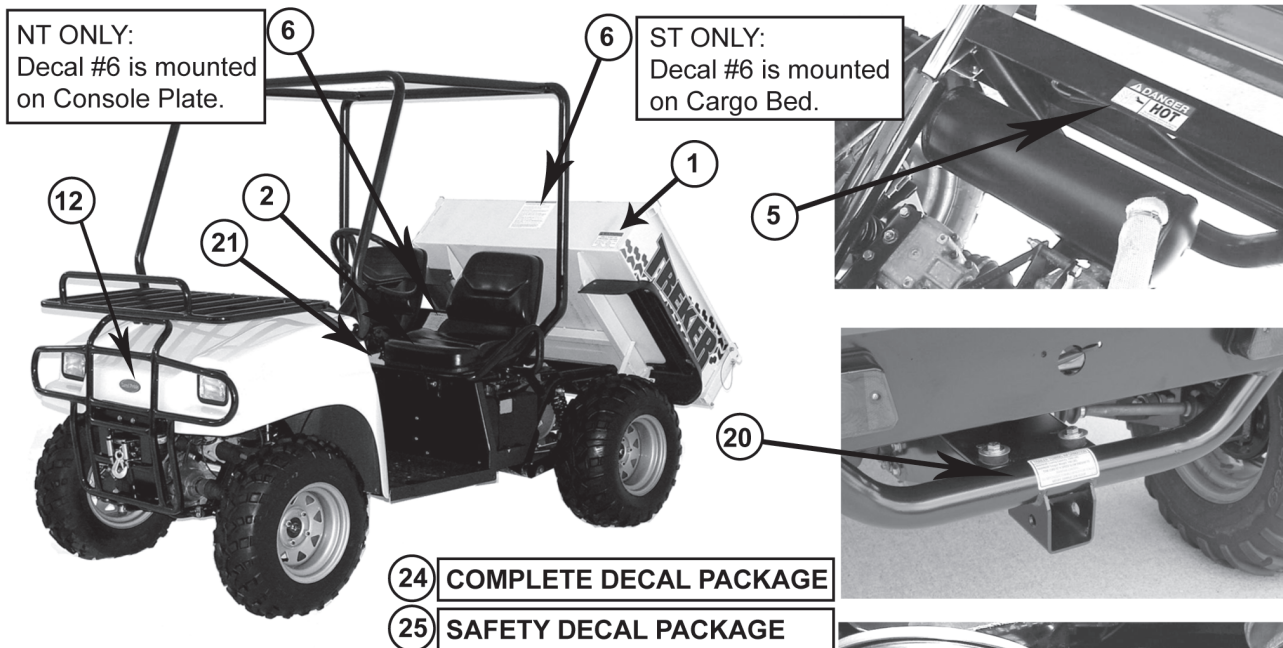
21314

Rear Tires**Applies to 4200NT, 4200ST, 4400NT, 4400ST**

Ref	Part No.	Part Description	Comments	Revision
	dwg21314	Drawing Image Number		
1.	700-037S	TIRE/RIM REAR TURF 23-10.5-12		
2.	710-018S	AT TIRE/RIM, GRAY RIGHT REAR		
2.	700-385S	AT TIRE/RIM BLACK RIGHT REAR		
2.	710-035S	AT TIRE/RIM, GRAY LEFT REAR		
2.	700-387S	AT TIRE/RIM BLACK LEFT REAR		
3.	814-215C	RIM 12X8.5 4-4 BOLT GRAY		
3.	814-289C	RIM 12X8.5 4-4 BOLT BLACK		
4.	814-217C	TIRE 25 X 11 X 12 AT489		
5.	814-241C	TIRE TURF 23-10.5-12		
6.	816-035C	VALVE STEM TR415 X. 625 X 1 1/4 LG		

Decals

Applies to 4200NT, 4200ST, 4400NT, 4400ST

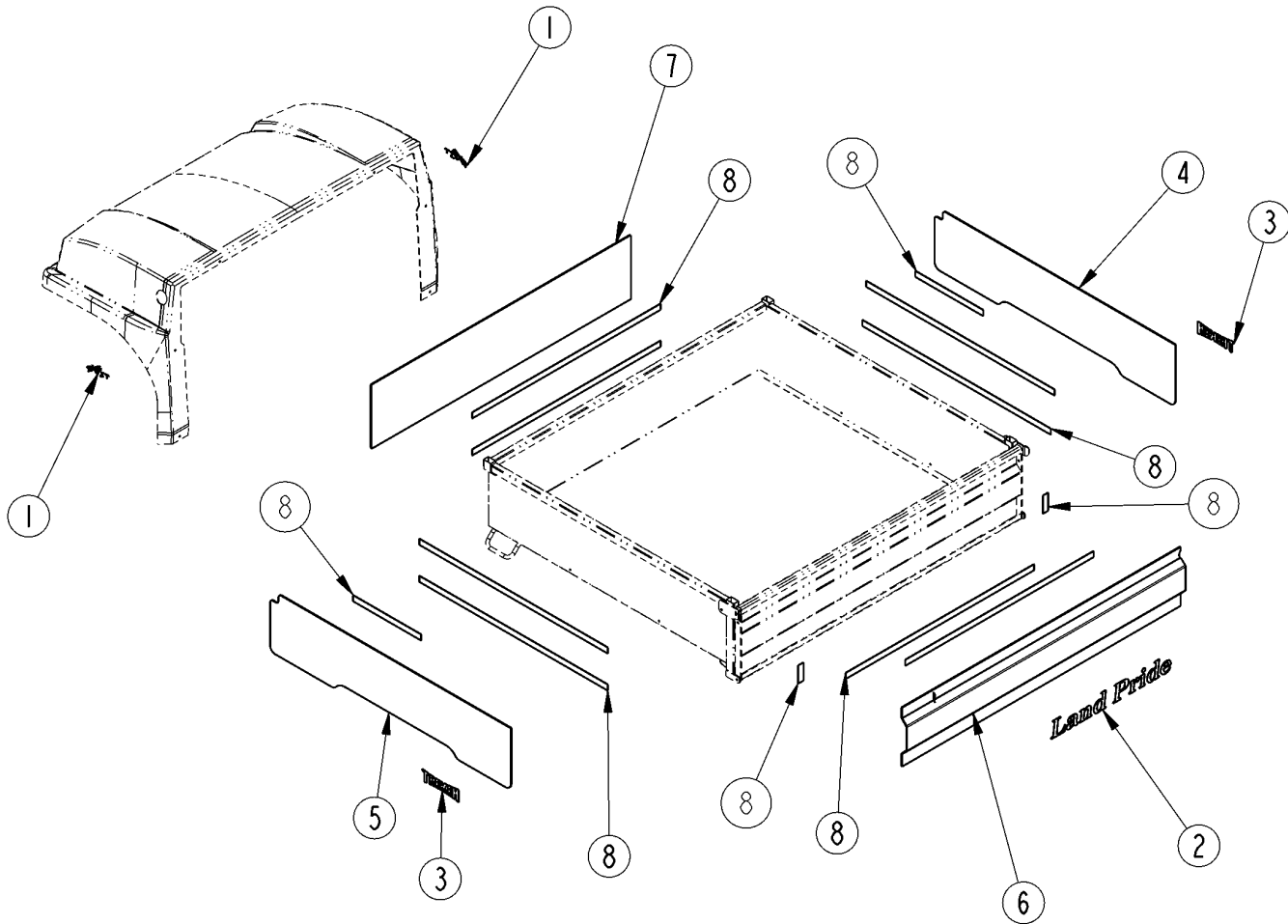


Decals**Applies to 4200NT, 4200ST, 4400NT, 4400ST**

Ref	Part No.	Part Description	Comments	Revision
	dwg21147	Drawing Image Number		
1.	818-045C	DECAL WARNING PINCH POINT/CRUSH		
2.	818-190C	DECAL FLAG		
3.	818-543C	DECAL DANGER GUARD MISSING		
4.	838-303C	DECAL DANGER BATTERY		
5.	838-444C	DECAL DANGER HOT		
6.	838-486C	DECAL WARNING GENERAL UTILITY VEHICLE		
7.	838-489C	DECAL WARNING ROLLOVER HAZARD		
8.	838-490C	DECAL CAUTION STOP ENGINE		
9.	838-491C	DECAL WARNING IMPROPER USE		
10.	838-492C	DECAL CAUTION POWER SOURCE MAX 12V		
11.	838-644C	DECAL LAND PRIDE GOLD 6.42X1.3	S/N 421309+	
11.	838-495C	DECAL HONDA	S/N 421308-	
12.	838-507C	DECAL LP FRONT EMBLEM		
13.	838-508C	DECAL WARNING ENGINE COOL B4 GAS		
14.	838-532C	DECAL WARNING VEHICLE ROLLOVER		
15.	838-542C	DECAL TREKER LOGO LH BLACK		
16.	838-543C	DECAL TREKER LOGO RH BLACK		
17.	838-544C	DECAL 4X2NT BLACK	4200NT RED, YELLOW & CAMO VEHICLES	
17.	838-545C	DECAL 4X2NT SANDSTONE	4200NT GREEN VEHICLES	
17.	838-546C	DECAL 4X2ST BLACK	4200ST RED, YELLOW & CAMO VEHICLES	
17.	838-547C	DECAL 4X2ST SANDSTONE	4200ST GREEN VEHICLES	
17.	838-548C	DECAL 4X4NT BLACK	4400NT RED, YELLOW & CAMO VEHICLES	
17.	838-549C	DECAL 4X4NT SANDSTONE	4400NT GREEN VEHICLES	
17.	838-550C	DECAL 4X4ST BLACK	4400ST RED, YELLOW & CAMO VEHICLES	
17.	838-551C	DECAL 4X4ST SANDSTONE	4400ST GREEN VEHICLES	
18.	838-554C	DECAL LAND PRIDE BLCK W/SNDSTN		
18.	838-552C	RPBY 838-554C	RED & YELLOW (S/N 421308-)	
19.	838-581C	DECAL WARNING (GVW)LOAD 4200NT		
19.	838-662C	DECAL WARNING (GVW)LOAD 4400NT		
19.	838-570C	DECAL WARNING (GVW)LOAD 4200ST		
19.	838-663C	DECAL WARNING (GVW)LOAD 4400ST		
20.	838-579C	DECAL TRAILER TOWING NT/ST		
21.	838-596C	DECAL, CONSOLE TRUCK		
22.	838-668C	DECAL SETTING OF PARK BRAKE	S/N 429643+	
23.	838-495C	DECAL HONDA	S/N 421309+	
24.	700-194A	4X2NT DECAL PACKAGE RED/YELLOW	Complete Decal Packages	
24.	700-195A	4X2NT DECAL PACKAGE GREEN/CAMO	Complete Decal Packages	
24.	700-196A	4X2ST DECAL PACKAGE RED/YELLOW	Complete Decal Packages	
24.	700-197A	4X2ST DECAL PACKAGE GREEN/CAMO	Complete Decal Packages	
24.	700-198A	4X4NT DECAL PACKAGE RED/YELLOW	Complete Decal Packages	
24.	700-199A	4X4NT DECAL PACKAGE GREEN/CAMO	Complete Decal Packages	
24.	700-200A	4X4ST DECAL PACKAGE RED/YELLOW	Complete Decal Packages	
24.	700-201A	4X4ST DECAL PACKAGE GREEN/CAMO	Complete Decal Packages	
24.	700-220A	4X2NT DECAL PACKAGE CAMO	Complete Decal Packages	
24.	700-221A	4X2ST DECAL PACKAGE CAMO	Complete Decal Packages	
24.	700-222A	4X4NT DECAL PACKAGE CAMO	Complete Decal Packages	
24.	700-223A	4X4ST DECAL PACKAGE CAMO	Complete Decal Packages	
25.	700-142A	SAFETY DECAL PACKAGE 4200NT	Safety Decal Packages	
25.	700-143A	SAFETY DECAL PACKAGE 4200ST	Safety Decal Packages	
25.	700-212A	SAFETY DECAL PACKAGE 4400NT	Safety Decal Packages	
25.	700-213A	SAFETY DECAL PACKAGE 4400ST	Safety Decal Packages	

NT ST Camo and Decal Components

Applies to 4200NT, 4200ST, 4400NT, 4400ST



22226

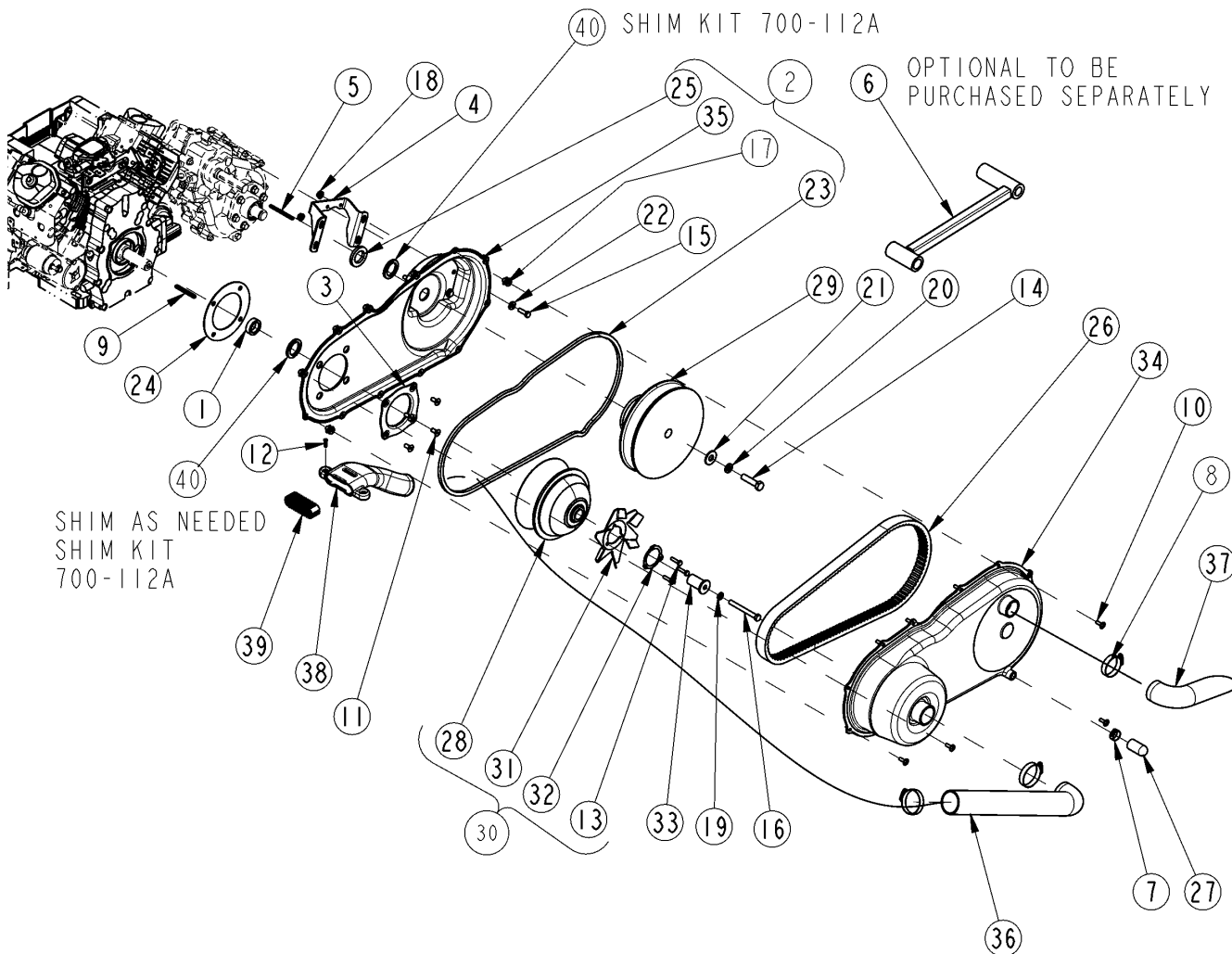
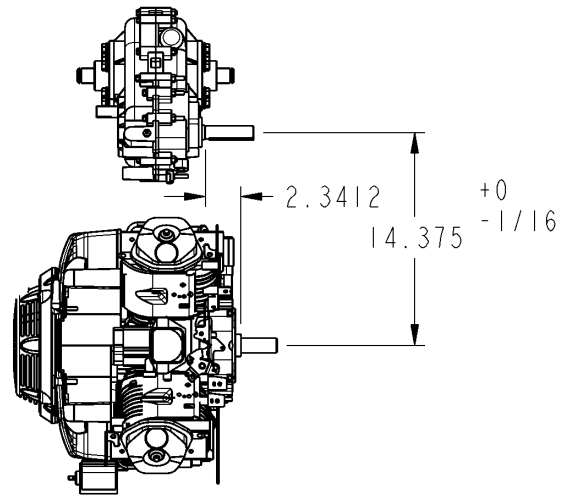
NT ST Camo and Decal Components**Applies to 4200NT, 4200ST, 4400NT, 4400ST**

Ref	Part No.	Part Description	Comments	Revision
	dwg22226	Drawing Image Number		
1.	838-550C	DECAL 4X4ST BLACK		
1.	838-548C	DECAL 4X4NT BLACK		
2.	838-554C	DECAL LAND PRIDE BLCK W/SNDSTN		
3.	838-704C	DECAL, TREKER LOGO 71N. LG		
4.	840-203C	TREKER ST CAMO RH SIDE PANEL		
4.	840-207C	TREKER NT CAMO RH SIDE PANEL		
5.	840-204C	TREKER ST CAMO LH SIDE PANEL		
5.	840-208C	TREKER NT CAMO LH SIDE PANEL		
6.	840-205C	TREKER ST CAMO TAILGATE PANEL		
6.	840-206C	TREKER NT CAMO TAILGATE PANEL		
7.	840-216C	TREKER ST CAMO FRONT PANEL BED		
7.	840-217C	TREKER NT CAMO FRONT PANEL BED		
8.	990-132R	3M DOUBLE SIDED TAPE 1X.035	Front: ST 49.5" & NT 43.5", Rear ST 53.25" & NT 47.25", Sides ST 46" & NT 34", Rear Short ST & NT 3", Sides Short ST & NT 8"	

CVT Enclosure Kit

Applies to 4200NT, 4200ST, 4400NT, 4400ST

FOR CORRECT PULLEY ALIGNMENT
SHIM SHOULD OF TRANS-AXLE SHAFT
TO ENGINE SPACER COLLAR WITH AN
OFFSET DIMENSION OF 2.3412".
USE SHIM KIT #700-112A.

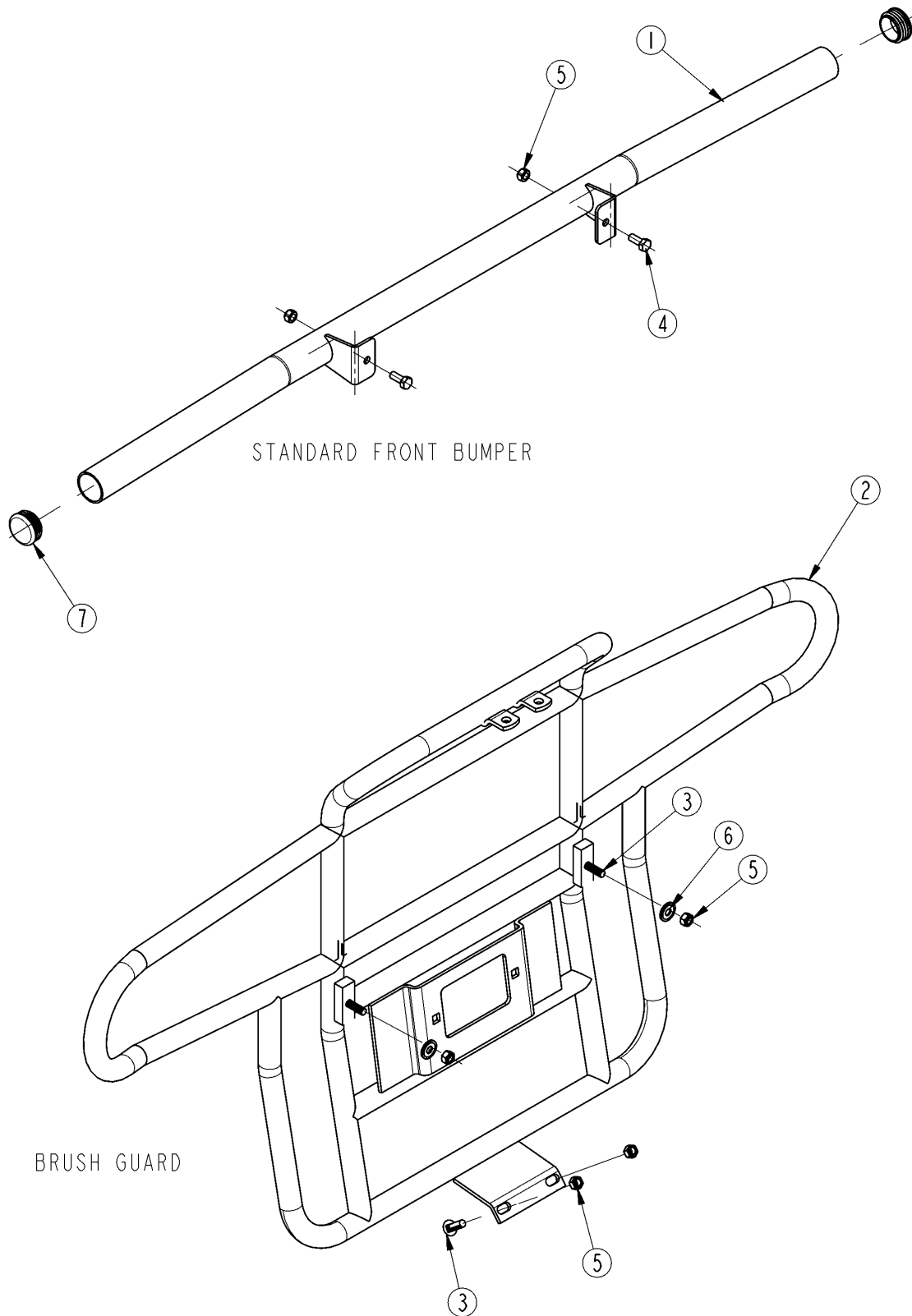


CVT Enclosure Kit**Applies to 4200NT, 4200ST, 4400NT, 4400ST**

Ref	Part No.	Part Description	Comments	Revision
	dwg23821	Drawing Image Number		
1.	700-215D	CVT SPACER		
2.	700-228S	ASSEMBLY, CVT INNER COVER		
3.	700-285D	PLATE, ENGINE SEAL		
4.	700-286D	BRACKET, CVT COVER TO TRANS.		
5.	710-097D	KEY 3/16 X 3		
6.	790-001A	TREKER ENGINE/TRANS ALIGNMENT	Optional	
7.	800-235C	SPRING CLAMP 1" OD HOSE		
8.	800-259C	CLAMP WRM DRV#36SS (1.81-2.75)		
9.	800-350C	KEY .187 X .247 X 2.5 LG		
10.	801-180C	TPHMS Y 1/4-20X3/4 YELLOW DIE		
11.	801-197C	HSFHCS 5/16-24 X 3/4, BLK		
12.	801-199C	SCR SELF TAP #10 X 3/4		
13.	802-005C	HHCS 1/4-20X1 GR5		
14.	802-320C	HHCS 1/2-20X2 GR5		
15.	802-738C	HHCS 5/16-18X1 GR5 YELLOW DIE		
16.	802-770C	HHCS 3/8-24X3 1/2 GR5 PLT		
17.	N/A	INSERT, 1/4-20 ARS4-420-280	Included with Ref. #2	
18.	803-177C	NUT HEX FLG TOP LK 5/16-18 YLW		
19.	804-013C	WASHER LOCK SPRING 3/8 PLT		
20.	804-015C	WASHER LOCK SPRING 1/2 PLT		
21.	804-017C	WASHER FLAT 1/2 USS PLT		
22.	804-135C	WASHER FLAT 5/16 NEOPRENE PLT		
23.	816-469C	SEAL, MAIN TRUCK CVT HOUSING		
24.	816-470C	SEAL, CVT TO ENGINE		
25.	816-471C	SEAL, CVT TO TRANSAXLE		
26.	816-512C	BELT, TRUCK CVT		
27.	817-621C	CAP, DRAIN 7/8 OD PORT		
28.	826-444C	CVT DRIVER		
29.	826-445C	CVT DRIVEN TRUCK 9 1/2"OD		
30.	826-474C	CVT, 780 DVR WITH FAN		
31.	826-475C	CVT COOLING FAN		
32.	826-483C	RING, LOCKING TAB		
33.	840-135C	ADAPTER CVT DRIVEN		
34.	840-218C	COVER, TRUCK SEALED CVT OUTER		
35.	N/A	COVER, TRUCK SEALED CVT INNER	Included with Ref. #2	
36.	840-239C	DUCT, TRUCK CVT AIR INLET	ST Unit	
36.	840-267C	DUCT, NT TRUCK CVT AIR INLET	NT Unit	
37.	840-240C	DUCT, TRUCK CVT AIR OUTLET		
38.	840-266C	SNORKEL AIR INTAKE		
39.	840-268C	FILTER, AIR INTAKE		
40.	700-112A	CVT SHIM KIT		
		*		
	701-095A	ENCLOSURE, CVT ST 440720+		
	701-096A	ENCLOSURE, CVT NT 440720+		
	701-104A	ENCLOSURE, CVT NT 437154-440719		
	701-105A	ENCLOSURE, CVT ST 437154-440719		
	701-106A	ENCLOSURE, CVT NT 437153-		
	701-107A	ENCLOSURE, CVT ST 437153-		

Front Bumpers

Applies to 4200NT, 4200ST, 4400NT, 4400ST



21312

Front Bumpers

Applies to 4200NT, 4200ST, 4400NT, 4400ST

Ref	Part No.	Part Description	Comments	Revision
	dwg21312	Drawing Image Number		
1.	700-105H	FRONT BUMPER NARROW		
1.	700-106H	FRONT BUMPER WIDE		
2.	701-037A	BRUSH GUARD ST		
2.	701-038A	BRUSH GUARD NT		
3.	802-282C	RHSNB 5/16-18X1 GR5		
4.	802-735C	HHCS 5/16-18X3/4 GR5 YELLOW DI		
5.	803-084C	NUT HEX NYLOCK 5/16-18 PLT		
6.	804-036C	WASHER FLAT 5/16 SAE PLT		
7.	817-538C	PLUG PLASTIC(1.5OD .083-.035WL		



Part Number Index

The Part Number Index is a numeric index of all part numbers included in this manual. The index shows what page(s) the part is used on.

Part Number	Page	Part Number	Page	Part Number	Page	Part Number	Page
0-332-209-150	77, 79	43142100	27	700-117S	9	700-191A	109
012CH289	55	47002300	27	700-118S	9	700-192A	109
012CH291-1X	55	5048	49, 53	700-119H	9	700-193A	109
012CH291-2X	55	5051	49, 53	700-122S	11	700-194A	121
012DA111-X	55	514A7	55	700-123S	11	700-194D	67
012DA117-X	55	515A8	55	700-126H	33	700-195A	121
012DA120X	55	5803	55	700-127H	29	700-195D	65
012GS202-X	55	585965	55	700-128S	29	700-196A	121
012GS204-X	55	585971	55	700-129D	29	700-196D	101, 107
012GS207-X	55	585994	55	700-129S	33	700-197A	121
012GS215	55	620250	25	700-131A	17	700-197D	103, 105
012GS216	55	6203-01-166	45	700-134D	59	700-198A	121
012GS302	55	6203-12-064-B	45	700-135D	51, 53	700-198D	65
012GS307	55	6203-12-100	45	700-138D	7, 9, 11	700-199A	121
012GS337	55	6203-13-124-D	45	700-139D	7, 9, 11	700-200A	121
012GV164-X	55	6203-13-165	45	700-140S	101	700-201A	121
012HD111	55	6203-20-072	45	700-141S	103	700-202D	101, 107
012HD129	55	6203-26-020-A	45	700-142A	121	700-206D	29
012HG145	55	6203-27-017-B	45	700-143A	121	700-207S	43
012HH122	55	6203-29-010-0	45	700-144A	15	700-208S	43
012HH128	55	6203-35-024-0	45	700-145A	15	700-211D	85, 87, 89, 91,
012HH137	55	6203-47-024-B	45	700-145D	105		93, 95
012HH140	55	6203-56-001-0	45	700-146A	75	700-212A	121
012HM110-1	55	6203-59-032-B	45	700-148A	99	700-212D	19
012HM129	55	6203-93-001-0	45	700-149A	99	700-213A	121
012HN120	55	6203-95-001-0	45	700-150A	101	700-213D	73
012HN138	55	700-001S	113	700-151A	103	700-214D	75
012HN140	55	700-003S	113	700-152A	115	700-215D	41, 125
012HP120	55	700-004D	7, 9, 11	700-153A	115	700-216D	113
012HR121	55	700-004H	21	700-154A	109	700-219D	35
012HR128	55	700-005H	21	700-155A	109	700-219H	39
012HS120	55	700-016D	59	700-156A	109	700-220A	121
012HS121	55	700-017D	73	700-157A	109	700-221A	121
012HS125	55	700-018D	21	700-158A	109	700-222A	121
012HS126	55	700-021H	37	700-159A	109	700-223A	121
012LK133	55	700-036D	97	700-160A	109	700-227D	71
012LK134	55	700-037S	119	700-161A	109	700-228D	111
012SR129	55	700-038S	117	700-162A	115	700-228S	125
012SV112-X	55	700-042H	99	700-163A	115	700-233D	115
012SV118-X	55	700-043H	99	700-164A	115	700-236H	105
012TA327-X	55	700-045D	21	700-165A	115	700-238A	107
0180006	27	700-046H	107	700-165D	109	700-238D	37
026HM107	55	700-047H	105	700-166A	109	700-245K	43
0430-01-002-T	45	700-054H	17	700-167A	109	700-254D	29, 115
0518-03-009-T	45	700-055H	17	700-168A	109	700-255D	29, 115
0680002	27	700-056H	33	700-169A	109	700-256D	7, 35
0909001	27	700-057H	33	700-170A	115	700-256S	23
1-0170NPL	49, 59, 61	700-058H	29	700-170D	113	700-257D	7, 35
100050	25	700-059H	43	700-171A	115	700-257S	23
100301	63	700-060H	25, 27	700-171D	113	700-258D	109
103125	63	700-067H	97	700-172A	115	700-259D	109
109843	63	700-068H	97	700-173A	115	700-260D	109
11000	37	700-069H	97	700-174A	109	700-261D	109
11001	37	700-070H	97	700-175A	109	700-262D	109
1215-02-038-T	45	700-071D	43	700-175D	73	700-262H	23
1215-02-141-T	45	700-071H	113	700-176A	109	700-263D	109
1215-02-154-T	45	700-073D	51, 53	700-177A	109	700-263H	23
1242-00-009-T	45	700-074D	43	700-178A	115	700-273D	25
14083	25	700-075D	43	700-179A	115	700-274D	43
14094	25	700-076D	43	700-180A	115	700-281D	39
200300	63	700-078D	43	700-181A	115	700-285D	125
2003PR	63	700-099D	43	700-182A	109	700-286D	125
2003VB	63	700-105H	127	700-183A	109	700-341S	33
20061	25, 27	700-106H	127	700-184A	109	700-342H	33
203293	63	700-110S	7	700-185A	109	700-356D	43
23035	25, 27	700-112A	41, 125	700-186A	115	700-368S	73
244610	63	700-113H	103	700-187A	115	700-371H	23
244643	63	700-114H	7	700-188A	115	700-374D	23
356-074D	99	700-115H	113	700-189A	115	700-385S	119
41356	55	700-116S	7	700-190A	109	700-386S	117

Table of Contents Part Number Index



Part Number Index (continued)

Part Number	Page	Part Number	Page	Part Number	Page	Part Number	Page
700-387S	119	802-314C	41	803-340C	7, 25	815-196C	33
700-388S	117	802-320C	41, 125	803-341C	9, 11, 13	815-210C	33
700-408D	61	802-387C	25, 27	804-005C	53	815-211C	37
700-422H	23	802-486C	13	804-011C	11, 13, 39, 43,	816-035C	117, 119
700-447D	61	802-551C	51, 113		49, 59, 87, 91,	816-318C	115
700-448D	61	802-589C	35		115	816-413C	41
700-456D	79	802-609C	11, 13	804-013C	39, 41, 49, 59,	816-421C	65, 67
700-466D	49	802-628C	25, 27		61, 125	816-422C	101, 103, 105,
700-500A	17	802-714C	25, 27	804-015C	125		107
700-517D	69	802-731C	37	804-016C	109	816-423C	109
701-037A	127	802-735C	29, 37, 59, 61,	804-017C	41, 125	816-425C	99
701-038A	127		69, 71, 97, 99,	804-036C	79, 127	816-464C	41
701-095A	125		101, 103, 105,	804-046C	109	816-469C	125
701-096A	125		107, 127	804-084C	25, 27, 41, 59,	816-470C	125
701-104A	125	802-738C	33, 61, 65, 67,		61, 65, 67, 69,	816-471C	125
701-105A	125		99, 101, 103,		71, 99, 101, 103,	816-496C	99
701-106A	125		105, 107, 125		105, 107	816-512C	125
701-107A	125	802-740C	37	804-117C	109	816-522C	65
701-193A	17	802-746C	109	804-135C	109, 125	816-523C	67
710-018S	119	802-747C	99	804-157C	37	816-524C	65
710-019S	117	802-750C	59	804-162C	11, 13	817-517C	23
710-035S	119	802-751C	19	804-201C	41, 59, 61, 79,	817-525C	25, 27
710-036S	117	802-752C	65, 67		99, 101, 103,	817-526C	33
710-069D	37	802-753C	109		105, 107	817-527C	87, 91, 93, 95,
710-093D	77	802-758C	39, 59, 61	805-045C	113		115
710-094D	21	802-760C	25, 27	805-063C	9, 11, 13, 27, 33,	817-528C	109
710-097D	41, 125	802-764C	51, 53		37	817-538C	127
790-001A	41, 125	802-765C	41	805-066C	33, 37	817-540C	29
800-007C	73, 75	802-769C	51, 53	805-303C	113	817-543C	109
800-235C	125	802-770C	41, 125	805-336C	37	817-559C	109
800-236C	93, 95	802-771C	17	805-342C	37	817-593C	75
800-259C	65, 67, 125	802-773C	37	805-353C	113	817-621C	125
800-296C	39, 59, 61	802-774C	59, 61	805-356C	113	818-045C	121
800-303C	49	802-776C	109	807-219C	69, 71	818-190C	121
800-347C	33, 37	802-793C	79	807-220C	109	818-543C	121
800-350C	41, 125	802-797C	109	807-221C	113	822-203C	39, 49
800-351C	37	803-005C	43	807-222C	113	826-395C	53, 55
800-353C	49	803-008C	79	807-227C	29	826-396C	59, 61
800-354C	109	803-019C	109	807-235C	51	826-398C	45, 49
800-355C	33	803-036C	109	814-214C	117	826-399C	25, 27
800-356C	33, 49, 73, 75	803-043C	109	814-215C	119	826-400C	25, 27
800-359C	7	803-068C	29, 101, 103,	814-216C	117	826-403C	49
800-360C	33		105, 107	814-217C	119	826-404C	53
800-363C	9	803-078C	17, 43, 49, 99	814-241C	119	826-405C	49
800-366C	59, 61	803-084C	25, 27, 33, 37,	814-242C	117	826-406C	53
801-151C	37		39, 49, 61, 65,	814-289C	119	826-413C	43
801-174C	21, 33, 37		97, 101, 103,	814-290C	117	826-415C	41
801-176C	109		105, 107, 127	815-143C	9, 11, 13, 35	826-416C	41
801-180C	43, 101, 103,	803-086C	29	815-144C	9, 11, 13, 35	826-417C	59, 61, 63
	105, 107, 109,	803-154C	51	815-145C	31	826-419C	59, 61
	125	803-177C	29, 33, 67, 69,	815-146C	31	826-438C	49
801-181C	39, 43, 115		71, 115, 125	815-147C	35	826-444C	41, 125
801-183C	69	803-209C	39, 43, 59	815-150C	33	826-445C	41, 125
801-193C	69	803-211C	37	815-151C	33	826-454C	53
801-197C	125	803-220C	69, 71	815-152C	33	826-455C	53
801-198C	43	803-229C	35, 43	815-153C	37	826-463C	39
801-199C	125	803-230C	99	815-154C	33	826-465C	39
802-004C	73, 75, 111	803-255C	7, 9, 11, 21, 37,	815-155C	33	826-474C	125
802-005C	73, 125		51, 53, 73, 75,	815-156C	33	826-475C	125
802-010C	29, 115		77, 109, 111, 113	815-157C	33	826-483C	125
802-017C	7, 9, 11, 39, 49	803-278C	25, 27	815-158C	33	831-035C	73
802-023C	39	803-280C	13, 17, 25, 27, 35	815-163C	33	831-042C	75
802-024C	43	803-281C	13	815-165C	37	833-020C	87, 91, 93, 95
802-079C	29	803-283C	25, 27	815-167C	33	833-255C	77, 79
802-080C	21	803-293C	39, 43, 51, 77,	815-173C	33	833-256C	77, 79
802-113C	43		79, 101, 103,	815-174C	33	833-257C	77
802-115C	39, 49, 97		105, 107, 115	815-175C	33, 37	833-260C	77
802-143C	39, 43	803-319C	23	815-178C	37	833-267C	85, 87, 89, 91,
802-257C	7, 9, 11, 21, 77,	803-329C	31	815-186C	33, 37		93, 95
	79	803-332C	35, 49, 53	815-187C	33	833-268C	85, 87, 89, 91,
802-282C	127	803-334C	19	815-190C	33		93, 95



Part Number Index (continued)

Part Number	Page	Part Number	Page	Part Number	Page	Part Number	Page
833-269C	85, 87, 89, 91, 93, 95	839-302C	73, 75	840-261C	29, 107	dwg23889	79
833-270C	85, 89	839-303C	99	840-266C	125	dwg23892	17
833-271C	85, 87, 89, 91, 93, 95	839-309C	65, 67	840-267C	125	F1004	35
833-277C	77, 79	839-311C	65, 67	840-268C	125	F136	31
833-296C	77, 79	839-321C	71	840-315C	69	F137	31
833-297C	89	839-322C	71	840-315c	71	F175	31
833-298C	85, 87, 89, 91, 93, 95	839-323C	65, 67	840-321C	17	F176	31
833-299C	85, 87, 89, 91, 93, 95	839-375C	65, 67	840-330C	17	F177	31
833-300C	85, 89	839-376C	65, 67	9175	27	F178	31
833-303C	77, 79	839-377C	65, 67	990-132R	123	F179	31
833-313C	85, 89	839-383C	69, 71	990-133R	109	F181	35
833-322C	115	839-401C	69	990-227R	101, 103, 105, 107, 109	F258	31
833-325C	85, 89	839-402C	69	990-235R	109	F261	31
833-329C	85, 89	839-403C	69	D2041	35	F609	31
833-330C	37	840-002C	29	dwg21147	121	F610	31
833-331C	77	840-064C	25, 27	dwg21159	31	F621	31
833-333C	77	840-065C	25, 27	dwg21207	15	F622	31
833-335C	77	840-072C	67	dwg21209	21, 23	F763	35
833-336C	87, 91, 93, 95	840-079C	71	dwg21210	19	F765	35
833-338C	77, 79	840-080C	39, 43, 59	dwg21211	101	F772	35
833-342C	87, 91, 93, 95	840-093C	27	dwg21217	103	F773	35
833-348C	77, 79, 83	840-094C	65	dwg21219	33	F774	35
833-349C	77, 79, 81	840-096C	59, 61	dwg21220	25	F777	31
838-303C	121	840-097C	85, 89	dwg21221	35	F792	31
838-444C	121	840-098C	41	dwg21222	55	F793	31
838-486C	121	840-100C	17	dwg21228	89	F799	35
838-489C	121	840-101C	19	dwg21229	49	F813	35
838-490C	121	840-102C	89	dwg21231	59	F815	35
838-491C	121	840-104C	33	dwg21232	45	F818	35
838-492C	121	840-105C	77, 79	dwg21233	37	F820	35
838-495C	121	840-106C	115	dwg21234	85	F822	35
838-507C	121	840-108C	39, 43, 59	dwg21237	63	F823	35
838-508C	121	840-114C	51	dwg21239	71	F824	35
838-532C	121	840-117C	37	dwg21240	43	F826	35
838-541C	89	840-119C	37	dwg21241	41	F827	31, 35
838-542C	121	840-120C	85, 87, 89, 91	dwg21242	65	F828	31, 35
838-543C	121	840-122C	109	dwg21243	53	F829	35
838-544C	121	840-124C	7	dwg21245	73	F832	35
838-545C	121	840-125C	85	dwg21248	67	F834	35
838-546C	121	840-126C	109	dwg21252	109	F840	35
838-547C	121	840-129C	25	dwg21256	99	F843	35
838-548C	121, 123	840-130C	25, 27	dwg21257	115	F845	35
838-549C	121	840-133C	111	dwg21258	97	F852	31
838-550C	121, 123	840-134C	29, 33	dwg21264	29	F855	31
838-551C	121	840-135C	41, 125	dwg21265	77	F896	35
838-552C	121	840-136C	9	dwg21271	111	F908	31
838-554C	121, 123	840-137C	11, 13	dwg21273	113	F909	31, 35
838-569C	85	840-138C	11	dwg21299	75	IC-3180	51
838-570C	121	840-139C	11	dwg21300	7	IC-3514	51
838-579C	121	840-142C	43	dwg21301	51	IC-3586	51
838-581C	121	840-160C	87, 91, 93, 95	dwg21312	127	N/A	71, 77, 79, 125
838-596C	121	840-161C	87, 91	dwg21313	9	R100-003M-A0427	63
838-623C	87, 91, 93	840-176C	71	dwg21314	119	R100-004M-A0428	63
838-633C	95	840-203C	123	dwg21315	117	R100-8B00-A0471	63
838-644C	121	840-204C	123	dwg21317	11	R100-8B00-A0473	63
838-662C	121	840-205C	123	dwg21385	91	RIN10046	71
838-663C	121	840-206C	123	dwg21386	87	RXR10148	71
838-668C	87, 91, 93, 95, 121	840-207C	123	dwg22117	27	V7-1C17D8-201	51
838-704C	123	840-208C	123	dwg22118	69		
839-122C	43	840-209C	51	dwg22226	123		
839-288C	77, 79	840-216C	123	dwg22231	39		
839-297C	73, 75	840-217C	123	dwg22412	107		
839-298C	73	840-218C	125	dwg22413	105		
839-299C	75	840-226C	13	dwg22414	93		
839-300C	99	840-227C	13	dwg22417	95		
839-301C	73	840-228C	13	dwg23791	13		
		840-229C	13	dwg23821	125		
		840-239C	125	dwg23857	83		
		840-240C	125	dwg23885	61		
		840-241C	29, 105	dwg23886	81		
		840-248C	93, 95				

This Page Intentionally Left Blank



Great Plains Manufacturing, Inc.

Corporate Office: P.O. Box 5060
Salina, Kansas 67402-5060 USA

www.landpride.com

Free Manuals Download Website

<http://myh66.com>

<http://usermanuals.us>

<http://www.somanuals.com>

<http://www.4manuals.cc>

<http://www.manual-lib.com>

<http://www.404manual.com>

<http://www.luxmanual.com>

<http://aubethermostatmanual.com>

Golf course search by state

<http://golfingnear.com>

Email search by domain

<http://emailbydomain.com>

Auto manuals search

<http://auto.somanuals.com>

TV manuals search

<http://tv.somanuals.com>