

Treker

4210ST & 4410ST Utility Vehicles



23531

700-109P **Parts Manual**



Read the Operator's manual entirely. When you see this symbol, the subsequent instructions and warnings are serious - follow without exception. Your life and the lives of others depend on it!

© Copyright 2009 Printed 02/19/09

Cover photo may show optional equipment not supplied with standard unit.





Table of Contents

Section 1: Introduction.....4
 Using This Manual.....4
 Manual Replacement Information.....4
 Manual Revisions.....4
 Touch-up Paint.....4
 Hardware Legend.....5
 Replacement Hardware.....5
 Serial Numbers.....5
 Part Number Service Coding.....5

TREKER 10 SERIES

Section 2: Frame and Suspension.....6
 Lower Control Arm.....6
 Main Frame.....8
 Shock Front.....10
 Shock Rear.....12
 Trailing Arm.....14
Section 3: Steering.....16
 Steering Components.....16
Section 4: Throttle.....18
 Throttle Components ST.....18
Section 5: Brakes and Shift Linkage.....20
 Brake Drum Rear Components.....20
 Brake Front Disc Components.....22
 Brake Park and Shifter Dash Mount S/N 535848-.....24
 Brake Park and Shifter Dash Mount S/N 535849+.....26
 Brake Park and Shifter Transaxle S/N 490317-.....28
 Brake Park and Shifter Transaxle S/N 490318+.....30
 Brake Park Caliper Components.....32
 Brake System Front.....34
 Brake System Rear.....36
Section 6: Drive Train.....38
 Drive Belt Components.....38
 Engine Mounting Honda 20HP.....40
 Front Differential Axleshaft and Driveshaft.....42
 Front Differential Components.....44
 Transaxle Rear and Axle Shafts.....48
 Transaxle Rear Components.....50
 Transfer Case and Rear Driveshaft.....52
 Transfer Case Components.....54
Section 7: Air Filtration.....56
 Air Cleaner.....56
Section 8: Exhaust System.....58
 Exhaust Components.....58
Section 9: Fuel System.....60
 Fuel System Components.....60
Section 10: Electrical System.....62
 Electrical Wiring.....62

Instrument Panel, 4 x 2.....64
 Instrument Panel, 4 x 4.....66
 Instrument Panel, 4210ST Manual Bed Lift.....68
 Instrument Panel, 4410ST Manual Bed Lift.....70
Section 11: Four Post Accessory and Seat Option...72
 Bench Seat Option.....72
 Bucket Seat Option.....74
 Four Post Accessory Bar.....76
Section 12: Floor Panel and Shields.....78
 Floor Panel and Shields.....78
Section 13: Hood and Cargo Box.....80
 Cargo Box Components.....80
 Cargo Box Manual Lift/Latch.....84
 Cargo Box Power Lift.....86
 Hood Components.....88
Section 14: Tires.....90
 Front Tires.....90
 Rear Tires.....92
Section 15: Decals.....94
 Decals.....94
 Decals and Panels Camo.....96
Section 16: Options.....98
 Bumper Front Standard and Brush Guard Option.....98

Part Number Index.....100

© Copyright 2009. All rights reserved.

Land Pride provides this publication "as is" without warranty of any kind, either expressed or implied. While every precaution has been taken in the preparation of this manual, Land Pride assumes no responsibility for errors or omissions. Neither is any liability assumed for damages resulting from the use of the information contained herein. Land Pride reserves the right to revise and improve its products as it sees fit. This publication describes the state of this product at the time of its publication, and may not reflect the product in the future. The illustrations in this manual are not intended for safe and proper assembly or disassembly of equipment. The illustrations are intended for ordering parts only.

Land Pride is registered trademark.

All other brands and product names are trademarks or registered trademarks of their respective holders.

Printed in the United States of America.



Alphabetized Table of Contents

TREKER 10 SERIES

A	Air Cleaner.....56	R	Rear Tires.....92
B	Bench Seat Option.....72	S	Shock Front.....10
	Brake Drum Rear Components.....20		Shock Rear.....12
	Brake Front Disc Components.....22		Steering Components.....16
	Brake Park and Shifter Dash Mount S/N 535848-.....24	T	Throttle Components ST.....18
	Brake Park and Shifter Dash Mount S/N 535849+.....26		Trailing Arm.....14
	Brake Park and Shifter Transaxle S/N 490317-.....28		Transaxle Rear and Axle Shafts.....48
	Brake Park and Shifter Transaxle S/N 490318+.....30		Transaxle Rear Components.....50
	Brake Park Caliper Components.....32		Transfer Case and Rear Driveshaft.....52
	Brake System Front.....34		Transfer Case Components.....54
	Brake System Rear.....36		
	Bucket Seat Option.....74		
	Bumper Front Standard and Brush Guard Option.....98		
C	Cargo Box Components.....80		
	Cargo Box Manual Lift/Latch.....84		
	Cargo Box Power Lift.....86		
D	Decals.....94		
	Decals and Panels Camo.....96		
	Drive Belt Components.....38		
E	Electrical Wiring.....62		
	Engine Mounting Honda 20HP.....40		
	Exhaust Components.....58		
F	Floor Panel and Shields.....78		
	Four Post Accessory Bar.....76		
	Front Differential Axleshaft and Driveshaft.....42		
	Front Differential Components.....44		
	Front Tires.....90		
	Fuel System Components.....60		
H	Hood Components.....88		
I	Instrument Panel, 4 x 2.....64		
	Instrument Panel, 4 x 4.....66		
	Instrument Panel, 4210ST Manual Bed Lift.....68		
	Instrument Panel, 4410ST Manual Bed Lift.....70		
L	Lower Control Arm.....6		
M	Main Frame.....8		

General Information

Using This Manual

This manual is divided into sections. The first section contains General Information. The remaining sections divide the machine into segments (i.e. Frames, Drives, Hydraulics, etc.) which illustrate and list all parts. A Parts Number Index is located at the back of the book.

The Land Pride parts in this manual are specially designed for this machine and should be replaced with Land Pride parts only.

The information in this manual is current at time of printing. Some parts may change to assure top performance.

Right-hand and left-hand as used in this manual are determined by facing the direction the machine will travel while in use.

Below is an example of two facing pages from a parts manual. Familiarize yourself with the type of information contained on these pages.

Manual Replacement Information

Replacement manuals are available. Refer to our website at www.landpride.com or e-mail us at lit@landpride.com for additional information. Our website continues to provide the most up-to-date manuals available.

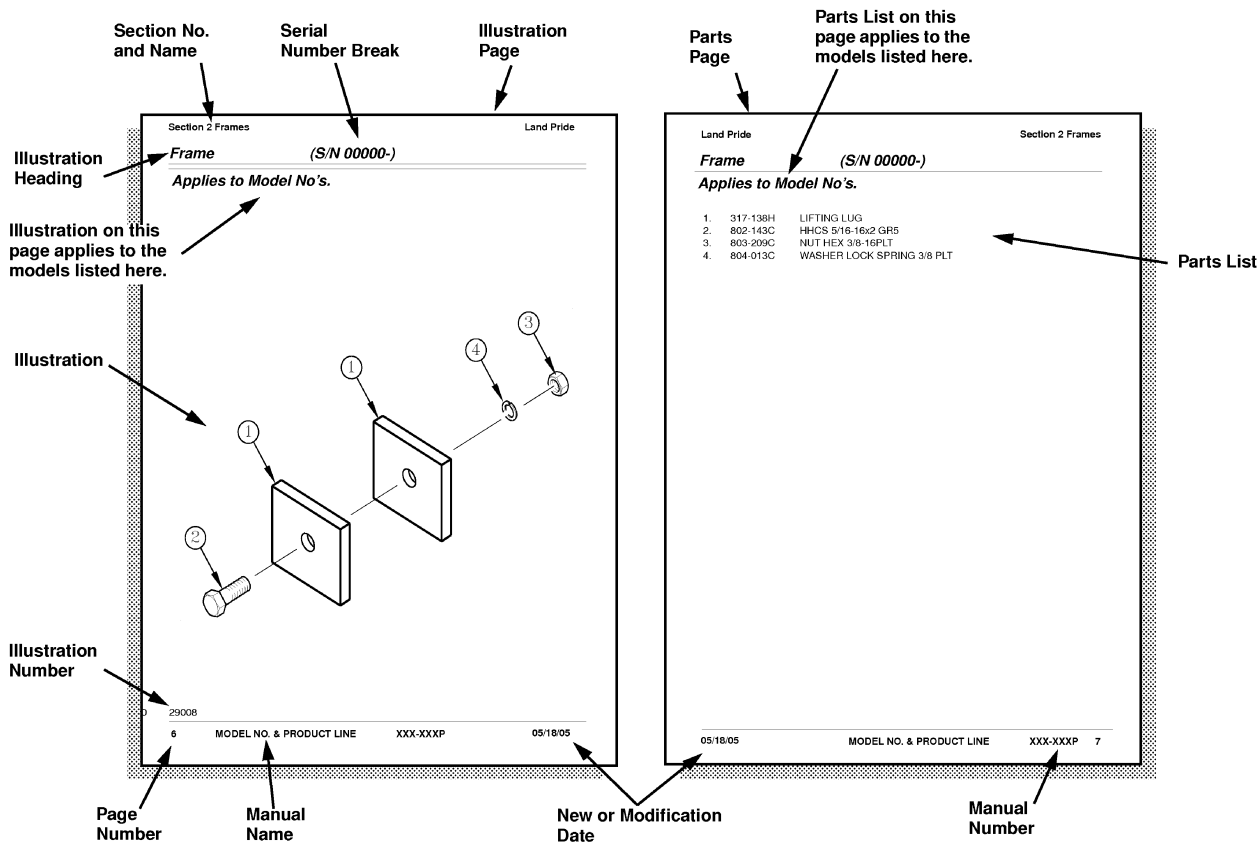
Touch-up Paint

Repaint parts where paint is worn or scratched to prevent rust. Aerosol cans and touch-up bottles with brush applicator are available through your local dealer. Land Pride color descriptions and part numbers are listed below. Also available are quart and gallon size paints. Add QT or GL to end of the Aerosol P/N.

Color	Product ¹	Aerosol	Touch-Up
Gloss Black	LP	821-032C	821-032CTU
Medium Gloss Black	UV	821-053C	821-053CTU
Beige	LP	821-011C	821-011CTU
Green	SLP	821-058C	821-058CTU
Orange	SLP	821-066C	821-066CTU
Red	SLP/UV	821-054C	821-054CTU
Blue	SLP/UV	821-067C	821-067CTU
Dark Green Sparkle	UV	821-055C	821-055CTU
Gondo Forest Green	UV	821-057C	821-057CTU
Brite Yellow ²	UV	821-056C	821-056CTU
Gondo Yellow ³	UV	821-059C	821-059CTU

Notes:

- LP = All Land Pride Products except Utility Vehicles
SLP = Select Land Pride Products that are available in optional Green, Orange, Red, & Blue colors.
UV = Utility Vehicles
- Used on Trekers and (Runabouts with S/N 407628-)
- Used on Gondos and (Runabouts with S/N 407629+)



General Information

Hardware Legend

AR	As Required
BLADE	Blade Bolt
C	Cap Screw
CP	Cotter Pin
CPHSSS	Cup Point Hex Socket Set Screw
CPSHSS	Cup Point Square Head Set Screw
CPSQHSS	Cup Point Square Head Set Screw
CRFCHMS3	Cross Recess Flat Countersunk Head Machine Screw
CRPHMS	Cross Recess Pan Head Machine Screw
CRPHTF	Cross Recess Pan Head Thread Forming
CRRHMS	Cross Recess Round Head Machine Screw
CRTHMS	Cross Recess Truss Head Machine Screw
CSNB	Countersunk Square Neck Bolt
FHMS	Flat Head Machine Screw
FTC	Full Thread Cap Screw
H	Hex Nut
HCLN	Hex Center Lock Nut
HFLCS	Hex Flange Lock Cap Screw
HFS	Hex Flange Screw
HFSLN	Hex Flange Serrated Lock Nut
HFSS	Hex Flange Serrated Screw
HHCS	Hex Head Cap Screw or Metric Bolt
HSBHCS	Hex Socket Button Head Cap Screw
HSFCHCS	Hex Socket Flat Countersunk Head Cap Screw
HSHCS	Hex Socket Head Cap Screw
HSSS	Hex Socket Head Screw
HTLN	Hex Top Lock Nut
HWHCS	Hex Washer Head Cap Screw

HWHMS	Hex Washer Head Machine Screw
HXBHCS	Hex Socket Button Head Cap Screw
J	Hex Jam Nut
JIC	37 Degree Tapered Thread
L	Helical Spring Lock Washer
LUG	Lug Bolt
NFC	National Fine Cap Screw
NPSM	National Pipe Straight Mechanical
NPTF	National Pipe Taper Fuel
P	Wide Plain Washer
PHMS	Pan Head Machine Screw
PLOW	Plow Bolt
RHMS	Round Head Machine Screw
RHSNB	Round Head Square Neck Bolt
SCREW LEVELING	Leveling Screw
SCREW THUMB	Thumb Screw
SCREW WELD	Weld Screw
SFCHMS	Slotted Flat Countersunk Head Machine Screw
SFHMS	Slotted Fillister Head Machine Screw
SP	Special
SP SCREW	Special Screw
SQHSS	Square Head Set Screw
SRHMS	Slotted Round Head Machine Screw
SSS	Socket Set Screw
STCS	Self Tapping Cap Screw
STHMS	Slotted Truss Head Machine Screw
WHEEL	Wheel Studs and Hub Long Bolts
WING	Wing Bolt

Replacement Hardware

The **Hardware Legend** above lists hardware abbreviations used in the parts list. All bolts and nuts are Grade 5 unless otherwise noted. The use of improper grades of hardware can result in personal injury, damage to equipment, or loss of property.

Colored Replacement Parts

Land Pride offers replacement parts in factory standard colors and also on select models in Green, Orange, Red and Blue. Because of the variety of colors available, special attention must be given to the part number to prevent ordering the wrong replacement part.

A suffix number corresponding to one of the colors below must be added at the end of Land Pride's part number when ordering a replacement part with that color.

- | | |
|-----------------------------------|---------------------------------|
| 81 Green | 83 Red |
| 82 Orange | 84 Blue |

For example, if you are ordering a replacement part with part number 555-555C and the part you need is red, then add the suffix 83 to the end of the number to make the part number read 555-555C83. Parts ordered without a suffix number will be supplied in factory standard colors.

Black Replacement Parts

Some parts are factory standard black and some must be special ordered black. If your part is special ordered black, a second part number with the additional suffix number 85 on the end will be available. In this situation you must order that part with the suffix number for it to be black. Parts that are factory standard black will not have the suffix number.

Part Number Service Coding

Within the parts list some part numbers are coded for revisions and interchangeability. See notations in revision column.

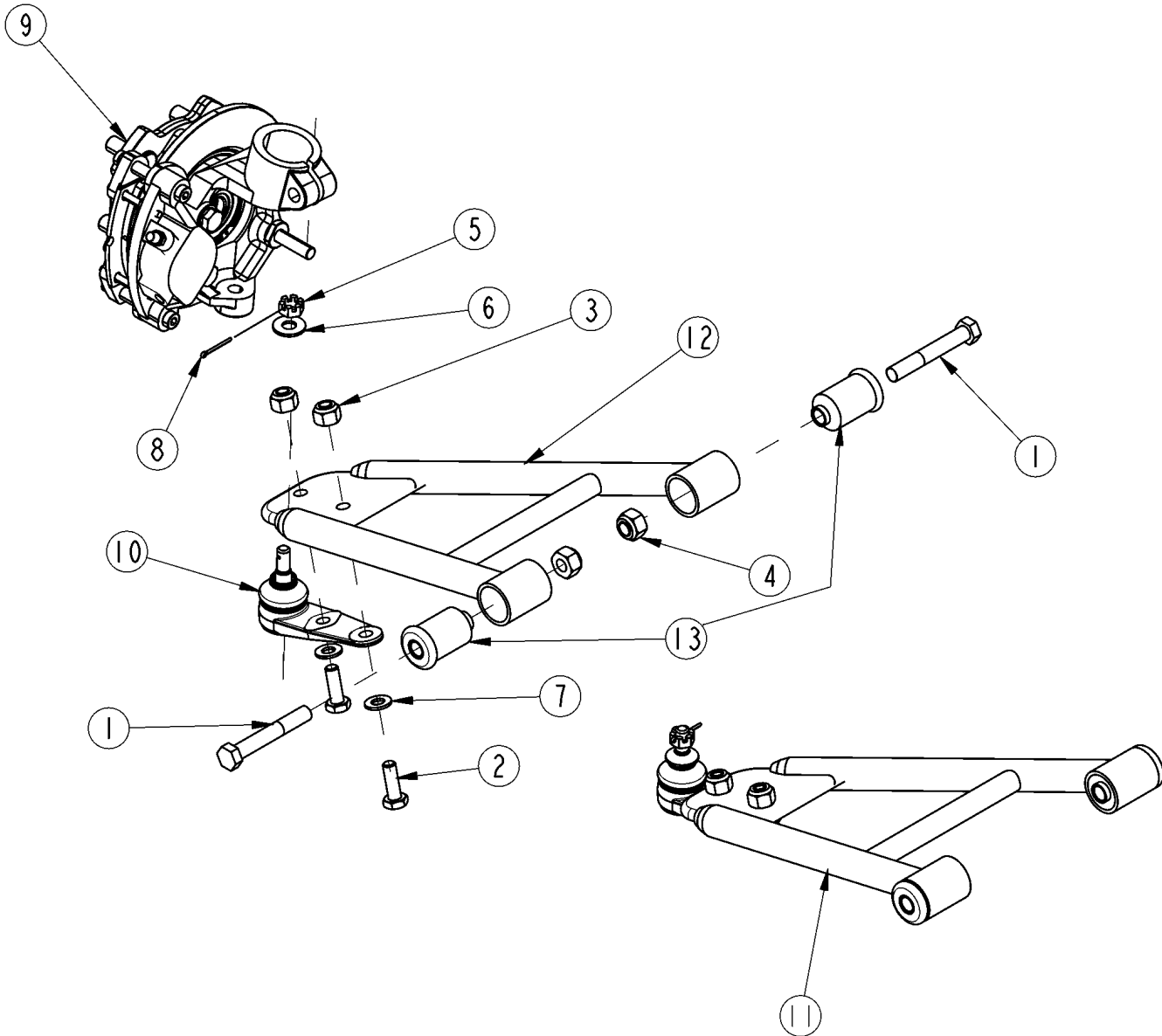
Serial Numbers

Always use the serial and model number when ordering parts. Refer to the Operator's Manual for serial number plate location.

- | | |
|----------------------|--|
| (S/N 20001+) | Includes serial numbers 20001 and above (to the latest number) |
| (S/N 10001 to 20000) | Includes serial numbers between and including 10001 and 20000 |
| (S/N 10000-) | Includes serial numbers 10000 and below (to the earliest number) |

Lower Control Arm

Applies to 4210ST, 4410ST



23791

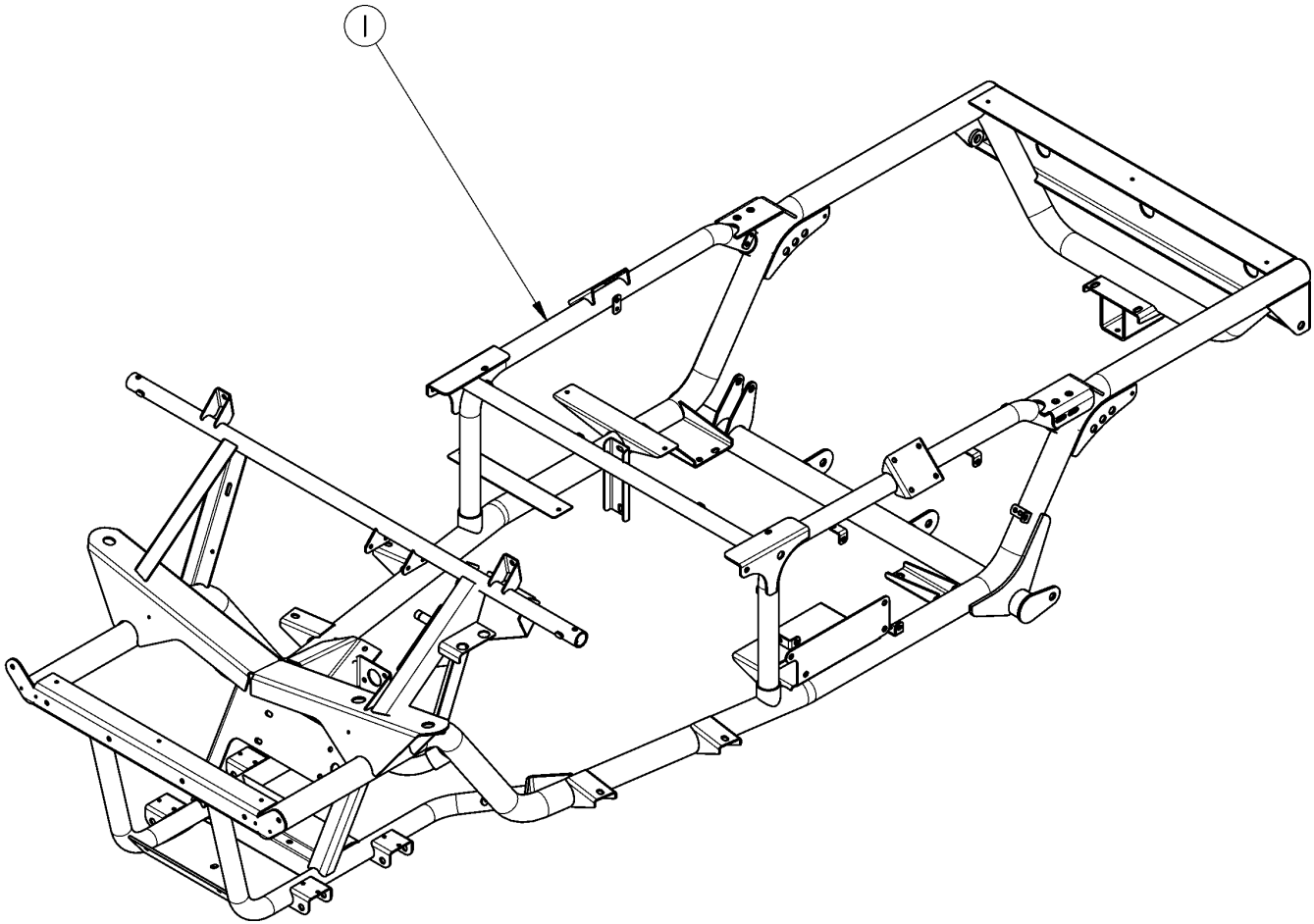
Lower Control Arm

Applies to 4210ST, 4410ST

Ref	Part No.	Part Description	Comments	Revision
	dwg23791	Drawing Image Number		
1.	802-486C	HHCS M12X1.75X80 GR8.8 PLT		
2.	802-609C	HHCS M10X1.5X30 GR8.8		
3.	803-280C	NUT HEX NYLOCK M10X1.5 PLT		
4.	803-281C	NUT HEX NYLOCK M12X1.75 PLT		
5.	803-341C	NUT HEX SLOTTED M10X1.25 PLT		
6.	804-011C	WASHER FLAT 3/8 USS PLT		
7.	804-162C	WASHER FLAT M10 PLT		
8.	805-063C	PIN COTTER 3/32 X 1 LONG		
9.	815-143C	RH DISC BRAKE ASM 172mm W/JNT		
9.	815-144C	LH DISC BRAKE ASM 172mm W/JNT		
10.	840-137C	BALL JOINT BOLT ON SIR		
11.	840-227C	A-ARM, RIGHT ASSEMBLY	Includes No. 2, 3, 5, 6, 7, 8, 10, 11, 12 & 13	
11.	840-226C	A-ARM, LEFT ASSEMBLY	Includes No. 2, 3, 5, 6, 7, 8, 10, 11, 12 & 13	
12.	840-228C	A-ARM, NEW BUSHING		
13.	840-229C	BUSHING, A-ARM		

Main Frame

Applies to 4210ST, 4410ST



23832

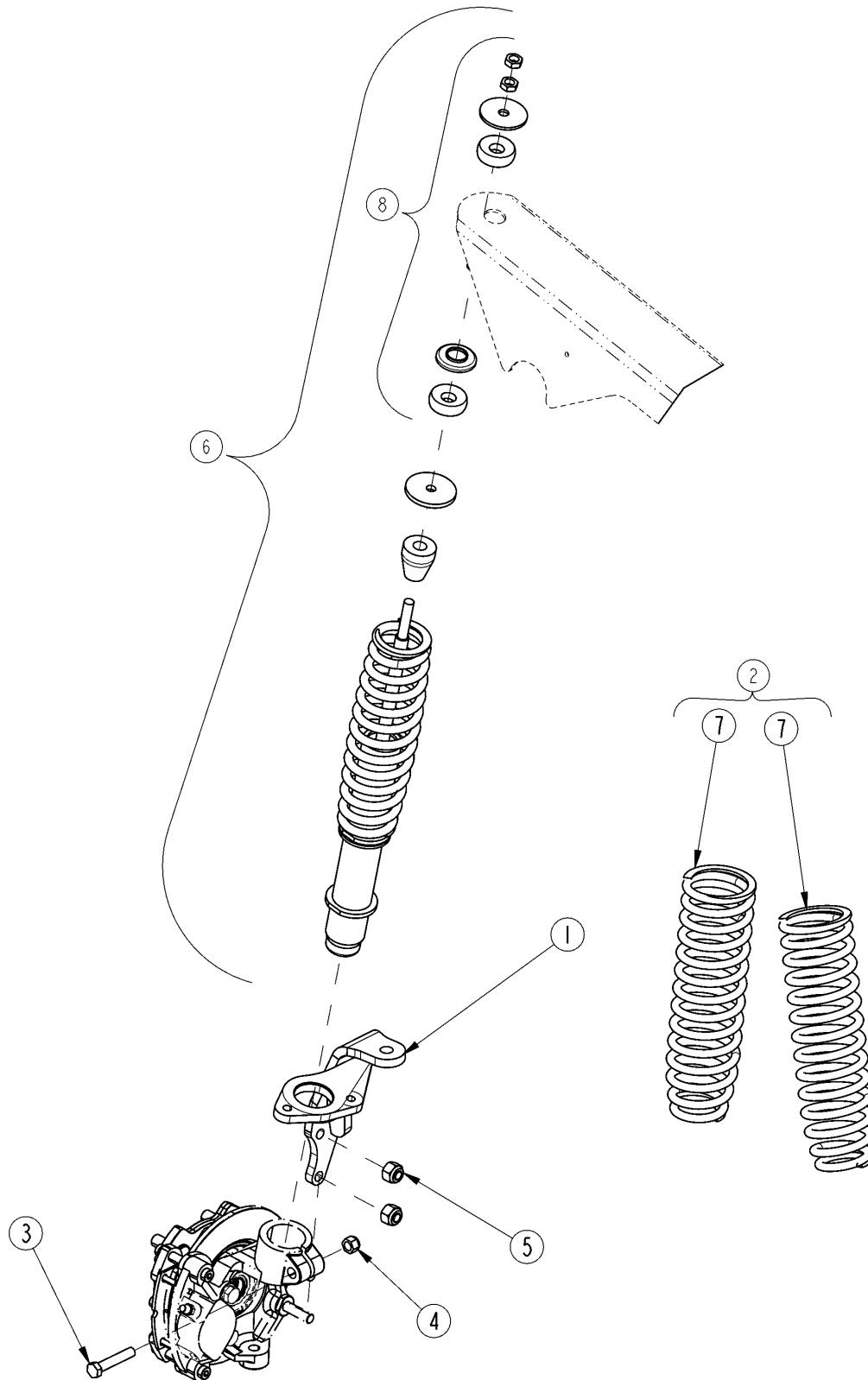
Main Frame

Applies to 4210ST, 4410ST

Ref	Part No.	Part Description	Comments	Revision
	dwg23832	Drawing Image Number		
1.	700-316A	ST 10/20 SERIES FRAME W/DECALS		

Shock Front

Applies to 4210ST, 4410ST



23892

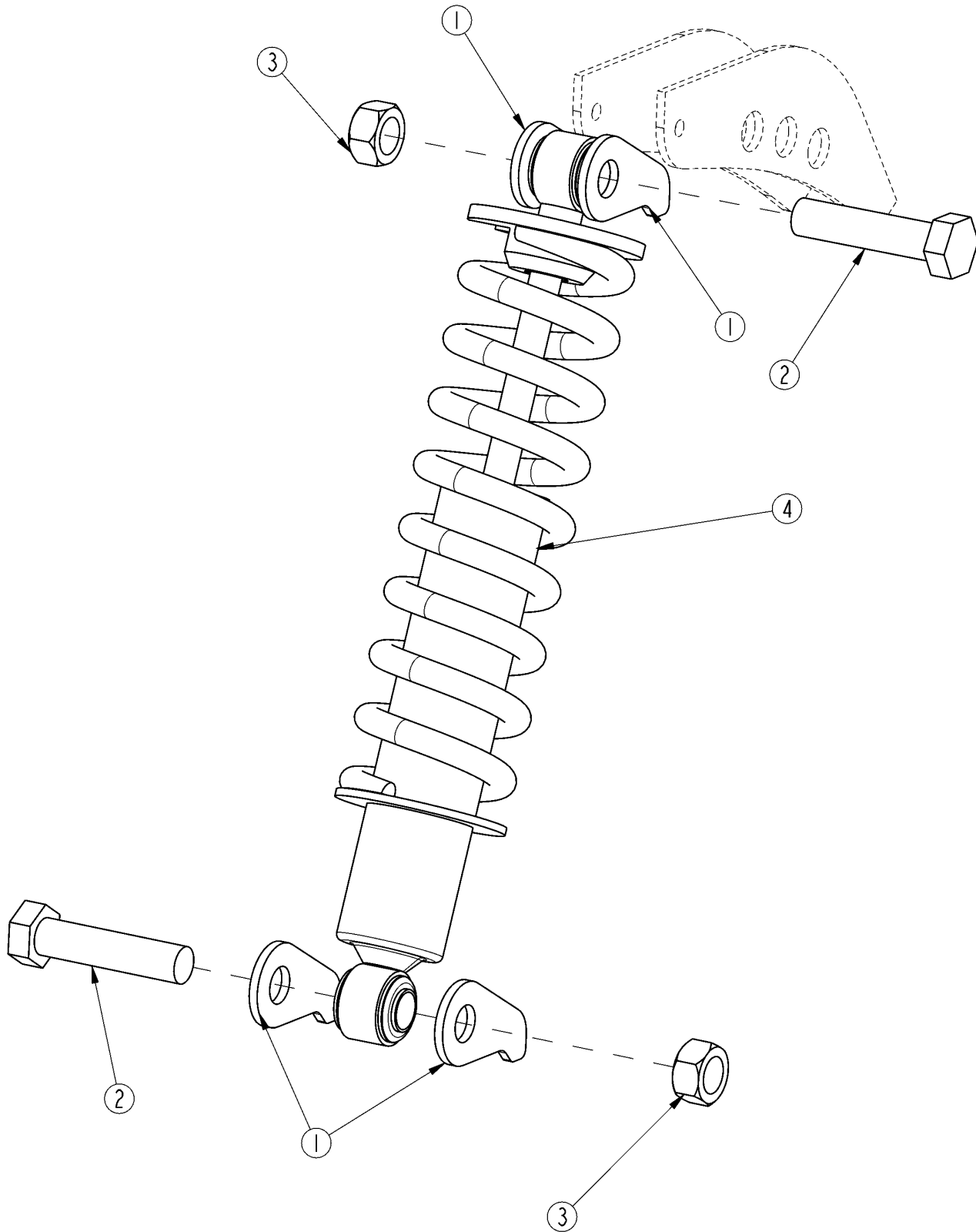
Shock Front

Applies to 4210ST, 4410ST

Ref	Part No.	Part Description	Comments	Revision
	dwg23892	Drawing Image Number		
	700-500A	TREKER SHOCK UPDATE KIT	(Update kit for units S/N 524740-) Contains 2 Ea. 840-321C	
		*		
1.	700-055H	STEERING BRACKET RIGHT		
1.	700-054H	STEERING BRACKET LEFT		
2.	701-193A	SPRINGS, ST TRUCK HI RATE	2 ea. Item 7	
3.	802-771C	HHCS 3/8-16X2 GR8 PLT		
4.	803-078C	NUT LOCK 3/8-16 NYLON INSERT		
5.	803-280C	NUT HEX NYLOCK M10X1.5 PLT		
6.	840-321C	SHOCK COIL/STRUT FRNT TRUCK	S/N 524741+	
6.	840-100C	SHOCK COIL/STRUT FRNT TRUCK	S/N 524740-	
7.	840-330C	SPRG, TRUCK FRT STRUT HI RATE		
8.	700-131A	STRUT TOP HARDWARE KIT		

Shock Rear

Applies to 4210ST, 4410ST



21210

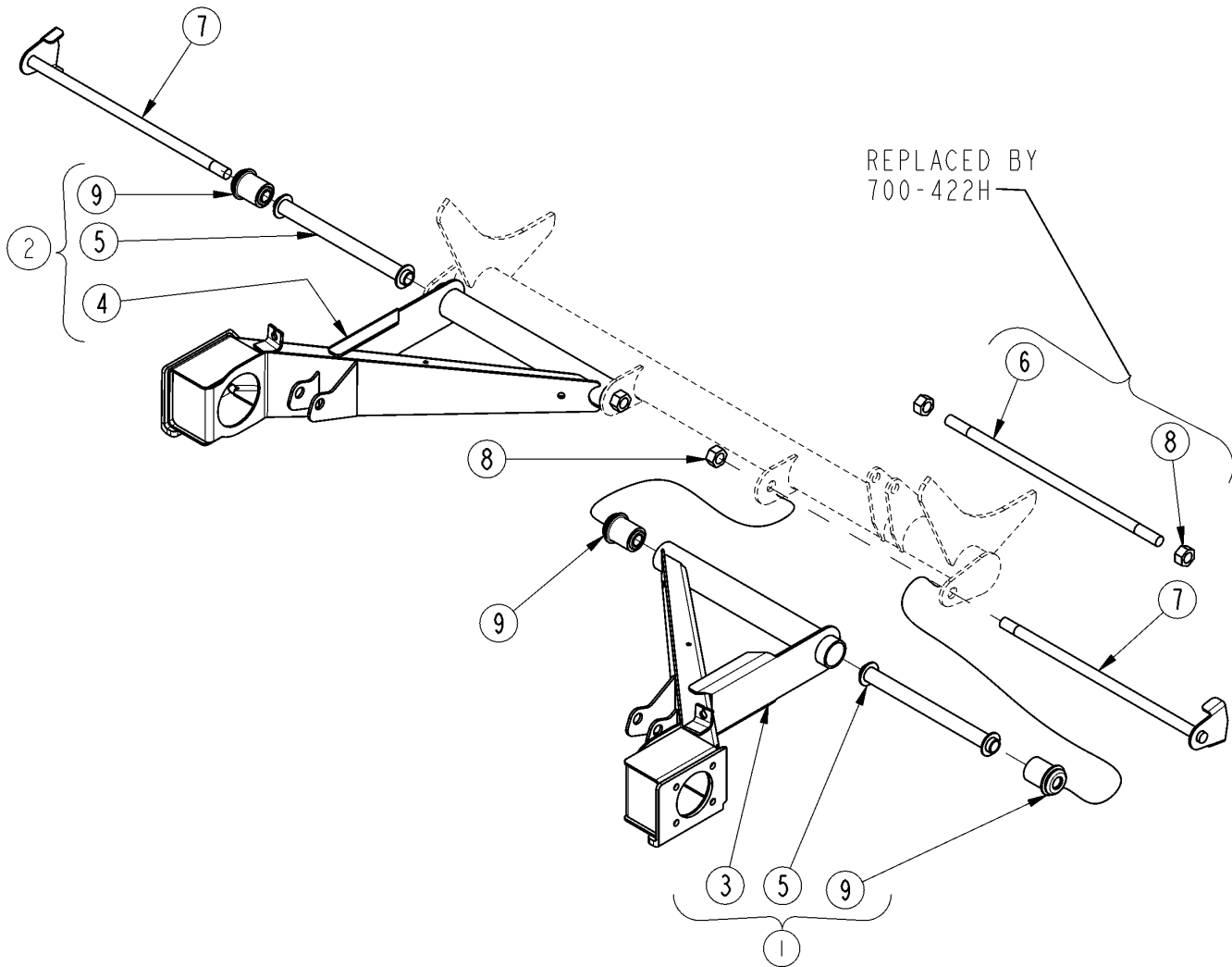
Shock Rear

Applies to 4210ST, 4410ST

Ref	Part No.	Part Description	Comments	Revision
	dwg21210	Drawing Image Number		
1.	700-212D	SHOCK SPACER PLATE		
2.	802-751C	HHCS M14X2.00X60 GR8.8		
3.	803-334C	NUT HEX NYLOCK M14X2.00		
4.	840-101C	SHOCK COIL REAR TRUCK		

Trailing Arm

Applies to 4210ST, 4410ST



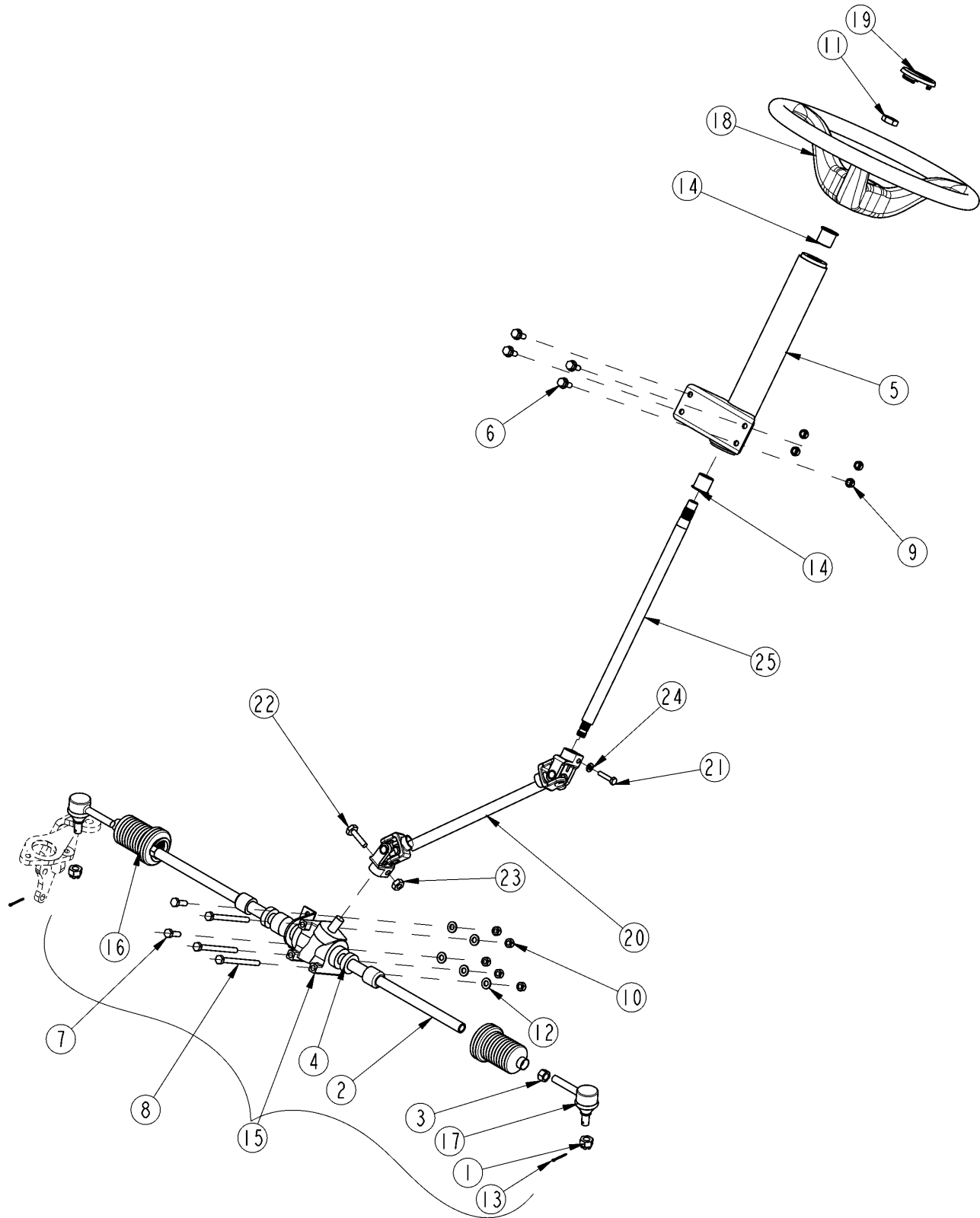
Trailing Arm

Applies to 4210ST, 4410ST

Ref	Part No.	Part Description	Comments	Revision
	dwg23795	Drawing Image Number		
1.	700-256S	TRAILING ARM RH ASSY		
2.	700-257S	TRAILING ARM LH ASSY		
3.	700-262H	TRAILING ARM RH WELDMENT		
4.	700-263H	TRAILING ARM LH WELDMENT		
5.	700-371H	CENTER PIVOT TUBE WELDMENT		
6.	700-374D	RPBY 700-422H		
7.	700-422H	TRAILING ARM PIVOT BOLT WLDMNT		
8.	803-319C	NUT HEX TOP LOCK 9/16-12 YLW		
9.	817-517C	BUSHING IDLER ARM RUBBER		

Steering Components

Applies to 4210ST, 4410ST



22117

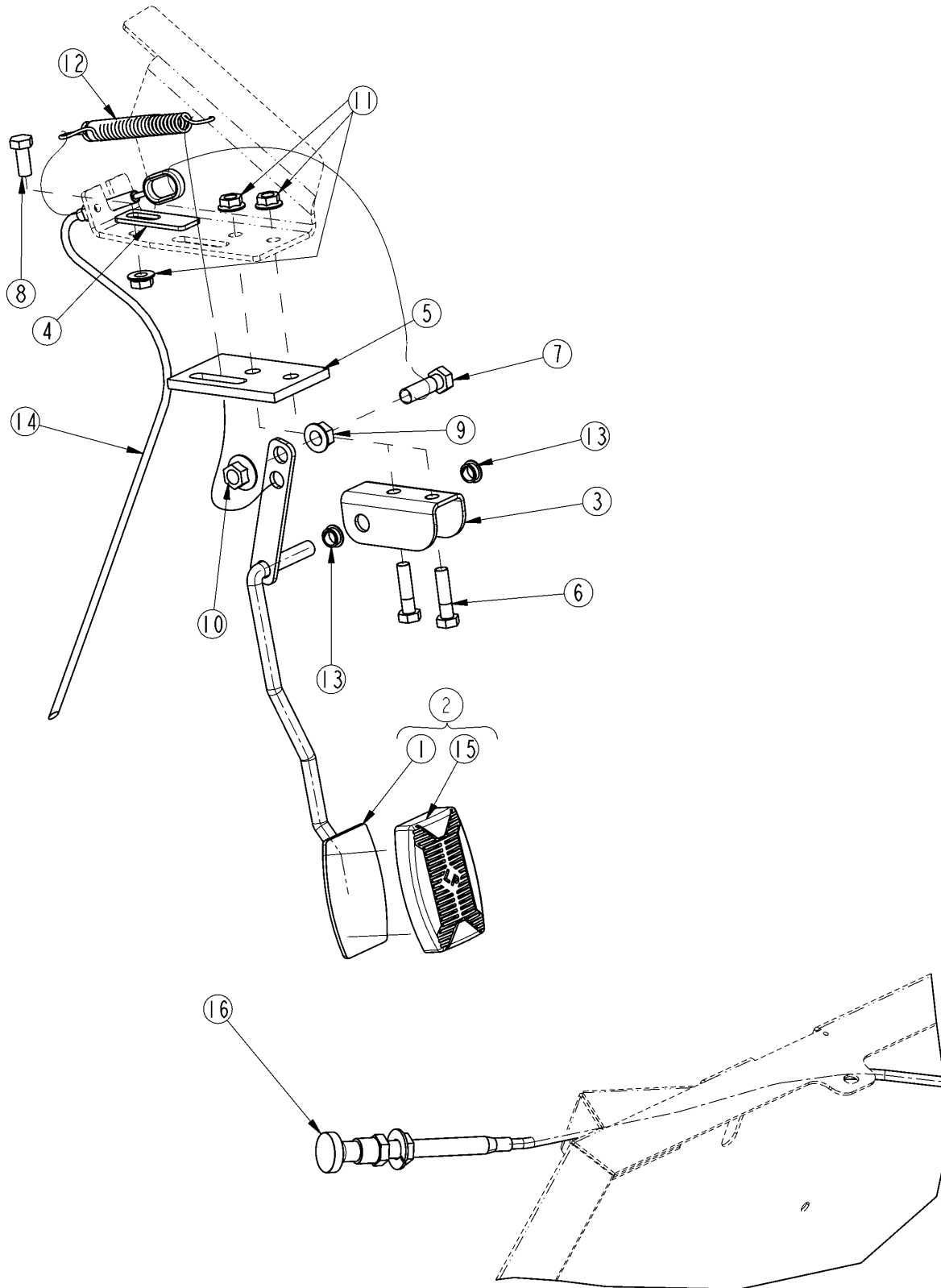
Steering Components

Applies to 4210ST, 4410ST

Ref	Part No.	Part Description	Comments	Revision
	dwg22117	Drawing Image Number		
1.	9175	NUT HEX SLOTTED M12X1.25 PLT		
2.	680002	TIE ROD W/BALL 826-399C/400C		
3.	43142100	NUT HEX M14X1.5 PLT		
4.	47002300	SPACER 826-399C/400C		
5.	700-060H	STEERING COLUMN WELDMENT		
6.	802-387C	HFS 5/16-18X3/4 GR5		
7.	802-714C	HHCS M8X1.25X25 GR8.8 YLW PLT		
8.	802-760C	HHCS M8X1.25X100 GR8.8 PLT		
9.	803-084C	NUT HEX NYLOCK 5/16-18 PLT		
10.	803-278C	NUT HEX NYLOCK M8X1.25 PLT		
11.	803-283C	NUT HEX M16X2.00X8MM THK PLT		
12.	804-084C	WASHER FLAT 5/16 HARD ASTM F436		
13.	805-063C	PIN COTTER 3/32 X 1 LONG		
14.	817-525C	BUSHING 1 OD X .75ID X 1		
15.	826-400C	RACK & PINION ST		
16.	0909001	BOOT 826-399C/400C		
17.	0180006	TIE ROD END 826-399C/400C		
18.	840-064C	STEERING WHEEL		
19.	840-065C	CAP 2 ID PLASTIC (BDY/STRG WHL		
20.	840-093C	STEERING SHAFT TRUCK		
21.	23035	MVL BOLT FOR 840-093C		
22.	802-628C	HHCS M10X1.5X35 PLT		
23.	803-280C	NUT HEX NYLOCK M10X1.5 PLT		
24.	20061	MVL SPRING WASHER FOR 840-093C		
25.	840-130C	UPPER STEERING SHAFT TRUCK ASM		

Throttle Components ST

Applies to 4210ST, 4410ST



21264

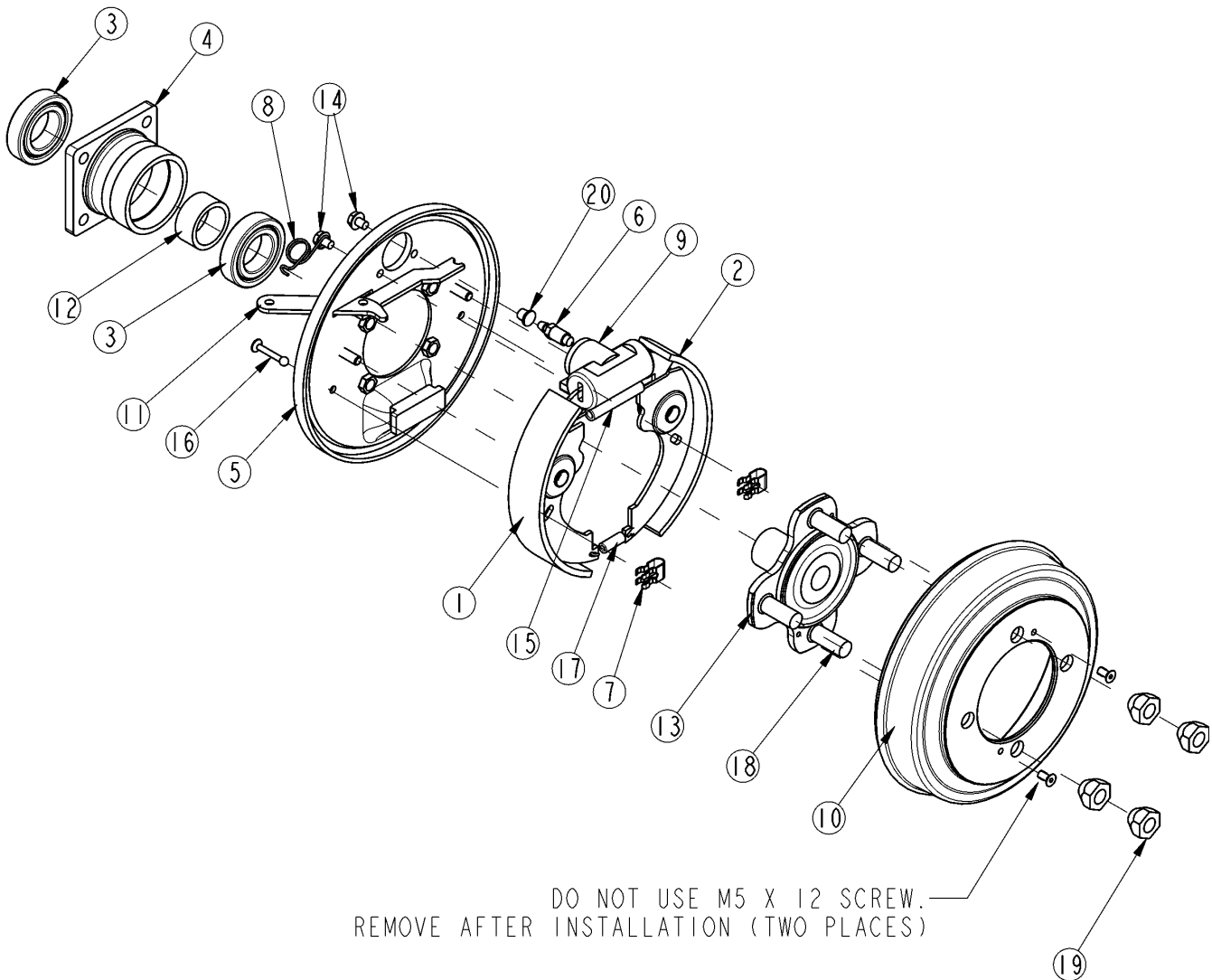
Throttle Components ST

Applies to 4210ST, 4410ST

Ref	Part No.	Part Description	Comments	Revision
	dwg21264	Drawing Image Number		
1.	700-127H	GAS PEDAL WELDMENT		
2.	700-128S	GAS PEDAL W/PAD ASSEMBLY		
3.	700-129D	GAS PEDAL MOUNT		
4.	700-206D	GAS PEDAL ADJUSTMENT PLATE		
5.	700-255D	BODY MOUNT SPACER .375 THICK	Use as needed	
5.	700-254D	BODY MOUNT SPACER .25 THICK	Use as needed	
6.	802-010C	HHCS 5/16-18X1 1/4 GR5		
7.	802-079C	HHCS 3/8-16X1 1/4 GR5		
8.	802-735C	HHCS 5/16-18X3/4 GR5 YELLOW DIE		
9.	803-068C	NUT HEX FLANGE 3/8-16 PLT		
10.	803-086C	NUT MAC-LOK FLG 3/8-16 GR F		
12.	807-227C	SPRING EXT .50D .075W 2.75LG		
11.	803-177C	NUT HEX LOCK 5/16-18 FLG.		
13.	817-540C	BUSHING NYLON 3/8ID (SNAP IN)		
14.	840-002C	THROTTLE CABLE		
15.	840-134C	BRAKE/ACCELERATOR PEDAL RUBBER		
16.	840-241C	CHOKE CABLE ST		

Brake Drum Rear Components

Applies to 4210ST, 4410ST



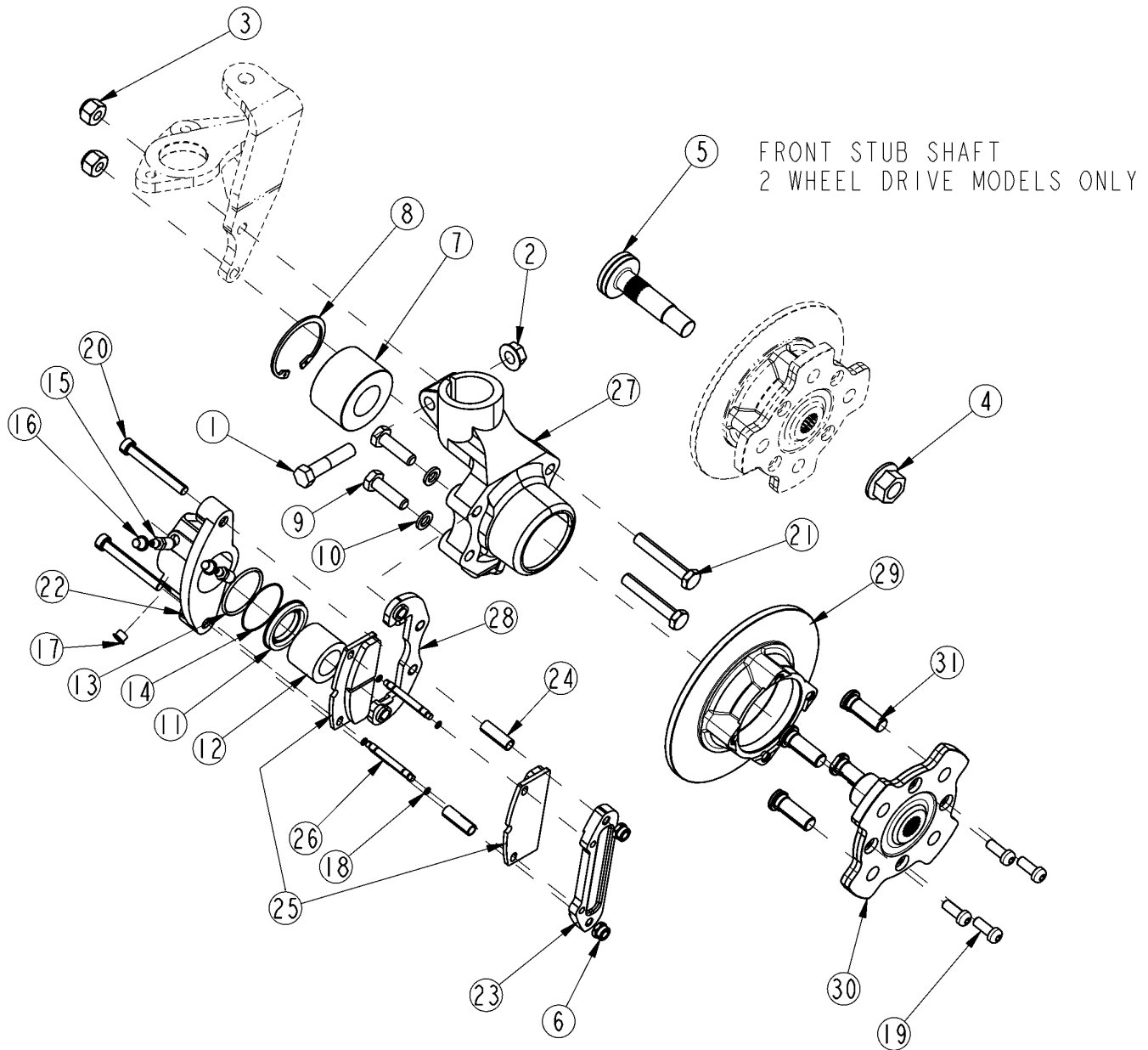
Brake Drum Rear Components

Applies to 4210ST, 4410ST

Ref	Part No.	Part Description	Comments	Revision
	dwg21159	Drawing Image Number		
	815-145C	RH DRUM ASM 180mm 4 ON 4" BC	ITEM 19 NOT INCLUDED	
	815-146C	LH DRUM ASM 180mm 4 ON 4" BC	ITEM 19 NOT INCLUDED	
1.	F136	LEFT SHOE		
2.	F137	RIGHT SHOE		
3.	F777	BALL BEARING		
4.	F855	BEARING HOLDER HUB		
5.	F179	BRAKE SHOE DISC RH		
5.	F178	BRAKE SHOE DISC LH		
6.	F827	BLEEDER SCREW		
7.	F622	SHOES LOCKING SPRING		
8.	F792	RIGHT SPRING/HAND BRAKE LEVER		
8.	F793	LEFT SPRING/HAND BRAKE LEVER		
9.	F261	HYDRAULIC CYLINDER		
10.	F908	DRUM		
11.	F176	RIGHT LEVERS SET		
11.	F177	LEFT LEVERS SET		
12.	F852	CMX SPACER		
13.	F175	BRAKE FLANGE HUB W/STUDS		
14.	F258	SCREW M6 x 40		
15.	F610	UPPER RETURN SPRING		
16.	F621	SPRING PIN		
17.	F609	LOWER RETURN SPRING		
18.	F909	STUD		
19.	803-329C	NUT LUG 1/2-20 x 60 DEG PLT (.81AF)		
20.	F828	BOOT		

Brake Front Disc Components

Applies to 4210ST, 4410ST



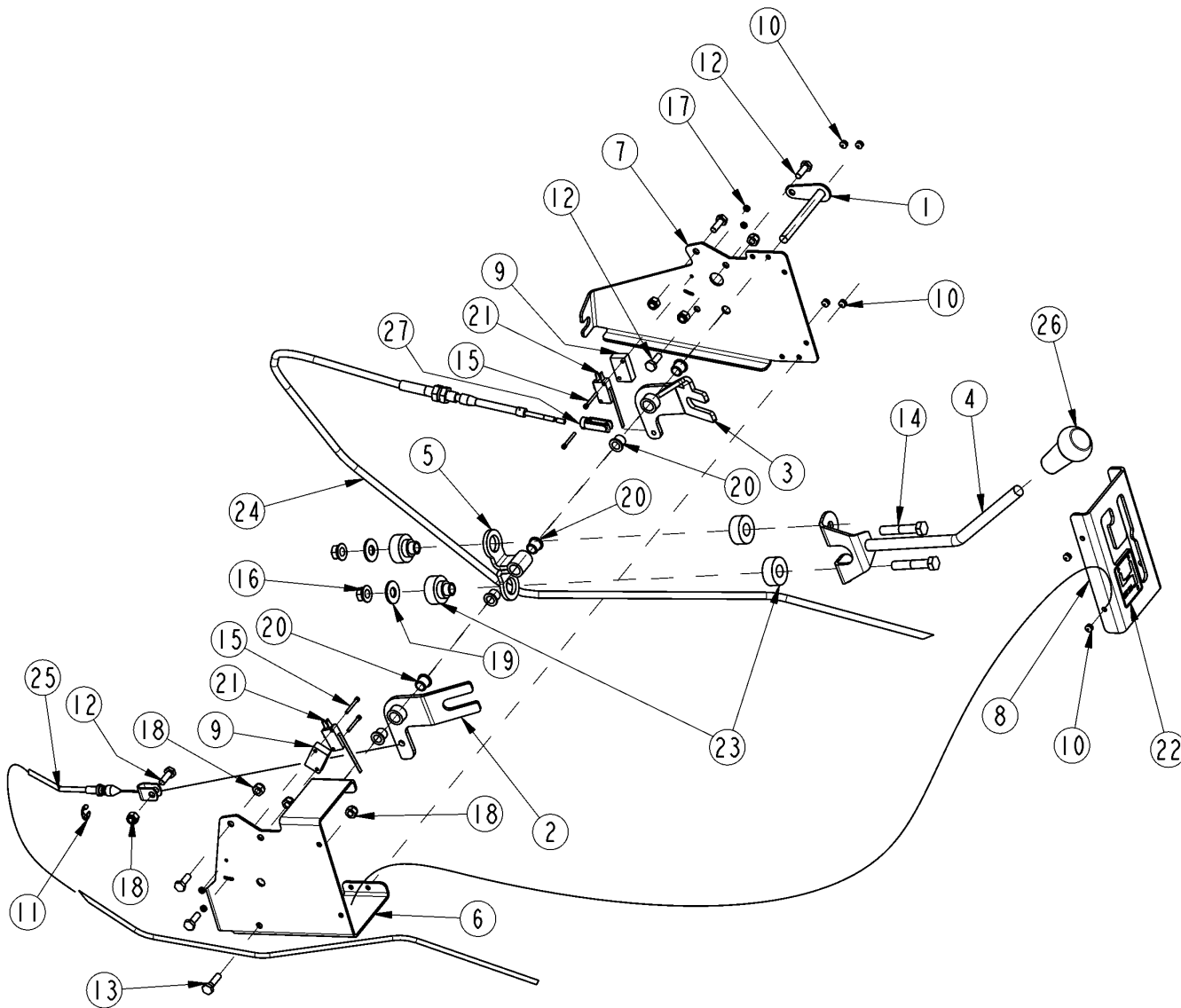
Brake Front Disc Components

Applies to 4210ST, 4410ST

Ref	Part No.	Part Description	Comments	Revision
	dwg21221	Drawing Image Number		
	815-143C	RH DISC BRAKE ASM 172mm W/JNT	Does Not Include #3, #4 or #5	Rev. 2
	815-144C	LH DISC BRAKE ASM 172mm W/JNT	Does Not Include #3, #4 or #5	Rev. 2
1.	802-589C	HHCS 7/16-14X2 GR5		
2.	803-229C	NUT HEX FLANGE LOC 7/16-14 PLT		
3.	803-280C	NUT HEX NYLOCK M10X1.5 PLT		
4.	803-332C	NUT HEX M16X1.5 TOP LOCK PLT		
5.	815-147C	FRNT DISC BRAKE STUB SHAFT 2WD		
6.	D2041	NUT M8		
7.	F763	BALL BEARING 60,05X30X37		
8.	F765	SNAP RING		
9.	F772	SCREW M 10 X 1.25 X 35		
10.	F773	M 10 WASHER		
11.	F824	DUST BOOT RING		
12.	F822	CAP		
13.	F823	SEALING RING		
14.	F820	RUBBER DUST BOOT		
15.	F827	BLEEDER SCREW		
16.	F828	BOOT		
17.	F829	PLUG		
18.	F832	ELASTIC RING		
19.	F845	SCREW M8 X 20		
20.	F774	SCREW M8 X 65		
21.	F799	HHS M10X1.5X50 PLT		
22.	F813	CALIPER BODY		
23.	F815	REACTION BRACKET		
24.	F818	SPACER		
25.	F1004	BRAKE PAD KIT (COMP. 2 WHEELS)		
26.	F826	PIN		
27.	F840	WHEEL PIVOT		Rev. 2
28.	F834	CALIPER CLAMPING PLATE		
29.	F843	DISC BRAKE		
30.	F181	CMEX FLANGE WITH STUDS		Rev. 2
30.	F896	RPBY F181		Rev. 1
31.	F909	STUD		

Brake Park and Shifter Dash Mount S/N 535848-

Applies to 4210ST, 4410ST



23798

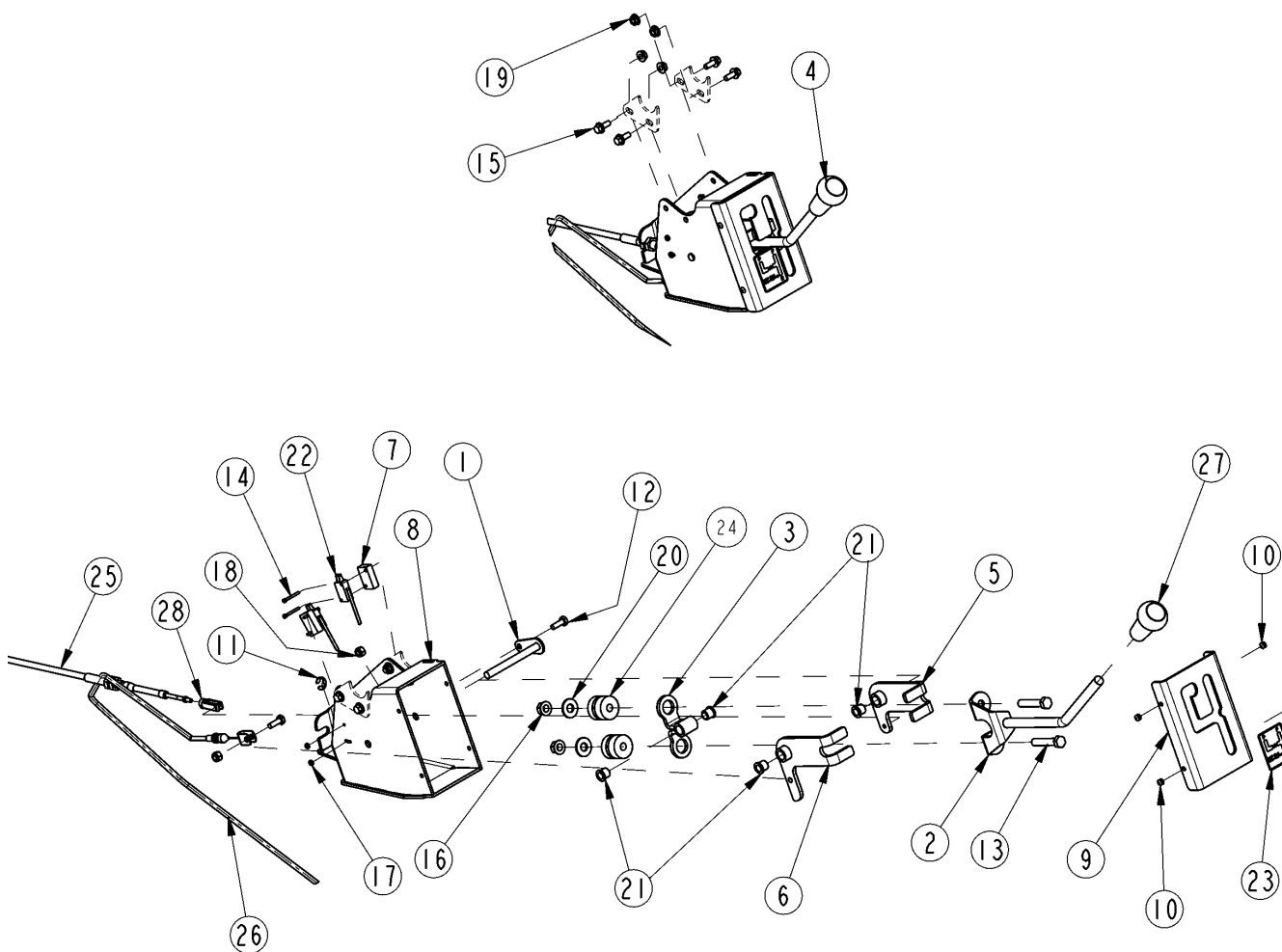
Brake Park and Shifter Dash Mount S/N 535848-**Applies to 4210ST, 4410ST**

Ref	Part No.	Part Description	Comments	Revision
	dwg23798	Drawing Image Number		
1.	700-255H	PIN WELDMENT		
2.	700-398S	KIT, LH/RH FORK LEVER		
2.	700-269H	RPBY 700-398S		
3.	700-398S	KIT, LH/RH FORK LEVER		
3.	700-270H	RPBY 700-398S		
4.	700-271H	SHIFT LEVER WLDMNT		
5.	700-272H	SHIFT LEVER LOWER WLDMNT		
6.	700-449H	WELDMENT, SHIFTER HOUSING		
6.	700-399D	RPBY 700-449H		
7.	700-449H	WELDMENT, SHIFTER HOUSING		
7.	700-400D	RPBY 700-449H		
8.	700-450D	PLATE, SHIFTER GATE		
8.	700-406D	RPBY 700-450D		
9.	700-419D	SPACER PLATE		
10.	800-128C	RIVET POP 3/16 .375 SSD66BS		
11.	800-351C	E RETAINING RING EXTERNAL		
12.	802-004C	HHCS 1/4-20X3/4 GR5		
13.	802-005C	HHCS 1/4-20X1 GR5		
14.	802-143C	HHCS 3/8-16X2 GR5		
15.	802-788C	HSHCS #4-40X1		
16.	803-209C	NUT FLANGE LOCK 3/8-16 PLT		
17.	803-211C	NUT HEX #4-40 PLT		
18.	803-255C	NUT HEX NYLOCK 1/4-20		
19.	804-011C	WASHER FLAT 3/8 USS PLT		
20.	817-019C	BUSHING 1/2ODX3/8IDX1/2 FLG		
21.	833-330C	PARK BRAKE MICRO-SWITCH		
22.	838-777C	DASH SHIFTER DECAL		
23.	840-080C	MOUNT MOTOR H SYTLE		
24.	840-270C	SHIFT CABLE (DASH)		
25.	840-271C	PARK BRAKE CABLE 105.00" LG		
26.	840-288C	DASH SHIFTER KNOB		
27.	890-884C	YOKE 10-32 W/ LOCK		

Brake Park and Shifter Dash Mount S/N 535849+

Applies to 4210ST, 4410ST

SHIFTER/PARK
BRAKE MOUNTING



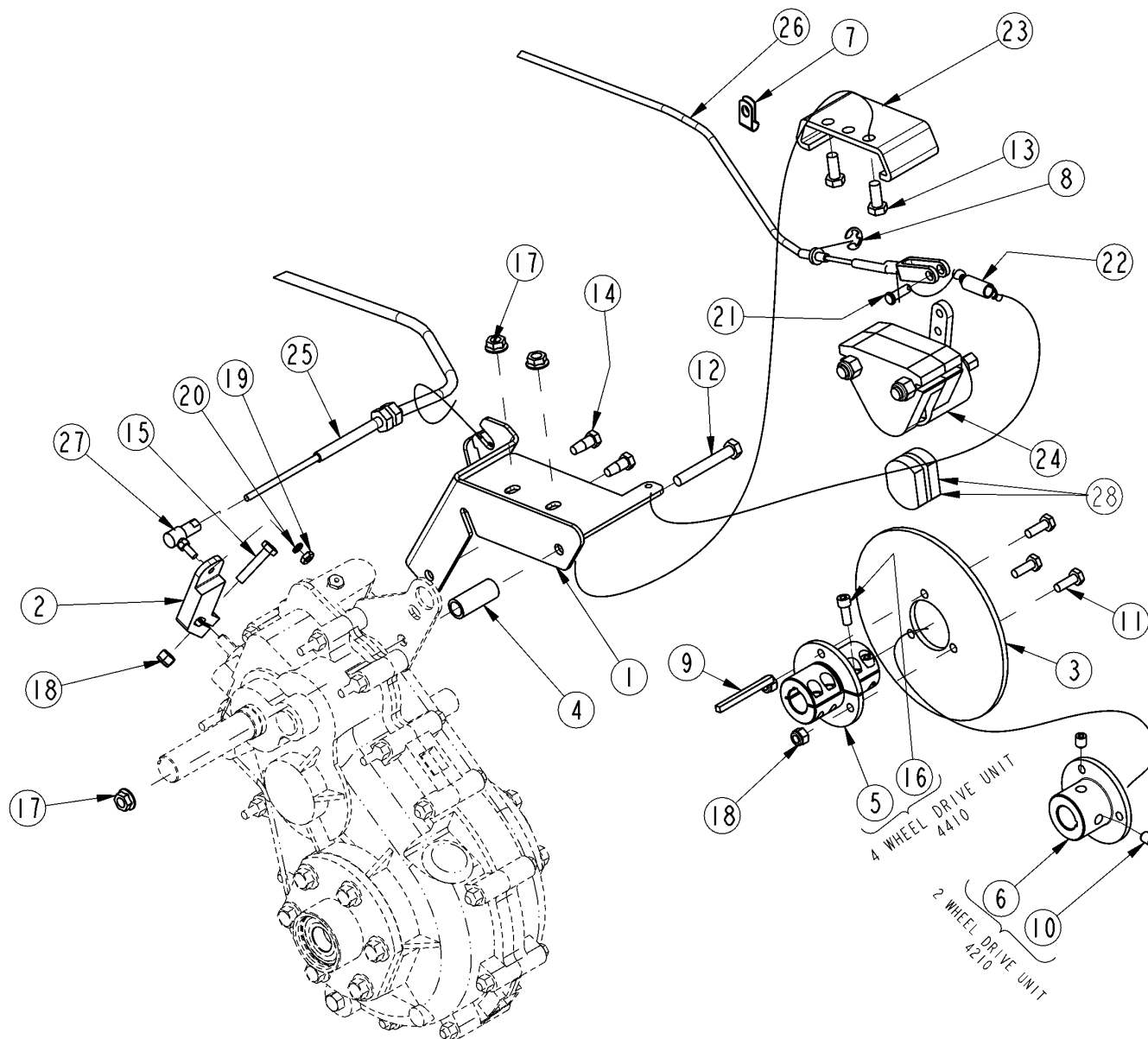
25599

Brake Park and Shifter Dash Mount S/N 535849+**Applies to 4210ST, 4410ST**

Ref	Part No.	Part Description	Comments	Revision
	dwg25599	Drawing Image Number		
1.	700-255H	PIN WELDMENT		
2.	700-271H	SHIFT LEVER WLDMNT		
3.	700-272H	SHIFT LEVER LOWER WLDMNT		
4.	700-273S	SHIFTER ASSEMBLY		
5.	700-414H	WELDMENT, F-N-R LEVER		
6.	700-415H	WELDMENT, PARK BRAKE LEVER		
7.	700-419D	SPACER PLATE		
8.	700-449H	WELDMENT, SHIFTER HOUSING		
9.	700-450D	PLATE, SHIFTER GATE		
10.	800-128C	RIVET POP 3/16 .375 SSD66BS		
11.	800-351C	E RETAINING RING EXTERNAL		
12.	802-004C	HHCS 1/4-20X3/4 GR5		
13.	802-143C	HHCS 3/8-16X2 GR5		
14.	802-788C	HSHCS #4-40X1		
15.	802-811C	HFS 1/4-20X5/8 GR5 ZNYCR		
16.	803-209C	NUT FLANGE LOCK 3/8-16 PLT		
17.	803-211C	NUT HEX #4-40 PLT		
18.	803-255C	NUT HEX NYLOCK 1/4-20		
19.	803-293C	NUT HEX FLG TL 1/4-20 ZNYCR		
20.	804-011C	WASHER FLAT 3/8 USS PLT		
21.	817-019C	BUSHING 1/2ODX3/8IDX1/2 FLG		
22.	833-330C	PARK BRAKE MICRO-SWITCH		
23.	838-777C	DASH SHIFTER DECAL		
24.	840-080C	MOUNT MOTOR H SYTLE		
25.	840-270C	SHIFT CABLE (DASH)		
26.	840-271C	PARK BRAKE CABLE 105.00" LG		
27.	840-288C	DASH SHIFTER KNOB		
28.	890-884C	YOKE 10-32 W/ LOCK		

Brake Park and Shifter Transaxle S/N 490317-

Applies to 4210ST, 4410ST



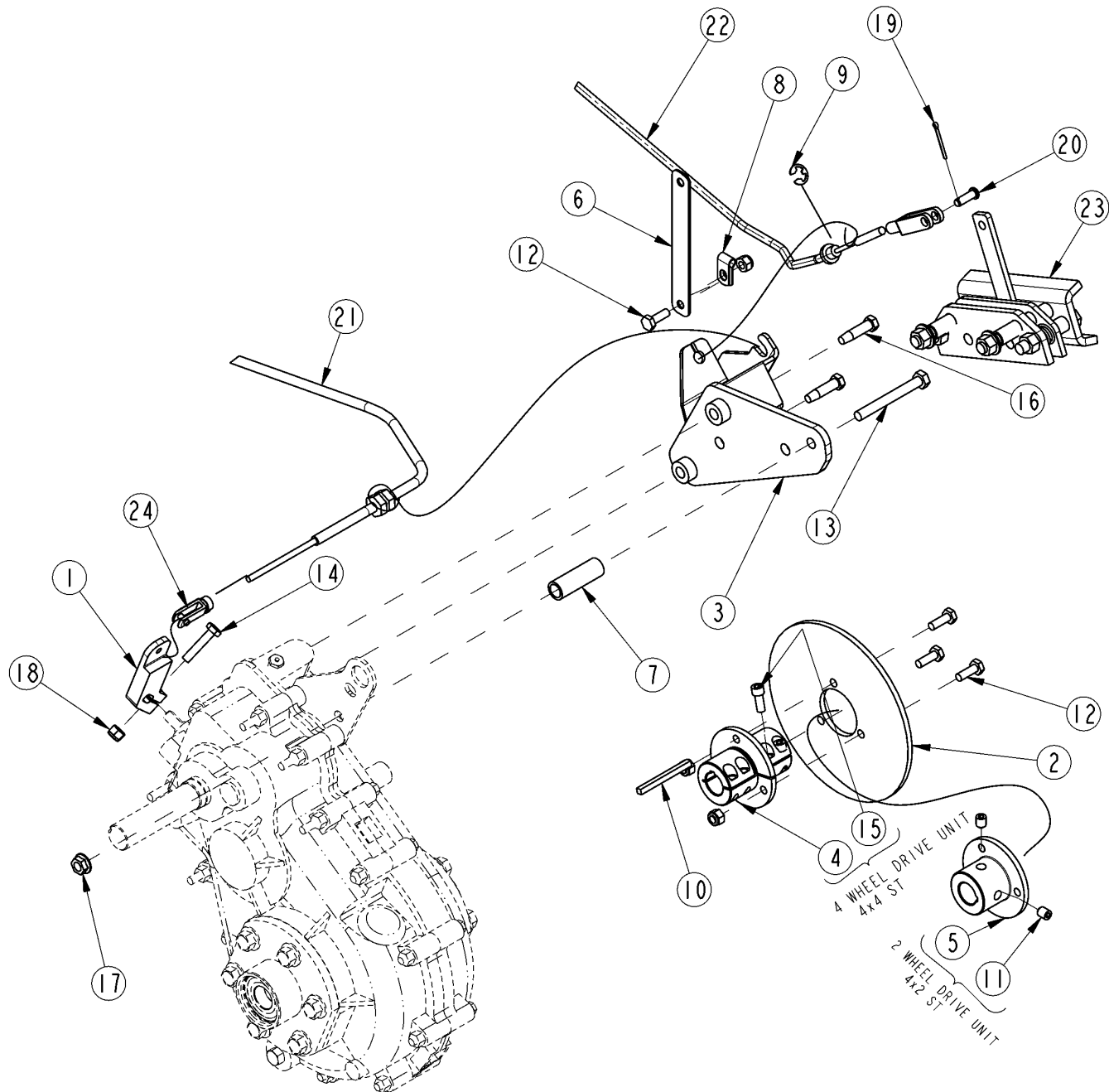
23796

Brake Park and Shifter Transaxle S/N 490317-**Applies to 4210ST, 4410ST**

Ref	Part No.	Part Description	Comments	Revision
	dwg23796	Drawing Image Number		
1.	700-288H	CALIPER MNT WLDMNT		
2.	700-378D	SHIFT LEVER		
3.	700-418D	BRAKE DISC		
4.	700-441D	CALIPER SPACER TUBE		
5.	700-446D	CLAMP COUPLING		
6.	700-449D	BRAKE HUB ADAPTER		
7.	800-347C	WIRING/TUBE CLIP FOR 1/4 OD		
8.	800-351C	E RETAINING RING EXTERNAL		
9.	800-366C	KEY .187 X .187 X 2.25 LG		
10.	801-035C	SCREW SET 5/16-18 SKT KP X 3/8		
11.	802-004C	HHCS 1/4-20X3/4 GR5		
12.	802-138C	HHCS 5/16-18X2 1/4 GR5		
13.	802-735C	HHCS 5/16-18X3/4 GR5 YELLOW DI		
14.	802-764C	HWH 5/16-18X3/4 THREAD-ROLLING		
15.	802-769C	HHCS 1/4-20X1 1/4 GR8		
16.	802-774C	HSHCS 1/4-28X5/8		
17.	803-177C	NUT HEX FLG TOP LK 5/16-18 YLW		
18.	803-255C	NUT HEX NYLOCK 1/4-20		
19.	803-269C	NUT HEX 10-32 PLT		
20.	804-054C	WASHER LOCK #10		
21.	805-342C	PIN CLEVIS 1/4 X 3/4		
22.	807-256C	SPRING EXT .438ODX1.5X.046W		
23.	815-202C	CALIPER MOUNT BRACKET		
24.	815-248C	PARK BRAKE CALIPER		
25.	840-270C	SHIFT CABLE (DASH)		
26.	840-271C	PARK BRAKE CABLE 105.00" LG		
27.	890-885C	BALL JOINT 10-32 IN SEAL		
28.	3000-1006	BRAKE LINING- 2 PADS		

Brake Park and Shifter Transaxle S/N 490318+

Applies to 4210ST, 4410ST



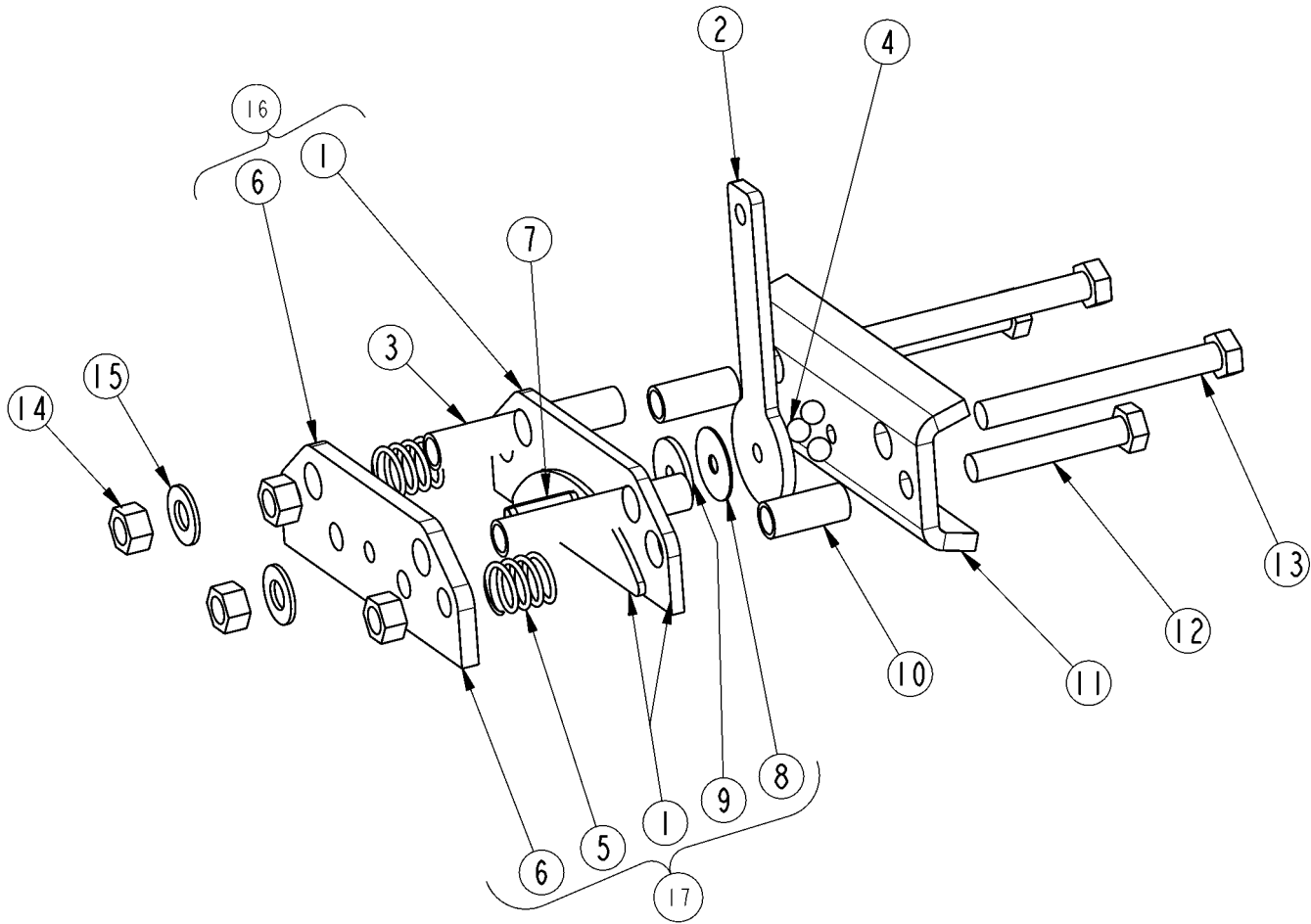
23878

Brake Park and Shifter Transaxle S/N 490318+**Applies to 4210ST, 4410ST**

Ref	Part No.	Part Description	Comments	Revision
	dwg23878	Drawing Image Number		
	700-4447	PARK BRAKE SERVICE KIT *	For (S/N 490317-)	
1.	700-378D	SHIFT LEVER		
2.	700-418D	BRAKE DISC		
3.	700-423H	CALIPER MOUNT BRACKET		
4.	700-446D	CLAMP COUPLING		
5.	700-449D	BRAKE HUB ADAPTER		
6.	700-524D	BRAKE CABLE CLIP PLATE		
7.	700-525D	CALIPER SPACER TUBE		
8.	800-347C	WIRING/TUBE CLIP FOR 1/4 OD		
9.	800-351C	E RETAINING RING EXTERNAL		
10.	800-366C	KEY .187 X .187 X 2.25 LG		
11.	801-035C	SCREW SET 5/16-18 SKT KP X 3/8		
12.	802-004C	HHCS 1/4-20X3/4 GR5		
13.	802-197C	HHCS 5/16-18X2 3/4 GR5		
14.	802-769C	HHCS 1/4-20X1 1/4 GR8		
15.	802-774C	HSHCS 1/4-28X5/8		
16.	802-809C	HWH 5/16-18X1 1/4 THREAD-ROLL		
17.	803-177C	NUT HEX FLG TOP LK 5/16-18 YLW		
18.	803-255C	NUT HEX NYLOCK 1/4-20		
19.	805-063C	PIN COTTER 3/32 X 1 LONG		
20.	805-342C	PIN CLEVIS 1/4 X 3/4		
21.	840-270C	SHIFT CABLE (DASH)		
22.	840-271C	PARK BRAKE CABLE 105.00" LG		
23.	840-312C	BRAKE CALIPER		
24.	890-884C	YOKE 10-32 W/ LOCK		

Brake Park Caliper Components

Applies to 4210ST, 4410ST



23884

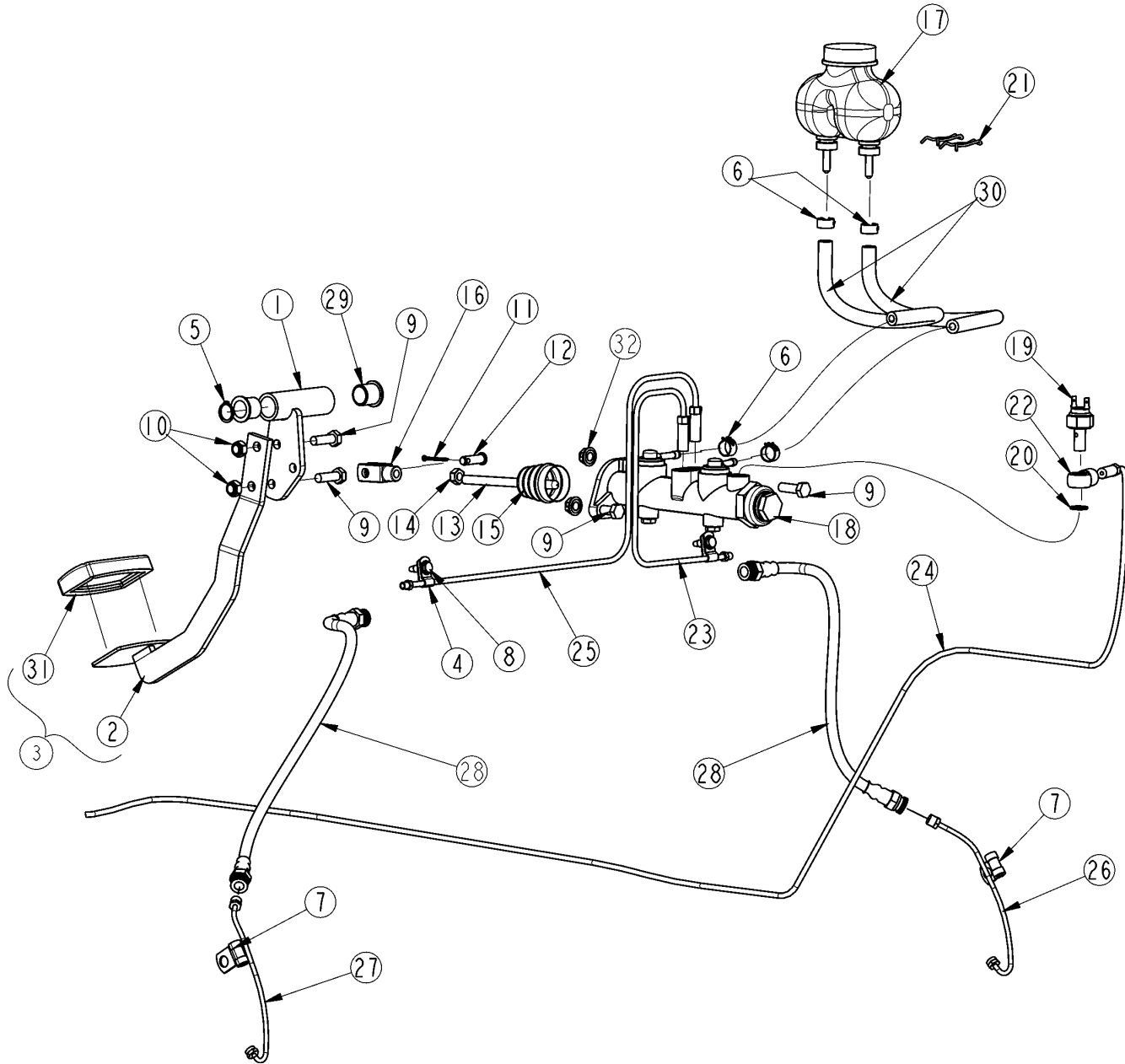
Brake Park Caliper Components

Applies to 4210ST, 4410ST

Ref	Part No.	Part Description	Comments	Revision
	dwg23884	Drawing Image Number		
	840-312C	BRAKE CALIPER *		
1.	82775	STATOR ASSEMBLY		
2.	82779	LEVER		
3.	82781	SLEEVE		
4.	82785	STEEL BALL		
5.	82788	COMPRESSION SPRING		
6.	82960	STATOR ASSEMBLY		
7.	82967	SPRING PIN SLOTTED		
8.	82968	SHIM		
9.	83113	THRUST WASHER		
10.	83465	SLEEVE		
11.	85578	STATIONARY ACTUATOR		
12.	802-382C	HHCS 3/8-16X2 1/4 GR5		
13.	802-781C	HHCS 3/8-16X3 1/2 GR8 PLT		
14.	803-123C	NUT HEX TOP LOCK 3/8-16 PLT		
15.	804-012C	WASHER FLAT 3/8 SAE PLT		
16.	PK-1660	BRAKE PAD REPLACEMENT KIT		
17.	PK-1584	CALIPER REPAIR KIT		

Brake System Front

Applies to 4210ST, 4410ST



21219

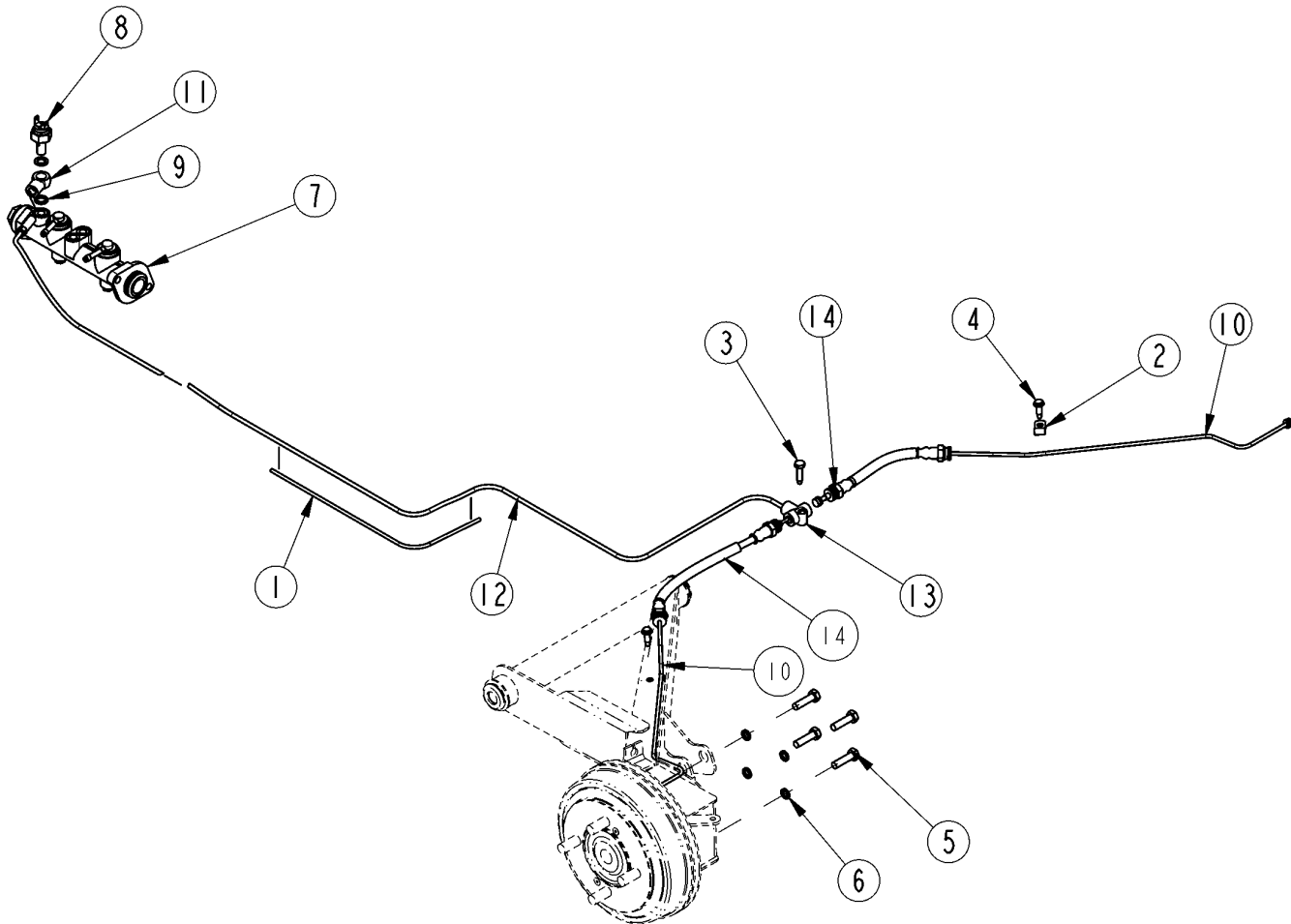
Brake System Front

Applies to 4210ST, 4410ST

Ref	Part No.	Part Description	Comments	Revision
	dwg21219	Drawing Image Number		
1.	700-056H	BRAKE PEDAL PIVOT WELDMENT		
2.	700-342H	BRAKE PEDAL ARM WELDMENT		
3.	700-341S	BRAKE PEDAL W/PAD ASSEMBLY		
4.	800-347C	WIRING/TUBE CLIP FOR 1/4 OD		
5.	800-355C	RETAINING RING 5/8 EXT.		
6.	800-356C	CLAMP PINCH FOR .50 OD HOSE		
7.	800-360C	HOSE CLAMP 1/4 ID		
8.	801-174C	HH DRILL SCREW 1/4 x 3/4 LG		
9.	802-738C	HHCS 5/16-18 x 1 GR5 YELLOW DIE		
10.	803-084C	NUT HEX NYLOCK 5/16-18 PLT		
11.	805-063C	PIN COTTER 3/32 x 1 LONG		
12.	805-066C	PIN CLEVIS 5/16 x 1		
13.	815-150C	MASTER CYLINDER PUSH ROD		
14.	815-151C	JAM NUT MASTER CYL. PUSH ROD		
15.	815-152C	MASTER CYLINDER BOOT		
16.	815-154C	MASTER CYLINDER CLEVIS		
17.	815-155C	DUAL RESERVOIR BRAKE FLUID W/CAP		
18.	815-156C	DUAL MASTER CYLINDER		
19.	815-157C	MASTER CYLINDER PRESS. SWITCH		
20.	815-158C	MSTR CYL CPPR WSHR 16X10X1.5MM		
21.	815-163C	MASTER CYLINDER RESERVOIR CLIP		
22.	815-167C	BULK HEAD FLOW THROUGH		
23.	815-173C	FRONT BRAKE LINE LH		
24.	815-175C	ST STEEL BRAKE LINE		
25.	815-174C	FRONT BRAKE LINE 21 1/4 RH ST		
26.	815-190C	FRNT BRAKE LINE END LH STEEL		
27.	815-196C	FRNT BRAKE LINE END RH STEEL		
28.	815-210C	BRAKE LINE RBR 17" M10 x 1 FEMALE		
29.	817-526C	BUSHING 3/4 OD x 5/8 ID x 3/4 FLG HD		
30.	840-104C	12.5" FUEL LINE/HYDRAULIC FLUID RESVOIR.		
31.	840-134C	BRAKE/ACCELERATOR PEDAL RUBBER		
32.	803-177C	NUT HEX FLG TOP LK 5/16-18 YLW		

Brake System Rear

Applies to 4210ST, 4410ST



23797

Brake System Rear

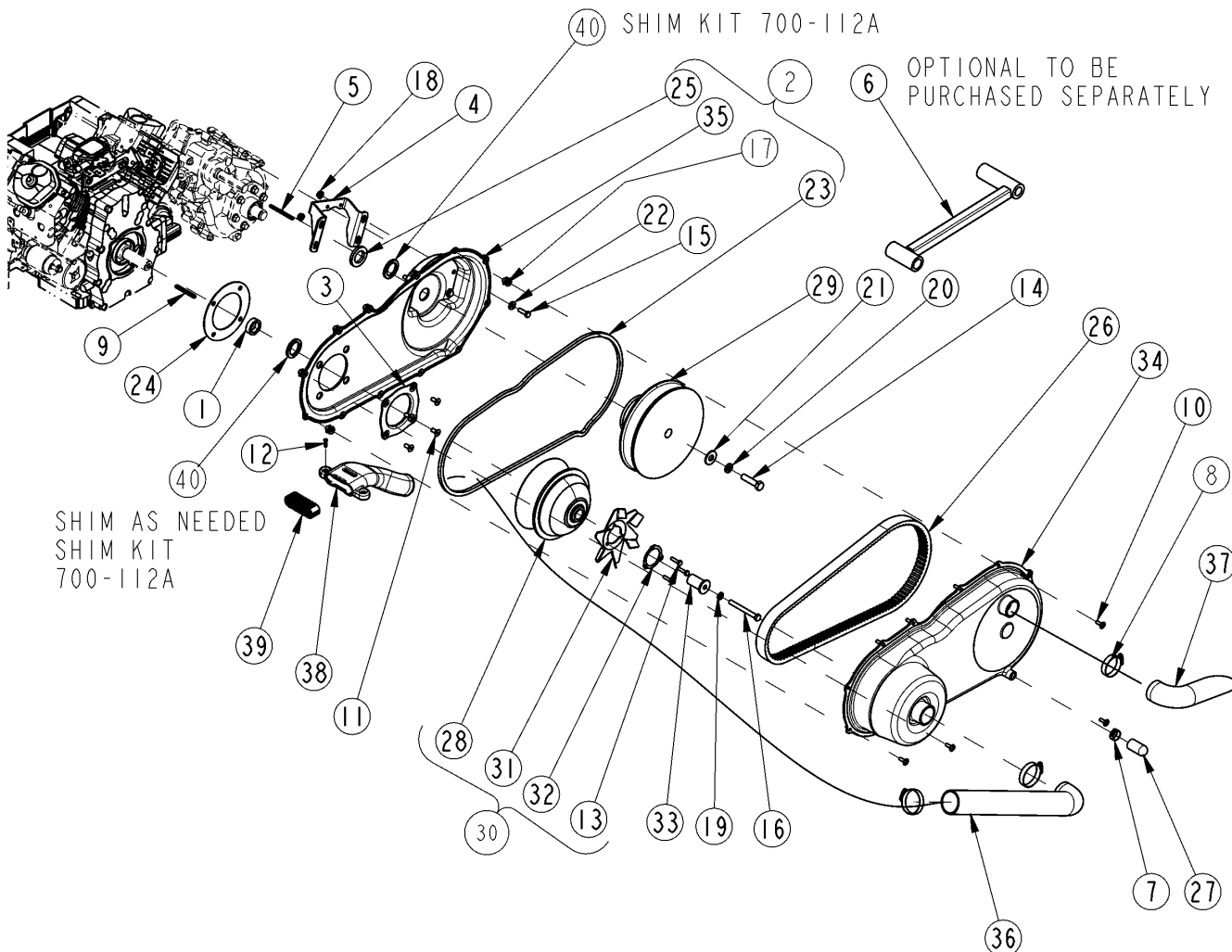
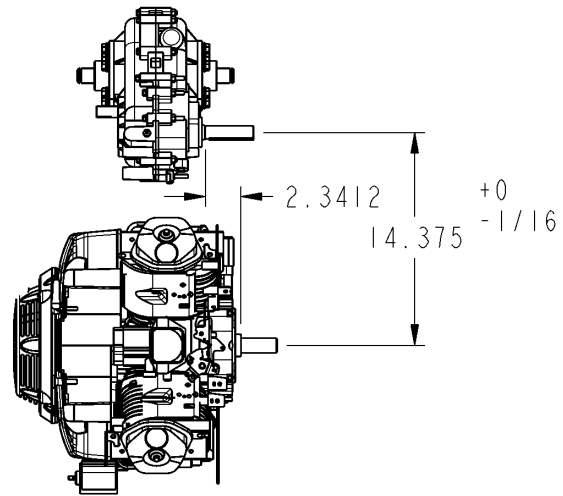
Applies to 4210ST, 4410ST

Ref	Part No.	Part Description	Comments	Revision
	dwg23797	Drawing Image Number		
1.	700-454D	COVER, BRAKE LINE 13.5"		
2.	800-347C	WIRING/TUBE CLIP FOR 1/4 OD		
3.	801-151C	SCR HEX SELF TAP 1/4-20X1TYPEF		
4.	801-174C	HH DRILL SCREW 1/4 X 3/4LG		
5.	802-731C	HHCS M8X1.25X30 GR10.9 ZNYCR		
6.	804-157C	WASHER SPRING LOCK M8 PLT		
7.	815-156C	DUAL MASTER CYLINDER		
8.	815-157C	MASTER CYLINDER PRESS. SWITCH		
9.	815-158C	MSTR CYL CPPR WSHR 16X10X1.5MM		
10.	815-165C	REAR BRAKE LINE 28.3		
11.	815-167C	BULK HEAD FLOW THROUGH		
12.	815-175C	ST STEEL BRAKE LINE		
13.	815-178C	FITTING 3 WAY HYD.		
14.	815-211C	REAR RUBBER BRAKE LINE		

Drive Belt Components

Applies to 4210ST, 4410ST

FOR CORRECT PULLEY ALIGNMENT
SHIM SHOULD OF TRANS-AXLE SHAFT
TO ENGINE SPACER COLLAR WITH AN
OFFSET DIMENSION OF 2.3412".
USE SHIM KIT #700-112A.



23821

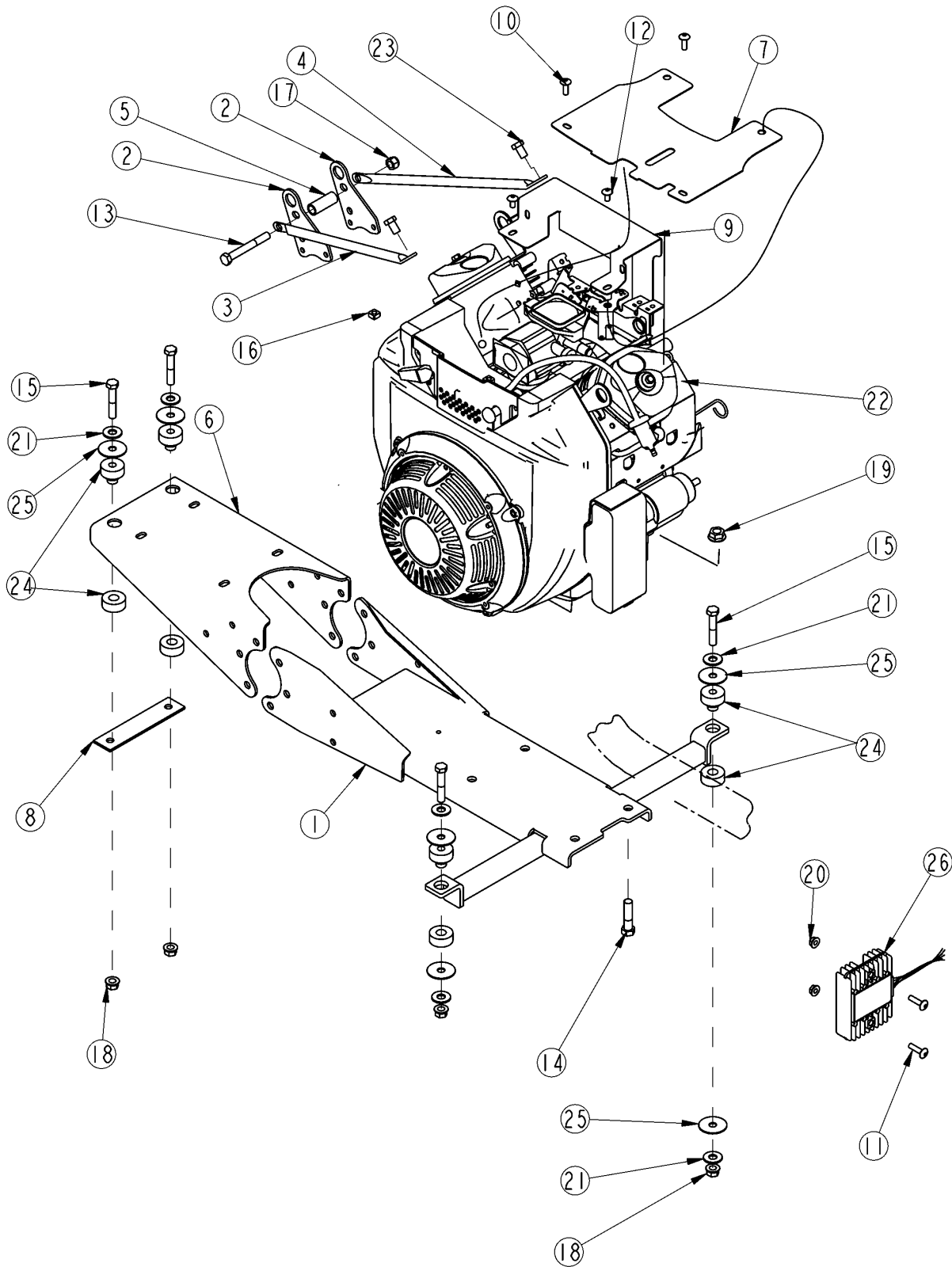
Drive Belt Components

Applies to 4210ST, 4410ST

Ref	Part No.	Part Description	Comments	Revision
	dwg23821	Drawing Image Number		
1.	700-215D	CVT SPACER		
2.	700-228S	ASSEMBLY, CVT INNER COVER		
3.	700-285D	PLATE, ENGINE SEAL		
4.	700-286D	BRACKET, CVT COVER TO TRANS.		
5.	710-097D	KEY 3/16 X 3		
6.	790-001A	TREKER ENGINE/TRANS ALIGNMENT	Optional	
7.	800-235C	SPRING CLAMP 1" OD HOSE		
8.	800-259C	CLAMP WRM DRV#36SS (1.81-2.75)		
9.	800-350C	KEY .187 X .247 X 2.5 LG		
10.	801-180C	TPHMS Y 1/4-20X3/4 YELLOW DIE		
11.	801-197C	HSFHCS 5/16-24 X 3/4, BLK		
12.	801-199C	SCR SELF TAP #10 X 3/4		
13.	802-005C	HHCS 1/4-20X1 GR5		
14.	802-320C	HHCS 1/2-20X2 GR5		
15.	802-738C	HHCS 5/16-18X1 GR5 YELLOW DIE		
16.	802-770C	HHCS 3/8-24X3 1/2 GR5 PLT		
17.	N/A	INSERT, 1/4-20 ARS4-420-280	Included with Ref. #2	
18.	803-177C	NUT HEX FLG TOP LK 5/16-18 YLW		
19.	804-013C	WASHER LOCK SPRING 3/8 PLT		
20.	804-015C	WASHER LOCK SPRING 1/2 PLT		
21.	804-017C	WASHER FLAT 1/2 USS PLT		
22.	804-135C	WASHER FLAT 5/16 NEOPRENE PLT		
23.	816-469C	SEAL, MAIN TRUCK CVT HOUSING		
24.	816-470C	SEAL, CVT TO ENGINE		
25.	816-471C	SEAL, CVT TO TRANSAXLE		
26.	816-512C	BELT, TRUCK CVT		
27.	817-621C	CAP, DRAIN 7/8 OD PORT		
28.	826-444C	CVT DRIVER		
29.	826-445C	CVT DRIVEN TRUCK 9 1/2"OD		
30.	826-474C	CVT, 780 DVR WITH FAN		
31.	826-475C	CVT COOLING FAN		
32.	826-483C	RING, LOCKING TAB		
33.	840-135C	ADAPTER CVT DRIVEN		
34.	840-218C	COVER, TRUCK SEALED CVT OUTER		
35.	N/A	COVER, TRUCK SEALED CVT INNER	Included with Ref. #2	
36.	840-239C	DUCT, TRUCK CVT AIR INLET		
37.	840-240C	DUCT, TRUCK CVT AIR OUTLET		
38.	840-266C	SNORKEL AIR INTAKE		
39.	840-268C	FILTER, AIR INTAKE		
40.	700-112A	CVT SHIM KIT		

Engine Mounting Honda 20HP

Applies to 4210ST, 4410ST



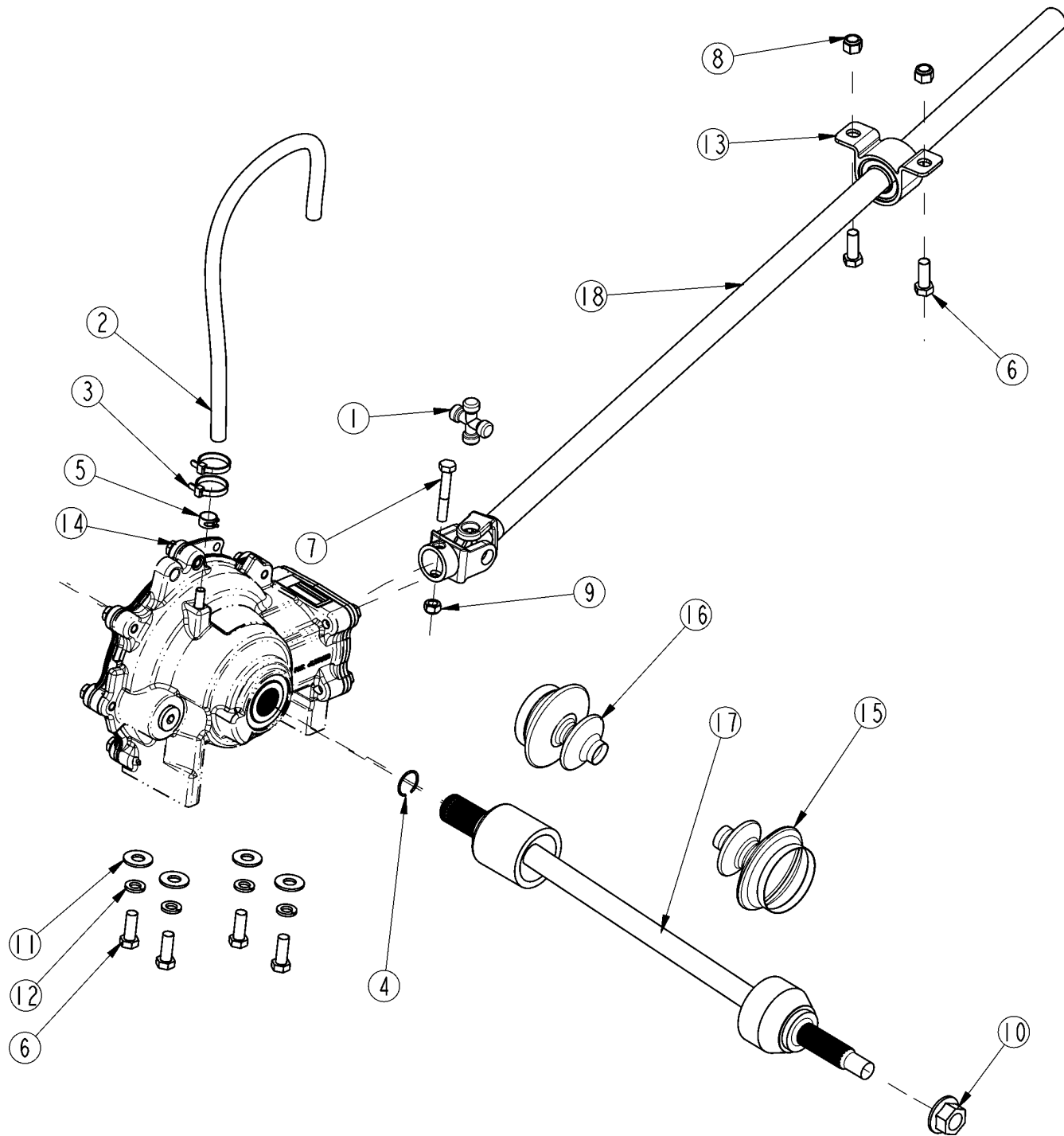
21240

Engine Mounting Honda 20HP**Applies to 4210ST, 4410ST**

Ref	Part No.	Part Description	Comments	Revision
	dwg21240	Drawing Image Number		
1.	700-059H	ENGINE MOUNT WELDMENT		
2.	700-074D	TRANS SUPPORT PLATE		
3.	700-075D	ENGINE SUPPORT TUBE, RIGHT		
4.	700-076D	ENGINE SUPPORT TUBE, LEFT		
5.	700-078D	SPACER		
6.	700-099D	TRANS MNT SUPPORT BRACKET ST		
7.	700-207S	COVER/ENGINE TOP ASSEMBLY		
8.	700-274D	SPACER PLATE, MOTOR MOUNT		
9.	700-356D	COVER THROTTLE LINKAGE		
10.	801-180C	TPHMS Y 1/4-20X3/4 YELLOW DIE		
11.	801-181C	TPHMS Y 1/4-20X1 YELLOW DIE		
12.	801-198C	TPHMS Y 1/4-20X1/2 YELLOW DIE		
13.	802-024C	HHCS 3/8-16X3 GR5		
14.	802-113C	HHCS 7/16-14X1 3/4 GR5		
15.	802-143C	HHCS 3/8-16X2 GR5		
16.	803-005C	NUT SQ 1/4-20 PLT		
17.	803-078C	NUT LOCK 3/8-16 NYLON INSERT		
18.	803-209C	NUT FLANGE LOCK 3/8-16 PLT		
19.	803-229C	NUT HEX FLANGE LOC 7/16-14 PLT		
20.	803-293C	NUT HEX FLNG T-LOCK 1/4-20 YLW		
21.	804-011C	WASHER FLAT 3/8 USS PLT		
22.	826-413C	HONDA ENGINE 20HP TRUCK	Non Warranty Replacement Part	
23.	839-122C	HFCS M8-1.25X20 10.9 HX FL ZN		
24.	840-080C	MOUNT MOTOR H SYTLE		
25.	840-108C	WASHER FENDER 1.5OD X.4IDX.06T		
26.	840-142C	VOLTAGE REGULATOR FOR 826-41		
		Honda Engine Information		
		NKG Spark Plug (Purchase Locally)	BPR2ES NGK2015	
		Honda Snap Ring (Throttle Cable)	90605-230-000	
		Honda Jet Kit (Elevation 0-4,999 ft. (Factory Installed)	99201-ZG8-1050	
		Honda Jet Kit (Elevation 5,000-7,999 ft.	99201-ZG8-1020	
		Honda Jet Kit (Elevation 8,000 ft and up)	99201-ZG8-1000	
		Honda Oil Filter	831-038C	
		*		
	700-245K	TREKER TUNE-UP KIT (5" FILTER)		

Front Differential Axleshaft and Driveshaft

Applies to 4410ST



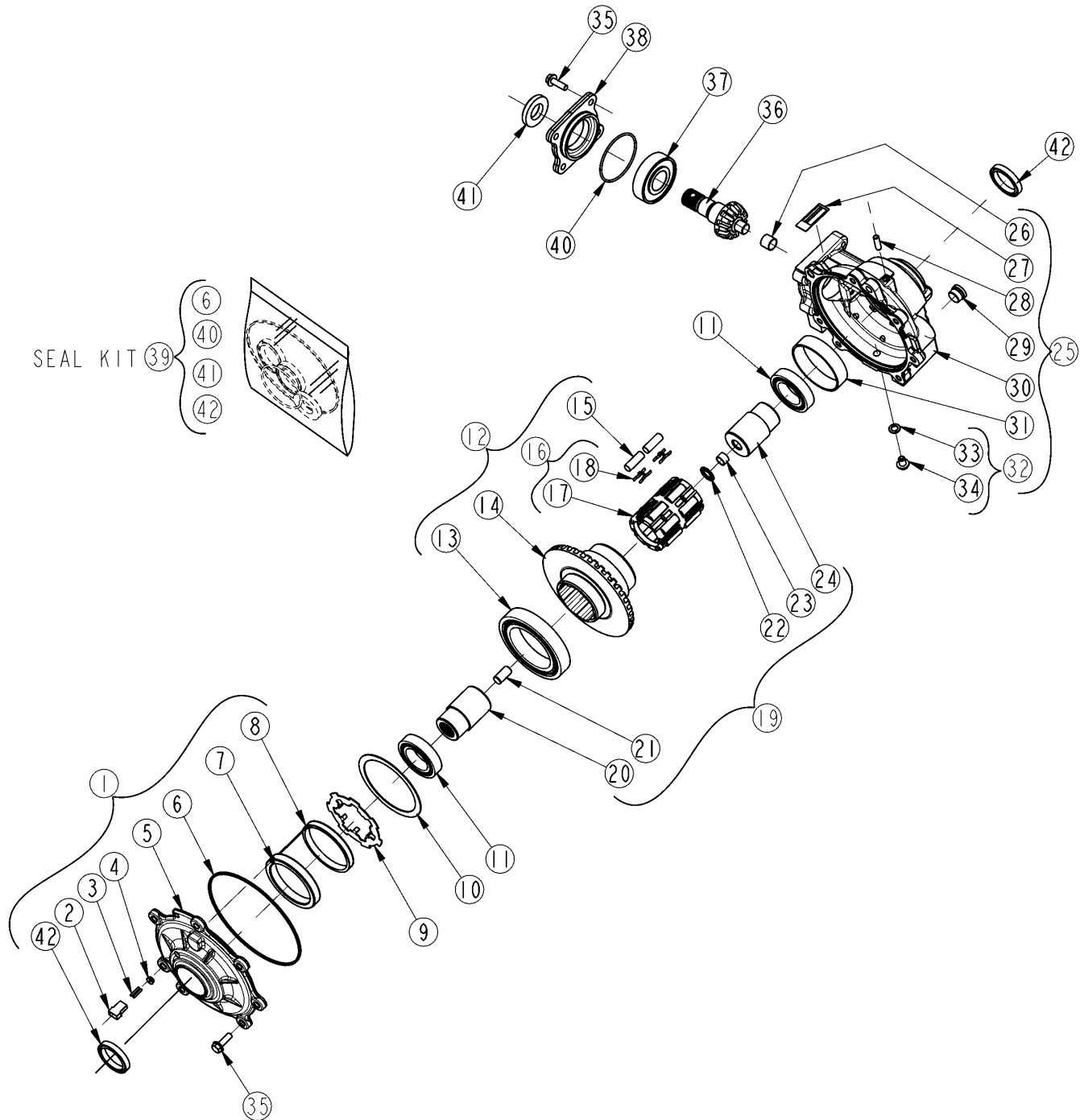
21229

Front Differential Axleshaft and Driveshaft**Applies to 4410ST**

Ref	Part No.	Part Description	Comments	Revision
		Image No. 21229		
1.	1-0170NPL	CROSS & BRG KIT		
2.	700-466D	VENT HOSE 17.5LG 4X4 GBOX		
3.	800-303C	CABLE TIE 2 DIA MIN - BLK		
4.	800-353C	SPRING CIR CLIP .95ODX.063WIRE		
5.	800-356C	CLAMP PINCH FOR .50 OD HOSE		
6.	802-017C	HHCS 3/8-16X1 GR5		
7.	802-115C	HHCS 5/16-18X2 GR5		
8.	803-078C	NUT LOCK 3/8-16 NYLON INSERT		
9.	803-084C	NUT HEX NYLOCK 5/16-18 PLT		
10.	803-332C	NUT HEX M16X1.5 TOP LOCK PLT		
11.	804-011C	WASHER FLAT 3/8 USS PLT		
12.	804-013C	WASHER LOCK SPRING 3/8 PLT		
13.	822-203C	PILLOW BLOCK BEARING TRUCK		
14.	826-398C	FRONT DIFFERENTIAL W/ELE CLTCH		
15.	5048	OUTER BOOT KIT W/ 2 CLAMPS		
16.	5051	INNER BOOT KIT W/2 CLAMPS		
17.	826-405C	FRONT AXLE SHAFT STANDARD		
18.	826-438C	DRIVELINE 4X4 NT/ST		

Front Differential Components

Applies to 4410ST



21232

Front Differential Components

Applies to 4410ST

Ref	Part No.	Part Description	Comments	Revision
	dwg21232	Drawing Image Number		
	826-398C	FRONT DIFFERENTIAL W/ELE CLTCH		
1.	6203-12-100	OUTPUT COVER PLATE ASSEMBLY	#1 Kit includes #2 to #8 & 42	
2.		MATE-N-LOK- HOUSING	Sold with #1 kit	
3.		MATE-N-LOK PIN	Sold with #1 kit	
4.		GROMMET, OUTPUT COVER	Sold with #1 kit	
5.		COVER PLATE, OUTPUT-MACHINED	Sold with #1 kit	
6.		O-RING, OUTPUT-164S (SQ. RING)	Sold with #1 kit & #39 kit	
7.		COIL POCKET INSERT	Sold with #1 kit	
8.		COIL W/PRESS FIT BOBBIN	Sold with #1 kit	
9.	6203-59-032-B	ARMATURE PLATE		
10.	6203-26-020-A	SHIM .05 THICK BRASS, HALF HARD		
11.	1215-02-038-T	6008-C3 DEEP GROOVE ROLLER BEARING 4£		
12.	6203-01-166	CLUTCH ASSEMBLY	#12 Kit includes #13 to #16	
13.	1215-02-141-T	6015-C3 DEEP GROOVE ROLLER BALL BEARING	Sold separately & with #12 kit	
14.	6203-13-124-D	CLTH.HSG./RNG GR., 42T 6.75DP	Sold separately & with #12 kit	
15.	6203-29-010-0	ROLL KIT	Sold separately & with #12 kit	
16.	6203-20-072	ROLL CAGE ASSEMBLY	#16 Kit includes #17 & #18	
17.		ROLL CAGE, PLASTIC-MACHINED	Sold separately & with #16 kit	
18.	6203-35-024-0	SPRING KIT, H-CLIP .008 THK	Sold separately & with #16 kit	
19.	6203-27-017-B	RACE/OUTPUT HUB ASSEMBLY	#19 Kit includes #20 to #21	
20.		RACE/OUTPUT HUB, FEMALE	Sold with #19 kit	
21.		PAP0806 PERMIGLIDE BUSHING	Sold with #19 kit	
22.	1242-00-009-T	TC815 NEEDLE ROLLER THRUST BEARING	Sold separately & with #19 kit	
23.	0430-01-002-T	1/2 DIA X 1 LG. DOWEL PIN	Sold separately & with #19 kit	
24.		RACE/OUTPUT HUB, MALE	Sold with #19 kit	
25.	6203-13-165	GEARCASE ASSEMBLY	#25 Kit includes #26 to #32	
26.		MB1615 DU BUSHING	Sold with #25 kit	
27.		LABEL, BAR CODE	Sold with #25 kit	
28.		TUBE, VENT 1/2 HOSE	Sold with #25 kit	
29.	0518-03-009-T	PLUG OIL FILL 3/4-16 HOLLOW HEAD	Sold separately & with #25 kit	Torque item #29 (PLUG OIL FILL 3/4-16 HOLLOW HD) 10 ft*lbs.
30.		GEARCASE, LH-MACHINED	Sold with #25 kit	
31.		BUSHNG, SELF LUBRICATING 80X85X20	Sold with #25 kit	
32.	6203-95-001-0	DRAIN PLUG ASSEMBLY	#32 Kit includes #33 & #34	
33.		WASHER, .625X.06, NYLON 6/6	Sold with #32 kit	
34.		PLUG, OIL DRAIN, 3/8-16HH FLANGE	W/MAG. TIP Sold with #32 kit; Torque item #34 (PLG,OIL DRAIN,3/8-16HH FLNGE W/M) 9 ft*lbs.	
35.	6203-93-001-0	BOLT KIT		Torque item #35 (5/16" x 1" Hex Head Bolts) 17 ft*lbs.
36.	6203-47-024-B	SHAFT PNION 11T3.75DP, MACHINED		
37.	1215-02-154-T	6306-03-C3 DP GROOVE	ROLLER BALL BEARING	
38.	6203-12-064-B	COVER PLATE, INPUT-MACHINED		
39.	6203-56-001-0	MINOR REPAIR KIT	#39 Kit includes #6 & #40 to #42	
40.		O-RING, INPUT, 148S	Sold with #39 kit	
41.		25X47X8 TRIPLE LIP OIL SEAL	Sold with #1 kit & #39 kit	
42.		40X52X7TC OIL SEAL, OUTPUT	Sold with #39 kit	
		*		
		*		
		IMPORTANT NOTES:		
		1. Torque 3/4" oil drain plug (Item #29) to 10 ft. lbs.		
		2. Torque 3/8" oil drain plut (Item #34) to 9 ft. lbs.		

Front Differential Components (continued)

Applies to 4410ST

Ref	Part No.	Part Description	Comments	Revision
		3. Torque 5/16" x 1" bolts (Item #35) to 17 ft. lbs.		
		4. Use command track gen2 gear lube part # 821-061C or Mobil 424		
		5. Gear lube capacity = 5 oz.		

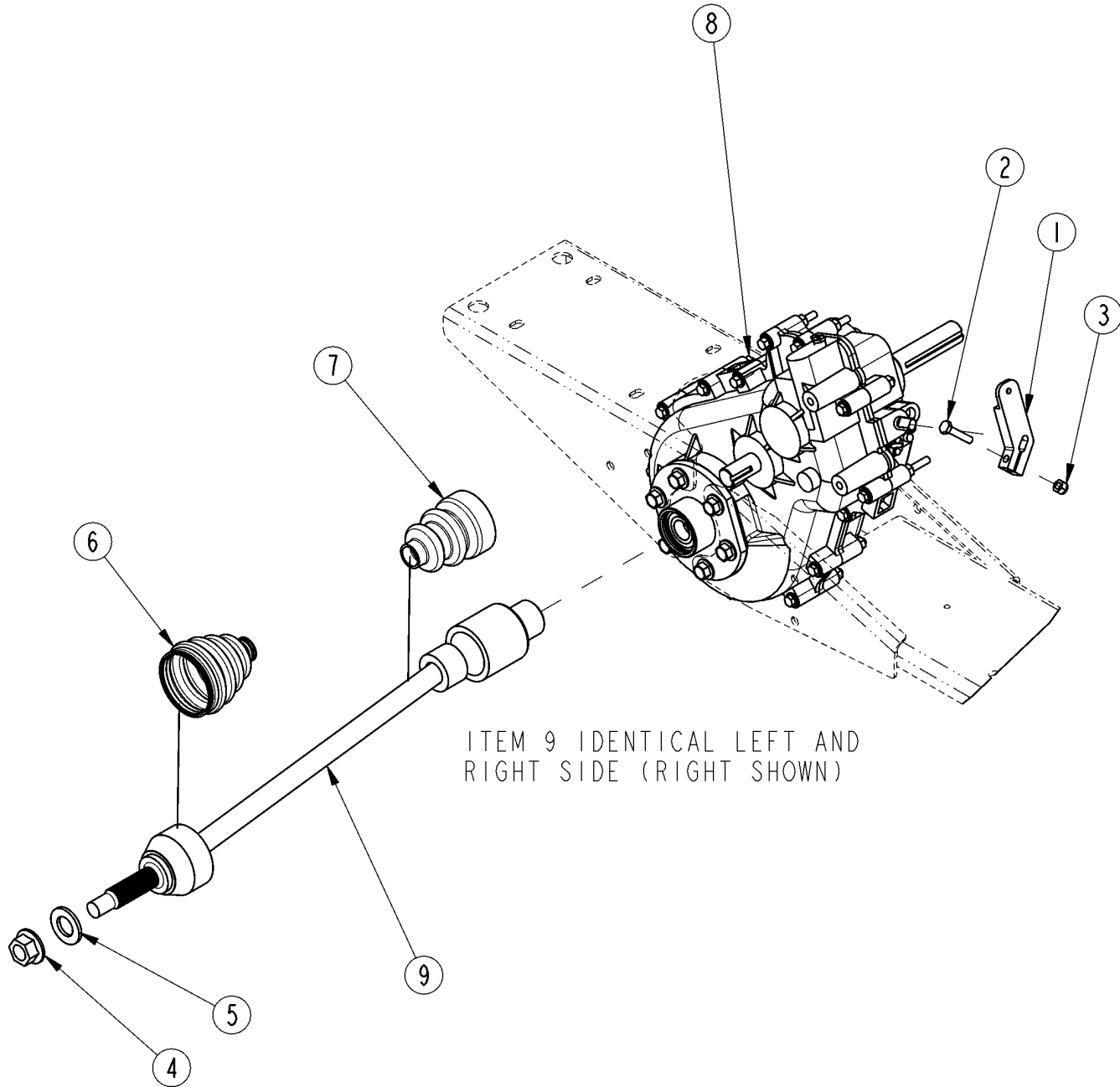
Front Differential Components (continued)

Applies to 4410ST

This Page Intentionally Left Blank

Transaxle Rear and Axle Shafts

Applies to 4210ST, 4410ST



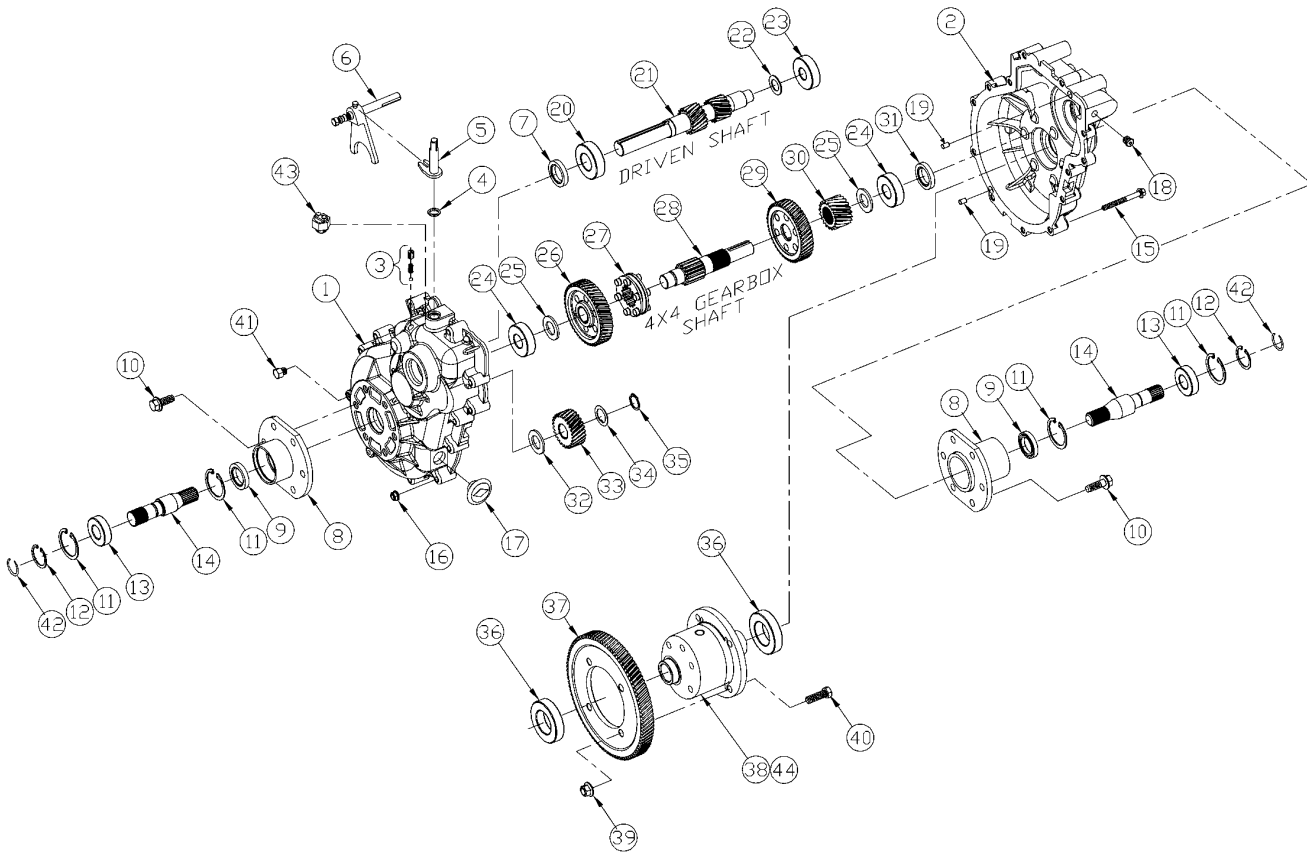
Transaxle Rear and Axle Shafts

Applies to 4210ST, 4410ST

Ref	Part No.	Part Description	Comments	Revision
	dwg23834	Drawing Image Number		
1.	700-378D	SHIFT LEVER		
2.	802-769C	HHCS 1/4-20X1 1/4 GR8		
3.	803-255C	NUT HEX NYLOCK 1/4-20		
4.	803-332C	NUT HEX M16X1.5 TOP LOCK PLT		
5.	804-025C	WASHER FLAT 3/4 SAE PLT		
6.	5048	OUTER BOOT KIT W/ 2 CLAMPS		
7.	5051	INNER BOOT KIT W/2 CLAMPS		
8.	826-454C	TRANSAXLE W/ AUTO-LOCK DIFF.		
9.	826-456C	REAR AXLE SHFT ST, 24T INT.SPL		

Transaxle Rear Components

Applies to 4210ST, 4410ST



23843

Transaxle Rear Components

Applies to 4210ST, 4410ST

Ref	Part No.	Part Description	Comments	Revision
	dwg23843	Drawing Image Number		
	826-454C	TRANSAXLE W/ AUTO-LOCK DIFF.		
1.	012CH291-2X	DANA HOUSING AND SHAFT ASSBLY		
2.	012CH289	DANA HOUSING-AXLE FIN		
3.	012LK133	DANA KIT, DETENT		
4.	012HH122	DANA SEAL - OIL		
5.	012GV164-X	DANA ACTUATOR ASSY		
6.	012SV118-X	DANA SHIFT ROD SUB-ASSY		
7.	012HH128	DANA SEAL - OIL		
8.	012TA378	REAR TUBE ASSY		
9.	012HH107	SEAL - OIL		
10.	026HM107	DANA SCREW - FLG HEAD		
11.	840293	DANA RING, RETAINING		
12.	012HR133	RING - RETAINER		
13.	012HD106	BEARING - BALL SINGLE		
14.	012SR172	SHAFT - AXLE, FIN		
15.	012HM110-1	DANA SCREW - FLG HEAD		
16.	012HN120	DANA NUT - LOCK		
17.	41356	DANA PLUG - RUBBER		
18.	012HN140	DANA VENT PLUG		
19.	012HP120	DANA PIN - DOWEL		
20.	585965	DANA BEARING 6205		
21.	012GS307	DANA SHAFT - INPUT FIN		
22.	012LK134	DANA KIT, SHIM		
23.	012HD111	DANA BEARING -6303 BALL SINGLE		
24.	012HD129	DANA BEARING -6204 BALL SINGLE		
25.	012HS121	DANA SPACER - FLAT		
26.	012GS202-X	DANA GEAR ASSY - FORWARD		
27.	012GS302	DANA GEAR - CLUTCH		
28.	012GS337	DANA SHAFT - INTERMEDIATE FIN		
29.	012GS204-X	DANA GEAR ASSY - REVERSE		
30.	012GS215	DANA GEAR - HELICAL FIN		
31.	012HH140	DANA SEAL - OIL		
32.	012HS125	DANA WASHER - THRUST		
33.	012GS207-X	DANA GEAR ASSY - IDLER		
34.	012HS126	DANA WASHER - THRUST		
35.	012HR128	DANA RING - SNAP		
36.	585994	DANA BEARING 6007		
37.	012GS216	DANA GEAR - HELICAL FIN		
38.	826-458C	DIFFERENTIAL, AUTO-LOCK		
39.	012HN138	DANA NUT - LOCK		
40.	012HM129	DANA BOLT - HEX		
41.	012HG145	DANA DRAIN PLUG		
42.	012HR132	RETAINER - SHAFT, AXLE		
43.	5803	SWITCH, NEUTRAL, DANA GBOX		
44.	700-518A	AUTO-LOK KIT	Kit includes 1 ea. #38, 4 ea. #39 & 4 ea. #40	

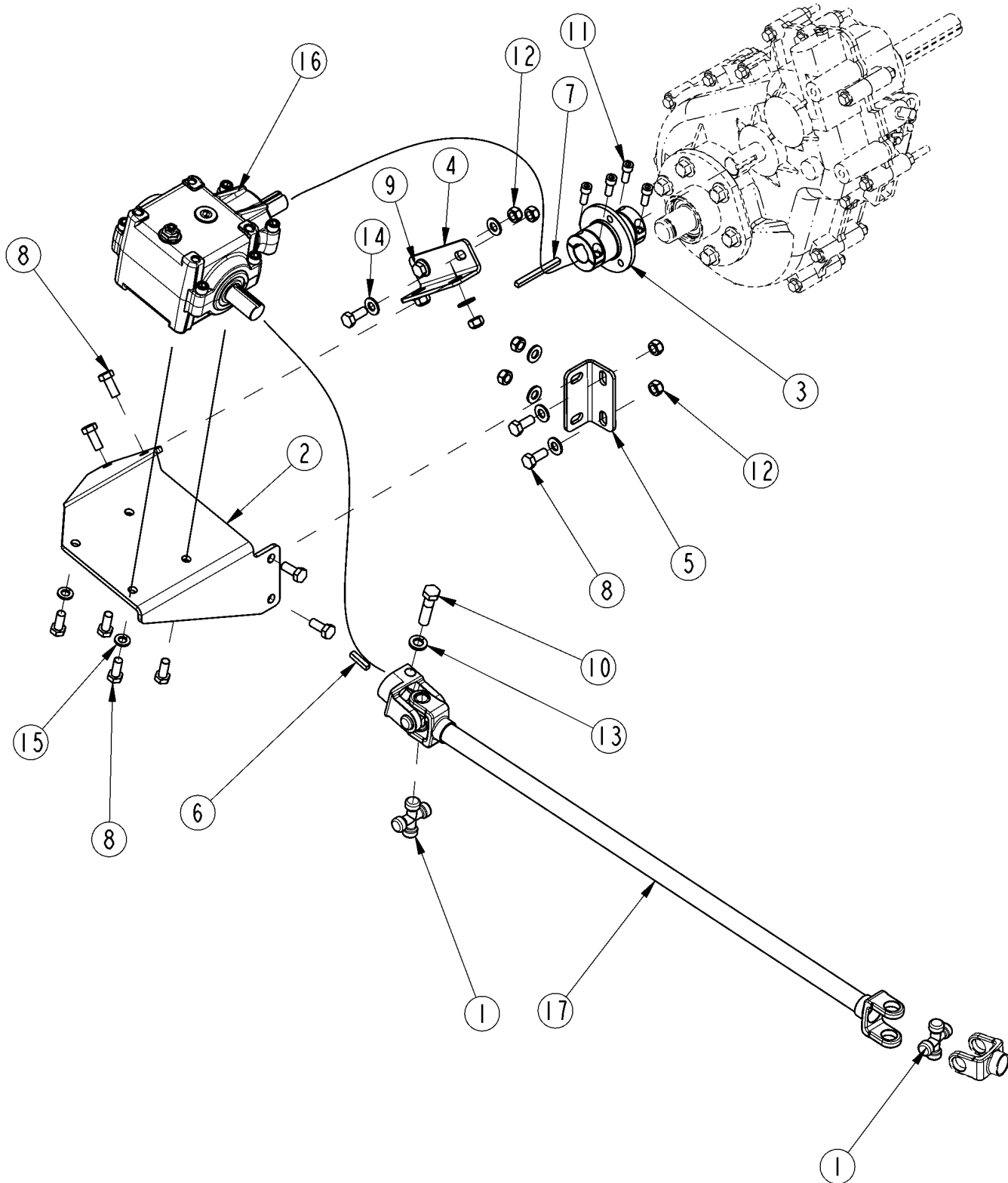
*

NOTES:

1. USE Mobil 424
2. GEAR LUBE CAPACITY = 20 TO 24 FL. OZ.
3. USE LOCTITE 518 AS A GASKET BETWEEN HOUSINGS #1 & #2 AND BETWEEN REAR TUBE ASSY #8 AND HOUSINGS #1 & #2.

Transfer Case and Rear Driveshaft

Applies to 4410ST



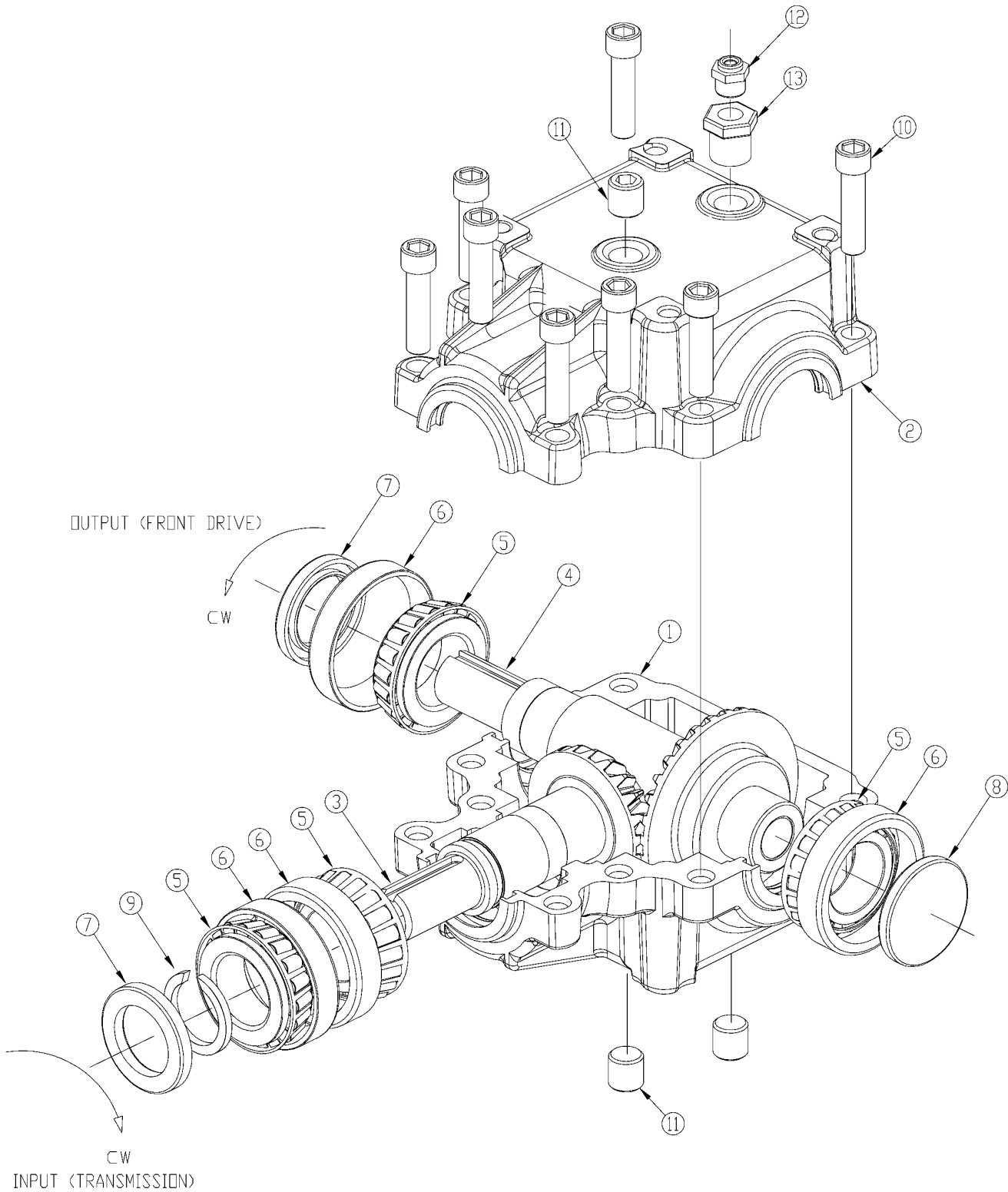
23833

Transfer Case and Rear Driveshaft**Applies to 4410ST**

Ref	Part No.	Part Description	Comments	Revision
	dwg23833	Drawing Image Number		
1.	1-0170NPL	CROSS & BRG KIT		
2.	700-408D	GEAR BOX MNT PLATE		
3.	700-446D	CLAMP COUPLING		
4.	700-447D	MOUNT BRACKET GEARBOX REAR		
5.	700-448D	MOUNT BRACKET GEARBOX FRONT		
6.	800-296C	KEY 3/16 X 7/8		
7.	800-366C	KEY .187 X .187 X 2.25 LG		
8.	802-735C	HHCS 5/16-18X3/4 GR5 YELLOW DI		
9.	802-738C	HHCS 5/16-18X1 GR5 YELLOW DIE		
10.	802-758C	HHCS 3/8-24X1 1/2 GR8 PLT		
11.	802-774C	HSHCS 1/4-28X5/8		
12.	803-084C	NUT HEX NYLOCK 5/16-18 PLT		
13.	804-013C	WASHER LOCK SPRING 3/8 PLT		
14.	804-084C	WASHER FLAT 5/16 HARD ASTM F436		
15.	804-201C	WASHER LOCK SPRING 5/16 YELLOW		
16.	826-417C	GBOX MODEL R100 1.5TO1 RATIO		
17.	826-419C	REAR HALF DRIVELINE 4X4 ST		

Transfer Case Components

Applies to 4410ST



21237

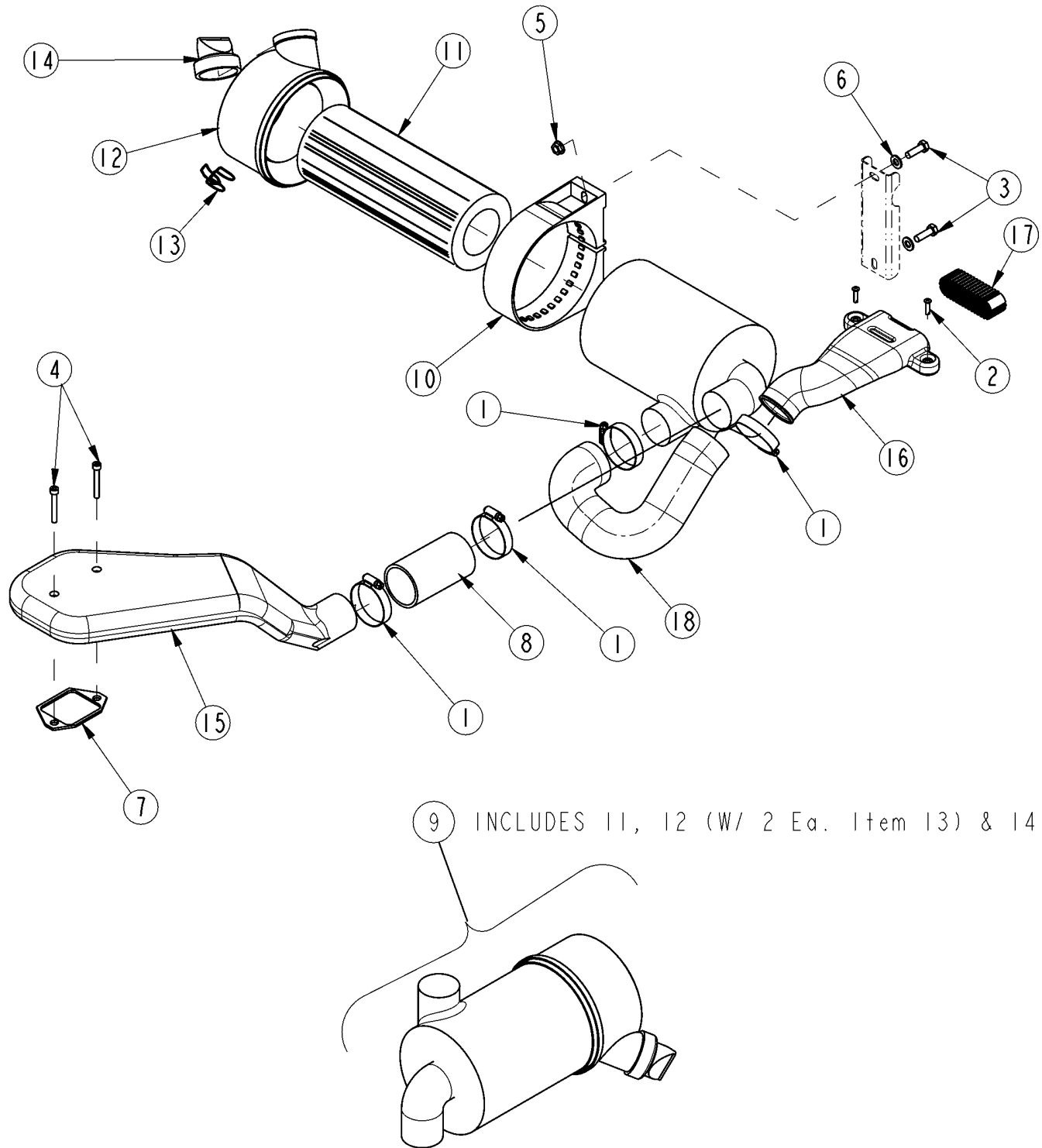
Transfer Case Components

Applies to 4410ST

Ref	Part No.	Part Description	Comments	Revision
	dwg21237	Drawing Image Number		
	826-417C	GBOX MODEL R100 1.5TO1 RATIO		
1.	R100-003M-A0427	HOUSING, R100 MACHINED TAP STD		
2.	R100-004M-A0428	HOUSING, R100 MACHINED THRU STD		
3.	R100-8B00-A0471	STUB SHAFT/GEAR ASSEMBLY		
4.	R100-8B00-A0473	SUPERIOR CROSS SHAFT/GEAR ASSEMBLY		
5.	244643	BEARING, CONE1.00VN-L44643		
6.	244610	BEARING, CUP 1.98VN-L44610		
7.	109843	SEAL, 1-1.5-.187(R)TC		
8.	100301	CAP, CP-1.5 -.187D#7647		
9.	203293	RTN RING EXT1.000 SHAFT		
10.	103125	BOLT 5/16-18 X 1.25 SHCS		
11.	200300	PLUG 1/4-18NPT SCHD		
12.	2003PR	PLUG VENT 5PSIV/N005677		
13.	2003VB	BUSHING 1/4NPT X 1/8 NPT		
		*		
		*		
		IMPORTANT NOTES:		
		1. Use S.A.E 80/90 wt. GL-5 lube.		
		2. Oil capacity = 6 oz.		

Air Cleaner

Applies to 4210ST, 4410ST



23822

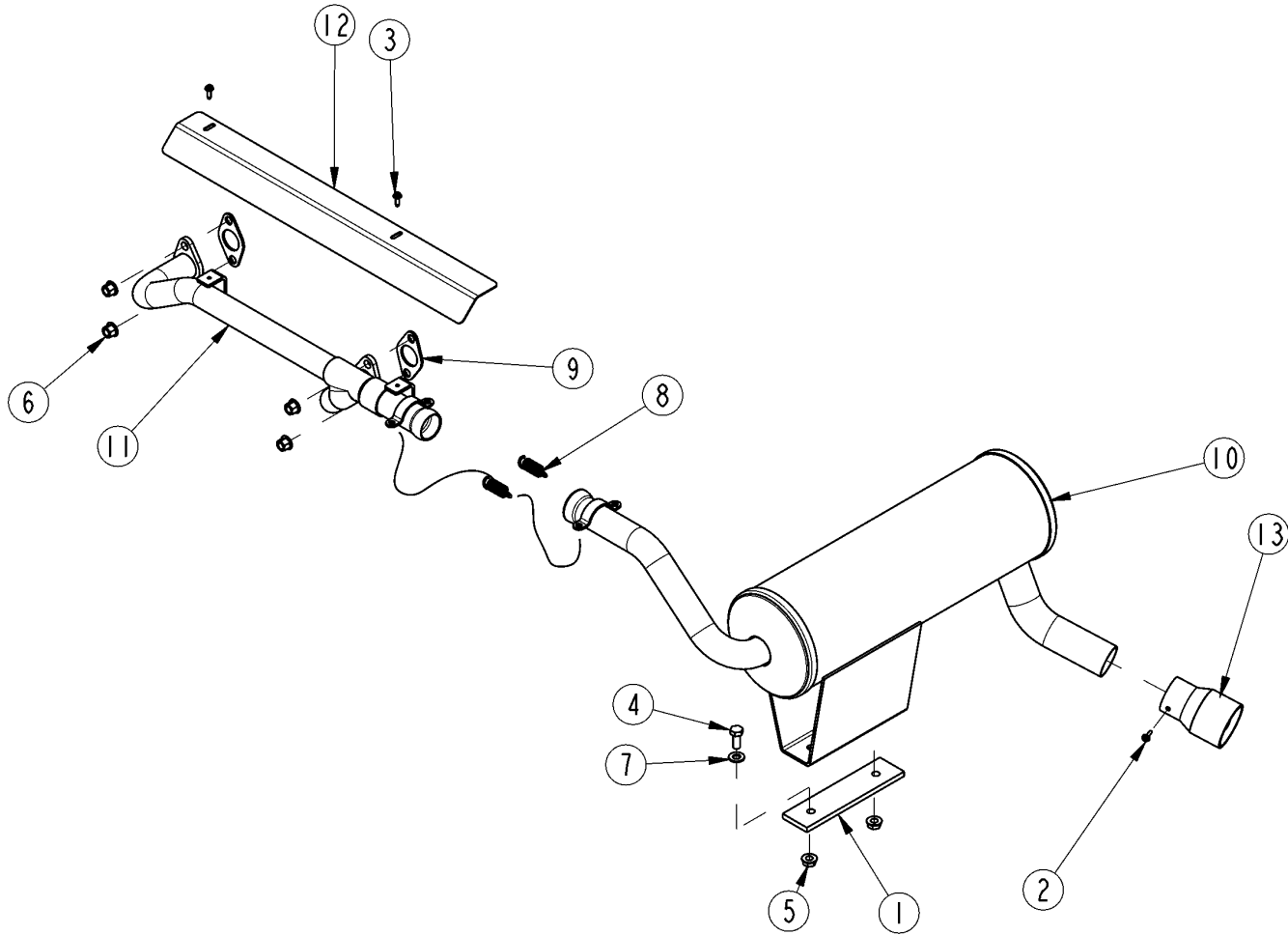
Air Cleaner

Applies to 4210ST, 4410ST

Ref	Part No.	Part Description	Comments	Revision
	dwg23822	Drawing Image Number		
1.	800-259C	CLAMP WRM DRV#36SS (1.81-2.75)		
2.	801-199C	SCR SELF TAP #10 X 3/4		
3.	802-738C	HHCS 5/16-18X1 GR5 ZNYCR		
4.	802-752C	HSHCS M6X1X45 GR8.8		
5.	803-177C	NUT HEX FLG TP LK 5/16-18ZNYCR		
6.	804-084C	WASHER FLAT 5/16 HARD ASTM F436		
7.	816-421C	GASKET-ENGINE AIR INTAKE TRUCK		
8.	816-522C	HOSE, 2" ID X 4" LONG		
9.	839-309C	DNLDSN AC ASSY W/FLTR G057514		
10.	839-311C	DNLDSN AIR CLNR CLAMP PPGF30		
11.	839-323C	FILTER AIR OUTER ELEMENT		
12.	839-375C	DNLDSN COVER W/LATCHES P533761		
13.	839-376C	DNLDSN LATCH P538928		
14.	839-377C	DNLDSN VACUATOR (BURP) P522958		
15.	840-072C	AIR INTAKE PLASTIC ST TRUCK		
16.	840-266C	SNORKEL AIR INTAKE		
17.	840-268C	FILTER, AIR INTAKE		
18.	840-298C	HOSE AIR INTAKE		

Exhaust Components

Applies to 4210ST, 4410ST



22118

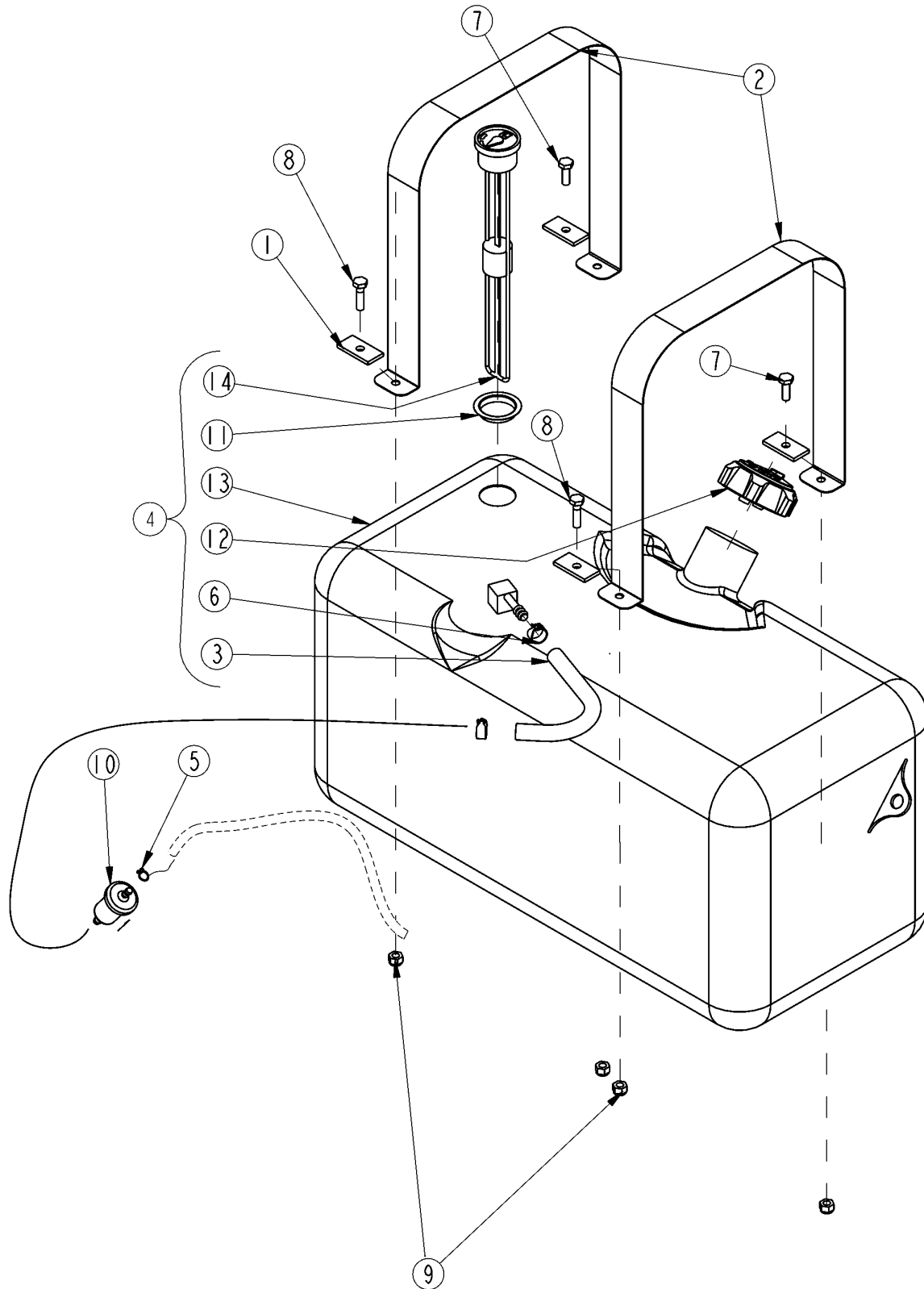
Exhaust Components

Applies to 4210ST, 4410ST

Ref	Part No.	Part Description	Comments	Revision
	dwg22118	Drawing Image Number		
1.	700-517D	SHIM, MUFFLER MOUNTING	As Required	
2.	801-183C	SCREW HEX SLT 8-18X1/2 PLT		
3.	801-193C	SCREW HEX #8 X 1/2 SELF TAP		
4.	802-735C	HHCS 5/16-18X3/4 GR5 YELLOW DI		
5.	803-177C	NUT HEX LOCK 5/16-18 FLG.		
6.	803-220C	NUT HEX FLANGE M8X1.25 PLT		
7.	804-084C	WASHER FLAT 5/16 HARD ASTM436		
8.	807-219C	SPRING EXT. .5ODX1.68LGX.08W		
9.	839-383C	GASKET MUFFLER HONDA 20HP		
10.	839-401C	HONDA 20 HP ENGINE MUFFLER	Includes #13	
11.	839-402C	HONDA 20 HP ENGINE MANIFOLD		
12.	839-403C	EXHAUST HEAT SHEILD 20 HP		
13.	840-315C	SPARK ARRESTER WITH SCREW		

Fuel System Components

Applies to 4210ST, 4410ST



21245

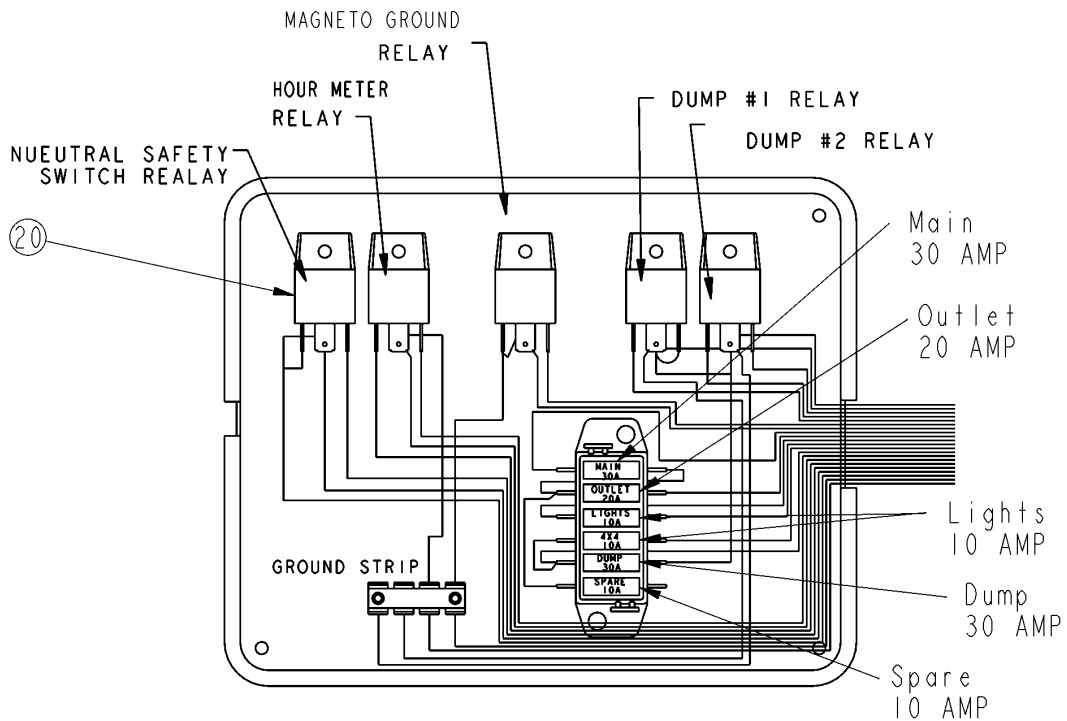
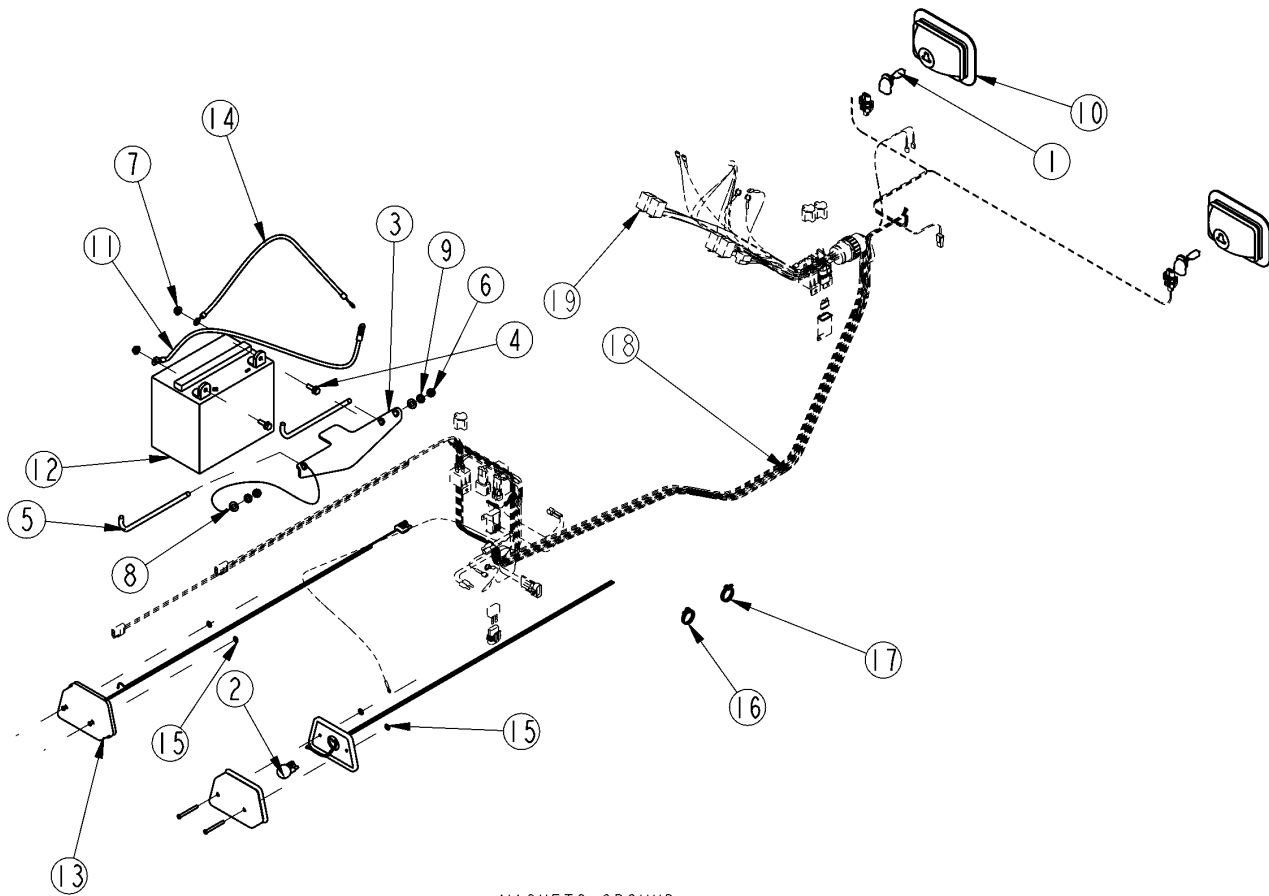
Fuel System Components

Applies to 4210ST, 4410ST

Ref	Part No.	Part Description	Comments	Revision
	dwg21245	Drawing Image Number		
1.	700-017D	GAS TANK MOUNT SPACER		
2.	700-175D	GAS TANK STRAP, WIDE		
3.	700-213D	FUEL LINE 9" ST MODEL		
4.	700-368S	ST FUEL TANK ASSY		
5.	800-007C	PINCH CLAMP HONDA .32OD HOSE		
6.	800-356C	CLAMP PINCH FOR .50 OD HOSE		
7.	802-004C	HHCS 1/4-20X3/4 GR5		
8.	802-005C	HHCS 1/4-20X1 GR5		
9.	803-255C	NUT HEX NYLOCK 1/4-20		
10.	831-035C	HONDA FUEL FILTER		
11.	839-297C	GROMMET FOR FUEL GAUGE		
12.	839-298C	FUEL CAP TALL		
13.	839-301C	FUEL TANK 8 GALLON ST		
14.	839-302C	FUEL GAUGE		

Electrical Wiring

Applies to 4210ST, 4410ST



23842

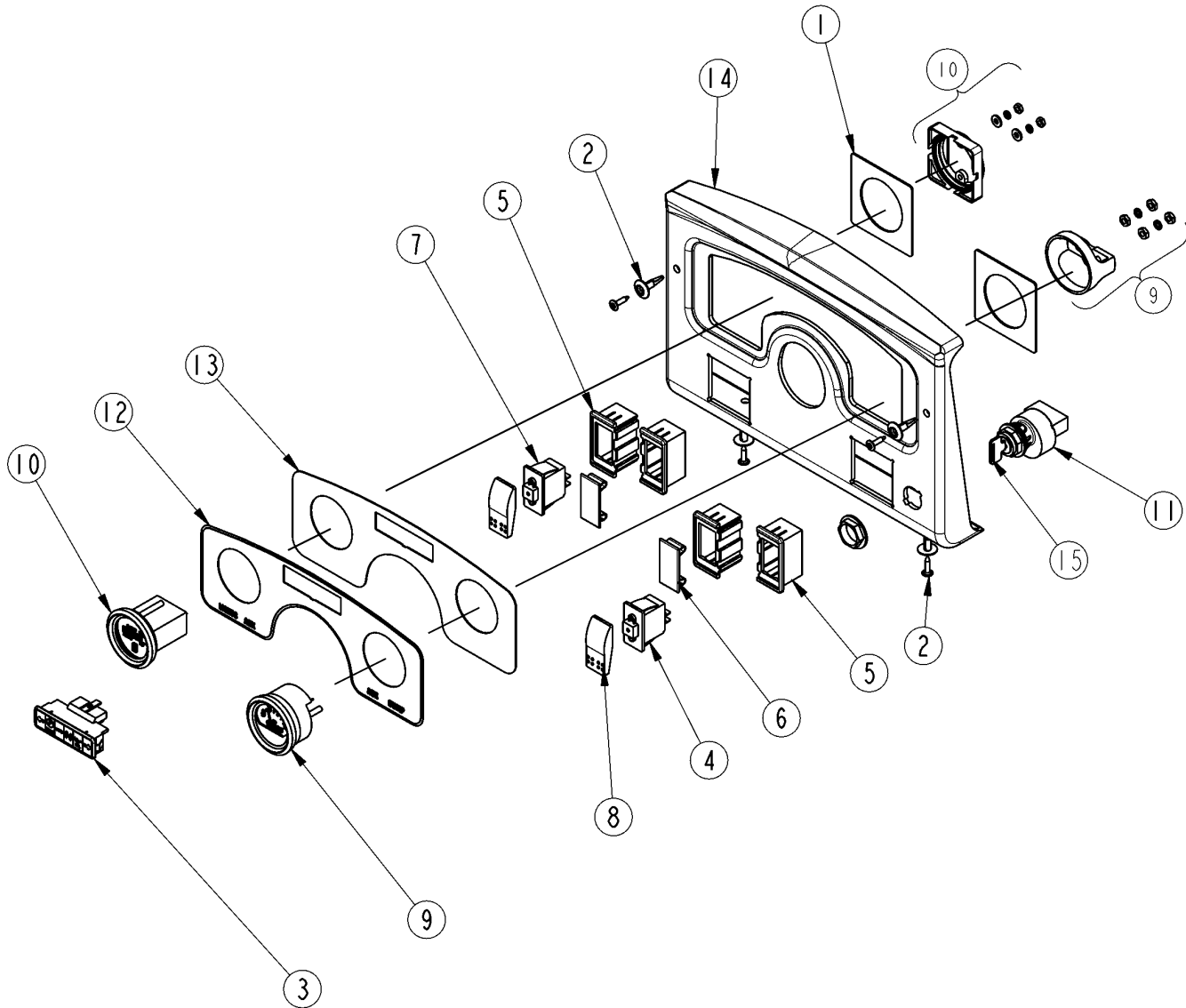
Electrical Wiring

Applies to 4210ST, 4410ST

Ref	Part No.	Part Description	Comments	Revision
	dwg23842	Drawing Image Number		
1.	N/A	HEADLIGHT BULB 37.5 WATT	894	
2.	N/A	TAILLIGHT BULB 1157	1157	
3.	700-456D	HOLDOWN, BATTERY ST		
4.	802-257C	HFSS 1/4-20X3/4 GR5		
5.	802-793C	SP HOOK 5/16-18X9X3 THREAD		
6.	803-008C	NUT HEX 5/16-18 PLT		
7.	803-293C	NUT HEX FLNG T-LOCK 1/4-20 YLW		
8.	804-036C	WASHER FLAT 5/16 SAE PLT		
9.	804-201C	WASHER LOCK SPRING 5/16 YELLOW		
10.	833-255C	HEADLIGHT W/TRAP LENS 37.5WATT		
11.	833-256C	BATTERY CABLE POSITIVE 15 INCH		
12.	N/A	BATTERY BUY LOCALLY	BCI Group U1/U1R, Min. 300CA	
13.	833-337C	TAIL LIGHT WITH STANDARD LEAD		
14.	833-303C	20" 6GA NEGATIVE BLACK CABLE		
15.	840-105C	PUSH RETAINERS 4 NON-THRD SHFT		
16.	800-060C	CABLE TIE .19X14.25 3DIA 50LB		
17.	800-303C	CABLE TIE 2 DIA MIN - BLK		
18.	833-372C	WIRING HARNESS, MAIN ST		
19.	833-373C	WIRE HARNESS INSTRUMENT PANEL		
20.	0-332-209-150	RELAY BOSCH		

Instrument Panel, 4 x 2

Applies to 4210ST



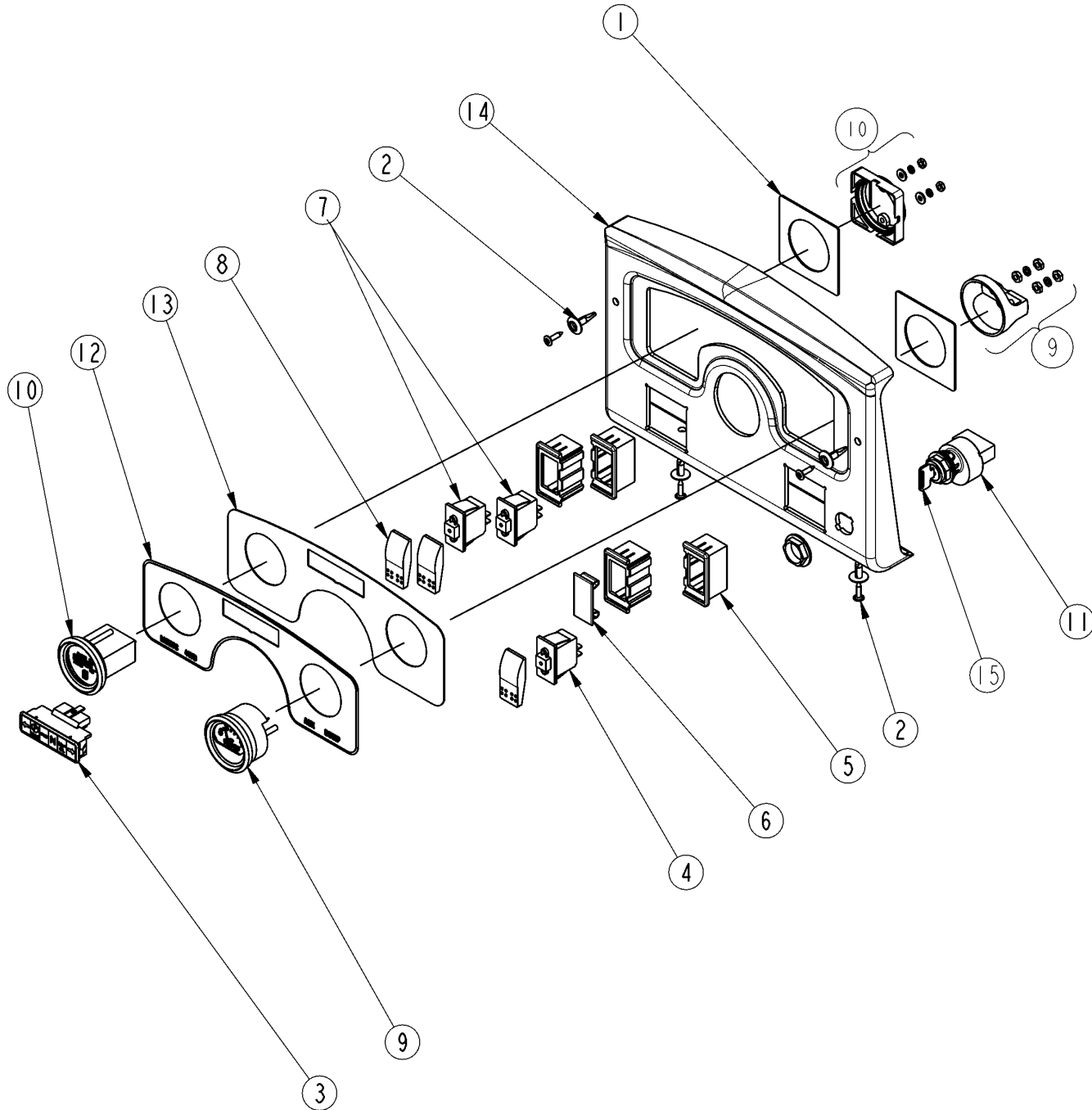
23836

Instrument Panel, 4 x 2**Applies to 4210ST**

Ref	Part No.	Part Description	Comments	Revision
	dwg23836	Drawing Image Number		
1.	700-211D	DASH BACKER PLATE		
2.	800-236C	RIVET, 1/4		
3.	833-020C	INDICATOR LIGHT STRIP 8-PIN	Replacement Bulb 833-418c	
4.	833-254C	DUMP SWITCH WAYTEK 44304		
5.	833-267C	SWITCH MOUNT END		
6.	833-268C	PANEL PLUG		
7.	833-269C	SWITCH ROCKER SPST		
8.	833-271C	SWITCH ACTUATOR		
9.	833-298C	GAUGE, VOLT METER		
10.	833-299C	GAUGE, HOUR METER		
11.	833-336C	IGNITION SWITCH W/2 KEYS(6PIN)		
12.	838-623C	DECAL INSTRUMENT PANEL		
13.	840-160C	INSTRUMENT PANEL		
14.	840-248C	DASH TRUCK		
15.	833-342C	KEY W/SHIELD (RP FOR 833-336C)		

Instrument Panel, 4 x 4

Applies to 4410ST



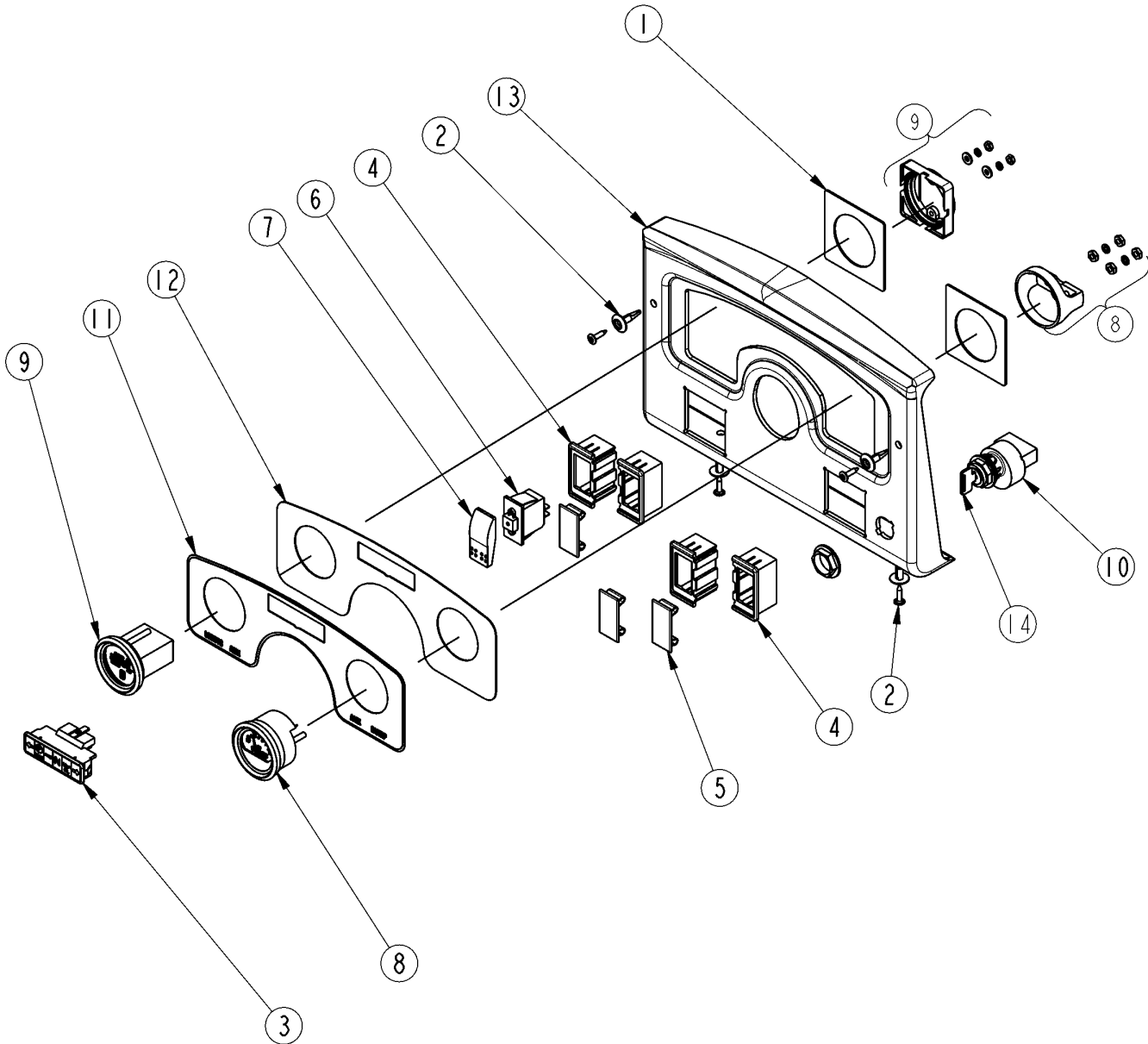
23838

Instrument Panel, 4 x 4**Applies to 4410ST**

Ref	Part No.	Part Description	Comments	Revision
	dwg23838	Drawing Image Number		
1.	700-211D	DASH BACKER PLATE		
2.	800-236C	RIVET, 1/4		
3.	833-020C	INDICATOR LIGHT STRIP 8-PIN	Replacement Bulb 833-418c	
4.	833-254C	DUMP SWITCH WAYTEK 44304		
5.	833-267C	SWITCH MOUNT END		
6.	833-268C	PANEL PLUG		
7.	833-269C	SWITCH ROCKER SPST		
8.	833-271C	SWITCH ACTUATOR		
9.	833-298C	GAUGE, VOLT METER		
10.	833-299C	GAUGE, HOUR METER		
11.	833-336C	IGNITION SWITCH W/2 KEYS(6PIN)		
12.	838-633C	DECAL INSTR. PANEL TRUCK 4X4		
13.	840-160C	INSTRUMENT PANEL		
14.	840-248C	DASH TRUCK		
15.	833-342C	KEY W/SHIELD (RP FOR 833-336C)		

Instrument Panel, 4210ST Manual Bed Lift

Applies to 4210ST



23837

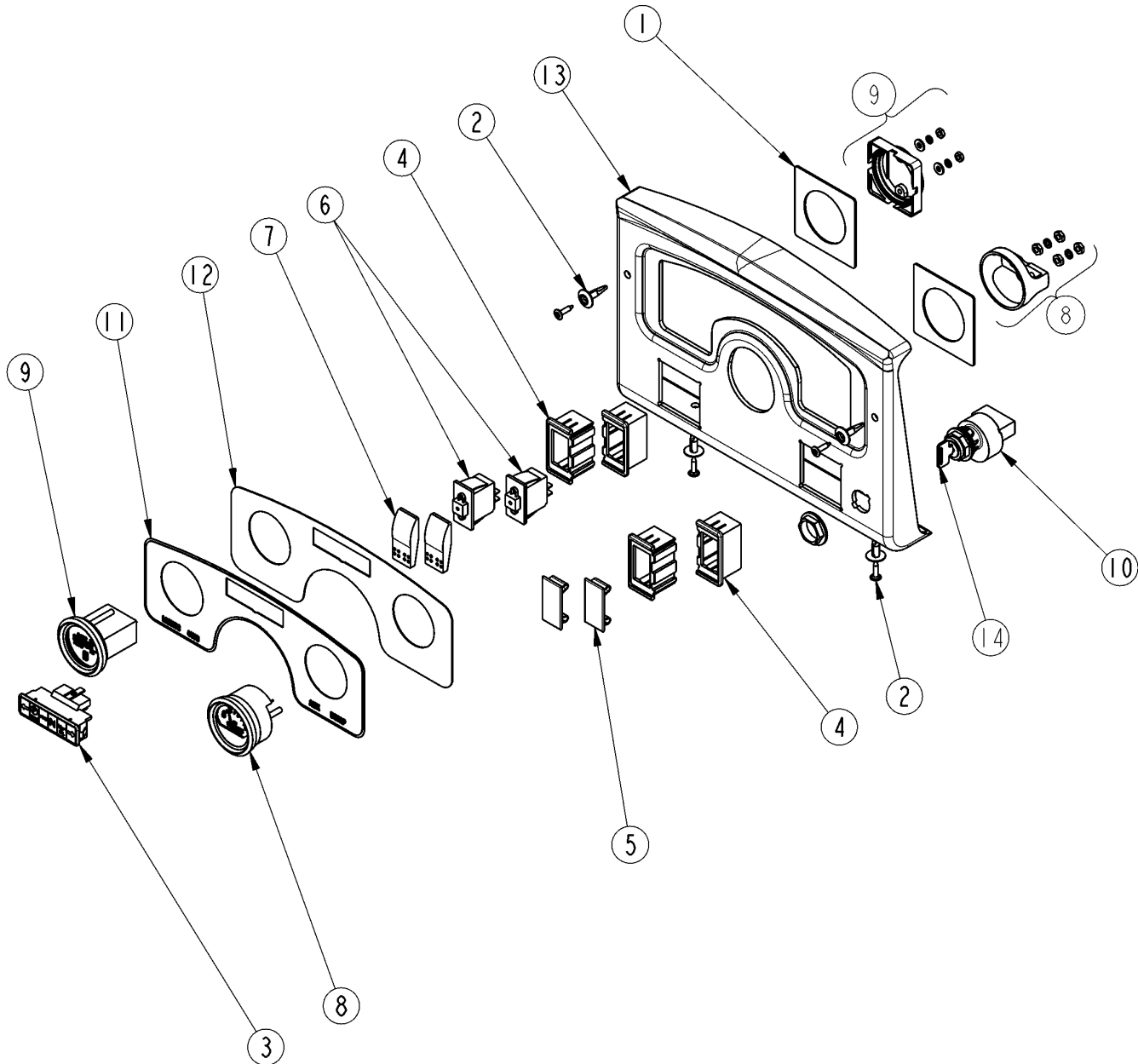
Instrument Panel, 4210ST Manual Bed Lift

Applies to 4210ST

Ref	Part No.	Part Description	Comments	Revision
	dwg23837	Drawing Image Number		
1.	700-211D	DASH BACKER PLATE		
2.	800-236C	RIVET, 1/4		
3.	833-020C	INDICATOR LIGHT STRIP 8-PIN	Replacement Bulb 833-418c	
4.	833-267C	SWITCH MOUNT END		
5.	833-268C	PANEL PLUG		
6.	833-269C	SWITCH ROCKER SPST		
7.	833-271C	SWITCH ACTUATOR		
8.	833-298C	GAUGE, VOLT METER		
9.	833-299C	GAUGE, HOUR METER		
10.	833-336C	IGNITION SWITCH W/2 KEYS(6PIN)		
11.	838-623c	DECAL INSTR. PANEL		
12.	840-160C	INSTRUMENT PANEL		
13.	840-248C	DASH TRUCK		
14.	833-342C	KEY W/SHIELD (RP FOR 833-336C)		

Instrument Panel, 4410ST Manual Bed Lift

Applies to 4410ST



23835

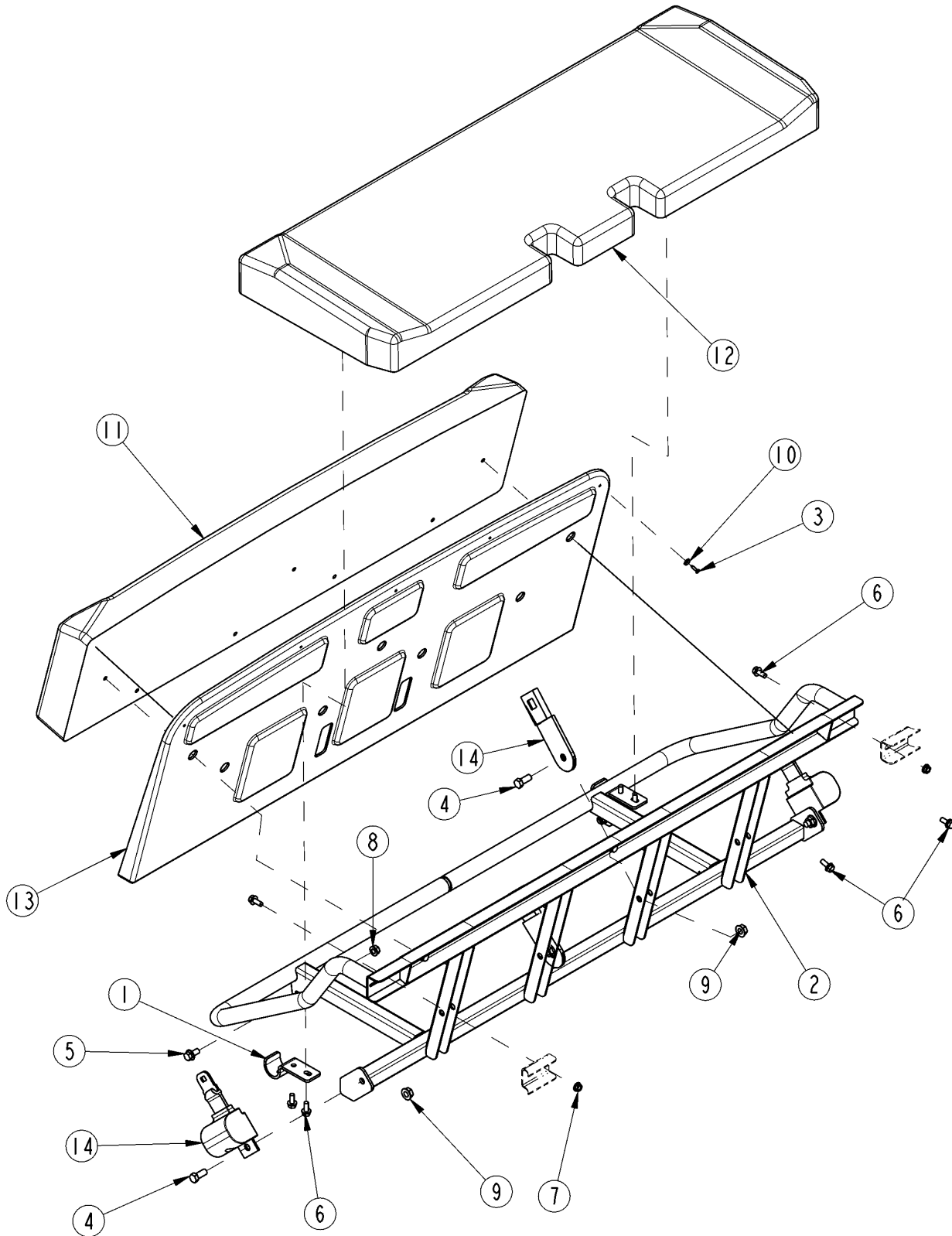
Instrument Panel, 4410ST Manual Bed Lift

Applies to 4410ST

Ref	Part No.	Part Description	Comments	Revision
	dwg23835	Drawing Image Number		
1.	700-211D	DASH BACKER PLATE		
2.	800-236C	RIVET, 1/4		
3.	833-020C	INDICATOR LIGHT STRIP 8-PIN	Replacement Bulb 833-418c	
4.	833-267C	SWITCH MOUNT END		
5.	833-268C	PANEL PLUG		
6.	833-269C	SWITCH ROCKER SPST		
7.	833-271C	SWITCH ACTUATOR		
8.	833-298C	GAUGE, VOLT METER		
9.	833-299C	GAUGE, HOUR METER		
10.	833-336C	IGNITION SWITCH W/2 KEYS(6PIN)		
11.	838-633C	DECAL INSTR. PANEL TRUCK 4X4		
12.	840-160C	INSTRUMENT PANEL		
13.	840-248C	DASH TRUCK		
14.	833-342C	KEY W/SHIELD (RP FOR 833-336C)		

Bench Seat Option

Applies to 4210ST, 4410ST



23825

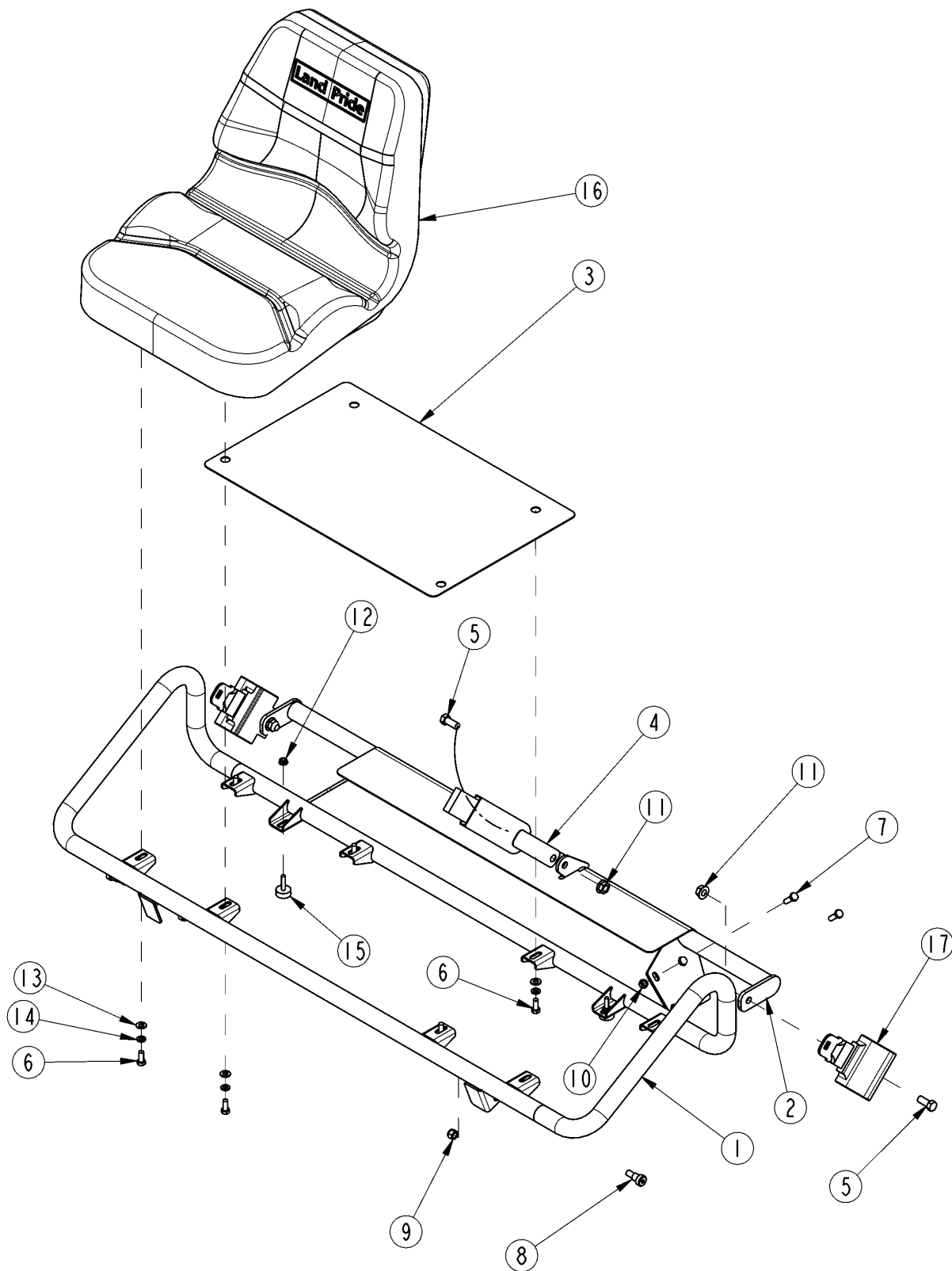
Bench Seat Option

Applies to 4210ST, 4410ST

Ref	Part No.	Part Description	Comments	Revision
	dwg23825	Drawing Image Number		
1.	700-389D	SEAT PIVOT PLATE		
2.	700-460H	BENCH SEAT WELDMENT		
3.	801-214C	SCREW, OVPH SM 8 X 3/4 SS		
4.	802-080C	HHCS 7/16-14X1 GR5		
5.	802-185C	HFSS 3/8-16X3/4 LG		
6.	802-387C	HFS 5/16-18X3/4 GR5		
7.	803-177C	NUT HEX FLG TP LK 5/16-18ZNYCR		
8.	803-209C	NUT FLANGE LOCK 3/8-16 PLT		
9.	803-229C	NUT HEX FLANGE LOC 7/16-14 PLT		
10.	804-223C	WASHER, #8 FINISH CUP		
11.	839-409C	BENCH SEAT BACK TAN (ST)		
11.	840-317C	BENCH SEAT BACK CUSH, BLACK		
12.	839-410C	BENCH SEAT BOTTOM TAN (ST)		
12.	840-316C	BENCH SEAT BOTTOM CUSH, BLACK		
13.	840-269C	BENCH SEAT BACK PANEL		
14.	840-272C	SEAT BELT RETRACTABLE		

Bucket Seat Option

Applies to 4210ST, 4410ST



23824

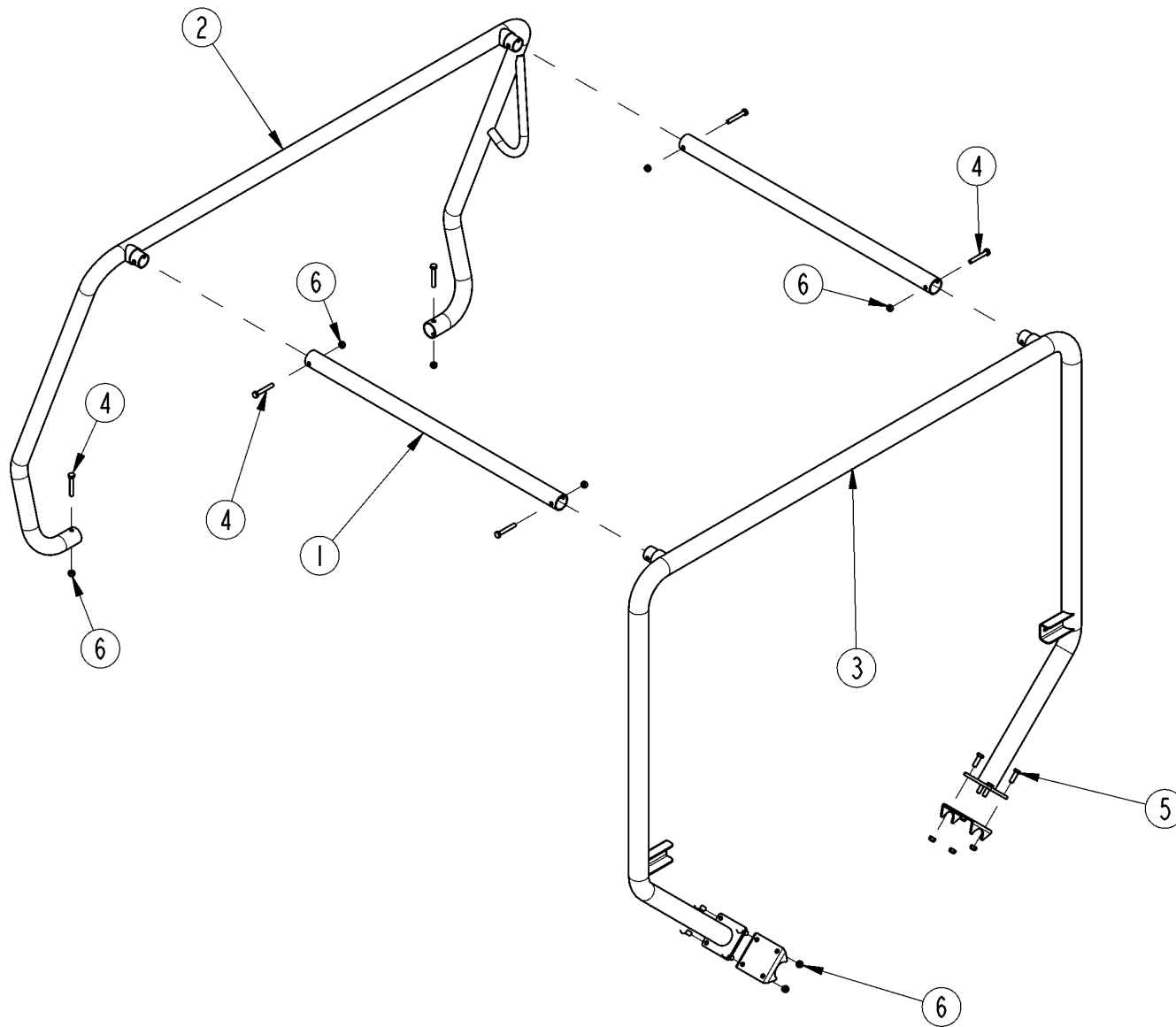
Bucket Seat Option

Applies to 4210ST, 4410ST

Ref	Part No.	Part Description	Comments	Revision
	dwg23824	Drawing Image Number		
1.	700-043H	SEAT WIDE WELDMENT		
2.	700-235H	SEAT BELT MOUNT (ST)		
3.	700-453D	CONSOLE COVER PLATE, ST		
4.	720-244D	SEAT BELT SUPPORT		
5.	802-080C	HHCS 7/16-14X1 GR5		
6.	802-735C	HHCS 5/16-18X3/4 GR5 YELLOW DI		
7.	802-738C	HHCS 5/16-18X1 GR5 YELLOW DIE		
8.	802-747C	HSHSS 1/2X1/2 3/8-16 UNC SS		
9.	803-078C	NUT LOCK 3/8-16 NYLON INSERT		
10.	803-084C	NUT HEX NYLOCK 5/16-18 PLT		
11.	803-229C	NUT HEX FLANGE LOC 7/16-14 PLT		
12.	803-230C	NUT HEX FLANGE 1/4-20 PLT		
13.	804-084C	WASHER FLAT 5/16 HARD ASTM F436		
14.	804-201C	WASHER LOCK SPRING 5/16 YELLOW		
15.	816-425C	RBR STOP 1" OD 3/8" THK W/STUD		
16.	839-303C	BUCKET SEAT TAN		
16.	839-300C	BUCKET SEAT BLACK		
17.	840-180C	SEATBELT RETRACTABLE		

Four Post Accessory Bar

Applies to 4210ST, 4410ST



23823

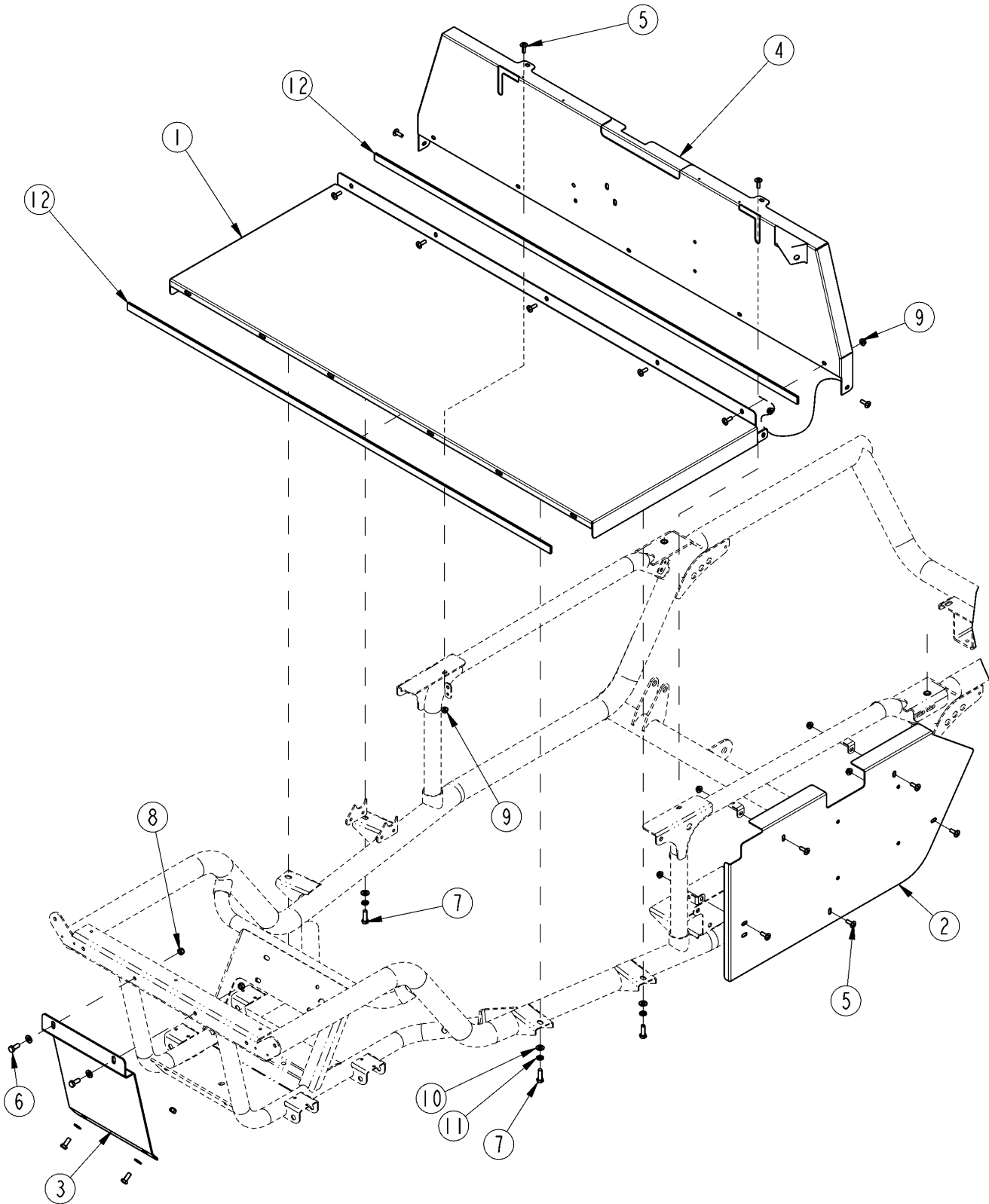
Four Post Accessory Bar

Applies to 4210ST, 4410ST

Ref	Part No.	Part Description	Comments	Revision
	dwg23823	Drawing Image Number		
1.	700-036D	ACCESSORY CROSS BAR		
2.	700-070H	ACCESSORY FRONT WLDMNT WIDE		
3.	700-251H	ACCESSORY BAR WLDMNT REAR	Bench Seat Model	
3.	700-068H	ACCESSORY REAR WLDMNT WIDE	Bucket Seat Model	
4.	802-115C	HHCS 5/16-18X2 GR5		
5.	802-738C	HHCS 5/16-18X1 GR5 YELLOW DIE		
6.	803-084C	NUT HEX NYLOCK 5/16-18 PLT		

Floor Panel and Shields

Applies to 4210ST, 4410ST



23839

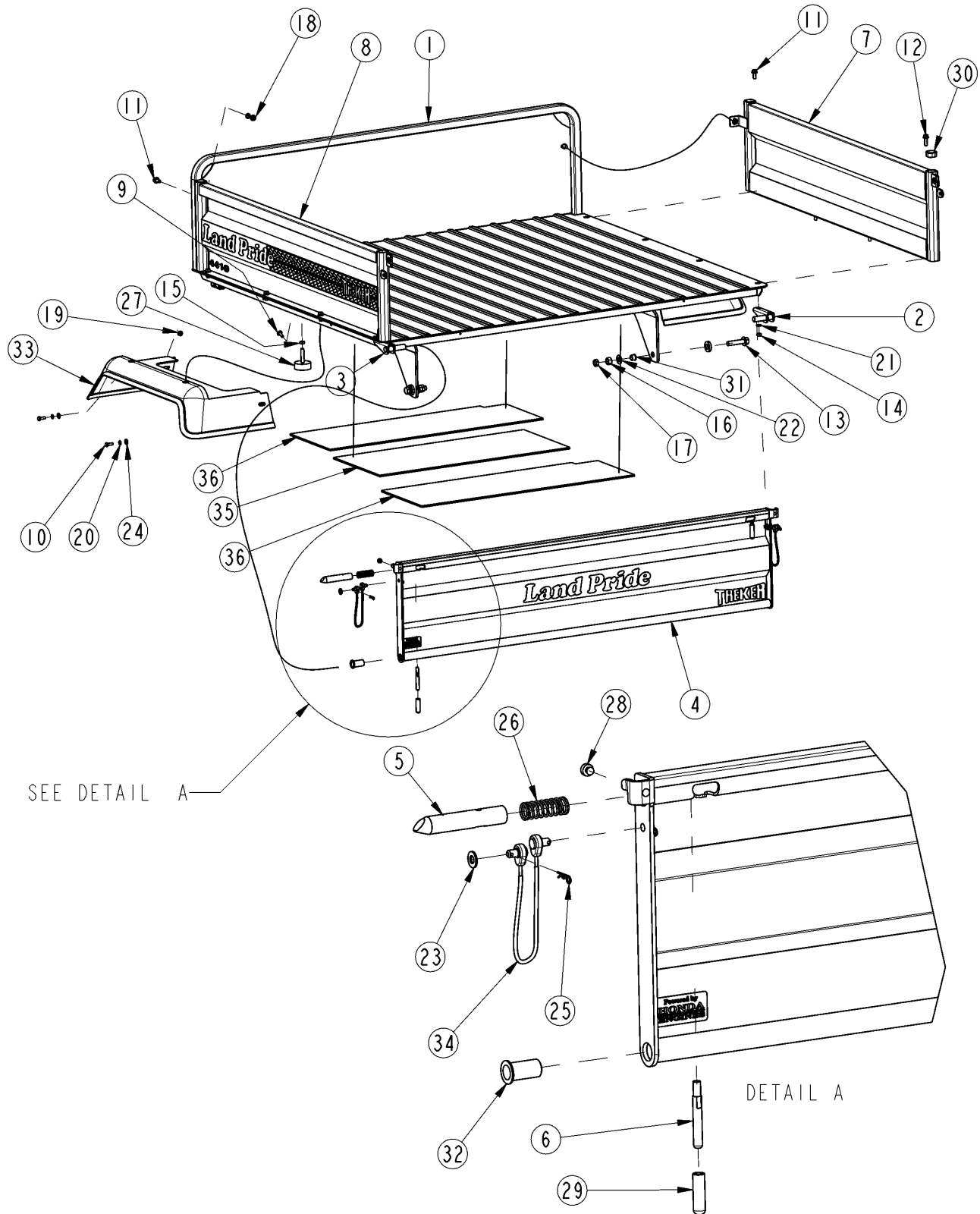
Floor Panel and Shields

Applies to 4210ST, 4410ST

Ref	Part No.	Part Description	Comments	Revision
	dwg23839	Drawing Image Number		
1.	700-047H	FLOOR WIDE WELDMENT		
2.	700-145D	SIDE PANEL, WIDE		
3.	700-197D	FRONT FRAME GUARD ST		
4.	700-289H	KICK PANEL WLDMNT (ST)		
5.	801-180C	TPHMS Y 1/4-20X3/4 YELLOW DIE		
6.	802-735C	HHCS 5/16-18X3/4 GR5 YELLOW DI		
7.	802-738C	HHCS 5/16-18X1 GR5 YELLOW DIE		
8.	803-084C	NUT HEX NYLOCK 5/16-18 PLT		
9.	803-293C	NUT HEX FLNG T-LOCK 1/4-20 PLT		
10.	804-084C	WASHER FLAT 5/16 HARD ASTM F436		
11.	804-201C	WASHER LOCK SPRING 5/16 YELLOW		
12.	990-227R	FOAM RUBBER 3/16X3/4 THK W/PSA	52.5" Lg.	

Cargo Box Components

Applies to 4210ST, 4410ST



Cargo Box Components

Applies to 4210ST, 4410ST

Ref	Part No.	Part Description	Comments	Revision
	dwg23827	Drawing Image Number		
1.	700-230H1	4410/4210ST GREEN BED BASE		
1.	700-230H2	4410/4210ST YELLOW BED BASE		
1.	700-230H3	4410/4210ST RED BED BASE		
1.	700-230H5	4410/4210ST CAMO BED BASE		
2.	700-241H	TAILGATE PIVOT WELDMENT RH		
3.	700-242H	TAILGATE PIVOT WELDMENT LH		
4.	700-244V	4410ST GREEN TAILGATE W/DECALS		
4.	700-334V	4210ST GREEN TAILGATE W/DECALS		
4.	700-336V	4210ST YELLOW TAILGATE W/DECAL		
4.	700-338V	4210ST RED TAILGATE W/DECALS		
4.	700-340V	4210ST CAMO TAILGATE W/DECALS		
4.	700-335V	4410ST YELLOW TAILGATE W/DECAL		
4.	700-337V	4410ST RED TAILGATE W/DECALS		
4.	700-339V	4410ST CAMO TAILGATE W/DECALS		
5.	700-315D	TAILGATE LATCH PIN		
6.	700-318D	TAILGATE LATCH HANDLE		
7.	700-345V	4410ST GREEN BED SIDE RH W/DCL		
7.	700-346V	4210ST GREEN BED SIDE RH W/DCL		
7.	700-348V	4210ST YELLOW BED SIDE RH W/DC		
7.	700-350V	4210ST RED BED SIDE RH W/DCLS		
7.	700-352V	4210ST CAMO BED SIDE RH W/DCLS		
7.	700-347V	4410ST YELLOW BED SIDE RH W/DC		
7.	700-349V	4410ST RED BED SIDE RH W/DCLS		
7.	700-351V	4410ST CAMO BED SIDE RH W/DCLS		
8.	700-353V	4410ST GREEN BED SIDE LH W/DCL		
8.	700-354V	4210ST GREEN BED SIDE LH W/DCL		
8.	700-356V	4210ST YELLOW BED SIDE LH W/DC		
8.	700-358V	4210ST RED BED SIDE LH W/DCLS		
8.	700-360V	4210ST CAMO BED SIDE LH W/DCLS		
8.	700-355V	4410ST YELLOW BED SIDE LH W/DC		
8.	700-357V	4410ST RED BED SIDE LH W/DCLS		
8.	700-359V	4410ST CAMO BED SIDE LH W/DCLS		
9.	801-180C	TPHMS Y 1/4-20X3/4 YELLOW DIE		
10.	802-004C	HHCS 1/4-20X3/4 GR5		
11.	802-387C	HFS 5/16-18X3/4 GR5		
12.	802-431C	HFSS 5/16-18X1 GR5 PLT		
13.	802-797C	HFS 1/2-13X2 1/4 GR5 PLT		
14.	803-008C	NUT HEX 5/16-18 PLT		
15.	803-012C	NUT HEX JAM 3/8-16 PLT		
16.	803-019C	NUT LOCK 1/2-13 PLT		
17.	803-036C	NUT HEX JAM 1/2-13 PLT		
18.	803-199C	NUT HEX FLANGE 5/16-18 PLT		
19.	803-293C	NUT HEX FLNG T-LOCK 1/4-20 PLT		
20.	804-006C	WASHER LOCK SPRING 1/4 PLT		
21.	804-009C	WASHER LOCK SPRING 5/16 PLT		
22.	804-016C	WASHER FLAT 1/2 SAE PLT		
23.	804-036C	WASHER FLAT 5/16 SAE PLT		
24.	804-117C	WASHER FLAT 1/4 HARD ASTM F436		
25.	805-302C	PIN HAIR COTTER .059W 15/16LG		
26.	807-250C	SPRING COMP .734ODX2.06X.072W		
27.	816-422C	RUBBER STOP 2"OD 3/4THK W/STUD		
28.	816-491C	TAILGATE BUMPER		
29.	816-492C	RUBBER TAILGATE LATCH SLEEVE		
30.	817-118C	CAP - 1 1/4 TUBE		
31.	817-559C	BUSHING 1/2IDX5/8ODX1/2 FLANGE		
32.	817-616C	BEARING .75DX.625IDX1.5L W/FLG		
33.	840-278C	UNIVERSAL TRUCK FENDER		

Cargo Box Components (continued)

Applies to 4210ST, 4410ST

Ref	Part No.	Part Description	Comments	Revision
34.	840-289C	TRUCK TAILGATE CABLE		
35.	840-300C	ST FRONT HEAT SHIELD/BED INSUL		
36.	840-301C	ST REAR HEAT SHIELD/BED INSUL		

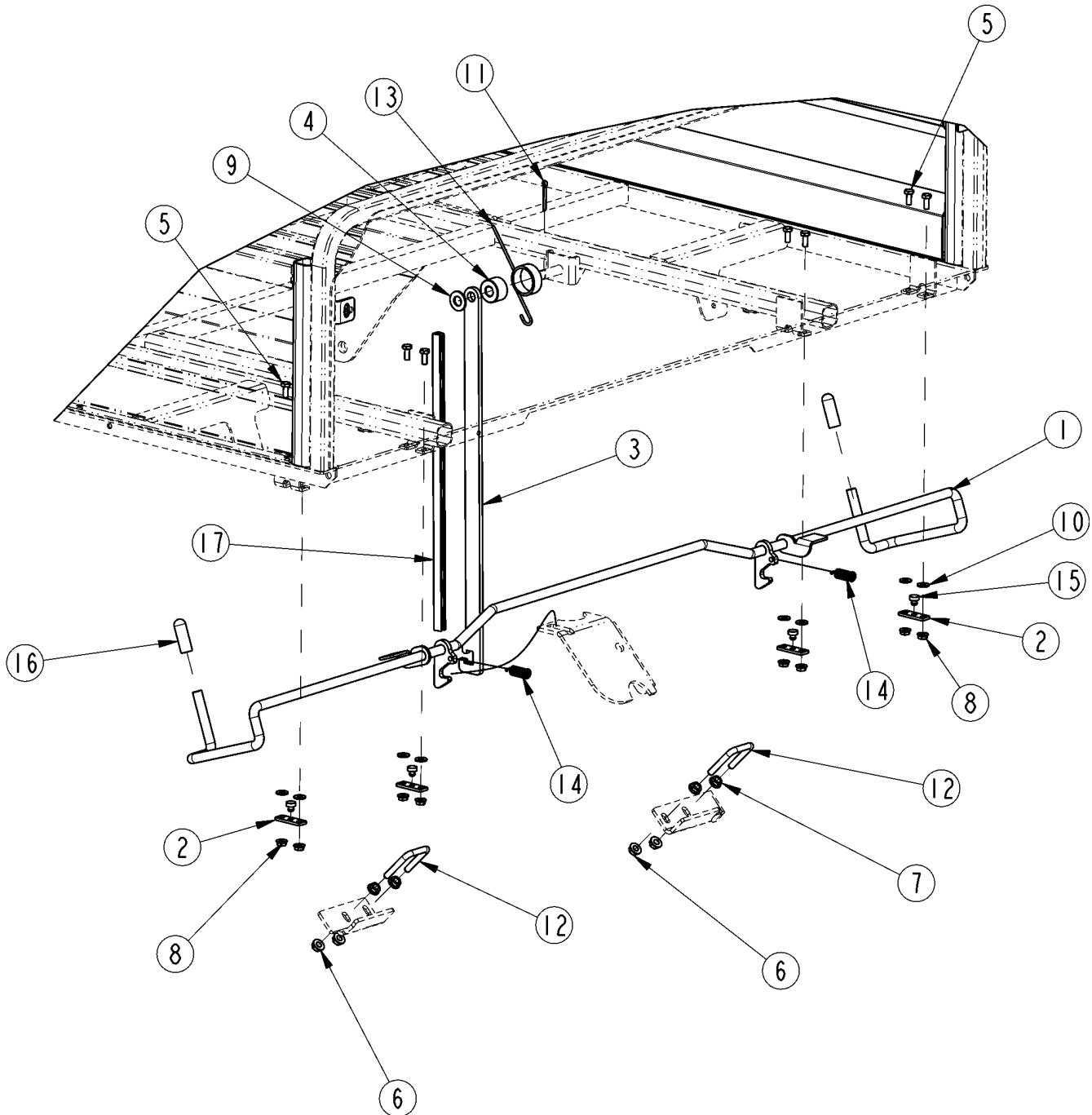
Cargo Box Components (continued)

Applies to 4210ST, 4410ST

This Page Intentionally Left Blank

Cargo Box Manual Lift/Latch

Applies to 4210ST, 4410ST



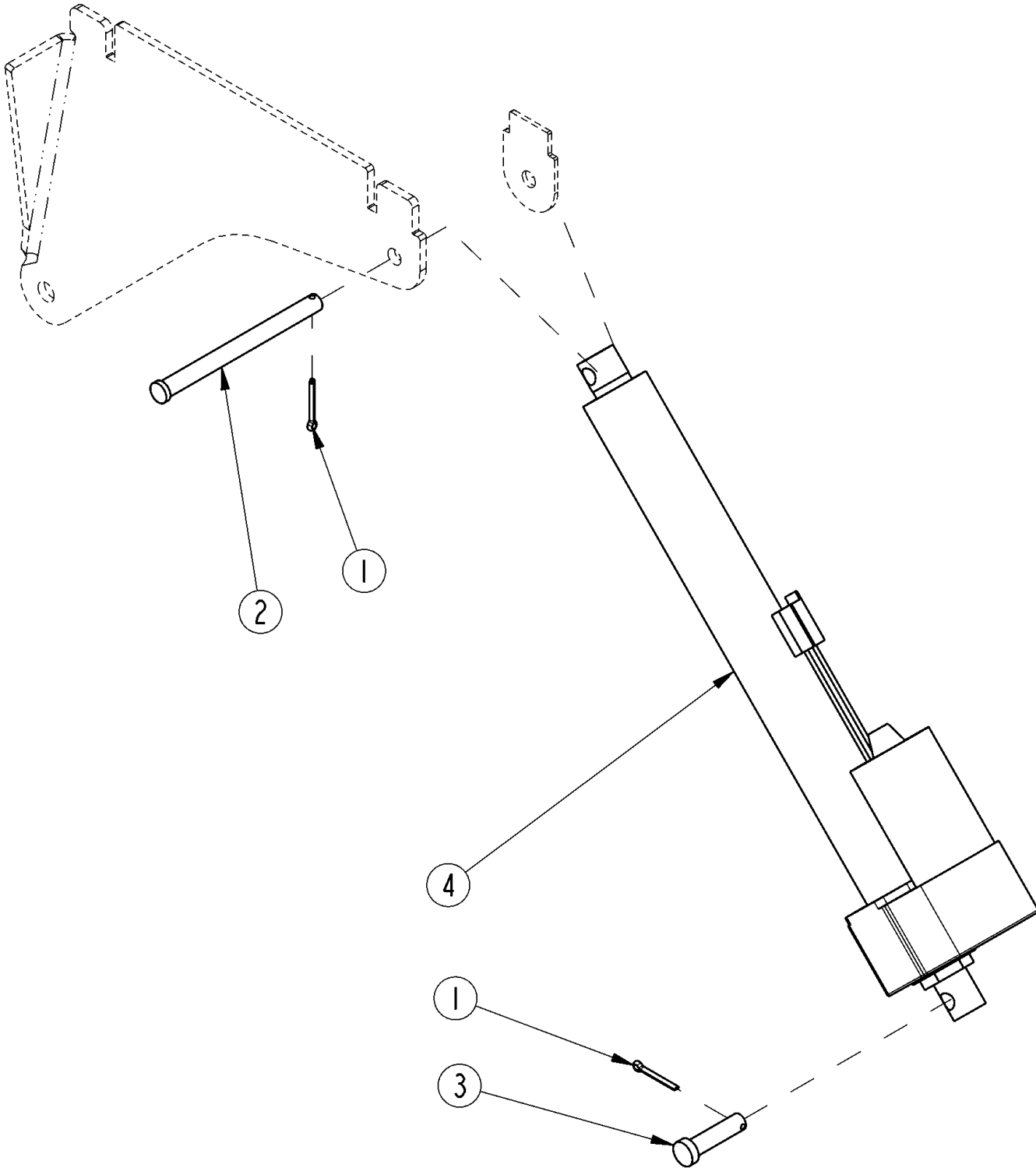
Cargo Box Manual Lift/Latch

Applies to 4210ST, 4410ST

Ref	Part No.	Part Description	Comments	Revision
	dwg23828	Drawing Image Number		
1.	700-253H	BED LATCH WELDMENT		
2.	700-306D	LATCH RELEASE KEEPER		
3.	700-310D	BED PROP		
4.	700-421D	BED PROP BUSHING		
5.	802-078C	HHCS 1/4-20X5/8 GR5		
6.	803-177C	NUT HEX FLG TOP LK 5/16-18 YLW		
7.	803-199C	NUT HEX FLANGE 5/16-18 PLT		
8.	803-293C	NUT HEX FLNG T-LOCK 1/4-20 PLT		
9.	804-016C	WASHER FLAT 1/2 SAE PLT		
10.	804-117C	WASHER FLAT 1/4 HARD ASTM436		
11.	805-045C	PIN COTTER 5/32 X 1 1/4 LG		
12.	806-091C	U-BOLT 5/16-18 X 1 3/8 X 2		
13.	807-117C	SPRING TORSION IDLER		
14.	807-219C	SPRING EXT. .50DX1.66LGX.08W		
15.	816-491C	TAILGATE BUMPER		
16.	816-493C	RUBBER BED CATCH SLEEVE		
17.	817-641C	ISOLATOR, BED SUPPORT		

Cargo Box Power Lift

Applies to 4210ST, 4410ST



24800

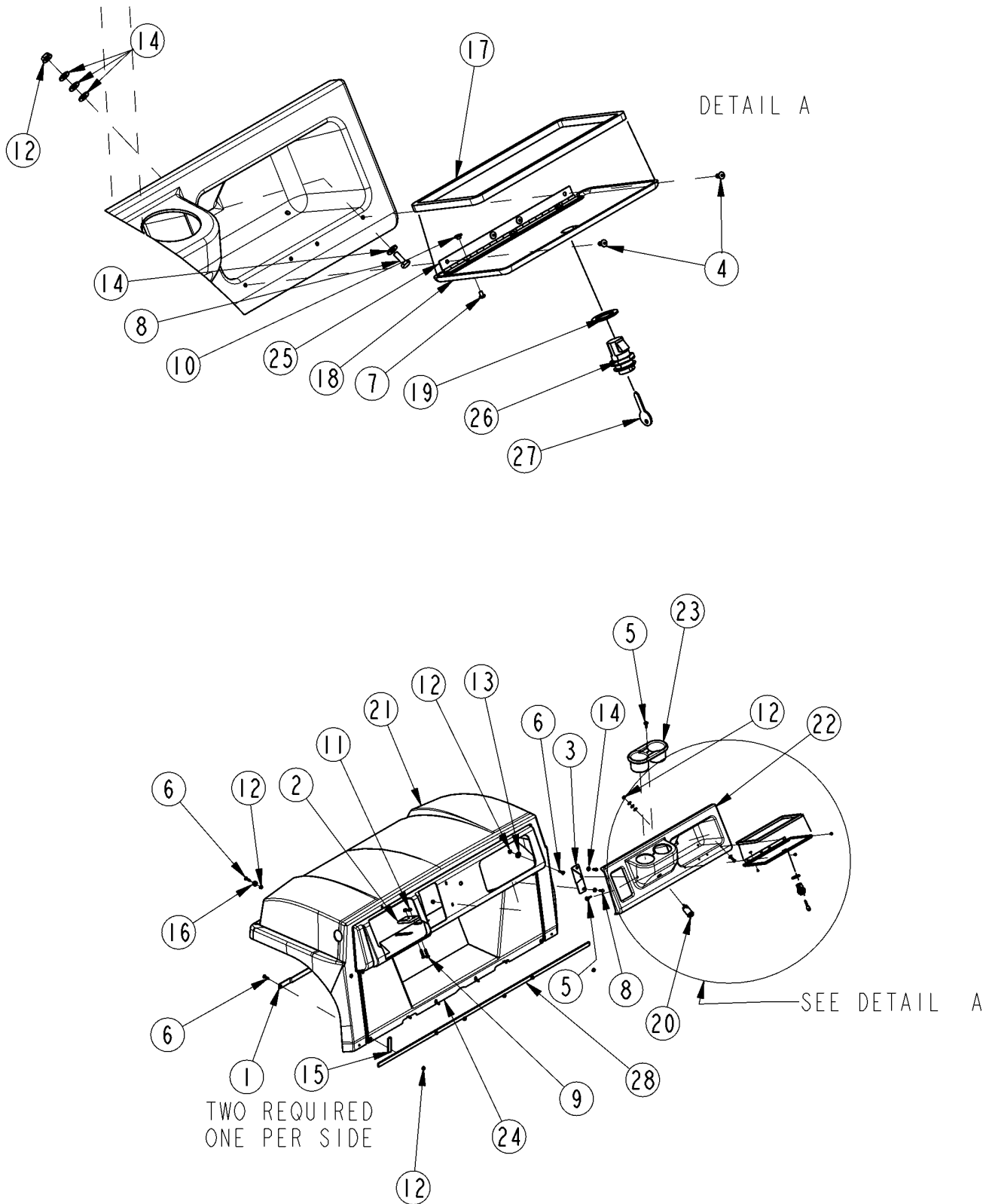
Cargo Box Power Lift

Applies to 4210ST, 4410ST

Ref	Part No.	Part Description	Comments	Revision
	dwg24800	Drawing Image Number		
1.	805-045C	PIN COTTER 5/32 X 1 1/4 LG		
2.	805-252C	PIN CLEVIS 1/2 X 6		
3.	805-303C	PIN CLEVIS 1/2X1 49/64 USABLE		
4.	833-317C	ELECT. LINEAR ACTUATOR 12"STRK		

Hood Components

Applies to 4210ST, 4410ST



23840

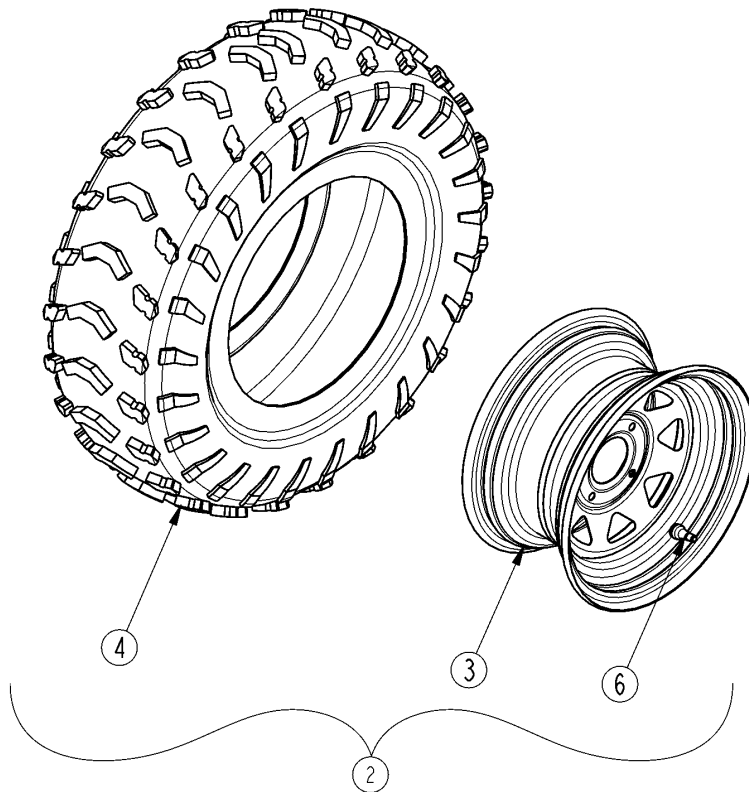
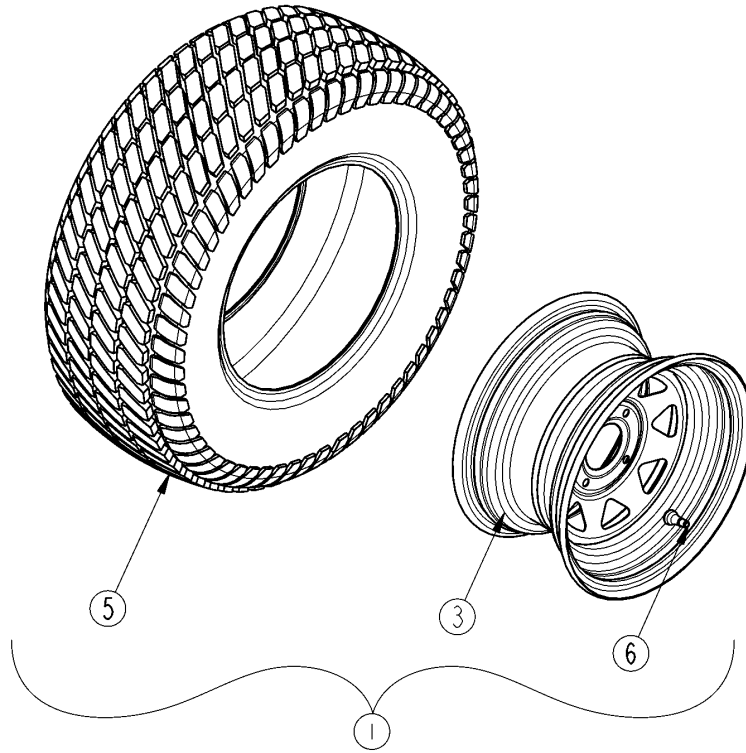
Hood Components

Applies to 4210ST, 4410ST

Ref	Part No.	Part Description	Comments	Revision
	dwg23840	Drawing Image Number		
1.	700-233D	BACKING PLATE FOR TRUCK BODY		
2.	700-255D	BODY MOUNT SPACER .375 THICK	As Required	
2.	700-254D	BODY MOUNT SPACER .25 THICK	As Required	
3.	700-442D	DASH MOUNT PLATE		
4.	800-219C	RIVET POP 3/16 .126-.250		
5.	800-236C	RIVET, 1/4 REMOVEABLE		
6.	801-181C	TPHMS Y 1/4-20X1 YELLOW DIE		
7.	801-200C	PHMS #8-32 X 1/4, SS BLACK		
8.	802-004C	HHCS 1/4-20X3/4 GR5		
9.	802-010C	HHCS 5/16-18X1 1/4 GR5		
10.	803-129C	NUT, BINDER 8-32 X 1/8		
11.	803-177C	NUT HEX FLG TOP LK 5/16-18 YLW		
12.	803-293C	NUT HEX FLNG T-LOCK 1/4-20 PLT		
13.	804-011C	WASHER FLAT 3/8 USS PLT		
14.	804-117C	WASHER FLAT 1/4 HARD ASTM F436		
15.	816-318C	TRIM, 1/8 RUBBER EDGE(PER FT)		
16.	816-433C	RUBBER GROMMET .75DX.31IDX.37T		
17.	816-494C	SEAL, GLOVE BOX DOOR		
18.	817-628C	DOOR, TRUCK GLOVE BOX		
19.	817-661C	WASHER, 1 1/2 X 1 X .08 THICK	S/N 486710+	
20.	833-322C	POWER PLUG OUTLET 12V		
21.	700-178A	SERV - ST 4X2 BODY-RED W/DECAL		
21.	700-179A	SERV - ST 4X2 BODY-GREEN/DECAL		
21.	700-180A	SERV - ST 4X2 BODY-YELLOW/DCL		
21.	700-181A	SERV - ST 4X2 BODY-CAMO/DECALS		
21.	700-186A	SERV - ST 4X4 BODY-RED W/DECAL		
21.	700-187A	SERV - ST 4X4 BODY-GREEN/DECAL		
21.	700-188A	SERV - ST 4X4 BODY-YELLOW/DCL		
21.	700-189A	SERV - ST 4X4 BODY-CAMO/DECALS		
22.	700-324A	10 SERIES DASH W/DECALS		
23.	840-275C	CUP HOLDER INSERT		
24.	700-319A	4210ST FOOTWELL W/ DECALS		
24.	700-320A	4410ST FOOTWELL W/ DECALS		
25.	840-294C	HINGE, 1.25 X 10 CONTINOUS		
26.	840-306C	LATCH, LOCKABLE TWIST	S/N 486710+	
26.	840-295C	RPBY 840-306C & 817-661C	S/N 486709-	
27.	840-307C	KEY GLOVE BOX DOOR- TWIST LOCK	S/N 486710+	
27.	840-299C	KEY, GLOVE BOX DOOR- PUSH LOCK	S/N 486709-	
28.	990-227R	FOAM RUBBER 3/16X3/4 THK W/PSA	52.5" Lg.	

Front Tires

Applies to 4210ST, 4410ST



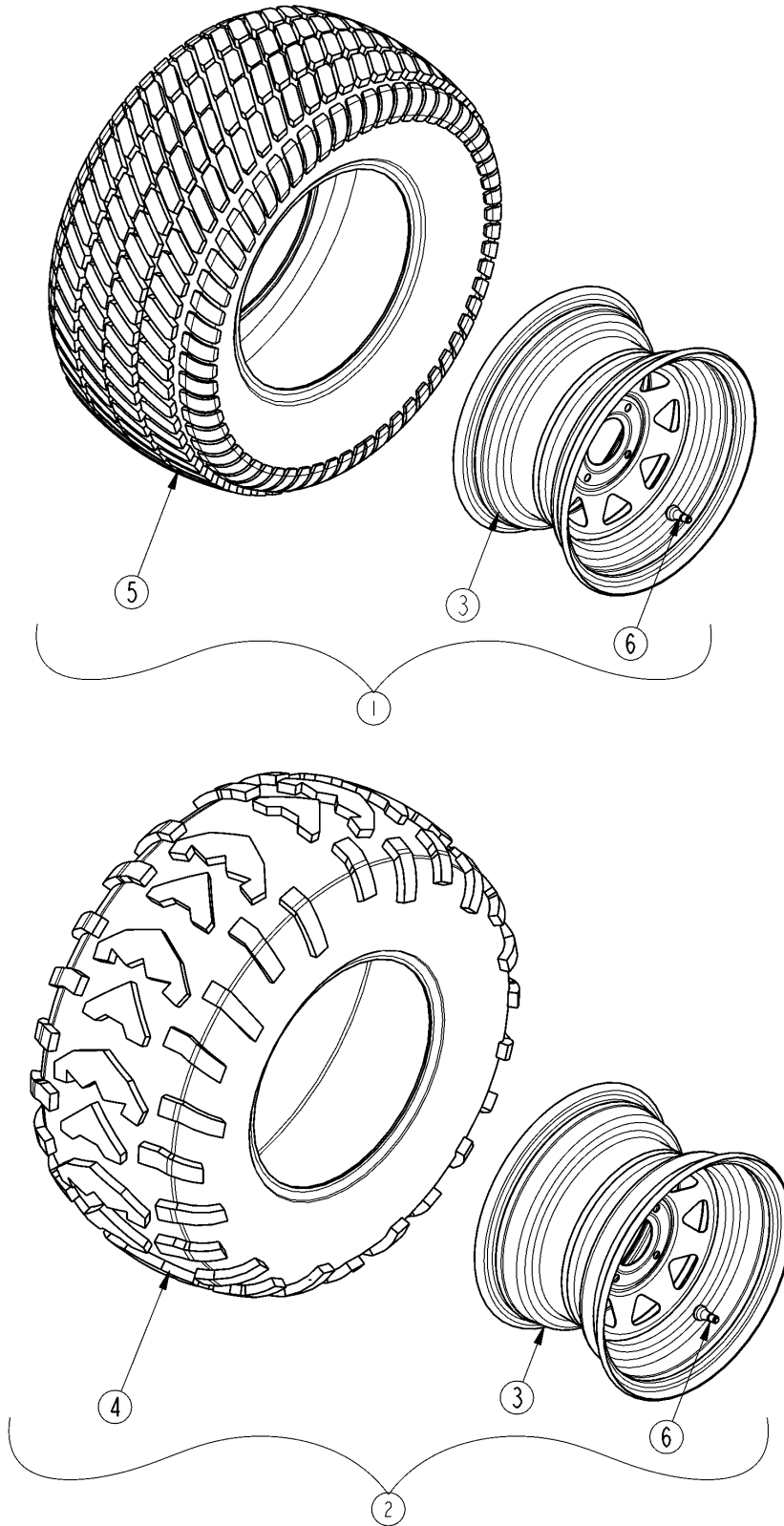
21315

Front Tires**Applies to 4210ST, 4410ST**

Ref	Part No.	Part Description	Comments	Revision
	dwg21315	Drawing Image Number		
1.	700-038S	TIRE/RIM FRONT TURF 23-8.5-12		
2.	710-019S	AT TIRE/RIM, GRAY RIGHT FRONT		
2.	700-386S	AT TIRE/RIM, BLACK RIGHT FRONT		
2.	710-036S	AT TIRE/RIM, GRAY LEFT FRONT		
2.	700-388S	AT TIRE/RIM, BLACK LEFT FRONT		
3.	814-214C	RIM, 12X7 4-4 BOLT GRAY		
3.	814-290C	RIM, 12X7 4-4 BOLT BLACK		
4.	814-216C	TIRE 25 X 8 X 12 AT489		
5.	814-242C	TIRE TURF 23-8.5-12		
6.	816-035C	VALVE STEM TR415 X. 625 X 1 1/4 LG		

Rear Tires

Applies to 4210ST, 4410ST



21314

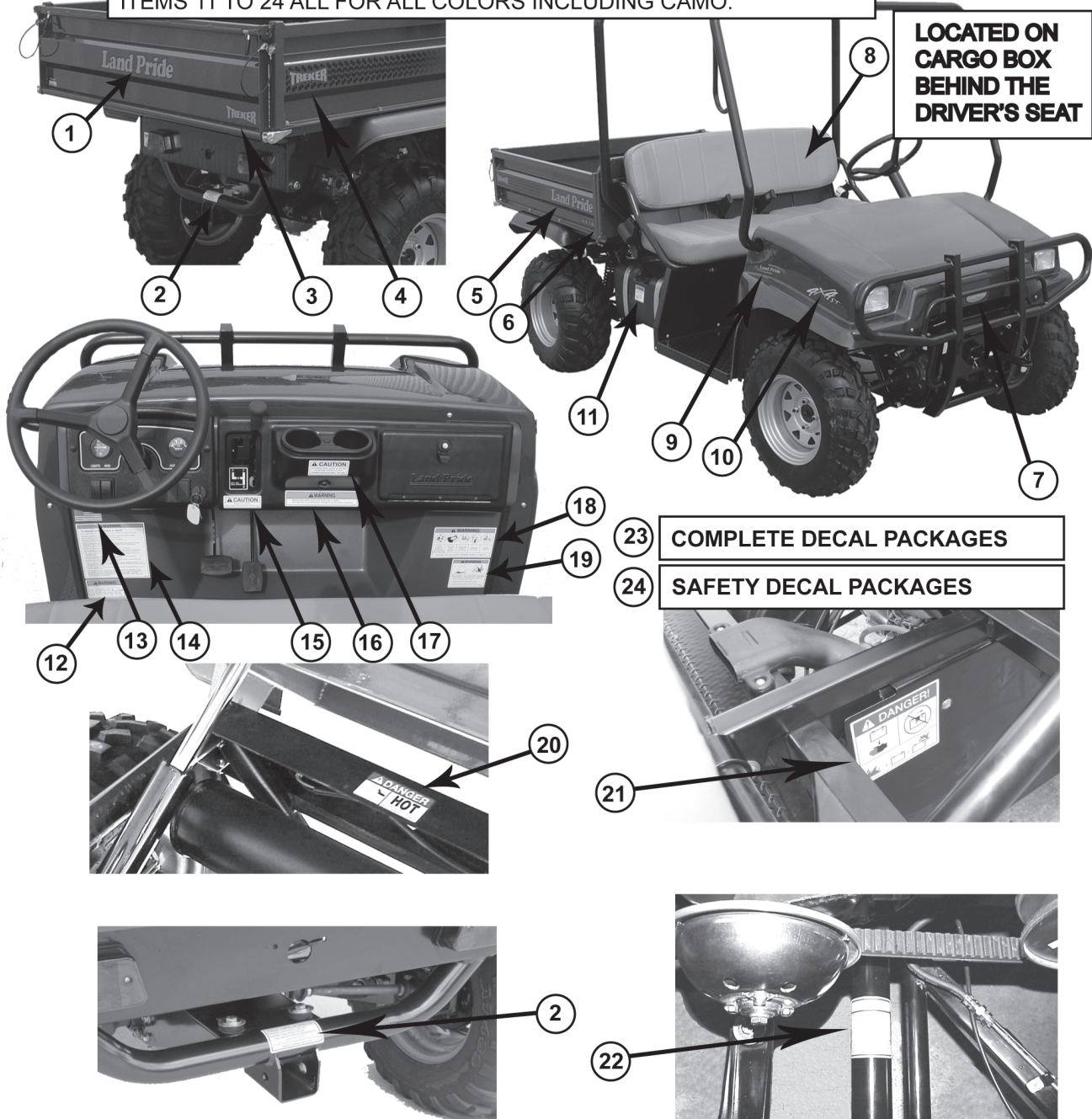
Rear Tires**Applies to 4210ST, 4410ST**

Ref	Part No.	Part Description	Comments	Revision
	dwg21314	Drawing Image Number		
1.	700-037S	TIRE/RIM REAR TURF 23-10.5-12		
2.	710-018S	AT TIRE/RIM, GRAY RIGHT REAR		
2.	700-385S	AT TIRE/RIM BLACK RIGHT REAR		
2.	710-035S	AT TIRE/RIM, GRAY LEFT REAR		
2.	700-387S	AT TIRE/RIM BLACK LEFT REAR		
3.	814-215C	RIM 12X8.5 4-4 BOLT GRAY		
3.	814-289C	RIM 12X8.5 4-4 BOLT BLACK		
4.	814-217C	TIRE 25 X 11 X 12 AT489		
5.	814-241C	TIRE TURF 23-10.5-12		
6.	816-035C	VALVE STEM TR415 X. 625 X 1 1/4 LG		

Decals

Applies to 4210ST, 4410ST

ITEMS 1 TO 10 ARE DECALS FOR RED, GREEN & YELLOW VEHICLES ONLY. FOR CAMO DECALS, SEE "DECALS AND PANELS, CAMO".
ITEMS 11 TO 24 ALL FOR ALL COLORS INCLUDING CAMO.

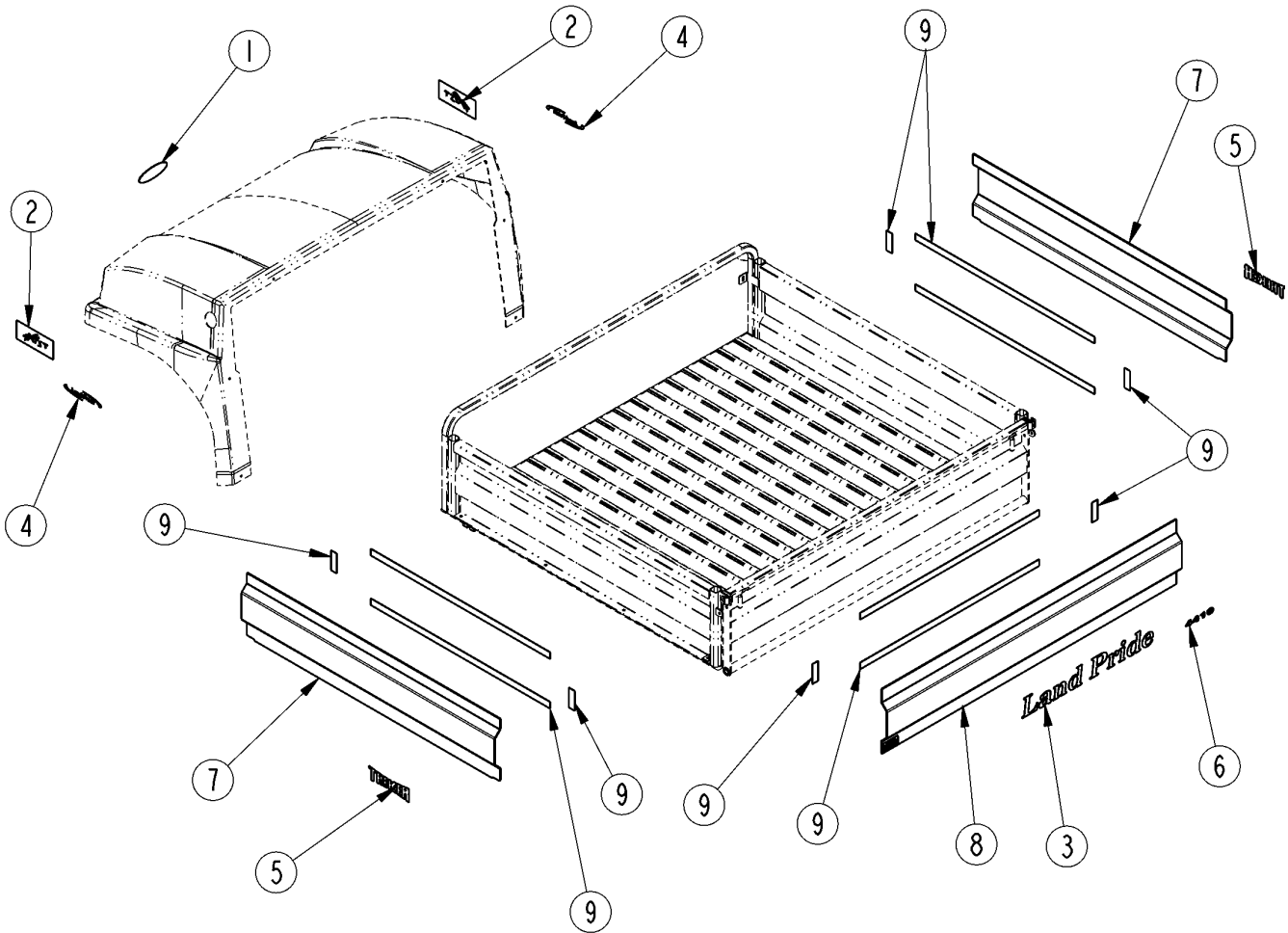


Decals**Applies to 4210ST, 4410ST**

Ref	Part No.	Part Description	Comments	Revision
	dwg23757	Drawing Image Number		
1.	838-788C	DECAL LANDPRIDE 17.6X2.6 GOLD		
2.	838-579C	DECAL TRAILER TOWING NT/ST		
3.	838-791C	DECAL SMALL TREKER GOLD		
4.	838-787C	DECAL TREKER RH W/ TREAD		
4.	838-786C	DECAL TREKER LH W/ TREAD		
5.	838-788C	DECAL LANDPRIDE 17.6X2.6 GOLD		
6.	838-790C	DECAL 4210 GOLD		
6.	838-789C	DECAL 4410 GOLD		
7.	838-507C	DECAL LP FRONT EMBLEM		
8.	818-045C	DECAL WARNING PINCH PT/CRUSH		
9.	838-644C	DECAL LAND PRIDE GOLD 6.42X1.3		
10.	838-546C	DECAL 4X2ST BLACK		
10.	838-547C	DECAL 4X2ST SANDSTONE		
10.	838-550C	DECAL 4X4ST BLACK		
10.	838-551C	DECAL 4X4ST SANDSTONE		
11.	838-508C	DECAL WARNING ENG. COOL B4 GAS		
12.	838-570C	DECAL WARNING (GVW)LOAD 4200ST		
12.	838-663C	DECAL WARNING (GVW)LOAD 4400ST		
13.	818-190C	DECAL FLAG		
14.	838-486C	DECAL WARNING GNRAL UTLTY VHCL		
15.	838-490C	DECAL CAUTION STOP ENGINE		
16.	838-532C	DECAL WARNING VEHICLE ROLLOVER		
17.	838-492C	DECAL CAUTION PWR SRC MAX 12V		
18.	838-491C	DECAL WARNING IMPROPER USE		
19.	838-489C	DECAL WARNING ROLLOVER HAZARD		
20.	838-444C	DECAL DANGER HOT		
21.	838-303C	DECAL DANGER BATTERY		
22.	818-543C	DECAL DANGER PD GUARD MISS SML		
23.	700-426A	4210ST DECAL PACKAGE, GREEN		
23.	700-427A	4410ST DECAL PACKAGE, GREEN		
23.	700-428A	4210ST DECAL PKG, RED/YELLOW		
23.	700-429A	4410ST DECAL PKG, RED/YELLOW		
23.	700-430A	4210ST DECAL PACKAGE, CAMO		
23.	700-431A	4410ST DECAL PACKAGE, CAMO		
24.	700-143A	SAFETY DECAL PACKAGE 4200ST		
24.	700-213A	SAFETY DECAL PACKAGE 4400ST		

Decals and Panels Camo

Applies to 4210ST, 4410ST



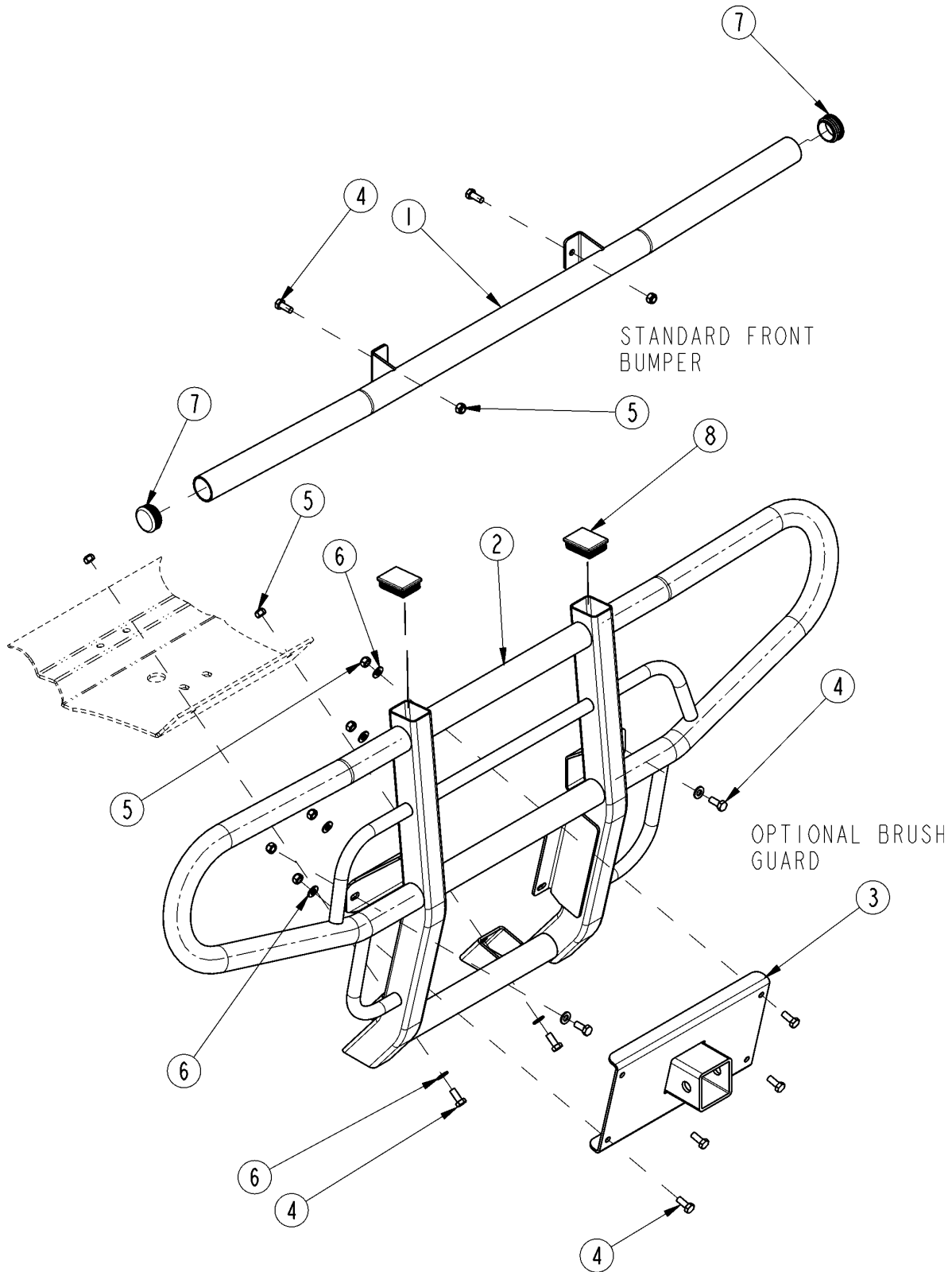
23841

Decals and Panels Camo**Applies to 4210ST, 4410ST**

Ref	Part No.	Part Description	Comments	Revision
	dwg23841	Drawing Image Number		
1.	838-507C	DECAL LP FRONT EMBLEM		
2.	838-550C	DECAL 4X4ST BLACK		
2.	838-546C	DECAL 4X2ST BLACK		
3.	838-554C	DECAL LAND PRIDE BLCK W/SNDSTN		
4.	838-644C	DECAL LAND PRIDE GOLD 6.42X1.3		
5.	838-704C	DECAL, TREKER LOGO 7IN. LG		
6.	838-789C	DECAL 4410 GOLD		
7.	840-296C	4410/4210ST SIDE R/LH CAMO PNL		
8.	840-297C	4410/4210ST CAMO TAILGATE PANL		
9.	990-132R	3M DOUBLE SIDED TAPE 1X.035	Long 31.25" Short 3"	

Bumper Front Standard and Brush Guard Option

Applies to 4210ST, 4410ST



23831

Bumper Front Standard and Brush Guard Option**Applies to 4210ST, 4410ST**

Ref	Part No.	Part Description	Comments	Revision
	dwg23831	Drawing Image Number		
1.	700-106H	FRONT BUMPER WIDE		
2.	700-268H	BRUSH GUARD WLDMNT	Optional	
3.	700-330H	HITCH WELDMENT FRONT		
4.	802-735C	HHCS 5/16-18X3/4 GR5 YELLOW DI		
5.	803-084C	NUT HEX NYLOCK 5/16-18 PLT		
6.	804-084C	WASHER FLAT 5/16 HARD ASTM F436		
7.	817-538C	PLUG PLASTIC(1.5OD .083-.035WL		
8.	817-589C	PLASTIC END CAP 2X1 1/2		



Part Number Index

The Part Number Index is a numeric index of all part numbers included in this manual. The index shows what page(s) the part is used on.

Part Number	Page	Part Number	Page	Part Number	Page	Part Number	Page
0-332-209-150	63	6203-13-124-D	45	700-255D	19, 89	700-421D	85
012CH289	51	6203-13-165	45	700-255H	25, 27	700-422H	15
012CH291-2X	51	6203-20-072	45	700-256S	15	700-423H	31
012GS202-X	51	6203-26-020-A	45	700-257S	15	700-426A	95
012GS204-X	51	6203-27-017-B	45	700-262H	15	700-427A	95
012GS207-X	51	6203-29-010-0	45	700-263H	15	700-428A	95
012GS215	51	6203-35-024-0	45	700-268H	99	700-429A	95
012GS216	51	6203-47-024-B	45	700-269H	25	700-430A	95
012GS302	51	6203-56-001-0	45	700-270H	25	700-431A	95
012GS307	51	6203-59-032-B	45	700-271H	25, 27	700-441D	29
012GS337	51	6203-93-001-0	45	700-272H	25, 27	700-442D	89
012GV164-X	51	6203-95-001-0	45	700-273S	27	700-4447	31
012HD106	51	680002	17	700-274D	41	700-446D	29, 31, 53
012HD111	51	700-017D	61	700-285D	39	700-447D	53
012HD129	51	700-036D	77	700-286D	39	700-448D	53
012HG145	51	700-037S	93	700-288H	29	700-449D	29, 31
012HH107	51	700-038S	91	700-289H	79	700-449H	25, 27
012HH122	51	700-043H	75	700-306D	85	700-450D	25, 27
012HH128	51	700-047H	79	700-310D	85	700-453D	75
012HH140	51	700-054H	11	700-315D	81	700-454D	37
012HM110-1	51	700-055H	11	700-316A	9	700-456D	63
012HM129	51	700-056H	35	700-318D	81	700-460H	73
012HNN120	51	700-059H	41	700-319A	89	700-466D	43
012HNN138	51	700-060H	17	700-320A	89	700-500A	11
012HNN140	51	700-068H	77	700-324A	89	700-517D	59
012HP120	51	700-070H	77	700-330H	99	700-518A	51
012HR128	51	700-074D	41	700-334V	81	700-524D	31
012HR132	51	700-075D	41	700-335V	81	700-525D	31
012HR133	51	700-076D	41	700-336V	81	701-193A	11
012HS121	51	700-078D	41	700-337V	81	710-018S	93
012HS125	51	700-099D	41	700-338V	81	710-019S	91
012HS126	51	700-106H	99	700-339V	81	710-035S	93
012LK133	51	700-112A	39	700-340V	81	710-036S	91
012LK134	51	700-127H	19	700-341S	35	710-097D	39
012SR172	51	700-128S	19	700-342H	35	720-244D	75
012SV118-X	51	700-129D	19	700-345V	81	790-001A	39
012TA378	51	700-131A	11	700-346V	81	800-007C	61
0180006	17	700-143A	95	700-347V	81	800-060C	63
026HM107	51	700-145D	79	700-348V	81	800-128C	25, 27
0430-01-002-T	45	700-175D	61	700-349V	81	800-219C	89
0518-03-009-T	45	700-178A	89	700-350V	81	800-235C	39
0909001	17	700-179A	89	700-351V	81	800-236C	65, 67, 69, 71, 89
1-0170NPL	43, 53	700-180A	89	700-352V	81	800-259C	39, 57
100301	55	700-181A	89	700-353V	81	800-296C	53
103125	55	700-186A	89	700-354V	81	800-303C	43, 63
109843	55	700-187A	89	700-355V	81	800-347C	29, 31, 35, 37
1215-02-038-T	45	700-188A	89	700-356D	41	800-350C	39
1215-02-141-T	45	700-189A	89	700-356V	81	800-351C	25, 27, 29, 31
1215-02-154-T	45	700-197D	79	700-357V	81	800-353C	43
1242-00-009-T	45	700-206D	19	700-358V	81	800-355C	35
200300	55	700-207S	41	700-359V	81	800-356C	35, 43, 61
2003PR	55	700-211D	65, 67, 69, 71	700-360V	81	800-360C	35
2003VB	55	700-212D	13	700-368S	61	800-366C	29, 31, 53
20061	17	700-213A	95	700-371H	15	801-035C	29, 31
203293	55	700-213D	61	700-374D	15	801-151C	37
23035	17	700-215D	39	700-378D	29, 31, 49	801-174C	35, 37
244610	55	700-228S	39	700-385S	93	801-180C	39, 41, 79, 81
244643	55	700-230H1	81	700-386S	91	801-181C	41, 89
3000-1006	29	700-230H2	81	700-387S	93	801-183C	59
41356	51	700-230H3	81	700-388S	91	801-193C	59
43142100	17	700-230H5	81	700-389D	73	801-197C	39
47002300	17	700-233D	89	700-398S	25	801-198C	41
5048	43, 49	700-235H	75	700-399D	25	801-199C	39, 57
5051	43, 49	700-241H	81	700-400D	25	801-200C	89
5803	51	700-242H	81	700-406D	25	801-214C	73
585965	51	700-244V	81	700-408D	53	802-004C	25, 27, 29, 31, 61, 81, 89
585994	51	700-245K	41	700-414H	27	802-005C	25, 39, 61
6203-01-166	45	700-251H	77	700-415H	27	802-010C	19, 89
6203-12-064-B	45	700-253H	85	700-418D	29, 31	802-017C	43
6203-12-100	45	700-254D	19, 89	700-419D	25, 27		

Table of Contents Part Number Index



Part Number Index (continued)

Part Number	Page	Part Number	Page	Part Number	Page	Part Number	Page
802-024C	41	803-319C	15	815-248C	29	833-322C	89
802-078C	85	803-329C	21	816-035C	91, 93	833-330C	25, 27
802-079C	19	803-332C	23, 43, 49	816-318C	89	833-336C	65, 67, 69, 71
802-080C	73, 75	803-334C	13	816-421C	57	833-337C	63
802-113C	41	803-341C	7	816-422C	81	833-342C	65, 67, 69, 71
802-115C	43, 77	804-006C	81	816-425C	75	833-372C	63
802-138C	29	804-009C	81	816-433C	89	833-373C	63
802-143C	25, 27, 41	804-011C	7, 25, 27, 41, 43,	816-469C	39	83465	33
802-185C	73		89	816-470C	39	838-303C	95
802-197C	31	804-012C	33	816-471C	39	838-444C	95
802-257C	63	804-013C	39, 43, 53	816-491C	81, 85	838-486C	95
802-320C	39	804-015C	39	816-492C	81	838-489C	95
802-382C	33	804-016C	81, 85	816-493C	85	838-490C	95
802-387C	17, 73, 81	804-017C	39	816-494C	89	838-491C	95
802-431C	81	804-025C	49	816-512C	39	838-492C	95
802-486C	7	804-036C	63, 81	816-522C	57	838-507C	95, 97
802-589C	23	804-054C	29	817-019C	25, 27	838-508C	95
802-609C	7	804-084C	17, 53, 57, 59,	817-118C	81	838-532C	95
802-628C	17		75, 79, 99	817-517C	15	838-546C	95, 97
802-714C	17	804-117C	81, 85, 89	817-525C	17	838-547C	95
802-731C	37	804-135C	39	817-526C	35	838-550C	95, 97
802-735C	19, 29, 53, 59,	804-157C	37	817-538C	99	838-551C	95
	75, 79, 99	804-162C	7	817-540C	19	838-554C	97
802-738C	35, 39, 53, 57,	804-201C	53, 63, 75, 79	817-559C	81	838-570C	95
	75, 77, 79	804-223C	73	817-589C	99	838-579C	95
802-747C	75	805-045C	85, 87	817-616C	81	838-623C	65
802-751C	13	805-063C	7, 17, 31, 35	817-621C	39	838-623c	69
802-752C	57	805-066C	35	817-628C	89	838-633C	67, 71
802-758C	53	805-252C	87	817-641C	85	838-644C	95, 97
802-760C	17	805-302C	81	817-661C	89	838-663C	95
802-764C	29	805-303C	87	818-045C	95	838-704C	97
802-769C	29, 31, 49	805-342C	29, 31	818-190C	95	838-777C	25, 27
802-770C	39	806-091C	85	818-543C	95	838-786C	95
802-771C	11	807-117C	85	822-203C	43	838-787C	95
802-774C	29, 31, 53	807-219C	59, 85	826-398C	43, 45	838-788C	95
802-781C	33	807-227C	19	826-400C	17	838-789C	95, 97
802-788C	25, 27	807-250C	81	826-405C	43	838-790C	95
802-793C	63	807-256C	29	826-413C	41	838-791C	95
802-797C	81	814-214C	91	826-417C	53, 55	839-122C	41
802-809C	31	814-215C	93	826-419C	53	839-297C	61
802-811C	27	814-216C	91	826-438C	43	839-298C	61
803-005C	41	814-217C	93	826-444C	39	839-300C	75
803-008C	63, 81	814-241C	93	826-445C	39	839-301C	61
803-012C	81	814-242C	91	826-454C	49, 51	839-302C	61
803-019C	81	814-289C	93	826-456C	49	839-303C	75
803-036C	81	814-290C	91	826-458C	51	839-309C	57
803-068C	19	815-143C	7, 23	826-474C	39	839-311C	57
803-078C	11, 41, 43, 75	815-144C	7, 23	826-475C	39	839-323C	57
803-084C	17, 35, 43, 53,	815-145C	21	826-483C	39	839-375C	57
	75, 77, 79, 99	815-146C	21	82775	33	839-376C	57
803-086C	19	815-147C	23	82779	33	839-377C	57
803-123C	33	815-150C	35	82781	33	839-383C	59
803-129C	89	815-151C	35	82785	33	839-401C	59
803-177C	19, 29, 31, 35,	815-152C	35	82788	33	839-402C	59
	39, 57, 59, 73,	815-154C	35	82960	33	839-403C	59
	85, 89	815-155C	35	82967	33	839-409C	73
803-199C	81, 85	815-156C	35, 37	82968	33	839-410C	73
803-209C	25, 27, 41, 73	815-157C	35, 37	831-035C	61	840-002C	19
803-211C	25, 27	815-158C	35, 37	83113	33	840-064C	17
803-220C	59	815-163C	35	833-020C	65, 67, 69, 71	840-065C	17
803-229C	23, 41, 73, 75	815-165C	37	833-254C	65, 67	840-072C	57
803-230C	75	815-167C	35, 37	833-255C	63	840-080C	25, 27, 41
803-255C	25, 27, 29, 31,	815-173C	35	833-256C	63	840-093C	17
	49, 61	815-174C	35	833-267C	65, 67, 69, 71	840-100C	11
803-269C	29	815-175C	35, 37	833-268C	65, 67, 69, 71	840-101C	13
803-278C	17	815-178C	37	833-269C	65, 67, 69, 71	840-104C	35
803-280C	7, 11, 17, 23	815-190C	35	833-271C	65, 67, 69, 71	840-105C	63
803-281C	7	815-196C	35	833-298C	65, 67, 69, 71	840-108C	41
803-283C	17	815-202C	29	833-299C	65, 67, 69, 71	840-130C	17
803-293C	27, 41, 63, 79,	815-210C	35	833-303C	63	840-134C	19, 35
	81, 85, 89	815-211C	37	833-317C	87	840-135C	39



Part Number Index (continued)

Part Number	Page	Part Number	Page	Part Number	Page
840-137C	7	dwg23827	81	R100-8B00-A0473	55
840-142C	41	dwg23828	85		
840-160C	65, 67, 69, 71	dwg23831	99		
840-180C	75	dwg23832	9		
840-218C	39	dwg23833	53		
840-226C	7	dwg23834	49		
840-227C	7	dwg23835	71		
840-228C	7	dwg23836	65		
840-229C	7	dwg23837	69		
840-239C	39	dwg23838	67		
840-240C	39	dwg23839	79		
840-241C	19	dwg23840	89		
840-248C	65, 67, 69, 71	dwg23841	97		
840-266C	39, 57	dwg23842	63		
840-268C	39, 57	dwg23843	51		
840-269C	73	dwg23878	31		
840-270C	25, 27, 29, 31	dwg23884	33		
840-271C	25, 27, 29, 31	dwg23892	11		
840-272C	73	dwg24800	87		
840-275C	89	dwg25599	27		
840-278C	81	F1004	23		
840-288C	25, 27	F136	21		
840-289C	82	F137	21		
840-294C	89	F175	21		
840-295C	89	F176	21		
840-296C	97	F177	21		
840-297C	97	F178	21		
840-298C	57	F179	21		
840-299C	89	F181	23		
840-300C	82	F258	21		
840-301C	82	F261	21		
840-306C	89	F609	21		
840-307C	89	F610	21		
840-312C	31, 33	F621	21		
840-315C	59	F622	21		
840-316C	73	F763	23		
840-317C	73	F765	23		
840-321C	11	F772	23		
840-330C	11	F773	23		
840293	51	F774	23		
85578	33	F777	21		
890-884C	25, 27, 31	F792	21		
890-885C	29	F793	21		
9175	17	F799	23		
990-132R	97	F813	23		
990-227R	79, 89	F815	23		
D2041	23	F818	23		
dwg21159	21	F820	23		
dwg21210	13	F822	23		
dwg21219	35	F823	23		
dwg21221	23	F824	23		
dwg21232	45	F826	23		
dwg21237	55	F827	21, 23		
dwg21240	41	F828	21, 23		
dwg21245	61	F829	23		
dwg21264	19	F832	23		
dwg21314	93	F834	23		
dwg21315	91	F840	23		
dwg22117	17	F843	23		
dwg22118	59	F845	23		
dwg23757	95	F852	21		
dwg23791	7	F855	21		
dwg23795	15	F896	23		
dwg23796	29	F908	21		
dwg23797	37	F909	21, 23		
dwg23798	25	N/A	39, 63		
dwg23821	39	PK-1584	33		
dwg23822	57	PK-1660	33		
dwg23823	77	R100-003M-A0427	55		
dwg23824	75	R100-004M-A0428	55		
dwg23825	73	R100-8B00-A0471	55		

This Page Intentionally Left Blank



Great Plains Manufacturing, Inc.

Corporate Office: P.O. Box 5060
Salina, Kansas 67402-5060 USA

www.landpride.com

Free Manuals Download Website

<http://myh66.com>

<http://usermanuals.us>

<http://www.somanuals.com>

<http://www.4manuals.cc>

<http://www.manual-lib.com>

<http://www.404manual.com>

<http://www.luxmanual.com>

<http://aubethermostatmanual.com>

Golf course search by state

<http://golfingnear.com>

Email search by domain

<http://emailbydomain.com>

Auto manuals search

<http://auto.somanuals.com>

TV manuals search

<http://tv.somanuals.com>