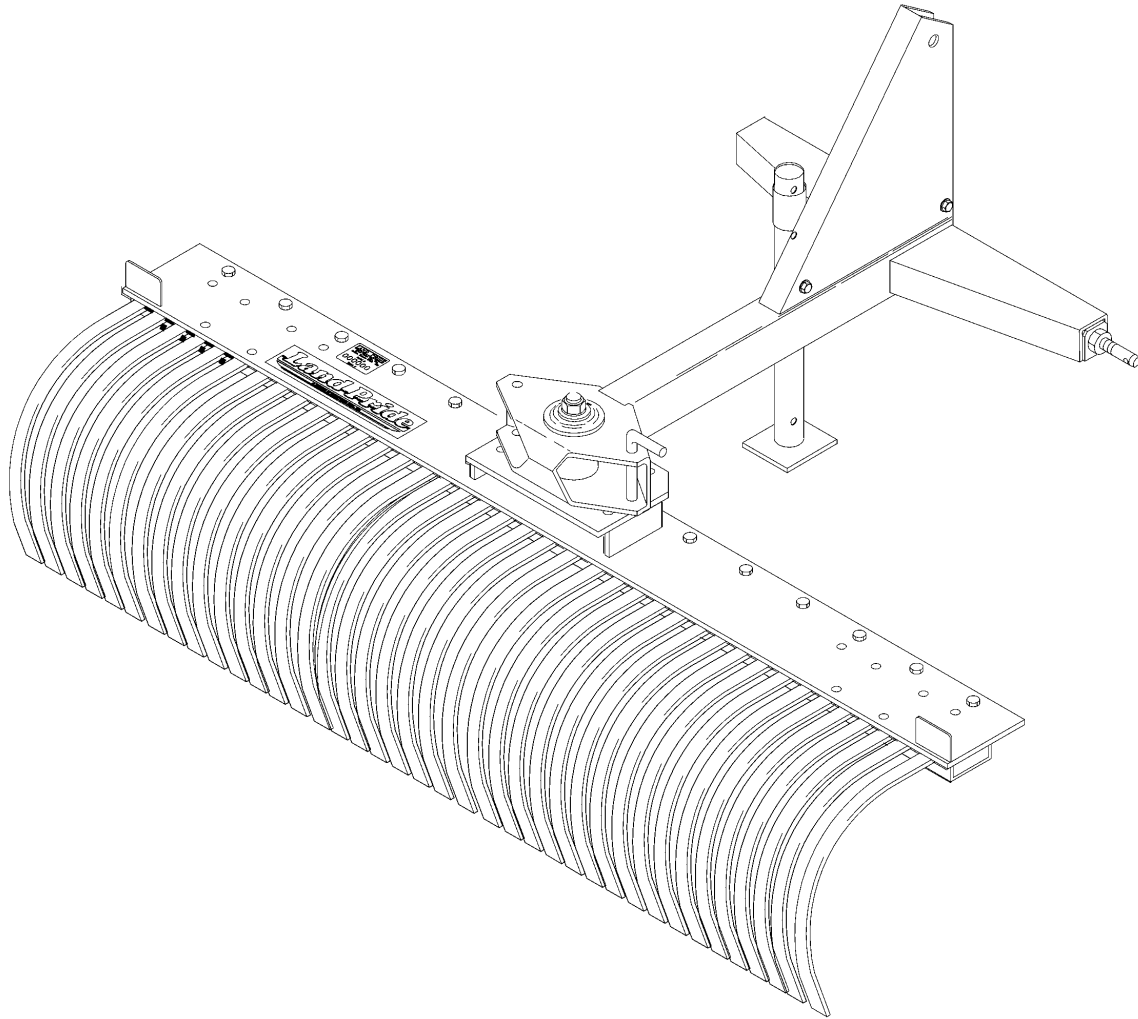


Landscape Rakes

LR05, LR15, LR25 & LR35



10410

302-185P **Parts Manual**



Read the Operator's manual entirely. When you see this symbol, the subsequent instructions and warnings are serious - follow without exception. Your life and the lives of others depend on it!

© Copyright 2008 Printed 04/29/08

Cover photo may show optional equipment not supplied with standard unit.





Table of Contents

Section 1: Introduction.....4
 Using This Manual.....4
 Manual Replacement Information.....4
 Manual Revisions.....4
 Touch-up Paint.....4
 Hardware Legend.....5
 Replacement Hardware.....5
 Serial Numbers.....5
 Part Number Service Coding.....5

LR05 SERIES

Section 2: Frame and Rake.....6
 Frame and Rake (S/N 106399-).....6
 Frame and Rake (S/N 106400+).....8
Section 3: Labels.....10
 Label Placement (S/N 106399-).....10
 Label Placement (S/N 106400+).....12
Section 4: Options.....14
 Dual Gauge Wheel.....14
 Flip Down Grader Blade.....16
 Single Gauge Wheel (S/N 106399-).....18
 Single Gauge Wheel (S/N 106400+).....20

LR15 SERIES

Section 2: Frame and Rake.....22
 Frame and Rake (S/N 33159-).....22
 Frame and Rake (S/N 33160).....24
 Frame and Rake (S/N 42980+).....26
Section 3: Labels.....28
 Label Placement (S/N 33159-).....28
 Label Placement (S/N 33160).....30
 Label Placement (S/N 42980+).....32
Section 4: Options.....34
 Flip Down Grader Blade.....34
 Gauge Wheel Dual (S/N 42979-).....36
 Gauge Wheel Dual (S/N 42980+).....38
 Gauge Wheel Tire (814-041C).....40
 Gauge Wheel Tire (814-053C).....42

LR25 SERIES

Section 2: Frame and Rake.....44
 Frame and Rake (S/N 42980+).....44
 Frame and Rake (SN 42979-).....46
Section 3: Labels.....48
 Label Placement (S/N 42979-).....48
 Label Placement (S/N 42980+).....50
Section 4: Options.....52
 Flip Down Grader Blade.....52

Gauge Wheel Dual (S/N 42979-).....54
 Gauge Wheel Dual (S/N 42980+).....56
 Gauge Wheel Single.....58
 Gauge Wheel Tire (814-041C).....60
 Gauge Wheel Tire (814-053C).....62
 Hydraulic Cylinder (810-005C).....64
 Hydraulic Cylinder (810-162C).....66
 Hydraulic Cylinder (810-162C) Red Lion.....68
 Rake Angling Kit.....70

LR35 SERIES

Section 2: Frame & Rake.....72
 Frame & Rake.....72
Section 3: Labels.....74
 Label Placement.....74
Section 4: Options.....76
 Flip Down Grader Blade.....76
 Gauge Wheel Dual.....78
 Gauge Wheel Single.....80
 Gauge Wheel Tire (814-041C).....82
 Gauge Wheel Tire (814-053C).....84
 Hydraulic Cylinder (810-162C).....86
 Hydraulic Cylinder (810-162C) Red Lion.....88

Part Number Index.....90

© Copyright 2008. All rights reserved.

Land Pride provides this publication "as is" without warranty of any kind, either expressed or implied. While every precaution has been taken in the preparation of this manual, Land Pride assumes no responsibility for errors or omissions. Neither is any liability assumed for damages resulting from the use of the information contained herein. Land Pride reserves the right to revise and improve its products as it sees fit. This publication describes the state of this product at the time of its publication, and may not reflect the product in the future. The illustrations in this manual are not intended for safe and proper assembly or disassembly of equipment. The illustrations are intended for ordering parts only.

Land Pride is registered trademark.

All other brands and product names are trademarks or registered trademarks of their respective holders.

Printed in the United States of America.



Alphabetized Table of Contents

LR05 SERIES

D
Dual Gauge Wheel.....14

F
Flip Down Grader Blade.....16
Frame and Rake (S/N 106399-).....6
Frame and Rake (S/N 106400+).....8

L
Label Placement (S/N 106399-).....10
Label Placement (S/N 106400+).....12

S
Single Gauge Wheel (S/N 106399-).....18
Single Gauge Wheel (S/N 106400+).....20

LR15 SERIES

F
Flip Down Grader Blade.....34
Frame and Rake (S/N 33159-).....22
Frame and Rake (S/N 33160).....24
Frame and Rake (S/N 42980+).....26

G
Gauge Wheel Dual (S/N 42979-).....36
Gauge Wheel Dual (S/N 42980+).....38
Gauge Wheel Tire (814-041C).....40
Gauge Wheel Tire (814-053C).....42

L
Label Placement (S/N 33159-).....28
Label Placement (S/N 33160).....30
Label Placement (S/N 42980+).....32

LR25 SERIES

F
Flip Down Grader Blade.....52
Frame and Rake (S/N 42980+).....44
Frame and Rake (SN 42979-).....46

G
Gauge Wheel Dual (S/N 42979-).....54
Gauge Wheel Dual (S/N 42980+).....56
Gauge Wheel Single.....58
Gauge Wheel Tire (814-041C).....60
Gauge Wheel Tire (814-053C).....62

H
Hydraulic Cylinder (810-005C).....64
Hydraulic Cylinder (810-162C).....66
Hydraulic Cylinder (810-162C) Red Lion.....68

L
Label Placement (S/N 42979-).....48
Label Placement (S/N 42980+).....50

R
Rake Angling Kit.....70

LR35 SERIES

F
Flip Down Grader Blade.....76
Frame & Rake.....72

G
Gauge Wheel Dual.....78
Gauge Wheel Single.....80
Gauge Wheel Tire (814-041C).....82
Gauge Wheel Tire (814-053C).....84

H
Hydraulic Cylinder (810-162C).....86
Hydraulic Cylinder (810-162C) Red Lion.....88

L
Label Placement.....74

General Information

Using This Manual

This manual is divided into sections. The first section contains General Information. The remaining sections divide the machine into segments (i.e. Frames, Drives, Hydraulics, etc.) which illustrate and list all parts. A Parts Number Index is located at the back of the book.

The Land Pride parts in this manual are specially designed for this machine and should be replaced with Land Pride parts only.

The information in this manual is current at time of printing. Some parts may change to assure top performance.

Right-hand and left-hand as used in this manual are determined by facing the direction the machine will travel while in use.

Below is an example of two facing pages from a parts manual. Familiarize yourself with the type of information contained on these pages.

Manual Replacement Information

Replacement manuals are available. Refer to our website at www.landpride.com, the Land Pride Support Center CD or e-mail us at lit@landpride.com for additional information. Our website continues to provide the most up-to-date manuals available.

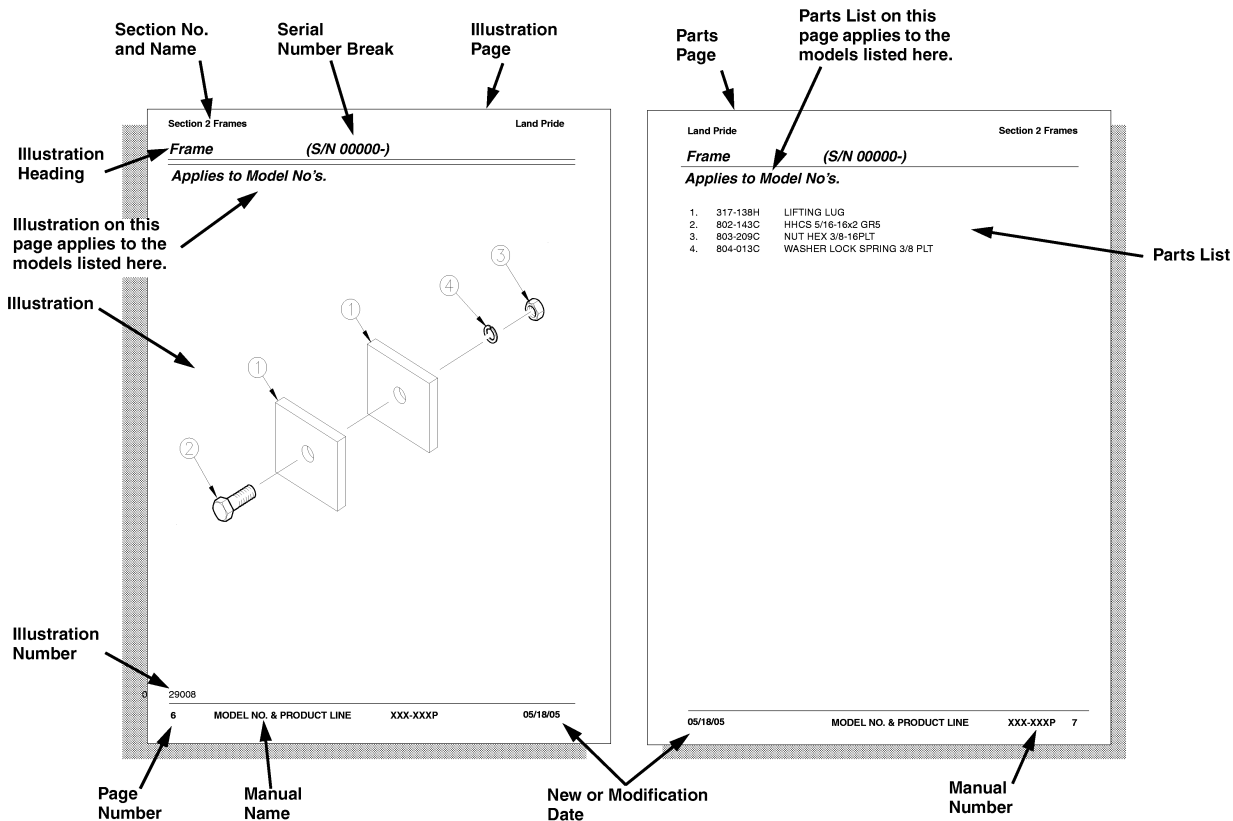
Touch-up Paint

Repaint parts where paint is worn or scratched to prevent rust. Aerosol cans and touch-up bottles with brush applicator are available through your local dealer. Land Pride color descriptions and part numbers are listed below. Also available are quart and gallon size paints. Add QT or GL to end of the Aerosol P/N.

Color	Product ¹	Aerosol	Touch-Up
Gloss Black	LP	821-032C	821-032CTU
Medium Gloss Black	UV	821-053C	821-053CTU
Beige	LP	821-011C	821-011CTU
Green	SLP	821-058C	821-058CTU
Orange	SLP	821-066C	821-066CTU
Red	SLP/UV	821-054C	821-054CTU
Blue	SLP/UV	821-067C	821-067CTU
Dark Green Sparkle	UV	821-055C	821-055CTU
Gondo Forest Green	UV	821-057C	821-057CTU
Brite Yellow ²	UV	821-056C	821-056CTU
Gondo Yellow ³	UV	821-059C	821-059CTU

Notes:

- 1 LP = All Land Pride Products except Utility Vehicles
SLP = Select Land Pride Products that are available in optional Green, Orange, Red, & Blue colors.
UV = Utility Vehicles
- 2 Used on Trekers and (Runabouts with S/N 407628-)
- 3 Used on Gondos and (Runabouts with S/N 407629+)



General Information

Hardware Legend

AR	As Required
BLADE	Blade Bolt
C	Cap Screw
CP	Cotter Pin
CPHSSS	Cup Point Hex Socket Set Screw
CPSHSS	Cup Point Square Head Set Screw
CPSQHSS	Cup Point Square Head Set Screw
CRFCHMS3	Cross Recess Flat Countersunk Head Machine Screw
CRPHMS	Cross Recess Pan Head Machine Screw
CRPHTF	Cross Recess Pan Head Thread Forming
CRRHMS	Cross Recess Round Head Machine Screw
CRTHMS	Cross Recess Truss Head Machine Screw
CSNB	Countersunk Square Neck Bolt
FHMS	Flat Head Machine Screw
FTC	Full Thread Cap Screw
H	Hex Nut
HCLN	Hex Center Lock Nut
HFLCS	Hex Flange Lock Cap Screw
HFS	Hex Flange Screw
HFSLN	Hex Flange Serrated Lock Nut
HFSS	Hex Flange Serrated Screw
HHCS	Hex Head Cap Screw or Metric Bolt
HSBHCS	Hex Socket Button Head Cap Screw
HSFCHCS	Hex Socket Flat Countersunk Head Cap Screw
HSHCS	Hex Socket Head Cap Screw
HSSS	Hex Socket Head Screw
HTLN	Hex Top Lock Nut
HWHCS	Hex Washer Head Cap Screw

HWHMS	Hex Washer Head Machine Screw
HXBHCS	Hex Socket Button Head Cap Screw
J	Hex Jam Nut
JIC	37 Degree Tapered Thread
L	Helical Spring Lock Washer
LUG	Lug Bolt
NFC	National Fine Cap Screw
NPSM	National Pipe Straight Mechanical
NPTF	National Pipe Taper Fuel
P	Wide Plain Washer
PHMS	Pan Head Machine Screw
PLOW	Plow Bolt
RHMS	Round Head Machine Screw
RHSNB	Round Head Square Neck Bolt
SCREW LEVELING	Leveling Screw
SCREW THUMB	Thumb Screw
SCREW WELD	Weld Screw
SFCHMS	Slotted Flat Countersunk Head Machine Screw
SFHMS	Slotted Fillister Head Machine Screw
SP	Special
SP SCREW	Special Screw
SQHSS	Square Head Set Screw
SRHMS	Slotted Round Head Machine Screw
SSS	Socket Set Screw
STCS	Self Tapping Cap Screw
STHMS	Slotted Truss Head Machine Screw
WHEEL	Wheel Studs and Hub Long Bolts
WING	Wing Bolt

Replacement Hardware

The **Hardware Legend** above lists hardware abbreviations used in the parts list. All bolts and nuts are Grade 5 unless otherwise noted. The use of improper grades of hardware can result in personal injury, damage to equipment, or loss of property.

Colored Replacement Parts

Land Pride offers replacement parts in factory standard colors and also on select models in Green, Orange, Red and Blue. Because of the variety of colors available, special attention must be given to the part number to prevent ordering the wrong replacement part.

A suffix number corresponding to one of the colors below must be added at the end of Land Pride's part number when ordering a replacement part with that color.

- | | |
|-----------------------------------|---------------------------------|
| 81 Green | 83 Red |
| 82 Orange | 84 Blue |

For example, if you are ordering a replacement part with part number 555-555C and the part you need is red, then add the suffix 83 to the end of the number to make the part number read 555-555C83. Parts ordered without a suffix number will be supplied in factory standard colors.

Black Replacement Parts

Some parts are factory standard black and some must be special ordered black. If your part is special ordered black, a second part number with the additional suffix number 85 on the end will be available. In this situation you must order that part with the suffix number for it to be black. Parts that are factory standard black will not have the suffix number.

Part Number Service Coding

Within the parts list some part numbers are coded for revisions and interchangeability. See notations in revision column.

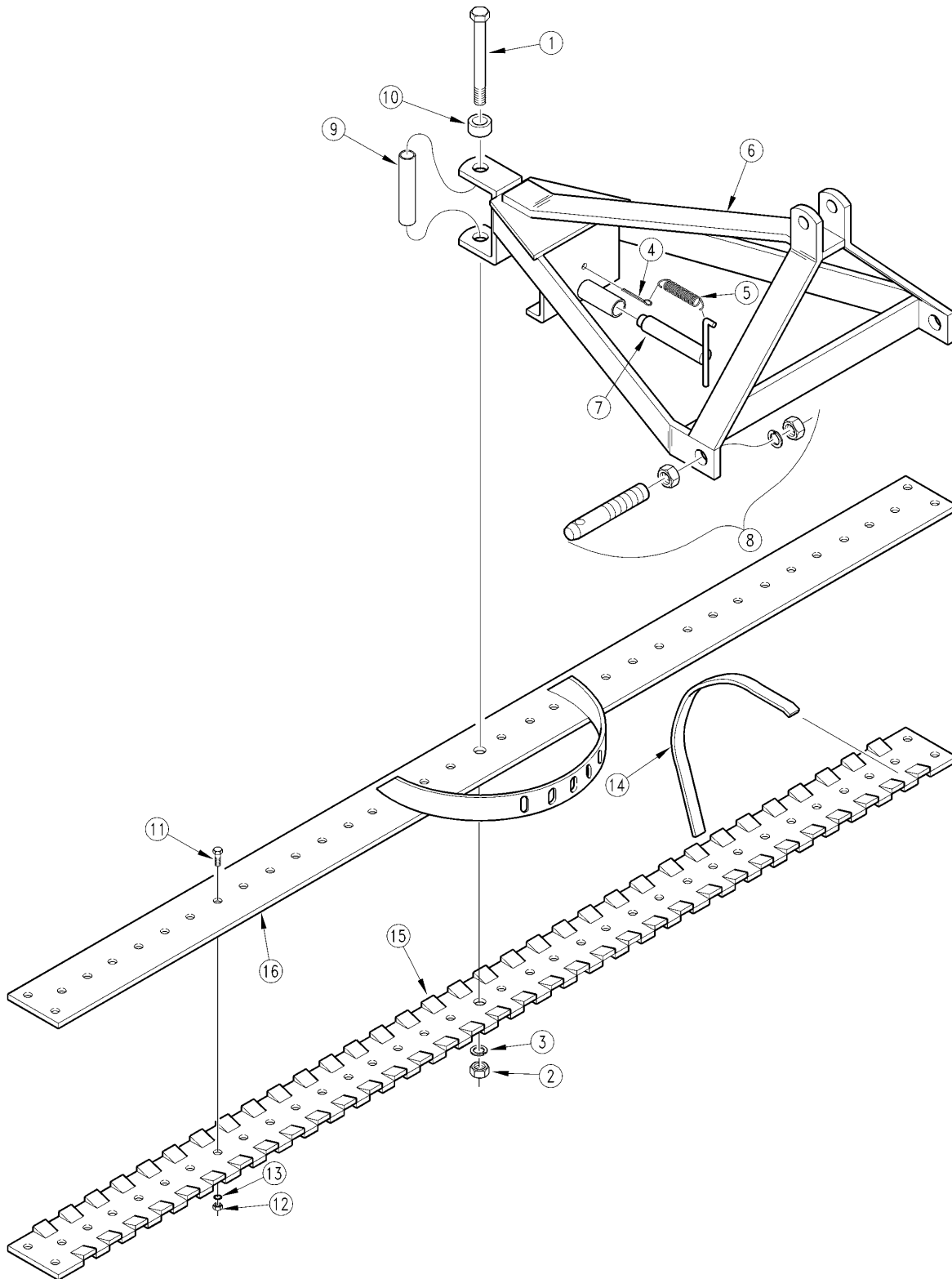
Serial Numbers

Always use the serial and model number when ordering parts. Refer to the Operator's Manual for serial number plate location.

- | | |
|----------------------|--|
| (S/N 20001+) | Includes serial numbers 20001 and above (to the latest number) |
| (S/N 10001 to 20000) | Includes serial numbers between and including 10001 and 20000 |
| (S/N 10000-) | Includes serial numbers 10000 and below (to the earliest number) |

Frame and Rake (S/N 106399-)

Applies to LR0548, LR0560, LR0572



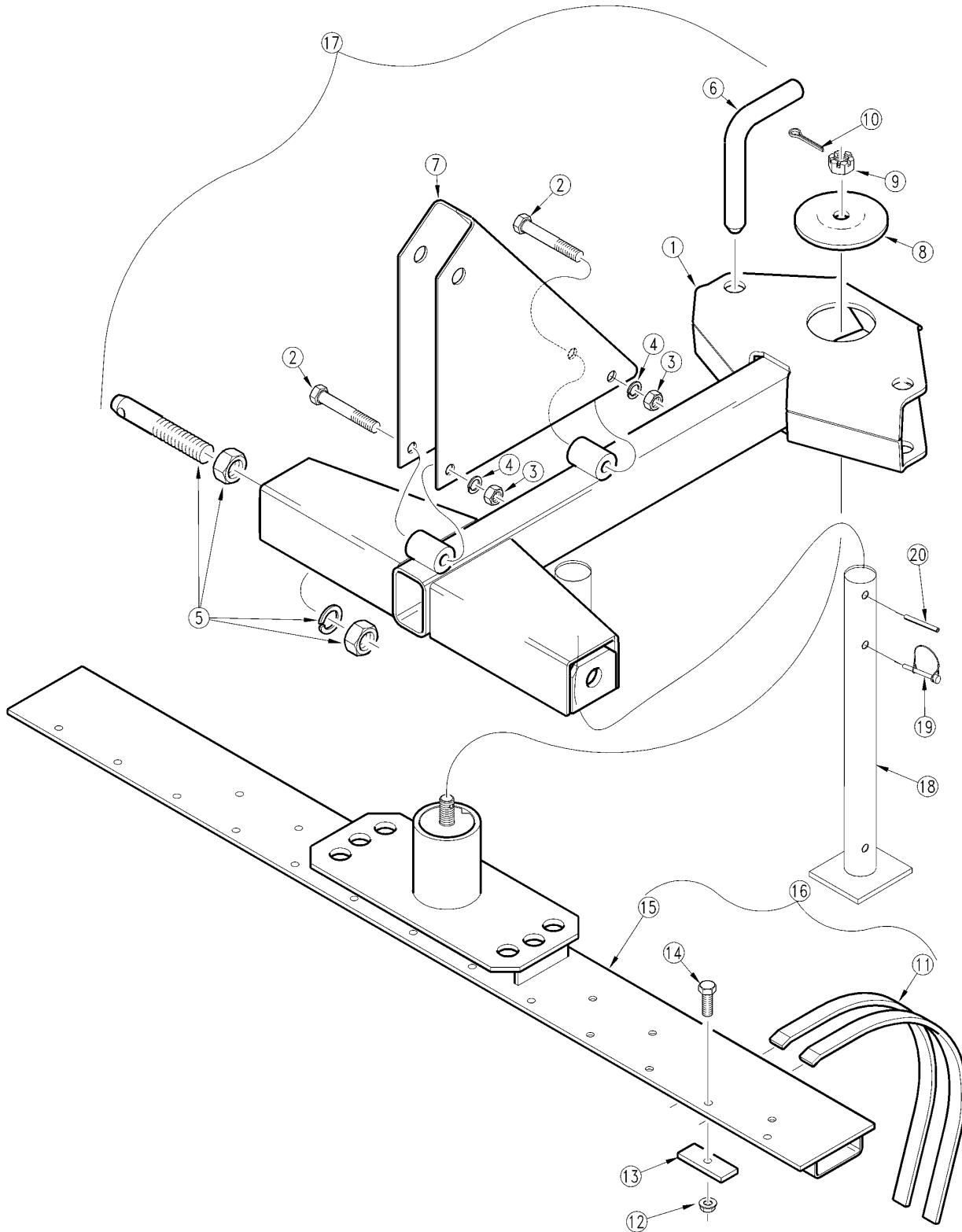
10813

Frame and Rake (S/N 106399-)**Applies to LR0548, LR0560, LR0572**

Ref	Part No.	Part Description	Comments	Revision
	dwg10813	Drawing Image Number		
1.	802-146C	HHCS 5/8-11X7 1/2 GR5		
2.	803-021C	NUT HEX 5/8-11 PLT		
3.	804-022C	WASHER LOCK SPRING 5/8 PLT		
4.	805-109C	PIN COTTER 1/8 X 1 1/4 PLT		
5.	807-038C	SPRING 5/8 OD X 3 1/4.072 WIRE		
6.	300-050H	05 SERIES RAKE FRAME WELDMENT		
7.	300-052H	PIVOT PIN WELDMENT		
8.	805-111C	PIN DRAW 7/8 X 5		
9.	300-176D	PIVOT TUBE		
10.	300-177D	BOSS		
11.	802-010C	HHCS 5/16-18X1 1/4 GR5		
12.	803-008C	NUT HEX 5/16-18 PLT		
13.	804-059C	WASHER INT-EXT 5/16 PLT		
14.	820-036C	RAKE TOOTH 3/4		
15.	302-003H	4' LOWER MOUNT PLATE WELDMENT		
15.	302-006H	6' LOWER MOUNT PLATE WELDMENT		
16.	302-002H	4' RAKE QUADRANT WELDMENT		
16.	302-005H	6' RAKE UPPER BAR MOUNT		

Frame and Rake (S/N 106400+)

Applies to LR0548, LR0560, LR0572



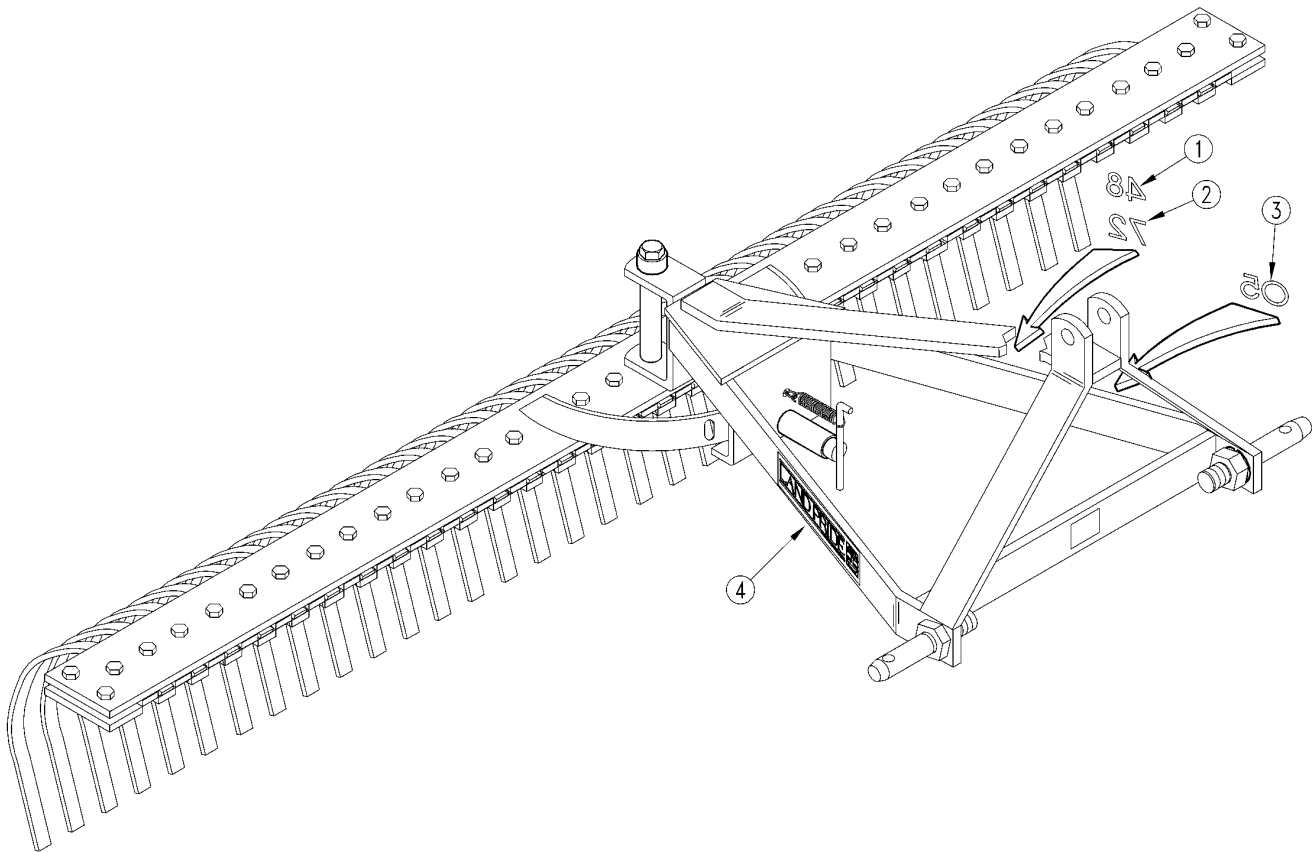
12009

Frame and Rake (S/N 106400+)**Applies to LR0548, LR0560, LR0572**

Ref	Part No.	Part Description	Comments	Revision
	dwg12009	Drawing Image Number		
1.	300-131H	05 FRAME WELDMENT		
1.	300-131H82	05 FRAME WELDMENT ORANGE		
2.	802-226C	HHCS 1/2-13X2 3/4 GR5		
3.	803-020C	NUT HEX 1/2-13 PLT		
4.	804-015C	WASHER LOCK SPRING 1/2 PLT		
5.	805-111C	PIN DRAW 7/8 X 5		
6.	805-214C	PIN BENT 7/8 OD X 5 1/8 PLATED		Rev. 2
6.	300-337D	PIN LOCK 05 (RPBY 805-214C)		Rev 1; Use up stock
7.	300-370D	UPPER HITCH 05 SERIES		Rev. 2
7.	300-370D82	UPPER HITCH 05 SERIES ORANGE		
7.	300-132H	UPHTCH-05 WLDMT(RPBY 300-370D)		Rev 1; Use up stock
8.	301-151D	05 PIVOT CAP		
9.	803-185C	NUT HEX SLOTTED 5/8-18 PLT		
10.	805-017C	PIN COTTER 3/16 X 1 3/4 PLT		
11.	820-036C	RAKE TOOTH 3/4		
12.	803-177C	NUT HEX LOCK 5/16-18 FLG.		
13.	302-141D	05 RAKE TINE CLIP		
14.	802-010C	HHCS 5/16-18X1 1/4 GR5		
15.	302-190H	05 6' RAKE MOUNT WELDMENT		
15.	302-231H	05 5' RAKE WELDMENT	S/N 382816 +	
15.	302-189H	05 4' RAKE MOUNT WELDMENT		
16.	302-193A	0548 SERIES RAKE ASSY		
16.	302-232A	0560 SERIES RAKE ASSY	S/N 382816 +	
16.	302-194A	0572 SERIES RAKE ASSY		
17.	300-135A	05 SERIES FRAME ASSY		
18.	300-003H	SUPPORT STAND RB05/LR05	S/N 477806+	
19.	805-065C	PIN WIRE RETAINING 1/4 X 1 3/4	S/N 477806+	
20.	805-161C	PIN ROLL 3/8 X 1 3/4 LG PLT	S/N 477806+	

Label Placement (S/N 106399-)

Applies to LR0548, LR0560, LR0572



10820

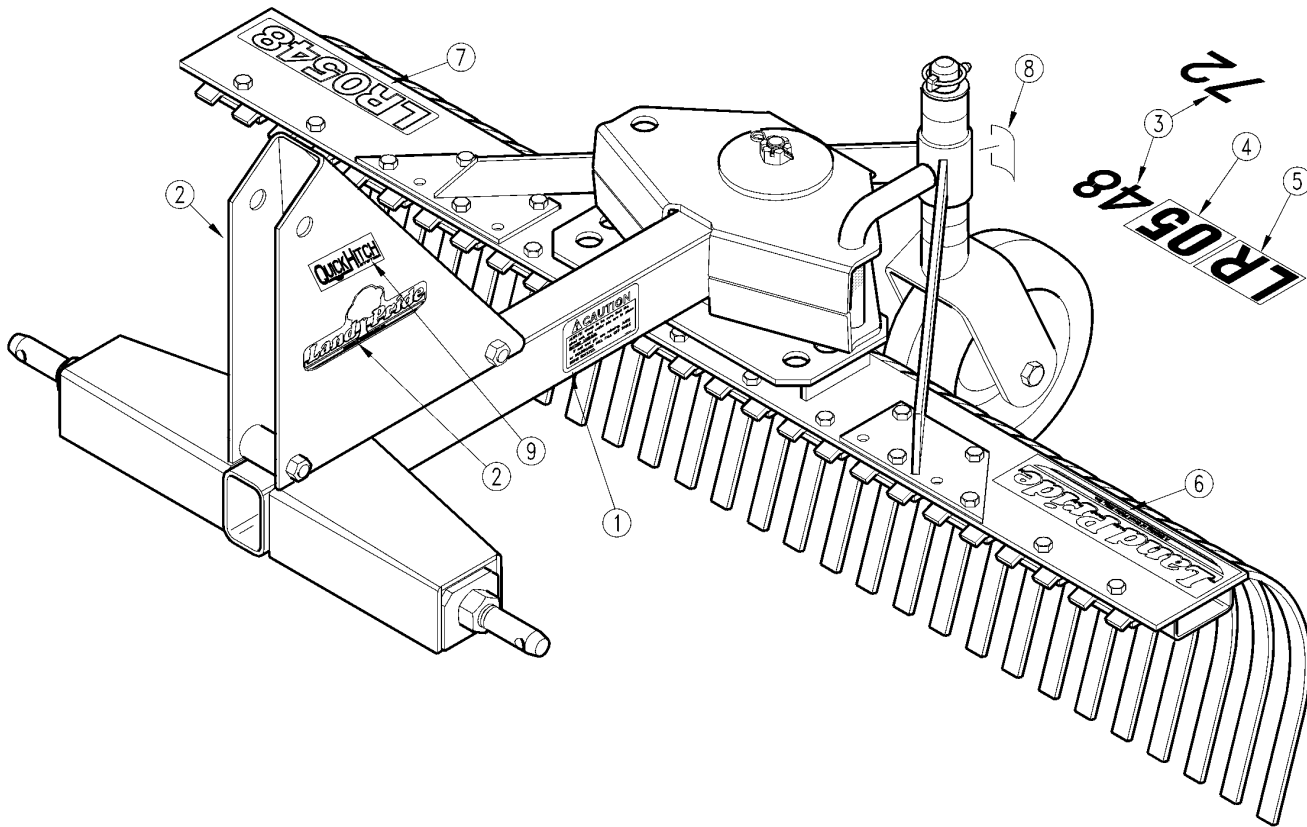
Label Placement (S/N 106399-)

Applies to LR0548, LR0560, LR0572

Ref	Part No.	Part Description	Comments	Revision
	dwg10820	Drawing Image Number		
1.	818-087C	DECAL 48 LP - BLACK		
2.	818-092C	DECAL 72 LP - BLACK		
3.	818-083C	DECAL 05 SERIES LP - BLACK		
4.	818-164C	LP LOGO SMALL GREEN		

Label Placement (S/N 106400+)

Applies to LR0548, LR0560, LR0572



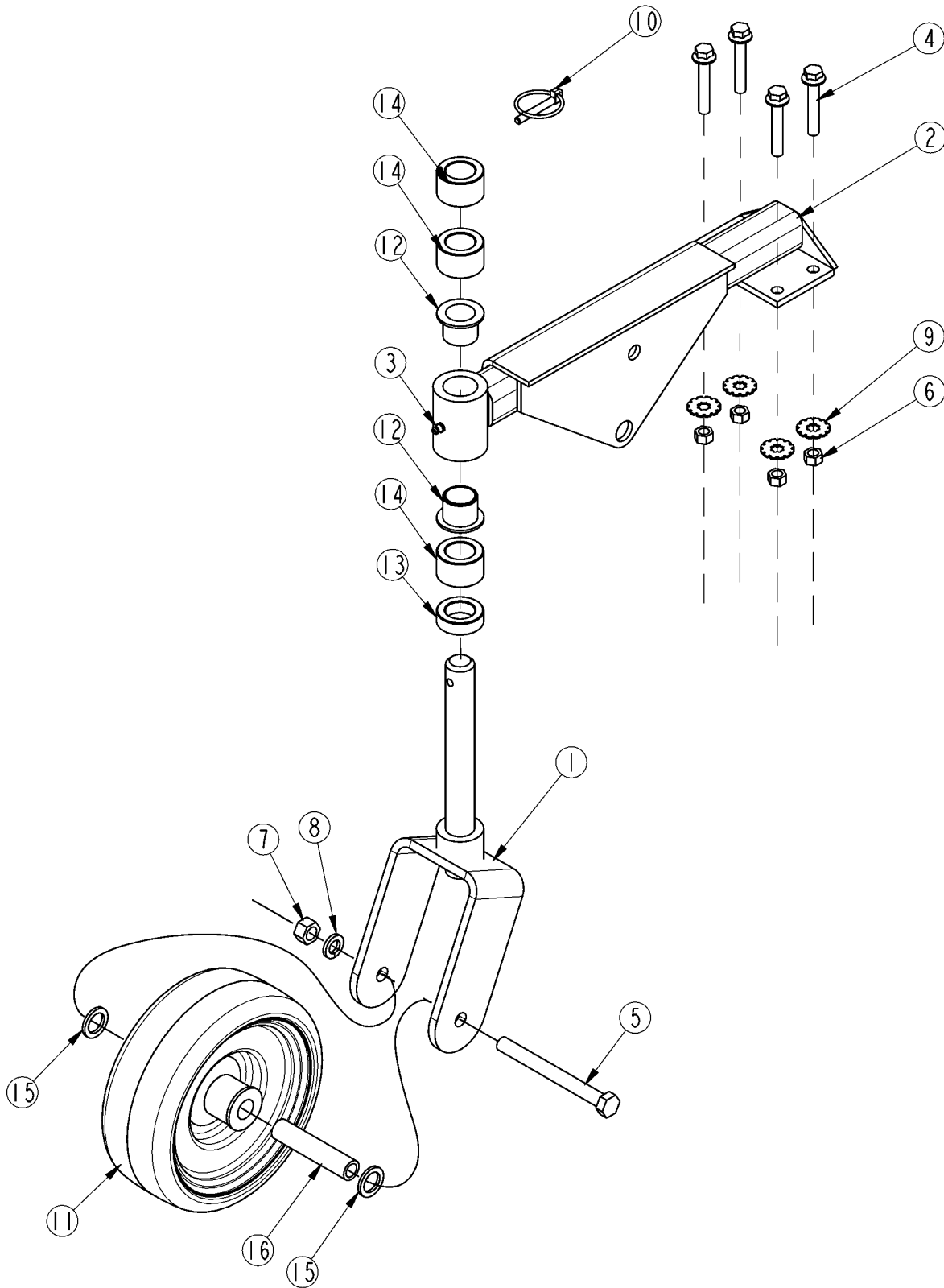
17572

Label Placement (S/N 106400+)**Applies to LR0548, LR0560, LR0572**

Ref	Part No.	Part Description	Comments	Revision
	dwg17572	Drawing Image Number		
	302-196A	LR0548 DECAL PACKAGE		
	302-197A	LR0572 DECAL PACKAGE		
1.	818-202C	DECAL CAUTION FALL MBOARD/RAKE		
2.	818-890C	DECAL LP W/TREE 10" - 2 COLOR	(S/N 252303+) Beige Unit	Rev. 3 not compat. w/Rev. 2.
2.	838-963C	DECAL LP 10" W/TREE BROWN/GOLD	Orange Unit	
3.	818-104C	DECAL 48 LP - BUCKSKIN	(S/N 252302-)	
3.	818-109C	DECAL 72 LP - BUCKSKIN	(S/N 252302-)	
4.	818-100C	DECAL 05 SERIES LP - BUCKSKIN	(S/N 252302-)	
5.	818-735C	DECAL LR LAND PRIDE BUCKSKIN	(S/N 252302-)	
6.	838-036C	DECAL LANDPRIDE 6"- BEIGE	(S/N 252303+)	
7.	818-993C	DECAL LR0572-BEIGE	(S/N 252303+)	
7.	838-484C	DECAL LR0560-BEIGE	(S/N 382816+)	
7.	818-992C	DECAL LR0548-BEIGE	(S/N 252303+)	
8.	818-335C	DECAL RED NARROW REFLECTOR		
9.	838-517C	DECAL QUICK HITCH SYSTEM		

Dual Gauge Wheel

Applies to LR0548, LR0560, LR0572



20991

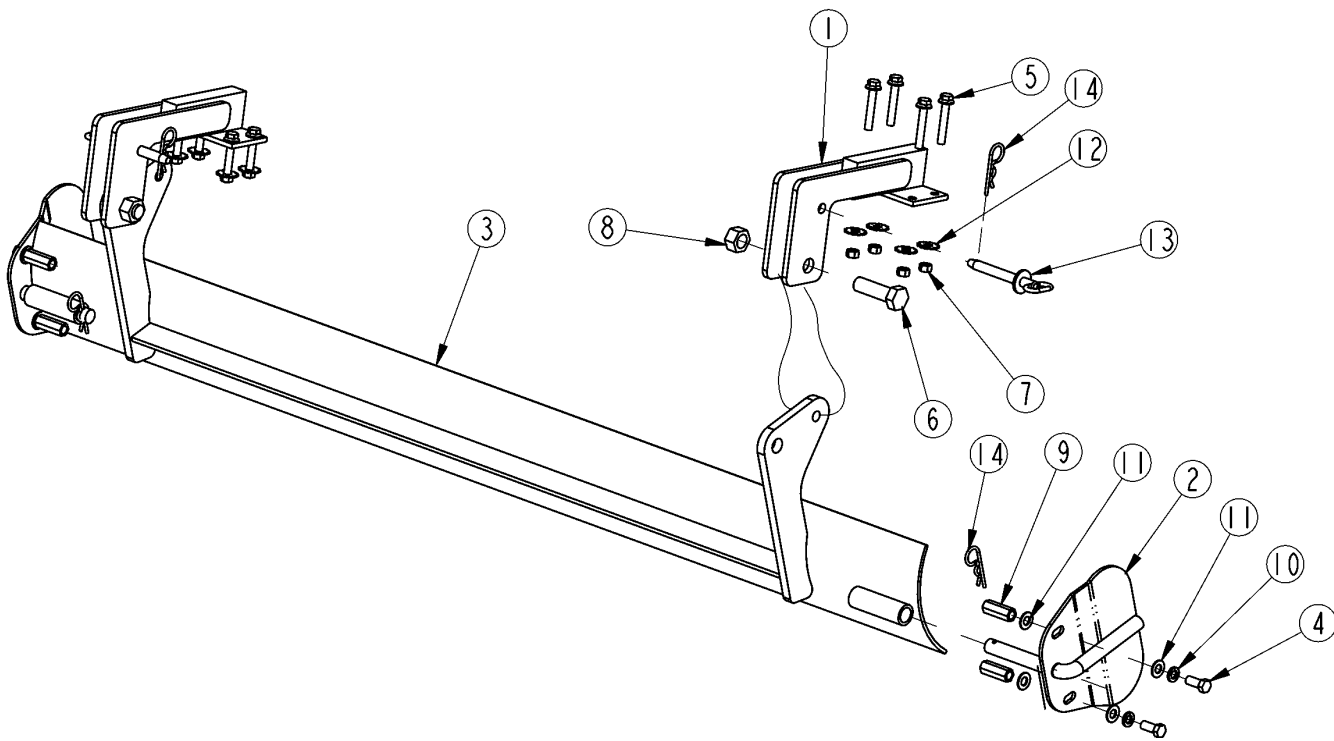
Dual Gauge Wheel

Applies to LR0548, LR0560, LR0572

Ref	Part No.	Part Description	Comments	Revision
	dwg20991	Drawing Image Number		
	302-258A	LR05 DUAL GAUGE WHEEL ASS		
1.	302-198H	LR05 GAUGE WHEEL YOKE		
2.	302-259H	LR05 DUAL GW MTG WELD		
3.	800-001C	GREASE ZERK STRAIGHT 1/4-28		
4.	802-191C	HFSS 3/8-16X2 1/4 GR5		
5.	802-322C	HHCS 1/2-20X5 GR5		
6.	803-014C	NUT HEX 3/8-16 PLT		
7.	803-018C	NUT HEX 1/2-20 PLT		
8.	804-015C	WASHER LOCK SPRING 1/2 PLT		
9.	804-060C	WASHER INT-EXT 3/8 PLT		
10.	805-126C	PIN LYNCH 1/4 X 1 3/4 PLT		
11.	814-079C	TIRE/WHEEL ASSY 18X9.50X8		
12.	817-048C	SPINDLE BUSHING		
13.	827-001C	SPACER 1/2		
14.	827-002C	SPACER 1		
15.	827-007C	G.W. SPACER TUBE-SHORT		
16.	827-012C	G.W. SPACER TUBE-LONG		

Flip Down Grader Blade

Applies to LR0548, LR0560, LR0572



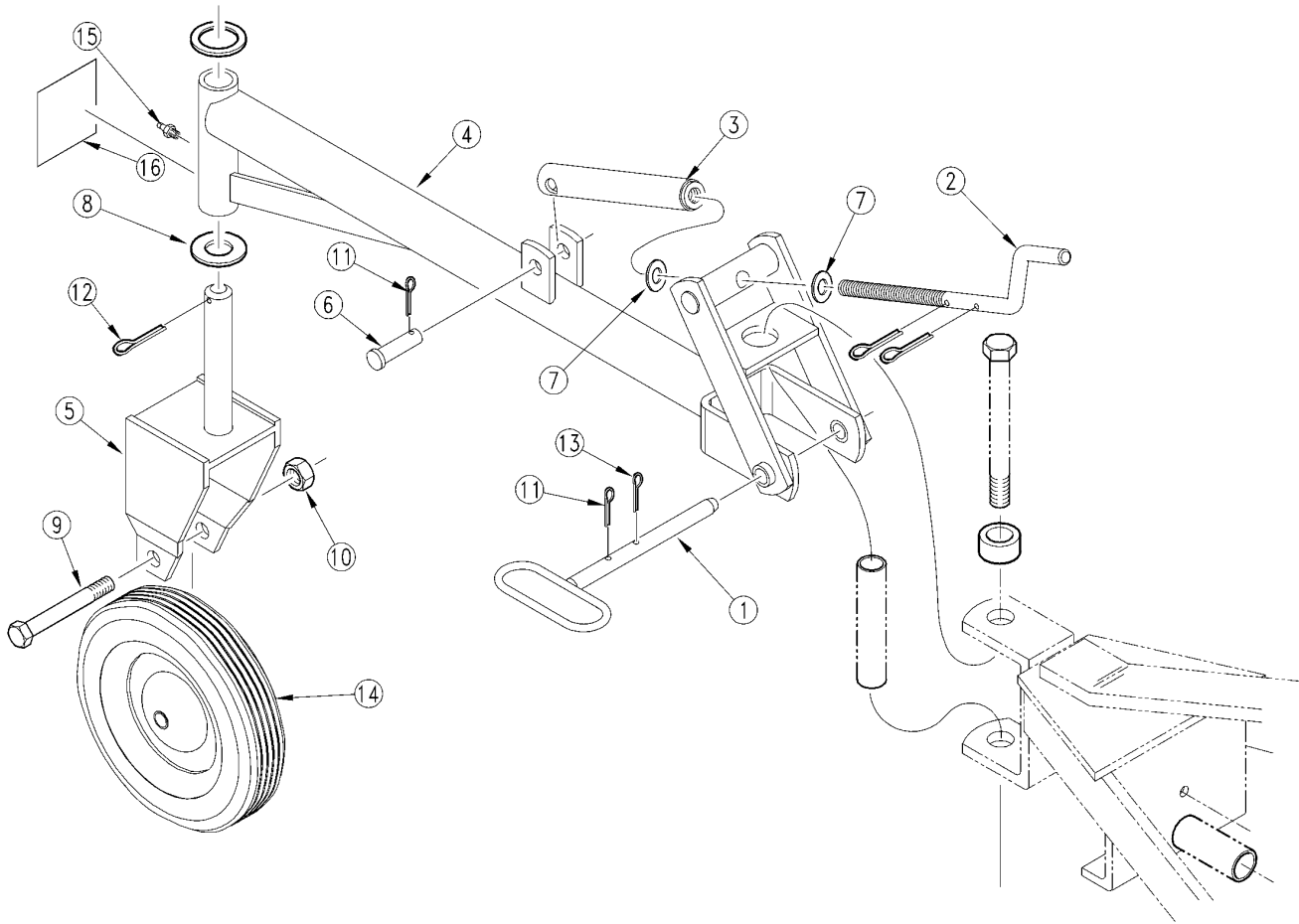
20992

Flip Down Grader Blade**Applies to LR0548, LR0560, LR0572**

Ref	Part No.	Part Description	Comments	Revision
	dwg20992	Drawing Image Number		
	302-236A	0548 BLADE/SIDE PLT ASSY		
	302-250A	0560 BLADE/SIDE PLT ASSY		
	302-252A	0572 BLADE/SIDE PLT ASSY		
1.	302-234H	05 GRADER BLADE MOUNT		
2.	302-235H	05 SIDE PLT WELD		
3.	302-249H	0560 GRADER BLADE WELD		
4.	802-080C	HHCS 7/16-14X1 GR5		
5.	802-191C	HFSS 3/8-16X2 1/4 GR5		
6.	802-212C	HHCS 3/4-10X2 1/2 GR5		
7.	803-014C	NUT HEX 3/8-16 PLT		
8.	803-026C	NUT LOCK 3/4-10 PLT		
9.	803-067C	NUT HEX CPLR 7/16-14X1 3/4 PLT		
10.	804-014C	WASHER LOCK 7/16 PLT		
11.	804-041C	WASHER FLAT 7/16 SAE PLT		
12.	804-060C	WASHER INT-EXT 3/8 PLT		
13.	805-002C	PIN HITCH 1/2 X 3 USABLE LG		
14.	805-032C	PIN HAIR COTTER .148 WIRE		

Single Gauge Wheel (S/N 106399-)

Applies to LR0548, LR0560, LR0572



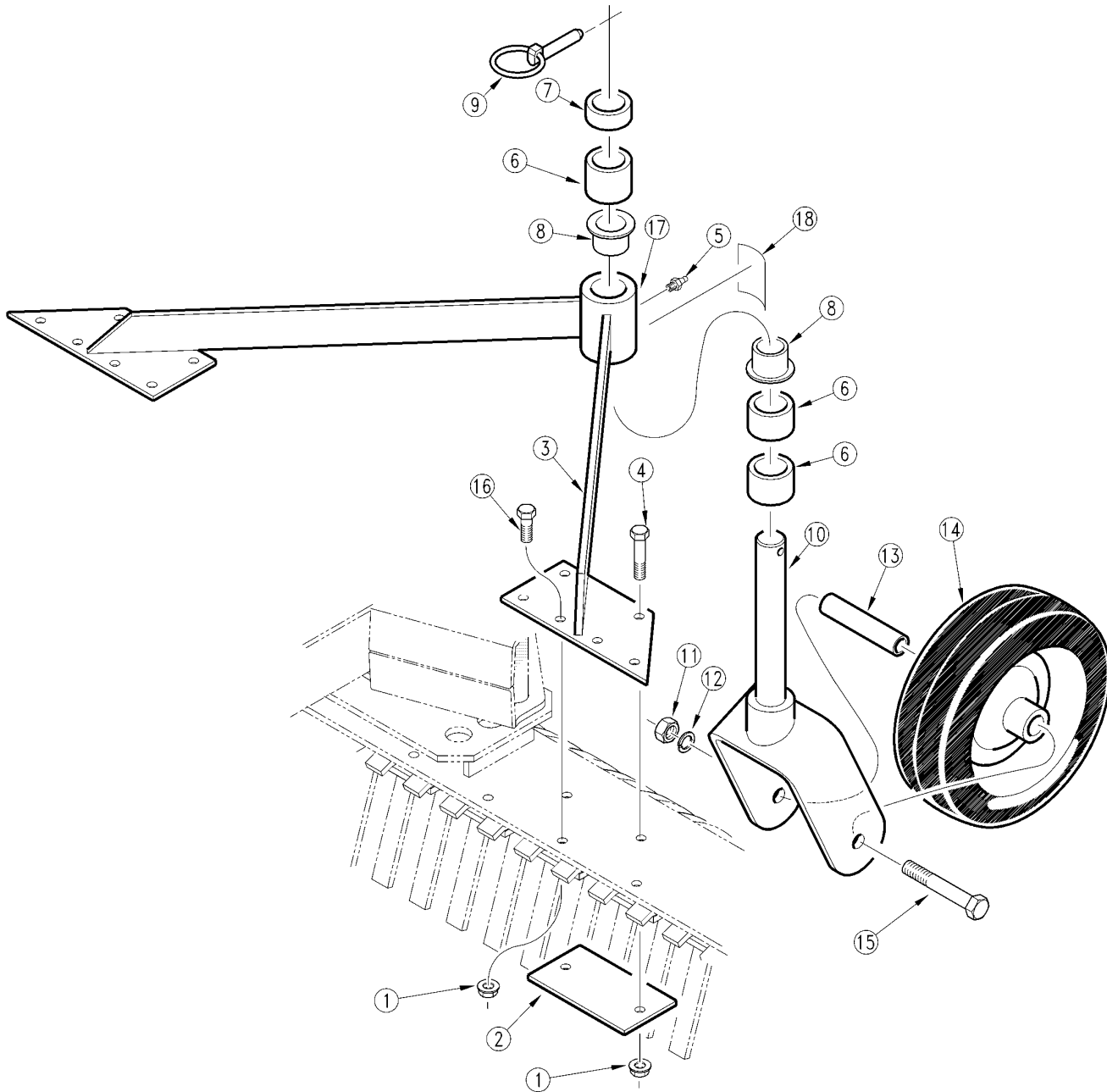
11412

Single Gauge Wheel (S/N 106399-)**Applies to LR0548, LR0560, LR0572**

Ref	Part No.	Part Description	Comments	Revision
	dwg11412	Drawing Image Number		
	302-020A	05 SERIES RAKE SINGLE GW ASSY	Includes one of items 1 through 6; 8; 9; 10 and 12 through 15; two of item 7 and three of item 11	
1.	302-031H	GAUGE WHEEL PIN WELDMENT		
2.	890-138C	CRANK 1/2		
3.	302-025H	TURNBUCKLE		
4.	302-021H	GAUGE WHEEL FRAME WELDMENT		
5.	302-024H	YOKE WELDMENT		
6.	805-127C	PIN CLEVIS 1/2 X 1 3/4		
7.	804-016C	WASHER FLAT 1/2 SAE PLT		
8.	804-061C	WASHER MACH 1.50 X 1.00 X 18GA		
9.	802-039C	HHCS 1/2-13X3 GR5		
10.	803-019C	NUT LOCK 1/2-13 PLT		
11.	805-045C	PIN COTTER 5/32 X 1 1/4 LG		
12.	805-089C	PIN COTTER 5/32 X 1 1/2 LONG		
13.	805-032C	PIN HAIR COTTER .148 WIRE		
14.	814-040C	WHEEL & TIRE 8 X 1.75 RIB		
15.	800-001C	GREASE ZERK STRAIGHT 1/4-28		
16.	818-298C	DECAL GREASE 25HRS BLACK/WHITE		

Single Gauge Wheel (S/N 106400+)

Applies to LR0548, LR0560, LR0572



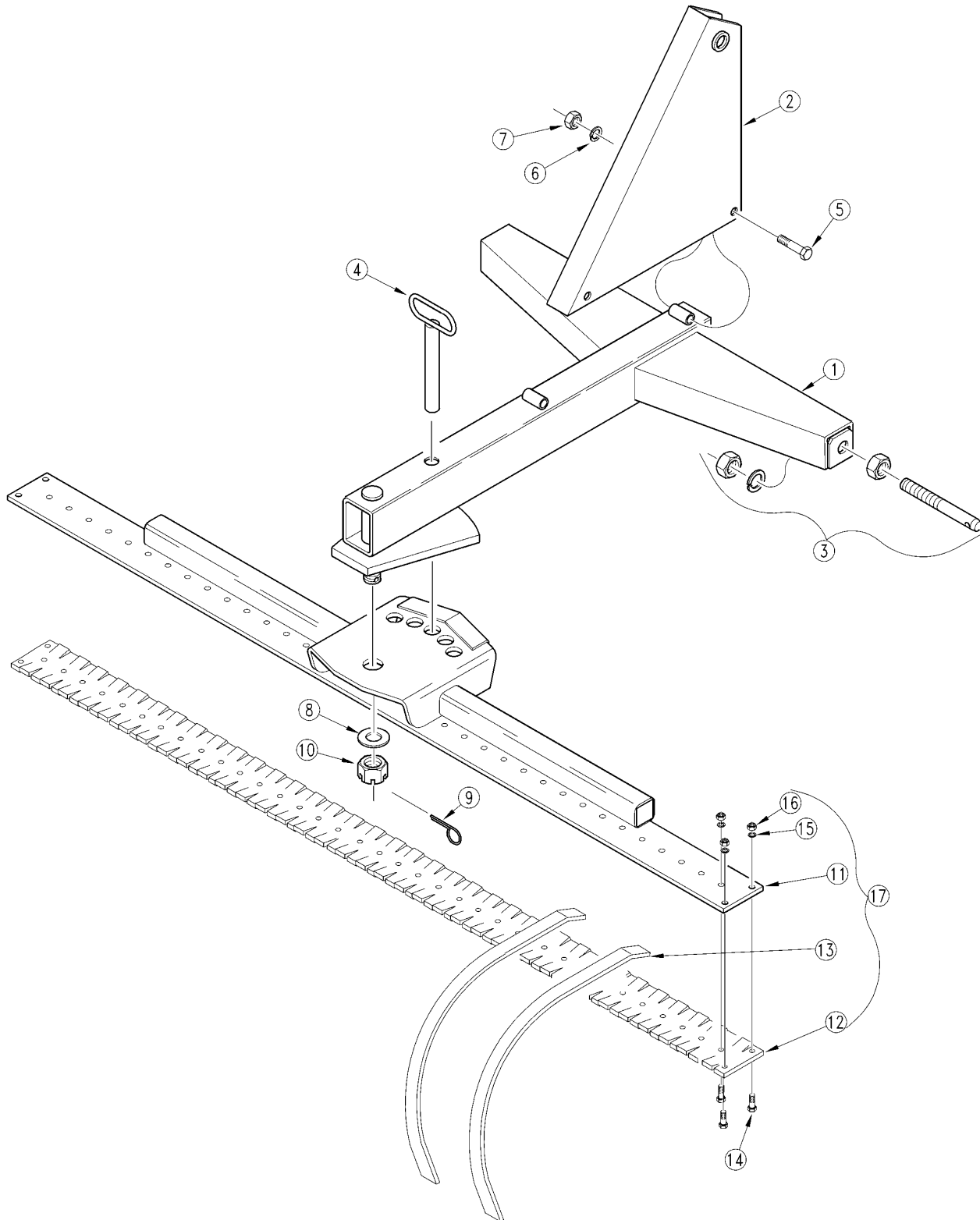
12010

Single Gauge Wheel (S/N 106400+)**Applies to LR0548, LR0560, LR0572**

Ref	Part No.	Part Description	Comments	Revision
	dwg12010	Drawing Image Number		
	302-195A	05 SERIES GAUGE WHEEL ASSY		
1.	803-177C	NUT HEX LOCK 5/16-18 FLG.		
2.	302-152D	GAUGE WHEEL BOLT PLATE		
3.	302-191H	GAUGE WHEEL ARM WELDMENT		
4.	802-138C	HHCS 5/16-18X2 1/4 GR5		
5.	800-001C	GREASE ZERK STRAIGHT 1/4-28		
6.	827-002C	SPACER 1"		
7.	827-001C	SPACER 1/2"		
8.	817-048C	SPINDLE BUSHING		
9.	805-126C	PIN LYNCH 1/4 X 1 3/4 PLT		
10.	302-198H	GAUGE WHEEL YOKE 1560		
11.	803-018C	NUT HEX 1/2-20 PLT		
12.	804-015C	WASHER LOCK SPRING 1/2 PLT		
13.	827-012C	G.W. SPACER TUBE-LONG		Rev. 2
13.	310-305D	GW SPCR TB-LNG (RPBY 827-012C)		Rev 1; Use up stock
14.	814-079C	WHEEL-SOLID 2 3/4 X 8 1/4		
15.	802-322C	HHCS 1/2-20X5 GR5		
16.	802-012C	HHCS 5/16-18X1 1/2 GR5		
17.	818-298C	DECAL GREASE 25HRS BLACK/WHITE		
18.	818-335C	DECAL RED NARROW REFLECTOR		

Frame and Rake (S/N 33159-)

Applies to LR1560, LR1572, LR1584, LR1596



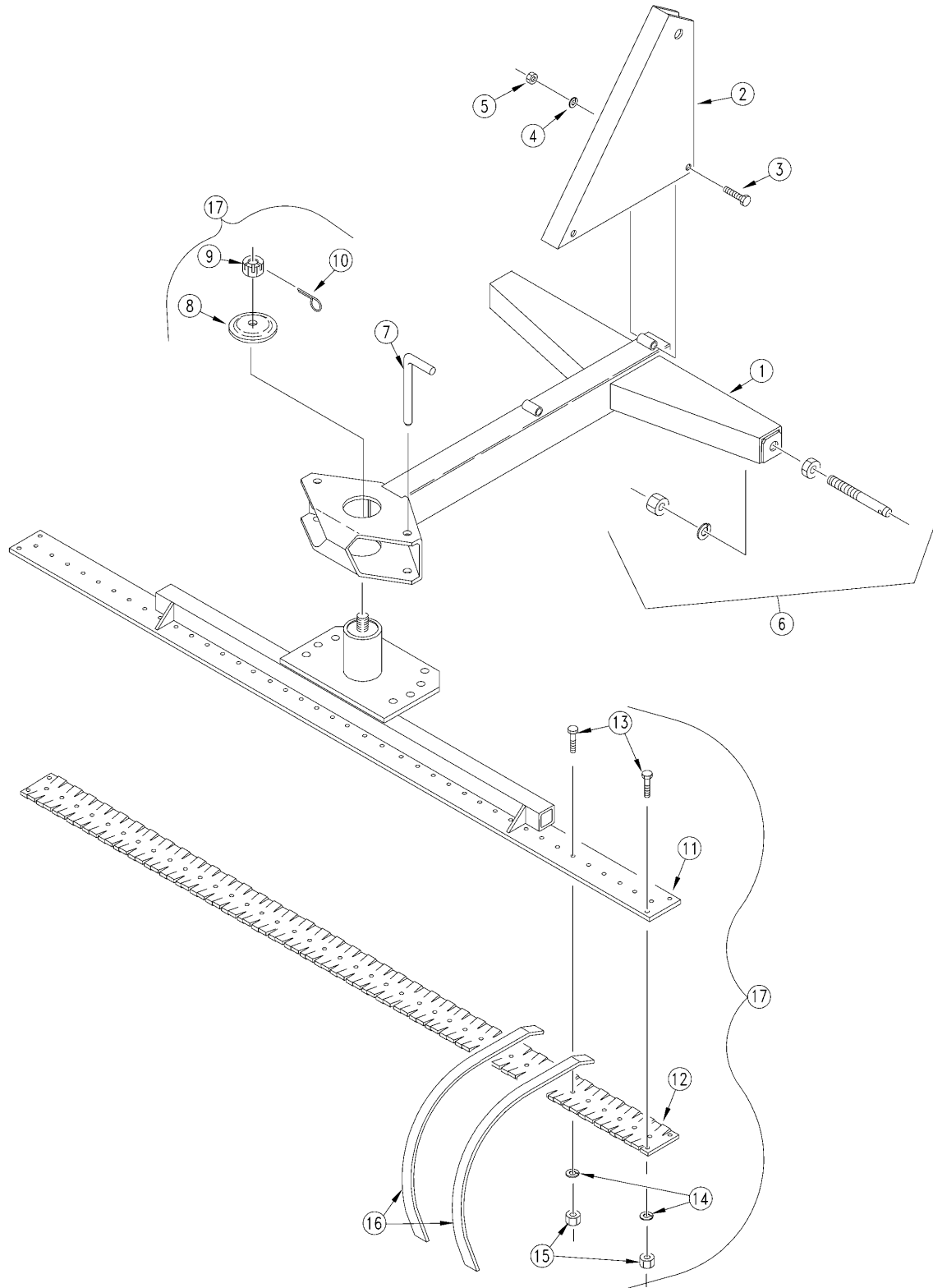
15184

Frame and Rake (S/N 33159-)**Applies to LR1560, LR1572, LR1584, LR1596**

Ref	Part No.	Part Description	Comments	Revision
	dwg15184	Image Reference: 15184		
1.	300-063H	15 SERIES FRAME		
2.	300-060H	REPL BY 300-190D		
3.	805-111C	PIN DRAW 7/8 X 5		
4.	300-053H	PIN WELDMENT		
5.	802-099C	HHCS 1/2-13X3 1/4 GR5		
6.	804-015C	WASHER LOCK SPRING 1/2 PLT		
7.	803-020C	NUT HEX 1/2-13 PLT		
8.	804-055C	WASHER SPINDLE - 7/8		
9.	805-016C	PIN COTTER 3/16 X 1 1/4 PLT		
10.	803-029C	NUT HEX SLOTTED 7/8-14 PLT		
11.	302-115H	15 SERIES - 6' RAKE MOUNT		
11.	302-116H	15 SERIES - 7' RAKE MOUNT		
11.	302-117H	15 SERIES - 8' RAKE MOUNT		
12.	302-008D	6' RAKE LOWER MOUNTING PLATE		
12.	302-066D	7' LOWER MOUNTING PLATE		
12.	302-014D	8' RAKE LOWER MOUNTING PLATE		
13.	820-037C	RAKE TOOTH 1		
14.	802-022C	HHCS 3/8-16X1 1/2 GR5		
15.	804-060C	WASHER INT-EXT 3/8 PLT		
16.	803-014C	NUT HEX 3/8-16 PLT		
17.	302-007A	15 SERIES - 6' RAKE ASSEMBLY	Includes one of items 11 and 12; thirty six of item 13 and thirty nine of items 14; 15 and 16	
17.	302-076A	15 SERIES - 7' RAKE ASSEMBLY	Includes one of items 11 and 12; fourty two of item 13 and forty five of items 14; 15 and 16	
17.	302-010A	15 SERIES - 8' RAKE ASSEMBLY	Includes one of items 11 and 12; fourty eight of item 13 and fifty one of items 14; 15 and 16	

Frame and Rake (S/N 33160)

Applies to LR1560, LR1572, LR1584, LR1596



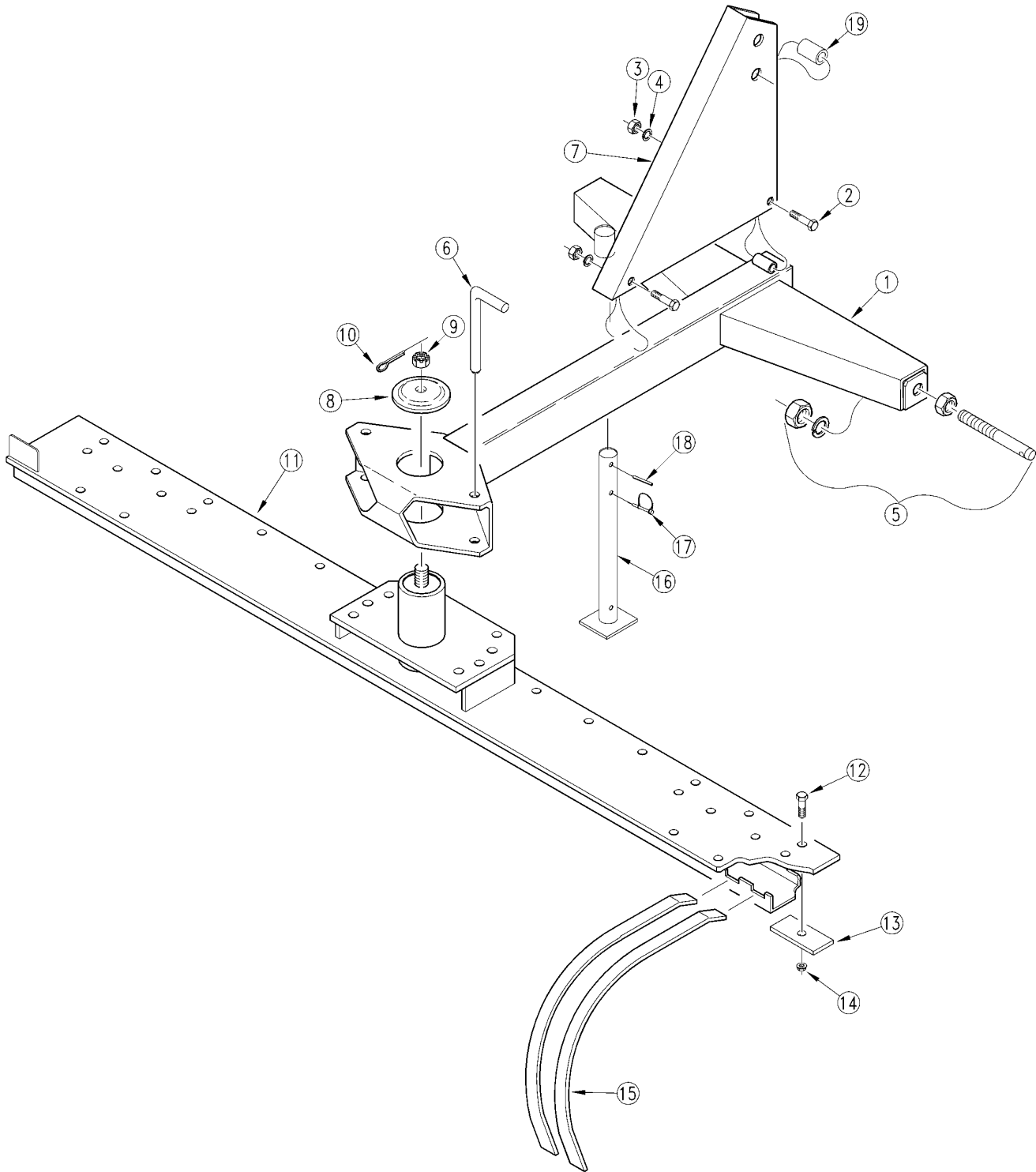
10409

Frame and Rake (S/N 33160)**Applies to LR1560, LR1572, LR1584, LR1596**

Ref	Part No.	Part Description	Comments	Revision
	dwg10409	Drawing Image Number		
	300-109A	15 SERIES FRAME BUNDLE	Includes one of items 1; 2 and 7 and two of items 3 through 6	
1.	300-105H	15 SERIES FRAME WELD		
2.	300-190D	UPPER HITCH		
3.	802-099C	HHCS 1/2-13X3 1/4 GR5		
4.	804-015C	WASHER LOCK SPRING 1/2 PLT		
5.	803-020C	NUT HEX 1/2-13 PLT		
6.	805-111C	PIN DRAW 7/8 X 5		
7.	805-213C	PIN BENT 1 OD X 7 PLATED		Rev. 2
7.	300-299D	RPBY 805-213C		Rev 1; Use up stock
8.	301-139D	PIVOT CAP		
9.	803-053C	NUT HEX SLOTTED 3/4-16		
10.	805-017C	PIN COTTER 3/16 X 1 3/4 PLT		
11.	302-134H	15-5' RAKE MOUNT		
11.	302-135H	15-6' RAKE MOUNT		
1.	302-133H	15-7' RAKE MOUNT		
11.	302-136H	15-8' RAKE MOUNT		
12.	302-114D	5' RAKE MOUNT PLT - LOWER		
12.	302-008D	6' RAKE LOWER MOUNTING PLATE		
12.	302-066D	7' LOWER MOUNTING PLATE		
12.	302-014D	8' RAKE LOWER MOUNTING PLATE		
13.	802-022C	HHCS 3/8-16X1 1/2 GR5		
14.	804-060C	WASHER INT-EXT 3/8 PLT		
15.	803-014C	NUT HEX 3/8-16 PLT		
16.	820-037C	RAKE TOOTH 1		
17.	302-170A	LR1560 RAKE ASS'Y		Rev. 2
17.	302-137A	RPBY 302-170A		Rev 1; Use up stock
17.	302-171A	LR1572 RAKE ASS'Y		Rev. 2
17.	302-138A	RPBY 302-171A		Rev 1; Use up stock
17.	302-172A	LR1584 RAKE ASS'Y		Rev. 2
17.	302-139A	RPBY 302-172A		Rev 1; Use up stock
17.	302-173A	LR1596 RAKE ASS'Y		Rev. 2
17.	302-140A	RPBY 302-173A		Rev 1; Use up stock

Frame and Rake (S/N 42980+)

Applies to LR1560, LR1572, LR1584, LR1596



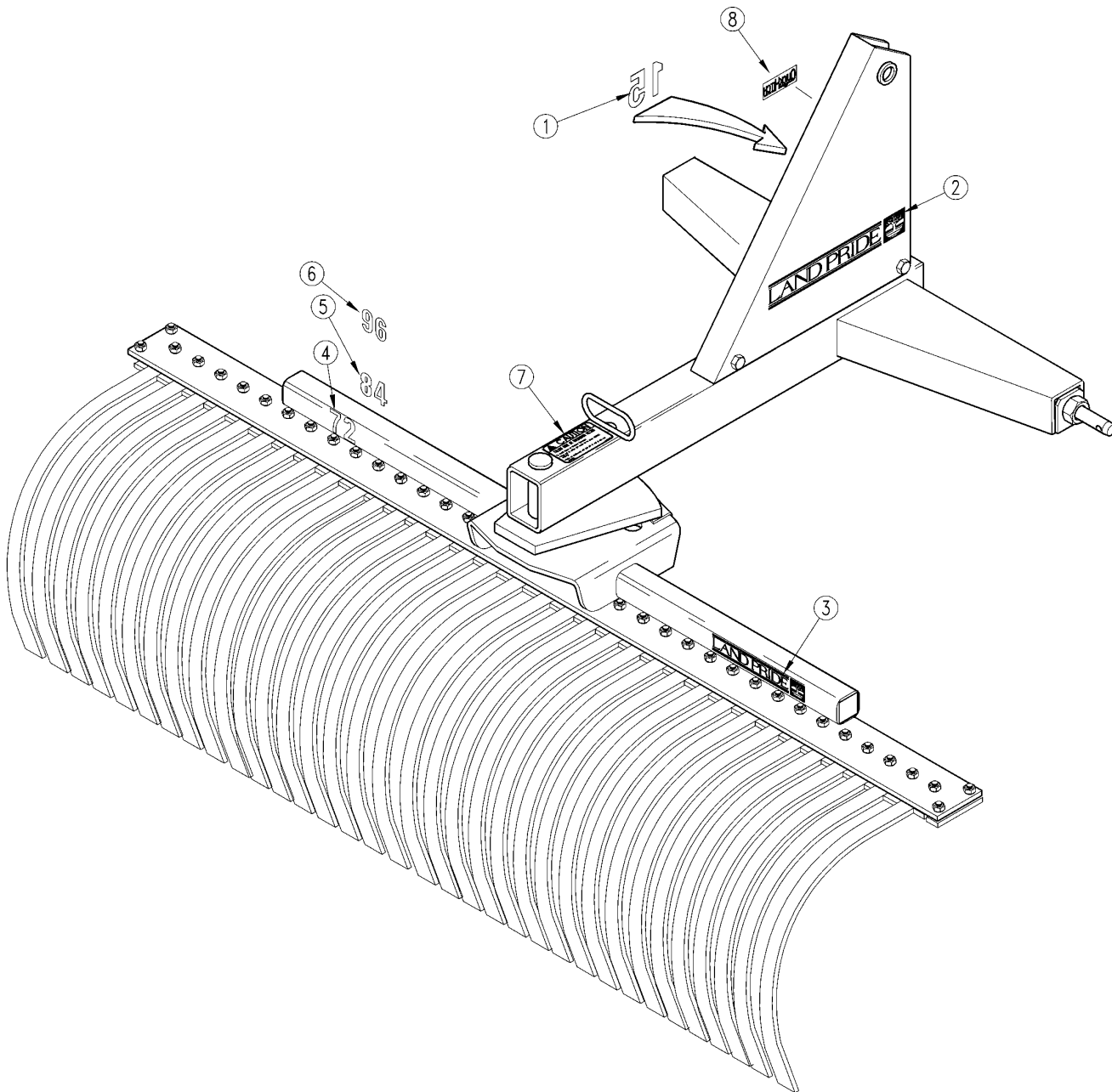
10324

Frame and Rake (S/N 42980+)**Applies to LR1560, LR1572, LR1584, LR1596**

Ref	Part No.	Part Description	Comments	Revision
	dwg10324	Drawing Image Number		
	300-120B	15 RB & RAKE HARDWARE BAG	Includes one of item 6 and two of items 2 through 5.	
	300-109A	15 SERIES FRAME BUNDLE		Includes one of items 1; 7; 11 and part no. 300-120B.
	302-170A	LR1560 RAKE ASS'Y		
	302-171A	LR1572 RAKE ASS'Y		
	302-172A	LR1584 RAKE ASS'Y		
	302-173A	LR1596 RAKE ASS'Y		
1.	300-105H	15 SERIES FRAME WELD		
1.	300-105H82	15 SERIES FRAME WELD ORANGE		
2.	802-099C	HHCS 1/2-13X3 1/4 GR5		
3.	803-020C	NUT HEX 1/2-13 PLT		
4.	804-015C	WASHER LOCK SPRING 1/2 PLT		
5.	805-111C	PIN DRAW 7/8 X 5		
6.	805-213C	PIN BENT 1 OD X 7 PLATED		Rev. 2
6.	300-299D	RPBY 805-213C		Rev 1; Use up stock
7.	300-190D	UPPER HITCH		
7.	300-190D82	UPPER HITCH ORANGE		
8.	301-139D	PIVOT CAP		
9.	803-053C	NUT HEX SLOTTED 3/4-16		
10.	805-017C	PIN COTTER 3/16 X 1 3/4 PLT		
11.	302-163H	LR1560 RAKE MOUNT WELDMENT		
11.	302-164H	LR1572 RAKE MOUNT WELDMENT		
11.	302-165H	LR1584 RAKE MOUNT WELDMENT		
11.	302-166H	LR1596 RAKE MOUNT WELDMENT		
12.	802-022C	HHCS 3/8-16X1 1/2 GR5		
13.	302-130D	RAKE TINE CLIP		
14.	803-171C	MAC-LOK 3/8-16 SUPER FLANGE		
15.	820-037C	RAKE TOOTH 1		
16.	300-171H	SUPPORT STAND LR & RB35/25/15	S/N 475594+	
17.	805-065C	PIN WIRE RETAINING 1/4 X 1 3/4	S/N 475594+	
18.	805-161C	PIN ROLL 3/8 X 1 3/4 LG PLT	S/N 475594+	
19.	308-339D	FLOATING TOP LINK SPACER TUBE	Optional Quick-Hitch Spacer	

Label Placement (S/N 33159-)

Applies to LR1560, LR1572, LR1584, LR1596



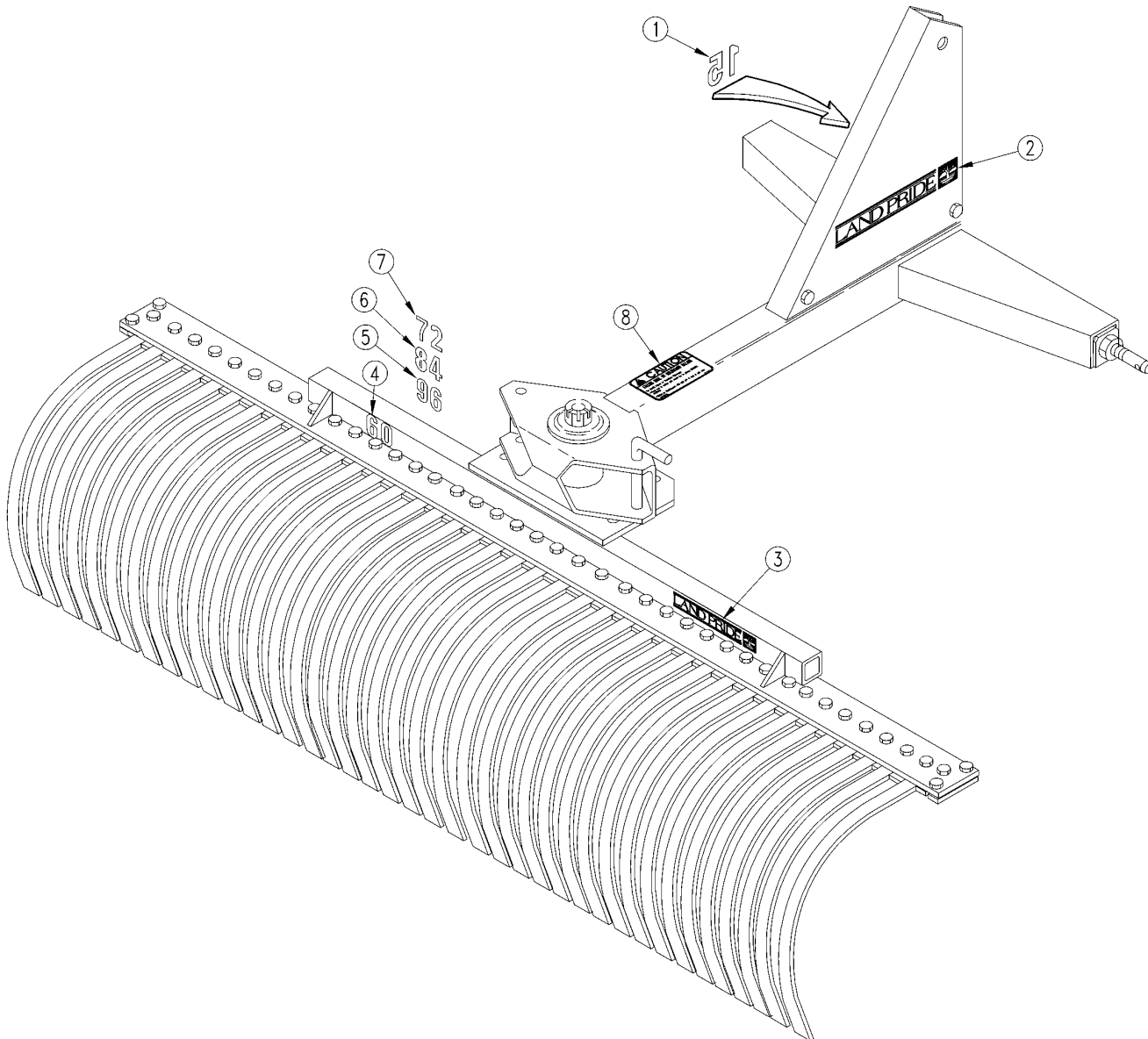
Label Placement (S/N 33159-)

Applies to LR1560, LR1572, LR1584, LR1596

Ref	Part No.	Part Description	Comments	Revision
	dwg15191	Drawing Image Number		
1.	818-084C	DECAL 15 SERIES LP - BLACK		
2.	818-164C	LP LOGO SMALL GREEN		
3.	818-165C	LP LOGO SMALL BUCKSKIN		
4.	818-154C	DECAL 72 LP SMALL BUCKSKIN		
5.	818-155C	DECAL 84 LP SMALL BUCKSKIN		
6.	818-156C	DECAL 96 LP SMALL BUCKSKIN		
7.	818-202C	DECAL CAUTION FALL MBOARD/RAKE		
8.	838-517C	DECAL QUICK HITCH SYSTEM		

Label Placement (S/N 33160)

Applies to LR1560, LR1572, LR1584, LR1596

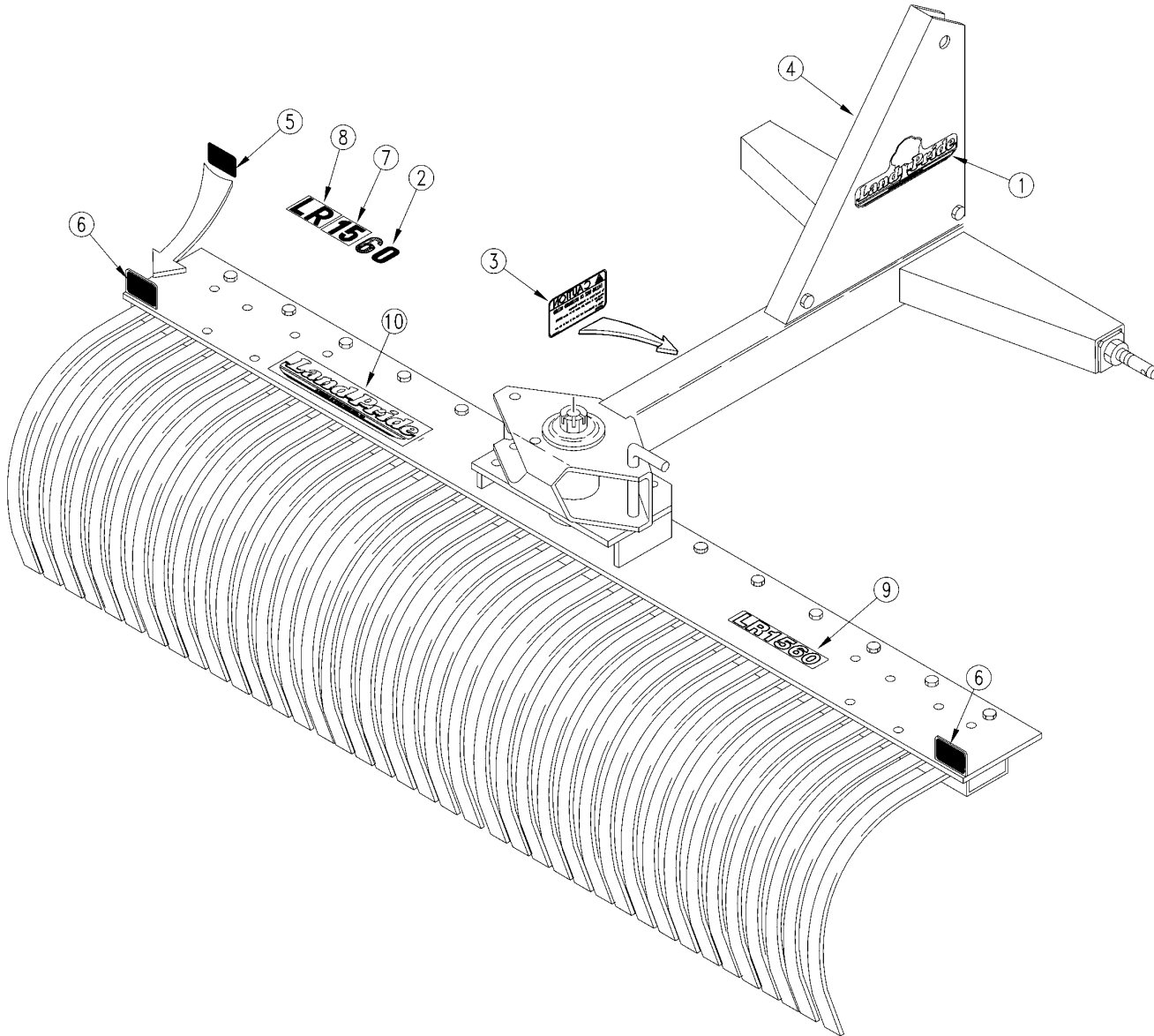


Label Placement (S/N 33160)**Applies to LR1560, LR1572, LR1584, LR1596**

Ref	Part No.	Part Description	Comments	Revision
	dwg10408	Drawing Image Number		
	302-148A	LR1560 DECAL PACKAGE		
	302-149A	LR1572 DECAL PACKAGE		
	302-150A	LR1584 DECAL PACKAGE		
	302-151A	LR1596 DECAL PACKAGE		
1.	818-084C	DECAL 15 SERIES LP - BLACK		
2.	818-164C	LP LOGO SMALL GREEN		
3.	818-165C	LP LOGO SMALL BUCKSKIN		
4.	818-231C	DECAL 60 LP SMALL BUCKSKIN		
5.	818-154C	DECAL 72 LP SMALL BUCKSKIN		
6.	818-155C	DECAL 84 LP SMALL BUCKSKIN		
7.	818-156C	DECAL 96 LP SMALL BUCKSKIN		
8.	818-202C	DECAL CAUTION FALL MBOARD/RAKE		

Label Placement (S/N 42980+)

Applies to LR1560, LR1572, LR1584, LR1596



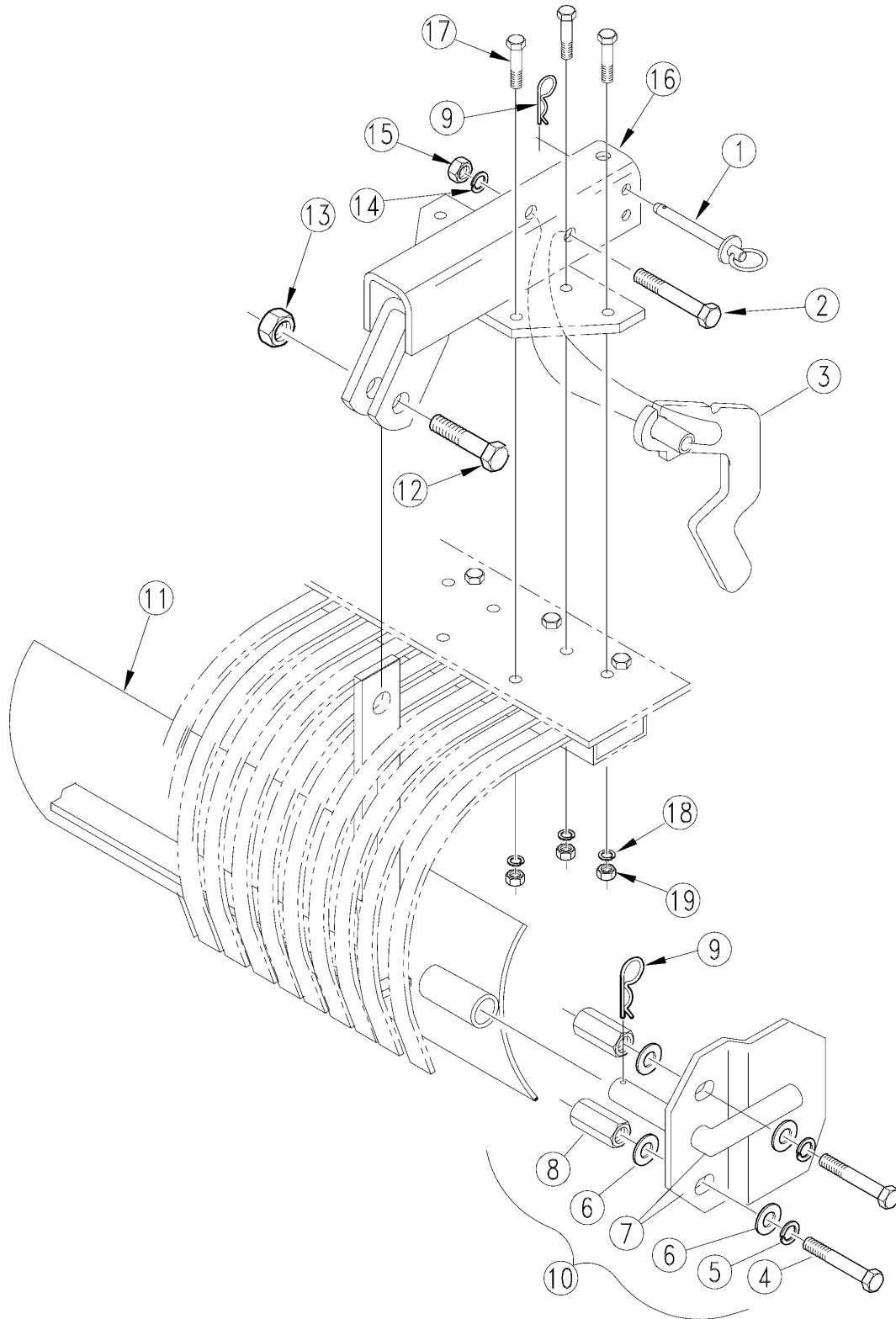
17573

Label Placement (S/N 42980+)**Applies to LR1560, LR1572, LR1584, LR1596**

Ref	Part No.	Part Description	Comments	Revision
	dwg17573	Drawing Image Number		
1.	818-891C	DECAL LP W/TREE 13.25"-2 COLOR	(S/N 252303+) Beige Unit	Rev. 2 not compat. w/Rev. 1.
1.	838-962C	DECAL LP 13" W/TREE BROWN/GOLD	Orange Unit	
2.	818-107C	DECAL 60 LP - BUCKSKIN	(S/N 252302-)	
2.	818-109C	DECAL 72 LP - BUCKSKIN	(S/N 252302-)	
2.	818-111C	DECAL 84 LP - BUCKSKIN	(S/N 252302-)	
2.	818-112C	DECAL 96 LP - BUCKSKIN	(S/N 252302-)	
3.	818-202C	DECAL CAUTION FALL MBOARD/RAKE		
4.	818-891C	DECAL LP W/TREE 13.25"-2 COLOR	(S/N 252303+) Beige Unit	Rev. 3 not compat. w/Rev. 2.
4.	838-962C	DECAL LP 13" W/TREE BROWN/GOLD	Orange Unit	
5.	818-229C	DECAL AMBER REFLECTOR	LR1596 ONLY	
6.	818-230C	DECAL RED REFLECTOR	LR1596 ONLY	
7.	818-101C	DECAL 15 SERIES LP - BUCKSKIN	(S/N 252302-)	
8.	818-735C	DECAL LR LAND PRIDE BUCKSKIN	(S/N 252302-)	
9.	818-994C	DECAL LR1560-BEIGE	(S/N 252303+)	
9.	818-995C	DECAL LR1572-BEIGE	(S/N 252303+)	
9.	818-996C	DECAL LR1584-BEIGE	(S/N 252303+)	
9.	818-997C	DECAL LR1596-BEIGE	(S/N 252303+)	
10.	818-900C	DECAL LANDPRIDE 13.25" - BIEGE	(S/N 252303+)	

Flip Down Grader Blade

Applies to LR1560, LR1572, LR1584, LR1596



20983

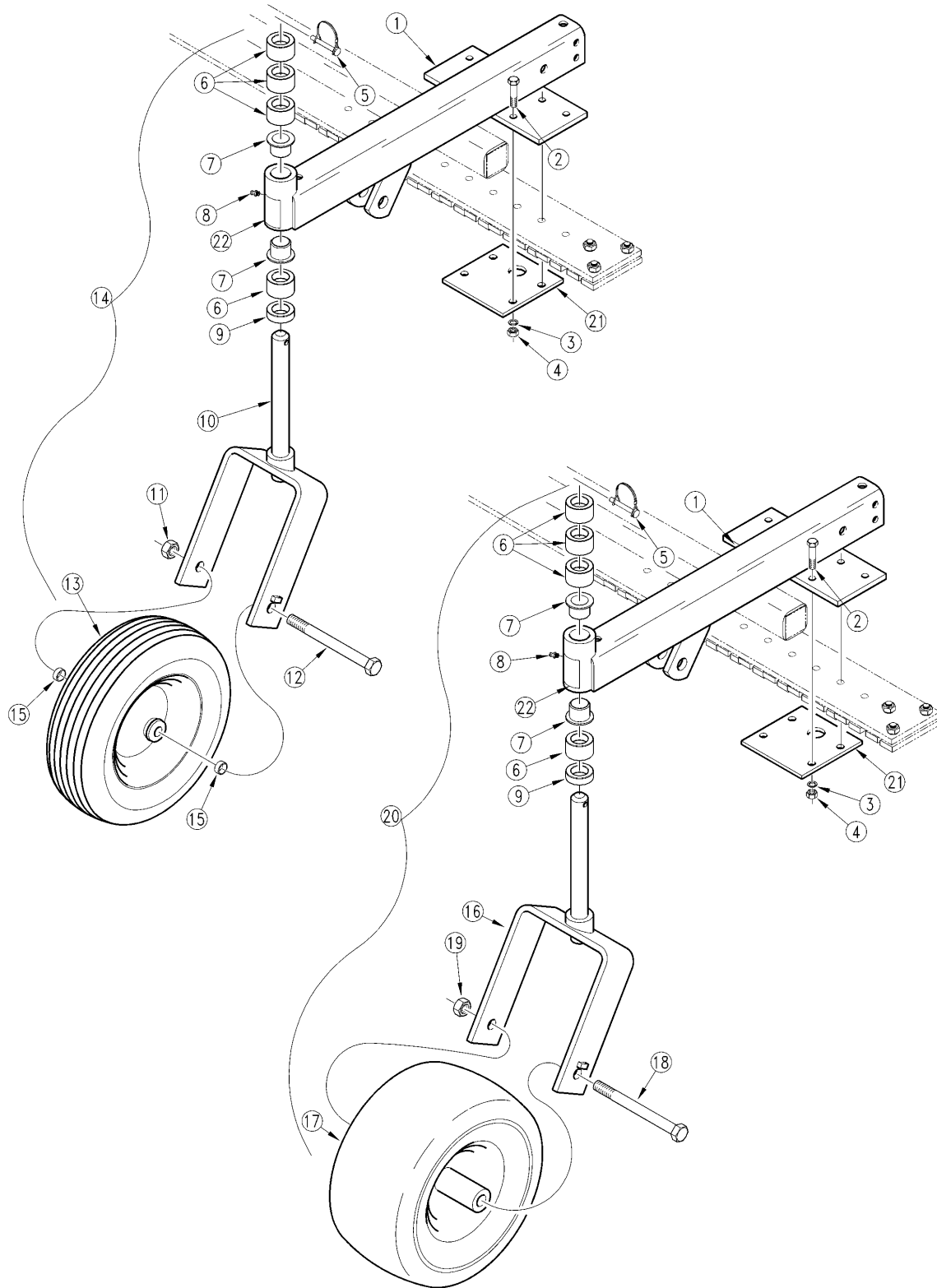
Flip Down Grader Blade

Applies to LR1560, LR1572, LR1584, LR1596

Ref	Part No.	Part Description	Comments	Revision
	dwg20983	Drawing Image Number		
	302-105A	6' GRADER BLADE ASY	Consist of items 1 - 15	
	302-106A	7' GRADER BLADE ASY	Consist of items 1 - 15	
	302-107A	8' GRADER BLADE ASY	Consist of items 1 - 15	
	302-260A	GB MOUNT LESS DUAL GW	Consist of items 16 - 19	
1.	805-001C	PIN BENT 3/8 X 3 USABLE LW/PIN		
2.	802-039C	HHCS 1/2-13X3 GR5		
3.	302-097H	BLADE LOCK HANDLE WELDMENT		
4.	802-080C	HHCS 7/16-14X1 GR5		
5.	804-014C	WASHER LOCK 7/16 PLT		
6.	804-041C	WASHER FLAT 7/16 SAE PLT		
7.	302-017H	SIDE PLATE WELDMENT		
8.	803-067C	NUT HEX CPLR 7/16-14X1 3/4 PLT		
9.	805-032C	PIN HAIR COTTER .148 WIRE		
10.	302-124S	GRADER BLADE SIDE PLATE ASSY		
11.	302-145H	5' GRADER BLADE WELDMENT		
11.	302-098H	6' GRADER BLADE WELDMENT		
11.	302-099H	7' GRADER BLADE WELDMENT		
11.	302-100H	8' GRADER BLADE WELDMENT		
12.	802-086C	HHCS 3/4-10X2 3/4 GR5		
13.	803-026C	NUT LOCK 3/4-10 PLT		
14.	804-015C	WASHER LOCK SPRING 1/2 PLT		
15.	803-020C	NUT HEX 1/2-13 PLT		
16.	302-204H	GRADER BLD MTG PULL TYPE		
17.	802-216C	HHCS 3/8-16X2 3/4 GR5		
18.	804-060C	WASHER INT-EXT 3/8 PLT		
19.	803-014C	NUT HEX 3/8-16 PLT		

Gauge Wheel Dual (S/N 42979-)

Applies to LR1560, LR1572, LR1584, LR1596



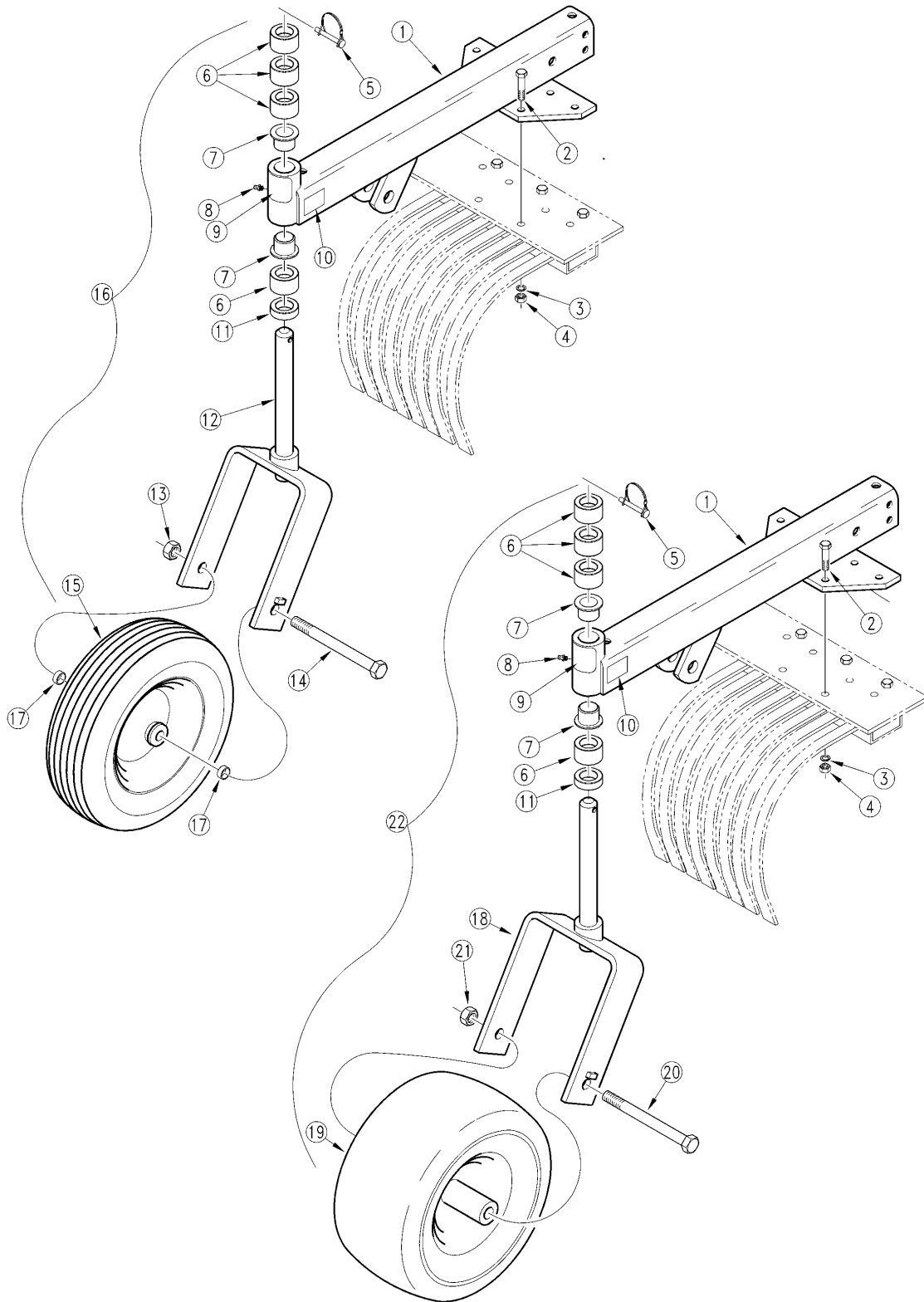
15190

Gauge Wheel Dual (S/N 42979-)**Applies to LR1560, LR1572, LR1584, LR1596**

Ref	Part No.	Part Description	Comments	Revision
	dwg15190	Drawing Image Number		
	302-101A	DUAL GAUGE WHEELS-WIDE 90		
	302-103A	DUAL GAUGE WHEEL-NRW-90		
1.	302-202H	RAKE DUAL G.W. WELDMENT		Rev. 2
1.	302-094H	RPBY 302-202H		Rev 1; Use up stock
2.	802-216C	HHCS 3/8-16X2 3/4 GR5		
3.	804-060C	WASHER INT-EXT 3/8 PLT		
4.	803-014C	NUT HEX 3/8-16 PLT		
5.	805-065C	PIN WIRE RETAINING 1/4 X 1 3/4		
6.	827-002C	SPACER 1"		
7.	817-048C	SPINDLE BUSHING		
8.	800-001C	GREASE ZERK STRAIGHT 1/4-28		
9.	827-001C	SPACER 1/2"		
10.	302-095H	NARROW GW YOKE WELDMENT		
11.	803-094C	NUT 5/8-11 NYLON COLLAR THIN		
12.	802-262C	HHCS 5/8-11X7 GR5		
13.	814-041C	WHEEL & TIRE PNEU 4.10 X 6		Gauge wheel tires should be inflated to 25 PSI.
14.	302-104K	GW ASSY - NARROW		
15.	302-076D	WHEEL SPACER		
16.	302-096H	WIDE GW YOKE WELDMENT		
17.	814-053C	TIRE & WHL 13/6.50X6 W/3/4 BOR		
18.	802-072C	HHCS 3/4-10X9 1/2 GR5		
19.	803-025C	NUT HEX 3/4-10 PLT NYLOCK		
20.	302-102K	GW ASSY - WIDE		
21.	302-022D	LATCH MOUNT		
22.	818-335C	DECAL RED NARROW REFLECTOR		

Gauge Wheel Dual (S/N 42980+)

Applies to LR1560, LR1572, LR1584, LR1596



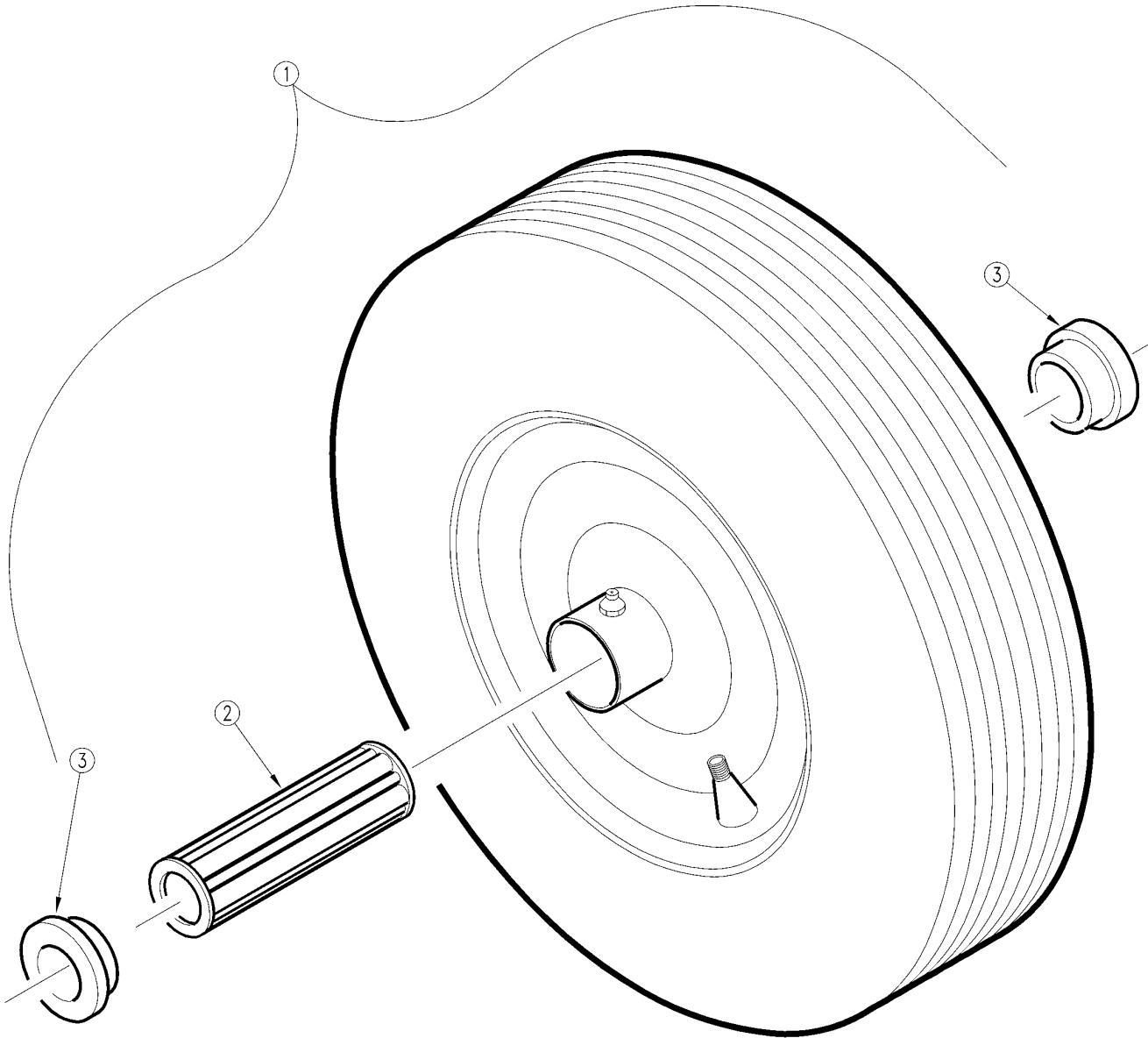
10325

Gauge Wheel Dual (S/N 42980+)**Applies to LR1560, LR1572, LR1584, LR1596**

Ref	Part No.	Part Description	Comments	Revision
	dwg10325	Drawing Image Number		
1.	302-202H	RAKE DUAL G.W. WELDMENT		Rev. 2
1.	302-094H	RPBY 302-202H		Rev 1; Use up stock
2.	802-216C	HHCS 3/8-16X2 3/4 GR5		
3.	804-060C	WASHER INT-EXT 3/8 PLT		
4.	803-014C	NUT HEX 3/8-16 PLT		
5.	805-065C	PIN WIRE RETAINING 1/4 X 1 3/4		
6.	827-002C	SPACER 1"		
7.	817-048C	SPINDLE BUSHING		
8.	800-001C	GREASE ZERK STRAIGHT 1/4-28		
9.	818-335C	DECAL RED NARROW REFLECTOR		
10.	818-298C	DECAL GREASE 25HRS BLACK/WHITE		
11.	827-001C	SPACER 1/2"		
12.	302-095H	NARROW GW YOKE WELDMENT		
13.	803-094C	NUT 5/8-11 NYLON COLLAR THIN		
14.	802-262C	HHCS 5/8-11X7 GR5		
15.	814-041C	WHEEL & TIRE PNEU 4.10 X 6		Gauge wheel tires should be inflated to 25 PSI.
16.	302-176A	DUAL GAUGE WHEELS-NRW 91+		
17.	302-076D	WHEEL SPACER		
18.	302-096H	WIDE GW YOKE WELDMENT		
19.	814-053C	TIRE & WHL 13/6.50X6 W/3/4 BOR		
20.	802-072C	HHCS 3/4-10X9 1/2 GR5		
21.	803-025C	NUT HEX 3/4-10 PLT NYLOCK		
22.	302-174A	DUAL GAUGE WHEELS-WIDE 91+		

Gauge Wheel Tire (814-041C)

Applies to LR1560, LR1572, LR1584, LR1596



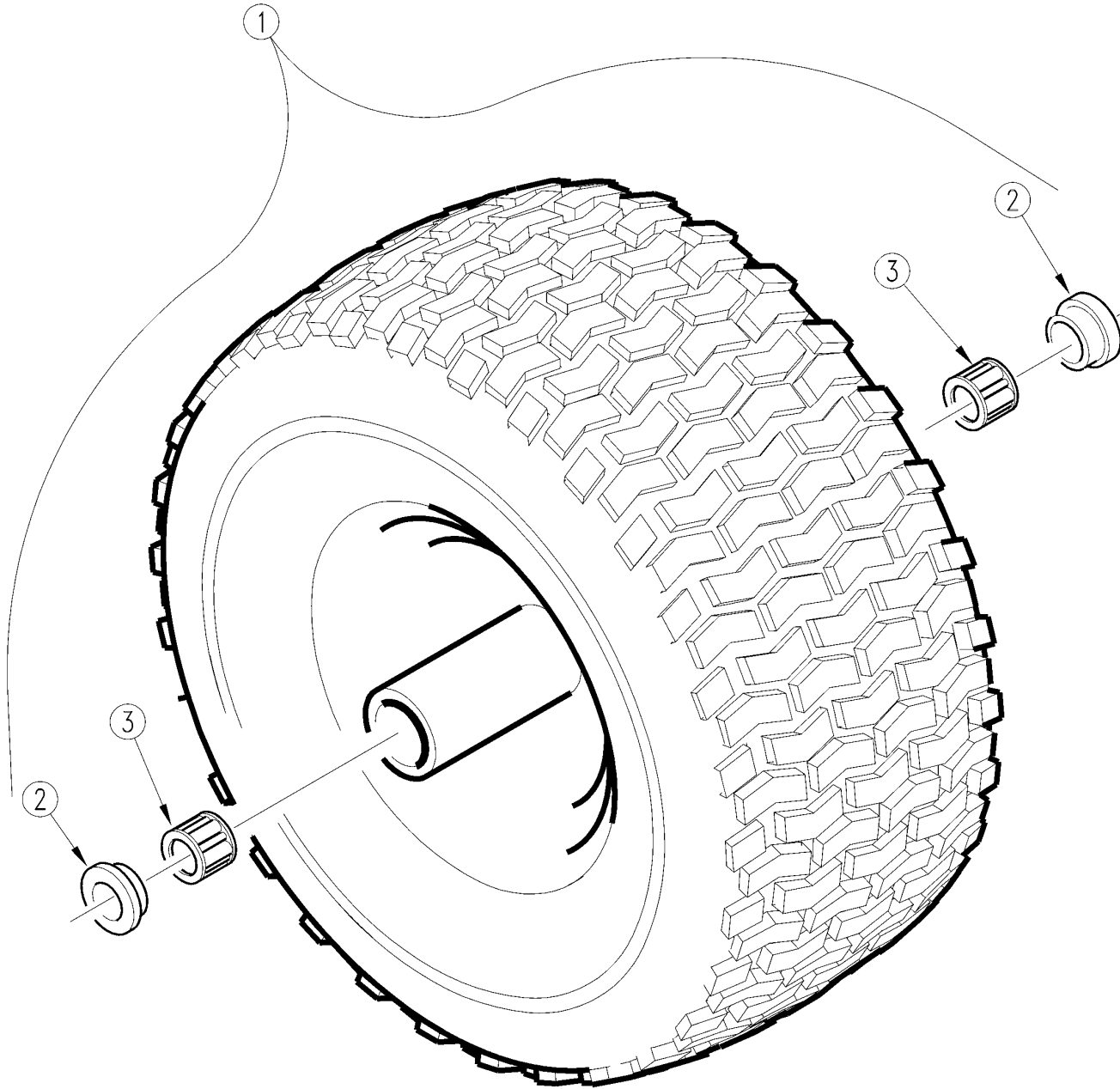
13625

Gauge Wheel Tire (814-041C)**Applies to LR1560, LR1572, LR1584, LR1596**

Ref	Part No.	Part Description	Comments	Revision
	dwg13625	Drawing Image Number		
1.	814-041C	WHEEL & TIRE PNEU 4.10 X 6		
2.	822-089C	BEARING 5/8X1 3/8X1 GLEASON587	two required	
2.	53-181	TILDEN BRG 5/8IDX1 3/8ODX2 1/2	one required	
3.	890-173C	END CAP GLEASON 4206		
3.	53-167	TILDEN RTNR 5/8IDX1 3/8ODX1/4L		

Gauge Wheel Tire (814-053C)

Applies to LR1560, LR1572, LR1584, LR1596



19042

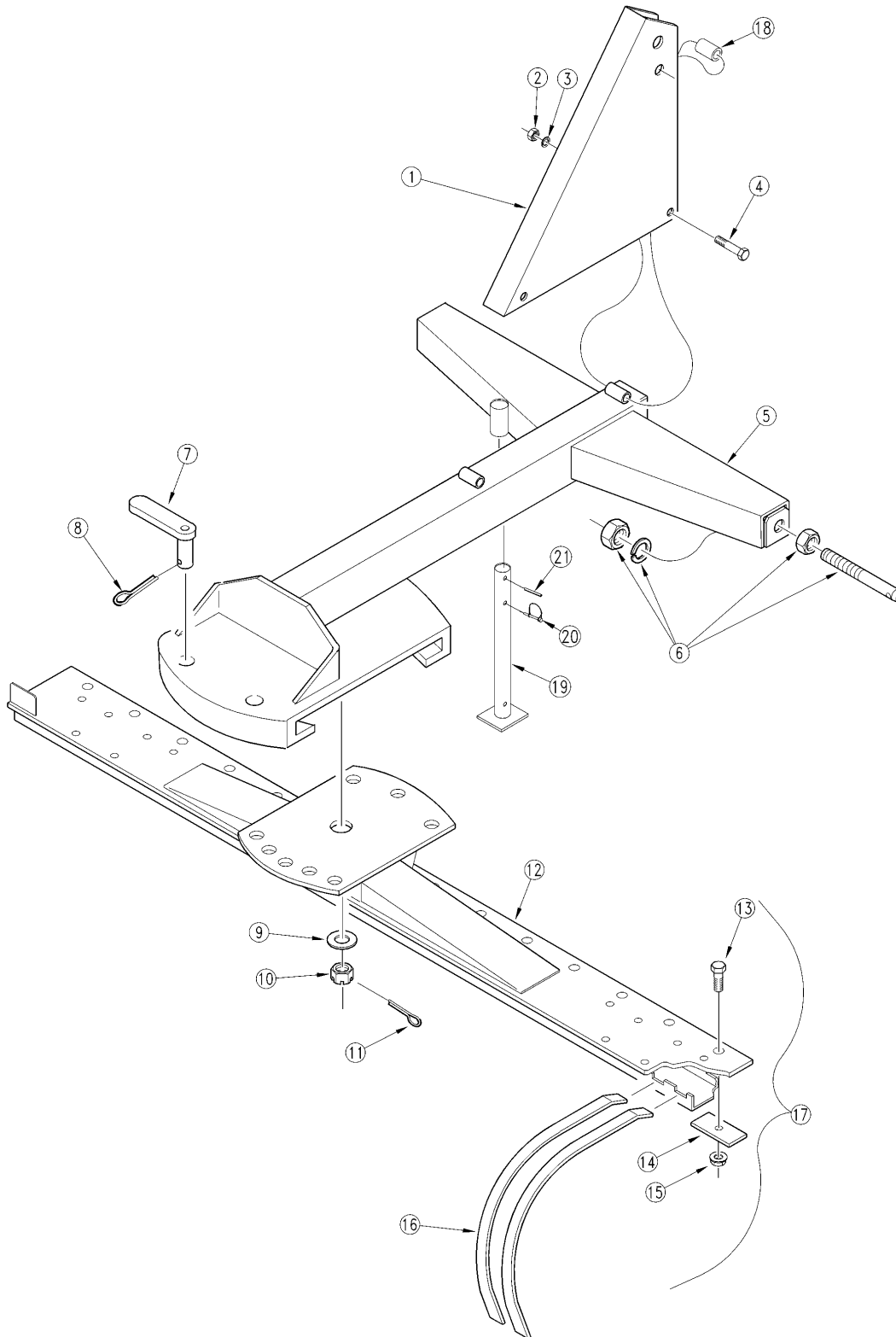
Gauge Wheel Tire (814-053C)

Applies to LR1560, LR1572, LR1584, LR1596

Ref	Part No.	Part Description	Comments	Revision
	dwg19042	Drawing Image Number		
1.	814-053C	TIRE & WHL 13/6.50X6 W/3/4 BOR		
2.	53-164	TILDEN RTNR 3/4IDX1 3/8ODX1/4L		
3.	53-189	TILDEN BRG 3/4ID1.34ODX15/16L		

Frame and Rake (S/N 42980+)

Applies to LR2572, LR2584, LR2596



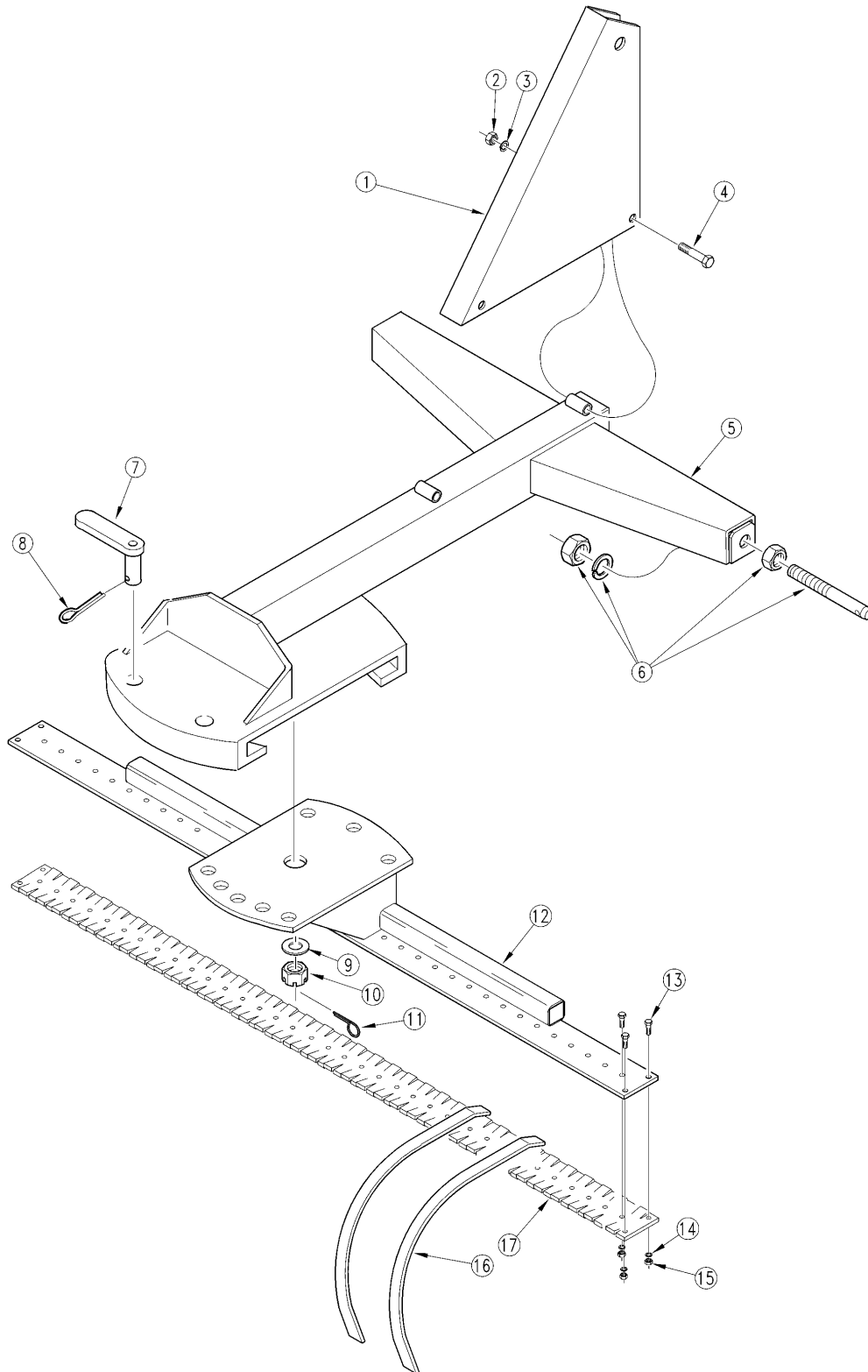
10318

Frame and Rake (S/N 42980+)**Applies to LR2572, LR2584, LR2596**

Ref	Part No.	Part Description	Comments	Revision
	dwg10318	Drawing Image Number		
	300-066A	25 SERIES FRAME ASSEMBLY	Includes one of items 4; 8; 10 through 15 and part no. 300-113B	
	300-113B	25RB & RAKE HARDWARE BAG	Includes two of items 5; 6; 7 and 9	
1.	300-196D	25 SERIES UPPER HITCH		Rev. 2
1.	300-196D82	25 SERIES UPPER HITCH ORANGE		
1.	300-062H	RPBY 300-196D		Rev 1; Use up stock
2.	803-021C	NUT HEX 5/8-11 PLT		
3.	804-022C	WASHER LOCK SPRING 5/8 PLT		
4.	802-162C	HHCS 5/8-11X3 1/2 GR5		
5.	300-061H	25 SERIES BLADE & RAKE FRAME		
5.	300-061H82	25 BLADE/RAKE FRAME ORANGE		
6.	805-111C	PIN DRAW 7/8 X 5		
7.	805-203C	PIN 1 1/8OD X2 1/8 USBL W/HNDL		Rev. 2
7.	300-013H	RPBY 805-203C		Rev 1; Use up stock
8.	805-032C	PIN HAIR COTTER .148 WIRE		
9.	804-028C	WASHER FLAT 1 USS		
10.	803-095C	NUT HEX SLOTTED 1-14		
11.	805-017C	PIN COTTER 3/16 X 1 3/4 PLT		
12.	302-160H	LR25/3572 RAKE MOUNT WELDM'T		
12.	302-161H	LR25/3584 RAKE MOUNT WELDM'T		
12.	302-162H	LR25/3596 RAKE MOUNT WELDM'T		
13.	802-022C	HHCS 3/8-16X1 1/2 GR5		
14.	302-130D	RAKE TINE CLIP		
15.	803-171C	MAC-LOK 3/8-16 SUPER FLANGE		
16.	820-037C	RAKE TOOTH 1		
17.	302-167A	LR25/3572 RAKE ASS'Y		
17.	302-168A	LR25/3584 RAKE ASS'Y		
17.	302-169A	LR25/3596 RAKE ASS'Y		
18.	308-339D	FLOATING TOP LINK SPACER TUB	Optional Quick Hitch Spacer	
19.	300-171H	SUPPORT STAND LR & RB35/25/15	S/N 476724+	
20.	805-065C	PIN WIRE RETAINING 1/4 X 1 3/4	S/N 476724+	
21.	805-161C	PIN ROLL 3/8 X 1 3/4 LG PLT	S/N 476724+	

Frame and Rake (SN 42979-)

Applies to LR2572, LR2584, LR2596



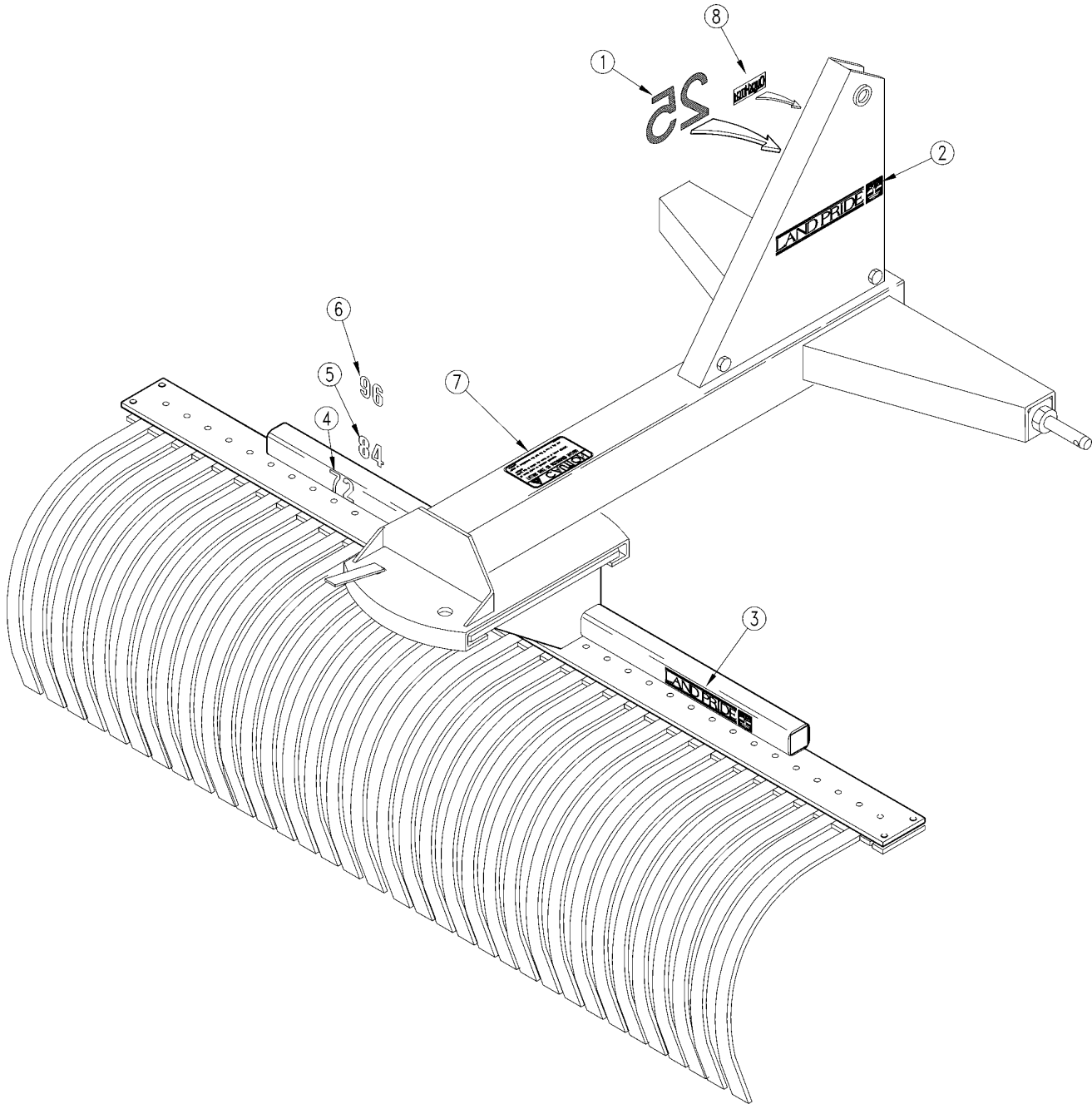
15192

Frame and Rake (SN 42979-)**Applies to LR2572, LR2584, LR2596**

Ref	Part No.	Part Description	Comments	Revision
	dwg15192	Drawing Image Number		
	300-066A	25 SERIES FRAME ASSEMBLY	Includes items 1 through 11	
	302-167A	LR25/3572 RAKE ASS'Y		Rev. 2
	302-121A	RPBY 302-167A	Includes items 12 through 17	Rev 1; Use up stock
	302-168A	LR25/3584 RAKE ASS'Y		Rev. 2
	302-122A	RPBY 302-168A	Includes items 12 through 17	Rev 1; Use up stock
	302-169A	LR25/3596 RAKE ASS'Y		Rev. 2
	302-123A	RPBY 302-169A	Includes items 12 through 17	Rev 1; Use up stock
1.	300-196D	25 SERIES UPPER HITCH		Rev. 2
1.	300-062H	RPBY 300-196D		Rev 1; Use up stock
2.	803-021C	NUT HEX 5/8-11 PLT		
3.	804-022C	WASHER LOCK SPRING 5/8 PLT		
4.	802-162C	HHCS 5/8-11X3 1/2 GR5		
5.	300-061H	25 SERIES BLADE & RAKE FRAME		
6.	805-111C	PIN DRAW 7/8 X 5		
7.	805-203C	PIN 1 1/8OD X2 1/8 USBL W/HNDL		Rev. 2
7.	300-013H	RPBY 805-203C		Rev 1; Use up stock
8.	805-032C	PIN HAIR COTTER .148 WIRE		
9.	804-028C	WASHER FLAT 1 USS		
10.	803-095C	NUT HEX SLOTTED 1-14		
11.	805-017C	PIN COTTER 3/16 X 1 3/4 PLT		
12.	302-118H	25 & 35 SERIES - 6' RAKE MOUNT		
12.	302-119H	25 & 35 SERIES - 7' RAKE MOUNT		
12.	302-120H	25 & 35 SERIES - 8' RAKE MOUNT		
13.	802-022C	HHCS 3/8-16X1 1/2 GR5		
14.	804-060C	WASHER INT-EXT 3/8 PLT		
15.	803-014C	NUT HEX 3/8-16 PLT		
16.	820-037C	RAKE TOOTH 1		
17.	302-008D	6' RAKE LOWER MOUNTING PLATE		
17.	302-066D	7' LOWER MOUNTING PLATE		
17.	302-014D	8' RAKE LOWER MOUNTING PLATE		

Label Placement (S/N 42979-)

Applies to LR2572, LR2584, LR2596



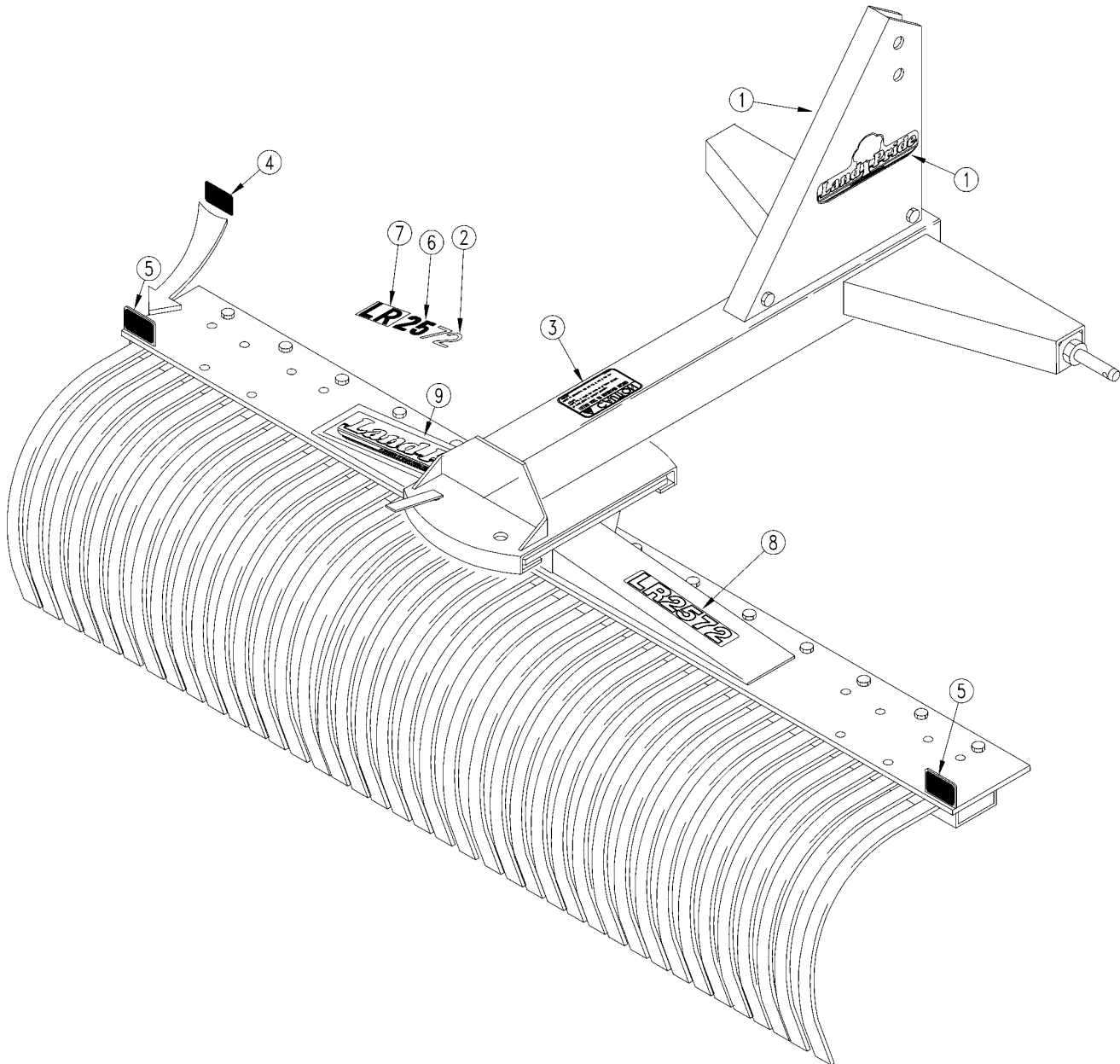
Label Placement (S/N 42979-)

Applies to LR2572, LR2584, LR2596

Ref	Part No.	Part Description	Comments	Revision
	dwg15194	Drawing Image Number		
1.	818-085C	DECAL 25 SERIES LP - BLACK		
2.	818-164C	LP LOGO SMALL GREEN		
3.	818-165C	LP LOGO SMALL BUCKSKIN		
4.	818-154C	DECAL 72 LP SMALL BUCKSKIN		
5.	818-155C	DECAL 84 LP SMALL BUCKSKIN		
6.	818-156C	DECAL 96 LP SMALL BUCKSKIN		
7.	818-202C	DECAL CAUTION FALL MBOARD/RAKE		
8.	838-517C	DECAL QUICK HITCH SYSTEM		

Label Placement (S/N 42980+)

Applies to LR2572, LR2584, LR2596



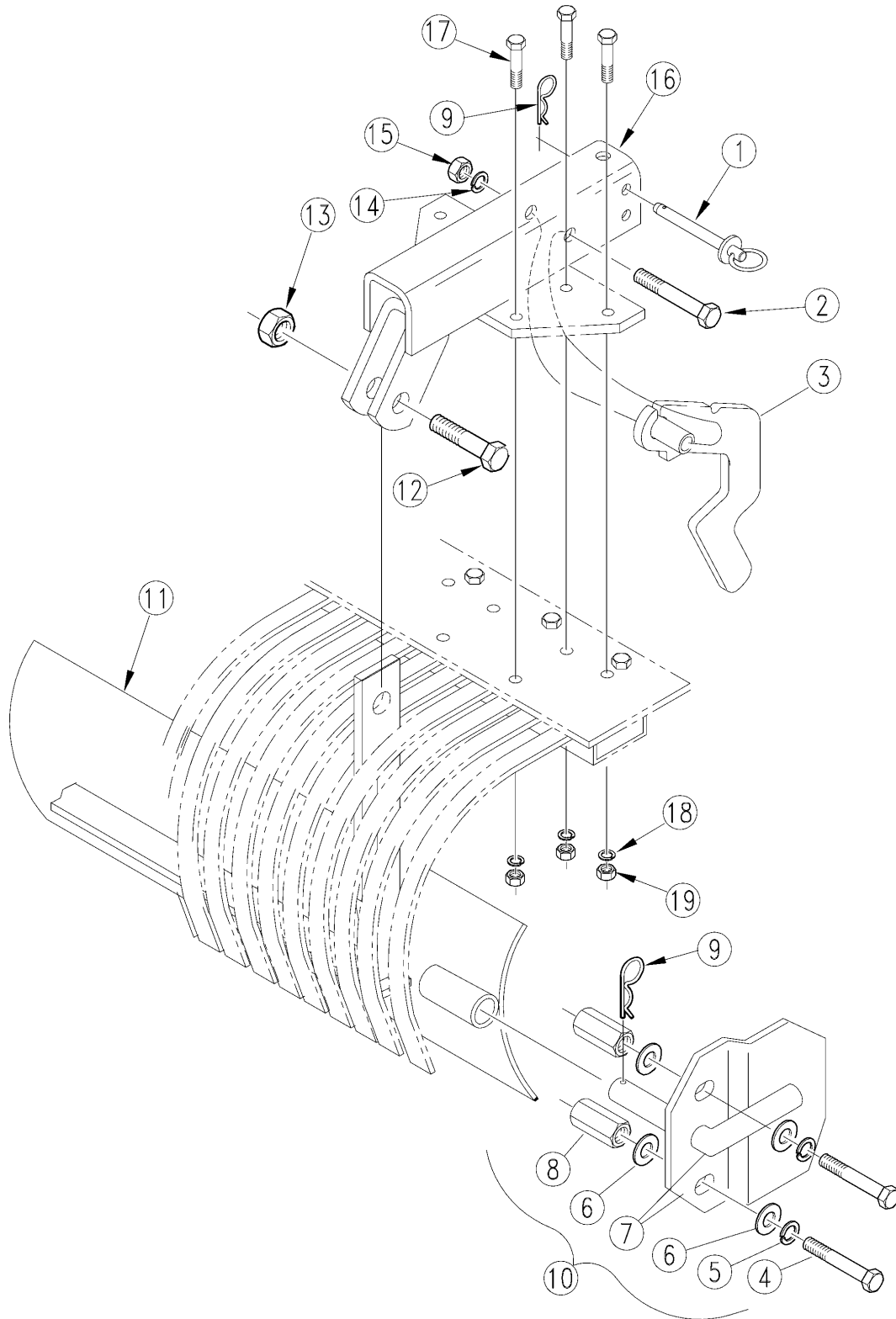
17574

Label Placement (S/N 42980+)**Applies to LR2572, LR2584, LR2596**

Ref	Part No.	Part Description	Comments	Revision
	dwg17574	Drawing Image Number		
	302-179A	LR2572 DECAL PACKAGE	Includes items 1 through 8	
	302-180A	LR2584 DECAL PACKAGE	Includes items 1 through 8	
	302-181A	LR2596 DECAL PACKAGE	Includes items 1 through 8	
1.	818-891C	DECAL LP W/TREE 13.25"-2 COLOR	(S/N 252303+) Beige Unit	Rev. 2 not compat. w/Rev. 1.
1.	838-962C	DECAL LP 13" W/TREE BROWN/GOLD	Orange Unit	
2.	818-109C	DECAL 72 LP - BUCKSKIN	(S/N 252302-)	
2.	818-111C	DECAL 84 LP - BUCKSKIN	(S/N 252302-)	
2.	818-112C	DECAL 96 LP - BUCKSKIN	(S/N 252302-)	
3.	818-202C	DECAL CAUTION FALL MBOARD/RAKE		
4.	818-229C	DECAL AMBER REFLECTOR	LR2596 ONLY	
5.	818-230C	DECAL RED REFLECTOR		
6.	818-102C	DECAL 25 SERIES LP - BUCKSKIN	(S/N 252302-)	
7.	818-735C	DECAL LR LAND PRIDE BUCKSKIN	(S/N 252302-)	
8.	818-998C	DECAL LR2572-BEIGE	(S/N 252303+)	
8.	818-999C	DECAL LR2584-BEIGE	(S/N 252303+)	
8.	838-001C	DECAL LR2596-BEIGE	(S/N 252303+)	
9.	818-898C	DECAL LANDPRIDE 10" - BIEGE	(S/N 252303+)	

Flip Down Grader Blade

Applies to LR2572, LR2584, LR2596



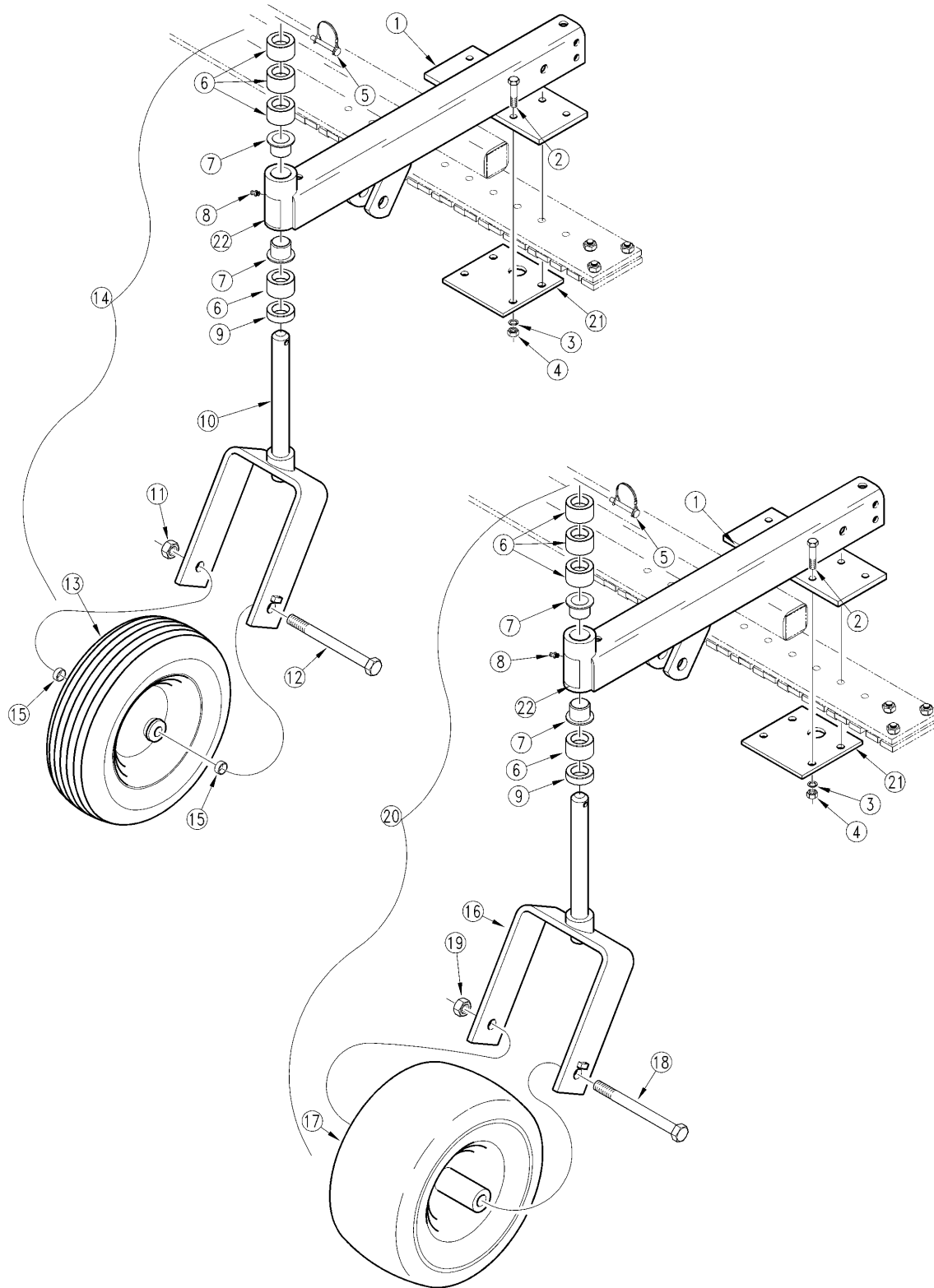
20983

Flip Down Grader Blade**Applies to LR2572, LR2584, LR2596**

Ref	Part No.	Part Description	Comments	Revision
	dwg20983	Drawing Image Number		
	302-152A	FLIP DOWN GRADER BLADE ASSY 5'	Consist of items 1 - 15	
	302-105A	6' GRADER BLADE ASY	Consist of items 1 - 15	
	302-106A	7' GRADER BLADE ASY	Consist of items 1 - 15	
	302-107A	8' GRADER BLADE ASY	Consist of items 1 - 15	
	302-260A	GB MOUNT LESS DUAL GW	Consist of items 16 - 19	
1.	805-001C	PIN BENT 3/8 X 3 USABLE LW/PIN		
2.	802-039C	HHCS 1/2-13X3 GR5		
3.	302-097H	BLADE LOCK HANDLE WELDMENT		
4.	802-080C	HHCS 7/16-14X1 GR5		
5.	804-014C	WASHER LOCK 7/16 PLT		
6.	804-041C	WASHER FLAT 7/16 SAE PLT		
7.	302-017H	SIDE PLATE WELDMENT		
8.	803-067C	NUT HEX CPLR 7/16-14X1 3/4 PLT		
9.	805-032C	PIN HAIR COTTER .148 WIRE		
10.	302-124S	GRADER BLADE SIDE PLATE ASSY		
11.	302-145H	5' GRADER BLADE WELDMENT		
11.	302-098H	6' GRADER BLADE WELDMENT		
11.	302-099H	7' GRADER BLADE WELDMENT		
11.	302-100H	8' GRADER BLADE WELDMENT		
12.	802-086C	HHCS 3/4-10X2 3/4 GR5		
13.	803-026C	NUT LOCK 3/4-10 PLT		
14.	804-015C	WASHER LOCK SPRING 1/2 PLT		
15.	803-020C	NUT HEX 1/2-13 PLT		
16.	302-204H	GRADER BLD MTG PULL TYPE		
17.	802-216C	HHCS 3/8-16X2 3/4 GR5		
18.	804-060C	WASHER INT-EXT 3/8 PLT		
19.	803-014C	NUT HEX 3/8-16 PLT		

Gauge Wheel Dual (S/N 42979-)

Applies to LR2572, LR2584, LR2596



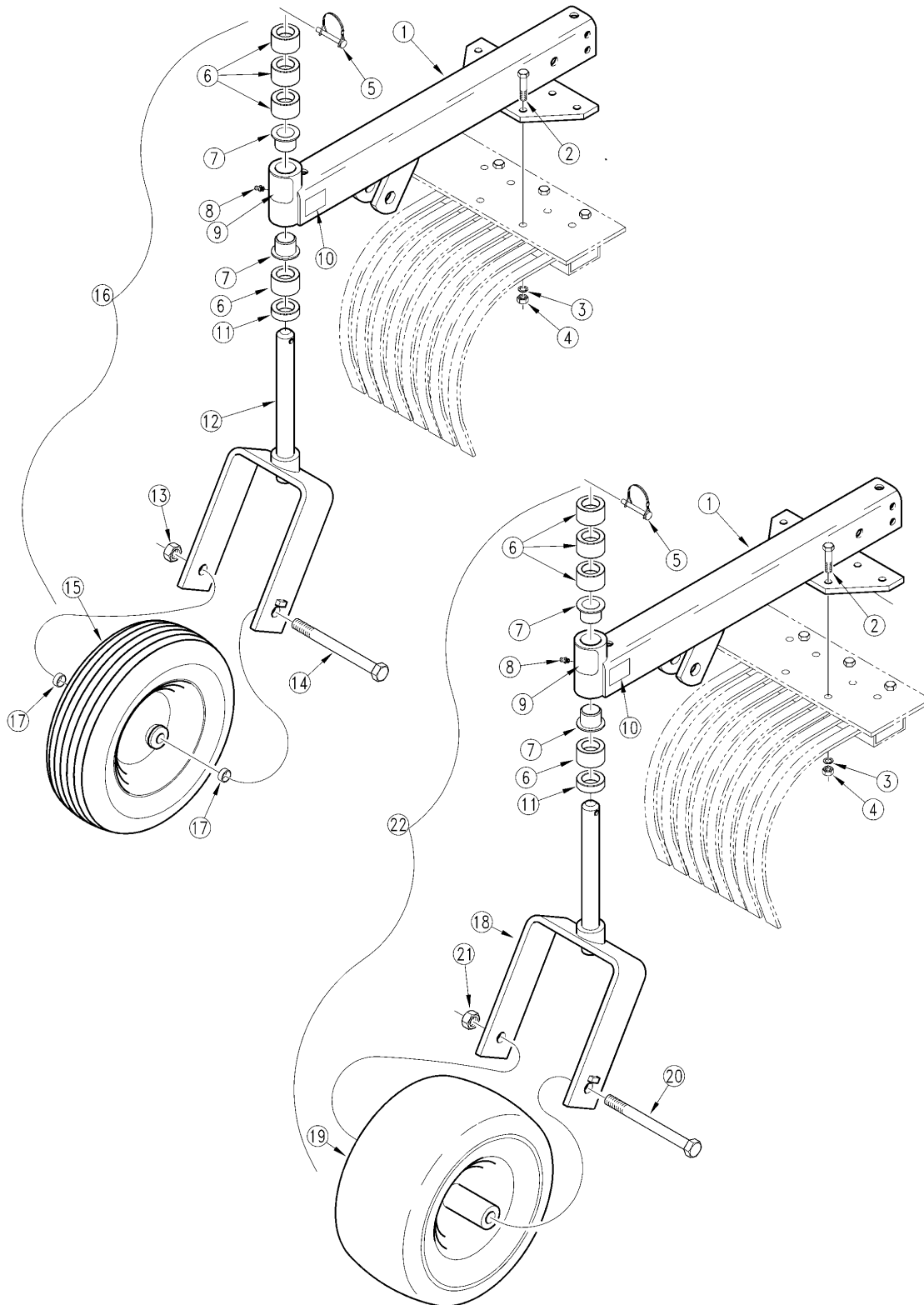
15190

Gauge Wheel Dual (S/N 42979-)**Applies to LR2572, LR2584, LR2596**

Ref	Part No.	Part Description	Comments	Revision
	dwg15190	Drawing Image Number		
	302-101A	DUAL GAUGE WHEELS-WIDE 90		
	302-103A	DUAL GAUGE WHEEL-NRW-90		
1.	302-202H	RAKE DUAL G.W. WELDMENT		Rev. 2
1.	302-094H	RPBY 302-202H		Rev 1; Use up stock
2.	802-216C	HHCS 3/8-16X2 3/4 GR5		
3.	804-060C	WASHER INT-EXT 3/8 PLT		
4.	803-014C	NUT HEX 3/8-16 PLT		
5.	805-065C	PIN WIRE RETAINING 1/4 X 1 3/4		
6.	827-002C	SPACER 1"		
7.	817-048C	SPINDLE BUSHING		
8.	800-001C	GREASE ZERK STRAIGHT 1/4-28		
9.	827-001C	SPACER 1/2"		
10.	302-095H	NARROW GW YOKE WELDMENT		
11.	803-094C	NUT 5/8-11 NYLON COLLAR THIN		
12.	802-262C	HHCS 5/8-11X7 GR5		
13.	814-041C	WHEEL & TIRE PNEU 4.10 X 6		Gauge wheel tires should be inflated to 25 PSI.
14.	302-104K	GW ASSY - NARROW		
15.	302-076D	WHEEL SPACER		
16.	302-096H	WIDE GW YOKE WELDMENT		
17.	814-053C	TIRE & WHL 13/6.50X6 W/3/4 BOR		
18.	802-072C	HHCS 3/4-10X9 1/2 GR5		
19.	803-025C	NUT HEX 3/4-10 PLT NYLOCK		
20.	302-102K	GW ASSY - WIDE		
21.	302-022D	LATCH MOUNT		
22.	818-335C	DECAL RED NARROW REFLECTOR		

Gauge Wheel Dual (S/N 42980+)

Applies to LR2572, LR2584, LR2596



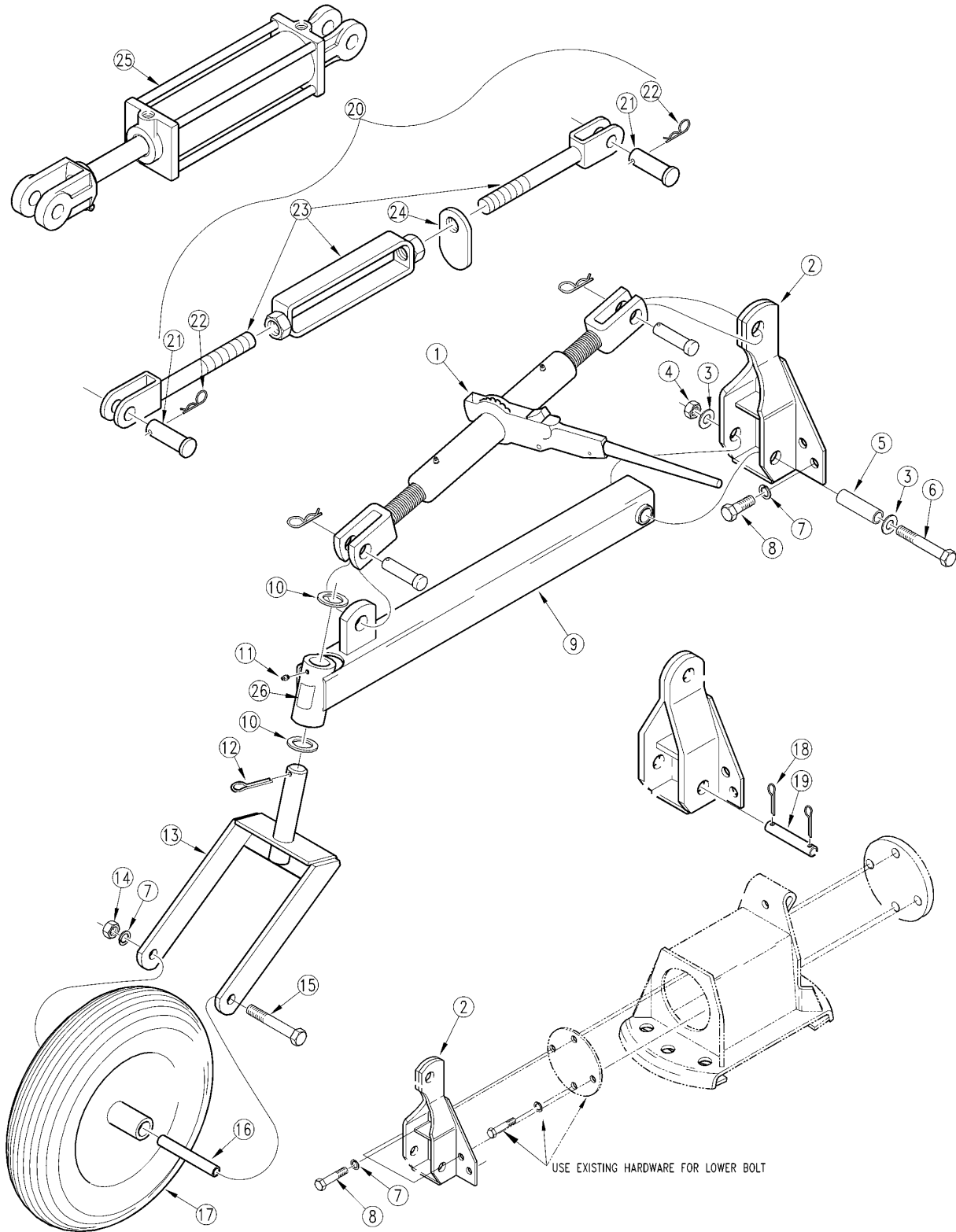
10325

Gauge Wheel Dual (S/N 42980+)**Applies to LR2572, LR2584, LR2596**

Ref	Part No.	Part Description	Comments	Revision
	dwg10325	Drawing Image Number		
1.	302-202H	RAKE DUAL G.W. WELDMENT		Rev. 2
1.	302-094H	RPBY 302-202H		Rev 1; Use up stock
2.	802-216C	HHCS 3/8-16X2 3/4 GR5		
3.	804-060C	WASHER INT-EXT 3/8 PLT		
4.	803-014C	NUT HEX 3/8-16 PLT		
5.	805-065C	PIN WIRE RETAINING 1/4 X 1 3/4		
6.	827-002C	SPACER 1"		
7.	817-048C	SPINDLE BUSHING		
8.	800-001C	GREASE ZERK STRAIGHT 1/4-28		
9.	818-335C	DECAL RED NARROW REFLECTOR		
10.	818-298C	DECAL GREASE 25HRS BLACK/WHITE		
11.	827-001C	SPACER 1/2"		
12.	302-095H	NARROW GW YOKE WELDMENT		
13.	803-094C	NUT 5/8-11 NYLON COLLAR THIN		
14.	802-262C	HHCS 5/8-11X7 GR5		
15.	814-041C	WHEEL & TIRE PNEU 4.10 X 6		Gauge wheel tires should be inflated to 25 PSI.
16.	302-176A	DUAL GAUGE WHEELS-NRW 91+		
17.	302-076D	WHEEL SPACER		
18.	302-096H	WIDE GW YOKE WELDMENT		
19.	814-053C	TIRE & WHL 13/6.50X6 W/3/4 BOR		
20.	802-072C	HHCS 3/4-10X9 1/2 GR5		
21.	803-025C	NUT HEX 3/4-10 PLT NYLOCK		
22.	302-174A	DUAL GAUGE WHEELS-WIDE 91+		

Gauge Wheel Single

Applies to LR2572, LR2584, LR2596



16952

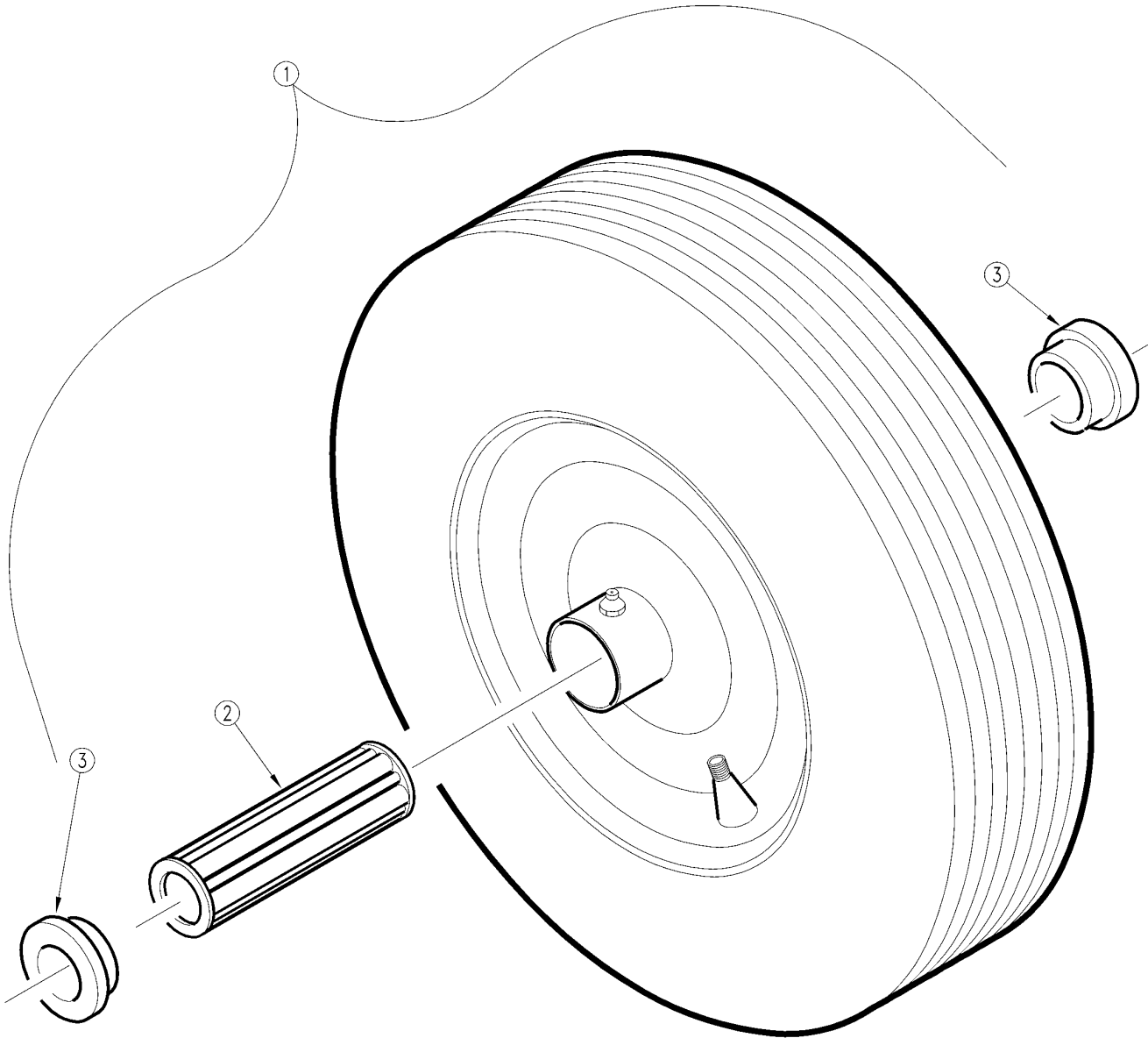
Gauge Wheel Single

Applies to LR2572, LR2584, LR2596

Ref	Part No.	Part Description	Comments	Revision
	dwg16952	Drawing Image Number		
	300-014A	25 & 35 BLADE & RAKE SINGLE GW	Includes items 1 through 18	
1.	890-177C	RATCHET JACK - HEAVY DUT		
2.	300-015H	GAUGE WHEEL MOUNT WELDMENT		
3.	804-021C	WASHER FLAT 5/8 SAE PLT		
4.	803-024C	NUT LOCK 5/8-11 PLT		
5.	300-375D	TB RD DOM. 7/8ODX11GWLX3 15/16		
6.	802-062C	HHCS 5/8-11X5 GR5		
7.	804-022C	WASHER LOCK SPRING 5/8 PLT		
8.	802-207C	HHCS 5/8-18X1 1/2 GR5		
9.	300-016H	ARM WELDMENT		
10.	804-062C	WASHER MACH 1.88 X 1.25 X 10GA		
11.	800-080C	GREASE ZERK 1/4-28 THD FORMING		
12.	805-105C	PIN COTTER 1/4 X 2 1/2 PLT		
13.	300-017H	YOKE WELDMENT		
14.	803-021C	NUT HEX 5/8-11 PLT		
15.	802-208C	HHCS 5/8-11X8 GR5		
16.	300-050D	SINGLE GAUGE WHEEL SLEEVE		
17.	814-039C	WHEEL & TIRE PNEU 4.8/4.00 X 8		
18.	805-104C	PIN COTTER 3/16 X 1 1/2 PLT	Replaced by items 3, 4, 6 & 7	
19.	300-042D	MOUNT PIN	Replaced by items 3, 4, 6 & 7	
20.	300-068K	TURNBUCKLE ASSEMBLY	Replaced by 890-177C item 1	
21.	805-090C	PIN CLEVIS 1 X 3 3/16 LG		
22.	805-088C	PIN, HAIR COTTER 3/16 WIRE DIA		
23.	300-067H	SINGLE GW TURNBUCKLE WELDMENT		
24.	300-057D	LOCK TAB		
25.	810-162C	CYL 3.5X8X1.25 ROD (TIE ROD)		
26.	818-335C	DECAL RED NARROW REFLECTOR		

Gauge Wheel Tire (814-041C)

Applies to LR2572, LR2584, LR2596



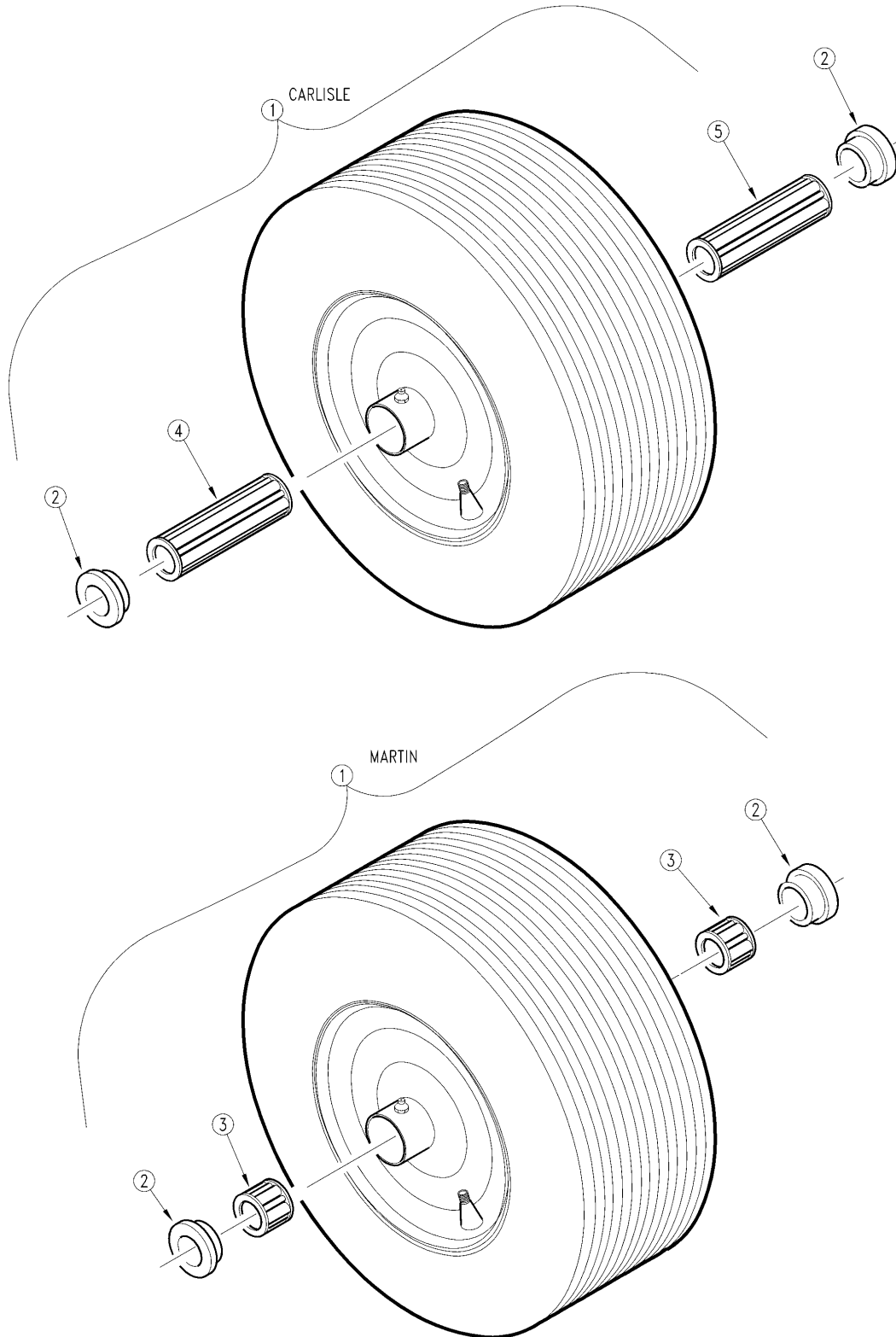
13625

Gauge Wheel Tire (814-041C)**Applies to LR2572, LR2584, LR2596**

Ref	Part No.	Part Description	Comments	Revision
	dwg13625	Drawing Image Number		
1.	814-041C	WHEEL & TIRE PNEU 4.10 X 6		
2.	822-089C	BEARING 5/8X1 3/8X1 GLEASON587	two required	
2.	53-181	TILDEN BRG 5/8IDX1 3/8ODX2 1/2	one required	
3.	890-173C	END CAP GLEASON 4206		
3.	53-167	TILDEN RTNR 5/8IDX1 3/8ODX1/4L		

Gauge Wheel Tire (814-053C)

Applies to LR2572, LR2584, LR2596



13627

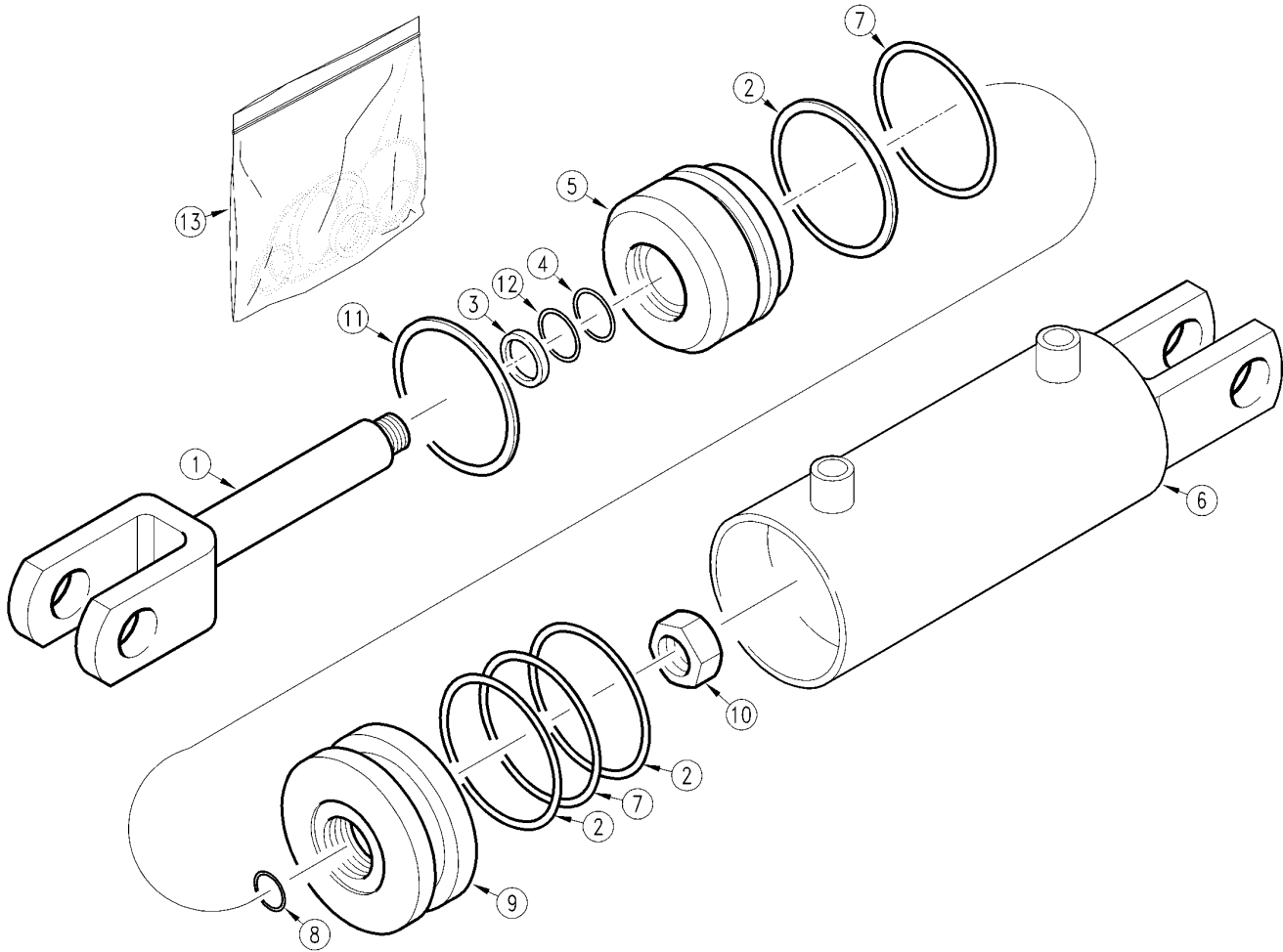
Gauge Wheel Tire (814-053C)

Applies to LR2572, LR2584, LR2596

Ref	Part No.	Part Description	Comments	Revision
	dwg13627	Drawing Image Number		
1.	814-053C	TIRE & WHL 13/6.50X6 W/3/4 BOR		
2.	53-164	TILDEN RTNR 3/4IDX1 3/8OD		
3.	53-189	TILDEN BRG 3/4ID1.34ODX15/16L		
4.	822-222C	BRG .75X1.38X3.75L ROLLER		
5.	822-223C	BRG .75X1.38X3.00L ROLLER		

Hydraulic Cylinder (810-005C)

Applies to LR2572, LR2584, LR2596



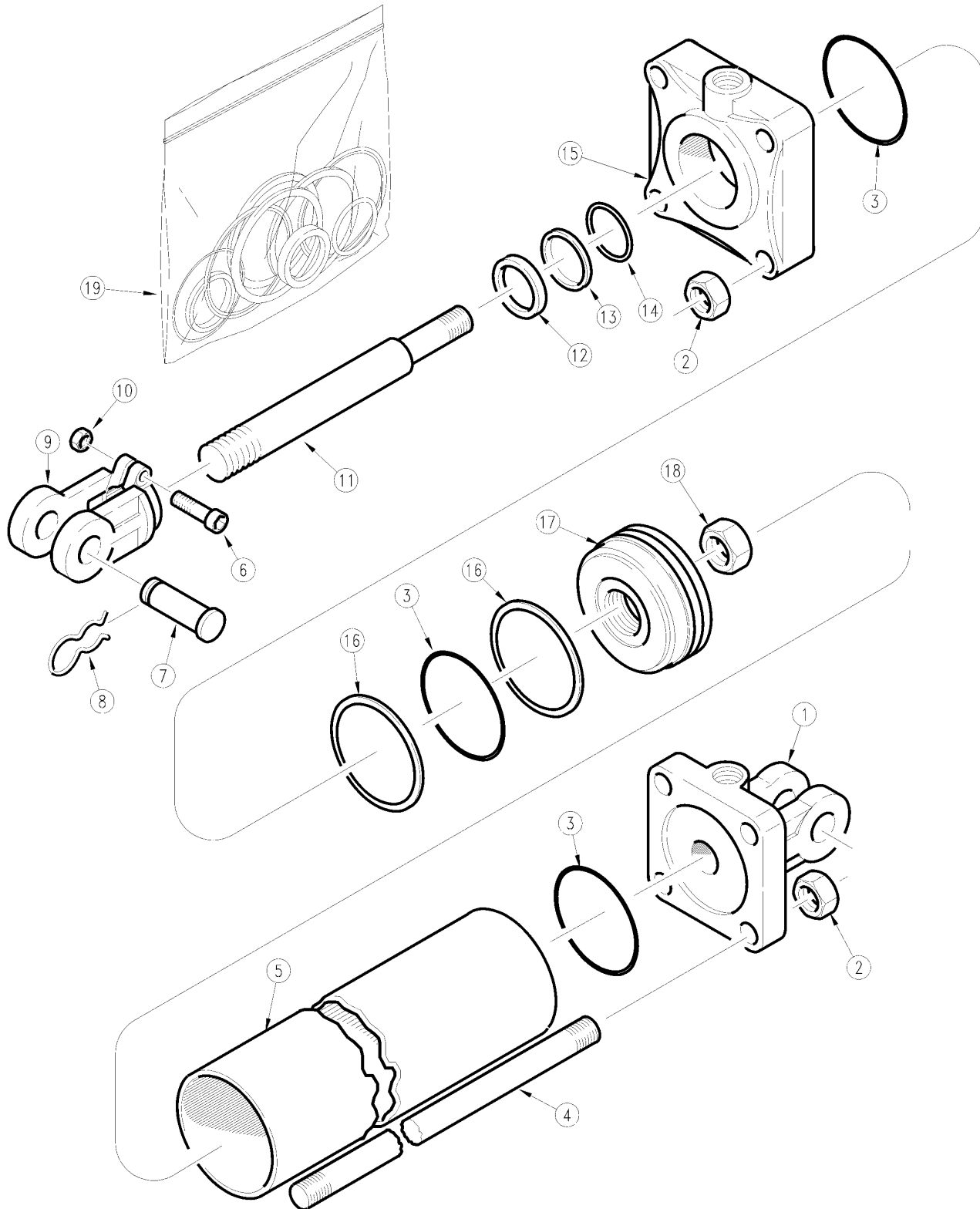
10207

Hydraulic Cylinder (810-005C)**Applies to LR2572, LR2584, LR2596**

Ref	Part No.	Part Description	Comments	Revision
	dwg10207	Drawing Image Number		
	810-005C	CYL 2X8X1.12 ROD SINGLE ACTING		
1.	A-2526	EGY PISTON ROD		
2.		BACKUP RING 2" OD	Only found in seal kit 13.	
3.		ROD WIPER	Only found in seal kit 13.	
4.		O-RING 1 1/8" ID X 1 3/8"OD	Only found in seal kit 13.	
5.	A-1906	EGY PISTON ROD GUIDE		
6.	B-988	EGY CYLINDER BODY		
7.		O-RING 1 5/8" ID X 2" OD	Only found in seal kit 13.	
8.		O-RING 3/4" ID X 7/8" OD	Only found in seal kit 13.	
9.	A-1845	EGY PISTON		
10.	82464	EGY 7/8-14UNF REG HEX LOCK NUT		
11.	83198	EGY RETAINER RING INTERNAL		
12.		BACKUP RING 1 3/8" OD	Only found in seal kit 13.	
13.	810-012C	CYL SEAL KIT 2 X 8 (ENERGY)		

Hydraulic Cylinder (810-162C)

Applies to LR2572, LR2584, LR2596



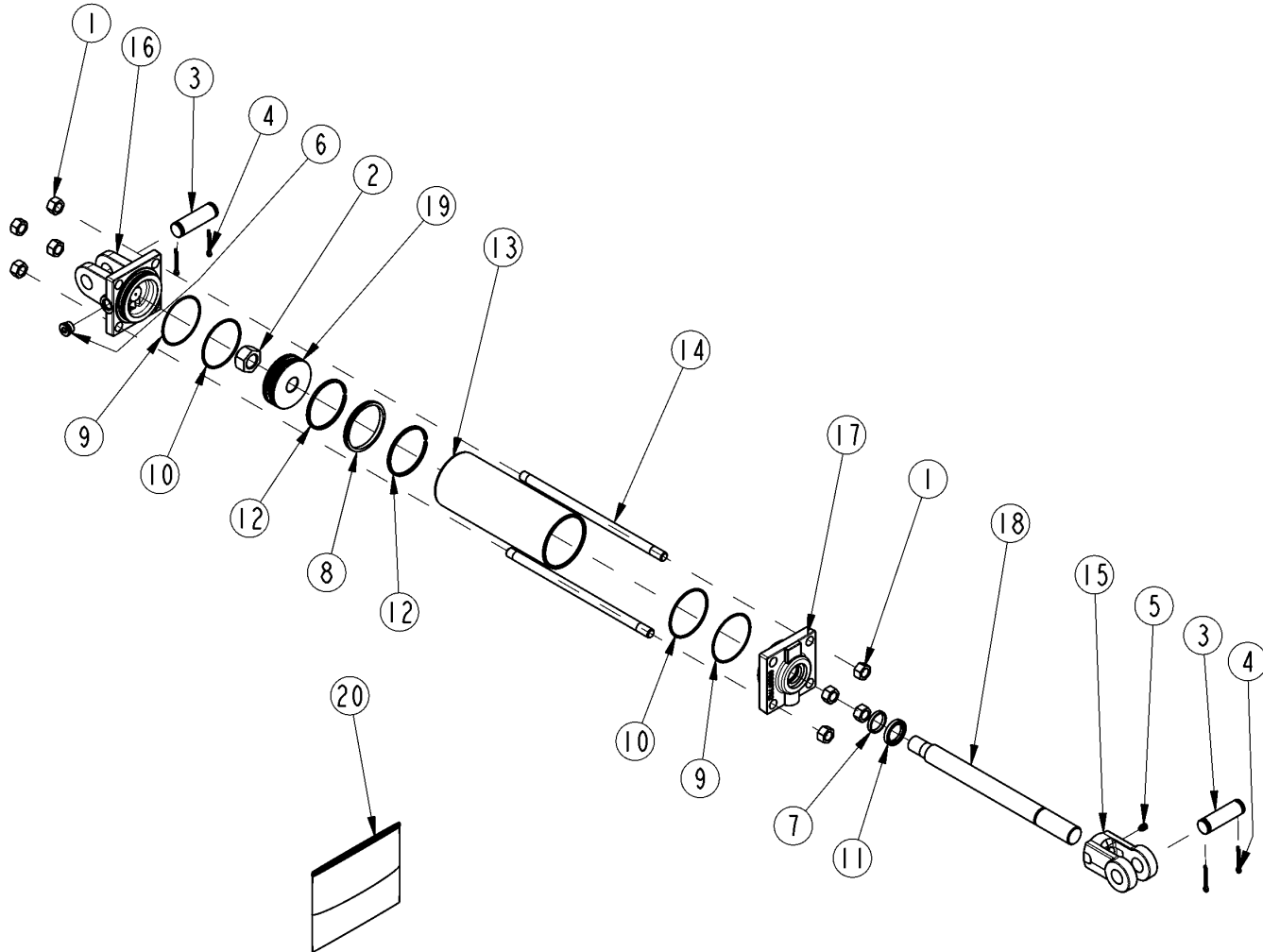
11421

Hydraulic Cylinder (810-162C)**Applies to LR2572, LR2584, LR2596**

Ref	Part No.	Part Description	Comments	Revision
	dwg11421	Drawing Image Number		
	810-162C	CYL 3.5X8X1.25 ROD (TIE ROD)		
1.	6M5142	MW BASE (STD 1" PIN)		
1.	1D1509-4	BASE CROSS		
1.	492676	LION CLEVIS CAP 3.5 ORB		
2.	2A0016	MW TIE ROD NUT		
2.	2A0236-9	TIE ROD NUT CROSS		
2.	128271	LION NUT5/8-18G5(RPBY 803-022C)		
3.		O-RING	Only found in seal kit 19.	
4.	7M5316	MW ROD		
4.	2A0581-1325	TIE ROD CROSS		
4.	492338	LION TIE ROD 5/8 X 8		
5.	5M5116	MW TUBE 3 1/2 X 8 CYLINDER		
5.	1D0009-1050	TUBE CROSS		
5.	491798	LION CYL. TUBE 3.5 X 8		
6.	2A0006	MW CAPSCREW		
6.	2A0079-616	CROSS SCREW, CAP		
6.	148390	LION SCKT SS 3/8(RPBY 801-023C)		
7.	2A0208	MW CLEVIS PIN		
7.	1D1551-16275	CROSS CLEVIS PIN		
7.	134953	LION PIN		
8.	2A0132	MW PIN CLIP		
8.	2A0308-1	CROSS PIN, CLIP		
8.	134952	LION PIN CLIP-CLEVIS		
9.	1M6010	MW CLEVIS STD. DUTY		
9.	1D1003-5	CROSS ROD CLEVIS		
9.	492652	LION ROD CLEVIS 1 1/4 (1"PIN)		
10.	2A0012	MW NUT CLEVIS & TIE ROD		
10.	2A0235-6	CROSS NUT, CLEVIS & TIE ROD		
10.	498006	LION THREAD LOCK-NYLON		
11.	2M5414	MW TIE ROD		
11.	1D0205-1262	ROD CROSS		
11.	492700	LION ROD 1.25 DIA. ASAE 8		
12.		WIPER	Only found in seal kit 19.	
13.		BACKUP ROD	Only found in seal kit 19.	
14.		O-RING	Only found in seal kit 19.	
15.	3M5408	MW HEAD		
15.	1D1159-4	HEAD CROSS		
15.	492677	LION ROD CAP 3.5 X 1 1/4 ORB		
16.		BACKUP PISTON	Only found in seal kit 19.	
17.	4M5102	MW PISTON 3 1/2 DIA.		
17.	1D1401-350	PISTON CROSS		
17.	492528	LION PISTON 3.5 DIA CST DI		
18.	2A0024	MW PISTON NUT 1"-14		
18.	1A1141	PISTON NUT CROSS		
18.	129110	LION NUT HEX 1-14UNS GR5 PHOSP		
19.	810-149C	SEAL KIT 810-104C MW 3A5102		
19.	810-146C	SEAL KIT CROSS 3.5 CYL 1C4429		
19.	810-256C	SEAL KIT LN 639577 3.5BX1.25RD		

Hydraulic Cylinder (810-162C) Red Lion

Applies to LR2572, LR2584, LR2596



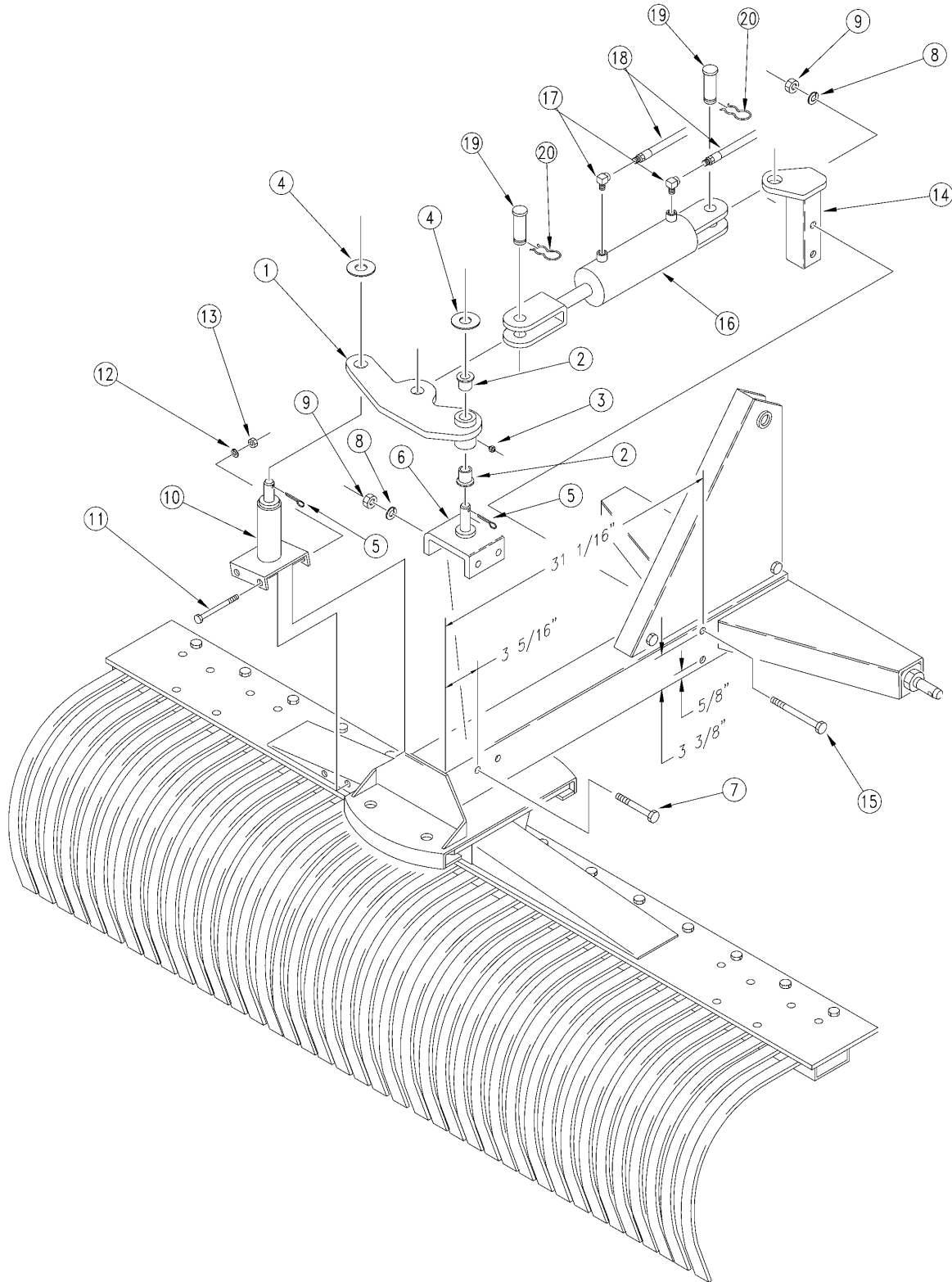
25900

Hydraulic Cylinder (810-162C) Red Lion**Applies to LR2572, LR2584, LR2596**

Ref	Part No.	Part Description	Comments	Revision
	dwg25900	Drawing Image Number		
	810-162C	CYL 3.5X8X1.25 ROD (TIE ROD) *		
1.	803-022C	NUT HEX 5/8-18 PLT		
2.	130560	MON PISTON NUT		
3.	134953	LION PIN		
4.	135995	MON CLEVIS PIN COTTER		
5.	801-023C	SCREW SET SH 3/8-16X3/8 TYPE C		
6.	186562	LION PLUG 3/4-16UNF SOCKET HD		
7.	N/A	MON ROD SEAL	Only Found in Kit #20	
8.	N/A	MON PISTON SEAL (PSP)	Only Found in Kit #20	
9.	N/A	LION B.U. WASHER 073-236	Only Found in Kit #20	
10.	N/A	MON END CAP O-RING	Only Found in Kit #20	
11.	N/A	SEAL WIPER ROD	Only Found in Kit #20	
12.	N/A	MON PISTON WEAR RING	Only Found in Kit #20	
13.	491798	LION CYL. TUBE 3.5 X 8		
14.	492338	LION TIE ROD 5/8 X 8		
15.	492652	LION ROD CLEVIS 1 1/4 (1PIN)		
16.	492676	LION CLEVIS CAP 3.5 ORB		
17.	492677	LION ROD CAP 3.5 X 1 1/4 ORB		
18.	492700	LION ROD 1.25 DIA. ASAE 8		
19.	494754	MON PISTON		
20.	648411	MON SEALS REPAIR KIT		

Rake Angling Kit

Applies to LR2572, LR2584, LR2596



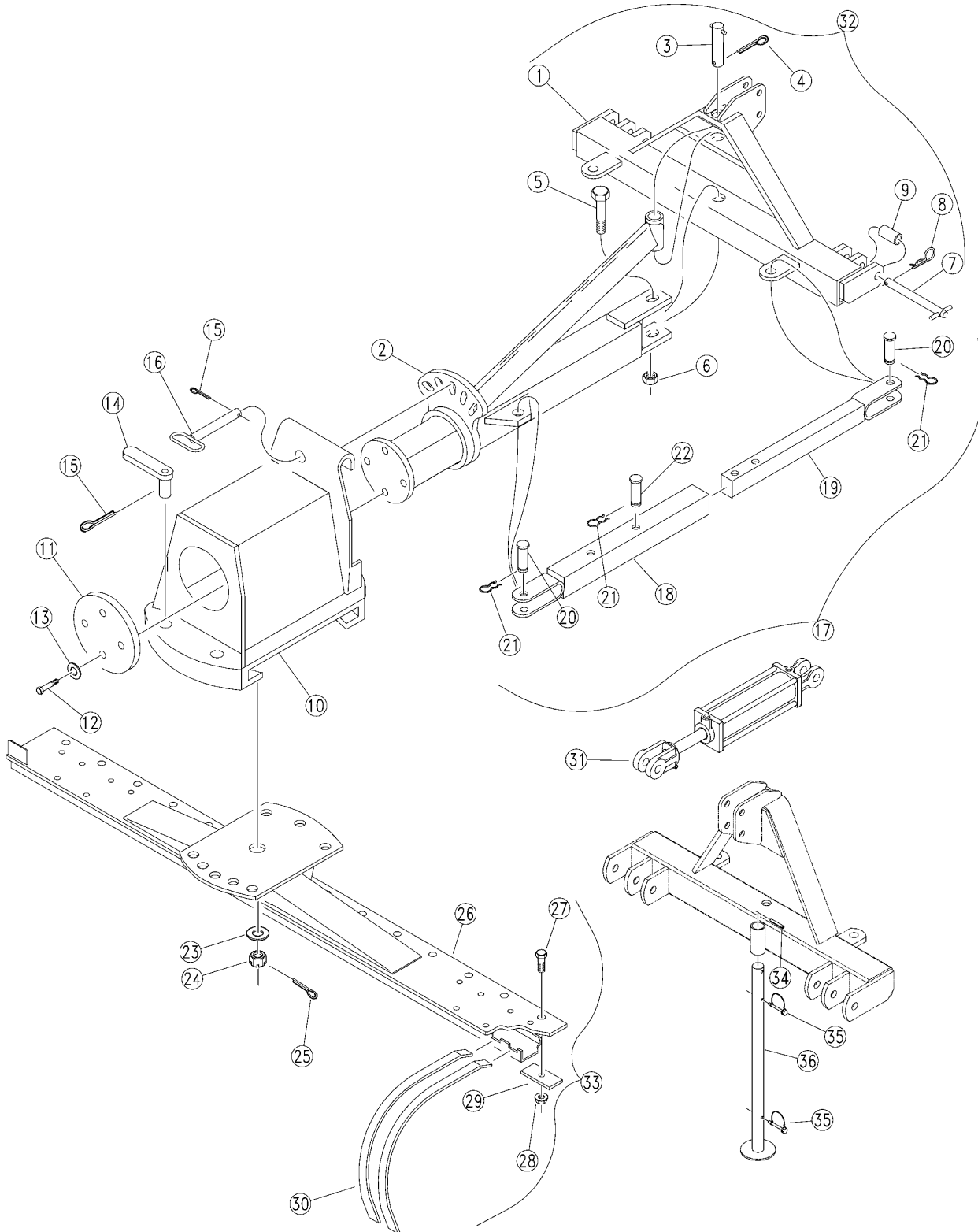
10314

Rake Angling Kit**Applies to LR2572, LR2584, LR2596**

Ref	Part No.	Part Description	Comments	Revision
	dwg10314	Drawing Image Number		
	302-183A	25 SERIES RAKE ANGLING KIT	(S/N 51887+)	Rev. 2 not compat. w/Rev. 1.
	302-178A	25 SERIES RAKE CYLINDER OPTION	(S/N 42980 <-> 51886)	Rev. 1
1.	302-129H	RAKE CYLINDER PIVOT WLDMT		
2.	817-048C	SPINDLE BUSHING		
3.	800-001C	GREASE ZERK STRAIGHT 1/4-28		
4.	804-029C	WASHER FLAT 1 SAE		
5.	805-016C	PIN COTTER 3/16 X 1 1/4 PLT		
6.	302-130H	CYL FRAME MOUNT WELDMENT		
7.	802-047C	HHCS 1/2-13X6 GR5	(S/N 42980+)	Rev. 2 not compat. w/Rev. 1.
7.	802-201C	HHCS 1/2-13X4 3/4 GR5	(S/N 42979-)	Rev. 1
8.	804-015C	WASHER LOCK SPRING 1/2 PLT		
9.	803-020C	NUT HEX 1/2-13 PLT		
10.	302-182H	LR25 CYLINDER MOUNT WELDMENT	(S/N 51887+)	Rev. 3 not compat. w/Rev. 2.
10.	302-159H	LR25 CYLINDER MOUNT WELDMENT	(S/N 42980 <-> 51886)	Rev. 2 not compat. w/Rev. 1.
10.	302-131H	CYLINDER RAKE MOUNT WELDMENT	(S/N 42979-)	Rev. 1
11.	802-027C	HHCS 3/8-16X4 1/2 GR5	(S/N 51887+)	Rev. 3 not compat. w/Rev. 2.
11.	802-318C	HHCS 3/8-16X5 GR5	(S/N 42980 <-> 51886)	Rev. 2 not compat. w/Rev. 1.
11.	802-024C	HHCS 3/8-16X3 GR5	(S/N 42979-)	Rev. 1
12.	804-013C	WASHER LOCK SPRING 3/8 PLT		
13.	803-014C	NUT HEX 3/8-16 PLT		
14.	302-132H	CYLINDER MOUNT WELDMENT		
15.	802-260C	HHCS 1/2-13X7 GR5		
16.	810-005C	CYL 2X8X1.12 ROD SINGLE ACTING		
17.	811-026C	EL 3/8MNPT 3/8FNPT		
18.	811-296C	HH1/4R1 084 3/8MNPT 1/2MNPT		
19.	805-004C	PIN CLEVIS 1 X 2 3/4 USABLE LG		
20.	805-088C	PIN, HAIR COTTER 3/16 WIRE DIA		

Frame & Rake

Applies to LR3572, LR3584, LR3596



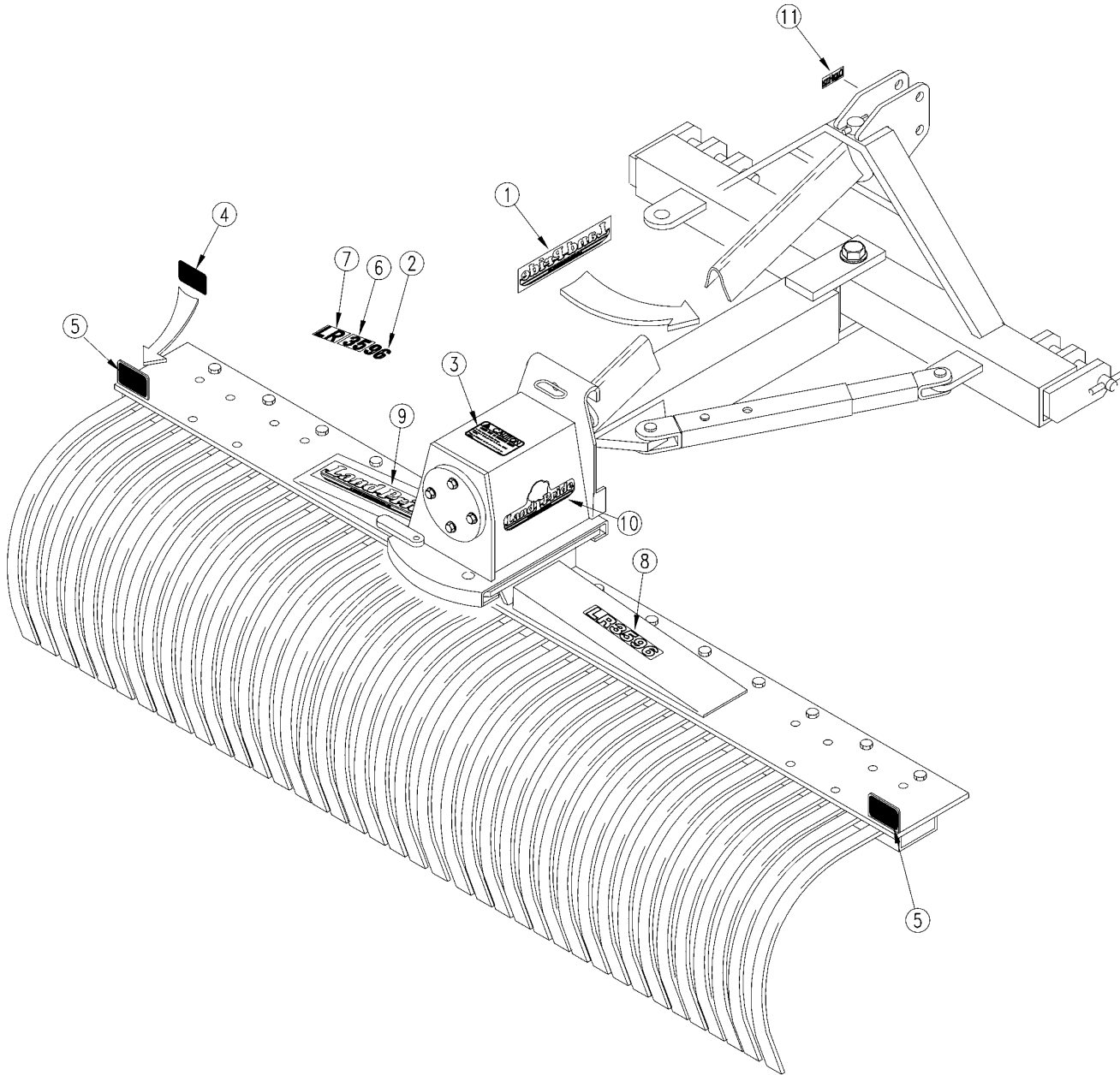
10319

Frame & Rake**Applies to LR3572, LR3584, LR3596**

Ref	Part No.	Part Description	Comments	Revision
	dwg10319	Drawing Image Number		
1.	300-071H	35 SERIES BLADE & RAKE FRAME		
1.	300-071H82	35 BLADE/RAKE FRAME ORANGE		
2.	300-072H	35 SERIES REAR FRAME		
2.	300-072H82	35 REAR FRAME ORANGE		
3.	300-077S	PIVOT PIN ASSY		
4.	805-017C	PIN COTTER 3/16 X 1 3/4 PLT		
5.	802-074C	HHCS 1-8X6 1/2 GR5		
6.	803-038C	NUT HEX 1-8 NYLON INSERT PLT		
7.	305-067S	LOWER HITCH PIN ASSY		Rev. 2
7.	300-106S	REP BY 305-067S		Rev 1; Use up stock
8.	805-015C	PIN LYNCH 5/16 X 1 3/4		
9.	300-296D	BUSHING		
10.	300-073H	TILT TURNTABLE W.A.		
10.	300-073H82	TILT TURNTABLE W.A. ORANGE		
11.	300-084D	RETAINER PLATE		
12.	802-209C	HHCS 5/8-18X1 GR5		
13.	804-022C	WASHER LOCK SPRING 5/8 PLT		
14.	805-203C	PIN 1 1/8OD X2 1/8 USBL W/HNDL		
15.	805-032C	PIN HAIR COTTER .148 WIRE		
16.	805-202C	PIN 3/4OD X 2 7/32 USBL W/HNDL		
17.	300-079K	MALE-FEMALE LINK ASSY		
18.	300-075H	FEMALE LINK WELDMENT		
19.	300-076H	MALE LINK WELDMENT		
20.	805-137C	PIN CLEVIS 1 X 2 PLT		
21.	805-088C	PIN, HAIR COTTER 3/16 WIRE DIA		
22.	805-090C	PIN CLEVIS 1 X 3 3/16 LG		
23.	804-028C	WASHER FLAT 1 USS		
24.	803-095C	NUT HEX SLOTTED 1-14		
25.	805-017C	PIN COTTER 3/16 X 1 3/4 PLT		
26.	302-160H	LR25/3572 RAKE MOUNT WELDM'T		
26.	302-161H	LR25/3584 RAKE MOUNT WELDM'T		
26.	302-162H	LR25/3596 RAKE MOUNT WELDM'T		
27.	802-022C	HHCS 3/8-16X1 1/2 GR5		
28.	803-171C	MAC-LOK 3/8-16 SUPER FLANGE		
29.	302-130D	RAKE TINE CLIP		
30.	820-037C	RAKE TOOTH 1		
31.	810-162C	CYL 3.5X8X1.25 ROD (TIE ROD)		
32.	300-078A	35 SERIES FRAME ASSY		
33.	302-167A	LR25/3572 RAKE ASS'Y		
33.	302-168A	LR25/3584 RAKE ASS'Y		
33.	302-169A	LR25/3596 RAKE ASS'Y		
34.	805-177C	PIN ROLL 5/16 X 1 3/4 PLT	(S/N 197311+)	
35.	805-065C	PIN WIRE RETAINING 1/4 X 1 3/4	(S/N 197311+)	
36.	300-171H	SUPPORT STAND WELDMENT - RB35	(S/N 197311+)	

Label Placement

Applies to LR3572, LR3584, LR3596



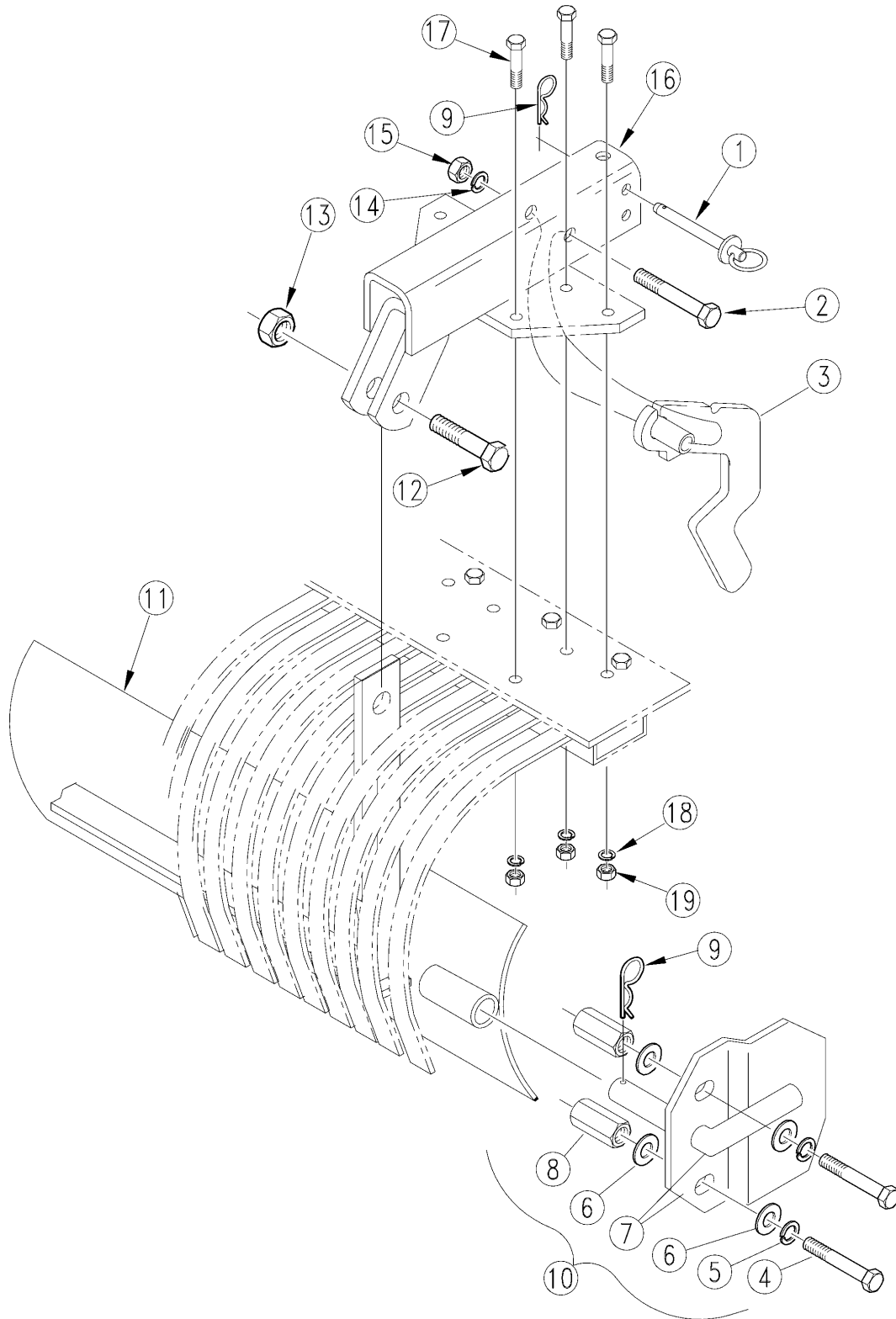
Label Placement

Applies to LR3572, LR3584, LR3596

Ref	Part No.	Part Description	Comments	Revision
	dwg17575	Drawing Image Number		
	302-156A	LR3572 DECAL PACKAGE		
	302-157A	LR3584 DECAL PACKAGE		
	302-158A	LR3596 DECAL PACKAGE		
1.	818-899C	DECAL LANDPRIDE 13.25" - BROWN	(S/N 252303+)	Rev. 2 not compat. w/Rev. 1.
2.	818-109C	DECAL 72 LP - BUCKSKIN	(S/N 252302-)	
2.	818-111C	DECAL 84 LP - BUCKSKIN	(S/N 252302-)	
2.	818-112C	DECAL 96 LP - BUCKSKIN	(S/N 252302-)	
3.	818-202C	DECAL CAUTION FALL MBOARD/RAKE		
4.	818-229C	DECAL AMBER REFLECTOR	LR3596 ONLY	
5.	818-230C	DECAL RED REFLECTOR		
6.	818-103C	DECAL 35 SERIES LP - BUCKSKIN	(S/N 252302-)	
7.	818-735C	DECAL LR LAND PRIDE BUCKSKIN	(S/N 252302-)	
8.	838-002C	DECAL LR3584-BEIGE	(S/N 252303+)	
8.	838-003C	DECAL LR3596-BEIGE	(S/N 252303+)	
9.	818-898C	DECAL LANDPRIDE 10" - BIEGE	(S/N 252303+)	
10.	818-896C	DECAL LP W/TREE 6" - 2 COLOR	(S/N 252303+) Beige Unit	
10.	838-968C	DECAL LP 6 W/TREE BROWN/GOLD	Orange Unit	
11.	838-517C	DECAL QUICK HITCH SYSTEM		

Flip Down Grader Blade

Applies to LR3572, LR3584, LR3596



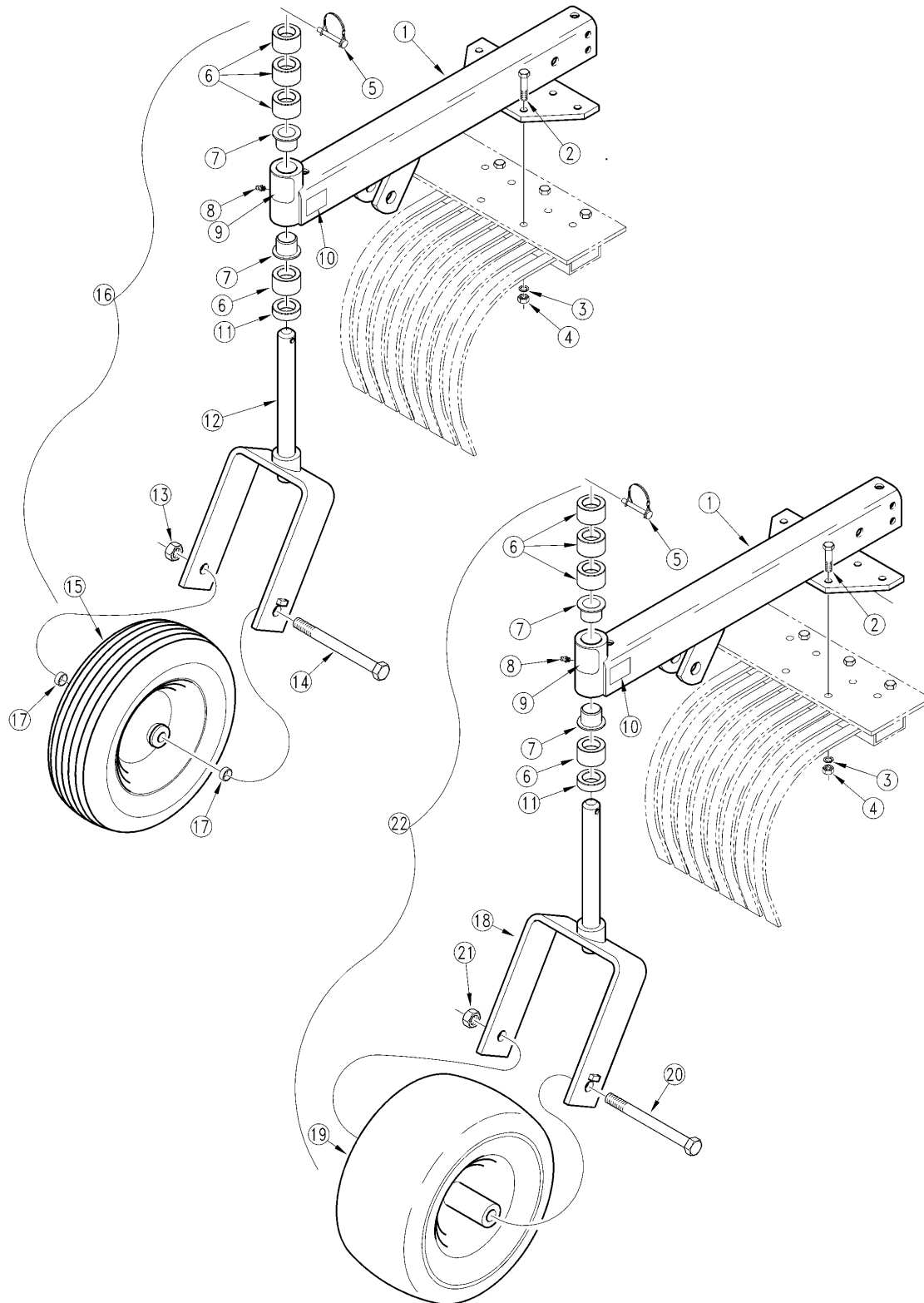
20983

Flip Down Grader Blade**Applies to LR3572, LR3584, LR3596**

Ref	Part No.	Part Description	Comments	Revision
	dwg20983	Drawing Image Number		
	302-152A	FLIP DOWN GRADER BLADE ASSY 5'	Consist of items 1 - 15	
	302-105A	6' GRADER BLADE ASY	Consist of items 1 - 15	
	302-106A	7' GRADER BLADE ASY	Consist of items 1 - 15	
	302-107A	8' GRADER BLADE ASY	Consist of items 1 - 15	
	302-260A	GB MOUNT LESS DUAL GW	Consist of items 16 - 19	
1.	805-001C	PIN BENT 3/8 X 3 USABLE LW/PIN		
2.	802-039C	HHCS 1/2-13X3 GR5		
3.	302-097H	BLADE LOCK HANDLE WELDMENT		
4.	802-080C	HHCS 7/16-14X1 GR5		
5.	804-014C	WASHER LOCK 7/16 PLT		
6.	804-041C	WASHER FLAT 7/16 SAE PLT		
7.	302-017H	SIDE PLATE WELDMENT		
8.	803-067C	NUT HEX CPLR 7/16-14X1 3/4 PLT		
9.	805-032C	PIN HAIR COTTER .148 WIRE		
10.	302-124S	GRADER BLADE SIDE PLATE ASSY		
11.	302-145H	5' GRADER BLADE WELDMENT		
11.	302-098H	6' GRADER BLADE WELDMENT		
11.	302-099H	7' GRADER BLADE WELDMENT		
11.	302-100H	8' GRADER BLADE WELDMENT		
12.	802-086C	HHCS 3/4-10X2 3/4 GR5		
13.	803-026C	NUT LOCK 3/4-10 PLT		
14.	804-015C	WASHER LOCK SPRING 1/2 PLT		
15.	803-020C	NUT HEX 1/2-13 PLT		
16.	302-204H	GRADER BLD MTG PULL TYPE		
17.	802-216C	HHCS 3/8-16X2 3/4 GR5		
18.	804-060C	WASHER INT-EXT 3/8 PLT		
19.	803-014C	NUT HEX 3/8-16 PLT		

Gauge Wheel Dual

Applies to LR3572, LR3584, LR3596



10325

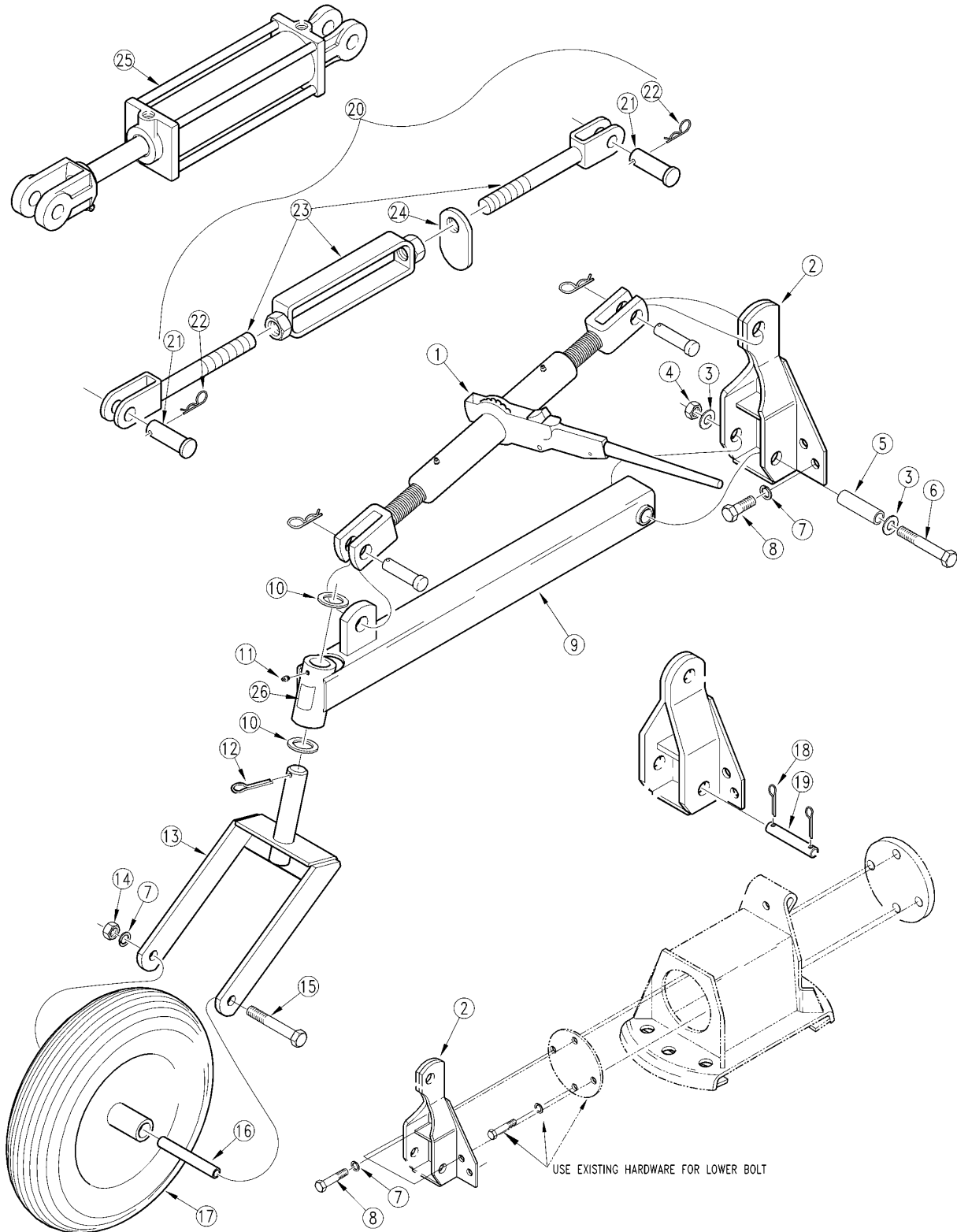
Gauge Wheel Dual

Applies to LR3572, LR3584, LR3596

Ref	Part No.	Part Description	Comments	Revision
	dwg10325	Drawing Image Number		
1.	302-202H	RAKE DUAL G.W. WELDMENT		Rev. 2
1.	302-094H	RPBY 302-202H		Rev 1; Use up stock
2.	802-216C	HHCS 3/8-16X2 3/4 GR5		
3.	804-060C	WASHER INT-EXT 3/8 PLT		
4.	803-014C	NUT HEX 3/8-16 PLT		
5.	805-065C	PIN WIRE RETAINING 1/4 X 1 3/4		
6.	827-002C	SPACER 1"		
7.	817-048C	SPINDLE BUSHING		
8.	800-001C	GREASE ZERK STRAIGHT 1/4-28		
9.	818-335C	DECAL RED NARROW REFLECTOR		
10.	818-298C	DECAL GREASE 25HRS BLACK/WHITE		
11.	827-001C	SPACER 1/2"		
12.	302-095H	NARROW GW YOKE WELDMENT		
13.	803-094C	NUT 5/8-11 NYLON COLLAR THIN		
14.	802-262C	HHCS 5/8-11X7 GR5		
15.	814-041C	WHEEL & TIRE PNEU 4.10 X 6		Gauge wheel tires should be inflated to 25 PSI.
16.	302-176A	DUAL GAUGE WHEELS-NRW 91+		
17.	302-076D	WHEEL SPACER		
18.	302-096H	WIDE GW YOKE WELDMENT		
19.	814-053C	TIRE & WHL 13/6.50X6 W/3/4 BOR		
20.	802-072C	HHCS 3/4-10X9 1/2 GR5		
21.	803-025C	NUT HEX 3/4-10 PLT NYLOCK		
22.	302-174A	DUAL GAUGE WHEELS-WIDE 91+		

Gauge Wheel Single

Applies to LR3572, LR3584, LR3596



16952

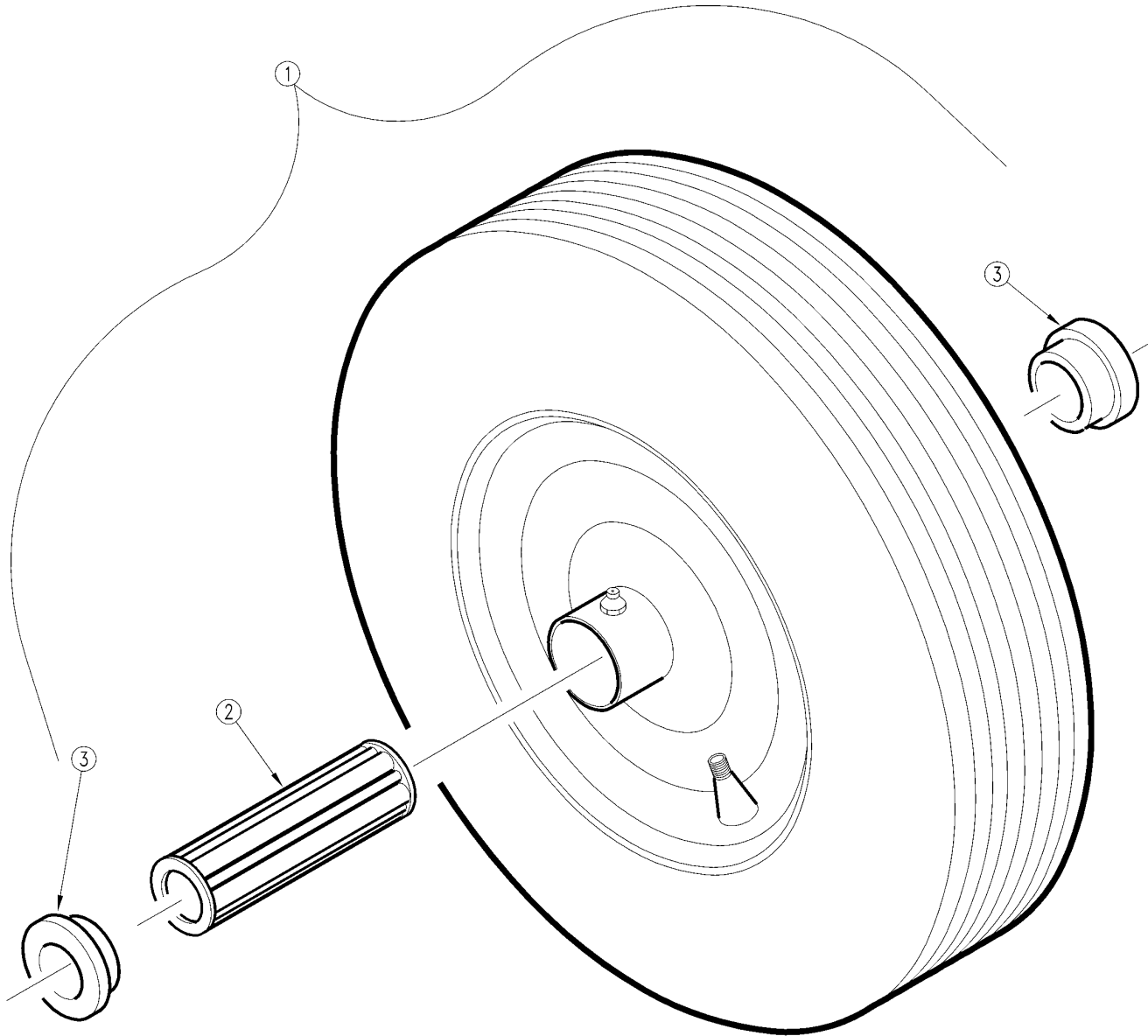
Gauge Wheel Single

Applies to LR3572, LR3584, LR3596

Ref	Part No.	Part Description	Comments	Revision
	dwg16952	Drawing Image Number		
	300-014A	25 & 35 BLADE & RAKE SINGLE GW	Includes items 1 through 18	
1.	890-177C	RATCHET JACK - HEAVY DUT		
2.	300-015H	GAUGE WHEEL MOUNT WELDMENT		
3.	804-021C	WASHER FLAT 5/8 SAE PLT		
4.	803-024C	NUT LOCK 5/8-11 PLT		
5.	300-375D	TB RD DOM. 7/8ODX11GWLX3 15/16		
6.	802-062C	HHCS 5/8-11X5 GR5		
7.	804-022C	WASHER LOCK SPRING 5/8 PLT		
8.	802-207C	HHCS 5/8-18X1 1/2 GR5		
9.	300-016H	ARM WELDMENT		
10.	804-062C	WASHER MACH 1.88 X 1.25 X 10GA		
11.	800-080C	GREASE ZERK 1/4-28 THD FORMING		
12.	805-105C	PIN COTTER 1/4 X 2 1/2 PLT		
13.	300-017H	YOKE WELDMENT		
14.	803-021C	NUT HEX 5/8-11 PLT		
15.	802-208C	HHCS 5/8-11X8 GR5		
16.	300-050D	SINGLE GAUGE WHEEL SLEEVE		
17.	814-039C	WHEEL & TIRE PNEU 4.8/4.00 X 8		
18.	805-104C	PIN COTTER 3/16 X 1 1/2 PLT	Replaced by items 3, 4, 6 & 7	
19.	300-042D	MOUNT PIN	Replaced by items 3, 4, 6 & 7	
20.	300-068K	TURNBUCKLE ASSEMBLY	Replaced by 890-177C item 1	
21.	805-090C	PIN CLEVIS 1 X 3 3/16 LG		
22.	805-088C	PIN, HAIR COTTER 3/16 WIRE DIA		
23.	300-067H	SINGLE GW TURNBUCKLE WELDMENT		
24.	300-057D	LOCK TAB		
25.	810-162C	CYL 3.5X8X1.25 ROD (TIE ROD)		
26.	818-335C	DECAL RED NARROW REFLECTOR		

Gauge Wheel Tire (814-041C)

Applies to LR3572, LR3584, LR3596



13625

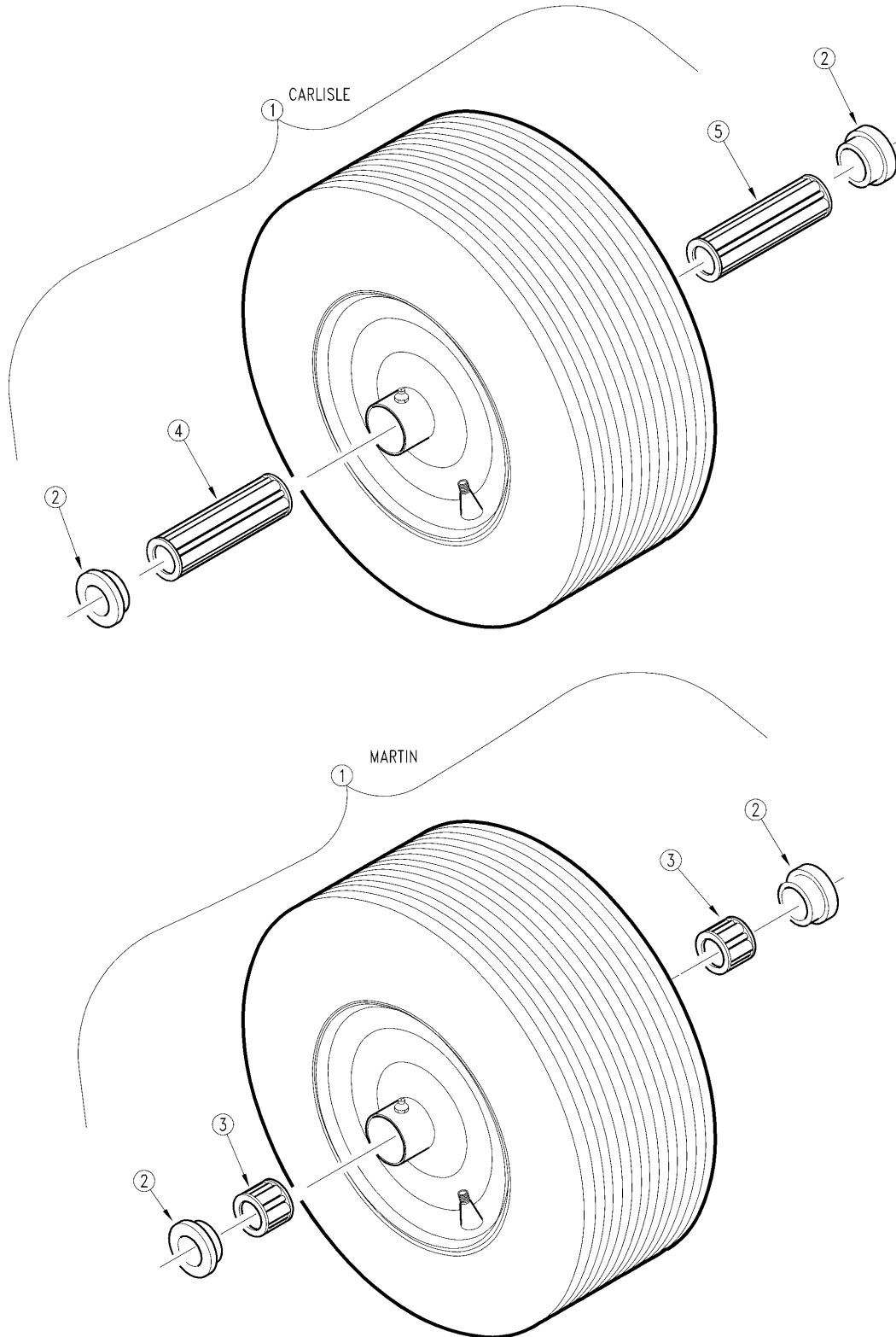
Gauge Wheel Tire (814-041C)

Applies to LR3572, LR3584, LR3596

Ref	Part No.	Part Description	Comments	Revision
	dwg13625	Drawing Image Number		
1.	814-041C	WHEEL & TIRE PNEU 4.10 X 6		
2.	822-089C	BEARING 5/8X1 3/8X1 GLEASON587	two required	
2.	53-181	TILDEN BRG 5/8IDX1 3/8ODX2 1/2	one required	
3.	890-173C	END CAP GLEASON 4206		
3.	53-167	TILDEN RTNR 5/8IDX1 3/8ODX1/4L		

Gauge Wheel Tire (814-053C)

Applies to LR3572, LR3584, LR3596



13627

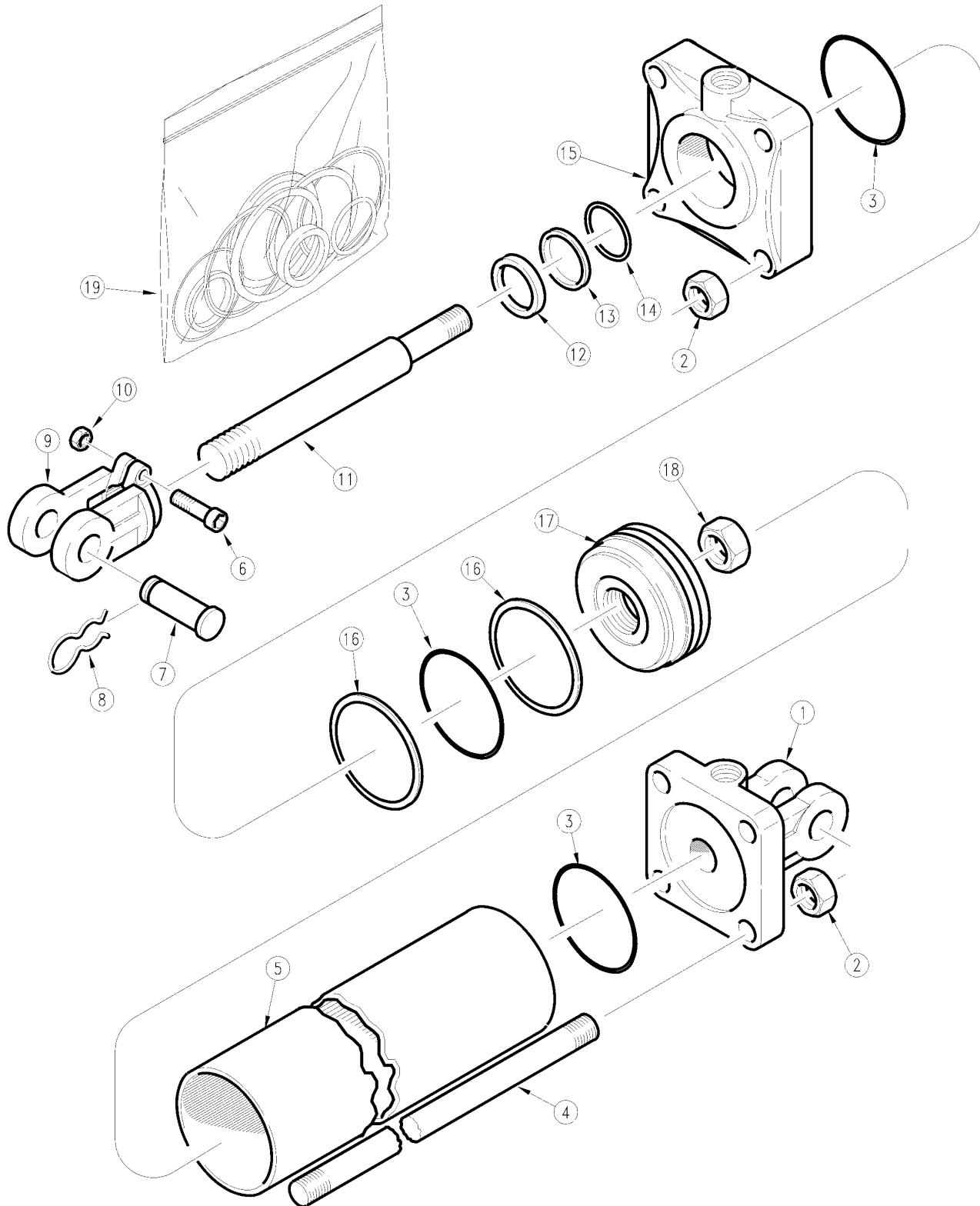
Gauge Wheel Tire (814-053C)

Applies to LR3572, LR3584, LR3596

Ref	Part No.	Part Description	Comments	Revision
	dwg13627	Drawing Image Number		
1.	814-053C	TIRE & WHL 13/6.50X6 W/3/4 BOR		
2.	53-164	TILDEN RTNR 3/4IDX1 3/8OD		
3.	53-189	TILDEN BRG 3/4ID1.34ODX15/16L		
4.	822-222C	BRG .75X1.38X3.75L ROLLER		
5.	822-223C	BRG .75X1.38X3.00L ROLLER		

Hydraulic Cylinder (810-162C)

Applies to LR3572, LR3584, LR3596



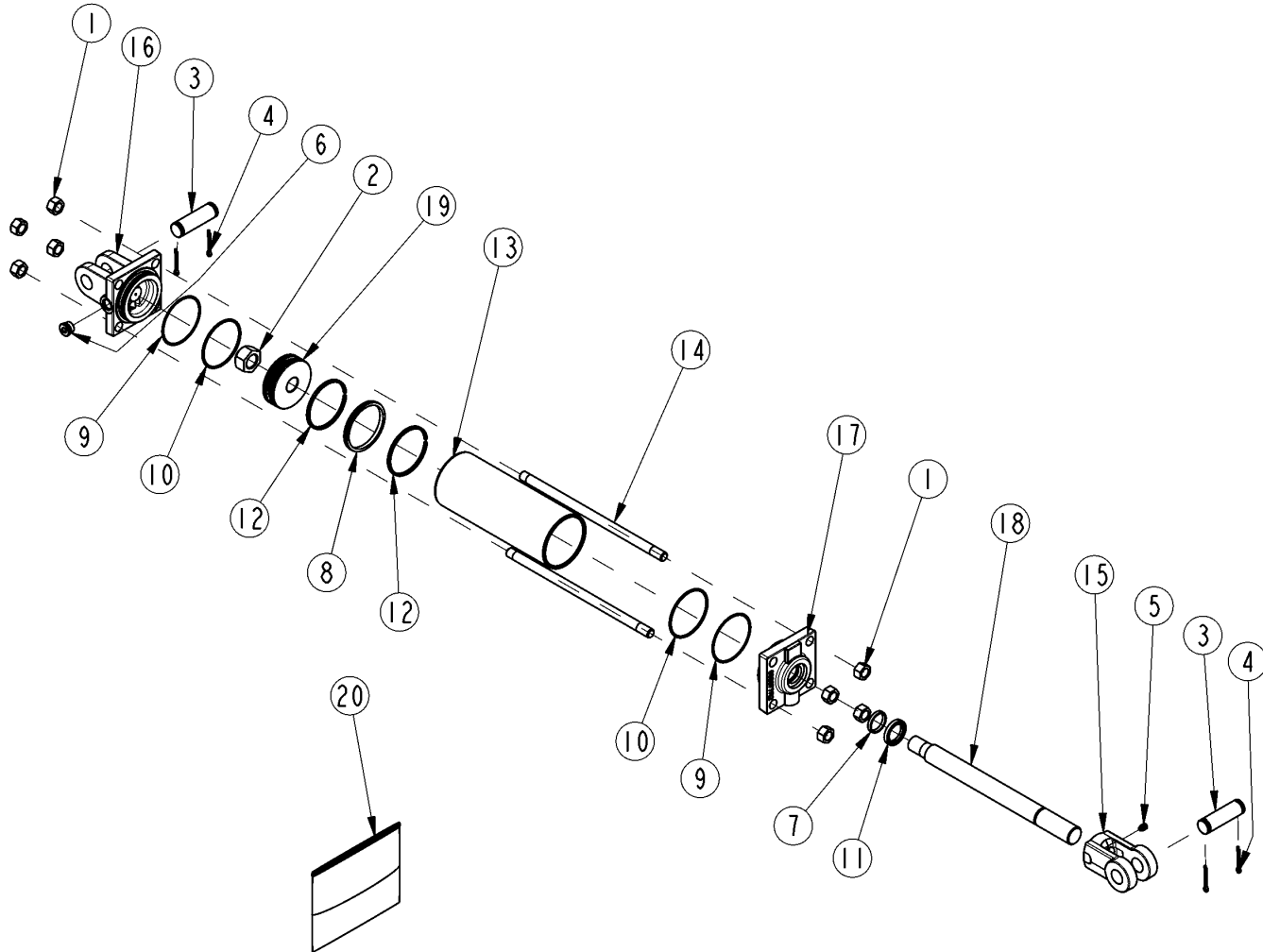
11421

Hydraulic Cylinder (810-162C)**Applies to LR3572, LR3584, LR3596**

Ref	Part No.	Part Description	Comments	Revision
	dwg11421	Drawing Image Number		
	810-162C	CYL 3.5X8X1.25 ROD (TIE ROD)		
1.	6M5142	MW BASE (STD 1" PIN)		
1.	1D1509-4	BASE CROSS		
1.	492676	LION CLEVIS CAP 3.5 ORB		
2.	2A0016	MW TIE ROD NUT		
2.	2A0236-9	TIE ROD NUT CROSS		
2.	128271	LION NUT5/8-18G5(RPBY 803-022C)		
3.		O-RING	Only found in seal kit 19.	
4.	7M5316	MW ROD		
4.	2A0581-1325	TIE ROD CROSS		
4.	492338	LION TIE ROD 5/8 X 8		
5.	5M5116	MW TUBE 3 1/2 X 8 CYLINDER		
5.	1D0009-1050	TUBE CROSS		
5.	491798	LION CYL. TUBE 3.5 X 8		
6.	2A0006	MW CAPSCREW		
6.	2A0079-616	CROSS SCREW, CAP		
6.	148390	LION SCKT SS 3/8(RPBY 801-023C)		
7.	2A0208	MW CLEVIS PIN		
7.	1D1551-16275	CROSS CLEVIS PIN		
7.	134953	LION PIN		
8.	2A0132	MW PIN CLIP		
8.	2A0308-1	CROSS PIN, CLIP		
8.	134952	LION PIN CLIP-CLEVIS		
9.	1M6010	MW CLEVIS STD. DUTY		
9.	1D1003-5	CROSS ROD CLEVIS		
9.	492652	LION ROD CLEVIS 1 1/4 (1"PIN)		
10.	2A0012	MW NUT CLEVIS & TIE ROD		
10.	2A0235-6	CROSS NUT, CLEVIS & TIE ROD		
10.	498006	LION THREAD LOCK-NYLON		
11.	2M5414	MW TIE ROD		
11.	1D0205-1262	ROD CROSS		
11.	492700	LION ROD 1.25 DIA. ASAE 8		
12.		WIPER	Only found in seal kit 19.	
13.		BACKUP ROD	Only found in seal kit 19.	
14.		O-RING	Only found in seal kit 19.	
15.	3M5408	MW HEAD		
15.	1D1159-4	HEAD CROSS		
15.	492677	LION ROD CAP 3.5 X 1 1/4 ORB		
16.		BACKUP PISTON	Only found in seal kit 19.	
17.	4M5102	MW PISTON 3 1/2 DIA.		
17.	1D1401-350	PISTON CROSS		
17.	492528	LION PISTON 3.5 DIA CST DI		
18.	2A0024	MW PISTON NUT 1"-14		
18.	1A1141	PISTON NUT CROSS		
18.	129110	LION NUT HEX 1-14UNS GR5 PHOSP		
19.	810-149C	SEAL KIT 810-104C MW 3A5102		
19.	810-146C	SEAL KIT CROSS 3.5 CYL 1C4429		
19.	810-256C	SEAL KIT LN 639577 3.5BX1.25RD		

Hydraulic Cylinder (810-162C) Red Lion

Applies to LR3572, LR3584, LR3596



25900

Hydraulic Cylinder (810-162C) Red Lion**Applies to LR3572, LR3584, LR3596**

Ref	Part No.	Part Description	Comments	Revision
	dwg25900	Drawing Image Number		
	810-162C	CYL 3.5X8X1.25 ROD (TIE ROD) *		
1.	803-022C	NUT HEX 5/8-18 PLT		
2.	130560	MON PISTON NUT		
3.	134953	LION PIN		
4.	135995	MON CLEVIS PIN COTTER		
5.	801-023C	SCREW SET SH 3/8-16X3/8 TYPE C		
6.	186562	LION PLUG 3/4-16UNF SOCKET HD		
7.	N/A	MON ROD SEAL	Only Found in Kit #20	
8.	N/A	MON PISTON SEAL (PSP)	Only Found in Kit #20	
9.	N/A	LION B.U. WASHER 073-236	Only Found in Kit #20	
10.	N/A	MON END CAP O-RING	Only Found in Kit #20	
11.	N/A	SEAL WIPER ROD	Only Found in Kit #20	
12.	N/A	MON PISTON WEAR RING	Only Found in Kit #20	
13.	491798	LION CYL. TUBE 3.5 X 8		
14.	492338	LION TIE ROD 5/8 X 8		
15.	492652	LION ROD CLEVIS 1 1/4 (1PIN)		
16.	492676	LION CLEVIS CAP 3.5 ORB		
17.	492677	LION ROD CAP 3.5 X 1 1/4 ORB		
18.	492700	LION ROD 1.25 DIA. ASAE 8		
19.	494754	MON PISTON		
20.	648411	MON SEALS REPAIR KIT		



Part Number Index

The Part Number Index is a numeric index of all part numbers included in this manual. The index shows what page(s) the part is used on.

Part Number	Page	Part Number	Page	Part Number	Page	Part Number	Page
128271	67, 87	300-135A	9	302-139A	25	498006	67, 87
129110	67, 87	300-171H	27, 45, 73	302-140A	25	4M5102	67, 87
130560	69, 89	300-176D	7	302-141D	9	53-164	43, 63, 85
134952	67, 87	300-177D	7	302-145H	35, 53, 77	53-167	41, 61, 83
134953	67, 69, 87, 89	300-190D	25, 27	302-148A	31	53-181	41, 61, 83
135995	69, 89	300-190D82	27	302-149A	31	53-189	43, 63, 85
148390	67, 87	300-196D	45, 47	302-150A	31	5M5116	67, 87
186562	69, 89	300-196D82	45	302-151A	31	648411	69, 89
1A1141	67, 87	300-296D	73	302-152A	53, 77	6M5142	67, 87
1D0009-1050	67, 87	300-299D	25, 27	302-152D	21	7M5316	67, 87
1D0205-1262	67, 87	300-337D	9	302-156A	75	800-001C	15, 19, 21, 37, 39, 55, 57, 71, 79
1D1003-5	67, 87	300-370D	9	302-157A	75	800-080C	59, 81
1D1159-4	67, 87	300-370D82	9	302-158A	75	801-023C	69, 89
1D1401-350	67, 87	300-375D	59, 81	302-159H	71	802-010C	7, 9
1D1509-4	67, 87	301-139D	25, 27	302-160H	45, 73	802-012C	21
1D1551-16275	67, 87	301-151D	9	302-161H	45, 73	802-022C	23, 25, 27, 45, 47, 73
1M6010	67, 87	302-002H	7	302-162H	45, 73	802-024C	71
2A0006	67, 87	302-003H	7	302-163H	27	802-027C	71
2A0012	67, 87	302-005H	7	302-164H	27	802-039C	19, 35, 53, 77
2A0016	67, 87	302-006H	7	302-165H	27	802-047C	71
2A0024	67, 87	302-007A	23	302-166H	27	802-062C	59, 81
2A0079-616	67, 87	302-008D	23, 25, 47	302-167A	45, 47, 73	802-072C	37, 39, 55, 57, 79
2A0132	67, 87	302-010A	23	302-168A	45, 47, 73	802-074C	73
2A0208	67, 87	302-014D	23, 25, 47	302-169A	45, 47, 73	802-080C	17, 35, 53, 77
2A0235-6	67, 87	302-017H	35, 53, 77	302-170A	25, 27	802-086C	35, 53, 77
2A0236-9	67, 87	302-020A	19	302-171A	25, 27	802-099C	23, 25, 27
2A0308-1	67, 87	302-021H	19	302-172A	25, 27	802-138C	21
2A0581-1325	67, 87	302-022D	37, 55	302-173A	25, 27	802-146C	7
2M5414	67, 87	302-024H	19	302-174A	39, 57, 79	802-162C	45, 47
300-003H	9	302-025H	19	302-176A	39, 57, 79	802-191C	15, 17
300-013H	45, 47	302-031H	19	302-178A	71	802-201C	71
300-014A	59, 81	302-066D	23, 25, 47	302-179A	51	802-207C	59, 81
300-015H	59, 81	302-076A	23	302-180A	51	802-208C	59, 81
300-016H	59, 81	302-076D	37, 39, 55, 57, 79	302-181A	51	802-209C	73
300-017H	59, 81	302-094H	37, 39, 55, 57, 79	302-182H	71	802-212C	17
300-042D	59, 81	302-095H	37, 39, 55, 57, 79	302-183A	71	802-216C	35, 37, 39, 53, 55, 57, 77, 79
300-050D	59, 81	302-096H	37, 39, 55, 57, 79	302-189H	9	802-226C	9
300-050H	7	302-097H	35, 53, 77	302-190H	9	802-260C	71
300-052H	7	302-098H	35, 53, 77	302-191H	21	802-262C	37, 39, 55, 57, 79
300-053H	23	302-099H	35, 53, 77	302-193A	9	802-318C	71
300-057D	59, 81	302-100H	35, 53, 77	302-194A	9	802-322C	15, 21
300-060H	23	302-101A	37, 55	302-195A	21	803-008C	7
300-061H	45, 47	302-102K	37, 55	302-196A	13	803-014C	15, 17, 23, 25, 35, 37, 39, 47, 53, 55, 57, 71, 77, 79
300-061H82	45	302-103A	37, 55	302-197A	13	803-018C	15, 21
300-062H	45, 47	302-104K	37, 55	302-198H	15, 21	803-019C	19
300-063H	23	302-105A	35, 53, 77	302-202H	37, 39, 55, 57, 79	803-020C	9, 23, 25, 27, 35, 53, 71, 77
300-066A	45, 47	302-106A	35, 53, 77	302-204H	35, 53, 77	803-021C	7, 45, 47, 59, 81
300-067H	59, 81	302-107A	35, 53, 77	302-231H	9	803-022C	69, 89
300-068K	59, 81	302-114D	25	302-232A	9	803-024C	59, 81
300-071H	73	302-115H	23	302-234H	17	803-025C	37, 39, 55, 57, 79
300-071H82	73	302-116H	23	302-235H	17	803-026C	17, 35, 53, 77
300-072H	73	302-117H	23	302-236A	17	803-029C	23
300-072H82	73	302-118H	47	302-249H	17	803-038C	73
300-073H	73	302-119H	47	302-250A	17	803-053C	25, 27
300-073H82	73	302-120H	47	302-252A	17	803-067C	17, 35, 53, 77
300-075H	73	302-121A	47	302-258A	15	803-094C	37, 39, 55, 57, 79
300-076H	73	302-122A	47	302-259H	15	803-095C	45, 47, 73
300-077S	73	302-123A	47	302-260A	35, 53, 77	803-171C	27, 45, 73
300-078A	73	302-124S	35, 53, 77	305-067S	73	803-177C	9, 21
300-079K	73	302-129H	71	308-339D	27, 45	803-185C	9
300-084D	73	302-130D	27, 45, 73	310-305D	21	804-013C	71
300-105H	25, 27	302-130H	71	3M5408	67, 87	804-014C	17, 35, 53, 77
300-105H82	27	302-131H	71	491798	67, 69, 87, 89		
300-106S	73	302-132H	71	492338	67, 69, 87, 89		
300-109A	25, 27	302-133H	25	492528	67, 87		
300-113B	45	302-134H	25	492652	67, 69, 87, 89		
300-120B	27	302-135H	25	492676	67, 69, 87, 89		
300-131H	9	302-136H	25	492677	67, 69, 87, 89		
300-131H82	9	302-137A	25	492700	67, 69, 87, 89		
300-132H	9	302-138A	25	494754	69, 89		



Part Number Index (continued)

Part Number	Page	Part Number	Page	Part Number	Page
804-015C	9, 15, 21, 23, 25, 27, 35, 53, 71, 77	818-102C	51	dwg10408	31
804-016C	19	818-103C	75	dwg10409	25
804-021C	59, 81	818-104C	13	dwg10813	7
804-022C	7, 45, 47, 59, 73, 81	818-107C	33	dwg10820	11
804-028C	45, 47, 73	818-109C	13, 33, 51, 75	dwg11412	19
804-029C	71	818-111C	33, 51, 75	dwg11421	67, 87
804-041C	17, 35, 53, 77	818-112C	33, 51, 75	dwg12009	9
804-055C	23	818-154C	29, 31, 49	dwg12010	21
804-059C	7	818-155C	29, 31, 49	dwg13625	41, 61, 83
804-060C	15, 17, 23, 25, 35, 37, 39, 47, 53, 55, 57, 77, 79	818-156C	29, 31, 49	dwg13627	63, 85
804-061C	19	818-164C	11, 29, 31, 49	dwg15184	23
804-062C	59, 81	818-165C	29, 31, 49	dwg15190	37, 55
805-001C	35, 53, 77	818-202C	13, 29, 31, 33, 49, 51, 75	dwg15191	29
805-002C	17	818-229C	33, 51, 75	dwg15192	47
805-004C	71	818-230C	33, 51, 75	dwg15194	49
805-015C	73	818-231C	31	dwg16952	59, 81
805-016C	23, 71	818-298C	19, 21, 39, 57, 79	dwg17572	13
805-017C	9, 25, 27, 45, 47, 73	818-335C	13, 21, 37, 39, 55, 57, 59, 79, 81	dwg17573	33
805-032C	17, 19, 35, 45, 47, 53, 73, 77	818-735C	13, 33, 51, 75	dwg17574	51
805-045C	19	818-890C	13	dwg17575	75
805-065C	9, 27, 37, 39, 45, 55, 57, 73, 79	818-891C	33, 51	dwg19042	43
805-088C	59, 71, 73, 81	818-896C	75	dwg20983	35, 53, 77
805-089C	19	818-898C	51, 75	dwg20991	15
805-090C	59, 73, 81	818-899C	75	dwg20992	17
805-104C	59, 81	818-900C	33	dwg25900	69, 89
805-105C	59, 81	818-992C	13	N/A	69, 89
805-109C	7	818-993C	13		
805-111C	7, 9, 23, 25, 27, 45, 47	818-994C	33		
805-126C	15, 21	818-995C	33		
805-127C	19	818-996C	33		
805-137C	73	818-997C	33		
805-161C	9, 27, 45	818-998C	51		
805-177C	73	818-999C	51		
805-202C	73	820-036C	7, 9		
805-203C	45, 47, 73	820-037C	23, 25, 27, 45, 47, 73		
805-213C	25, 27	822-089C	41, 61, 83		
805-214C	9	822-222C	63, 85		
807-038C	7	822-223C	63, 85		
810-005C	65, 71	82464	65		
810-012C	65	827-001C	15, 21, 37, 39, 55, 57, 79		
810-146C	67, 87	827-002C	15, 21, 37, 39, 55, 57, 79		
810-149C	67, 87	827-007C	15		
810-162C	59, 67, 69, 73, 81, 87, 89	827-012C	15, 21		
810-256C	67, 87	83198	65		
811-026C	71	838-001C	51		
811-296C	71	838-002C	75		
814-039C	59, 81	838-003C	75		
814-040C	19	838-036C	13		
814-041C	37, 39, 41, 55, 57, 61, 79, 83	838-484C	13		
814-053C	37, 39, 43, 55, 57, 63, 79, 85	838-517C	13, 29, 49, 75		
814-079C	15, 21	838-962C	33, 51		
817-048C	15, 21, 37, 39, 55, 57, 71, 79	838-963C	13		
818-083C	11	838-968C	75		
818-084C	29, 31	890-138C	19		
818-085C	49	890-173C	41, 61, 83		
818-087C	11	890-177C	59, 81		
818-092C	11	A-1845	65		
818-100C	13	A-1906	65		
818-101C	33	A-2526	65		
		B-988	65		
		dwg10207	65		
		dwg10314	71		
		dwg10318	45		
		dwg10319	73		
		dwg10324	27		
		dwg10325	39, 57, 79		



Great Plains Manufacturing, Inc.

Corporate Office: P.O. Box 5060
Salina, Kansas 67402-5060 USA

www.landpride.com

Free Manuals Download Website

<http://myh66.com>

<http://usermanuals.us>

<http://www.somanuals.com>

<http://www.4manuals.cc>

<http://www.manual-lib.com>

<http://www.404manual.com>

<http://www.luxmanual.com>

<http://aubethermostatmanual.com>

Golf course search by state

<http://golfingnear.com>

Email search by domain

<http://emailbydomain.com>

Auto manuals search

<http://auto.somanuals.com>

TV manuals search

<http://tv.somanuals.com>