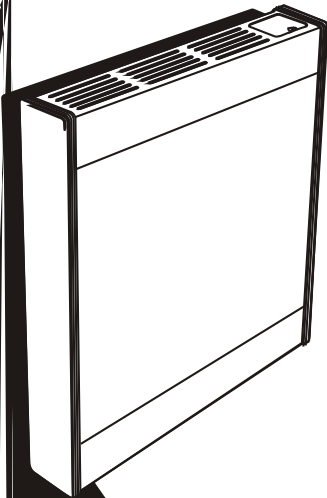


# INSTALLATION

## OWNER

**EMPIRE**<sup>®</sup>  
Heating Systems



**WARNING:** Read the information in this manual and the information on the back of these instructions. Do not follow these instructions exactly if it results in a fire or gas leak, causing injury or property damage.

Do not store or use gasoline or other flammable vapors and liquids in the vicinity of this or any other appliance.

### WHAT TO DO IF YOU SMELL GAS

- Do not try to light any appliance.
- Do not touch any electrical switch; do not use any phone in your building.
- Immediately call your gas supplier from a neighbor's phone. Follow the gas supplier's instructions.
- If you cannot reach your gas supplier, call the fire department.

Installation and service must be performed by a qualified installer, service agency or the gas supplier.



**EFFECTIVE DATE**  
**APRIL, 2004**

This appliance may be installed in an aftermarket, permanently located, manufactured home (USA only) or mobile home, where not prohibited by local codes.

This appliance is only for use with the type of gas indicated on the rating plate. This appliance is not convertible for use with other gases, unless a certified kit is used.

**WARNING:** If not installed, operated and maintained in accordance with the manufacturer's instructions, this product could expose you to substances in fuel or from fuel combustion which can cause death or serious illness.

# TABLE OF CONTENTS

| SECTION                                      | PAGE  |
|--|-------|
| Important Safety Information .....           | 3     |
| Safety Information for Users of LP Gas ..... | 4     |
| Introduction .....                           | 5     |
| Specifications .....                         | 5     |
| Gas Supply .....                             | 6     |
| Clearances .....                             | 7-8   |
| Installation Instructions .....              | 8-10  |
| Lighting Instructions .....                  | 11    |
| Pilot Flame Characteristics .....            | 12    |
| Main Burner Flame Characteristics .....      | 12    |
| Maintenance .....                            | 12-13 |
| How to Order Repair Parts .....              | 13    |
| Parts List .....                             | 14    |
| Parts View .....                             | 15    |
| Troubleshooting .....                        | 16    |

# IMPORTANT SAFETY INFORMATION

## THIS IS A HEATING APPLIANCE

DO NOT OPERATE THIS APPLIANCE WITHOUT FRONT PANEL INSTALLED.

- Due to high temperatures the appliance should be located out of traffic and away from furniture and draperies.
- Children and adults should be alerted to the hazards of high surface temperatures and should stay away to avoid burns or clothing ignition.
- Young children should be carefully supervised when they are in the same room as the appliance.
- Clothing or other flammable material should not be placed on or near the appliance.
- Any safety screen or guard removed for servicing an appliance must be replaced prior to operating the appliance.
- Keep burner and control compartment clean.
- Vent cap hot while furnace is in operation.
- Installation and repair should be done by a **QUALIFIED SERVICE PERSON**. The appliance should be inspected before use and at least annually by a qualified service person. More frequent cleaning may be required due to excessive lint from carpeting, bedding materials, etc. It is imperative that control compartments, burners and circulating air passageways of the appliance be kept clean.
- **DO NOT** put anything around the furnace that will obstruct the flow of combustion and ventilation air.
- **DO** keep the appliance area clear and free from combustible material, gasoline and other flammable vapors and liquids.
- **DO** examine venting system periodically and replace damaged parts.
- **DO** make a periodic visual check of pilot and burner. Clean and replace damaged parts.
- **CAUTION:** Pilot hole cover must be kept tightly closed during operation.
- **DO NOT** use this heater if any part has been under water. Immediately call a qualified service technician to inspect the heater and to replace any part of the control system and any gas control which has been under water.

# SAFETY INFORMATION FOR USERS OF LP-GAS

Propane (LP-Gas) is a flammable gas which can cause fires and explosions. In its natural state, propane is odorless and colorless. You may not know all the following safety precautions which can protect both you and your family from an accident. Read them carefully now, then review them point by point with the members of your household.

Someday when there may not be a minute to lose, everyone's safety will depend on knowing exactly what to do. If, after reading the following information, you feel you still need more information, please contact your gas supplier.

## LP-GAS WARNING ODOR

**If a gas leak happens, you should be able to smell the gas because of the odorant put in the LP-Gas. That's your signal to go into immediate action!**

- Do not operate electric switches, light matches, use your phone. Do not do anything that could ignite the gas.
- Get everyone out of the building or area. Do that IMMEDIATELY.
- Close all gas tank or cylinder supply valves.
- LP-Gas is heavier than air and may settle in low areas such as basements. When you have reason to suspect a gas leak, keep out of basements and other low areas. Stay out until firefighters declare them to be safe.
- Use your neighbor's phone and call a trained LP-Gas service person and the fire department. Even though you may not continue to smell gas, do not turn on the gas again. Do not re-enter the building or area.
- Finally, let the service man and firefighters check for escaped gas. Have them air out the area before you return. Properly trained LP-Gas service people should repair the leak, then check and relight the gas appliance for you.

## NO ODOR DETECTED - ODOR FADE

**Some people cannot smell well. Some people cannot smell the odor of the chemical put into the gas. You must find out if you can smell the odorant in propane.** Smoking can decrease your ability to smell. Being around an odor for a time can affect your sensitivity or ability to detect that odor. Sometimes other odors in the area mask the gas odor. People may not smell the gas odor or their minds are on something else. Thinking about smelling a gas odor can make it easier to smell.

**The odorant in LP-gas is colorless, and it can fade under some circumstances.** For example, if there is an underground leak, the movement of the gas through soil can filter the

odorant. Odorants in LP-Gas also are subject to oxidation. This fading can occur if there is rust inside the storage tank or in iron gas pipes.

The odorant in escaped gas can adsorb or absorb onto or into walls, masonry and other materials and fabrics in a room. That will take some of the odorant out of the gas, reducing its odor intensity.

LP-Gas may stratify in a closed area, and the odor intensity could vary at different levels. Since it is heavier than air, there may be more odor at lower levels. Always be sensitive to the slightest gas odor. If you detect any odor, treat it as a serious leak. Immediately go into action as instructed earlier.

## SOME POINTS TO REMEMBER

- **Learn to recognize the odor of LP-gas.** Your local LP-Gas Dealer can give you a "Scratch and Sniff" pamphlet. Use it to find out what the propane odor smells like. If you suspect that your LP-Gas has a weak or abnormal odor, call your LP-Gas Dealer.
- If you are not qualified, do not light pilot lights, perform service, or make adjustments to appliances on the LP-Gas system. If you are qualified, consciously think about the odor of LP-Gas prior to and while lighting pilot lights or performing service or making adjustments.
- Sometimes a basement or a closed-up house has a musty smell that can cover up the LP-Gas odor. Do not try to light pilot lights, perform service, or make adjustments in an area where the conditions are such that you may not detect the odor if there has been a leak of LP-Gas.
- Odor fade, due to oxidation by rust or adsorption on walls of new cylinders and tanks, is possible. Therefore, people should be particularly alert and careful when new tanks or cylinders are placed in service. Odor fade can occur in new tanks, or reinstalled old tanks, if they are filled and allowed to set too long before refilling. Cylinders and tanks which have been out of service for a time may develop internal rust which will cause odor fade. If such conditions are suspected to exist, a periodic sniff test of the gas is advisable. **If you have any question about the gas odor, call your LP-gas dealer. A periodic sniff test of the LP-gas is a good safety measure under any condition.**
- If, at any time, you do not smell the LP-Gas odorant and you think you should, assume you have a leak. Then take the same immediate action recommended above for the occasion when you do detect the odorized LP-Gas.
- If you experience a complete "gas out," (the container is under no vapor pressure), turn the tank valve off immediately. If the container valve is left on, the container may draw in some air through openings such as pilot light orifices. If this occurs, some new internal rusting could occur. If the valve is left open, then treat the container as a new tank. Always be sure your container is under vapor pressure by turning it off at the container before it goes completely empty or having it refilled before it is completely empty.

# INTRODUCTION

## Introduction

Always consult your local Building Department regarding regulations, codes or ordinances which apply to the installation of a direct vent wall furnace.

## Instructions to Installer

1. Installer must leave instruction manual with owner after installation.
2. Installer must have owner fill out and mail warranty card supplied with furnace.
3. Installer should show owner how to start and operate furnace and thermostat.

### Warning:

**Any change to this furnace or its control can be dangerous. This is a heating appliance and any panel, door or guard removed for servicing an appliance must be replaced prior to operating the appliance.**

## General Information

This furnace is design certified in accordance with American National Standard/CSA Standard Z21.86b and CSA 2.32b-2002 by the Canadian Standard Association, as a Gravity Direct Vent Wall Furnace to be installed on an outside wall according to these instructions.

**Any alteration of the original design, installed other than as shown in these instructions or use with a type of gas not shown on the rating plate is the responsibility of the person and company making the change.**

## Important

All correspondence should refer to complete Model No., Serial No. and type of gas.

**Notice:** During initial firing of this unit, its paint will bake out and smoke will occur. To prevent triggering of smoke alarms, ventilate the room in which the unit is installed.

## Installation in Residential Garages

Gas utilization equipment in residential garages shall be installed so that all burners and burner ignition devices are located not less than 18" (457 mm) above the floor.

Such equipment shall be located, or protected, so it is not subject to physical damage by a moving vehicle.

## Qualified Installing Agency

Installation and replacement of gas piping, gas utilization equipment or accessories and repair and servicing of equipment shall be performed only by a qualified agency. The term "qualified agency" means any individual, firm, corporation or company which either in person or through a representative is engaged in and is responsible for (a) the installation or replacement of gas piping or (b) the connection, installation, repair or servicing of equipment, who is experienced in such work, familiar with all precautions required and has complied with all the requirements of the authority having jurisdiction.

The installation must conform with local codes or, in the absence of local codes, with the National Fuel Gas Code ANSI Z223.1/NFPA 54\* Natural Gas and Propane Installation Code, CSA B149.1.

*\*Available from the American National Standards Institute, Inc., 11 West 42nd St., New York, NY 10036.*

## High Altitudes

For altitudes/elevations above 2,000 feet (609.9 m), input ratings should be reduced at the rate of 4 percent for each 1,000 (305m) feet above sea level. Canadian High Altitudes for locations having an elevation above mean sea level between 2,000 feet (609.9 m) and 4,500 feet (1370m), use orifices as indicated in the following table:

| MOD    | 0-2000feet (0-610 m) |                 | 2000-4500 feet (610-1370 m) |                 |
|--------|----------------------|-----------------|-----------------------------|-----------------|
|        | NG                   | LPG             | NG                          | LPG             |
| MV 120 | 0.053"(1.35 mm)      | 0.035"(0.88 mm) | 0.050"(1.27 mm)             | 0.033"(0.83 mm) |
| MV 130 | 0.070"(1.77 mm)      | 0.043"(1.10 mm) | 0.066"(1.67 mm)             | 0.041"(1.03 mm) |
| MV 145 | 0.077"(1.95 mm)      | 0.053"(1.35 mm) | 0.072"(1.83 mm)             | 0.050"(1.27 mm) |

# SPECIFICATIONS

| Model                              | MV 145          | MV 130          | MV 120          |
|------------------------------------|-----------------|-----------------|-----------------|
| Input BTU/HR (KW)                  | 20,000 (5.81)   | 14,000 (4.07)   | 8,400 (2.44)    |
| Min. Input BTU/HR (KW)             | 6,900 (2.00)    | 6,000 (1.74)    | 3,800 (1.10)    |
| Efficiency Rating* (%)             | 72%             | 72%             | 72%             |
| Height (inches / mm)               | 24.4 / 620      | 24.4 / 620      | 24.4 / 620      |
| Width (inches / mm)                | 27.3 / 688      | 27.3 / 688      | 21.2 / 538      |
| Depth (inches / mm)                | 6.75 / 170      | 6.75 / 170      | 6.75 / 170      |
| Gas Inlet                          | 3/8" NPT        | 3/8" NPT        | 3/8" NPT        |
| Input Vent Diameter (inches / mm)  | 6 1/4" (160 mm) | 4 3/4" (121 mm) | 3 9/16" (90 mm) |
| Output Vent Diameter (inches / mm) | 3 1/2" (89 mm)  | 2 5/8" (67 mm)  | 2 1/8" (54 mm)  |

\*The efficiency rating of the appliance is a product thermal efficiency determined under continuous operating conditions and was determined independently of any installed system.

# GAS SUPPLY

## Locating Gas Supply

The gas line can enter the unit either through the floor or outside wall. The gas line opening should be made at this time. Location of the opening will be determined by the position of floor joists and the valve and union used for servicing.

### Recommended Gas Pipe Diameter

| Pipe Length<br>(Feet) | Schedule 40 Pipe<br>Inside Diameter |        | Tubing, Type L<br>Outside Diameter |        |
|-----------------------|-------------------------------------|--------|------------------------------------|--------|
|                       | Nat.                                | L.P.   | Nat.                               | L.P.   |
| 0 - 10                | 1/2"                                | 3/8"   | 1/2"                               | 3/8"   |
|                       | 1.3 cm                              | 1.0 cm | 1.3 cm                             | 1.0 cm |
| 10 - 40               | 1/2"                                | 1/2"   | 5/8"                               | 1/2"   |
|                       | 1.3 cm                              | 1.3 cm | 1.6 cm                             | 1.3 cm |
| 40 - 100              | 1/2"                                | 1/2"   | 3/4"                               | 1/2"   |
|                       | 1.3 cm                              | 1.3 cm | 1.9 cm                             | 1.3 cm |
| 100 - 150             | 3/4"                                | 1/2"   | 7/8"                               | 3/4"   |
|                       | 1.9 cm                              | 1.3 cm | 2.2 cm                             | 1.9 cm |

**Note:** Never use plastic pipe. Check to confirm whether your local codes allow copper tubing or galvanized.

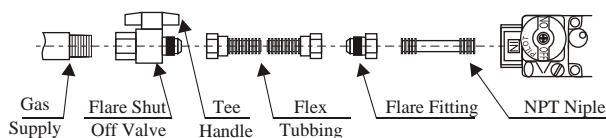
**Note:** Since some municipalities have additional local codes, it is always best to consult your local authority and installation code.

The use of the following gas connectors is recommended:

- ANS Z21.24 Appliance Connectors of Corrugated Metal Tubing and Fittings
- ANS Z21.45 Assembled Flexible Appliance Connectors of Other Than All-Metal Construction

The above connectors may be used if acceptable by the authority having jurisdiction. The state of Massachusetts requires that a flexible appliance connector cannot exceed three feet in length.

### FLEXIBLE GAS LINE CONNECTION



### RIGID GAS LINE CONNECTION

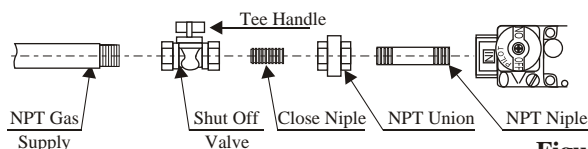


Figure 1

Consult the current National Fuel Gas Code, ANSI Z223.1 CAN/CGA-B149 (.1 or .2) installation code.

## Installing a New Main Gas Cock

Each appliance should have its own manual gas cock. In the state of Massachusetts the gas cock must be a T handle type. A manual main gas cock should be located in the vicinity of the unit. Where none exists, or where its size or location is not adequate, contact your local authorized installer for installation or relocation.

Compounds used on threaded joints of gas piping shall be resistant to the action of liquefied petroleum gases. The gas lines must be checked for leaks by the installer. This should be done with a soap solution watching for bubbles on all exposed connections, and if unexposed, a pressure test should be made.

**Never use an exposed flame to check for leaks. Appliance must be disconnected from piping at inlet of control valve and pipe capped or plugged for pressure test. Never pressure test with the appliance connected; control valve will sustain damage!**

A gas valve and ground joint union should be installed in the gas line upstream of the gas control to aid in servicing. It is required by the National Fuel Gas Code that a drip line be installed near the gas inlet. This should consist of a vertical length of pipe tee connected into the gas line that is capped on the bottom in which condensation and foreign particles may collect.

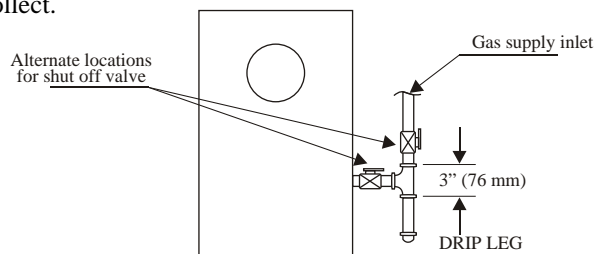


Figure 2

## Pressure Testing of the Gas Supply System

1. To check the inlet pressure to the gas valve, a 1/8" (3 mm) N.P.T. plugged tapping, accessible for test gauge connection, must be placed immediately upstream of the gas supply connection to the appliance.
2. The appliance and its individual shutoff valve must be disconnected from the gas supply piping system during any pressure testing of that system at test pressures in excess of 1/2 psig (3.5 kPa).
3. The appliance must be isolated from the gas supply piping system by closing its individual manual shutoff valve during any pressure testing of the gas supply piping system at test pressures equal to or less than 1/2 psig (3.5 kPa).

**Attention!** If one of the above procedures results in pressures in excess of 1/2 psig (14" w.c.) (3.5 kPa) on the appliance gas valve, it will result in a hazardous condition.

## Checking Manifold Pressure

Both Propane and Natural gas valves have a built-in pressure regulator in the gas valve. Natural gas models will have a manifold pressure of approximately 4.0" w.c.(0.996 kPa) for MV120 and 130 or 6.0" w.c.(1.494 kPa) for MV145 at the valve outlet with the inlet pressure to the valve from a minimum of 5.0" w.c.(1.245 kPa) for MV120 and 130 or 7.0" w.c.(1.742 kPa) for MV145 for the purpose of input adjustment to a maximum of 10.5" w.c.(2.61kPa). Propane gas models will have a manifold pressure approximately 10.0" w.c.(2.49kPa) at the valve outlet with the inlet pressure to the valve from a minimum of 11.0" w.c.(2.739kPa) for the purpose of input adjustment to a maximum of 13.0" w.c.(3.237kPa). A 1/8" (3mm) N.P.T. plugged tapping, accessible for test gauge connection, is located on the outlet side of the gas control.

# CLEARANCES

1. In selecting a location for installation, it is necessary to provide adequate accessibility clearances for servicing and proper installation. In order to that, at least 6" (152 mm) should be left clear from the wall on right side of the cabinet and 4" (101 mm) on left side.
2. Unit is supported by a wall support plate secured to the wall.
3. The minimum clearances from casing to combustible construction is 36" (914 mm) on top, 4" (102 mm) on each side and 4" (102 mm) from the floor or from the top surface of carpeting, tile or other floor covering and 0" (0 mm) to rear wall.
4. The minimum distance from the center of the vent cap to the nearest outside corner or obstruction is 16" (407 mm).
5. The MV 120, MV 130 and MV 145 minimum wall depth is 4 1/2" (114 mm) and the maximum is 12" (305 mm). The

use of tubes not supplied by the manufacturer results in unsatisfactory performance.

The vent cap of a direct vent appliance, with an input of 10,000 Btu/h (3 kW/h) or less shall be located at least 6" (150 mm) from any opening through which flue gases could enter a building; for appliances up to 50,000 Btu/h (14.6 KW/h) this distance shall be at least 9" (229 mm). The bottom of the vent cap and the air intake shall be located at least 12" (305mm) above grade.

**WARNING: The nearest point of the vent cap should be a minimum horizontal distant of six (6) feet (1.83m) from any pressure regulator. In case of regulator malfunction, the six (6) feet (1.83m) distance will reduce the chance of gas entering the vent cap.**

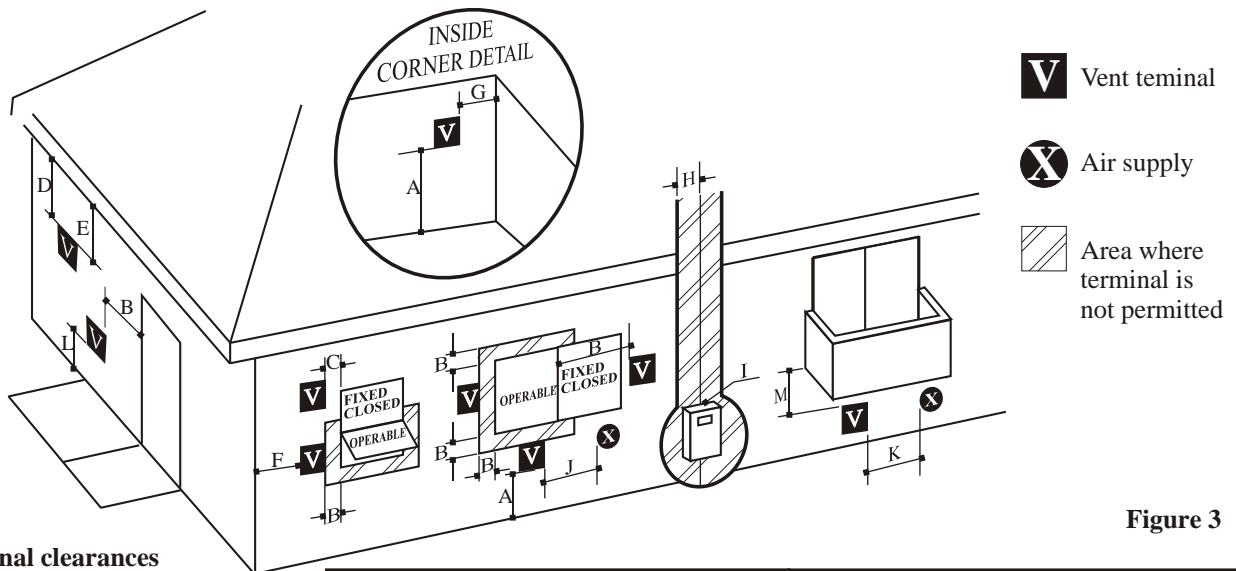


Figure 3

Vent terminal clearances

|   | CANADIAN INSTALLATIONS <sup>1</sup>   | US INSTALLATIONS <sup>2</sup>   |
|---|---|---|
| A= clearance above grade, veranda, porch, deck or balcony   | 12" (30 cm)   | 12" (30 cm)   |
| B= clearance to window or door that may be opened   | 6" (15 cm) for appliances ≤ 10,000 Btu/h (3 kW), 12" (30 cm) for appliances > 10,000 Btu/h (3 kW) and ≤ 100,000 Btu/h (30 kW) | 6" (15 cm) for appliances ≤ 10,000 Btu/h (3 kW), 9" (23 cm) for appliances > 10,000 Btu/h (3 kW) and ≤ 50,000 Btu/h (15 kW) |
| C= clearance to permanently closed window   | clearance in accordance with local installation codes and the requirements of the gas supplier                                | clearance in accordance with local installation codes and the requirements of the gas supplier                              |
| D= vertical clearance to ventilated soffit located above the terminal within a horizontal distance of 2 feet (61 cm) from the center line of the terminal |   |   |
| E= clearance to unventilated soffit   |   |   |
| F= clearance to outside corner  |   |   |
| G= clearance to inside corner   |   |   |
| H= clearance to each side of center line extended above meter/regulator assembly  | 3 feet (91 cm) within a height 15 feet (4.5 m) above meter/regulator assembly   | clearance in accordance with local installation codes and the requirements of the gas supplier                              |
| I= clearance to service regulator vent outlet   | 3 feet (91 cm)  |   |

# INSTALLATION INSTRUCTIONS

## Location of Furnace

The heater must be on an outside wall in the room to be heated. When choosing a location for the furnace please remember that the vent cap supplied with the unit must be installed without alteration, with the exception of cutting the vent tubes and insulation to length, as directed in these instructions. The outside vent cap needs to be flush to the wall, so select a relatively smooth exterior surface.

Since this appliance is a direct vent (balanced flue) design, all combustion and ventilation air is drawn from outside of the structure. No special considerations for combustion are necessary inside the structure. Once you have determined that the exterior vent will meet the clearances above, you must locate the heater on the inside wall of the room to be heated. Begin the installation by locating the wall studs on the inside wall of the structure. Find the centerlines between the studs where you want the unit to be mounted.

## Locating Wall Opening

A full scale template is furnished with the unit which illustrates the vent and gas supply openings and mounting holes in their correct locations on the wall.

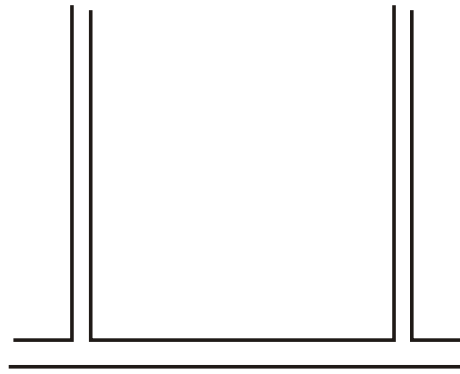
**Note:** the figure 4 gives the required dimensions for mounting the unit, in the event that the template is unusable or lost.

Place the template on the wall so that the vent opening will be located between the studs and, in the case of the MV 130, for example, the bracket mounting holes are over the studs (16" / 406 mm, on center). **DO NOT CUT THE WALL STUDS IN ORDER TO INSTALL THE UNIT.** Place the bottom edge of the template directly on the floor or the floor covering such as carpeting or tile.

## Installing the Unit

Make sure that the location you have selected for the furnace complies the requirements above before its installation.

This gas appliance must not be connected to a chimney flue



serving a separate solid-fuel burning appliance.

## Cutting the Vent Hole

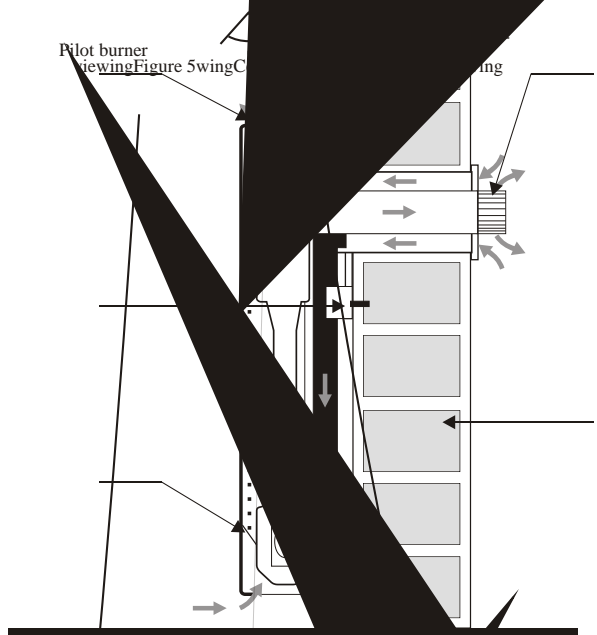
Begin the installation by locating the wall studs on the side wall of the structure. Find the centerlines between the studs where you want the unit to be mounted. Refer to the following illustration (Figure 5) for a side view of how the finished installation should look. This appliance is certified for installation on walls which are a maximum of 12" (305 mm) thick. The vent assembly supplied with the unit will accommodate walls up to that thickness.

With the template flat and level against the inside wall, mark the location for the opening for the vent assembly as well as the location of the two holes for mounting the wall support plate and the one for the gas supply, if the supply is to be through the wall. If desired, (and in accordance with all applicable building and plumbing codes) the gas piping can be brought into the room through the floor underneath the unit.

Remove the template from the wall and with a long drill, make a hole in the center of the opening for ventilation all the way through inside and outside wall. Trace the wall opening in



the indicated diameter will be about 1 to 2" (25 to 50 mm) for this unit model, larger in diameter for other models.



Make sure the two holes (in the masonry or outside wall) are concentric to one another and in line with the opening in the outside wall is higher than the opening in the inside wall to prevent rain or from lawn sprinklers from dripping back into the heater, check with a carpenter's level and square to make sure the holes are level and in line with one another.

If the vent cap is to be installed on shingle siding, it appears that a projection of 1/2" (12.7 mm) or more in section could shield the vent inlet, the vent cap should be supported away from the wall as shown in the drawing.

Support box

When siding is installed, the vent assembly must be installed on the siding. The vent cap must be installed on its side and be supported away from the wall, connecting the inner pipe to the vent cap as shown in the drawing.

**Marking and cutting the pipes to the proper length**

From the outside of the building, push the vent assembly through the hole until the vent cap flange is against the outer

wall and the vent cap to the wall using the 4 screws (provided with the unit) in the holes prepared in the vent cap plate.

Making a mark at the vent pipe where it comes through the wall, **only marks the point where you will cut the pipe. It is not where you will cut the wall.**

Remove the vent cap. Measure 7/16" (11 mm) from the end of the pipe and make a mark towards the open end of the pipe.

Mark several spots of insulation at this 7/16" (11 mm) distance and wrap paper around the pipe at this time to assure proper fit.

Use a utility knife to cut the insulation and its lining and a hacksaw or tin snips to cut the pipe at the cut line on the edge of the paper.

Remove the insulation, straighten the pipe, being careful not to bend or deform the pipe.

**It is very important to perform a straight cut for the pipe.**

Measure 20 and 25 units from the end of the pipe and proceed to cut the pipe again through the wall, 7/16" (11 mm) from the end of the tube. (See drawing.)

Remove the 5 units of insulation and cut the lower edge of the insulation (on the complete circumference) with a utility knife. Cut a straight line through the wall mounting as shown in the drawing:

**Figure 7**

50.8 mm) from the cut end of the larger pipe and 2" (50.8 mm) from the cut end of the inner pipe. Be certain that the inner pipe is marked so that it will be 2" (50.8 mm) from the cut end of the larger pipe when cut. The inner pipe needs to be cut with a hacksaw.

**After removing the vent assembly from the wall in the case of masonry, cut the tubes.**

**Installing the vent assembly and wall support plate**

If the case outside wall is of tiled wood construction, rough or unlevelled, the use of silicone sealing compound to avoid



# LIGHTING INSTRUCTIONS

## FOR YOUR SAFETY READ BEFORE LIGHTING

**WARNING: If you do not follow these instructions exactly, a fire or explosion may result causing property damage, personal injury or loss of life.**

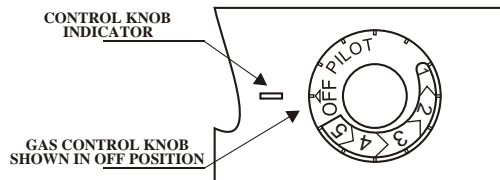
- A. This appliance has a pilot which must be lighted by hand. When lighting the pilot, follow these instructions exactly.
- B. BEFORE LIGHTING smell all around the appliance area for gas. Be sure to smell next to the floor because some gas is heavier than air and will settle on the floor.

### WHAT TO DO IF YOU SMELL GAS

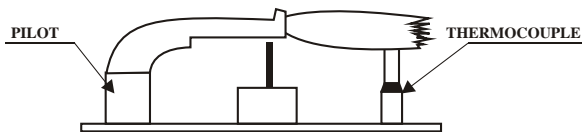
- Do not try to light any appliance.
  - Do not touch any electrical switch; do not use any phone in your building.
  - Immediately call your gas supplier from a neighbor's phone. Follow the gas supplier's instructions.
  - If you cannot reach your gas supplier, call the fire department.
- C. Use only your hand to push in or turn the gas control knob. Never use tools. If the knob will not push in or turn by hand, don't try to repair it; call a qualified service technician. Force or attempted repair may result in a fire or explosion.
- D. Do not use this appliance if any part has been under water. Immediately call a qualified service technician to inspect the appliance and to replace any part of the control system and any gas control which has been under water.

## LIGHTING INSTRUCTIONS

1. STOP! Read the safety information above.
2. Set the thermostat to the lowest setting.
3. Open the control access panel on the top right side of the unit.
4. Turn the gas control knob clockwise to the OFF position.



5. Wait five (5) minutes to clear any gas. If you then smell gas, STOP! Follow "B" in the safety information above in this label. If you don't smell gas, go to the next step.
6. Locate the red pushbutton Piezo igniter directly behind the gas control knob.



7. Turn the gas control knob counter clockwise to the PILOT position. Depress the gas control knob and push in the Piezo igniter several times, until the pilot is lit. The pilot flame can be observed by looking down the inside of the heater jacket. A small reflector on the right hand side near

the bottom should allow you to see if the pilot is lit. Removal of the outer painted jacket of the heater will allow direct visual observation of the pilot and burner.

8. Continue to depress the gas control knob for at least 30 seconds or until the pilot remains lit. When you release the gas control knob, it should pop back up. Pilot should remain lit.

- If the knob does not pop up when released, stop and immediately call your service technician or gas supplier.
- If the pilot will not stay lit after several tries, turn the gas control knob to the OFF position and call your service technician or gas supplier.

9. Attention! Gas control knob has an INTERLOCK latching device. When the pilot is initially lit and the safety magnet is energized (pilot stays ON) the interlock latching device becomes operative. If the gas control is turned to the OFF position or gas flow to the appliance is shut off, the pilot cannot be relighted until the safety magnet is de-energized (approximately 60 seconds). There will be an audible "click" when the safety magnet in the gas control is de-energized. Pilot can now be relighted. Repeat steps 4 through 8.

10. Replace the front painted cover (if removed).
11. Turn the gas knob counter clockwise to the desired temperature setting.
12. Close the control access door.

## TO TURN OFF GAS TO APPLIANCE

1. Set the thermostat to lowest setting.
2. Open the control access panel on the top right side of the unit.
3. Turn the gas knob clockwise to the OFF position. Do not force.

4. Close the control access panel.

**WARNING:** After turning off wait 5 minutes before trying to relight.

# PILOT FLAME CHARACTERISTICS

The correct flame will be almost horizontal, blue and will extend past the thermocouple 1/4" (6 mm). The flame will surround the thermocouple just below the tip.

On propane (LP-gas) slight yellow might occur where the pilot flame and burner flame meet.

Natural gas pilots require adjusting when the inlet pressure is above 5" w.c. (1.25kPa). Turn adjustment screw clockwise to reduce flame.

Propane (LP-gas) will not require adjusting.

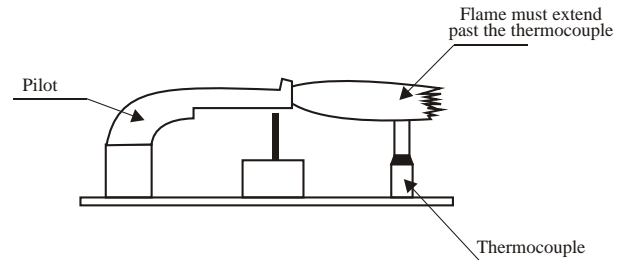


Figure 11

# MAIN BURNER FLAME CHARACTERISTICS

There will be a short blue inner flame with a much larger lighter blue secondary flame. The burner flame may have a yellow tip when hot. See the burner drawing showing the approximate heights of each part of the flame. Dust in the combustion air will produce an orange or red flame. Do not mistake the orange or red flame for an improper yellow flame. After use, cleaning may be required for the proper flame.

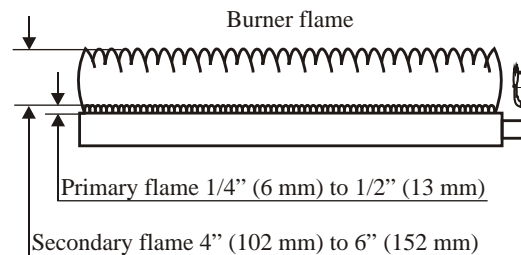


Figure 12

# MAINTENANCE

The appliance should be inspected and cleaned before using each year by a qualified service person.

**Warning:** the following instructions are designed to direct a qualified technician through the proper periodic maintenance and repair which may be required throughout the expected life of this unit. **NO attempt should be made by the homeowner to perform these functions.**

1. Remove the cover from the unit by removing the two nuts at the bottom of the unit.
2. The gas supply should be turned OFF at the shut-off valve in the supply piping leading to the appliance (if installed), or at the gas meter or propane/ LP tank. **The gas to the unit should be disconnected so the unit can be removed from the wall.**
3. Remove the two screws which hold the unit to the wall support plate and lift and pull the unit away from the wall.
4. Carefully examine the interior of the vent pipes, both large and small diameter. If you notice any blockage or obstruction, clean the pipes.
5. Look inside the openings of the rear of the unit and check for any foreign materials. Remove any objects which may block or obstruct the free flow of combustion and ventilation air. You will only be able to see a portion of the interior of the unit from this angle.
6. The main burner and pilot burner can be removed from the unit for cleaning by first loosening the compression fittings

that supply gas to both the main burner and pilot. Note: before removing either the pilot assembly or main burner assembly be sure to have replacement gaskets on hand. See Figure 13. After unscrewing the gas connection to the burner and removing the compression nuts, unscrew the thermocouple from the base of the pilot and remove it from the pilot assembly. Remove the four screws which hold the main burner/pilot plate in place, and withdraw the burner/pilot from the unit. Check the burner/pilot for dirt, lint, or a black powdery carbon deposit. If any is noted, brush it off completely using a soft bristled brush, or blow it

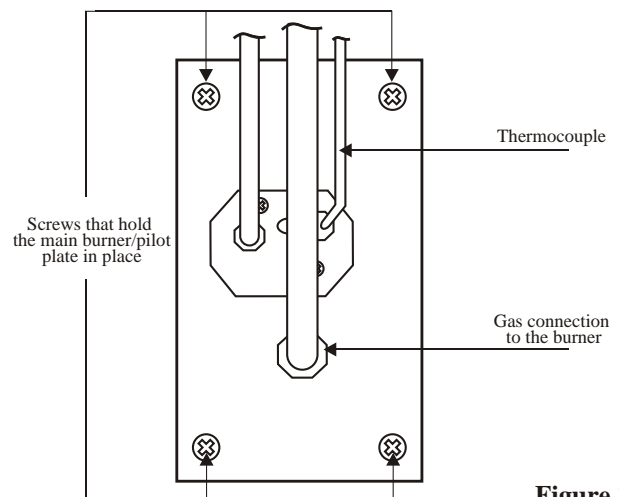


Figure 13

# MAINTENANCE (cont.)

- out. Do not attempt to pass anything through the pilot orifice. Next, check the main burner for dirt, lint or carbon deposits. Again, if any is noted, clean with a soft brush.
- Inspect the interior of the combustion chamber for dirt, lint or carbon deposits. If any are found, loosen them with a long handled brush and remove the residue from the heater with a vacuum cleaner.
  - In preparation for replacing the main burner/pilot, check the condition of the gasket on the mounting plate. If the gasket appears damaged or worn, replace **ONLY** with a gasket available from Empire Comfort Systems Inc., whose address is at the bottom of this page. Install the assembly in the heater and re-secure the assembly to the heater chassis with the four screws removed in step 6 above. **Note: verify that the left side of the main burner is mounted on its support bracket. The burner should be level.**
  - Reconnect the main burner and pilot gas lines which were disconnected in step 6 above. Reinstall the thermocouple in the pilot bracket, inserting it fully into chamber before tightening.
  - Replace the heater on the wall support bracket, taking extreme care to ensure that the small diameter vent pipe is firmly engaged with the vent outlet at the rear of the heater. The large diameter vent pipe will slide over the appropriate opening. Resecure the unit to the bracket with the two screws removed earlier.
  - Reconnect the gas supply piping and **REPEAT THE LEAK TEST PROCEDURE**. In addition, it will be necessary for you to check the gas connections inside the unit for leaks. After testing the gas connections to the unit, place the pilot burner into operation by following the instructions found in this manual or on the hanging tag behind the unit. Check all joints to the pilot gas line with a soapy water solution. Bubbles on any of the joints indicated a leak is present and must be repaired. Turn **OFF** the gas to the unit when performing any repairs to the gas piping system. After the pilot lines are checked, turn the main burner **ON** and again check all joints in the piping system for leaks with soapy water. Repair any joints which indicate a leak is present.
  - While the main burner is **ON**, check the pilot and burner flames to see that they are burning a clean blue color. See Figures 11 and 12 for an approximation of the correct flame pattern. If your unit is not burning cleanly, or if you are not sure, turn the unit **OFF** and contact the gas supplier or call Empire Comfort Systems Inc..

Before completing your periodic maintenance checkout, ensure that the appliance area is clear and free from combustible materials, gasoline, and other flammable vapors or liquids. Also check to see that the flow of combustion and ventilation air around the vent cap on the outside of the structure is not obstructed.

**Note: verify proper operation after servicing.**

# HOW TO ORDER REPAIR PARTS

Parts can be ordered only through your **service person or dealer**. For best results, the service person or dealer should order parts through the distributor. Parts can be shipped directly to the **service person/dealer**.

All parts listed in the Parts List have a Part Number. When ordering parts, first obtain the Model Number from the name plate on your equipment. Then determine the Part Number (not the Index Number) and the Description of each part from the following appropriate illustration and list. Be sure to give all this information . . .

Furnace Model Number \_\_\_\_\_ Part Description \_\_\_\_\_

Furnace Serial Number \_\_\_\_\_ Part Number \_\_\_\_\_

Type of Gas (Propane or Natural) \_\_\_\_\_

Do not order bolts, screws, washers or nuts. They are standard hardware items and can be purchased at any local hardware store.

Shipments contingent upon strikes, fires and all causes beyond our control.

---

**Empire Comfort Systems, Inc. Nine Eighteen Freeburg Ave. Belleville, IL 62222-0529**

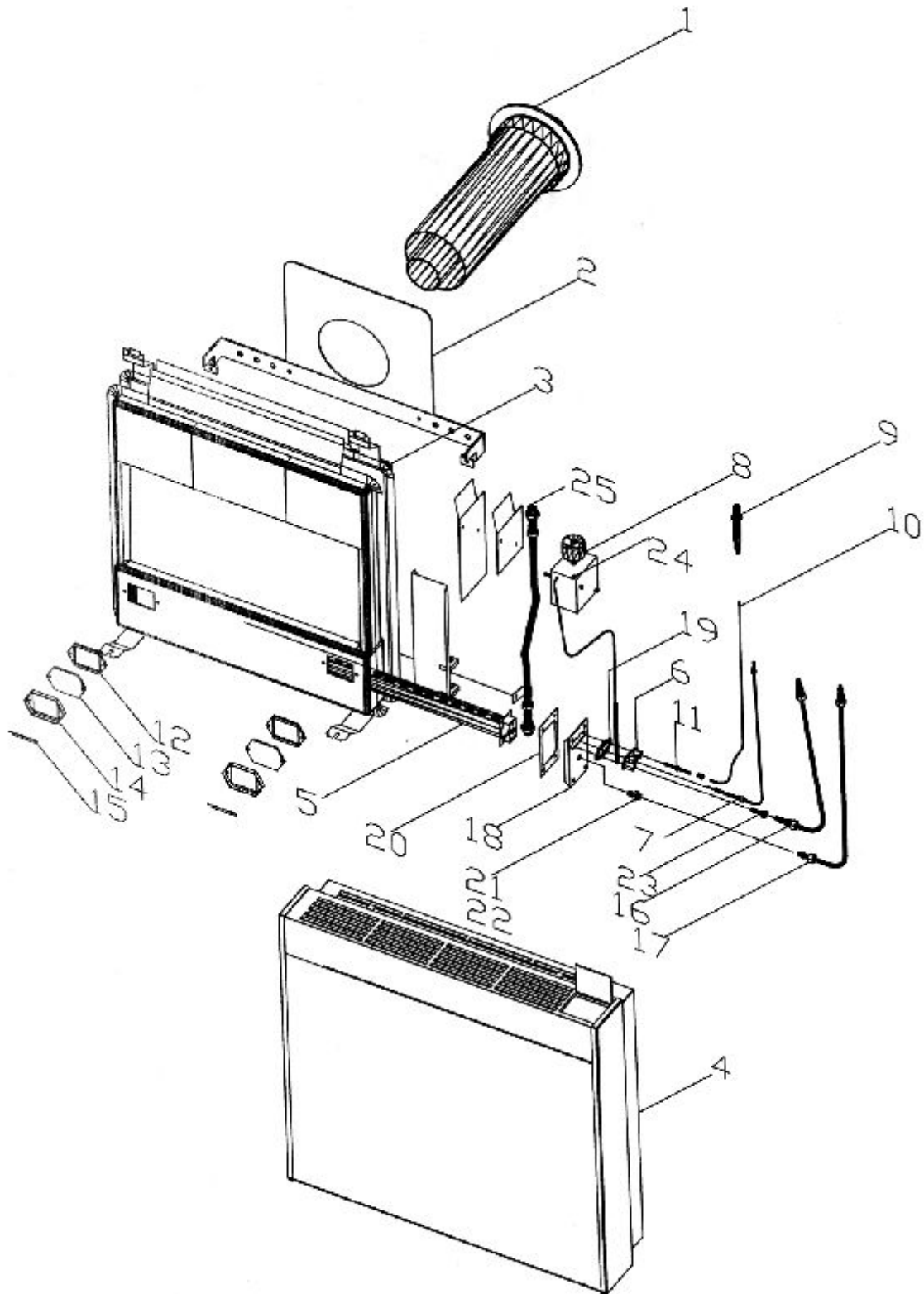
# PARTS LIST

**PLEASE NOTE:** When ordering parts, it is very important that part number and description of part coincide

**USE ONLY MANUFACTURER'S REPLACEMENT PARTS. USE OF ANY OTHER PARTS COULD CAUSE INJURY OR DEATH.**

| No. | PART NAME   | PART N° / MV 120 | PART N° / MV 130 | PART N° / MV 145 |
|-----|---|------------------|------------------|------------------|
| 1a  | Vent Assy. (6" to 12" / 152.4 to 304.8 mm)                      | SD43019400       | SD43018500       | SD43018400       |
| 1b  | Vent Assy. (12" to 18" / 305 to 460 mm)                         | SD430194B0       | SD430185B0       | SD430184B0       |
| 2   | Wall Support Plate  | SD44221800       | SD442202B0       | SD44326100       |
| 3   | Combustion Chamber  | SK00000047       | SK00000048       | SK00000049       |
| 4   | Cover   | SK00000050       | SK00000051       | SK00000052       |
| 5   | Main Burner Assembly  | SD44108300       | SD44107500       | SD43107900       |
| 6   | Pilot Burner  | SD44105800       | SD44105800       | SD44105800       |
| 7   | Thermocouple  | SD44305500       | SD44305500       | SD44305500       |
| 8a  | Gas Control Nat. Gas  | SD44177000       | SD44177000       | SD44177000       |
| 8b  | Gas Control LP Gas  | SD44176900       | SD44176900       | SD44176900       |
| 9   | Piezo Igniter   | SD44175800       | SD44175800       | SD44175800       |
| 10  | Piezo Wire  | SD44120800       | SD44120800       | SD44120800       |
| 11  | Pilot Igniter Electrode   | SA00000263       | SA00000263       | SA00000263       |
| 12  | Gasket for Viewing Window                                       | SD44107002       | SD44107002       | SD44107002       |
| 13  | Mica for Viewing Window   | SD44107100       | SD44107100       | SD44107100       |
| 14  | Frame for Viewing Window  | SD44106900       | SD44106900       | SD44106900       |
| 15  | Mirror for Viewing Window                                       | SD44106801       | SD44106801       | SD44106801       |
| 16  | Pilot Tubing  | SK00000053       | SK00000053       | SK00000053       |
| 17  | Main Burner Tubing  | SK00000054       | SK00000054       | SK00000054       |
| 18  | Burner Support Plate  | SD44106100       | SD44106100       | SD44106100       |
| 19  | Pilot Burner Gasket   | SD44158001       | SD44158001       | SD44158001       |
| 20  | Main Burner Gasket  | SD44158102       | SD44158102       | SD44158102       |
| 21a | Burner Orifice Natural  | SD44125400       | SD44125500       | SD443215A0       |
| 21b | Burner Orifice LP Gas   | SD44125700       | SD44125200       | SD443215B0       |
| 22a | Burner Orifices for 2000-4500 ft (610-1370 m) altitude Nat. Gas | SD443332A0       | SD443332C0       | SD443215C0       |
| 22b | Burner Orifices for 2000-4500 ft (610-1370 m) altitude LP. Gas  | SD443332B0       | SD443332D0       | SD443215D0       |
| 23a | Pilot Burner Orifice Natural                                    | SD44111300       | SD44111300       | SD44111300       |
| 23b | Pilot Burner Orifice LP Gas                                     | SD44132400       | SD44132400       | SD44132400       |
| 24a | Minimum Rate Screw Nat.   | SD44131900       | SD44152900       | SD44152900       |
| 24b | Minimum Rate Screw LPG  | SD44131600       | SD44153000       | SD44153000       |
| 25  | Gas Valve Connection Kit  | SK00000055       | SK00000055       | SK00000055       |

# PARTS VIEW



# TROUBLESHOOTING

## SYMPTON 1: PILOT WILL NOT LIGHT

**A. Gas is not turned on, or air is trapped in the gas line:** the air trapped in the gas supply may be bled easily at the minimum rate screw. This is a brass screw located on top of the gas control situated at 1 o'clock when looking down the control knob. Unscrew the plug completely and pry out with a small screw driver. Turn the heater control knob to "pilot position" and press down until you smell the gas escaping at that screw hole. NOTE: ALL OPEN FLAMES IN AREA NEED TO BE EXTINGUISHED. After the odor is noted, replace brass screw and tighten snugly. Wait 5 minutes for gas to dissipate. Relight heater.

**B. Gas control, is not set to proper position:** in MV 120 and MV 130 units, it may be difficult to see the indicator for the pilot/gas position. Note that it is a marking, found on the lower side of the gas control, situated at 6 o'clock when looking down the control.

In MV 145 units, there's a slot marking in the front of the ring around the dial marking the reference position.

**C. No spark from piezo:** look through window for spark when lighting the pilot. If there is no spark, trace the insulated sparking wire to the electrode and be certain all connections are tight.

**D. Clogged pilot injector:** clean the pilot orifice. Natural gas orifices are large enough that you can usually clean them by blowing through them. The LP orifice is so small that the best is to replace it. Never try to enlarge the hole, or use a sharp hard object for cleaning.

**E. Gas regulator jammed due to high pressure:** reset the regulator.

**F. Broken or cracked piezo electrode or broken electrode wire:** replace it.

## SYMPTON 2: PILOT WILL NOT STAY LIT WHEN KNOB IS RELEASED

**A. Gas control knob not held down long enough:** allow at least 30 seconds. During initial lighting, or after long periods of inactivity, the presence of air in the gas supply pipe may ask for a longer hold.

**B. Pilot flame too weak:** a weak pilot indicates dirt or an insufficient gas supply. However, the pilot may be adjusted by turning the small brass screw on the left hand front top of the gas control top plate. Backing the screw out counterclockwise increases the pilot flame. The pilot flame should contact the thermocouple tip, but not excessively long. (See Lighting Instructions).

**C. Thermocouple not functioning:** the thermocouple is a standard 24 millivolt probe. Check its effectiveness by removing it from the heater and attach a probe (alligator clip) to the magnet contact bulb on the gas control end of the thermocouple. Place the other probe (alligator clip) to the cooper shield near the heat tip. Holding the tip in a flame

source, such as a candle flame, a good thermocouple should read 23-30 millivolts. If this is not the case, replace the thermocouple.

## SYMPTON 3: MAIN BURNER WON'T LIGHT

**A. Pilot is not lighted.**

**B. Thermostat turned too low or Gas control knob still on "pilot" position.**

**C. Gas supply is inadequate:** have gas person confirm gas pressures.

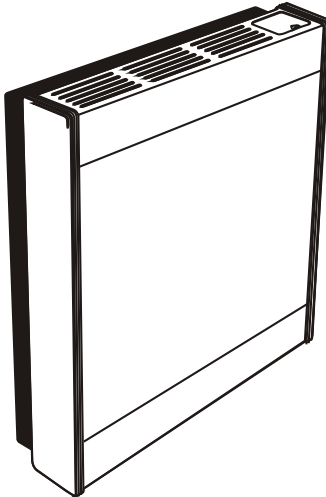
**D. Defective gas control valve:** replace it. (This is a very unlikely occurrence).

## SYMPTON 4: MAIN BURNER WON'T STAY LIT

**A. Temperature dial turned too low.**



# INSTRUCTIONS POUR L'INSTALLATION ET MANUEL DU PROPRIÉTAIRE



**AVERTISSEMENT:** Assurez-vous de bien suivre les instructions données dans ce manuel pour réduire au minimum le risque d'incendie ou d'explosion ou pour éviter tout dommage matériel, toute blessure ou la mort.

- Ne pas entreposer ou employer d'essence ni d'autres vapeurs ou liquides inflammables à proximité de cet appareil ou de tout autre appareil.
- QUE FAIRE SI VOUS SENTEZ UNE ODEUR DE GAZ:
  - Ne pas tenter d'allumer d'appareils.
  - Ne touchez à aucun interrupteur. Ne pas vous servir des téléphones dans le bâtiment où vous vous trouvez.
  - Appelez immédiatement votre fournisseur de gaz depuis un voisin. Suivez les instructions du fournisseur.
  - Si vous ne pouvez rejoindre le fournisseur de gaz, appelez le service des incendies.
- L'installation et l'entretien doivent être assurés par un installateur ou un service d'entretien qualifié ou par le fournisseur de gaz.

## RADIATEUR MURAL À ÉVACUATION DIRECTE PAR GRAVITÉ

**MODÈLES**  
MV 120  
MV 130  
MV 145



**DATE D'ENTRÉE  
EN VIGUEUR**  
AVRIL, 2004

Cet appareil peut être installé dans une maison préfabriquée (É.U. seulement) ou mobile déjà installée à demeure si les règlements locaux le permettent. Cet appareil doit être utilisé uniquement avec le type de gaz indiqué sur la plaque signalétique. Cet appareil ne doit pas être utilisé avec d'autres gaz sauf si une trousse de conversion certifiée est fournie.

**AVERTISSEMENT:** Si l'installation, l'usage et l'entretien de ce produit ne sont pas faits selon les instructions du fabricant, ce produit peut vous exposer à des matières contenues dans le carburant ou provenant de la combustion du carburant lesquelles peuvent causer la mort ou de sérieuses maladies.

# TABLE DES MATIÈRES

| SECTION  | PAGE  |
|--|-------|
| Importante Information de Sécurité .....                       | 3     |
| Information de Sécurité pour les Utilisateurs de Propane ..... | 4     |
| Introduction .....   | 5     |
| Spécifications .....   | 5     |
| Alimentation en Gaz .....                                      | 6     |
| Espaces Libres .....   | 7-8   |
| Instructions pour L'Installations .....                        | 8-10  |
| Instructions d'Allumage .....                                  | 11    |
| Aspect Convenable de la Flamme de la Veilleuse .....           | 12    |
| Aspect Convenable de la Flamme du Brûleur Principal.....       | 12    |
| Maintenance .....  | 12-13 |
| Façon de Commander les Pièces de Réparation .....              | 13    |
| Listes des Pièces .....  | 14    |
| Vue des Pièces .....   | 15    |
| Détection des Défectuosités .....                              | 16    |

# IMPORTANTE INFORMATION DE SÉCURITÉ

## CECI EST UN APPAREIL DE CHAUFFAGE

NE PAS FAIRE FONCTIONNER CET APPAREIL SANS QUE LA PAROI FRONTALE SOIT INSTALLÉE.

- A cause des hautes températures, cet appareil doit être situé dans un endroit non achalandé et loin des meubles et des rideaux.
- Les enfants et les adultes doivent être avisés des dangers des parois très chaudes et doivent rester loin pour éviter les brûlures ou l'allumage des vêtements.
- Les petits enfants doivent être surveillés étroitement lorsqu'ils sont dans le même appartement que l'appareil.
- Les vêtements ou d'autres matériaux inflammables ne doivent pas être placés sur ou près de l'appareil.
- Tout écran de sûreté qui est enlevé lors de la réparation d'un appareil, doit être replacé avant de remettre en marche cet appareil.
- Garder propre le brûleur et le compartiment de contrôle.
- Le capuchon de l'évent est chaud lorsque le radiateur est en fonction.
- L'installation et la réparation doit être faite par une **PERSONNE QUALIFIÉE**. L'appareil doit être inspecté avant l'usage et au moins une fois par année, par une personne qualifiée. S'il y a un excès de poussière venant du tapis, de la literie, etc..., de fréquents nettoyages seront requis. Il est impératif que les compartiments de commandes, les brûleurs et les passages de circulation d'air de l'appareil soient gardés propres.
- **NE RIEN** mettre autour du radiateur qui pourrait obstruer le débit de combustion et la ventilation d'air.
- Les matériaux combustibles, la gazoline ou les vapeurs et liquides inflammables ne doivent jamais être dans le même endroit que le radiateur.
- Examiner périodiquement le système de ventilation et remplacer les pièces défectueuses.
- Faire périodiquement une inspection visuelle de la veilleuse et du brûleur. Nettoyer et remplacer les pièces défectueuses.
- **AVERTISSEMENT:** Le couvercle pour l'accès à la veilleuse doit toujours être gardé hermétiquement fermé lors du fonctionnement.
- Ne pas utiliser ce radiateur s'il y a une pièce qui a été en contact avec l'eau. Appeler immédiatement un technicien qualifié pour inspecter le radiateur et remplacer toute pièce du système de commande et les commandes de gaz qui ont été en contact avec l'eau.

# INFORMATION DE SÉCURITÉ POUR LES UTILISATEURS DE PROPANE

Le propane est un gaz inflammable qui peut causer des feux et des explosions. Dans son état naturel, le propane est inodore et sans couleur. Peut-être que vous ne connaissez pas toutes les précautions décrites ci-dessous? Elles peuvent vous protéger ainsi que votre famille contre un accident. Lisez-les attentivement dès maintenant, puis

réexaminez les, point par point avec les membres de votre famille. Un jour, lorsqu'il n'y aura pas une minute à perdre, la sécurité de chacun dépendra de votre savoir-faire. Si après avoir lu les informations suivantes, vous pensez avoir besoin de plus amples informations, s'il vous plaît contactez votre fournisseur de gaz.

## AVERTISSEMENT À PROPOS DE L'ODEUR DU PROPANE

Si une fuite de gaz survient, vous devriez sentir le gaz parce qu'il y a une odeur incorporée au propane.

C'est le signal que vous devez agir immédiatement.

- N'utiliser pas les interrupteurs électriques, n'allumer pas des allumettes ou n'utiliser pas le téléphone. Ne rien faire qui pourrait enflammer le gaz.
- Évacuer tout le monde du bâtiment et des lieux. Faire ceci IMMÉDIATEMENT.
- Fermer toutes les soupapes d'approvisionnement des réservoirs et des bouteilles de gaz.
- Le propane est plus pesant que l'air et peut s'accumuler dans des endroits bas comme les soubassements. Lorsque vous avez des raisons de suspecter une fuite de gaz, n'allez pas dans les soubassements ou les endroits bas. Attendez que les pompiers vous assurent de la sûreté de ces endroits avant d'y aller.
- Utiliser le téléphone de votre voisin et appeler les pompiers et une personne entraînée avec le propane. Ne pas ouvrir les soupapes d'approvisionnement de gaz même si vous ne le sentez plus. Ne retourner pas dans le bâtiment ou sur les lieux.
- Finalement, laisser la personne qualifiée et les pompiers vérifier les fuites de gaz. Laisser-les aérer les lieux avant d'y retourner. Les personnes entraînées avec le propane devront réparer la fuite, vérifier et réallumer l'appareil au gaz, pour vous.

## AUCUNE ODEUR DÉCELÉE - FAIBLE ODEUR

**Il y a des personnes qui ne peuvent pas sentir très bien. Il y a des personnes qui ne peuvent pas sentir l'odeur chimique mis dans le gaz. Vous devez vérifier si vous pouvez sentir cette odeur.** Fumer peut décroître votre capacité de sentir. Sentir une odeur pour un certain temps, peut affecter votre sensibilité ou votre capacité de déceler cette odeur. Quelquefois d'autres odeurs, dans le même endroit, peuvent masquer l'odeur du gaz. Il y a des personnes qui ne peuvent pas sentir l'odeur du gaz ou que leur attention est sur quelque chose d'autre. Penser à sentir l'odeur du gaz peut faciliter la capacité de sentir.

**L'odeur dans le propane est sans couleur et peut s'affaiblir selon certaines circonstances.** Par exemple, s'il y a une fuite souterraine, le mouvement du gaz à travers le sol peut filtrer

a l'oxydation. Cet affaiblissement peut survenir s'il y a de la rouille à l'intérieur des réservoirs ou dans les tuyaux de fer pour le gaz.

L'odeur de la fuite de gaz peut être adsorbée ou absorbée sur ou dans les murs, maçonnerie et d'autres matériaux et tissus dans une chambre. Ceci enlèvera une quantité de l'odeur du gaz, affaiblissant l'intensité de la senteur.

Le propane peut stratifier dans un endroit fermé et l'intensité de l'odeur peut varier à différents niveaux. Puisque le propane est plus pesant que l'air, l'odeur peut être plus prononcée à un bas niveau. Toujours être sensible à la moindre odeur de gaz. Si vous décelez une odeur, réagissez comme si vous aviez une sérieuse fuite. Passez à l'action immédiatement en suivant les informations précédentes.

## QUELQUES POINTS À RETENIR

- **Apprendre à reconnaître l'odeur du propane.** Votre distributeur de propane peut vous donner un échantillon que vous grattez et sentez. Utilisez-le pour savoir reconnaître l'odeur du propane. Si vous pensez que votre gaz propane a une faible ou anormale odeur, appelez votre distributeur.
- Si vous n'êtes pas qualifié, n'allumer pas la veilleuse, n'effectuer pas l'entretien ou n'ajuster pas les appareils fonctionnant au propane. Si vous êtes qualifié, soyez conscient de l'odeur du propane avant et pendant que vous allumez la veilleuse, effectuez l'entretien ou faites les ajustements.
- Quelquefois un soubassement ou une maison fermée a une senteur de moisi qui peut dissimuler l'odeur de propane. N'essayez pas d'allumer des veilleuses, d'effectuer l'entretien ou de faire des ajustements dans des endroits où les conditions sont de telle sorte que vous ne pouvez pas déceler l'odeur du propane en cas de fuite.
- L'affaiblissement d'odeur, attribuable à l'oxydation par la rouille ou l'adsorption sur les parois des nouveaux réservoirs et bouteilles, est possible. Par conséquent, les personnes doivent être particulièrement prudentes lorsque de nouveaux réservoirs ou bouteilles sont mis en service. L'affaiblissement d'odeur peut se produire dans les nouveaux réservoirs ou dans les vieux réservoirs qui sont réinstallés, s'ils sont remplis et inutilisés pour une longue période de temps. La formation de rouille à l'intérieur des bouteilles et des réservoirs qui ne sont pas utilisés pour une longue période de temps, peut provoquer un affaiblissement de l'odeur. **Si vous pensez que de telles conditions existent, un test de senteur de gaz est recommandé périodiquement. Si vous avez des questions à propos de l'odeur du gaz, appelez votre distributeur de propane. En toute circonstance, un test de senteur périodique du gaz propane est une mesure de prudence.**
- Si en aucun temps vous ne sentez pas l'odeur du propane et que vous devriez, assumez que vous avez une fuite. Agissez immédiatement selon les recommandations ci-dessus, décrivant les actions à suivre en cas de décellement de gaz propane.
- Si vous découvrez que le réservoir est complètement vide de gaz (le réservoir n'a aucune pression de vapeur), fermez la soupape du réservoir immédiatement. Si la soupape du réservoir reste ouverte, le réservoir peut aspirer de l'air par les ouvertures, par exemple les orifices de la veilleuse. Si ceci survient, l'intérieur peut subir une additionnelle formation de rouille. Si la soupape est restée ouverte, considérez le contenant comme étant un nouveau réservoir. Soyez toujours certain que le réservoir est sous pression de vapeur; fermez la soupape du réservoir avant qu'il ne soit complètement vide et faites le remplir.

# INTRODUCTION

## Introduction

Toujours consulter le département de construction de votre région en ce qui regarde les règlements, les codes ou les ordonnances qui s'appliquent à l'installation d'un radiateur mural avec un évent direct.

## Instructions pour l'Installateur

- Après l'installation, l'installateur doit laisser le manuel d'instructions au propriétaire.
- L'installateur doit demander au propriétaire de compléter et poster la carte de garantie de l'unité de chauffage.
- L'installateur doit expliquer au propriétaire la mise en marche et le fonctionnement du radiateur et du thermostat.

**AVERTISSEMENT: Tout changement fait à ce radiateur ou à ces commandes peut être dangereux. Ceci est un appareil de chauffage et si un panneau, une porte ou un dispositif protecteur est enlevé pour l'entretien de cet appareil, il doit être remplacé avant de remettre en marche.**

## Information Général

Ce radiateur est un modèle conformément certifié avec l'American National Standard/CSA Standard Z21.86b and CSA 2.32b-2002 par Canadian Standard Association comme étant un radiateur mural à évacuation directe par gravité, devant être installé sur un mur extérieur en accordance avec ces instructions.

**Tout changement du modèle d'origine, installé autrement que décrit dans ces instructions ou fonctionnant avec un genre de gaz qui n'est pas indiqué sur la plaque d'identification, est la responsabilité de la personne et de la compagnie faisant ce changement.**

## Important

Toute la correspondance doit mentionner le numéro complet du modèle et de la série et le genre de gaz.

**AVIS:** Pendant le premier allumage de cette unité, la peinture cuira et de la fumée se produira. Pour prévenir les détecteurs de fumée de se déclencher, bien ventiler l'appartement dans lequel l'unité est installée.

## Installation dans les Garages Résidentiels

Tous les équipements dans les garages résidentiels employant du gaz, doivent être installés de façon à ce que les brûleurs et les appareils pour allumer les brûleurs doivent être situés à au moins 18" (457mm) au dessus du plancher.

Tous ces équipements doivent être situés ou protégés de façon à ce qu'un véhicule en se déplaçant ne puisse les endommager.

## Agence d'Installation Qualifiée

L'installation et le remplacement des tuyaux à gaz, des équipements ou accessoires, la réparation et l'entretien de l'équipement doivent être faits seulement par une agence qualifiée. Le terme "agence qualifiée" signifie tout individu, firme, corporation ou compagnie qui est, en personne ou par un représentant, engagé et responsable de: (a) l'installation ou le remplacement des tuyaux à gaz, ou (b) la connexion, l'installation, la réparation ou l'entretien de l'équipement, qui possède l'expérience nécessaire en ce genre de travail, est familier avec les précautions requises et s'est conformé à toutes les exigences de l'autorité ayant juridiction.

L'installation doit être conforme aux codes locaux. Dans l'absence de codes locaux, l'installation doit se conformer avec National Fuel Gas Code ANSI Z223.1/NFPA 54\* Natural Gas and Propane Installation Code, CSA B149.1.

*\*Disponible chez American National Standards Institute, Inc., 11 West 42nd St., New York, NY 10036.*

## Hautes Altitudes

Pour des altitudes/élevations au dessus de 2,000 pieds (610m), les puissances d'entrée devront être réduites de 4% pour chaque 1,000 pieds (305m) au dessus du niveau de la mer. Hautes Altitudes au Canada pour les endroits ayant une élévation au dessus du niveau de la mer entre 2,000pieds (610m) et 4,500pieds (1370m), les orifices suivants devront être utilisé:

| MOD    | 0-2000 pieds (0-610 m) |                 | 2000-4500 pieds (610-1370 m) |                 |
|--------|------------------------|-----------------|------------------------------|-----------------|
|        | NG                     | LPG             | NG                           | LPG             |
| MV 120 | 0.053"(1.35 mm)        | 0.035"(0.88 mm) | 0.050"(1.27 mm)              | 0.033"(0.83 mm) |
| MV 130 | 0.070"(1.77 mm)        | 0.043"(1.10 mm) | 0.066"(1.67 mm)              | 0.041"(1.03 mm) |
| MV 145 | 0.077"(1.95 mm)        | 0.053"(1.35 mm) | 0.072"(1.83 mm)              | 0.050"(1.27 mm) |

# SPÉCIFICATIONS

| Modèle  | MV 145          | MV 130          | MV 120          |
|---|-----------------|-----------------|-----------------|
| Débit BTU/HR (KW)                                 | 20,000 (5.81)   | 14,000 (4.07)   | 8,400 (2.44)    |
| Débit Min. BTU/HR (KW)                            | 6,900 (2.00)    | 6,000 (1.74)    | 3,800 (1.10)    |
| Efficacité Thermique* (%)                         | 72%             | 72%             | 72%             |
| Hauteur (pouces / mm)                             | 24.4 / 620      | 24.4 / 620      | 24.4 / 620      |
| Largeur (pouces / mm)                             | 27.3 / 688      | 27.3 / 688      | 21.2 / 538      |
| Profondeur (pouces / mm)                          | 6.75 / 170      | 6.75 / 170      | 6.75 / 170      |
| Arrivée du gaz                                    | 3/8" NPT        | 3/8" NPT        | 3/8" NPT        |
| Diamètre de la ventilation - entrée (pouces / mm) | 6 1/4" (160 mm) | 4 3/4" (121 mm) | 3 9/16" (90 mm) |
| Diamètre de la ventilation - sortie (pouces / mm) | 3 1/2" (89 mm)  | 2 5/8" (67 mm)  | 2 1/8" (54 mm)  |

\*L'efficacité thermique de l'appareil est une estimation d'efficacité du produit, qu'a été déterminée sous des conditions de fonctionnement continus et a été défini avec indépendance de n'importe quel système installé.

# ALIMENTATION EN GAZ

## Emplacement de l'Alimentation de Gaz

La ligne de gaz peut entrer dans l'appareil soit en venant du plancher ou du mur extérieur. L'ouverture pour la ligne de gaz doit être faite à ce moment. L'emplacement de l'ouverture sera déterminé par la position des solives du plancher et par la valve et le raccord utilisé lors de l'entretien.

### Diamètre recommandé pour les tuyaux de gaz

| Longueur du Tuyau (Pied) | Diamètre Intérieur des Tuyaux Schedule 40 |        | Diamètre Extérieur des Tuyaux Type L |        |
|--------------------------|---|--------|--------------------------------------|--------|
|                          | Nat.                                      | L.P.   | Nat.                                 | L.P.   |
| 0 - 10                   | 1/2"                                      | 3/8"   | 1/2"                                 | 3/8"   |
|                          | 1.3 cm                                    | 1.0 cm | 1.3 cm                               | 1.0 cm |
| 10 - 40                  | 1/2"                                      | 1/2"   | 5/8"                                 | 1/2"   |
|                          | 1.3 cm                                    | 1.3 cm | 1.6 cm                               | 1.3 cm |
| 40 - 100                 | 1/2"                                      | 1/2"   | 3/4"                                 | 1/2"   |
|                          | 1.3 cm                                    | 1.3 cm | 1.9 cm                               | 1.3 cm |
| 100 - 150                | 3/4"                                      | 1/2"   | 7/8"                                 | 3/4"   |
|                          | 1.9 cm                                    | 1.3 cm | 2.2 cm                               | 1.9 cm |

**Note:** Ne jamais utiliser des tuyaux de plastique. Assurez-vous que les codes locaux permettent les tuyaux de cuivre ou galvanisés.

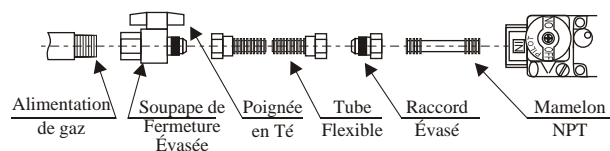
**Note:** Étant donné que certaines municipalités ont des codes locaux additionnels, il est toujours préférable de consulter votre autorité locale et le code d'installation.

L'emploi des connexions de gaz suivantes est recommandé:

- ANS Z21.24 Connexions d'appareil de tuyaux et de raccords en métal ondulé.
- ANS Z21.45 Connexions flexibles d'appareil autre qu'en métal.

Les connexions ci-dessus peuvent être utilisées si elles sont acceptées par les autorités ayant juridiction. L'État de Massachusetts exige qu'une connexion flexible d'un appareil n'exécède pas une longueur de trois pieds.

### CONNEXION D'UNE LIGNE DE GAZ FLEXIBLE



### CONNEXION D'UNE LIGNE DE GAZ RIGIDE

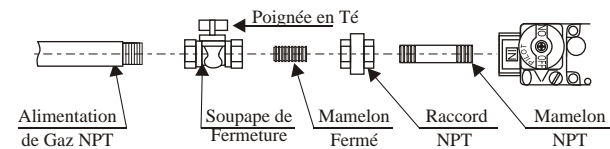


Figure 1

Consulter le Code d'Installation en Cours du National Fuel Gas Code, ANSI Z223.1 CAN/CGA-B149 (.1 ou .2).

### Installation d'un Nouveau Robinet Principal pour le Gaz

Chaque appareil doit avoir son propre robinet manuel de gaz. Dans l'État de Massachusetts, le robinet de gaz doit être une poignée en T. Un robinet manuel principal doit être situé près de l'appareil. S'il n'y en a pas ou si la grosseur ou l'emplacement est inadéquat, contacter votre installateur autorisé pour l'installation ou pour changer l'emplacement.

Les composantes employées sur les joints filetés des tuyaux doivent être résistantes à l'action des gaz de pétrole liquéfiés. La canalisation de gaz doit être vérifiée par l'installateur pour des possibilités de fuites. Ceci doit être fait sur toutes les connexions exposées avec une solution savonneuse. Surveiller pour la formation de bulles. Si les connexions ne sont pas exposées, un test de pression doit être fait.

**Ne jamais employer une flamme pour vérifier les fuites. Lors d'un test de pression, le tuyau d'arrivée de la valve de commande doit être débranché de l'appareil et bouché. Ne jamais faire un test de pression lorsque l'appareil est branché; la valve de commande peut être endommagée!**

Pour aider à l'entretien, une valve à gaz et un raccord horizontal doivent être installés sur la ligne de gaz en amont du contrôle de gaz. Le National Fuel Gas Code exige qu'une ligne d'égouttage soit installée près de l'entrée de gaz. Ceci doit consister en une longueur de tuyau vertical qui sera raccordé par un T sur la ligne de gaz et terminé au bas par un bouchon. La condensation et les particules étrangères s'y amassent.

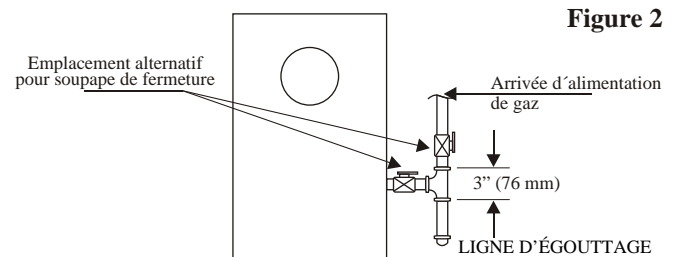


Figure 2

### Test de Pression du Système d'Alimentation de Gaz

1. Pour vérifier la pression d'arrivée à la valve de gaz, une bonde N.P.T. de 1/8" (3.175mm), accessible pour vérifier le jaugeage des connexions, doit être située immédiatement en amont de la connexion d'alimentation de gaz de l'appareil.
2. Pendant un test de pression du système d'alimentation de gaz, l'appareil et sa valve de fermeture doivent être débranchés si une pression supérieure à 1/2 psig (3.5kPa) est employée.
3. Pendant un test de pression du système d'alimentation de gaz, si une pression égale ou inférieure à 1/2 psig (3.5kPa) est employée, l'appareil doit être isolé du système d'alimentation de gaz en fermant sa propre valve de fermeture manuelle.

**Attention!** Si une des procédures ci-dessus occasionne une pression supérieure à 1/2 psig (3.5kPa) sur la valve de gaz de l'appareil, une situation dangereuse s'en suivra.

### Vérifier les Pressions de Gaz

Un régulateur de pression est incorporé dans la valve de gaz propane et celle de gaz naturel. Les modèles pour le gaz naturel auront des pressions de gaz approximativement de 4.0" w.c (0.996 kPa) pour MV120 et 130 ou 6.0" w.c (1.494 kPa) pour MV145 à la sortie de la valve et une pression d'entrée à la valve d'un minimum de 5.0" w.c. (1.245 kPa) pour MV120 et 130 ou 7.0" w.c (1.742 kPa) pour MV145 pour permettre l'ajustement à l'entrée, allant à un maximum de 10.5" w.c. (2.614 kPa). Les modèles pour le gaz propane auront des pressions de gaz approximativement de 10.0" w.c.(2.49 kPa) à la sortie de la valve et une pression d'entrée à la valve d'un minimum de 11.0" w.c. (2.74 kPa) pour permettre l'ajustement à l'entrée, allant à un maximum de 13.0" w.c. (3.24 kPa). Une bonde N.P.T. de 1/8" (3.175mm), accessible pour vérifier le jaugeage des connexions, est située sur le côté de la sortie de la commande de gaz.

# ESPACES LIBRES

1. En choisissant un emplacement, il est nécessaire de fournir l'espace libre adéquat pour l'accès à l'installation et à l'entretien. Tellement, l'espace libre minimum à la parois droite est 6"(152 mm) et 4" (101 mm) à la parois gauche.
2. L'unité est soutenue par un support qui est attaché au mur.
3. Le minimum d'espace libre entre les parois du radiateur et les constructions combustibles est de 36" (914 mm) au sommet, 4" (102 mm) de chaque côté, 4" (102 mm) du plancher ou du dessus du tapis, tuile ou autre sorte de recouvrement de plancher et 0" (0mm) au mur arrière.
4. Le minimum d'espace libre entre le centre du capuchon d'évacuation et le coin ou l'obstruction le plus près à l'extérieur est de 16" (407 mm).
5. Pour le MV 120, le MV 130 et le MV 145, le minimum d'épaisseur pour le mur est de 4 1/2" (114mm) et le maximum est de 12"(305 mm).

L'usage de tuyaux qui ne sont pas fournis par le fabricant, résultera en une performance insatisfaisante.

L'évent terminal d'un appareil à événement direct, avec une puissance de 10,000 Btu/h (3 kW/h) ou moins, doit être situé à au moins 6" (150 mm) d'une ouverture par lequel un tuyau de gaz peut entrer dans le bâtiment; l'évent terminal d'un appareil à événement direct, avec une puissance de 50,000 Btu/h (14.6 KW/h) ou moins, doit être situé à au moins 9" (229 mm). Le bas de l'évent terminal et la prise d'air doivent être situés à au moins 12" (305mm) au-dessus du sol.

**AVERTISSEMENT: Le point le plus près du capuchon de l'évent doit être éloigné horizontalement d'un minimum de 6' (1.83m) du régulateur de pression. Dans le cas d'un mal fonctionnement du régulateur, la distance de 6' (1.83m) réduira la chance pour le gaz d'entrer par le capuchon de l'évent.**

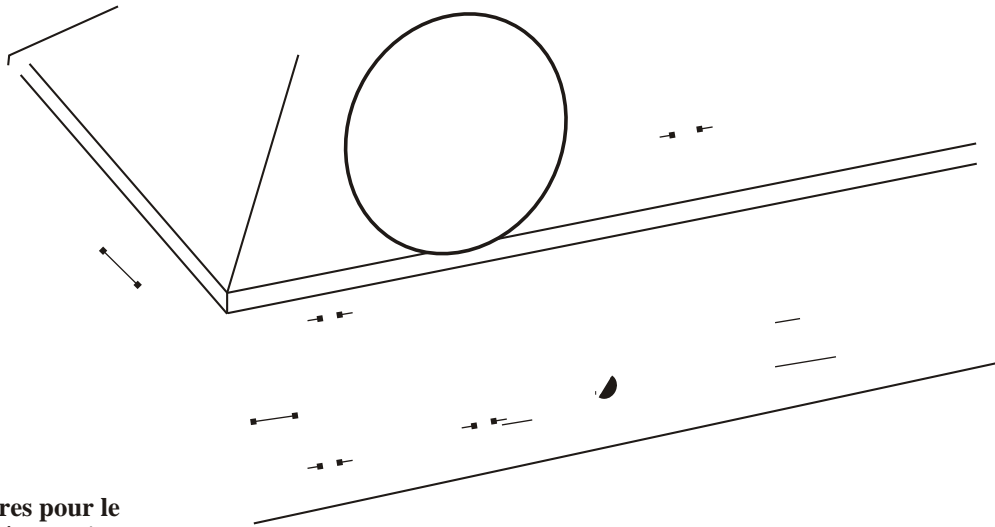


Figure 3

Espaces libres pour le terminal d'évacuation

# ESPACES LIBRES (suite)

|  | INSTALLATIONS AU CANADA <sup>1</sup>   | INSTALLATIONS AUX EE. UU. <sup>2</sup>   |
|--|--|--|
| <b>J</b> = espace libre à entrée d'air non mécanique de l'édifice ou à entrée d'air de combustion d'une autre appareil | 6" (15 cm) pour équipes ≤ 10,000 Btu/h (3 kW), 12" (30 cm) para equipos > 10,000 Btu/h (3 kW) et ≤ 100,000 Btu/h (30 kW) | 6" (15 cm) pour équipes < 10,000 Btu/h (3 kW), 9" (23 cm) pour équipes > 10,000 Btu/h (3 kW) et < 50,000 Btu/h (15 kW) |
| <b>K</b> = espace libre à entrée d'air mécanique   | 6 pieds (1.83 m)   | 3 pieds (91 cm) au-dessus, jusqu' à 10 pieds (3 m) horizontalement   |
| <b>L</b> = espace libre sur trottoir pavé ou chemin pavé placé en propriété publique                                   | 7 pieds (2.13 m) <sup>3</sup>  | espaces libres d'après les codes locaux d'installation et les requêtes du fournisseur de gaz                           |
| <b>M</b> = espace libre sous véranda, porche, plancher ou balcon   | 12" (30 cm) <sup>4</sup>   |  |

1 En conformité avec le code en vigueur CSA B149.1, *Natural Gas and Propane Installation Code*.

2 En conformité avec le code en vigueur ANSI Z223.1/NFPA 54, *National Fuel Gas Code*.

3 L'évacuation ne pourra pas déboucher sur un chemin latéral ou de passage pavé situé entre deux

Maisons de famille toutes les deux usagères.

4 Seulement permis dans une véranda, porche, plateforme ou balcon ouvert au moins dans deux côtés sous le sol.

## INSTRUCTIONS POUR L'INSTALLATION

### Emplacement de l'appareil

L'appareil doit être placé sur un mur extérieur de la chambre à chauffer. Lorsque l'on choisit l'emplacement pour le radiateur, il faut tenir compte que l'aération fournie avec l'unité doit être installée sans aucun changement, sauf dans la coupure des tuyaux et l'isolation dans leur longueur, comme il est précisé dans ces instructions. Le capuchon extérieur doit être nivelé avec le mur, d'où l'on suggère de choisir une superficie extérieure assez lisse.

Puisqu'il s'agit d'une équipe d'évacuation directe, tous les gaz de combustion sont éliminés en dehors de la construction, d'où il n'est pas nécessaire de considérations spéciales pour la combustion. Ayant assuré que l'évacuation respectera les conditions d'espaces libres détaillées ci-dessus, il faut placer l'appareil dans le mur intérieur de la chambre à chauffer. Commencez l'installation en plaçant les traverses dans le mur intérieur de la pièce. Cherchez la ligne moyenne entre les traverses ou vous voulez installer l'équipe.

### Emplacement de l'ouverture dans le mur

Avec l'équipe, on fournit un tableau en échelle réelle qui montre les ouvertures d'évacuation et d'entrée de gaz et les trous de montage. Placez le tableau sur le mur de manière que le trou pour l'évacuation reste entre les traverses. Dans le cas du MV 130, par exemple, les trous du support se trouvent sur les traverses (16"/406 mm, au centre). Ne coupez pas les traverses pour installer l'équipe. Placez le bord inférieur du tableau sur le sol.

**Note:** la figure 4 montre les dimensions nécessaires pour installer l'appareil au cas où le tableau ne pourrait pas être utilisé ou qu'il serait perdu.

### Installation de l'unité

Vérifiez que l'emplacement choisi pour le radiateur respecte les requêtes pour installation détaillés antérieurement. Cette équipe ne doit pas être connecté à un conduit de cheminée utilisé pour une équipe séparée de combustible solide.

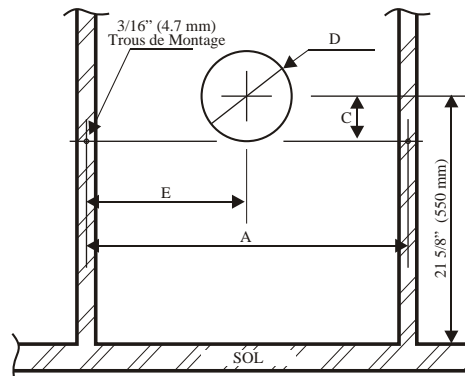


Figure 4

| MOD    | A                | C               | D               | E               |
|--------|------------------|-----------------|-----------------|-----------------|
| MV 120 | 10 1/4" (260 mm) | 4 1/4" (108 mm) | 5 1/2" (140 mm) | 6 1/8" (155 mm) |
| MV 130 | 16" (406 mm)     | 4 1/4" (108 mm) | 6 3/4" (171 mm) | 9" (230 mm)     |
| MV 145 | 16" (406 mm)     | 3 3/4" (98 mm)  | 8 1/2" (216 mm) | 9" (230 mm)     |

### Coupage du trou d'évacuation

Commencez l'installation en plaçant les traverses dans le mur. Placez la ligne moyenne entre les traverses ou l'on va installer l'appareil. Dans la figure 5 on montre une vue latérale de l'installation de l'équipe. Cet appareil est certifié pour son installation dans des murs de jusqu'à 12" (305 mm) d'épaisseur. L'ensemble d'évacuation qui est fourni avec l'unité s'adapte à des murs de cet épaisseur comme maximum.

Avec le tableau étendu et nivelé sur le mur intérieur, marquez l'emplacement de l'ouverture d'évacuation, des trous pour installer le support et du trou pour la distribution de gaz (si on le plaçait à travers le mur). Si l'on veut (et d'accord avec les codes de construction et de plomberie locaux) la distribution de gaz pour l'appareil peut s'installer sous le sol de la chambre.

Retirez le tableau du mur et avec un long foret, faites un trou passant (intérieur-extérieur) au centre de l'ouverture pour la ventilation. Tracez l'ouverture de mur en diamètre indiqué dans les deux murs et coupez-les. Ce diamètre doit être approximativement 1 à 2" (25 à 52 mm, selon le modèle) plus grand que celui du tuyau d'évacuation (y compris l'isolation).



# INSTRUCTIONS POUR L'INSTALLATION (suite)

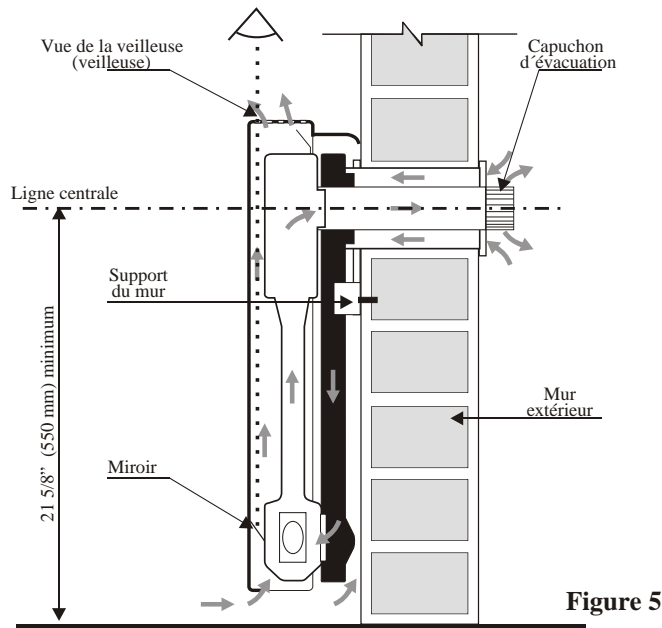


Figure 5

Vérifiez que les deux trous, intérieur et extérieur, sont concentriques, utilisez pour cela un niveau de charpentier et une équerre. Si l'ouverture dans le mur extérieur est plus grande que celle de l'intérieur, l'eau pourrait couler (de la pluie ou arrosiers) dans le capuchon d'évacuation et s'écouler dans le réchauffeur, en provoquant son oxydation.

Si le capuchon d'évacuation va être installé sur mur en planches ou pierre, ou si un angle à moins de 6" (152.4 mm) de la section d'entrée d'air peut obstruer l'entrée d'air, l'évacuation devra être éloignée du mur comme le montre la figure 6.

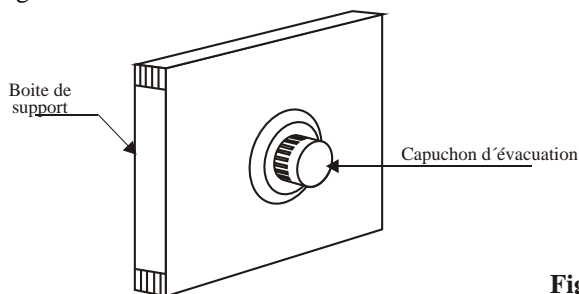


Figure 6

Consultez le service de pièces de rechange pour l'ensemble support de séparation.

**Note:** l'évacuation du modèle MV 145 possède des tuyaux décentrés et doit être installée dans une position déterminée. Vérifiez que la flèche gravée sur anneau se trouve vers le haut. Sinon, il sera impossible de connecter le tuyau intérieur d'évacuation à l'appareil.

## Marque et coupure des tuyaux d'évacuation

Dès l'extérieur de l'édifice introduisez l'ensemble d'évacuation à travers l'orifice jusqu'à ce que le rebord plafonne avec le mur extérieur et fixez le capuchon au mur en utilisant les 4 vis fournis avec l'unité et les orifices préparés

MV1XX-2-0404

dans le rebord du capuchon d'évacuation.

Une fois vérifié que le capuchon d'évacuation est ajusté au mur extérieur, tracez une ligne autour du tuyau d'évacuation au lieu où celui-ci sort du mur intérieur. (**Note: cette ligne n'indique que le point où le tuyau sort du mur. Non pas où l'on devra couper les tuyaux.**)

Retirez l'ensemble d'évacuation du mur. Mesurez 7/16" (11 mm) dès la ligne que l'on vient de tracer jusqu'au bout ouvert du tuyau et faites une marque.

Marquez plusieurs points autour de l'isolation du tuyau à une distance de 7/16" (11 mm) et puis collez un ruban adhésif en papier autour du tuyau pour assurer une coupure régulière.

Utilisez un couteau affilé (cutter) seulement pour couper l'isolation et son revêtement et une scie ou une cisaille de ferblantier pour couper le tuyau de plus grand diamètre par la ligne marquée par le bord du papier.

Coupez une ligne droite et uniforme dans le tuyau extérieur en faisant attention de ne pas l'écraser ou le déformer. **Il est très important que la coupure soit régulière et droite pour assurer le bon fonctionnement du radiateur.**

Sur les modèles MV120 et MV130 après vous devez couper de nouveau l'isolation par la ligne tracée originalement (ligne nivelée avec le mur intérieur, 7/16" derrière le nouvel extrême du tuyau) (voir Figure 7)

Sur les modèles MV145 vous ne devez couper que l'extrême inférieur de l'isolation (pas la circonférence complète) afin de permettre que l'évacuation passe à travers la barre de l'ensemble de support de mur. Coupez selon le dessin suivant:

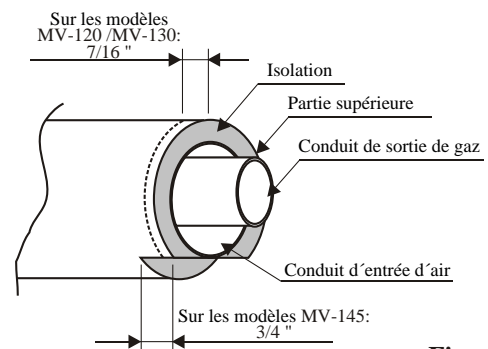


Figure 7

Mesurez après 2" (50.8 mm) dès le bord coupé du tuyau de plus grand diamètre et faites une marque dans le conduit intérieur. Vérifiez que le tuyau intérieur est uniformément marqué de manière qu'il soit 2" (50.8 mm) plus long que le tuyau de plus grand diamètre une fois coupé. Le tuyau intérieur doit être coupé avec une scie.

**Pour couper les tuyaux, n'oubliez pas de sortir du mur l'ensemble d'évacuation.**

## Installation de l'ensemble d'évacuation et de la plaque de support de mur

Au cas où le mur extérieur soit de tuilettes en bois, rustique ou dénivelé il faut utiliser un produit à sceller de silicones afin d'éviter la filtration d'eau ou l'entrée d'insectes.

de mur  
en utilisant  
réparés dans  
fixé le capuchon  
le capuchon et le

mettez la plaque de support  
à l'intérieure de la carcasse  
à l'extérieur du tuyau d'évacuation et  
à l'intérieure du mur intérieur.

**avec les doigts l'introduction  
dans l'orifice de la plaque  
pour éviter des déformations  
de la plaque.**

à l'aide d'un niveau de charpentier et  
des vis de montage (voir Figure  
du tuyau d'évacuation et faites les  
à l'aide d'une clé plate. Mettez de nouveau  
à l'extérieur du conduit d'évacuation et  
à l'intérieure des deux vis fournies avec

**il ne doit pas utiliser des attaches  
autres que celles fournies (fournies aussi en  
pour les modèles TV145 peuvent être  
à l'extérieur du mur.**

des vis qui se trouvent



Cette opération  
se fait à l'aide  
l'appareil  
d'avertissement

Après avoir contrôlé la distribution de gaz et  
de l'équipe, on  
de la soupape de coupure  
de gaz dans la position  
savonneuse sur toutes les  
une perte de gaz, alors des  
coupe la distribution de gaz; si  
soit dans le mesureur soit dans le  
Réparez l'union avec perte et fait

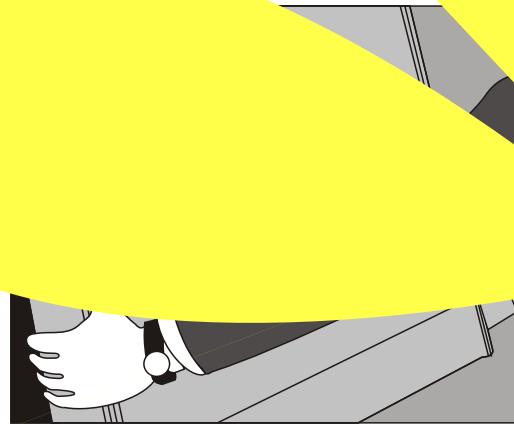


Figure 10

Après avoir contrôlé la distribution de gaz et  
observé des pertes, installez  
figure 10

## POUR VOTRE SÉCURITÉ LIRE AVANT D'ALLUMER

**AVERTISSEMENT: Quiconque ne respecte pas à la lettre les instructions dans le présent manuel risque de déclencher un incendie ou une explosion entraînant des dommages matériels, des lésions corporelles ou la perte de vies humaines.**

- A. Cet appareil est muni d'une veilleuse qui doit être allumée manuellement. Respecter les instructions ci-dessous à la lettre.
- B. Avant d'allumer la veilleuse, renifer tout autour de l'appareil pour déceler une odeur de gaz. Renifer près du plancher, car certains gaz sont plus lourds que l'air et peuvent s'accumuler au niveau du sol.

### QUE FAIRE S'IL Y A UNE ODEUR DE GAZ

- Ne pas tenter d'allumer l'appareil.
- Ne toucher aucun interrupteur électrique; n'utiliser aucun téléphone dans le bâtiment.
- Appeler immédiatement le fournisseur de gaz en employant

le téléphone d'un voisin. Respecter à la lettre les instructions du fournisseur de gaz

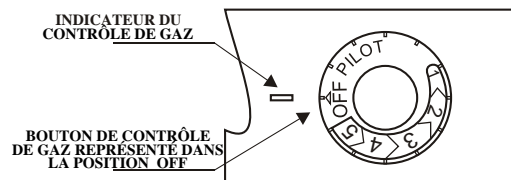
- Si personne ne répond, appeler le service des incendies.

C. Ne pousser ou tourner la manette d'admission du gaz qu'à la main; ne jamais employer d'outil à cet effet. Si la manette reste coincée, ne pas tenter de la réparer; appeler un technicien qualifié: Quiconque tente de forcer la manette ou de la réparer peut déclencher une explosion ou un incendie.

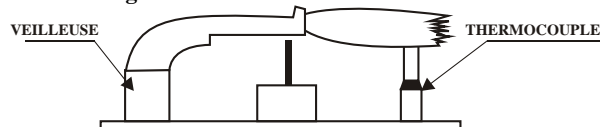
D. Ne pas se servir de cet appareil s'il a été plongé dans l'eau, complètement ou en partie. Appeler un technicien qualifié pour inspecter l'appareil et remplacer toute partie du système de contrôle et toute commande qui ont été plongées dans l'eau.

## ALLUMAGE

1. **ARRÊTER!** Lisez les instructions de sécurité sur la portion supérieure (à gauche) de cette étiquette.
2. Régler le thermostat à la température la plus basse.
3. Ouvrir la petite porte d'accès au contrôle de gaz sur la portion supérieure droite de l'appareil.
4. Tourner le bouton de contrôle de gaz dans le sens des aiguilles d'une montre ↻ à la position OFF.



5. Attendre cinq (5) minutes pour laisser échapper tout le gaz. Renifer tout autour de l'appareil, y compris près du plancher, pour déceler une odeur de gaz. Si c'est le cas, **ARRÊTER!** Passer à l'étape "B" des instructions de sécurité sur la portion supérieure (à gauche) de cette étiquette. S'il n'y a pas d'odeur de gaz, passer à l'étape suivante.
6. Trouver le bouton rouge d'allumage derrière le bouton de contrôle de gaz.



7. Tourner le bouton de contrôle de gaz dans le sens opposé des aiguilles d'une montre ↺ à la position PILOT. Pressez-le pendant que vous appuyez sur l'allumeur plusieurs fois jusqu'à ce que la veilleuse s'allume. La flamme de la veilleuse

peut s'observer en regardant vers le bas dans la carcasse. Un petit miroir au fond à droite, permettra voir si la veilleuse est allumée. Si on quitte la carcasse de l'appareil on pourra regarder directement la veilleuse et le brûleur.

8. Continuer de tenir le bouton de contrôle de gaz pour environ 30 secondes ou après que la veilleuse soit allumée. Relâcher le bouton et il reviendra à sa position. La veilleuse est supposée rester allumée.

- Si le bouton ne revient pas à sa position lorsque vous le relâchez, arrêter et appeler immédiatement un technicien d'entretien ou le fournisseur de gaz.

- Si la veilleuse ne reste pas allumée après plusieurs essais, tourner le bouton de contrôle de gaz à la position OFF et appeler votre technicien d'entretien ou votre fournisseur de gaz.

9. Attention! Le bouton de contrôle de gaz possède un **DISPOSITIF DE BLOCAGE**. Initialement quand la veilleuse est allumée et le magnéto de sécurité s'énergise, ce dispositif de sécurité commence à fonctionner. Si le bouton de contrôle de gaz se trouve dans la position OFF ou le flux de gaz à l'appareil s'interrompt, la veilleuse ne pourra pas être allumée jusqu'à ce que le magnéto de sécurité se désénergise (60 secondes à peu près, on entendra un "click"). La veilleuse pourra alors être allumée de nouveau et on devra répéter les pas 4 à 8.

10. Replacer la carcasse du radiateur (si a été enlevée).

11. Tourner le bouton de contrôle de gaz dans le sens opposé des aiguilles d'une montre ↺ pour régler le thermostat à la température désirée.

12. Fermer la petite porte d'accès au contrôle de gaz.

## POUR FERMER LE GAZ À L'APPAREIL

1. Régler le thermostat à la température la plus basse.
2. Ouvrir la petite porte d'accès au contrôle de gaz sur la portion supérieure droite de l'appareil.
3. Tourner le bouton de contrôle de gaz dans le sens des aiguilles d'une montre ↻ à la position OFF. Ne pas forcer.

4. Fermer la petite porte d'accès au contrôle de gaz.

**AVERTISSEMENT:** Après avoir fermé le gaz à l'appareil attendre 5 minutes avant d'allumer à nouveau.

## ASPECT CONVENABLE DE LA FLAMME DE LA VEILLEUSE

La flamme correcte doit être presque horizontale, bleue et doit s'étendre ¼" (6 mm) au delà de la thermocouple. La flamme doit entourer la thermocouple immédiatement sous la pointe.

Dans le gaz propane (gaz LP), elle peut présenter une tonalité jaune ou la flamme de la veilleuse et la flamme du brûleur s'unissent.

Les veilleuses de gaz naturel ont besoin d'ajustage lorsque la pression d'entrée est supérieure à 5" w.c. (1.25 kPa). Tournez le vis d'ajustage dans la direction des aiguilles de la montre pour réduire la flamme.

Le gaz propane (gaz LP) n'a pas besoin d'ajustage.

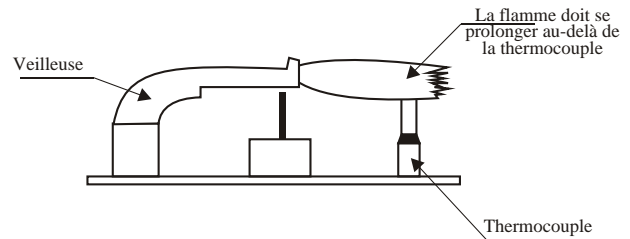


Figure 11

## ASPECT CONVENABLE DE LA FLAMME DU BRÛLEUR PRINCIPAL

Dans le brûleur principal existira une flamme courte bleu avec une flamme secondaire plus grande et légère. La flamme peut avoir une pointe jaune lorsqu'elle est chaude. Regardez la figure 11 où on montre les hauteurs de chaque partie de la flamme. L'existence de poussière dans l'air de combustion produira une flamme orange ou rouge. Ne confondez pas une flamme orange ou rouge avec une flamme jaune incorrecte. Après l'utilisation, un nettoyage peut être exigé pour obtenir une flamme convenable.

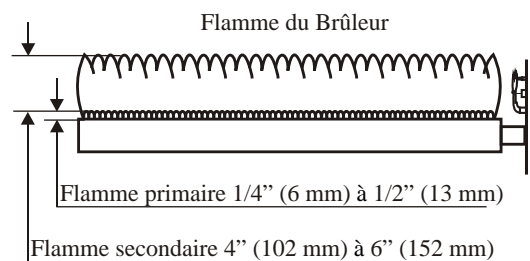


Figure 12

## MAINTENANCE

Annuellement avant de mettre en fonctionnement l'appareil, celui-ci doit être inspecté et nettoyé par personnel de service qualifié.

**Avertissement:** l'information suivante est destinée à personnel de service qualifié et fournit les instructions correctes pour la maintenance et la réparation de l'appareil au cours de sa vie utile. **L'utilisateur NE doit pas essayer de mettre en pratique ces opérations.**

1. Retirez la carcasse de l'appareil en dévissant les deux écrous qui se trouvent dans la partie inférieure.
2. On doit couper la distribution de gaz à l'appareil dans la soupape de coupure, ou dans le mesureur de gaz dans le réservoir de gaz LP propane. On doit déconnecter la distribution de gaz à l'unité pour pouvoir la démonter du mur.
3. Enlevez les deux écrous qui fixent l'unité au support du mur et après levez-la et retirez-la du mur.
4. Examinez minutieusement l'intérieur des deux tuyaux d'évacuation. Si vous détectez quelque obstruction, nettoyez-la.
5. Observez s'il existe quelque élément étrange dans les ouvertures de la partie postérieure de l'unité. Retirez tout objet qui puisse obstruer la libre circulation de l'air d'évacuation et/ou combustion. Vous pourrez seulement observer une partie de l'intérieur de l'unité dès cet angle.
6. Pour nettoyer la veilleuse et le brûleur principal, on peut

retirer de l'appareil en desserrant les accessoires de compression qui distribuent le gaz dans le brûleur principal aussi bien que dans la veilleuse. Note: avant de retirer l'ensemble veilleuse et l'ensemble brûleur principal vérifiez d'avoir joints substitués à la main (voir la figure 13). Après avoir dévissé la connexion de gaz au brûleur et enlevé les vis de compression dévisser la thermocouple de la base de la veilleuse et retirez-la de l'ensemble veilleuse. Enlevez les quatre vis qui assujettissent le support brûleur principal/veilleuse, et retirez le brûleur veilleuse de l'unité. Vérifiez l'existence de saleté, poussière ou suie dans le brûleur/veilleuse et nettoyez-la en soufflant ou avec une brosse aux poils doux.

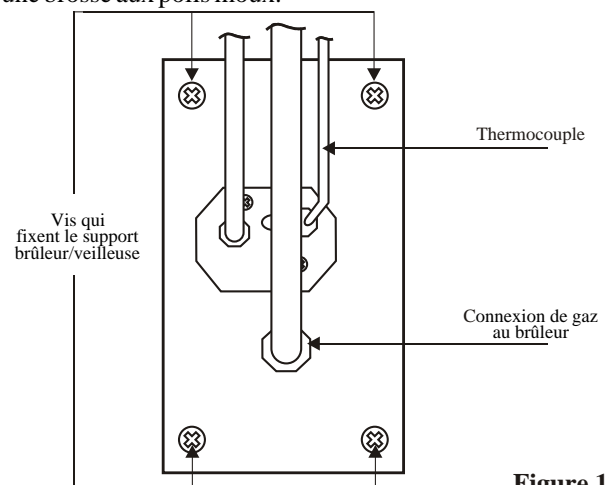


Figure 13

## MAINTENANCE (suite)

N'essayez de passer aucun élément à travers l'orifice de la veilleuse. Après, vérifiez l'existence de saleté, poussière ou suie dans le brûleur principal et nettoyez-la avec une brosse molle.

7. Inspectionnez l'existence de saleté, poussière ou suie dans la chambre de combustion. Si on en observe relâchez-la avec une brosse à longue manche et puis retirez-la avec un aspirateur.
8. Lorsque vous préparez le remplacement du brûleur principal/veilleuse vérifiez l'état des joints du support s'ils sont endommagés ou usés, remplacez-les seulement avec des pièces de rechange de Empire Comfort Systems Inc., dont l'adresse se trouve au bas de cette page. Réinstallez l'ensemble dans le rechauffeur, en le fixant au châssis avec les 4 vis qui ont été enlevées dans le pas 6. **Note: vérifiez que le côté gauche du brûleur principal se trouve monté sur son support. Le brûleur doit être nivelé.**
9. Connectez de nouveau les distributions de gaz au brûleur principal et à la veilleuse, qui ont été déconnectés pendant le pas 6. Réinstallez la thermocouple dans le support de la veilleuse, en l'insérant complètement dans la chambre avant de l'ajuster.
10. Mettez le rechauffeur sur le support de mur, en vérifiant que le tuyau d'évacuation du plus petit diamètre encastre parfaitement avec la sortie d'évacuation dans la partie postérieure de l'appareil. Le tuyau de plus grand diamètre glissera sur l'ouverture appropriée. Fixez l'équipe à son support avec les 2 vis retirées antérieurement.

11. Connectez le gaz à l'appareil et faites l'ÉPREUVE DE PERTE DE GAZ. Vous devrez aussi contrôler les connexions de gaz internes de l'appareil. Après avoir fait ces épreuves, mettez en fonctionnement le brûleur de la veilleuse, avec les instructions qui se trouvent dans ce manuel ou pendues dans l'appareil. Contrôlez toutes les unions dans la connexion de gaz de la veilleuse avec une solution d'eau savonneuse. La présence de bulles dans une union indiquera l'existence d'une perte qui devra être réparée. Déconnectez le gaz à l'unité quand vous réaliserez des réparations dans le système de connexion de gaz. Après avoir contrôlé la connexion de gaz à la veilleuse, allumez le brûleur principal et contrôlez l'existence de pertes, de la même manière que vous l'avez fait avec la veilleuse.

12. Quand le brûleur principal est en train de fonctionner contrôlez que les flammes de la veilleuse et du brûleur soient bleues. Dans les figures 11 et 12 on indique la forme correcte des flammes. Si elles ne répondent pas à ce patron ou si vous n'êtes pas tout à fait sûr éteignez l'appareil et contactez votre fournisseur de gaz ou appelez Empire Comfort Systems Inc.

Avant de finir la maintenance périodique, vérifiez que la zone où se trouve l'équipe soit libre de matériaux combustibles, de l'essence, ou d'autres vapeurs ou liquides inflammables. Contrôlez aussi que le flux d'air d'évacuation et combustion autour de la carcasse d'évacuation dans l'extérieur de la construction ne soit pas obstrué.

**Note: contrôlez le fonctionnement correct de l'équipe après avoir fait la maintenance/service.**

## FAÇON DE COMMANDER LES PIÈCES DE RÉPARATION

Les pièces de rechange doivent être demandées uniquement à travers le personnel de service qui, en même temps, doit les demander au distributeur. Les pièces de rechange seront envoyées directement au personnel de service.

Toutes les pièces qui se trouvent dans la Liste de Pièces possèdent un Numéro de Pièce. Lorsque vous en demandez une, observez d'abord le Numéro de Modèle de votre équipe qui se trouve dans la plaque de caractéristiques. Ensuite déterminez le Numéro de Pièce (PAS le numéro d'index) et la Description correspondante qui peut être observée dans le dessin et la liste inclus dans les pages suivantes. N'oubliez pas de fournir l'information suivante:

Numéro du modèle du rechauffeur \_\_\_\_\_ Description de pièce \_\_\_\_\_

Numéro de série du rechauffeur \_\_\_\_\_ Numéro de pièce \_\_\_\_\_

Type de Gaz (Propane ou Naturel) \_\_\_\_\_

Ne demandez pas de vis, de rondelles, ou d'écrous. Ceux-ci sont des articles courants de quincaillerie qui s'obtiennent localement. Les envois retardés par des grèves, des incendies ou d'autres causes sont au-delà de notre contrôle.

**Empire Comfort Systems, Inc. Nine Eighteen Freeburg Ave. Belleville, IL 62222-0529**

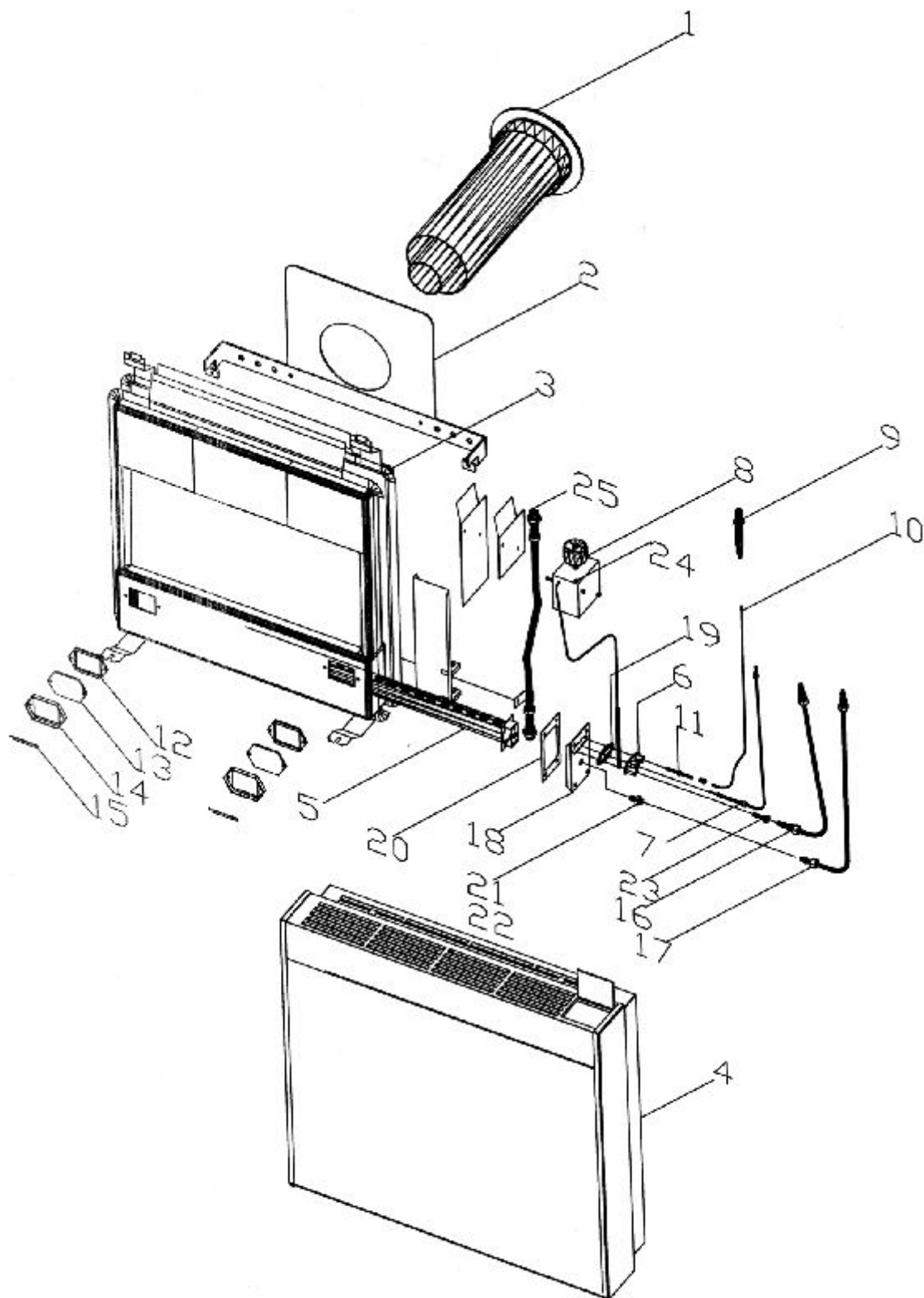
# LISTES DES PIÈCES

**S'il vous plaît noter:** Lorsque vous commandez les pièces, il est très important que le numéro de la pièce et la description coïncident.

**UTILISER SEULEMENT LES PIÈCES DE REMPLACEMENT DU FABRICANT. L'EMPLOI D'AUTRES PIÈCES PEUT CAUSER DES BLESSURES OU LA MORT.**

| No. | DESCRIPTION DE LA PIÈCE   | PIÈCES N° / MV 120 | PIÈCES N° / MV 130 | PIÈCES N° / MV 145 |
|-----|---|--------------------|--------------------|--------------------|
| 1a  | Ensemble d'évacuation (6" a 12" / 152 a 305 mm)                                     | SD43019400         | SD43018500         | SD43018400         |
| 1b  | Ensemble d'évacuation (12" a 18" / 305 a 460 mm)                                    | SD430194B0         | SD430185B0         | SD430184B0         |
| 2   | Support de mur  | SD44221800         | SD442202B0         | SD44326100         |
| 3   | Chambre de combustion   | SK00000047         | SK00000048         | SK00000049         |
| 4   | Carcasse  | SK00000050         | SK00000051         | SK00000052         |
| 5   | Brûleur principal   | SD44108300         | SD44107500         | SD43107900         |
| 6   | Brûleur veilleuse   | SD44105800         | SD44105800         | SD44105800         |
| 7   | Thermocouple  | SD44305500         | SD44305500         | SD44305500         |
| 8a  | Contrôle de gaz (Gaz Naturel)   | SD44177000         | SD44177000         | SD44177000         |
| 8b  | Contrôle de gaz (Gaz LP)  | SD44176900         | SD44176900         | SD44176900         |
| 9   | Allumeur piézo  | SD44175800         | SD44175800         | SD44175800         |
| 10  | Cable de piézo  | SD44120800         | SD44120800         | SD44120800         |
| 11  | Électrode de allumeur piézo   | SA00000263         | SA00000263         | SA00000263         |
| 12  | Joint de judas  | SD44107002         | SD44107002         | SD44107002         |
| 13  | Mica de judas   | SD44107100         | SD44107100         | SD44107100         |
| 14  | Cadre de judas  | SD44106900         | SD44106900         | SD44106900         |
| 15  | Miroir de judas   | SD44106801         | SD44106801         | SD44106801         |
| 16  | Connexion de veilleuse  | SK00000053         | SK00000053         | SK00000053         |
| 17  | Connexion de brûleur principal  | SK00000054         | SK00000054         | SK00000054         |
| 18  | Support de brûleur  | SD44106100         | SD44106100         | SD44106100         |
| 19  | Joint de veilleuse  | SD44158001         | SD44158001         | SD44158001         |
| 20  | Joint de brûleur principal  | SD44158102         | SD44158102         | SD44158102         |
| 21  | Orifice de brûleur (Gaz Naturel)  | SD44125400         | SD44125500         | SD443215A0         |
| 21  | Orifice de brûleur (Gaz LP)   | SD44125700         | SD44125200         | SD443215B0         |
| 22a | Orifices de brûleur pour altitudes entre<br>2000-4500 pieds (610-1370 m) (Gaz Nat.) | SD443332A0         | SD443332C0         | SD443215C0         |
| 22b | Orifices de brûleur pour altitudes entre<br>2000-4500 pieds (610-1370 m) (Gaz LP)   | SD443332B0         | SD443332D0         | SD443215D0         |
| 23a | Injecteur de veilleuse (Gaz Naturel)  | SD44111300         | SD44111300         | SD44111300         |
| 23b | Injecteur de veilleuse (Gaz LP)   | SD44132400         | SD44132400         | SD44132400         |
| 24a | Vis de débit minimum (Gaz Naturel)  | SD44131900         | SD44152900         | SD44152900         |
| 24b | Vis de débit minimum (Gaz LP)   | SD44131600         | SD44153000         | SD44153000         |
| 25  | Connexion de gaz  | SK00000055         | SK00000055         | SK00000055         |

# VUE DES PIÈCES



# DÉTECTION DES DÉFECTUOSITÉS

## SYMPTÔME 1: LA VEILLEUSE N'ALLUME PAS

**A. Le gaz n'est pas allumé où il y a de l'air dans le tuyau de gaz:** l'air attrapé dans le tuyau peut s'éliminer facilement en vis de débit minimum. Celle-ci est une vis en bronze placée dans la partie supérieure du contrôle de gaz situé à 1 heure en regardant vers le bas sur le bouton de contrôle. Dévissez-le complètement avec un petit tournevis. Tournez la poire à la position PILOT et faites pression sur elle jusqu'à ce que vous sentiez l'odeur à gaz qui sort à travers le trou de la vis. NOTE: TOUTE FLAMME ALLUMÉE DANS LA ZONE DOIT ÊTRE ÉTEINTE. Après avoir senti l'odeur à gaz, mettez de nouveau la vis et ajustez-la avec précision. Attendez 5 minutes pour que le gaz se dissipe. Allumez le réchauffeur.

**B. Le contrôle de gaz n'est pas fixé dans la position correcte:** dans les modèles MV 120 et MV 130, il peut être difficile d'observer l'indicateur de la position veilleuse/gaz. Notez qu'il y a une marque, dans la partie inférieure du contrôle de gaz située à 6 heures lorsque vous regardez vers le bas sur le contrôle.

Dans les modèles MV 145, il y a une marque dans le front de l'anneau qui se trouve autour de la poire.

**C. Le piézo n'engendre pas d'étincelle:** lorsque vous allumez la veilleuse, contrôlez à travers le judas qu'il se produise l'étincelle. Si celle-ci ne se produit pas, localiser le câble d'étincelle à l'électrode et vérifiez que les connexions soient correctement ajustées.

**D. L'injecteur de la veilleuse est obstrué:** nettoyez l'orifice de la veilleuse. Les orifices pour le gaz naturel sont suffisamment grands pour les nettoyer en soufflant à travers eux. Les orifices pour le gaz LP sont tellement petits, qu'il convient de les remplacer. N'essayez jamais d'agrandir le trou, ou d'utiliser un élément tranchant pour faire le nettoyage.

**E. Le régulateur de gaz est entravé dû à la haute pression:** réinitialiser le régulateur.

**F. L'électrode du piézo ou le câble de l'électrode sont endommagés:** changez-les.

## SYMPTÔME 2: LA VEILLEUSE NE RESTE PAS ALLUMÉE LORSQUE L'ON LÂCHE LE BOUTON

**A. La poire du contrôle de gaz n'est pas pressée le temps nécessaire:** Celui-ci doit être de 30 secondes minimum. Pendant l'allumage initial, ou après de longues périodes d'inactivité, la présence d'air dans le tuyau de gaz peut faire qu'un temps majeur de pression sur la poire soit nécessaire.

**B. La flamme de la veilleuse est très faible:** cela peut être dû à la présence de saleté ou à l'insuffisance de gaz. Pourtant, la veilleuse peut être ajustée en tournant la petite vis en bronze placée à gauche dans la partie frontale supérieure de la plaque du contrôle de gaz. Dévisser la vis dans le sens antihoraire augmentera la flamme de la veilleuse. La flamme de la veilleuse doit avoir contact avec le bout de la thermocouple, mais ne doit pas être excessivement longue. (Voir Instructions d'Allumage).

**C. La thermocouple ne marche pas:** la thermocouple est une sonde standard de 24 millivolts. Vérifiez son efficacité en la retirant de l'appareil et en assujettissant une trombonne crocodile dans le bulbe de contact magnétisé dans le bout

du contrôle de gaz de la thermocouple. Placez une autre trombonne crocodile dans la protection en cuivre proche au bout de la chaleur. Lorsque l'on expose ce bout à une flamme (par exemple d'une bougie), une bonne thermocouple devrait marquer 23-30 millivolts. Si cela n'arrive pas changez la thermocouple.

## SYMPTÔME 3: LE BRÛLEUR PRINCIPAL ALLUME PAS

**A. La veilleuse n'est pas allumée.**

**B. La température choisie est très basse ou la poire du contrôle de gaz se trouve dans la position PILOT.**

**C. La distribution de gaz est inadéquate:** contrôlez la pression de gaz.

**D. Le contrôle de gaz ne marche pas correctement:** changez-la.

## SYMPTÔME 4: LE BRÛLEUR PRINCIPAL NE RESTE PAS ALLUMÉ

**A. La température choisie est très basse.**

**B. Les tuyaux d'évacuation n'ont pas été coupés à la mesure correcte:** (le tuyau le plus grand ne s'ajuste pas sur le rebord extérieur). Le tuyau intérieur doit être au moins de 2''(50.8 mm) plus long que le tuyau extérieur pour maintenir la distribution d'air nécessaire pour la combustion. Si les deux tuyaux ont des longueurs similaires, la distribution d'air ne sera pas adéquate et les brûleurs ne resteront pas allumés. Les flammes qui se dressent du brûleur sont un symptôme d'évacuation inadéquate.

**C. La distribution de gaz est inadéquate.**

**D. Le bulbe capteur du thermostat est près d'une source externe de chaleur:** si le bulbe capteur du thermostat qui se trouve dans la partie inférieure du réchauffeur est trop près d'un panneau électrique, l'appareil constatera que la chambre est suffisamment chaude et les brûleurs ne s'allumeront pas.

**E. Le capuchon externe d'évacuation est sale ou obstrué:** toute saleté ou décombres qui s'accumule dans ou sur le capuchon d'évacuation interférera dans l'évacuation de l'appareil, et les brûleurs ne fonctionneront pas. L'équipe doit être convenablement aéré pour pouvoir fonctionner correctement.

## SYMPTÔME 5: LES CHAMBRES NE CONSERVENT PAS LA TEMPÉRATURE

**A. La température choisie est très basse ou la poire du contrôle de gaz se trouve dans la position PILOT.**

**B. L'appareil est trop petit pour réchauffer la chambre.**

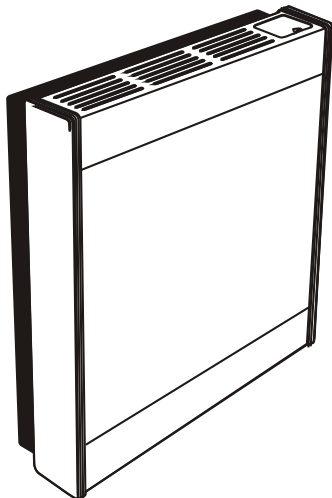
**C. La distribution de gaz est inadéquate.**

**Note:** pour chaque problème (1 à 5), les causes possibles définies se trouvent en ordre de probabilité d'apparition.





# INSTRUCCIONES DE INSTALACIÓN Y MANUAL DEL PROPIETARIO



## CALENTADOR DE PARED DE VENTILACIÓN DIRECTA

**MODELOS**  
MV 120  
MV 130  
MV 145



**FECHA DE VIGENCIA**  
**ABRIL, 2004**

**ADVERTENCIA:** si la información de este manual no es seguida exactamente, pueden provocarse un incendio o una explosión, ocasionando daño de propiedad, daño personal o pérdida de vida.

- No almacene o use gasolina u otros líquidos o vapores combustibles en la vecindad de éste o ningún otro aparato.
- **QUÉ HACER SI UD. HUELE GAS**
  - No trate de encender ningún aparato.
  - No toque ningún interruptor eléctrico; no use ningún teléfono en su edificio.
  - Inmediatamente llame a su proveedor de gas desde el teléfono de un vecino. Siga las instrucciones del proveedor de gas.
  - Si Ud. no puede contactar a su proveedor de gas, llame al Departamento de Bomberos.
- La instalación y el servicio deben ser efectuados por un instalador calificado, agencia de servicio o el proveedor de gas.

Este aparato puede instalarse en una casa ya instalada para vivienda, prefabricada (sólo en EE. UU.) o móvil, siempre que sea permitido por las normas locales. Este aparato únicamente puede usarse con el tipo de gas indicado en la placa de características. Este aparato no debe convertirse a otro tipo de gas, salvo que se utilice un conjunto certificado.

**ADVERTENCIA:** Si no se instala, opera o mantiene según las instrucciones del fabricante, este producto podría exponerlo a sustancias del combustible o de la combustión que pueden ocasionar muerte o enfermedad seria.

# INDICE DE CONTENIDO

| SECCIÓN  | PÁGINA |
|--|--------|
| Información Importante de Seguridad .....                            | 3      |
| Información de Seguridad para Usuarios de Gas Propano (LP) .....     | 4      |
| Introducción .....   | 5      |
| Especificaciones .....   | 5      |
| Abastecimiento de Gas .....  | 6      |
| Espacios Libres .....  | 7-8    |
| Instrucciones de Instalación .....                                   | 8-10   |
| Instrucciones de Encendido .....                                     | 11     |
| Llama Correcta del Piloto .....                                      | 12     |
| Llama Correcta del Quemador Principal .....                          | 12     |
| Mantenimiento del Aparato .....                                      | 12-13  |
| Cómo Solicitar Partes de Repuesto .....                              | 13     |
| Lista de Partes .....  | 14     |
| Vista de Partes .....  | 15     |
| Información de Reparación para Personal Calificado de Servicio ..... | 16     |

# INFORMACIÓN IMPORTANTE DE SEGURIDAD

**ESTE ES UN APARATO DE CALEFACCIÓN**  
NO OPERE ESTE APARATO SIN EL PANEL FRONTAL INSTALADO.

- Debido a las temperaturas elevadas, el aparato debe ubicarse fuera del tránsito y lejos de muebles y tapizados.
- Niños y adultos deben ser alertados acerca del peligro de la temperatura elevada de la superficie del aparato y deben permanecer alejados para evitar ignición de ropa o quemaduras.
- Los niños pequeños deben ser cuidadosamente supervisados cuando estén en la misma habitación en que está instalado el aparato.
- La ropa u otros materiales inflamables no deben colocarse encima o cerca de este aparato.
- Cualquier pantalla de seguridad o panel que sea retirado para realizar el servicio del equipo debe ser reinstalado antes de operar nuevamente el aparato.
- Mantenga limpios el compartimiento de control y el quemador.
- El sombrerete de ventilación se encuentra a elevada temperatura cuando el equipo está en funcionamiento.
- La instalación y la reparación debe ser realizada por una persona de servicio calificada. El aparato debe ser chequeado antes del uso y por lo menos anualmente por una persona de servicio calificada. Una limpieza más frecuente puede requerirse debido a pelusas de alfombra, materiales de cama, etc. Es imperativo que los compartimientos de control, quemadores y conductos de aire del aparato se mantengan limpios.
- **NO** coloque nada alrededor del aparato que pueda obstruir el flujo de aire de combustión y de ventilación.
- **MANTENGA** el área de este aparato libre de material de combustión, gasolina o de otros vapores o líquidos inflamables.
- **EXAMINE** el sistema de ventilación periódicamente y sustituya las partes dañadas.
- **REALICE** inspecciones visuales periódicas del piloto y los quemadores. Limpie y remplace cualquier parte dañada.
- **PRECAUCIÓN:** la cubierta del agujero del piloto debe mantenerse firmemente cerrada durante la operación.
- **NO USE** este aparato si alguna parte ha estado bajo el agua. Inmediatamente llame a un técnico de servicio calificado para que chequee el calentador y para reemplazar cualquier parte del sistema de control y cualquier control de gas que haya estado bajo el agua.

# INFORMACIÓN DE SEGURIDAD PARA USUARIOS DE GAS PROPANO (LP)

El gas propano (LP-GAS) es un gas inflamable que puede causar incendios y explosiones. En su estado natural, el propano (LP) no tiene olor ni color. Puede ser que Usted no conozca las siguientes precauciones que pueden prevenirlo, junto con su familia, de un accidente. Léelas atentamente ahora, luego revíselas nuevamente, punto por

punto con los miembros de su familia. Algún día, cuando no tenga un minuto que perder, la seguridad de todos dependerá de saber exactamente qué hacer. Si después de leer la siguiente información, siente que es insuficiente, por favor contacte a su proveedor de gas.

## PRECAUCIÓN CON EL OLOR DEL PROPANO (LP-GAS)

Si ocurriera una fuga de gas, Usted puede olerla ya que al gas propano se le agrega una sustancia que hace que sea perceptible por medio del olfato. ¡Esta es la señal para tomar una acción inmediata!

- No opere tomacorrientes eléctricos, no encienda fósforos, no use el teléfono. No haga nada que pueda encender el gas.
- Saque a todas las personas afuera del edificio o área. Haga esto inmediatamente.
- Cierre todas las válvulas del tanque de gas o del tubo de suministro.
- El gas propano es más pesado que el aire y se puede estacionar o quedar suspendido en áreas inferiores, como sótanos. Cuando Ud sospeche que exista una fuga de gas, manténgase alejado de sótanos u otras áreas inferiores.

Permanezca afuera hasta que los bomberos las hayan declarado fuera de peligro.

- Use el teléfono de su vecino y llame a un servicio calificado o al departamento de bomberos. Aún cuando Usted deje de oler a gas no abra de nuevo el suministro. No entre al edificio o al área.
- Finalmente, deje que su servicio y los bomberos verifiquen la fuga de gas. Solicítele que aireen el área antes de reingresar. La fuga debe ser reparada por servicios calificados, que luego deben verificar y encenderle su calentador.

## EL OLOR NO SE DETECTA - EL OLOR DESAPARECE

Algunas personas no pueden oler bien. Algunas personas no pueden sentir el olor a la sustancia que se le agrega al gas. Ud debe averiguar si puede percibir el olor a gas propano (LP). El fumar puede afectar su habilidad para oler bien. Permanecer cerca del olor puede afectar su sensibilidad para distinguirlo. A veces otros olores en el ambiente enmascaran el olor a gas. La gente puede no sentir el olor a gas o sus mentes pueden estar ocupadas con otros asuntos. Pensar en sentir el olor a gas puede facilitar su percepción.

El olor en el gas propano (LP Gas) no contiene color y puede desaparecer en algunas circunstancias. Por ejemplo, si existiera una fuga bajo tierra, el movimiento del gas a través del suelo puede filtrar el aroma. El olor a gas propano también

puede oxidarse. Esta desaparición del olor puede ocurrir en caso de que existiera herrumbre dentro del tanque de depósito o en la tubería de gas.

El olor a gas puede absorberse en paredes, pisos u otros materiales y telas presentes en el ambiente. Estos pueden tomar el olor del gas, lo que reduciría su intensidad.

El gas LP puede estratificarse en un área cerrada, y la intensidad de su olor puede variar en diferentes niveles. Al ser más pesado que el aire, puede haber mayor olor en niveles inferiores. Manténgase siempre atento al menor olor a gas. Si detecta olor a gas, considérela una fuga. Inmediatamente actúe de acuerdo a lo indicado anteriormente.

## DATOS PARA RECORDAR

- **Aprenda a reconocer el olor a gas propano (LP).** Su proveedor local puede darle un folleto para "raspar y oler". Úselo para conocer el olor a gas propano. Si Usted cree que su aparato tiene un olor a propano débil o anormal, llame a su proveedor local de gas.
- Si Usted no está calificado, no encienda la llama del piloto, no efectúe el servicio y no realice ajustes en aparatos de LP gas. Si Usted está calificado, conscientemente piense en el olor a gas antes y durante el encendido de la llama del piloto o cuando efectúe el servicio o ajustes.
- A veces el sótano o una casa que ha permanecido cerrada tienen olor a humedad que puede ocultar el olor a gas LP. No trate de encender la llama del piloto, o de darle servicio al aparato, o de realizar ajustes en un área donde las condiciones sean tales que Usted no pueda detectar el olor si existiera una pérdida de gas LP.
- El olor puede disiparse debido a la oxidación por herrumbre o por absorción de paredes de tubos y tanques nuevos. Por consiguiente, las personas deben estar bien alertas y precavidas cuando los tubos y tanques se ponen en servicio. La disipación del olor puede ocurrir en tanques nuevos o en tanques viejos recién instalados, si fueran llenados y esta-

cionados demasiado tiempo antes de ser rellenos. Tubos y tanques que hayan estado fuera de servicio por algún tiempo pueden desarrollar herrumbre interna que puede provocar disipación del olor. Si se sospecha que existe esta condición, es recomendable olfatear periódicamente. Si tiene alguna duda acerca del olor a gas, consulte con su proveedor de gas LP. Un olfateo periódico es una buena medida en estas condiciones.

- Si, en algún momento Usted no huele el olor del gas LP, y considera que debería olerlo, asuma que tiene una fuga de gas. Actúe inmediatamente según se recomienda en esta sección.
- Si sufre una falta total de gas (el tanque no tiene presión), cierre la válvula del mismo inmediatamente. Si la válvula del tanque se ha dejado abierta, éste puede haber chupado aire a través de aberturas, como el orificio de la llama del piloto. Si esto ocurriera, se podría haber producido herrumbre interna. Si la válvula se ha dejado abierta, asuma que el tanque está como nuevo. Asegúrese siempre que su tanque esté sometido a presión de vapor, cerrando su válvula antes de que se vacíe completamente o rellenándolo antes de que esté completamente vacío.

# INTRODUCCIÓN

## Introducción

Consulte siempre a su Departamento Local de Construcción respecto a las regulaciones, códigos u ordenanzas que se aplican a la instalación de un calentador de ambiente.

## Instrucciones para el Instalador

1. El instalador debe dejar el manual de instrucciones al propietario luego de la instalación.
2. El instalador debe hacer que el propietario complete la tarjeta de garantía que se incluye con el calentador y que la envíe por correo.
3. El instalador debe mostrarle al propietario cómo encender y operar el calentador de ambiente y el termostato.

**Advertencia: Cualquier cambio que se efectúe a este calentador o a sus controles puede ser peligroso. Cualquier pantalla de seguridad que se desmonte para efectuar el servicio del aparato debe ser reemplazada antes de volver a operar el calentador.**

## Información General

Esta familia de calentadores y su diseño están certificados de acuerdo con el American National Standard/CSA Standard Z21.86b y la CSA 2.32b-2002 por la Canadian Standard Association, como una estufa de pared de gravedad para ser instalada en una pared externa de acuerdo a estas instrucciones.

**Cualquier cambio de diseño, instalación diferente a la que se muestra en estas instrucciones o uso con otro tipo de gas que no se mencione en la placa de características es de la responsabilidad de la persona o compañía que realice el cambio.**

## Importante

Toda correspondencia debería referirse al número de modelo completo, número de serie y tipo de gas.

**Aviso:** Durante el encendido inicial de esta unidad, la pintura se horneará y aparecerá humo. Para evitar que se active la alarma de humo, ventile el cuarto donde se usará este aparato.

## Instalación en Cocheras Residenciales

Cualquier aparato que utilice gas en cocheras residenciales puede ser instalado siempre y cuando todos los quemadores y sus aparatos de encendido sean ubicados a 18" (457 mm) del piso. Dicho aparato debe ser ubicado, o protegido, contra un posible daño físico producido por un vehículo en movimiento.

## Agencia Calificada de Instalación

La instalación y remplazo de tuberías de gas, equipo para la utilización de gas o accesorios, y reparación o mantenimiento de equipo debe ser efectuado únicamente por una agencia calificada. El término "agencia calificada" significa cualquier individuo, firma, corporación, o compañía que en persona o través de un representante se encargue o sea responsable por (a) la instalación o remplazo de tubería de gas o (b) la conexión, instalación, reparación, o servicio del equipo, el cual tiene experiencia en este tipo de trabajo y tiene conocimiento de todas las precauciones requeridas, y ha cumplido con todos los requerimientos de las autoridades jurídicas del caso.

Esta instalación debe concordar con los códigos locales. En ausencia de códigos locales, la instalación debe concordar con el National Fuel Gas Code ANSI Z223.1/NFPA 54\* Natural Gas y con el Propane Installation Code, CSA B149.1.

*\*Publicada por la American National Standards Institute, Inc., 11 West 42nd St., New York, NY 10036.*

## Altitudes Elevadas

Cuando las altitudes superen los 2,000 pies (610 m), la capacidad de entrada debe reducirse 4% por cada 1,000 pies (305 m) de altura sobre el nivel del mar. Para Altitudes Elevadas en Canadá en ubicaciones con una altitud superior al promedio del nivel del mar entre 2,000 pies (610 m) y 4,500 pies (1370 m), deben utilizarse los orificios indicados en la siguiente tabla:

| MOD    | 0-2000 pies (0-610 m) |                 | 2000-4500 pies (610-1370 m) |                 |
|--------|-----------------------|-----------------|-----------------------------|-----------------|
|        | NG                    | LPG             | NG                          | LPG             |
| MV 120 | 0.053"(1.35 mm)       | 0.035"(0.88 mm) | 0.050"(1.27 mm)             | 0.033"(0.83 mm) |
| MV 130 | 0.070"(1.77 mm)       | 0.043"(1.10 mm) | 0.066"(1.67 mm)             | 0.041"(1.03 mm) |
| MV 145 | 0.077"(1.95 mm)       | 0.053"(1.35 mm) | 0.072"(1.83 mm)             | 0.050"(1.27 mm) |

# ESPECIFICACIONES

| Modelo   | MV 145          | MV 130          | MV 120          |
|--|-----------------|-----------------|-----------------|
| Consumo BTU/HR (KW)                                | 20,000 (5.81)   | 14,000 (4.07)   | 8,400 (2.44)    |
| Consumo Mínimo BTU/HR (KW)                         | 6,900 (2.00)    | 6,000 (1.74)    | 3,800 (1.10)    |
| Índice de Eficiencia* (%)                          | 72%             | 72%             | 72%             |
| Altura (pulgadas / mm)                             | 24.4 / 620      | 24.4 / 620      | 24.4 / 620      |
| Ancho (pulgadas / mm)                              | 27.3 / 688      | 27.3 / 688      | 21.2 / 538      |
| Profundidad (pulgadas / mm)                        | 6.75 / 170      | 6.75 / 170      | 6.75 / 170      |
| Entrada de Gas                                     | 3/8" NPT        | 3/8" NPT        | 3/8" NPT        |
| Diámetro de Entrada de Ventilación (pulgadas / mm) | 6 1/4" (160 mm) | 4 3/4" (121 mm) | 3 9/16" (90 mm) |
| Diámetro de Salida de Ventilación (pulgadas / mm)  | 3 1/2" (89 mm)  | 2 5/8" (67 mm)  | 2 1/8" (54 mm)  |

\*El índice de eficiencia del equipo es una eficiencia térmica del producto determinada en condiciones de operación continua e independientemente de cualquier instalación específica.

# ABASTECIMIENTO DE GAS

## Ubicación del Suministro de Gas

La línea de gas puede entrar al aparato ya sea a través del piso o de la pared. El agujero para la línea de gas debe hacerse en este momento. La ubicación del agujero debe determinarse considerando la posición de las vigas y la válvula y la unión usada para su servicio.

### Diámetro Recomendado de Tubería

| Longitud de Tubería (Pies) | Diámetro Interno |        | Diámetro Externo Tubo Tipo L |        |
|----------------------------|------------------|--------|------------------------------|--------|
|                            | Nat.             | L.P.   | Nat.                         | L.P.   |
| 0 - 10                     | 1/2"             | 3/8"   | 1/2"                         | 3/8"   |
|                            | 1.3 cm           | 1.0 cm | 1.3 cm                       | 1.0 cm |
| 10 - 40                    | 1/2"             | 1/2"   | 5/8"                         | 1/2"   |
|                            | 1.3 cm           | 1.3 cm | 1.6 cm                       | 1.3 cm |
| 40 - 100                   | 1/2"             | 1/2"   | 3/4"                         | 1/2"   |
|                            | 1.3 cm           | 1.3 cm | 1.9 cm                       | 1.3 cm |
| 100 - 150                  | 3/4"             | 1/2"   | 7/8"                         | 3/4"   |
|                            | 1.9 cm           | 1.3 cm | 2.2 cm                       | 1.9 cm |

**Nota:** Nunca use tubería de plástico. Averigüe si los códigos locales permiten usar tubo galvanizado o de cobre.

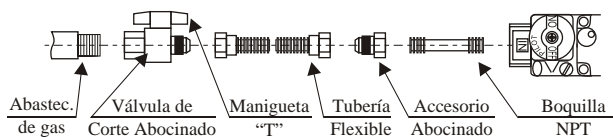
**Nota:** Como algunas municipalidades poseen códigos locales adicionales, siempre es mejor consultar los códigos y autoridades locales.

Se recomienda utilizar una de las siguientes normas de gas:

- ANS Z21.24 Appliance Connectors of Corrugated Metal Tubing and Fittings
- ANS Z21.45 Assembled Flexible Appliance Connectors of Other Than All-Metal Construction

Las normas mencionadas arriba pueden ser usadas siempre que sean aceptadas por las autoridades locales. El estado de Massachusetts requiere que el conector flexible del aparato no exceda tres pies de longitud.

### CONEXIÓN DE LÍNEA DE GAS FLEXIBLE



### CONEXIÓN DE LÍNEA DE GAS RÍGIDA

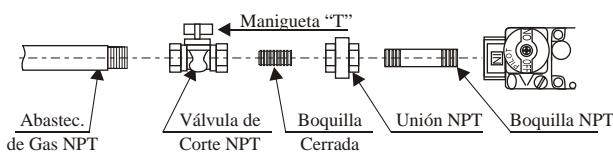


Figura 1

Consulte el presente código de instalación National Fuel Gas Code, ANSI Z223.1 CAN/CGA-B149 (.1 or .2).

### Instalación de una Nueva Llave para la Válvula

Cada aparato debe tener su propia llave manual de gas. En el estado de Massachusetts la llave manual de gas debe ser tipo manigueta "T". La llave manual de gas debe estar ubicada próxima al aparato. Cuando no existiera esta llave o cuando su tamaño o ubicación no sean adecuados, contacte a un instalador local autorizado para su instalación o reubicación.

Los componentes usados en juntas de rosca para tubería de gas deben ser resistentes a la acción de gases licuados derivados del petróleo. Un instalador debe controlar la existencia de fugas en la línea de gas: se debe colocar una solución de agua jabonosa sobre las conexiones expuestas, la presencia de burbujas indica una pérdida de gas; si las conexiones no están expuestas, se debe realizar una prueba de presión de gas. **Nunca use una llama expuesta para inspeccionar las fugas. El aparato debe desconectarse de la tubería a la salida de la válvula y sellarse cuando se pruebe la presión de gas. ¡Nunca pruebe la presión de gas estando el calentador conectado; la válvula se dañará!**

Se deben instalar en la línea de gas (aguas arriba de la válvula) una unión de válvula de gas y una conexión a tierra, para ayuda durante el servicio. Se requiere, según el National Fuel Gas Code que una purga sea instalada cerca de la salida de gas. Esta debe consistir en una tubería vertical "T" conectada a la línea de gas sellada en el fondo, donde pueden acumularse condensación o partículas externas.

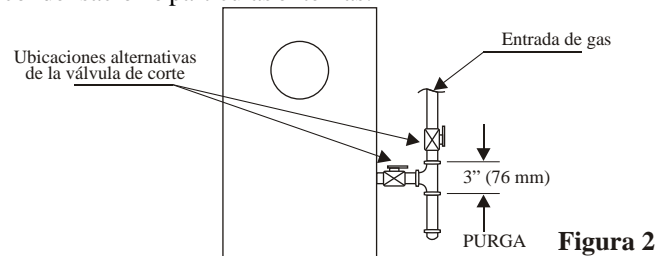


Figura 2

### Prueba de Presión del Sistema de Gas

1. Para inspeccionar la presión de entrada de la válvula de gas, debe colocarse un tapón sellado (de 1/8" - 3mm NPT accesible para la conexión del manómetro) inmediatamente aguas arriba de la conexión del suministro de gas del aparato.
2. El artefacto con su válvula deben desconectarse del sistema de tubería de suministro de gas durante la prueba de presión del sistema si esta presión excede 1/2 psig (3.5 kPa).
3. El artefacto debe aislarse del sistema de tubería de suministro de gas cerrando la válvula manual durante cualquier prueba de presión si esta presión es igual o menor que 1/2 psig (3.5 kPa).

**Atención!** Si alguno de los procedimientos anteriores resulta en un exceso de presión de 1/2 psig (14" w.c.) (3.5 kPa) en la válvula del aparato, esto causará condiciones de peligro.

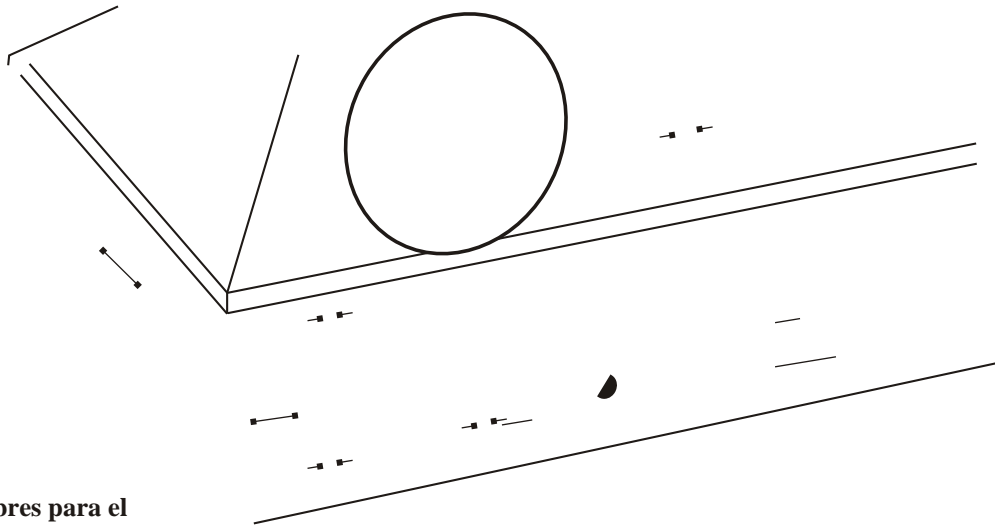
### Inspección de la Presión de Consumo

Todos los artefactos tienen un regulador de presión incorporado en la válvula. Modelos para gas natural tienen una presión de consumo de aproximadamente 4.0" w.c. (0.996 kPa) para MV120 y 130 ó 6.0" w.c. (1.494 kPa) para MV145 a la salida de la válvula con una presión de entrada de la válvula de un mínimo de 5.0" w.c. (1.245 kPa) para MV120 y 130 ó 7.0" w.c. (1.742 kPa) para MV145 con el propósito de ajuste de entrada a un máximo de 10.5" w.c. (2.61 kPa). Modelos para gas propano tienen una presión de consumo de aproximadamente 10.0" w.c. (2.49 kPa) a la entrada de la válvula, con una presión de entrada a la válvula de un mínimo de 11.0" w.c. (2.739 kPa) con el propósito de ajuste de entrada a un máximo de 13.0" w.c. (3.237 kPa). Un tapón de 1/8" (3mm) N.P.T. accesible para el manómetro de presión de gas está localizado al lado, a la salida de la válvula de gas.

# ESPACIOS LIBRES

1. Cuando se seleccione una ubicación para la instalación, es necesario proveer accesibilidad suficiente para su servicio y correcta instalación. Para esto se deben dejar libres por lo menos 6" (152 mm) entre el aparato y la pared en el lado derecho y, 4" (101 mm), en el lado izquierdo.
2. El aparato debe fijarse a la pared mediante un soporte.
3. El espacio mínimo de la carcasa a la pared es de 36" (914 mm) hacia arriba, 4" (102 mm) hacia cada lado y 4" (102 mm) desde el piso o alfombra, azulejo u otro material de piso y 0" (0 mm) a la pared trasera.
4. La distancia mínima desde el centro del casco de ventilación a la esquina exterior más cercana es de 16" (407 mm).
5. La profundidad de pared mínima de los MV 120, MV 130 y MV 145 es de 4 1/2" (114 mm) y la máxima es 12" (305 mm). El uso de tubos no provistos por el fabricante produciría una operación insatisfactoria.

La terminal de ventilación de un calentador de ventilación



Espacios libres para el terminal de ventilación

directa con un flujo interno de 10,000 Btu/h (3 kW/h) o menos debe ubicarse a por lo menos 6" (150 mm) de cualquier abertura a través de la cual los gases producidos por la combustión puedan ingresar en un edificio; para equipos de hasta 50,000 BTU/h (14.6 KW/h) esta distancia debe ser por lo menos de 9" (229 mm). La parte inferior de la terminal de ventilación junto con el tubo para la entrada de aire deben instalarse a por lo menos 12" (305mm) del nivel más alto del suelo y de cualquier pendiente.

**ADVERTENCIA: El punto más cercano del casco de ventilación debe estar a una mínima distancia horizontal de 6 pies (1.83m) de cualquier regulador de presión o medidor de gas. En caso de mal funcionamiento del regulador, esta distancia de 6 pies (1.83m) reducirá las posibilidades de que el gas ingrese por el casco de ventilación.**

Figura 3

# ESPACIOS LIBRES (cont.)

|   | INSTALACIONES EN CANADÁ <sup>1</sup>  | INSTALACIONES EN EE. UU. <sup>2</sup>   |
|---|---|---|
| <b>J</b> = espacio libre a entrada de aire no mecánica del edificio o a entrada de aire de combustión de otro aparato | 6" (15 cm) para equipos ≤ 10,000 Btu/h (3 kW), 12" (30 cm) para equipos > 10,000 Btu/h (3 kW) y ≤ 100,000 Btu/h (30 kW) | 6" (15 cm) para equipos < 10,000 Btu/h (3 kW), 9" (23 cm) para equipos > 10,000 Btu/h (3 kW) y < 50,000 Btu/h (15 kW) |
| <b>K</b> = espacio libre a entrada de aire mecánica   | 6 pies (1.83 m)   | 3 pies (91 cm) arriba, hasta 10 pies (3 m) horizontalmente  |
| <b>L</b> = espacio libre sobre acera pavimentada o camino pavimentado ubicado en propiedad pública                    | 7 pies (2.13 m) <sup>3</sup>  | espacios libres de acuerdo a los códigos locales de instalación y a los requerimientos del proveedor de gas           |
| <b>M</b> = espacio libre bajo veranda, porche, entarimado o balcón  | 12" (30 cm) <sup>4</sup>  |   |

1 De acuerdo con el actual CSA B149.1, *Natural Gas and Propane Installation Code*.

2 De acuerdo con el actual ANSI Z223.1/NFPA 54, *National Fuel Gas Code*.

3 La ventilación no debe terminar directamente sobre una acera o camino pavimentado que está

ubicado entre dos viviendas familiares y sirve a ambas viviendas.

4 Permitido sólo si veranda, porche, entarimado o balcón están completamente abiertos por lo menos en dos lados bajo el piso.

# INSTRUCCIONES DE INSTALACIÓN

## Ubicación del Aparato

El aparato debe ubicarse en una pared externa de la habitación a calefaccionar. Al elegir la ubicación para la estufa recuerde que la ventilación provista con la unidad debe ser instalada sin ninguna alteración, a excepción del corte de los tubos y la aislación en el largo, como se indica en estas instrucciones. El casco exterior debe estar nivelado con la pared, por lo que se sugiere elegir una superficie exterior relativamente lisa.

Como el equipo es de ventilación directa, todos los gases de combustión son eliminados fuera de la construcción, por lo que no se requieren en ella especiales consideraciones para la combustión. Una vez que esté seguro que la ventilación cumplirá con las condiciones de espacios libres detalladas anteriormente, debe ubicar el aparato en la pared interior de la habitación a calefaccionar. Comience la instalación localizando los tirantes en la pared interior del ambiente. Busque la línea media entre los travesaños donde desea montar el equipo.

## Ubicación de la Abertura en la Pared

Junto con el equipo se entrega una plantilla en escala real que muestra las aberturas de la ventilación y de la entrada de gas y los orificios de montaje. Ubique la plantilla sobre la pared de forma tal que el agujero para la ventilación quede entre los travesaños. En el caso del MV 130, por ejemplo, los orificios del soporte se encuentran sobre los tirantes (16" / 406 mm, en el centro). **NO CORTE LOS TIRANTES PARA INSTALAR EL EQUIPO.** Posicione el borde inferior de la plantilla sobre el piso.

**Nota:** la figura 4 muestra las dimensiones necesarias para montar el aparato en el caso de que la plantilla no pueda ser utilizada o se haya perdido.

## Instalación de la Unidad

Asegúrese de que la ubicación elegida para la estufa cumple con los requisitos para instalación detallados anteriormente.

Este equipo no debe ser conectado a un conducto de chimenea

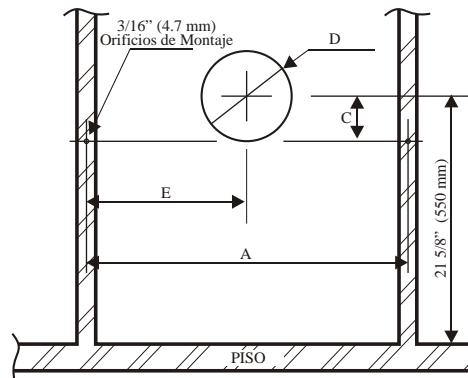


Figura 4

| MOD    | A                | C               | D               | E               |
|--------|------------------|-----------------|-----------------|-----------------|
| MV 120 | 10 1/4" (260 mm) | 4 1/4" (108 mm) | 5 1/2" (140 mm) | 6 1/8" (155 mm) |
| MV 130 | 16" (406 mm)     | 4 1/4" (108 mm) | 6 3/4" (171 mm) | 9" (230 mm)     |
| MV 145 | 16" (406 mm)     | 3 3/4" (98 mm)  | 8 1/2" (216 mm) | 9" (230 mm)     |

utilizado para un equipo separado de combustible sólido.

## Corte del Agujero de Ventilación

Comience la instalación localizando los tirantes dentro de la pared. Ubique la línea media entre los tirantes donde se va a instalar el aparato. En la figura 5 se muestra una vista lateral de la instalación del equipo. Este aparato está certificado para su instalación en paredes de hasta 12" (305 mm) de espesor. El conjunto de ventilación que se entrega con la unidad se adapta a paredes de este espesor como máximo.

Con la plantilla extendida y nivelada sobre la pared interior, marque la ubicación de la abertura de ventilación, de los orificios para montar el soporte y del orificio para el suministro de gas (si es que se colocará a través de la pared). Si se desea (y de acuerdo con los códigos de construcción y de plomería locales) el suministro de gas para el aparato puede instalarse bajo el piso de la habitación.

Retire la plantilla de la pared y con un taladro de mecha larga realice un agujero pasante de pared interior a exterior, en el centro de la abertura para la ventilación. Marque la abertura para ventilación, en el diámetro indicado, en ambas paredes y córtelas. El diámetro del agujero debe ser aproximadamente



# INSTRUCCIONES DE INSTALACIÓN (cont.)

1" a 2" (26 a 52 mm, según el modelo) más grande que el del tubo de ventilación incluyendo la aislación.

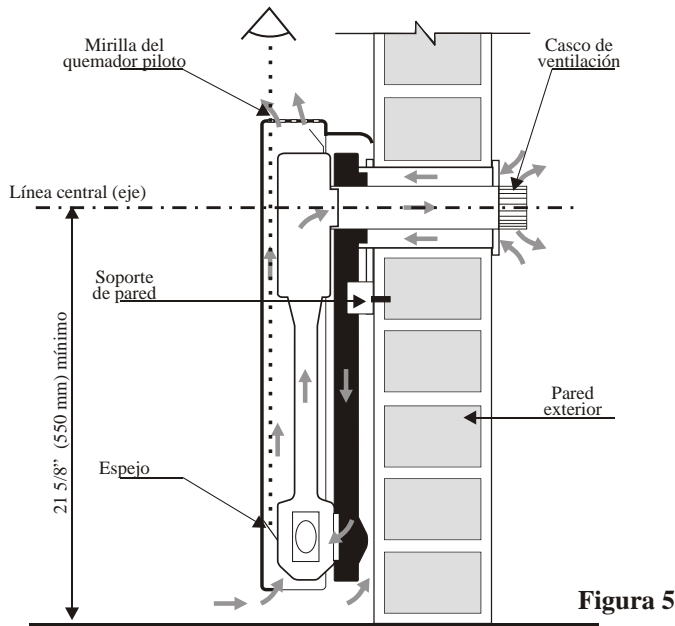


Figura 5

Asegúrese que los dos agujeros, interior y exterior, son concéntricos. Utilice para esto un nivel de carpintero y una escuadra. Si la abertura en la pared exterior es mayor que la de la interior, podría ingresar agua (de lluvia o aspersores) dentro del casco de ventilación y deslizarse dentro del calentador, provocando su oxidación.

Si el casco de ventilación va a ser instalado sobre pared de tablas o piedra, o si una saliente a menos de 6" (152.4 mm) de la sección de ingreso de aire puede obstruir la entrada de aire, la ventilación deberá ser alejada de la pared como se muestra en la figura 6.

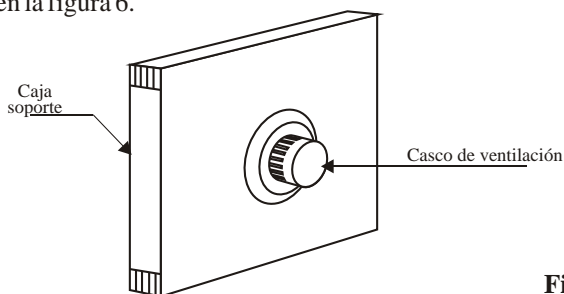


Figura 6

Consulte al Departamento de Repuestos por el conjunto soporte de separación.

**Nota:** la ventilación del modelo MV 145 posee tubos descentrados y debe ser instalada en una determinada posición. Asegúrese que la flecha grabada en el anillo se encuentre hacia arriba. De lo contrario, será imposible conectar el tubo interior de ventilación al aparato.

## Marca y Corte de los Tubos de Ventilación

Desde el exterior del edificio introduzca el conjunto ventilación a través del orificio hasta que la pestaña haga tope con la pared exterior y fije el cabezal a la pared utilizando de

los 4 tornillos provistos con la unidad y los orificios preparados en la pestaña del cabezal de ventilación.

Una vez asegurado que el cabezal de ventilación está ajustado a la pared exterior trace una línea alrededor del tubo de ventilación en el lugar donde este asoma a través de la pared interior. (Nota: esta línea sólo marca el punto donde el tubo asoma a través de la pared. No es donde usted cortará los tubos.)

Retire de la pared el conjunto ventilación. Mida 7/16" (11 mm) desde la línea que recién ha trazado hacia el extremo abierto del tubo y haga una marca.

Marque varios puntos alrededor de la aislación del tubo a esta distancia de 7/16" (11mm) y luego pegue una cinta de papel alrededor del tubo para asegurar un corte parejo.

Utilice una cuchilla filosa para cortar sólo la aislación y su revestimiento y una sierra o tijeras de hojalatero para cortar el tubo de mayor diámetro por la línea marcada por el borde del papel.

Corte una línea derecha y uniforme en el tubo exterior, asegurándose de no aplastar o deformar al tubo. **Es muy importante que este corte sea parejo y derecho para que el calentador funcione adecuadamente.**

En los calefactores MV120 y MV130 usted debe proceder ahora a cortar nuevamente la aislación por la línea trazada originalmente (línea nivelada con la pared interior, 7/16" atrás del nuevo extremo del tubo) (ver Figura 7).

En los calefactores MV145 usted debe proceder a cortar el extremo inferior de la aislación (sólo esta zona, no la circunferencia completa) para permitir que la ventilación atraviese la barra del conjunto de fijación mural. Corte de acuerdo al siguiente dibujo:

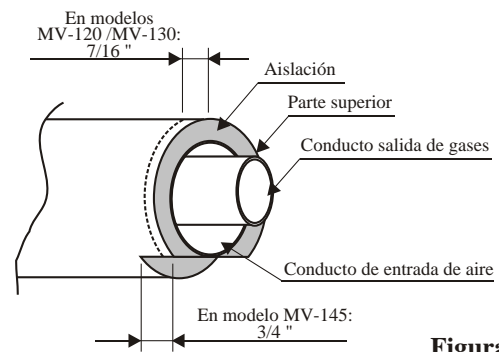


Figura 7

Mida ahora 2" (50.8 mm) desde el borde cortado del tubo de mayor diámetro y marque en el conducto interior. Asegúrese que el tubo interior esté uniformemente marcado de forma que sea 2" (50.8 mm) más largo que el tubo de mayor diámetro al cortarlo. El tubo interior debe ser cortado con una sierra.

**Recuerde retirar al conjunto ventilación de la pared para cortar los tubos.**

## Instalación del Conjunto de Ventilación y de la Placa de Soporte Mural

En caso que la pared exterior sea de tejas de madera, rústica

den  
d.

se encuentra  
gabinete y de

# INSTRUCCIONES DE ENCENDIDO

## PARA SU SEGURIDAD, LEA ANTES DE ENCENDER

**ADVERTENCIA:** Si Ud no sigue exactamente estas instrucciones, puede provocarse un incendio o explosión, causando daño a la propiedad, lesión personal o pérdida de vida.

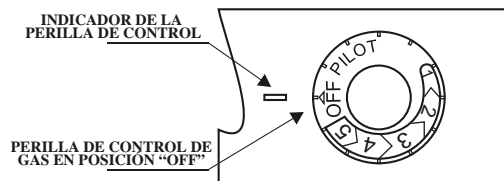
- A. El piloto de este aparato debe encenderse manualmente. Al encenderlo siga exactamente estas instrucciones.
- B. ANTES DE ENCENDER, huela alrededor del área donde se ubique el calentador para verificar si hay olor a gas. Asegúrese de oler cerca del piso, ya que algunos gases son más pesados que el aire y se intensifican a ese nivel.

### QUÉ HACER SI HUELE A GAS

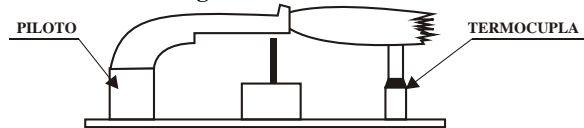
- No encienda ningún aparato.
  - No toque ningún interruptor eléctrico; no use ningún teléfono en su edificio.
  - Inmediatamente llame, desde el teléfono de un vecino, a su proveedor de gas y siga las instrucciones que éste le indique.
  - Si no puede comunicarse con su proveedor de gas, llame al Departamento de Bomberos.
- C. Use sólo sus manos para apretar o girar la perilla de control de la válvula. Nunca use herramientas. Si la perilla no se moviera hacia adentro al apretarse o no girara, no trate de repararla: llame a un técnico calificado de servicio. Forzarla o intentar repararla podrían causar un incendio o explosión.
- D. No use este calentador si alguna de sus partes se ha mojado. Inmediatamente llame a un técnico calificado de servicio para que lo inspeccione y remplace las partes dañadas.

## INSTRUCCIONES DE ENCENDIDO

1. ¡PARE! Lea la información de seguridad mencionada arriba.
2. Ajuste el termostato a la temperatura más baja.
3. Abra la puerta de acceso al control ubicada en la parte superior derecha del equipo.
4. Gire la perilla de control de gas en sentido horario ↻ hacia la posición "OFF".



5. Espere (5) minutos para desalojar el gas. Si luego huele a gas, ¡PARE! Siga el paso "B" en la información arriba citada. Si no huele a gas prosiga con el siguiente paso
6. Localice el botón rojo de encendido directamente detrás de la perilla del control de gas.



7. Gire la perilla del control de gas en sentido antihorario ↺ hacia la posición "PILOT" y presiónela mientras aprieta el encendedor varias veces hasta que el piloto encienda. La llama del piloto puede observarse mirando hacia abajo dentro de la carcasa. Un pequeño espejo en

el fondo a la derecha, permitirá ver si el piloto está encendido. Si se extrae el gabinete de la estufa se podrán observar directamente el piloto y el quemador.

8. Continúe presionando la perilla del control de gas por lo menos durante 30 segundos o hasta que el piloto quede encendido; al soltarla debe volver a su posición superior y el piloto debe permanecer encendido.

- Si la perilla no retorna hacia arriba al soltarla, pare y llame inmediatamente a su técnico de servicio o a su proveedor de gas.

- Si el piloto no permanece encendido luego de varios intentos, lleve la perilla del control de gas a la posición "OFF" y llame a su técnico de servicio o a su proveedor de gas.

9. ¡Atención! La perilla del control de gas posee un DISPOSITIVO DE BLOQUEO. Cuando el piloto es inicialmente encendido y el magneto de seguridad se energiza (el piloto se enciende) este dispositivo de seguridad entra en funcionamiento. Si el control de gas se coloca en la posición OFF o el flujo de gas al aparato se interrumpe, el piloto no podrá ser encendido hasta que el magneto de seguridad se des-energice (60 segundos aproximadamente, se escuchará un "click"). El piloto podrá entonces encenderse nuevamente y se deberán repetir los pasos 4 a 8.

10. Coloque nuevamente el gabinete, si lo hubiera retirado.
11. Gire la perilla del control de gas en sentido antihorario ↺ hasta la temperatura deseada.
12. Cierre la puerta de acceso al control de gas.

## PARA APAGAR EL GAS AL CALENTADOR

1. Ajuste el termostato a la temperatura más baja.
2. Abra la puerta de acceso al control de gas (arriba a la derecha).
3. Gire la perilla de control de gas en sentido horario ↻ a la posición OFF, sin forzarla.

4. Cierre la puerta de acceso al control de gas.

**ADVERTENCIA:** luego de apagar espere 5 minutos antes de intentar encender nuevamente.

# LLAMA CORRECTA DEL PILOTO

La llama correcta debe ser casi horizontal, azul y debe extenderse 1/4" (6 mm) más allá de la termocupla. La llama debe rodear la termocupla inmediatamente debajo de la punta.

En el gas propano (gas LP) puede presentarse un tono amarillo donde la llama del piloto y la llama del quemador se juntan.

Los pilotos de gas natural necesitan ajuste cuando la presión de entrada es superior a 5" w.c. (1.25kPa). Gire el tornillo de ajuste en la dirección de las agujas del reloj para reducir la llama.

El gas propano (gas LP) no necesita ajuste.

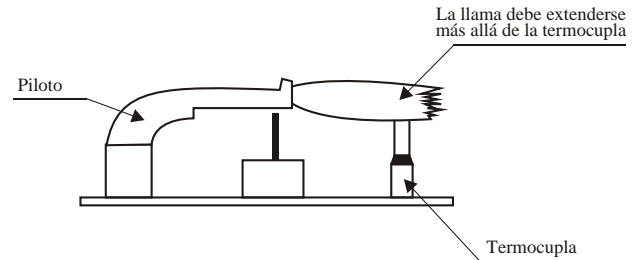


Figura 11

# LLAMA CORRECTA DEL QUEMADOR PRINCIPAL

En el quemador principal existirá una llama corta azul con una llama secundaria más grande y liviana. La llama puede tener una punta amarilla cuando está caliente. Vea la figura 11 donde se muestran las alturas de cada porción de llama. La existencia de polvo en el aire de combustión producirá una llama anaranjada o roja. No confunda una llama anaranjada o roja con una llama amarilla incorrecta.

Después de su uso, se necesita una limpieza periódica para mantener la llama correcta.

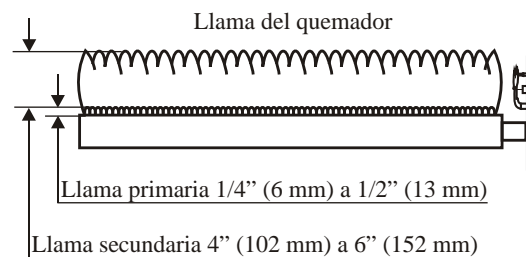


Figura 12

# MANTENIMIENTO DEL APARATO

Anualmente antes de poner en funcionamiento el aparato, éste debe ser inspeccionado y limpiado por personal de servicio calificado.

**Advertencia:** la siguiente información está destinada a personal de servicio calificado y proporciona las correctas instrucciones para el mantenimiento y la reparación del aparato a lo largo de su vida útil. **El usuario NO debe intentar llevar a cabo estas operaciones.**

1. Retire el gabinete del aparato desenroscando las dos tuercas que se encuentran en la parte inferior.
2. Se debe cortar el suministro de gas al aparato en la válvula de corte, o en el medidor de gas en el tanque de gas LP/propano. **Se debe desconectar el suministro de gas a la unidad para poder desmontarla de la pared.**
3. Quite los dos tornillos que fijan la unidad al soporte de pared y luego levántela y retírela de la pared.
4. Examine cuidadosamente el interior de ambos tubos de ventilación. Si detecta alguna obstrucción, límpiela.
5. Observe si existe algún elemento extraño dentro de las aberturas de la parte trasera de la unidad. Retire cualquier objeto que pueda obstruir la libre circulación del aire de ventilación y/o combustión. Sólo podrá observar una porción del interior de la unidad desde este ángulo.
6. Para limpiar el piloto y el quemador principal, se pueden retirar del aparato aflojando los accesorios de compresión que suministran el gas tanto al quemador principal como al

piloto. Nota: antes de retirar el conjunto piloto y el conjunto quemador principal asegúrese de tener juntas sustitutas en la mano (Ver la figura 13). Luego de desatornillar la conexión de gas al quemador y de quitar las tuercas de compresión, desenrosque la termocupla de la base del piloto y retírela del conjunto piloto. Quite los cuatro tornillos que sujetan el soporte quemador principal/piloto, y retire el quemador/piloto de la unidad. Verifique la existencia de suciedad, polvo u hollín en el quemador/piloto y límpiela soplando o con un cepillo de cerdas blandas.

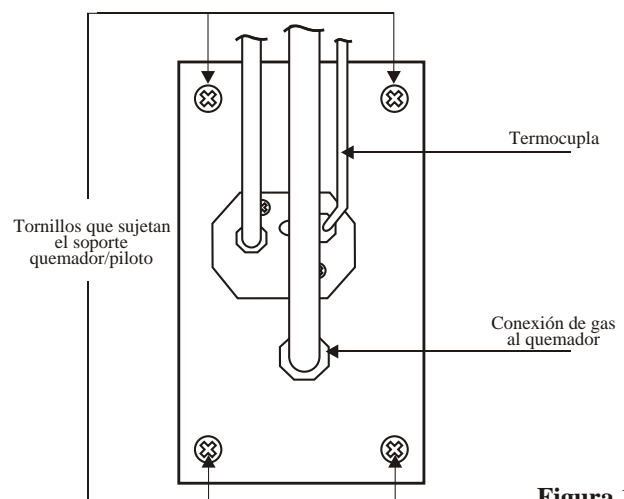


Figura 13

## MANTENIMIENTO DEL APARATO (cont.)

No intente pasar ningún elemento a través del orificio del piloto. Luego, verifique la existencia de suciedad, polvo u hollín en el quemador principal y límpiela con un cepillo blando.

7. Inspeccione la existencia de suciedad, polvo u hollín dentro de la cámara de combustión. De ser observada aflójela con un cepillo de mango largo y luego retírela con una aspiradora.
8. Al preparar el remplazo del quemador principal/piloto, verifique el estado de las juntas del soporte, si se encuentran dañadas o gastadas, replácelas sólo con repuestos de Empire Comfort Systems Inc., cuya dirección se encuentra al pie de esta página. Reinstale el conjunto en la estufa, fijándolo al chasis con los 4 tornillos que se quitaron en el paso 6. **Nota: asegúrese que el lado izquierdo del quemador principal se encuentra montado sobre su soporte. El quemador debe quedar nivelado.**
9. Conecte nuevamente las provisiones de gas al quemador principal y al piloto, que fueron desconectadas durante el paso 6. Reinstale la termocupla en el soporte del piloto, insertándola completamente dentro de la cámara antes de ajustarla.
10. Coloque la estufa sobre el soporte de pared, asegurándose que el tubo de ventilación de menor diámetro encastre perfectamente con la salida de ventilación en la parte trasera del aparato. El tubo de mayor diámetro se deslizará sobre la abertura apropiada. Fije el equipo a su soporte con los 2 tornillos retirados anteriormente.

11. Conecte el gas al aparato y realice la PRUEBA DE PÉRDIDA DE GAS. También se deberán controlar las conexiones de gas internas del aparato. Luego de realizar estas pruebas, ponga en funcionamiento el quemador del piloto, con las instrucciones que se encuentran en este manual o colgadas en el aparato. Controle todas las uniones en la conexión de gas del piloto con una solución de agua jabonosa. La presencia de burbujas en una unión indicará la existencia de una pérdida que deberá ser reparada. Desconecte el gas a la unidad cuando realice reparaciones en el sistema de conexión de gas. Luego de controlar la conexión de gas al piloto, encienda el quemador principal y controle la existencia de pérdidas, de la misma forma que lo hizo con el piloto.

12. Cuando el quemador principal esté funcionando controle que las llamas del piloto y del quemador sean azules. En las figuras 11 y 12 se indica la forma correcta de las llamas. Si no responden a este patrón o si Ud no está totalmente seguro, apague el aparato y contacte a su proveedor de gas o llame a Empire Comfort Systems Inc..

Antes de finalizar el mantenimiento periódico, asegúrese que el área donde se encuentra el equipo esté libre de materiales combustibles, gasolina, u otros vapores o líquidos inflamables. También controle que el flujo de aire de ventilación y combustión alrededor del casco de ventilación en el exterior de la construcción no se encuentre obstruido.

**Nota: controle el correcto funcionamiento del equipo luego de efectuarle el mantenimiento/servicio.**

## CÓMO SOLICITAR PARTES DE REPUESTO

Las partes de repuesto deben ser solicitadas **únicamente a través del personal de servicio** que, a su vez, debe solicitárselas al distribuidor. Las partes de repuesto se enviarán directamente al **personal de servicio**.

Todas las partes que se encuentran en la Lista de Partes poseen un Número de Parte. Al solicitar un repuesto, primero observe el Número de Modelo de su equipo, que se encuentra en la placa de características. Luego determine el Número de Parte (NO el número de Índice) y la Descripción correspondiente que se puede ver en la ilustración y la lista incluidas en las próximas páginas. Asegúrese de proporcionar la siguiente información:

Número de Modelo del Calentador \_\_\_\_\_ Descripción de Parte \_\_\_\_\_

Número de Serie del Calentador \_\_\_\_\_ Número de Parte \_\_\_\_\_

Tipo de Gas (Propano o Natural) \_\_\_\_\_

No solicite tornillos, arandelas, o tuercas. Estos son artículos comunes de ferretería que se consiguen localmente.

Envíos atrasados por huelgas, incendios u otras causas están más allá de nuestro control.

**Empire Comfort Systems, Inc. Nine Eighteen Freeburg Ave. Belleville, IL 62222-0529**

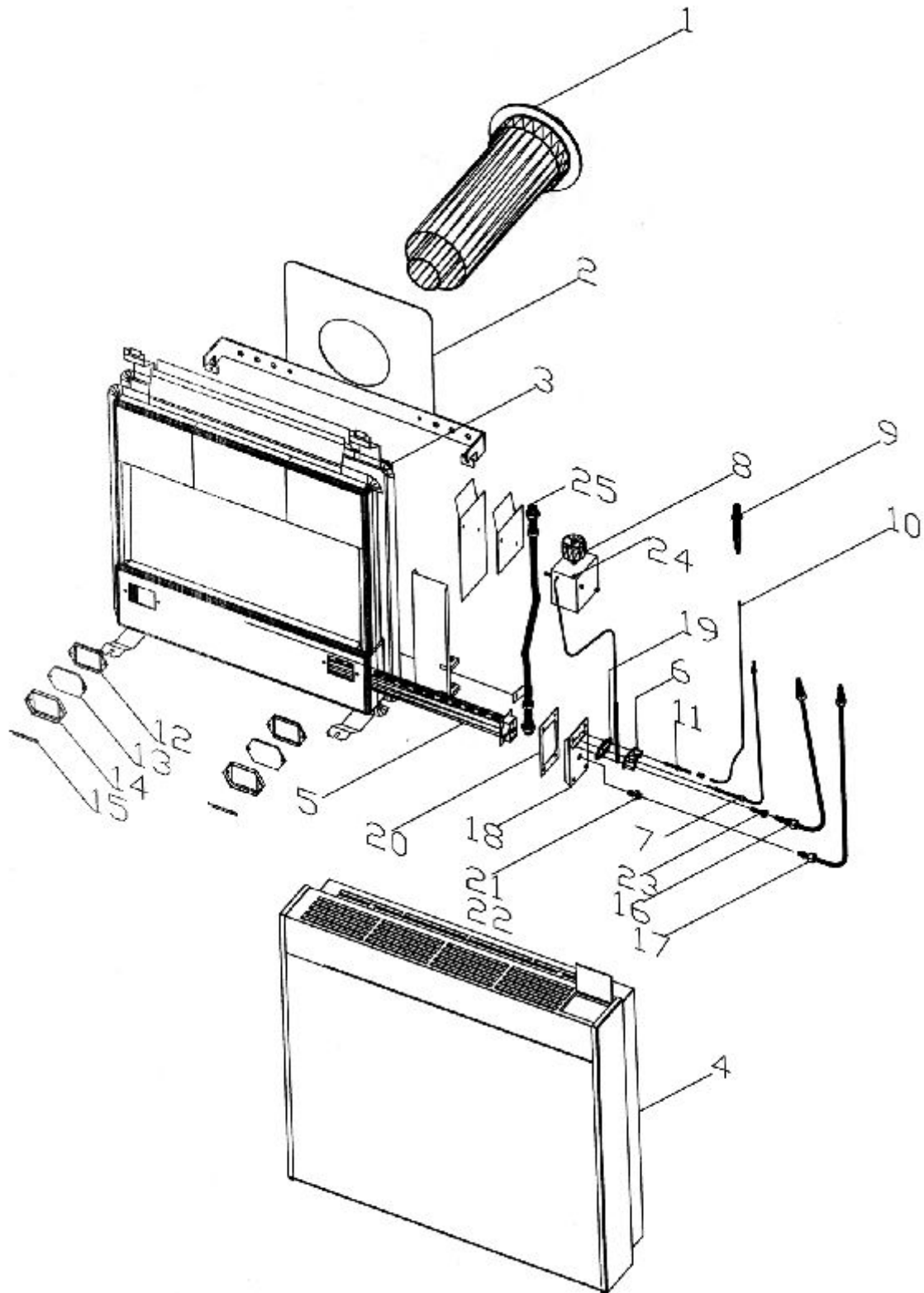
# LISTA DE PARTES

**POR FAVOR ASEGURESE** que al ordenar una parte de repuesto, el **número y la descripción** coincidan.

**USE UNICAMENTE PARTES DE REPUESTO DEL FABRICANTE. EL USO DE OTRAS PARTES DE REPUESTO PUEDE CAUSAR LESIÓN O MUERTE.**

| No. | NOMBRE DE LA PARTE   | PARTE N° / MV 120 | PARTE N° / MV 130 | PARTE N° / MV 145 |
|-----|--|-------------------|-------------------|-------------------|
| 1a  | Conj. de Ventilación (6" a 12" / 152 a 305 mm)                                       | SD43019400        | SD43018500        | SD43018400        |
| 1b  | Conj. de Ventilación (12" a 18" / 305 a 460 mm)                                      | SD430194B0        | SD430185B0        | SD430184B0        |
| 2   | SopORTE de pared   | SD44221800        | SD442202B0        | SD44326100        |
| 3   | Cámara de Combustión   | SK00000047        | SK00000048        | SK00000049        |
| 4   | Gabinete   | SK00000050        | SK00000051        | SK00000052        |
| 5   | Quemador Principal   | SD44108300        | SD44107500        | SD43107900        |
| 6   | Quemador Piloto  | SD44105800        | SD44105800        | SD44105800        |
| 7   | Termocupla   | SD44305500        | SD44305500        | SD44305500        |
| 8a  | Control de Gas (Gas Natural)   | SD44177000        | SD44177000        | SD44177000        |
| 8b  | Control de Gas (Gas LP)  | SD44176900        | SD44176900        | SD44176900        |
| 9   | Encendedor Piezo   | SD44175800        | SD44175800        | SD44175800        |
| 10  | Cable de Piezo   | SD44120800        | SD44120800        | SD44120800        |
| 11  | Electrodo de Encendedor Piezo  | SA00000263        | SA00000263        | SA00000263        |
| 12  | Junta de Mirilla   | SD44107002        | SD44107002        | SD44107002        |
| 13  | Mica de Mirilla  | SD44107100        | SD44107100        | SD44107100        |
| 14  | Marco de Mirilla   | SD44106900        | SD44106900        | SD44106900        |
| 15  | Espejo de Mirilla  | SD44106801        | SD44106801        | SD44106801        |
| 16  | Conexión de Piloto   | SK00000053        | SK00000053        | SK00000053        |
| 17  | Conexión de Quemador Principal   | SK00000054        | SK00000054        | SK00000054        |
| 18  | SopORTE del Quemador   | SD44106100        | SD44106100        | SD44106100        |
| 19  | Junta de Piloto  | SD44158001        | SD44158001        | SD44158001        |
| 20  | Junta de Quemador Principal  | SD44158102        | SD44158102        | SD44158102        |
| 21a | Orificio de Quemador (Gas Natural)   | SD44125400        | SD44125500        | SD443215A0        |
| 21b | Orificio de Quemador (Gas LP)  | SD44125700        | SD44125200        | SD443215B0        |
| 22a | Orificios de Quemador para Altitudes entre<br>2000-4500 pies (610-1370 m) (Gas Nat.) | SD443332A0        | SD443332C0        | SD443215C0        |
| 22b | Orificios de Quemador para Altitudes entre<br>2000-4500 pies (610-1370 m) (Gas LP)   | SD443332B0        | SD443332D0        | SD443215D0        |
| 23a | Orificio de Quemador Piloto (Gas Natural)  | SD44111300        | SD44111300        | SD44111300        |
| 23b | Orificio de Quemador Piloto (Gas LP)   | SD44132400        | SD44132400        | SD44132400        |
| 24a | Tornillo de Caudal Mínimo (Gas Natural)  | SD44131900        | SD44152900        | SD44152900        |
| 24b | Tornillo de Caudal Mínimo (Gas LP)   | SD44131600        | SD44153000        | SD44153000        |
| 25  | Conexión de Gas  | SK00000055        | SK00000055        | SK00000055        |

# VISTA DE PARTES



# INFORMACIÓN DE REPARACIÓN (para personal calificado de servicio)

## SÍNTOMA 1: EL PILOTO NO ENCIENDE

**A. El gas no está encendido o hay aire en la tubería de gas:** el aire atrapado en la tubería se puede eliminar fácilmente a través del tornillo de caudal mínimo. Este es un tornillo de bronce ubicado en la parte superior del control de gas situado a la 1 hora al mirar hacia abajo sobre el botón de control. Desatornillelo completamente con un pequeño destornillador. Gire la perilla a la posición "pilot" y presiónela hasta que sienta el olor al gas que sale a través del agujero del tornillo. **NOTA: CUALQUIER LLAMA ENCENDIDA EN EL ÁREA DEBE SER APAGADA.** Luego de percibir el olor a gas, coloque nuevamente el tornillo y ajústelo con precisión. Espere 5 minutos para que el gas se disipe. Encienda el calentador.

**B. El control de gas no está fijado a la posición correcta:** en los modelos MV 120 y MV 130, puede ser difícil visualizar el indicador de la posición piloto/gas. Note que hay una marca, en la parte inferior del control de gas situada a las 6 horas cuando se mira hacia abajo sobre el control.

En los modelos MV 145, hay una marca en el frente del aro que se encuentra alrededor de la perilla.

**C. El piezo no genera chispa:** cuando encienda el piloto, controle a través de la mirilla que se provoque la chispa. Si ésta no se genera, localice el cable de chispeo al electrodo y asegúrese que las conexiones están correctamente ajustadas.

**D. El inyector del piloto está obstruido:** limpie el orificio del piloto. Los orificios para gas Natural son lo suficientemente grandes como para limpiarlos soplando a través de ellos. Los orificios para gas LP son tan pequeños, que es aconsejable reemplazarlos. Nunca intente agrandar el agujero, o utilizar un elemento filoso para efectuar la limpieza.

**E. El regulador de gas está trabado debido a la alta presión:** reinicie el regulador.

**F. El electrodo del piezo o el cable del electrodo están dañados:** cámbielos.

## SÍNTOMA 2: EL PILOTO NO QUEDA ENCENDIDO CUANDO SE SUELTA EL BOTÓN

**A. La perilla del control de gas no se presiona el tiempo necesario:** éste debe ser por lo menos 30 segundos. Durante el encendido inicial, o luego de largos períodos de inactividad, la presencia de aire en la tubería de gas puede hacer que se requiera un tiempo mayor de presión sobre la perilla.

**B. La llama del piloto es muy débil:** esto se puede deber a la presencia de suciedad o a insuficiencia de gas. Sin embargo, el piloto puede ser ajustado girando el pequeño tornillo de bronce ubicado a la izquierda en la parte superior frontal de la placa del control de gas. Desenroscar el tornillo en sentido antihorario incrementará la llama del piloto. La llama del piloto debe tener contacto con el extremo de la termocupla, pero no debe ser excesivamente larga. (Ver Instrucciones de Encendido).

**C. La termocupla no funciona:** la termocupla es un sonda standard de 24 millivolts. Compruebe su efectividad retirándola del aparato y sujetando un clip cocodrilo en el bulbo de contacto magnetizado en el extremo del control de

gas de la termocupla. Coloque otro clip cocodrilo en la protección de cobre cercana al extremo del calor. Al exponer este extremo a una llama (por ejemplo de una vela), una buena termocupla debería marcar 23-30 millivolts. Si esto no ocurre reemplace la termocupla.

## SÍNTOMA 3: EL QUEMADOR PRINCIPAL NO ENCIENDE

**A. El piloto no está encendido.**

**B. El termostato está posicionado demasiado bajo o la perilla del control de gas está en la posición "pilot".**

**C. El suministro de gas es inadecuado:** haga revisar la presión de gas.

**D. La válvula del control de gas no funciona correctamente:** cámbiela. (Esto ocurre muy raramente).

## SÍNTOMA 4: EL QUEMADOR PRINCIPAL NO PERMANECE ENCENDIDO

**A. La temperatura seleccionada es muy baja.**

**B. Los tubos de ventilación no fueron cortados a la medida correcta:** (el tubo más grande no se ajusta sobre el reborde exterior). El tubo interior debe ser por lo menos 2" (50.8 mm) más largo que el tubo exterior para mantener el suministro de aire necesario para la combustión. Si ambos tubos tienen largos similares, el suministro de aire no será adecuado y los quemadores no permanecerán encendidos. Las llamas que se elevan del quemador son un síntoma de ventilación inadecuada.

**C. El suministro de gas es inadecuado.**

**D. El bulbo sensor del termostato está cerca de una fuente externa de calor:** si el bulbo sensor del termostato que se encuentra en la parte inferior de la estufa está demasiado cerca de un tablero eléctrico, el aparato registrará que la habitación está lo suficientemente cálida y los quemadores no se encenderán.

**E. El casco externo de ventilación está sucio u obstruido:** cualquier suciedad o escombros que se acumule dentro o sobre el casco de ventilación interferirá en la ventilación del aparato, y los quemadores no funcionarán. El equipo debe estar adecuadamente ventilado para poder funcionar correctamente.

## SÍNTOMA 5: LAS HABITACIONES NO MANTIENEN LA TEMPERATURA

**A. La temperatura seleccionada es muy baja o la perilla del control de gas se encuentra en la posición "pilot".**

**B. El aparato es demasiado pequeño para calefaccionar el ambiente.**

**C. El suministro de gas es inadecuado.**

**Nota:** para cada problema (1 a 5), las posibles causas definidas se encuentran en orden de probabilidad de aparición.



## Free Manuals Download Website

<http://myh66.com>

<http://usermanuals.us>

<http://www.somanuals.com>

<http://www.4manuals.cc>

<http://www.manual-lib.com>

<http://www.404manual.com>

<http://www.luxmanual.com>

<http://aubethermostatmanual.com>

Golf course search by state

<http://golfingnear.com>

Email search by domain

<http://emailbydomain.com>

Auto manuals search

<http://auto.somanuals.com>

TV manuals search

<http://tv.somanuals.com>