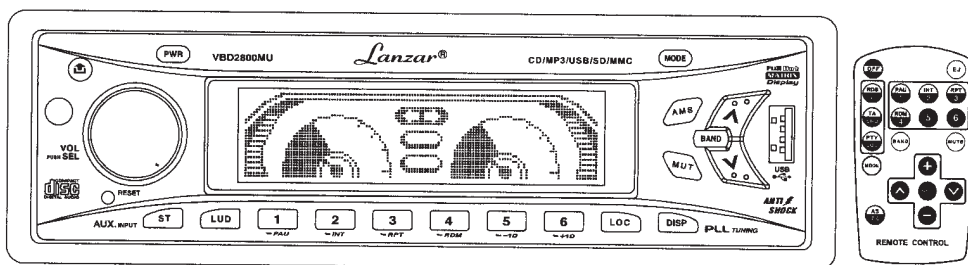


# OWNER'S MANUAL

# Lanzar®

MOTORIZED SLIDE DOWN DETACHABLE PANEL  
FM/AM BAND RADIO RECEIVER  
ELECTRONIC ANTI-SHOCK CD / MP3 PLAYER  
FULL DOT MATRIX LCD DISPLAY  
AUXILIARY INPUT FOR VIDEO  
USB HOST DRIVE ON FRONT PANEL  
ENCODER ELECTRONIC AUDIO CONTROL  
SD/MMC CARD SLOT  
REMOTE CONTROL

## MODEL: VBD2800MU



# LOCATION OF CONTROLS

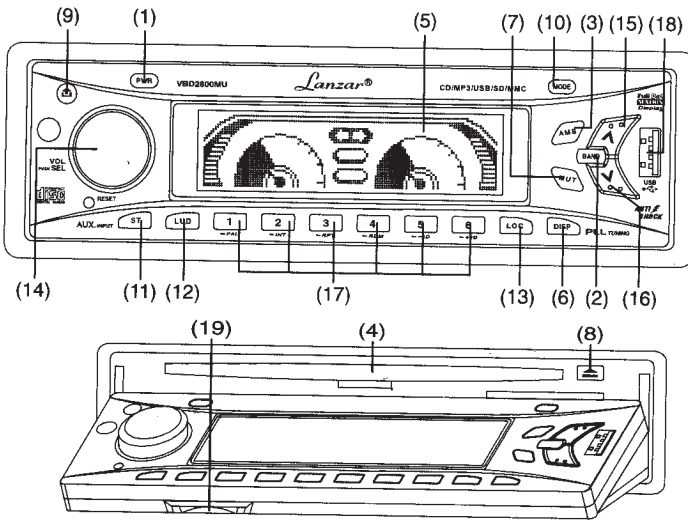
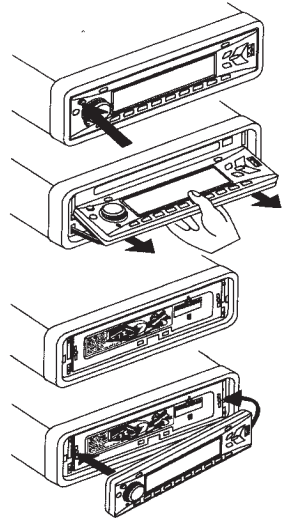


FIGURE A



**REMARK :**  
**AT ANY TIME, IF THE WIRE IS DISCONNECTED, THE RESET BUTTON MUST BE PRESSED AGAIN BEFORE OPERATE THE RADIO (REFER TO RESET FUNCTION FOR DETAIL). OTHERWISE, THE RADIO MAY NOT WORK PROPERLY.**

## OPERATING INSTRUCTIONS

### 1. POWER ON/OFF CONTROL

Press the button to turn the power "ON" or "OFF".

Note : The unit can be turn on by pressing any keys on the panel (except open/close button & disc eject button). It will help the user who cannot find the power button in dark.

### 2. BAND SELECTOR

Each time this button is pressed, the radio band is changed.

### 3. PRE-SCAN/AUTO-STORE BUTTON

This button allows you to enjoy "Preset Memory Scan" function by pushing it shortly, and "Auto Memory" function by pushing it more than 2 seconds.

- PS (PRESET MEMORY SCAN) - It calls the memorized station frequencies (from 1-6) automatically every 5 seconds.
- AS (AUTO-STORE MEMORY) - It searches all station frequencies upward and memorize automatically 6 stations by catching the frequency which has scan-stop level, the memorized station is shown on LCD as "Channel 1 to 6". After memorizing, auto-store memory function will be changed to "Preset Memory Scan" function automatically.

### 4. DISC SLOT

Holding the disc and insert into the disc slot. The disc mechanism will automatically engage into CD/MP3 play mode.

### 5. LCD DIGITAL DISPLAY

The unit utilizes a dot matrix LCD display which shows functions of unit.

### 6. DISPLAY CONTROL

This button serves to show available information as following:

- Band and Frequency
- Time
- Track No. / Playing Time / Artist Name (if available) / File Name during CD or MP3 mode

### 7. MUTE CONTROL

Press the button to mute volume.

## 8. EJECT BUTTON

Press the button to eject the disc inside disc slot.

## 9. OPEN/CLOSE BUTTON / DETACHING PANEL BUTTON (FIGURE A)

- \* Press this button to show the disc slot in the main panel. Then, press once to close the disc slot.
- \* To detach the front panel, press this button so that the panel slide down from vertical to horizontal position. Use thumb hold near the preset button between 3 and 4, and use other finger to hold the corrugated release button at the back of the front panel while pulling. After the panel is released, the slide down metal frame will automatically move backward until it locks to the original position.
- \* To re-attach the panel, put the front panel to the slide down metal frame by clipping it into place.

## 10. MODE SELECTION

Press this button to select Tuner, Compact Disc (CD/MP3), USB Memory or Memory Card (SD/MMC) mode.

## 11. STEREO / MONO CONTROL

Press this button to select "STEREO" or "MONO" reception.

## 12. LOUD CONTROL

Press this button to select "LOUD ON" or "LOUD OFF" function.

## 13. LOCAL / DISTANT SELECTOR

Press this button to prevent strong local stations from overlapping weaker stations. For normal operation, press this button again for distance.

## 14. VOLUME CONTROL

Rotate the button anti-clockwise to decrease or clockwise to increase volume level.

## SETTING MENU SELECTION

- Press the button to show following "MODE", "AUDIO" and "SETUP" menu for different setting of the unit.
- Rotate the button to view each particular menu and press the button to confirm selection.

MENU	SUB-MENU	OPERATION
MODE (Tuner)	SEEK	Seek mode 1 : up/down seek buttons perform fast tuning. Seek mode 2 : up/down seek buttons will automatically tune in if pressed for more than one second.
	LOCAL	DX mode : For normal operation, press this button to receive as many stations as possible. Local mode : Press this button to prevent strong local stations from overlapping weaker stations.
	ST/MO	Stereo sound : Press this button to select FM STEREO reception. Mono sound : Press this button to select FM Mono reception.
	SEARCH	Search particular MP3 track or file in compact disc, USB memory and memory card. Details can be referred to the section "INSTRUCTION TO PLAY MP3 SONGS".
MODE (Compact Disc USB Memory, Memory Card)	ESP (Audio CD)	Esp 10s mode : setting 10 seconds electronic anti-shock timing for audio CD. Esp 40s mode : setting 40 seconds electronic anti-shock timing for audio CD.
	BASS	- Press the button for Bass, Treble, Balance, Fader, EQ (EQ Off, Pop, Rock, Classic, Flat) and Loud on/Off selection.
AUDIO	TRE	
	BAL	- Rotate VOL/SEL to adjust audio level setting.
	FAD	- Press the button again to confirm the selection.
	EQ	
	LOUD	
SETUP	BEEP	Not available on this model.
	CONT (CONTRAST)	Select the display brightness.
	COLOR	Not available on this model.
	TITLE	Logo : Factory preset logo will appear on display. User define : User can input maximum 8 characters to show on the display.
	VIEW	Positive view : Select positive view of the display. Negative view : Select negative view of the display.
	MULTI	Not available on this model.
	CLOCK	The clock can be set manually according to following procedure. - While clock is flashing, rotate "VOL/SEL" control to set HOUR. - Press "VOL/SEL" control to confirm HOUR setting and then rotate "VOL/SEL" control to set MINUTE. - Once clock setting is finished, press "VOL/SEL" control again to confirm your selection.

## 15/16. MANUAL UP/DOWN TUNING / TRACK SEEK UP/DOWN CONTROL

On radio mode, press the button will tune one frequency step higher or lower. Pressing the button more than 1 second can performs fast tuning function or auto tuning function.

On CD/MP3/USB-DRIV/MEM-CARD mode, press this button will locate the beginning of the track being played or will locate the beginning of the next track. When pressing more than 2 seconds, it will move fast forward or fast backward to a specific position of a CD/MP3 track.

**17. STATION PRESET BUTTON (1-6)**

The PRESET BUTTONS on the unit are used to store station frequencies which you may wish to recall. Each preset button can store FM1, FM2, FM3, MW1, MW2 band station frequency. Pressing the button momentarily recalls the station frequency which was memorized. There are 6 preset buttons, giving you capability of storing 18FM / 12MW.

**NOTE:** When the preset button to be memorized is kept pressed for more than 2 seconds, the receiving station frequency will be stored in the button pressed. After this, the memorized station can be recalled by pressing the button once.

**On CD / MP3 / USB-DRIV / MEM-CARD Mode**

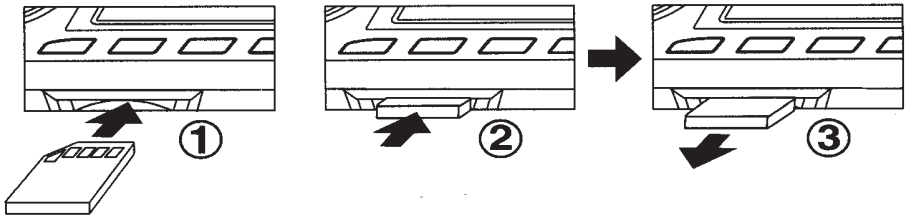
- Preset 1 - press this button to pause the disc / file played.
- Preset 2 - press this button to scan the first 10 seconds of all the tracks on the selected disc / USB drive / SD or MMC Card.
- Preset 3 - press this button to repeat the current track of the disc / USB drive / SD or MMC Card.
- Preset 4 - press this button to play disc / USB drive / SD or MMC Card at random order - Disc shuffle play.
- Preset 5 - press this button to search -10 track (for MP3 / USB-DRIV / MEM-CARD Mode only).
- Preset 6 - press this button to search +10 track (for MP3 / USB-DRIV / MEM-CARD Mode only).

**18. USB HOST**

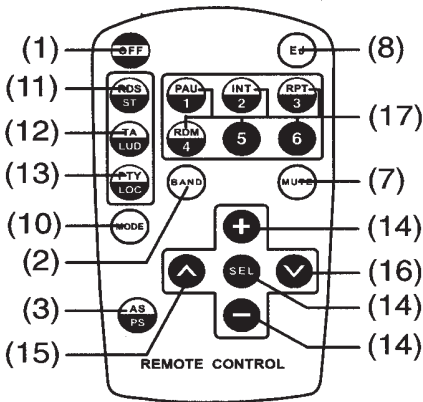
The unit is ready to play MP3 songs on an external USB device through the USB host directly on the front panel.

**19. SD/MMC CARD SLOT**

Holding the SD or MMC card and insert into the slot until you hear the lock sound (Figure 1). The unit will automatically engage into MEM-CARD play mode. If you want to eject the SD or MMC card, just press the card inward (Figure 2) until you hear the unlock sound and then release the SD or MMC card (Figure 3).

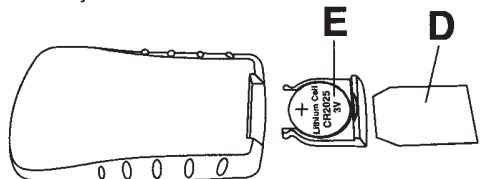


**REMOTE CONTROL**



**Before You Start**

Remove the transparency plastic thin plate (D) before use and replace the CR2025(3V) lithium battery (E) if necessary.



# INSTRUCTION TO PLAY MP3 SONGS

## IMPORTANT NOTES

- The MP3 file recording media acceptable to this unit are CD-R, CD-RW, USB flash memory and SD/MMC memory card.
- The MP3 formats acceptable are limited.
- Do not attempt to play a media containing non-MP3 files or non-MP3 files with MP3 extension. Otherwise, the CD Mechanism/USB Drive/Memory Card Reader will not work properly. If "ERROR" is shown, it is suggested to reset the radio by pressing the reset button.

## PLAY ON MP3 SONG

- Insert the media with MP3 song in the disc slot/USB host/SD or MMC card slot. The unit will start playing and checks all the files and folder on the media.
- If MP3 files and directories are recognized, the media will start playing.
- The MP3 files and directories are accessed according to the order written by the CD/flash memory/SD or MMC card writer.

## TRACK SEARCH

- Press "VOL/SEL" button once and "MODE" menu will be shown on the display for your selection.
- Press "VOL/SEL" button again to enter into "SEARCH" menu.
- Select track search and "0000" will appear on the display for you to enter track number.
- Rotate "VOL/SEL" button clockwise or anti-clockwise to shift number 0 – 9 in loop rotation.
- Press "VOL/SEL" button shortly to select the first digit.
- Repeat the same procedure to enter the other digits if required.
- After the track number is selected, press "VOL/SEL" button more than 2 seconds to start playing the selected track.
- If track number is not entered within 10 seconds, the unit will continue playing the current file.

## FILE SEARCH

- Press "VOL/SEL" button once and "MODE" menu will be shown on the display for your selection.
- Press "VOL/SEL" button again to enter into "SEARCH" menu.
- Select "Explore search" and view available files in current folder by rotating "VOL/SEL" button.
- Press "VOL/SEL" button to play the selected file.
- If directories or files name is not entered within 10 seconds, the unit will continue playing the current file.

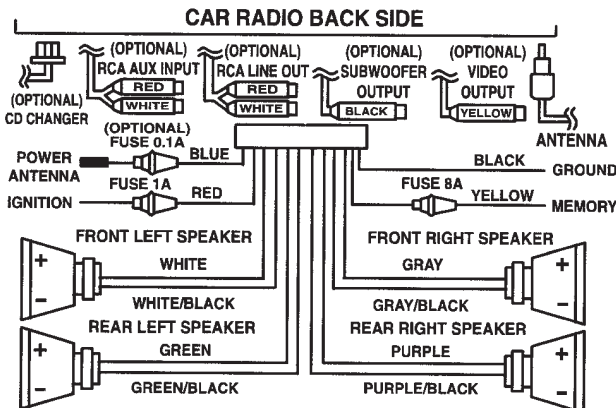
## CHARACTER SEARCH

- Press "VOL/SEL" button once and "MODE" menu will be shown on the display for your selection.
- Press "VOL/SEL" button again to enter into "SEARCH" menu.
- Select "Character search" and press "VOL/SEL" button to enter into character search mode and "A" will appear on the display.
- Rotate "VOL/SEL" button to select the first character of your desired MP3 file.
- Press "VOL/SEL" button shortly to select the first character and files matching your selection will show on the display. Otherwise, "NO FILE" will show on the display.
- Rotate "VOL/SEL" button to view the available files and press the button to play the selected file.

### Remark :

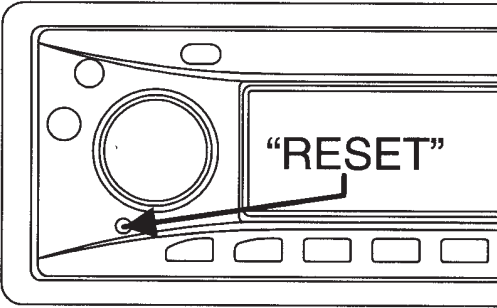
The media must contain directories or files name written by the CD / USB flash memory / SD or MMC card writer in order to use in searching.

## WIRE CONNECTION



**CAUTION :** Do not connect the speaker wires to chassis or car body. Each speaker wire cannot be soldered together with other wires. Otherwise, the unit will be damaged and no sound will come out anymore.

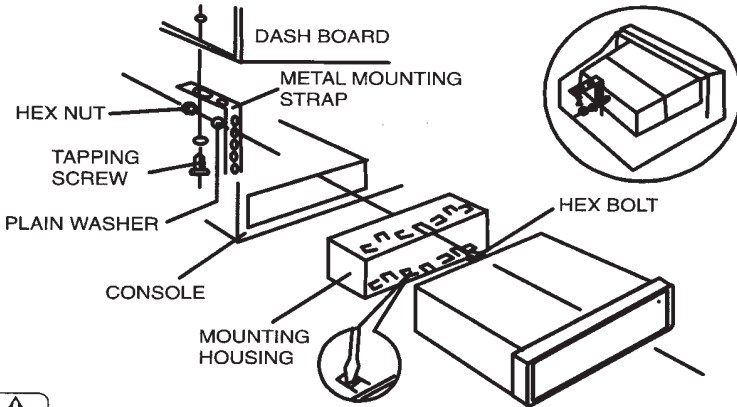
# RESET FUNCTION



The RESET button is located in front of the panel. It is recessed in order to prevent accidental engagement, and can be activated with the tip of a ball-point pen or any similar pointed object. This reset circuitry is provided in order to protect the unit's microprocessor, and should only be activated under the following conditions :

- a) Initial installation after all wiring is completed.
- b) Abnormal operation is encountered such as numerical indication on display is erratic.
- c) Whenever the reset button is activated, all preset memory content will be erased and must be reprogrammed.

# INSTALLATION



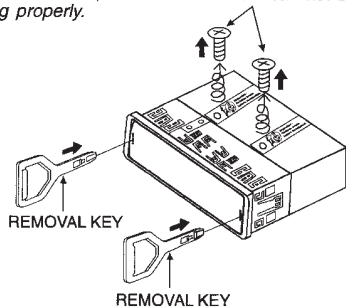
**CAUTION : DO NOT PLACE THE UNIT OVER THE MAXIMUM INSTALLATION ANGLE OF 30°. OTHERWISE, THE UNIT MAY NOT WORK PROPERLY.**

# UNIT REMOVAL

1. Remove Front Control Panel.
2. Slightly insert the key into the slot and gently to release.
3. Separate the sleeve from the unit. Keep release key in a safe place as you may need for future removal of unit.

## WARNING!!

*Due to protection of CD Mechanism, two small screws on the top of the unit must be released before operate the unit. Otherwise, the CD Mechanism can not be working properly.*



## Free Manuals Download Website

<http://myh66.com>

<http://usermanuals.us>

<http://www.somanuals.com>

<http://www.4manuals.cc>

<http://www.manual-lib.com>

<http://www.404manual.com>

<http://www.luxmanual.com>

<http://aubethermostatmanual.com>

Golf course search by state

<http://golfingnear.com>

Email search by domain

<http://emailbydomain.com>

Auto manuals search

<http://auto.somanuals.com>

TV manuals search

<http://tv.somanuals.com>