

# User's Guide

Model : MP3-C40

## Contents :

- 1 **Important Safety instructions**
- 2 **Function overview**
- 3 **Basic operation**
- 4 **About battery**
- 5 **Main menu**
- 6 **Music mode**
- 7 **Record mode**
- 8 **FM mode**
- 9 **System mode**
- 10 **E-book mode**
- 11 **USB disk function**
- 12 **Encrypt disk function**
- 13 **Upgrading**
- 14 **Troubleshooting**
- 15 **Specifications**
- 16 **Support Micro-SD card function**

### **1. Important Safety Instructions**

The manual contains important safety instructions and information of the device's proper usage. Make sure to read carefully and understand all the instructions to avoid accidents.

- Please do not expose the device in the extreme temperature (above 40°C), especially in cars with window closed during summer.
- Please do not store it in the humid or dirty area.
- Please avoid the device falling and bumping strongly.
- High volume might cause hearing loss
- Please do not disassemble the device by yourself and do not wipe the surface of device with alcohol or benzene or thinners.
- Please do not use the device in areas where electronic devices are prohibited.
- It is not suggested to use the device when you are driving or walking in the street.

### **2. Function overview**

LCD Display

Integrated Micro-SD card, support capacity up to 8GB

Plays MP3, WMA music format file

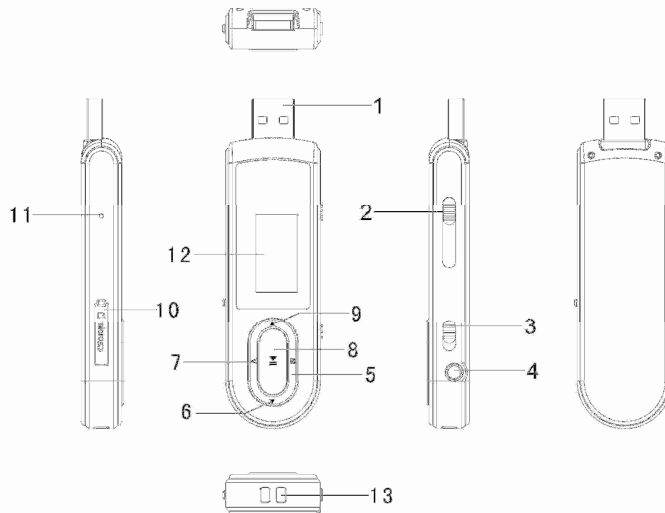
Built in Li-polymer battery

Built in digital voice recording function

Product Dimension: 83 x 28 x 12 MM



- 1: USB
- 2: USB Push the knob
- 3: Power ON/OFF
- 4: Earphone jack
- 5: Mode (Enter- short press,  
Exit- long press)
- 6: Next
- 7: Volume
- 8: Play / Pause
- 9: Previous
- 10: Micro SD card slot
- 11: MIC
- 12: LCD Display
- 13: Strap hole



### 3. Basic Operation

#### Power on/Power Off:

Push the button to "ON" position to turn on the device.

Long press [▶||] (play/stop) button for 3 seconds to turn off the device, then push the Power ON/OFF button to "OFF" position.

Remarks: "ON /OFF" position is for you to power on/off completely the battery

Power off:

- In music mode: press [▶||] (play/stop) button for one second, the music will stop, long press [▶||] (play/stop) button for three seconds, the player will be turned off.
- In other modes: long press [▶||] (play/stop) button for three seconds, the player will be turned off.
- When battery power is low, system will automatically power off.

#### Adjusting volume:

Adjusting the volume in music mode, and voice mode, press [v] button will enter to volume adjustment interface. Pressing [▶] button or [◀] button will increase/decrease the volume one step. Long press [▶] button or [◀] button will increase/decrease continuously.

### 4. About Battery


- The player adopts a built-in Li-polymer.
- If battery power is low, the screen will display "low power", then will automatically power off.
- Recharge your battery by connecting to PC via USB.
- The screen displays battery icon and impulse when recharging battery. The icon will indicate full when completely recharged.
- The battery will be full when charged continuously for 4 hours (initial charges will need 10hrs).
- The running time of battery depends on volume level, playing files format, button operation, etc.
- The user can set [power off setting] to save power.

### 5. Main menu

Press [M] button to enter into subsidiary menu: press [▶] button or [◀] button to select. Save setting: hold [M] button to save and exit from menu.

- Music mode: playing music (for more details, refers to "playing music")
- Record mode: recording voice (for more details, refers to "recording voice")
- System mode: edit system (for more details, refers to following "system setting")

## 6. Music mode

- Play/Stop Play: In music mode, connect the earphone to the player, then press PLAY/STOP [▶||] button to play or stop.
- Select music: Pressing [▶] button briefly will move to the next songs. Pressing [◀] button briefly will move to the previous songs.
- When playing a song, pressing [M] button will enter sub-menu. press [◀] button or [▶] button to select the setting, then press [M] button to confirm selection: Repeat, Equalizer, Replay. Replay times. Replay gap, Exit
- Repeat mode: press [▶] button and [◀] button to select repeat mode. Normal; Repeat One; Folder; Repeat Folder; Repeat All; random; intro.
- Equalizer mode: JAZZ, CLASSIC, ROCK, POP, NORMAL,SOFT, DBB
- Tempo rate: press [▶] button and [◀] button to select tempo rate. Moving to positive direction will fast tempo rate and moving to negative direction will slow tempo rate. The digit "0" means normal tempo rate.
- Replay : A-B repeat, when "A" in the icon  blinks, swing [M] to confirm start point, swing [▶] as "B" point . The player will replay from A to B according to the setting in the replay times.
- Replay times: In music play menu, press [◀] button or [▶] button to select replay time. Then press [M] button to confirm. Set how many times the A-B point replay Maximum is 10 times (1-10).
- Replay gap, set replay time gap between every replay.
- Lyric display: User can download lyrics from website and save them in the player with the same name of music.

Notice: The player displays lyric name as the same as the MP3 file name. For example, music file name is "song.mp3" and LRC file name must be "song.lrc", they should also be in the same folder.

- To play the song on Micro SD card:
  - o Main Menu---- press M to Music Sub-Menu,---- press M ( do not play any song), then choose Card Folder
  - o When playing songs on C40 ( local folder), keep pressing [▶] until the songs stored on Micro SD card come up

## 7. Record mode

In player main menu, press [M] button to confirm selecting record mode, Press the front [▶||] Button to start/stop recording. Press M button to save and exit.

Notice:



- For fine recording, please record in quiet background.
- Please do not talk before recording and start recording in 5~ 6 seconds.
- Make sure battery power and memory are sufficient.
- The player support 99 voice recording files storage in each directory. If the screen displays "out of space", which indicates the current directory has already saved 99 voice recording files, the user need to change to a new directory.
- During recording, only front [▶] Button and [M] button can be effective.
- To playback the recorded file, go to Music mode and choose the file : Rec0XX.Wav

## 8. FM mode

Under main menu, swing [◀] or [▶] button to choose FM mode and press [M] to confirm. Press [▶] (play/stop) to save channel. If no channel is saved, you can look for channels by auto or manual searching. Press [M] again to get sub-menu as below:

Save	Save currently tuned frequency;
Record	Record current preset channel;
Delete	delete current preset channel;
Delete All	delete all saved channels;
Auto Search	Auto search FM channel
Normal Band	Frequencies from 87.5MHz---108MHz;
Exit	exit from FM sub-menu

Auto search: Holding [◀] button or [▶] button for two seconds will tune frequency upward or downward until a radio station is located then it stop automatically.

Manual search: swing [◀] or [▶] button to search channel upward or downward one-step

Notice: Normal band can store 20 preset channels respectively.

## 9. System mode

Press [◀] button or [▶] button to select [system], then press [M] button briefly to edit.

System Time	Press [M] to edit system time. Press [v] button, Swing [▶] button and the digit of year will increase; swing [▶] button to edit next digit, push [◀] or [▶] button to adjust the digit. Press [M] to confirm the setting
LCD set	From 2 Seconds to 30 seconds
Language	Simple Chinese, English, Trad Chinese, Japanese, French, German, Italian, Dutch, Portuguese, Spanish, Swedish, Czech, Denmark, Polish etc. Press [M] to confirm
Power off	<u>Off time</u> : set self-power off time when the player is stopped and no button is pressed. The time unit is seconds. 0 means set off the function. <u>Sleep time</u> : set self-power off time after last key pressed, regardless of whether the player is active or stopped. The time unit is minutes.
Memory info.	Check the memory size and the remaining memory
Firmware version	Display the player's firmware version
Firmware upgrade	Firmware can be upgraded via connection to PC
Exit	Exit from the sub-menu

## 10. E-book mode

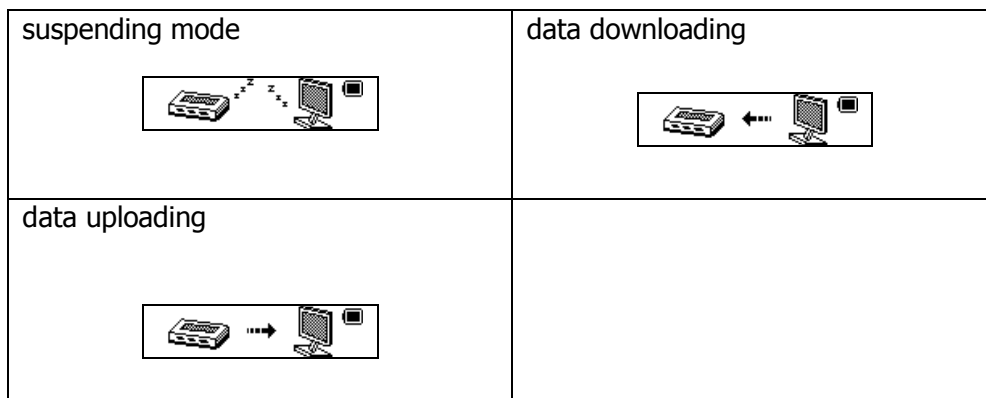


- Press [M] to enter into TEXT menu, It will show as per Picture 1 on the screen.
- To read the ebook, press [▶]
- To set up or delete ebook file, press [M], it will show as per picture 2 and picture 3 on the screen.
- To bookmark the ebook, press key [M] to enter to every function sets refer to picture 4.



## 11. USB disk function

- The player can be a large mobile storage device, supports 1GB/2GB/4GB/8GB memory
- Works with OS above windows 98, plug and play to the computer
- The player supports USB bus-powered and begins to charge when connecting to PC.
- When connected to a computer, the screen will indicate three different modes while operating:



## 12. Encrypt disk function

User can use the software to set partitions for USB disk. One is normal disk, the other is encrypted disk. (User can see two disk icons in computer. WINDOWS 2K need install SP4, otherwise, user only see one disk icon and selecting [normal only] or [encrypt only] from [online mode] of [system setting]). Encrypted disk would hide all private data, others cannot access data without password.

Notice:

- Data in encrypted disk cannot be readable in the player.
- It is necessary for encrypted disk to input user name and password when connecting to computer.
- Setting partitions will erase data, please backup data in advance. Combining disks would also erase data.
- Please do not lose username and password. Otherwise, you cannot access encrypted disk. You can combine disks to cancel encrypted disk at risk of damaging data in encrypted one.

## 13. Upgrading

Use update tool installed in your computer to update and repair the damaged firmware.

- Connect player to the computer
- Run the software: Start----program-----MP3 Player Utilities ----- MP3 Player Upgrade Tool, click [choose new version firmware] button.



- Select the new firmware driver (from the [www.LaserCo.net](http://www.LaserCo.net)). Click [start] button to begin upgrading.
- When upgrading is successful, the display will indicate successfully upgraded
- Find the icon of removable disk in [my computer]. Click the right button of mouse to select [format]. In formatting interface, select FAT system in [file system], then click [start] button to format disk. Notice: formatting disk would erase all the data and please backup data before formatting.

#### 14. Troubleshooting

If the player couldn't play properly, please use trouble-shooting guide to help you.

Symptom	Solution
The player cannot work	<ol style="list-style-type: none"> <li>1. Please check the battery level</li> <li>2. Make sure the power button is on</li> <li>3. Please check if volume is set to "0" or not and make sure that earphones are connected properly.</li> <li>4. Damaged music data will make noise in some extent; make sure there are files in the player.</li> <li>5. choose right FAT file system in dialogue when formatting disk.</li> </ol>
The player cannot upload /download files; no disk icon in My Computer	<p>Please check USB cable is correctly connected. Please try connect to another USB port</p>
The player cannot record	<p>Please check if memory is sufficient. Please check the battery level.</p>

Strange characters are displayed	Please check if the correct language is selected.
FM radio signal is not clear	Readjust the position between player and earphone; earphone can be used as antenna to receive the signal

More updated FAQ is available from [www.LaserCo.net](http://www.LaserCo.net)

## 15.Specification

Item	Specification
Dual color LCD screen	128X64 pixel
Operating language	Simplified Chinese, English, traditional Chinese, Japanese, French, German, Italian, Dutch, Portuguese, and Spanish etc.
USB Interface	USB2.0
File formats supported	Music: MP1、MP2、MP3、WMA、WAV Record : WAV
FM frequency	87.5MHz—108MHz
The max output power	(L) 10mW+(R) 10mW (320hm)
Built-in memory	1GB~8GB
Power	3.7 V Li-polymer battery
Operating temperature	-5℃~40℃
Operating System	WINSE/ME/2K/XP,Mac OS 10、Linux2.4.2
Accessories	User Manual, Earphone,

### 15. Support Micro-SD card function

Plug and pull Micro-SD Card:

- Plug: Connect Micro-SD Card to the device by inserting the card at its observe side to the socket of device, thus the MP4 player can play the files in the Micro-SD Card.
- Pull: Push Micro-SD Card, thus Micro-SD Card will rebound a little. Then it's available to take it out.



## Free Manuals Download Website

<http://myh66.com>

<http://usermanuals.us>

<http://www.somanuals.com>

<http://www.4manuals.cc>

<http://www.manual-lib.com>

<http://www.404manual.com>

<http://www.luxmanual.com>

<http://aubethermostatmanual.com>

Golf course search by state

<http://golfingnear.com>

Email search by domain

<http://emailbydomain.com>

Auto manuals search

<http://auto.somanuals.com>

TV manuals search

<http://tv.somanuals.com>