

**Pulsar M**  
2200 RT 2U  
2200 RT 3U  
3000 RT 2U  
3000 RT 3U  
3000 RT 3U XL  
EXB RT 3U

**Installation and user  
manual**



THE UNINTERRUPTIBLE POWER PROVIDER

**MGE**  
UPS SYSTEMS



Thank you for selecting an MGE UPS SYSTEMS product to protect your electrical equipment.

The **Pulsar M** range has been designed with the utmost care.

We recommend that you take the time to read this manual to take full advantage of the many features of your **UPS (Uninterruptible Power System)**.

Before installing **Pulsar M**, please read the booklet on the required safety instructions. Then follow the indications in this manual.

To discover the entire range of MGE UPS SYSTEMS products and the options available for the **Pulsar M** range, we invite you to visit our web site at [www.mgeups.com](http://www.mgeups.com) or contact your MGE UPS SYSTEMS representative.

## Environmental protection

MGE UPS SYSTEMS has implemented an environmental-protection policy.

Products are developed according to an eco-design approach.

### Substances


This product does not contain CFCs, HCFCs or asbestos.

### Packing

To improve waste treatment and facilitate recycling, separate the various packing components.

- ▶ The cardboard we use comprises over 50% of recycled cardboard.
- ▶ Sacks and bags are made of polyethylene.
- ▶ Packing materials are recyclable and bear the appropriate identification symbol



Material	Abbreviation	Symbol number	
Polyethylene terephthalate	PET	01	
High-density polyethylene	HDPE	02	
Polyvinyl chloride	PVC	03	
Low-density polyethylene	LDPE	04	
Polypropylene	PP	05	
Polystyrene	PS	06	

Follow all local regulations for the disposal of packing materials.

### End of life

MGE UPS SYSTEMS will process products at the end of their service life in compliance with local regulations.

MGE UPS SYSTEMS works with companies in charge of collecting and eliminating our products at the end of their service life.

### Product

The product is made up of recyclable materials.

Dismantling and destruction must take place in compliance with all local regulations concerning waste.

At the end of its service life, the product must be transported to a processing centre for electrical and electronic waste.

### Battery

The product contains lead-acid batteries that must be processed according to applicable local regulations concerning batteries.

The battery may be removed to comply with regulations and in view of correct disposal.

The "Material Safety Data Sheets" (MSDS) for the batteries are available on our web site\*.

(\* For more information or to contact the Product Environmental manager, use the "Environmental Form" on the site: [www.mgeups.com](http://www.mgeups.com) -> About us -> Environment.

# Introduction

## Pictograms



Important instructions that must always be followed.



Information, advice, help.



Visual indication.



Action.



Audio signal.

In the illustrations on the following pages, the symbols below are used:



LED off



LED on



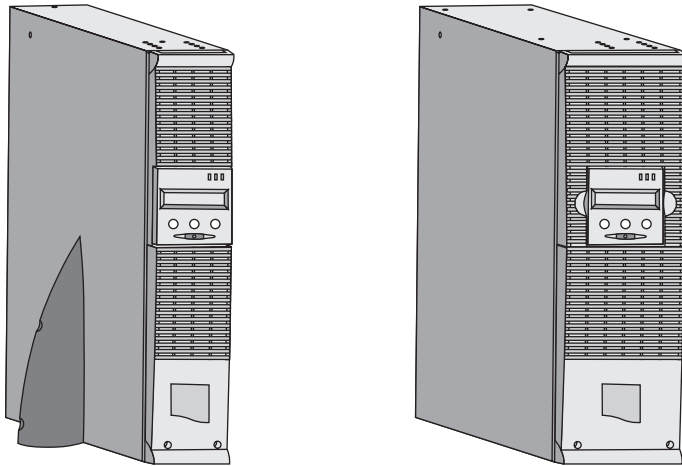
LED flashing

<b>1. Presentation</b>	
<b>1.1 Standard positions</b>	6
Tower position	6
Rack position	6
<b>1.2 Rear panels</b>	7
Pulsar M 2200 / 3000	7
Pulsar M EXB (optional battery module)	7
<b>1.3 Control panel</b>	7
<b>2. Installation</b>	
<b>2.1 Unpacking and contents check</b>	8
<b>2.2 Installation in tower position</b>	9
<b>2.3 Installation in rack position</b>	9
<b>2.4 Communication ports</b>	10
Connection of RS232 or USB communication port (optional)	10
Installation of the communication cards (optional)	10
<b>2.5 Connection with a FlexPDU (Power Distribution Unit) module</b>	11
<b>2.6 Connection with a HotSwap MBP module</b>	11
HotSwap MBP-module operation	12
<b>2.7 UPS connection without a FlexPDU or HotSwap MBP module</b>	12
<b>3. Operation</b>	
<b>3.1 Start-up and normal operation</b>	13
<b>3.2 Operation on battery power</b>	13
<b>3.3 Return of AC power</b>	14
<b>3.4 UPS shutdown</b>	14
<b>3.5 Using the UPS remote control functions</b>	14
<b>4. Access to measurements and personalisation data</b>	
<b>4.1 Display menus arrangement</b>	16
<b>4.2 Access to measurements</b>	16
<b>4.3 Personalisation using the control panel</b>	16
<b>4.4 Personalisation using external software</b>	17
<b>5. Maintenance</b>	
<b>5.1 Troubleshooting</b>	18
Troubleshooting a UPS equipped with the HotSwap MBP module	19
<b>5.2 Battery-module replacement</b>	19
Safety recommendations	19
Battery-module removal	19
Mounting the new battery module	20
<b>5.3 Maintenance on a UPS equipped with the HotSwap MBP module</b>	20
<b>5.4 Training centre</b>	21
<b>6. Appendices</b>	
<b>6.1 Technical specifications</b>	22
<b>6.2 Glossary</b>	23

# 1. Presentation

## 1.1 Standard positions

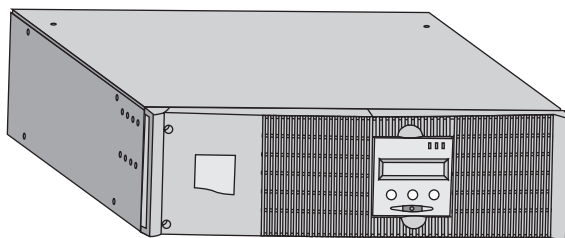
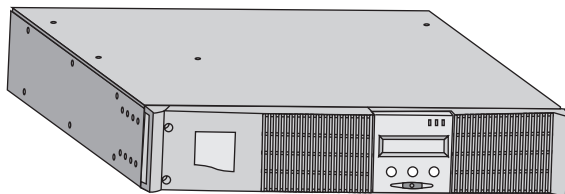
### Tower position



Dimensions (H x W x D) in mm	
Pulsar M 2200 RT 2U	440 x 86 x 640
Pulsar M 2200 RT 3U	440 x 131 x 490
Pulsar M 3000 RT 2U	440 x 86 x 640
Pulsar M 3000 RT 3U	440 x 131 x 490
Pulsar M 3000 RT 3U XL	440 x 131 x 490
Pulsar M EXB RT 3U	440 x 131 x 490

Weights in kg	
Pulsar M 2200 RT 2U	31
Pulsar M 2200 RT 3U	30
Pulsar M 3000 RT 2U	31
Pulsar M 3000 RT 3U	30
Pulsar M 3000 RT 3U XL	17
Pulsar M EXB RT 3U	42

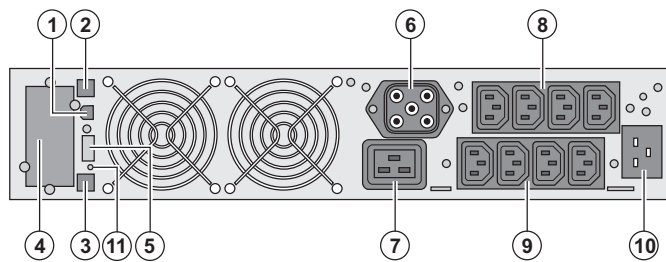
### Rack position



# 1. Presentation

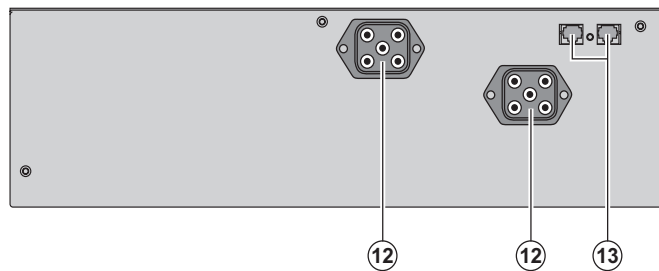
## 1.2 Rear panels

### Pulsar M 2200 / 3000



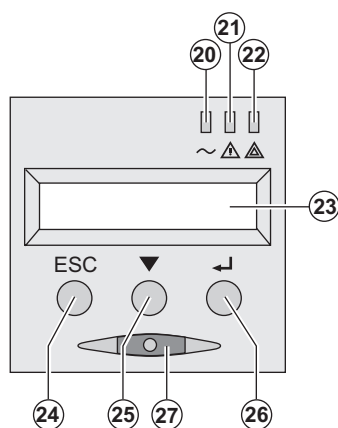
- (1) USB communication port
- (2) RS232 communication port
- (3) Connector for automatic recognition of an additional battery module
- (4) Slot for optional communication card
- (5) Connector for remote ON/OFF and RPO (Remote Power Off) control
- (6) Connector for additional battery module
- (7) 16 A outlet for connection of equipment
- (8) Two groups of 2 programmable outlets for connection of equipment
- (9) Groups of 4 outlets for connection of equipment
- (10) Socket for connection to AC-power source
- (11) LED (SWF) indicating distribution system phase/neutral reversal

### Pulsar M EXB (optional battery module)



- (12) Connectors for battery modules (to the UPS or to the other battery modules)
- (13) Connectors for automatic recognition of battery modules

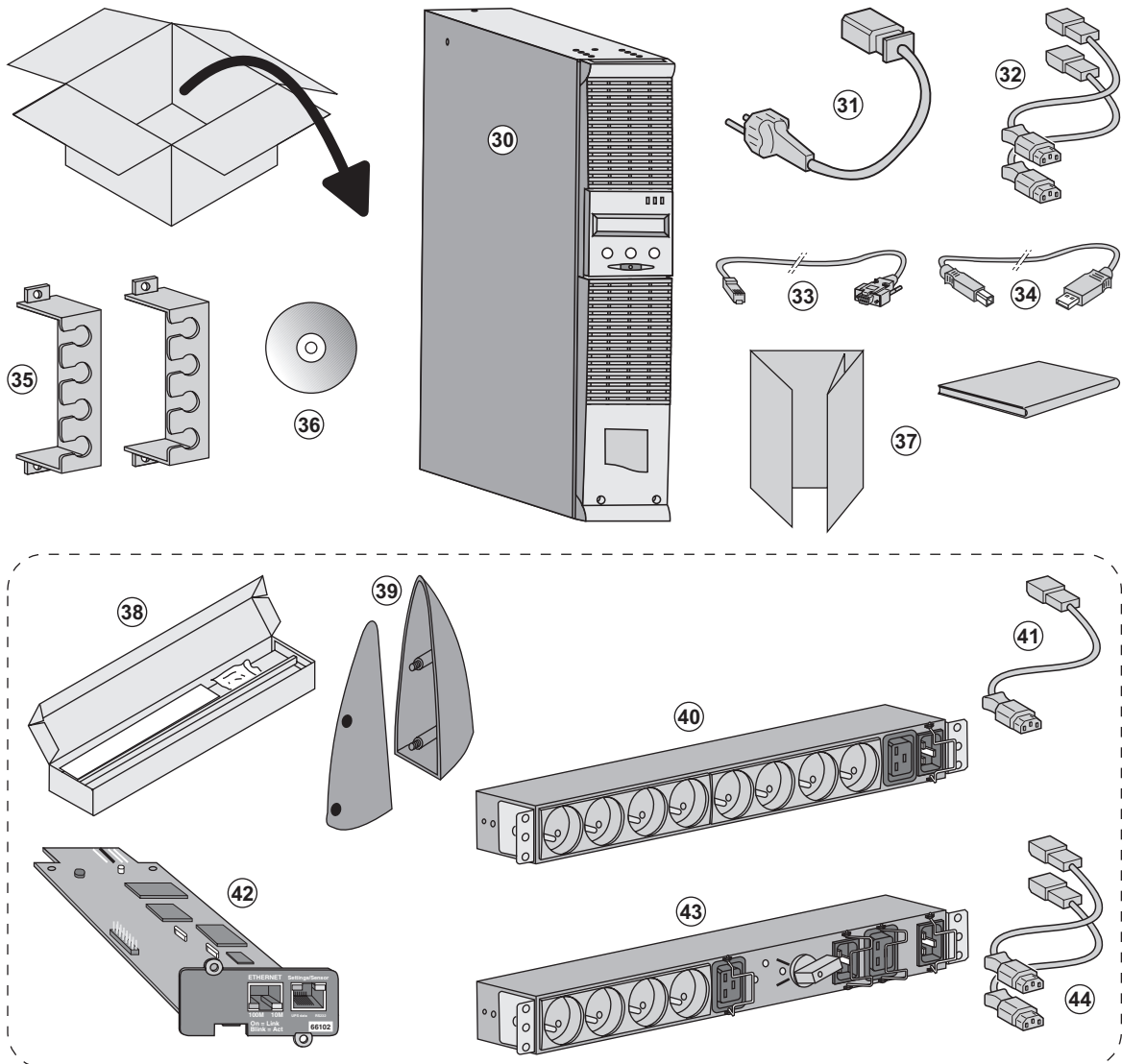
## 1.3 Control panel



- (20) Load protected LED
- (21) Downgraded operation LED
- (22) Load not protected LED
- (23) Alphanumeric display
- (24) Escape (cancel) button
- (25) Scroll button
- (26) Enter (confirm) button
- (27) ON/OFF button for UPS and outlets

## 2. Installation

### 2.1 Unpacking and contents check



**(30) Pulsar M 2200 or 3000 UPS**

**(31)** connection cable to AC-power source

**(32)** 2 connection cables for the protected equipment

**(33)** RS232 communications cable

**(34)** USB communications cable

**(35)** 2 systems to secure power plugs

**(36)** Solution-Pac CD-ROM

**(37)** Documentation

**Elements supplied depending on the version or optional**

**(38)** Mounting kit for 19-inch bays

**(39)** 2 supports for the upright position (2U version only)

**(40)** FlexPDU module (optional)

**(41)** connection cable between FlexPDU module and UPS

**(42)** NMC communication card (optional)

**(43)** HotSwap MBP module (optional)

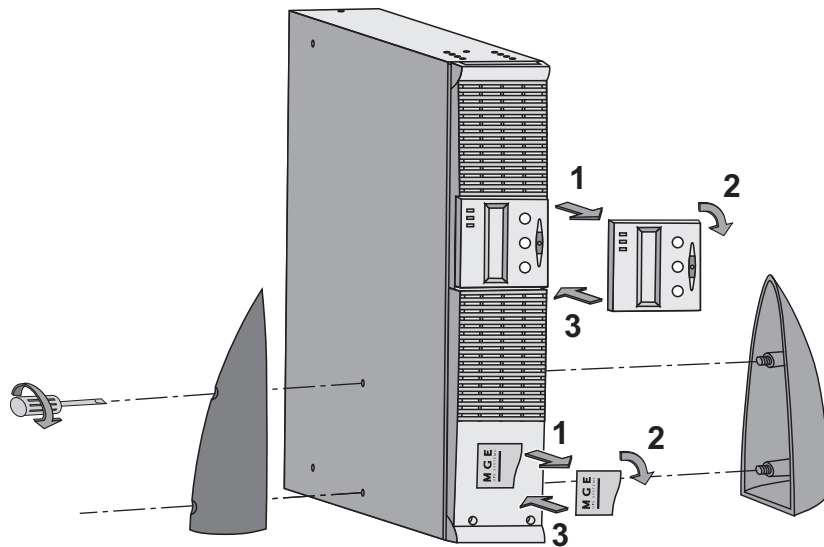
**(44)** connection cables between HotSwap MBP module and UPS



Packing materials must be disposed of in compliance with all local regulations concerning waste. Recycling symbols are printed on the packing materials to facilitate sorting.



### 2.2 Installation in tower position

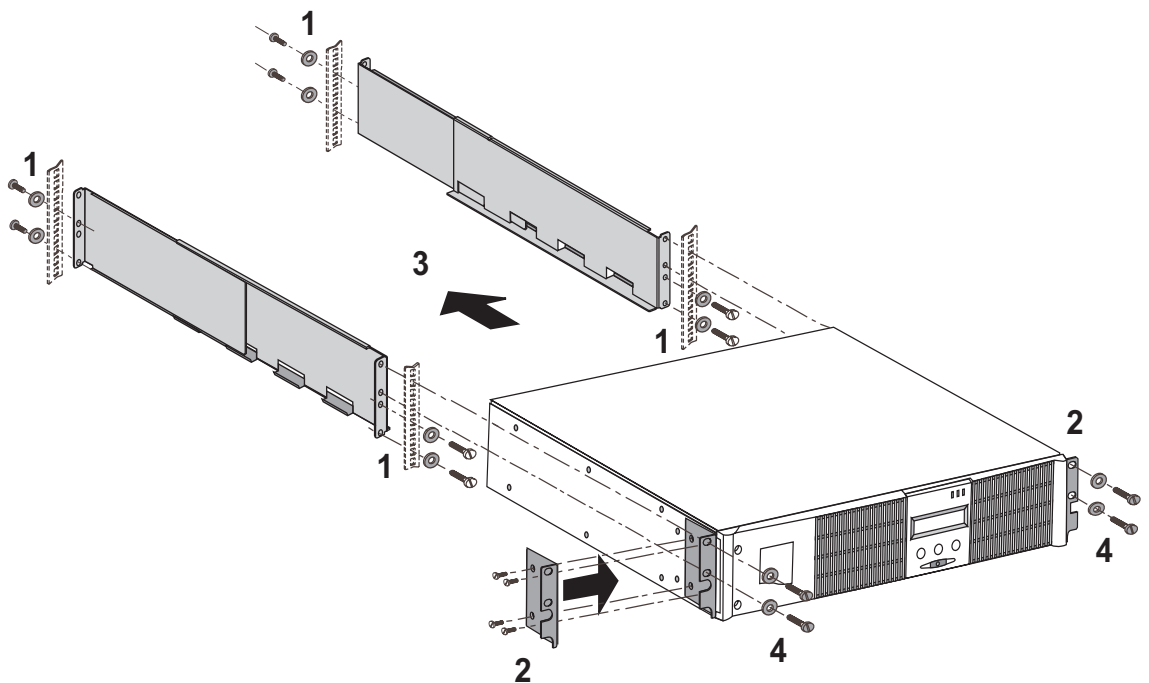


### 2.3 Installation in rack position

It is advised to first install the battery module, then the power module above.



Follow steps 1 to 4 for module mounting on the rails.



The rails and necessary hardware are supplied by MGE UPS SYSTEMS.

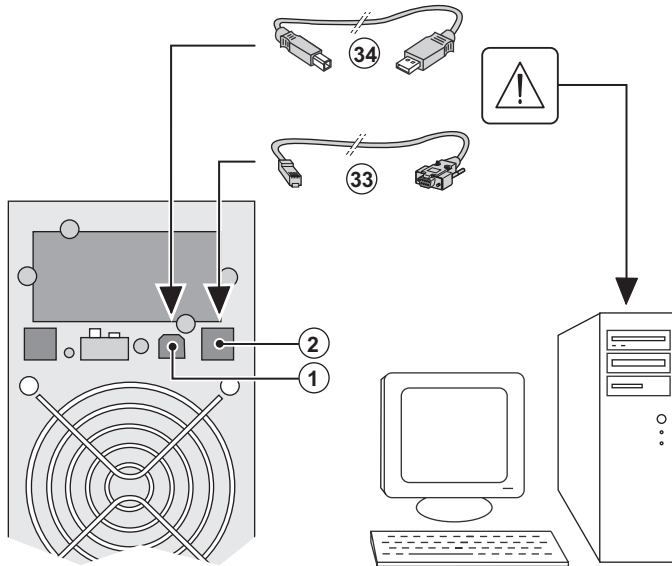
## 2. Installation

### 2.4 Communication ports

#### Connection of RS232 or USB communication port (optional)



The RS232 and USB communication ports cannot operate simultaneously.

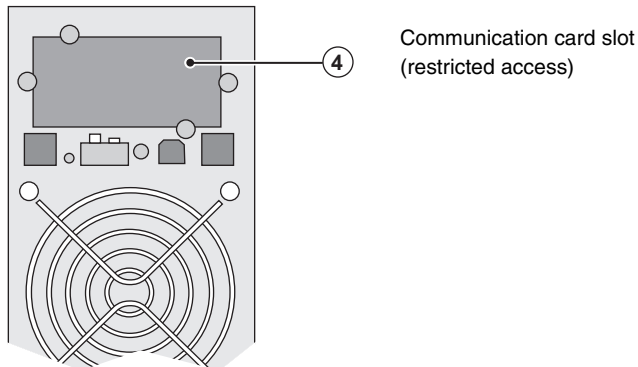


1 - Connect the RS232 **(33)** or USB **(34)** communication cable to the serial or USB port on the computer equipment.

2 - Connect the other end of the communication cable **(33)** or **(34)** to the USB **(1)** or RS232 **(2)** communication port on the UPS.

The **UPS** can now communicate with MGE UPS SYSTEMS power management software.

#### Installation of the communication cards (optional)

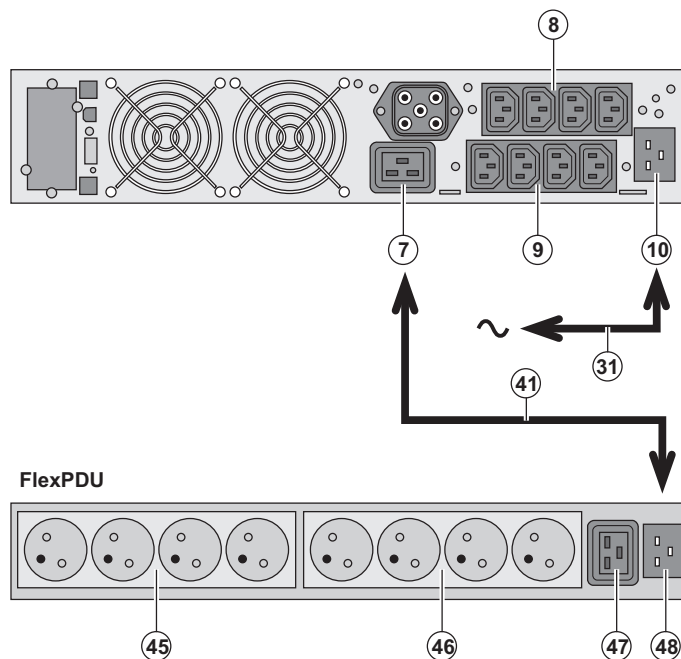


It is not necessary to shutdown the UPS before installing a communications card.

- 1 - Remove the UPS cover **(4)** secured by screws.
- 2 - Insert the communications card in the slot.
- 3 - Put the UPS cover back in place using the screws.

## 2. Installation

### 2.5 Connections with a FlexPDU (Power Distribution Unit) module (optional)



1 - Connect the UPS socket (10) to the AC-power source using the cable (31) supplied.

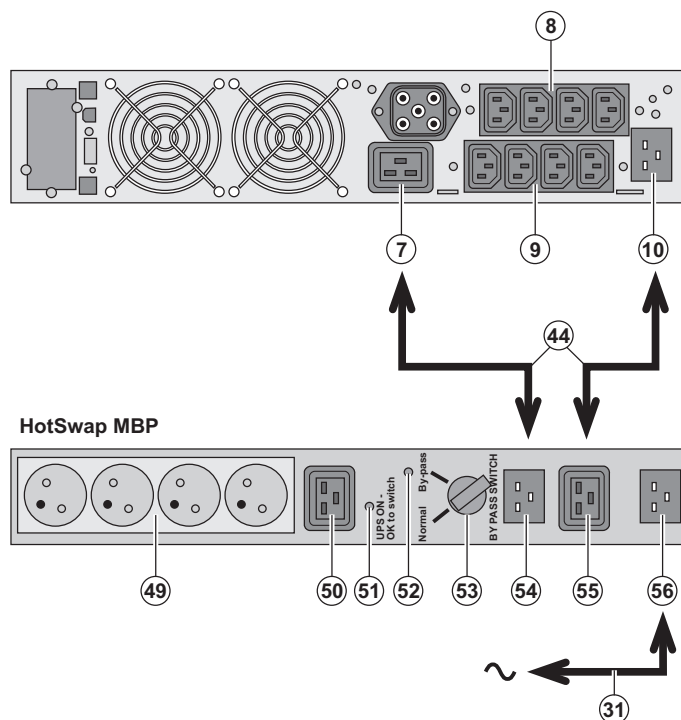
2 - Connect the input socket on the **FlexPDU** module (48) to the UPS outlet (7) using the cable (41) supplied. The cable and the connectors are marked in red.

3 - Connect the equipment to the outlets (45), (46) and (47) on the **FlexPDU** module. These outlets differ, depending on the version of the **FlexPDU** module.

4 - Fit the connection securing system that prevents the plugs from being pulled out accidentally.

### 2.6 Connections with a HotSwap MBP module (optional)

The **HotSwap MBP** module makes it possible to service or even replace the UPS without affecting the connected loads (**HotSwap** function).



1 - Connect the input socket (56) on the **HotSwap MBP** module to the AC-power source using the cable (31) supplied.

2 - Connect the UPS input socket (10) to the "UPS Input" (55) on the **HotSwap MBP** module, using the cable (44) supplied. These cables and the connectors are marked blue.

3 - Connect the UPS outlet (7) to the "UPS Output" (54) on the **HotSwap MBP** module, using the cable (44) supplied. These cables and the connectors are marked red.

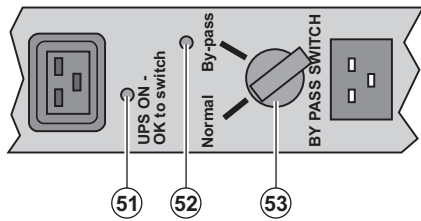
4 - Connect the equipment to the outlets (49) and (50) on the **HotSwap MBP** module. These outlets differ, depending on the version of the **HotSwap MBP** module.

**Caution.** Do not use UPS outlets (8) and (9) to supply equipment because use of switch (53) on the **HotSwap MBP** module would cut supply to the equipment. It is advised not to remove the protective film from outlets (8) and (9).



## 2. Installation

### HotSwap MBP-module operation



The **HotSwap MBP** module has a rotary switch (53) with two positions:  
**Normal** - the load is supplied by the UPS,  
**Bypass** - the load is supplied directly by the AC-power source.

#### UPS start-up with the HotSwap MBP module

- 1 - Check that the UPS is correctly connected to the **HotSwap MBP** module.
  - 2 - Set switch (53) to the Normal position.
  - 3 - Start the UPS by pressing the ON/OFF button (27) on the UPS control panel.
- The load is supplied by the UPS.  
LED (51) "UPS ON - OK to switch" on the **HotSwap MBP** module goes ON.

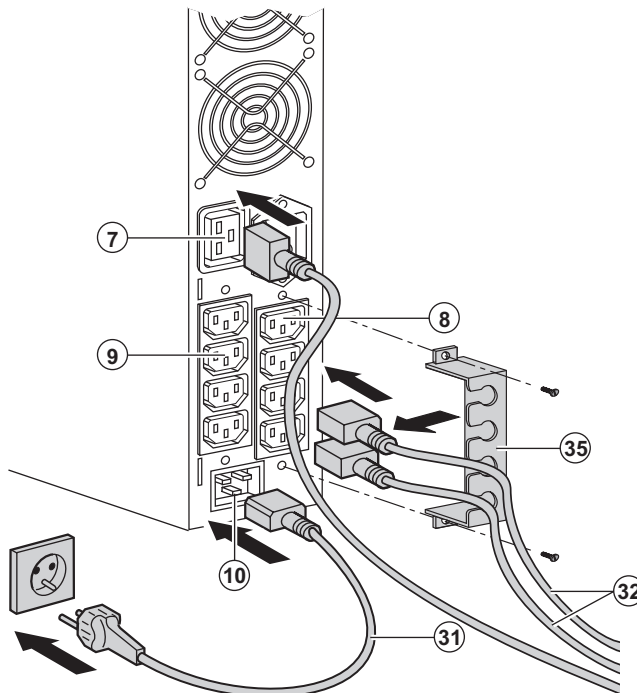
#### HotSwap MBP-module test

- 1 - Set switch (53) to the Bypass position and check that the load is still supplied.
- 2 - Set switch (53) back to the Normal position.

## 2.7 UPS connection without a FlexPDU or HotSwap MBP module



Check that the indications on the name plate located on the back of the UPS correspond to the AC-power source and the true electrical consumption of the total load.



- 1 - Connect the supplied cable (31) (250 V - 16 A) to the socket (10), then to the AC-power source.
- 2 - Connect the loads to the UPS using the cables (32).

It is preferable to connect the priority loads to the four outlets marked (9) and the non-priority loads to the four outlets marked (8) that can be programmed in pairs (1 and 2). Connect any high-power devices to the 16 A outlet (7).

To program shutdown of outlets (8) during operation on battery power and thus optimise the available backup time, the MGE UPS SYSTEMS communications software is required.

- 3 - Fit the connection securing system (35) that prevents the plugs from being pulled out accidentally.



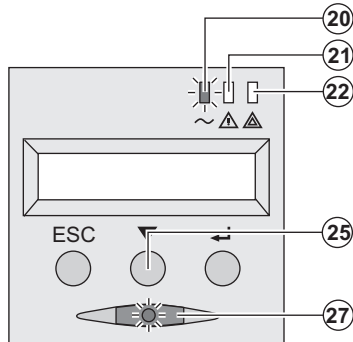
**Note.** The UPS charges the battery as soon as it is connected to the AC-power source, even if button (27) is not pressed. **Once the UPS is connected to the AC-power source, eight hours of charging are required before the battery can supply the rated backup time.**



## 3.1 Start-up and normal operation



For the initial start, AC power must be present to detect any wiring errors. Subsequently, the UPS can start even if AC power is not present.



Press button (27) for approximately 1 second.

- ▶ The buzzer beeps once and all the LEDs go ON simultaneously.
- ▶ The buzzer then beeps twice during the self-test, then button (27) remains ON, indicating that the load outputs are supplied.

**The connected devices are protected by the UPS.**

- ▶ LED (20) is ON.

If LED (22) is ON, a fault has occurred (see the "Troubleshooting" section).

- ▶ During normal operation, the scroll button (25) may be used to read UPS measurements (voltage on normal and bypass AC inputs, operating mode, battery capacity and UPS serial number).



### UPS personalisation

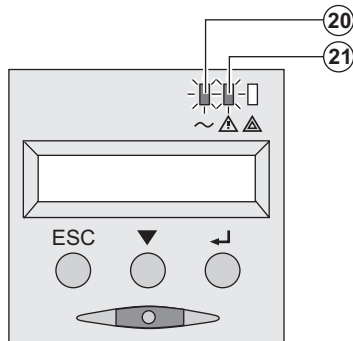


If UPS personalisation is desired, it is advised to enter the personalisation mode at this time.

This mode may be entered using the buttons on the control panel or the **Personal Solution-Pac** software (Windows) included on the **Solution-Pac** CD-ROM provided by MGE UPS SYSTEMS.

## 3.2 Operation on battery power

### Transfer to battery power



- ▶ The connected devices continue to be supplied by the UPS when AC power is no longer available. The necessary energy is provided by the battery.

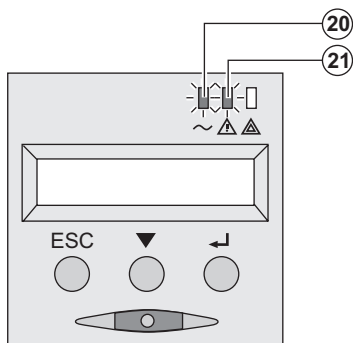
- ▶ LEDs (20) and (21) go ON.
- ▶ The audio alarm beeps every ten seconds.

**The connected devices are supplied by the battery.**

**The display indicates the remaining backup time.**



### Low-battery warning



- ▶ LEDs (20) and (21) go ON.
- ▶ The audio alarm beeps every three seconds.

The remaining battery power is low.

Shut down all applications on the connected equipment because automatic UPS shutdown is imminent.



## 3. Operation

### End of battery backup time



- ▶ All the LEDs go OFF.
- ▶ The audio alarms stops.

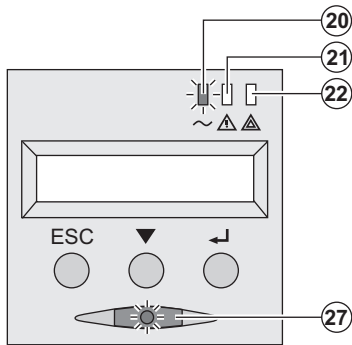


The UPS is completely shut down.

### 3.3 Return of AC power

Following an outage, the UPS restarts automatically when AC power returns (unless the restart function was disabled via UPS personalisation) and the load is again supplied.

### 3.4 UPS shutdown



Press button (27) for approximately 2 seconds.

The devices connected to the UPS are no longer supplied.

### 3.5 Using the UPS remote control functions

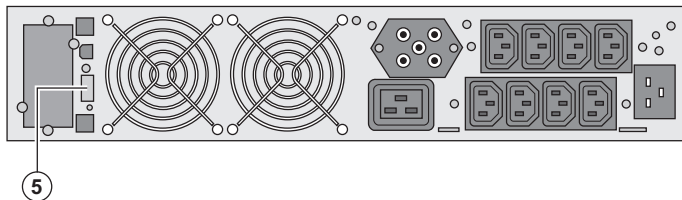
**Pulsar** has the choice of two remote control options.

- ▶ **RPO: Remote Power Off** allows a remote contact to be used to disconnect all the equipment connected to the UPS from the power supply.

Restarting the UPS requires manual intervention.

- ▶ **ROO: Remote ON/OFF** allows remote action of button (27).

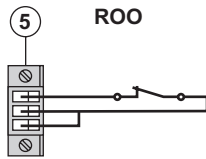
These functions are obtained by opening a contact connected between the appropriate pins of connector (5) on the rear panel of the UPS (see diagram on following page).



#### Remote control connection and test

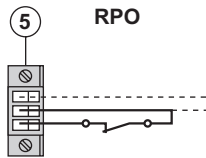


- 1 - Check the UPS is shut down and the electrical supply network disconnected.
- 2 - Remove connector (5) after unscrewing the screws.
- 3 - Connect a normally closed volt-free contact (60 Vdc / 30 Vac max, 20 mA max, 0.75 mm<sup>2</sup> cable cross section) between the two pins of connector (5), see diagram.



Contact open: shut down of UPS  
Contact closed: start-up of UPS (UPS connected to the network and network energized)

**Note:** local On/Off control via button (27) has priority over the remote control order.



Contact open: shut down of UPS

To return to normal operation, deactivate the external remote shut down contact and restart the UPS using button (27).

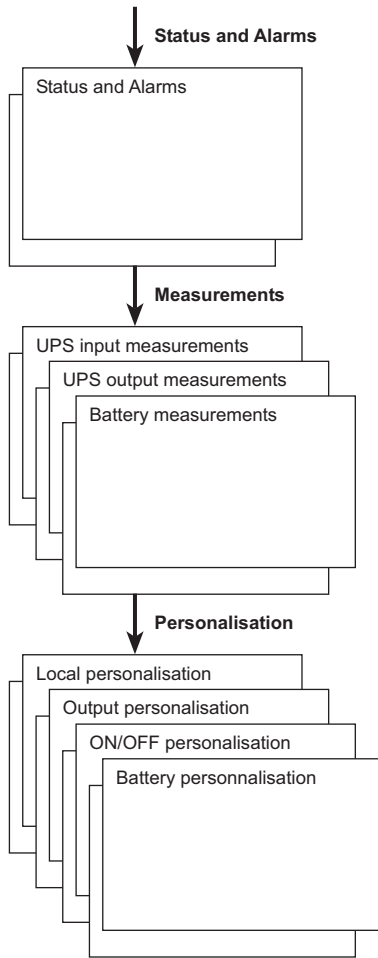
- 4 - Plug connector (5) into the back of the UPS.
- 5 - Connect and restart the UPS according to the previously described procedures.
- 6 - Activate the external remote shut down contact to test the function.



**Warning: this connector must only be connected to SELV (Safety Extra Low Voltage) circuits**

## 4. Access to measurements and personalisation data

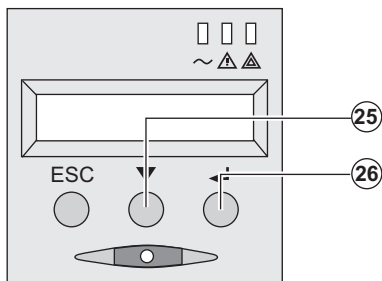
### 4.1 Display menus arrangement



### 4.2 Access to measurements

Press the scroll button **(25)** to access any status conditions and alarms, then the measurements for voltage, current, frequency, power output and battery backup time.

### 4.3 Personalisation using the control panel



- Press the scroll button **(25)** several times until the personalisation menu is reached.
- Press the Enter button **(26)** to access the different possibilities.
- Finally, confirm the selection by pressing the Enter button **(26)** again.

#### Local personalisation

Function	Factory setting	Other available settings
Language	English	French, Spanish, German, Italian, Dutch
Audio alarm	Enabled	Disabled



## 4. Access to measurements and personalisation data

### Output personalisation

Function	Factory setting	Other available settings	Comments
Output voltage <sup>(1)</sup>	230 Volts AC	200/208/220/240 Volts AC	
Frequency converter <sup>(1)</sup>	Disabled	Enabled	The connected devices are never transferred to the bypass.
Output frequency <sup>(1)</sup>	Automatic selection	50 or 60 Hz	User selectable only if the frequency-converter function is enabled.
Transfer to the bypass AC input <sup>(1)</sup>	Bypass AC power must be within tolerances	Bypass AC power may be outside tolerances	
Overload level <sup>(1)</sup>	102%	50 / 70%	Alarm if threshold is overrun.

(1) These parameters may be modified only when the **UPS** is OFF.  
Detailed comments are available in the **Personal Solution-Pac** software.

### ON/OFF personalisation

Function	Factory setting	Other available settings	Comments
Start on battery power	Enabled	Disabled	
Automatic restart	Enabled	Disabled	The UPS restarts automatically when AC power returns.
Energy savings	Disabled	Enabled	When function enabled, battery shuts down when power drops to <5%.
Detection of phase/neutral inversion (SWF)	Disabled	Enabled	When function enabled, the UPS remains OFF if the system detects phase/neutral inversion.

### Battery personalisation

Function	Factory setting	Other available settings	Comments
Battery test	Weekly test	No test / daily test / monthly test	
Low-battery warning	20%	0 to 100%	Adjustable in 1% steps.
Selection of the backup time	Automatic detection of number of battery modules	65 to 400 Ah	
Battery protection against excessive discharges	Enabled	Disabled	When function disabled, MGE UPS SYSTEMS warranty no longer applies.

## 4.4 Personalisation using external software



- ▶ Insert the **Solution-Pac** CD-ROM in the drive.
- ▶ On the first navigation screen, select "Point to Point solution" and follow the instructions on how to install the **Personal Solution-Pac** software.
- ▶ Then select "Settings", "Advanced settings" and "UPS settings".

Note that the Linux/Unix/MacOS versions of the **Personal Solution-Pac** software do not offer this possibility.

# 5. Maintenance

## 5.1 Troubleshooting



If LED **(21)** or **(22)** is ON, a fault or an alarm has occurred.  
Use the escape button **(24)** to stop the audio alarm.

	Indication	Diagnostic	Correction
1	The UPS does not start, the alphanumeric display indicates: COLD START NOK CHECK AC WIRING	The AC input power is not connected or is connected to the UPS output.	Check the UPS is correctly connected to the AC input power.
2	LED <b>(22)</b> is ON, the SWF LED <b>(11)</b> at the rear of the UPS is ON. The alphanumeric display indicates: SITE WIR. FAULT CHECK AC WIRING	Phase inversion on AC input power. The UPS does not start.	<ul style="list-style-type: none"> <li>▶ In an earthed-neutral system, to correct the wiring, disconnect and turn the AC-power outlet 180° (DIN-SCHUKO type) or call an electrician to modify the connections.</li> <li>▶ For all other types of system, disable the detection function.</li> </ul>
3	LED <b>(22)</b> is ON, the alphanumeric display indicates: NO BATTERY CHECK CONNECTION	The battery is incorrectly connected.	Check battery connections (see section 5.2, Battery-module replacement).
4	LED <b>(22)</b> is ON, the alphanumeric display indicates: BATTERY FAULT SERV REQUIRED	A fault is detected on the battery.	Replace the battery (see section 5.2, Battery-module replacement). Call the after-sales support department.
5	LED <b>(21)</b> is ON, the alphanumeric display indicates: OVERLOAD ALARM REDUCE LOAD	The load level exceeds the programmed overload level or UPS capacity.	Check the power drawn by the connected devices and disconnect any non-priority devices. Check the programmed overload level.
6	LED <b>(22)</b> is ON, the alphanumeric display indicates: LOAD UNPROTECTED OUTPUT OVERLOAD	The UPS is overloaded. Devices connected to the UPS are fed directly by the electrical network via the By-pass.	Check the power drawn by the connected devices and disconnect any non-priority devices.
7	LED <b>(22)</b> is ON, the alphanumeric display indicates: REDUCE LOAD RESTART UPS	After repetitive overloads, the UPS is locked in the By-pass position. Devices connected to the UPS are fed directly by the electrical network.	Check the power drawn by the connected devices and disconnect any non-priority devices. Shut down and restart the UPS to return to normal operation.
8	LED <b>(22)</b> is ON, the alphanumeric display indicates: OVERLOAD FAULT REDUCE LOAD	The UPS shut down automatically because of overload at the UPS output.	Check the power drawn by the connected devices and disconnect any non-priority devices.
9	LED <b>(22)</b> is ON, the alphanumeric display indicates: LOAD SHORT-CIRCU CHECK WIRING	The UPS shut down automatically because of a short-circuit at the UPS output.	Check the installation at the UPS output (wiring, fault equipment).
10	LED <b>(22)</b> is ON, the alphanumeric display indicates: INTERNAL FAULT SERV REQUIRED	A UPS internal fault has occurred. There are two possible situations: <ul style="list-style-type: none"> <li>▶ the load is still supplied, but directly with AC power via the bypass,</li> <li>▶ the load is no longer supplied.</li> </ul>	Call the after-sales support department.
11	The alphanumeric display indicates: REMOTE POWER OFF RPO	Switching of the Remote Power Off (RPO) has led to the shut down of the UPS.	Replace the contact in the normal position, and press the ON/OFF button to restart.

## Troubleshooting a UPS equipped with the HotSwap MBP module



	Indication	Diagnostic	Correction
10	The load is no longer supplied when the rotary switch (49) on the <b>HotSwap MBP</b> module is set to the Bypass position.	<ul style="list-style-type: none"> <li>▶ The protected devices are connected to the UPS output instead of to the <b>HotSwap MBP</b> module.</li> <li>▶ The AC-power cord is connected to the UPS input instead of to the <b>HotSwap MBP</b> module.</li> </ul>	Check the wiring between the UPS and the <b>HotSwap MBP</b> module (see section 2.6).
11	The load is no longer supplied when the rotary switch (49) on the <b>HotSwap MBP</b> module is set to the Normal position.	<ul style="list-style-type: none"> <li>▶ The UPS is shut down.</li> <li>▶ The wiring between the UPS and the <b>HotSwap MBP</b> module is not correct.</li> </ul>	<ul style="list-style-type: none"> <li>▶ Start the UPS.</li> <li>▶ Check the wiring between the UPS and the <b>HotSwap MBP</b> module (see section 2.6).</li> </ul>
12	The load is no longer supplied if AC-power fails.	<ul style="list-style-type: none"> <li>▶ The rotary switch (49) on the <b>HotSwap MBP</b> module is set to the Bypass position.</li> <li>▶ The wiring between the UPS and the <b>HotSwap MBP</b> module is not correct.</li> </ul>	<ul style="list-style-type: none"> <li>▶ Set the rotary switch (49) on the <b>HotSwap MBP</b> module to the Normal position.</li> <li>▶ Check the wiring between the UPS and the <b>HotSwap MBP</b> module (see section 2.6).</li> </ul>

If a fault leads to UPS shutdown, press the ON/OFF button (27) to clear the fault.

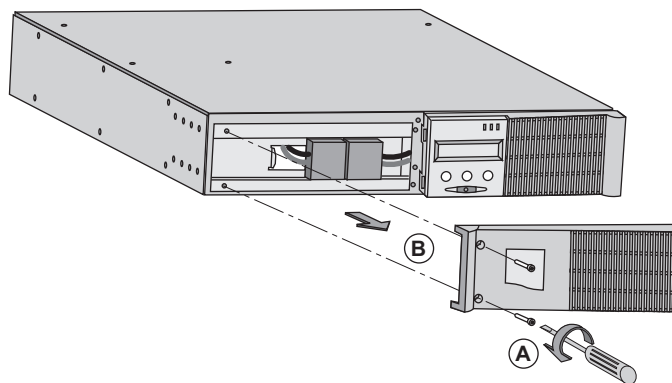
## 5.2 Battery-module replacement

### Safety recommendations

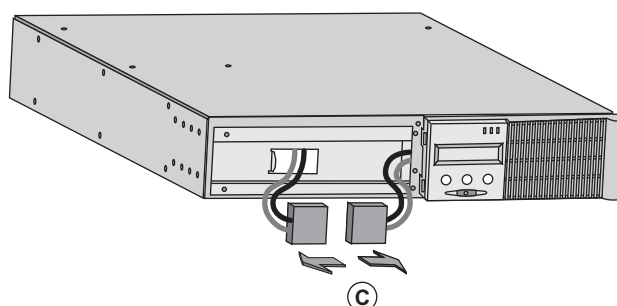
The battery can cause electrocution and high short-circuit currents. The following safety cautions are required before servicing the battery components:

- ▶ Remove watches, rings, bracelets and all other metal objects from the hands and arms,
- ▶ Use tools with an insulated handle.

### Battery-module removal

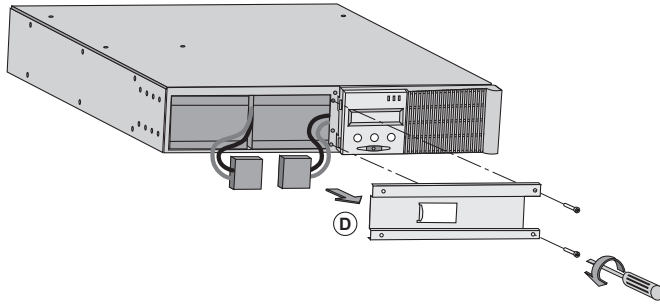


- A - Unscrew the left-hand side of the front panel (two screws).
- B - Remove the part.

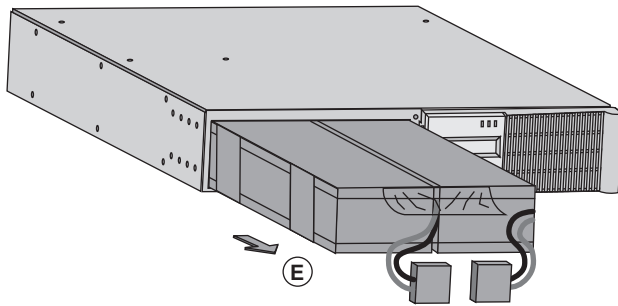


- C - Disconnect the battery block by separating the two connectors (never pull on the wires).

## 5. Maintenance



**D** - Remove the metal protection cover in front of the battery (two screws).



**E** - Pull the plastic tab to remove the battery block and replace it.

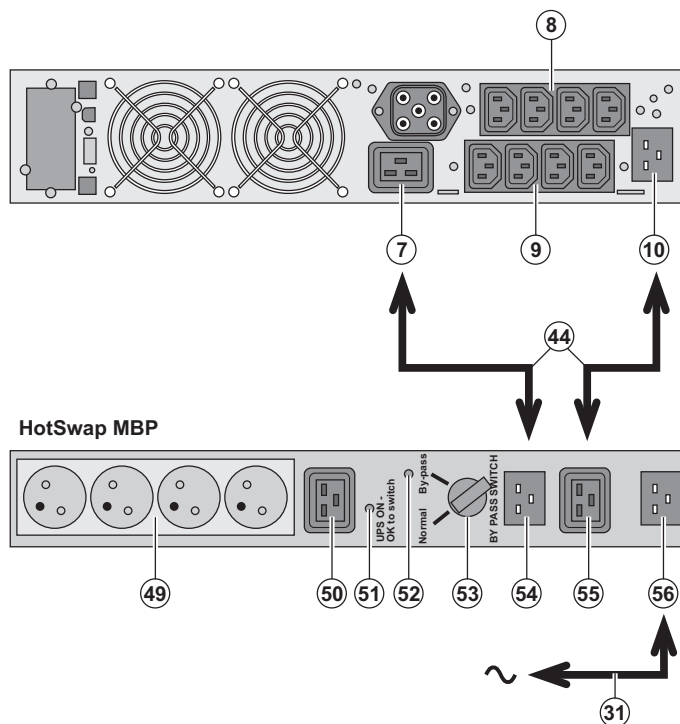
### Mounting the new battery module

Carry out the above instructions in reverse order.



- ▶ To ensure safety and high performance, use only batteries supplied by MGE UPS SYSTEMS.
- ▶ Take care to firmly press together the two parts of the connector during remounting.

### 5.3 Maintenance on a UPS equipped with the HotSwap MBP module



The **HotSwap MBP** module makes possible to service or even replace the UPS without affecting the connected loads (**HotSwap** function).

#### Maintenance:

- 1 - Set switch (53) to the Bypass position. The red LED on the **HotSwap MBP** module goes ON, indicating that the load is supplied directly with AC power.
- 2 - Stop the UPS by pressing the ON/OFF button (27) on the UPS control panel. LED (51) "UPS ON - OK to switch" goes OFF, the UPS can now be disconnected and replaced.

#### Return to normal operation:

- 1 - Check that the UPS is correctly connected to the **HotSwap MBP** module.
- 2 - Start the UPS by pressing the ON/OFF button (27) on the UPS control panel. LED (51) "UPS ON - OK to switch" on the **HotSwap MBP** module goes ON (otherwise, there is a connection error between the **HotSwap MBP** module and the UPS).
- 3 - Set switch (53) to the Normal position. The red LED on the **HotSwap MBP** module goes OFF.

## 5.4 Training centre



To fully master operation of your MGE UPS SYSTEMS product and carry out level 1 servicing, see our complete range of technical training courses, available in both French and English.

### 50 Hz training centre

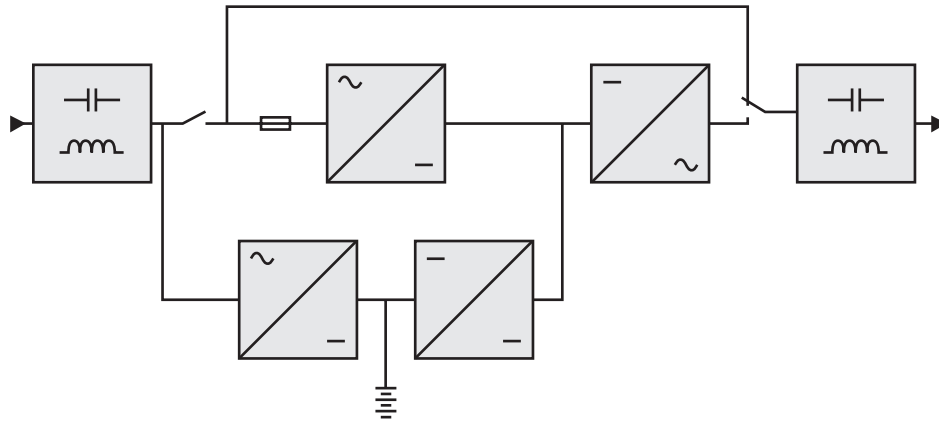
MGE UPS SYSTEMS  
140 avenue Jean-Kuntzmann  
Zirst - Montbonnot St-Martin  
38334 St-Ismier Cedex FRANCE  
  
Tel. +33 (0)4 76 18 34 14  
Fax +33 (0)4 76 18 45 21  
training@mgeups.com  
www.mgepowerlearning.com  
(Catalogue and registration available on line)

### 60 Hz training centre

MGE UPS SYSTEMS  
1660 Scenic Avenue  
Costa Mesa CA 92626 USA  
  
Tel. +1 714 557 1637  
Fax +1 714 437 9072  
technical.training@mgeups.com  
www.mgepowerlearning.com  
(Catalogue and registration available on line)

# 6. Appendices

## 6.1 Technical specifications



	Pulsar M 2200	Pulsar M 3000	Pulsar M 3000 XL	Pulsar M EXB
<b>Output power</b>	2200 VA <sup>(1)</sup> / 1980 W	3000 VA <sup>(2)</sup> / 2700 W <sup>(3)</sup>	3000 VA <sup>(2)</sup> / 2700 W	
<b>Electrical supply network</b> <ul style="list-style-type: none"> <li>▶ Rated input voltage</li> <li>▶ Input voltage range</li> <li>▶ Frequency</li> <li>▶ Power factor</li> <li>▶ Leakage current</li> </ul>	Single phase 230 V 110 / 140 / 200 V to 284 V <sup>(4)</sup> 50/60 Hz (autoselection) > 0.95 < 2 mA			
<b>Load output</b> <ul style="list-style-type: none"> <li>▶ Voltage</li> <li>▶ Frequency</li> <li>▶ Harmonic distortion</li> <li>▶ Overload capacity</li> <li>▶ Current</li> </ul>	Single phase 230 V ±3% <sup>(5)</sup> 50/60 Hz ±0,5% <sup>(6)</sup> < 4% for linear load, < 6% for nonlinear load 102% continuous, 105% 20s, > 130% 1.5s			
	9.6 A <sup>(7)</sup>	13 A <sup>(8)</sup>		
<b>Battery</b>	6 x 12V - 7 Ah, sealed lead acid, maintenance free	6 x 12V - 9 Ah, sealed lead acid, maintenance free	without internal battery	Two 6 x 12 V - 9 Ah strings, sealed lead acid, maintenance free
<b>Environment</b> <ul style="list-style-type: none"> <li>▶ Operating temperature range</li> <li>▶ Relative humidity</li> <li>▶ Storage temperature range</li> <li>▶ Altitude</li> <li>▶ Noise level</li> </ul>	0°C to 40°C 20% to 90% (without condensation) -25°C to 40°C 1000 m			
	< 46 dBA		< 50 dBA	

(1) Depending on the output voltage selected: 200V / 208V / 220V / **230V** / 240V, the output power is 1980VA / 1980VA / 2200VA / **2200VA** / 2200VA.

(2) Depending on the output voltage selected: 200V / 208V / 220V / **230V** / 240V, the output power is 2700VA / 2700VA / 3000VA / **3000VA** / 3000VA.

(3) Standard output power is 2700 W, 2400 W with an **EXB** module.

(4) Values for 33% / 66% / 100% of UPS output.

(5) Programmable: 200V / 208V / 220V / **230V** / 240V using the **UPS Config** software.

(6) Frequency-converter mode is programmable using the **UPS Config** software.

(7) Depending on the output voltage selected: 200V / 208V / 220V / **230V** / 240V, the maximum output current is 9.9A / 9.5A / 10A / **9.6A** / 9.2A.

(8) Depending on the output voltage selected: 200V / 208V / 220V / **230V** / 240V, the output current is 13.5A / 13A / 13.6A / **13A** / 12.5A.

## 6.2 Glossary

<b>Bypass AC input</b>	Bypass line from the AC-power source, controlled by the UPS, used to directly supply the load if an overload or a malfunction occurs on the UPS.
<b>Backup time</b>	Time during which the load can be supplied by the UPS operating on battery power.
<b>Battery test</b>	Internal UPS test to check battery status.
<b>Equipments</b>	Devices connected to the UPS output.
<b>Excessive discharge</b>	Battery discharge beyond the permissible limit, resulting in irreversible damage to the battery.
<b>FlexPDU</b>	Module with UPS outlets for installation in a bay. There are different modules with different types of outlets.
<b>Frequency converter</b>	Operating mode used to convert the AC-power frequency between the UPS input and output (50 Hz -> 60 Hz or 60 Hz -> 50 Hz).
<b>HotSwap MBP</b>	UPS manual-bypass module for maintenance. There are different modules with different types of outlets.
<b>Low-battery warning</b>	This is a battery-voltage level indicating that battery power is low and that the user must take action in light of the imminent break in the supply of power to the load.
<b>Normal AC input</b>	The AC-power line supplying the UPS under normal conditions.
<b>Percent load</b>	Ratio of the power effectively drawn by the load to the maximum output of the UPS.
<b>Personalisation</b>	It is possible to modify certain UPS parameters set in the factory. Certain UPS functions can also be modified by the <b>Personal Solution-Pac</b> software to better suit user needs.
<b>Programmable outlets</b>	These outlets can be automatically shut down during operation on battery power (shutdown time delays can be programmed with the <b>Personal Solution Pac</b> software). The UPS has two sets of two programmable outlets.
<b>Start on battery power</b>	The devices connected to the UPS can be started even if AC power is not available. The UPS operates on battery power alone.
<b>UPS</b>	Uninterruptible Power System.
<b>UPS ON/OFF controlled by software</b>	This function enables or disables initiation of UPS ON/OFF control sequences by computer power management software.

**MGE UPS SYSTEMS**

**T H E U N I N T E R R U P T I B L E P O W E R P R O V I D E R**

---

140, Avenue Jean Kuntzmann  
ZIRST - Montbonnot St Martin  
38334 - Saint Ismier Cedex - France  
[www.mgeups.com](http://www.mgeups.com)

**M G E**  
UPS SYSTEMS

3400776EN/AB

Download from [Www.Somanuals.com](http://Www.Somanuals.com). All Manuals Search And Download.



## Free Manuals Download Website

<http://myh66.com>

<http://usermanuals.us>

<http://www.somanuals.com>

<http://www.4manuals.cc>

<http://www.manual-lib.com>

<http://www.404manual.com>

<http://www.luxmanual.com>

<http://aubethermostatmanual.com>

Golf course search by state

<http://golfingnear.com>

Email search by domain

<http://emailbydomain.com>

Auto manuals search

<http://auto.somanuals.com>

TV manuals search

<http://tv.somanuals.com>